

CC900G

Spare parts list

Vibratory Roller

CC900G s/n 10000303xxC004465, 10000303xxC004716-004719;
10000382xxC005327 -

Engine: Loncin LC2V78F



CLICK HERE TO **DOWNLOAD** THE COMPLETE MANUAL

- Thank you very much for reading the preview of the manual.
- You can download the complete manual from: www.heydownloads.com by clicking the link below



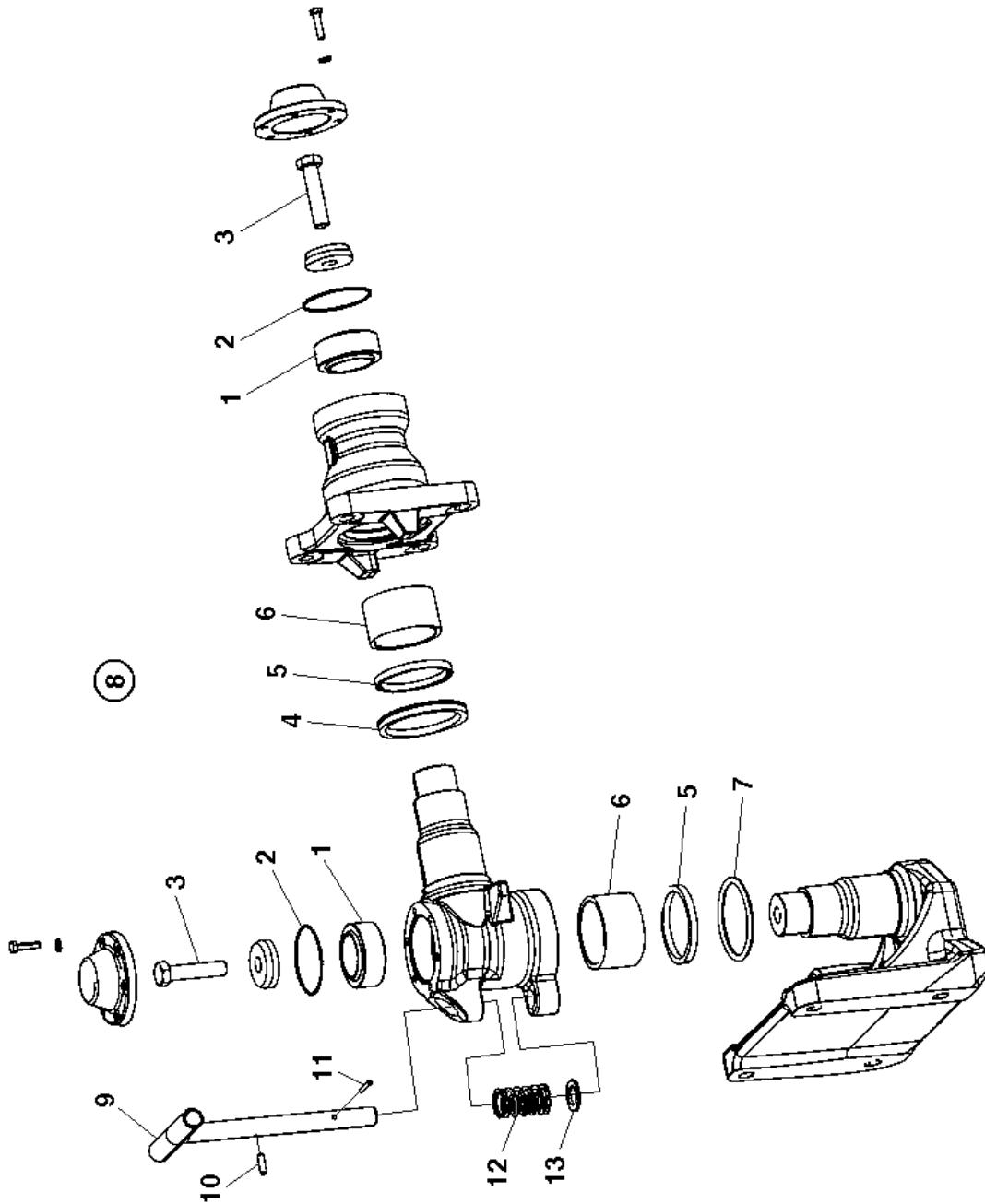
- Please note: If there is no response to CLICKING the link, please download this PDF first and then click on it.

CLICK HERE TO **DOWNLOAD** THE COMPLETE MANUAL

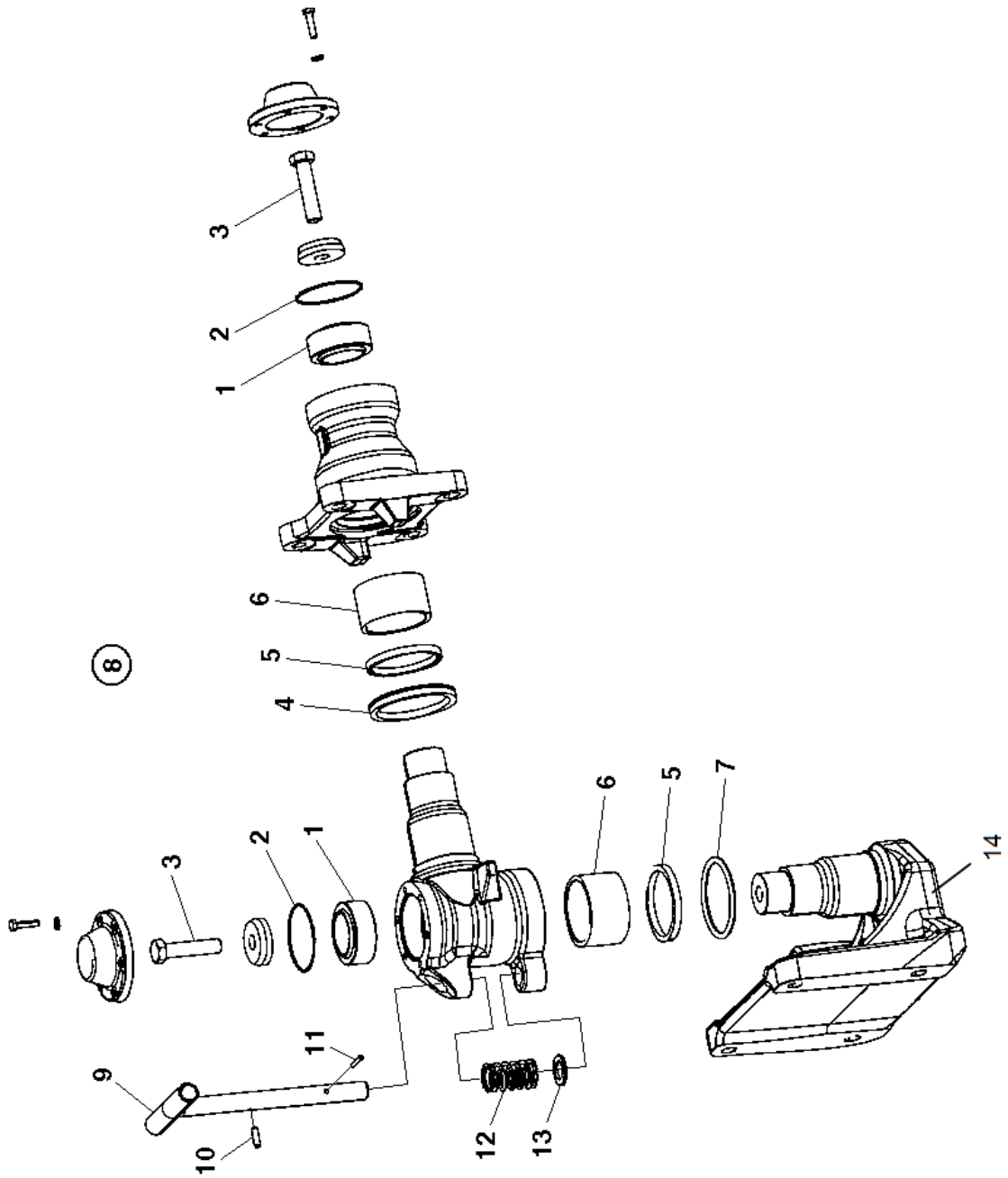
Service, repair kit 4812274607 Service kit 200/400/600/800 hours

NO EXPLODED VIEW
AVAILABLE
FOR THIS BOM

Service, repair kit 4700945928 Repair kit, Steering hitch



Frames 4700387057 Hitch



Refer to Parts Online for the most up to date information. The printed information might be outdated.
Sun Sep 06 23:11:21 MDT 2015

Comments for Page: Sprinkler system

(L)OCAL REMARKS

A | en_US | L = 20 mm

B | en_US | L = 1000 mm

C | en_US | L = 1200 mm

D | en_US | L = 60 mm

E | en_US | L = 220 mm

F | en_US | L = 370 mm

G | en_US | L = 270 mm

H | en_US | Option

CLICK HERE TO **DOWNLOAD** THE COMPLETE MANUAL

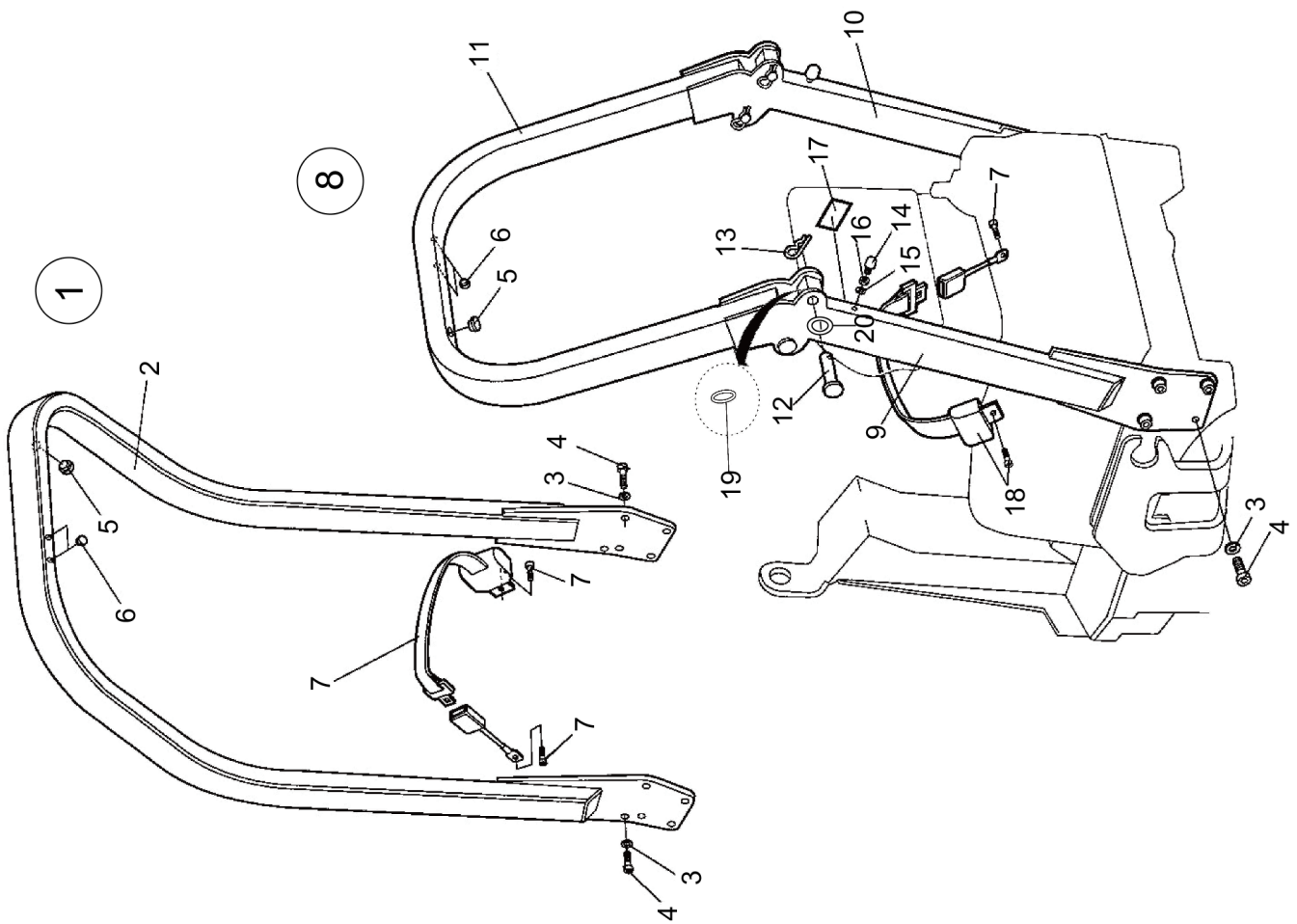
- Thank you very much for reading the preview of the manual.
- You can download the complete manual from: www.heydownloads.com by clicking the link below



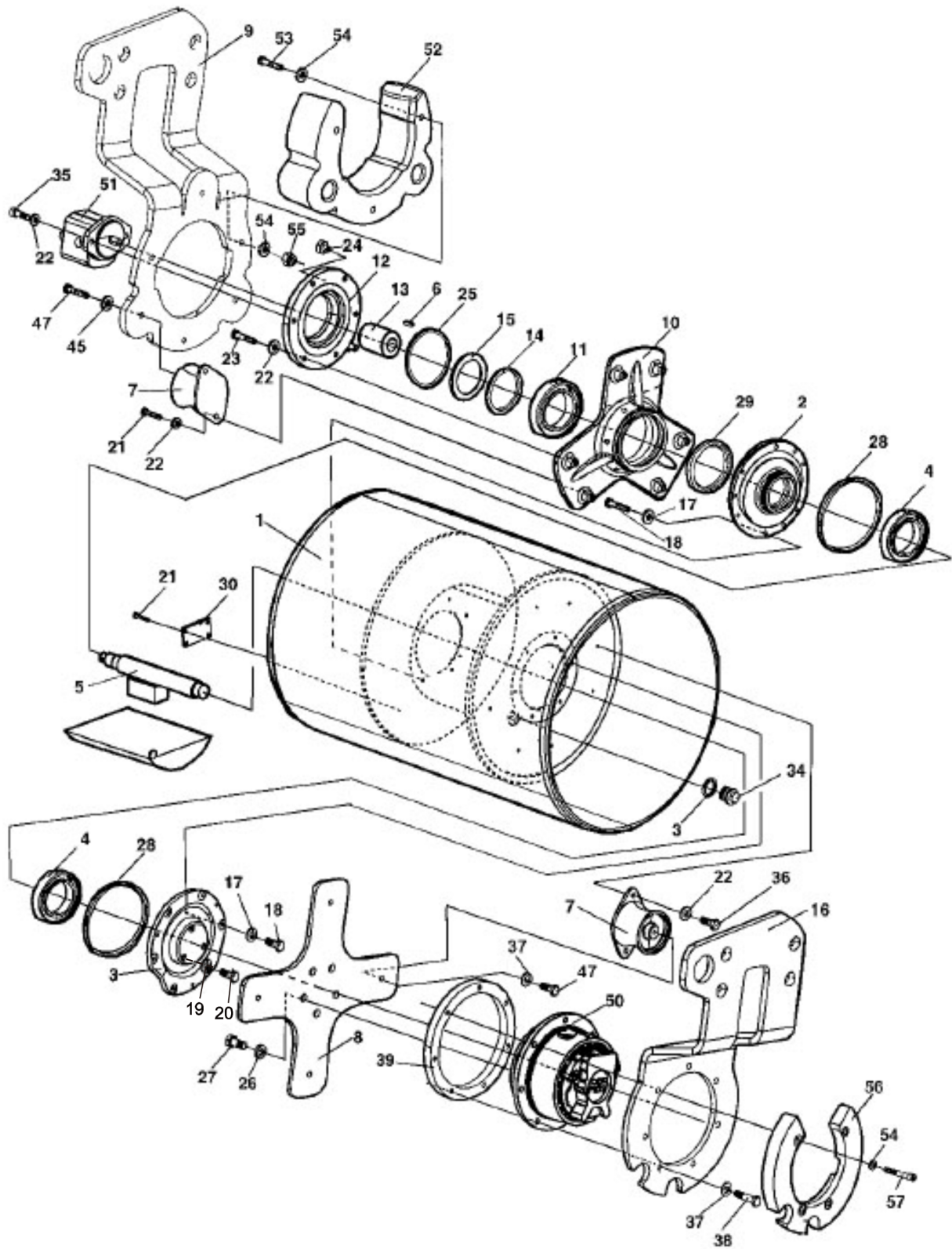
- Please note: If there is no response to CLICKING the link, please download this PDF first and then click on it.

CLICK HERE TO **DOWNLOAD** THE COMPLETE MANUAL

Operator platform Rops



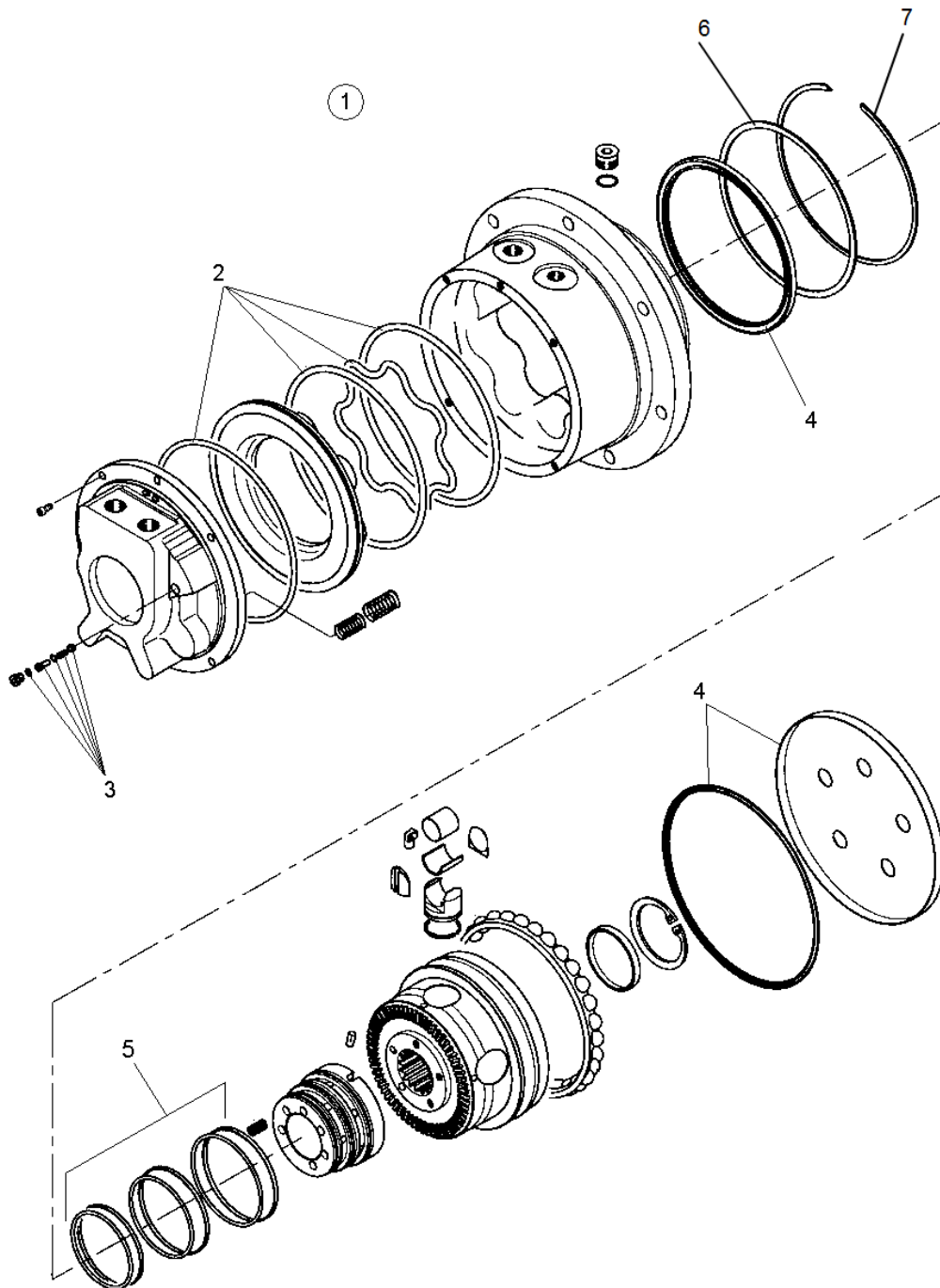
Drive Drum



Refer to Parts Online for the most up to date information. The printed information might be outdated.

Sun Sep 06 23:11:32 MDT 2015

Hydraulic propulsion and brake system motor 4700387270 Hydraulic motor



G | en_US | See section "Hydraulic steering"

Option / accessories 4812266106 Fuel oil gauge and display alarm option

**NO DRAWING
AVAILABLE
FOR THIS BOM**

CLICK HERE TO **DOWNLOAD** THE COMPLETE MANUAL

- Thank you very much for reading the preview of the manual.
- You can download the complete manual from: www.heydownloads.com by clicking the link below



- Please note: If there is no response to CLICKING the link, please download this PDF first and then click on it.

CLICK HERE TO **DOWNLOAD** THE COMPLETE MANUAL