

Figure 6-1. Electrical Schematic, Part No. 1405322

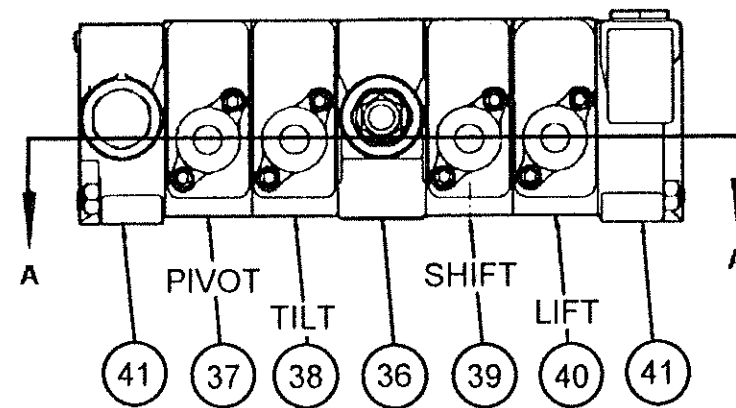
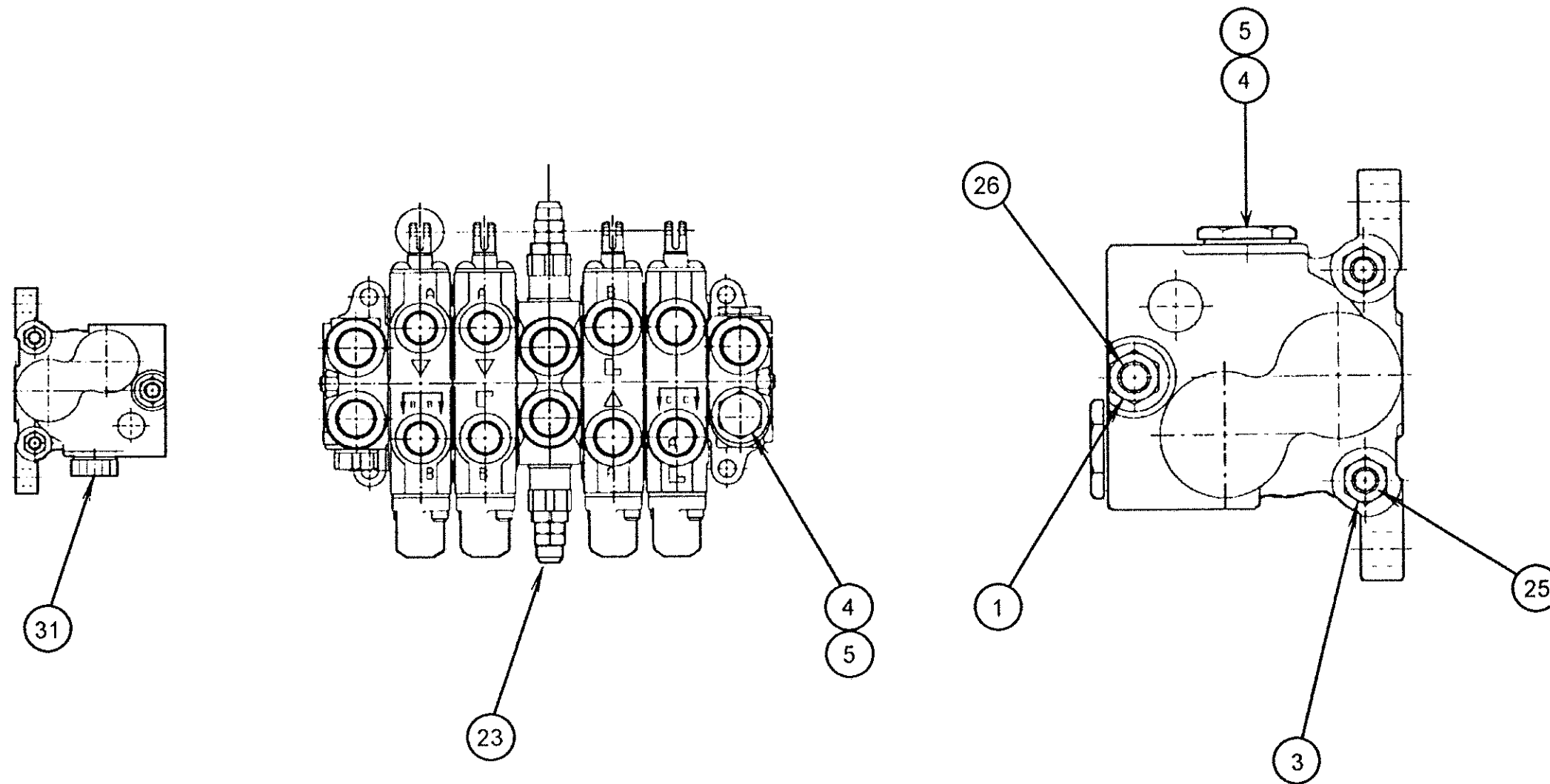
CLICK HERE TO **DOWNLOAD** THE COMPLETE MANUAL

- Thank you very much for reading the preview of the manual.
- You can download the complete manual from: www.heydownloads.com by clicking the link below



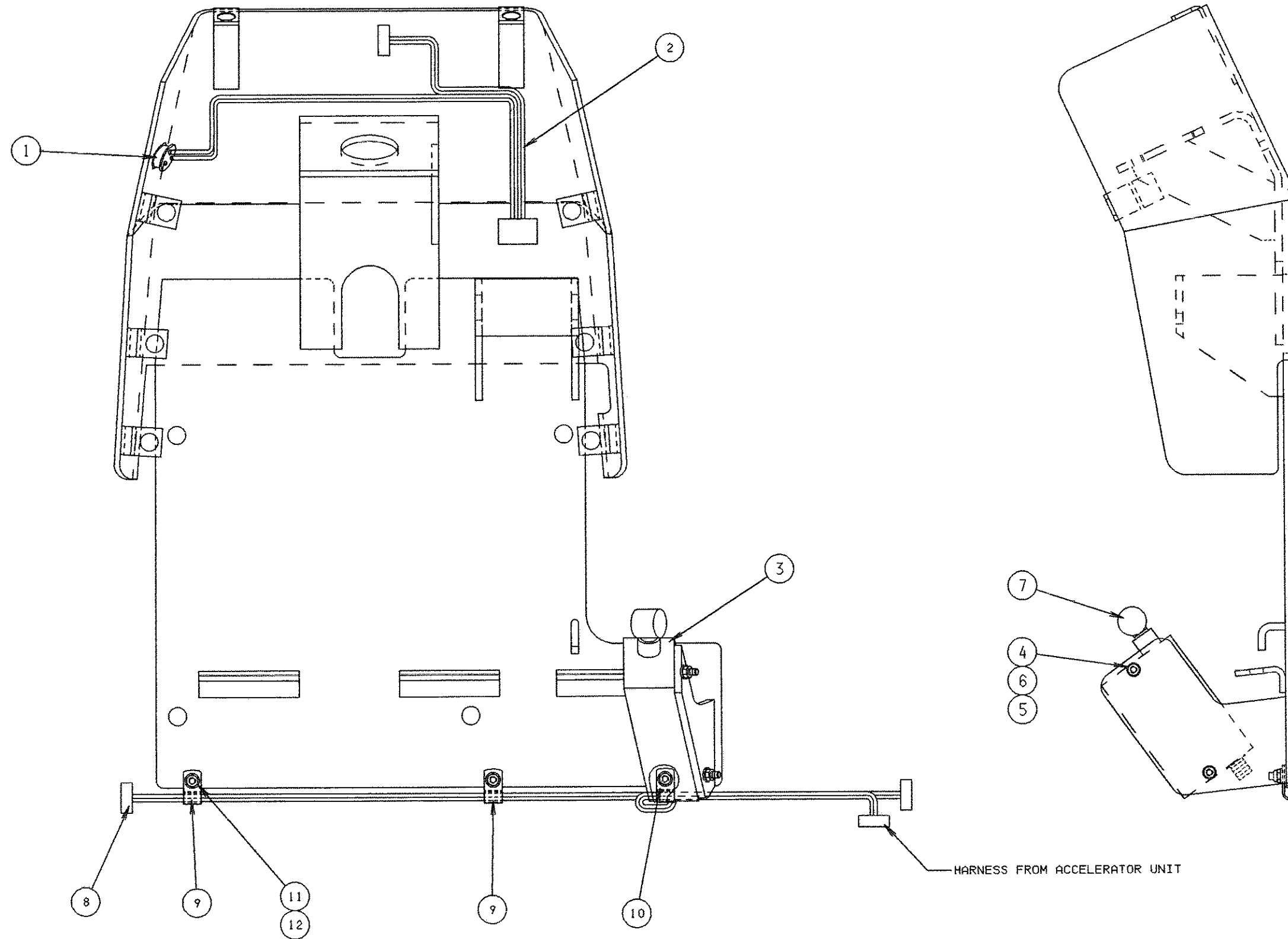
- Please note: If there is no response to CLICKING the link, please download this PDF first and then click on it.

CLICK HERE TO **DOWNLOAD** THE COMPLETE MANUAL

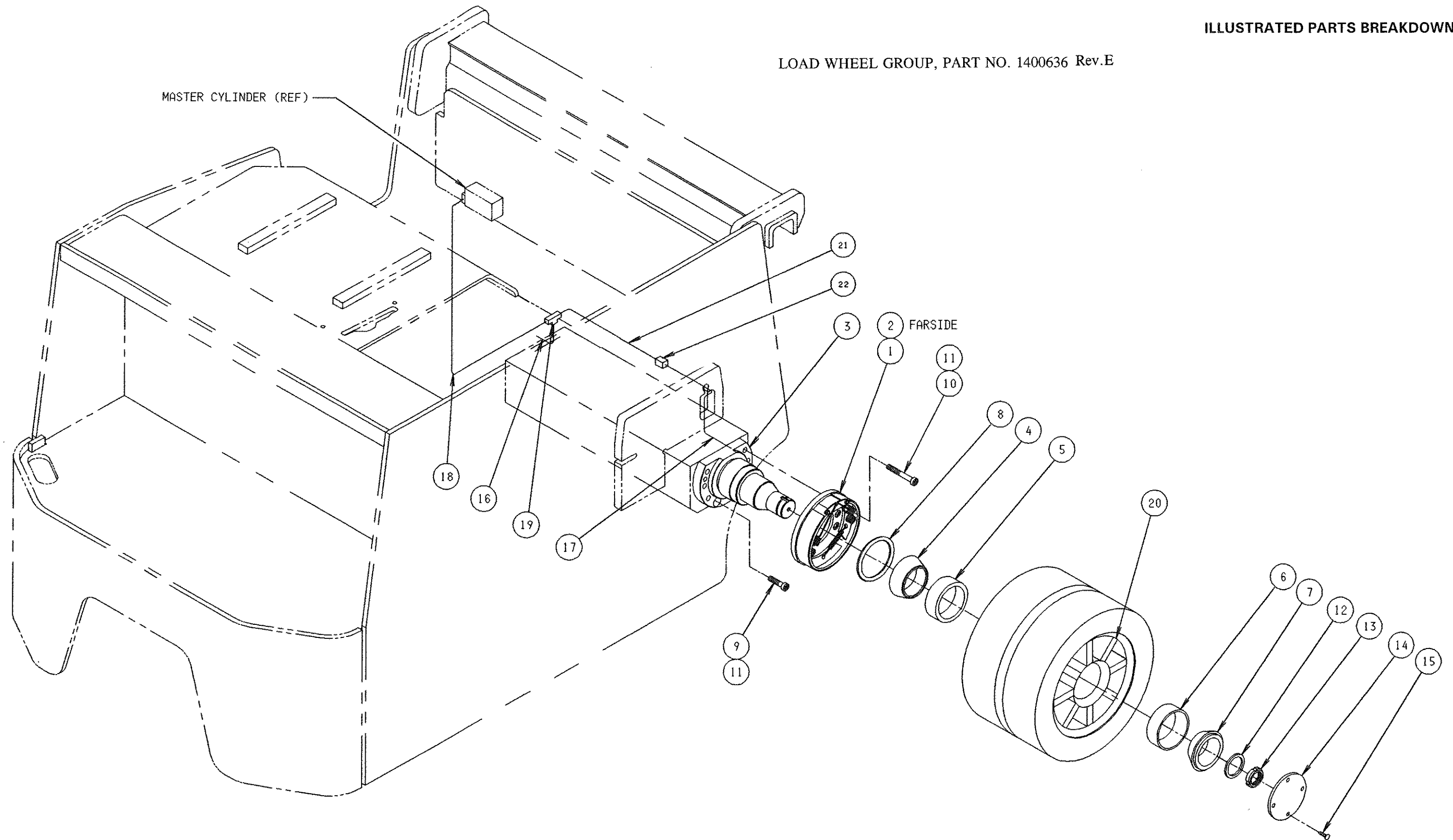


ILLUSTRATED PARTS BREAKDOWN

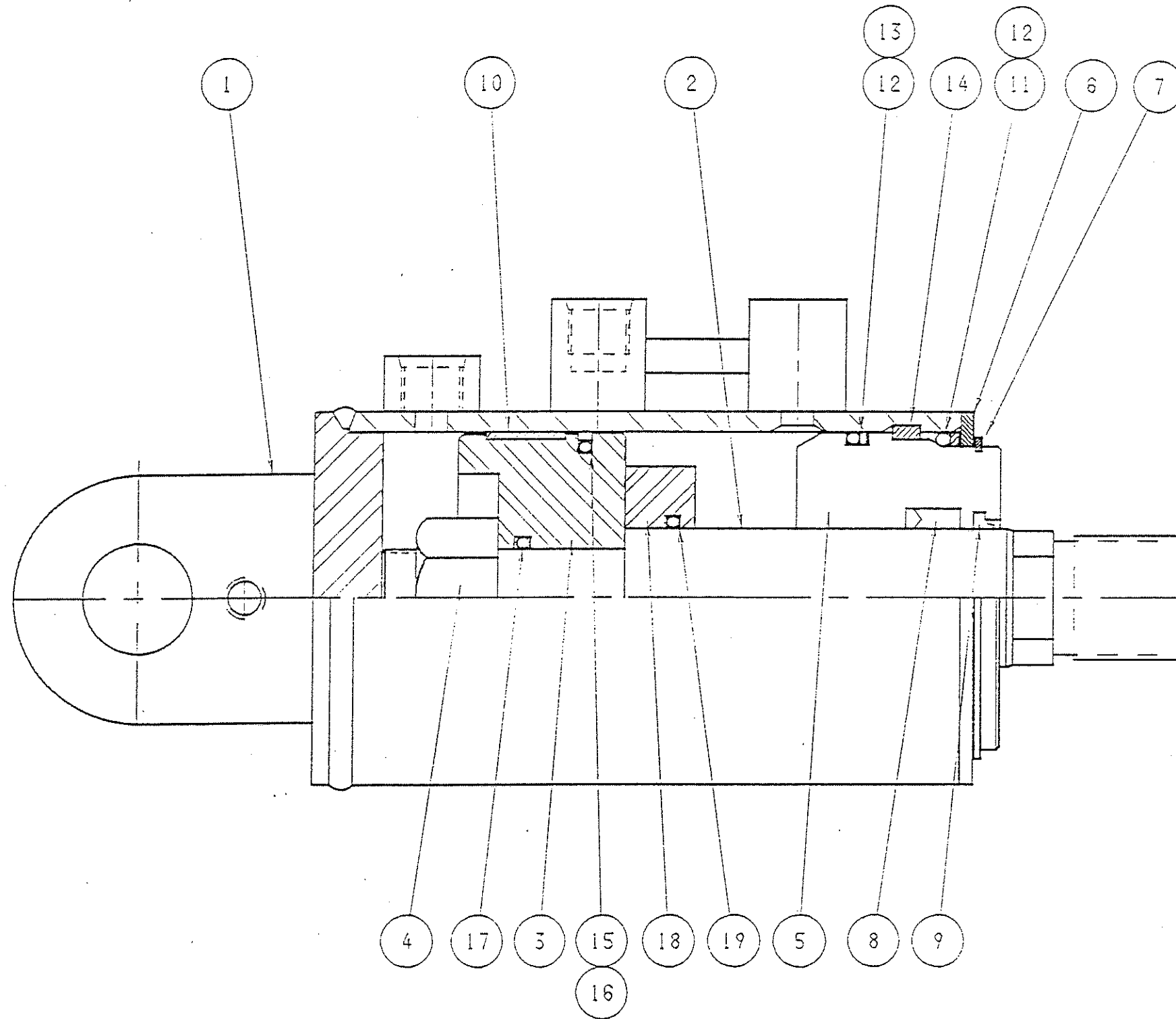
ELECTRICAL COMPONENTS PART NO.1401464 Rev.E



LOAD WHEEL GROUP, PART NO. 1400636 Rev.E



SHIFT CYLINDER, RIGHT HAND, PART NO.1402731



CLICK HERE TO **DOWNLOAD** THE COMPLETE MANUAL

- Thank you very much for reading the preview of the manual.
- You can download the complete manual from: www.heydownloads.com by clicking the link below



- Please note: If there is no response to CLICKING the link, please download this PDF first and then click on it.

CLICK HERE TO **DOWNLOAD** THE COMPLETE MANUAL