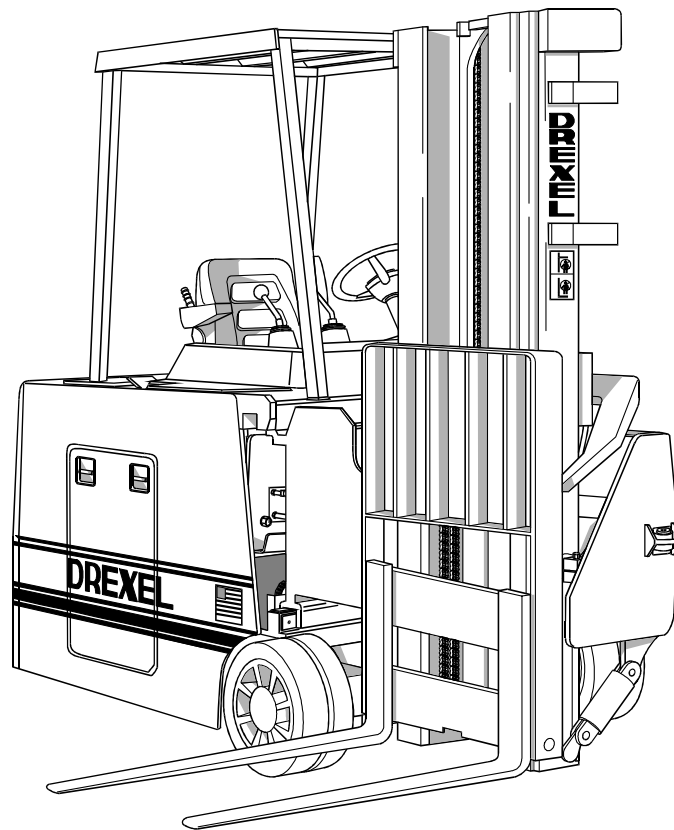


SLT30 “EE” Series Base IPB SwingMast® Lift Truck

Illustrated Parts Breakdown



Drexel Industries LLC
331 Maple Avenue
Horsham, PA 19044-0983
U.S.A.

Telephone:..... (215) 672-2200
Fax:..... (215) 773-6765
Web: www.drexeltrucks.com

Base unit: 1413775 -b, 02/01

CLICK HERE TO **DOWNLOAD** THE COMPLETE MANUAL

- Thank you very much for reading the preview of the manual.
- You can download the complete manual from: www.heydownloads.com by clicking the link below



- Please note: If there is no response to CLICKING the link, please download this PDF first and then click on it.

CLICK HERE TO **DOWNLOAD** THE COMPLETE MANUAL

Figure 8-1: Frame Position and Installation, FR18

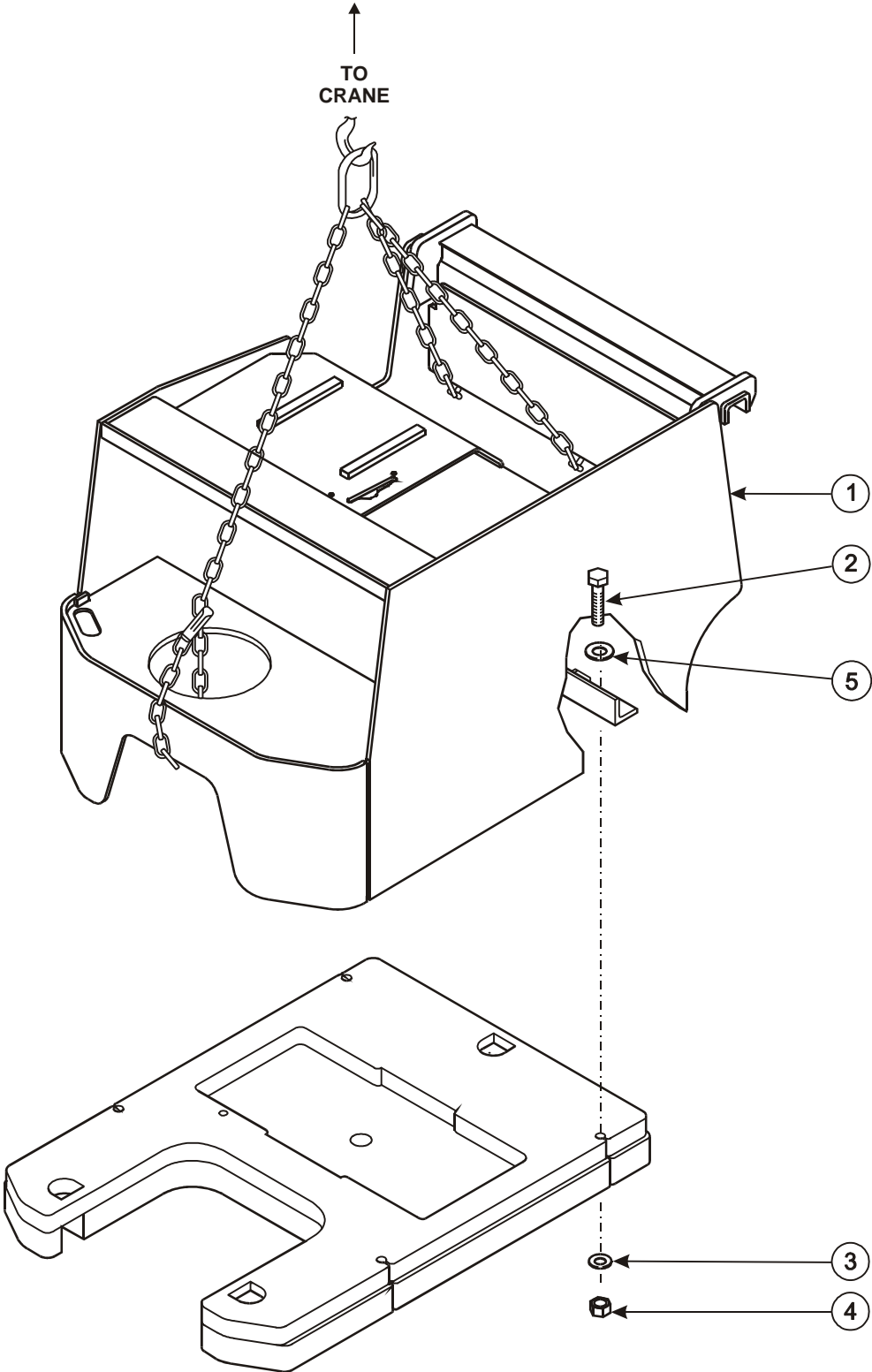
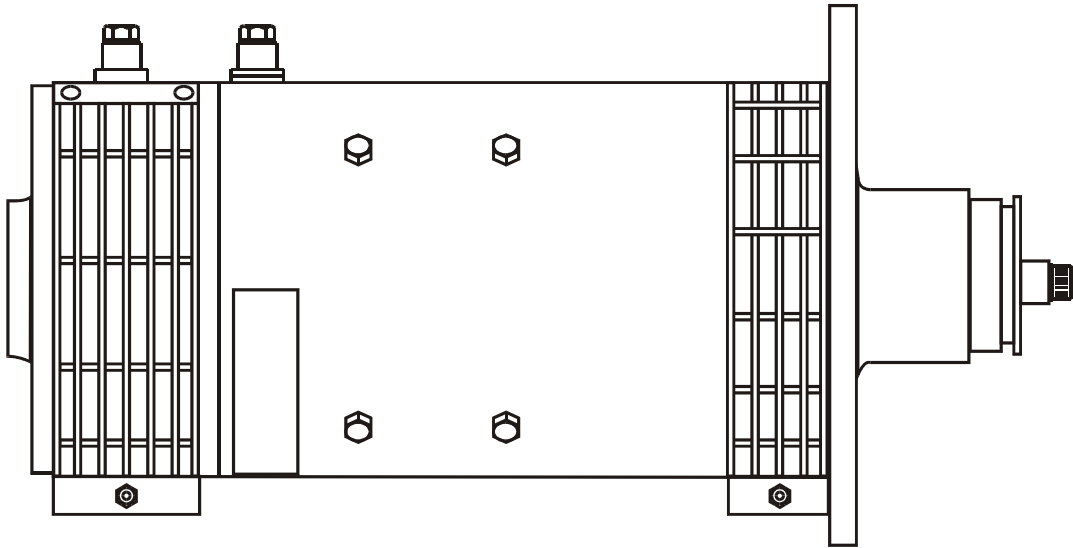


Figure 8-5: Traction Motor Assembly, p/n: 1415910-A



Press Drive Plate Studs, DA14

Item	Part No.	Qty	Description
1	1400892	12	Wheel Stud

Figure 8-12: Press Drive Plate Studs, DA14

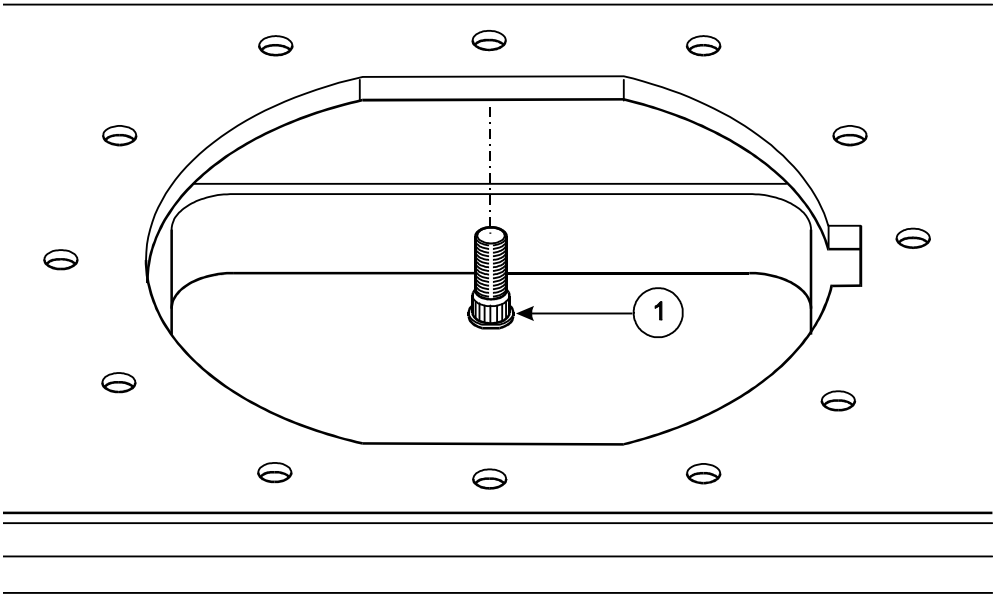
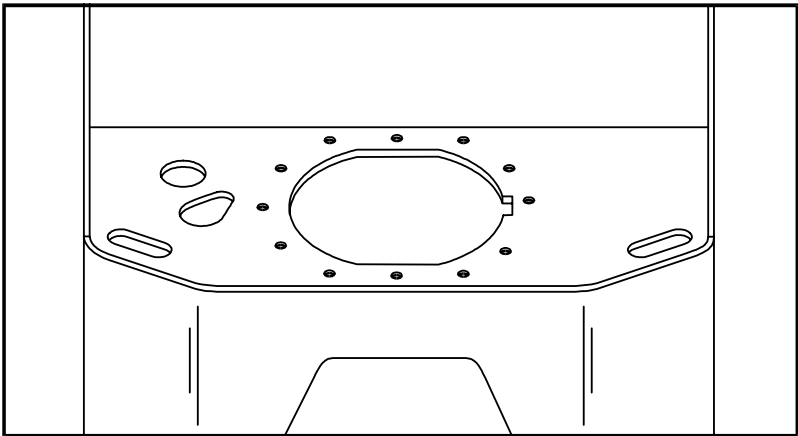
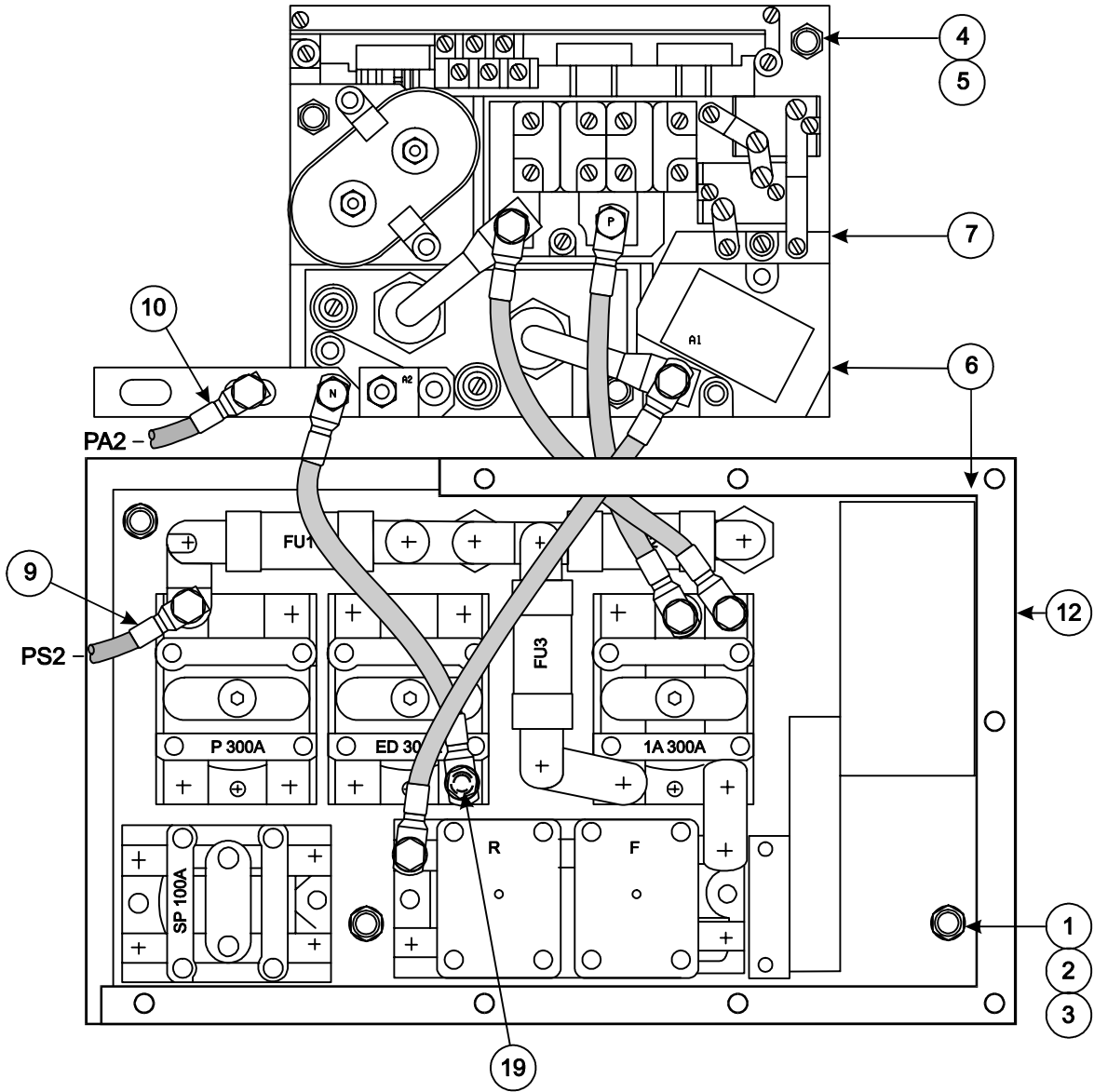
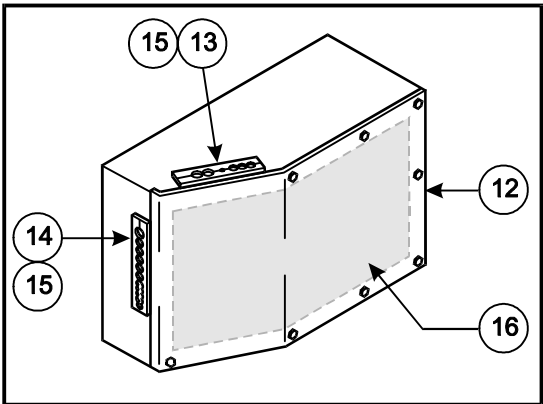


Figure 8-18: SCR Panel Installation, EL37 (sheet 1 of 2)



Contactor for 300A, 36VDC Coil, p/n: 28889-D

Item	Part No.	Qty	Description
1	28889-1	1	Base, Single Coil
2	28888-2	1	Coil, 36 VDC
3	28888-18	1	Frame, Magnet
4	21265	1	Spring, Return Blue
5	28888-3	1	Armature Assembly
6	28888-9	1	Buss Base
7	28889-12	2	Buss, Double Contact
8	28889-11	1	Buss Clamp
9	28888-4	1	Bushing
10	28888-8	1	Tip Carrier, Movable
11	28889-15	1	Tip, Moveable
12	28888-7	1	Seat, Spring
13	21253	1	Spring, Moveable Tip, Red
14	21254	1	Retainer, Spring
15	1411334	1	Washer, Brass, Flat #10, 7/16" OD, 0.036" Thick
16	51D10E	1	Lock Nut, Prev. Torque, 10-32
17	86G856E	2	Screw, Pan Head, 0.164-32 x 3.5"
18	17E8E	2	Lock Washer, #8
19	25E8E	2	Washer, Flat, #8
20	28891	0	Suppressor, 300 A, Spno, Contactor
21	28889-25	1	Kit, Contactor

See "Figure 8-22: Contactor for AH 300A, SPNO, p/n: 1401979-A" on page 49.

Ground Strap Installation, EL38

Item	Part No.	Qty	Description
1	1CM1025ER	2	Screw, Hex Head, Class 8.8
2	18EM1019ER	2	Washer, Flat, H.S. M10
3	6719	2	Strap, Ground

Figure 8-27: Ground Strap Installation, EL38

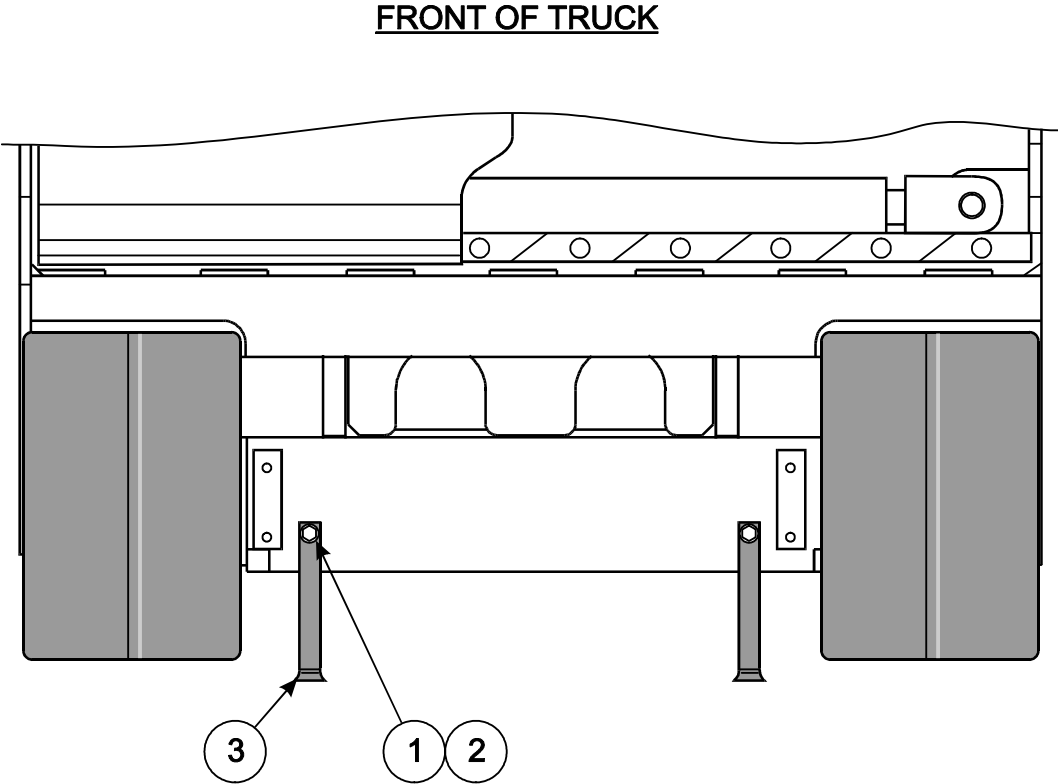
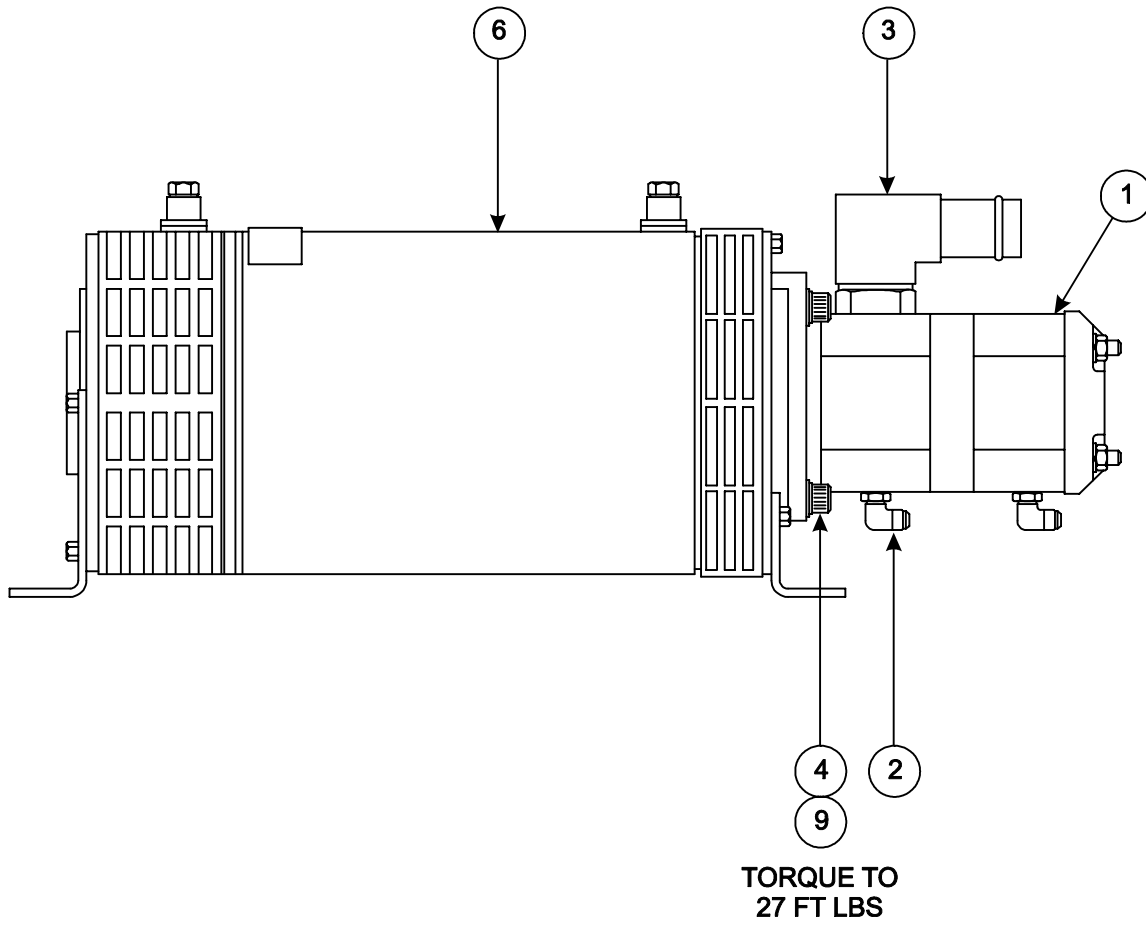


Figure 8-32: Hydraulic Pump and Motor Assembly, p/n: 1411872-C



Oil Filter Assembly, p/n: 1412142-A

Item	Part No.	Qty	Description
1	1414334	1	Filter Element, Hydraulic Oil, 10 Micron

Figure 8-37: Oil Filter Assembly, p/n: 1412142-A

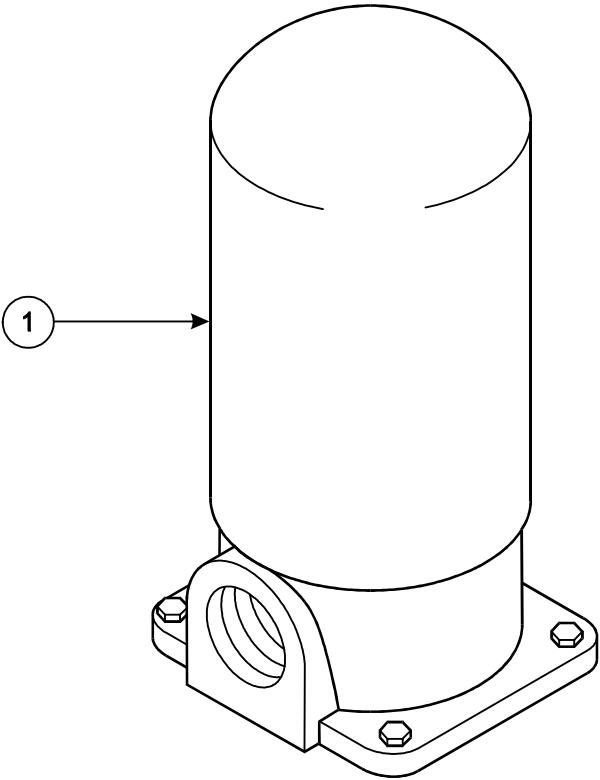


Figure 8-42: Umbilical Hoses Connect, HY46

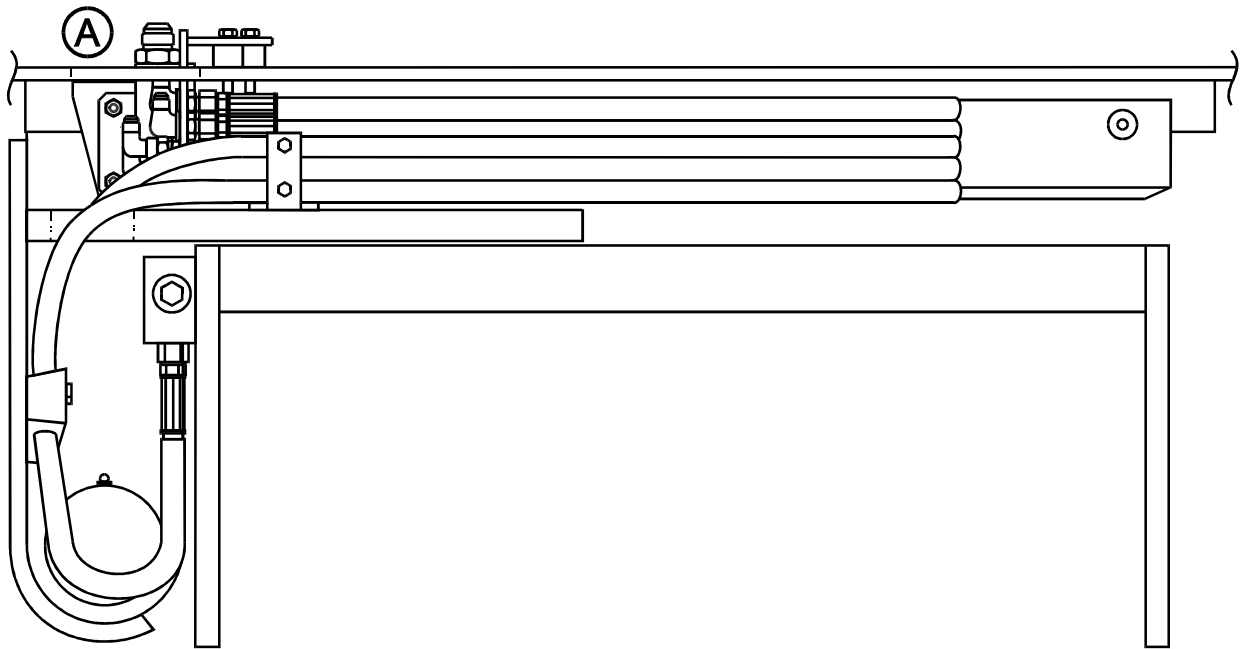
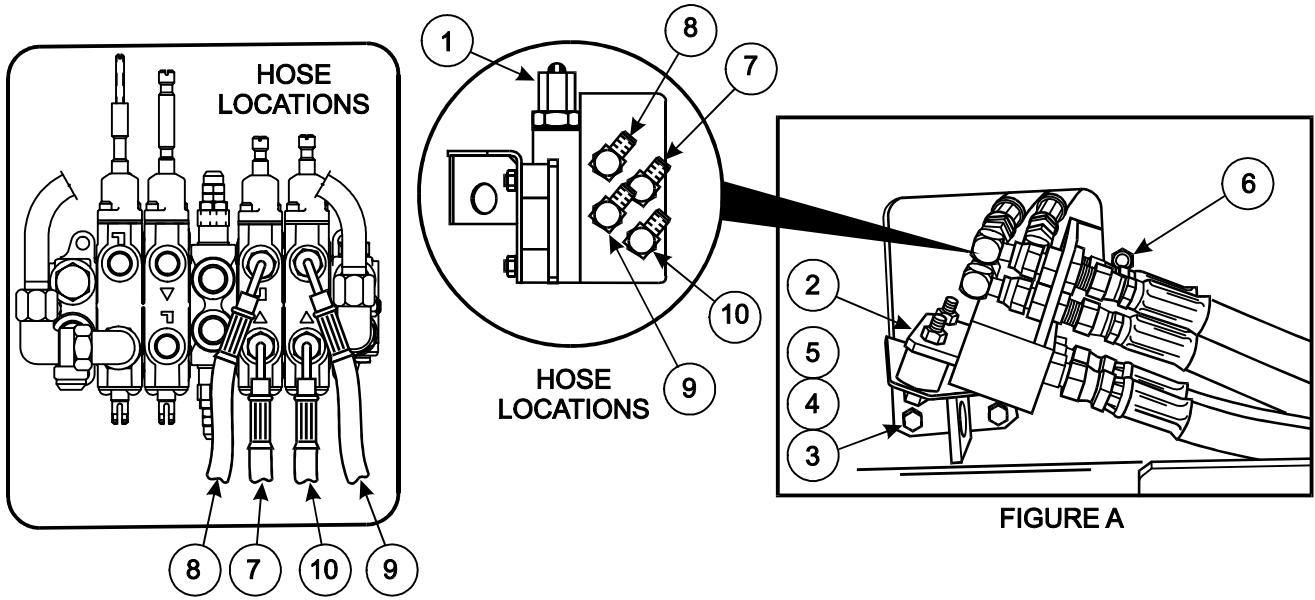
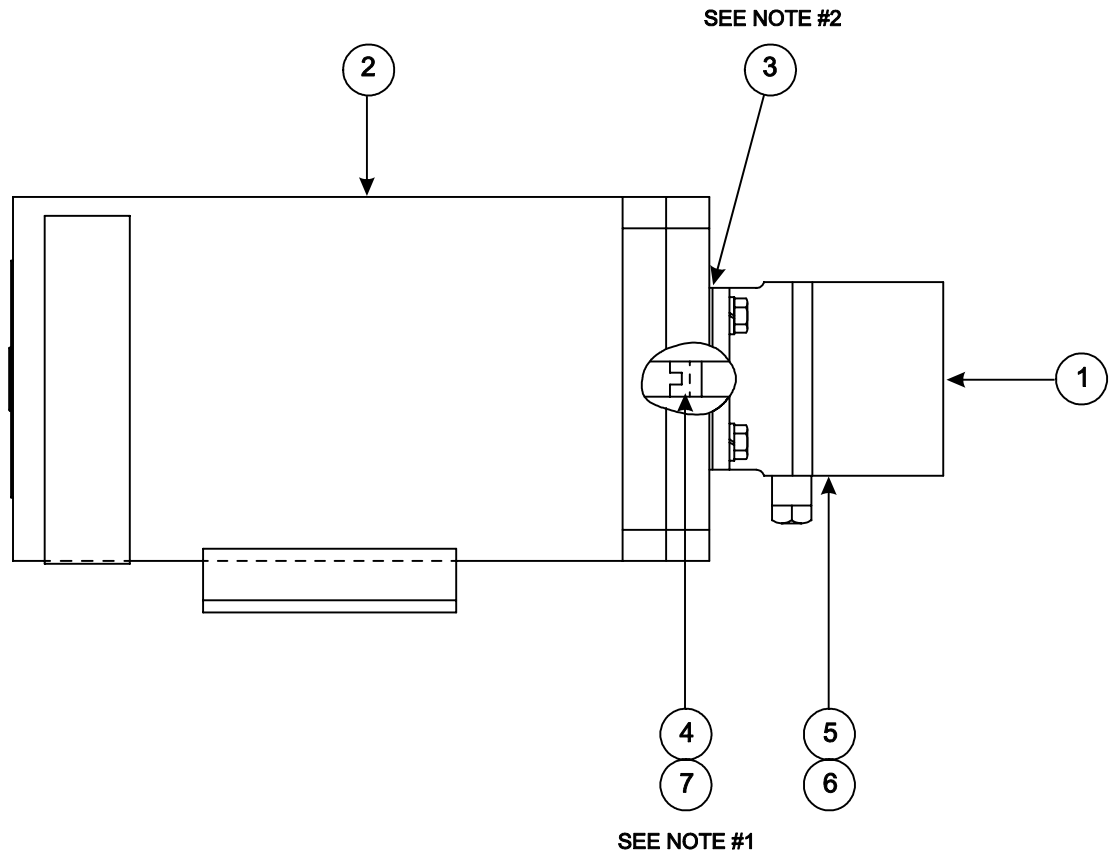


Figure 8-47: Pump and Motor Assembly, Steering, p/n: 1413444-A



NOTES:

1. MAKE SURE THAT OLDUM COUPLING (BETWEEN PUMP & MOTOR) IS LINED UP PROPERLY. CLEAN OUT OLD GREASE. GENEROUSLY COAT THE BEARING, MOTOR SHAFT SLOT & COUPLING WITH ITEM # 7 GREASE.
2. MAKE SURE THAT .031 THICK GASKET ITEM # 3 IS INSTALLED ON THE 4 BOLT MOUNT FLANGE BETWEEN PUMP & MOTOR END.

CLICK HERE TO **DOWNLOAD** THE COMPLETE MANUAL

- Thank you very much for reading the preview of the manual.
- You can download the complete manual from: www.heydownloads.com by clicking the link below



- Please note: If there is no response to CLICKING the link, please download this PDF first and then click on it.

CLICK HERE TO **DOWNLOAD** THE COMPLETE MANUAL

Figure 8-53: Steering Motor Assembly, p/n: 25950

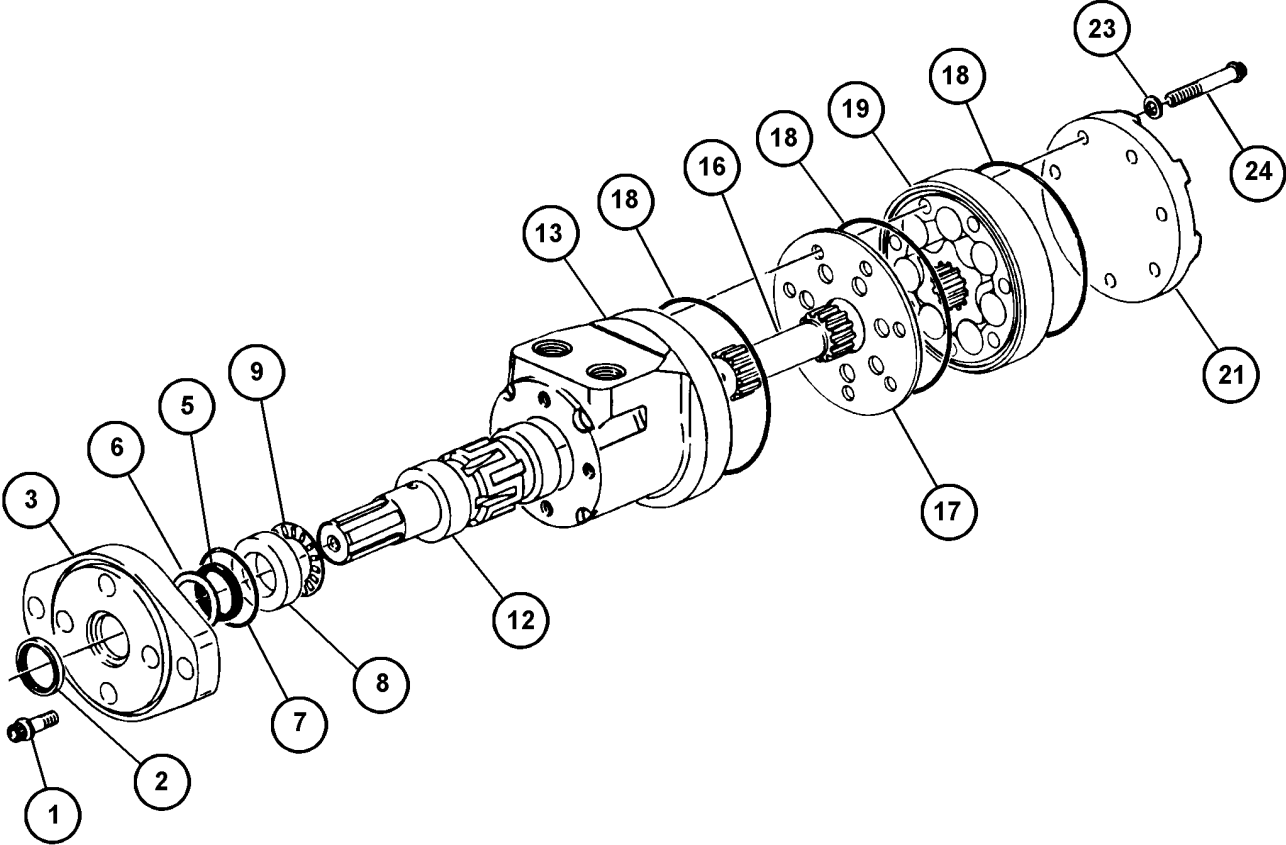


Figure 8-58: Joystick Installation, HY20

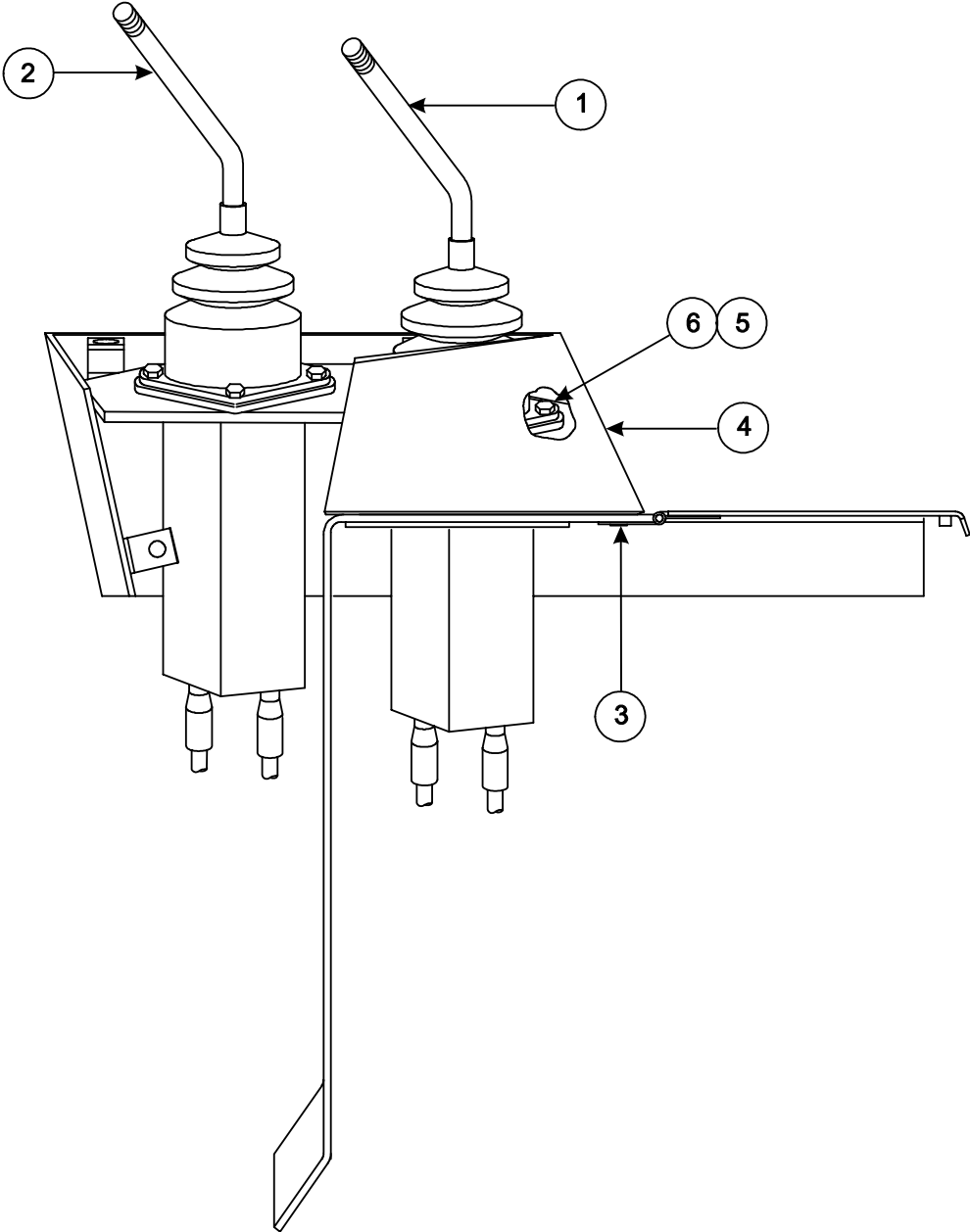


Figure 8-63: Side Console Installation, OH7

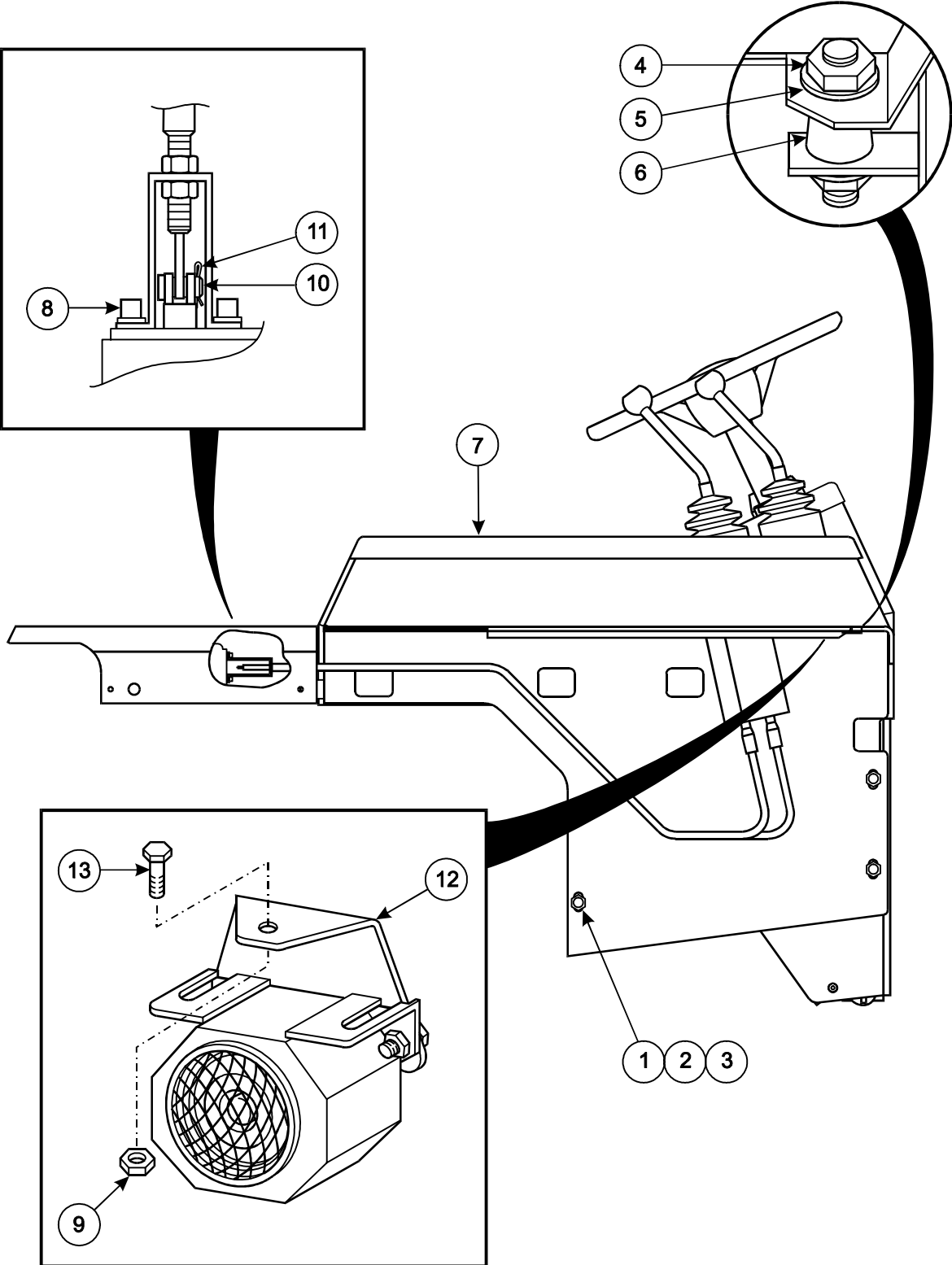


Figure 8-69: Steering Column Assembly, p/n: 1400968-D

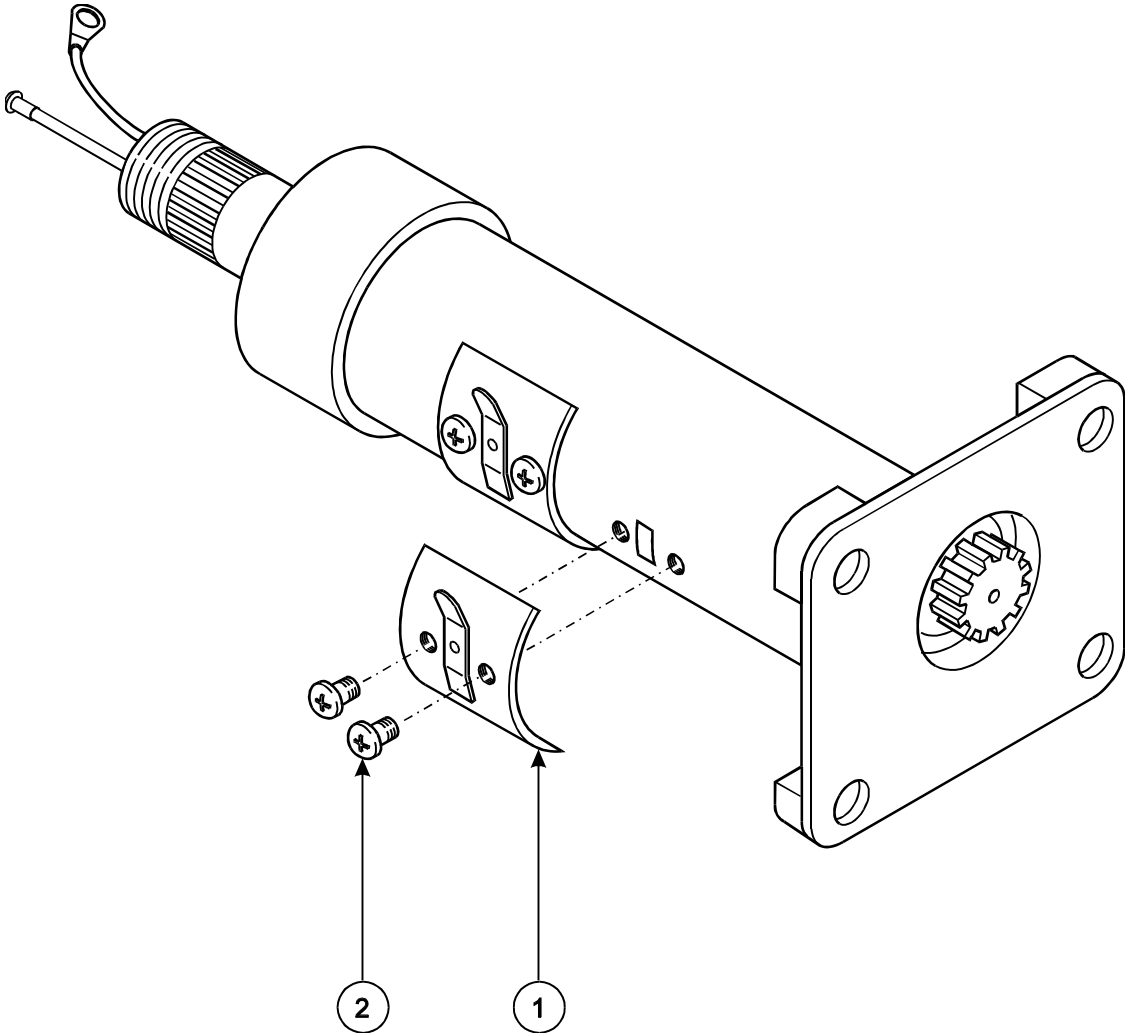


Figure 8-74: Brake Pedal Installation, SB3

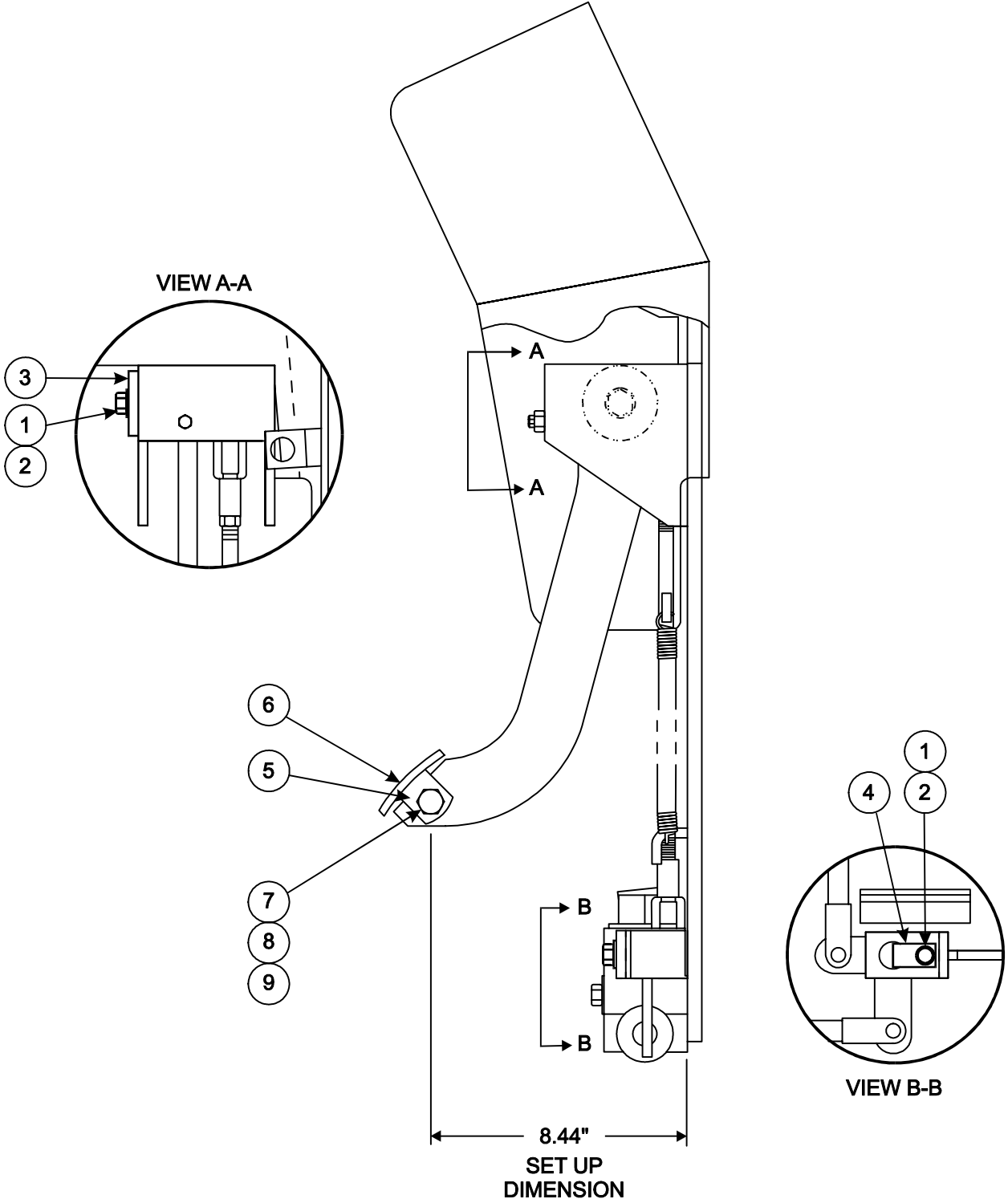


Figure 8-79: Parking Brake Sub-Assembly, PB1

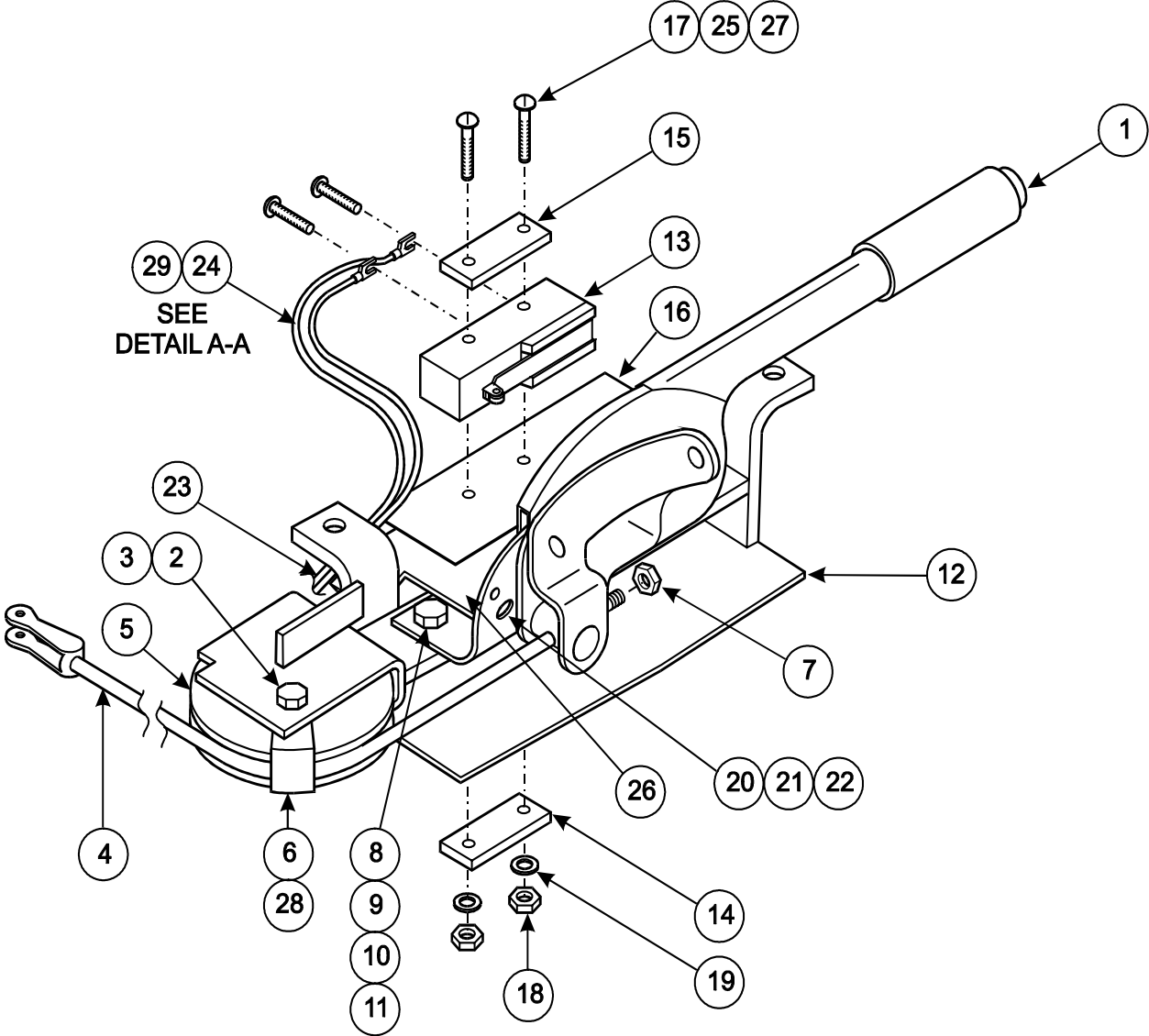
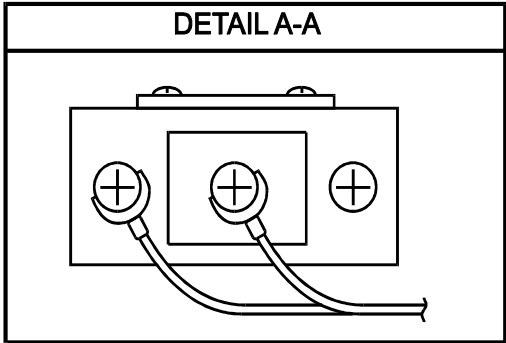


Figure 8-84: Seat Installation, ST2

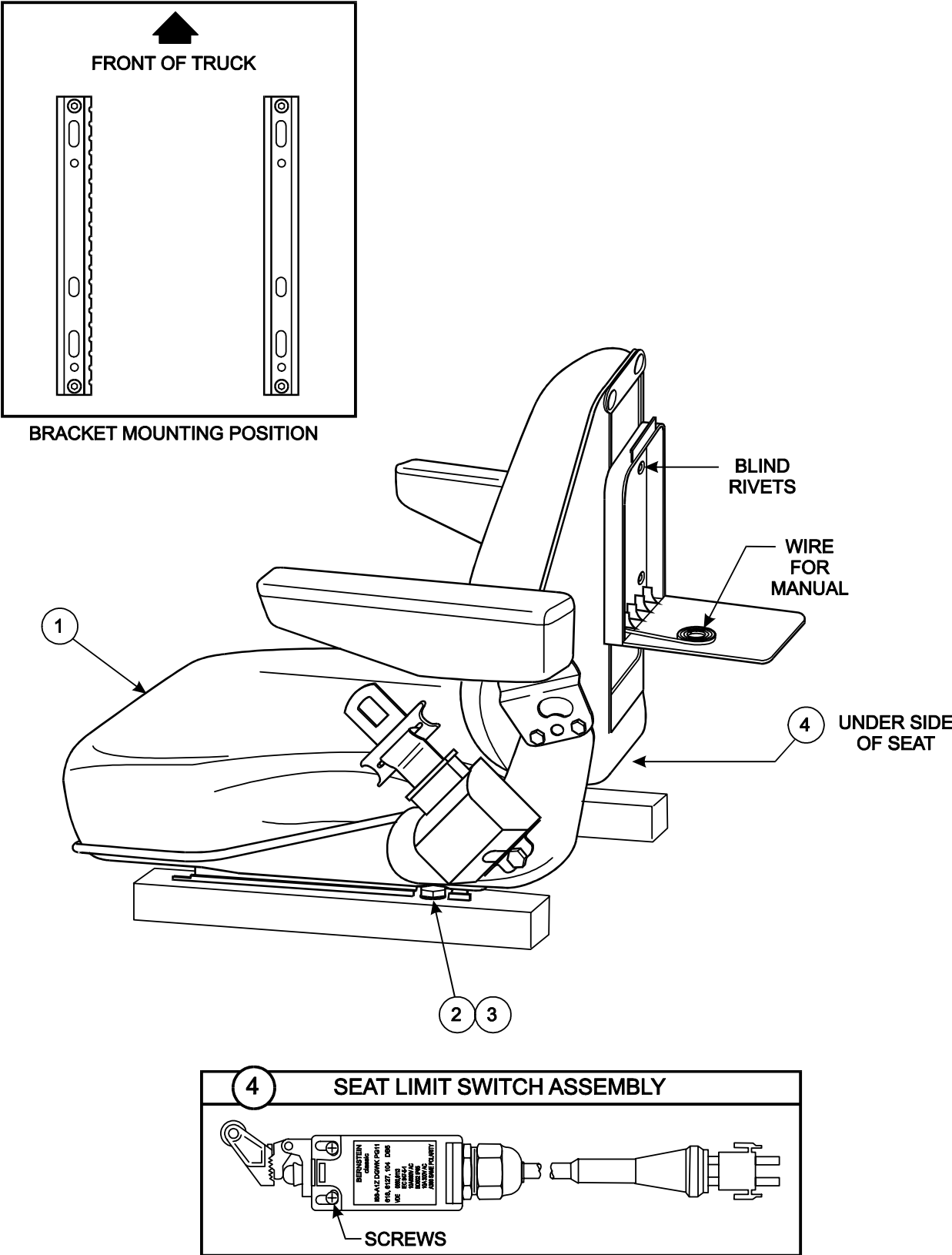


Figure 8-89: Pivot and Shift Chain Anchor Installation, PS20

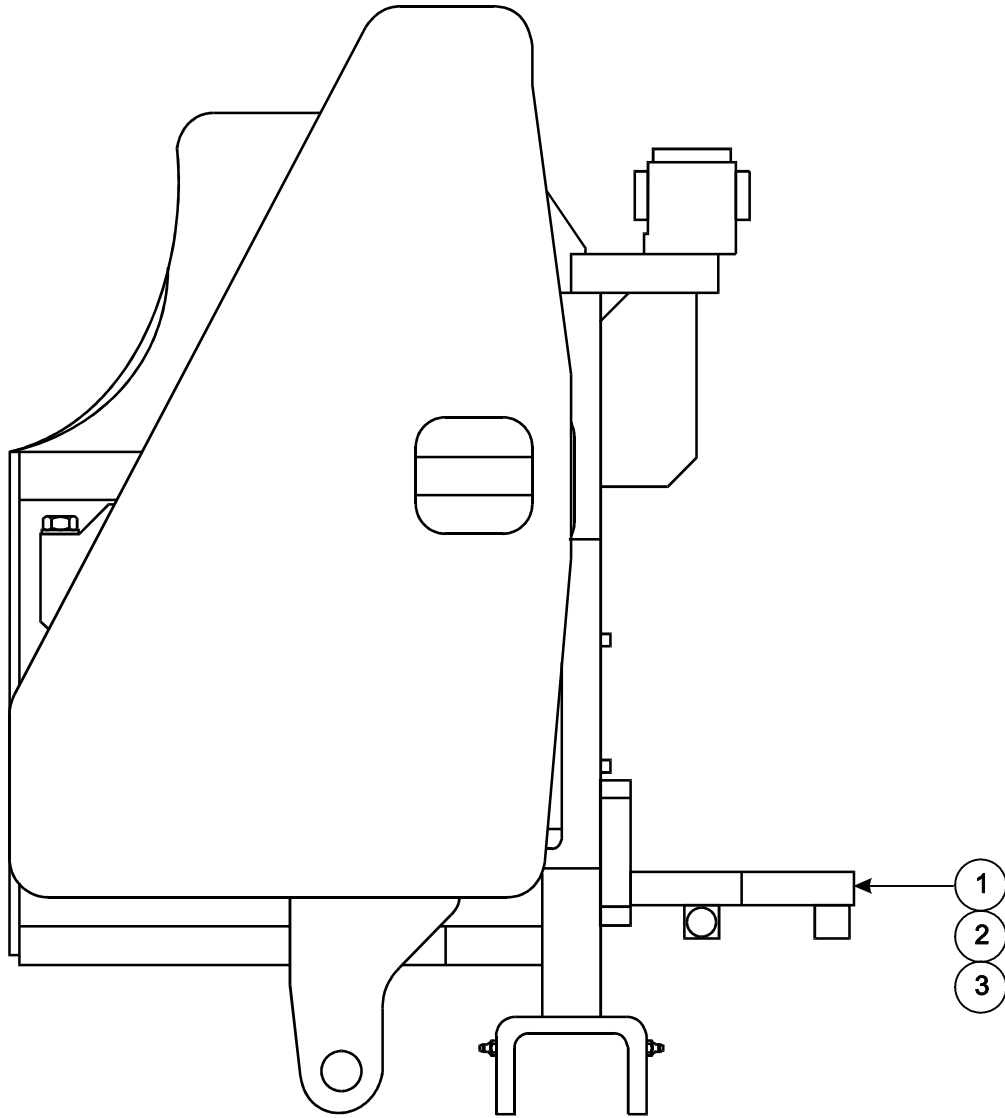


Figure 8-94: Cross Head Bearings Installation, PS1

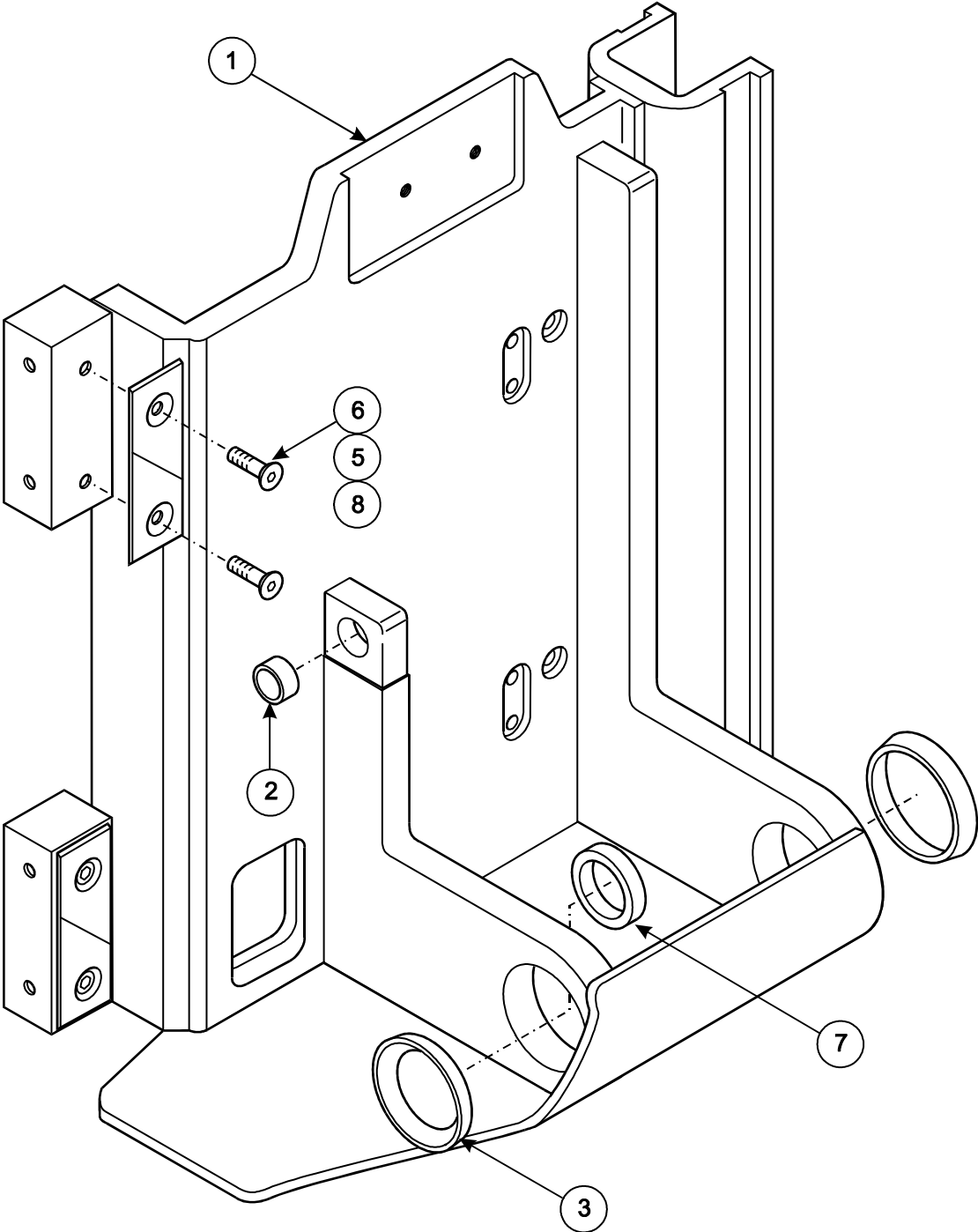


Figure 8-99: Tile Cylinder Installation, MA52

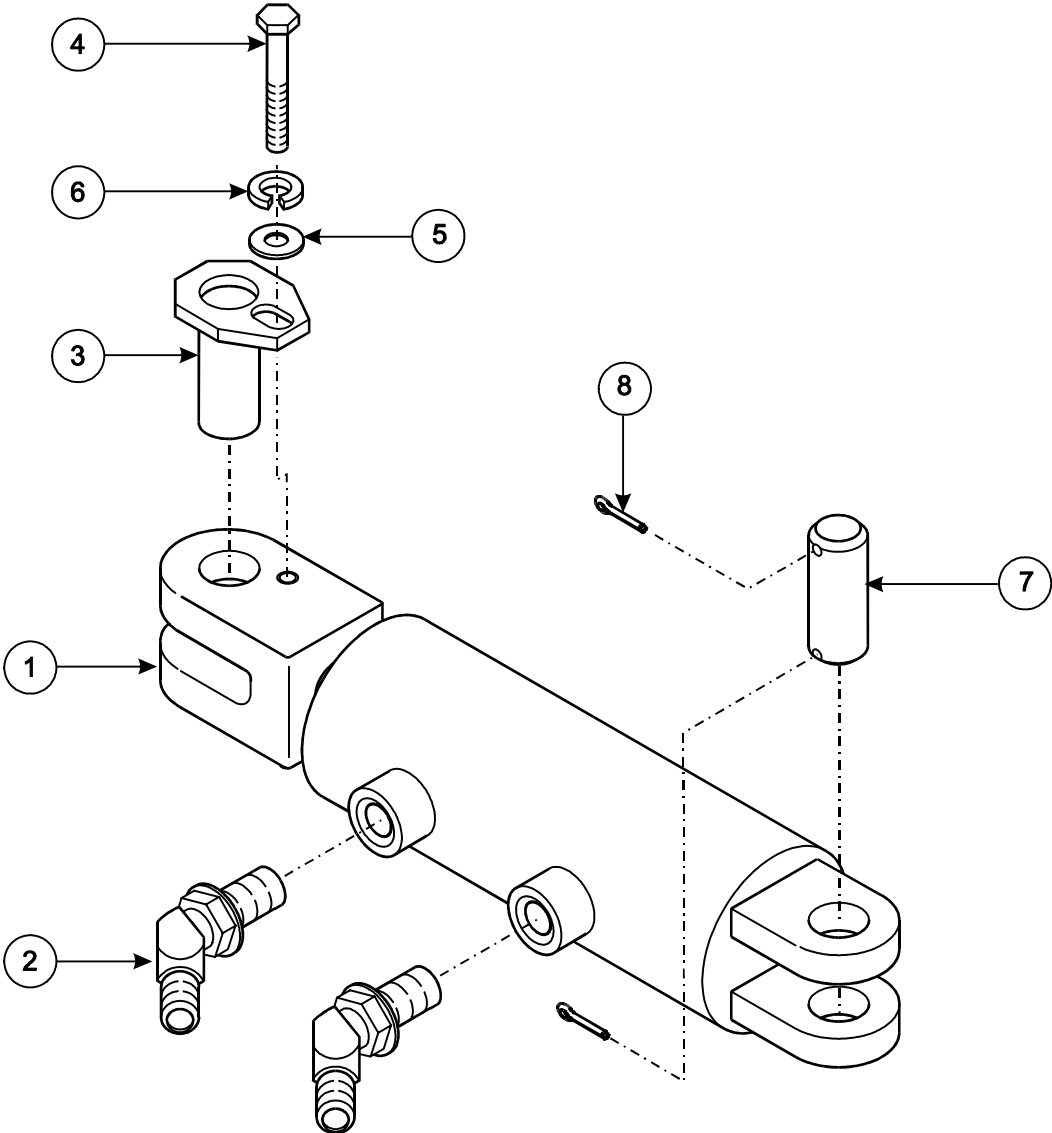


Figure 8-104: Battery Door Sub-Assembly, OH8

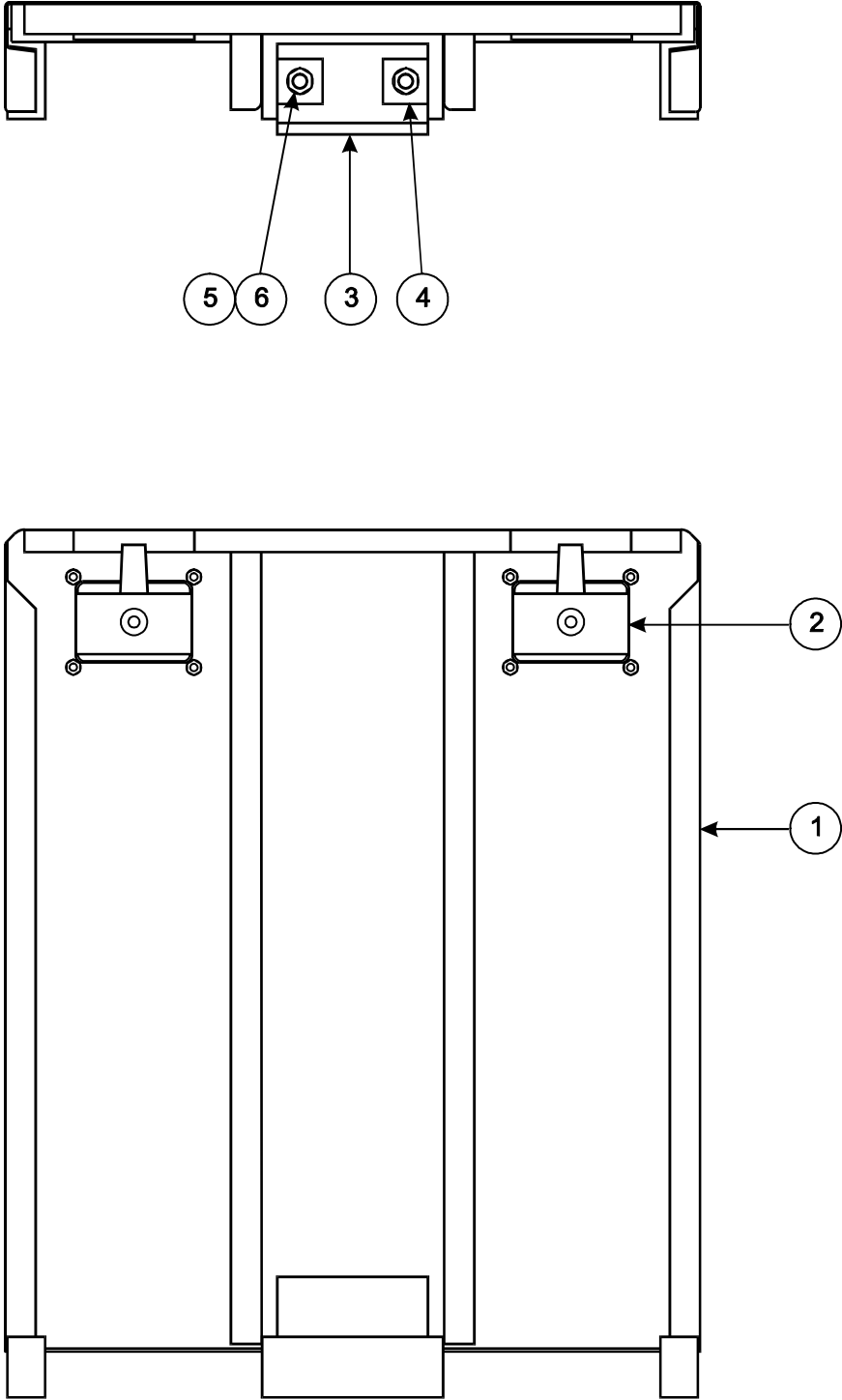
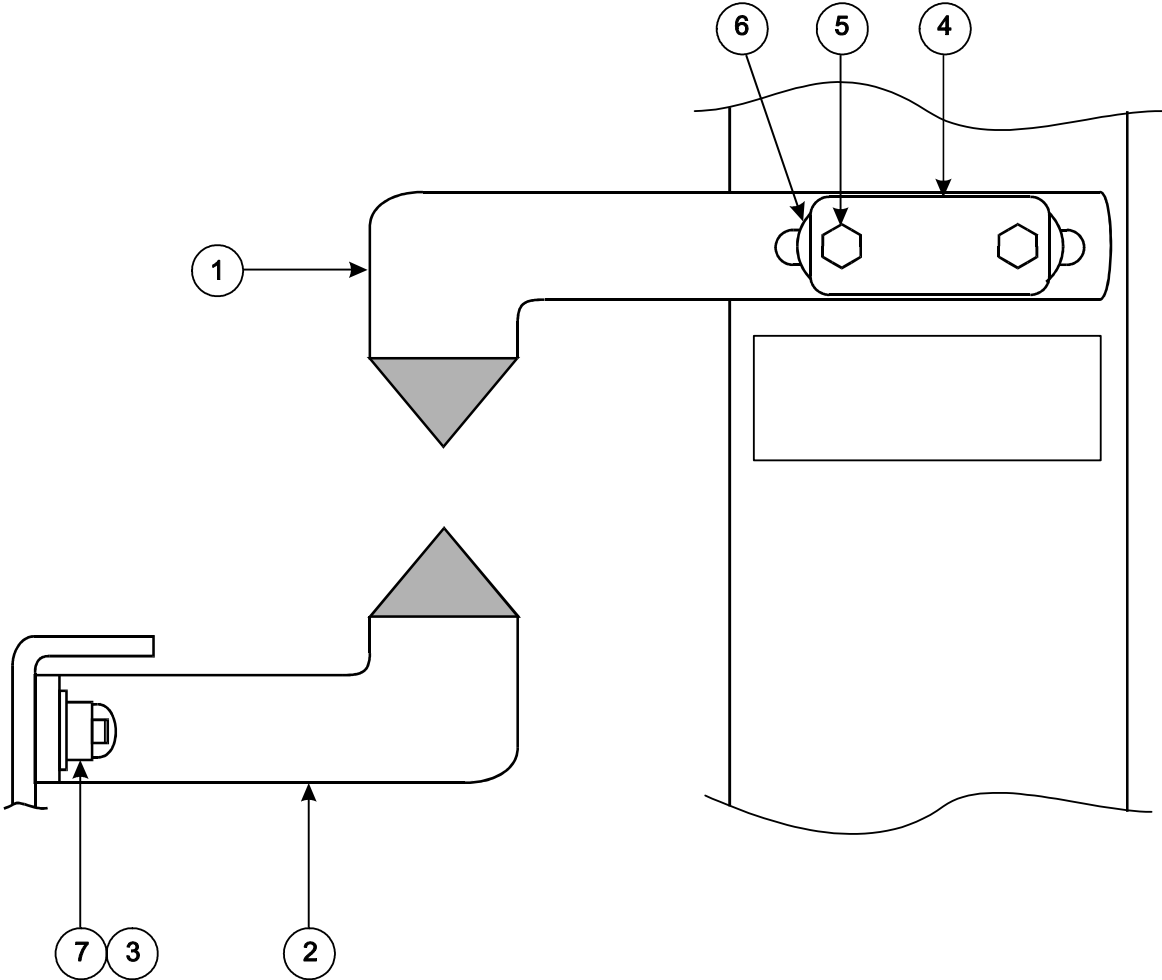


Figure 8-110: Mast Level Indicator Installation, MA2



CLICK HERE TO **DOWNLOAD** THE COMPLETE MANUAL

- Thank you very much for reading the preview of the manual.
- You can download the complete manual from: www.heydownloads.com by clicking the link below



- Please note: If there is no response to CLICKING the link, please download this PDF first and then click on it.

CLICK HERE TO **DOWNLOAD** THE COMPLETE MANUAL