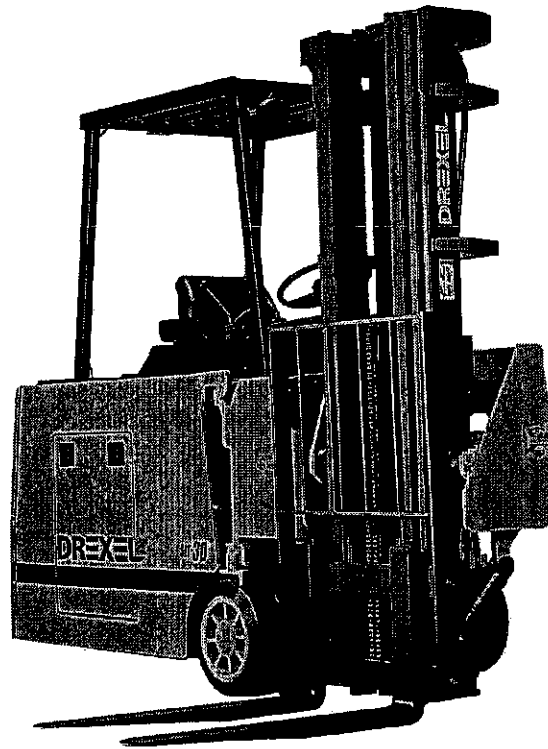




**DREXEL** Division

# **SLT30 E Series Base IPB SwingMast® Lift Truck**

Illustrated Parts Breakdown - Auto Guidance



**Landoll Corporation**  
Drexel Division  
1900 North Street  
Marysville, KS 66508  
U.S.A.

Telephone:..... (785) 562-5381  
Fax:..... (785) 562-4853  
Web: ..... [www.drexeltrucks.com](http://www.drexeltrucks.com)

Base unit: 1419872 -c, 06/03

CLICK HERE TO **DOWNLOAD** THE COMPLETE MANUAL

- Thank you very much for reading the preview of the manual.
- You can download the complete manual from: [www.heydownloads.com](http://www.heydownloads.com) by clicking the link below



- Please note: If there is no response to CLICKING the link, please download this PDF first and then click on it.

CLICK HERE TO **DOWNLOAD** THE COMPLETE MANUAL

## General

This section contains drawings and the parts breakdown for the serviceable assemblies and components of the Base assembly for the standard Model "SLT30 E Auto-Guidance Series" SwingMast® lift trucks.

## Abbreviations

The following abbreviations may be used in this Options IPB:

#n .....the measurement of an inner diameter in 32nds of an inch; example, #10 hose is has an inner diameter of 10/32" or 5/16".

A/R .....As required

Barb .....Barbed, a tapered hose nipple with ridges or "barbs" which keep the hose from slipping off.

Cl .....Class, used to specify yield strength of metric fasteners.

Cm .....centimeters

Ext .....External

Frk .....Fork, pronged electrical connector

Fwd .....Forward

Ga .....Gauge

Grd, Gr .....Grade - when hardware lists a grade rating, it is important to maintain that rating when replacing parts.

HS .....Hardened steel

Hex .....Hexagonal

Id, ID .....Inner diameter or "identification" (tag or plate).

IPB .....Illustrated Parts Breakdown

JIC .....Joint Industrial Conference, an industry standard used to describe a fitting.

Lh, LH .....Left hand

Mm .....millimeters

Mn .....Metric measurement; example, M8, M10, etc.). The number indicates the nominal diameter in millimeters

Mtg .....Mounting

n/s .....Parts that are not shown but serviceable.

No .....Number

Nom .....Nominal, i.e., suitable for nearest practical dimension. For example, a washer suitable for a 5/16" screw has an inner diameter greater than 5/16", but its nominal dimension is 5/16."

NPT .....National pipe thread

NPTF .....National pipe thread fine

NSS .....Not supplied separately (example, assemblies or collection of parts which cannot be purchased separately).

OAL .....Overall length, usually the stretched-out length of a hose or cable (including fittings), or the height of an unextended mast.

OD, Od .....Outer diameter

ORB .....O-ring boss, usually on a fitting, a threaded end equipped with a groove or lip to hold an O-ring.

p/n .....Part number

REC .....Schematic designator for an SCR (example, 4 REC.)

Rev .....Reverse

Rh, RH .....Right hand

SCR .....Silicon controlled rectifier

Str .....Straight, usually to describe a hydraulic fitting (vs. elbow)

Term .....Terminal, electrical

w/ .....with

w/out .....without

## Phantoms / Reference Parts

Quantities for some parts may be labeled "Pht" (phantom) or "Ref" (reference). A phantom is an assembly which does not exist as a separate unit. A reference item is not officially part of the parent assembly, but is shown on the illustration to make it easier to locate and identify. A zero quantity may also be used to identify a reference item.

## Task Groups/Assemblies

Task groups and/or assemblies are identified by a two-character letter code and a number suffix, example, OH389 or ET351. The letter codes are as follows:

CO .....Covers

CT .....Counterweights

DA .....Drive Axle and Wheels

EL .....Electrical System

FL .....Fluids and Lubricants

FR .....Frame

HY .....Hydraulic System

IA .....Inspection and Adjustments

ID .....Identification, Decals and Paint

LW .....Load Wheels

MA .....Mast

OH .....Overhead Guard, Instrument Panel, Controls

OP .....Options (example, Fork Installation)

PB .....Parking Brake

PS .....Pivot and Shift System

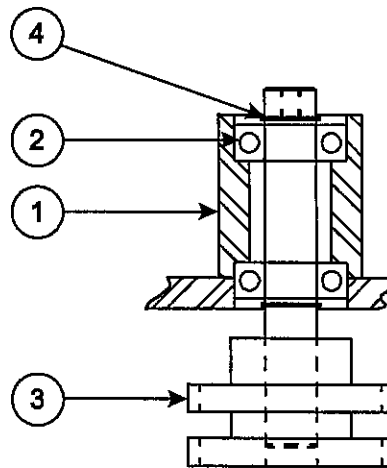
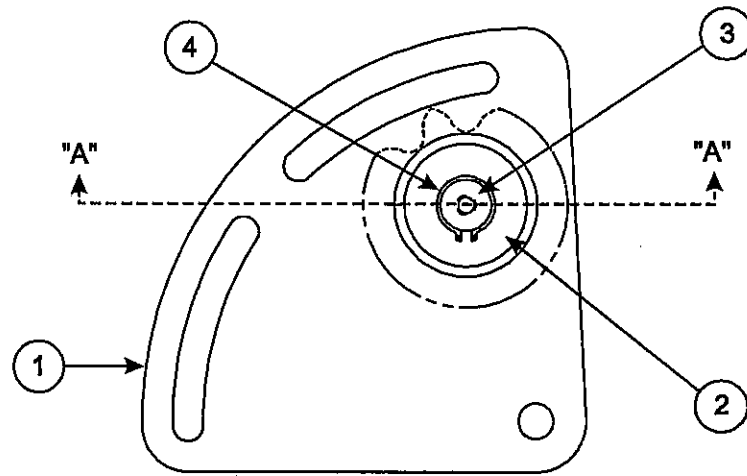
SB .....Service Brake

ST .....Seat

Items not manufactured by Landoll Corporation, as well as some Landoll subassemblies, are identified by assembly part numbers (p/n:). These items are located immediately after to the task groups in which they are used.



Figure 8-7: Steer Idler Assembly, p/n: 1412460-A



DETAIL "A"



# Load Wheel Installation, LW6

Item	Part No.	Qty	Description
1	50421	2	Cone, Bearing, Outer
2	50422	2	Lock Washer
3	50423	2	Nut, Lock
4	7837	2	Cover, Hub
5	77G1008E	8	Screw, Flat Head
6	1402294	1	Load Tire Installation
7	16F12	2	Plug, Pipe, Standard

Figure 8-15: Load Wheel Installation, LW6

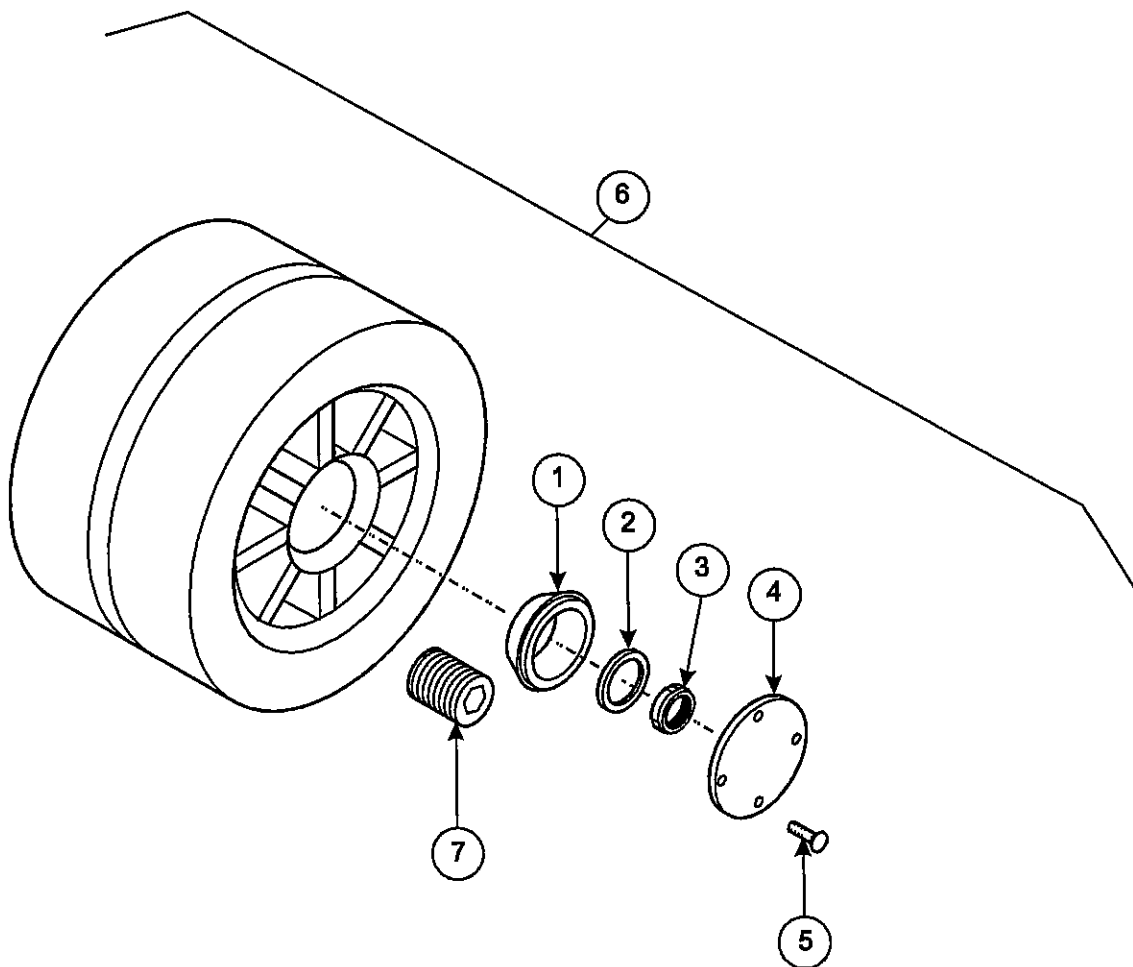




Figure 8-21: Protec Ground Strap Installation, EL24

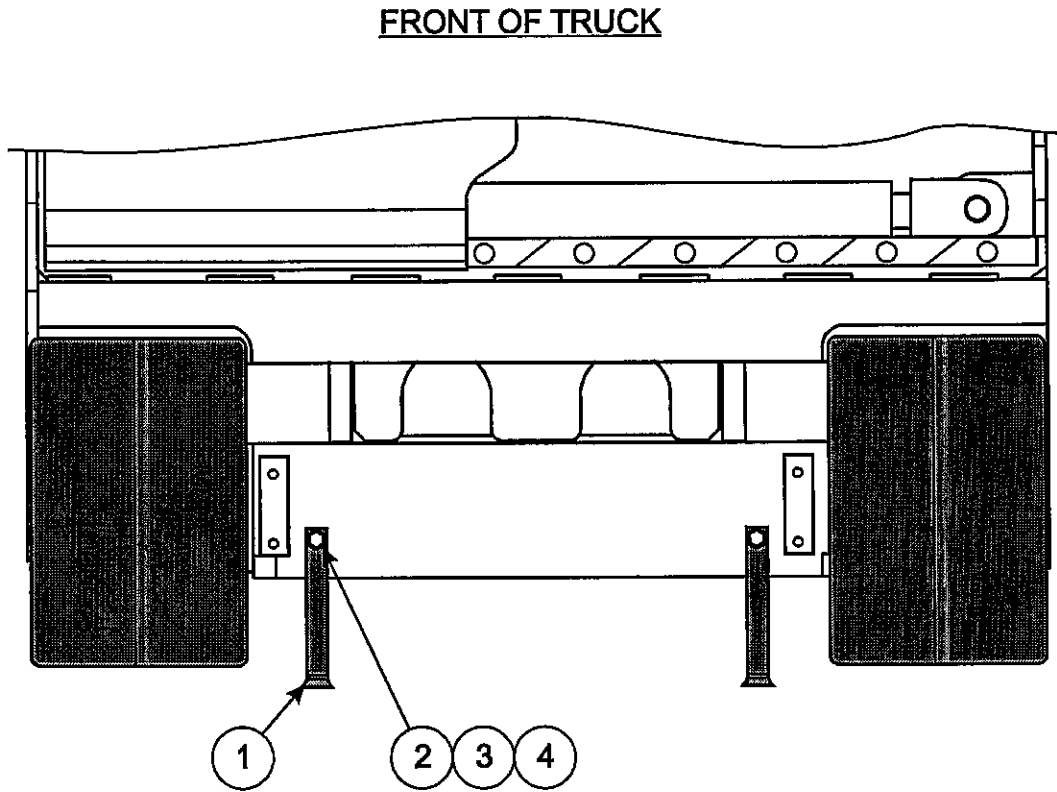
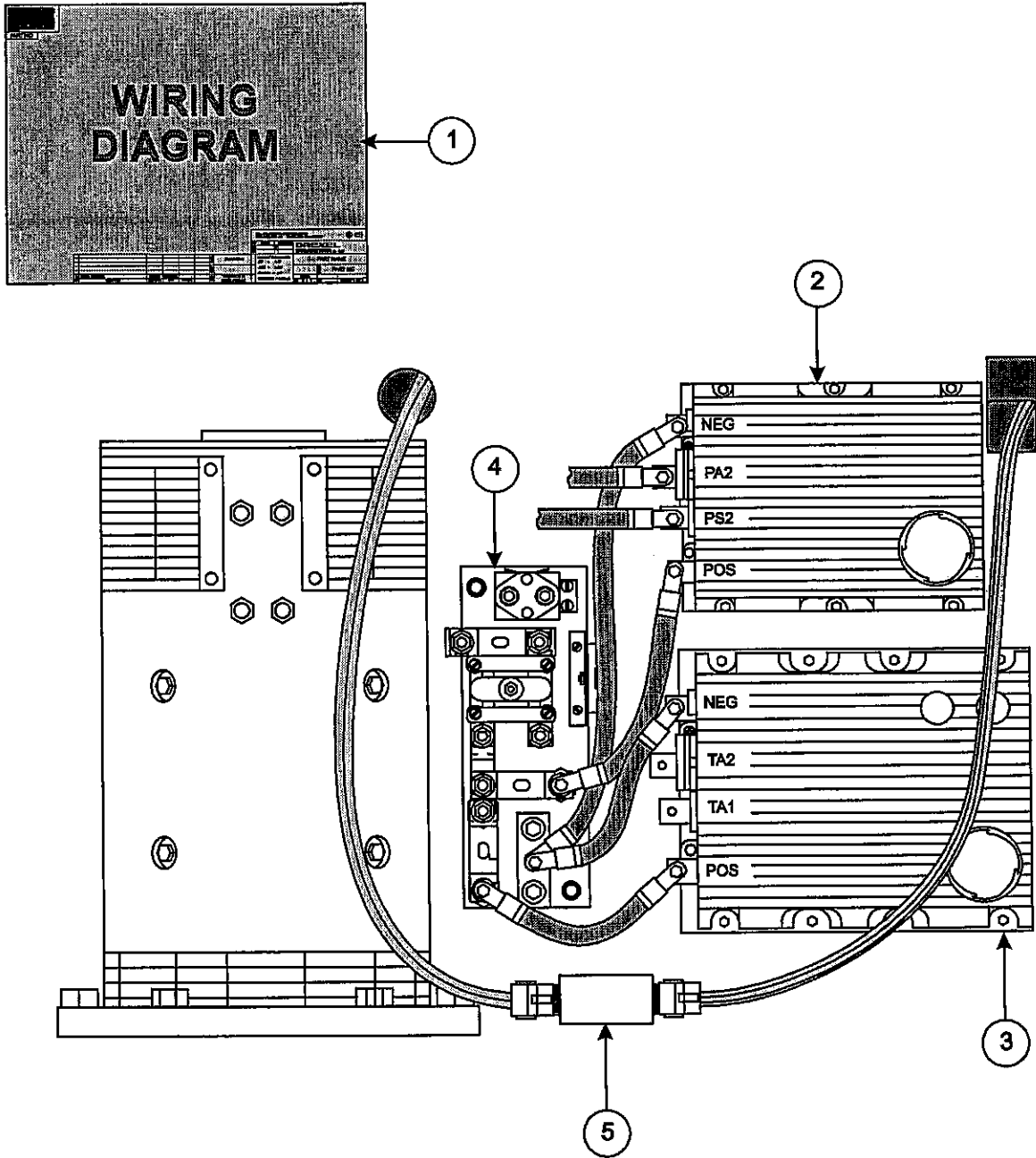




Figure 8-26: Controllers Installation, EL39-A





# Ground Straps Installation, p/n: EL38-A

Item	Part No.	Qty.	Description
1	1CM1025ER	2	Screw Hex Head, Class 8.8 M10x1.5-25
2	18EM1019ER	2	Washer, Flat, H.s. M10
3	6719	2	Strap, Ground

Figure 8-34: Ground Straps Installation, p/n: EL38-A

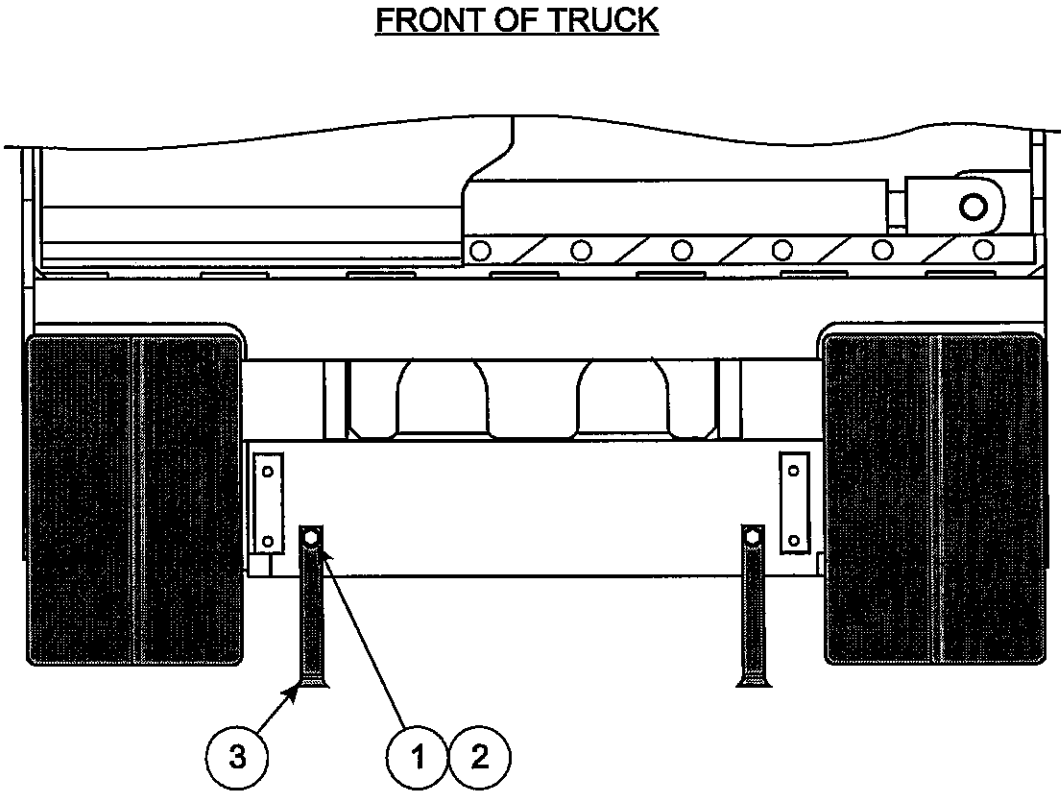


Figure 8-37: Hydraulic Pump/Motor Assembly, p/n: 1413611-C

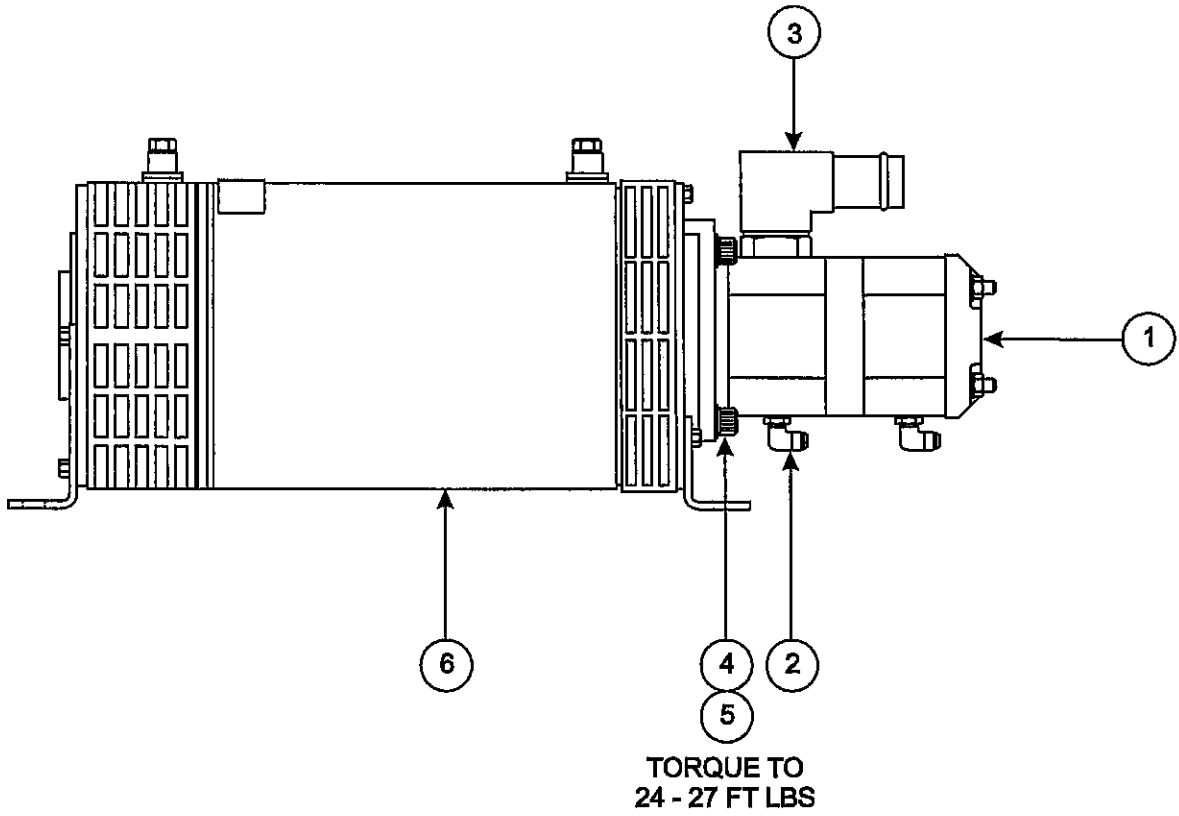
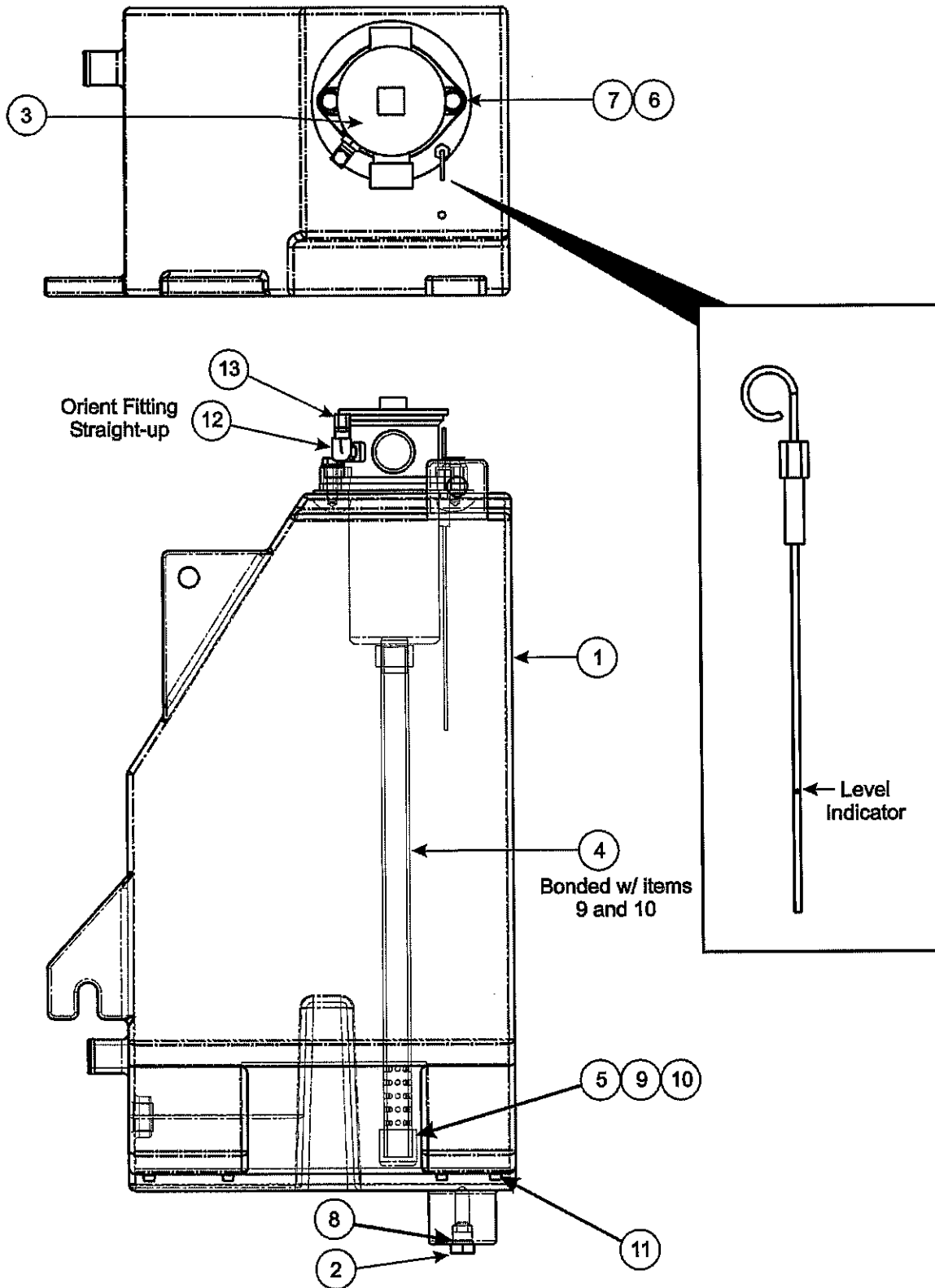


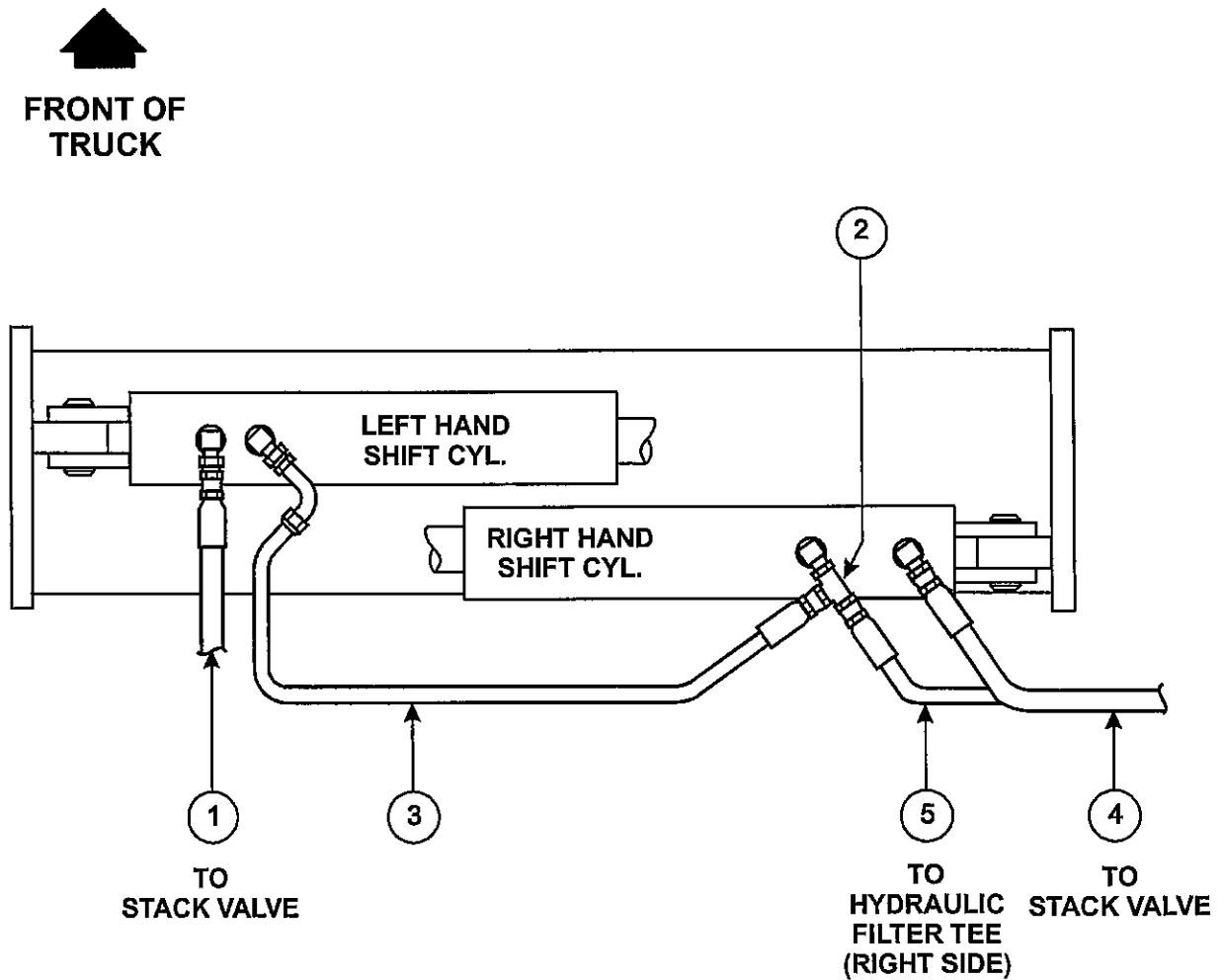
Figure 8-41: Hydraulic Reservoir, p/n: 1419896-C



# Side Shift Hose, HY7

Item	Part No.	Qty	Description
1	1413173	1	Hose Assembly, #6
2	13K5	1	Run Tee, Swivel
3	1407966	1	Hose Assembly, #6, 37.00" OAL
4	51032-61	1	Hose Assembly, #6, 42.31" OAL
5	51032-54	1	Hose Assembly, #6

Figure 8-45: Side Shift Hose, HY7



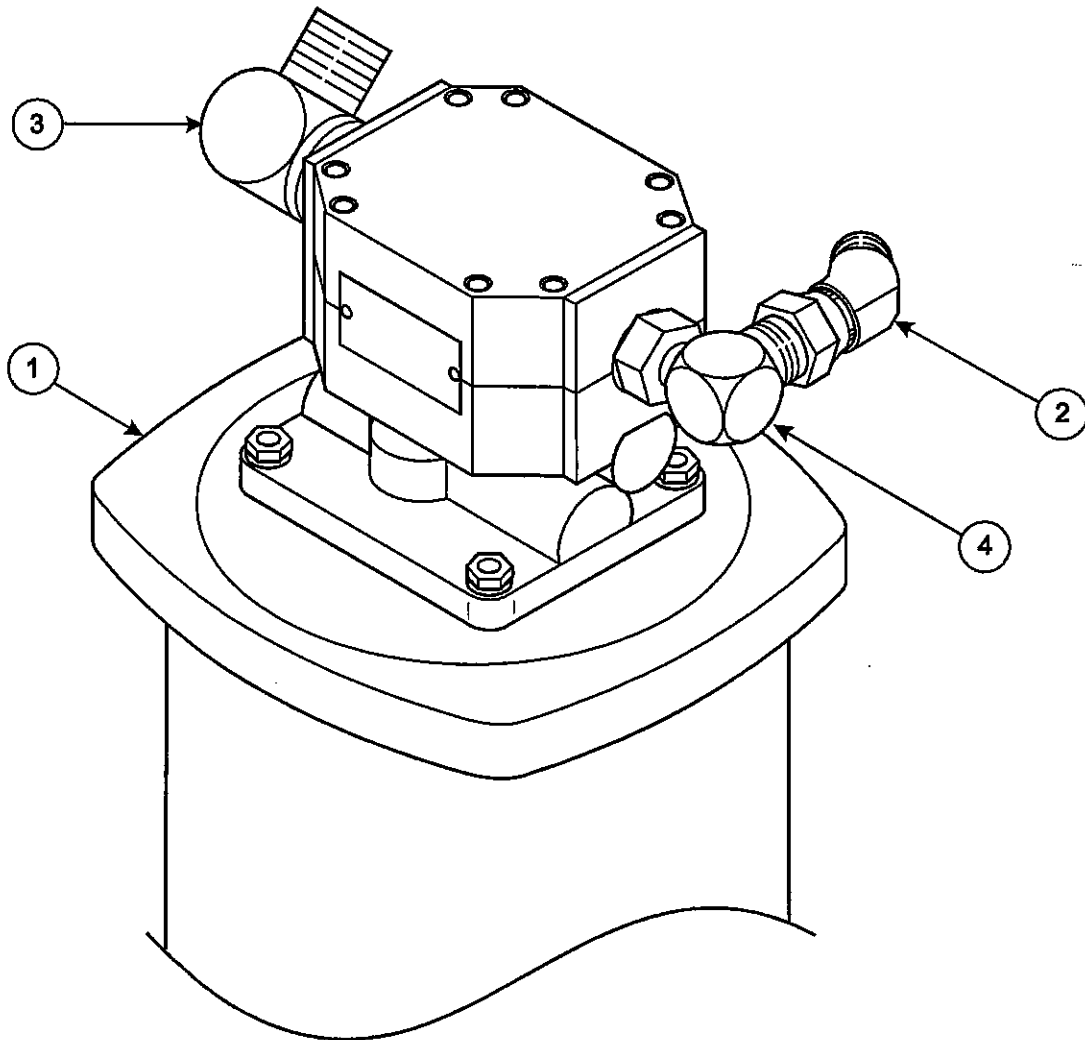




# Steer Pump/Motor Sub-Assembly, HY12

Item	Part No.	Qty	Description
1	1413444	1	Pump and Motor Assembly
2	12K6	1	Fitting, 45°, Swivel
3	17K6	1	Elbow, 90°, Standard
4	1300294	1	Male Connector, 90° Elbow

Figure 8-54: Steer Pump/Motor Sub-Assembly, HY12



CLICK HERE TO **DOWNLOAD** THE COMPLETE MANUAL

- Thank you very much for reading the preview of the manual.
- You can download the complete manual from: [www.heydownloads.com](http://www.heydownloads.com) by clicking the link below



- Please note: If there is no response to CLICKING the link, please download this PDF first and then click on it.

CLICK HERE TO **DOWNLOAD** THE COMPLETE MANUAL

Figure 8-58: Steer Motor Sub-Assembly, HY21

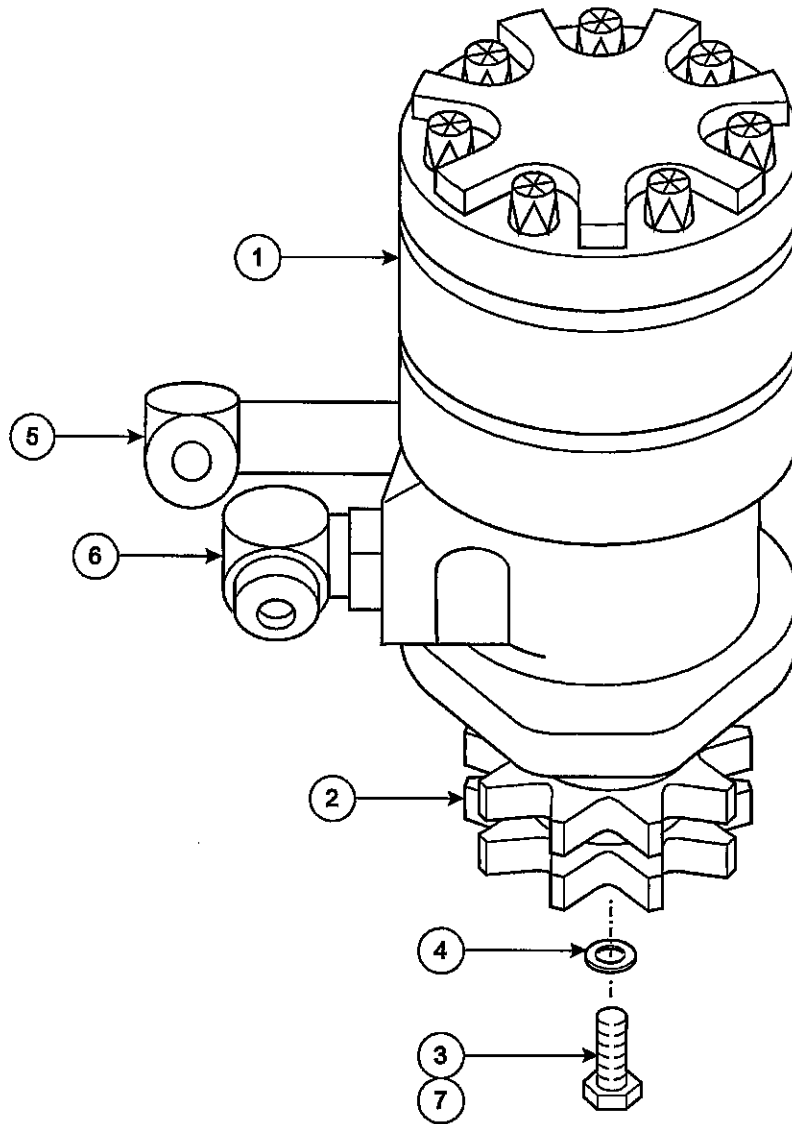
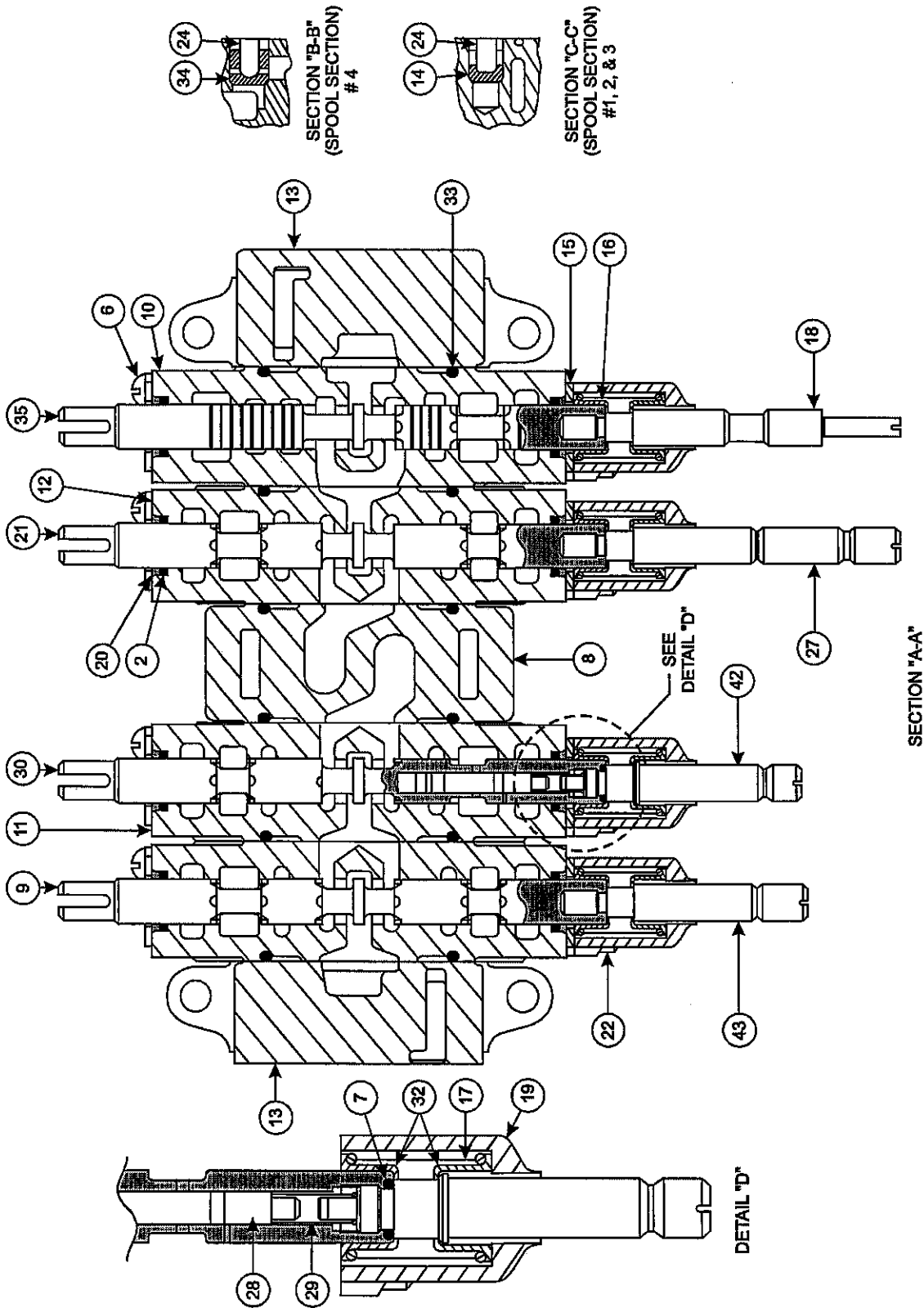


Figure 8-63: Control Valve Assembly Breakdown, p/n: 1419760-A (sheet 2 of 2)

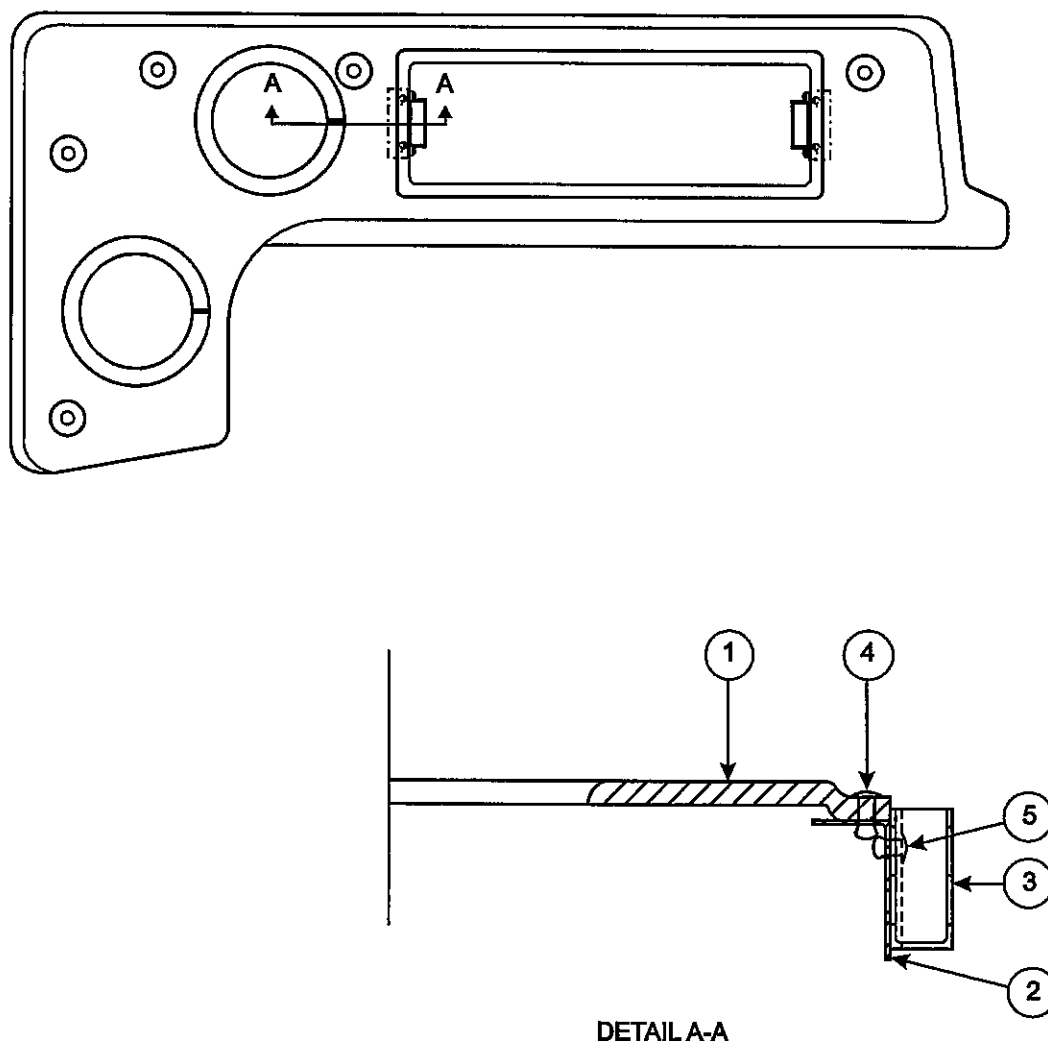




# Console Cover Sub-Assembly, OH9

Item	Part No.	Qty	Description
1	1401022	1	Cover, Side Console
2	1401840	2	Bracket, Mounting
3	1401838	2	Catch, Door Grabber
4	51365-1	4	Blind Rivet, 1/8" x 0.275" Long
5	51365-4	4	Rivet, Blind
6	1401867	A/R	Strip, Grommet

Figure 8-71: Console Cover Sub-Assembly, OH9



# Steering Column Installation, HY5

Item	Part No.	Qty	Description
1	1400968	1	Steering Column, 10"
2	25975	1	Steering Control Unit, 7.3"
3	1405194	2	Spacer
4	4E6E	4	Lock Washer, 0.375"
5	1C624ER	2	Screw, Hex Head, Grade 5
6	17K6	2	Elbow, 90°, Standard
7	1C616ER	2	Screw, Hex Head, Grade 5
8	1400548	2	Elbow, Extra Long

**Figure 8-75: Steer Column Installation, HY5**

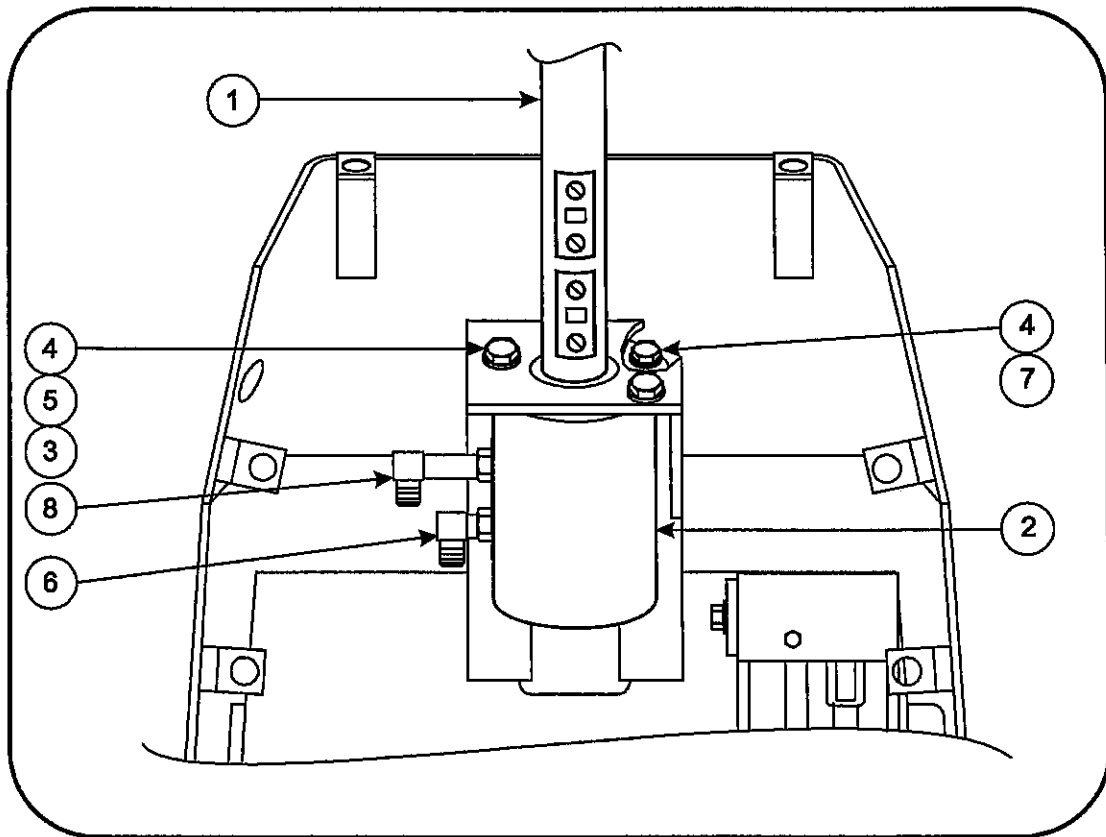


Figure 8-80: Brake Weldment Assembly, SB2

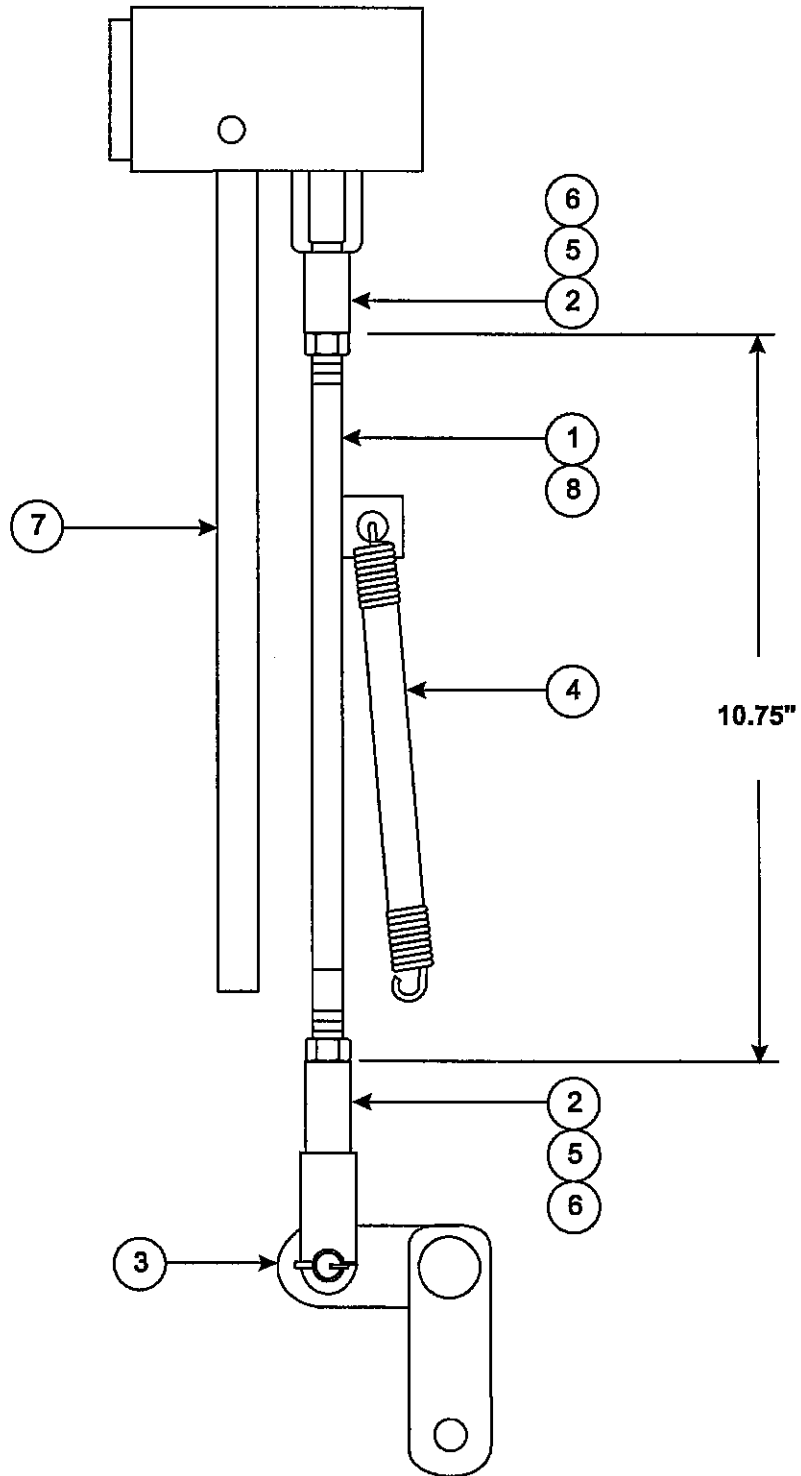


Figure 8-83: Master Cylinder Assembly, p/n: 1402557-C

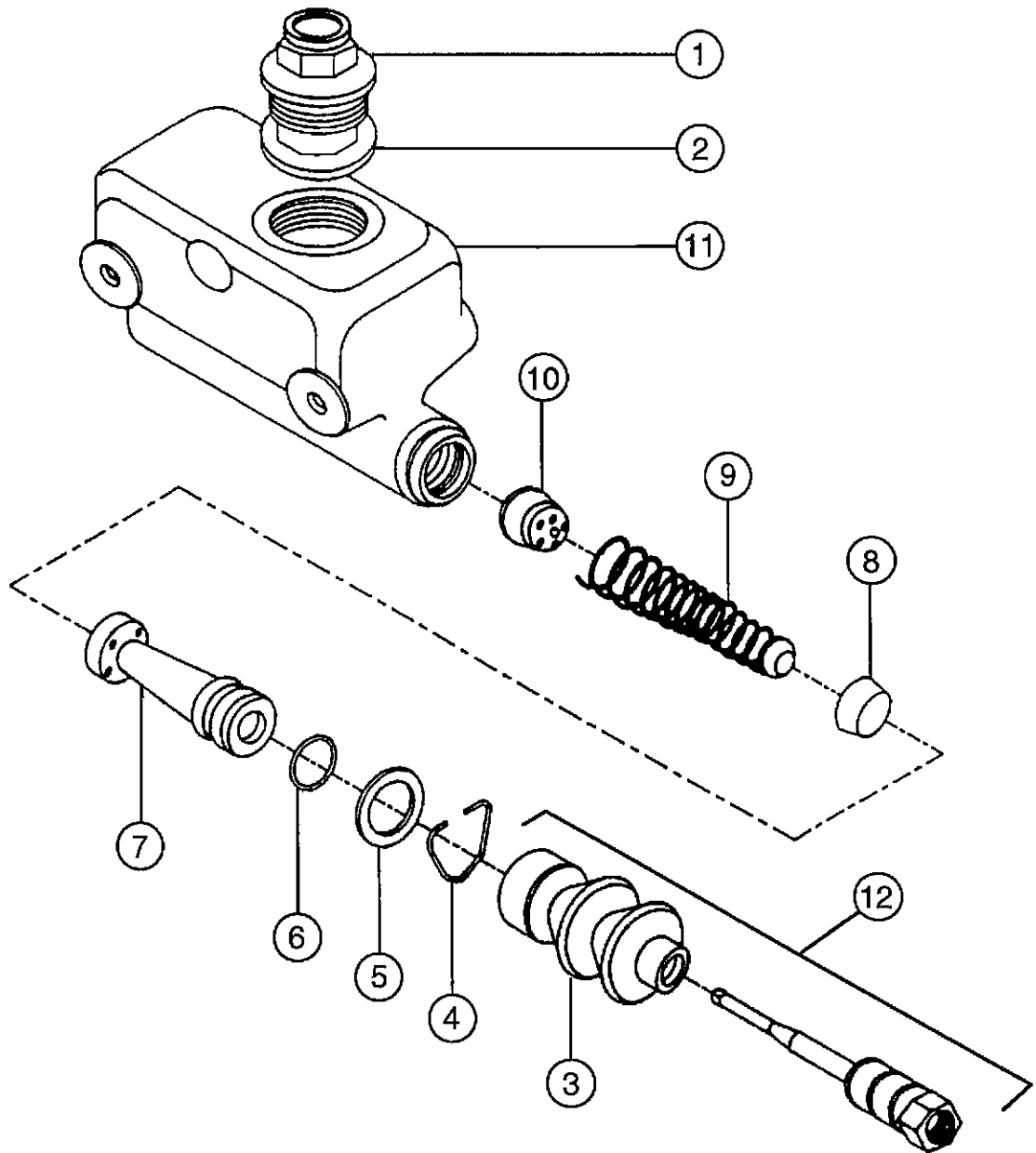


Figure 8-86: Parking Brake Sub-Assembly, PB1

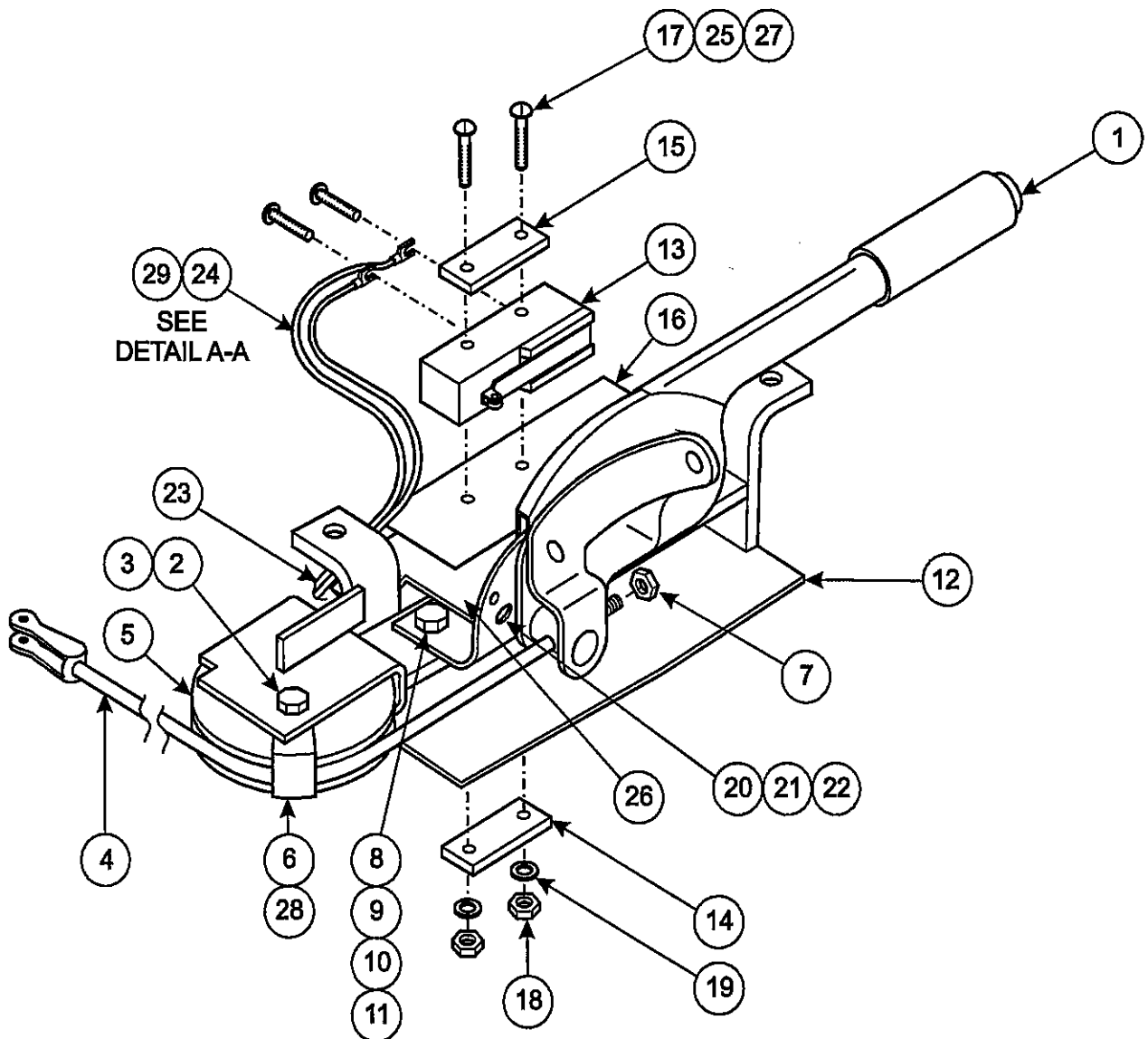
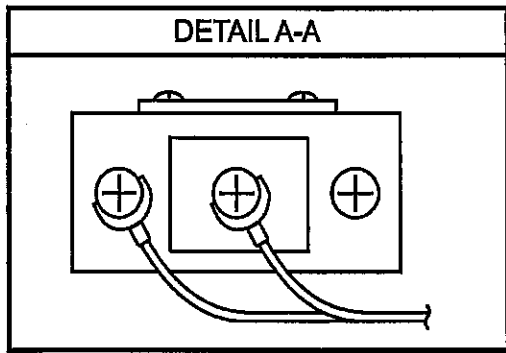


Figure 8-89: Brake Cable Assembly

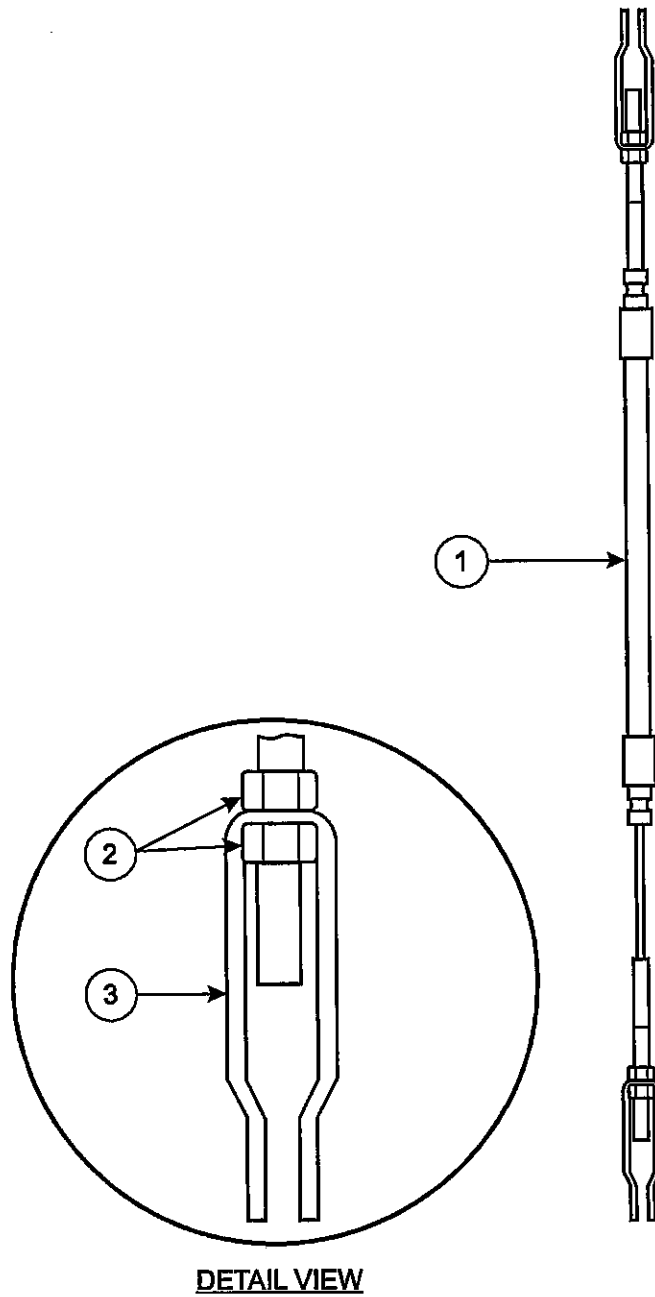


Figure 9-93: Driver's Seat Breakdown

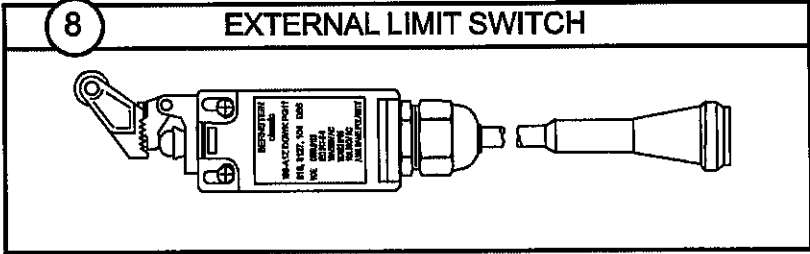
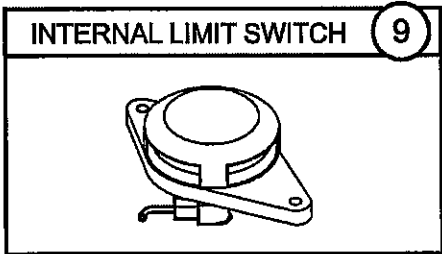
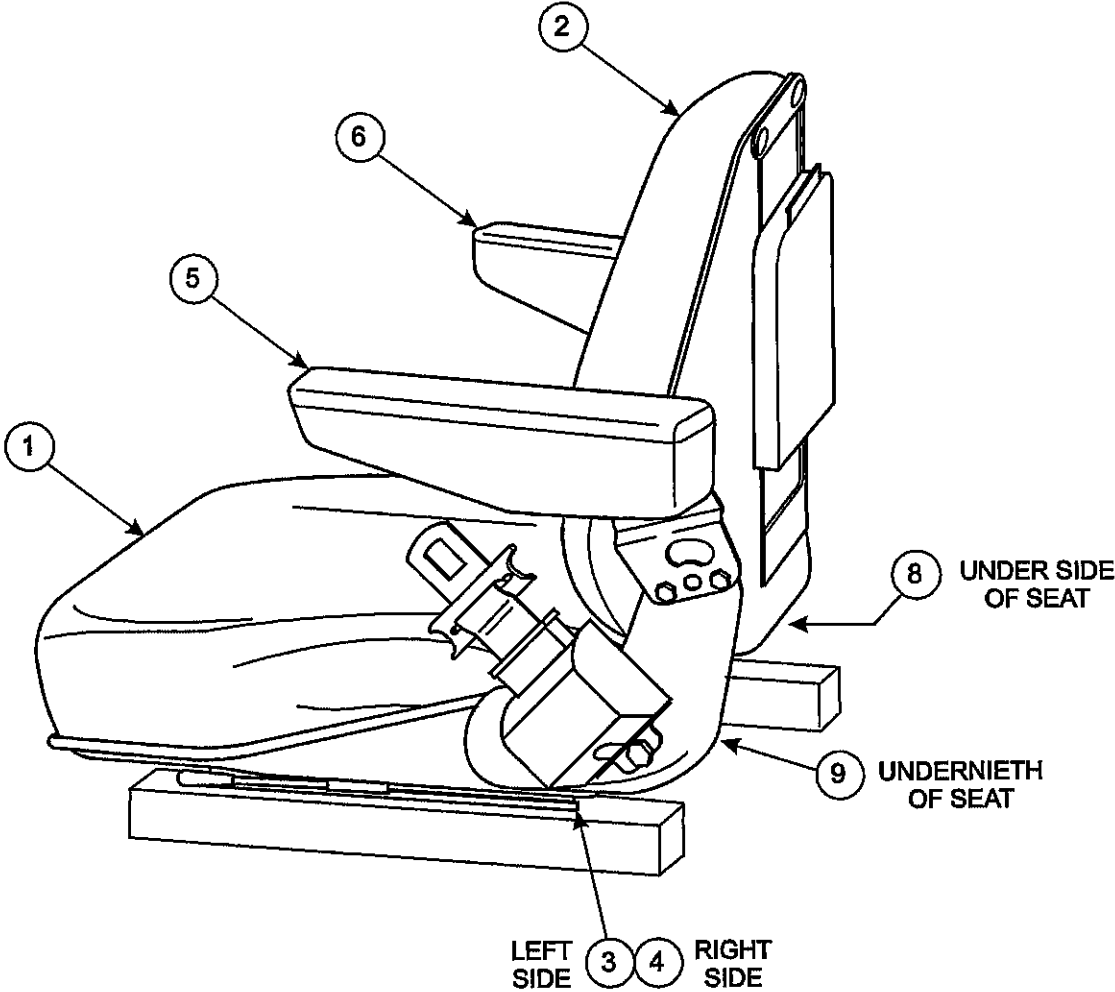


Figure 8-97: Lower Bar Installation, PS8

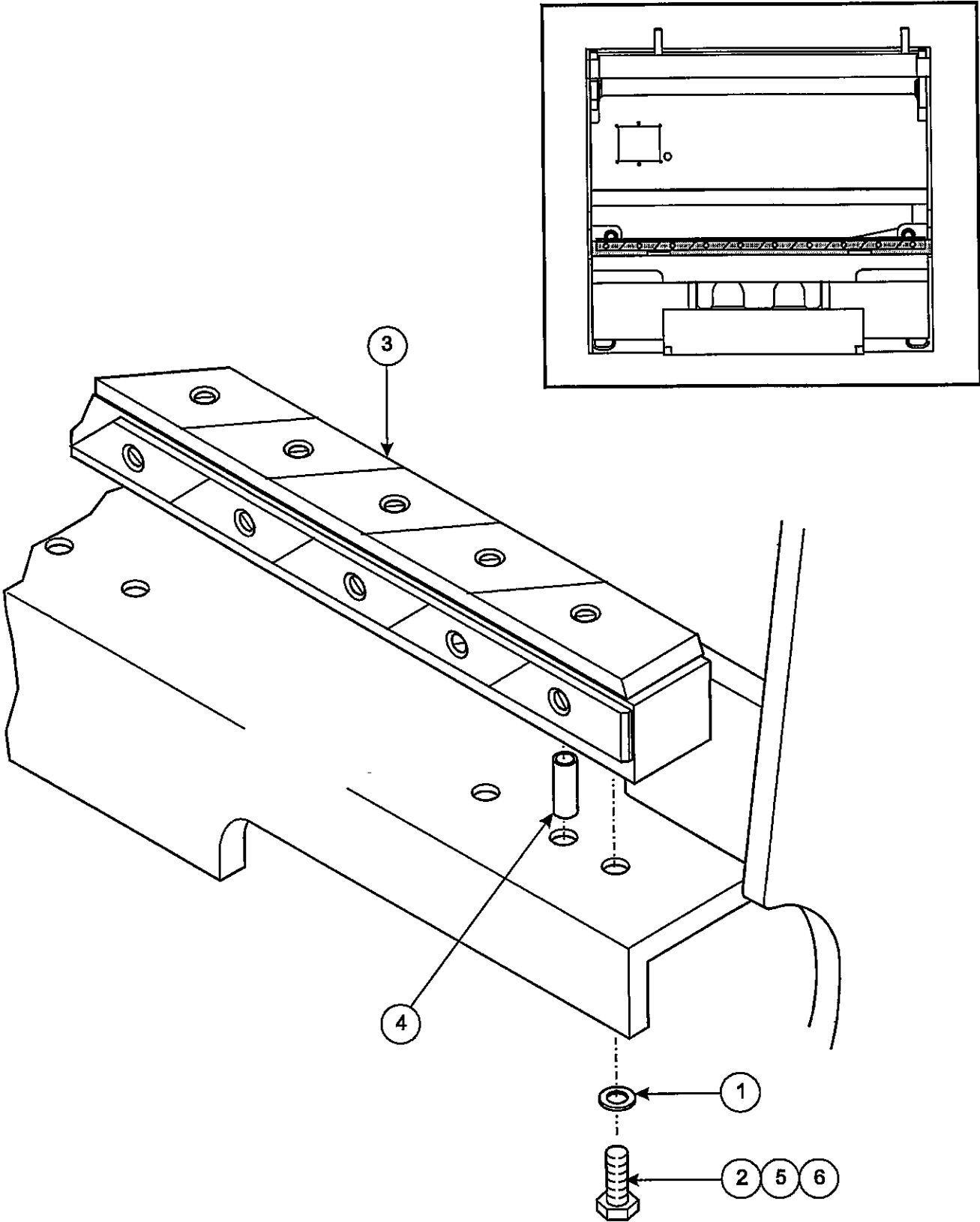


Figure 8-100: Shift Cylinder Installation, PS6

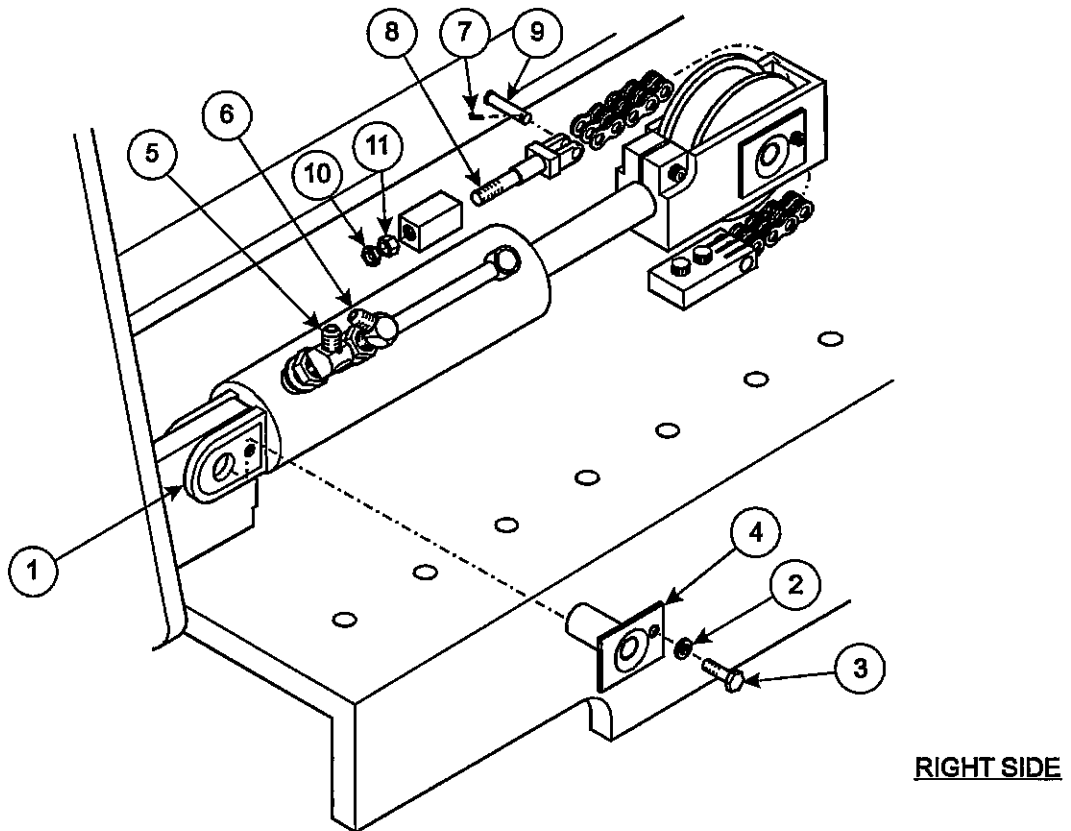
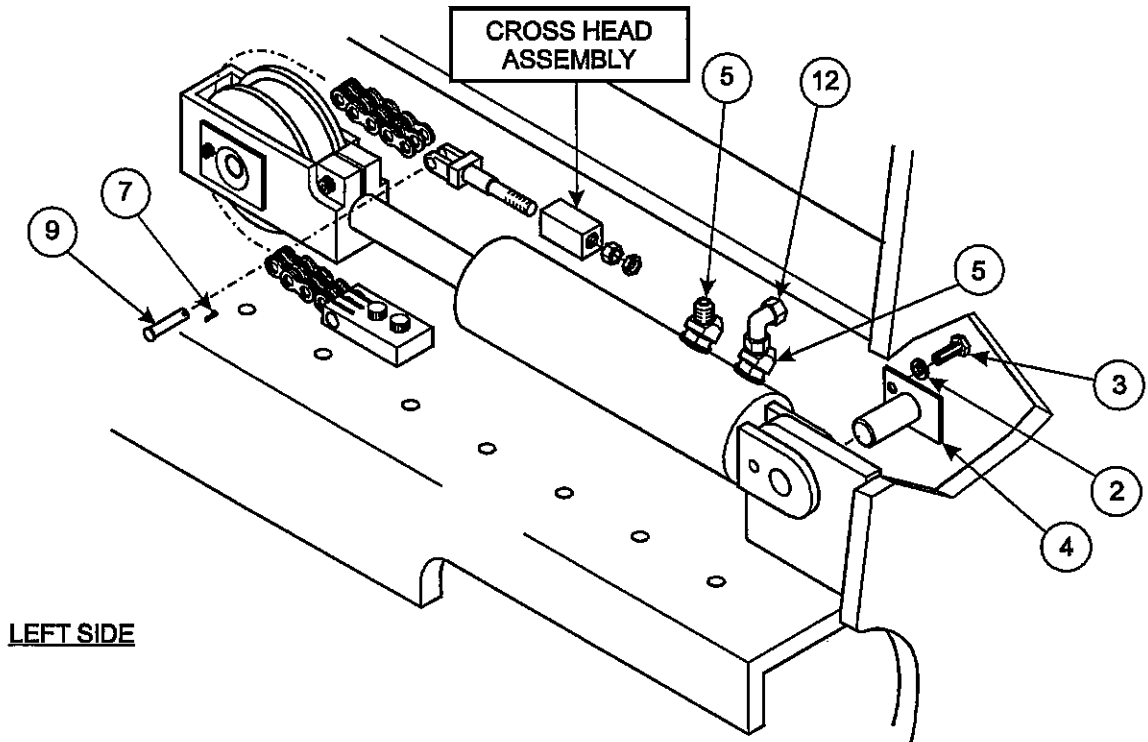


Figure 8-103: Side Shift Chains Installation, PS5

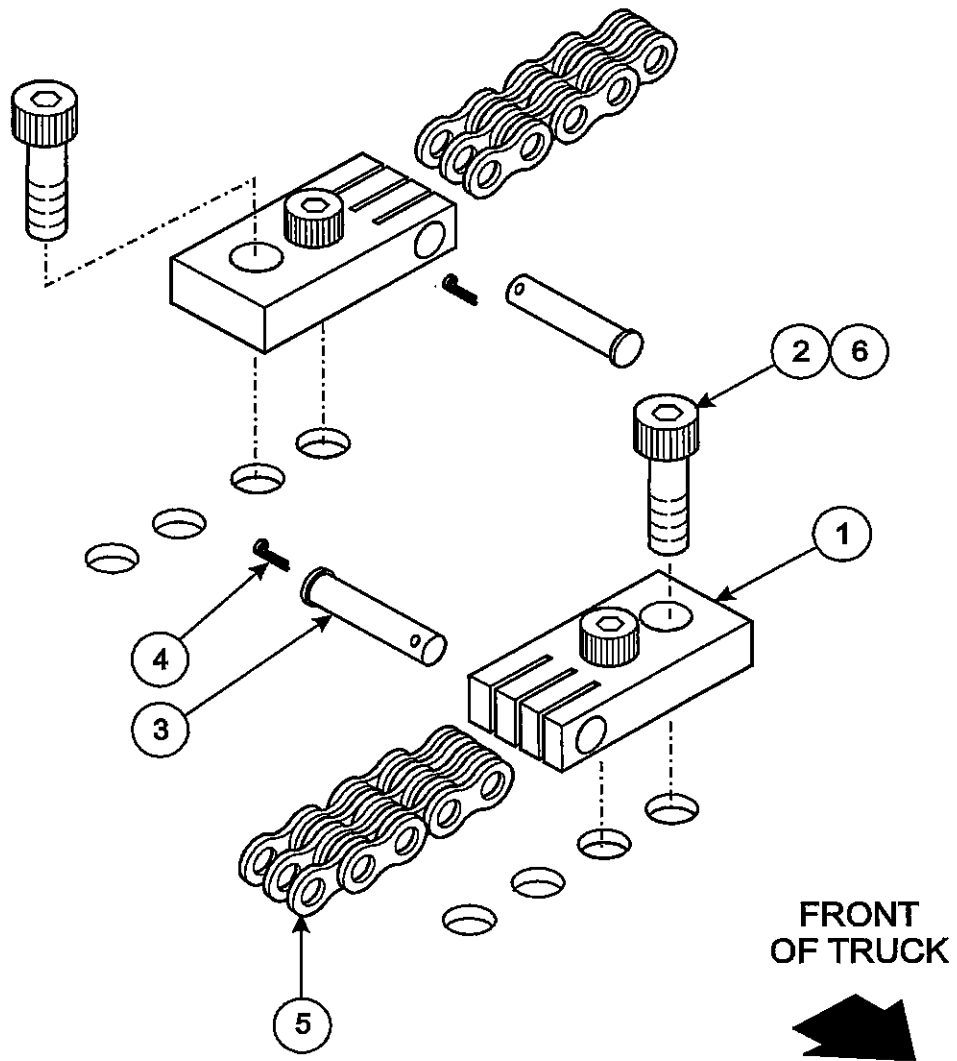
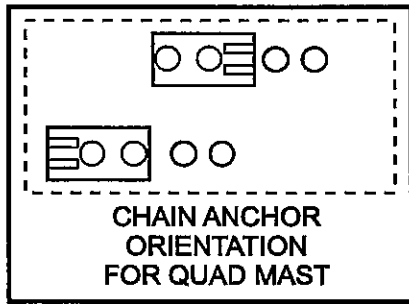






Figure 8-112: Rear Compartment Seal, ID8

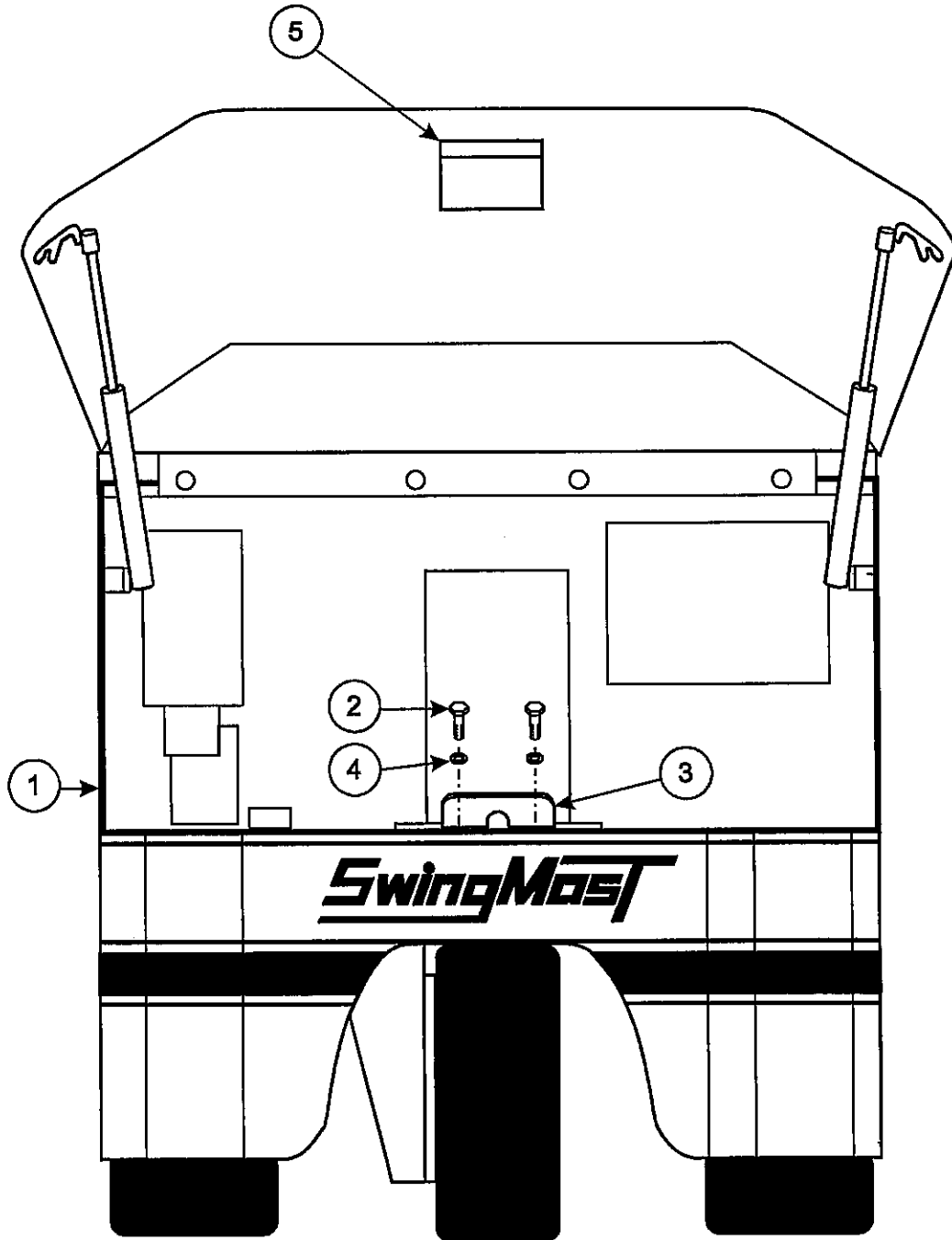
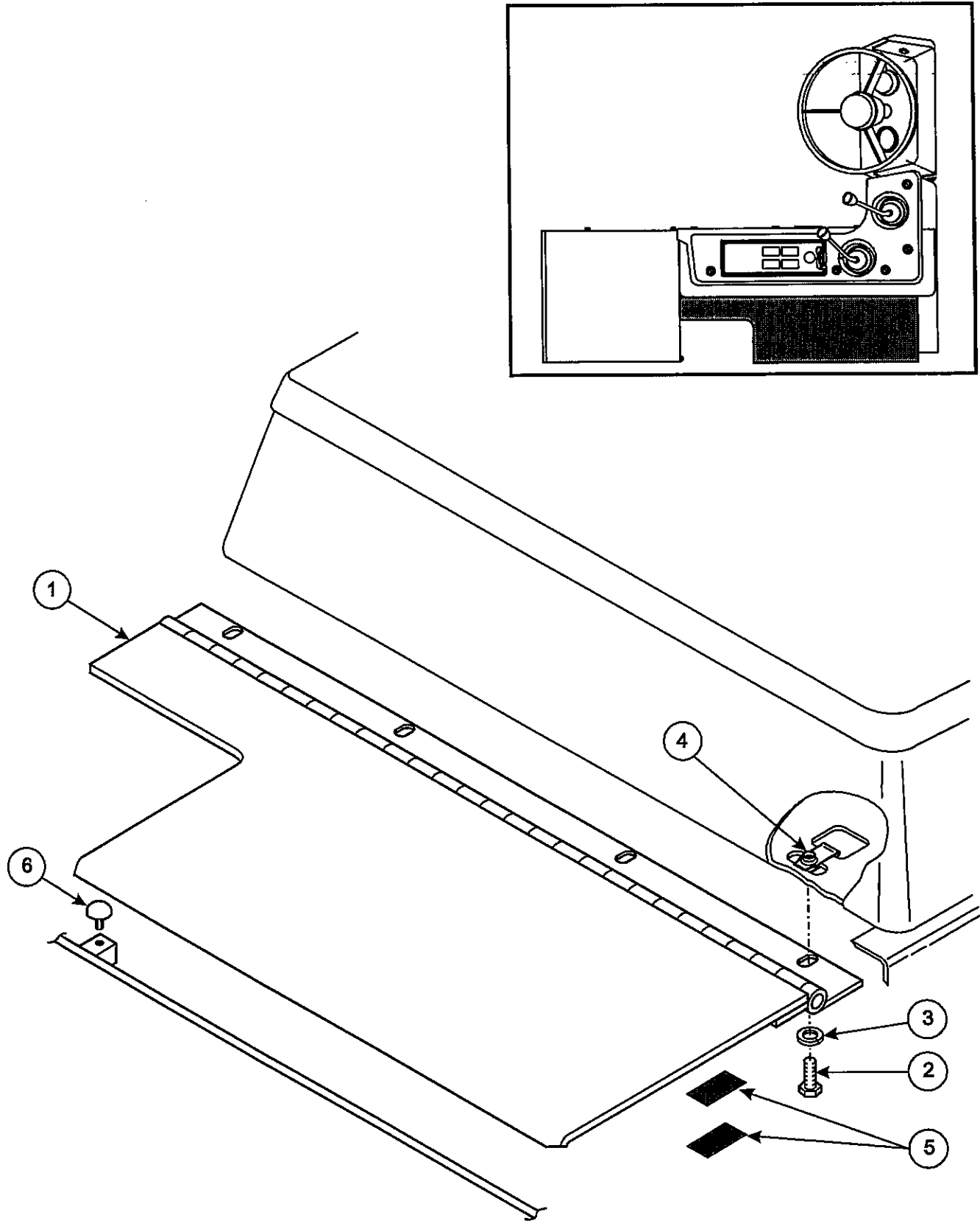


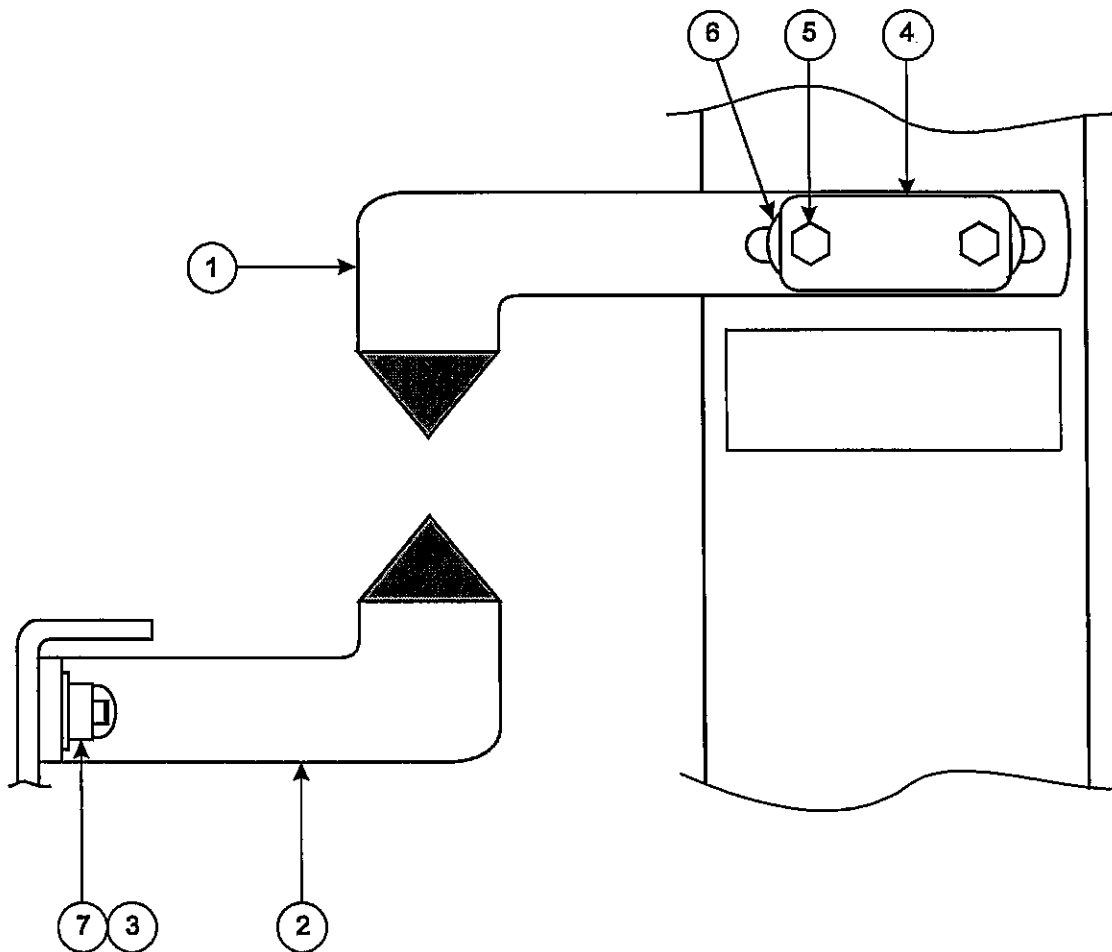
Figure 8-115: Side Cover Weldment Installation, ID9



# Mast Level Indicator Installation, MA2

Item	Part No.	Qty	Description
1	1409557	1	Indicator, Mast Mounting
2	1409558	1	Indicator, Pivot Arm Mounting
3	27E5ER	2	Washer, Flat, Hardened, 5/16"
4	1407693	1	Cover Plate
5	1C408ER	2	Screw, Hex Head, Grade 5
6	27E7ER	2	Washer, Nominal, 0.438"
7	1DM8ER	2	Nut, Hex Head, Class 8.8

**Figure 8-119: Mast Level Indicator Installation, MA2**



CLICK HERE TO **DOWNLOAD** THE COMPLETE MANUAL

- Thank you very much for reading the preview of the manual.
- You can download the complete manual from: [www.heydownloads.com](http://www.heydownloads.com) by clicking the link below



- Please note: If there is no response to CLICKING the link, please download this PDF first and then click on it.

CLICK HERE TO **DOWNLOAD** THE COMPLETE MANUAL