

Section 4 ILLUSTRATED PARTS BREAKDOWN

4.1 GENERAL

This section contains drawings and parts lists for the serviceable assemblies and components of the SL44/4 SwingMast truck.

4.2 REVISION LEVELS

In the titles for the various assemblies, the part numbers may be followed by a letter indicating the revision level. For example, part no. 17527-01-H is actually part no. 17527-01, revision H. If no letter follows the part number in the title, there is no revision applicable. The revision level is not included in the part numbers listed in the bills of material.

4.3 ABBREVIATIONS

The following abbreviations may be used in the descriptions for parts:

"O" O-Ring

#n In conjunction with hose, a measurement of the hose inner diameter in 32nds of an inch, e.g., #10 Hose is a hose with an inner diameter of 10/32 or 5/16".

Assy Assembly

Barb Barbed, usually to describe a tapered hose nip-

ple with ridges or "barbs" which keep the hose from slipping off.

Cl Class, used to specify comparative yield strength of metric fasteners, e.g., Cl8.8.

Ext External

Fwd Forward

GA Gauge

Hd Head

Hex Hexagonal

Hyd Hydraulic

ID Inner Diameter or "Identification" (Tag or Plate)

Int Internal

JIC Joint Industrial Conference, a group which sets standards for components. When used to describe a fitting, JIC indicates a 37° flare.

LH, L.H. Left Hand

Mn Metric measurement of a fastener (e.g., M8, M10, etc.). The number indicates the nominal diameter in millimeters, e.g., M10 is a fastener with a diameter of 10 mm.

Mtg Mounting

Nom Nominal, i.e., suitable for nearest practical dimension. For example, a washer suitable for a 5/16" screw will have an inner diameter greater than 5/16", but its nominal dimension is 5/16."

NPT National Pipe Thread

CLICK HERE TO **DOWNLOAD** THE COMPLETE MANUAL

- Thank you very much for reading the preview of the manual.
- You can download the complete manual from: www.heydownloads.com by clicking the link below

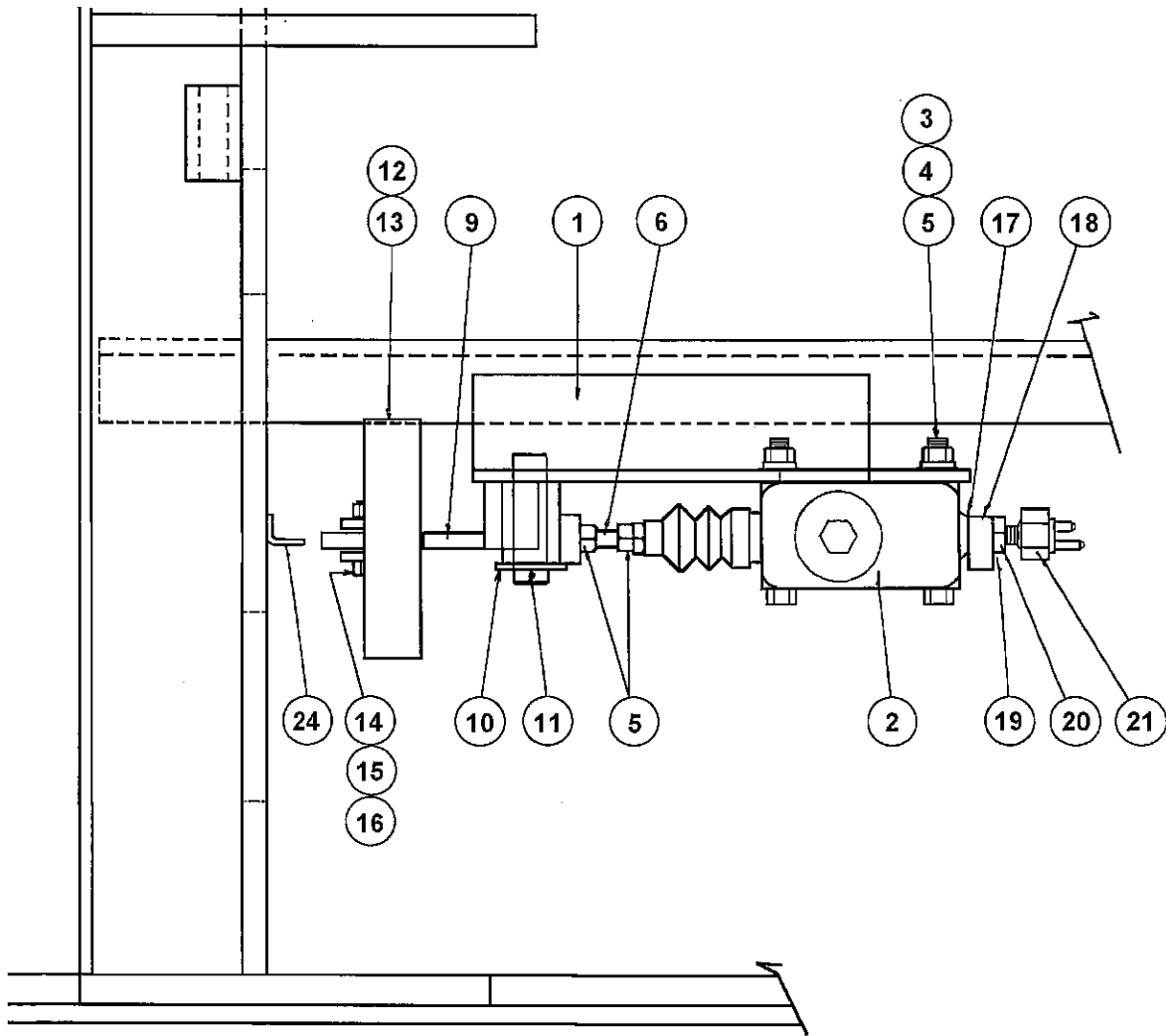


- Please note: If there is no response to CLICKING the link, please download this PDF first and then click on it.

CLICK HERE TO **DOWNLOAD** THE COMPLETE MANUAL

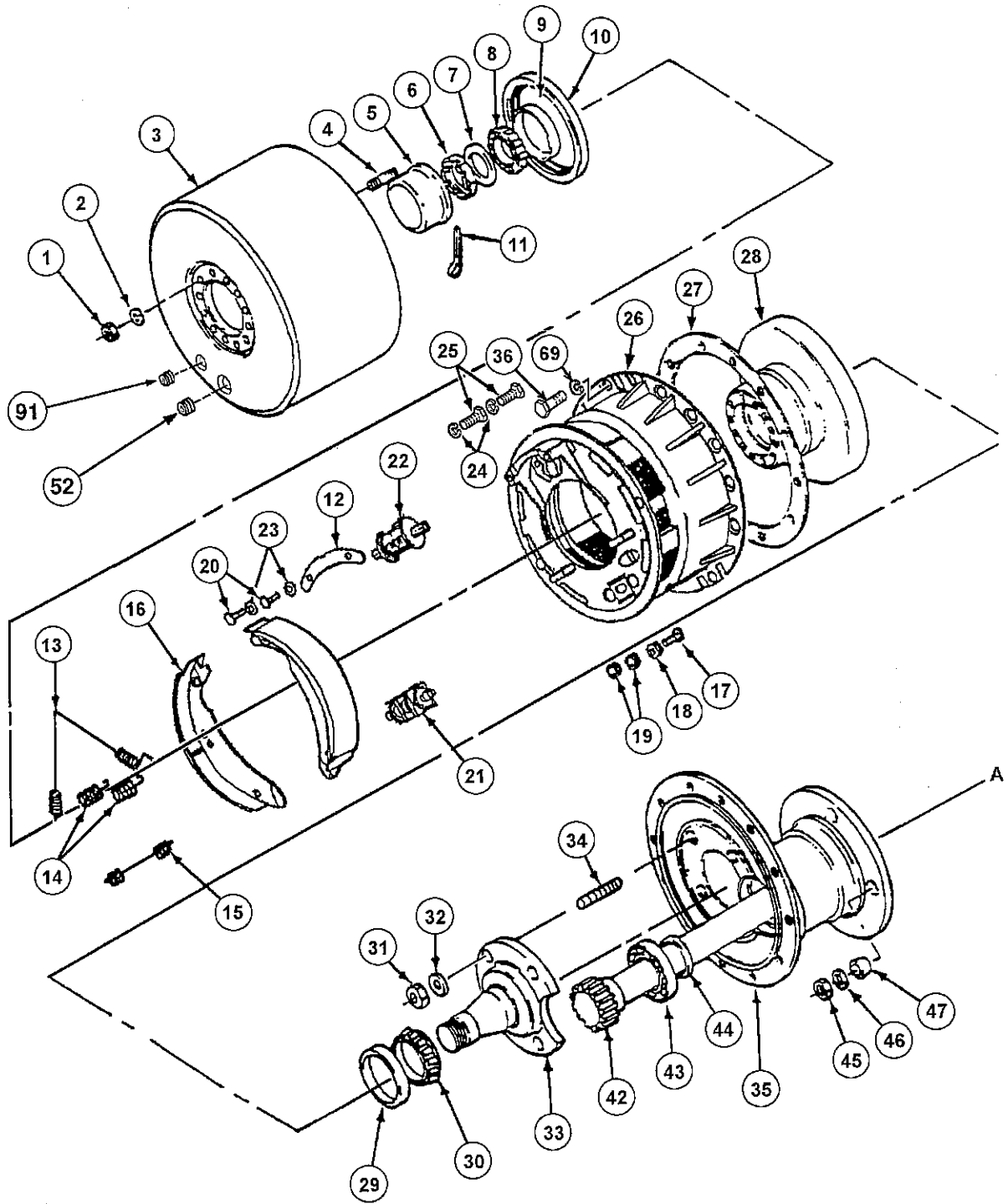
ILLUSTRATED PARTS BREAKDOWN

SERVICE BRAKE PARTS GROUP, PART NO. 15507-E



ILLUSTRATED PARTS BREAKDOWN

AXLE, DRIVE WITH KNOTT BRAKE, PART NO. 17133-S



ELECTRICAL GROUP, PART NO. 1412298-A

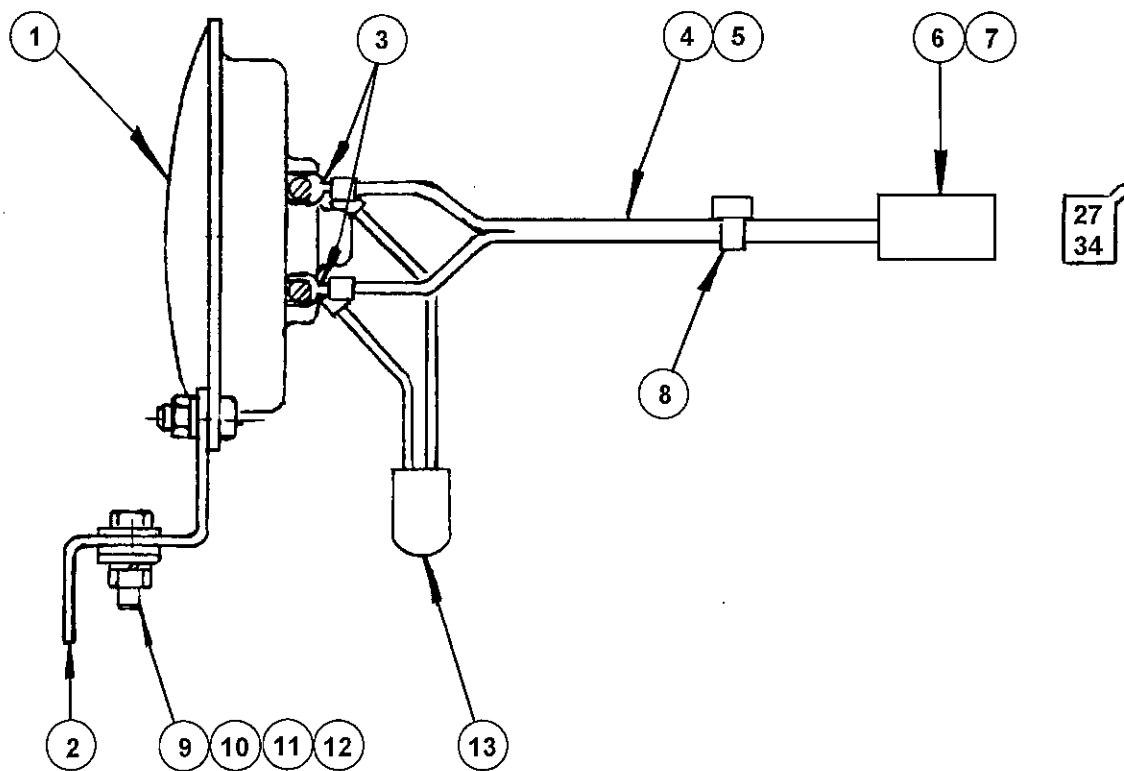
Item	Part No.	Qty	Description
1	1411546	1	Harness Wire Main For Dill Blox Type Fuses
2	1411564	1	Electrical Panel Assy
4	51381-1	1	Boot, Battery Term, Black
5	51381-2	1	Boot, Battery Term, Red
6	15612-1	Pht 1	Power Cable, Power Steer.
7	15612-2	Pht 1	Power Cable, Power Steer.
8	25602	1	Base Plate
9	25165-5	1	Connector Battery Grey Sb-350 3/0 Cable 36 Volt
10	17065	1	Foot Controller Assy (Ev-100)
11	15659	1	Switch Assy, Seat
12	15679	Pht 1	Horn Assy 36V & Hash Fltr
13	1411504	Ref 0	Schematic Electrical w/Dill Box Fuses SI33-44

NOTE: This bill supplied as a reference to subordinate assemblies only. No illustration is provided.

ILLUSTRATED PARTS BREAKDOWN

HORN ASSY 36V & HASH FILTER, PART NO. 15679-A

Item	Part No.	Qty	Description
1	25070	1	Horn, 36V w/Bracket
2	50112	1	Bracket, Modified Horn - From 25070 Horn Assy
3	25182	2	Fork, Terminal No. 6
4	50669-1	.83 ft	Wire, 16 Ga, Red
5	50669-3	.83 ft	Wire, 16 Ga, Yellow
6	25214	2	Pin, Terminal
7	25218	1	Cap, 2 Circuit
8	25080	2	Cable Tie, Nylon, 7.3 In Long
9	1C516ER	1	Screw, Hex Hd Gr 5 .312-18 X 1.00
10	61D5ER	1	Nut Hex Hd Gr 5 .312-18
11	4E5E	1	Washer Lock .312
12	27E5ER	3	Flatwasher, Hardened, 5/16
13	17177	1	Filter, Hash 36V



ILLUSTRATED PARTS BREAKDOWN

This Page Left Blank on Purpose

CLICK HERE TO **DOWNLOAD** THE COMPLETE MANUAL

- Thank you very much for reading the preview of the manual.
- You can download the complete manual from: www.heydownloads.com by clicking the link below



- Please note: If there is no response to CLICKING the link, please download this PDF first and then click on it.

CLICK HERE TO **DOWNLOAD** THE COMPLETE MANUAL

ILLUSTRATED PARTS BREAKDOWN

DRIVE TIRE GROUP POLY 18 X 10 X 12.13, PART NO. 1412260-A

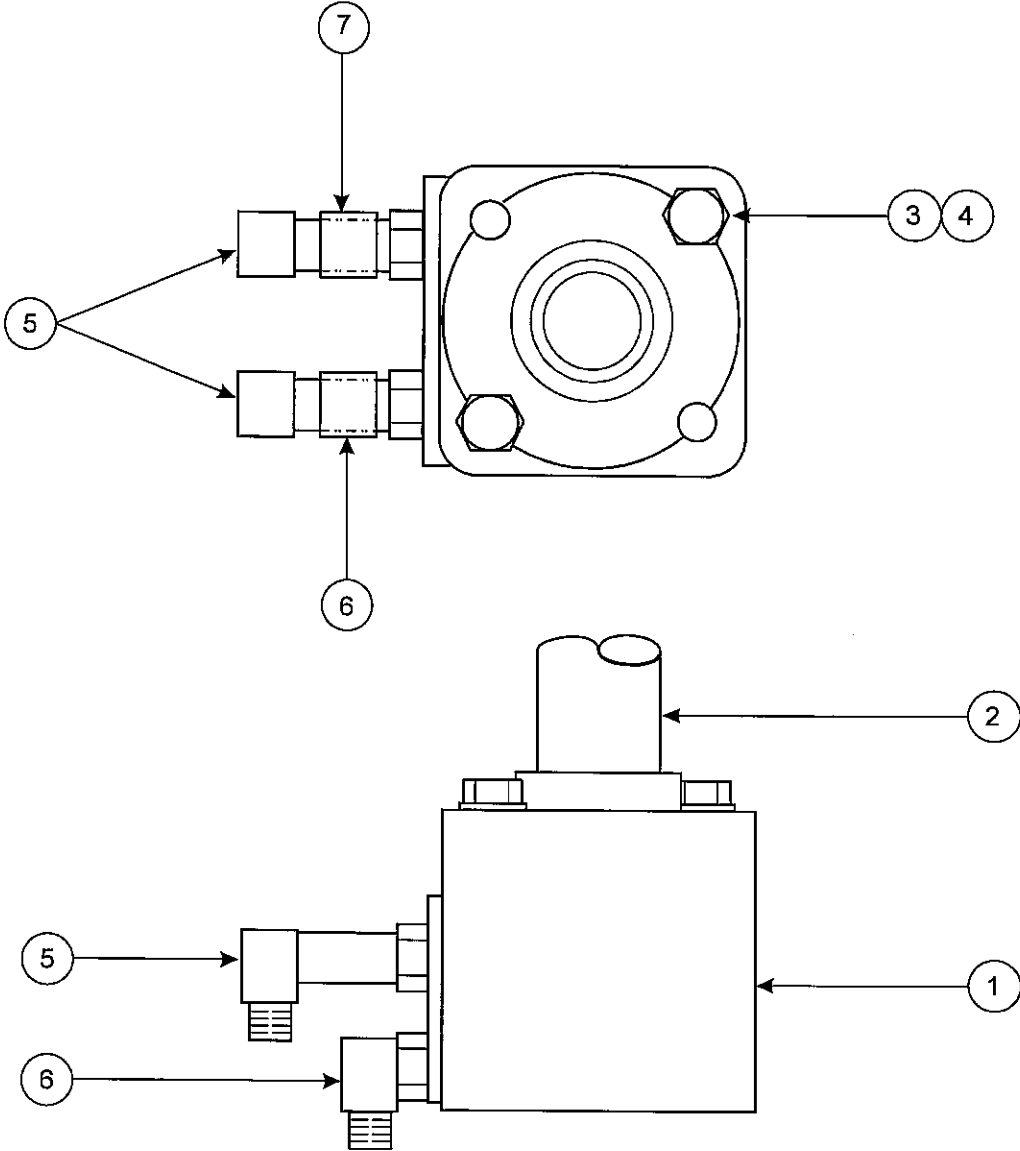
Item	Part No.	Qty	Description
1	16057-05	1	Tire, 95 Duro, Poly 18" Dia., 10" Width
2	6941-01	1	Tire Support Ring SI44/4

NOTE: This bill supplied as a reference to subordinate assemblies only. No illustration is provided.

ILLUSTRATED PARTS BREAKDOWN

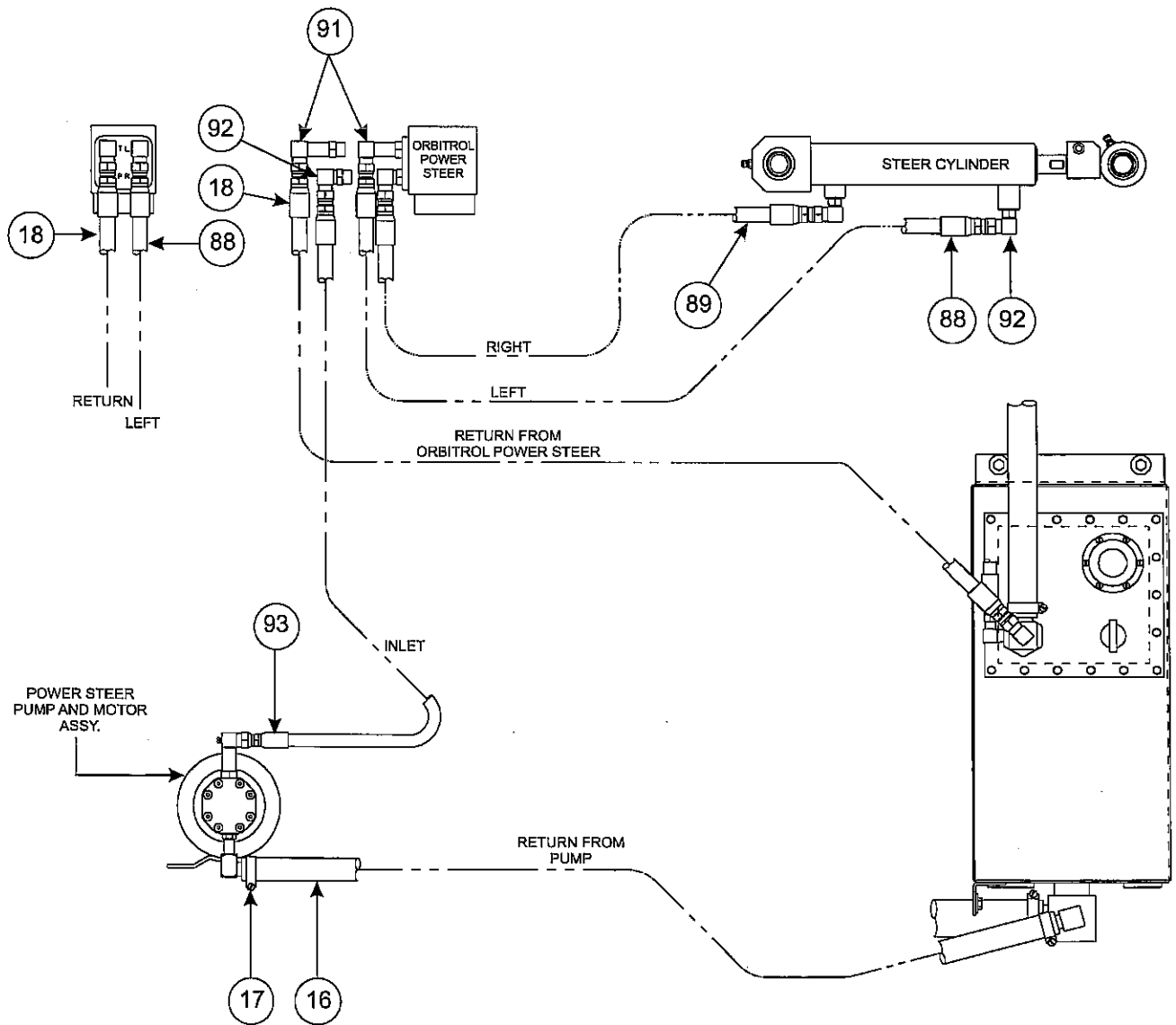
ORBITROL SUB-ASSY, PART NO. 17430-C

Item	Part No.	Qty	Description
1	25715	1	Steering Control Unit
2	25040	1	Column, Steer w/2 Horn Wires
3	1C616ER	2	Screw, Hex Hd Gr 5 .375-16 X 1.00
4	4E6E	2	Washer Lock .375
5	1400548	2	Elbow Ex Lg
6	17K6	1	Elbow, 90°, Std 3/4-16
7	1300059	1	Elbow, Male 90°



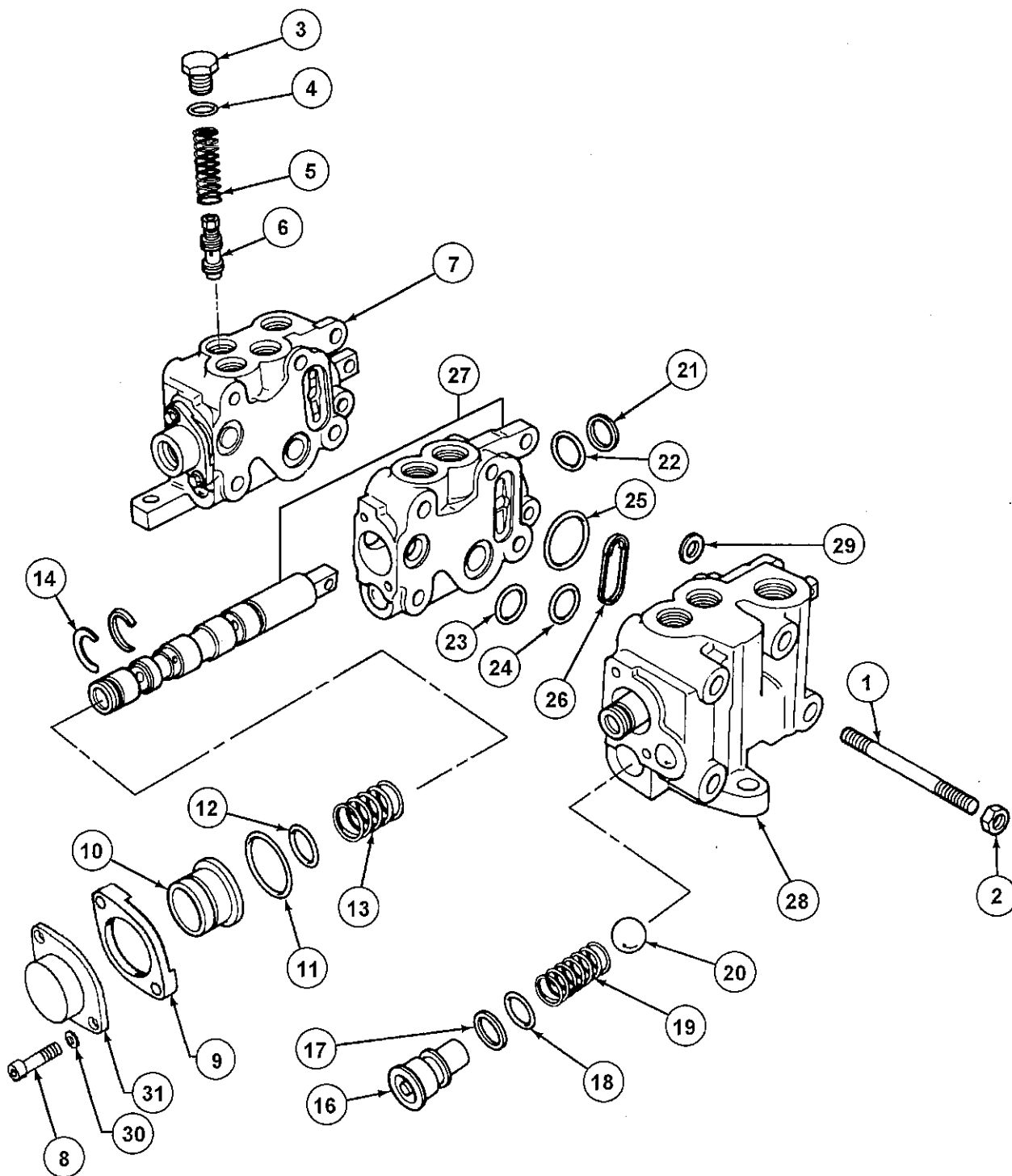
ILLUSTRATED PARTS BREAKDOWN

HYD ASSY w/o INTERLOCKS SINGLE AUX FUNCTION, PART NO. 1412541-A (Cont)



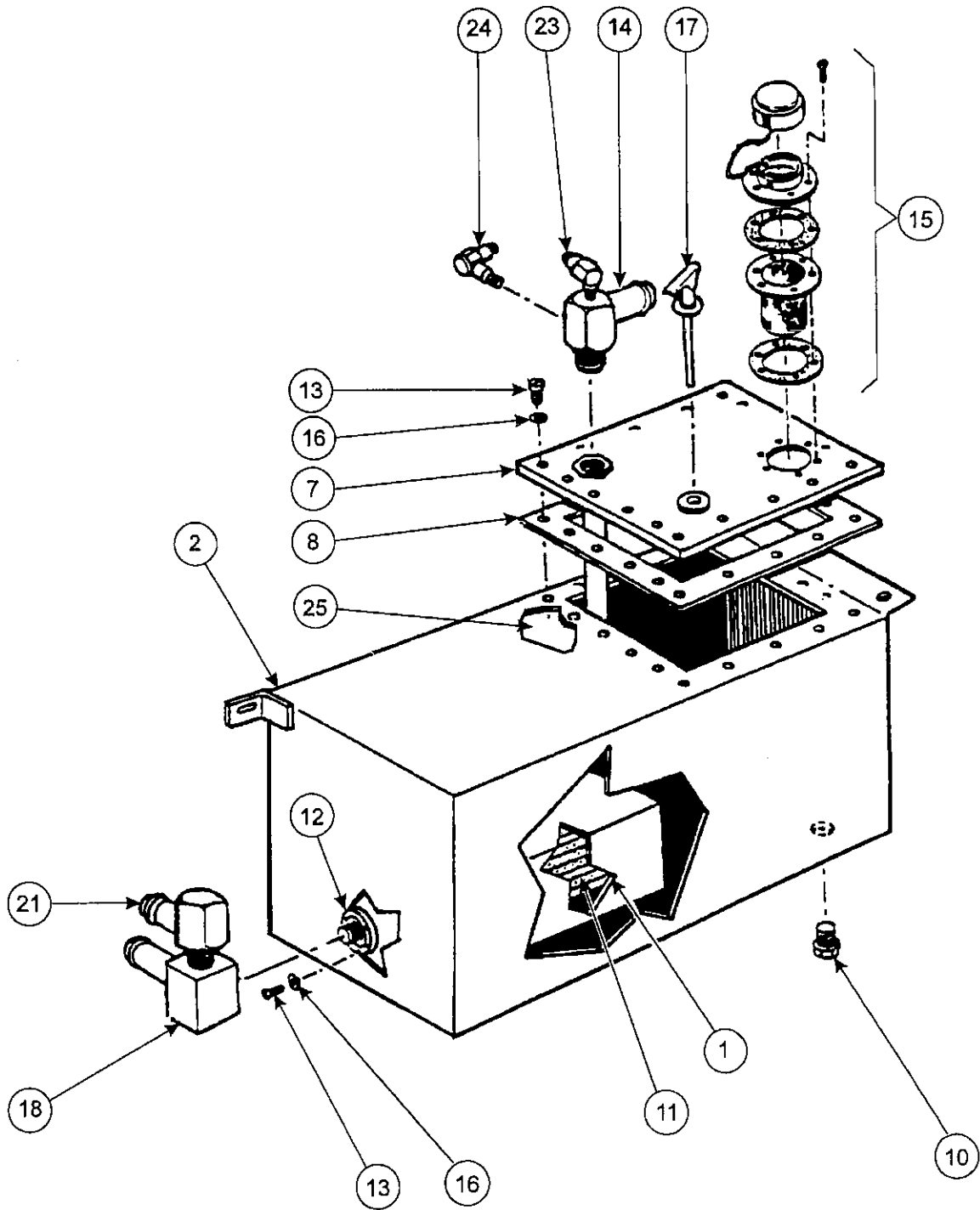
ILLUSTRATED PARTS BREAKDOWN

VALVE, CONTROL, MODIFIED, PART NO. 50701-01-B



ILLUSTRATED PARTS BREAKDOWN

RESERVOIR ASSY, PART NO. 10845-02-J



ILLUSTRATED PARTS BREAKDOWN

PARTS GROUP HYD w/LIFT SHIFT PIVOT, PART NO. 1412304-A

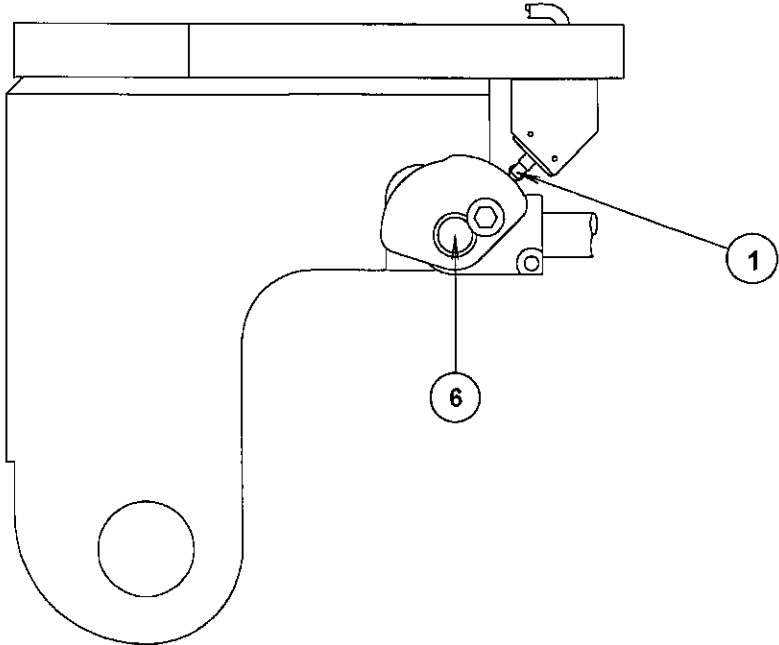
Item	Part No.	Qty	Description
3	27E6ER	1	Washer, Flat Nom. .375 Id
7	87F8	1	Fitting, Str, Male #12
13	1C616ER	1	Screw Hex Hd Gr 5 .375-16 X 1.00
25	1411967	1	Hose #12 Assy 22.00 OAL
26	1411968	1	Tube Assy
27	51209	1	Valve, Solenoid, Sae 12, 2-Way Nc, 36 VDC
28	1C440ER	2	Screw Hex Hd Gr 5 .250-20 X 2.50
29	4E4E	2	Washer Lock .250
30	27E4ER	4	Washer, Flat Nom. .25 Id
34	1412195	1	Hose #6 Assy 10.75 OAL
35	51032-31	1	Hose Assy, #6 31 1/16 OAL
36	15K5	1	Fitting, Straight, 9/16-18, Male w/O-Ring To Male
50	51199	2	Valve, Solenoid, Sae 6, 2-Way Nc, 36VDC
51	6558510	1	Elbow, 90° 9/16-18 O-To 9/16-18 Extra Lg
52	1C456ER	2	Screw, Hex Head 1/4-20 X 3 1/2
53	61D4ER	2	Nut Hex Hd Gr 5 .250-20
54	51033-15	Pht 1	Hose Assy, #6, 23 7/8 OAL
55	1412194	1	Hose #6 Assy 14.50 OAL
56	51064-17	Pht 1	Hose #12 Assy 41 OAL
70	1408379	1	Adapter, 90 Tube Turn- Short Male .562.18 To
72	1411540	1	Pin Pivot & Cam Weldt & Assy SI33/44 Hp
73	17K5	2	Elbow, 90° 9/16-18 O-Ring To 9/16 -18 JIC
90	17K8	2	Fitting, Hyd.

NOTE: Refer to the illustration for part number 1412541.

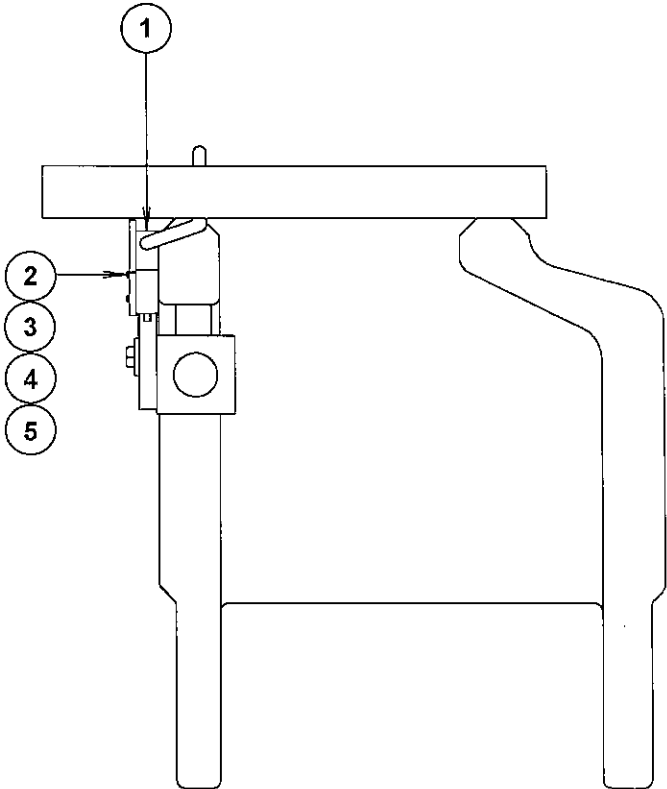
ILLUSTRATED PARTS BREAKDOWN

PIVOT SWITCH INSTALLATION SL33/44, PART NO. 1412314-A

TOP VIEW



SIDE VIEW



CLICK HERE TO **DOWNLOAD** THE COMPLETE MANUAL

- Thank you very much for reading the preview of the manual.
- You can download the complete manual from: www.heydownloads.com by clicking the link below



- Please note: If there is no response to CLICKING the link, please download this PDF first and then click on it.

CLICK HERE TO **DOWNLOAD** THE COMPLETE MANUAL