

Section 4 ILLUSTRATED PARTS BREAKDOWN

4.1 GENERAL

This section contains drawings and parts lists for the serviceable assemblies and components of the SL44/3 SwingMast® truck. Included are assembly and installation drawings created for manufacturing use which may help in locating or assembling parts.

4.2 REVISION LEVELS

In the titles for the various assemblies, the part numbers may be followed by a letter indicating the revision level. For example, part no. 17527-01-H is actually part no. 17527-01, revision H. If no letter follows the part number in the title, there is no revision applicable. The revision level is not included in the part numbers listed in the bills of material.

4.3 ABBREVIATIONS

The following abbreviations may be used in the descriptions for parts:

"O"	O-Ring	Hyd	Hydraulic
#n	In conjunction with hose, a measurement of the hose inner diameter in 32nds of an inch, e.g., #10 Hose is a hose with an inner diameter of 10/32 or 5/16".	ID	Inner Diameter or "Identification" (Tag or Plate)
Assy	Assembly	Int	Internal
Barb	Barbed, usually to describe a tapered hose nipple with ridges or "barbs" which keep the hose from slipping off.	JIC	Joint Industrial Conference, a group which sets standards for components. When used to describe a fitting, JIC indicates a 37° flare.
Cl	Class, used to specify yield strength of metric fasteners, e.g., Cl8.8.	LH, L.H.	Left Hand
Ext	External	Mn	Metric measurement of a fastener (e.g., M8, M10, etc.). The number indicates the nominal diameter in millimeters, e.g., M10 is a fastener with a diameter of 10 mm.
Fwd	Forward	Mtg	Mounting
GA	Gauge	Nom	Nominal, i.e., suitable for nearest practical dimension. For example, a washer suitable for a 5/16" screw will have an inner diameter greater than 5/16", but its nominal dimension is 5/16."
Hd	Head	NPT	National Pipe Thread
Hex	Hexagonal	NPTF	National Pipe Thread Fine
		NSS	Not supplied separately (i.e., an assembly or collection of parts which cannot be procured as separate items, usually because they must be matched to one another).
		OAL	Overall Length, usually to describe the stretched-out length of a hose or cable (including fittings) or the height of an unextended mast.
		OD	Outer Diameter
		ORB	O-Ring Boss, usually on a fitting, a threaded end equipped with a groove or lip to hold an O-Ring.
		REC	Schematic designator for an SCR (e.g., 4 REC.)
		Rev	Reverse
		RH, R.H.	Right Hand
		SCR	Silicon Controlled Rectifier
		Str	Straight, usually to describe a hydraulic fitting (vs. elbow)
		Subassy	Subassembly
		w/	"with"
		Weldt	Weldment

CLICK HERE TO **DOWNLOAD** THE COMPLETE MANUAL

- Thank you very much for reading the preview of the manual.
- You can download the complete manual from: www.heydownloads.com by clicking the link below



- Please note: If there is no response to CLICKING the link, please download this PDF first and then click on it.

CLICK HERE TO **DOWNLOAD** THE COMPLETE MANUAL

ILLUSTRATED PARTS BREAKDOWN

This Page Left Blank on Purpose

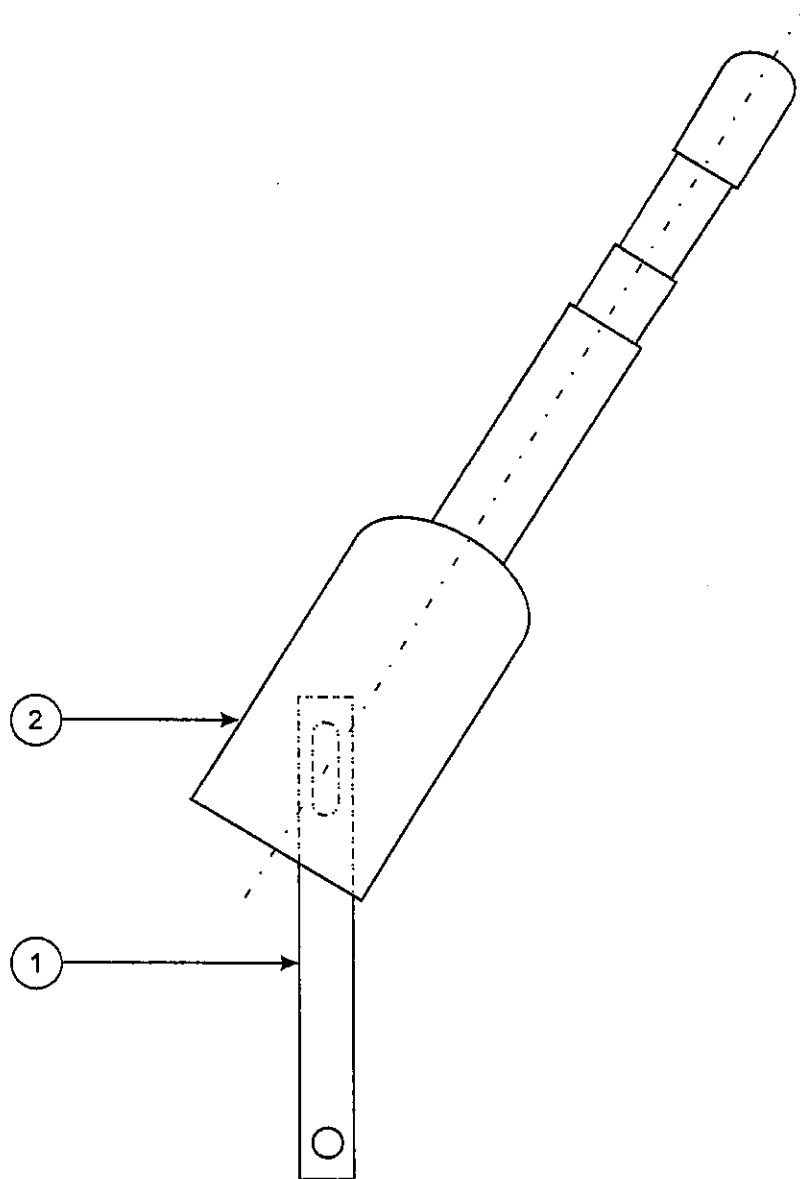
ILLUSTRATED PARTS BREAKDOWN

This Page Left Blank on Purpose

ILLUSTRATED PARTS BREAKDOWN

HAND BRAKE ASSY, PART NO. 17395

Item	Part No.	Qty	Description
1	11080	2	Link, Brake Lever
2	25171	1	Lever, Brake, Hand, Sd Mt



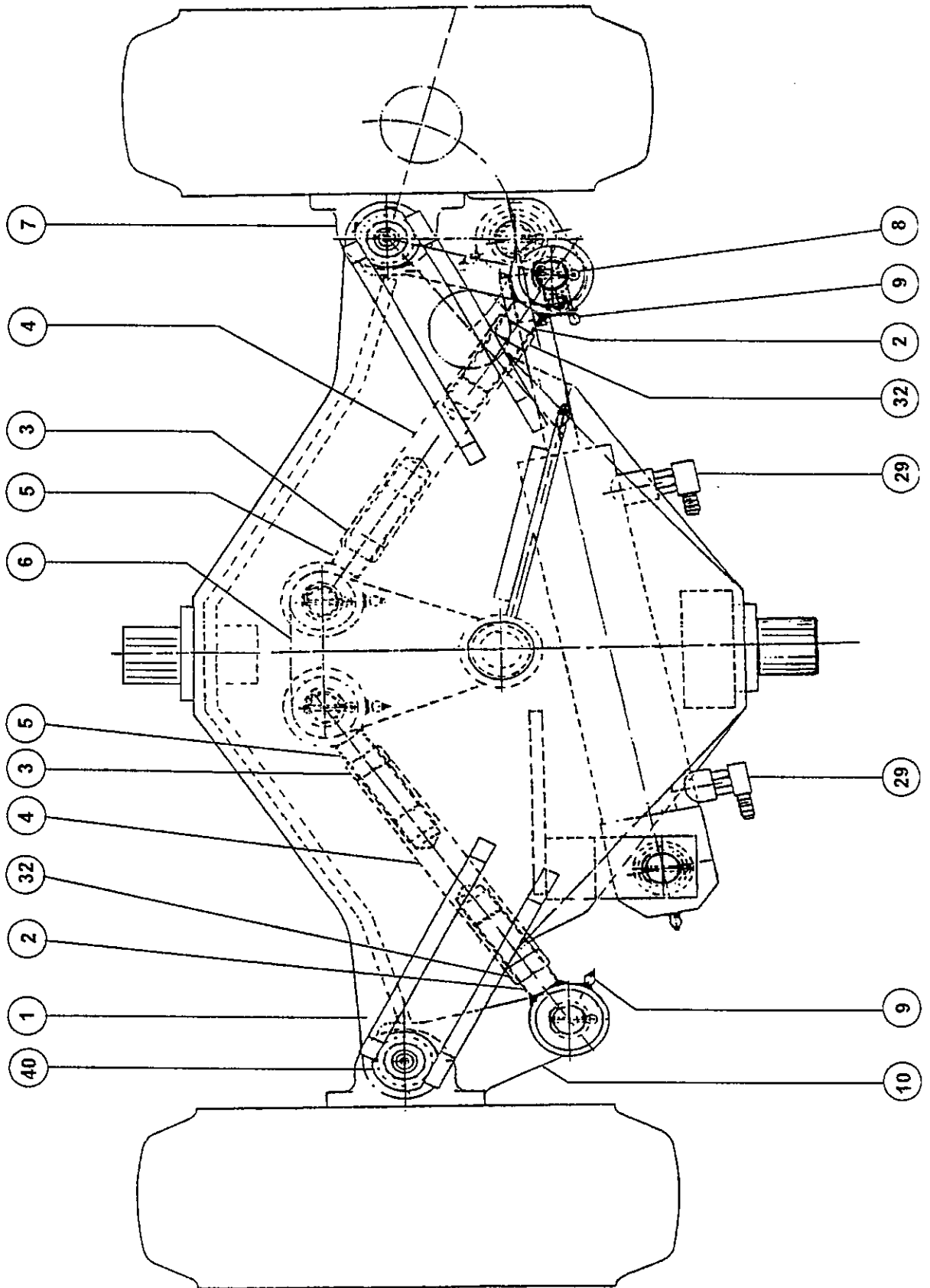
ILLUSTRATED PARTS BREAKDOWN

AXLE, DRIVE WITH KNOTT BRAKE, PART NO. 17133-S

Item	Part No.	Qty	Description
1	64D8ER	24	Nut Hex Hd Gr 8 .500-20
2	27E8ER	24	Washer, 1/2
3	1402608	2	Brakewheel Drum
4	1409680	24	Stud, 1/2-13/-20 x 2.12
5	27894	2	Cap
6	1402623	2	Nut, Slotted Hex, 1-1/4-18
7	28931	2	Washer, Flat
8	20053	2	Bearing Cone
9	20054	2	Bearing Cup
10	27903	2	Seal, Oil
11	1F428E	2	Cotter Pin, 1/8 x 1-3/4
12	26278	1	Clamp, Hold Down
13	26275	2	Spring, Return
14	26277	2	Spring, Pressure
15	53024	1	Spring Return
16	26272	2	Brake Shoe
17	1CM1225ER	1	Screw Hex Hd Cl 8.8 M12X1.75-25
18	26270	2	Washer, Cam Locking, M12
19	26261	2	Plug, Rubber, Brake Adjust Hole
20	1CM816ER	2	Screw Hex Hd Cl 8.8 M8X1.25-16
21	26269	1	Brake Adjuster
22	28218	1	Wheel Cylinder
23	1402782	2	Washer, Wave, M8
24	6EM60ER	2	Washer Lock Spring M6 Metric
25	1CM620ER	2	Screw Hex Hd Cl 8.8 M6X1.0-20
26	28219	1	Backing Plate & Cover
27	20046	2	Gasket, Non-Asbestos
28	27887	2	Final Drive Gear
29	20056	2	Bearing Cup
30	20055	2	Bearing Cone
31	64D12ER	8	Nut, Hex, 3/4-16
32	4E12E	8	Lockwasher, 3/4
33	52835	2	Spindle
34	1409677	8	Stud, 3/4-10/-16 x 2.50
35	20112	1	Axle Shaft Housing, LH
35	20113	1	Axle Shaft Housing, RH
36	17C616ER	20	Cap Screw, Hex Hd, 3/8-16 x 1.00
42	20291	2	Axle Shaft
43	28952	2	Ball Bearing
44	20073	2	Coupling
45	64D10ER	16	Nut, Hex, 5/8-UNF Gr 8
46	27E10ER	16	Washer, Lock, 5/8
47	20067	8	Dowel, Split Tapered
48	28918	16	Stud, 5/8-11/-18 x 2.12
49	20070	16	Gasket Shim, Paper, 0.007
49	52828	2	Gasket Non Asbestos
50	1412254	1	Screw, Hex Hd, Brass, 5/16-18 x 1/2
51	52814	1	Axle Housing
52	27886	4	Plug, Square Socket, 3/4-14NPTF
53	1404058	1	Washer, Brass, 5/16

ILLUSTRATED PARTS BREAKDOWN

ARTICULATED STEER AXLE ASSY SL44/3, PART NO. 14221-06-F



CLICK HERE TO **DOWNLOAD** THE COMPLETE MANUAL

- Thank you very much for reading the preview of the manual.
- You can download the complete manual from: www.heydownloads.com by clicking the link below

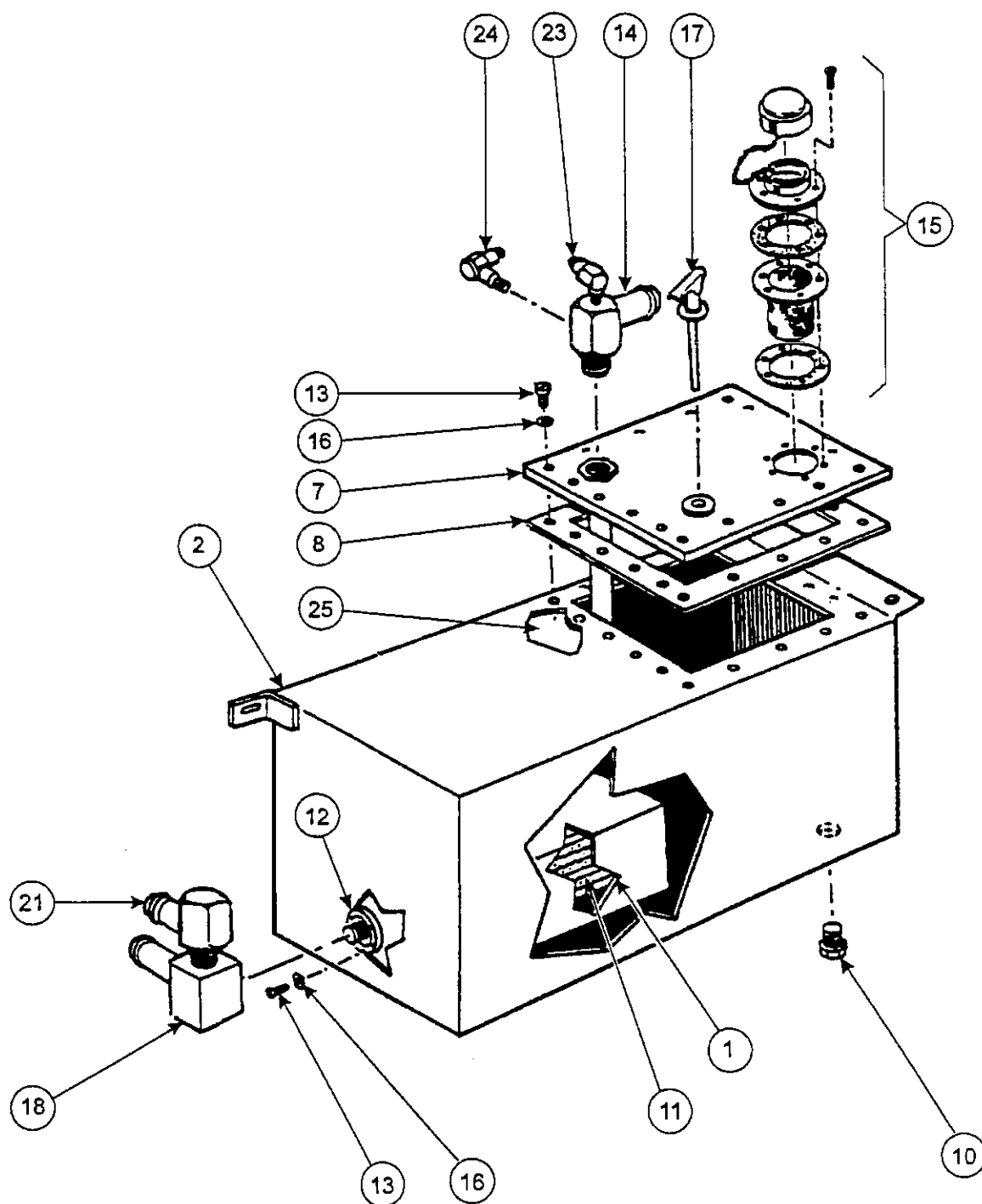


- Please note: If there is no response to CLICKING the link, please download this PDF first and then click on it.

CLICK HERE TO **DOWNLOAD** THE COMPLETE MANUAL

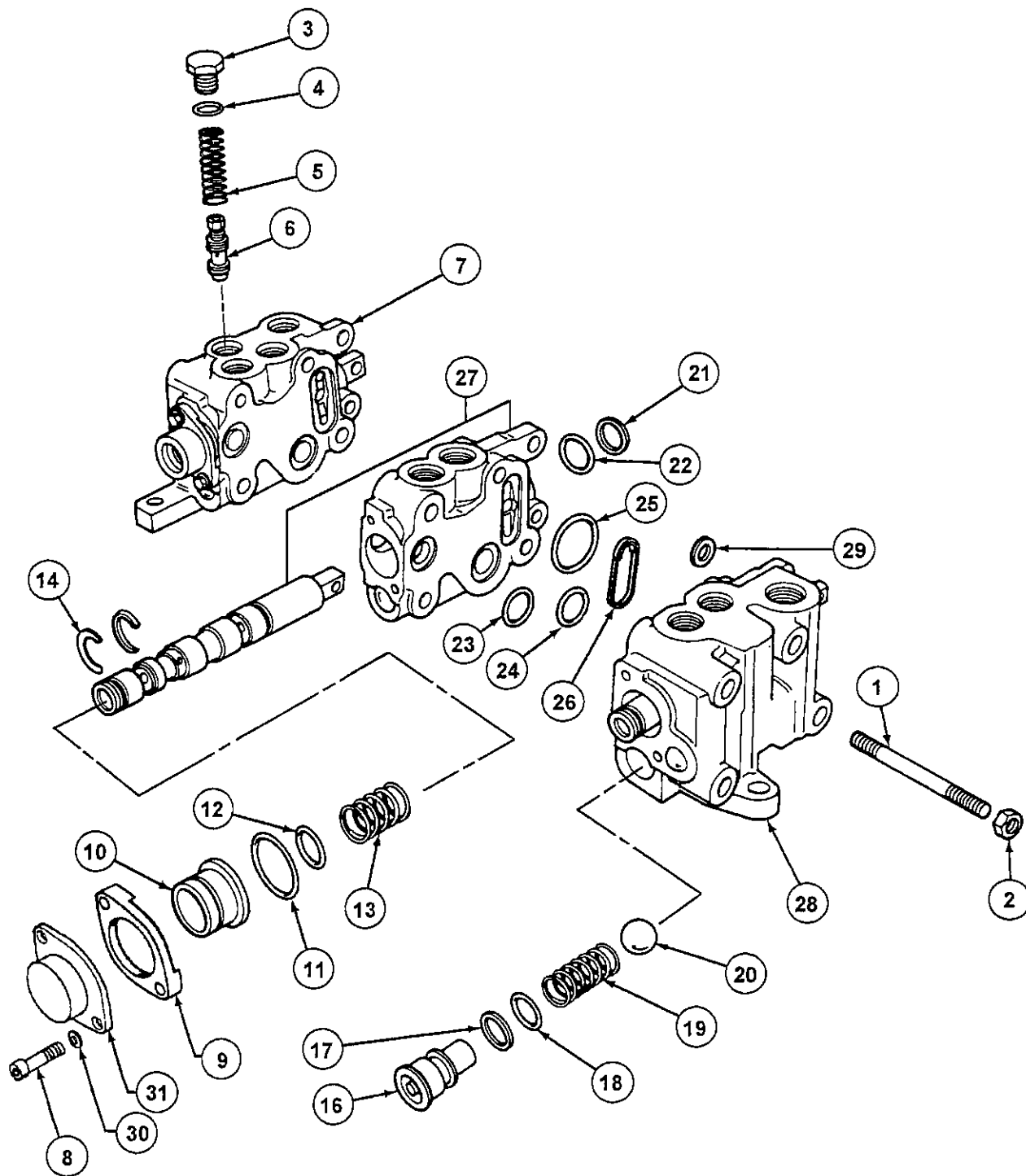
ILLUSTRATED PARTS BREAKDOWN

RESERVOIR ASSY, PART NO. 10845-02-J



ILLUSTRATED PARTS BREAKDOWN

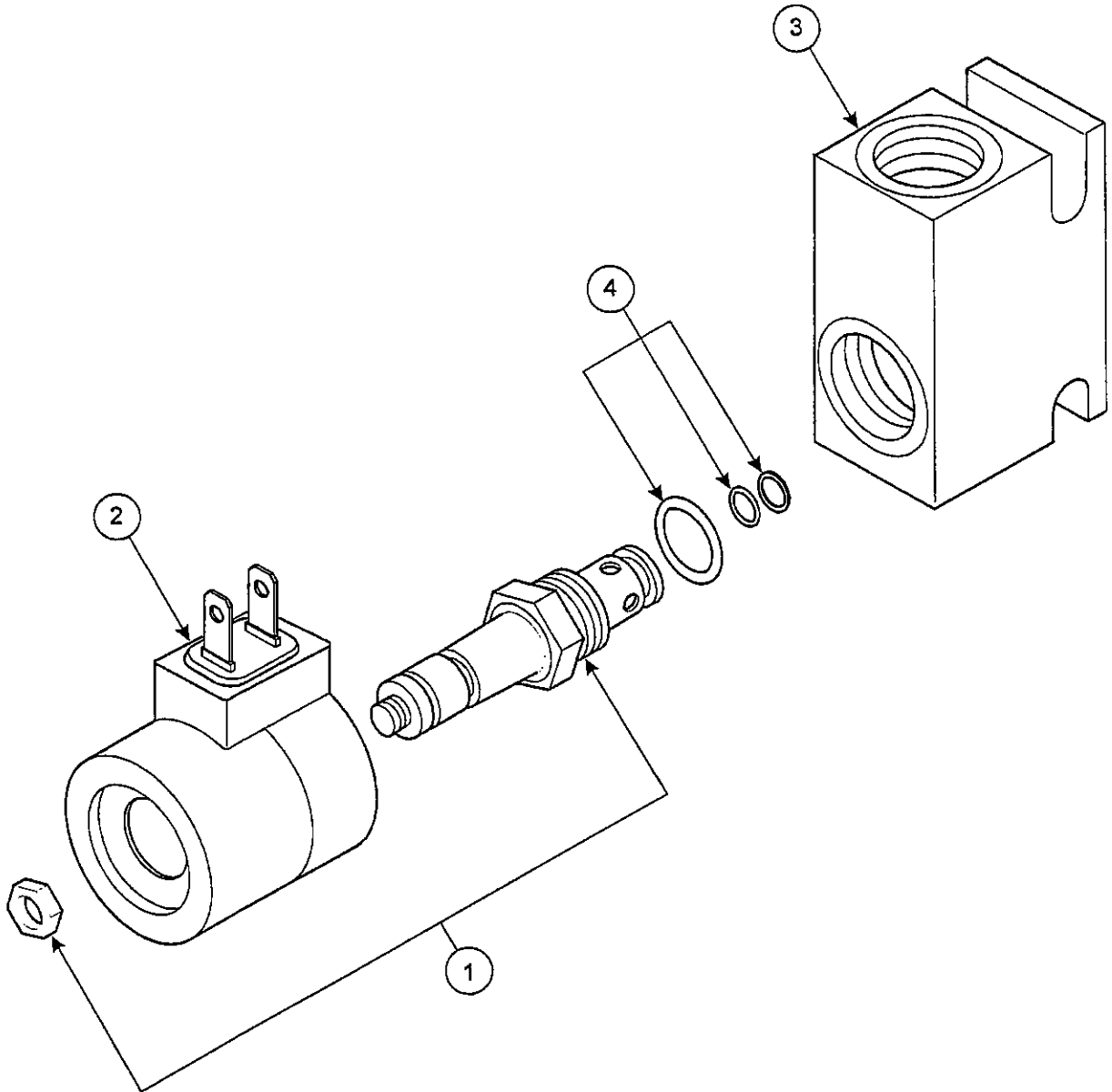
VALVE, CONTROL, MODIFIED, PART NO. 50701-01-B



ILLUSTRATED PARTS BREAKDOWN

VALVE, SOLENOID, SAE 6, 2-WAY NC, 36VDC, PART NO. 51199-A

Item	Part No.	Qty	Description
1	51199-2	1	Cartridge
2	51199-3	1	Coil, 36 VDC
3	51199-4	1	Housing, Sae 6, 2-Way, #10
4	51199-1	1	O-Ring Kit



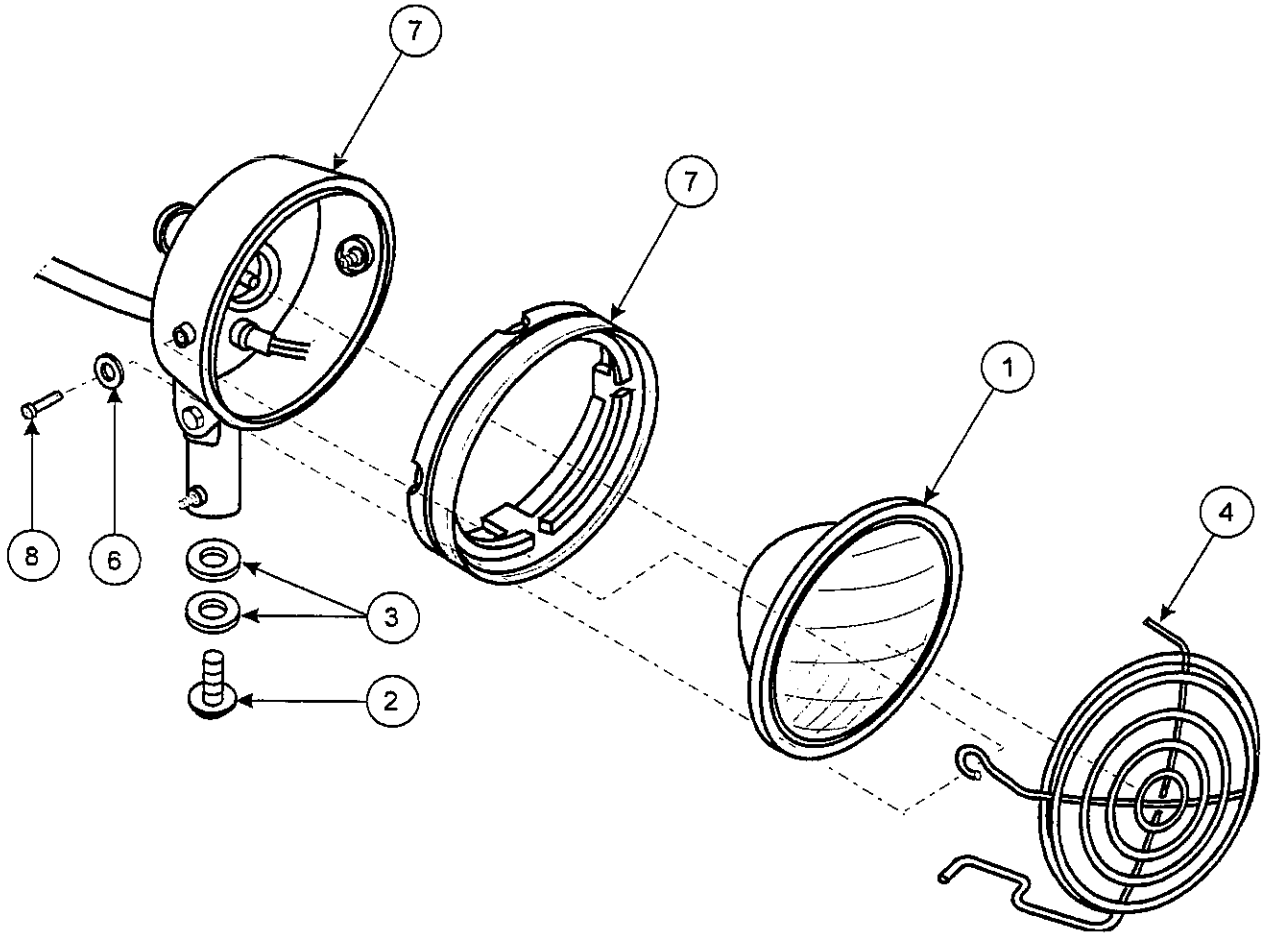
ILLUSTRATED PARTS BREAKDOWN

This Page Left Blank on Purpose

ILLUSTRATED PARTS BREAKDOWN

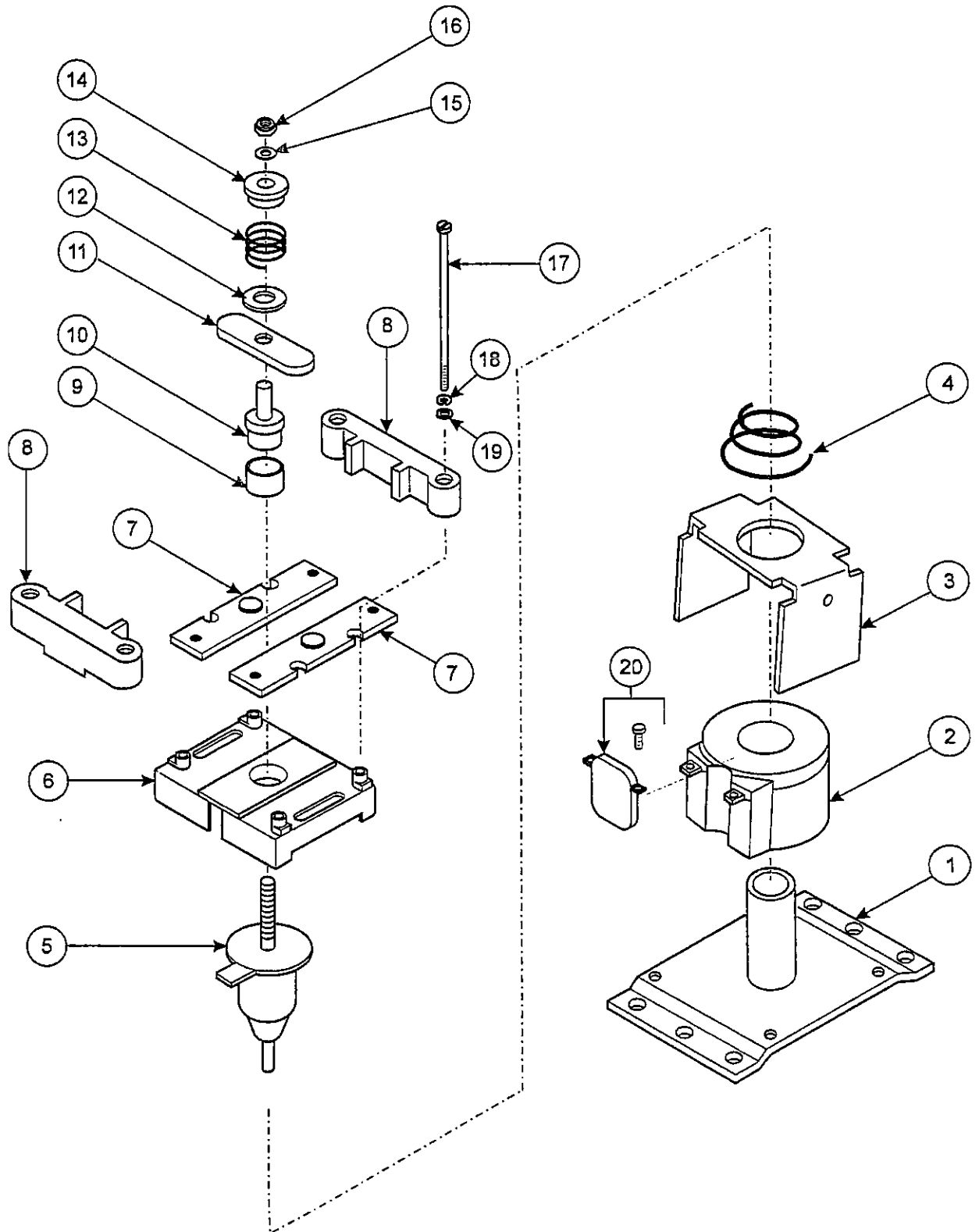
SPOTLIGHT, w/GUARD 36 VDC, PART NO. 25054-B

Item	Part No.	Qty	Description
1	25578	1	Lamp, Sealed Beam, 36V
2	25576	1	Screw, Oven Hd, 3/8-16X1, Zn-Plated
3	25577	2	Washer, Nylon, 210 ID X.525 OD X .050 Thick
4	28763	1	Guard
6	25665	2	Lockwasher, Int. Tooth #8
7	28762	1	Shock Mount Rim
8	85G806E	1	Screw Pan Hd. #8-32X 3/8



ILLUSTRATED PARTS BREAKDOWN

CONTACTOR, SPNO, 300A, 36VDC COIL, PART NO. 28889-D



CLICK HERE TO **DOWNLOAD** THE COMPLETE MANUAL

- Thank you very much for reading the preview of the manual.
- You can download the complete manual from: www.heydownloads.com by clicking the link below



- Please note: If there is no response to CLICKING the link, please download this PDF first and then click on it.

CLICK HERE TO **DOWNLOAD** THE COMPLETE MANUAL