

## Section 8 PARTS LIST

## 8.1 GENERAL

This chapter provides a list of all service parts showing the part number and name. Also provided is an index which shows the part number and the page or pages in the Parts Breakdown (Section 9) where it can be found. For example, if a part number is indexed to 1, 3 and 5, it means that this part number will be listed on pages 9-1, 9-3, and 9-5 in Section 9.

Part numbers are listed alphanumerically rather than numerically. This means that part number 1400000 will precede part number 290000, even though the second part number is smaller numerically. However, because of the large variety of part numbers and the inclusion of letters, it has been found to be easier to locate numbers in this manner.

## 8.2 WELDMENTS

Weldments are usually steel shapes used for joining, forming, or strengthening various structures. As their name implies, they are typically welded into place, and cannot be removed or serviced. They are included in the parts breakdowns as reference items, but are not usually replacement items (except when they function as doors or access panels). They may be abbreviated as *Weldt.*

## 8.3 CONSUMABLES

As a convenience, consumable items such as fuses and filters are listed below. They may also be found by part number in the description list and the index.

## 8.3.1 Fuses

1401982	Fuse, 15A
1401983	Fuse, 20A
1401981	Fuse, 10A
913902	Fuse, 300A
2798500	Fuse, 80A

## 8.3.2 Filters

25954	Filter, Sump
1400263	Filter, Filter, Strainer
50870-2	Filter

## 8.3.3 Brushes

1401486	Brush
1402083	Brush
1402101	Brush

CLICK HERE TO **DOWNLOAD** THE COMPLETE MANUAL

- Thank you very much for reading the preview of the manual.
- You can download the complete manual from: [www.heydownloads.com](http://www.heydownloads.com) by clicking the link below



- Please note: If there is no response to CLICKING the link, please download this PDF first and then click on it.

CLICK HERE TO **DOWNLOAD** THE COMPLETE MANUAL

<u>Part Number</u>	<u>Description</u>
50365	Nameplate, CAUTION
8800	Nameplate, FM
1403978	Nameplate, Load Rating
1402365	Needle Bearing Kit
51695	Never-Seez Nickel Lub Spray Per Mil-A-907D
1402191	Nut
52954	Nut
1400916	Nut, Conical (Half Round) M14 X 1.5 for Drive Wheel
1400900	Nut, Flange M14 x 1.5
23905	Nut, Flexnut 5/16-24
1402188	Nut, Grooved
62D4ER	Nut, Hex 1/4-28 Unf
23935	Nut, Hex, Flex Lock 3/8-16
1DM10ER	Nut, Hex Hd Cl 8.8 M10 X 1.5
1DM6ER	Nut, Hex Hd Cl 8.8 M6 X 1.0
61D4ER	Nut, Hex Hd Gr 5 .250-20
61D5ER	Nut, Hex Hd Gr 5 .312-18
62D6ER	Nut, Hex Hd Gr 5 .375-24
61D6ER	Nut, Hex Hd Gr 5 .375-16
62D5ER	Nut, Hex Hd GR5 .312-24
1401293	Nut, Hex Hd, Jam M12-1.25
1DM12ER	Nut, Hex Hd M12 X 1.75 Class 8
1DM8ER	Nut, Hex Hd M8 X 1.25
1402171	Nut, Hex, M10-5, DIN934
3DM12ER	Nut, Hex, M12-1.25
1DM5ER	Nut, Hex M5 X .08 Class 8
12D6E	Nut, Hex No. 6-32
25094	Nut, Hex Steering Column
1401788	Nut, Jam, M10 X 1.50
25154	Nut, Lock
50423	Nut, Lock
40DM6ER	Nut, Lock Hex Hd Cl 10 M6 X 1.0 Prevail Torque
40DM10ER	Nut, Lock Hex Hd Cl 10 M10 X 1.5 Prevail Torque
40DM12ER	Nut, Lock Hex Hd M12 X 1.75 Prevail. Torque Class 10
1401422	Nut, special
1401420	Nut, special
1410601	Nut, Square Machine .190-32 Unf-2B
1400362	Nut, Tube Sleeve Type 1.63-12 JIC
1401012	Nut, U 8mm X 1.25 Long Engagement Type
1308629	Nut, U-type
1400646	Oil Filter Assembly
2777708	Oil, gear Sae-90 Per Mil-I-2105c
2776239	Oil, Hyd Sae-10 Commercial Trucks only H0-8-32
1400632	Operator Console Group
1400634	Overhead Guard Group
1400307	Overhead Guard Weldment
1401118	Packing, Piston
52942	Packing, Piston
1401111	Packing Rod

# PARTS LIST

<u>Part Number</u>	<u>Page</u>	<u>Part Number</u>	<u>Page</u>
1400650	66, 74, 75	1401109	138
1400651	50, 56, 57, 59	1401110	138
1400653	125, 140, 141, 143	1401111	130, 138
1400656	92	1401112	130, 134, 138
1400660	82	1401113	134, 138
1400689	41	1401114	138
1400692	62	1401115	138
1400693	62	1401116	138
1400694	6, 8, 9	1401117	138
1400695	12, 15-17	1401118	138
1400696	110, 115	1401119	138
1400697	110, 115	1401120	138
1400711	140	1401123	130, 134
1400839	14	1401124	130
1400858	22	1401125	130
1400859	22	1401126	130, 134
1400898	14	1401127	130
1400899	14	1401128	130, 134
1400900	6	1401129	130, 134
1400913	88	1401130	130
1400914	88	1401131	130, 134
1400915	88	1401132	130, 134
1400916	6	1401144	146
1400919	88	1401149	20
1400926	88	1401151	125
1400927	88	1401152	41
1400928	88	1401154	115
1400929	88	1401155	86
1400931	50, 62, 63	1401160	12
1400942	62	1401205	22
1400968	74, 79	1401206	22
1400971	56	1401207	22
1400975	19	1401216	116
1400976	19	1401225	134
1400989	128	1401226	134
1401003	125, 144, 145	1401229	110
1401012	50, 82	1401239	6, 10, 11
1401022	60	1401248	94
1401046	68	1401259	19
1401101	146	1401260	19
1401102	138	1401293	126
1401103	50	1401295	12
1401104	138	1401297	68
1401105	138	1401302	110
1401107	134, 138	1401308	110
1401108	138	1401378	82

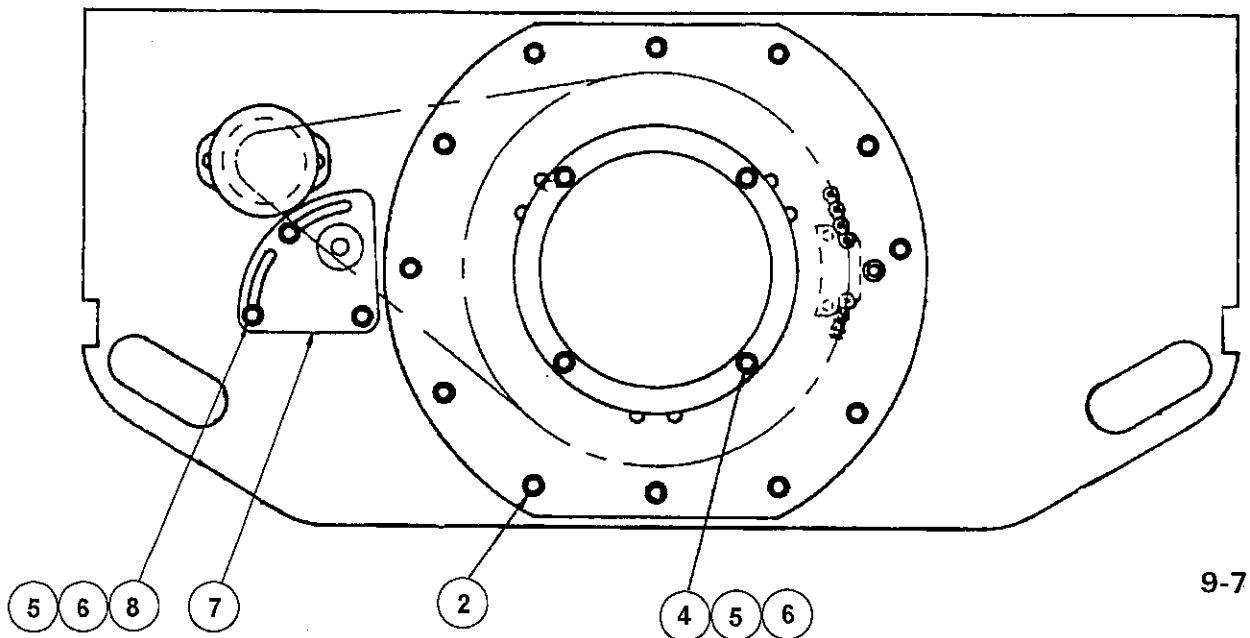
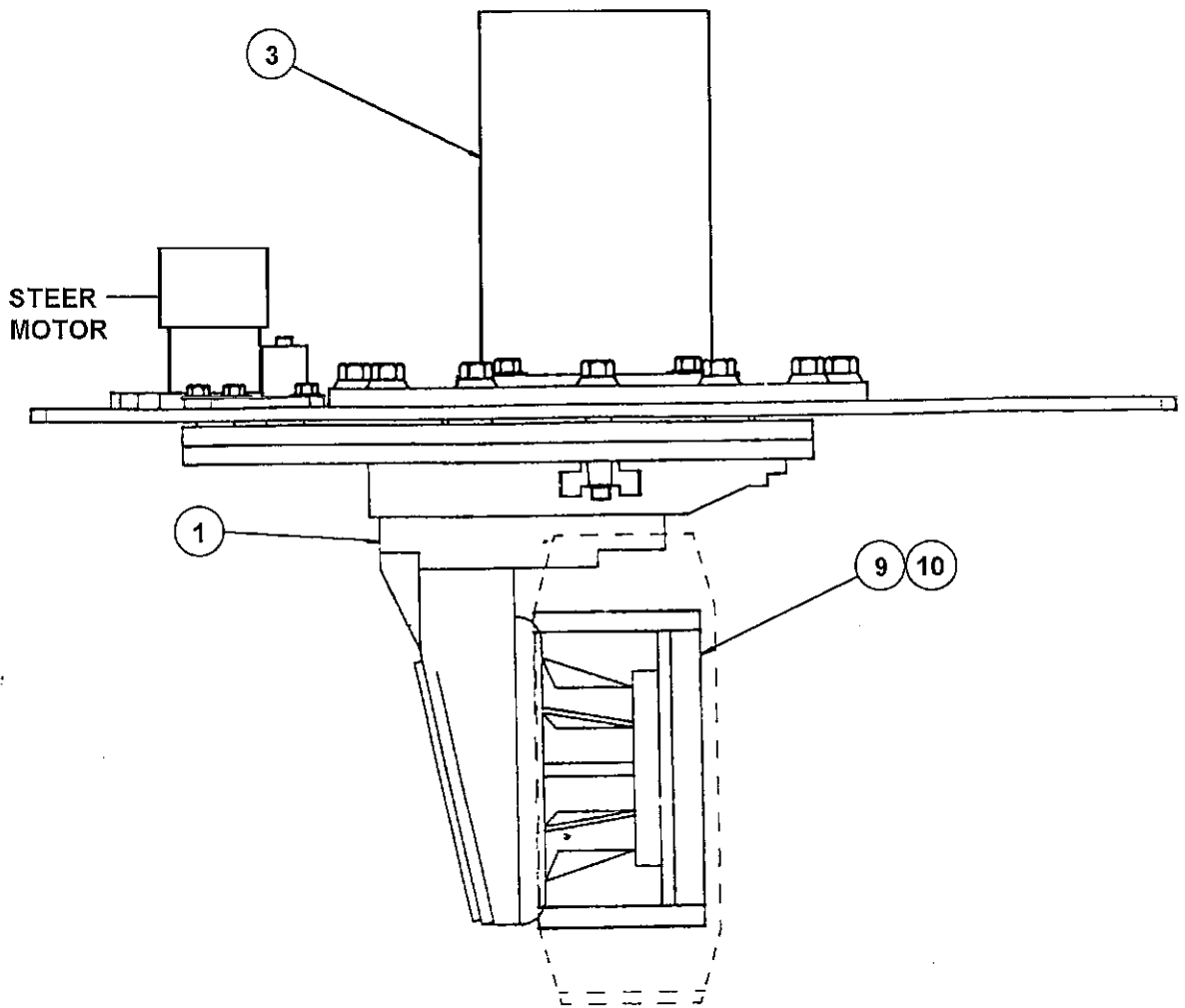
## Section 9 ILLUSTRATED PARTS BREAKDOWN

### Table of Contents

9.1 GENERAL	9-1
9.2 ABBREVIATIONS	9-1
9.3 PARTS NOT SHOWN	9-1
9.4 PHANTOM AND REFERENCE PARTS	9-1
9.5 PARTS OUTLINE	9-1
SLT22-30 TYPE E STANDARD Assemblies	9-5
Drive Group Part No. 1400628	9-6
Drive Motor Part No. 1400694	9-8
Idler Assembly Part No. 1401239	9-10
Drive Assembly Part No. 1400645	9-12
Chain Assembly Part No. 1400109	9-14
Drive Unit Part No. 1400695	9-15
Hydraulic Group Part No. 1400629	9-19
Hydraulic Valve Assembly Part No. 1400642	9-22
Stack Valve Part No. 1400270	9-24
Main Pump & Motor Assembly Part No. 1400643	9-29
Main Pump Part No. 1400269	9-30
Main Pump Electric Motor Part No. 1400268	9-32
Steer Pump & Motor Assembly Part No. 37506	9-34
Steering Pump Electric Motor Part No. 51735	9-36
Hydraulic Steering Pump Part No. 51734	9-39
Power Steering Hydraulic Assembly Part No. 1400649	9-41
Steering Motor Part No. 25950	9-42
Hydraulic Reservoir Assembly Part No. 1400258	9-44
Oil Filter Assembly Part No. 1400646	9-47
Manifold Assembly Part No. 1402869	9-48
Operator Console Group Part No. 1400632	9-50
Instrument Panel Assembly Part No. 1400651	9-56
Console Cover Assembly Part No. 1401860	9-60
Side Console Assembly Part No. 1400931	9-62
Joystick Assemblies Part Nos. 1406119 & 1406120	9-64
Console Panel Assembly Part No. 1400498	9-66
Service Brake Components Part No. 1400648	9-68
Cylinder, Master, Part No. 20210	9-72
Steering Components Part No. 1400650	9-74
Steering Control Unit Part No. 25975	9-76
Steering Column, 10", Part No. 1400968	9-79
Electrical Components Part No. 1401464	9-80
Final Assembly Group Part No. 1400639 (Sheet 1 of 2)	9-82
Level Indicator Assembly, Part No. 1405961	9-84
Fluids Group Part No. 1400640	9-85
Rear Compartment Group Part No. 1401777	9-86
Electrical Group Part No. 1400631	9-88
Battery Connector Subassembly Part No. 1401475	9-92

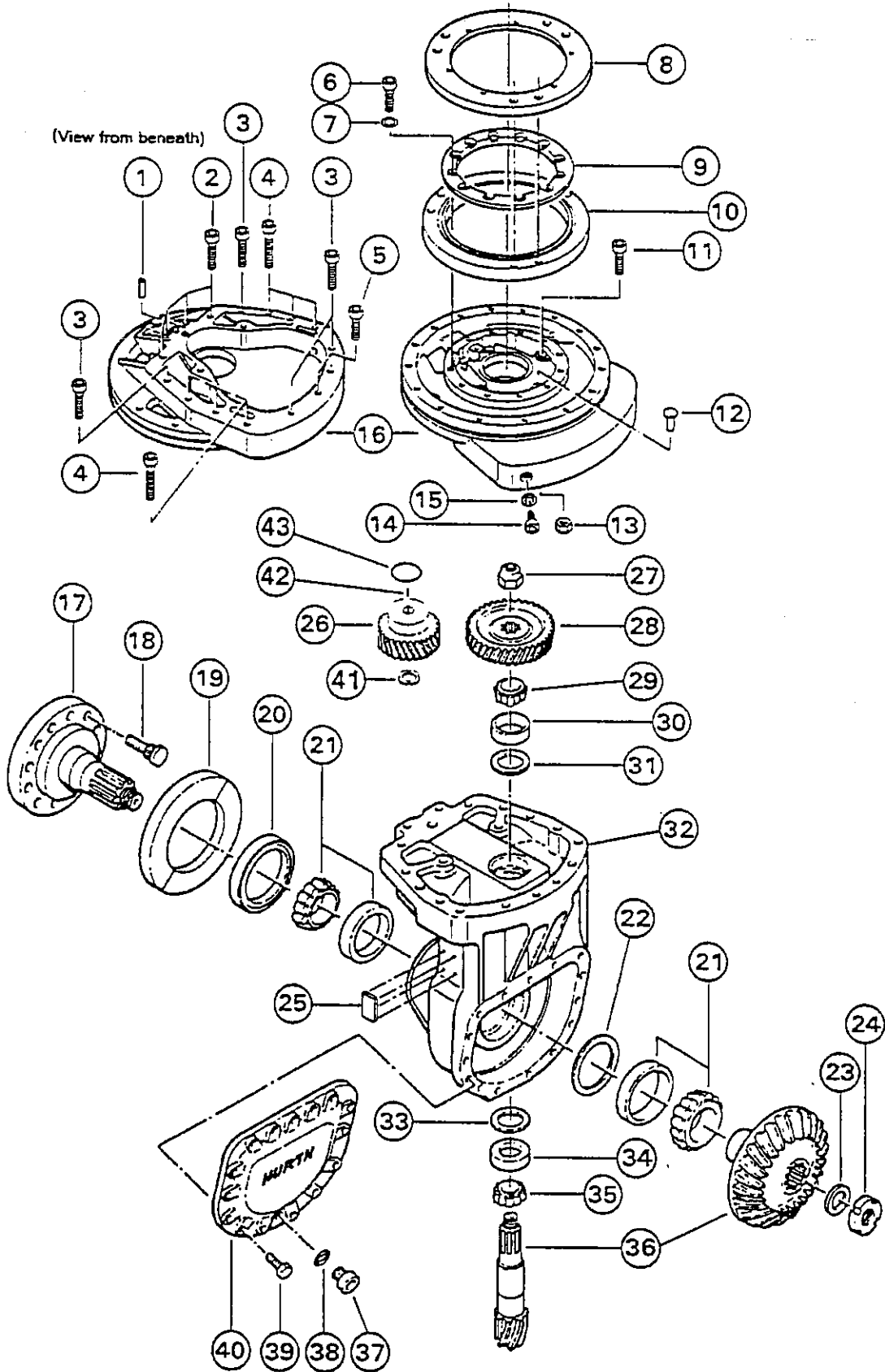
# ILLUSTRATED PARTS BREAKDOWN

DRIVE GROUP PART NO. 1400628-F



# ILLUSTRATED PARTS BREAKDOWN

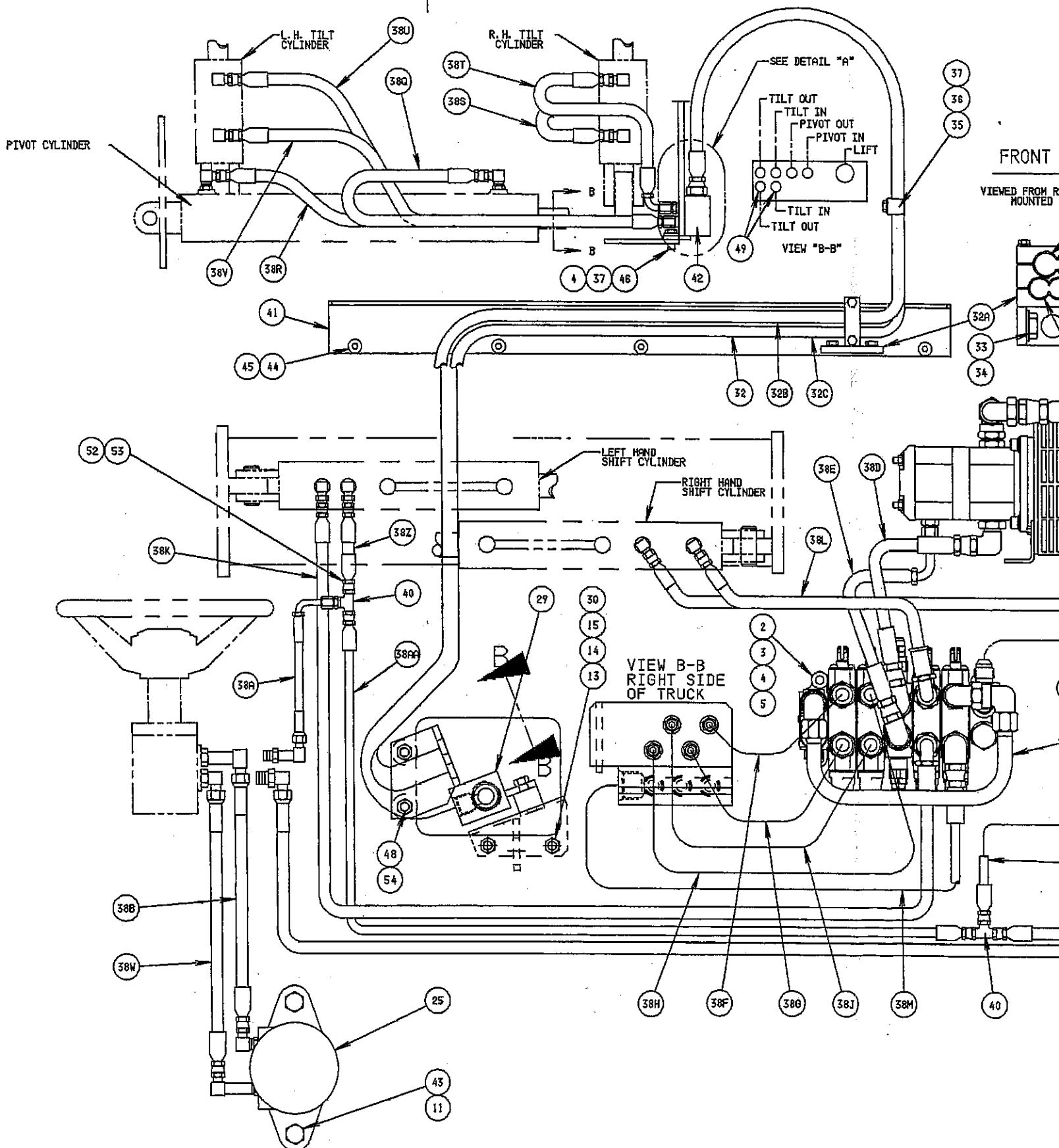
DRIVE UNIT PART NO. 1400695-A



HYDRAULIC GROUP PART NO.1400629 Rev.U

MAST MANIFOLD

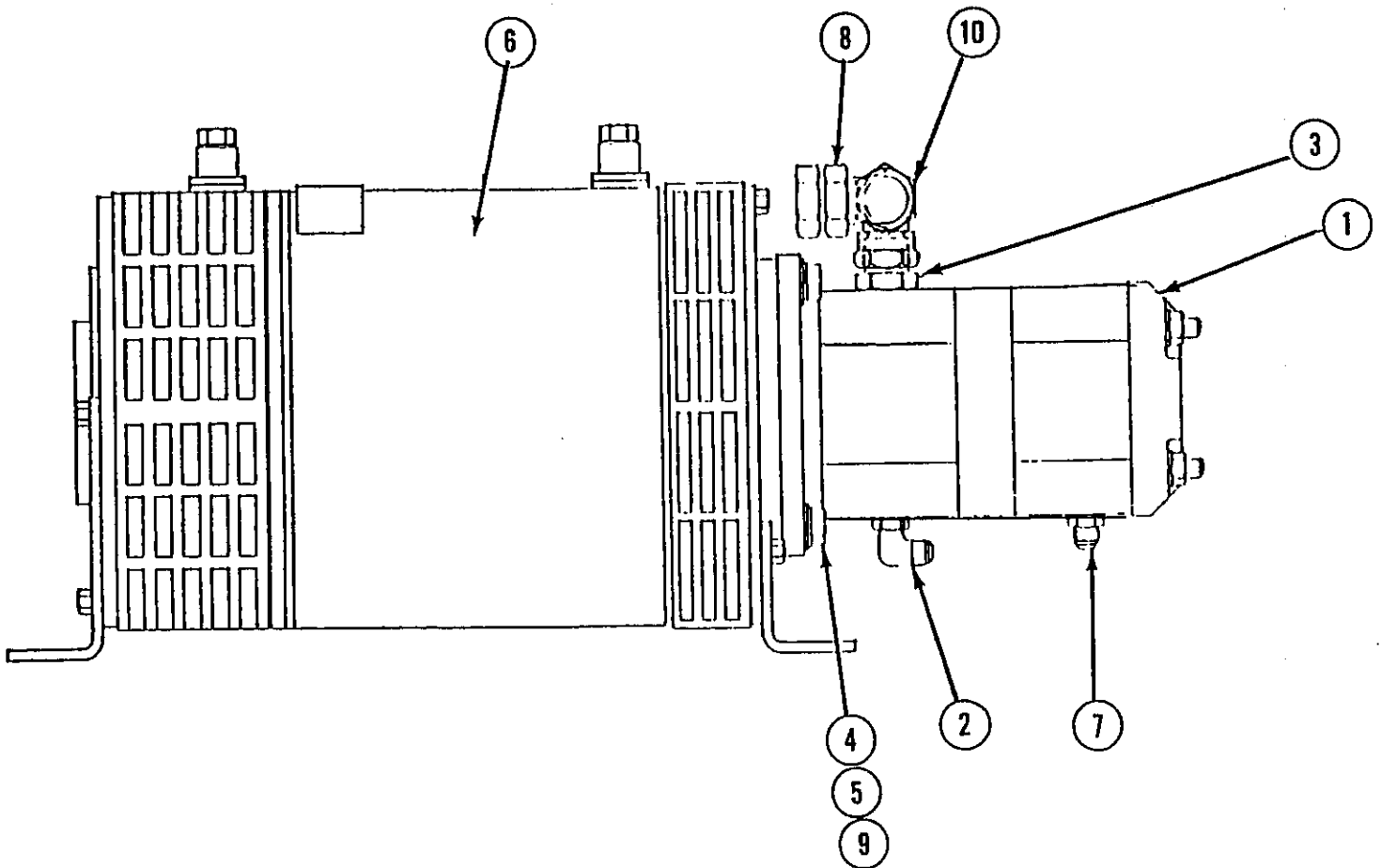
FRONT OF TRUCK



# ILLUSTRATED PARTS BREAKDOWN

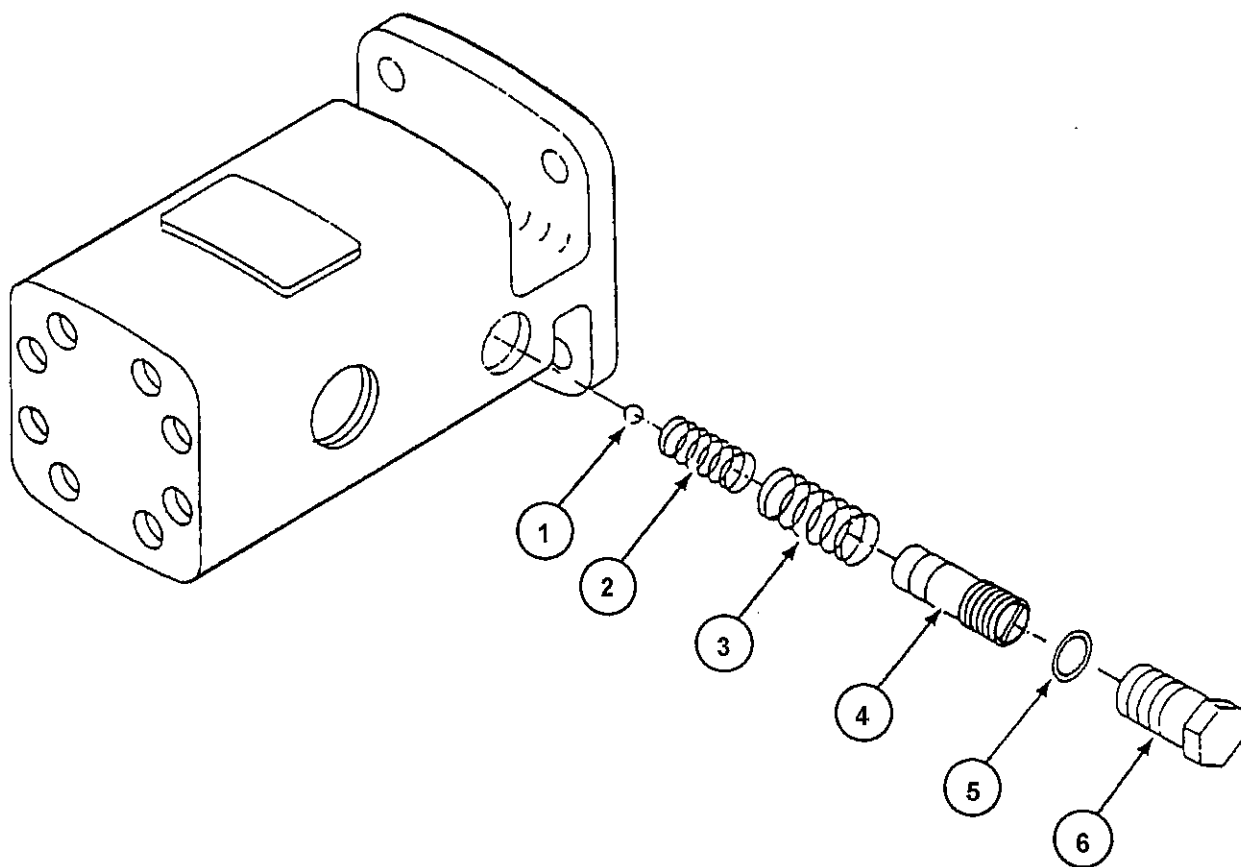
## MAIN PUMP & MOTOR ASSEMBLY PART NO. 1400643-D

<u>Item</u>	<u>Part Number</u>	<u>Qty</u>	<u>Description</u>
1	1400269	1	Pump, Gear
2	17K7	1	Elbow, 90° 7/8-14 "O" to 7/8-14 Tube
3	1405581	1	Elbow, 90° "O" Ring Adapter Fitting
4	74G620ER	2	Screw, Soc. Hd. Gr.8 3/8-24 X 1 1/4
5	4E6E	2	Washer, Lock .375
6	1400268	1	Motor, Pump
7	15K7	1	Connector, Male .875-14 "O" ring to .875-14 JIC
8	1401846	1	Fitting, Tube Adapter 90° El.
9	27E6ER	2	Washer, Flat Nom. .375 ID



HYDRAULIC STEERING PUMP PART NO. 51734-A

<u>Item</u>	<u>Part Number</u>	<u>Qty</u>	<u>Description</u>
1	1409990	1	Ball
2	1402766	1	Spring
3	1402765	1	Spring
4	1409991	1	Adjusting Screw
5	1402762	1	Gasket, copper
6	1402763	1	Cap



CLICK HERE TO **DOWNLOAD** THE COMPLETE MANUAL

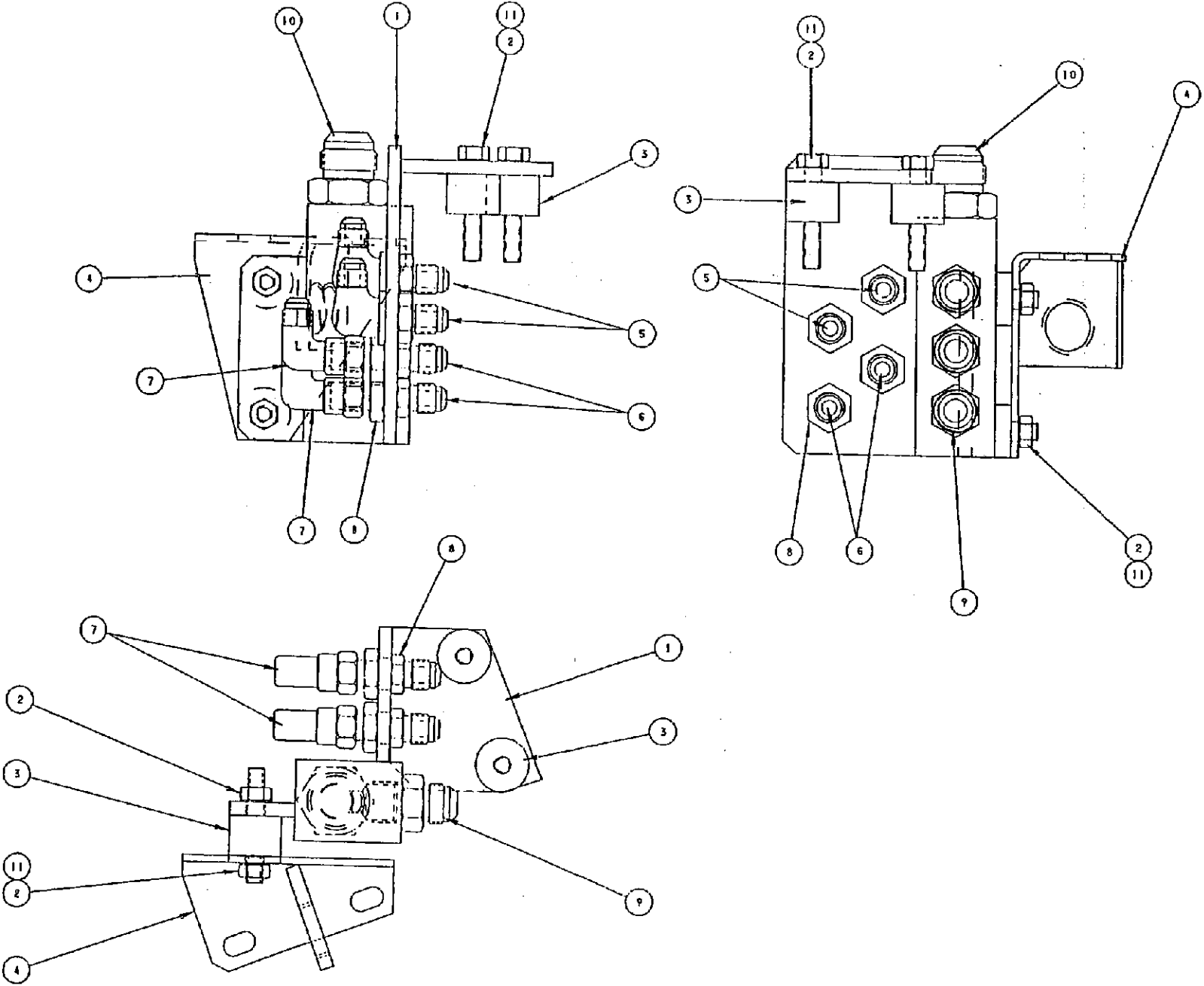
- Thank you very much for reading the preview of the manual.
- You can download the complete manual from: [www.heydownloads.com](http://www.heydownloads.com) by clicking the link below



- Please note: If there is no response to CLICKING the link, please download this PDF first and then click on it.

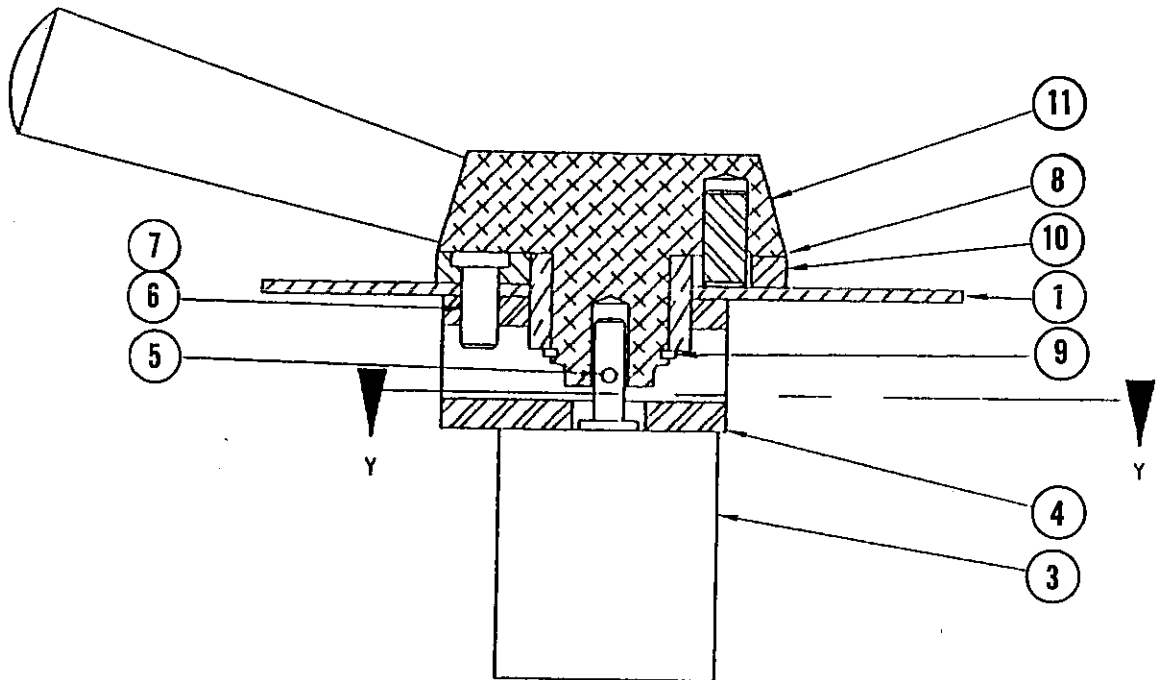
CLICK HERE TO **DOWNLOAD** THE COMPLETE MANUAL

ILLUSTRATED PARTS BREAKDOWN  
TRUCK MANIFOLD ASSEMBLY PARTS NO. 1402869-B

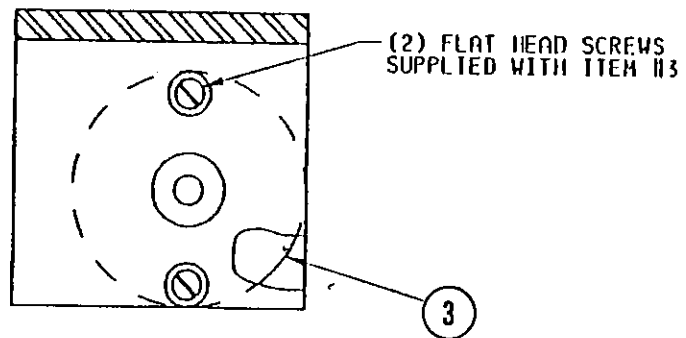


# ILLUSTRATED PARTS BREAKDOWN

INSTRUMENT PANEL ASSEMBLY PART NO. 1400651-F (Sheet 2 of 2)



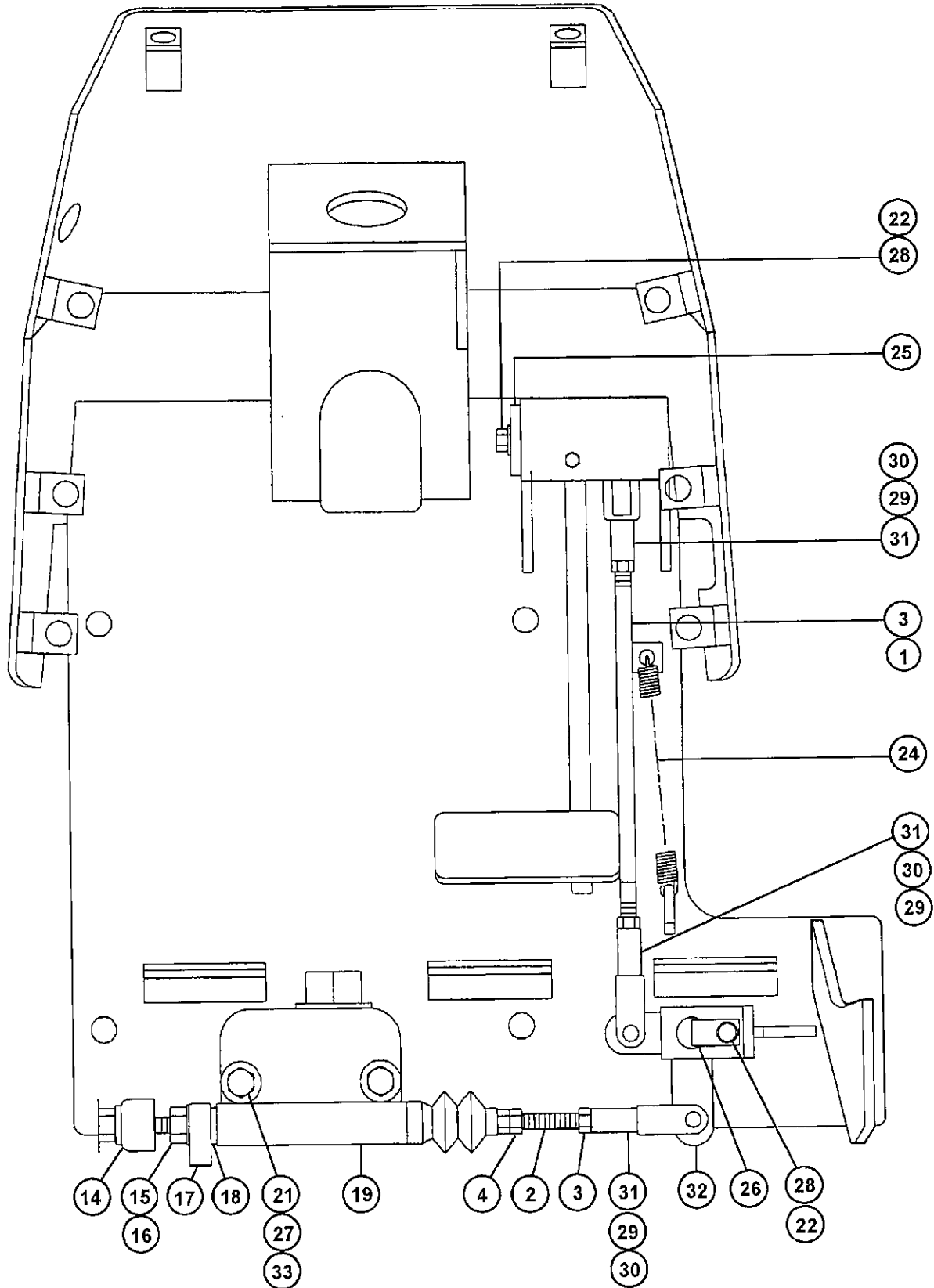
SECTION Z-Z



SECTION Y-Y

# ILLUSTRATED PARTS BREAKDOWN

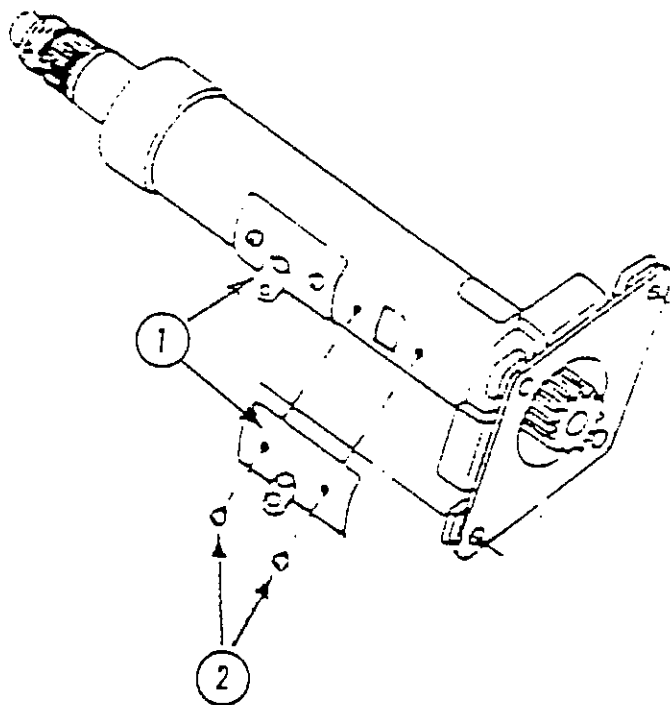
SERVICE BRAKE COMPONENTS PART NO. 1400648-K (Sheet 1 of 2)



# ILLUSTRATED PARTS BREAKDOWN

## STEERING COLUMN, 10", PART NO. 1400968-A

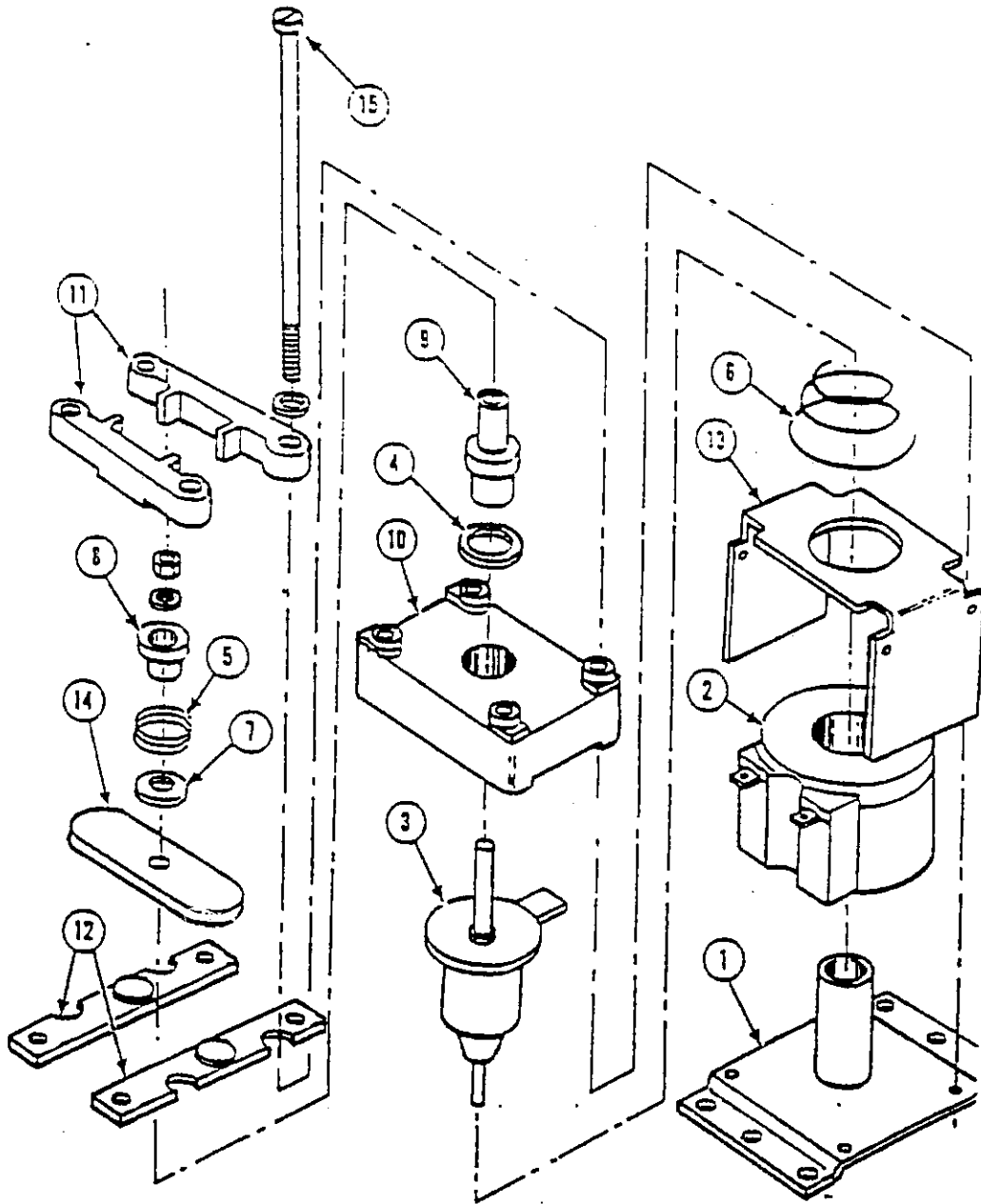
<u>Item</u>	<u>Part Number</u>	<u>Qty</u>	<u>Description</u>
1	25043	2	Brush Assembly
2	25641	4	Screw





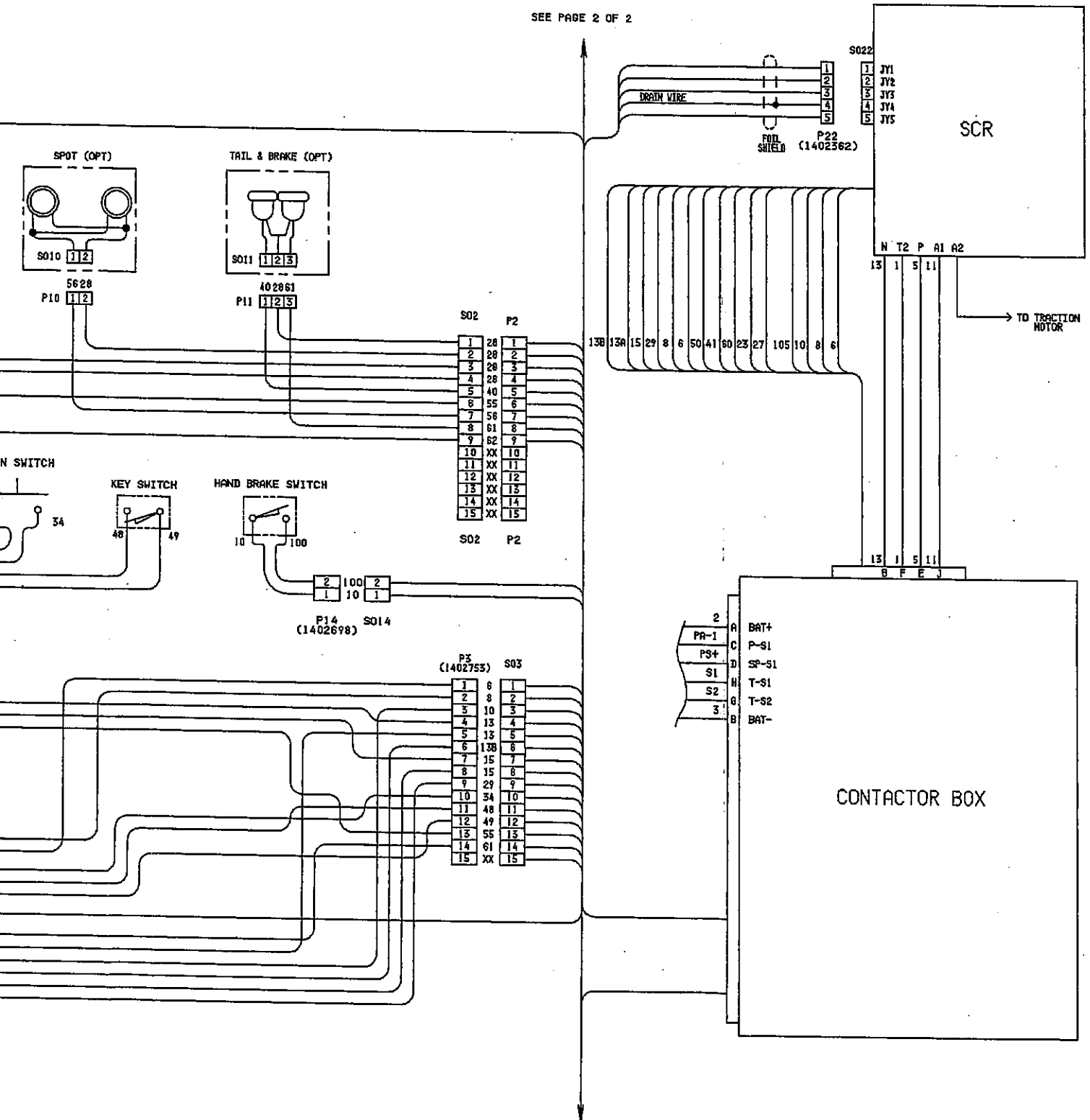
# ILLUSTRATED PARTS BREAKDOWN

CONTACTOR, 300A, SPNO 24V, PART NO. 1401979-A



WIRING DIAGRAM PART NO.1404780 (Sheet 1 of 2)

SEE PAGE 2 OF 2

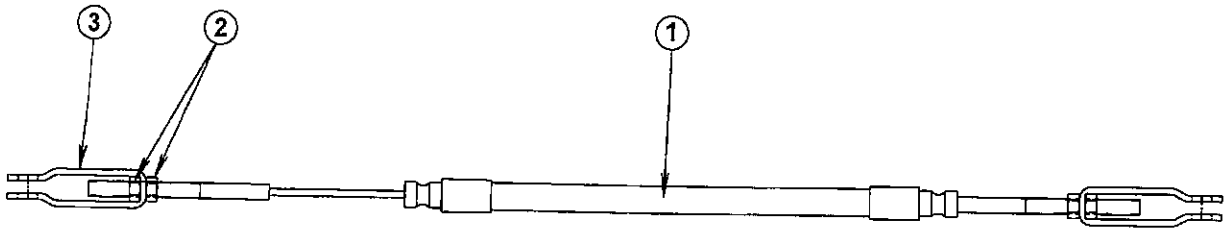


SEE PAGE 2 OF 2

# ILLUSTRATED PARTS BREAKDOWN

## PARKING BRAKE CABLES PART NOS. 1400696/1400697

<u>Item</u>	<u>Part Number</u>	<u>Qty</u>	<u>Description</u>
1	1400529	1	Cable, Brake 113 OAL
2	62D5ER	4	Nut, Hex Hd GR5 .312-24
3	1401154	2	Clevis, Modified



## ILLUSTRATED PARTS BREAKDOWN

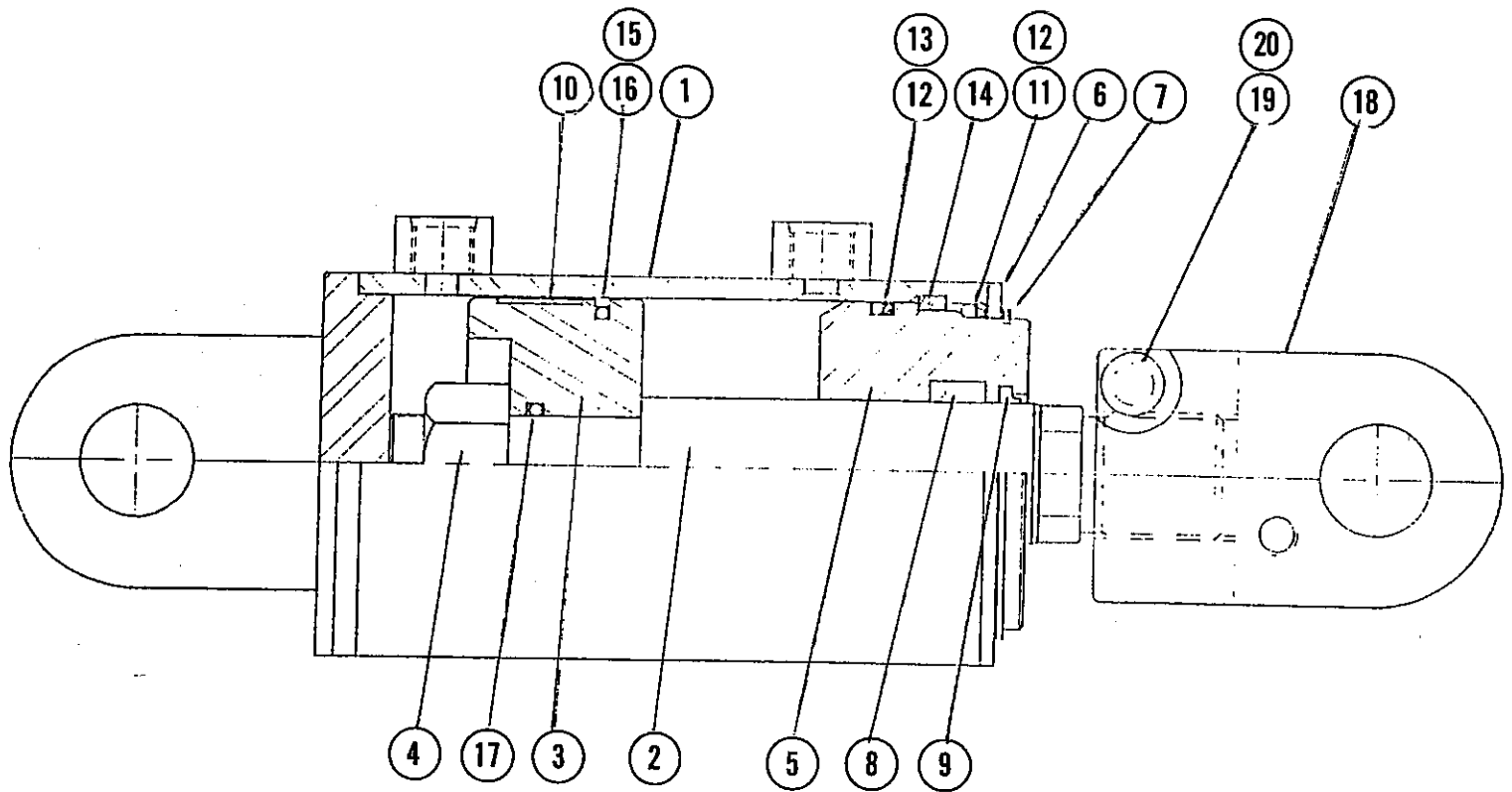
### PIVOT/SHIFT GROUP, STANDARD, PART NO. 1401784-F

<u>Item</u>	<u>Part Number</u>	<u>Qty</u>	<u>Description</u>
1	1405452	Pht 1	Shift Cylinder Components
2	1400604	Pht 2	Tilt Cylinder Components
3	1400605	Pht 1	Pivot Cylinder Components
4	1400653	1	Crosshead and Pivot Assembly
5	1401003	Pht 1	Bar, Lower Support Assembly
6	1CM1235ER	6	Screw, Hex Hd M12 X 1.75-35 Class 8.8
7	6EM120ER	6	Washer, Lock Spring M12
8	1401151	1	Clamp, Hose
9	6EM80ER	1	Washer, Lock Spring M8
10	1DM8ER	1	Nut, Hex. Hd. M8 X 1.25

Note: This Bill of Material is for reference only.

# ILLUSTRATED PARTS BREAKDOWN

TILT CYLINDER PART NO. 1400153-A



CLICK HERE TO **DOWNLOAD** THE COMPLETE MANUAL

- Thank you very much for reading the preview of the manual.
- You can download the complete manual from: [www.heydownloads.com](http://www.heydownloads.com) by clicking the link below



- Please note: If there is no response to CLICKING the link, please download this PDF first and then click on it.

CLICK HERE TO **DOWNLOAD** THE COMPLETE MANUAL