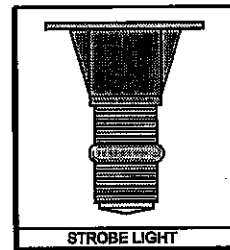
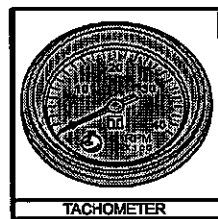
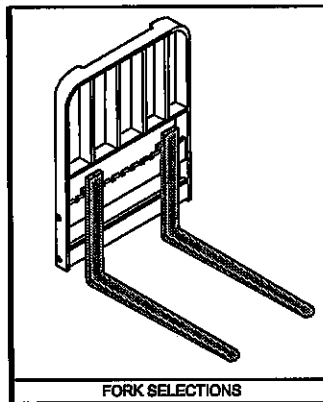
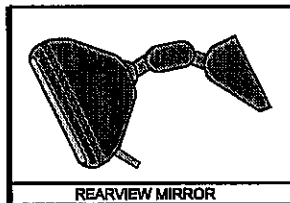
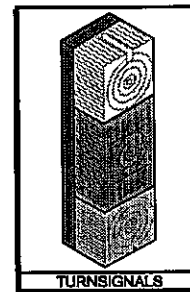
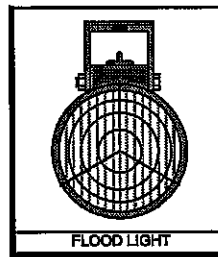




R60SL Standard Options IPB SwingMast® Lift Truck

Illustrated Parts Breakdown



Landoll Corporation
Drexel Division
1900 North Street
Marysville, KS 66508
U.S.A.

Telephone:..... (785) 562-5381
Fax:..... (785) 562-4853
Web: www.drexeltrucks.com

Part number: 1416903 -d, 08/03

CLICK HERE TO **DOWNLOAD** THE COMPLETE MANUAL

- Thank you very much for reading the preview of the manual.
- You can download the complete manual from: www.heydownloads.com by clicking the link below



- Please note: If there is no response to CLICKING the link, please download this PDF first and then click on it.

CLICK HERE TO **DOWNLOAD** THE COMPLETE MANUAL

Figure 1: Accumulator Installation, AO1802-A

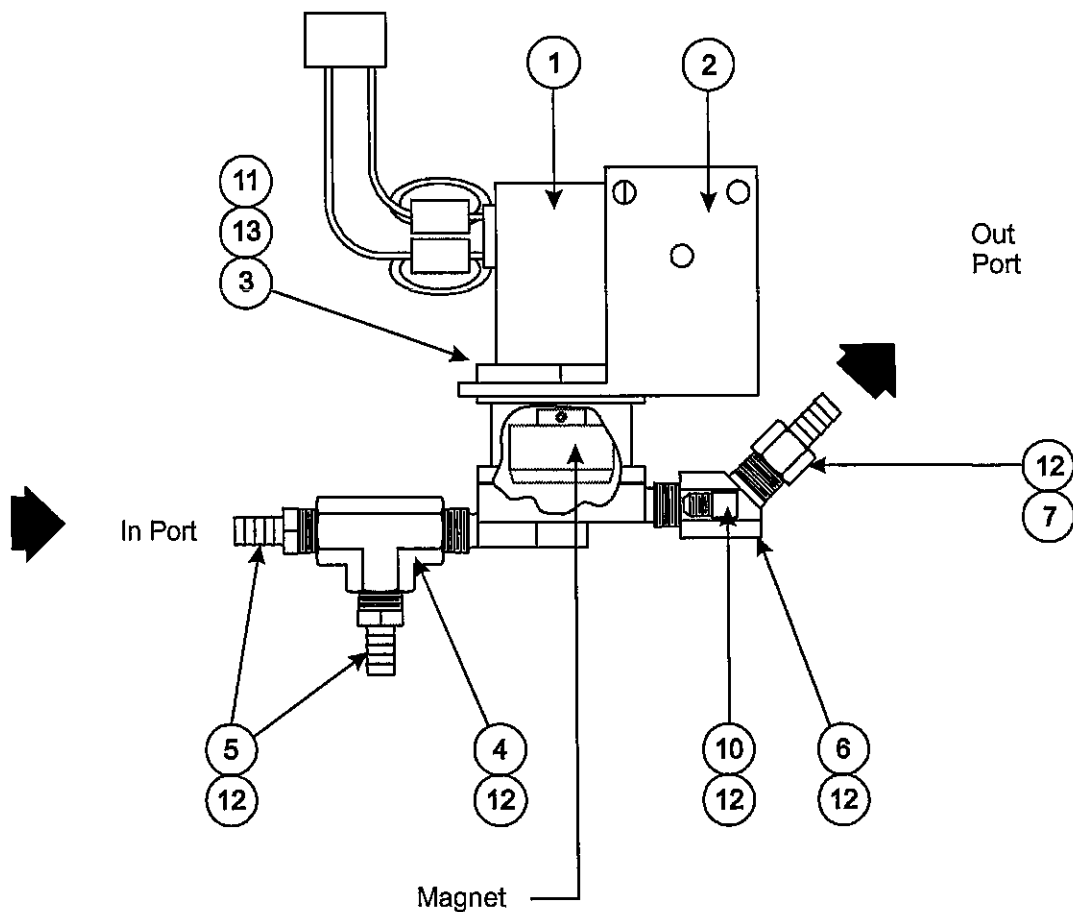


Figure 8-1: Battery Cables Installation, EL307.1-A

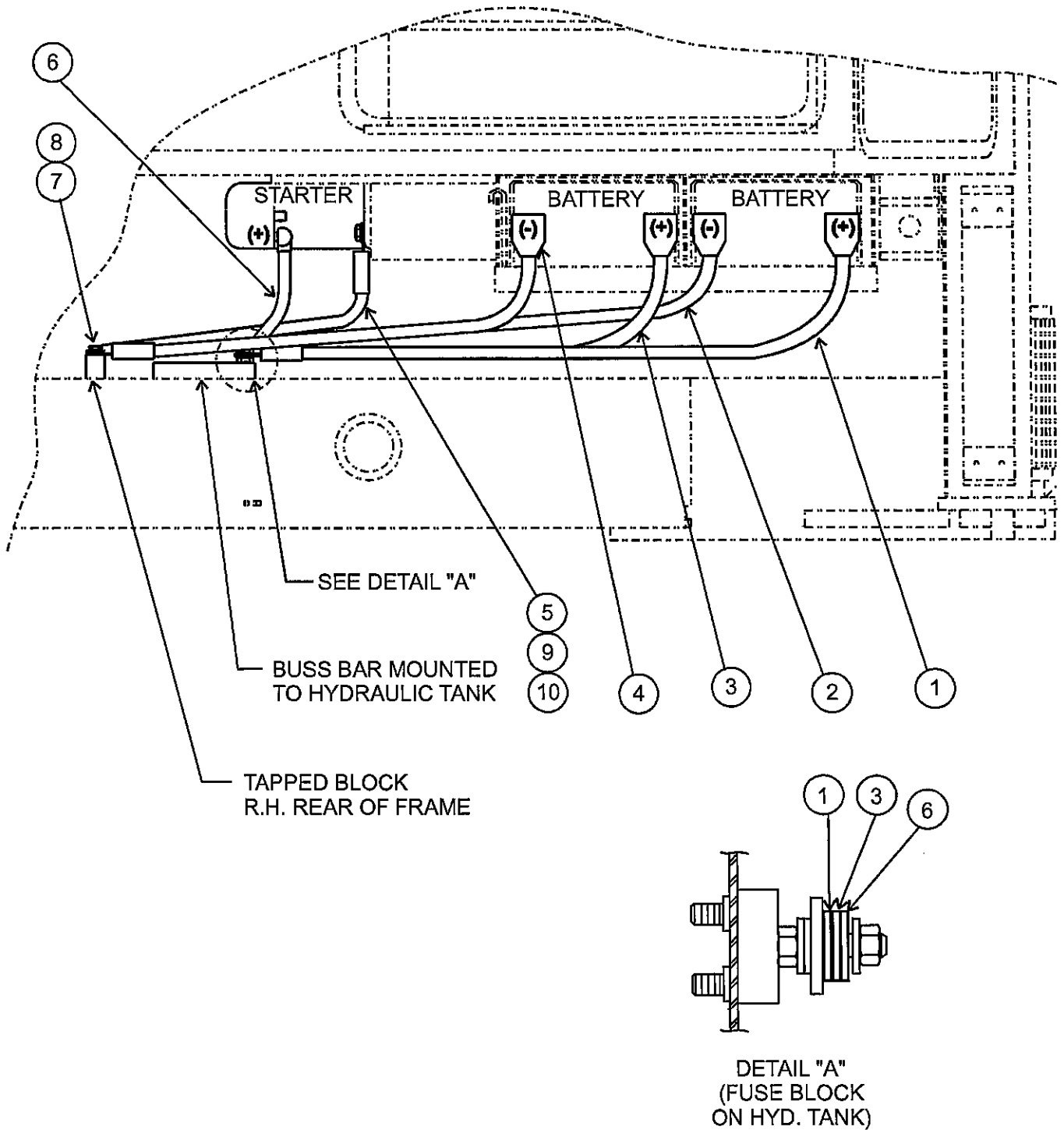


Figure 14: Fire Extinguisher Installation, FE417-B

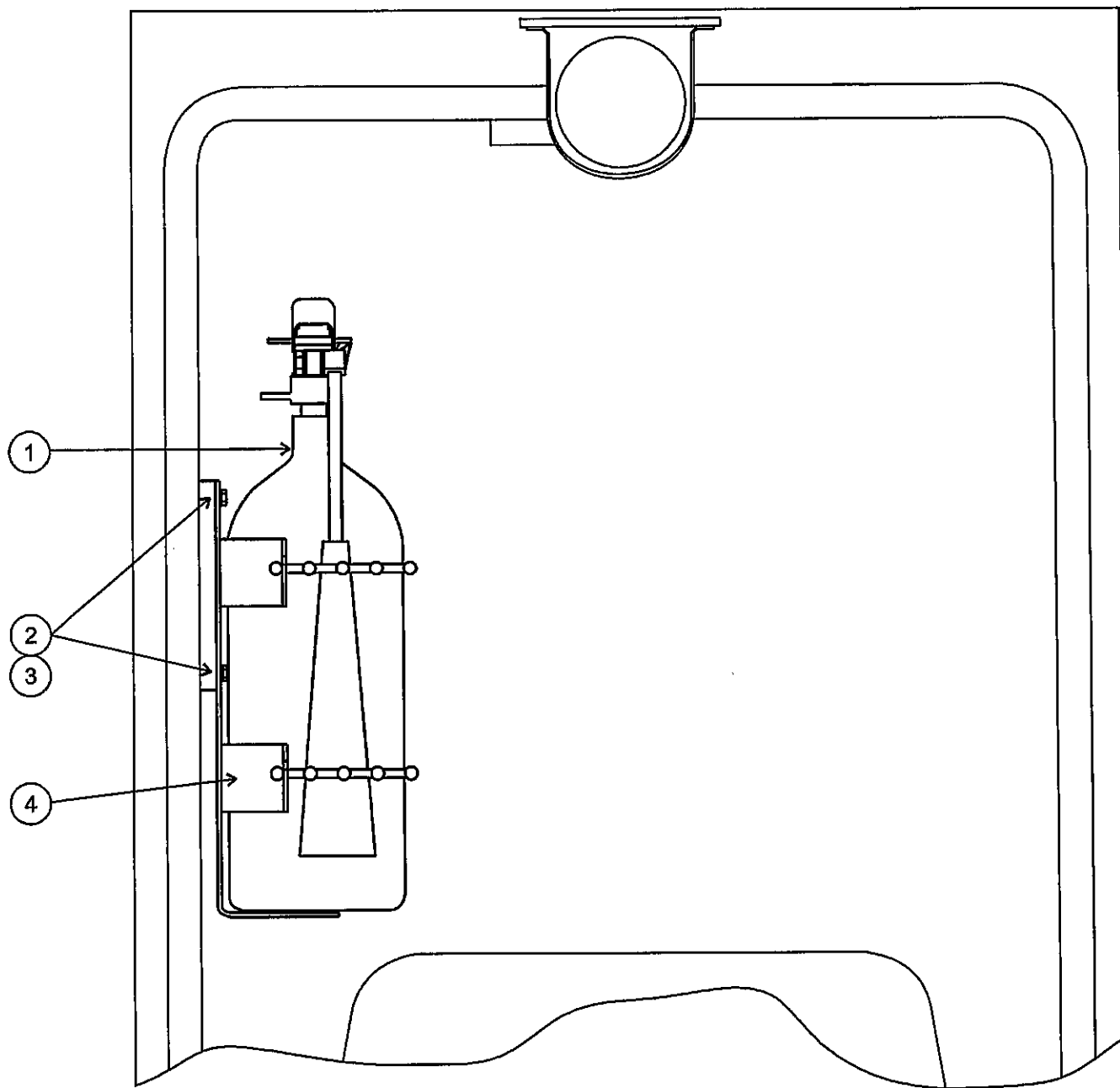


Figure 16: Joystick Modification, SF1701-A

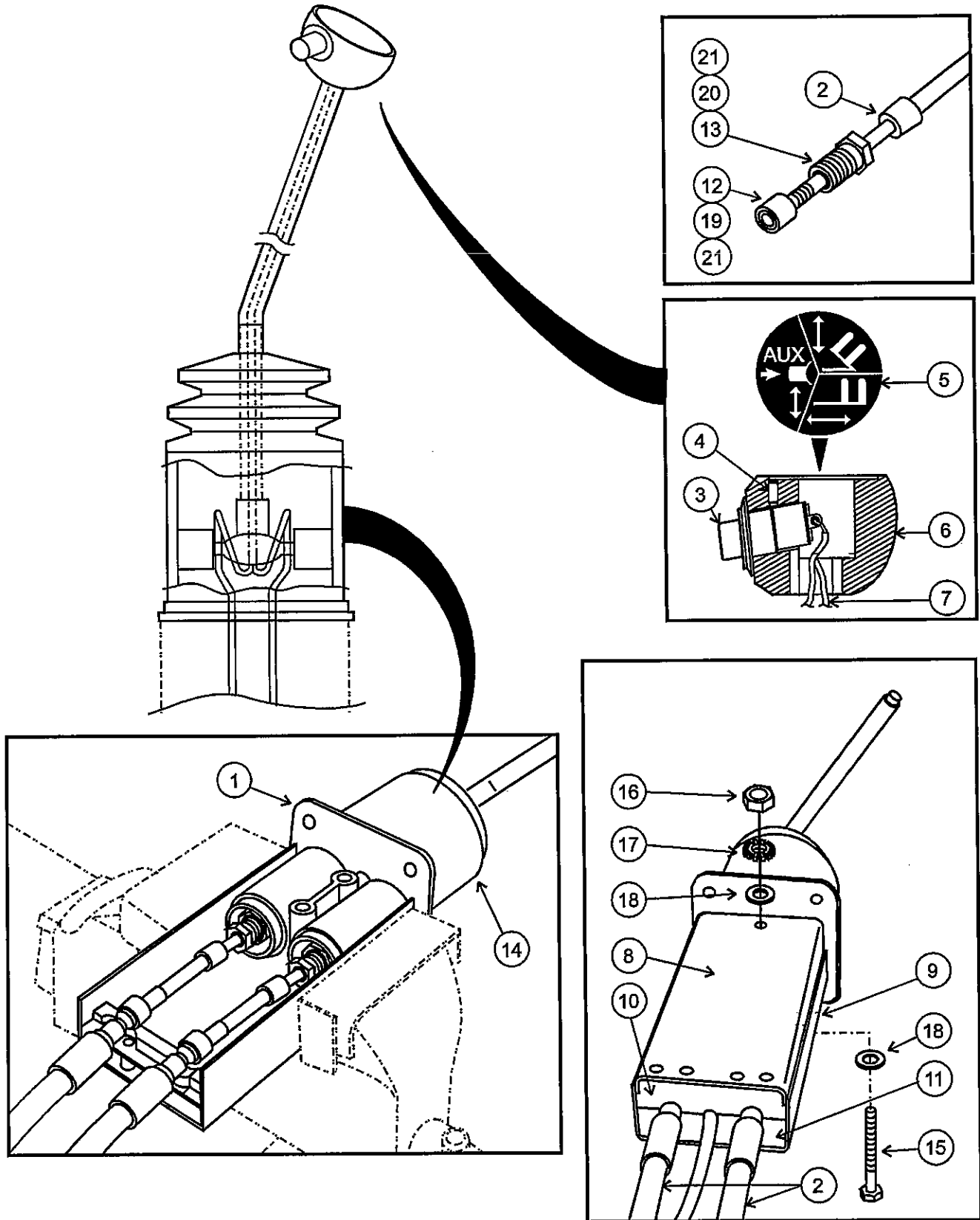
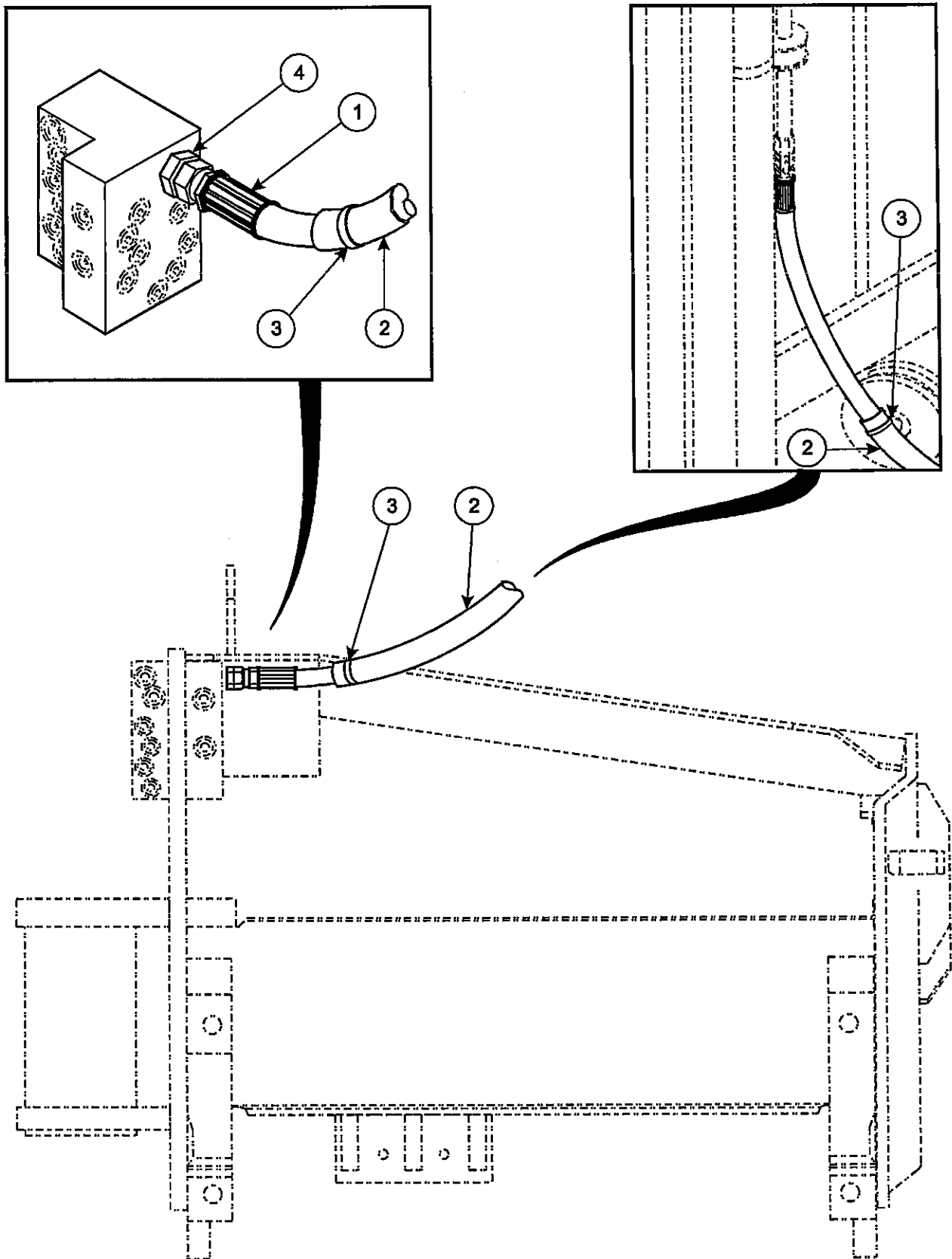


Figure 21: Lift Hose Installation, SF1705-A



CLICK HERE TO **DOWNLOAD** THE COMPLETE MANUAL

- Thank you very much for reading the preview of the manual.
- You can download the complete manual from: www.heydownloads.com by clicking the link below



- Please note: If there is no response to CLICKING the link, please download this PDF first and then click on it.

CLICK HERE TO **DOWNLOAD** THE COMPLETE MANUAL

Figure 24: Pivot and Shift Tilt Lines, SF1707-A

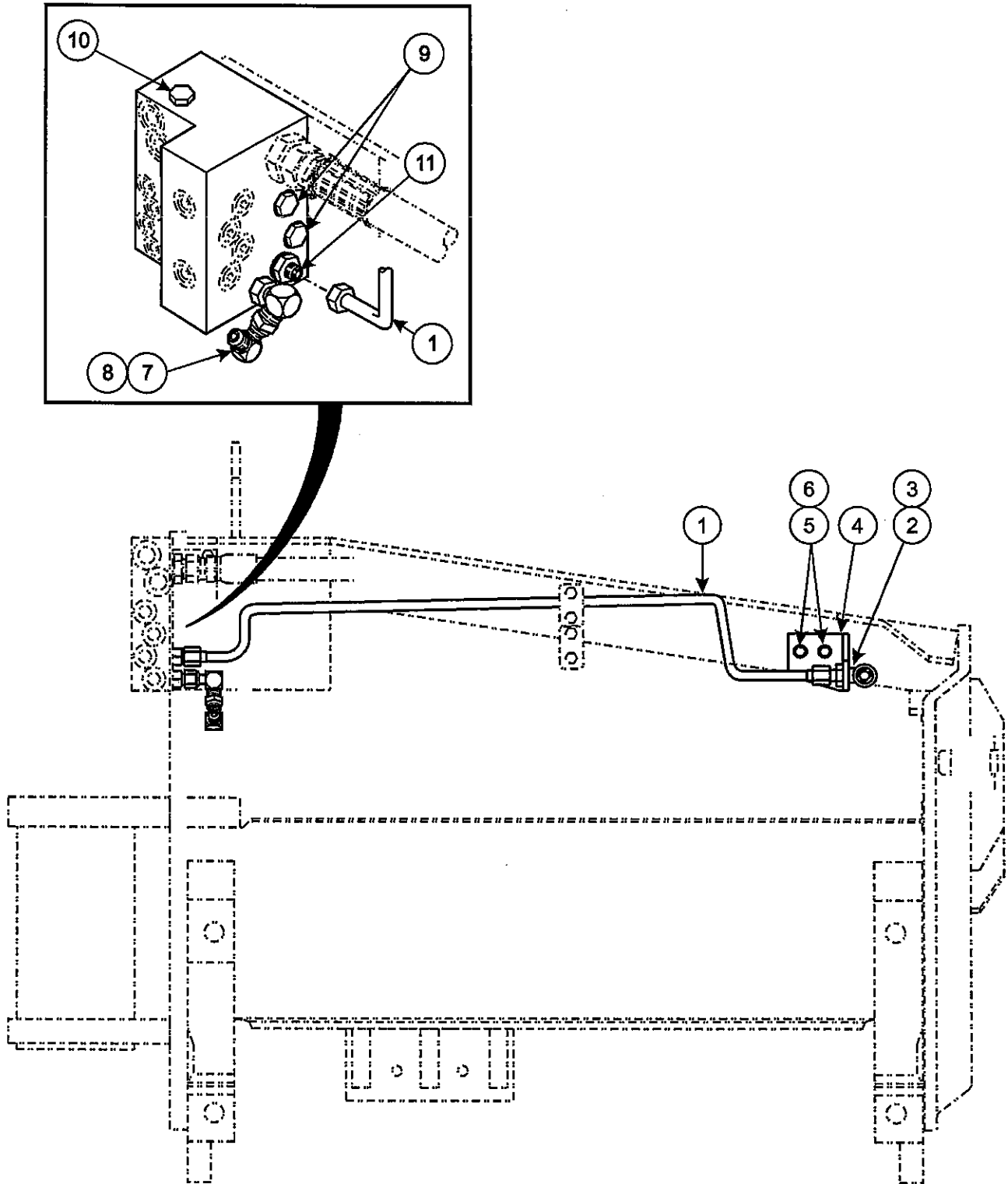


Figure 27: Control Valve Assembly, p/n: 1410228-A

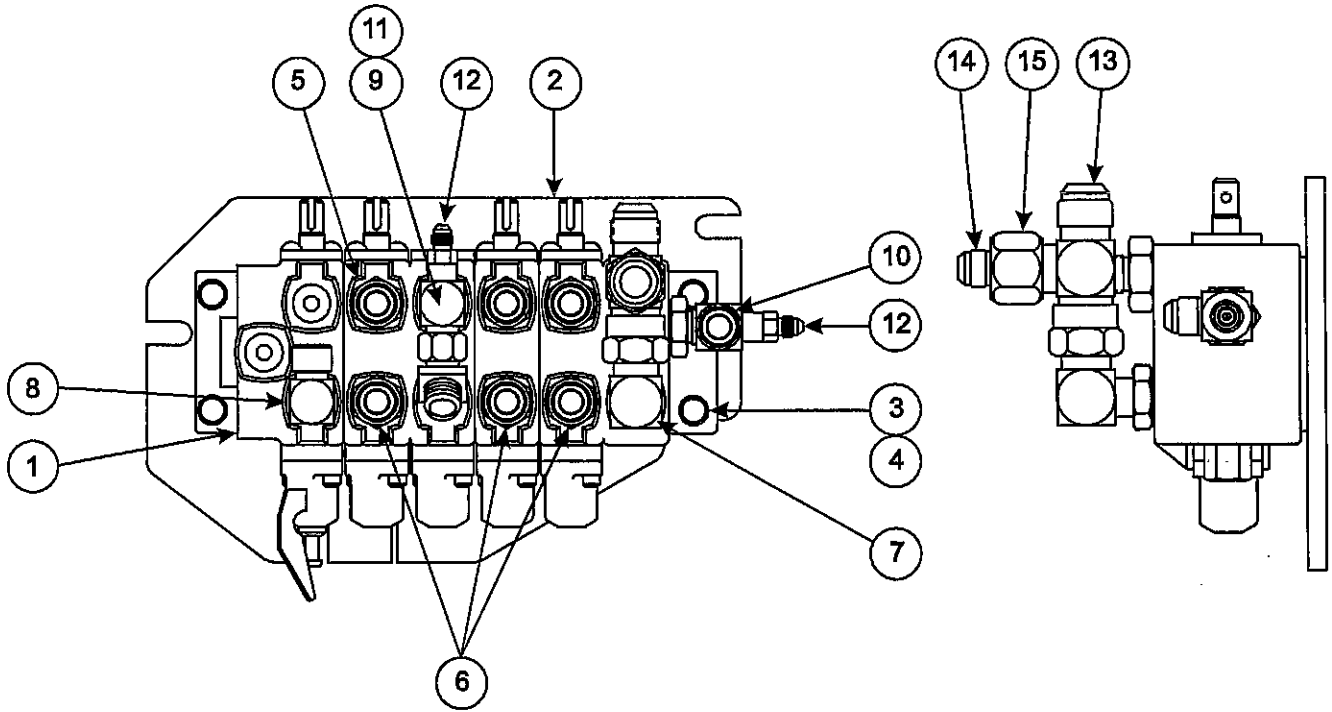


Figure 30: Strobe Light Option, p/n: EL53-A

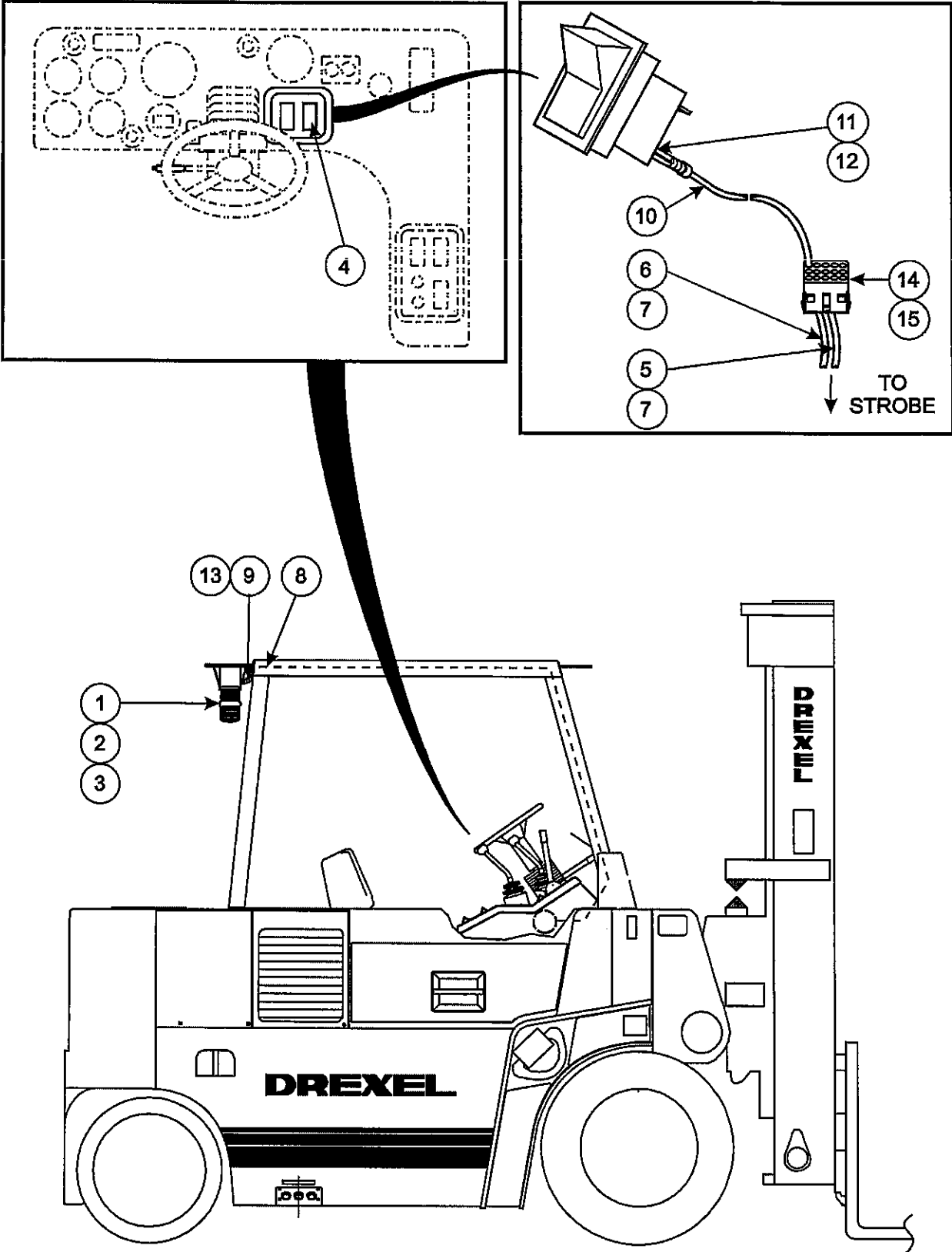


Figure 36: Strobe Light, Cab, EL33-A

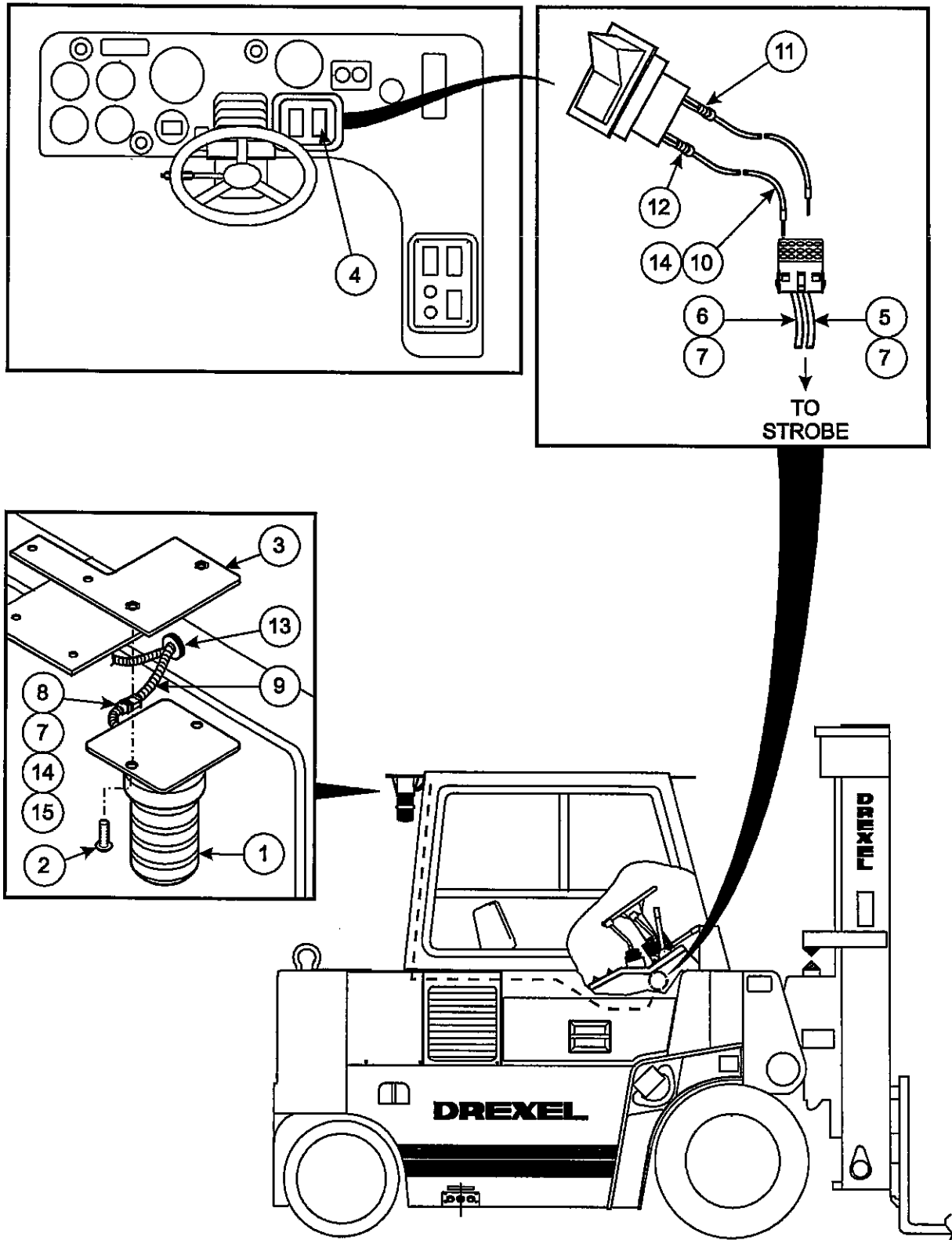
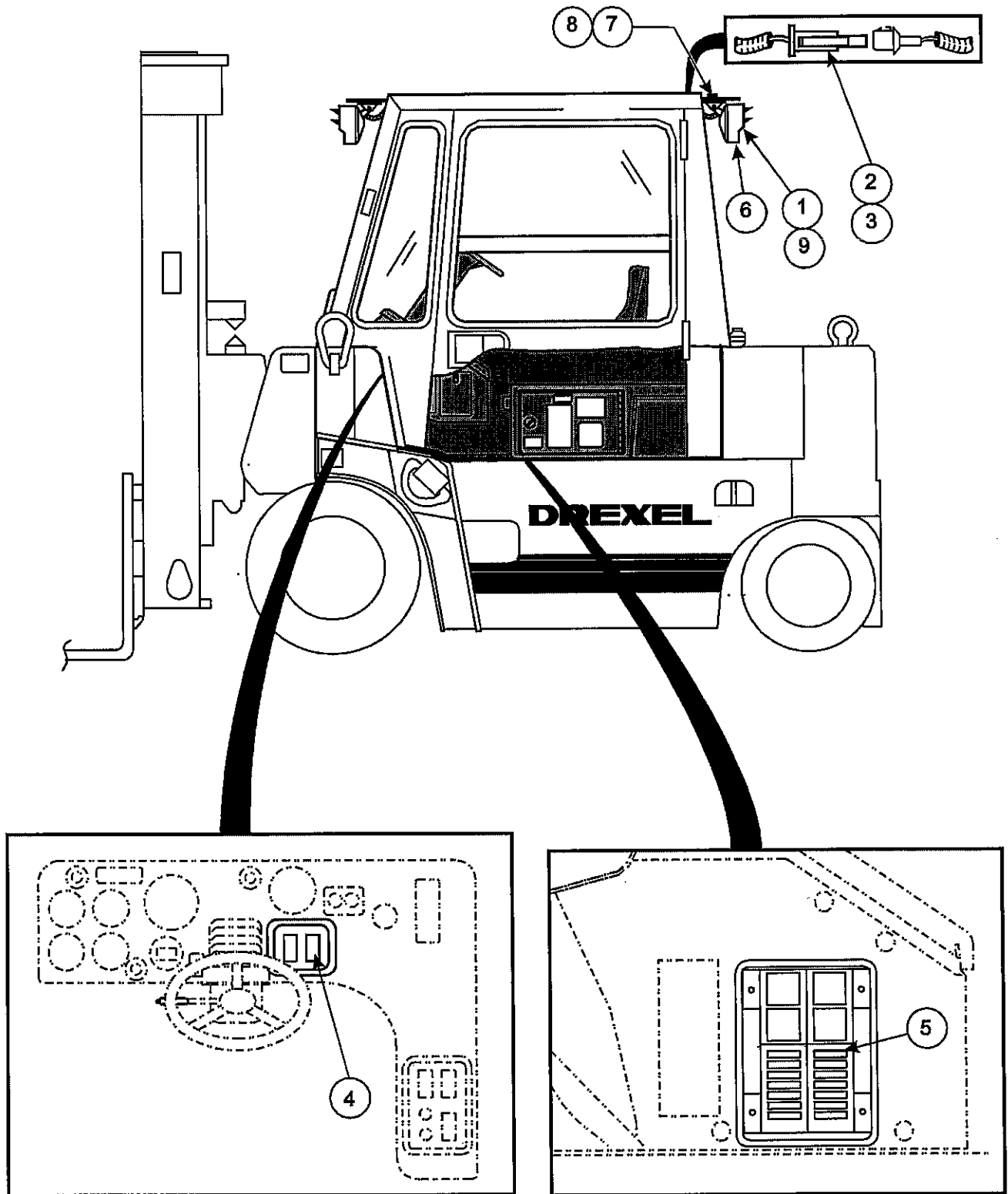


Figure 43: Front and Rear Floods, EL1520-A



Drive Wheel Assembly, Outer, p/n: 1400177-B

Item	Part No.	Qty.	Description
1	1400450	1	Drive Tire, 30" OD, 7.50" x 15", 6.50" Rim
2	1401254	1	Wheel Assembly, Inner

Figure 8-3: Drive Wheel Assembly, Outer, p/n: 1400177-B

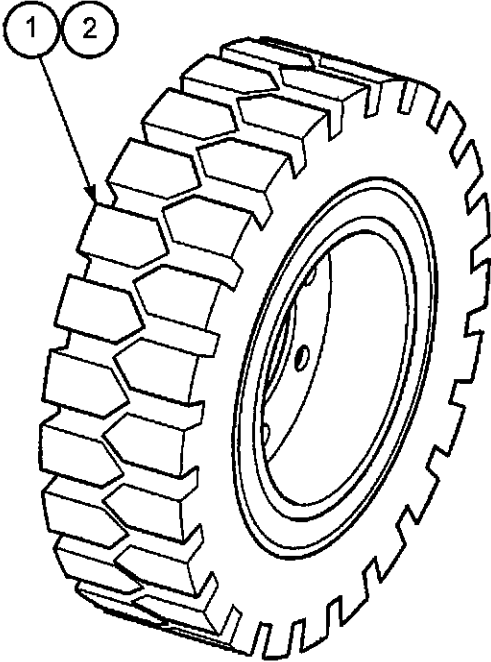
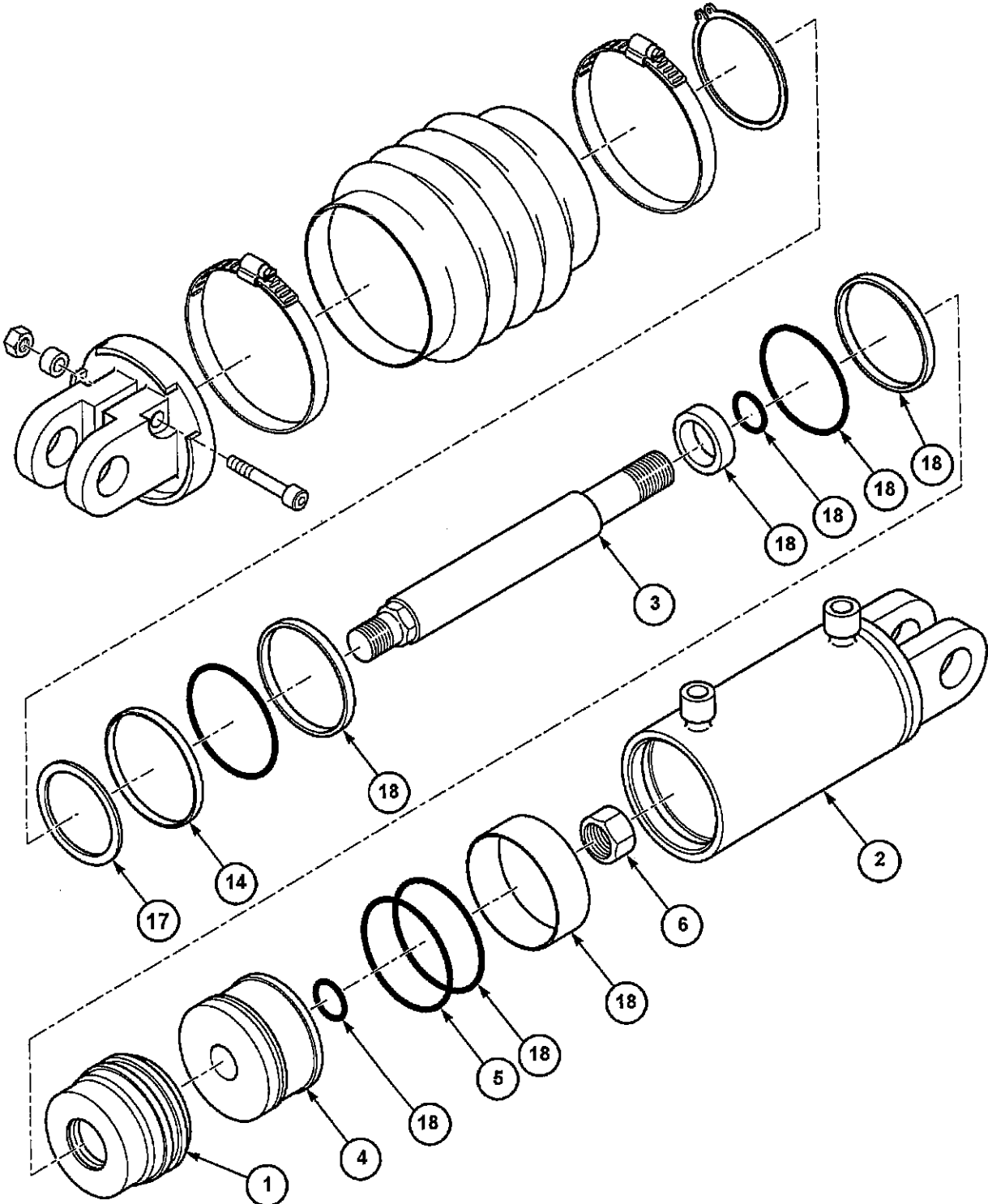


Figure 13: Tilt Cylinder Breakdown, p/n: 1405668-A



CLICK HERE TO **DOWNLOAD** THE COMPLETE MANUAL

- Thank you very much for reading the preview of the manual.
- You can download the complete manual from: www.heydownloads.com by clicking the link below



- Please note: If there is no response to CLICKING the link, please download this PDF first and then click on it.

CLICK HERE TO **DOWNLOAD** THE COMPLETE MANUAL