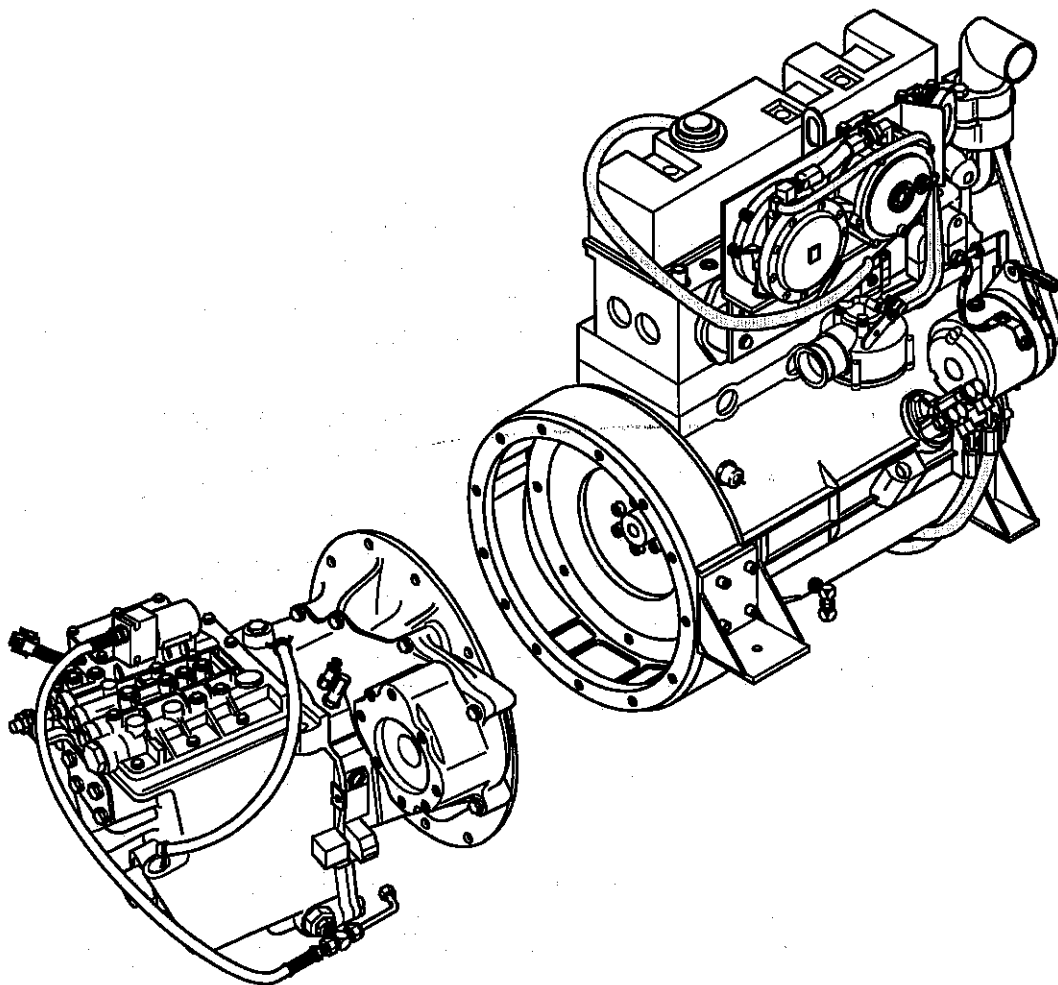




# R60 LPG Engine & Transmission SwingMast® Lift Truck

Illustrated Parts Breakdown



Drexel Industries LLC  
P.O. Box 248  
331 Maple Avenue  
Horsham, PA 19044-0983  
U.S.A.

Telephone:..... (215) 672-2200  
Fax:..... (215) 773-6765  
Web: ..... [www.drexelindustries.com](http://www.drexelindustries.com)

Part number: 1415057 -h, 10/99

CLICK HERE TO **DOWNLOAD** THE COMPLETE MANUAL

- Thank you very much for reading the preview of the manual.
- You can download the complete manual from: [www.heydownloads.com](http://www.heydownloads.com) by clicking the link below



- Please note: If there is no response to CLICKING the link, please download this PDF first and then click on it.

CLICK HERE TO **DOWNLOAD** THE COMPLETE MANUAL

Figure 3: Crankcase, Caps & Oil Filter, p/n: 1407595-E

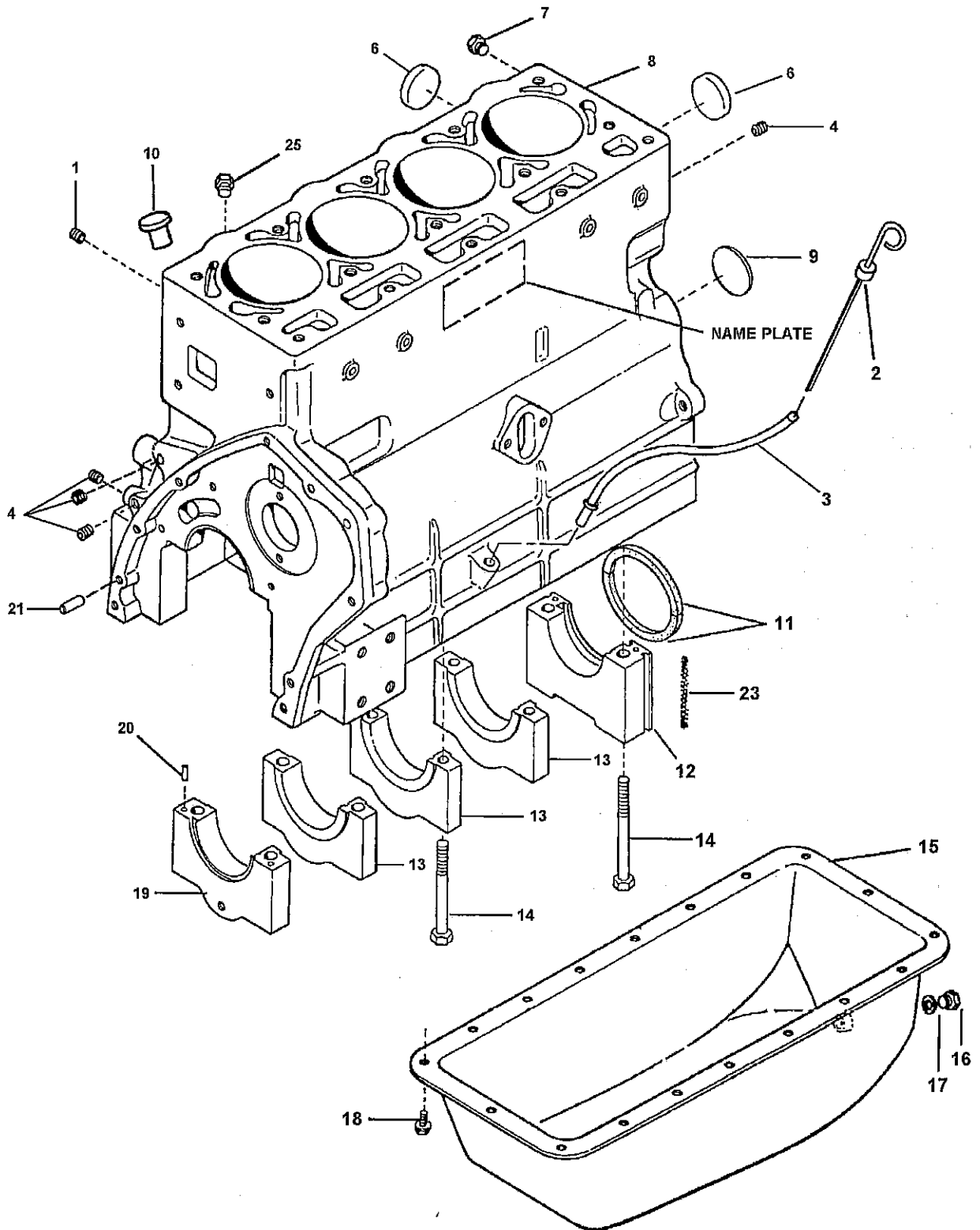


Figure 8: Oil Pump, p/n: 1407600-C

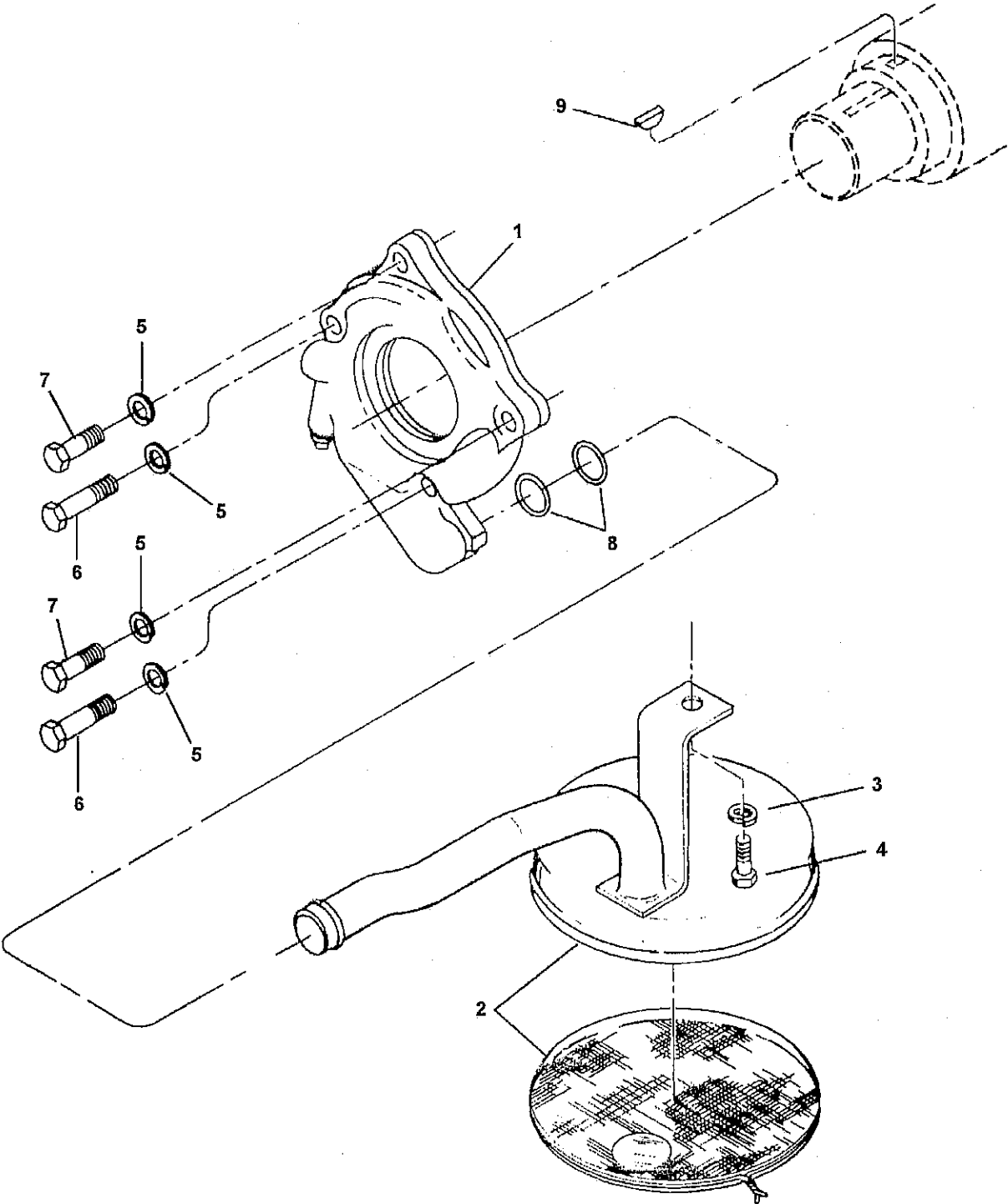


Figure 13: Water Header & Thermostat, p/n: 1407605-C

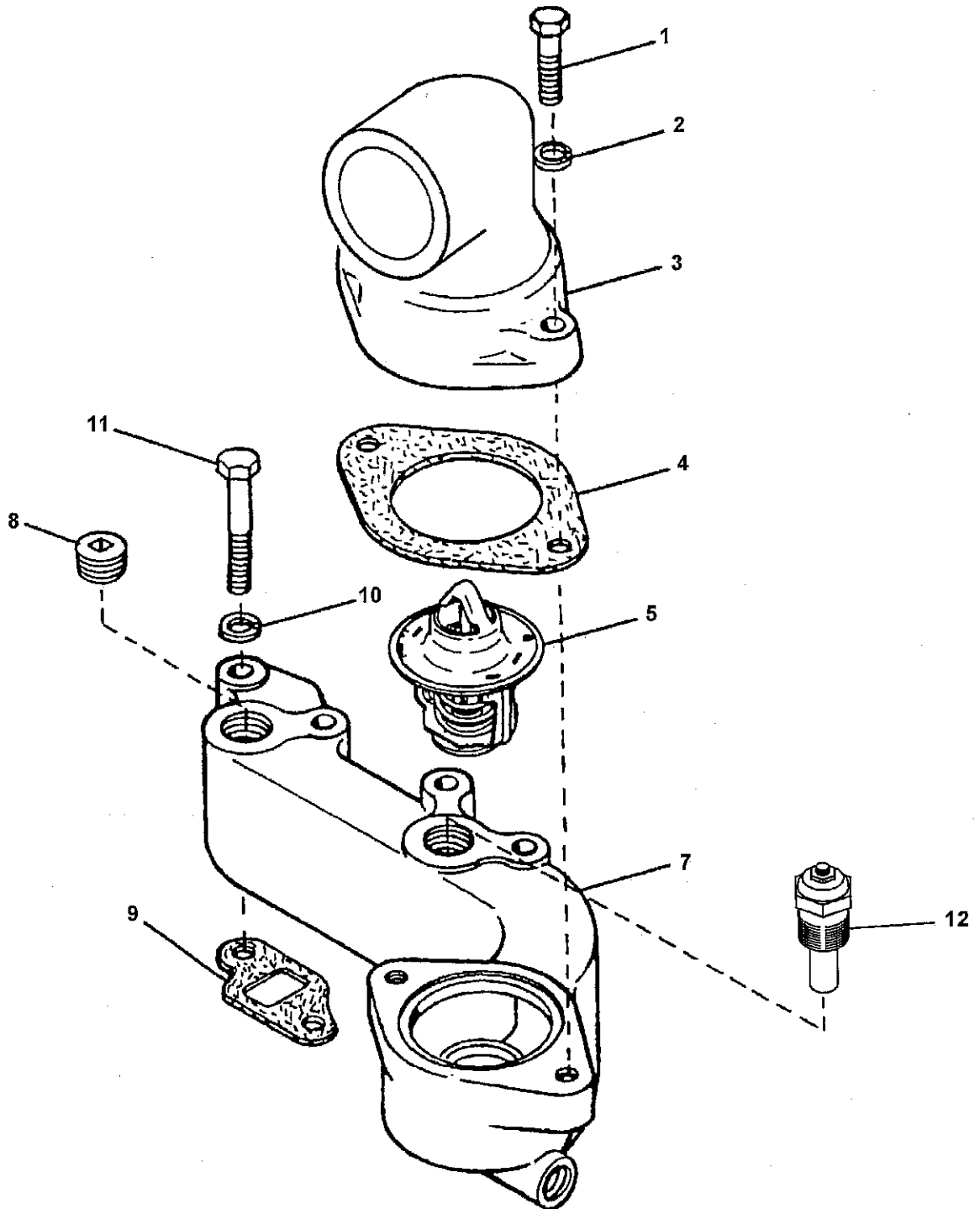
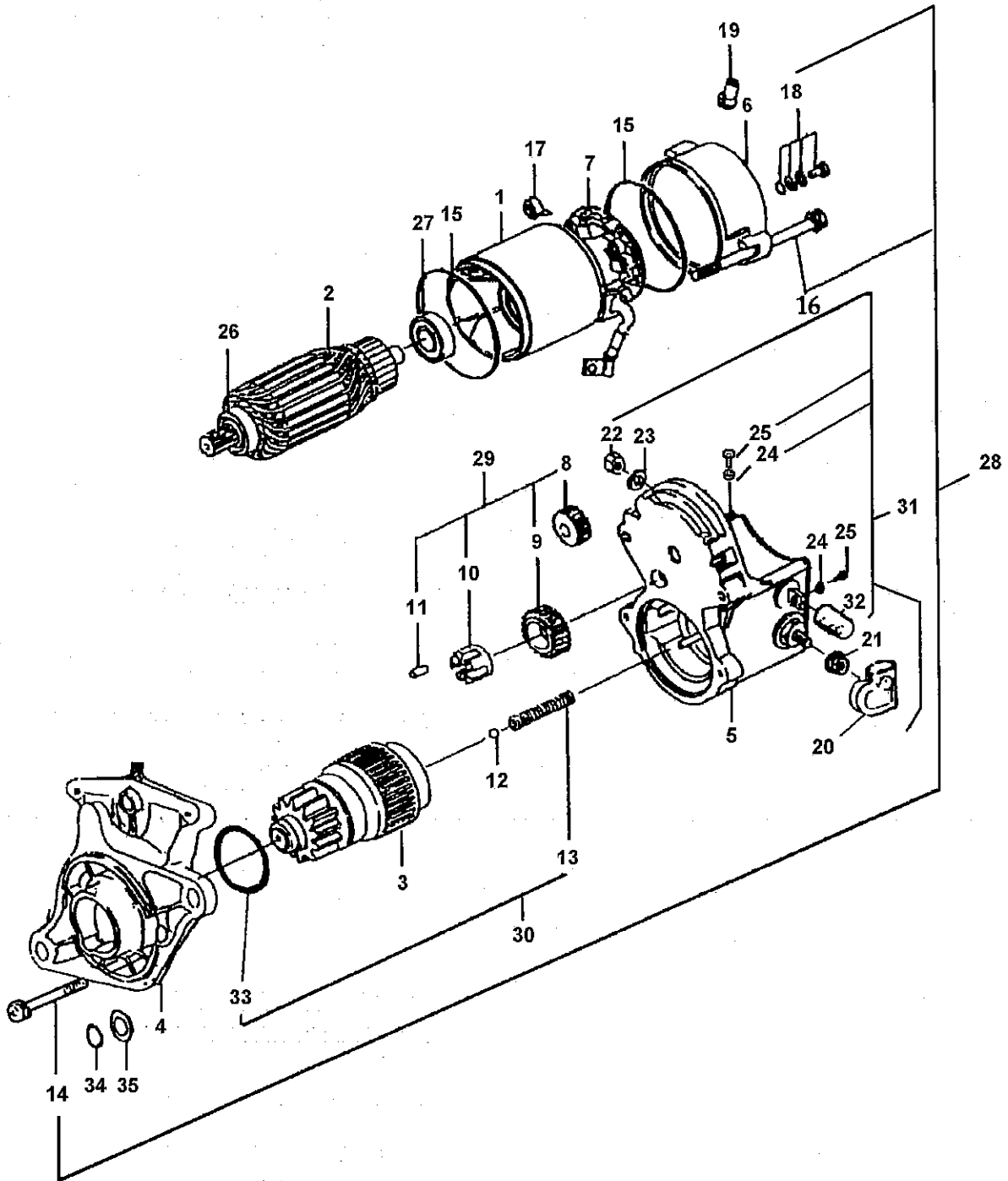


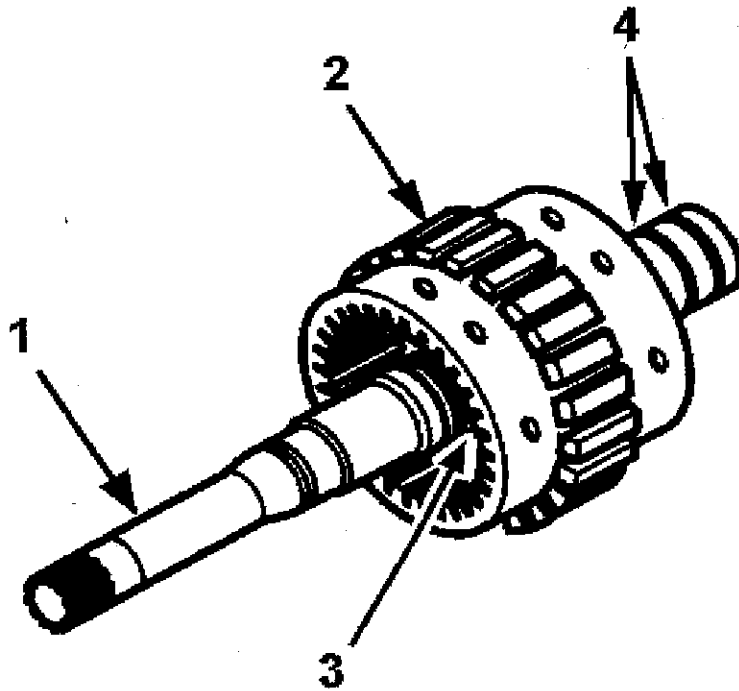
Figure 18: Starter, p/n: 1407508-A



# Input Shaft Sub-Assembly, p/n: 1405124-A

Item	Part No.	Qty	Description
1	1404866	1	Shaft
2	1404843	1	Clutch Cylinder
3	51664-4	8	Rivet
4	1404891	2	Brass Pin

Figure-23: Input Shaft Sub-Assembly, p/n: 1405124-A



CLICK HERE TO **DOWNLOAD** THE COMPLETE MANUAL

- Thank you very much for reading the preview of the manual.
- You can download the complete manual from: [www.heydownloads.com](http://www.heydownloads.com) by clicking the link below



- Please note: If there is no response to CLICKING the link, please download this PDF first and then click on it.

CLICK HERE TO **DOWNLOAD** THE COMPLETE MANUAL