



SwingMast Forklift Parts List

Model R60-SL CBD



T.O. No.	36M2-2-258-1
Contract No.	SP0500-01-D-0053-0021
NSN No.	3930-01-294-5017
Truck P/N	1422981
Date	April 12, 2005

**1900 NORTH STREET
MARYSVILLE, KANSAS 66508
(785) 562-5381**

CLICK HERE TO **DOWNLOAD** THE COMPLETE MANUAL

- Thank you very much for reading the preview of the manual.
- You can download the complete manual from: www.heydownloads.com by clicking the link below



- Please note: If there is no response to CLICKING the link, please download this PDF first and then click on it.

CLICK HERE TO **DOWNLOAD** THE COMPLETE MANUAL

STEERING AXLE GROUP

ITEM	PART NO.	DESCRIPTION	QTY.
	1407977	STEERING AXLE GROUP	
1	1CM24130ER	SCREW, HEX HEAD CAP M24 X 140MM CL8.8	2
2	1400854	TIRE AND WHEEL ASSEMBLY, STEER (SEE PAGE 1-6)	2
3	1405875	WASHER, 1-1/2 X .025	4
4	1407432	STEERING AXLE ASSEMBLY (SEE PAGE 1-5)	1
5	1409185	STOP PAD "D"	2
6	1409571	MOUNT ASSEMBLY	2
7	2382893	NUT, WHEEL MOUNTING 5/8-18 GR8	10
9	2778988	SPACER, THRUST 1.5 X .236	2
10	40DM24ER	NUT, HEX LOCK M24 CL10	2

DRIVE AXLE GROUP

ITEM	PART NO.	DESCRIPTION	QTY.
	1408013	DRIVE AXLE GROUP	
1	1CM1625ER	SCREW, HEX HEAD METRIC M16X2X25	6
2	1CM820ER	SCREW, HEX HEAD METRIC M8X1.25X20	1
3	1DM6ER	NUT, HEX M6 CL8.8	1
4	1F518E	COTTER PIN	1
5	1400225	DRIVE SHAFT, U-JOINT	1
6	1401056	ADAPTER	2
7	1401146	NUT, HEX HEAD CL 12 M20 X 2.5	8
8	1407350	ELBOW, INVERTED FLARE 1/4	2
9	1407351	TEE W/ MOUNTING STRAP BRASS 1/4	1
10	1407539	O-RING, METRIC M14 X 1.5	2
11	1407665	CLAMP BODY 1/4	2
12	1407690	COVER PLATE GROUP 1-1/4	1
13	1408238	BRAKE TUBE ASSEMBLY LH	1
14	1408239	BRAKE TUBE ASSEMBLY RH	1
15	1408240	BRAKE TUBE ASSEMBLY MASTER CYLINDER	1
16	1409035	PLATE, BRAKE LINE	1
17	1409196	BRAKE, DISK	1
18	1409202	PIN, CALIPER MOUNTING	2
19	1409203	RING, RETAINING EXTERNAL 1/2	2
20	1409988	BRACKET	1
21	1412618	DRIVE AXLE ASSEMBLY (SEE PAGE 1-15)	1
22	18EM1632ER	FLATWASHER, HARDENED M16	6
23	18EM2040ER	FLAT WASHER, HARDENED M20	16
24	18EM816ER	WASHER, FLAT M8	1
25	1-861-010032-11	FLATWASHER, 3/8	1
26	1407169	CLEVIS PIN	1
27	25021	SPRING, EXT	1
28	3GM20240ER	SCREW, SOCKET HEAD CL 12.9	8
29	4E7E	WASHER, LOCK 7/16	4
30	40DM8ER	NUT, LOCK HEX HEAD M8 CL10	1
31	64D7ER	NUT, HEX HEAD GR8	4
32	74G728ER	SCREW, SOCKET HEAD 7/16-20 X 1.75 GR8	4
33	1400177	WHEEL - DRIVE ASSEMBLY, OUTER	2
34	1400451	WHEEL - DRIVE ASSEMBLY, INNER	2
35	1408485	GUARD WELD (NOT SHOWN)	1
36	1CM1025ER	SCREW, HEX HEAD CAP M10X1.5-25 CL8.8	REF
37	18EM1019ER	WASHER, FLAT HS M10	REF

DISK BRAKE HOUSING AND COVER SERVICE PARTS

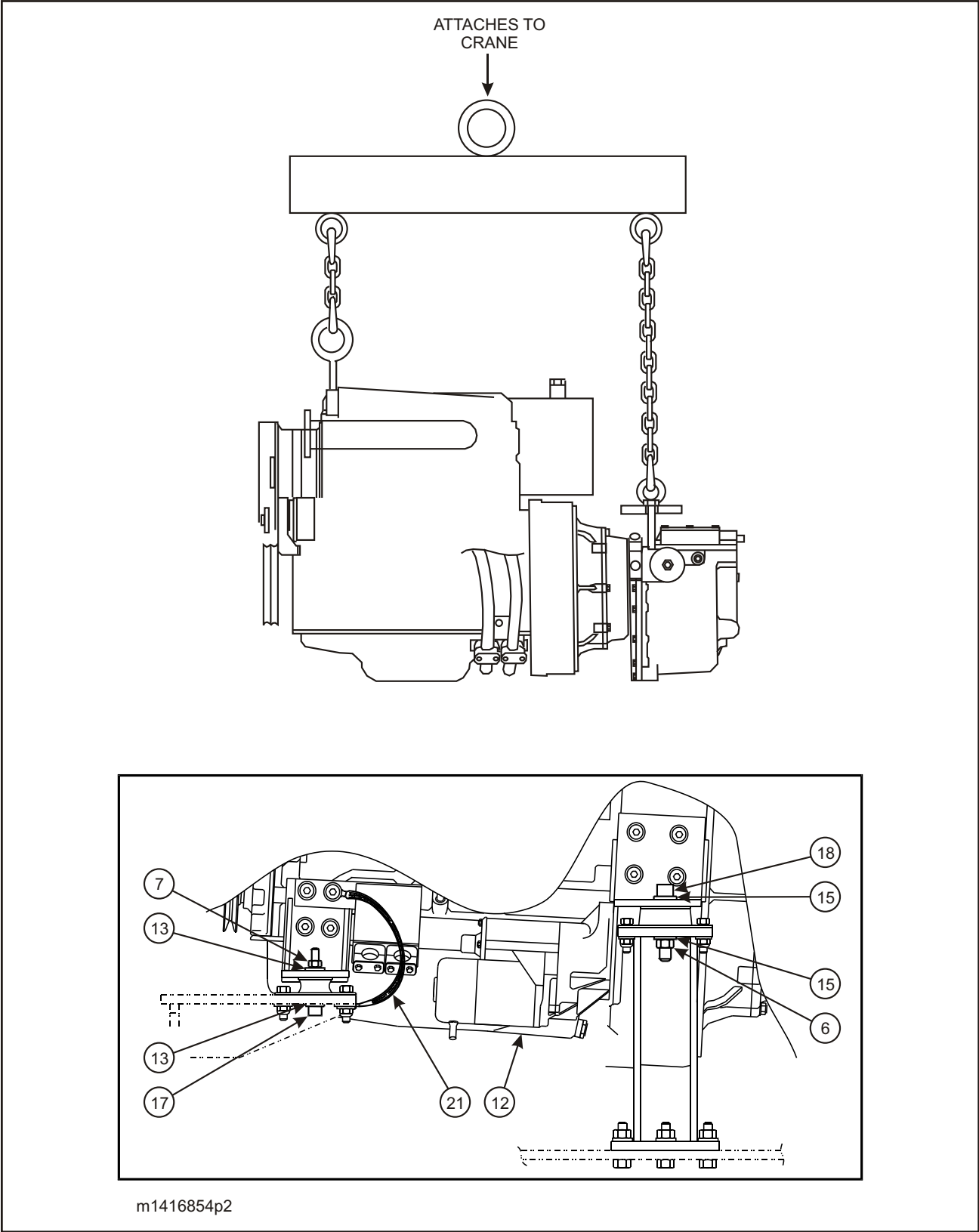
ITEM	PART NO.	DESCRIPTION	QTY.
	1415933	HOUSING AND COVER SERVICE PARTS	
1	1401265	O-RING	4
2	1400725	PLUG	1
3	1415934	INTERMEDIATE COVER	2
4	1415935	HOUSING	1
5	1415936	PLUG	1
6	1400719	SNAP PLUG	1
7	1400724	VENT	1
8	1400718	MAGNET PLUG	3
9	1406099	O-RING	2
10	1401263	PLUG	1
11	1400759	PLUG	2

PIVOT AND SHIFT HYDRAULIC ASSEMBLY

ITEM	PART NO.	DESCRIPTION	QTY.
	1409136	HYDRAULIC ASSEMBLY FOR PIVOT ARM	
1	MS20002-16	WASHER, 1" PIN HIGH STRENGTH	4
2	1CM2450ER	SCREW, HEX HEAD M24 X 3.0-50 CL8.8	4
3	1CM850ER	SCREW, HEX HEAD M8 50MM CL8.8	2
4	1C410ER	SCREW, HEX HEAD CAP 1/4-20 X .625 GR5	2
5	1C422ER	SCREW, HEX HEAD CAP 1/4-20 X 1-3/8	10
6	1DM6ER	NUT, HEX M6 CL8.8	2
7	11K5	FITTING, 90 ELBOW	2
8	13K5	RUN TEE, SWIVEL	2
9	1400543	ELBOW, 90	2
10	1400545	MALE CONNECTOR 90	2
11	1407668	WELD PLATE, GROUP 2	2
12	1407674	CLAMP HALF, 17MM GROUP 2	8
13	1407688	CLAMP HALF, 3/8	4
14	1407689	COVER PLATE, GROUP 2	5
15	1407694	SAFETY PLATE, GROUP 2	1
16	1407698	STACKING BOLTS, GROUP 2	2
17	1407727	SUPPORT, FITTING	1
18	1408329	HOSE ASSEMBLY W/ SPRING	2
19	1408331	HOSE ASSEMBLY W/ SPRING	2
20	1408333	HOSE ASSEMBLY W/ SPRING	2
21	1408335	HOSE ASSEMBLY W/ SPRING	1
22	1408336	HOSE ASSEMBLY 37.50	1
23	1408346	MANIFOLD WELDMENT, PIVOT ARM	1
24	1408379	ADAPTER, 90	1
25	1408380	ADAPTER	1
26	1408393	TUBE ASSEMBLY FOR PIVOT ARM	1
27	1408394	TUBE ASSEMBLY FOR MAST TILT	1
28	1408395	TUBE ASSEMBLY FOR MAST, TILT	1
29	1408493	FITTING MODIFIED, FLOW RESTRICTOR	2
30	1409096	VALVE, FLOW LIMITING	2
31	1409122	TUBE ASSEMBLY	1
32	1409124	TUBE ASSEMBLY	1
33	1409125	LOCK VALVE - SINGLE	1
34	1409128	FITTING MODIFICATION	1
35	1410465	PNEUMATIC/HYDRAULIC SEAL	AR
36	1422818	HYDRAULIC CYLINDER 3.0 (SEE PAGE 1-45)	REF
37	15K5	FITTING, STRAIGHT	3
38	15K7	FITTING, STRAIGHT	1
39	17K5	ELBOW, 90	3
40	18EM613ER	WASHER, FLAT M6	2
41	27E4ER	WASHER, FLAT 1/4	4
42	45K5	ADAPTER, BULKHEAD STRAIGHT 9/16-18	2
43	47K3	TUBE, PLUG SOCKET HEAD	1
44	52855-2	SCREW, M8 X 1.25 X 16	2
45	61D4ER	NUT, HEX HEAD 1/4-20 GR5	4
46	73G428ER	SCREW, SOCKET HEAD 1/4-20 X 1-3/4	4
47	86F5	LOCKNUT, BULKHEAD 37 FLARE	5
48	87F5	ADAPTER, HYDRAULIC UNION STRAIGHT	1
49	102-0949	BULKHEAD TUBE, 90 ELBOW	3
50	1409123	TUBE ASSEMBLY	1

PIVOT ARM AND CROSSHEAD ASSEMBLY

ITEM	PART NO.	DESCRIPTION	QTY.
45	3GM620ER	SCREW, SOCKET HEAD M6X1-20 CL12.9	8
46	30324-2	TUBING	2
47	40DM8ER	NUT, HEX HEAD LOCK M8 CL10	2
48	52952	FEMALE ROD CLEVIS	1
49	7823	PIVOT SHAFT	1
50	9934	PIN, PIVOT WELD AND ASSEMBLY	1



**FIGURE 1-35 ENGINE AND TRANSMISSION GROUP
(2 OF 3)**

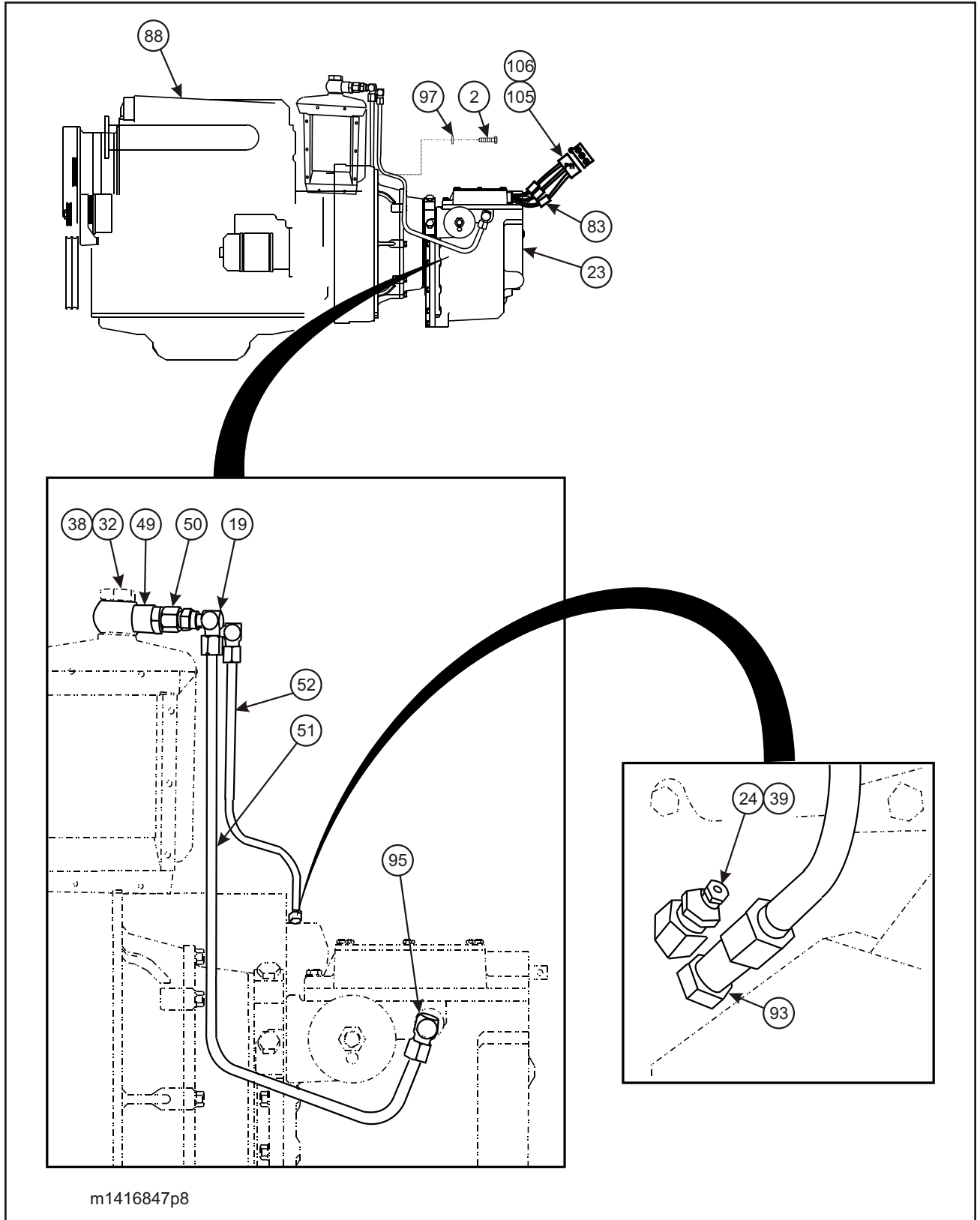


FIGURE 1-44 ENGINE AND TRANSMISSION ASSEMBLY
 (8 of 13)

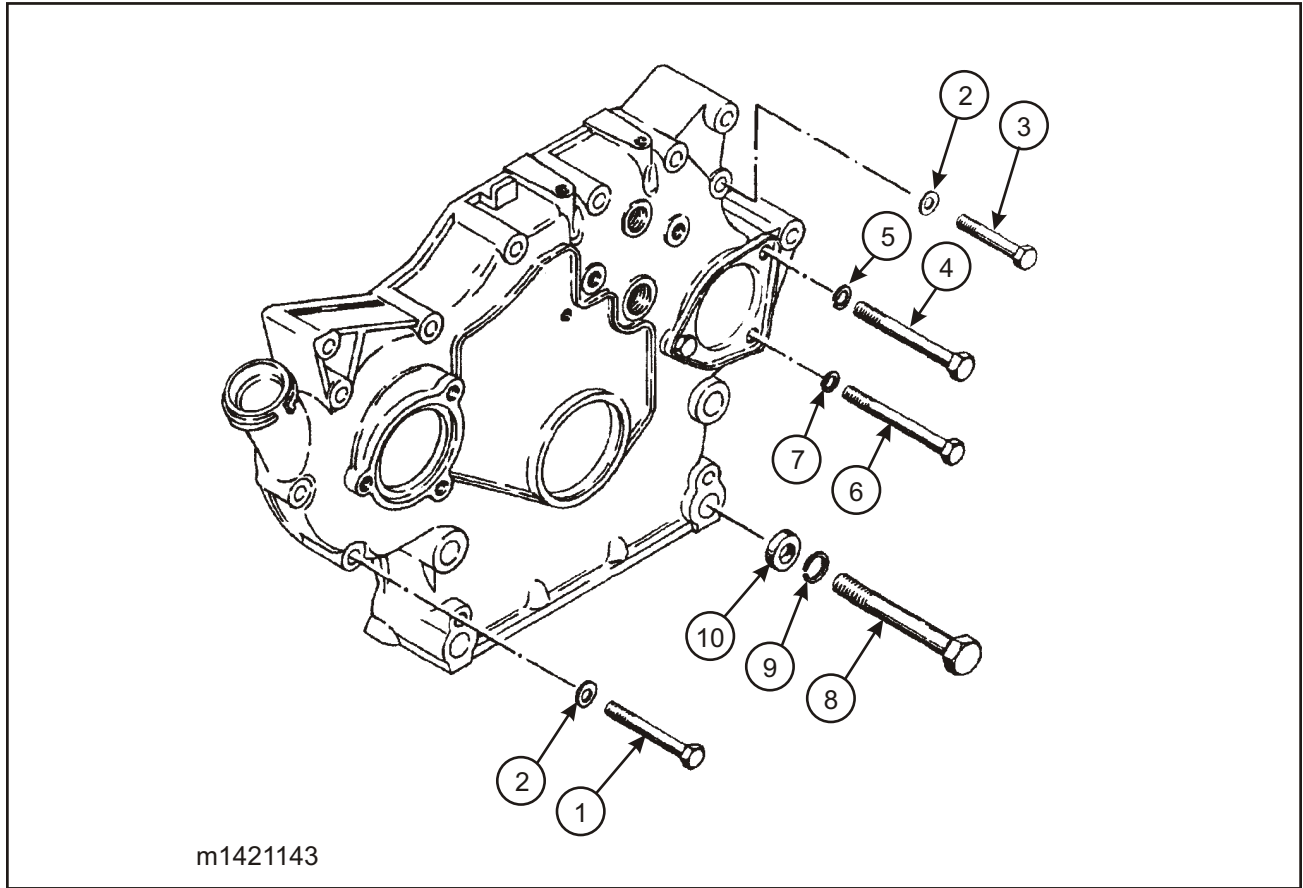


FIGURE 1-51 FASTENING ASSEMBLY

FASTENING ASSEMBLY

ITEM	PART NO.	DESCRIPTION	
	1421143	FASTENING ASSEMBLY	
1	1421142	HEXAGON BOLT	1
2	1421144	PLAIN WASHER	3
3	1421145	HEXAGON BOLT	1
4	1421147	HEXAGON BOLT	1
5	1421149	LOCK WASHER	1
6	1421152	HEXAGON BOLT	1
7	1421153	LOCK WASHER	1
8	1421154	HEXAGON BOLT	4
9	1421155	LOCK WASHER	4
10	1421156	PLAIN WASHER	16

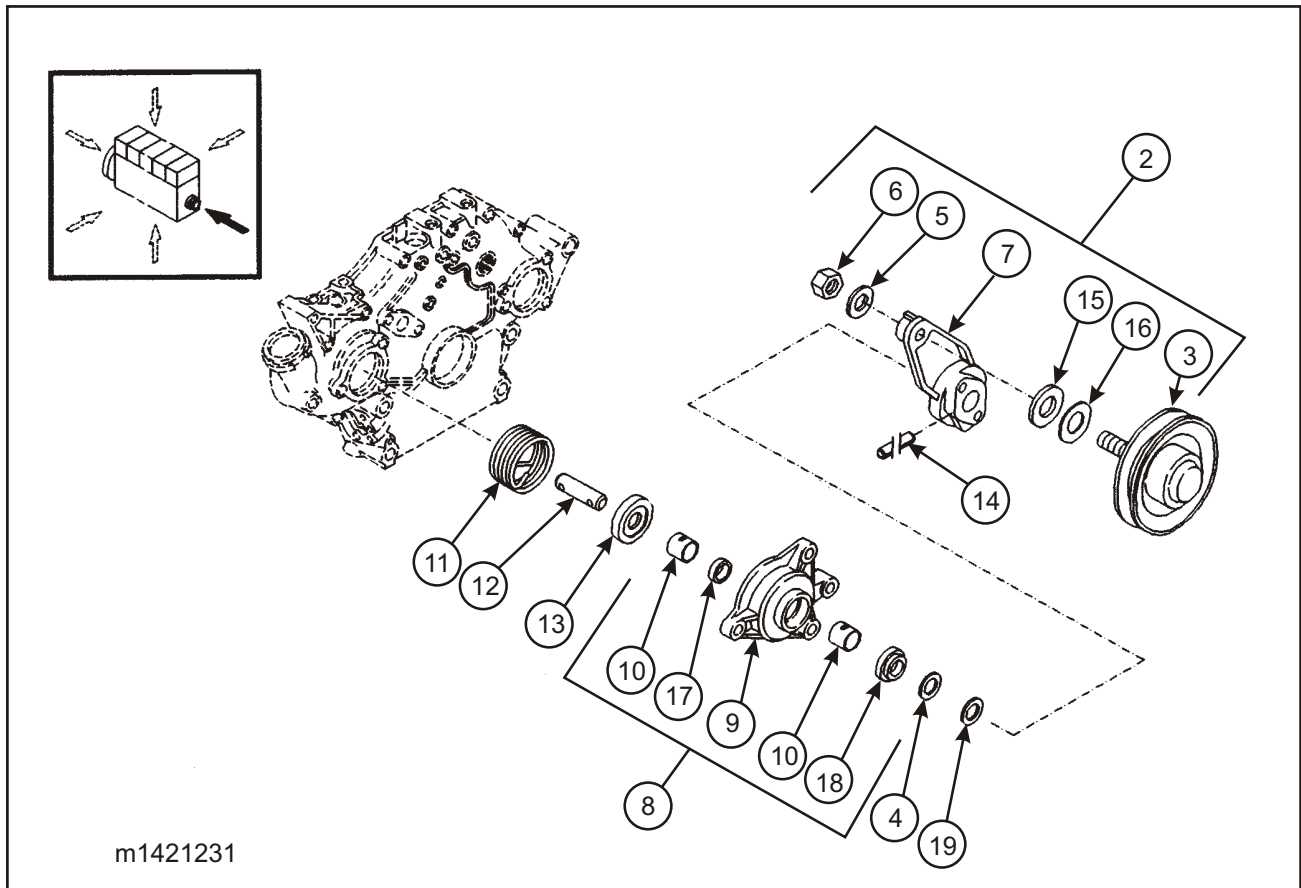


FIGURE 1-61 TENSIONING PULLEY ASSEMBLY

TENSIONING PULLEY ASSEMBLY

ITEM	PART NO.	DESCRIPTION	
	1421231	TENSION PULLEY ASSEMBLY	
1	1421232	TENSIONING PULLEY (INCL ITEMS 2-19)	1
2	1421233	V-GROOVED PULLEY	1
3	1421234	TENSIONING PULLEY	1
4	1421235	THRUST WASHER	1
5	1421236	PLAIN WASHER	1
6	1421237	HEXAGON NUT	1
7	1403408	PULLEY LEVER	1
8	1403134	IDLER PULLEY COVER	1
9	1421238	IDLER PULLEY COVER	1
10	1403136	BEARING BUSH	2
11	1403137	YOKE SPRING	1
12	1403410	SHAFT	1
13	1403139	PLAIN WASHER	1
14	1403446	STRAIGHT PIN	1
15	1403458	PLAIN WASHER	1
16	1403461	PLAIN WASHER	3
17	1421239	BUSH	1
18	1421240	ROTATOR SHAFT LIP SEAL	1
19	1403513	THRUST WASHER	1

CRANKSHAFT ASSEMBLY

ITEM	PART NO.	DESCRIPTION	
	135960	CRANKSHAFT ASSEMBLY	
1	135961	CRANKSHAFT	1
2	135962	TOOTHED GEAR	1
3	1403163	NOTCHED PIN	1
4	1403170	STRAIGHT PIN	7
5	135963	MAIN BEARING	6
6	135964	BIG END BEARING	6
7	135965	THRUST WASHER	1
8	135966	THRUST WASHER	1
9	135967	MAIN BEARING (NOT SHOWN)	1
10	135968	MAIN BEARING (NOT SHOWN)	1
11	135969	BIG END BEARING (NOT SHOWN)	1
12	135970	BIG END BEARING (NOT SHOWN)	1
13	135971	THRUST WASHER (NOT SHOWN)	1
14	135972	THRUST WASHER (NOT SHOWN)	1

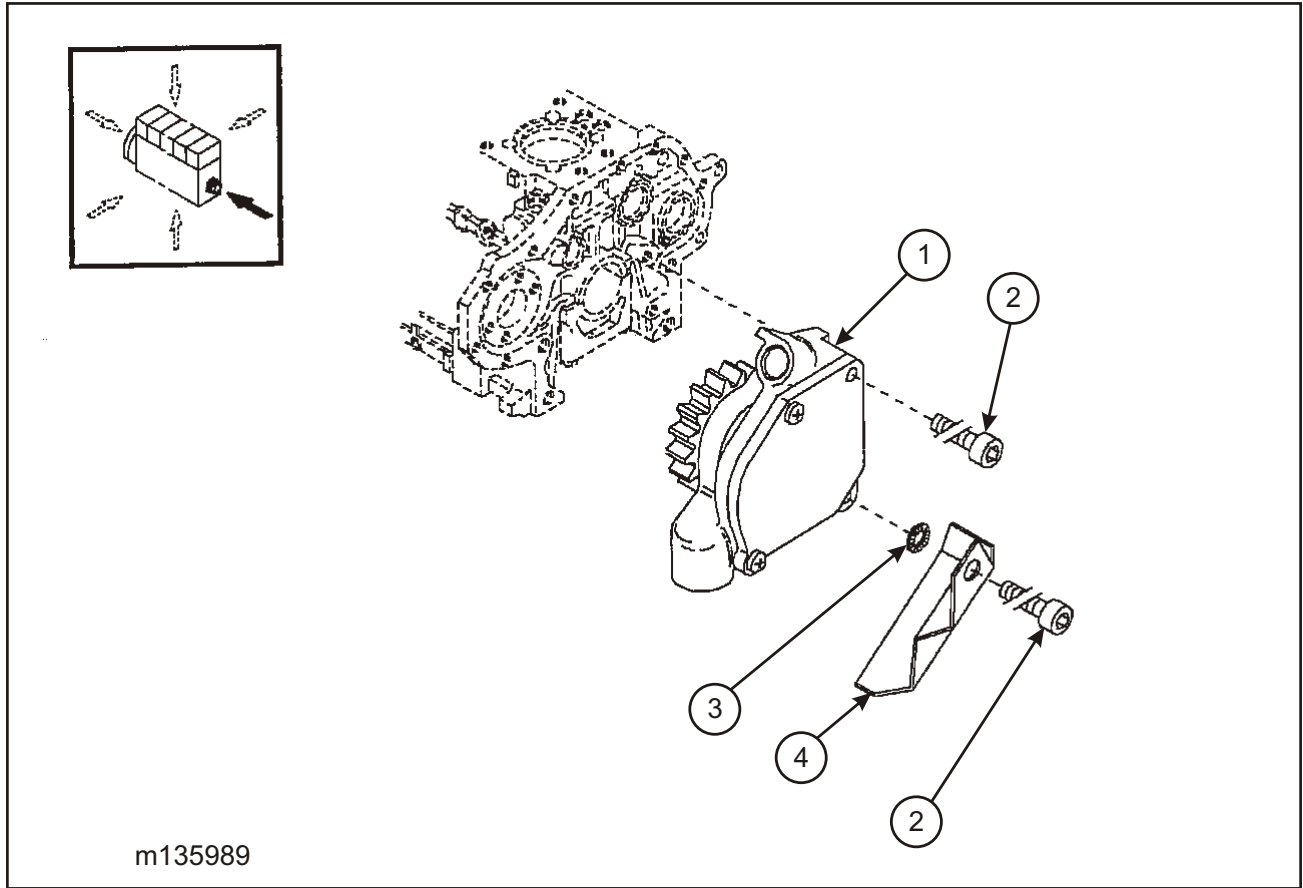


FIGURE 1-79 LUBRICATING OIL PUMP ASSEMBLY

LUBRICATING OIL PUMP ASSEMBLY

ITEM	PART NO.	DESCRIPTION	
	135989	LUBRICATING OIL PUMP ASSEMBLY	
1	135990	LUBRICATING OIL PUMP	1
2	1421290	CHEESE HEAD SCREW	2
3	1403249	RETAINING WASHER	2
4	1403250	COOLING AIR BAFFLE	1

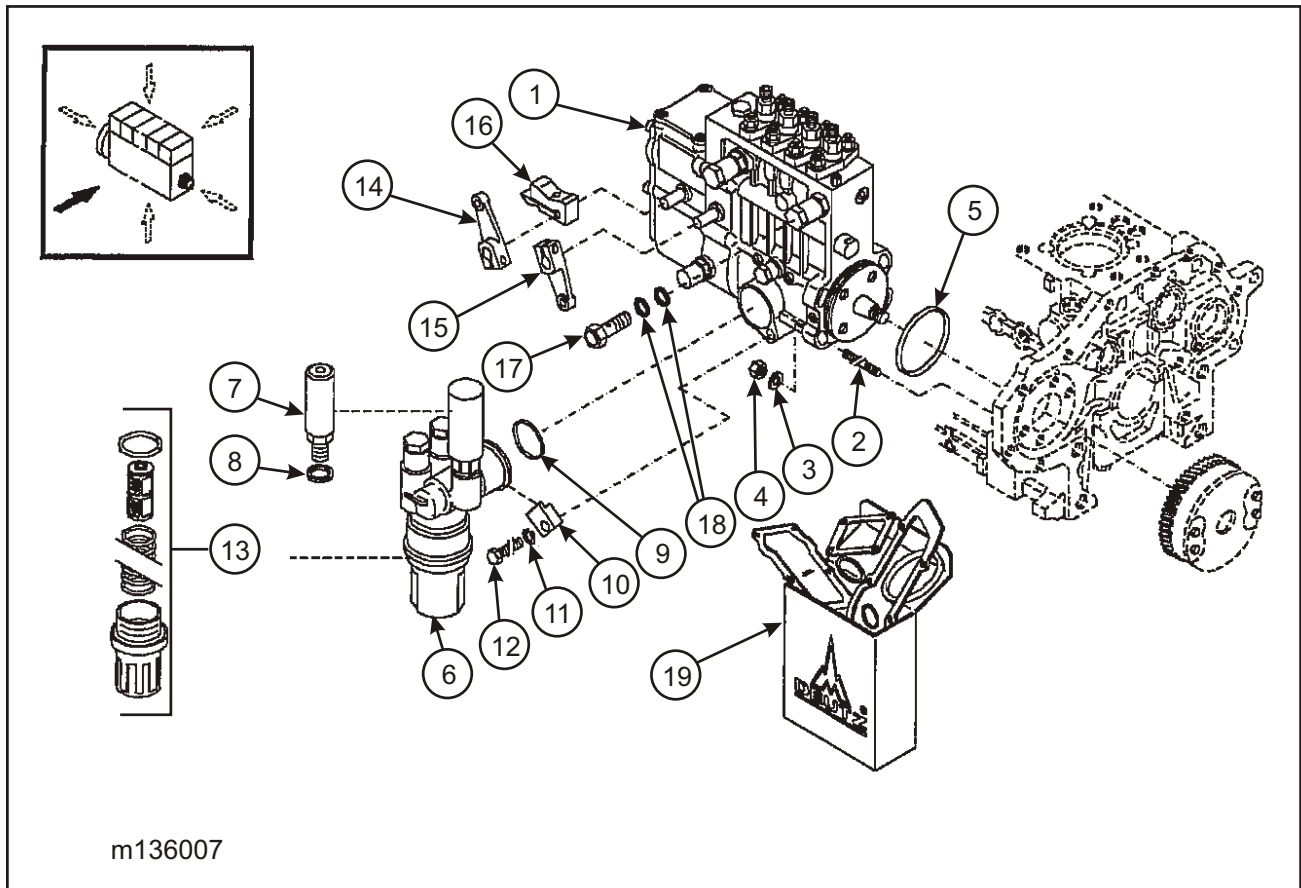


FIGURE 1-88 FUEL INJECTION PUMP ASSEMBLY

FUEL INJECTION PUMP ASSEMBLY

ITEM	PART NO.	DESCRIPTION	
	136007	FUEL INJECTION PUMP ASSEMBLY	
1	136008	FUEL INJECTION PUMP	1
2	1403279	STUD	4
3	136009	PLAIN WASHER	4
4	1421275	HEXAGON NUT	4
5	1421344	O-SEAL	1
6	136010	FUEL PUMP	1
7	136011	HAND PUMP	1
8	136012	SEALING RING	1
9	136013	O-SEAL	1
10	136014	CLIP	2
11	6EM60ER	LOCK WASHER	2
12	136015	HEXAGON BOLT	2
13	136016	PARTS SET	1
14	136017	SPEED CONTROL LEVER	1
15	136018	SHUT-OFF LEVER	1
16	136019	STOP LEVER	1
17	136020	OVERFLOW VALVE	1
18	136021	SEALING RING	2
19	136022	GASKET SET	1

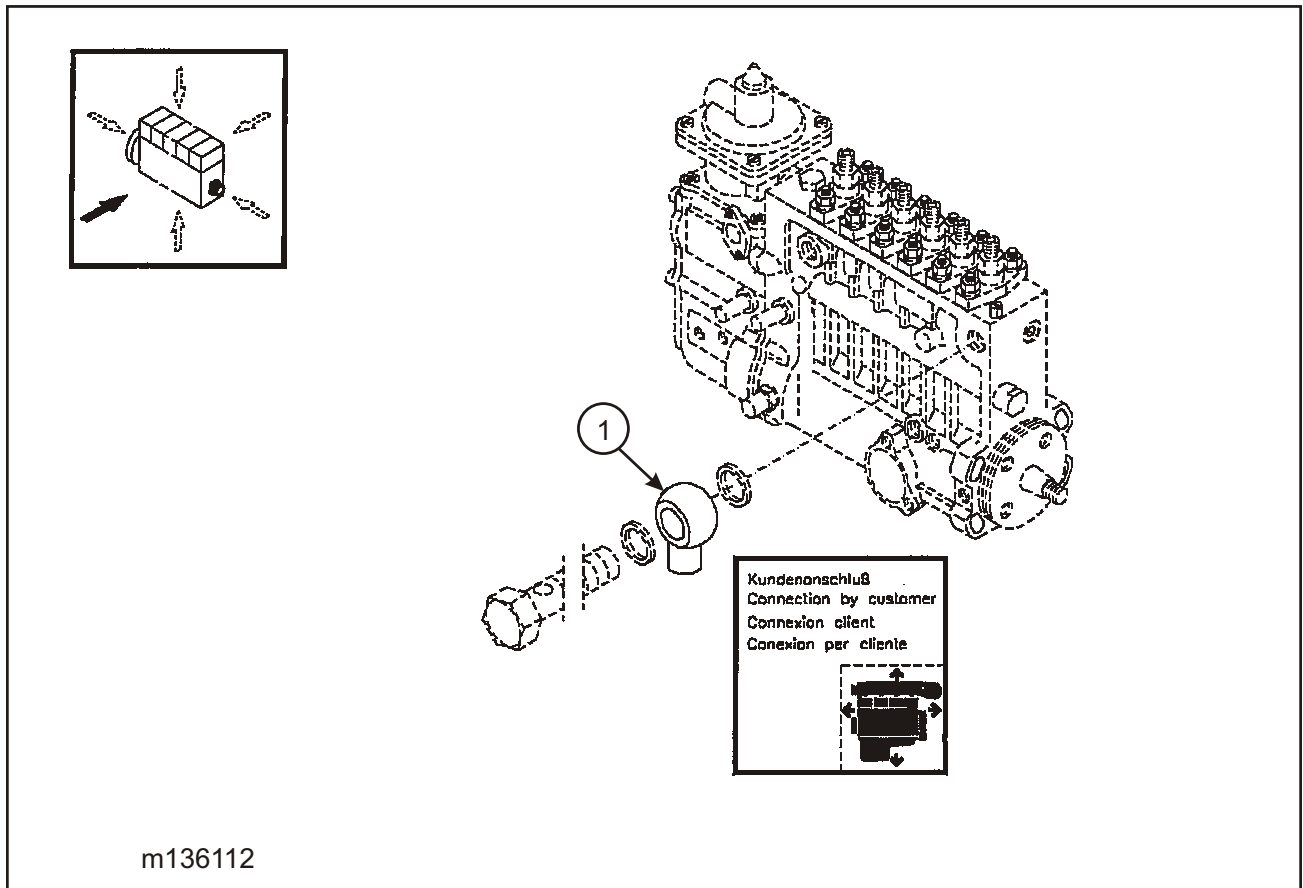


FIGURE 1-96 OVERFLOW LINE ASSEMBLY

OVERFLOW LINE ASSEMBLY

ITEM	PART NO.	DESCRIPTION	
	136112	OVERFLOW LINE ASSEMBLY	
1	1406103	BANJO FITTING	1

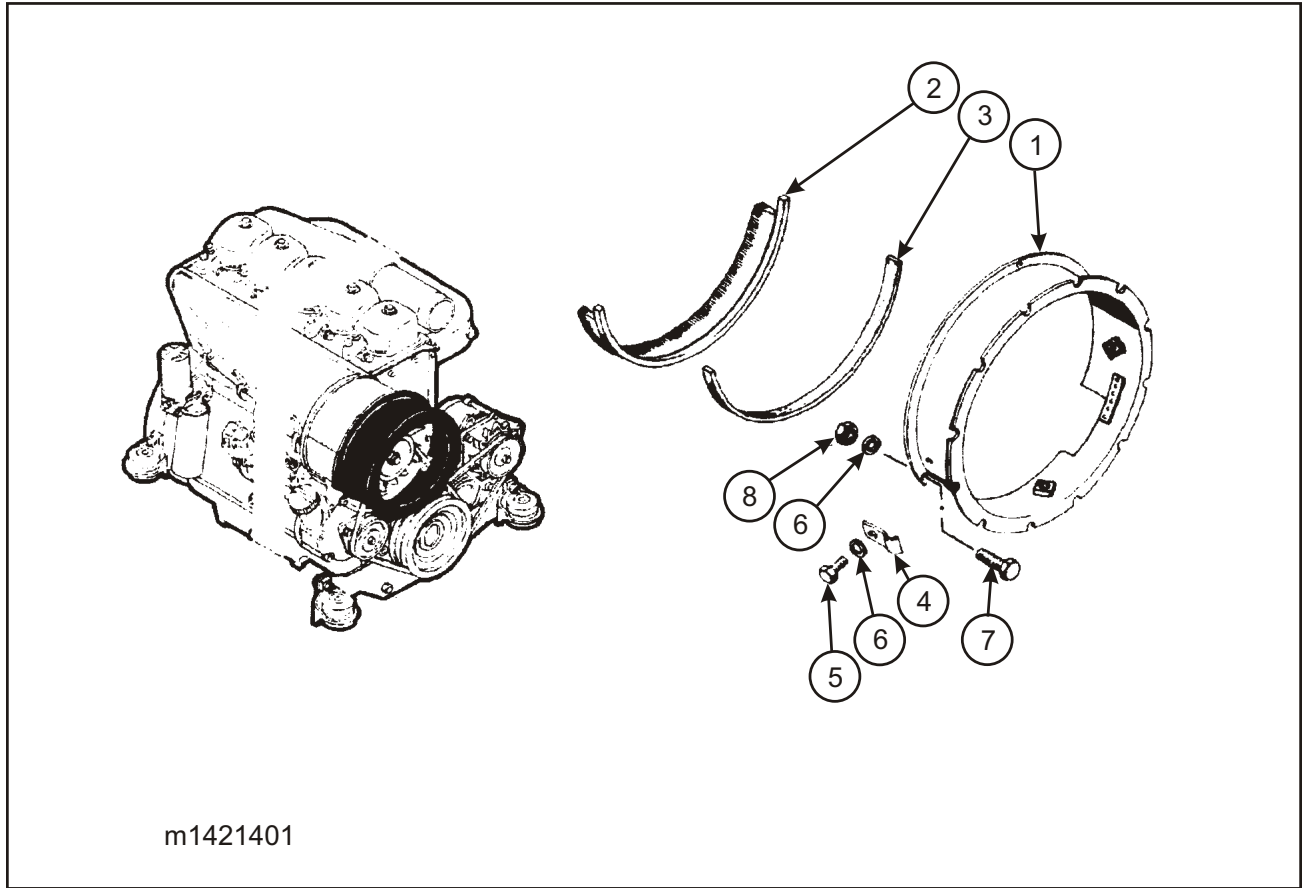


FIGURE 1-106 PISTON GUIDE RING ASSEMBLY

PISTON GUIDE RING ASSEMBLY

ITEM	PART NO.	DESCRIPTION	
	1421401	PISTON GUIDE RING	
1	1404282	AIR FEED	1
2	1404350	SEALING BRUSH	1
3	1404351	SEALING SECTION	1
4	1404352	PIPE CLAMP	3
5	4CM610ER	HEXAGON BOLT	3
6	1403532	PLAIN WASHER	5
7	1403646	HEXAGON BOLT	3
8	1DM6ER	HEXAGON NUT	2

CLICK HERE TO **DOWNLOAD** THE COMPLETE MANUAL

- Thank you very much for reading the preview of the manual.
- You can download the complete manual from: www.heydownloads.com by clicking the link below



- Please note: If there is no response to CLICKING the link, please download this PDF first and then click on it.

CLICK HERE TO **DOWNLOAD** THE COMPLETE MANUAL

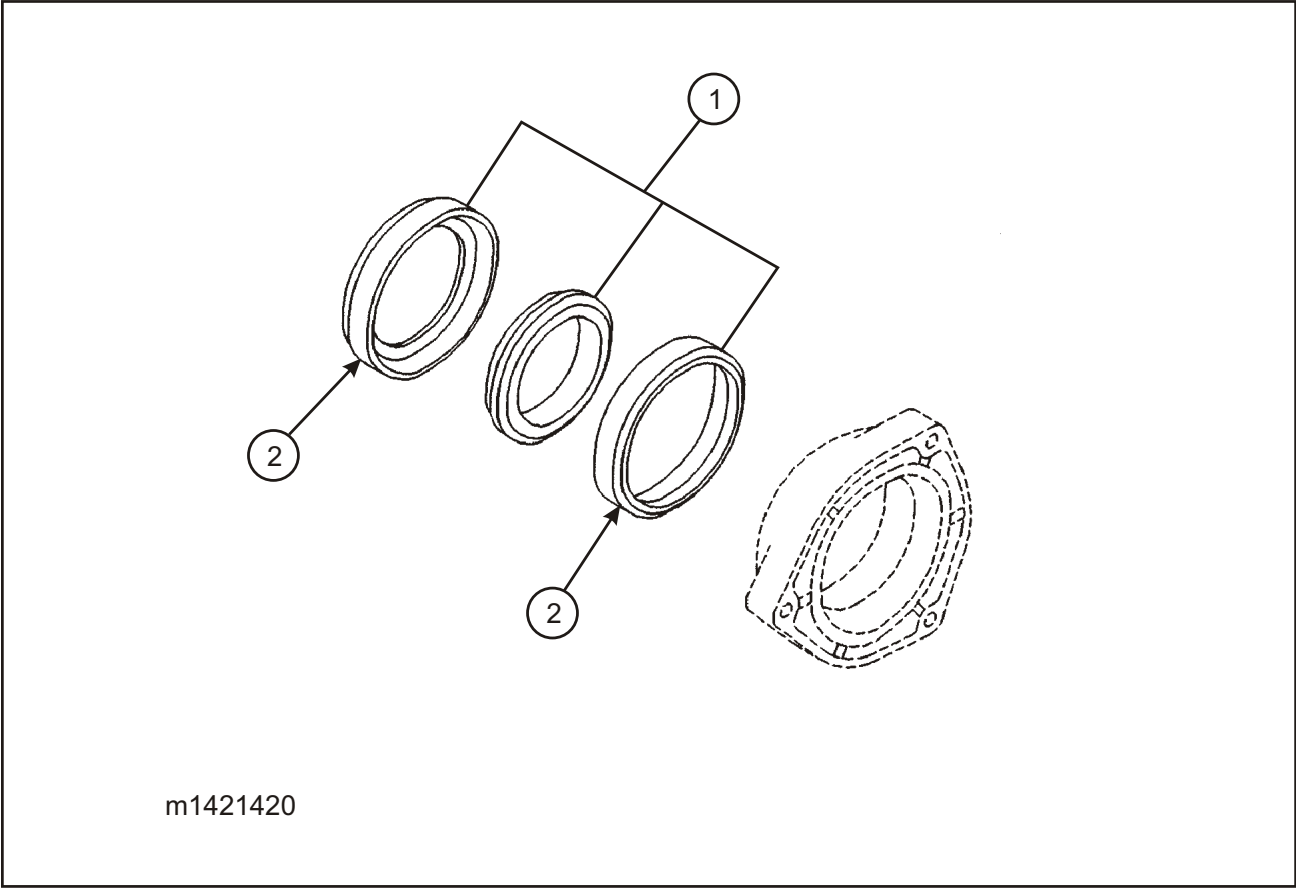


FIGURE 1-116 SEALS AND GASKETS

SEALS AND GASKETS

ITEM	PART NO.	DESCRIPTION	
	1421420	SEALS AND GASKETS	
1	1421421	SEALS, GASKETS	1
2	136126	GASKET	2

MAGNET/SOLENOID ASSEMBLY

ITEM	PART NO.	DESCRIPTION	
	136142	MAGNET/SOLENOID ASSEMBLY	
1	136143	MAGNET/ SOLENOID	1
2	136144	CHEESE HEAD SCREW	2
3	136145	RETAINING WASHER	6
4	6EM60ER	LOCK WASHER	1
5	136146	TOW BAR	1
6	1421346	HEXAGON NUT	1
7	136147	TOW BAR	1
8	136148	PLAIN WASHER	1
9	136149	SPLIT PIN	1
10	136150	CHEESE HEAD SCREW	2
11	136151	HEXAGON BOLT	1
12	136018	SHUT-OFF LEVER	1
13	136152	BRACKET	1
14	136153	CHEESE HEAD SCREW	2
15	136154	SEALING RING	4
16	136155	PACKING COMPOUND	1

FORWARD SHAFT ASSEMBLY

ITEM	PART NO.	DESCRIPTION	QTY.
	1405121	FORWARD SHAFT ASSEMBLY	
1	51668	BEARING	1
2	51663-14	THRUST WASHER	1
3	51663-13	THRUST WASHER	1
4	1404830	GEAR, 2ND SPEED	1
5	57203	BEARING, NEEDLE	2
6	57205	THRUST WASHER	1
7	1405114	SNAP RING	1
8	57207	PLATE, CLUTCH PRESSURE	2
9	57208	PLATE, CLUTCH (FRICTION)	10
10	57209	PLATE, CLUTCH (STEEL)	10
11	57210	RING, SNAP	2
12	57211	RETAINER, SPRING	2
13	57212	SPRING RETAINER ASSEMBLY	2
14	1404863	CLUTCH PISTON	2
15	57214	RING, SEALING	2
16	57149	O-RING	2
17	57206	RING, SNAP	1
18	1405120	FORWARD SHAFT (INCL ITEMS 19-22)	1
19	1404904	FORWARD SHAFT	1
20	1404845	CYLINDER, CLUTCH	1
21	51664-4	RIVET	8
22	1404891	BRASS PIN	2

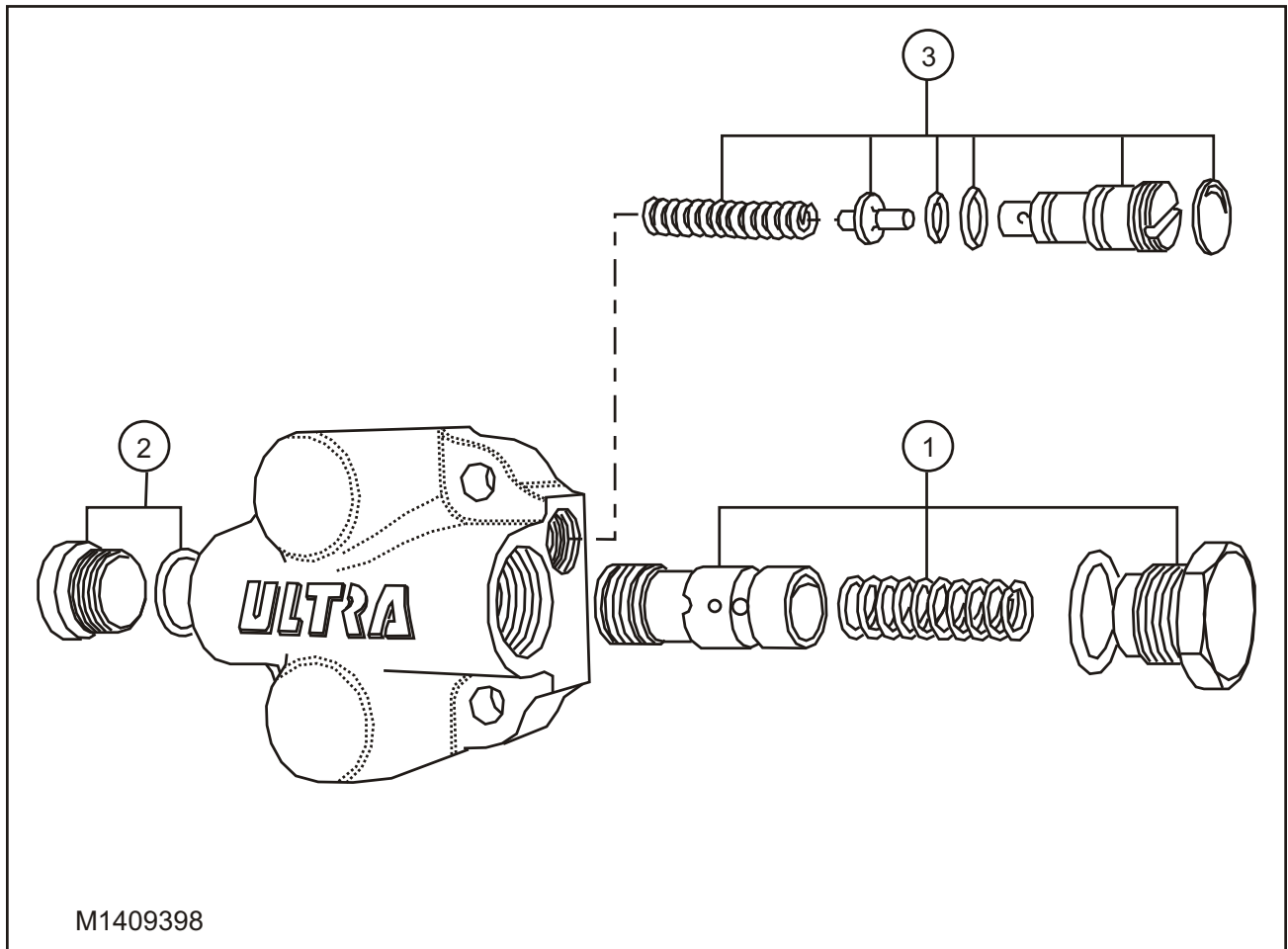


FIGURE 1-139 TANDEM GEAR PUMP PARTS

TANDEM GEAR PUMP PARTS

ITEM	PART NO.	DESCRIPTION	QTY.
	1409398	TANDEM GEAR PUMP W/ PRIORITY END CAP PARTS	
1	1409917	SEAL KIT FOR 1PX60 PUMP	1
2	1410100	SEAL KIT, FRONT	1
3	1410101	SEAL KIT, PRIORITY VALVE	1

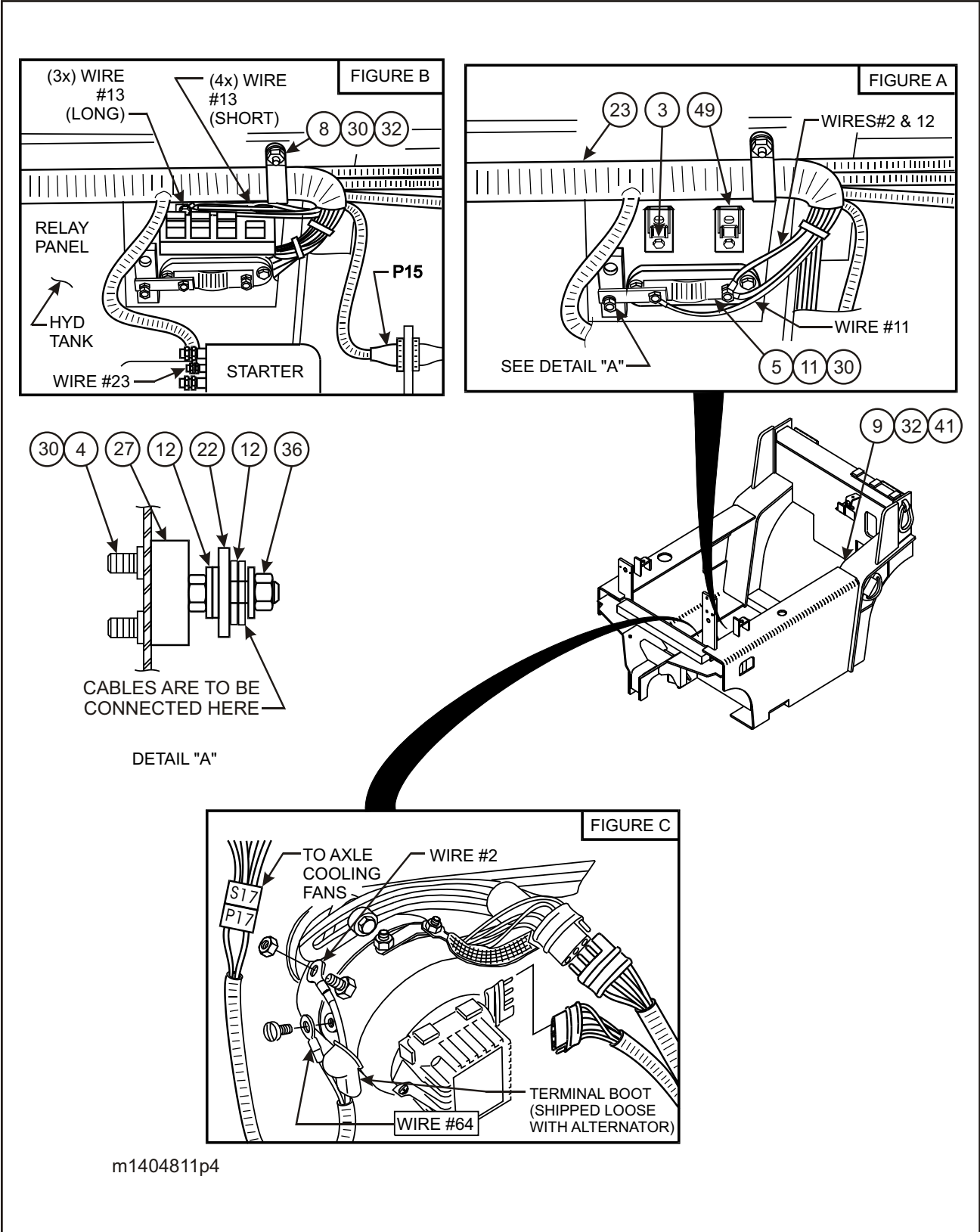
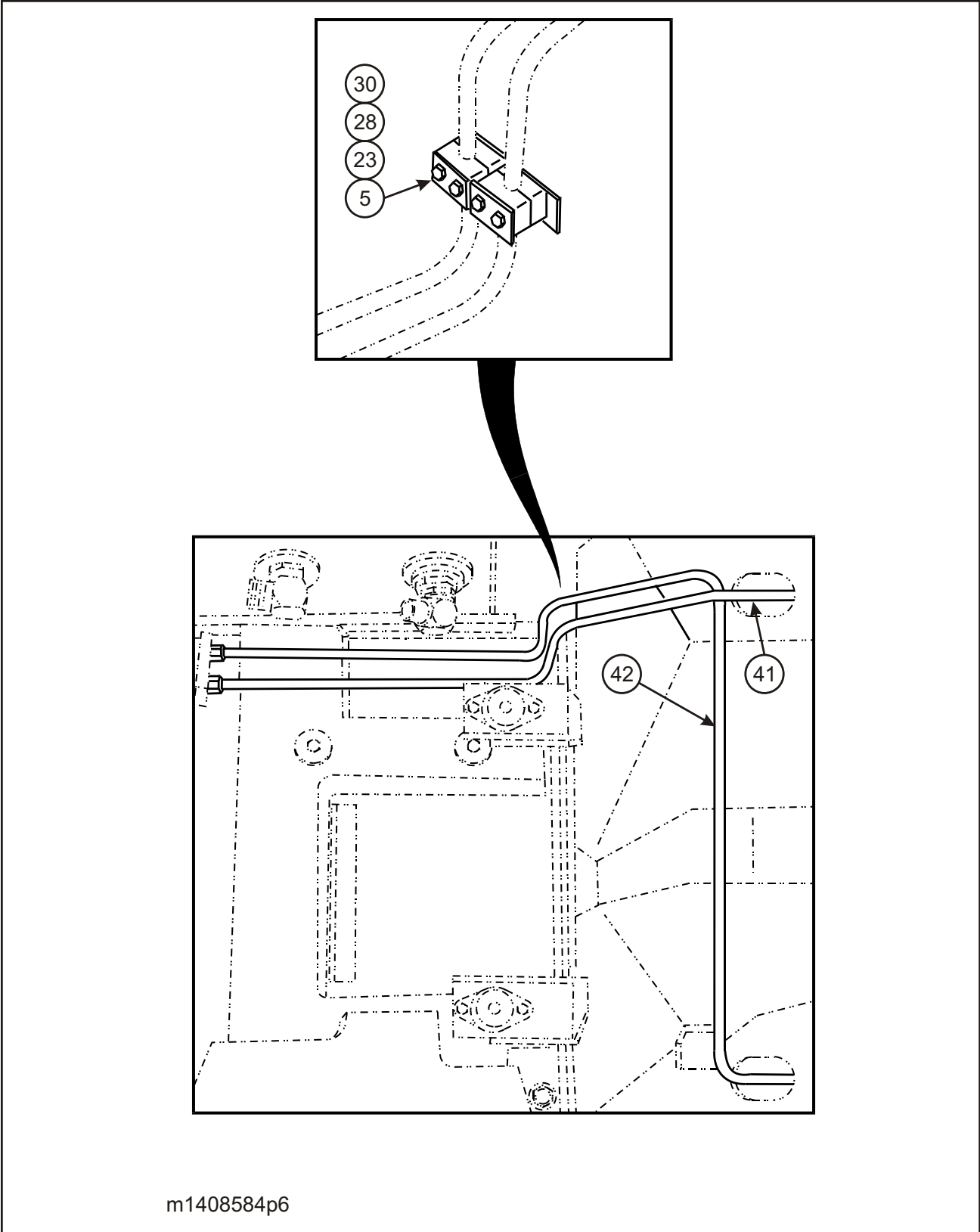


FIGURE 1-146 ELECTRICAL GROUP

(4 OF 5)



m1408584p6

FIGURE 1-154 HYDRAULIC GROUP (6 OF 12)

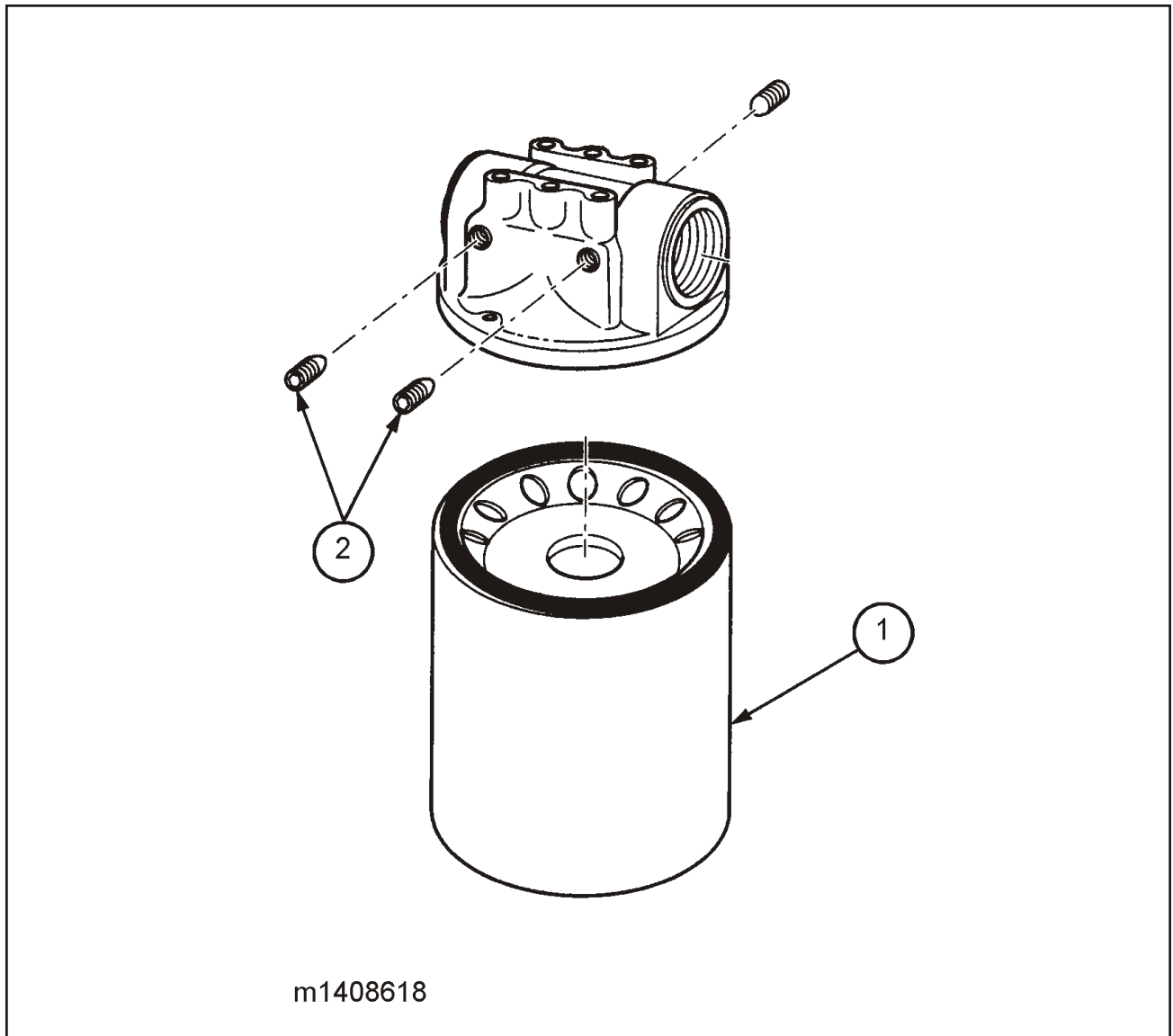


FIGURE 1-162 FILTER ASSEMBLY

FILTER ASSEMBLY

ITEM	PART NO.	DESCRIPTION	QTY.
	1408618	FILTER 10 MICRON ASSEMBLY SPIN ON	
1	1408619	FILTER, SPIN ON 10 MICRON	1
2	16F2	PLUG, PIPE HEX SOCKET 1/8	4

COVERS GROUP

ITEM	PART NO.	DESCRIPTION	QTY.
	1408586	COVERS GROUP - CAB	
1	1CM1630ER	SCREW, HEX HEAD M16 X 30	4
2	1CM820ER	SCREW, HEX HEAD M8 X 1.25-20 CL8.8	2
3	1DM6ER	NUT, HEX M6 CL8.8	7
4	1DM8ER	NUT, M8 X 1.25 CL 8.8	7
5	12D8E	HEX HEAD NUT 8-32	2
6	1401756	BALL STUD	2
7	1407942	HOOD WELDMENT	1
8	1408284	WELDMENT, LOAD REST	1
9	1408287	AIR DUCT ASSEMBLY	1
10	1408288	PLATE, AIR DUCT	1
11	1408291	LATCH, DRAW OVER CENTER	2
12	1408294	SCREW, FLATHEAD #8-32X1	2
13	1408349	BUMPER PAD	2
14	1408673	SPRING, GAS	1
15	1408839	REAR COVER BRACKET	1
16	1408947	COVER BRACKET WELDMENT	1
17	1408974	COVER, FILTER	1
18	1408976	REAR COVER WELDMENT	1
19	1408978	AIR DUCT COVER WELDMENT	1
20	1408979	REAR LOAD REST WELDMENT	1
21	1408980	LOAD SUPPORT REST WELDMENT	1
22	1409019	CLIP, SPRING	12
23	1409953	COVER ROD WELDMENT	1
24	1409955	LEFT COVER WELDMENT	1
25	1409957	SPACER, COVER ROD	2
26	1409958	RING, RETAINING 1/4	2
27	1409968	BARRIER INSULATING ENGINE HOOD	1
28	1409969	BARRIER, INSULATING PAD	1
29	1409970	BARRIER INSULATING 6.38X11.75	1
30	1409971	BARRIER INSULATING 16.5X18	1
32	1410075	SHIM, ENGINE HOOD 10GA	1
33	1410076	SHIM, ENGINE HOOD	1
34	18EM1632ER	FLATWASHER, HARDENED M16	4
35	18EM816ER	WASHER, FLAT M8	6
36	23GM620ER	SCREW, SOCKET FLAT HEAD CL8.8	3
37	23GM820ER	SCREW, SOCKET FLANGE HEAD M8X20MM CL8.8	9
38	25E8E	WASHER, FLAT #8	2
39	27CM620ER	SCREW, SOCKET BUTTON HEAD CL8.8	6
40	27CM820	SCREW, SOCKET BUTTON HEAD M8X20MM	4
41	27E4ER	WASHER, FLAT NOM 1/4	14
42	27E5ER	WASHER, FLAT HARDENED 5/16	1
43	29CM616ER	SCREW, FLANGE HEX HEAD M6X1X16MM	7
44	4E5E	WASHER, LOCKING 5/16	2
45	51365-3	RIVET BLIND DOME AL 1/8X.425	4
46	61D5ER	NUT, 5/16-18	2

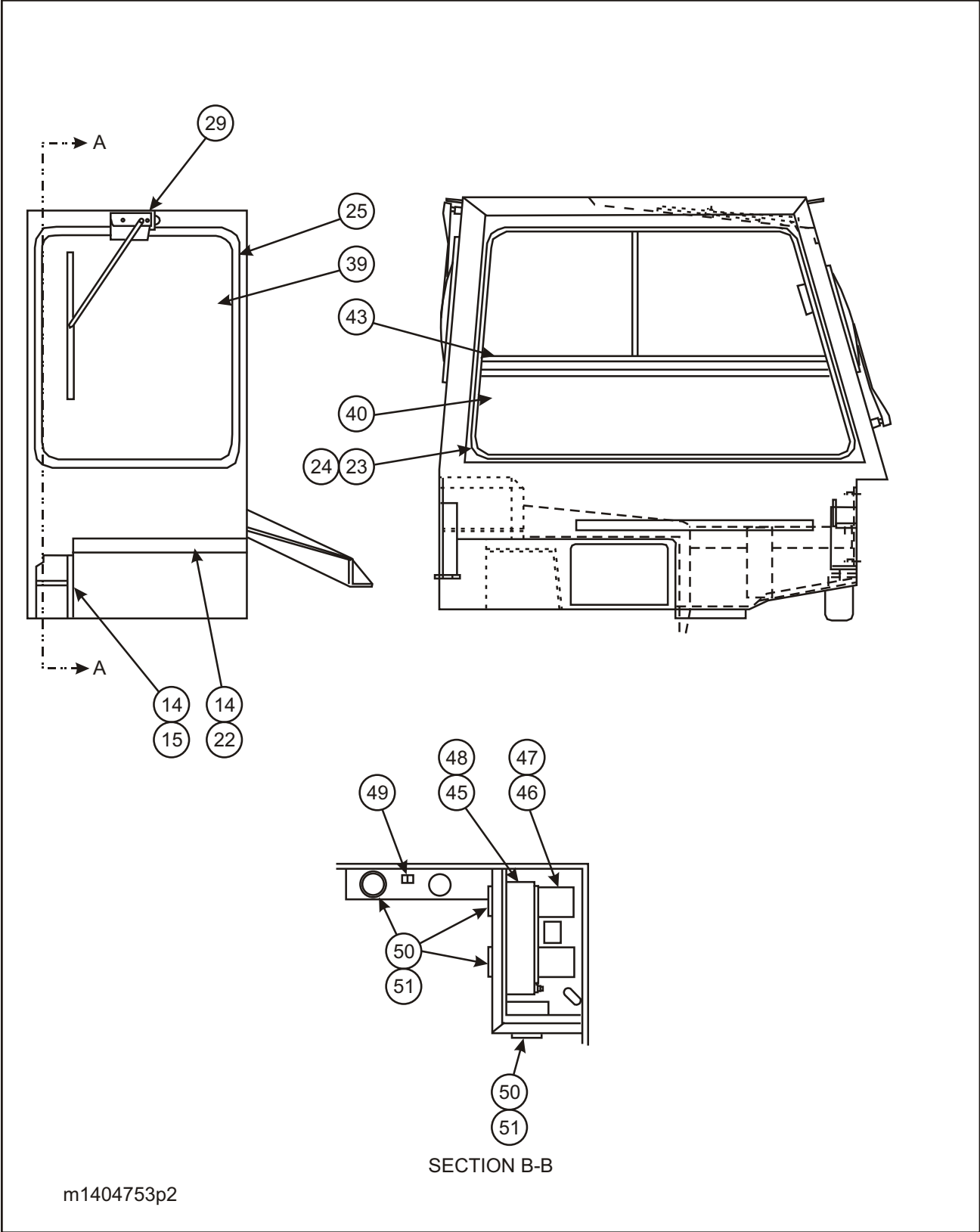


FIGURE 1-174 CAB BREAKDOWN (2 OF 2)

CONSOLE ASSEMBLY

ITEM	PART NO.	DESCRIPTION	QTY.
	1409014	CONSOLE ASSEMBLY	2
1	1CM1045ER	SCREW, HEX HEAD M10X1.5-45 CL 8.8	2
2	1CM516ER	SCREW, HEX HEAD CAP M5 X 16 CL8.8	4
3	1CM625ER	SCREW, HEX HEAD CAP M6 X 25 CL8.8	8
4	1CM816ER	SCREW, HEX HEAD M8X16 CL8.8	3
5	1CM820ER	SCREW, HEX HEAD M8X1.25-20 CL8.8	4
6	1CM830ER	SCREW, HEX HEAD M8X30 CL8.8	1
7	1DM10ER	NUT, HEX HEAD M10 CL8.8	5
8	1DM8ER	NUT, HEX HEAD M8X1.25 CL8.8	1
9	13E6ER	WASHER, LOCK #6	4
10	1401012	NUT, U 8X1.25	7
11	1401259	WASHER, SNUB .45IDX2ODX.125	5
12	1407330	JOYSTICK CONTROL P & S (SEE PAGE 1-239)	1
13	1407470	CABLE W/ VALVE ADAPTER	4
14	1408005	PANEL, SIDE CONSOLE	1
15	1408040	SUPPORT SHAFT WELDMENT	1
16	1408201	BEARING, FLANGED 3/8X1/2X1/4	2
17	1408219	SWITCH ASSEMBLY (SEE PAGE 1-237)	1
18	1408862	NUT, U-TYPE M6 SHORT	4
19	1408863	SCREW, MACHINE LG HEAD	4
20	1408864	SPRING EXTENSION	1
21	1409015	INSTRUMENT PANEL ASSEMBLY (SEE PAGE 1-156)	1
22	1410127	DOOR FUSE PANEL ASSEMBLY	1
23	1410341	ROD END, FEMALE LH	1
24	1410344	WASHER, FLAT HEAVY DUTY (NOT SHOWN)	1
25	1410468	STEER COLUMN ASSEMBLY (SEE PAGE 1-235)	1
26	1410909	CABLE PARKING BRAKE PUSH/PULL	1
27	1411507	CONSOLE WELDMENT	1
28	1411513	BRAKE PEDAL ASSEMBLY (SEE PAGE 1-247)	1
29	1411516	BRACKET, MOUNTING ADJUSTABLE	1
30	15EM50ER	FLAT WASHER LC-HRS M5	4
31	15EM80ER	WASHER, FLAT M8	2
32	15665	SINGLE FUSE BLOCK	1
33	18C624ER	SCREW, HEX HEAD GR8 (NOT SHOWN)	1
34	18EM1019ER	WASHER, FLAT HS M10	2
35	18EM613ER	WASHER, FLAT M6	8
36	18EM816ER	WASHER, FLAT M8	8
37	25E6E	WASHER, FLAT #6	2
38	25171	LEVER, BRAKE, HAND, SD MOUNT	1
39	25229	SWITCH, BASIC SEALED COVER	2
40	25610	SPACER	2
41	27CM820	SCREW, SOCKET BUTTON HEAD M8 X 20	7
42	6EM50ER	WASHER, LOCK METRIC M5	4
43	6EM60ER	WASHER, LOCK METRIC M6	4
44	64D6ER	NUT, HEX HEAD 3/8-24 GR8 (NOT SHOWN)	1
45	85G605E	SCREW, PAN HEAD #6-32 X 5/16	2
46	87G626E	SCREW, PAN HEAD #6-32 X 1-5/8	2

WIRE HARNESS RUN LIST											
RUN NO.	WIRE NO.	SOURCE			DESTINATION			WIRE DATA			SPICE NO.
		CONN	TERM. P/N	PIN	CONN	TERM. P/N	PIN	P/N	COLOR	LENGTH	
94	43	WS2	25236	6	S13	25214	4	50669-3	YEL	30.00	--
95	44	WS2	25236	4	S13	25214	6	50669-3	YEL	29.00	--
96	45	WS2	25236	3	S13	25214	5	50669-3	YEL	30.00	--
97	46	WS3	25236	6	S13	25214	7	50669-3	YEL	30.00	--
98	47	WS3	25236	4	S13	25214	8	50669-3	YEL	30.00	--
99	48	WS3	25236	3	S13	25214	9	50669-3	YEL	29.00	--
100	49	WS1	25236	6	S13	25214	1	50669-3	YEL	27.00	--
101	50	WS1	25236	4	S13	25214	2	50669-3	YEL	28.00	--
102	51	WS1	25236	3	S13	25214	3	50669-3	YEL	27.00	--
103	64	TACH	25234	S	S7	25214	6	50669-3	YEL	47.00	--
104	64	TACH	25234	S	HM-1	25480	S	50669-3	YEL	4.00	--
105	75	P30	25215	3	SW15	25182	N.O.	50669-3	YEL	6.00	--
106	75	SW30	25214	3	S6	25214	15	50669-3	YEL	55.00	--

Terminal P/N's and wire P/N's listed in this table (Wire Harness Run List) are also listed in the parts list on the next page.

**FIGURE 1-187 INSTRUMENT PANEL ASSEMBLY - CAB
(4 OF 4)**

ACCELERATOR PEDAL ASSEMBLY

ITEM	PART NO.	DESCRIPTION	QTY.
	1407923	ACCELERATOR PEDAL ASSEMBLY	
1	1411239	BEARING KIT	1
2	1411240	U-BOLT ASSEMBLY KIT	1
3	1411241	LEVER AND ROD ASSEMBLY KIT	1
4	1411242	TREADLE CONVERSION KIT	1
5	1411243	CLEVIS TERMINAL KIT	1
6	1411244	BELLOWS KIT	1
7	1411245	HANGER AND BRACKET KIT	1
8	1411246	CABLE ANCHOR KIT	1
9	1411247	STOP KIT	1

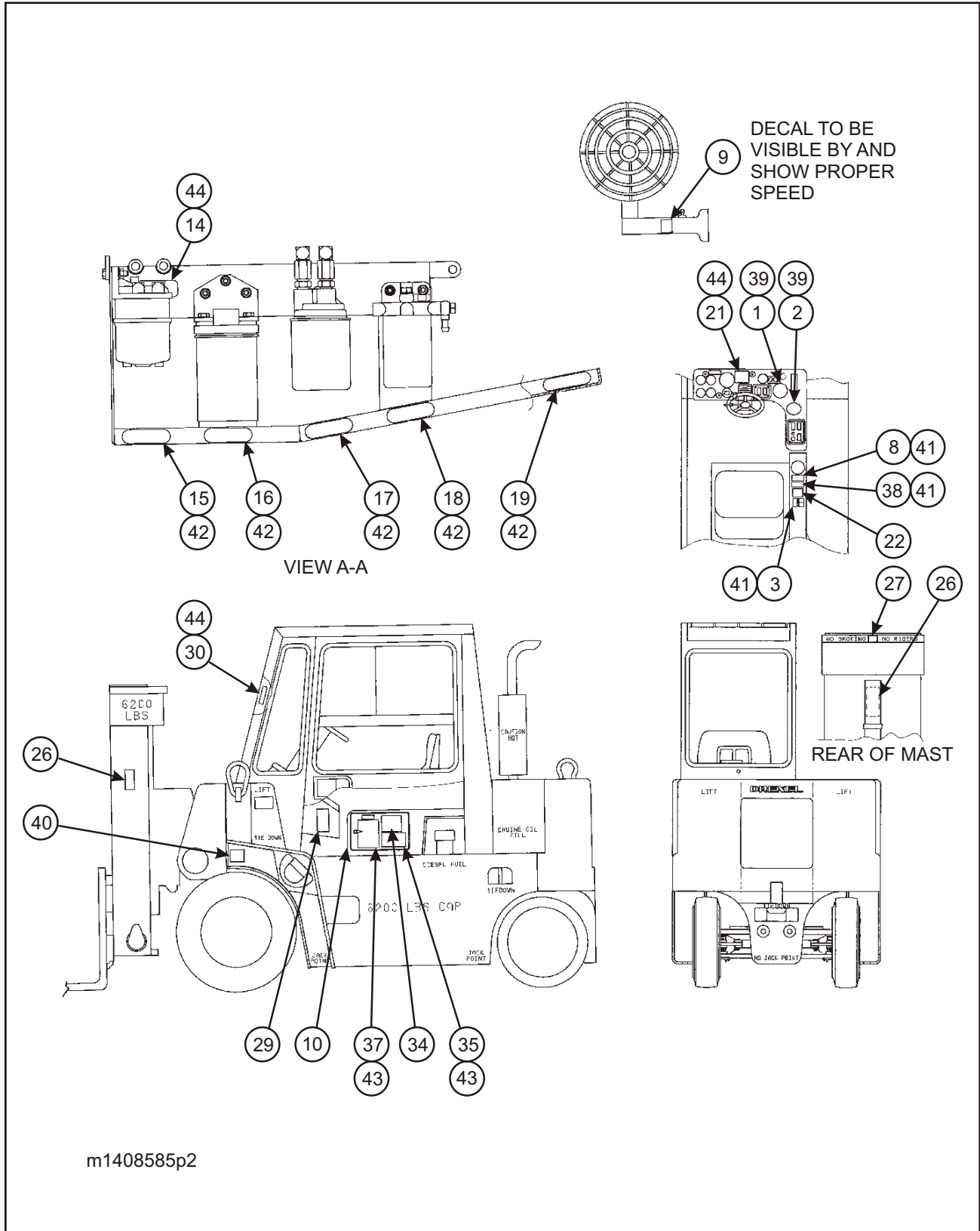


FIGURE 1-199 IDENTIFICATION GROUP

(4 of 4)

TILT CYLINDER MODIFICATION

ITEM	PART NO.	DESCRIPTION	QTY.
	1408629	TILT CYLINDER MODIFICATION	
1	1408625	CLEVIS MODIF. FOR DUST COVER	2
2	1408868	SPACER, TILT CYLINDER	2
3	1422749	CYLINDER, TILT (SEE PAGE 1-197)	2
4	36510	CYLINDER ROD COVER	2
5	51169-3	NUT, LOCK REVERSIBLE 3/8-16	2
6	51307	ADJUSTABLE BAND CLAMP	4
7	73G636ER	SCREW, SOCKET HEAD 3/8-16 X 2-1/4 GR8	2

PART	PAGE	PART	PAGE	PART	PAGE
1400071	029	1400801	017	1401314	019
1400072	029	1400854	003	1401315	019
1400072	042	1400854	006	1401316	019
1400077	042	1400925	179	1401317	019
1400078	035	1400953	244	1401318	019
1400079	035	1400954	244	1401319	019
1400082	042	1400955	185	1401321	019
1400085	042	1400956	244	1401322	019
1400086	029	1400957	244	1401323	019
1400106	029	1400958	244	1401332	019
1400107	029	1400960	244	1401340	021
1400132	069	1400963	069	1401341	021
1400158	037	1401012	233	1401343	021
1400159	037	1401014	244	1401344	021
1400169	037	1401056	013	1401346	021
1400173	037	1401057	069	1401347	021
1400175	037	1401081	069	1401348	021
1400176	029	1401083	069	1401349	021
1400176	037	1401146	013	1401350	021
1400177	013	1401147	055	1401351	021
1400225	013	1401148	055	1401352	021
1400444	055	1401212	244	1401354	021
1400445	055	1401259	055	1401355	021
1400447	055	1401259	219	1401356	021
1400451	013	1401259	233	1401357	021
1400543	033	1401260	051	1401358	021
1400544	205	1401260	215	1401359	021
1400545	033	1401263	023	1401360	021
1400594	179	1401265	023	1401361	021
1400610	200	1401278	017	1401363	021
1400611	264	1401279	017	1401364	021
1400612	264	1401283	017	1401691	224
1400718	023	1401284	017	1401745	224
1400719	023	1401285	017	1401746	224
1400724	023	1401286	017	1401748	021
1400725	023	1401287	017	1401756	213
1400759	023	1401288	017	1401850	239
1400763	021	1401294	051	1401851	239
1400773	021	1401309	019	1401852	239
1400774	021	1401310	019	1401853	239
1400775	021	1401311	019	1401854	239
1400789	021	1401312	019	1401855	239

CLICK HERE TO **DOWNLOAD** THE COMPLETE MANUAL

- Thank you very much for reading the preview of the manual.
- You can download the complete manual from: www.heydownloads.com by clicking the link below



- Please note: If there is no response to CLICKING the link, please download this PDF first and then click on it.

CLICK HERE TO **DOWNLOAD** THE COMPLETE MANUAL