



FL60 EX Forklift Parts List

Explosion Proof Lift Truck



**1900 NORTH STREET
MARYSVILLE, KANSAS 66508
(785) 562-5381**

CLICK HERE TO **DOWNLOAD** THE COMPLETE MANUAL

- Thank you very much for reading the preview of the manual.
- You can download the complete manual from: www.heydownloads.com by clicking the link below



- Please note: If there is no response to CLICKING the link, please download this PDF first and then click on it.

CLICK HERE TO **DOWNLOAD** THE COMPLETE MANUAL

TOP ASSEMBLY

ITEM	PART NO.	DESCRIPTION	QTY
45	18166	ELECTRICAL SCHEMATIC (NOT SHOWN)	1
46	18181	NAMEPLATE, DECALS AND MARKINGS (SEE PAGE 1-53)	1
48	22G1008ER	SCREW, SOCKET HEAD	8
49	25E10E	WASHER, FLAT #10	12
50	25123	THRUST BEARING OILITE	2
51	25124	NUT, 5/8-11 FLEX LOCK	2
52	26665	GREASE, LITHIUM #2 (NOT SHOWN)	AR
53	27E10ER	WASHER, FLAT 5/8	8
54	27E4ER	WASHER, FLAT 1/4	28
56	27E6ER	WASHER, FLAT 3/8	8
57	2776234	FLUID, BRAKE DOT #3 (NOT SHOWN)	AR
58	2776239	OIL, HYDRAULIC ISO 32 (NOT SHOWN)	AR
59	2777708	OIL, GEAR SAE 85W-140 (NOT SHOWN)	AR
60	28036	CLAMP, TUBE DOUBLE	2
61	30323-7	WASHER, FLAT 13/32 X 1 X .134	17
62	4E10E	WASHER, SPLIT LOCK 5/8	14
63	4E4E	WASHER, SPLIT LOCK 1/4	24
64	4E5E	WASHER, SPLIT LOCK 5/16	8
65	4E6E	WASHER, SPLIT LOCK 3/8	25
66	4E8E	WASHER, SPLIT LOCK 1/2	12
67	50102	FIRE EXTINGUISHER	1
68	5039-1	PIN, TILT CYLINDER	4
69	50903-71	BLOCK, SHEAR	4
70	5147	PIN, CLEVIS	1
71	61D10ER	NUT, HEX HEAD 5/8-11 GR5	12
72	61D12ER	NUT, HEX HEAD 3/4-10 GR5	2
74	61D5ER	NUT, HEX HEAD 5/16-18 GR5	6
75	61D6ER	NUT, HEX HEAD 3/8-16 GR5	17
76	61D8ER	NUT, HEX HEAD 1/2-13 GR5	10
77	6209DX	SUPPORT, CONTROL BOX	2
78	6719	STRAP, GROUND	2
79	7284	PIN, BATTERY TIE DOWN	2
80	73G1064ER	SCREW, SOCKET HEAD 5/8-11 X 4 GR8	2
81	73G1072ER	SCREW, SOCKET HEAD 5/8-11 X 4-1/2 GR8	2
82	73G840ER	SCREW, SOCKET HEAD 1/2-13 X 2-1/2 GR8	2
83	7561-2	TAB, SUPPORT BLOCK	2
86	7615	PIVOT PIN ASSEMBLY	2
87	7618	PLATE, FLOOR REAR	1
88	7632	SUPPORT WELDMENT	1
89	7634	BAR, BATTERY TIE DOWN	2
90	7638	BLOCK, SHEAR	4
91	8035	BUSHING, 2-1/4 X 2	2
92	1419756	BUMPER STRIP RH (USED ON FL-40)	REF 1
	1419757	BUMPER STRIP RH (USED ON FL 60)	REF 1
	18714	BUMPER STRIP (USED BOTH SIDES) (USED ON 6800#)	REF 2
93	5149	BUMPER STRIP LH (USED ON FL-40)	REF 1
	7212	BUMPER STRIP LH (USED ON FL 60)	REF 1

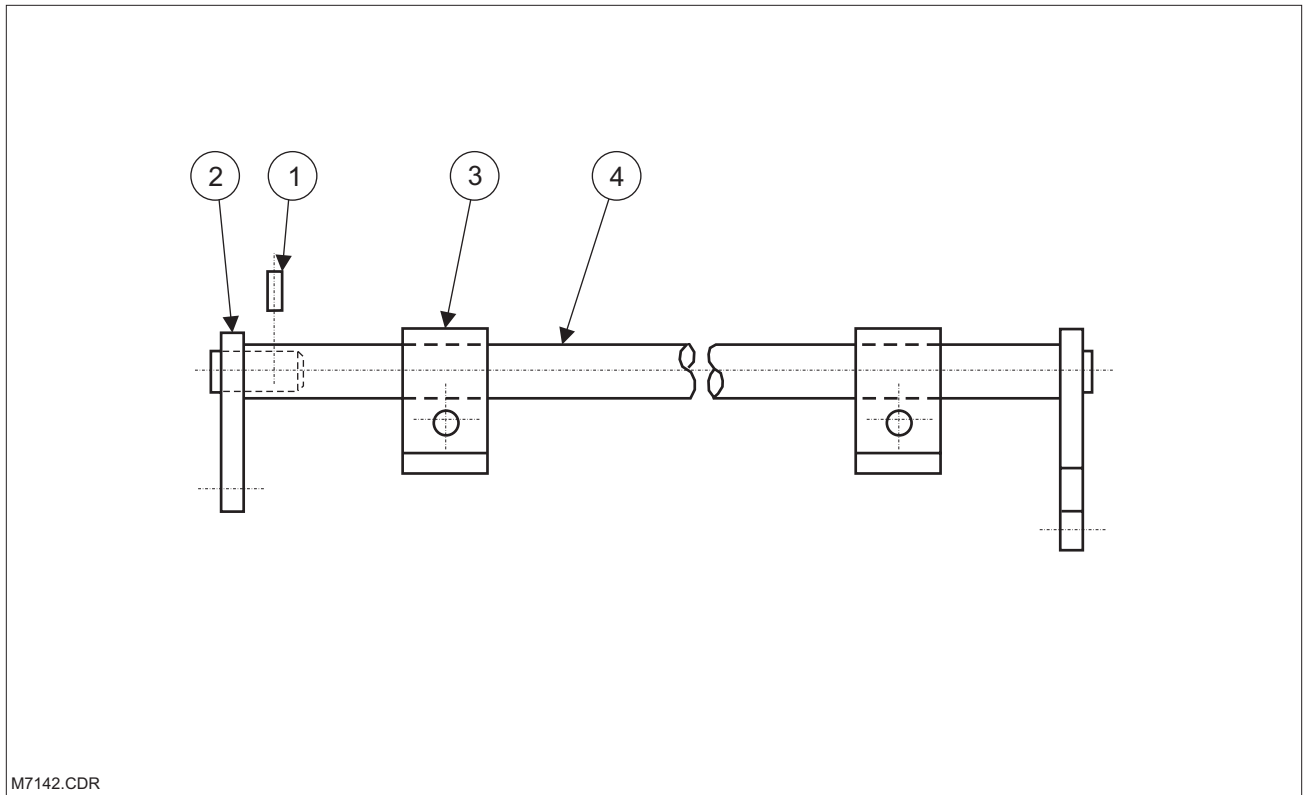


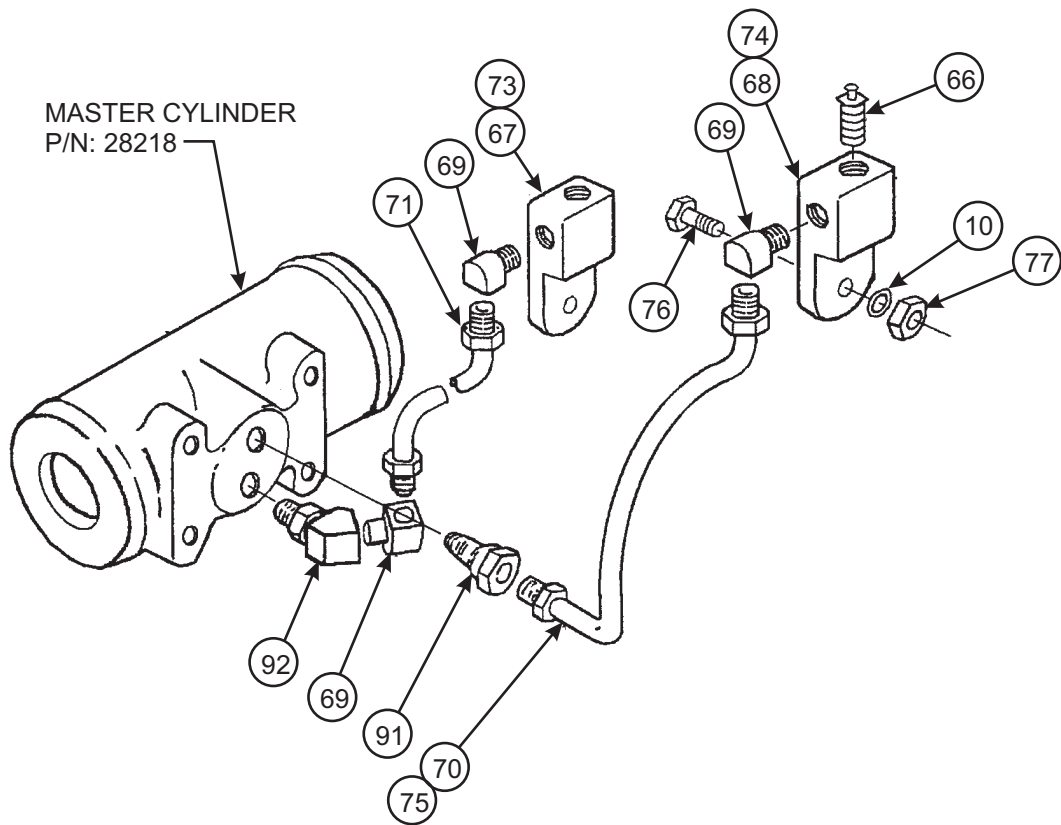
FIGURE 1-10 ACCELERATOR SHAFT ASSEMBLY

ACCELERATOR SHAFT ASSEMBLY

ITEM	PART NO.	DESCRIPTION	QTY
	7142	ACCELERATOR SHAFT ASSEMBLY	
1	MS9048-168	PIN, SPRING	1
2	7099	REMOVABLE LEVER WELDMENT	1
3	7130	BEARING BLOCK, BRASS	2
4	7143	TUBE WELDMENT ACCELERATOR SHAFT	1

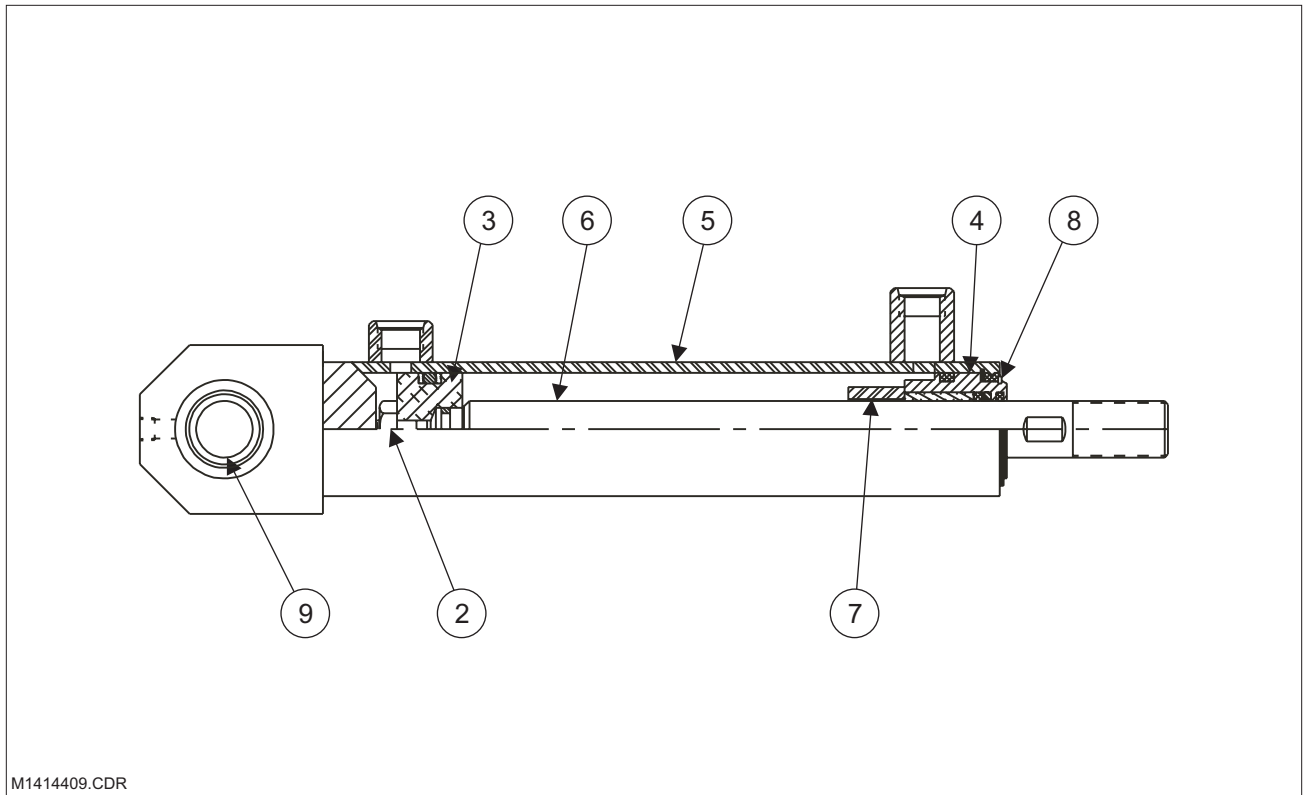
HYDRAULIC BRAKE ASSEMBLY

ITEM	PART NO.	DESCRIPTION	QTY
	50831-01	HYDRAULIC BRAKE ASSEMBLY	
	50831-03	HYDRAULIC BRAKE ASSEMBLY 6800 #	
1	1C516ER	SCREW, HEX HEAD 5/16-18 X 1 GR5	1
2	101386	PIN, COTTER 1/8X1	2
3	110-0349	PIN, COTTER 1/8 X 3/4	1
4	11823-03	BRAKE, PUSH ROD ASSEMBLY (SEE PAGE 1-26)	1
5	11824	LINK ASSEMBLY	1
6	11825	BRAKE LEVER	1
7	11826	YOKE CAM ASSEMBLY	1
8	11828	SHAFT	1
9	11829	CRANK	1
10	12D10E	NUT, HEX HEAD #10-24	2
11	1300633	FITTING, LUBE, STRAIGHT 1/4-28	4
12	13363-01	TUBE ASSEMBLY	1
13	13363-02	TUBE ASSEMBLY (50831-01 ONLY)	1
	7502-08	TUBE ASSEMBLY (50831-03 ONLY)	
14	13368	TUBE ASSEMBLY	1
15	13369	TUBE ASSEMBLY	1
16	1404016	NUT, HEX HEAD JAM 7/16-20 GR5	1
17	1412852	3/16 TUBE CLIP	2
18	18057	TUBE ASSEMBLY, LH	1
19	18058	TUBE ASSEMBLY, RH	1
20	18071-01	TUBE ASSEMBLY, REAR	1
21	20262	FITTING, ADAPTER	1
22	20263	FITTING, ADAPTER	1
23	20264	UNION, TEE	2
24	20265	ELBOW, 90°	2
25	20266	STRAIGHT UNION	1
26	20275	BRAKE HOSE	2
27	23940	SHOULDER SCREW	2
28	25021	EXTENSION SPRING	1
29	25022	BRAKE PEDAL WITH PAD (INCLUDES ITEMS 30 AND 31)	1
30	0050002	PAD, BRAKE PEDAL	1
31	136913	BRAKE PEDAL PAD WELDMENT	1
32	25889	MASTER CYLINDER	1
33	25890	CYLINDER BOOT	1
34	27E10ER	WASHER, FLAT 5/8 ZINC PLATED	1
35	27E12ER	WASHER, FLAT 3/4	1
36	27E5ER	WASHER, 5/16	2
37	27E6ER	WASHER, 3/8	3
38	4E5E	WASHER, LOCK 5/16	1
39	4E6E	WASHER, LOCK 3/8	2
40	50832	TUBE ASSEMBLY	1
41	50833	TUBE ASSEMBLY (50831-01 ONLY)	1
42	61D5ER	NUT, HEX HEAD 5/16-18 GR5 ZINC PLATED	1
43	61D6ER	NUT, HEX HEAD 3/8-16 GR5 ZINC PLATED	2
44	85G1008E	SCREW, PAN HEAD STEEL #10-24 X 1/2	2
45	7910	FRONT CROSSPLATE WELDMENT	REF



m18504p4

**FIGURE 1-25 DRIVE AXLE BREAKDOWN
(4 OF 4)**



M1414409.CDR

FIGURE 1-31 STEER CYLINDER BREAKDOWN

STEER CYLINDER BREAKDOWN

ITEM	PART NO.	DESCRIPTION	QTY
	1414409	STEER CYLINDER BREAKDOWN	
1	1416921	SEAL KIT (INCL ALL NECESSARY O-RING, SEALS, ETC)	1
2	1416922	LOCKNUT	1
3	1416923	PISTON	1
4	1416934	PISTON	1
5	1416925	BARREL ASSEMBLY	1
6	1416926	ROD	1
7	1416927	SPACER	1
8	1416928	SNAP RING, HEAD	1
9	1416929	MACHINED BUSHING	1

CLICK HERE TO **DOWNLOAD** THE COMPLETE MANUAL

- Thank you very much for reading the preview of the manual.
- You can download the complete manual from: www.heydownloads.com by clicking the link below



- Please note: If there is no response to CLICKING the link, please download this PDF first and then click on it.

CLICK HERE TO **DOWNLOAD** THE COMPLETE MANUAL

TRIPLEX MAST INSTALLATION OPTION

ITEM	PART NO.	DESCRIPTION	QTY
	18615-01	MAST, TRIPLEX INSTALLATION 71/152/47	
	18615-02	MAST, TRIPLEX INSTALLATION 77/170/53	
	18615-04	MAST, TRIPLEX INSTALLATION 83/188/59	
	18615-05	MAST, TRIPLEX INSTALLATION 87/198/63	
	18615-06	MAST, TRIPLEX INSTALLATION 95/216/71	
	18615-07	MAST, TRIPLEX INSTALLATION 103/236/79	
	18617-02	MAST, TRIPLEX INSTALLATION 77/170/53	
	18617-04	MAST, TRIPLEX INSTALLATION 83/188/59	
	18619-01	MAST, TRIPLEX INSTALLATION 71/152/47	
	18619-02	MAST, TRIPLEX INSTALLATION 77/170/53	
	18619-04	MAST, TRIPLEX INSTALLATION 83/188/59	
	18619-05	MAST, TRIPLEX INSTALLATION 87/198/63	
	18619-06	MAST, TRIPLEX INSTALLATION 95/216/71	
	18619-07	MAST, TRIPLEX INSTALLATION 103/236/79	
	18621-01	MAST, TRIPLEX INSTALLATION 71/152/47	
	18621-02	MAST, TRIPLEX INSTALLATION 77/170/53	
	18621-04	MAST, TRIPLEX INSTALLATION 83/188/59	
	18621-05	MAST, TRIPLEX INSTALLATION 87/198/63	
	18621-06	MAST, TRIPLEX INSTALLATION 95/216/71	
	18621-07	MAST, TRIPLEX INSTALLATION 103/236/79	
	18623-01	MAST, TRIPLEX INSTALLATION 71/149/45	
	18623-02	MAST, TRIPLEX INSTALLATION 77/167/51	
	18623-03	MAST, TRIPLEX INSTALLATION 83/185/57	
	18623-04	MAST, TRIPLEX INSTALLATION 87/196/61	
	18623-05	MAST, TRIPLEX INSTALLATION 95/214/69	
	18623-06	MAST, TRIPLEX INSTALLATION 103/234/77	
	18625-01	MAST, TRIPLEX INSTALLATION 71/149/45	
	18625-02	MAST, TRIPLEX INSTALLATION 77/167/51	
	18625-03	MAST, TRIPLEX INSTALLATION 83/185/57	
	18625-04	MAST, TRIPLEX INSTALLATION 87/196/61	
	18625-05	MAST, TRIPLEX INSTALLATION 95/214/69	
	18625-06	MAST, TRIPLEX INSTALLATION 103/234/77	
	18627-01	MAST, TRIPLEX INSTALLATION 71/149/45	
	18627-02	MAST, TRIPLEX INSTALLATION 77/167/51	
	18627-03	MAST, TRIPLEX INSTALLATION 83/185/57	
	18627-04	MAST, TRIPLEX INSTALLATION 87/196/61	
	18627-05	MAST, TRIPLEX INSTALLATION 95/214/69	
	18623-06	MAST, TRIPLEX INSTALLATION 103/234/77	
	18629-01	MAST, TRIPLEX INSTALLATION 71/149/45	
	18629-02	MAST, TRIPLEX INSTALLATION 77/167/51	
	18629-03	MAST, TRIPLEX INSTALLATION 83/185/57	
	18629-04	MAST, TRIPLEX INSTALLATION 87/196/61	
	18629-05	MAST, TRIPLEX INSTALLATION 95/214/69	
	18629-06	MAST, TRIPLEX INSTALLATION 103/234/77	

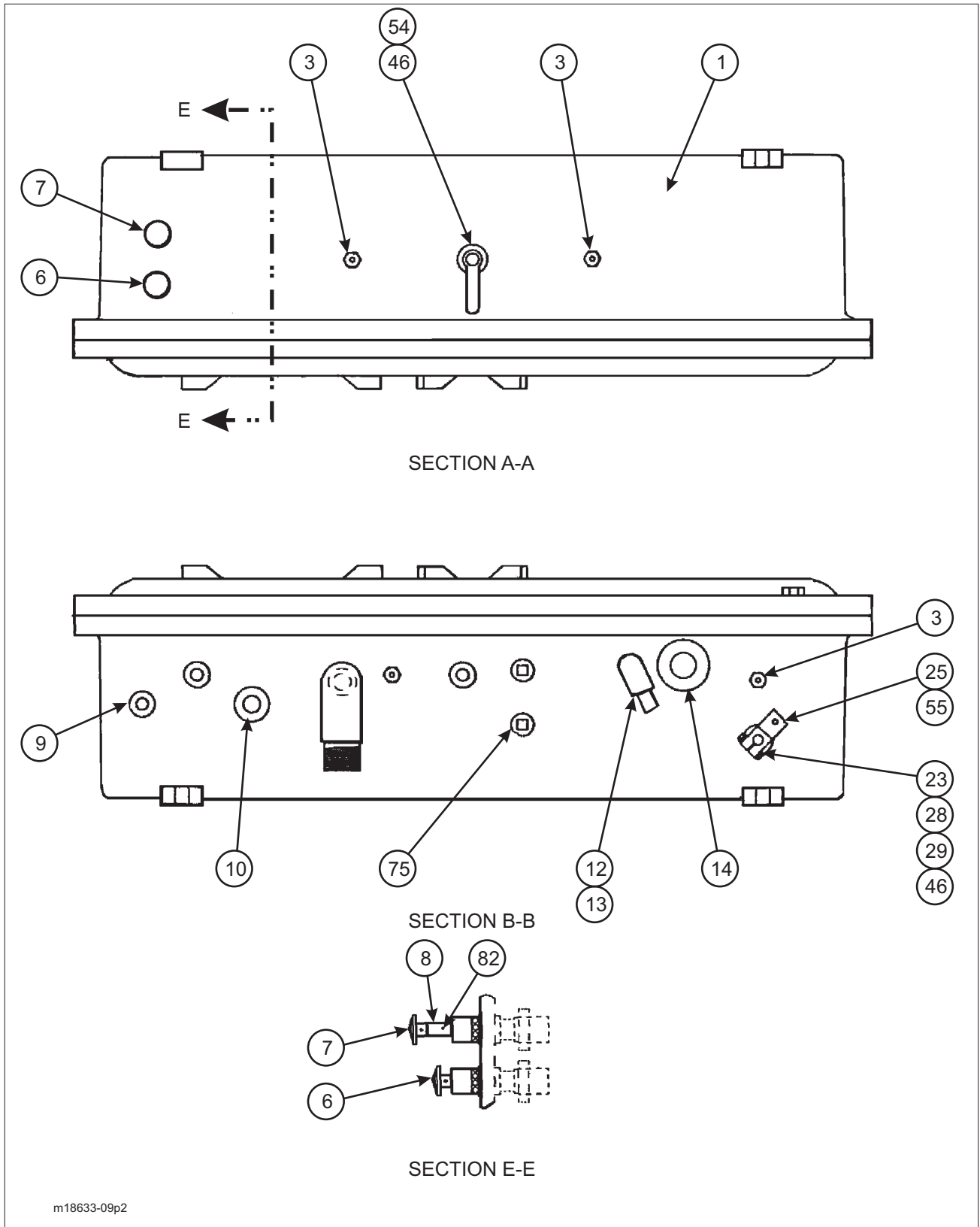


FIGURE 1-41 CONTROL BOX ASSEMBLY W/EV-100
(2 OF 2)

CONTACTOR, DPDT 300 AMP

ITEM	PART NO.	DESCRIPTION	QTY
	28888	CONTACTOR, DPDT, 300A 36VDC	
1	28888-1	BASE, DOUBLE COIL	1
2	28888-2	COIL	2
3	28888-18	FRAME, MAGNET	2
4	28888-6	SPRING, RETURN, RED	2
5	28888-3	ARMATURE ASSEMBLY	2
6	28888-9	BUS BASE	2
7	*	BUS ASSY	2
8	*	BUS ASSY	1
9	*	BUS ASSY	1
10	28888-4	BUSHING	2
11	28888-8	TIP CARRIER, MOVEABLE	2
12	*	TIP ASSEMBLY, MOVEABLE	4
13	28888-7	SEAT, SPRING	4
14	28888-5	SPRING, MOVEABLE, GOLD	2
15	28888-20	INSULATION, UPPER BUS	2
16	141134	WASHER, BRASS, FLAT, #10, 7/16, 1/32 THICK	2
17	51D10E	LOCK NUT, #10-32	2
18	28888-10	BUS CLAMP	4
19	*	BUS ASSY	1
20	*	BUS ASSY	1
21	28888-11	COVER	2
22	7CM855ER	SCREW, HEX HEAD, M8 X 1-1/4 X 55, CL 10.9	2
23	6EM80ER	LOCK WASHER, M8	2
24	15EM80ER	FLAT WASHER, M8	2
25	28888-17	CLAMP	2
26	86G875E	SCREW, PAN HEAD, #10-32 X11/16	4
27	17E8E	LOCK WASHER, #8	4
28	25E8E	FLAT WASHER, #8	4
29	28890	SUPPRESSOR (NOT SHOWN)	REF
30	28888-25	KIT, CONTACTOR (INCLUDES ITEMS WITH *)	1

HYDRAULIC ASSEMBLY

ITEM	PART NO.	DESCRIPTION	QTY
44	1C816ER	SCREW, HEX HEAD CAP 1/2-13 X 1 GR5	2
45	27E8ER	WASHER, FLAT 1/2	2
46	4E8E	WASHER, LOCK 1/2	2
47	130059	SPACER (211300205) (NOT SHOWN)	4

HYDRAULIC TANK ASSEMBLY

ITEM	PART NO.	DESCRIPTION	QTY
	18043-01	TANK, HYDRAULIC ASSEMBLY	
1	18041	HYDRAULIC RESERVOIR WELDMENT	1
2	356626	PIPE REDUCER	1
3	1419558	SUMP STRAINER	1
4	51355	SEALANT, HYDRAULIC	AR
5	18044DX	COVER WELDMENT	1
6	5111	GASKET	2
7	89G410E	SCREW, PAN HEAD 1/4-20 X 5/8	8
8	1-861-010034-09	WASHER, LOCK 1/4	9
9	10854-3	DIPSTICK	1
10	18045	COVER PLATE	1
11	25061	CAP, BREATHER	1
12	MS49006-8	PLUG, DRAIN, MAGNETIC	1
13	40K12	FITTING PLUG, HEX HEAD	2

STROBE LIGHT OPTION

ITEM	PART NO.	DESCRIPTION	QTY
	137332	STROBE LIGHT ASSEMBLY RED (INCL ITEMS 1-22)	
	1410703	STROBE LIGHT ASSEMBLY AMBER (INCL ITEMS 1-22)	
1	1DM6ER	NUT, HEX M6	1
2	137334	STROBE, EX RATED RED (137332) (ITEMS 23-25)	1
	1410315	STROBE, EX RATED AMBER (1410703) (ITEMS 23-25)	1
3	1400891	WELD STUD M6	2
4	1405553	PIPE OFFSET	1
5	1405559	OUTLET BOX EXPLOSION	1
6	145564	STEEL STRAP	2
7	1405572	BLACKOUT LENS	2
8	1410316	PLATE, MOUNTING EX STROBE	1
9	1410781	PIPE	1
10	2C416ER	SCREW, HEX HEAD 1/4-28 X 1	4
11	25233	TERMINAL, FORK R5 RED (NOT SHOWN)	4
12	27E4ER	WASHER, FLAT 1/4	4
13	27774	UNION	1
14	27775	ELBOW, FEMALE	2
15	28722	FLEXIBLE COUPLING CONDUIT	1
16	30324-2	TUBING	2
17	50669-1	WIRE, 16 GA RED (NOT SHOWN)	A/R
18	50669-2	WIRE, 16 GA GREEN (NOT SHOWN)	A/R
19	51690	FIBER, SEALING CHICO (NOT SHOWN)	A/R
20	51691	COMPOUND , SEALING (NOT SHOWN)	A/R
21	6EM60ER	WASHER, LOCK M6	2
22	62D4ER	NUT HEX HEAD 1/4-28	4
23	1411626	STROBE LAMP AND LENS ASSEMBLY AMBER	1
	140424	STROBE LAMP AND LENS ASSEMBLY RED	1
24	1411627	POWER SUPPLY, STROBE	1
25	1411628	GLOBE SUPPORT ASSEMBLY	1

BACKUP ALARM

ITEM	PART NO.	DESCRIPTION	QTY
	1404516	BACKUP ALARM	
1	1402219	WIRE BACKUP ALARM	1

THIS BILL IS FOR REFERENCE ONLY. NO ILLUSTRATION IS PROVIDED.

CLICK HERE TO **DOWNLOAD** THE COMPLETE MANUAL

- Thank you very much for reading the preview of the manual.
- You can download the complete manual from: www.heydownloads.com by clicking the link below



- Please note: If there is no response to CLICKING the link, please download this PDF first and then click on it.

CLICK HERE TO **DOWNLOAD** THE COMPLETE MANUAL