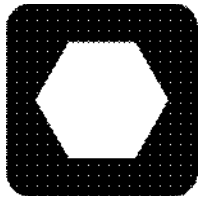


XT855

Parts Manual



CLICK HERE TO **DOWNLOAD** THE COMPLETE MANUAL

- Thank you very much for reading the preview of the manual.
- You can download the complete manual from: www.heydownloads.com by clicking the link below



- Please note: If there is no response to CLICKING the link, please download this PDF first and then click on it.

CLICK HERE TO **DOWNLOAD** THE COMPLETE MANUAL

DECAL LOCATION

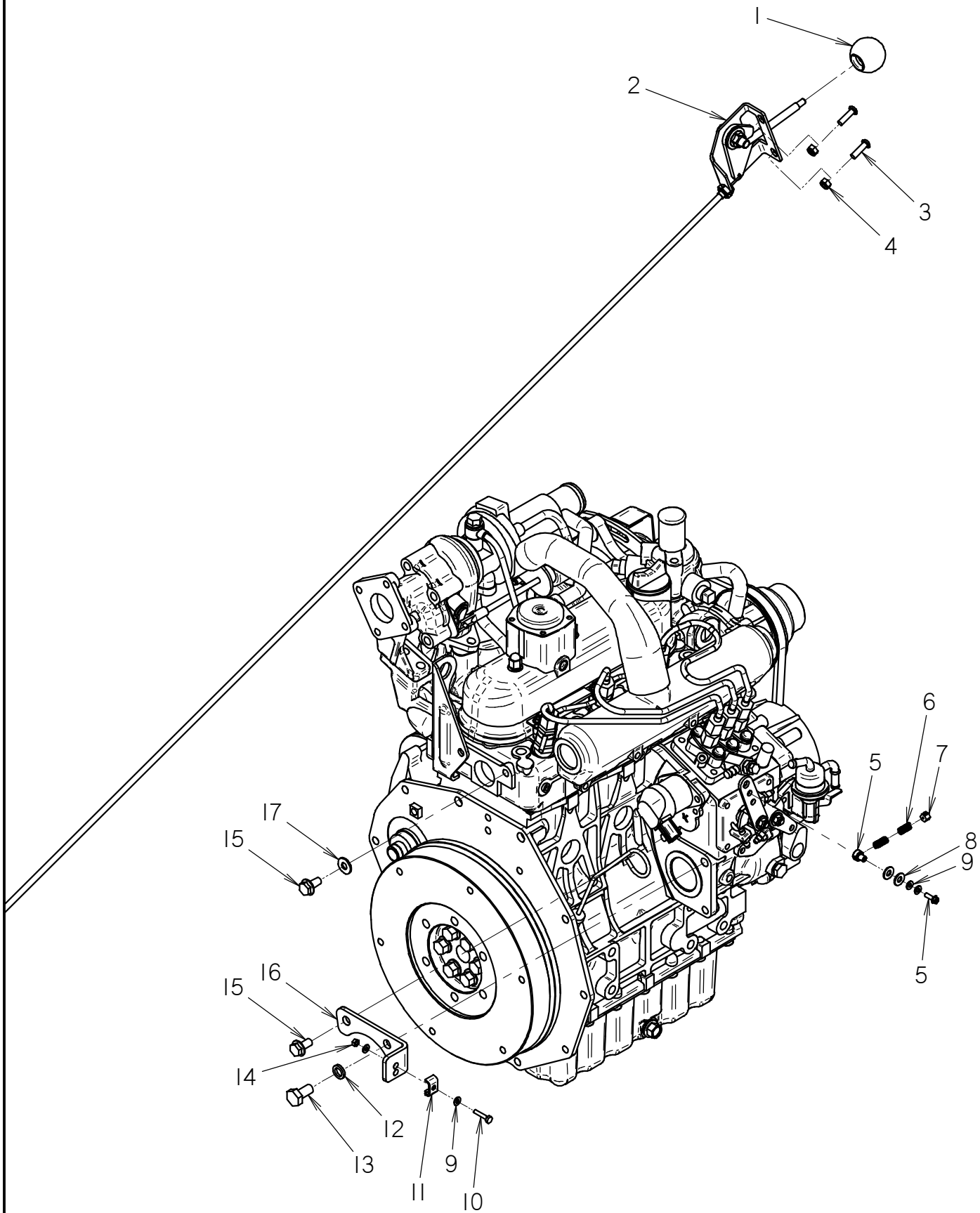
XT855

REF NO.	PART NUMBER	QTY	DESCRIPTION	REMARKS
	270-4622		DECAL KIT - XT855	
1	700-104	2	DITCH WITCH LOGOTYPE	
2	275-184	6	WARNING MOVING PARTS	
3	275-326	4	WARNING CRUSHING WEIGHT	
4	270-4605	1	XT855 MODEL ID LT	
5	274-442	4	LIFT LOCATION	
6	274-318	6	TIE DOWN LOCATION	
7	273-502	2	DITCH WITCH LOGOTYPE	
8	275-120	1	RESERVOIR (THF)	
9	273-487	2	WARNING FALL POSSIBLE	
10	274-198	1	NOTICE OIL LEVEL	
11	270-4604	1	XT855 MODEL ID RT	
12	273-528	2	DITCH WITCH LOGOTYPE	
13	700-183	1	LIGHT SWITCHES	
14	270-4599	1	XT855 CONTROL PANEL	
15	700-184	1	THROTTLE	
16	275-303	1	WARNING ROLL OVER	
17	270-4619	1	ELECTRICAL BLOCK	
18	274-854	2	LOGO PLACARD	
19	273-475	1	WARNING READ MANUAL	
20	700-182	1	GROUND DRIVE CONTROL	
21	270-4617	1	EXTENSION LEGS	SEE FOOT NOTE 2
22	270-4620	1	RELAYS	
23	270-4613	1	LED DISPLAY	
24	270-4618	1	FUSE BLOCK	
25	275-355	2	CAUTION HOT PARTS	
26	700-202	2	LOCK/UNLOCK	
27	273-524	1	LUBRICATION CHART	
28	275-148	1	FUEL TANK (DIESEL)	
29	273-452	1	NOTICE COOLANT	
30	270-4621	1	NOTICE AIR INTAKE	
31	700-181	1	LOADER/ATTACH. CONTROL	
32	700-179	1	LT EXCAVATOR CONTROL	
33	700-180	1	RT EXCAVATOR CONTROL	
34	274-291	1	SOUND POWER	SEE FOOT NOTE 1
35	270-6773	1	PATENT	
36	273-459	1	WARNING EXPLOSION POSSIBLE	
37	270-4607	1	COLD START BYPASS	
38	275-222	1	ENGINE STOP DECAL	

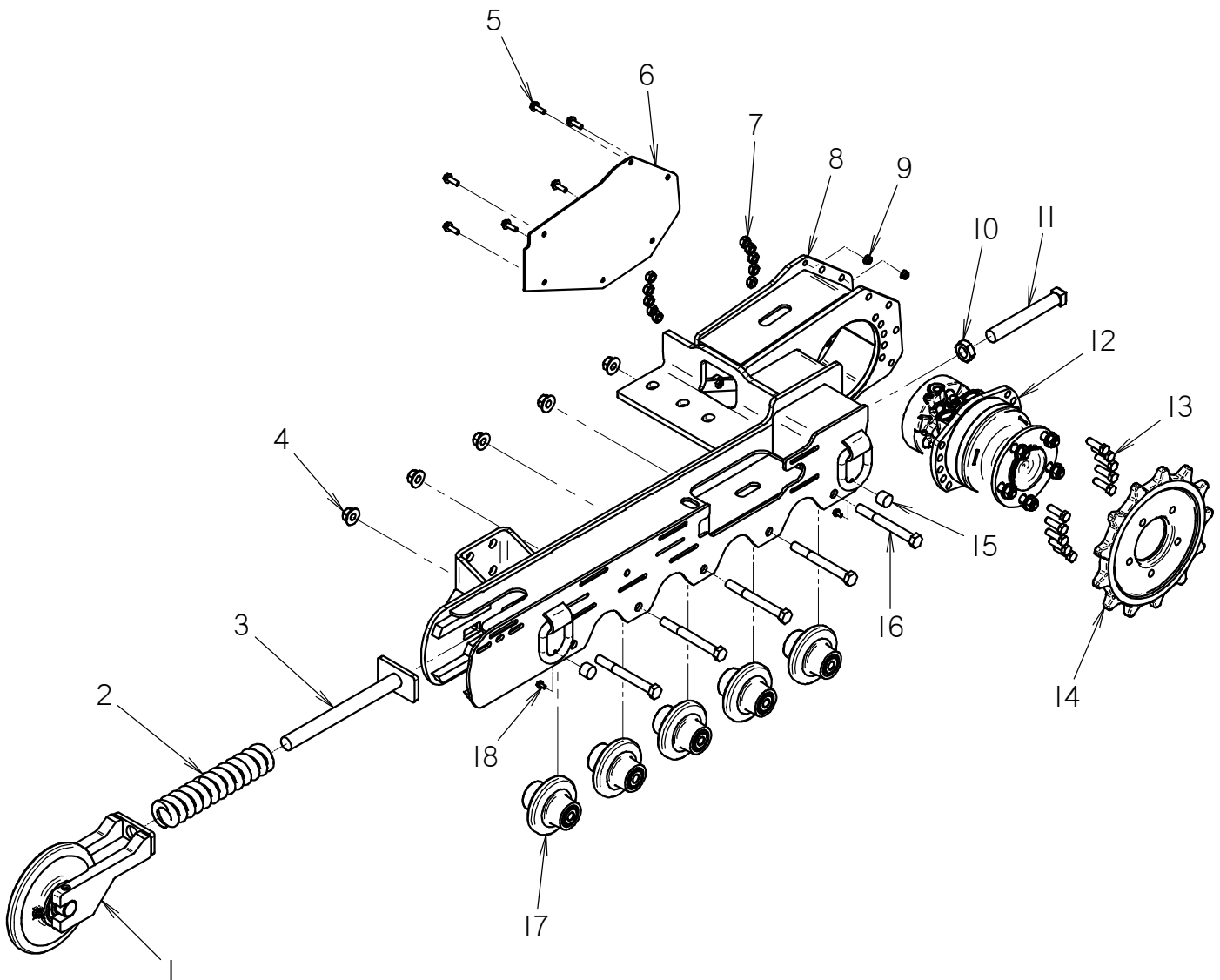
FOOTNOTES

1. NOT PART OF KIT.
2. PART OF EXTENSION LEG KIT 190-1254.

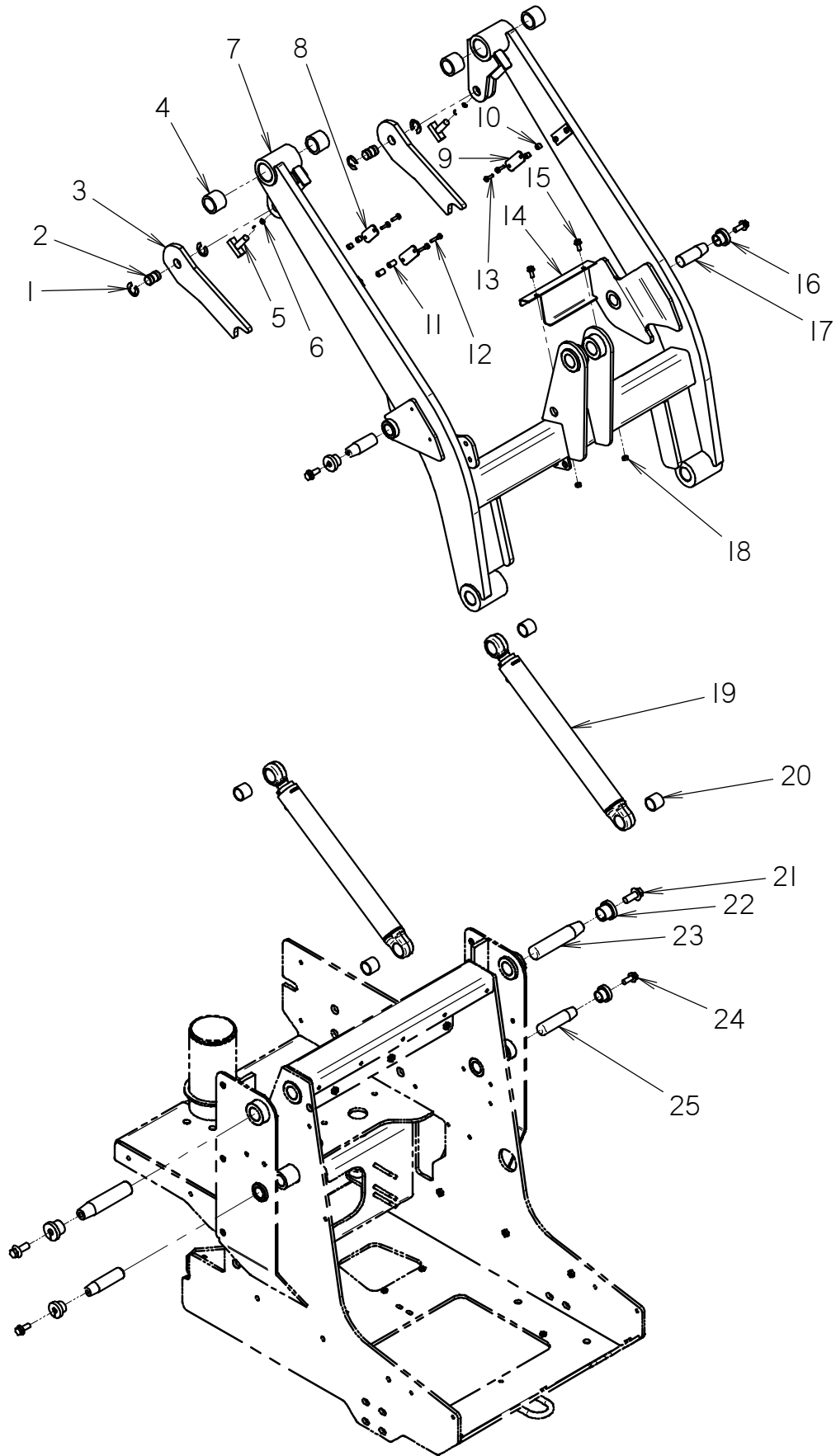
THROTTLE CABLE AND LINKAGE



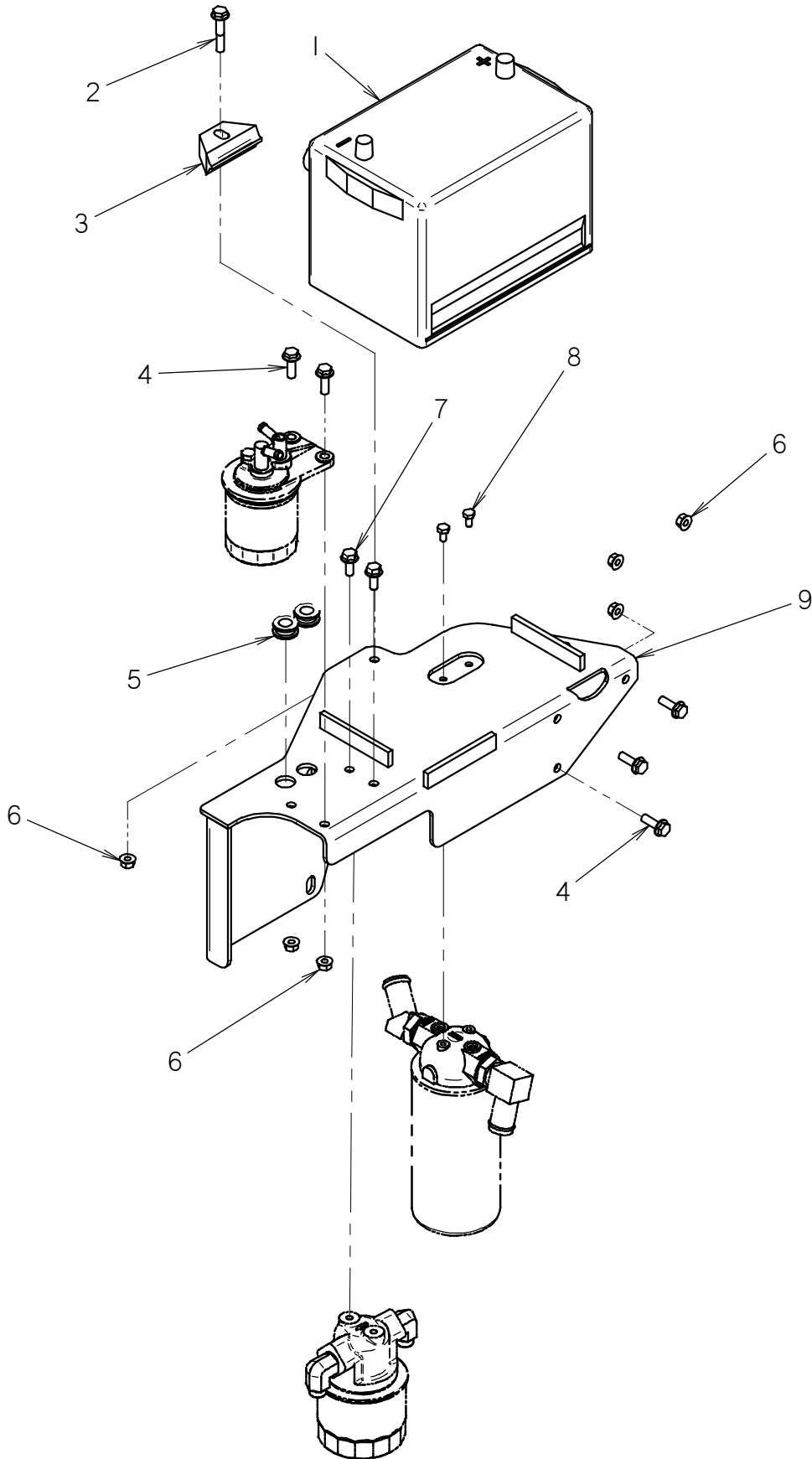
TRACK FRAME



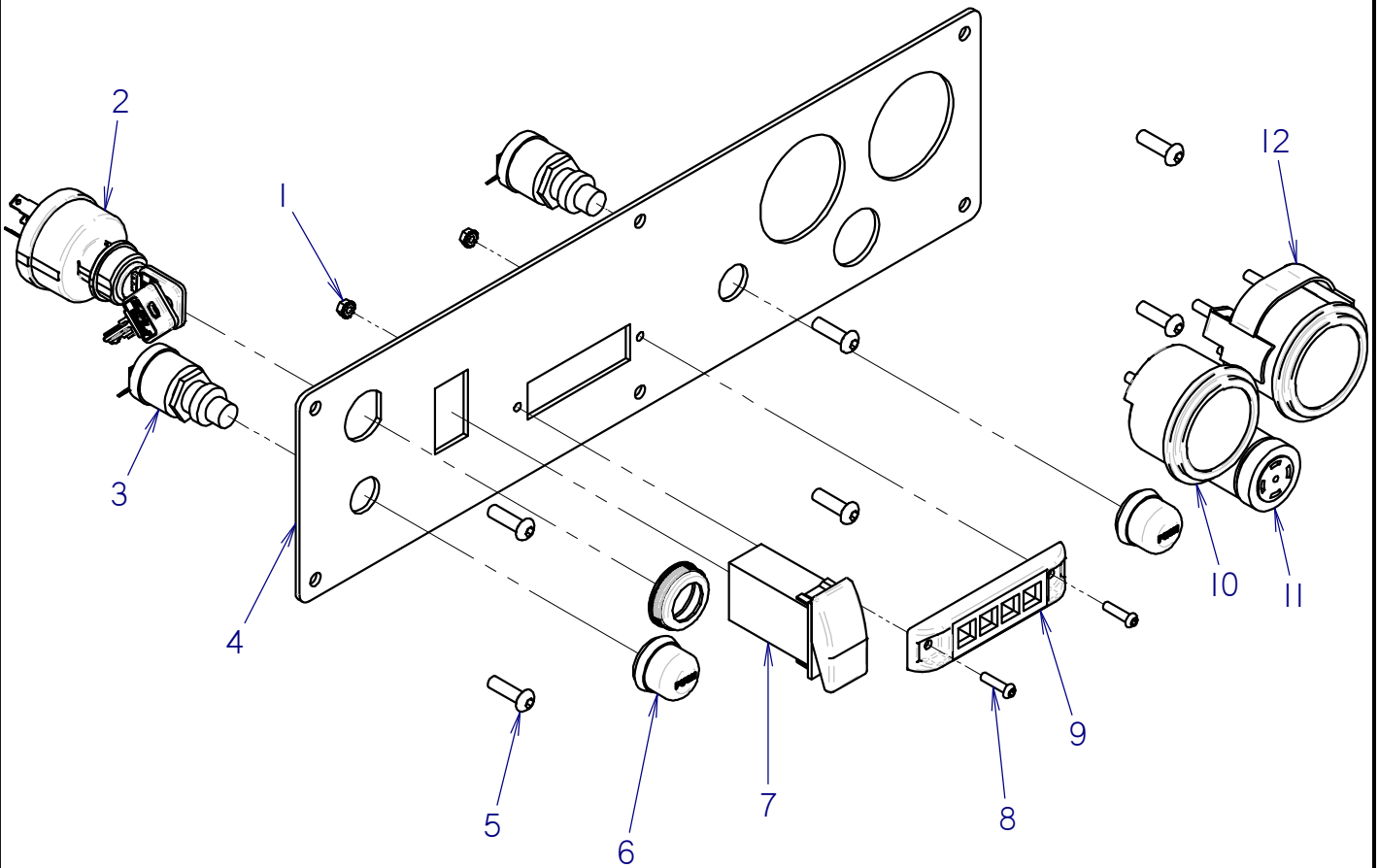
LIFT ARMS



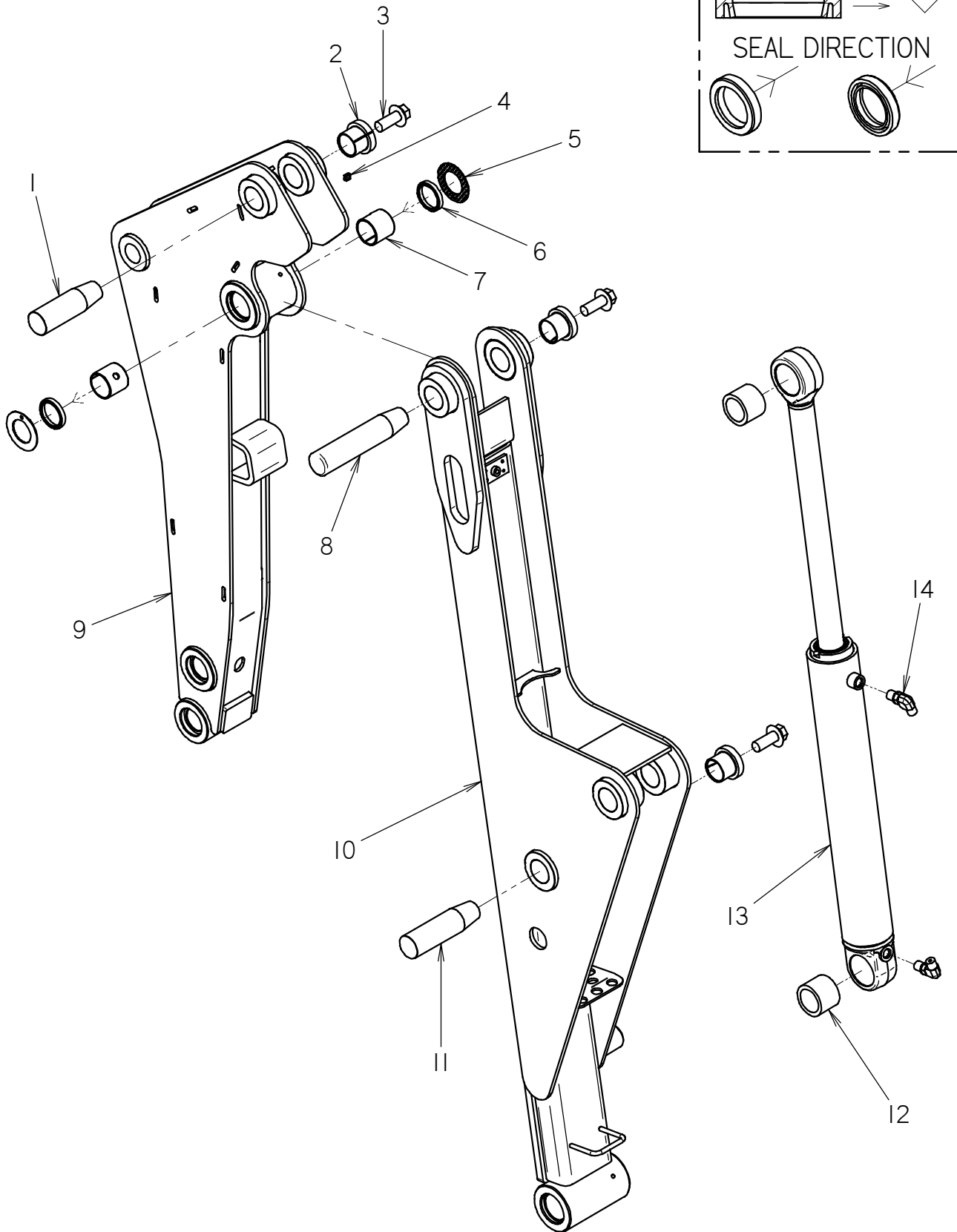
BATTERY MOUNT



CONTROL PANEL



BOOM AND DIPPER



CLICK HERE TO **DOWNLOAD** THE COMPLETE MANUAL

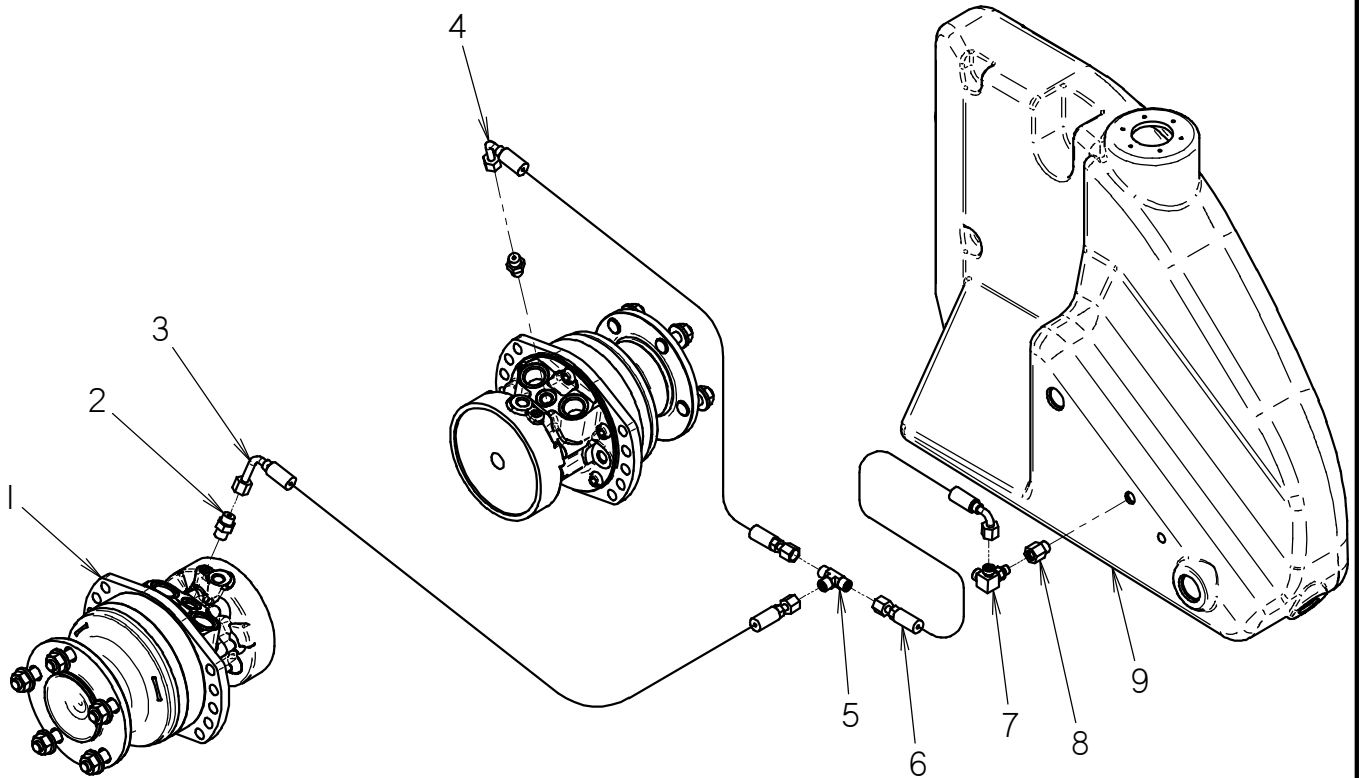
- Thank you very much for reading the preview of the manual.
- You can download the complete manual from: www.heydownloads.com by clicking the link below



- Please note: If there is no response to CLICKING the link, please download this PDF first and then click on it.

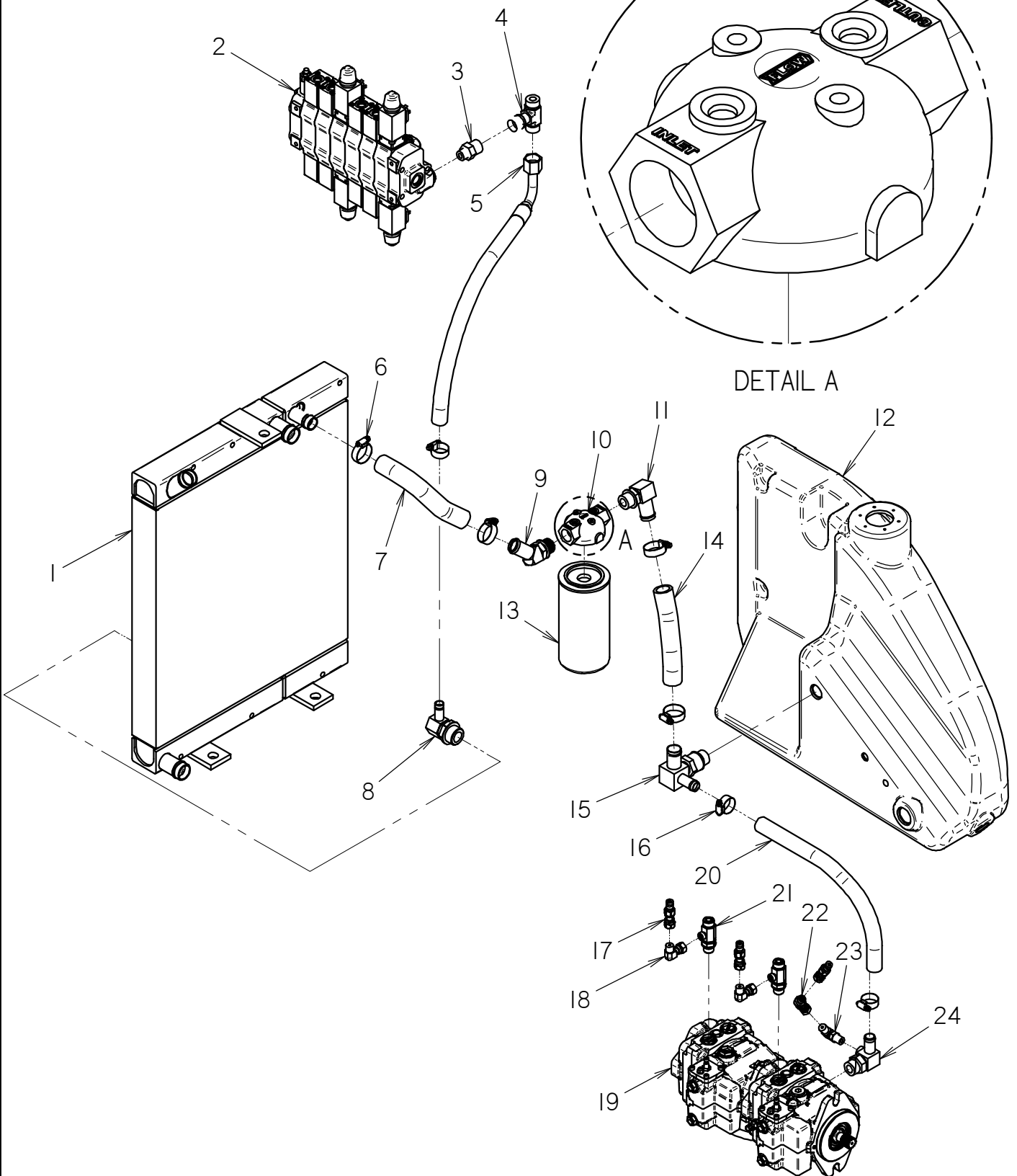
CLICK HERE TO **DOWNLOAD** THE COMPLETE MANUAL

GROUND DRIVE BRAKE VENT

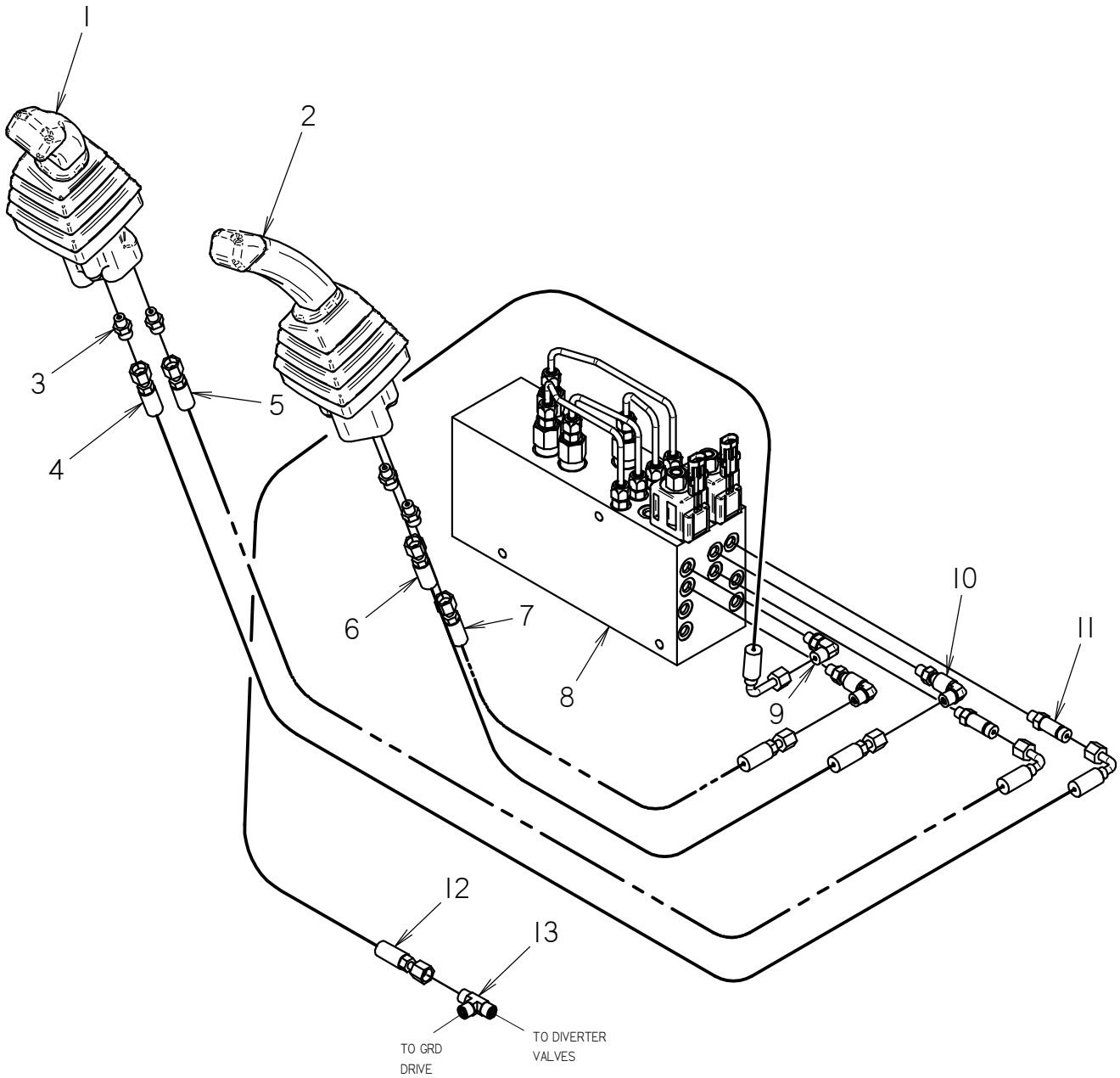


COOLER RETURN HYDRAULICS

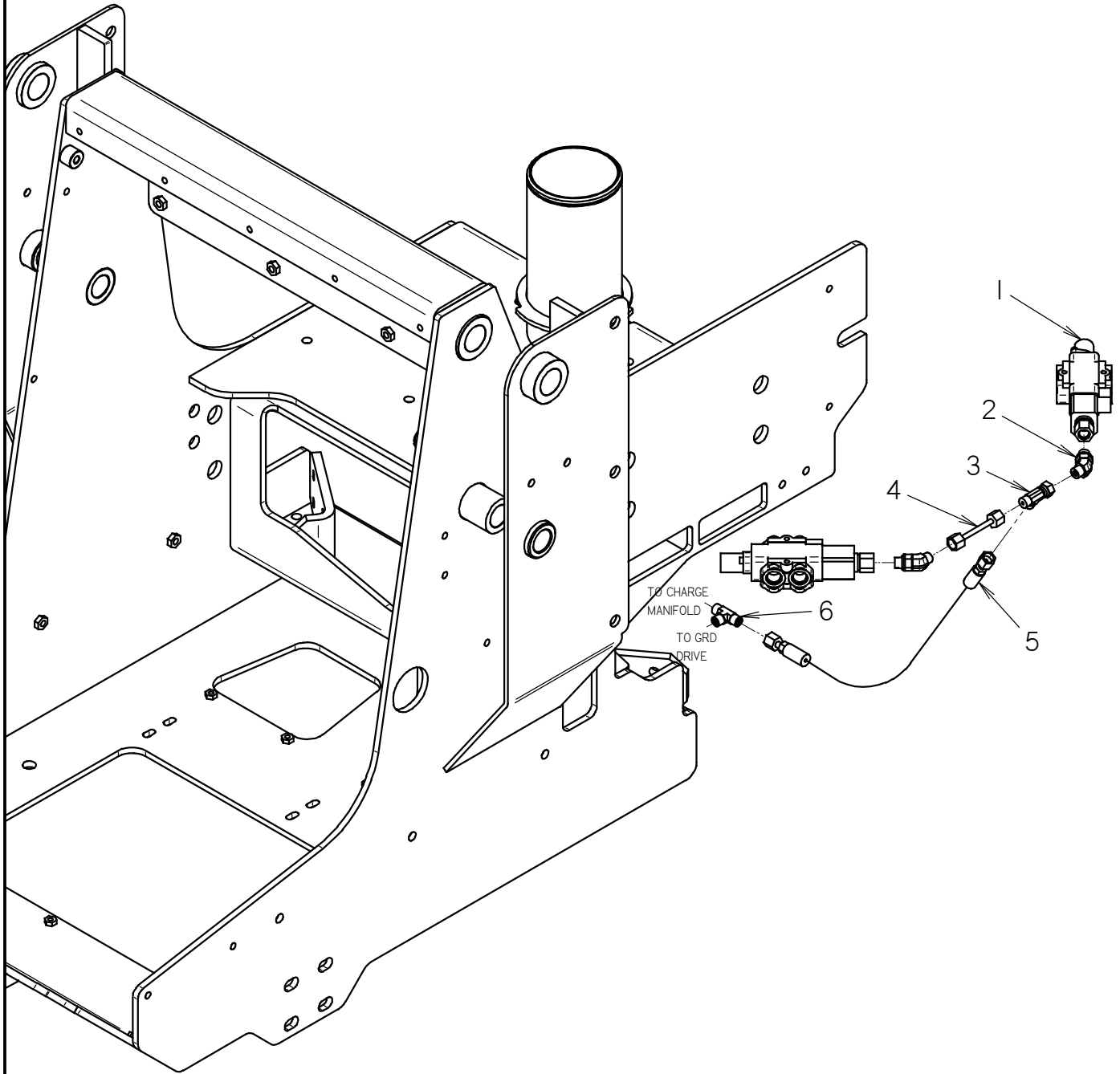
BEGINS WITH S/N: CMWXT855AD0000225



PILOT PRESSURE HYDRAULICS

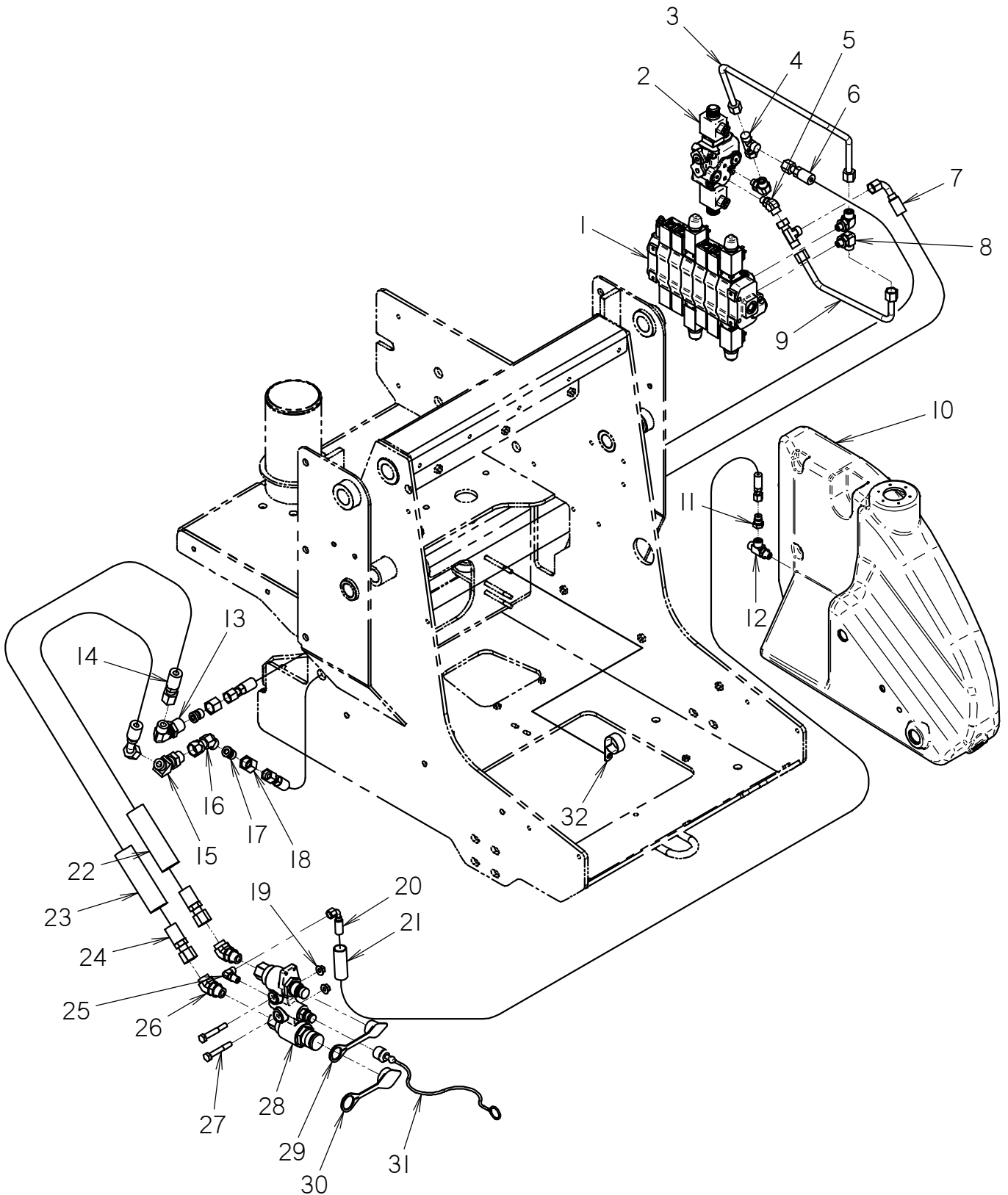


DIVERTER PILOT HYDRAULICS

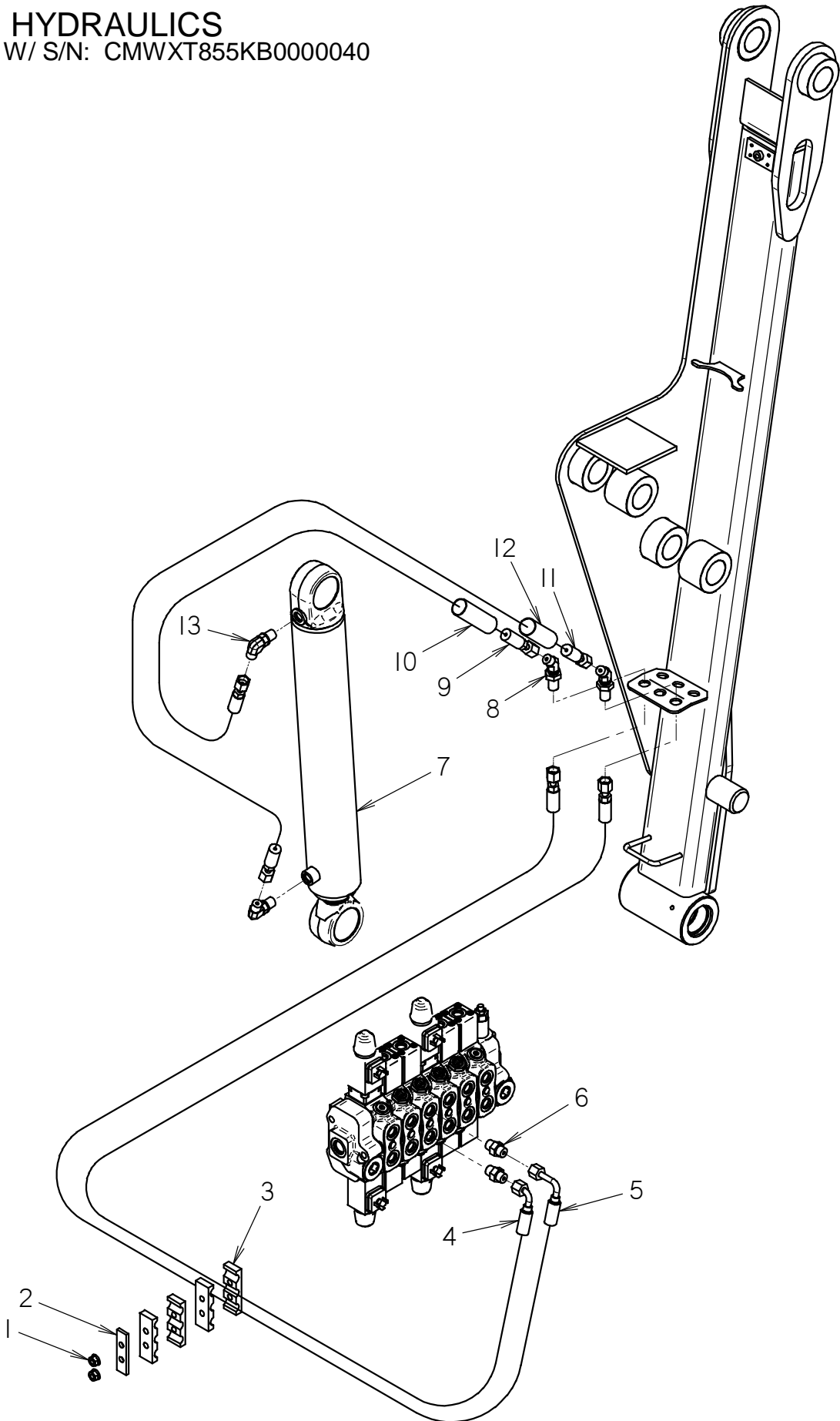


LOADER AUXILIARY HYDRAULICS

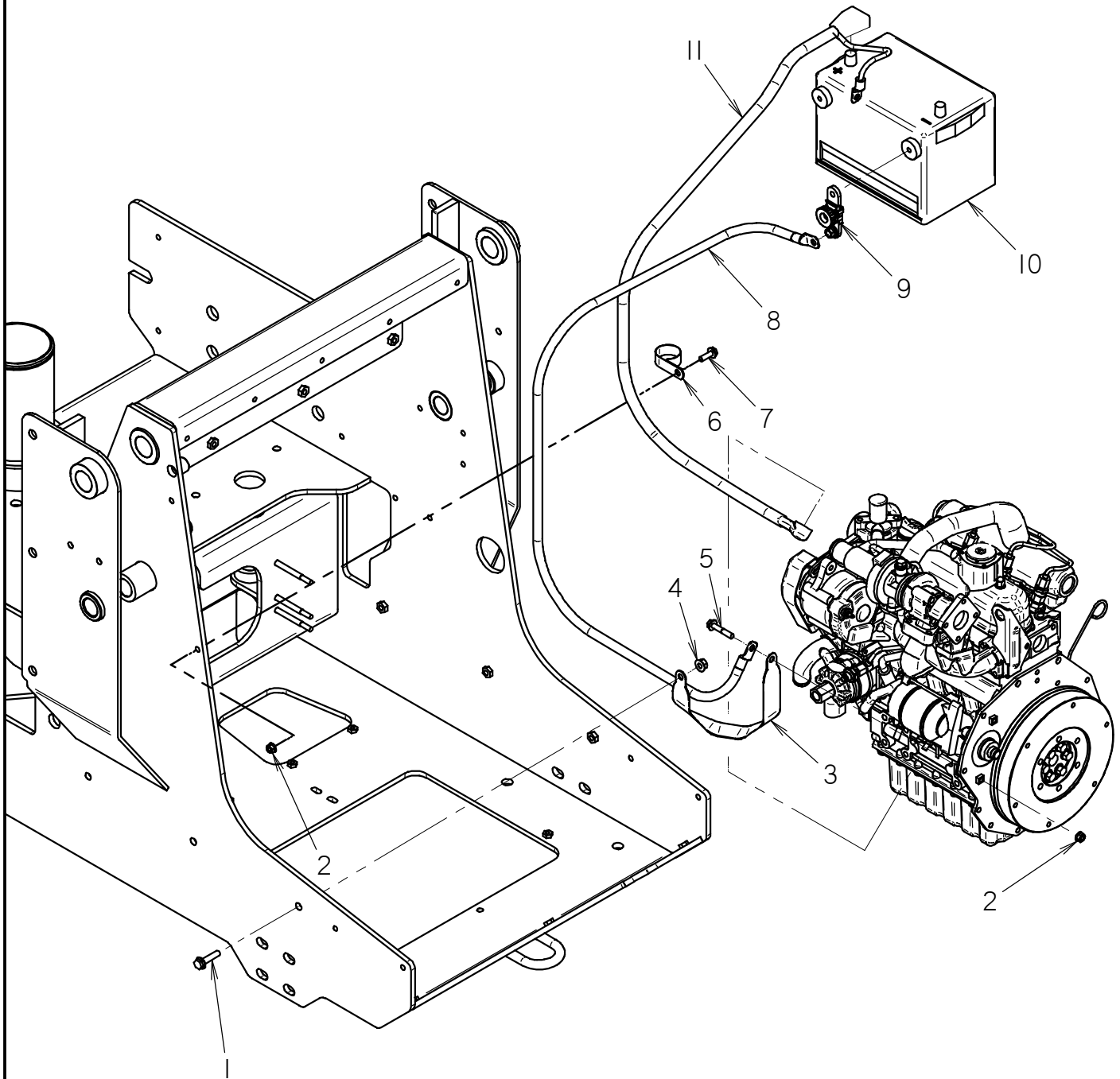
ENDS WITH S/N: CMWXT855 _____



BOOM HYDRAULICS
BEGINS W/ S/N: CMWXT855KB0000040



BATTERY CABLES



CLICK HERE TO **DOWNLOAD** THE COMPLETE MANUAL

- Thank you very much for reading the preview of the manual.
- You can download the complete manual from: www.heydownloads.com by clicking the link below



- Please note: If there is no response to CLICKING the link, please download this PDF first and then click on it.

CLICK HERE TO **DOWNLOAD** THE COMPLETE MANUAL