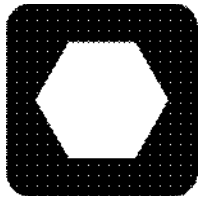


# SK650

## Parts Manual



CLICK HERE TO **DOWNLOAD** THE COMPLETE MANUAL

- Thank you very much for reading the preview of the manual.
- You can download the complete manual from: [www.heydownloads.com](http://www.heydownloads.com) by clicking the link below

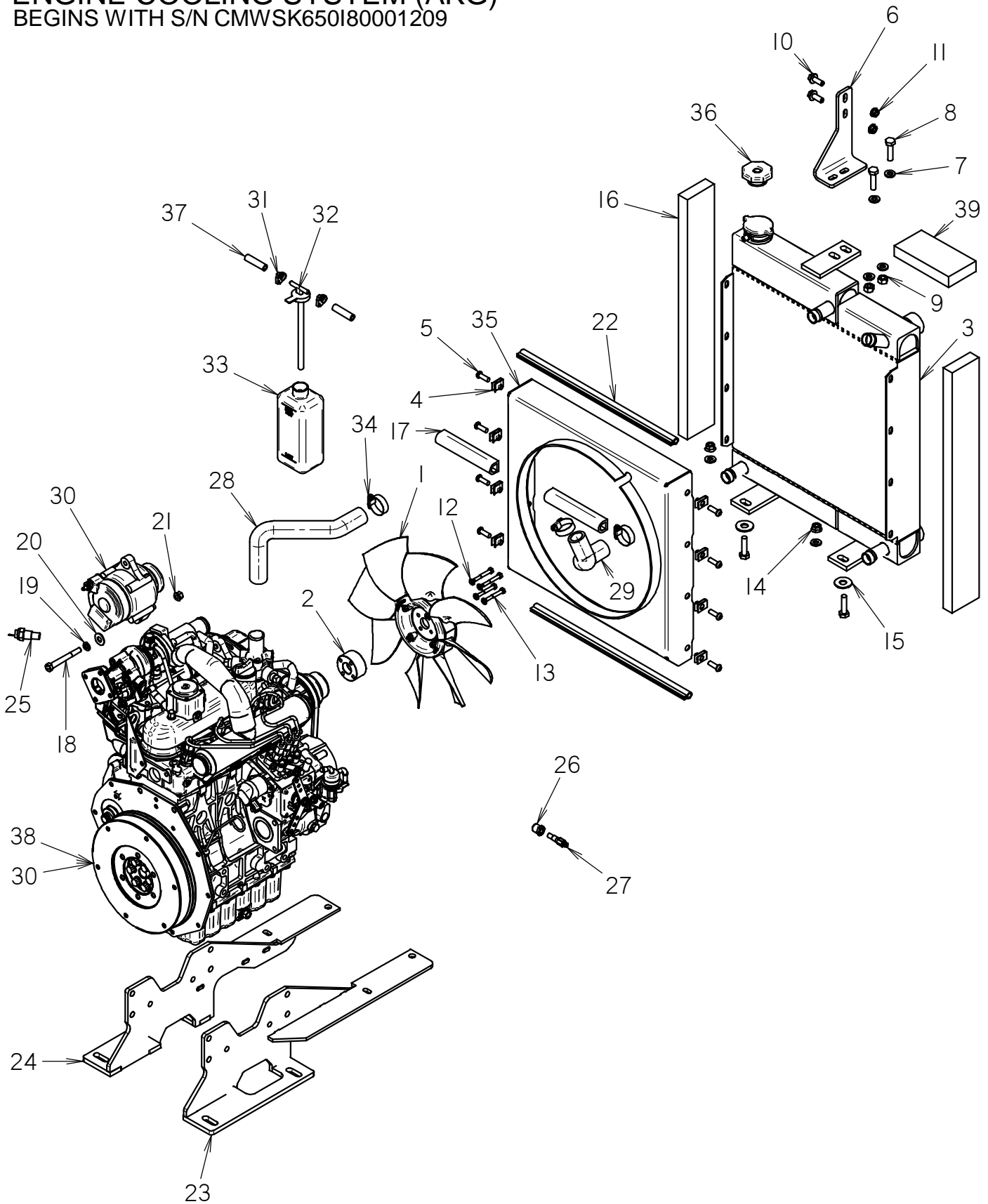


- Please note: If there is no response to CLICKING the link, please download this PDF first and then click on it.

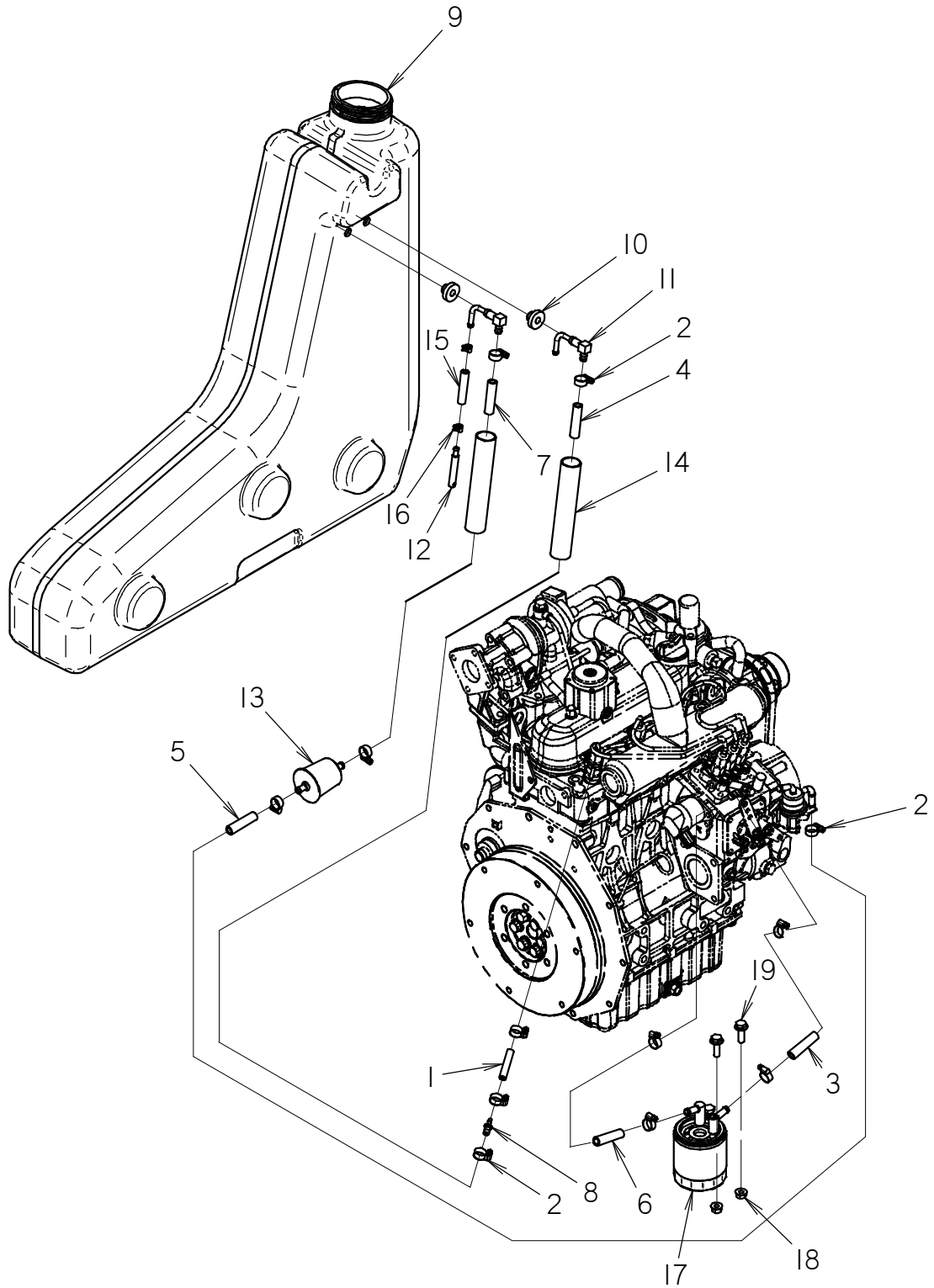
CLICK HERE TO **DOWNLOAD** THE COMPLETE MANUAL



# ENGINE COOLING SYSTEM (AKG) BEGINS WITH S/N CMWSK650180001209

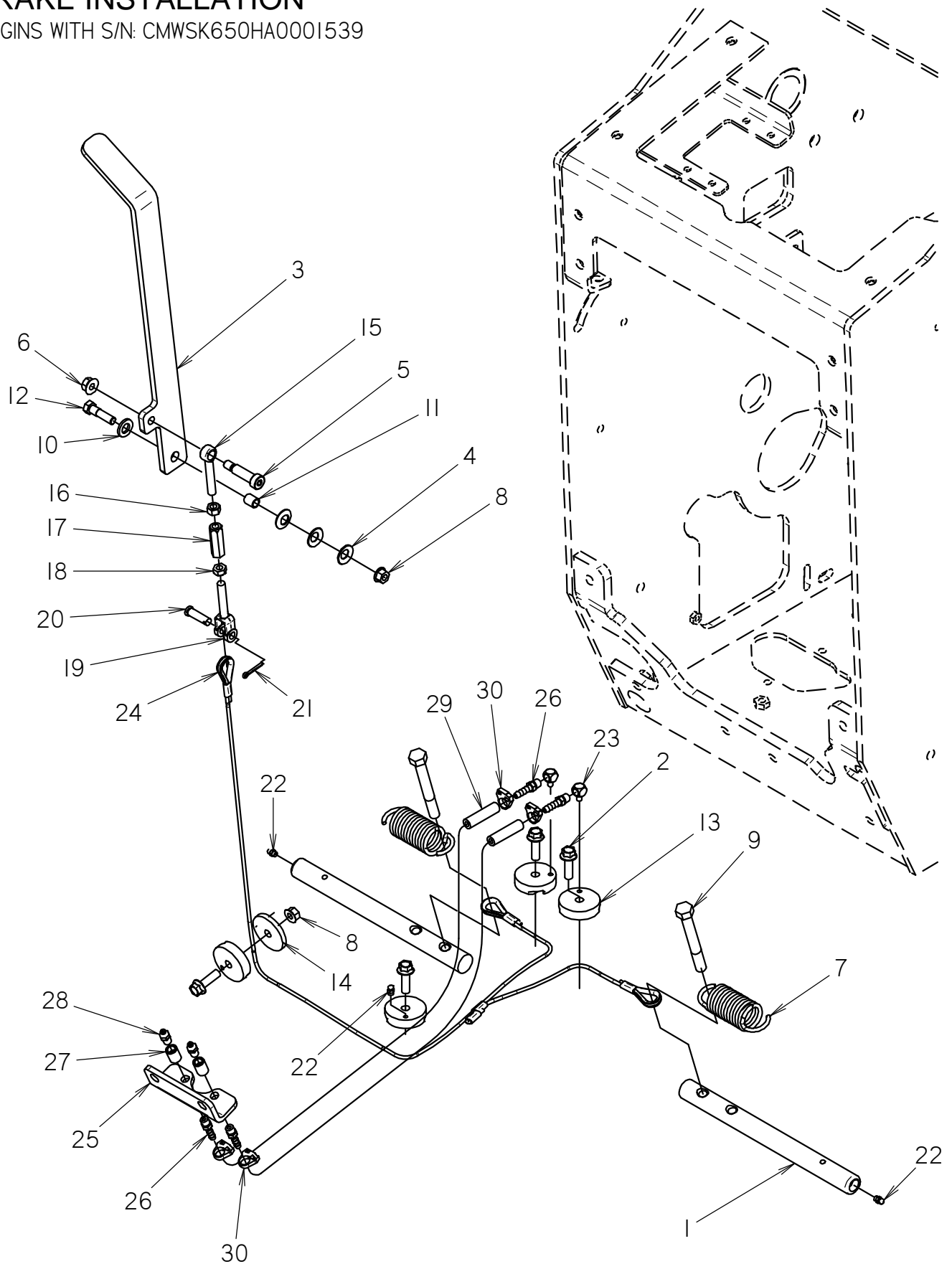


# FUEL LINES

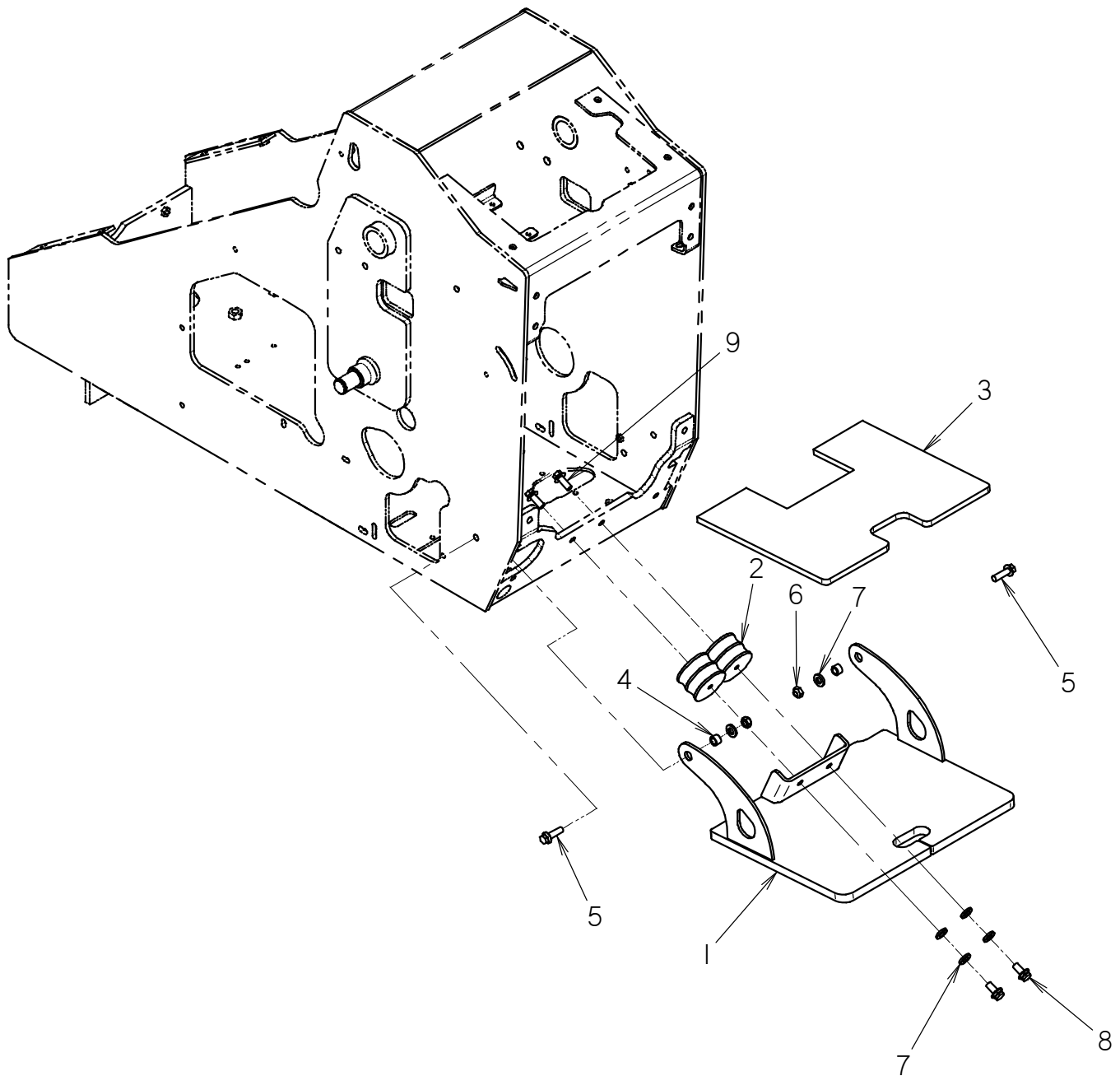


# BRAKE INSTALLATION

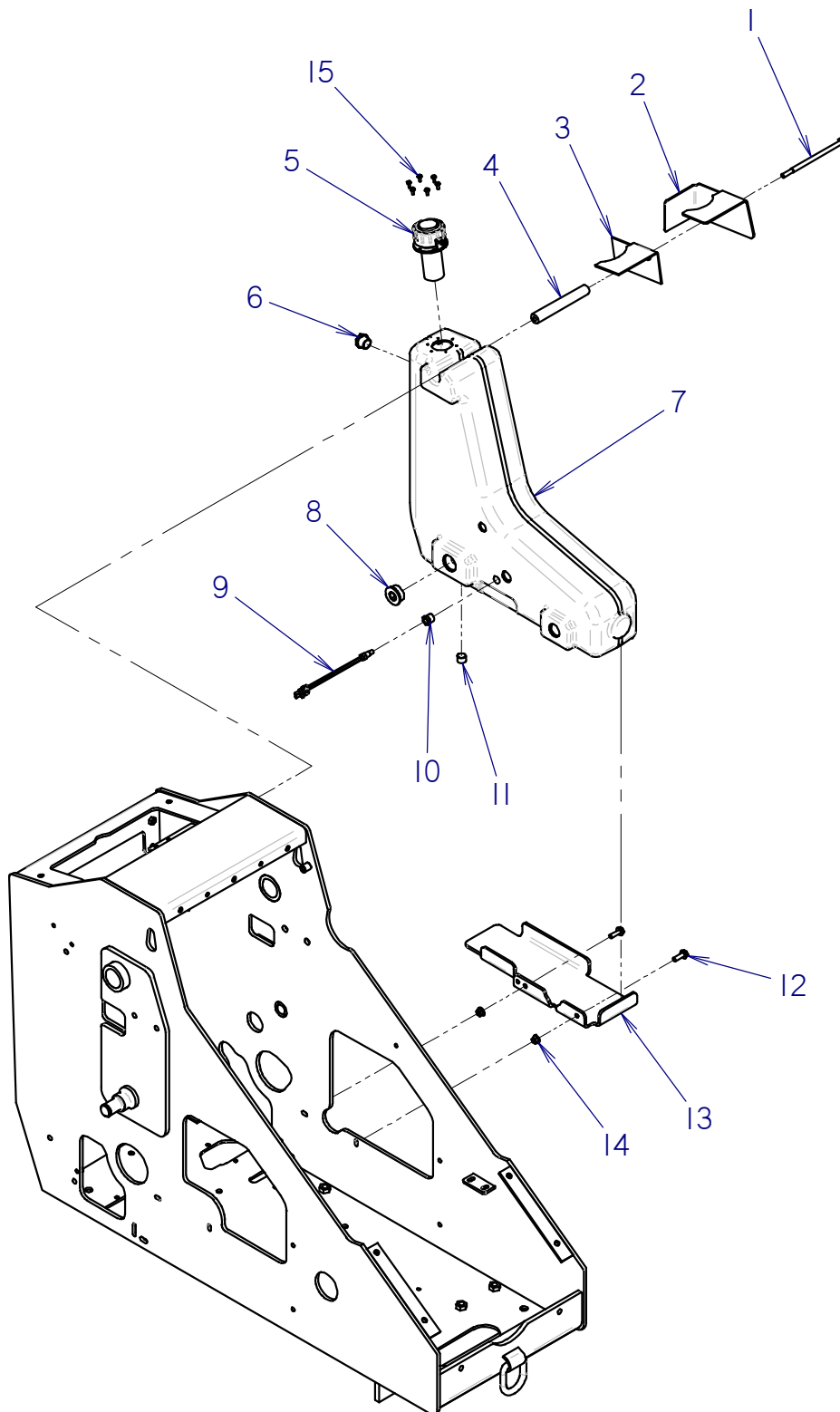
BEGINS WITH S/N: CMWSK650HA0001539



## PLATFORM



## HYDRAULIC TANK INSTALLATION



CLICK HERE TO **DOWNLOAD** THE COMPLETE MANUAL

- Thank you very much for reading the preview of the manual.
- You can download the complete manual from: [www.heydownloads.com](http://www.heydownloads.com) by clicking the link below

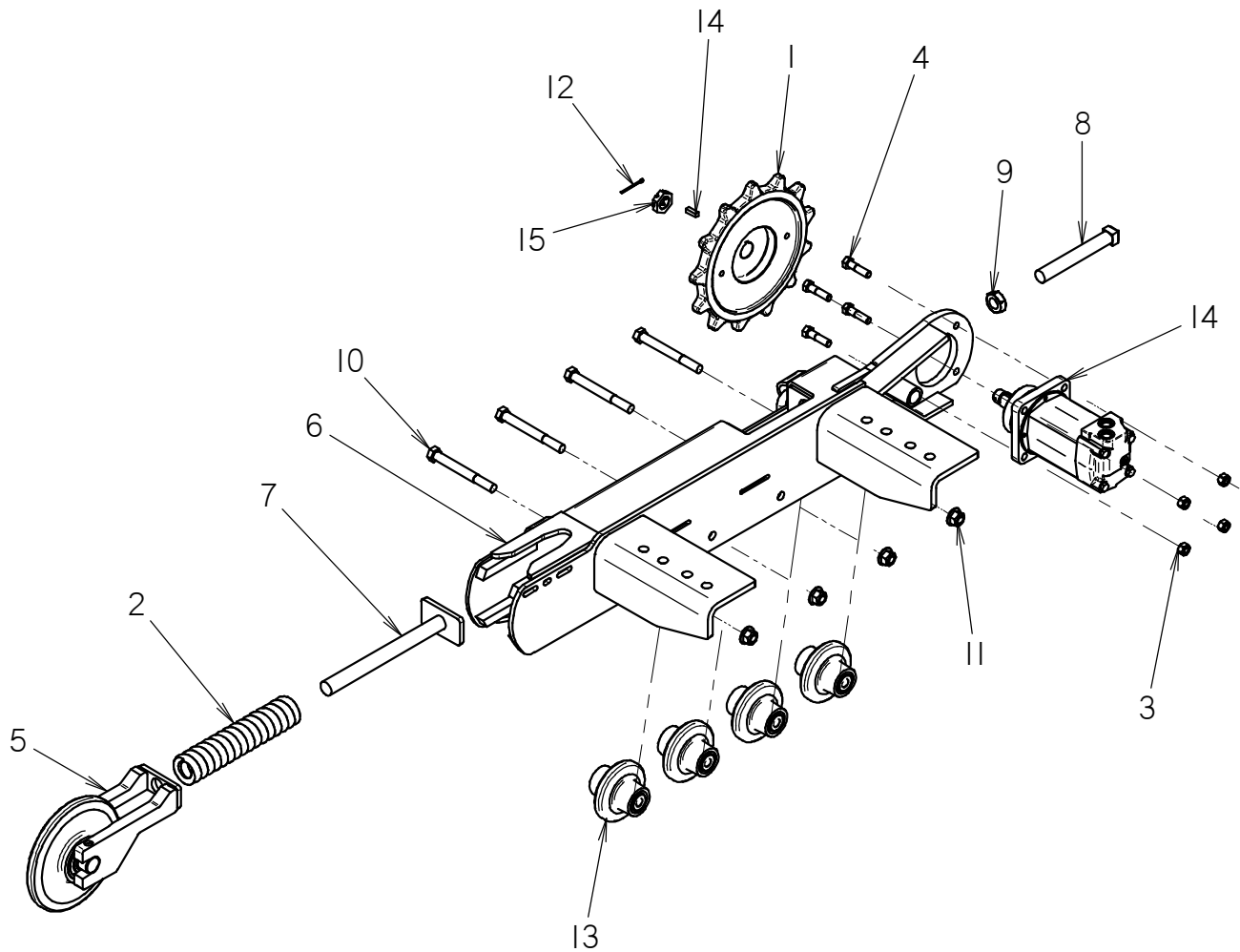


- Please note: If there is no response to CLICKING the link, please download this PDF first and then click on it.

CLICK HERE TO **DOWNLOAD** THE COMPLETE MANUAL

# RIGHT TRACK ASSEMBLY

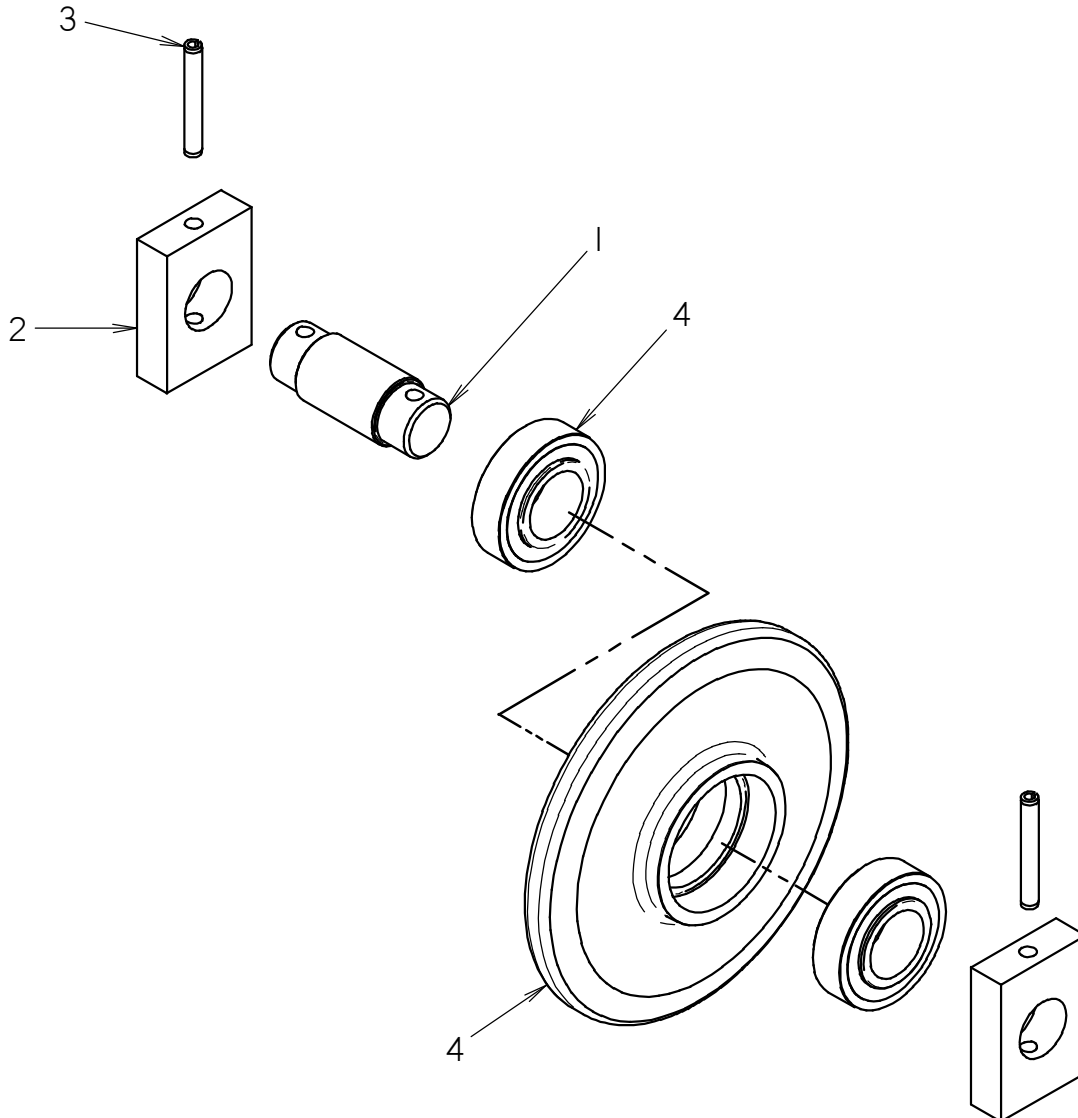
BEGINS WITH S/N: CMWSK650H90001357



**FRONT IDLER**

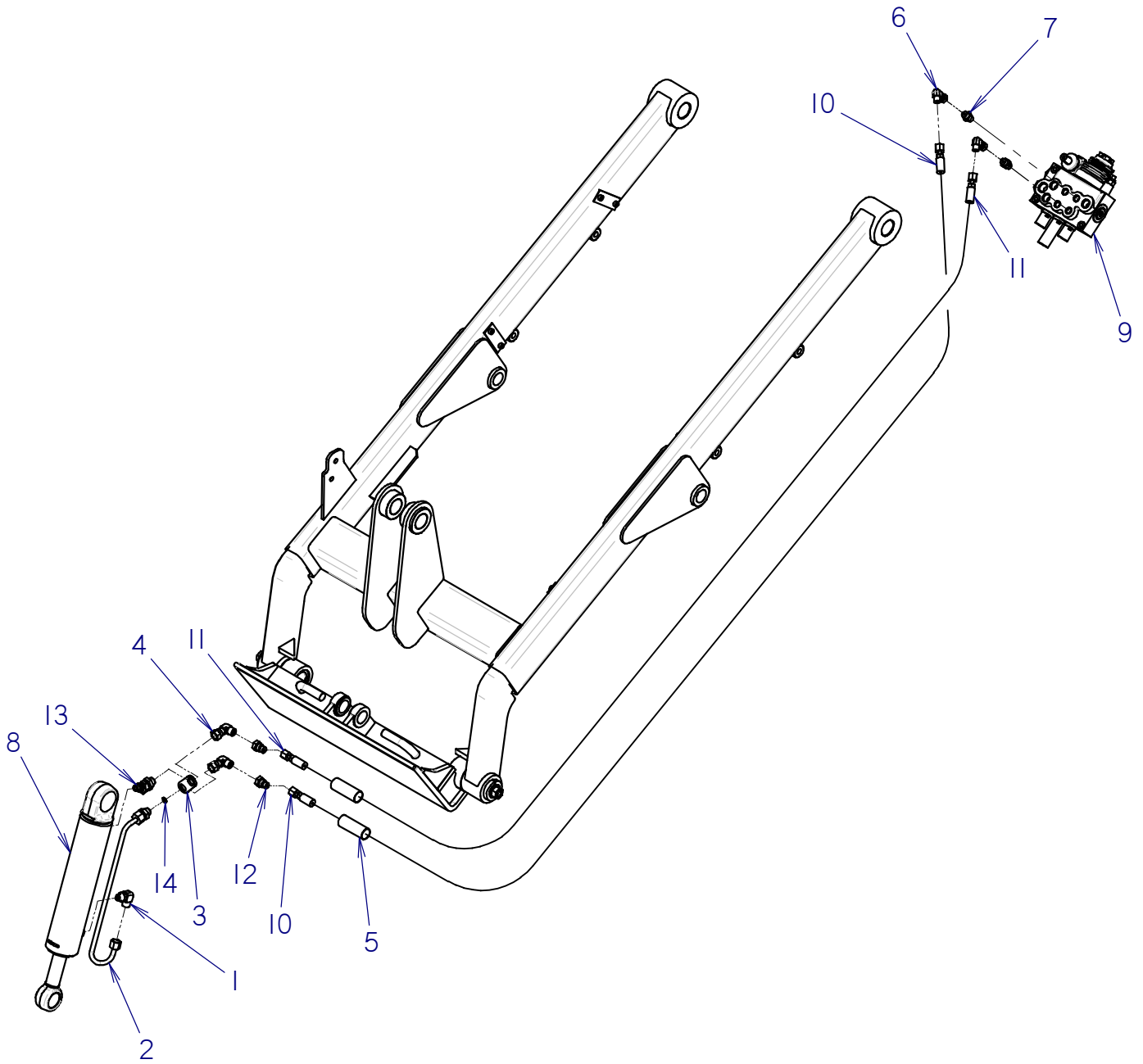
BEGINS WITH S/N: CMWSK350V70000601  
BEGINS WITH S/N: CMWSK500H70000255  
BEGINS WITH S/N: CMWSK650L70000428  
BEGINS WITH S/N: CMWXT850T60000126

ENDS WITH S/N: CMWSK350C70000618  
ENDS WITH S/N: CMWSK500A70000267  
ENDS WITH S/N: CMWSK650V70000542  
ENDS WITH S/N: CMWXT850P70000145

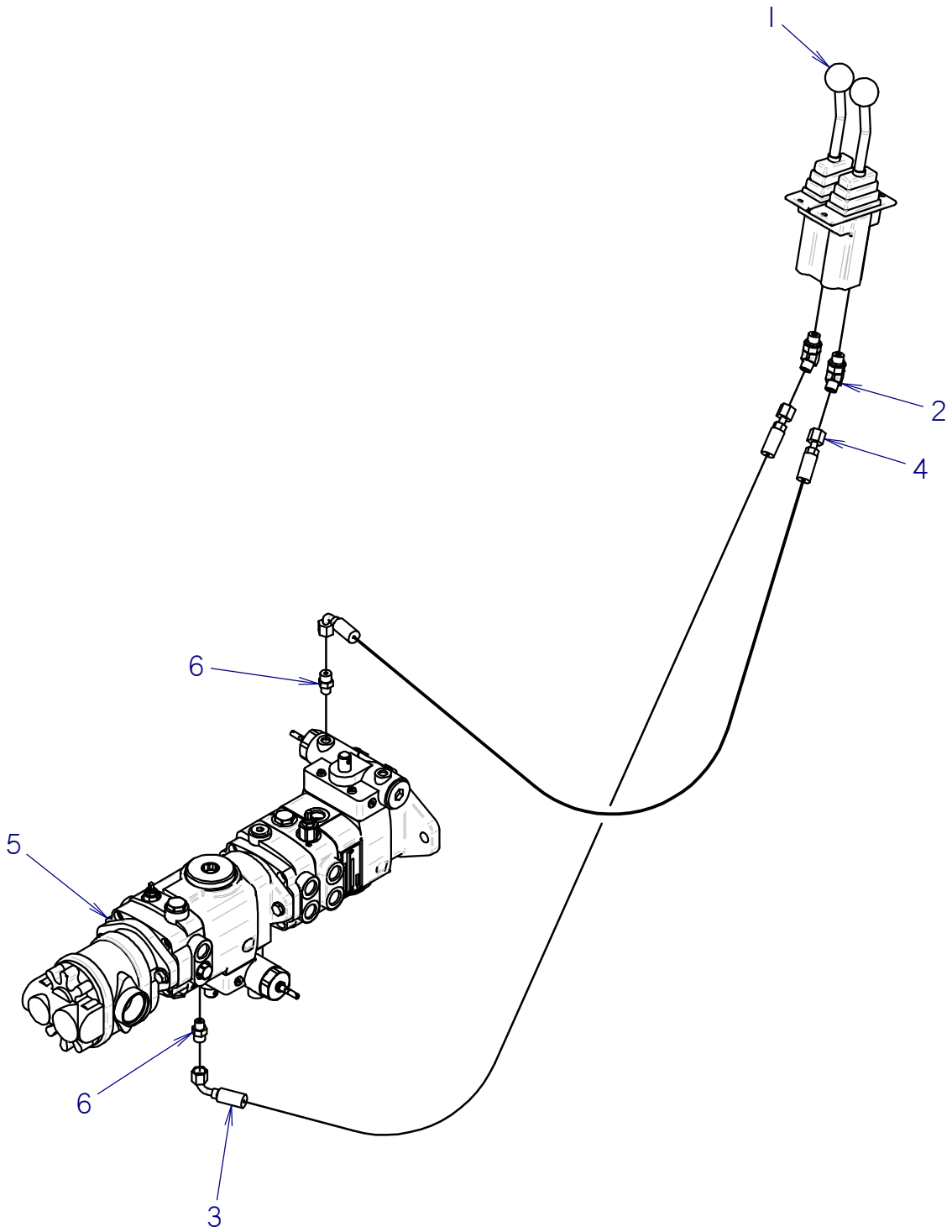




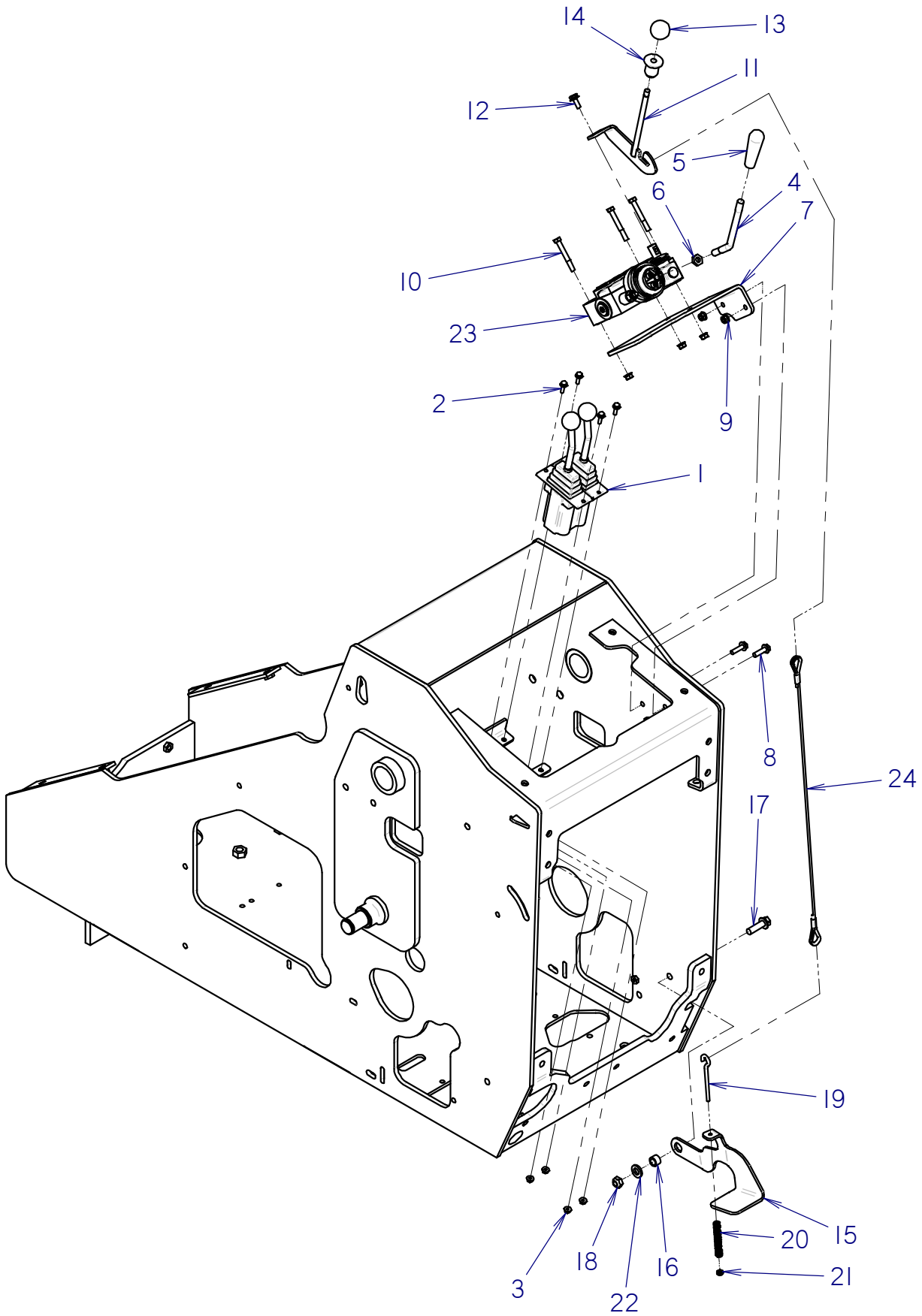
# TILT CYLINDER HYDRAULICS



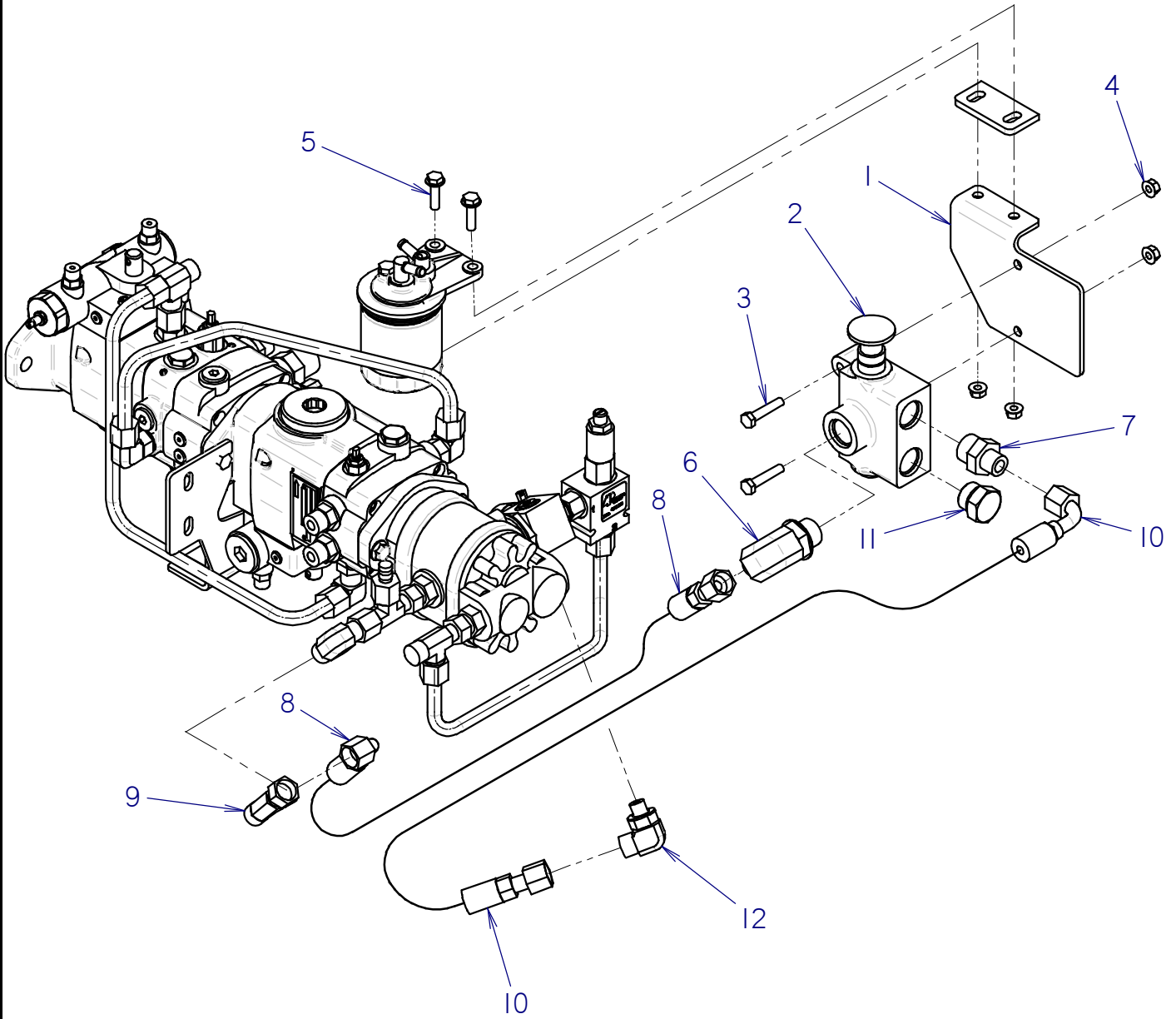
# REVERSE PILOT HYDRAULICS



# HYDRAULIC COMPONENT MOUNTING



# COLD START BYPASS INSTALLATION



CLICK HERE TO **DOWNLOAD** THE COMPLETE MANUAL

- Thank you very much for reading the preview of the manual.
- You can download the complete manual from: [www.heydownloads.com](http://www.heydownloads.com) by clicking the link below



- Please note: If there is no response to CLICKING the link, please download this PDF first and then click on it.

CLICK HERE TO **DOWNLOAD** THE COMPLETE MANUAL