

SK1050

Yanmar® 3TNV88C

Parts Manual



CLICK HERE TO **DOWNLOAD** THE COMPLETE MANUAL

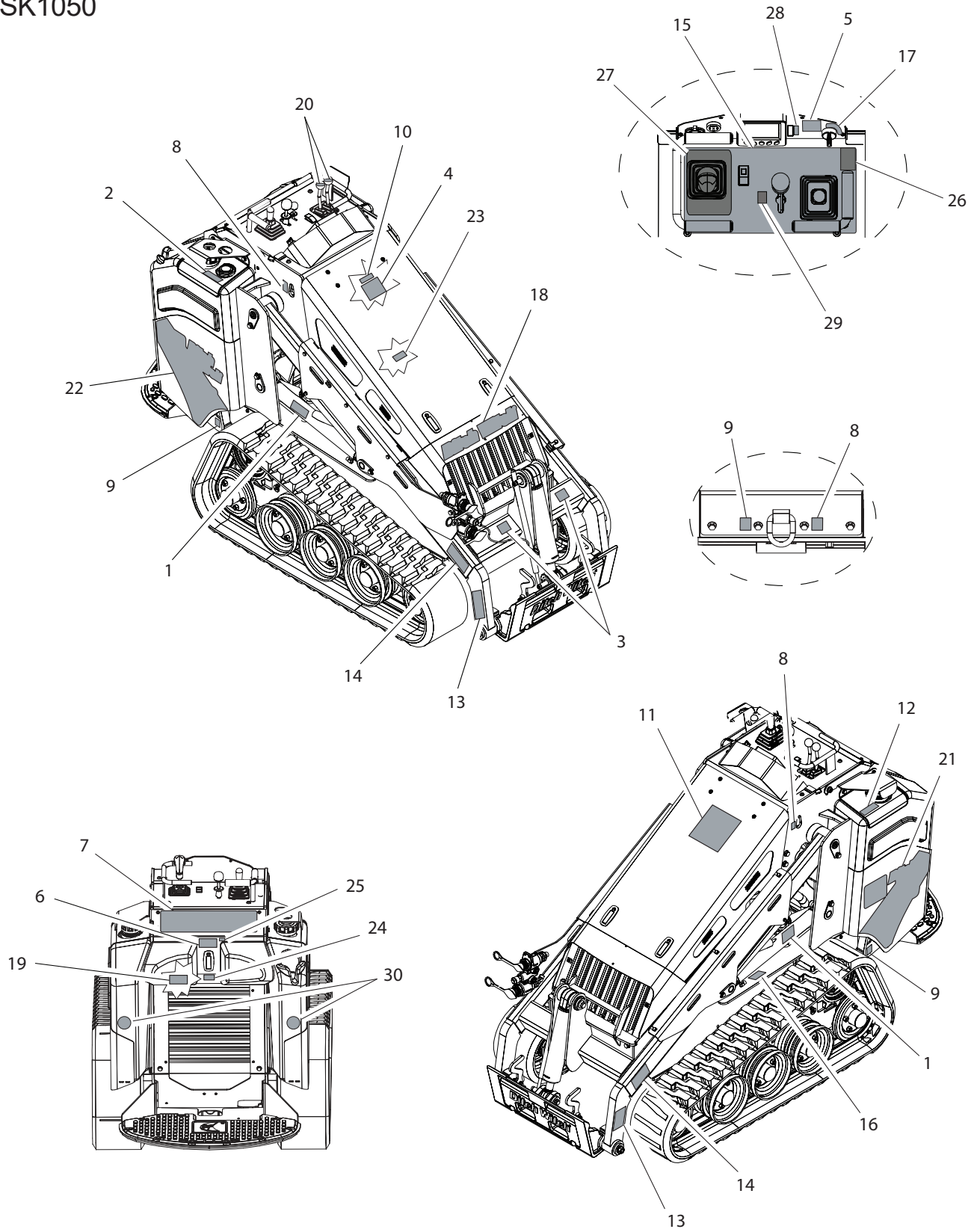
- Thank you very much for reading the preview of the manual.
- You can download the complete manual from: www.heydownloads.com by clicking the link below



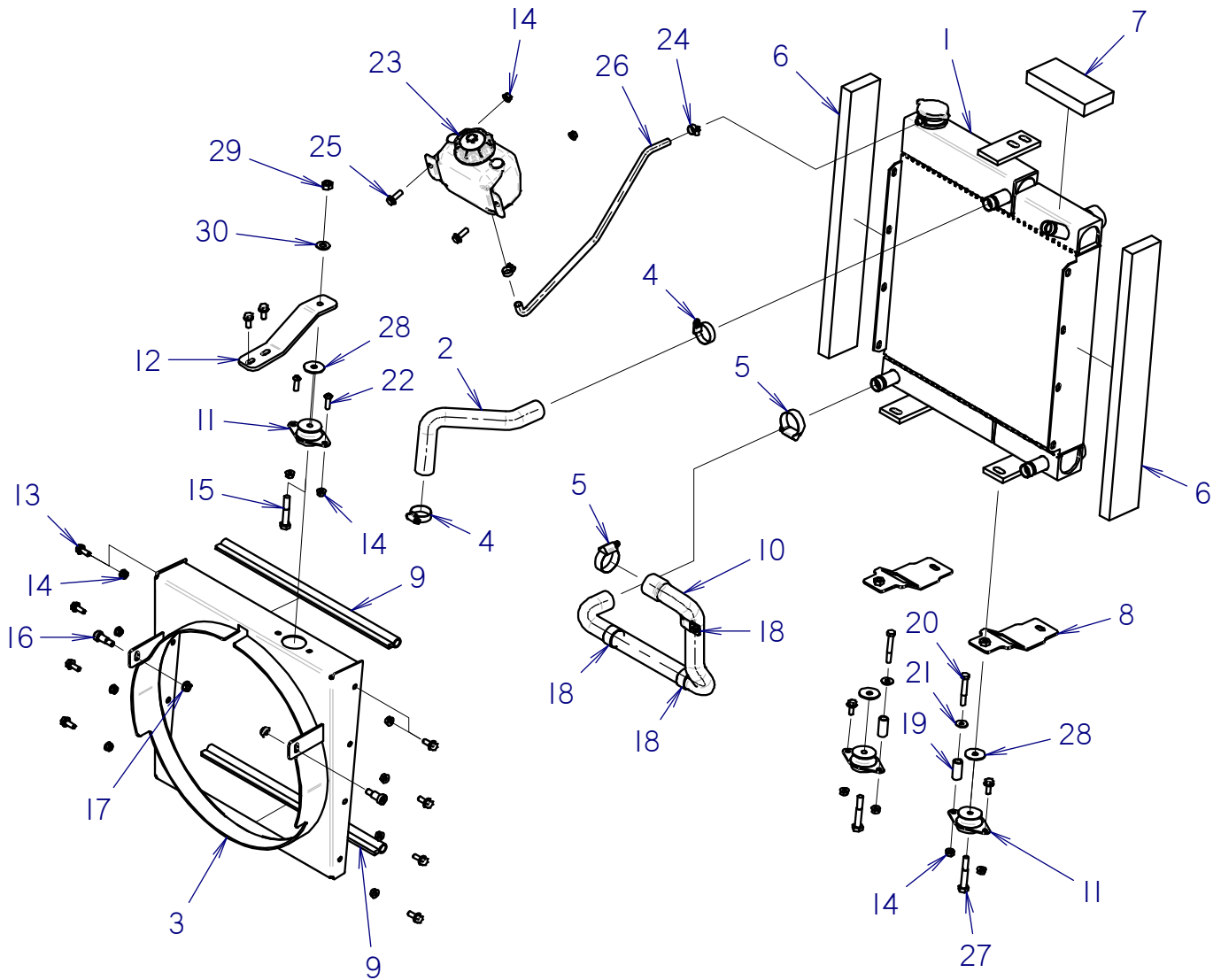
- Please note: If there is no response to CLICKING the link, please download this PDF first and then click on it.

CLICK HERE TO **DOWNLOAD** THE COMPLETE MANUAL

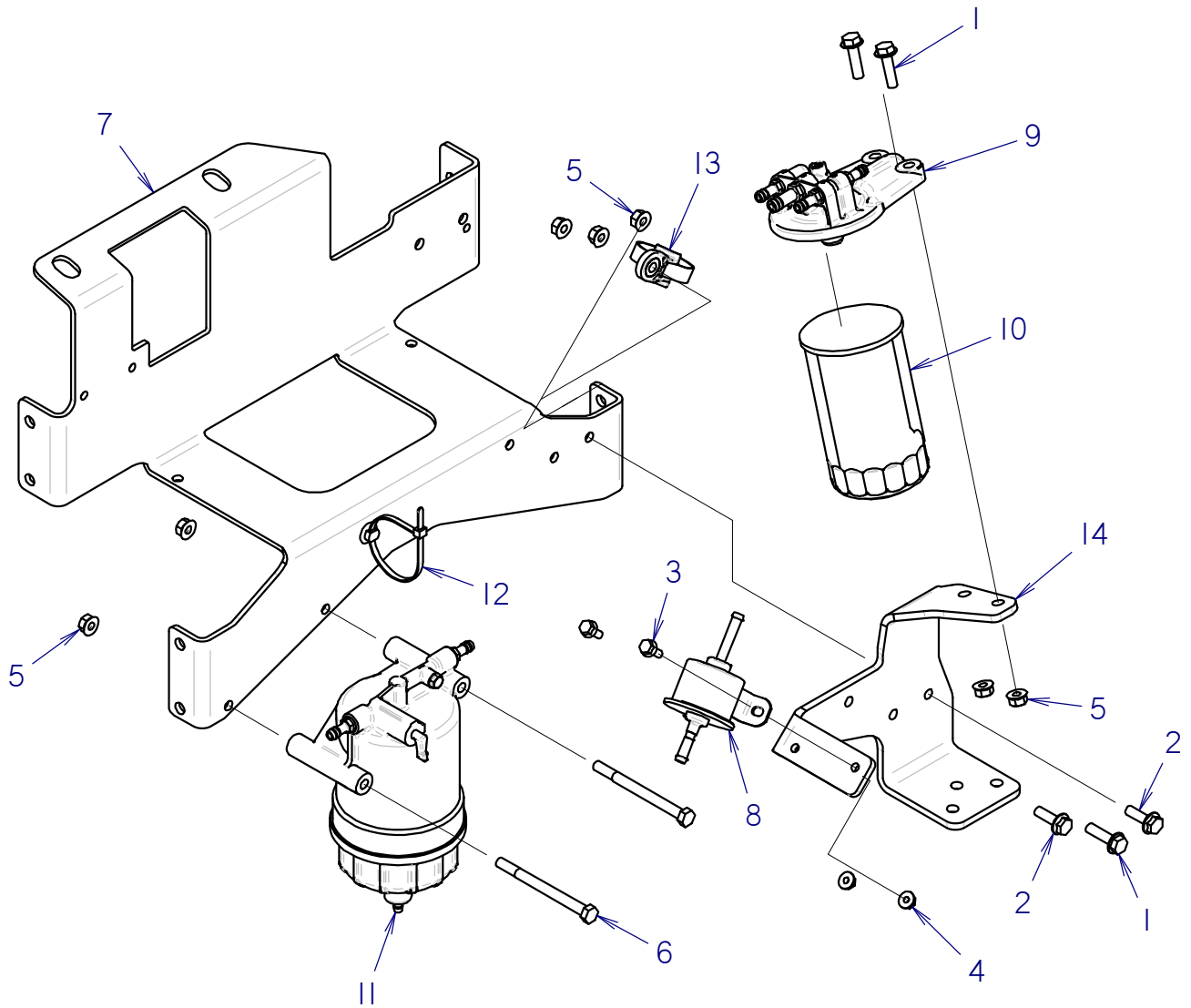
DECAL LOCATION SK1050



ENGINE COOLING SYSTEM

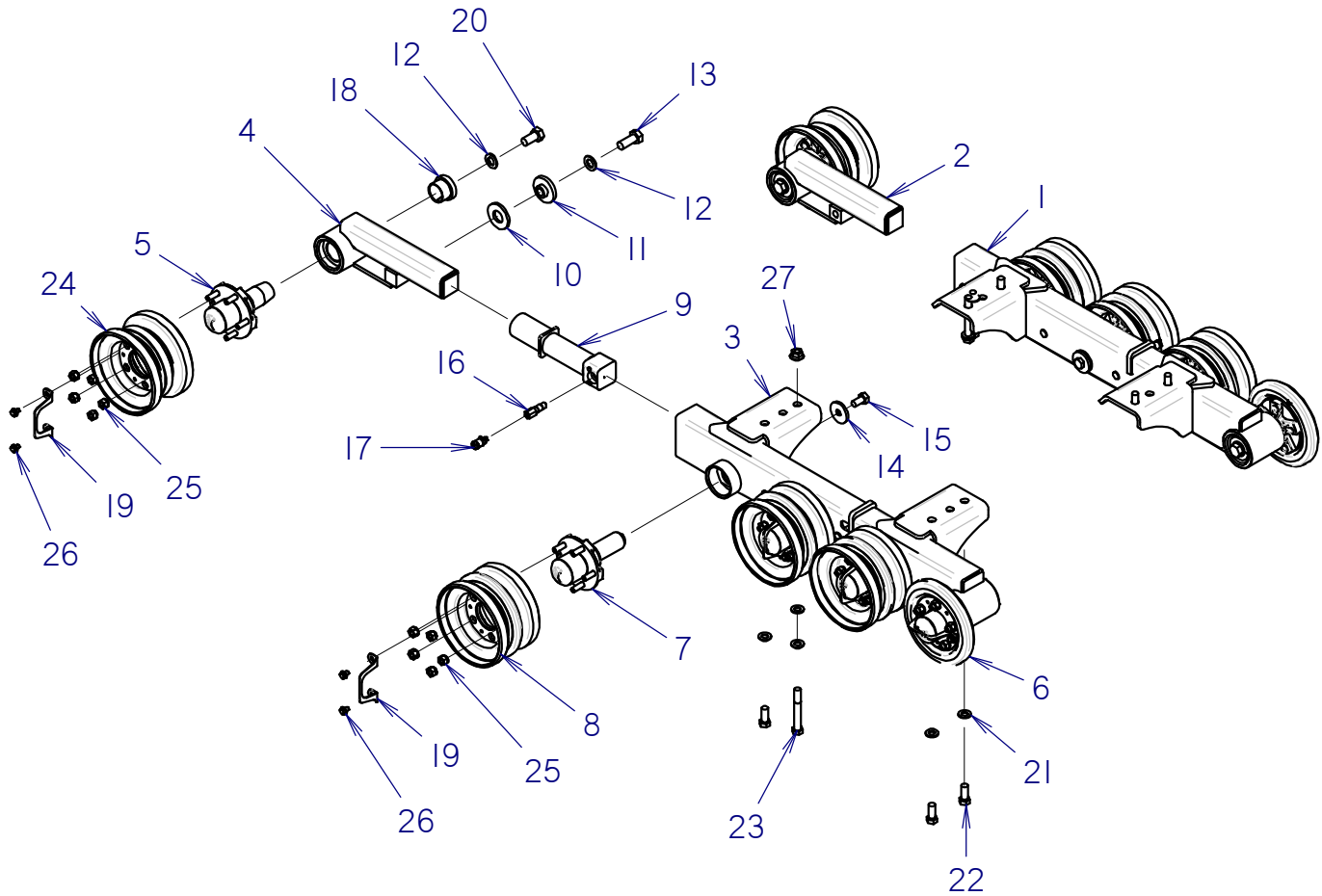


FUEL SYSTEM MOUNTING



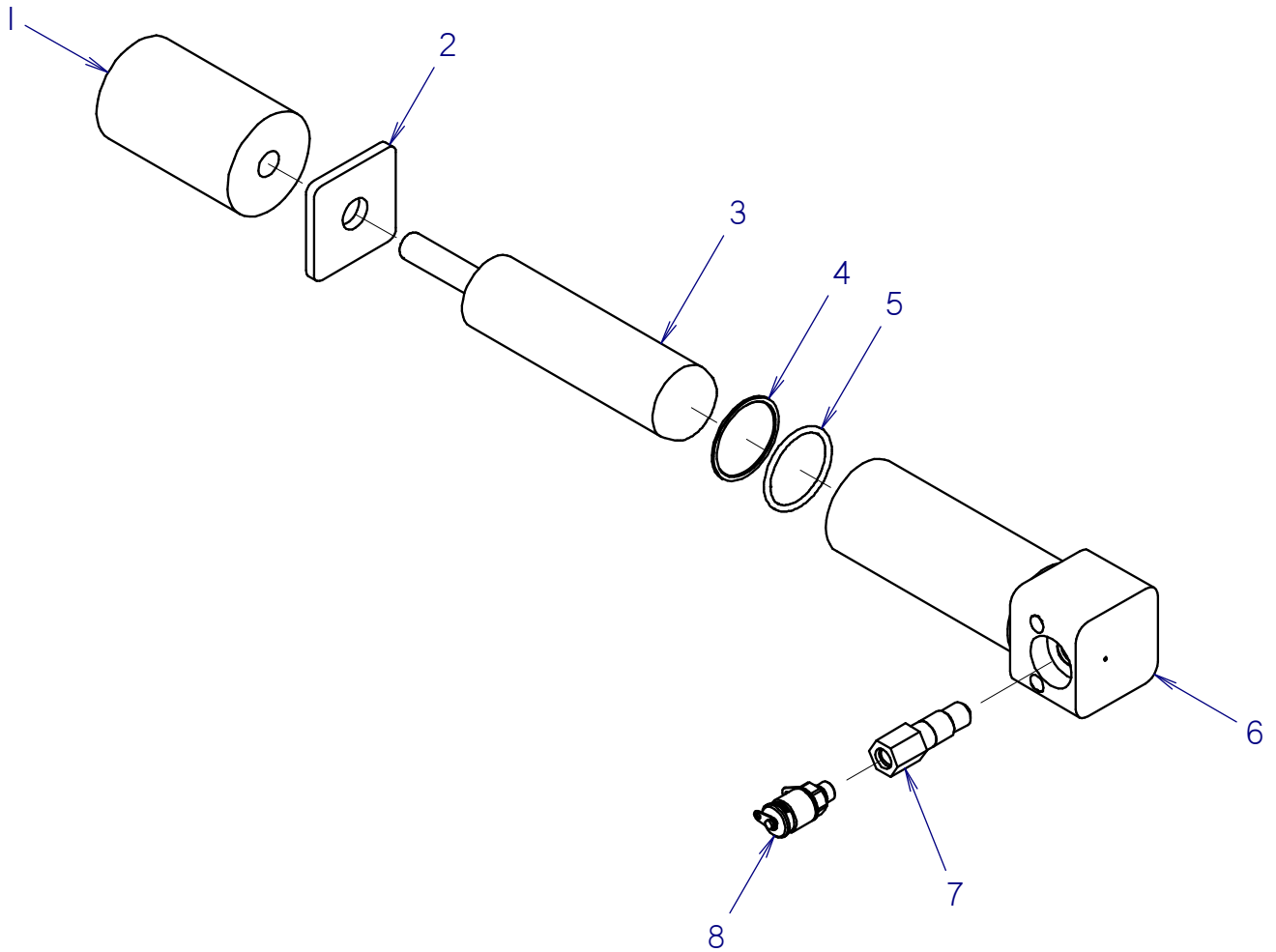
TRACK ASSEMBLY

BEGINS WITH S/N: DWPSK150HK0001544, DWPST37XJK0000077 & NOTE 1

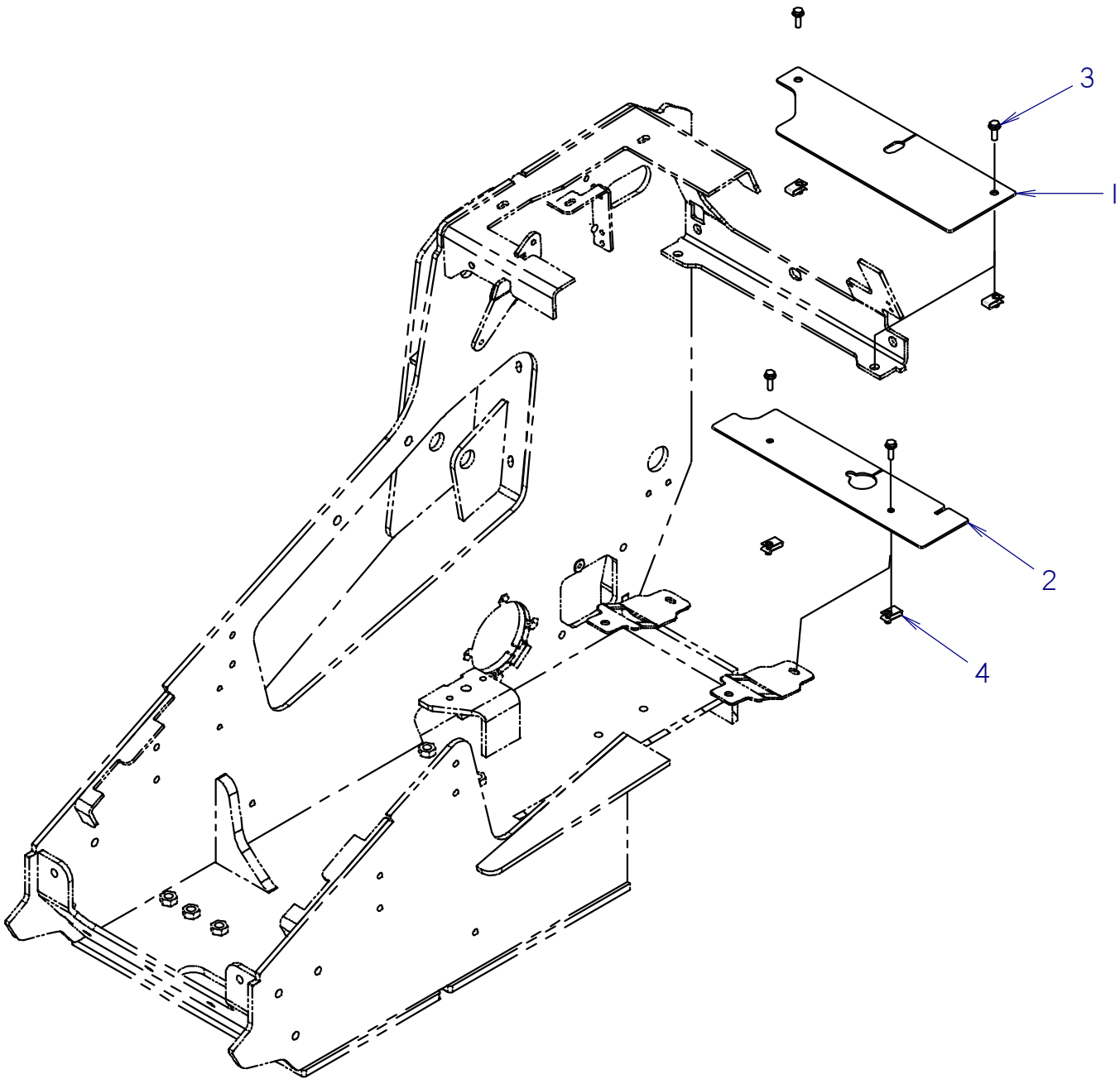


GREASE CYLINDER

BEGINS WITH S/N: CMWSK850HF0000362

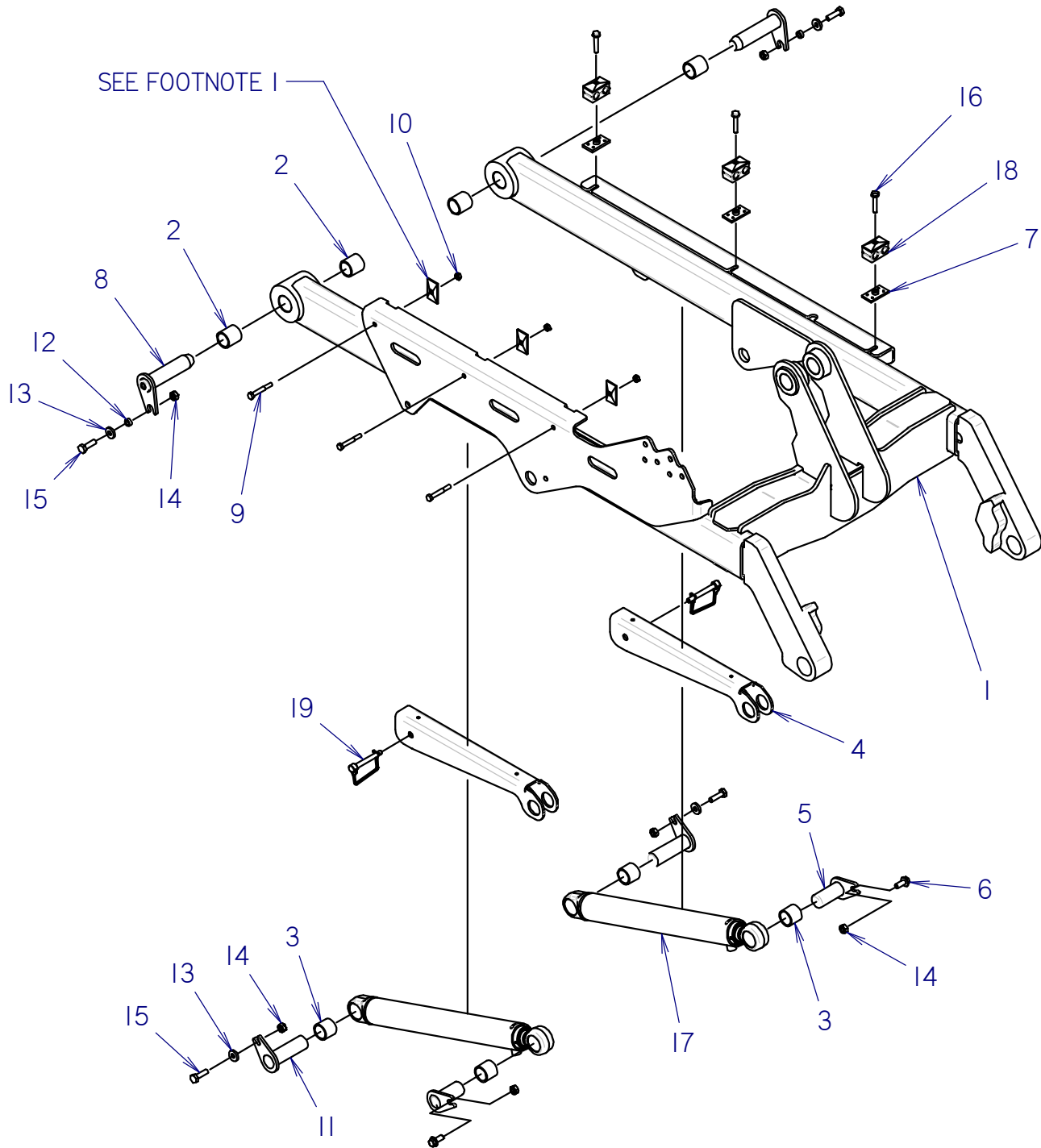


ENGINE COMPARTMENT FLAPS



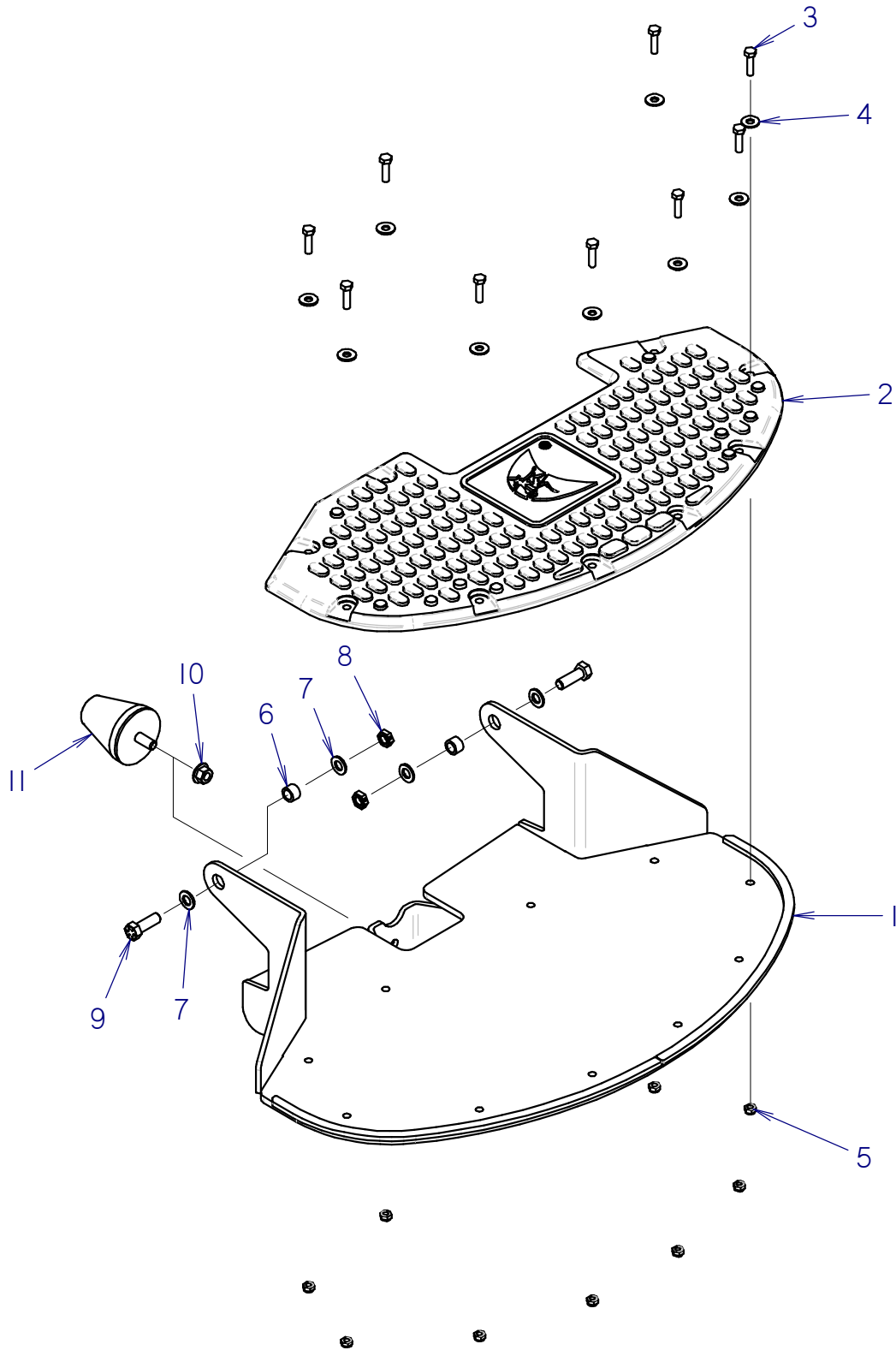
LIFT ARM MOUNTING

BEGINS WITH S/N: DWPSK105PN0002526



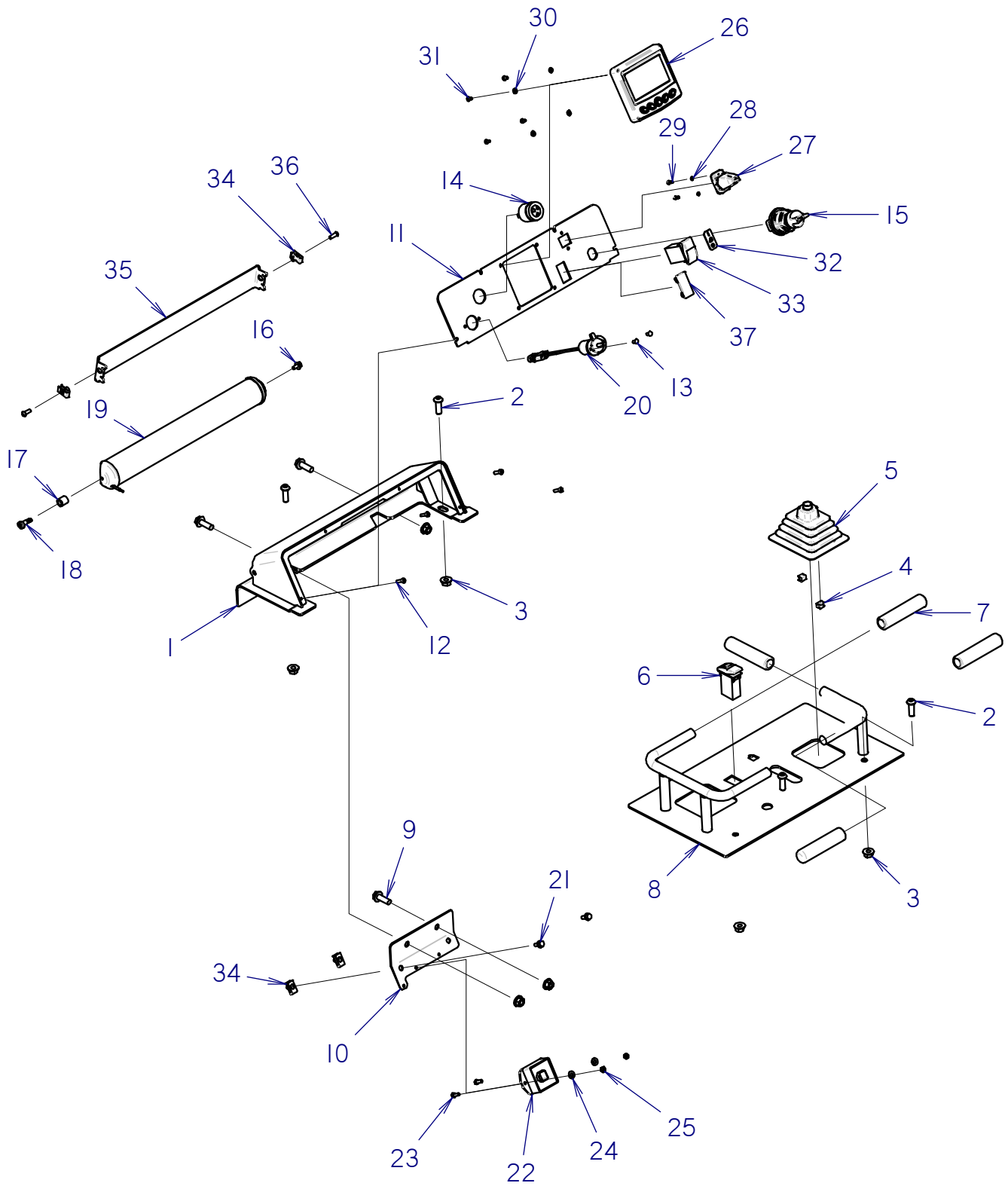
OPERATORS PLATFORM

BEGINS WITH SERIAL NUMBERS DWPSK600LN0001483, DWPST37XKN0000146
DWPSK800JN0004973, DWPSK900CN0000050, DWPSK105HN0002486K



CONSOLE

BEGINS WITH S/N: DWPSK105LL0001768



CLICK HERE TO **DOWNLOAD** THE COMPLETE MANUAL

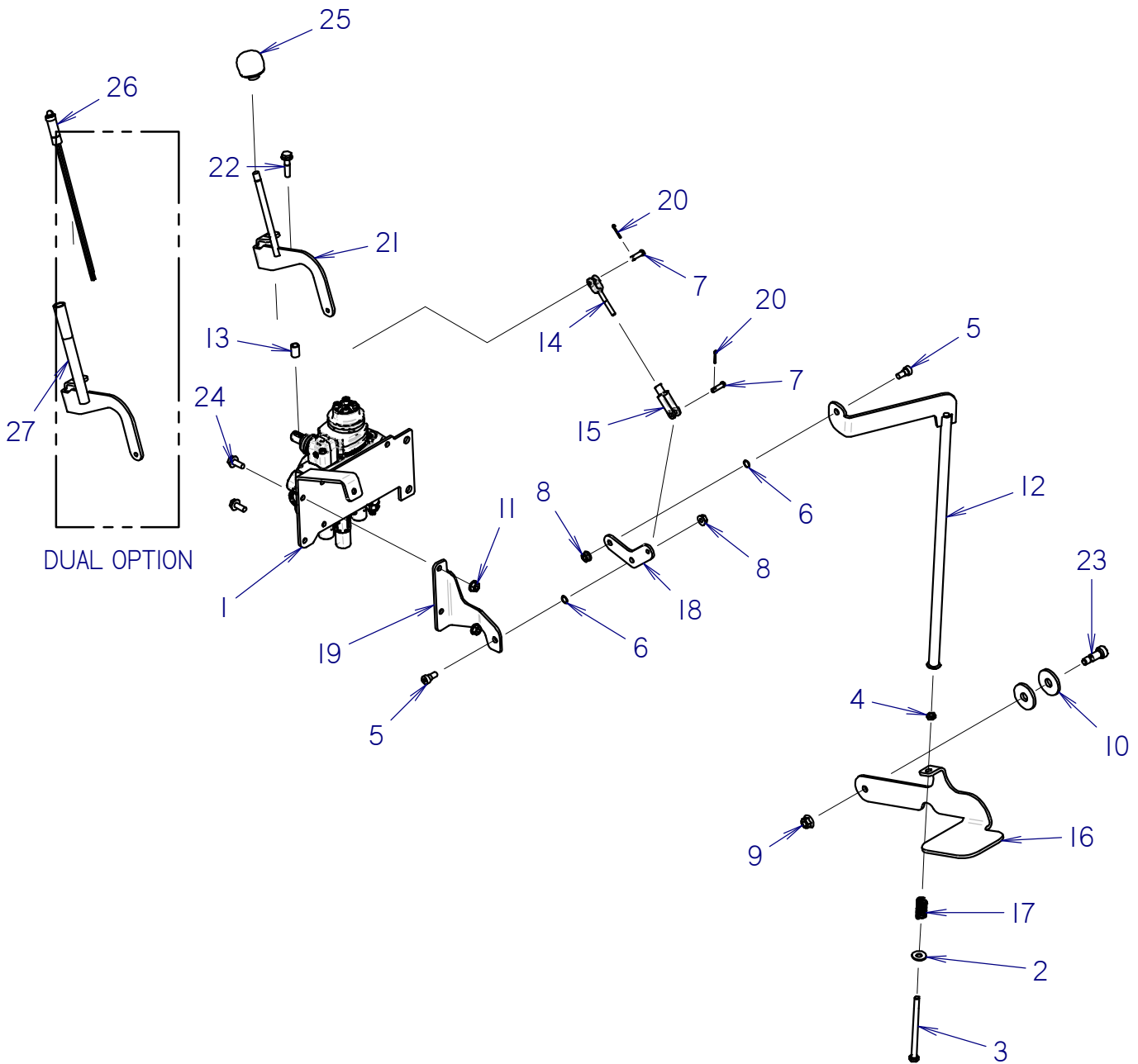
- Thank you very much for reading the preview of the manual.
- You can download the complete manual from: www.heydownloads.com by clicking the link below



- Please note: If there is no response to CLICKING the link, please download this PDF first and then click on it.

CLICK HERE TO **DOWNLOAD** THE COMPLETE MANUAL

AUXILIARY CONTROL FOOT PEDAL



SINGLE JOYSTICK MOUNTING

REF PART				
NO.	NUMBER	QTY	DESCRIPTION	REMARKS
1	302-2960	1	JOYSTICK PLT	
2	106-161	4	FLG SCREW (M6-1.00 X 20MM)	
3	106-385	5	FLG LOCKNUT (M6-1.00)	
4	362-1133	1	KNOB	
5	106-551	3	CLIP NUT (M8-1.25)	
6	158-627	1	SOLENOID VALVE	
7	107-025	1	SCREW (M6-1.00 X 50MM)	
8	106-381	3	FLG LK SCREW (M8-1.25 X 25MM)	
9	150-3654	1	PILOT JOYSTICK DUAL AXIS W/SHUTTLE BLK	
10	105-095	1	WASHER (1/4")	

NOT SHOWN:

FOOTNOTES:

NOTE:

AUXILIARY PUMP PRESSURE HYDRAULICS BEGINS WITH S/N:

REF NO.	PART NUMBER	QTY	DESCRIPTION	REMARKS
1	154-235	2	CONNECTOR (08S-08090)	
2	150-5820	1	DOUBLE GEAR PUMP	SEE FOOTNOTE 1
3	156-973	2	BRANCH TEE (080-040-10S)	
4	159-156	2	QDC ADAPTER (02-040F)	
5	150-4131	1	VALVE SD5-3	
6	150-5772	1	HOSE (080FX-65"-3000 SLV)	USE 32" OF 118-217 SPIRAL WRAP
7	150-5807	1	HOSE (080FX-75"-3000 SLV)	USE 32" OF 118-217 SPIRAL WRAP
8	118-217	64	SPIRAL WRAP (3/4" SOLD PER FT)	USE 2 @ 32"

NOT SHOWN:

FOOTNOTES:

1. 150-5280 DOUBLE GEAR PUMP BEGINS WITH S/N: , 150-4132 HYDRAULIC PUMP ENDS WITH S/N:

NOTE:

TILT CYLINDER HYDRAULICS

REF NO.	PART NUMBER	QTY	DESCRIPTION	REMARKS
1	150-4129	1	CYL (2.5 X 1.25 X 10.0)	
2	154-221	1	CONNECTOR (06S-060)	
3	150-1195	1	HOSE (060FX90S-103"-3000)	
4	150-1195	1	HOSE (060FX90S-103"-3000)	
5	105-1123	2	ABRASION SLEEVE (1.25" X 106")	
6	154-342	1	CONNECTOR (06S-06090)	
7	154-471	1	CONNECTOR (06S-06090.LG)	
8	150-4131	1	VALVE SD5-3	
9	157-037	1	O-RING (O11 D90)	

NOT SHOWN:

FOOTNOTES:

NOTE:

GROUND DRIVE HYDRAULICS

REF NO.	PART NUMBER	QTY	DESCRIPTION	REMARKS
1	150-5969	1	HYD TANDEM PUMP HPP2A 19CC/19CC/7CC/7CC	
2	154-279	6	CONNECTOR (080-10S)	
3	155-193	2	REDUCER (110S-08SF)	
4	154-254	2	CONNECTOR (08S-08090, XL)	
5	154-256	2	UNION (080-080FX90)	
6	155-572	2	HYD MTR (GEROLER) 20.6 CID	
7	118-217	96	SPIRAL WRAP (3/4" SOLD PER FT)	USE 4 @ 24"
8	154-943	1	HOSE (080FX45-30"-3000)	USE 24" OF 118-217 SPIRAL WRAP
9	154-943	1	HOSE (080FX45-30"-3000)	USE 24" OF 118-217 SPIRAL WRAP
10	150-4307	1	HOSE (080FX45-33"-3000)	USE 24" OF 118-217 SPIRAL WRAP
11	150-4307	1	HOSE (080FX45-33"-3000)	USE 24" OF 118-217 SPIRAL WRAP

NOT SHOWN:

FOOTNOTES:

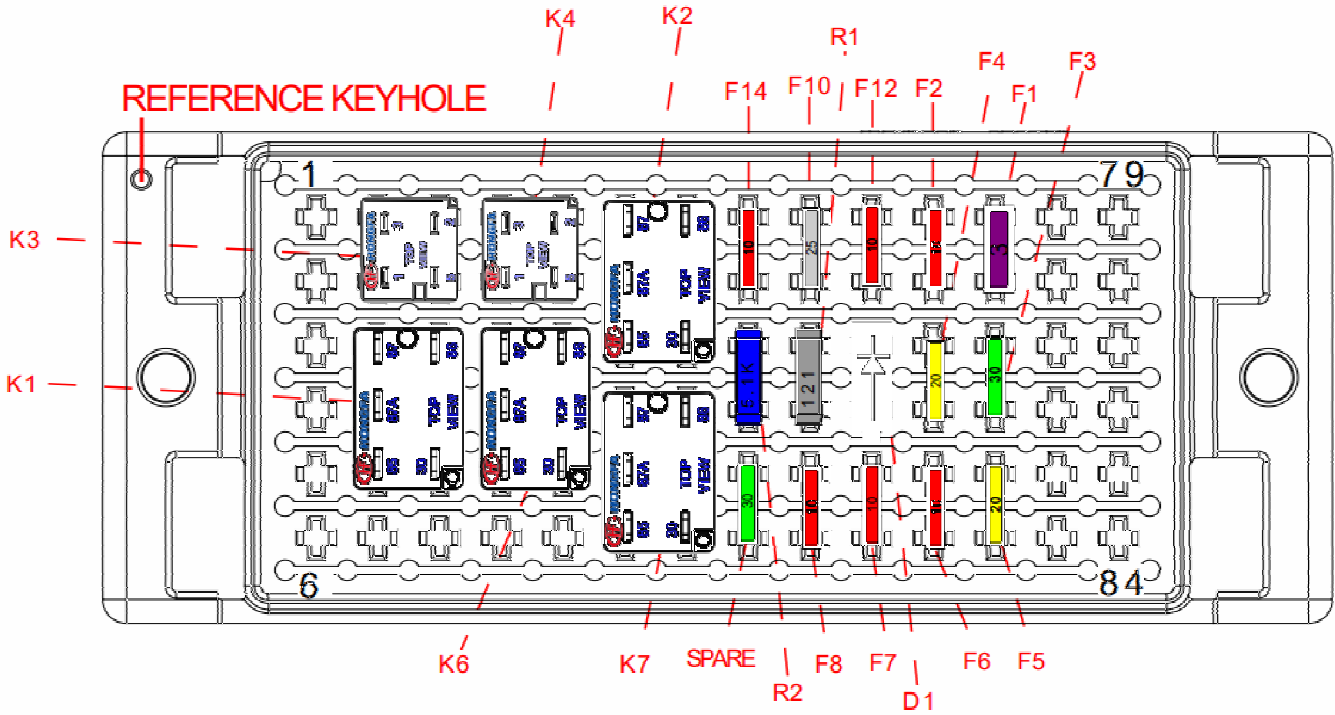
NOTE:

WIRE LIST

CIRCUIT NO.	WIRE COLOR	DESCRIPTION
1A	BLACK/RED	MED GROUND
1B	BLACK/BLUE	LOW GROUND
1D	BLACK/YELLOW	DISPLAY GROUND
1E	BLACK/ORANGE	ENG GROUND
2	RED	BATTERY POWER
2C	RED	PRIMARY CIRCUIT
2D	RED/ORANGE	ALTERNATOR POWER
2E	RED/WHITE	GLOW PLUG FUSE TO RELAY
2F	YELLOW/GREEN	START
3	RED/WHITE	STARTER MOTOR FUSE TO S.M. RELAY
4	RED/BLACK	EGR FUSE TO RELAY
5	RED/ORANGE	FUSE TO IGN SWITCH
6	BLUE	IGN SWITCH TO ACC FUSE
7	BROWN	START CIRCUIT
8	RED/BROWN	IGN SWITCH TO IGN RELAY
9	ORANGE/BLUE	ALTERNATOR SIGNAL TO ECU
9A	ORANGE	IGN FUSE TO IGN RELAY
10	ORANGE/GREEN	IGNITION CIRCUIT
10A	ORANGE/BLUE	ALT FUSE TO ALT DIODE
10B	GREEN/ORANGE	FMS IGNITION CIRCUIT
11	WHITE/BLACK	DPF PRESSURE(PIN4) TO ECU
12	GRAY/WHITE	DPF RETURN TO ECU
13	ORANGE/WHITE	FUEL PUMP FUSE TO BH REMOTE STOP
14	RED/WHITE	DPF PRESSURE(PIN5) TO ECU
15	BROWN/YELLOW	DPF PRESSURE(PIN3) TO ECU
16	RED/GREEN	ECU TO EGR RELAY
17	RED/BLUE	DPF INLET TEMP
18	RED/BLACK	DPF MID TEMP
19	RED/BROWN	ECU TO STR MTR RELAY
20	RED/YELLOW	ENGINE CONNECTOR TO STR MTR RELAY
21	YELLOW/ORANGE	GLOW PLUG RELAY TO ECU
22	YELLOW/WHITE	CAN HI
23	GREEN/WHITE	CAN LOW
24	PURPLE	GLOW PLUG RELAY TO GLOW PLUG
25	RED/ORANGE	ECU POWER
26	ORANGE/GRAY	DIODE TO ALTERNATOR
27	RED/BLUE	DISPLAY STAND BY POWER
28	WHITE/BROWN	EGR RELAY TO ENGIN CONNECTOR
29	TAN/WHITE	ENGINE CONNECTOR (RED 12PIN) - PIN2
30	PINK/BLACK	ENGINE CONNECTOR (RED 12PIN) - PIN3
31	BLUE/ORANGE	FUEL PUMP POWER
32	GREEN	DUAL AUX SWITCH TO VALVE
32A	ORANGE/GRAY	REMOTE STOP SWITCH TO RELAY
33	GRAY/BLACK	ENGINE CONNECTOR (RED 8PIN) - PIN1

ELECTRICAL DIAGRAM

SK1050 S4

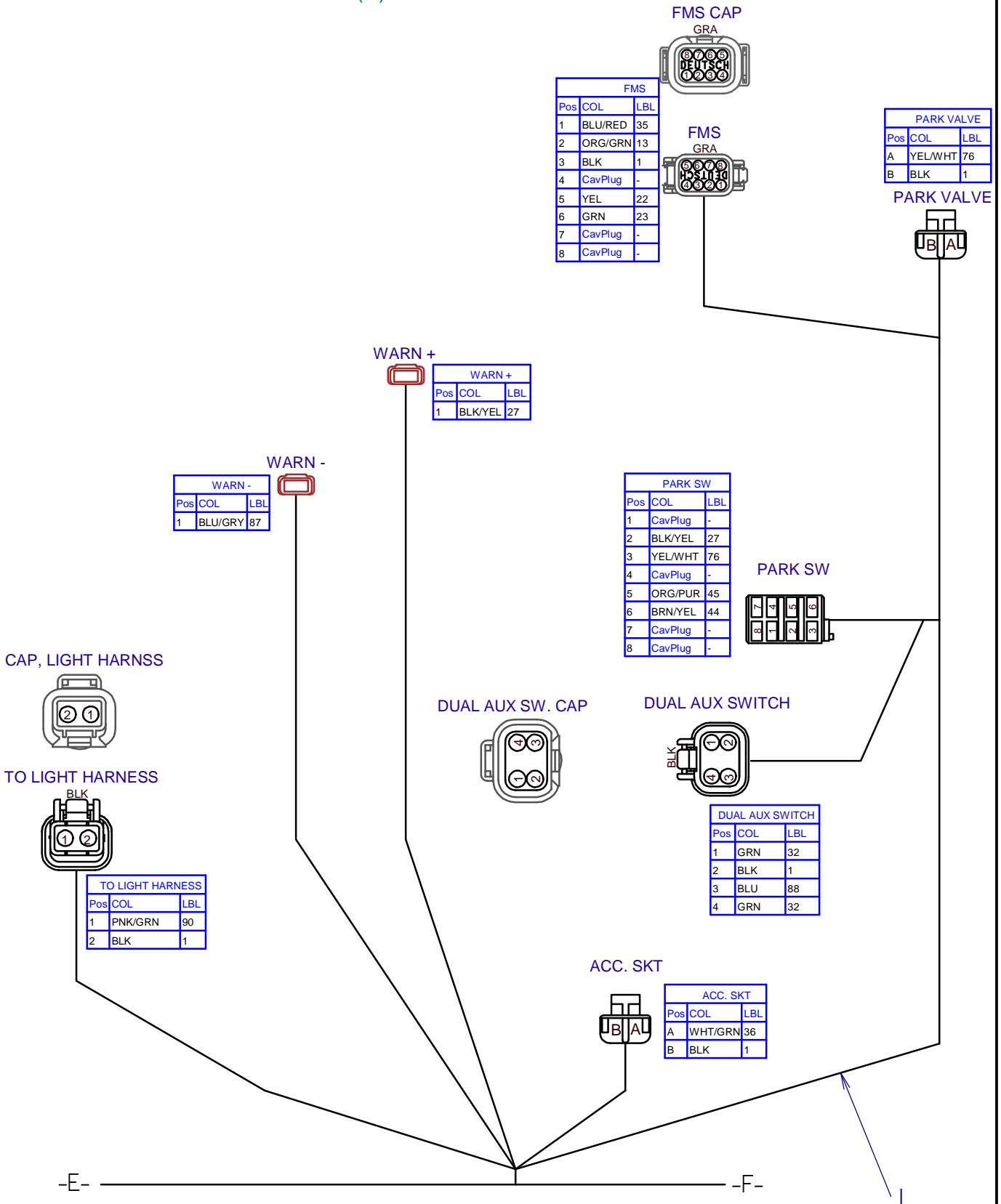


K1 - START RELAY
 K2 - GLOW PLUG RELAY
 K3 - EGR VALVE RELAY
 K4 - REGEN RELOAD RELAY
 K5 - POWER RELAY
 K6 - LIGHT/SOLENOID RELAY
 K7 - IGNITION RELAY

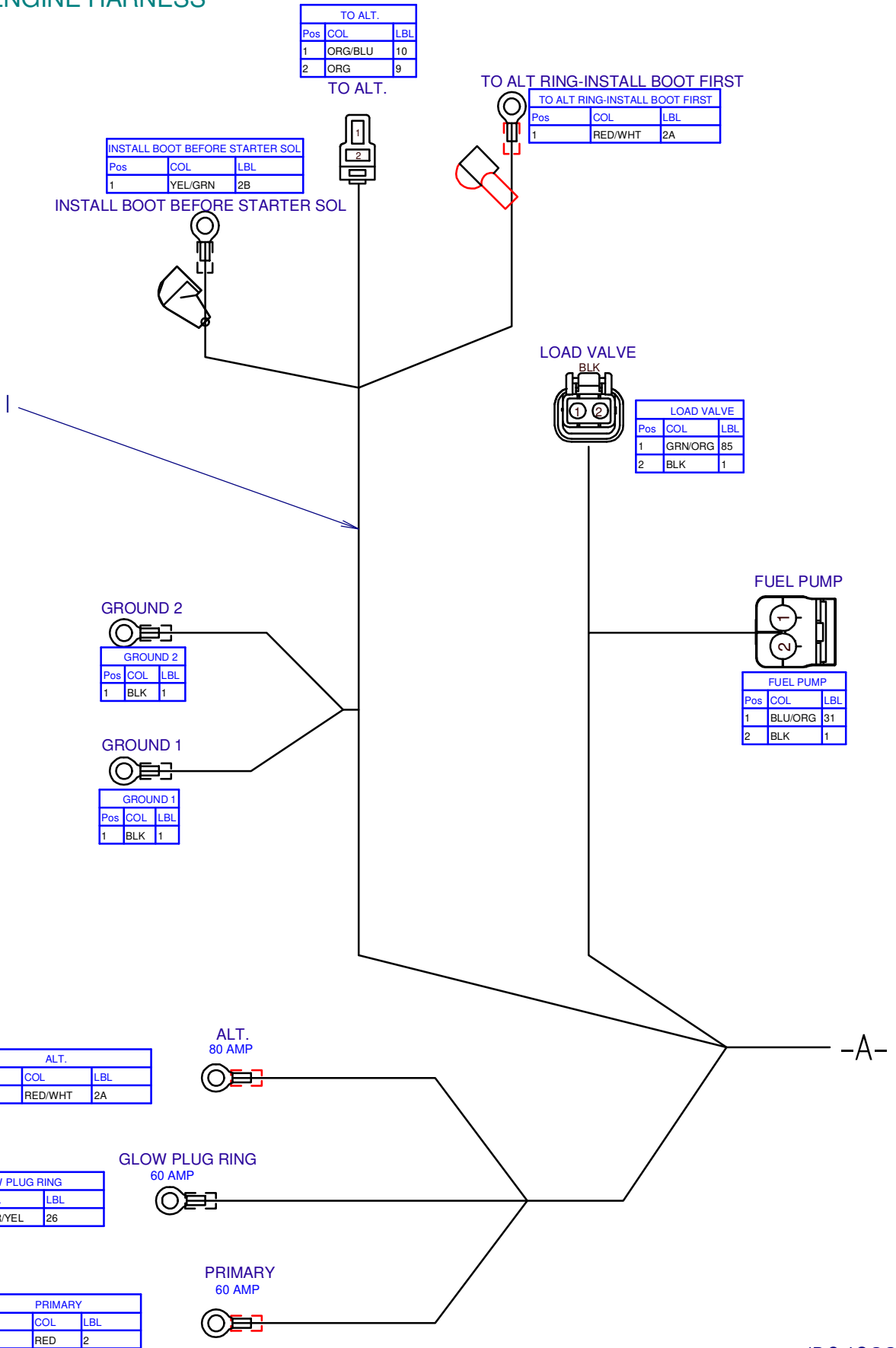
F1 - 3A-FMS
 F2 - 15A-ACCY
 F3 - 30A-START
 F4 - 20A-EGR
 F5 - 20A-CONTROLLER
 F6 - 10A-FUEL PUMP
 F7 - 10A-DISPLAY
 F8 - 10A-MAIN
 F9 - 30A-POWER RELAY
 F10-25A- IGN.
 F12 - 10A- LED
 F14 - 10A DUAL AUX

R1 - 121 OHM RESISTOR
 R2 - 5.1K OHM RESISTOR
 D1 - DIODE LEFT ARROW

ELECTRICAL DIAGRAM YANMAR ENG/FRAME HARNESS (A)



ELECTRICAL DIAGRAM YANMAR ENGINE HARNESS



ELECTRICAL DIAGRAM

YANMAR ENGINE HARNESS

REF NO.	PART NUMBER	QTY	DESCRIPTION	REMARKS
1	215-1031	1	YANMAR ENG/FRAME HARNESS (A)	
2	215-1597	1	ROCKER SWITCH (DPST) ON-OFF (W/ LOCK)	SEE FOOTNOTE
3	105-094	1	BOLT (5/16-NC X 1")	
4	105-092	1	NUT (5/16-NC)	
5	214-854	1	TEMPERATURE SWITCH(I/4NPT,MALE)	

NOT SHOWN:

FOOTNOTES:

215-0085 ENDS WITH S/N DWPSKI05TJ0000588, 215-1031 BEGINS WITH S/N DWPSKI05PJ0000592

NOTE:

MISCELLANEOUS

CLICK HERE TO **DOWNLOAD** THE COMPLETE MANUAL

- Thank you very much for reading the preview of the manual.
- You can download the complete manual from: www.heydownloads.com by clicking the link below



- Please note: If there is no response to CLICKING the link, please download this PDF first and then click on it.

CLICK HERE TO **DOWNLOAD** THE COMPLETE MANUAL