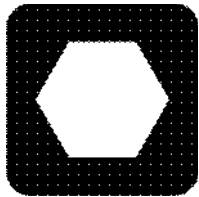


RT36

Parts Manual



CLICK HERE TO **DOWNLOAD** THE COMPLETE MANUAL

- Thank you very much for reading the preview of the manual.
- You can download the complete manual from: www.heydownloads.com by clicking the link below



- Please note: If there is no response to CLICKING the link, please download this PDF first and then click on it.

CLICK HERE TO **DOWNLOAD** THE COMPLETE MANUAL

DECAL LOCATION

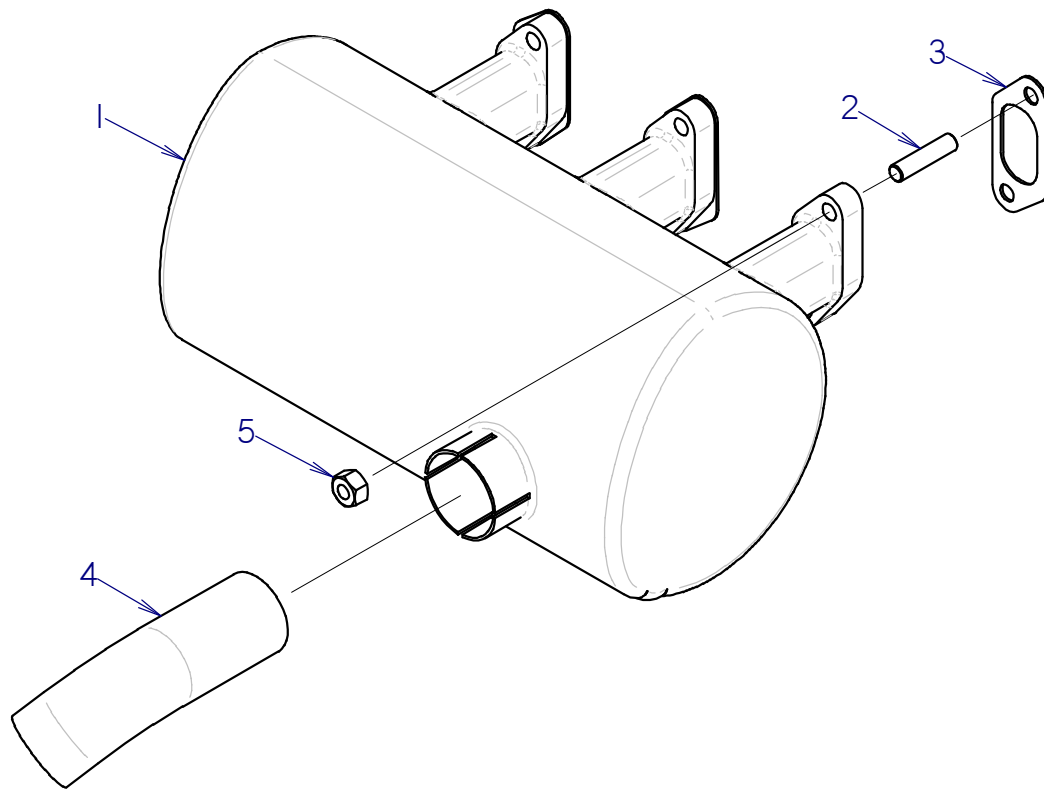
RT36

REF NO.	PART NUMBER	QTY	DESCRIPTION	REMARKS
	275-968		DECAL KIT - RT36	
1	273-267	1	DITCH WITCH BATTERY	
2	273-423	1	CAUTION HOT PARTS	
3	273-475	1	NOTICE - READ MANUAL	
4	273-487	2	WARNING FALL POSSIBLE	
5	273-541	1	RELAY DECAL	
6	273-542	1	RELAY/FUSE DECAL	
7	273-543	1	FUSE DECAL	
8	273-547	1	RT36 LUBE CHART	
9	274-214	1	OPERATION INSTRUCTIONS	
10	274-318	2	TIE DOWN LOCATION	
11	274-442	1	LIFT LOCATION	
12	274-750	1	BFB TILT FUNCTION	SEE FOOT NOTE 1
13	275-019	1	TRANSMISSION	
14	275-023	1	OIL LEVEL	
15	275-033	1	NOTICE ELECTRICAL SYSTEM	
16	275-042	1	MOBILE - DIG	
17	275-070	2	WARNING RUNAWAY	
18	275-097	1	DANGER CHAIN & AUGER	
19	275-100	1	MANIFOLD	
20	275-120	1	RESERVOIR (THF)	
21	275-148	1	FUEL TANK (DIESEL)	
22	275-184	1	WARNING MOVING PARTS	
23	275-303	1	WARNING ROLLOVER	
24	275-310	1	DITCH WITCH EMBLEM	
25	275-361	1	PARKING BRAKE	
26	275-429	1	DANGER CHAIN & AUGER	
27	275-449	1	DITCH WITCH LOGO PLACARD	
28	275-463	1	INTERLOCK MODULE	
29	275-476	1	DIGGING CHAIN	
30	275-497	1	OIL DRAIN-ID	
31	700-128	1	THROTTLE CONTROL	
32	700-196	2	STACKED DITCH WITCH LOGOTYPE	
33	700-197	1	LEFT RT36 MODEL ID W/ STRIPE	
34	700-198	1	RIGHT RT36 MODEL ID W/ STRIPE	
35	700-201	1	CONSOLE DECAL	
36	700-203	1	IGNITION DECAL	
37	700-207	1	CONTROL VALVE	

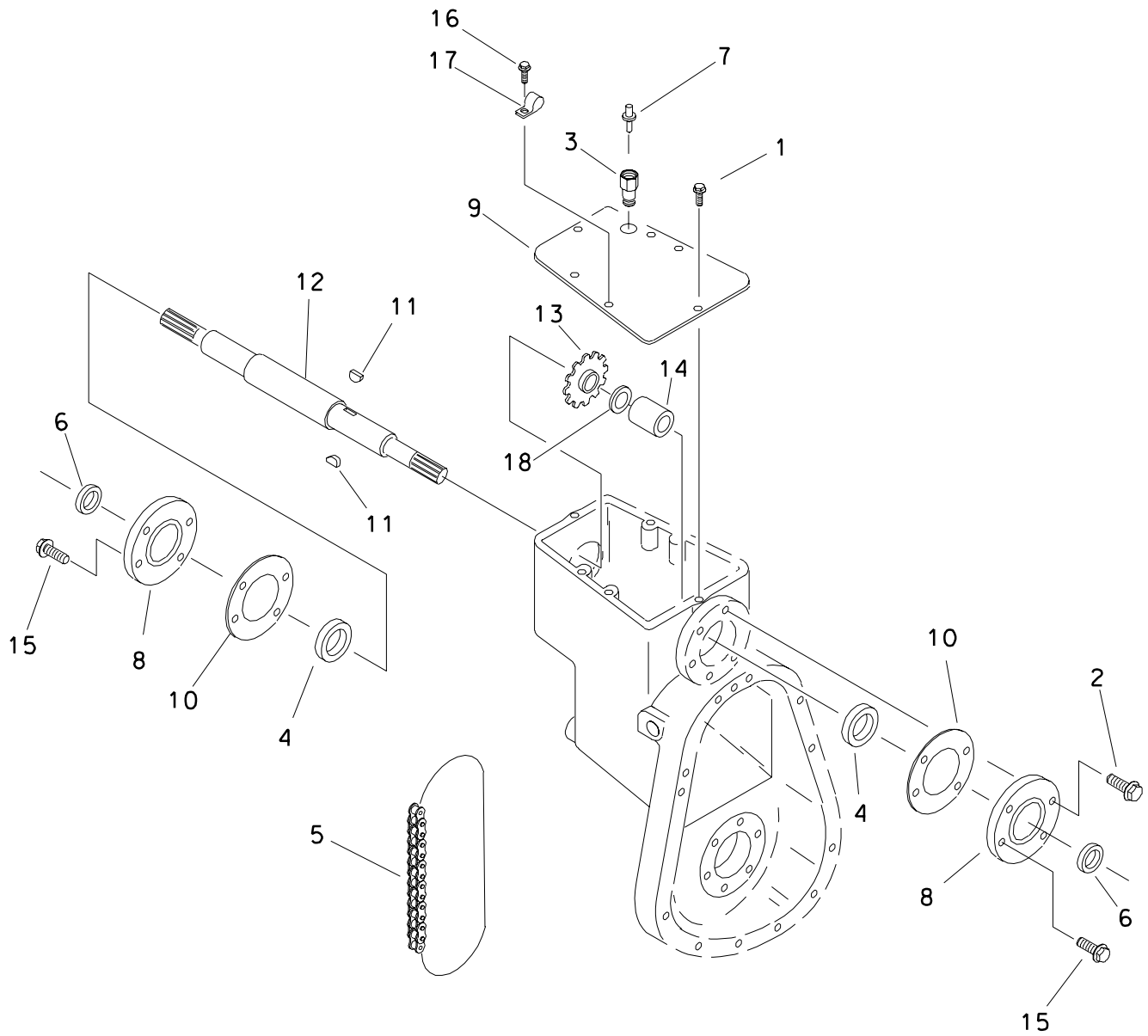
FOOTNOTES

1. NOT PART OF KIT. USED WITH TILT BACKFILL BLADE.

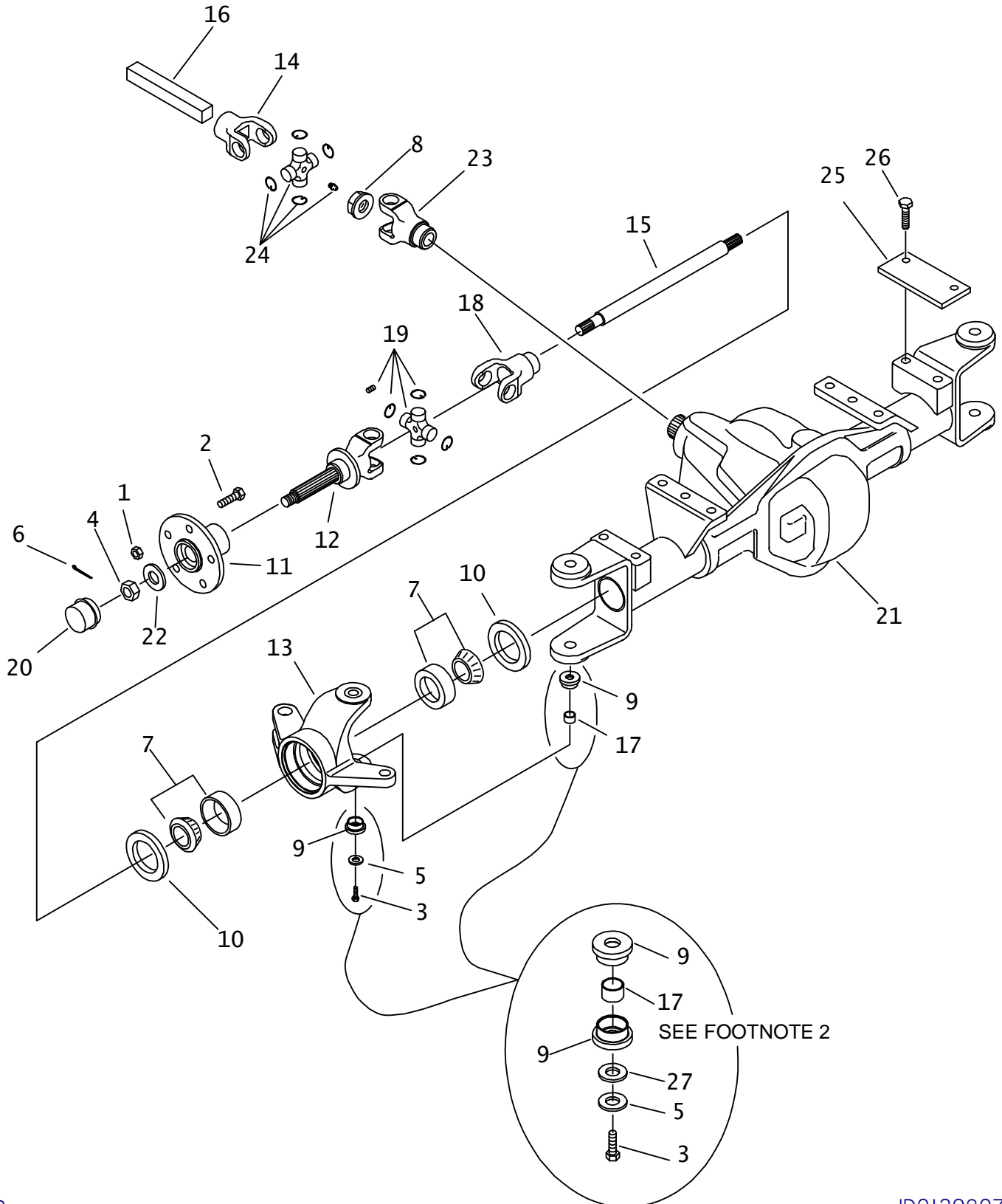
MUFFLER



GEAR BOX INPUT

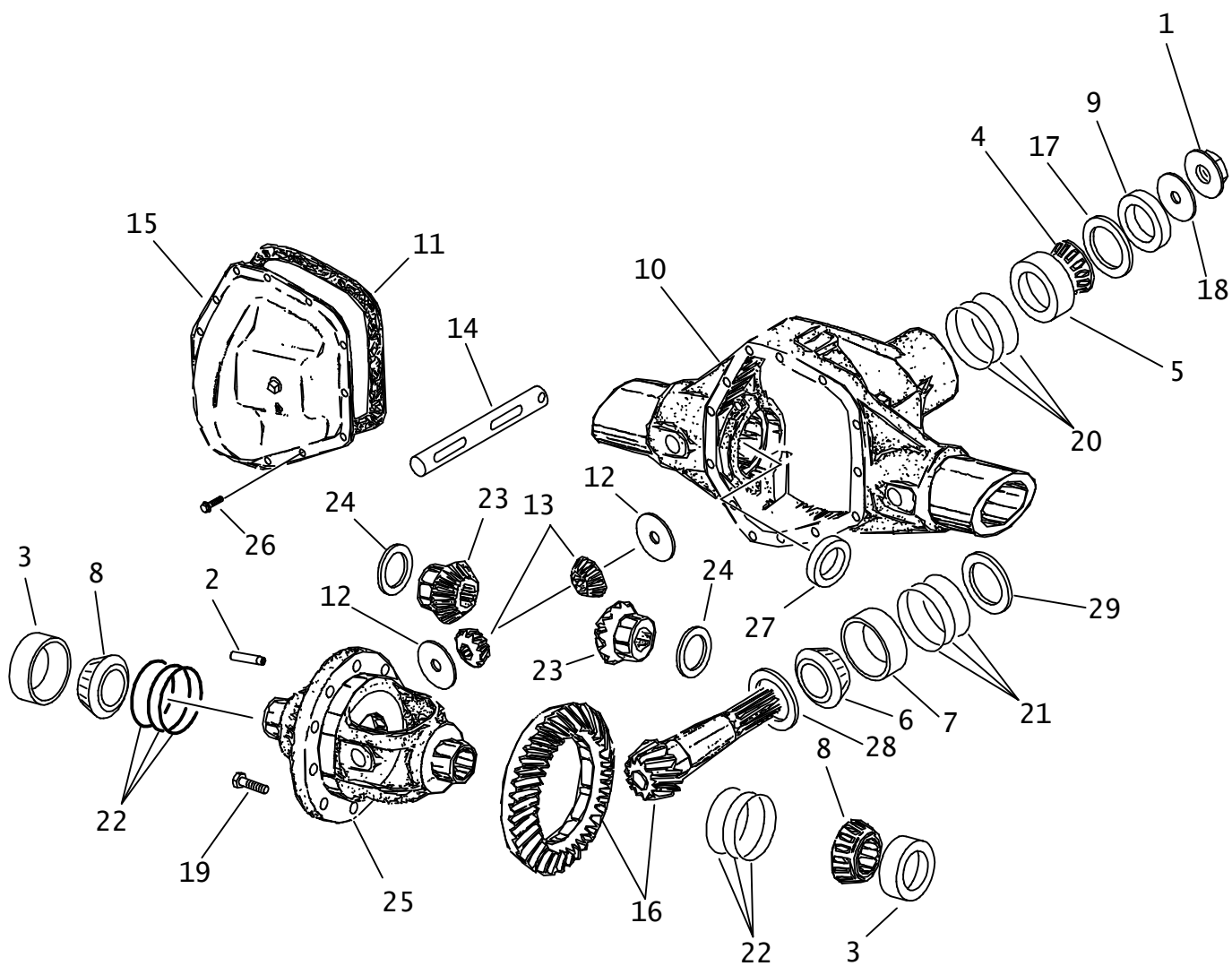


FRONT DIFFERENTIAL DANA 44

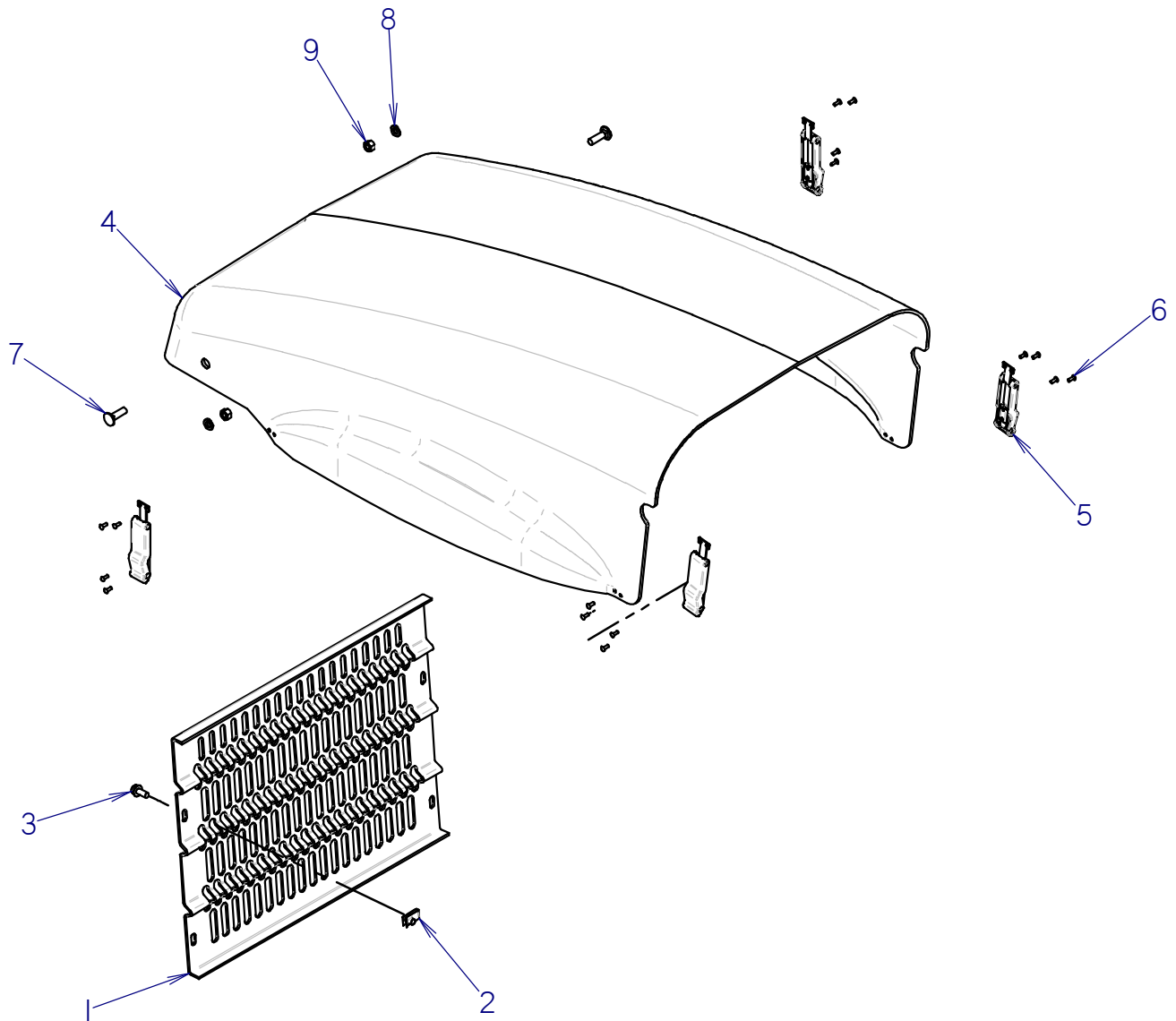


CARRIER

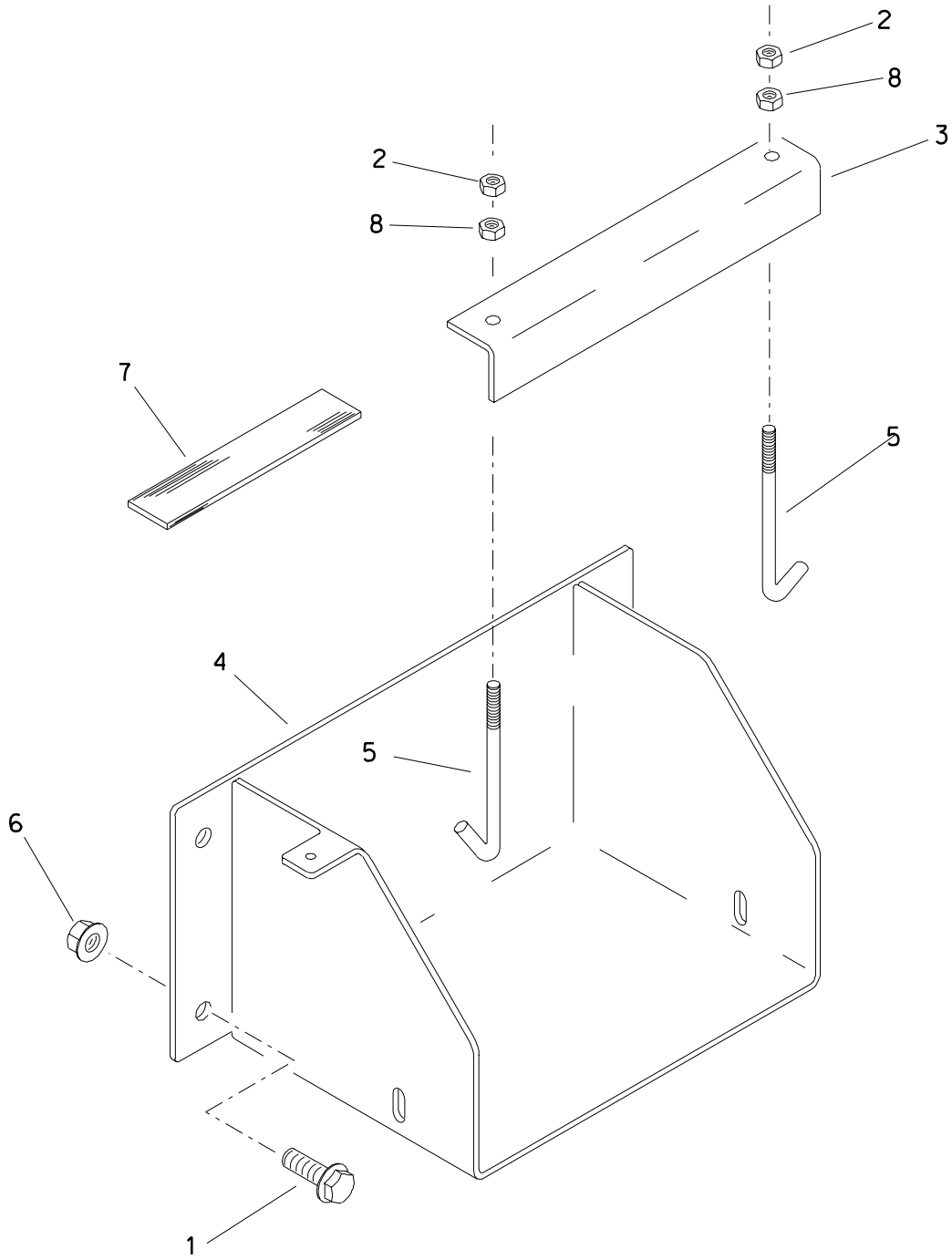
DANA 44 STANDARD



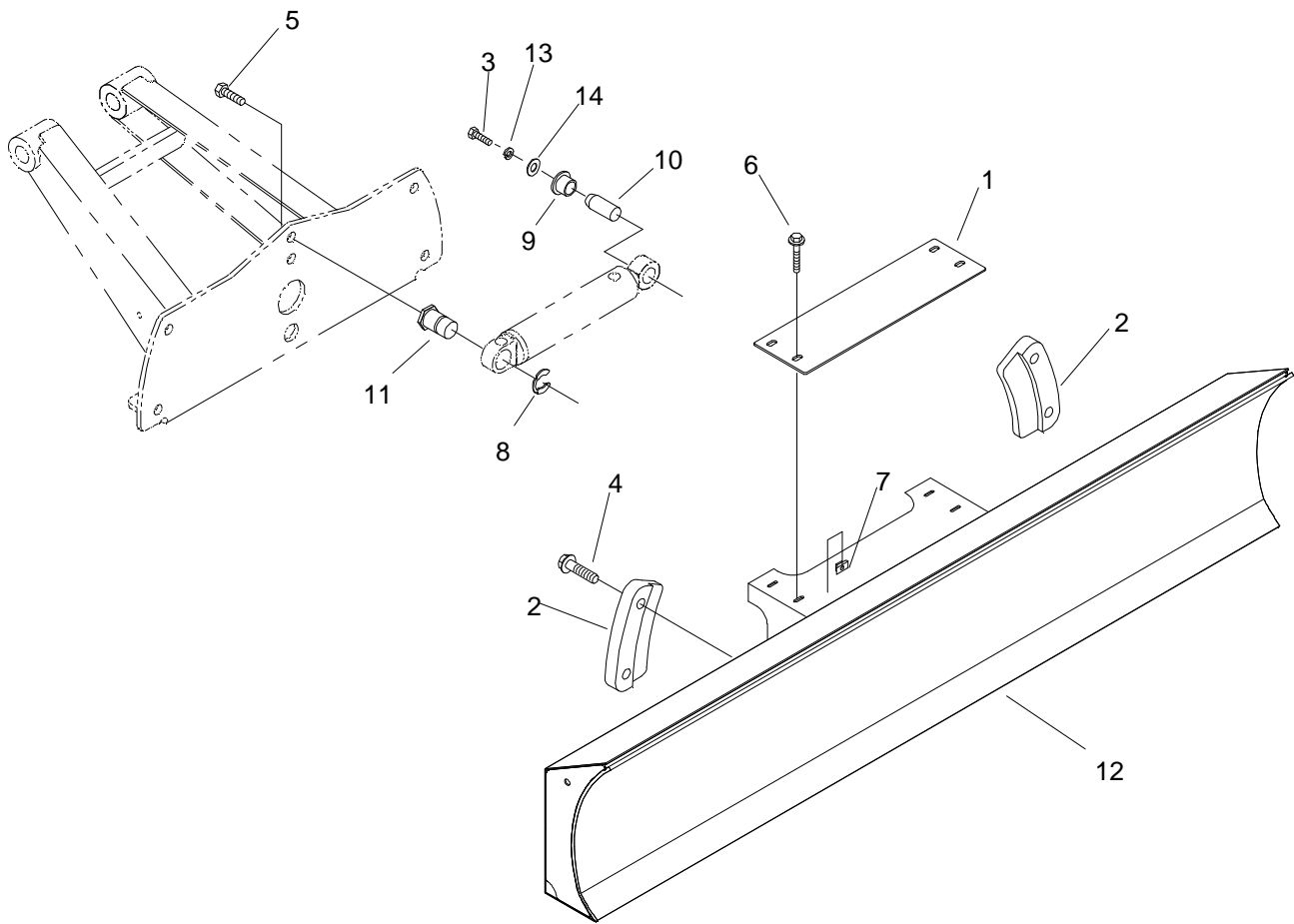
HOOD



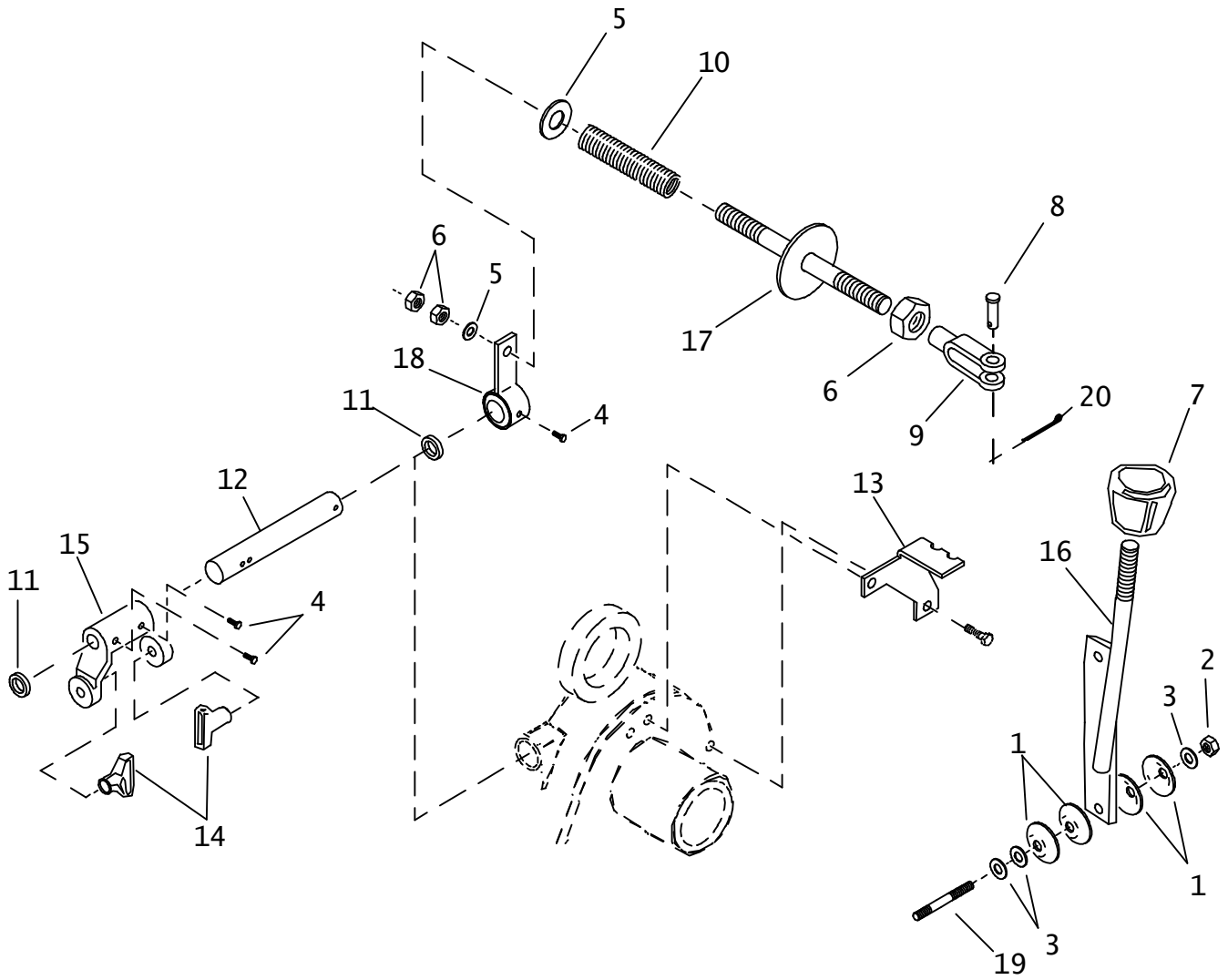
BATTERY BOX



TILT BACKFILL BLADE (64")



MOBILE-CROWD SHIFT



CLICK HERE TO **DOWNLOAD** THE COMPLETE MANUAL

- Thank you very much for reading the preview of the manual.
- You can download the complete manual from: www.heydownloads.com by clicking the link below

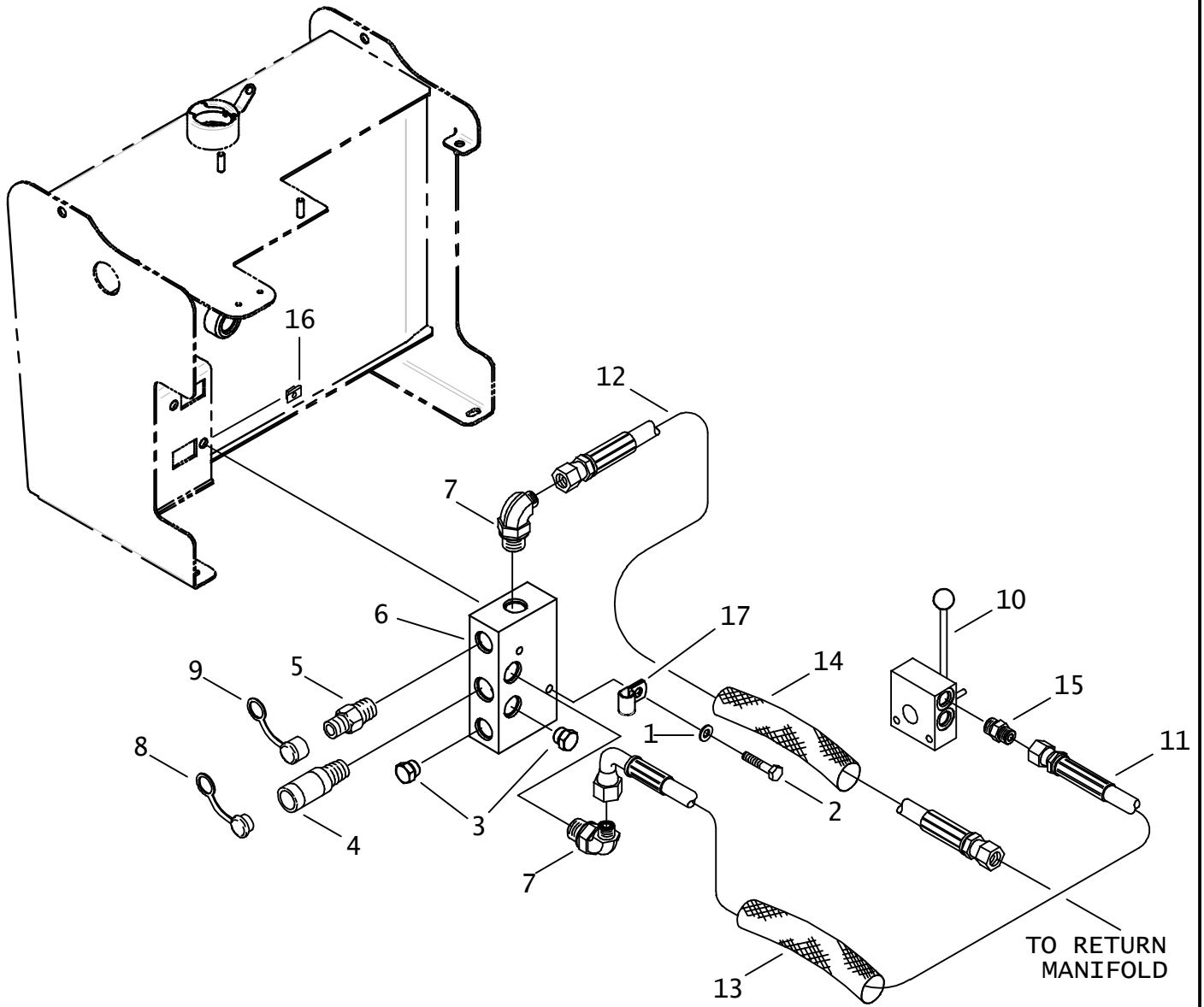


- Please note: If there is no response to CLICKING the link, please download this PDF first and then click on it.

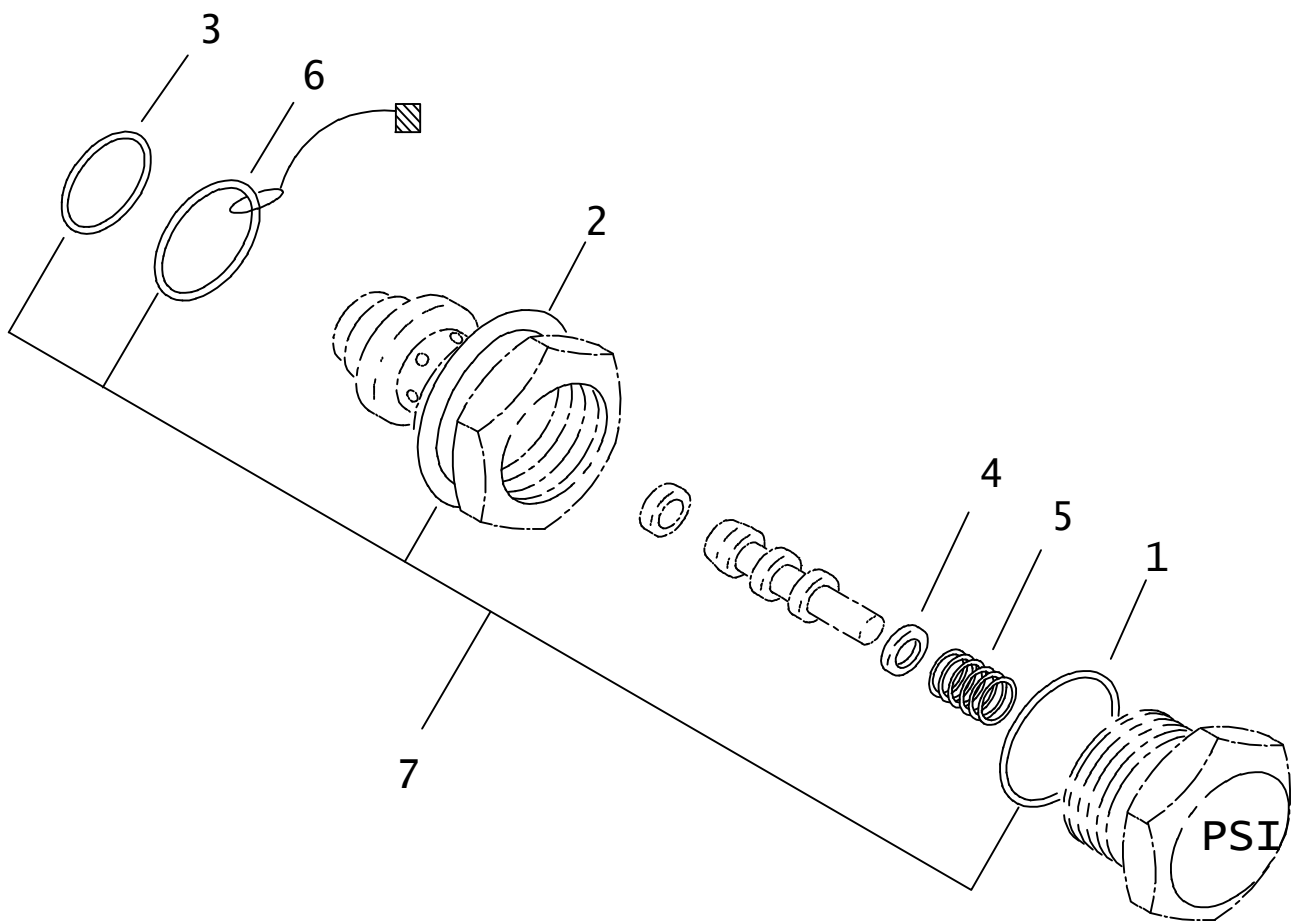
CLICK HERE TO **DOWNLOAD** THE COMPLETE MANUAL

See loose-leaf schematic included with this manual.

MANIFOLD OPTION

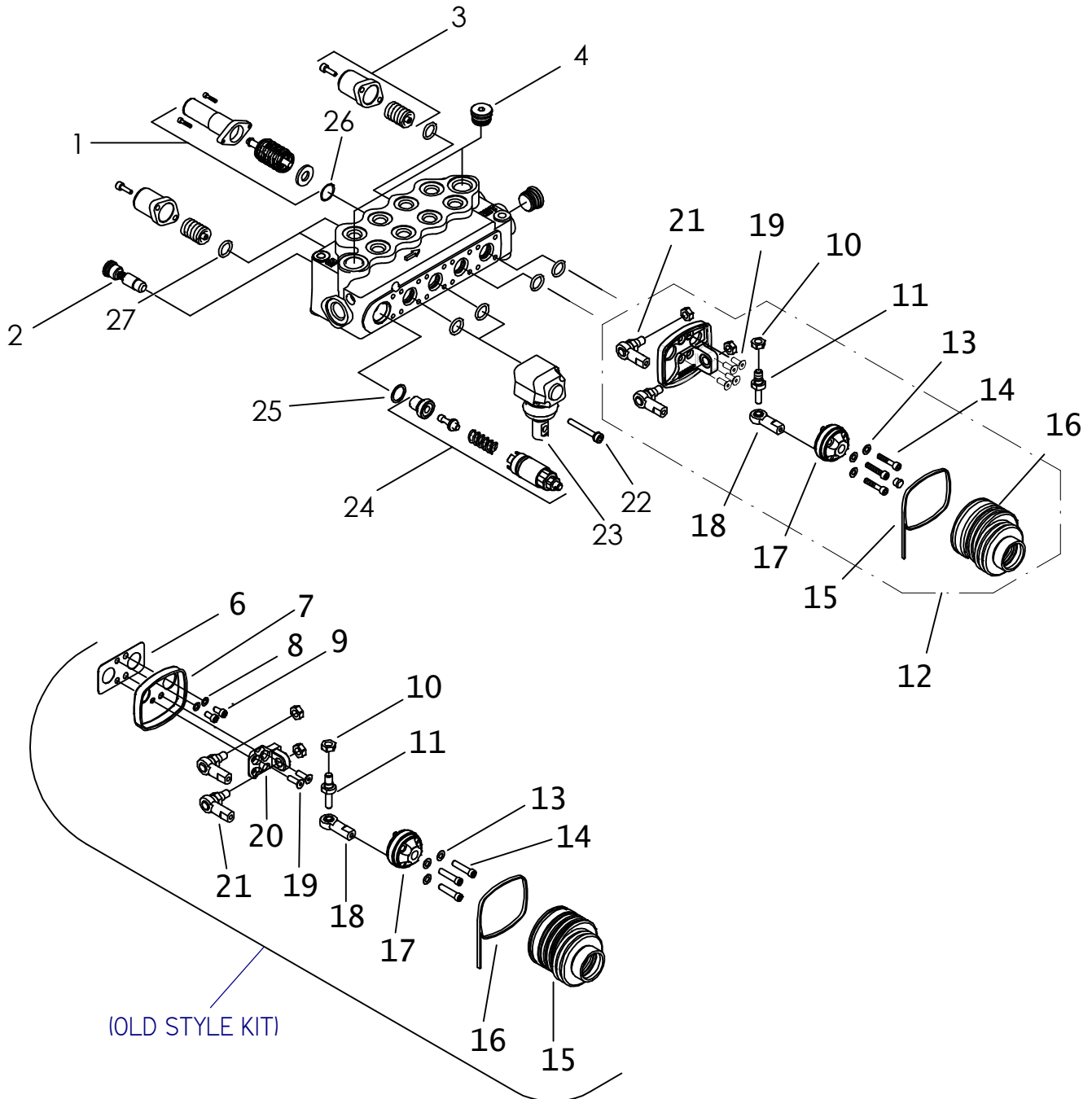


RELIEF CARTRIDGE

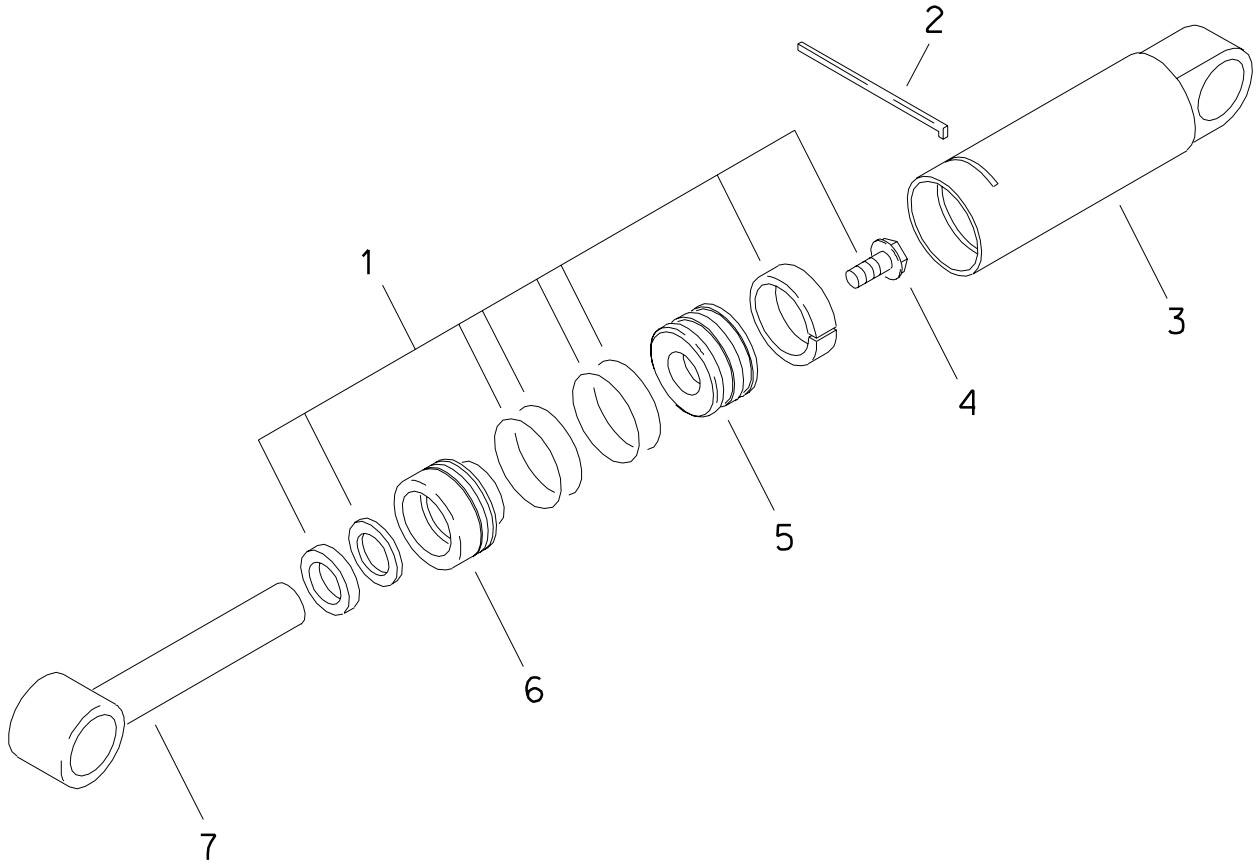


HYDRAULIC CONTROL VALVES

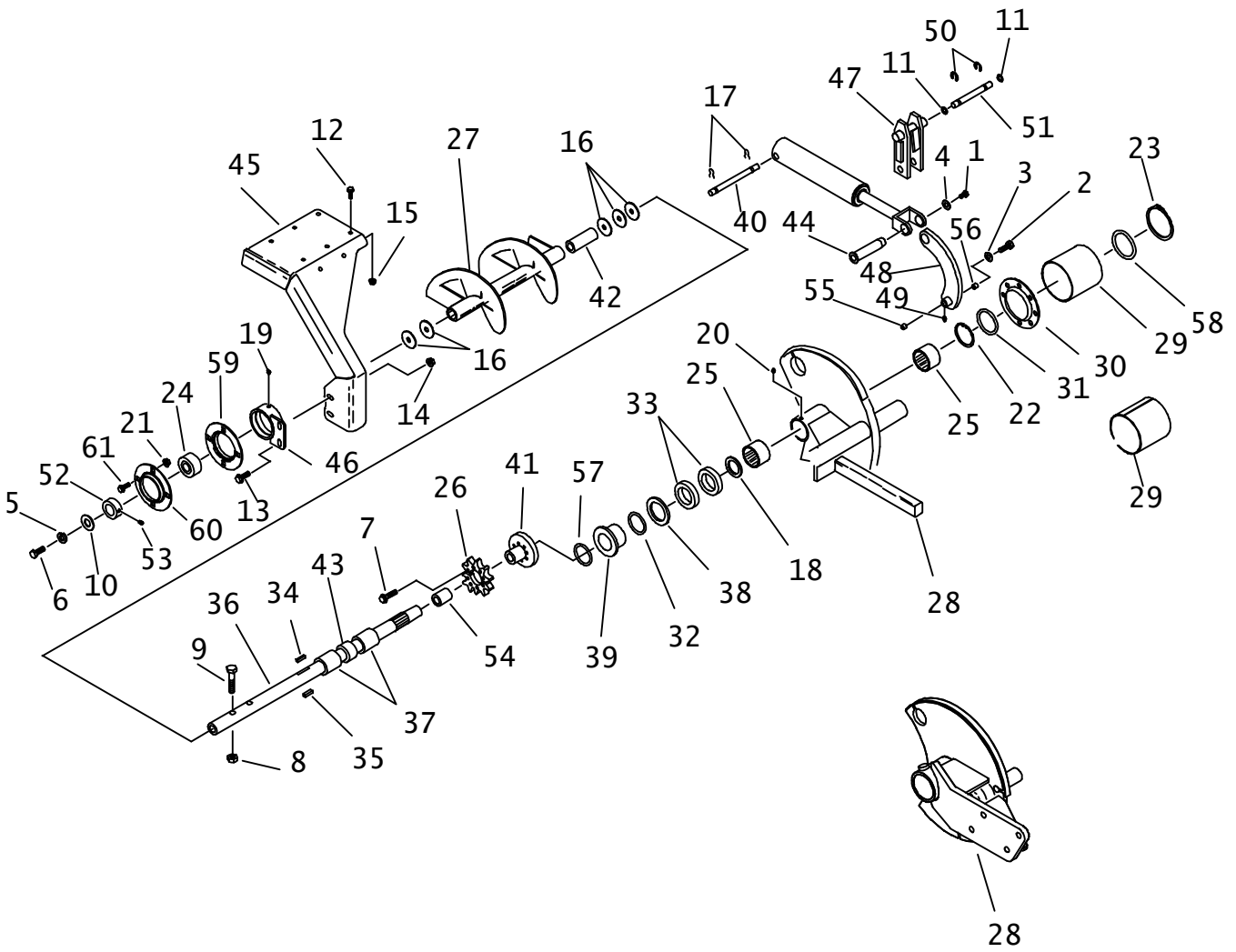
3610, 3700, 5700, RT36, RT40, RT45



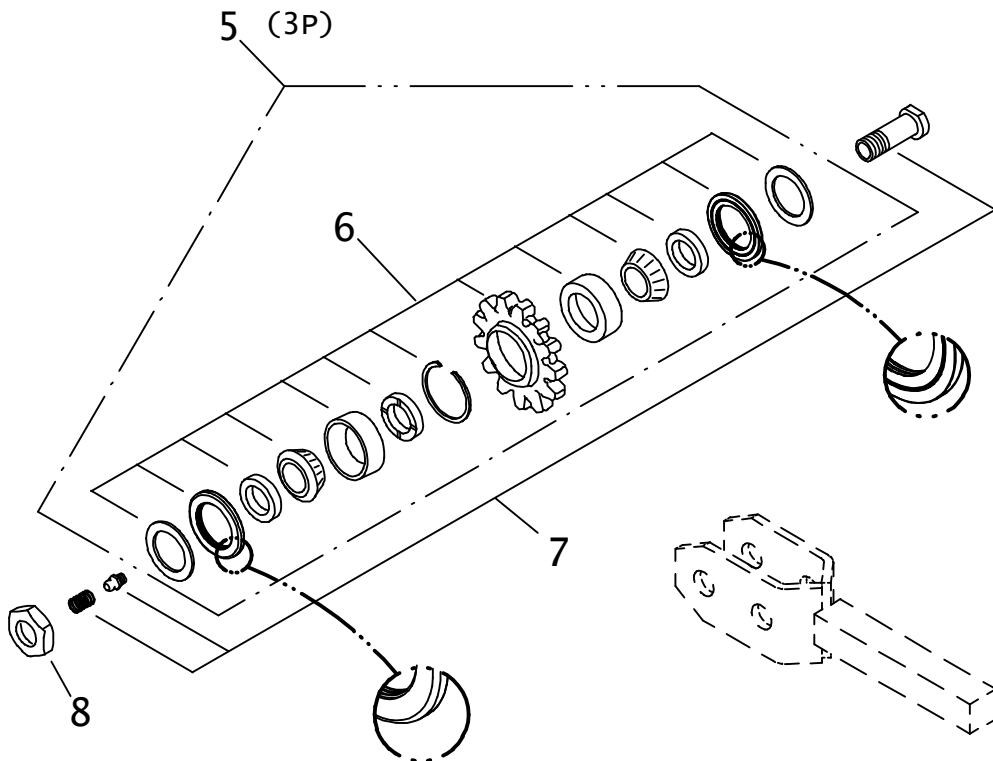
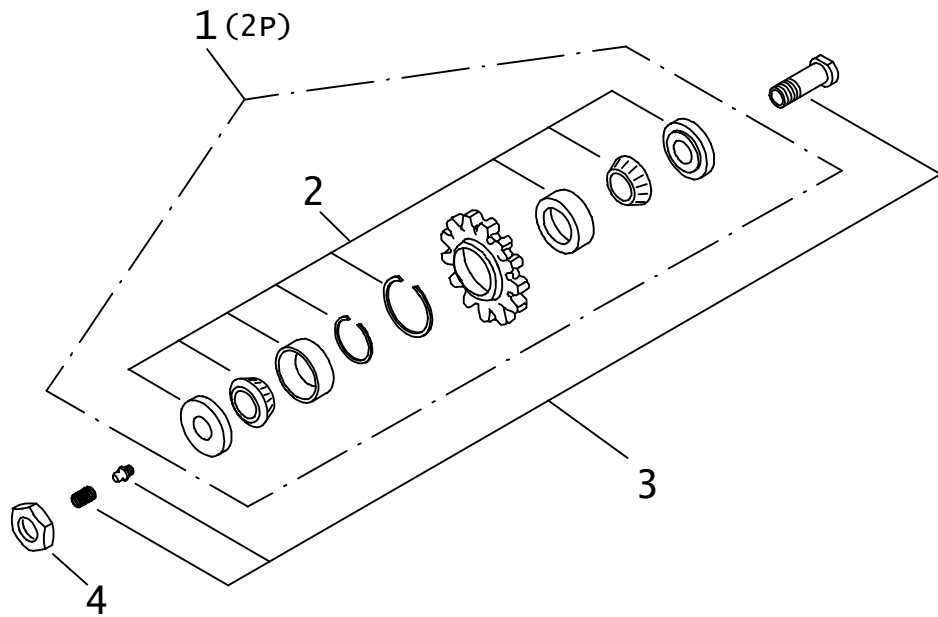
HYDRAULIC CYLINDER
2.0" ID BARREL X 1.00" OD ROD X 5.0" STROKE



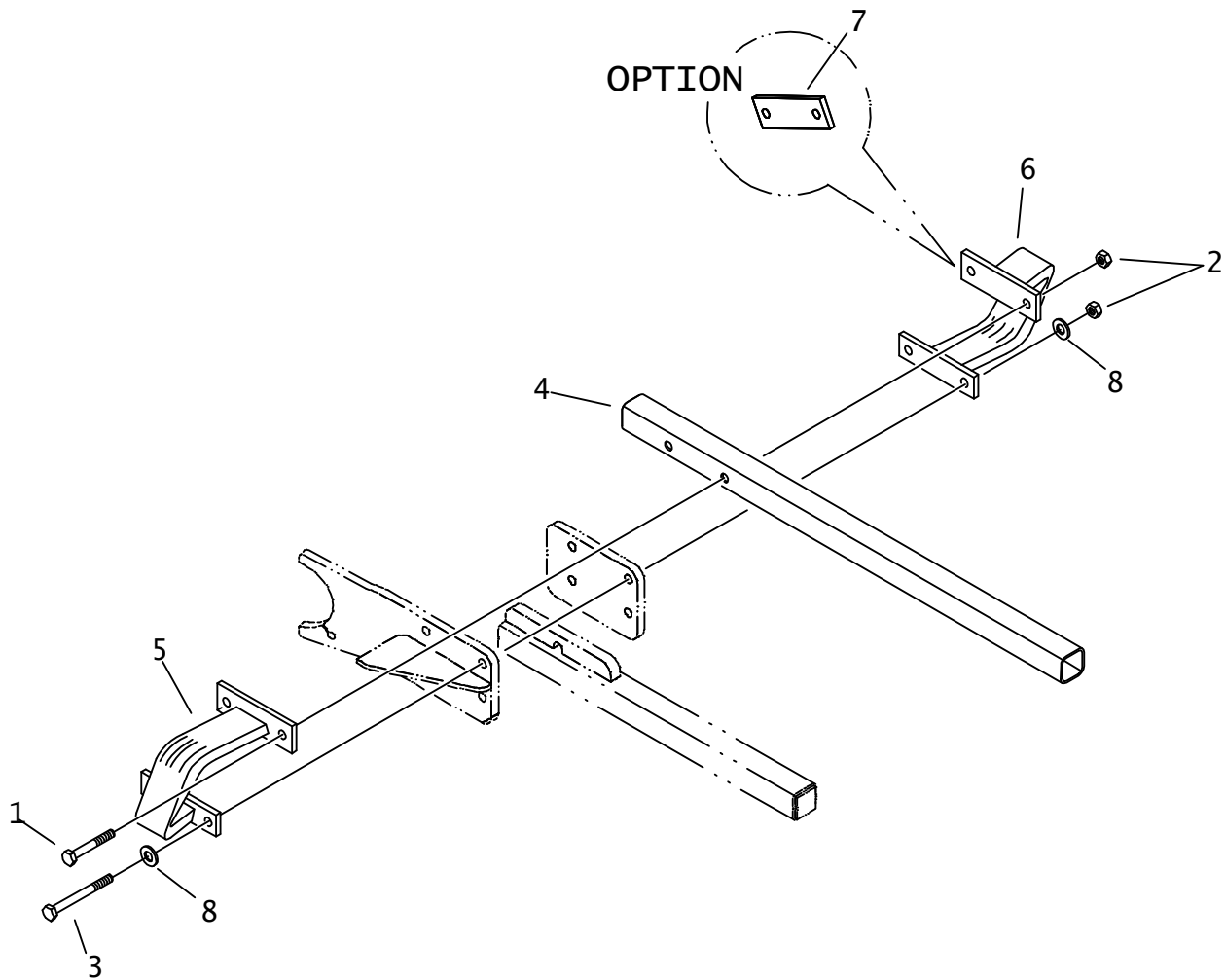
PIVOT



SPROCKET 2P & 3P

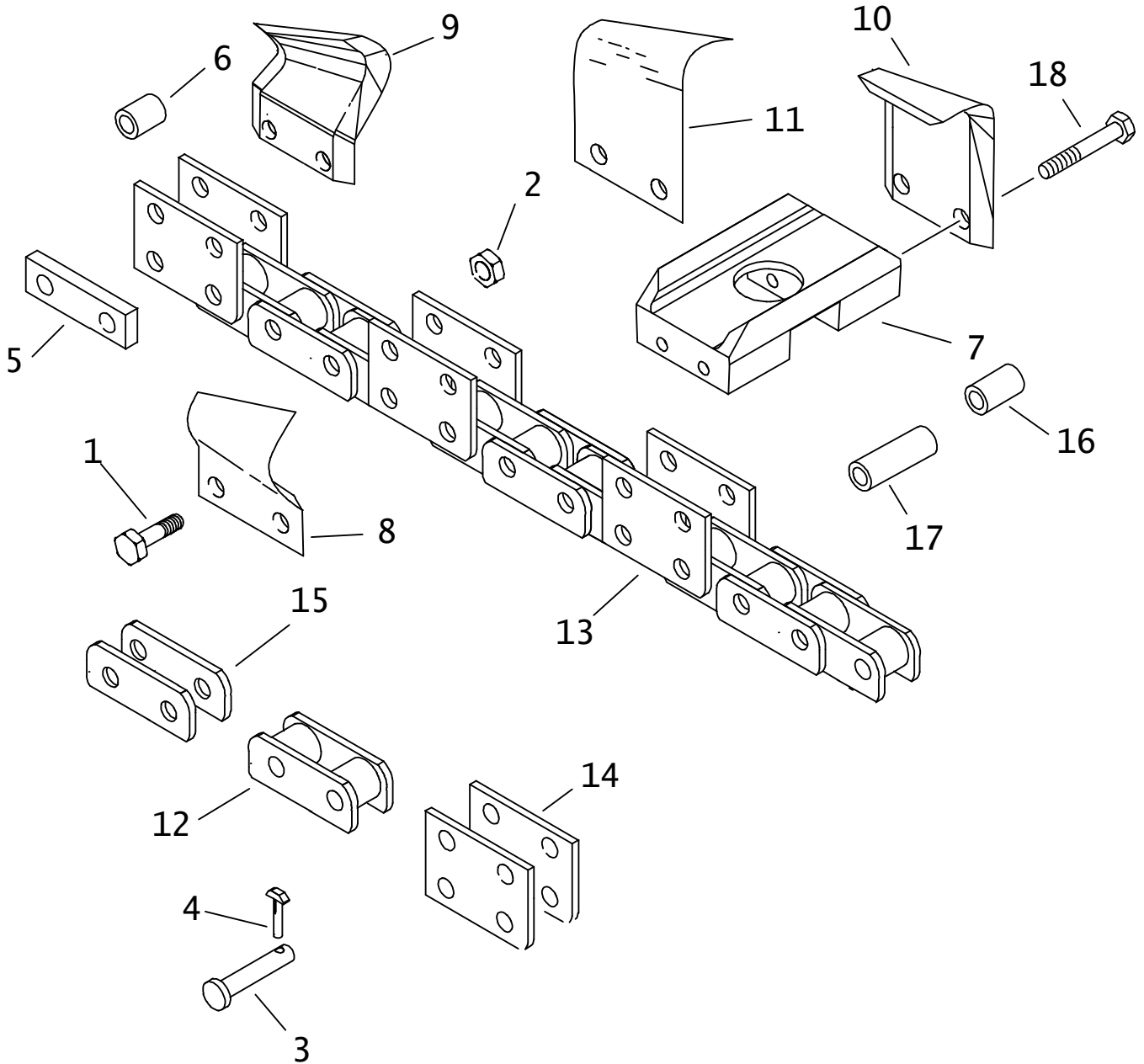


PERSONNEL RESTRAINT 2P

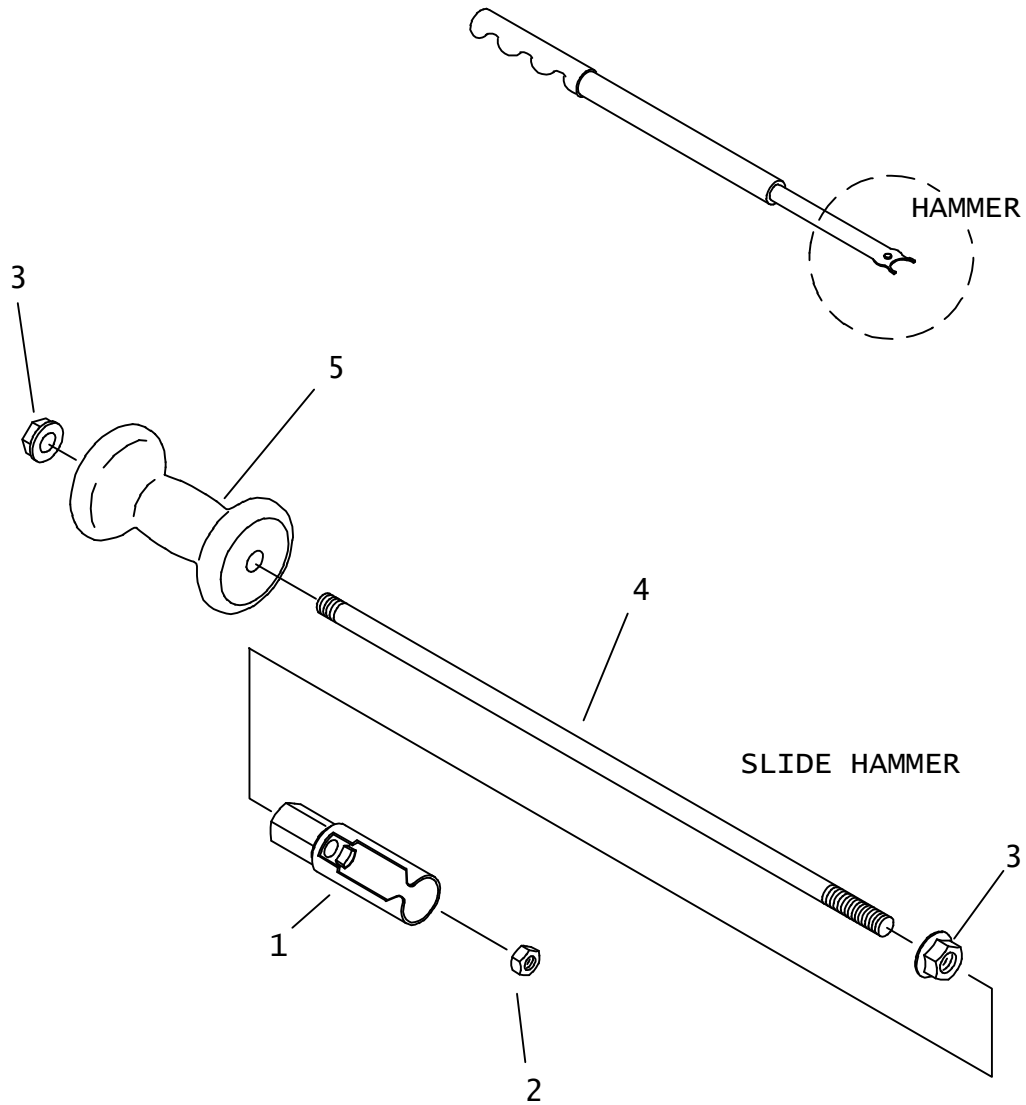


DIG CHAIN 2P50K4PS RR

4 PITCH SPACING-RAISED RIVET



SPECIAL TOOLS BIT PULLER FOR ALLIGATOR BITS



CLICK HERE TO **DOWNLOAD** THE COMPLETE MANUAL

- Thank you very much for reading the preview of the manual.
- You can download the complete manual from: www.heydownloads.com by clicking the link below



- Please note: If there is no response to CLICKING the link, please download this PDF first and then click on it.

CLICK HERE TO **DOWNLOAD** THE COMPLETE MANUAL