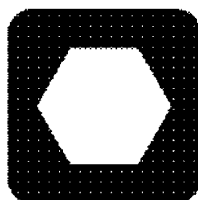


PT1010

Parts Manual



CLICK HERE TO **DOWNLOAD** THE COMPLETE MANUAL

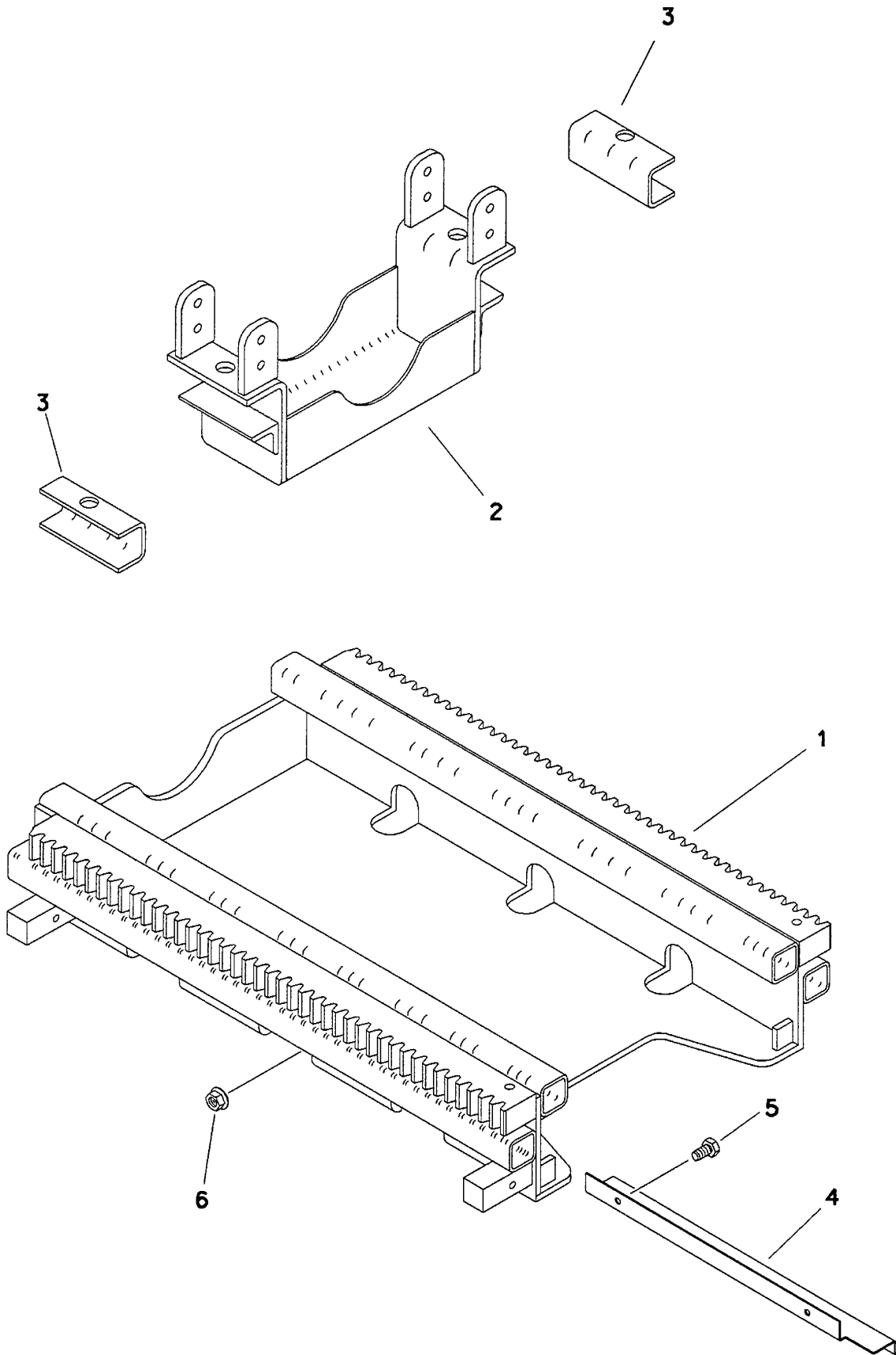
- Thank you very much for reading the preview of the manual.
- You can download the complete manual from: www.heydownloads.com by clicking the link below



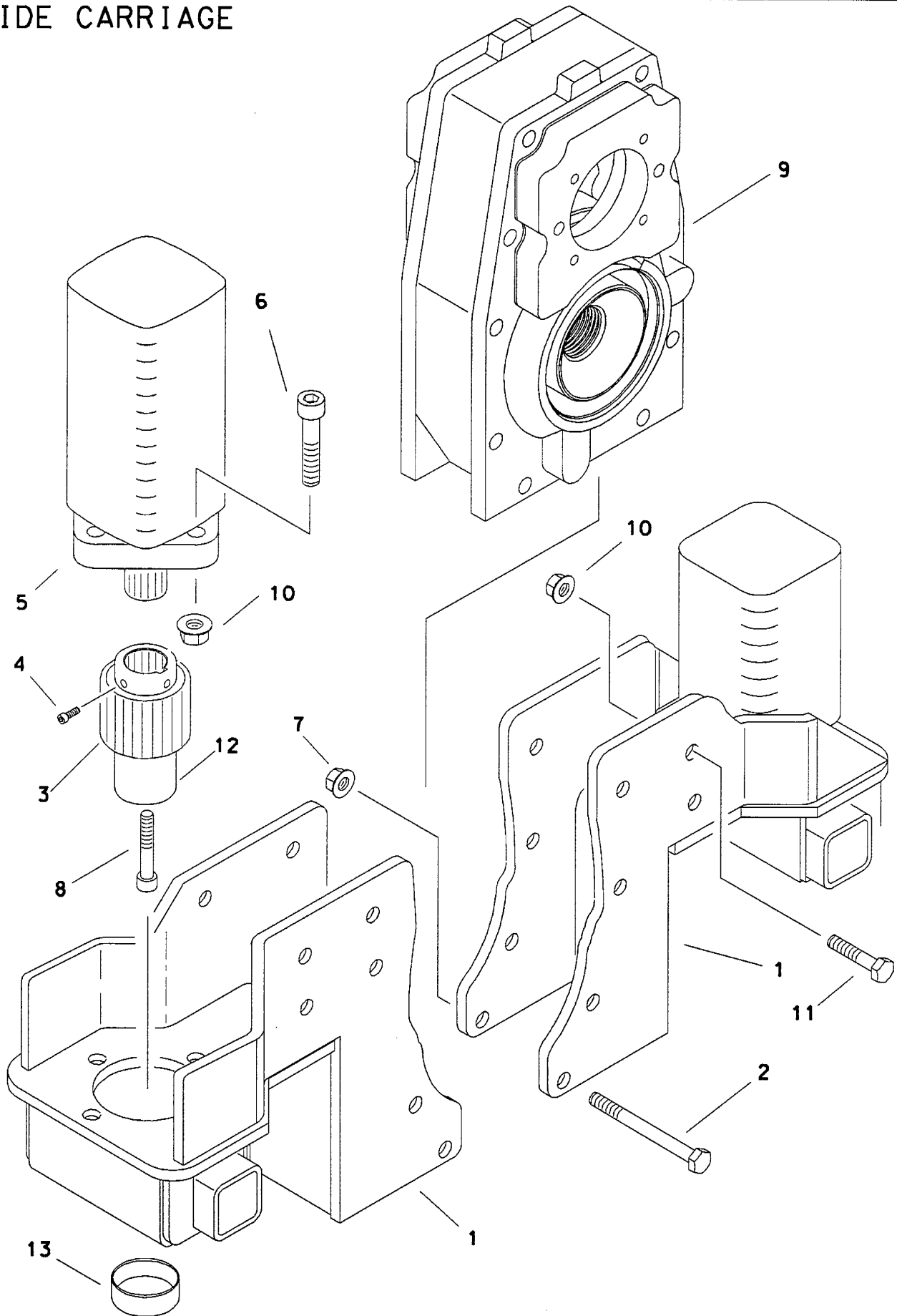
- Please note: If there is no response to CLICKING the link, please download this PDF first and then click on it.

CLICK HERE TO **DOWNLOAD** THE COMPLETE MANUAL

DRILL FRAME



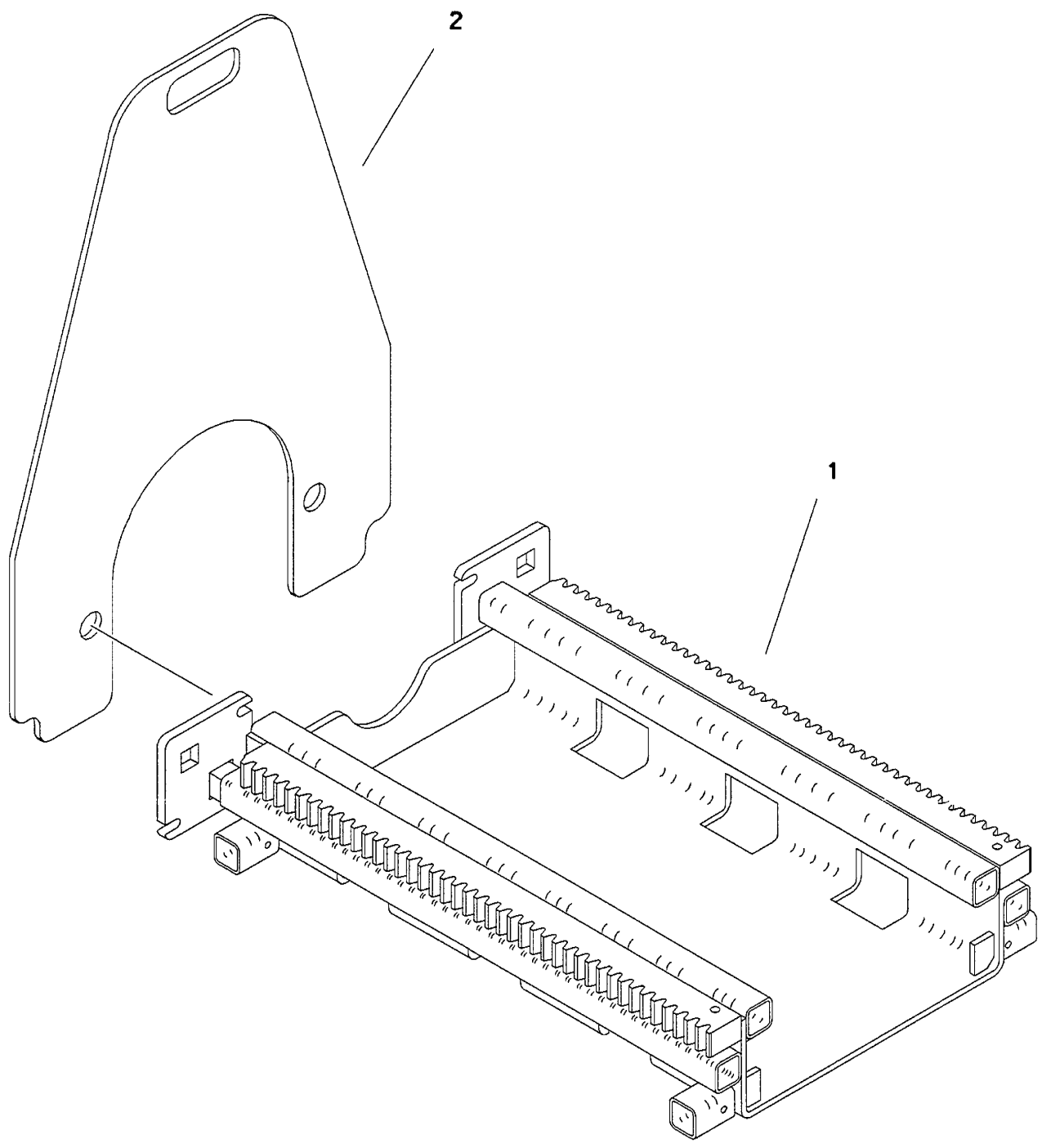
SLIDE CARRIAGE



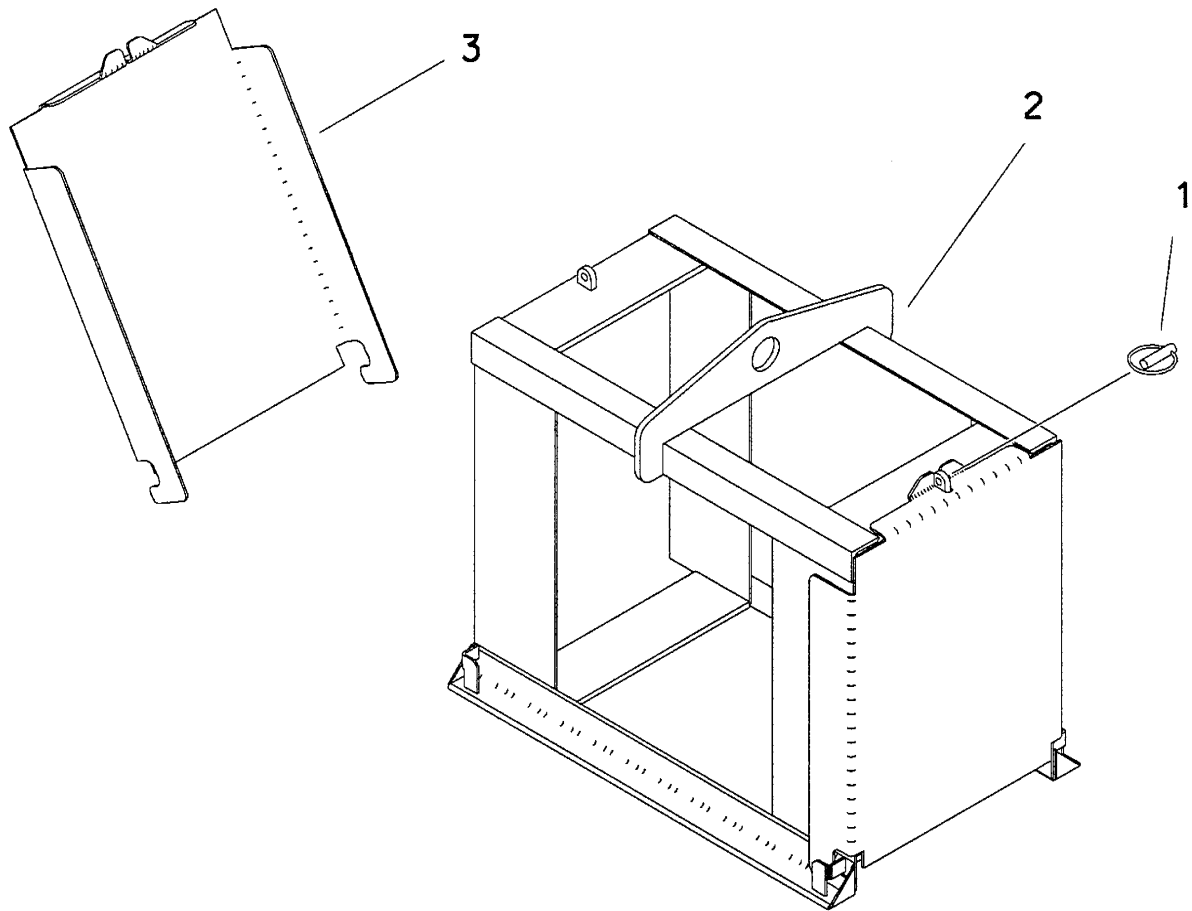
D

804-518

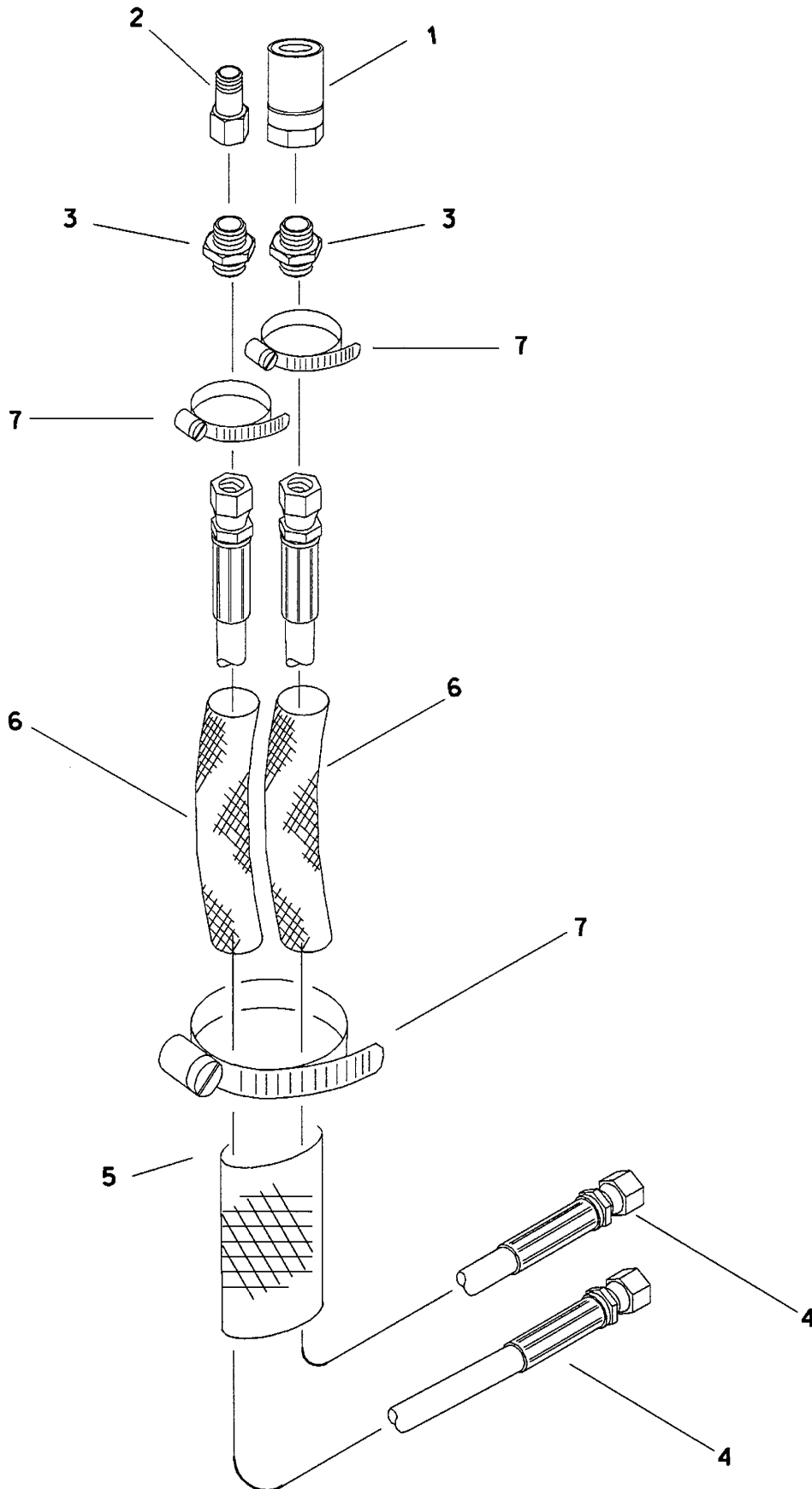
SAND PLATE



ROD BOX



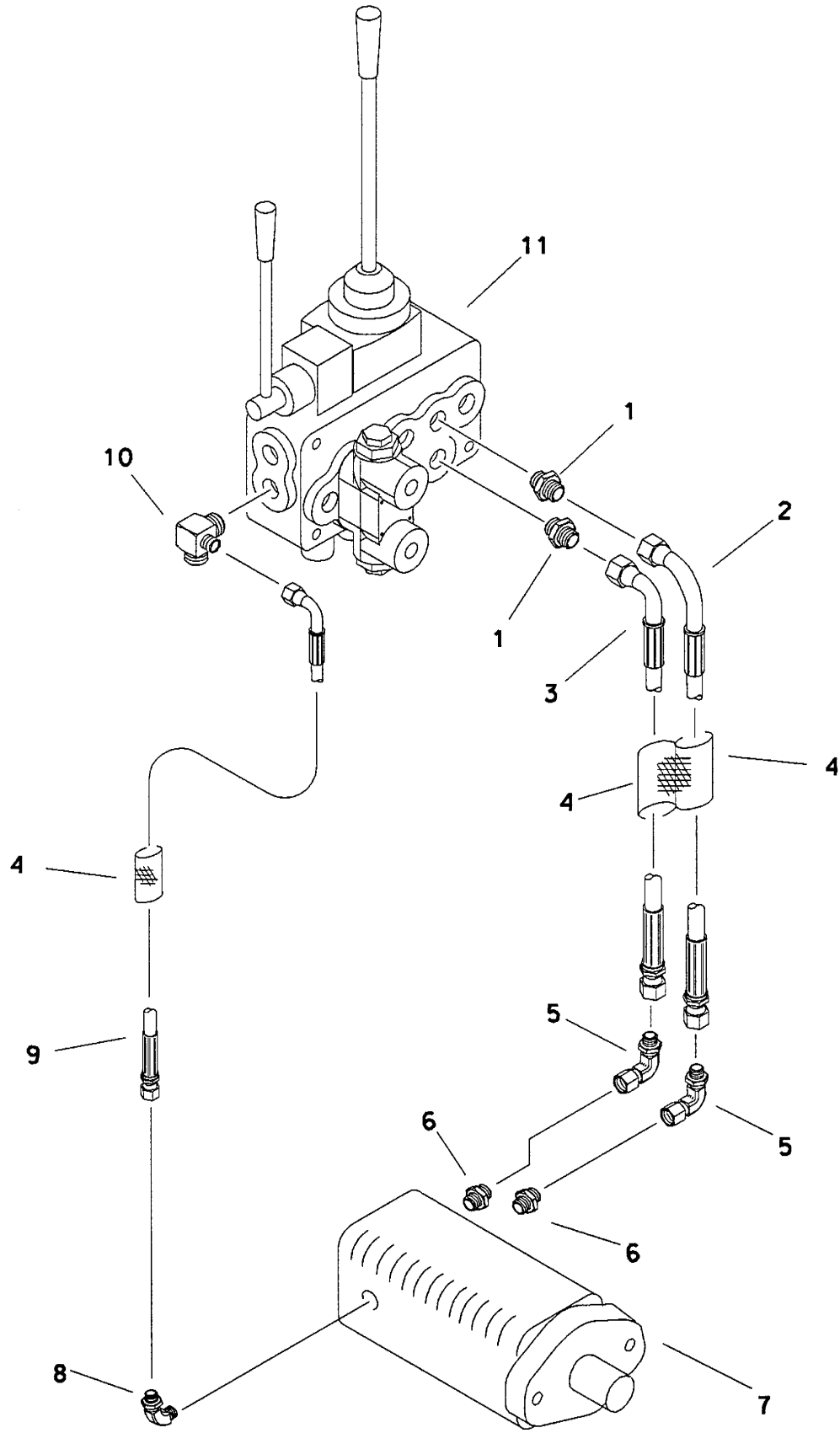
SUPPLY HOSE HYDRAULICS



D

805-168

ROTATION HYDRAULICS



B

805-113

CLICK HERE TO **DOWNLOAD** THE COMPLETE MANUAL

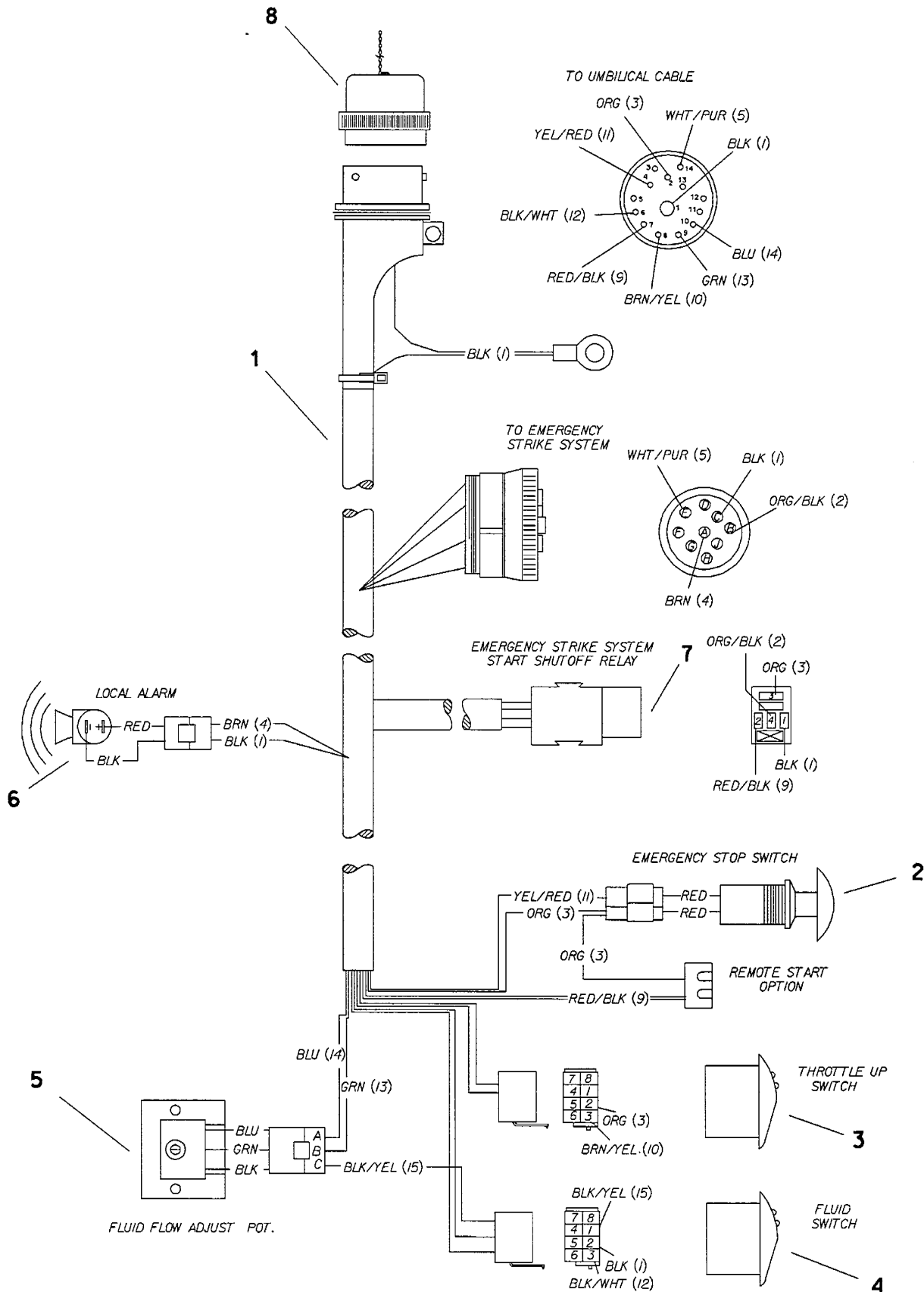
- Thank you very much for reading the preview of the manual.
- You can download the complete manual from: www.heydownloads.com by clicking the link below



- Please note: If there is no response to CLICKING the link, please download this PDF first and then click on it.

CLICK HERE TO **DOWNLOAD** THE COMPLETE MANUAL

ELECTRICAL DIAGRAM PT1010

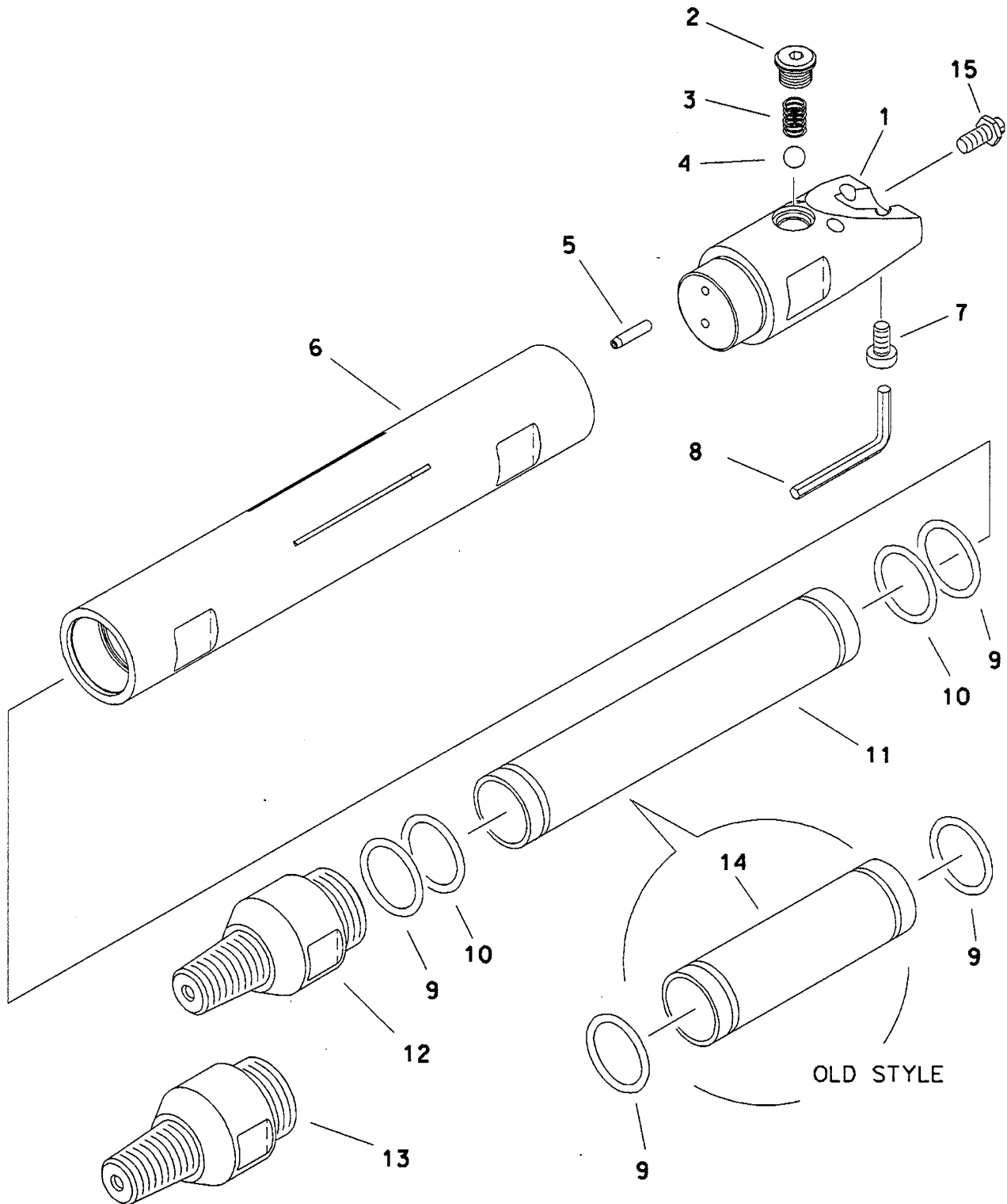


ELECTRICAL STRIKE SYSTEM

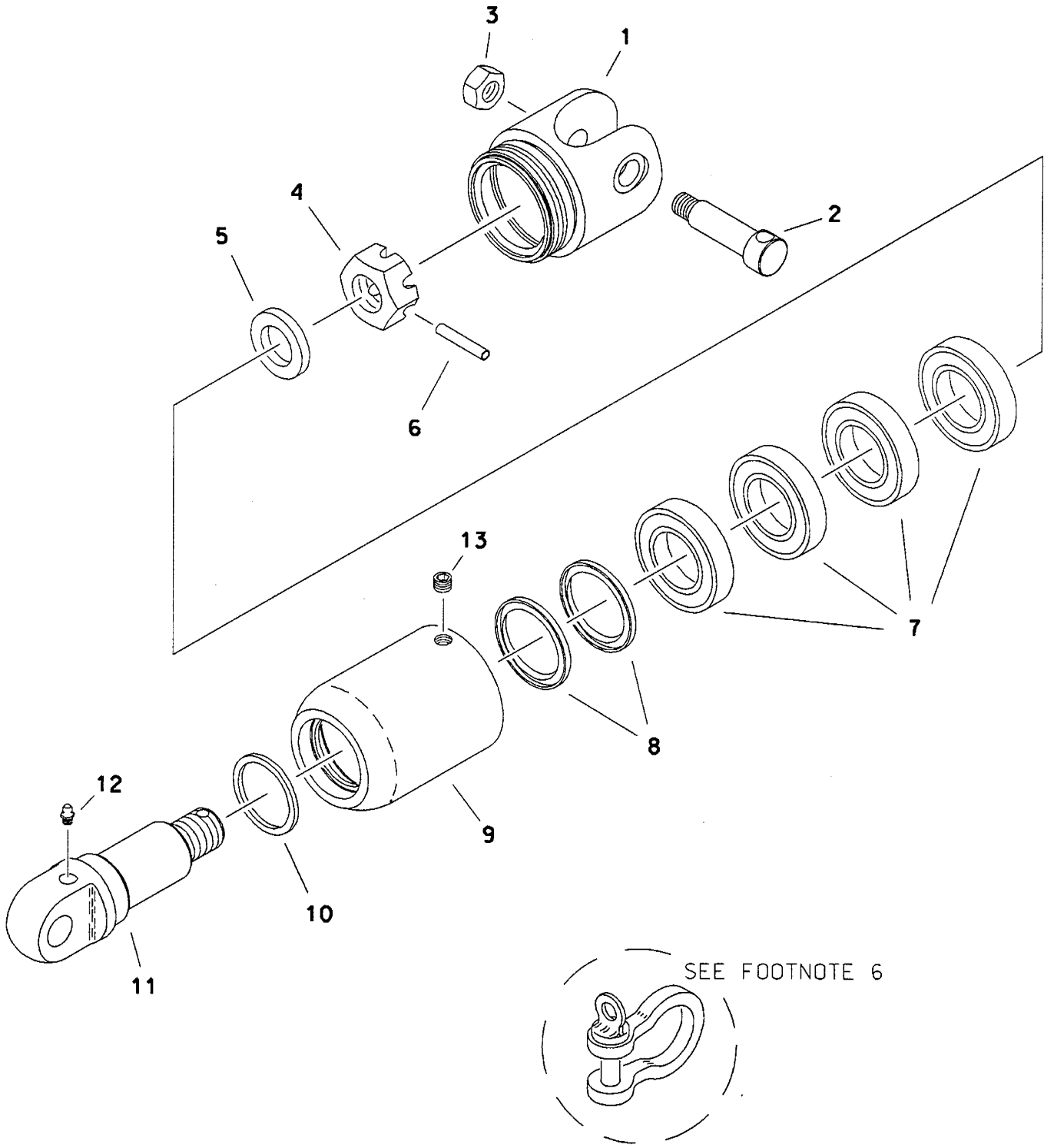
REF NO.	PART NUMBER	QTY	DESCRIPTION	REMARKS
1.	354-734	1	COVER PLATE	
2.	105-297	2	BOLT (1/4-NC X 3-1/4")	
3.	116-283	4	WASHER (.531", RUBBER)	
4.	214-300	1	CURRENT CABLE (3.6M)	
5.	214-025	1	CURRENT COIL CABLE (410mm)	
6.	106-308	3	SCREW (#4-40 X 1/2", PAN, BRASS)	
7.	106-277	3	NUT (#4-40, BRASS)	
8.	216-030	1	CONTROL MODULE	
9.	306-602	1	BACK-UP ALARM	
10.	215-771	2	GROUND RECEPTACLE	
11.	215-824	1	GRID (6')	
12.	215-790	2	GROUND CABLE (20')	
13.	216-032	1	VOLT LIMITER	
14.	215-799	1	VOLTAGE STAKE	
15.	183-658	12	MAT STAKE (15")	
16.	217-875	1	CURRENT TRANSFORMER	
17.	106-217	2	BOLT (1/4-NC X 1.00", SIL BRZ)	
18.	106-221	2	LOCK WASHER (1/4", SIL BRZ)	
19.	106-455	2	NUT (1/4-NC, SIL BRZ)	
20.	354-653	1	6' MAT	
21.	354-816	1	SHIELD	
22.	354-764	1	FORMED PANEL	
23.	354-613	1	REAR CONTROL BOX	
24.	106-640	4	BOLT (M6-1.00 X 20MM, BUT SOC)	
25.	106-353	4	FLG NUT (M6-1.00)	
26.	106-162	2	FLG SCREW (M8-1.25 X 20MM)	
27.	106-386	2	FLG LOCKNUT (M8-1.25)	

FOOTNOTES

BEACON HOUSING

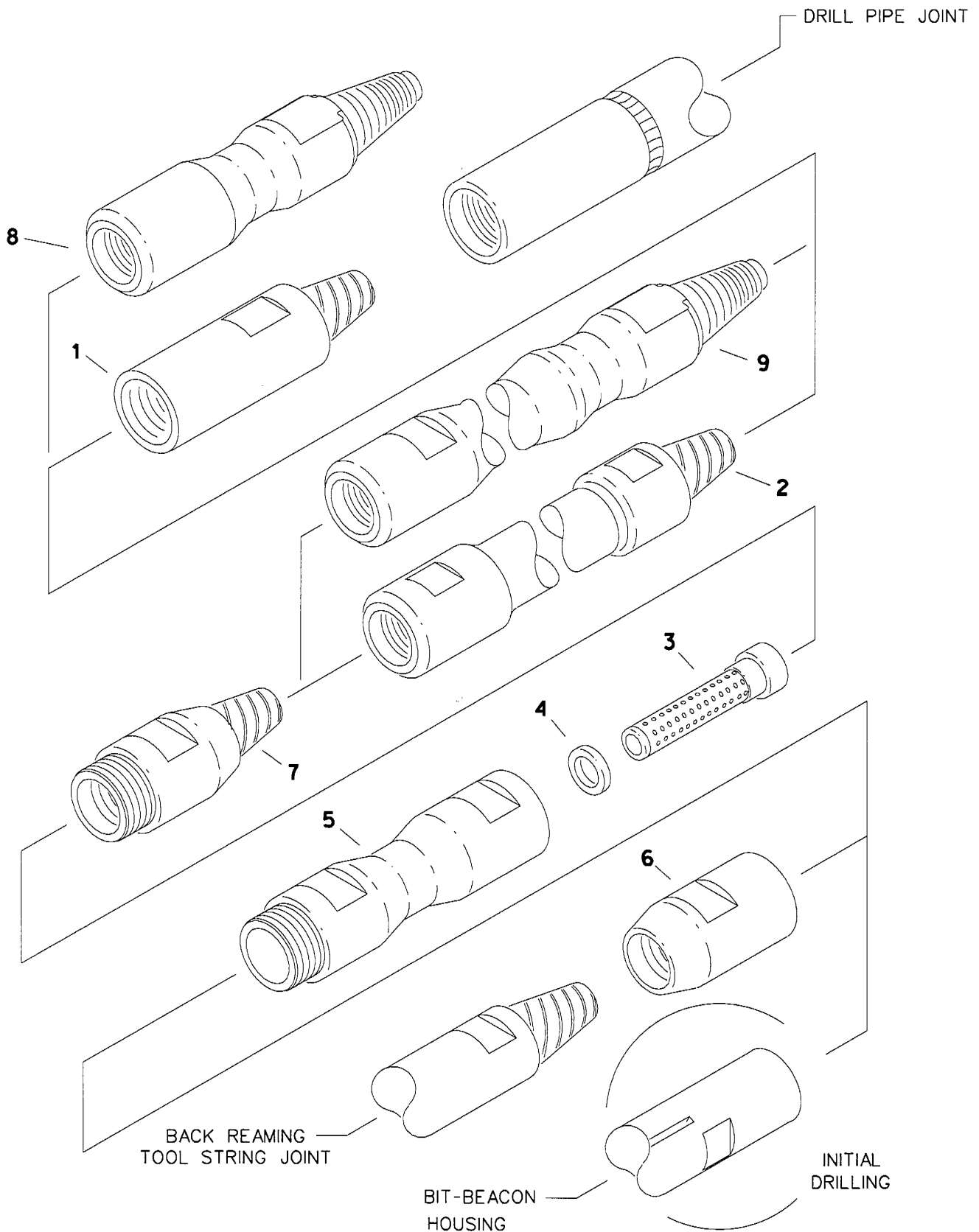


SWIVEL
10,000#

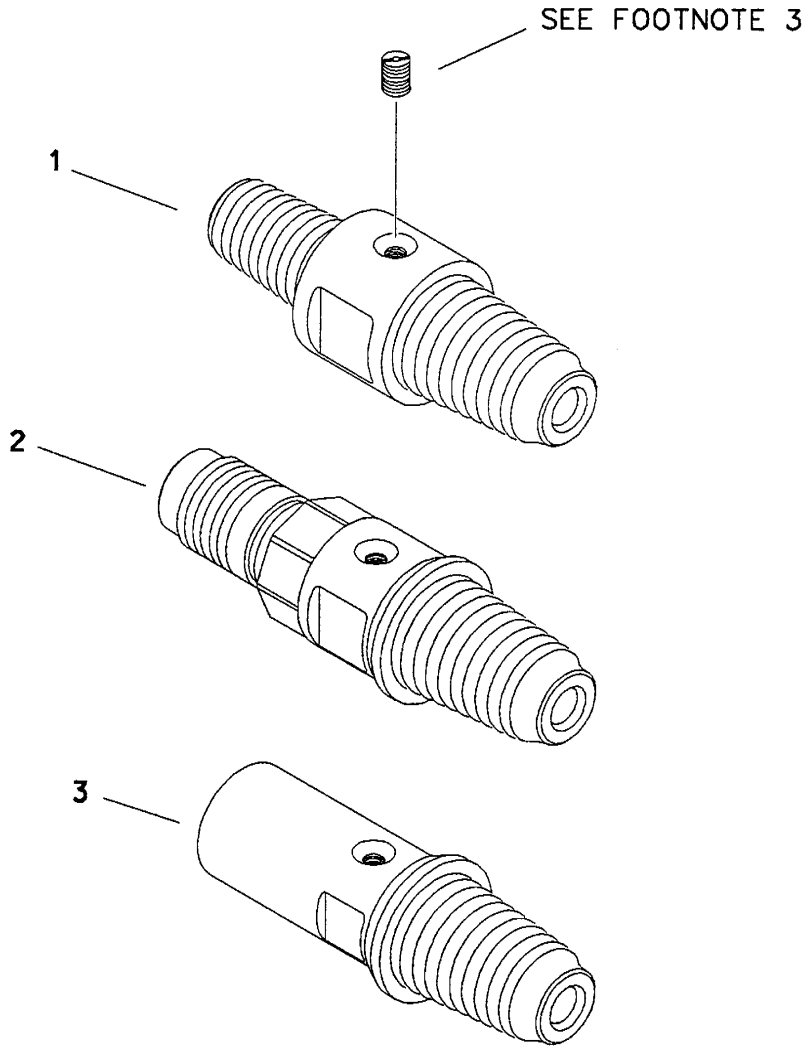


DRILLING CONNECTIONS

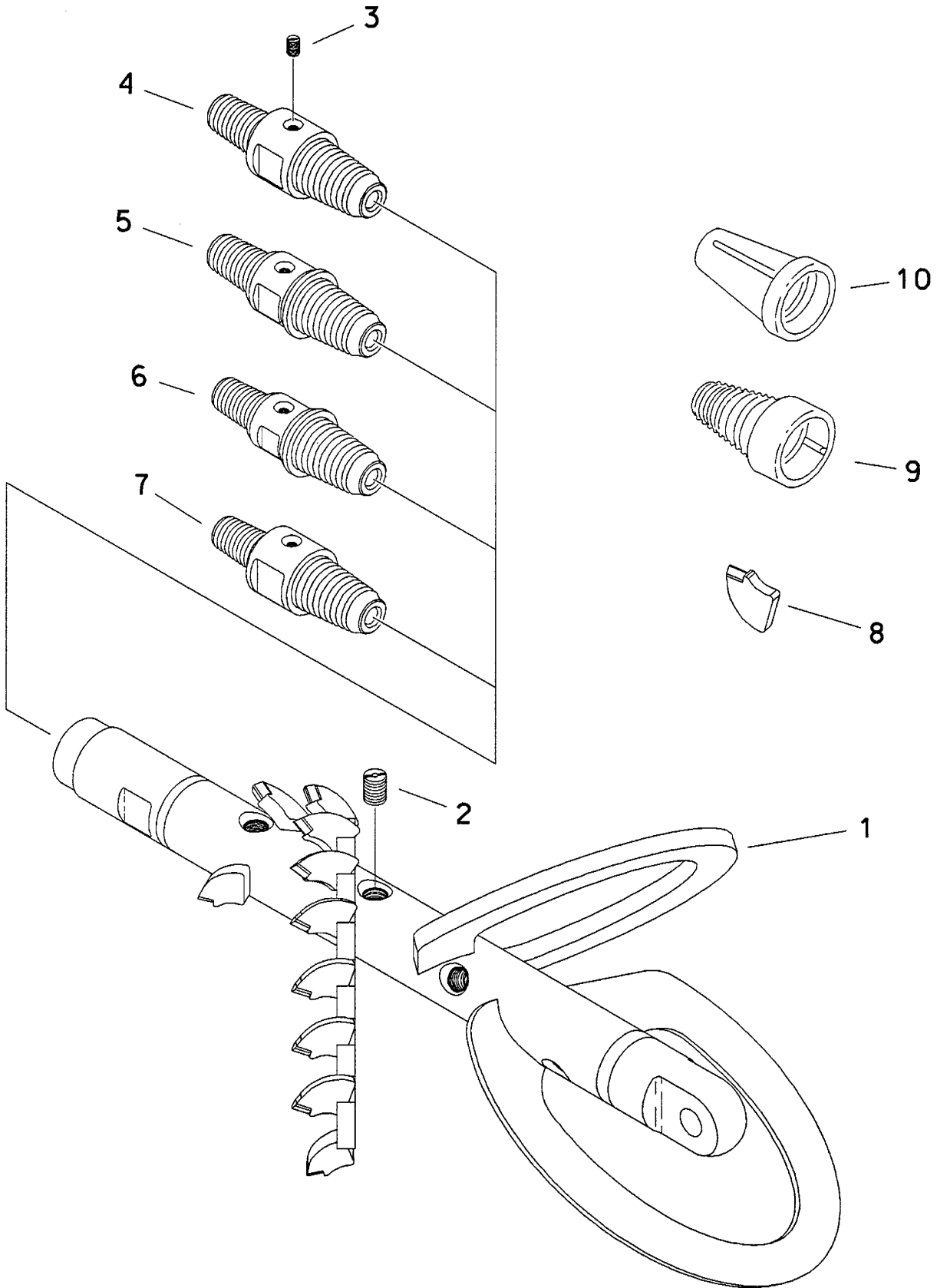
980 ft-lb (1333 N-m) & SMALLER



MODULAR-MATIC ADAPTERS



BEAVER TAIL BACKREAMER
2.75" SHAFT



CLICK HERE TO **DOWNLOAD** THE COMPLETE MANUAL

- Thank you very much for reading the preview of the manual.
- You can download the complete manual from: www.heydownloads.com by clicking the link below



- Please note: If there is no response to CLICKING the link, please download this PDF first and then click on it.

CLICK HERE TO **DOWNLOAD** THE COMPLETE MANUAL