

M910/M912

H910/H911

Parts

Manual



CLICK HERE TO **DOWNLOAD** THE COMPLETE MANUAL

- Thank you very much for reading the preview of the manual.
- You can download the complete manual from: www.heydownloads.com by clicking the link below



- Please note: If there is no response to CLICKING the link, please download this PDF first and then click on it.

CLICK HERE TO **DOWNLOAD** THE COMPLETE MANUAL

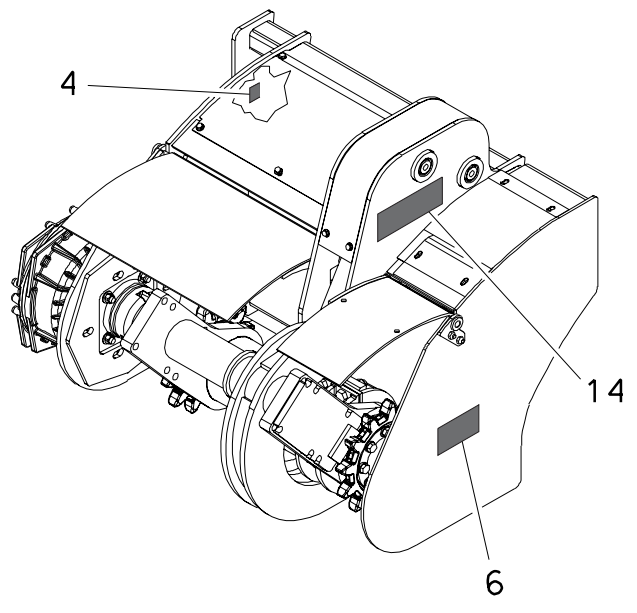
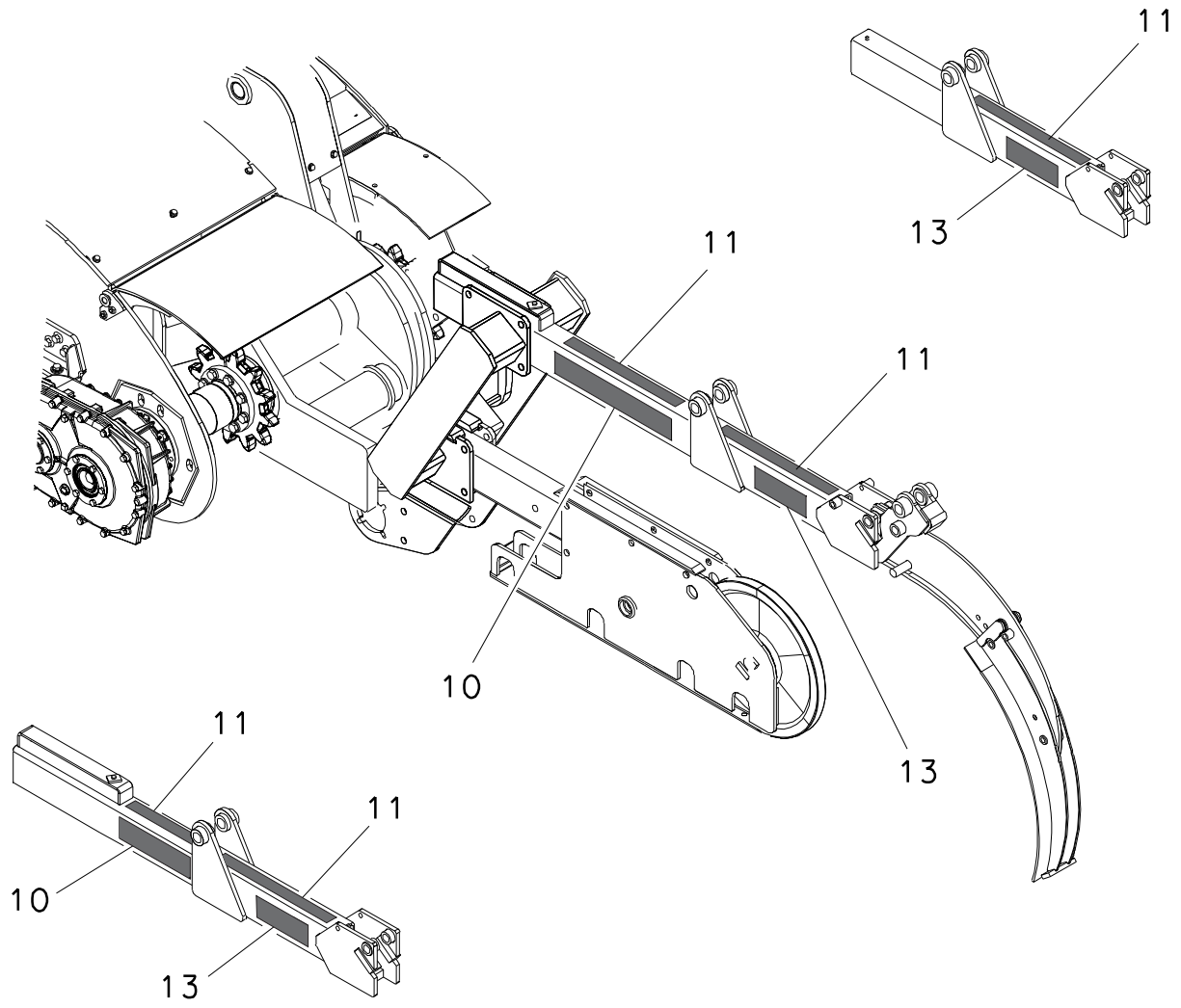
DECAL LOCATION

M910

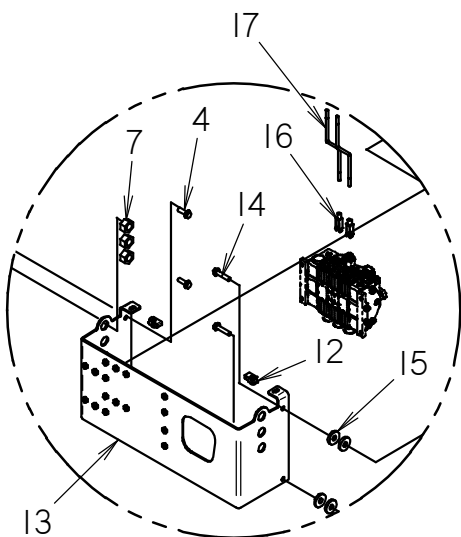
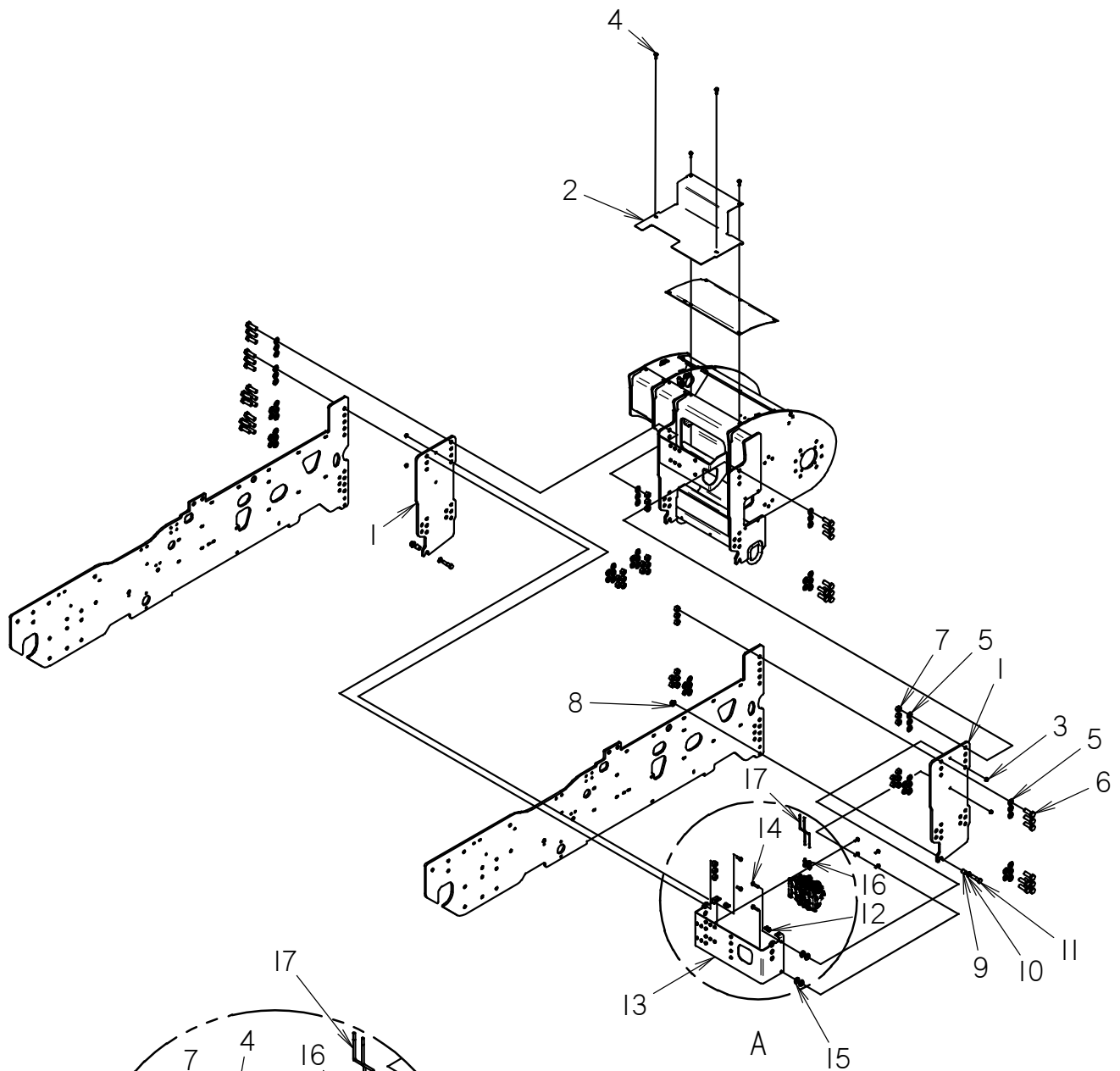
REF NO.	PART NUMBER	QTY	DESCRIPTION	REMARKS
	275-845		DECAL KIT - M910	
1	274-002	2	DANGER CHAIN AND AUGER	
2	274-318	2	TIE DOWN LOCATION	
3	273-162	2	M910 MODEL-ID	(OLD STYLE)
	270-6370	2	M910 MODEL-ID	(NEW STYLE)
4	275-043	1	CHAIN TENSION	
5	273-164	1	DIGGING ATTACH CONTROL VALVE	
6	275-230	2	DANGER STRIPE (1.75" X 18")	
7	275-231	6	DANGER STRIPE (2.75" X 18")	
8	275-232	2	DANGER (1.75" X 18")	
9	275-233	2	DANGER (2.75" X 18")	
10	274-442	2	LIFT LOCATION	
11	700-058	4	DANGER STRIPE (2.75" X 8")	
12	275-097	1	DANGER CHAIN AND AUGER	
13	275-023	1	OIL LEVEL	

FOOTNOTES

DECAL LOCATION M912

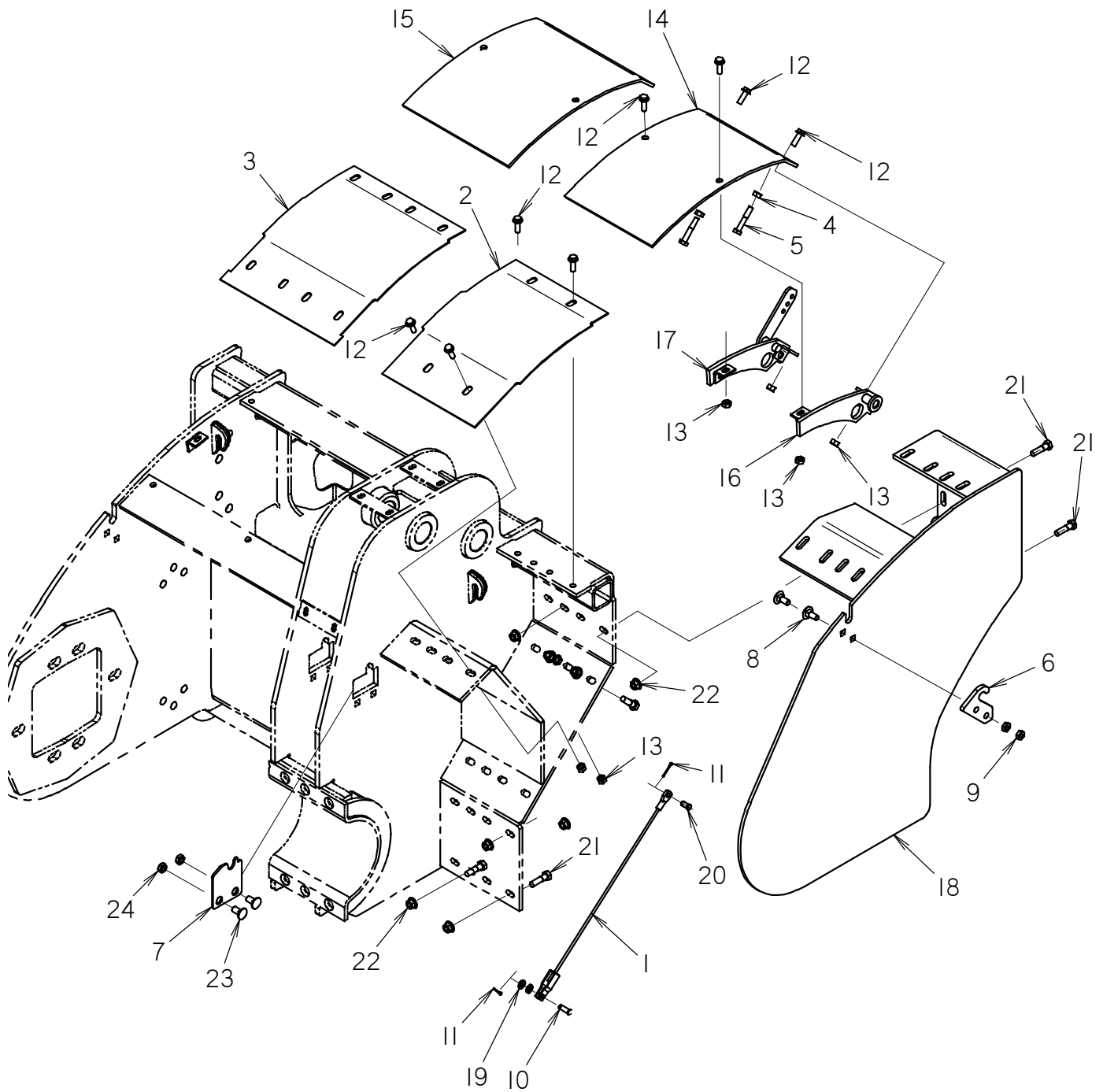


HT115 - H910 ADAPTER

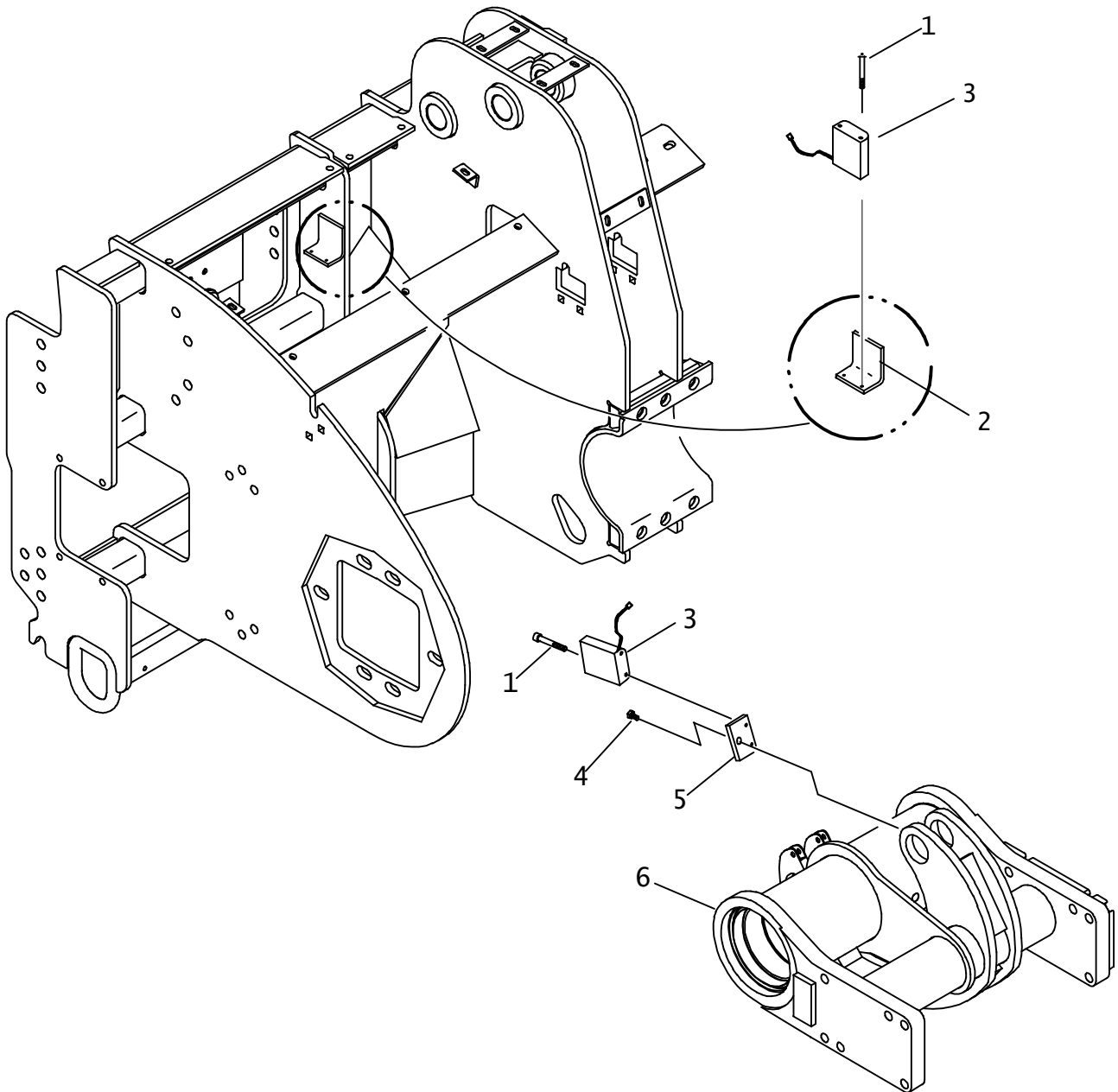


DETAIL A

SPOILS DOOR OFFSET M912

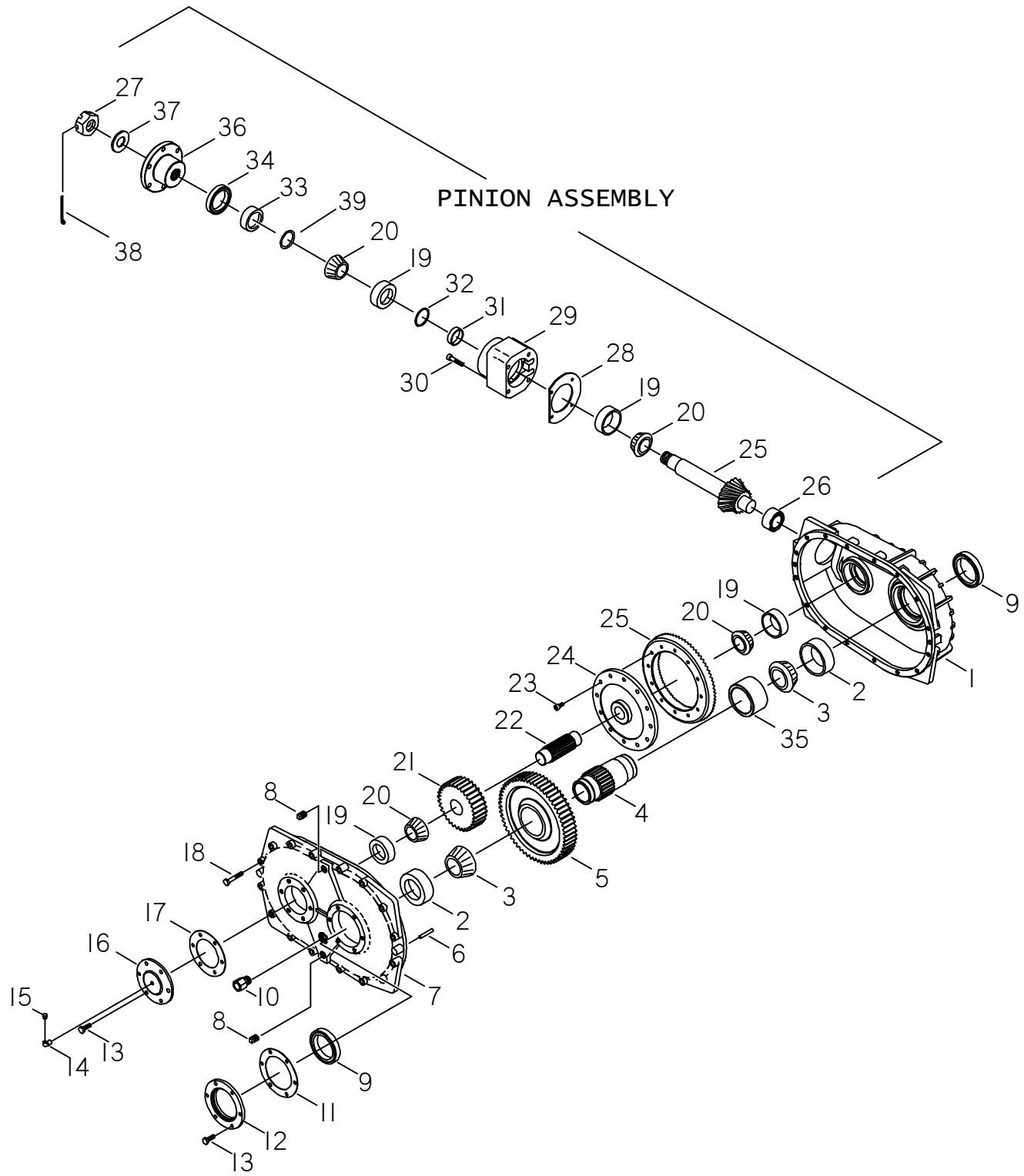


ATTACHMENT SENSOR MOUNT M912



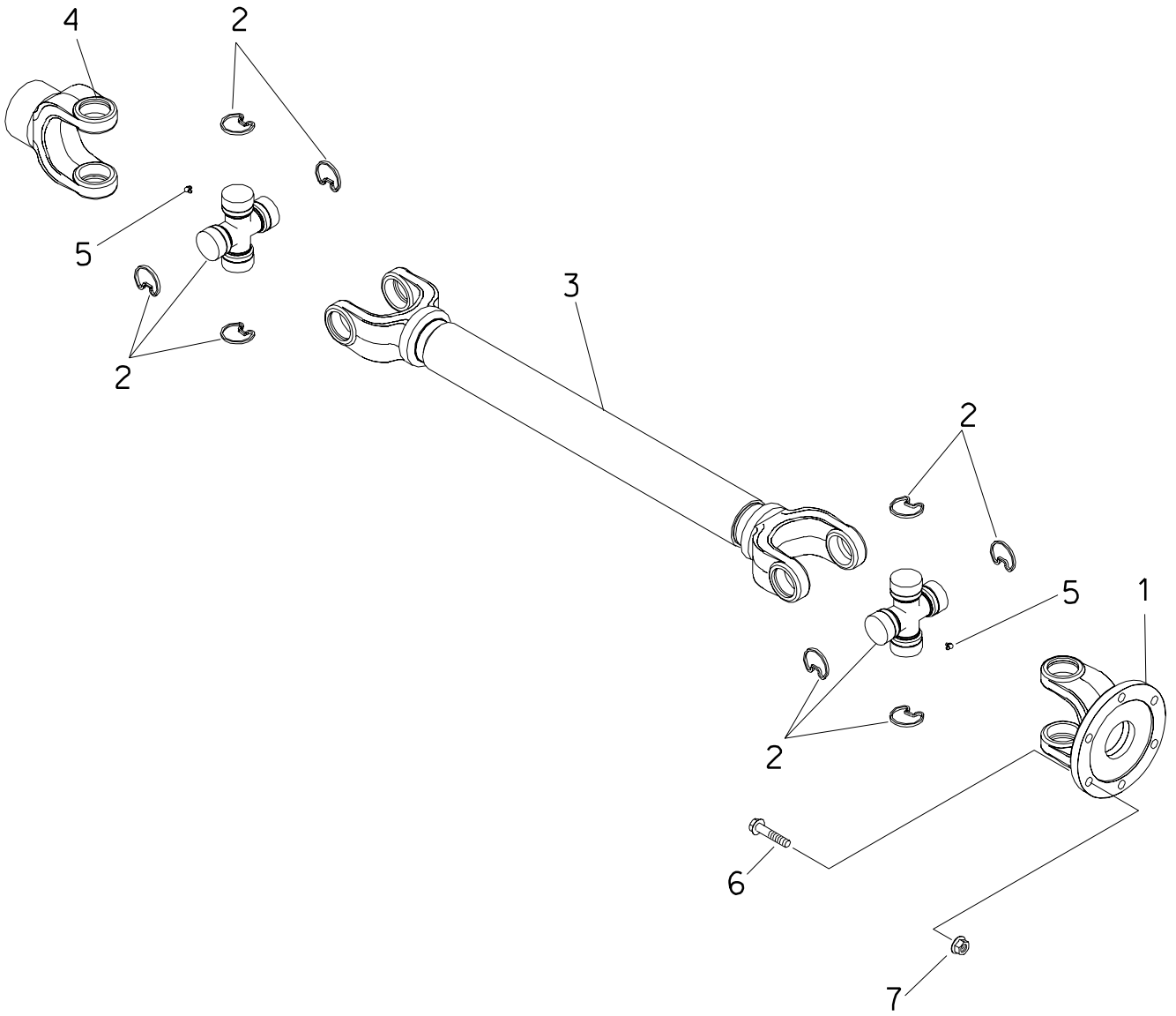
MECHANICAL GEARBOX

M910, M912, DT100M, CT100M



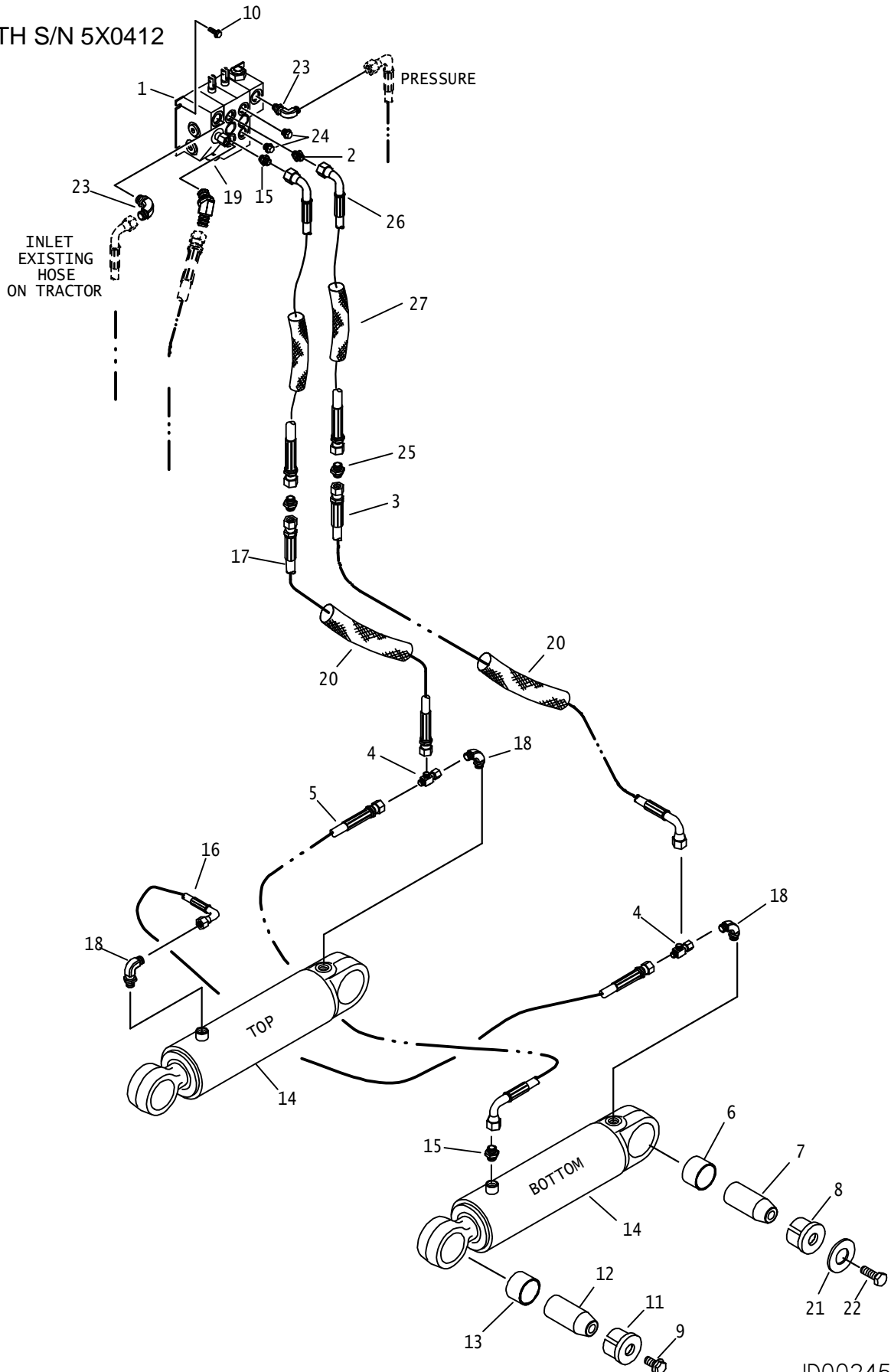
DRIVELINE ASSEMBLY

M910/M912



LIFT HYDRAULICS

M910, H910
BEGINS WITH S/N 5X0412



CLICK HERE TO **DOWNLOAD** THE COMPLETE MANUAL

- Thank you very much for reading the preview of the manual.
- You can download the complete manual from: www.heydownloads.com by clicking the link below

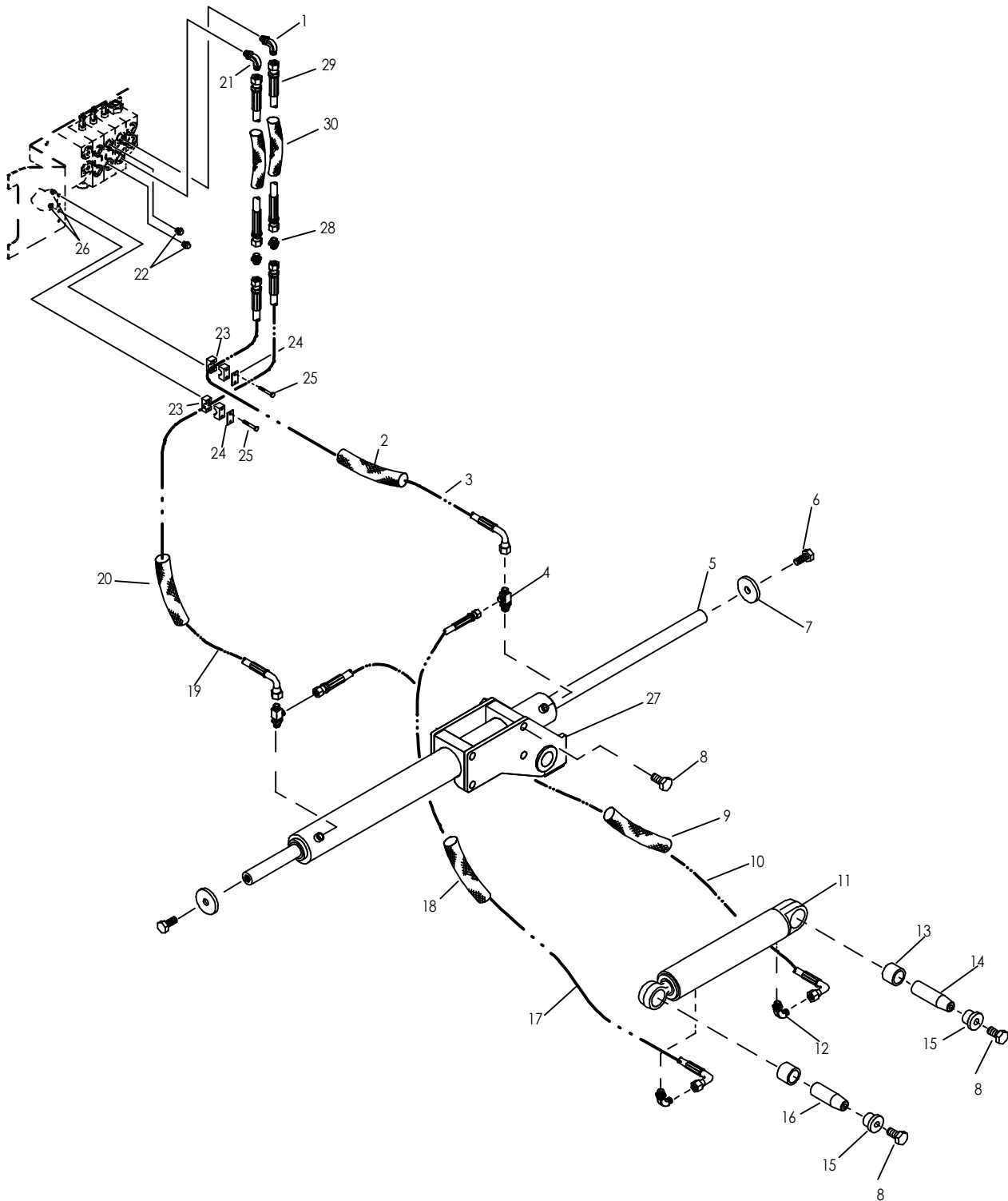


- Please note: If there is no response to CLICKING the link, please download this PDF first and then click on it.

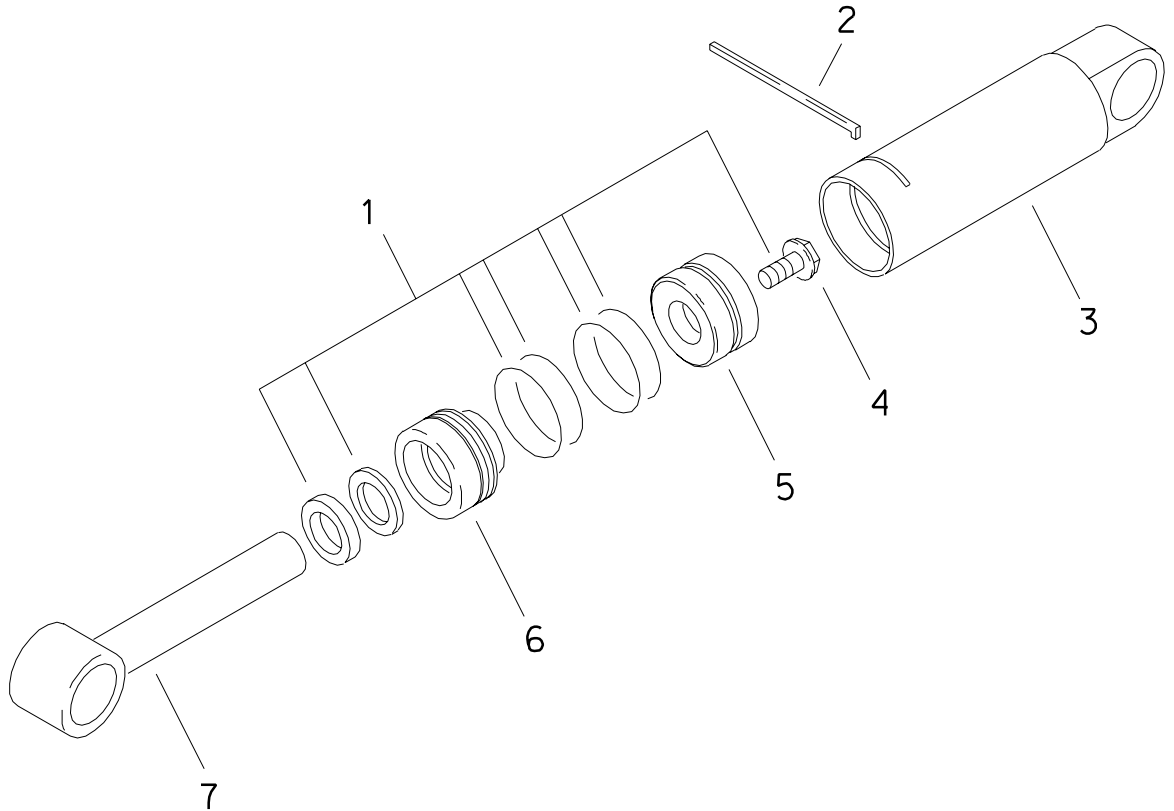
CLICK HERE TO **DOWNLOAD** THE COMPLETE MANUAL

TRAVERSE SLIDE HYDRAULICS

H911



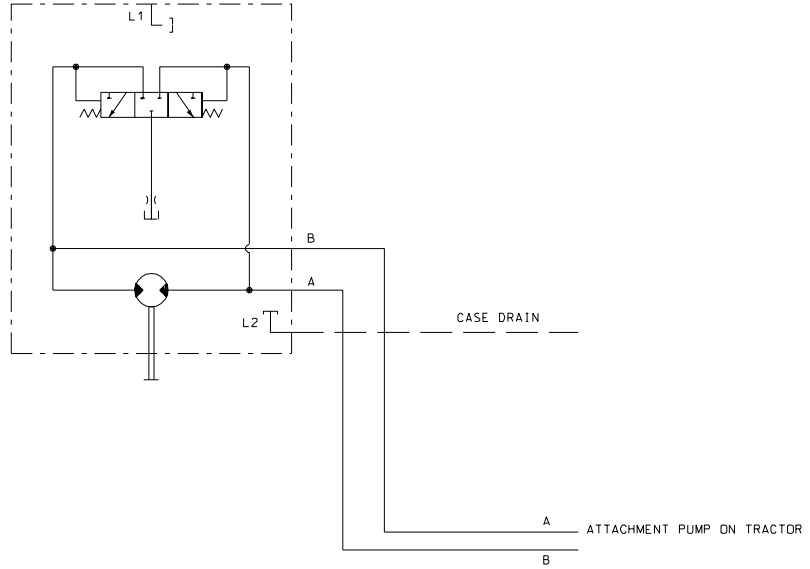
HYDRAULIC CYLINDER 2.0" X 1.25" X 12.0"



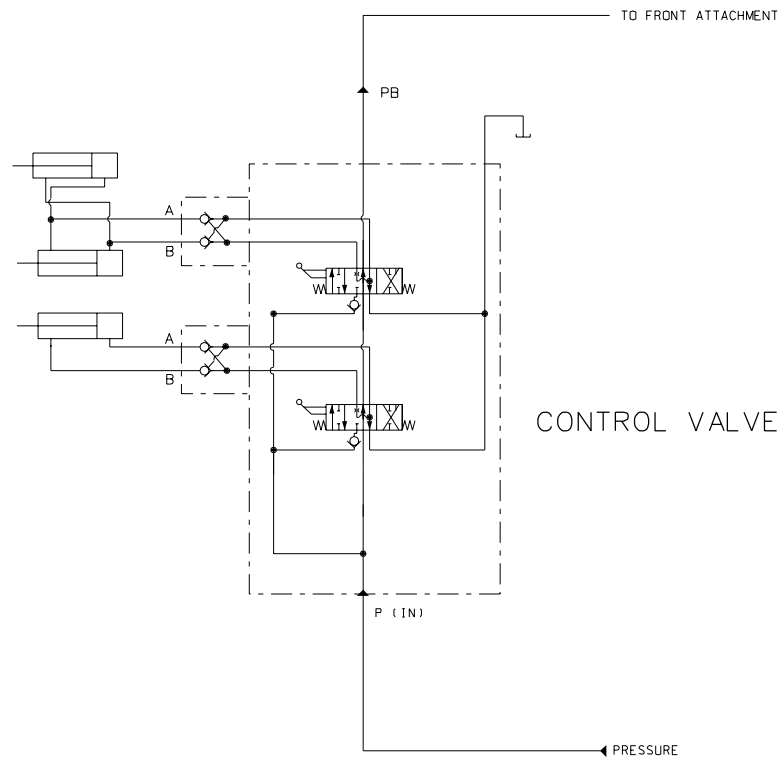
HYDRAULIC DIAGRAM

M910/H910/M912

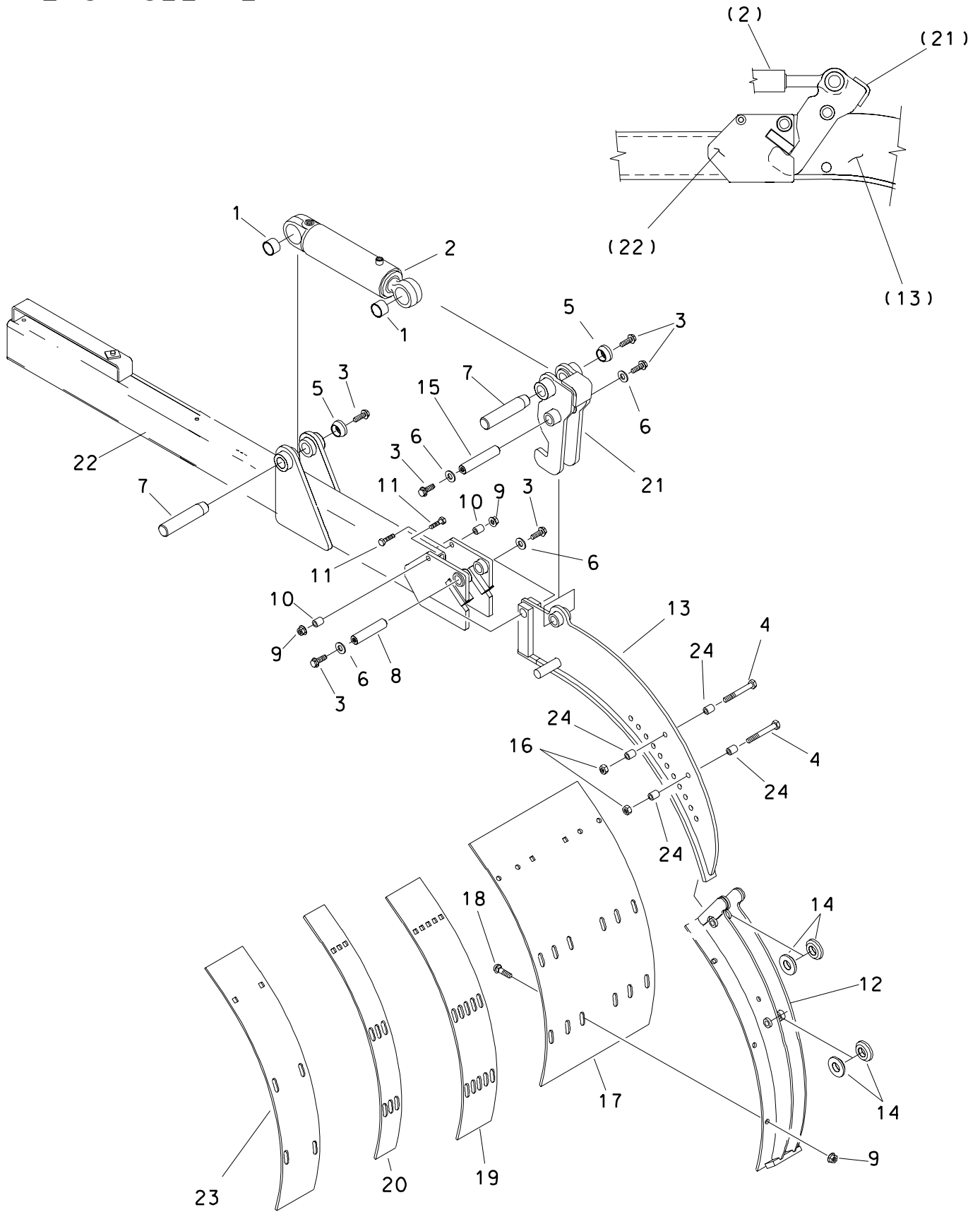
TRENCHER MOTOR
(H910 ONLY)



BOOM LIFT
TRENCH CLEANER

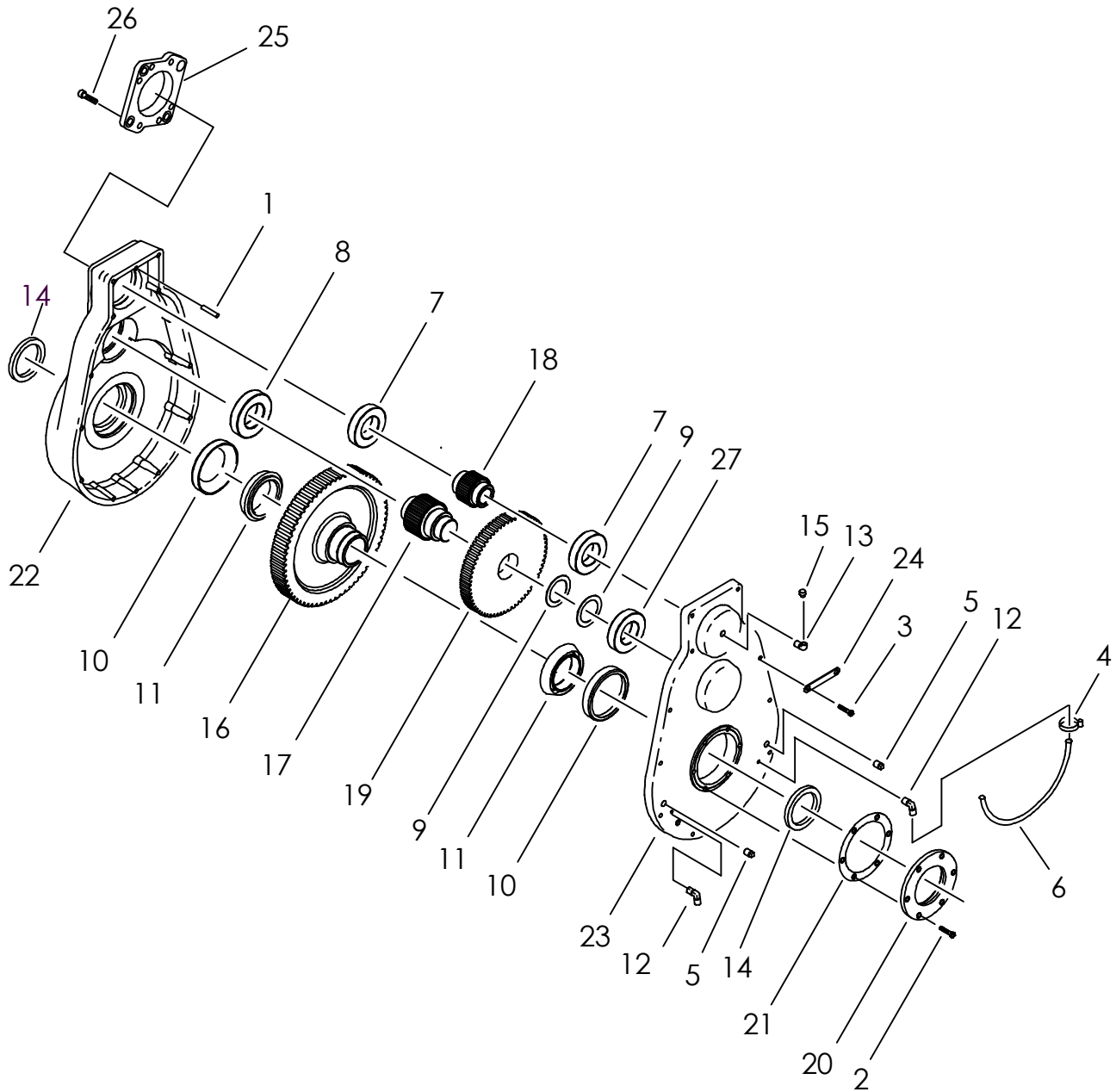


TRENCH CLEANER



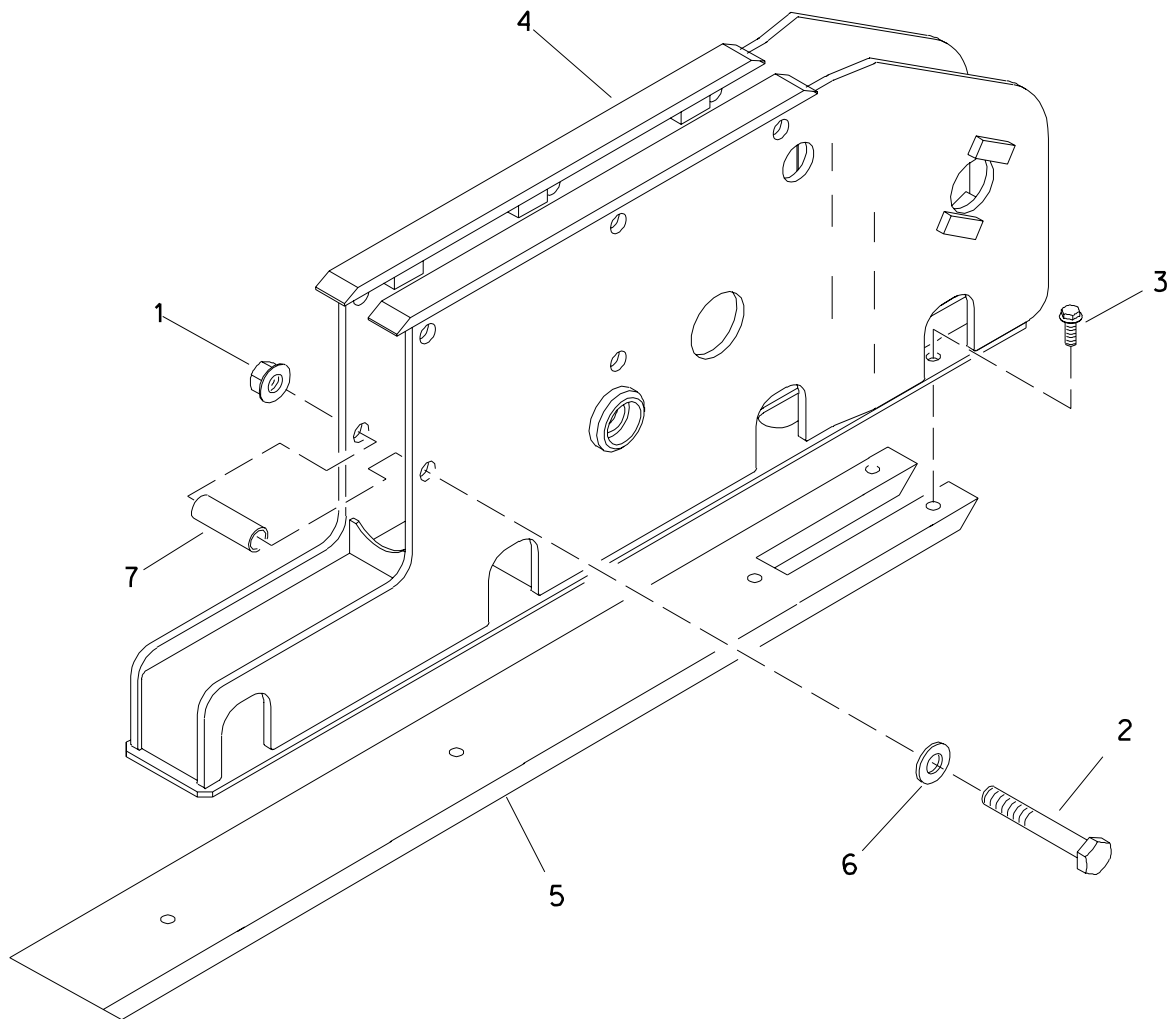
HEADSHAFT GEARBOX - STANDARD DUTY

H500, H600, H700, H800, H900



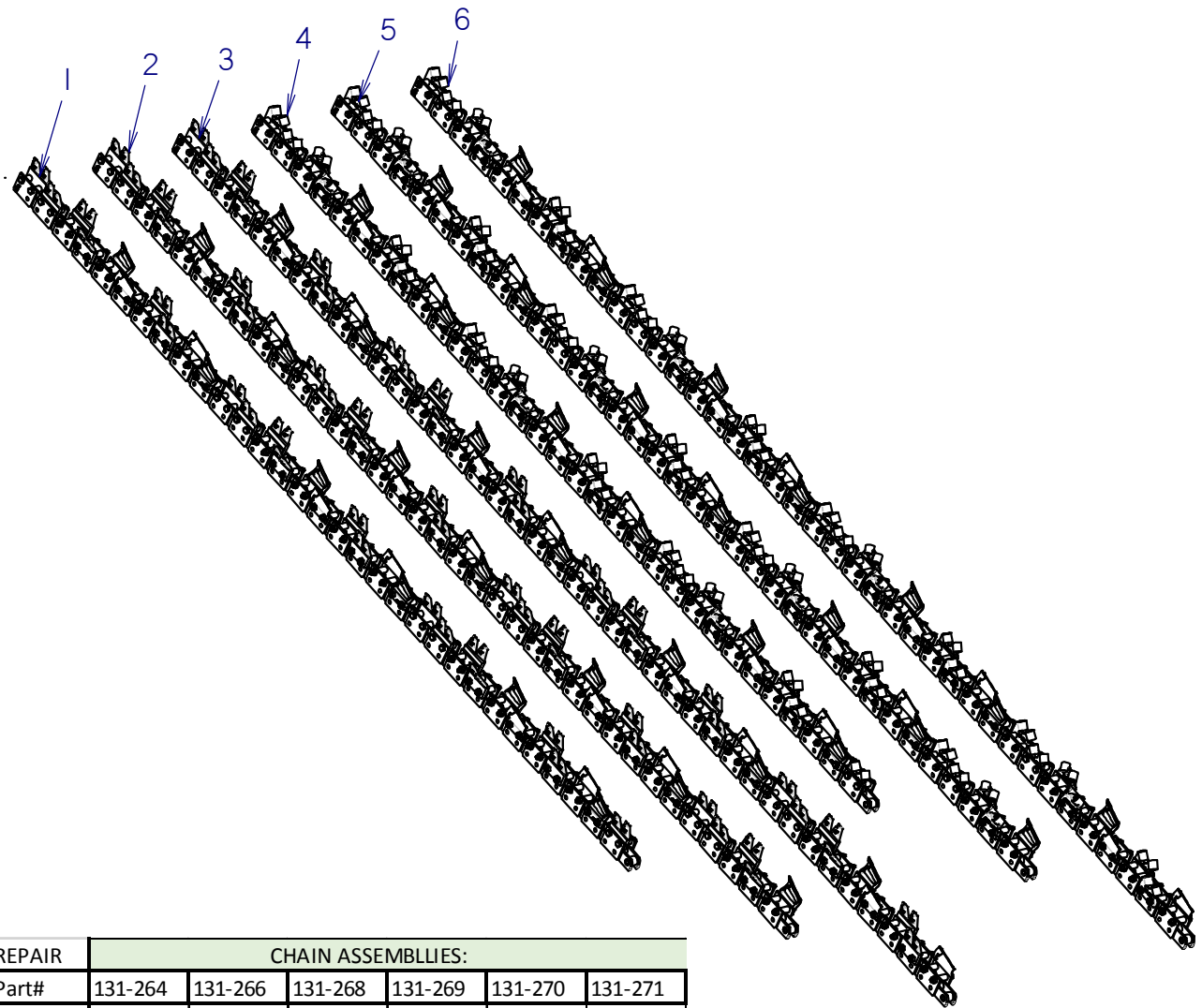
HD LTR WEAR BAR BOOM

19" HD ROLLER



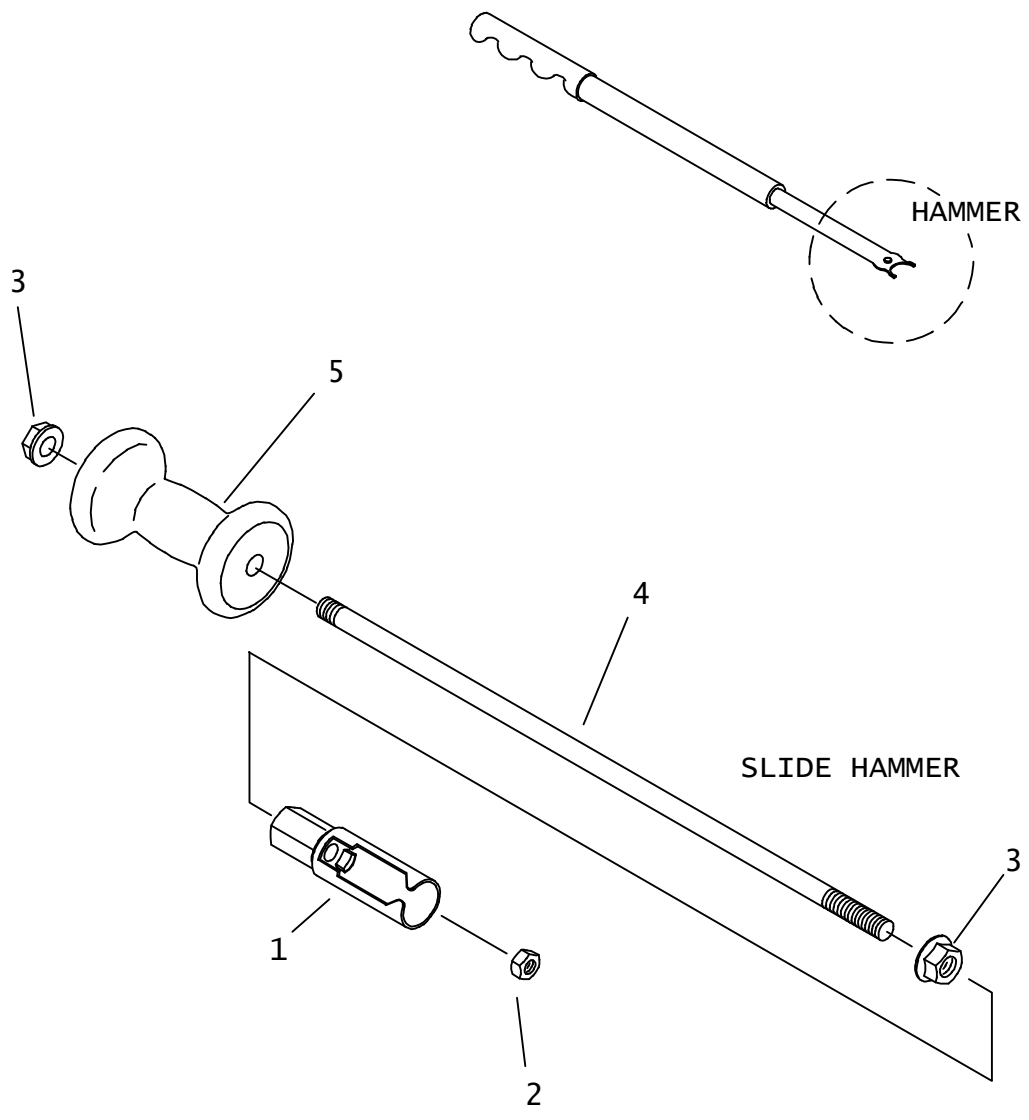
110K COMBO CHAINS

2P CHAIN ASSEMBLIES



REPAIR	CHAIN ASSEMBLIES:					
Part#	131-264	131-266	131-268	131-269	131-270	131-271
138-411	1	0	0	1	0	0
135-1534	0	1	0	0	1	0
135-1535	0	0	1	0	0	1
135-1239	6	7	7	6	7	7
135-1242	6	6	8	6	6	8
136-276	6	7	8	0	0	0
136-275	7	7	8	0	0	0
136-274	3	4	4	0	0	0
136-273	3	4	4	0	0	0
135-975	0	0	0	7	7	8
135-976	0	0	0	6	7	8
135-974	0	0	0	3	4	4
135-973	0	0	0	3	4	4
135-978	14	16	16	14	16	16
135-977	48	54	62	48	54	62
105-365	14	16	16	14	16	16
105-391	24	26	30	24	26	30
105-473	24	28	32	24	28	32
105-953	62	70	78	62	70	78

SPECIAL TOOLS BIT PULLER FOR ALLIGATOR BITS



CLICK HERE TO **DOWNLOAD** THE COMPLETE MANUAL

- Thank you very much for reading the preview of the manual.
- You can download the complete manual from: www.heydownloads.com by clicking the link below



- Please note: If there is no response to CLICKING the link, please download this PDF first and then click on it.

CLICK HERE TO **DOWNLOAD** THE COMPLETE MANUAL