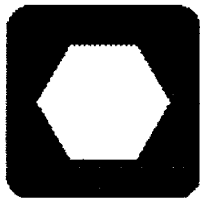


# A615

## Parts Manual



CLICK HERE TO **DOWNLOAD** THE COMPLETE MANUAL

- Thank you very much for reading the preview of the manual.
- You can download the complete manual from: [www.heydownloads.com](http://www.heydownloads.com) by clicking the link below



- Please note: If there is no response to CLICKING the link, please download this PDF first and then click on it.

CLICK HERE TO **DOWNLOAD** THE COMPLETE MANUAL

# DIGGING FRAME ATTACHMENT

REF NO.	PART NUMBER	QTY	DESCRIPTION	REMARKS
1.	105-065	2	LOCKNUT	
2.	105-071	3	WASHER (1/2")	
3.	105-082	1	BOLT (1/2-NC X 2-1/2")	
4.	105-873	AR	FLANGE LOCK BOLT	SEE F/N 1 FOR QTY=14 - SEE F/N 2 FOR QTY=18
5.	105-814	7	FLANGE LOCKNUT	
6.	105-137	AR	CLIP NUT	SEE F/N 1 FOR QTY=16 - SEE F/N 2 FOR QTY=12
7.	105-830	4	FLANGE LOCK BOLT	
8.	105-347	4	BOLT (7/8-NC X 7")	SEE FOOTNOTE 2
	106-424	4	BOLT (1-NC X 13")	SEE FOOTNOTE 1
9.	105-348	4	NUT (7/8-NC)	SEE FOOTNOTE 2
	105-919	4	NUT (1-NC)	SEE FOOTNOTE 1
10.	115-561	1	COMPRESSION SPRING	
11.	116-165	AR	GROMMET EDGING	USE 9.7"
12.	116-175	1	ROCK DEFLECTOR FLAP	12" WIDE (OPTIONAL)
	116-176	1	ROCK DEFLECTOR FLAP	18" WIDE (OPTIONAL)
	116-117	1	ROCK DEFLECTOR FLAP	24" WIDE
13.	311-492	1	DIGGING ATTACHMENT FRAME	
14.	311-216	1	DIFFERENTIAL SHIELD	
15.	362-452	1	LEFT CHAIN GUARD	
16.	362-184	1	RIGHT CHAIN GUARD	
17.	311-344	1	BELT SUPPORT BAR	24" FLAP
	311-345	1	BELT SUPPORT BAR	18" FLAP
	311-346	1	BELT SUPPORT BAR	12" FLAP
18.	362-191	1	SPROCKET SHIELD	
19.	105-874	7	FLANGE LOCK BOLT	
20.	110-097	1	CONDUIT CLAMP	EARLY MODELS
	110-373	2	CONDUIT CLAMP	
21.	259-042	1	PLUG WRENCH	
22.	105-003	2	FLANGE LOCKNUT	
23.	184-224	4	BOSS SPACER	SEE FOOTNOTE 1
24.	362-729	1	SHIELD EXTENSION	SEE FOOTNOTE 1

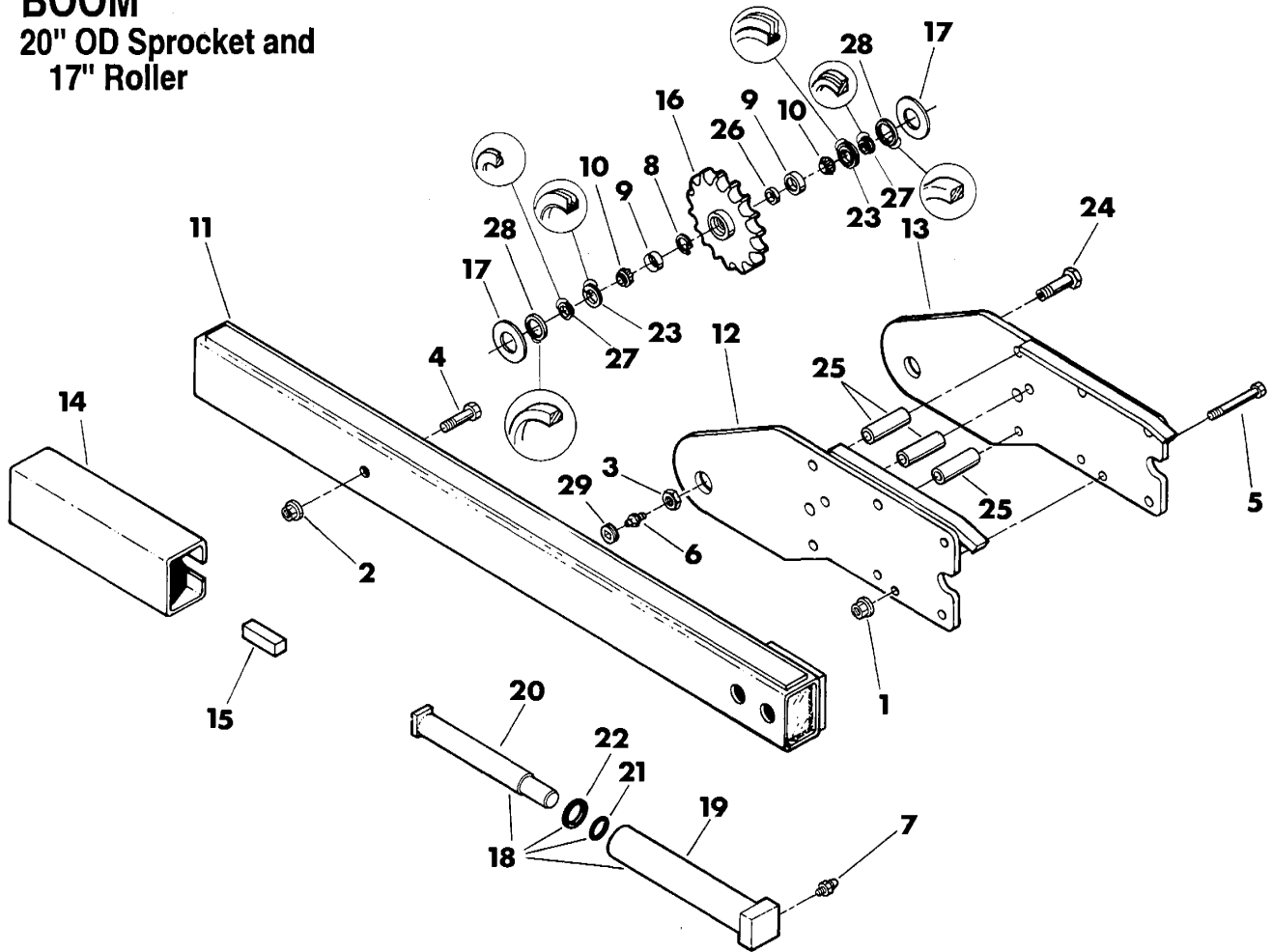
## FOOTNOTES

1 -THESE PARTS USED ON A615/5110.

2 -THESE PARTS USED ON A615/6510 AND A615/7510.

# BOOM

## 20" OD Sprocket and 17" Roller



Ref. No.	Part Number	Qty.	Description	Ref. No.	Part Number	Qty.	Description
	140-464		Boom Assembly (3.067" P, 45" LG boom)—Incl. ref. no.'s 1 thru 29	13.	140-440	1	Left Side Plate
	140-465		Boom Assembly (3.067" P, 54.38" LG boom)—Incl. ref. no.'s 1 thru 29	14.	140-458	1	Grease Cylinder Protector
	140-466		Boom Assembly (3.067" P, 66.38" LG boom)—Incl. ref. no.'s 1 thru 29	15.	140-460	1	Spacer (1-3/4" SQ x 5.5" LG)
				16.	142-012	1	Idler Sprocket (19T, 3.067" P, 20" OD)
					142-011		Idler Sprocket Assembly (Incl. ref. no.'s 8, 9 and 16)
1.	105-340	8	Flange Locknut (3/4-NC)	17.	145-589	2	Polyurethane Spacer
2.	105-367	1	Locknut (1-NC)	18.	150-058	1	Grease Cylinder (Incl. ref. no.'s 7, and 19 thru 22)
3.	105-377	1	Jam Nut (1-1/2-NF)	19.	150-191		Cylinder Barrel
4.	105-419	1	Bolt (1-NC x 4")	20.	150-340		Cylinder Rod
5.	105-473	8	Bolt (3/4-NC x 5")	21.	155-711		O-Ring (-222)
6.	115-001	2	Zerk (1/8-NPT, STR)	22.	155-712		Backup Ring (-222)
7.	115-019	1	Zerk (1/8-NPT, STR)	23.	155-852	2	External Seal (3.25" OD)
8.	115-470	2	Internal Snap Ring (3.442" OD)	24.	180-440	1	Shaft (Incl. ref. no.'s 6 and 29)
9.	125-216	2	Race (3.265" OD)	25.	181-340	3	Bushing (.775" ID x 3" LG)
10.	125-265	2	Bearing (1.5" ID)	26.	181-697	1	Bearing Spacer
	190-183		Bearing and Seal Kit (Incl. ref. no.'s 8, 9, 10, 17, 23, 26, 27 and 28)	27.	181-698	2	Seal Spacer
11.	140-432		Boom (45" LG)	28.	181-699	2	Seal Sleeve
	140-433		Boom (54.38" LG)	29.	115-152	1	Plug (3/4-NPT M, SQ FM HD)
	140-434		Boom (66.38" LG)				
12.	140-439	1	Right Side Plate	Not Shown:			
					142-756		17" Roller (dealer installation only)

# DIGGING CHAIN (3.067" P - 70,000 LB)

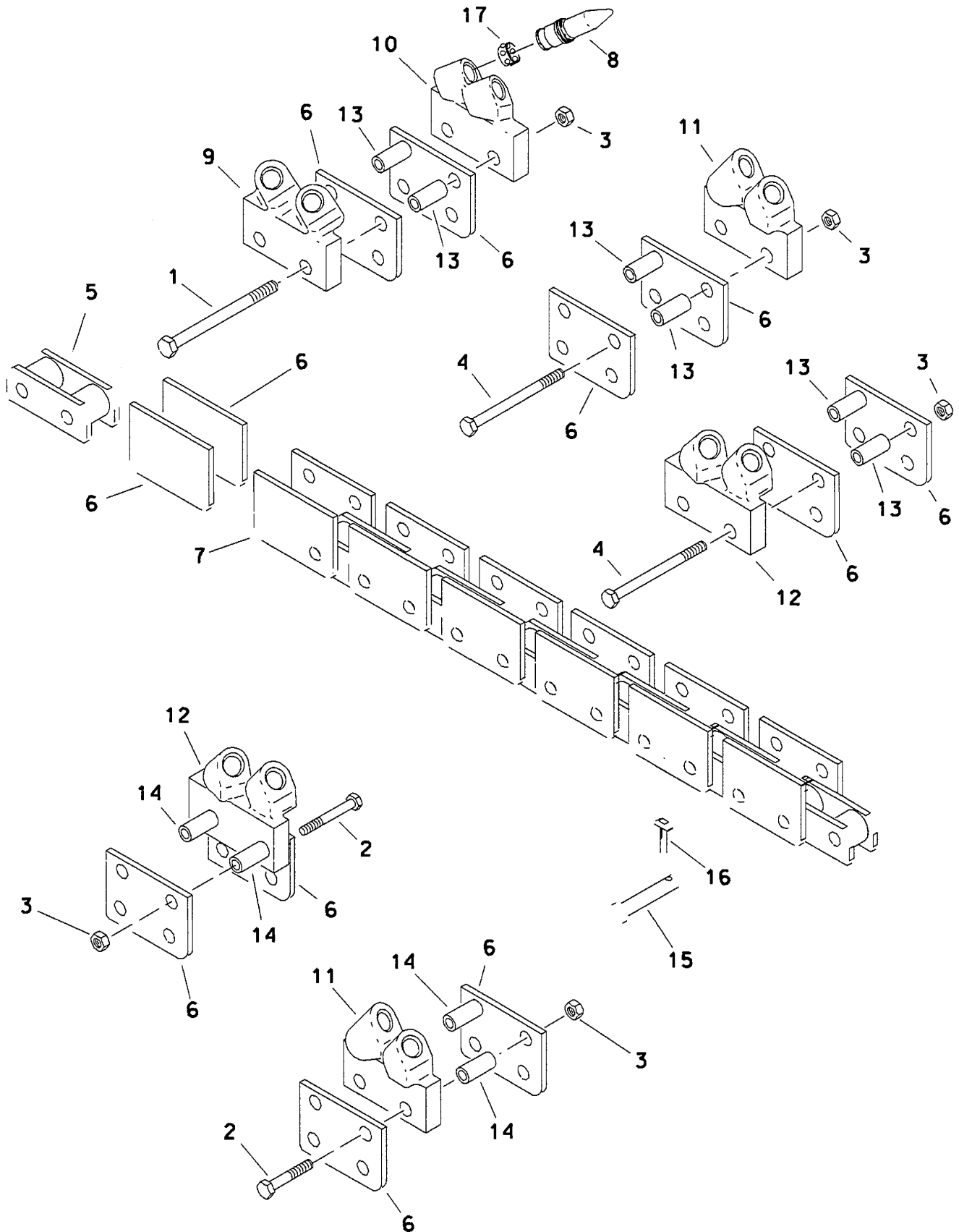
## 4 PITCH SPACING-RAISED RIVET

REF NO.	PART NUMBER	QTY	DESCRIPTION	REMARKS
1.	105-372	AR	LOCKNUT (3/4-NC)	
2.	105-499	AR	BOLT (3/4-NC X 1-3/4")	
	105-466	AR	BOLT (3/4-NC X 2-1/2")	
	105-339	AR	BOLT (3/4-NC X 2-3/4")	
	105-321	AR	BOLT (3/4-NC X 3")	
	105-365	AR	BOLT (3/4-NC X 4")	
	105-383	AR	BOLT (3/4-NC X 6")	
3.	135-402	AR	LOCK KEY	
4.	135-910	AR	LEFT CUP TOOTH	
5.	135-911	AR	RIGHT CUP TOOTH	
6.	135-921	AR	SPACER (3/8" THK)	
	136-070	AR	SPACER (1/2" THK)	
	135-960	AR	SHIM (1/8" THK)	
7.	135-961	AR	TOOL BUSHING (.8" LG)	
	135-962	AR	TOOL BUSHING (1.9" LG)	
8.	136-109	AR	LEFT TOUGH TOOTH 90	
9.	136-110	AR	RIGHT TOUGH TOOTH 90	
10.	136-120	AR	7.65" TOOTH ADAPTER	
11.	137-501	AR	CHAIN PIN	
12.	138-503	AR	ROLLER LINK	
13.	138-504	AR	TOOTH SIDEBAR	KEY SIDE
14.	138-505	AR	TOOTH SIDEBAR	HEAD SIDE
15.	138-506	AR	PLAIN SIDEBAR	KEY SIDE
16.	138-507	AR	PLAIN SIDEBAR	HEAD SIDE
17.	138-509	AR	2'-1" CHAIN (8 P)	LESS TEETH
	138-510	AR	4'-1" CHAIN (16 P)	LESS TEETH
	138-511	AR	15'-10" CHAIN (62 P)	LESS TEETH
	138-512	AR	13'-3" CHAIN (52 P)	LESS TEETH
	138-706	AR	14'-4" CHAIN (56 P)	LESS TEETH

**NOTE:**

FOR PARTS AND PATTERN FOR A SPECIFIC CHAIN REFER TO THE CHAIN GUIDE (050-700). REFER BOOM, CHAIN AND CLEANER OPTIONS (052-190) FOR RECOMMENDED COMBINATIONS OF CHAIN AND BOOM.

ALLIGATOR CHAIN (3.067" P - 110,000 LB)  
2 PITCH SPACING - RAISED RIVET - BOLT-ON



# SPECIAL TOOLS

## BIT PULLER FOR ALLIGATOR BITS

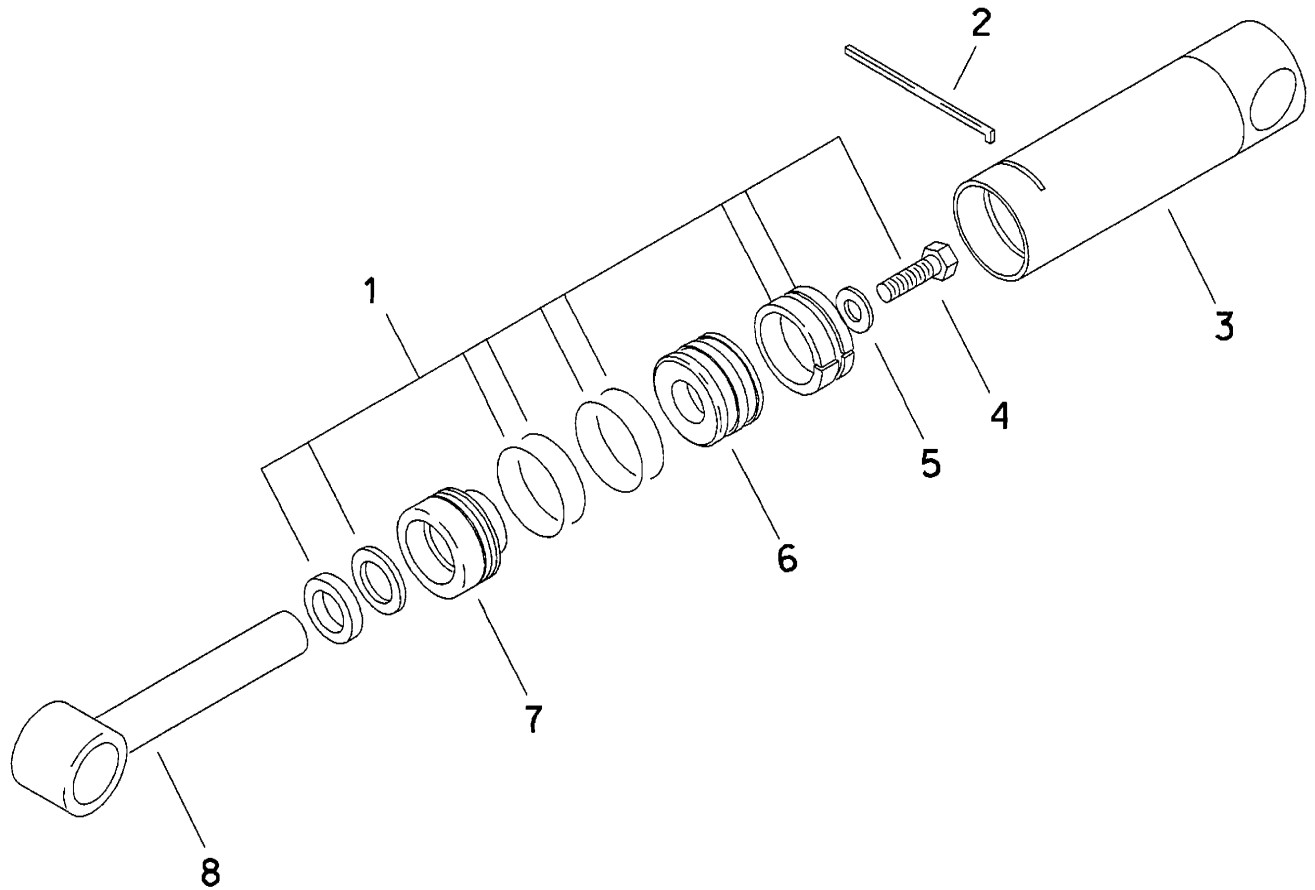
REF NO.	PART NUMBER	QTY	DESCRIPTION	REMARKS
	259-150		SLIDE HAMMER BIT PUNCH	
	259-002		SLIDE HAMMER BIT PULLER	INCLUDES REF NO.'S 1-5
1.	259-036	1	BIT PULLER	
2.	105-403	1	JAM NUT (5/8-NC)	
3.	105-357	2	FLANGE LOCKNUT (5/8-NC)	
4.	183-072	1	RDD	
5.	259-003	1	SLIDE HAMMER	

FOOTNOTES

# HYDRAULIC CYLINDER

3.5" ID BARREL X 1.75" OD ROD X 11.50" STROKE = 151-129

3.5" ID BARREL X 1.75" OD ROD X 10.82" STROKE = 151-130



CLICK HERE TO **DOWNLOAD** THE COMPLETE MANUAL

- Thank you very much for reading the preview of the manual.
- You can download the complete manual from: [www.heydownloads.com](http://www.heydownloads.com) by clicking the link below



- Please note: If there is no response to CLICKING the link, please download this PDF first and then click on it.

CLICK HERE TO **DOWNLOAD** THE COMPLETE MANUAL