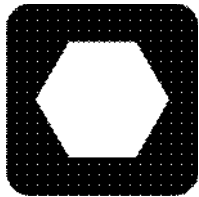


# A222 - A422

## Parts Manual



CLICK HERE TO **DOWNLOAD** THE COMPLETE MANUAL

- Thank you very much for reading the preview of the manual.
- You can download the complete manual from: [www.heydownloads.com](http://www.heydownloads.com) by clicking the link below

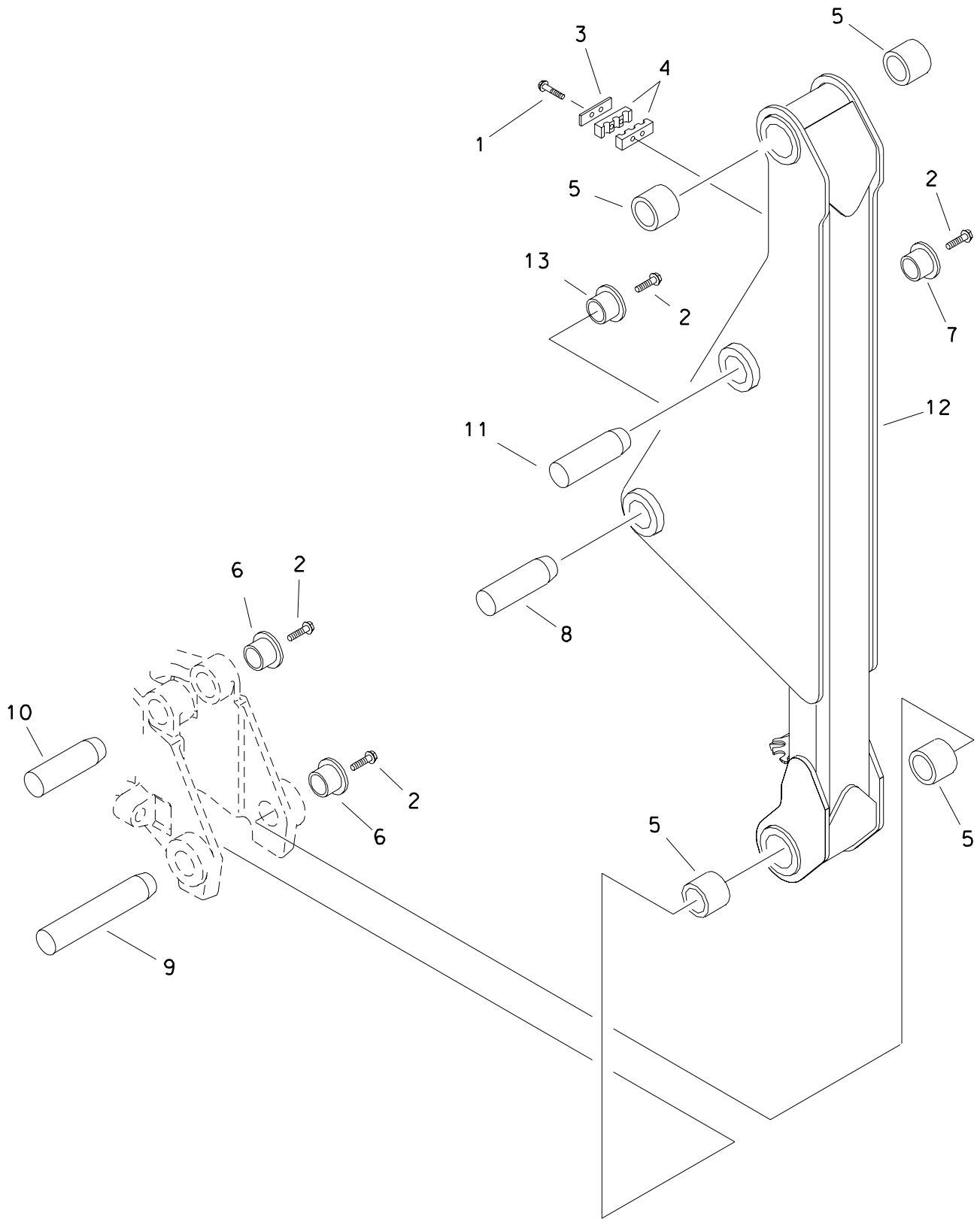


- Please note: If there is no response to CLICKING the link, please download this PDF first and then click on it.

CLICK HERE TO **DOWNLOAD** THE COMPLETE MANUAL

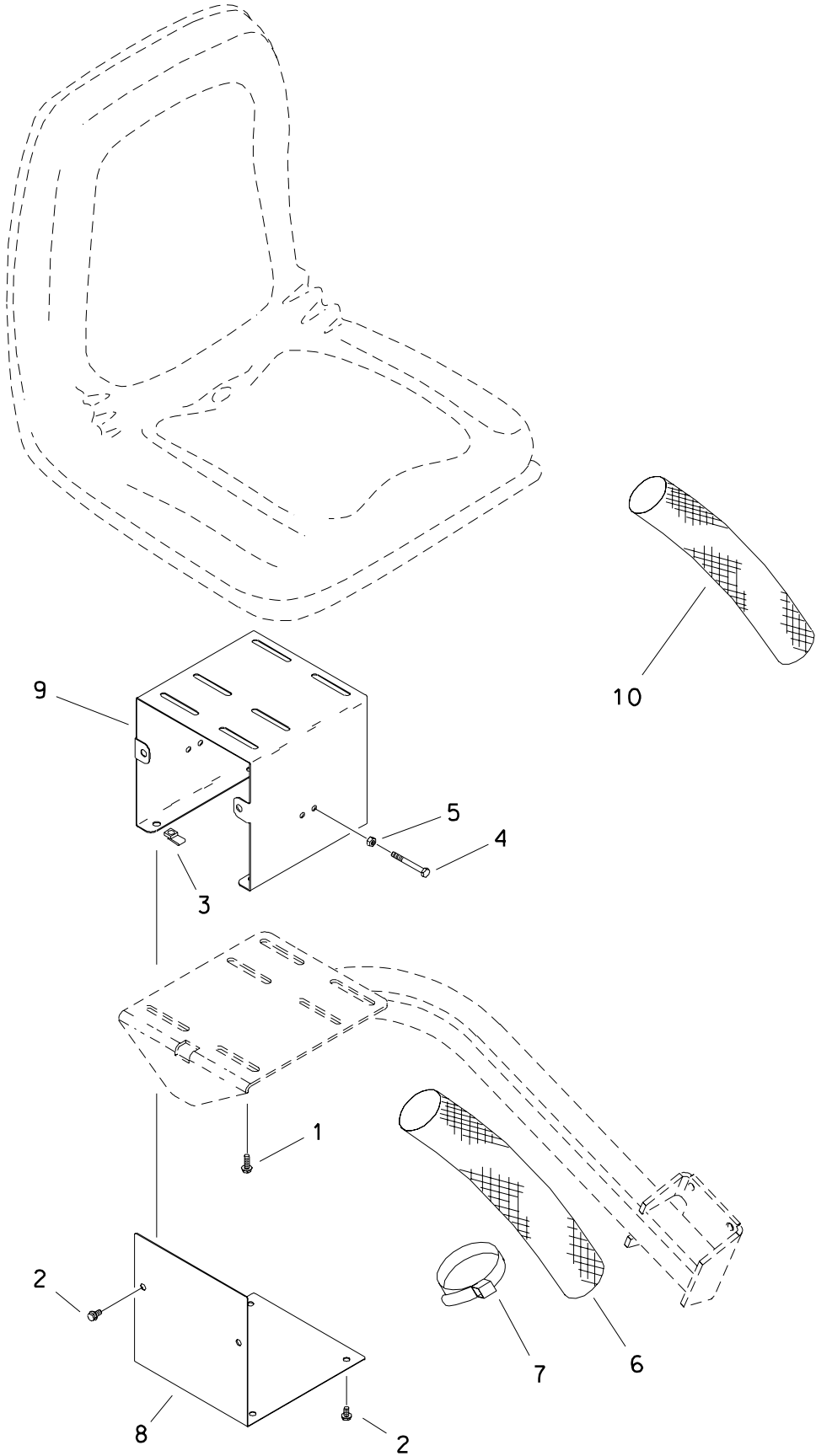


# BOOM

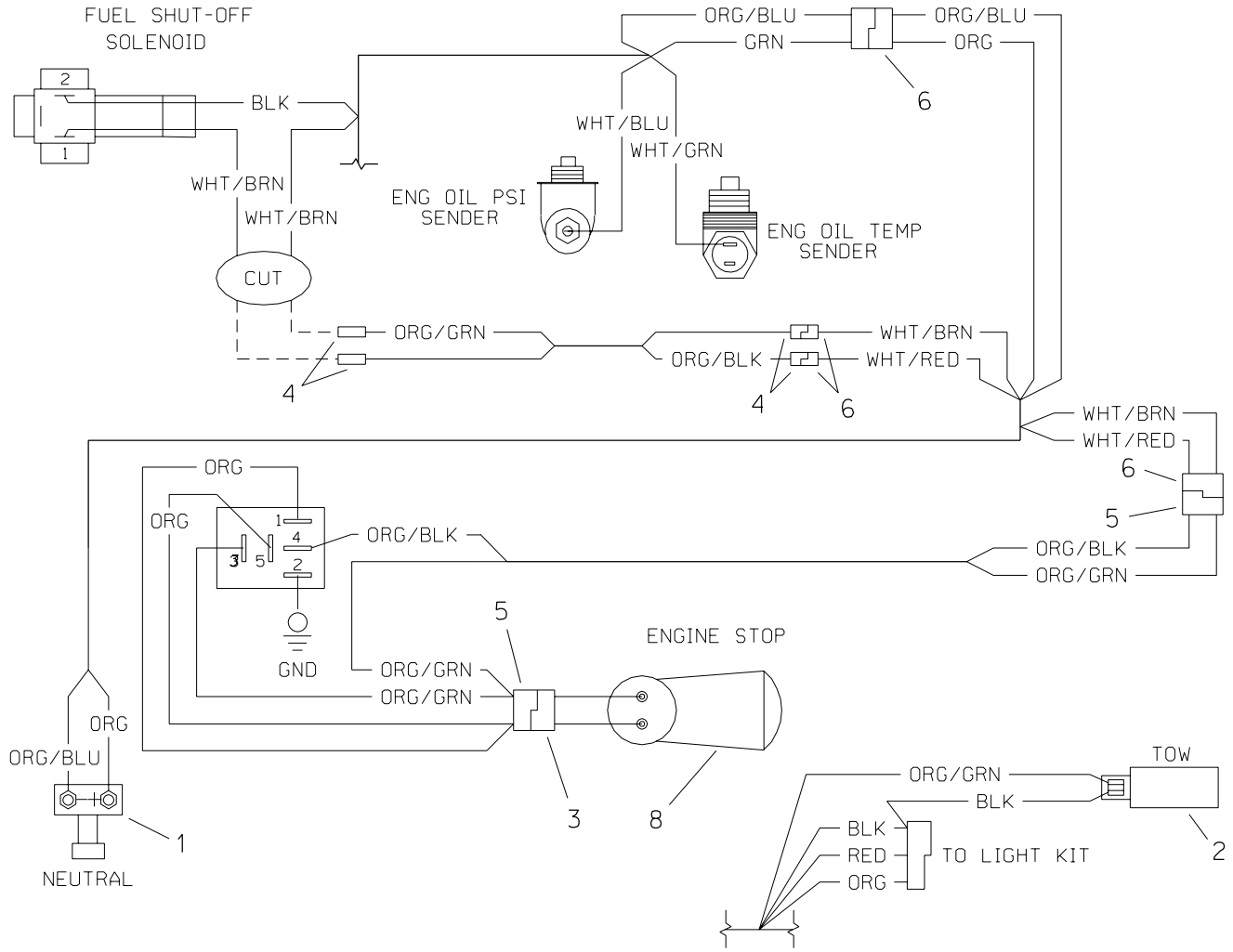


# SOLENOID MOUNT & COVER

3610/A222-A422



# ELECTRICAL DIAGRAM 4500



CLICK HERE TO **DOWNLOAD** THE COMPLETE MANUAL

- Thank you very much for reading the preview of the manual.
- You can download the complete manual from: [www.heydownloads.com](http://www.heydownloads.com) by clicking the link below



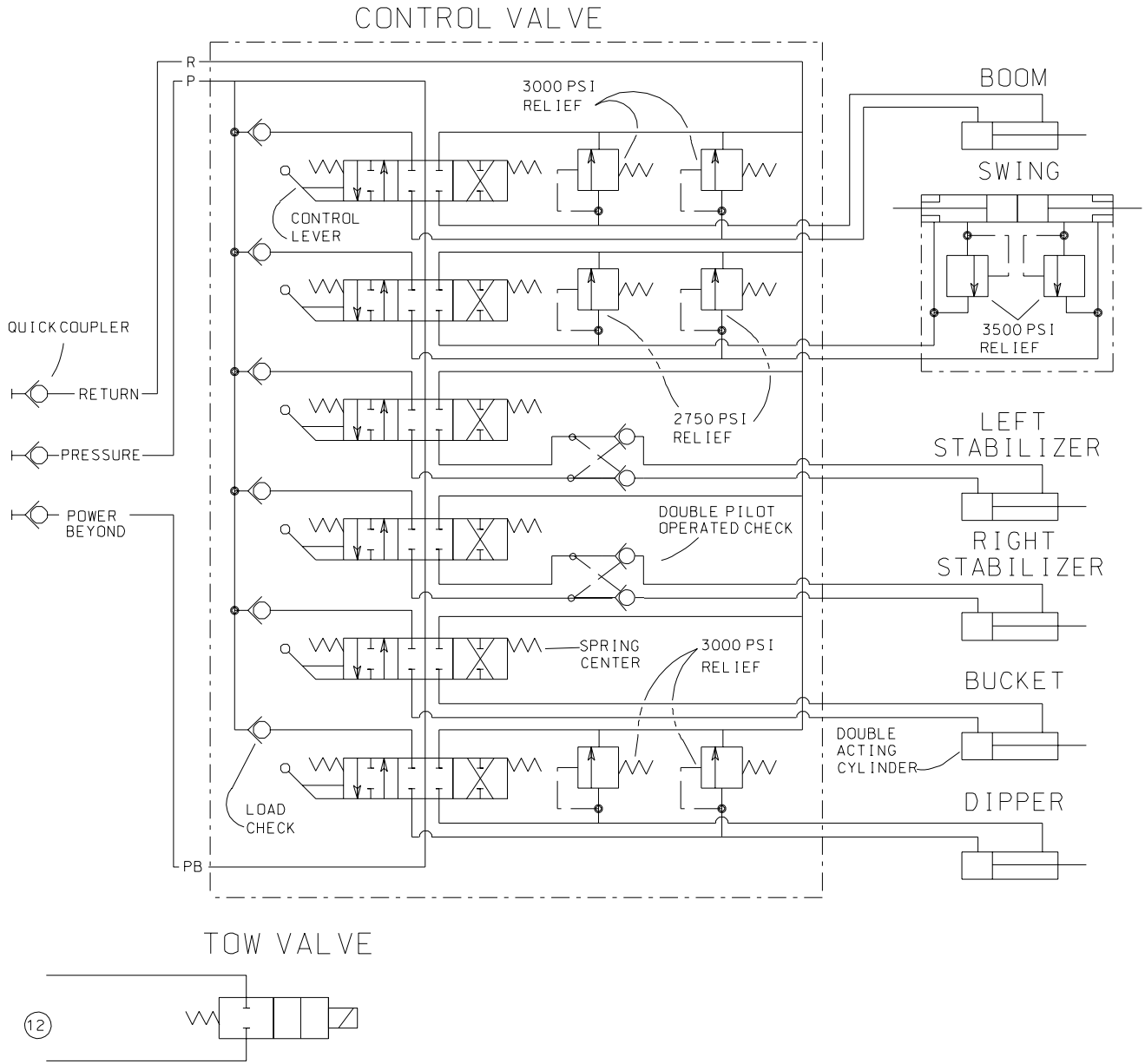
- Please note: If there is no response to CLICKING the link, please download this PDF first and then click on it.

CLICK HERE TO **DOWNLOAD** THE COMPLETE MANUAL

# HYDRAULIC SCHEMATIC

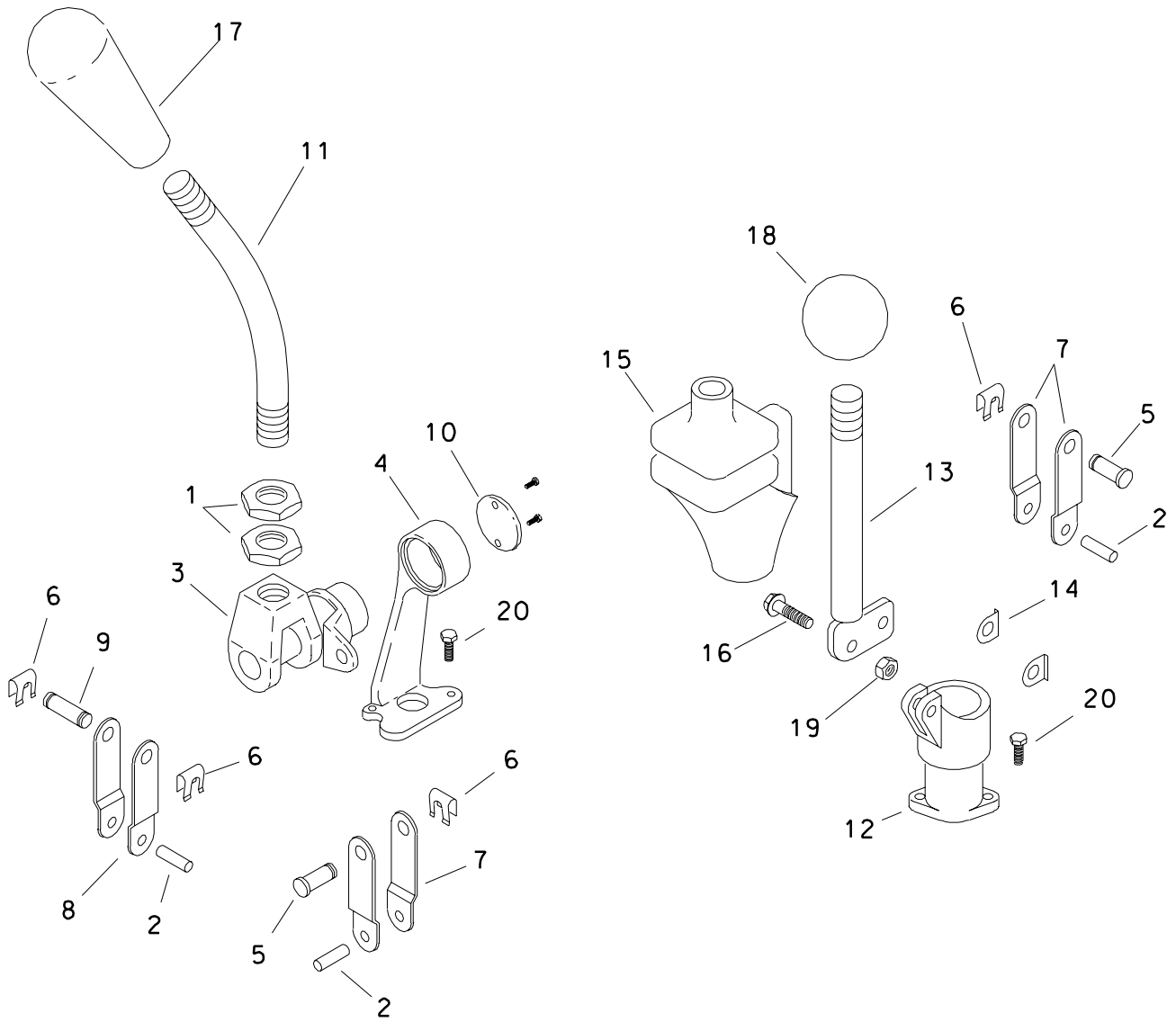
A422/4500

ENDS WITH S/N 1H1684



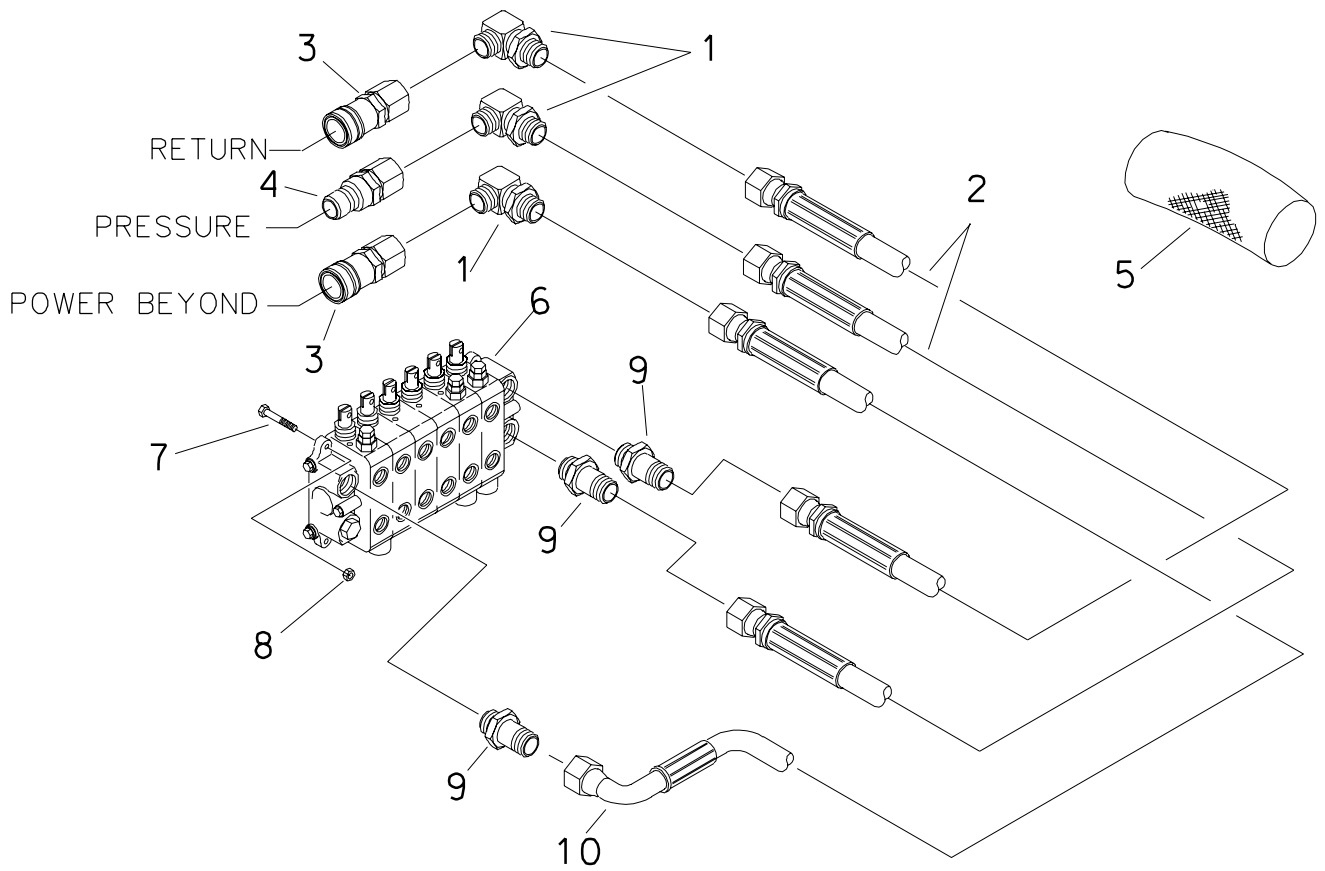
NOTE: MANIFOLD AND REFERENCE NUMBERS REFER TO CONNECTIONS ON MACHINE HYDRAULIC SCHEMATICS.

# HYDRAULIC CONTROL HANDLES

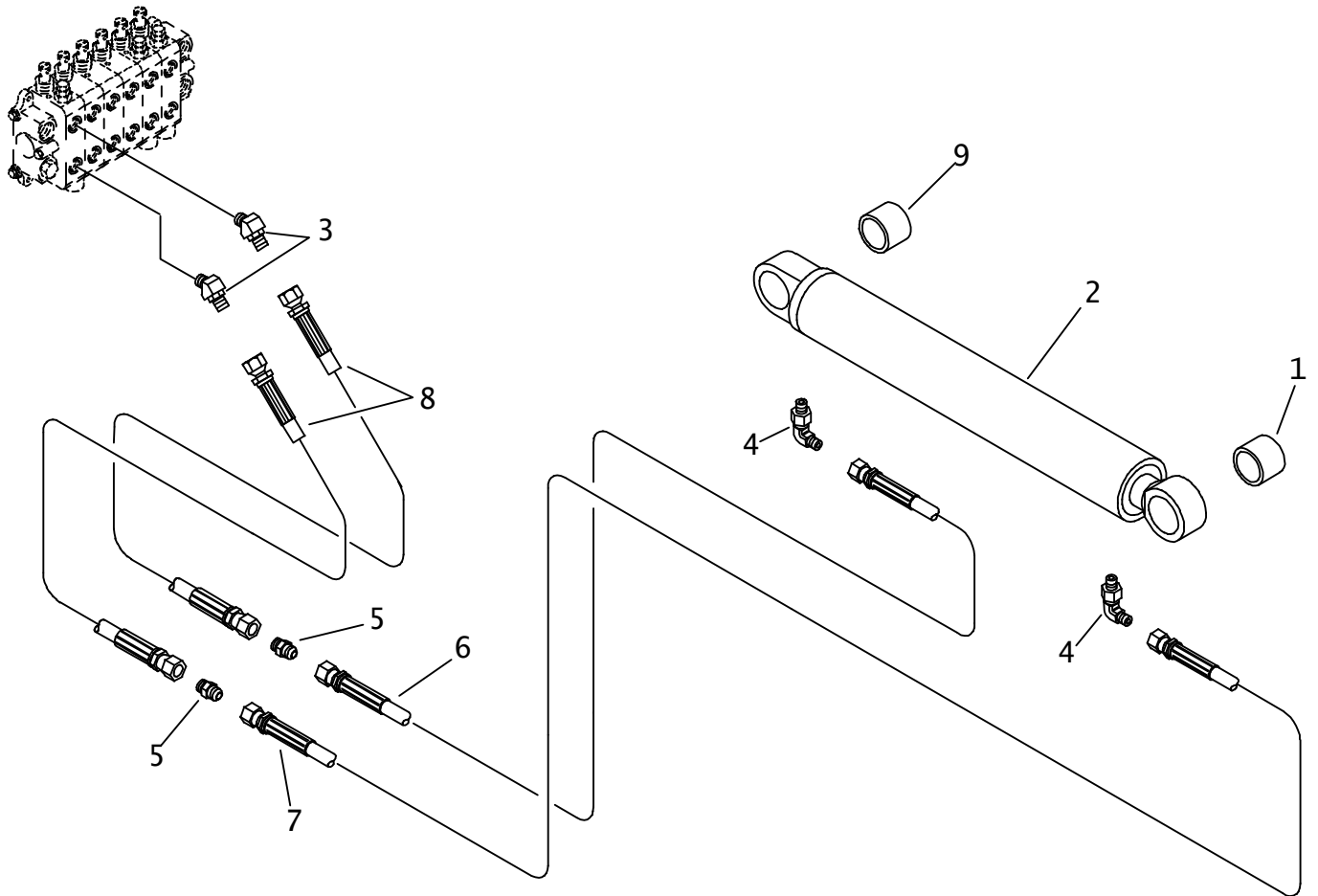


# VALVE SUPPLY/CONNECTING HYDRAULICS

A422/3500

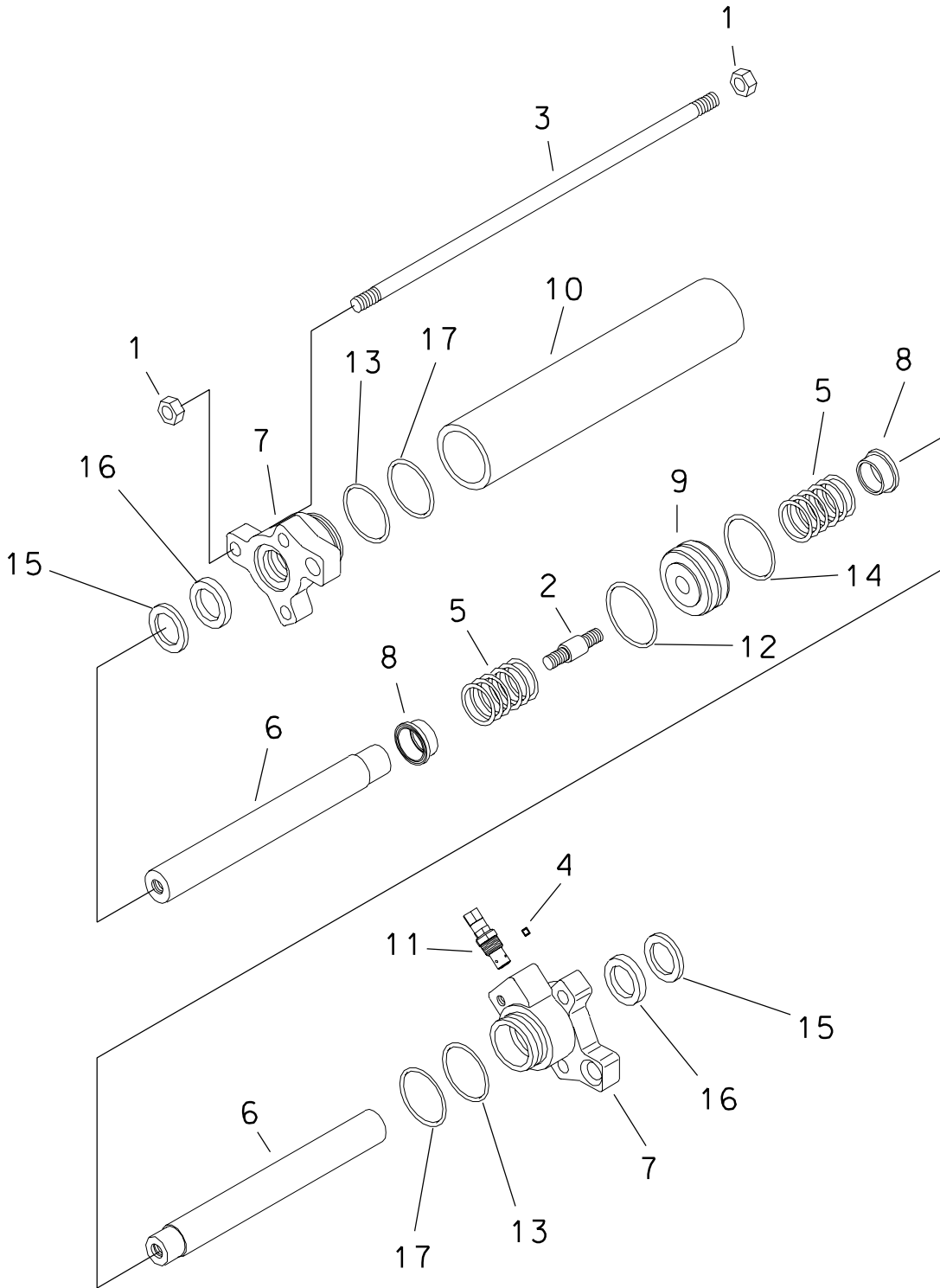


## DIPPER HYDRAULICS



# SWING CYLINDER

2.5" ID BARREL X 1.5" OD X 6.0" STROKE  
ENDS WITH S/N





CLICK HERE TO **DOWNLOAD** THE COMPLETE MANUAL

- Thank you very much for reading the preview of the manual.
- You can download the complete manual from: [www.heydownloads.com](http://www.heydownloads.com) by clicking the link below



- Please note: If there is no response to CLICKING the link, please download this PDF first and then click on it.

CLICK HERE TO **DOWNLOAD** THE COMPLETE MANUAL