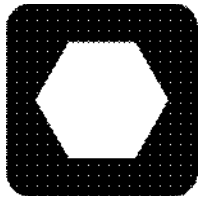


6520

Parts Manual



CLICK HERE TO **DOWNLOAD** THE COMPLETE MANUAL

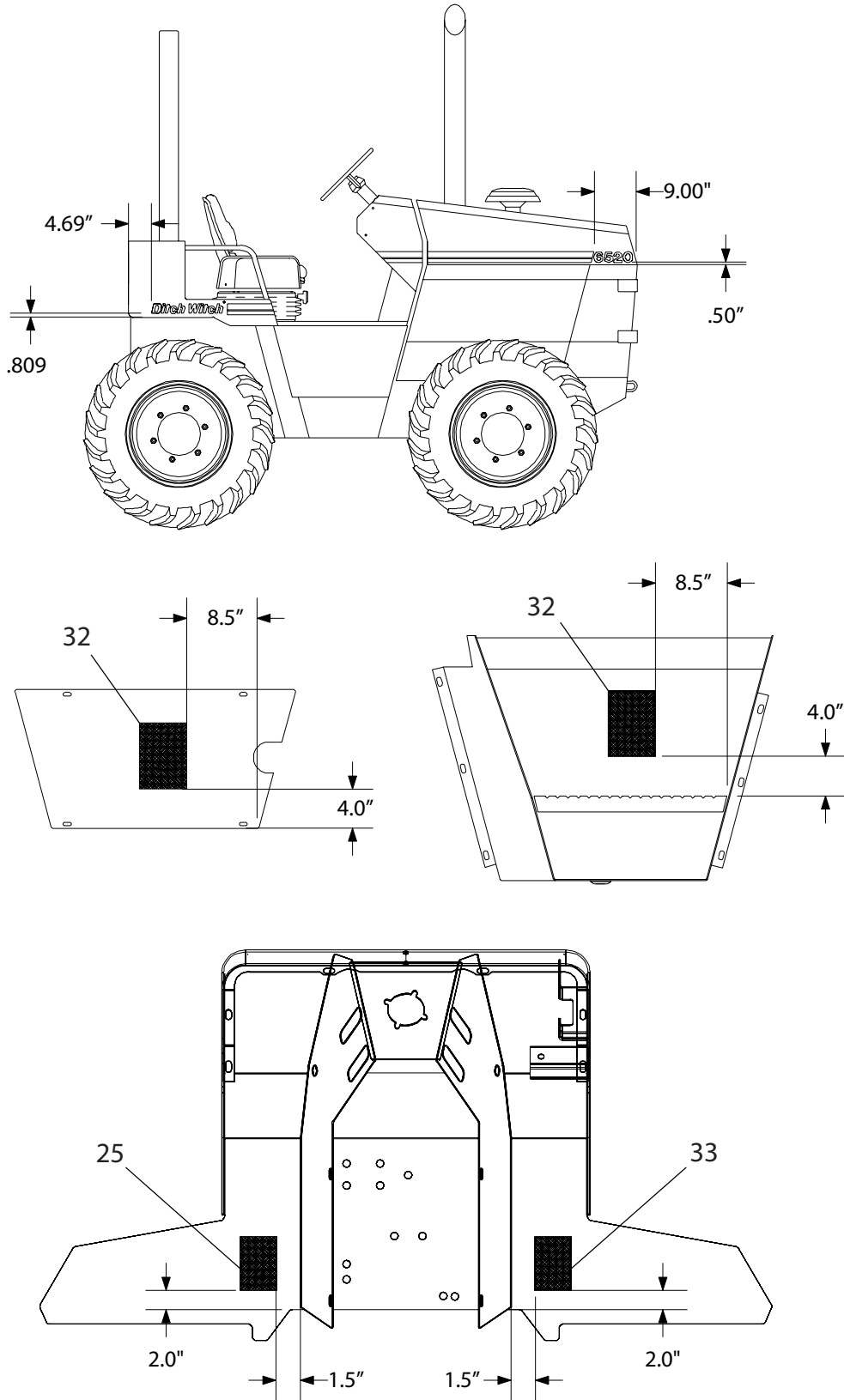
- Thank you very much for reading the preview of the manual.
- You can download the complete manual from: www.heydownloads.com by clicking the link below



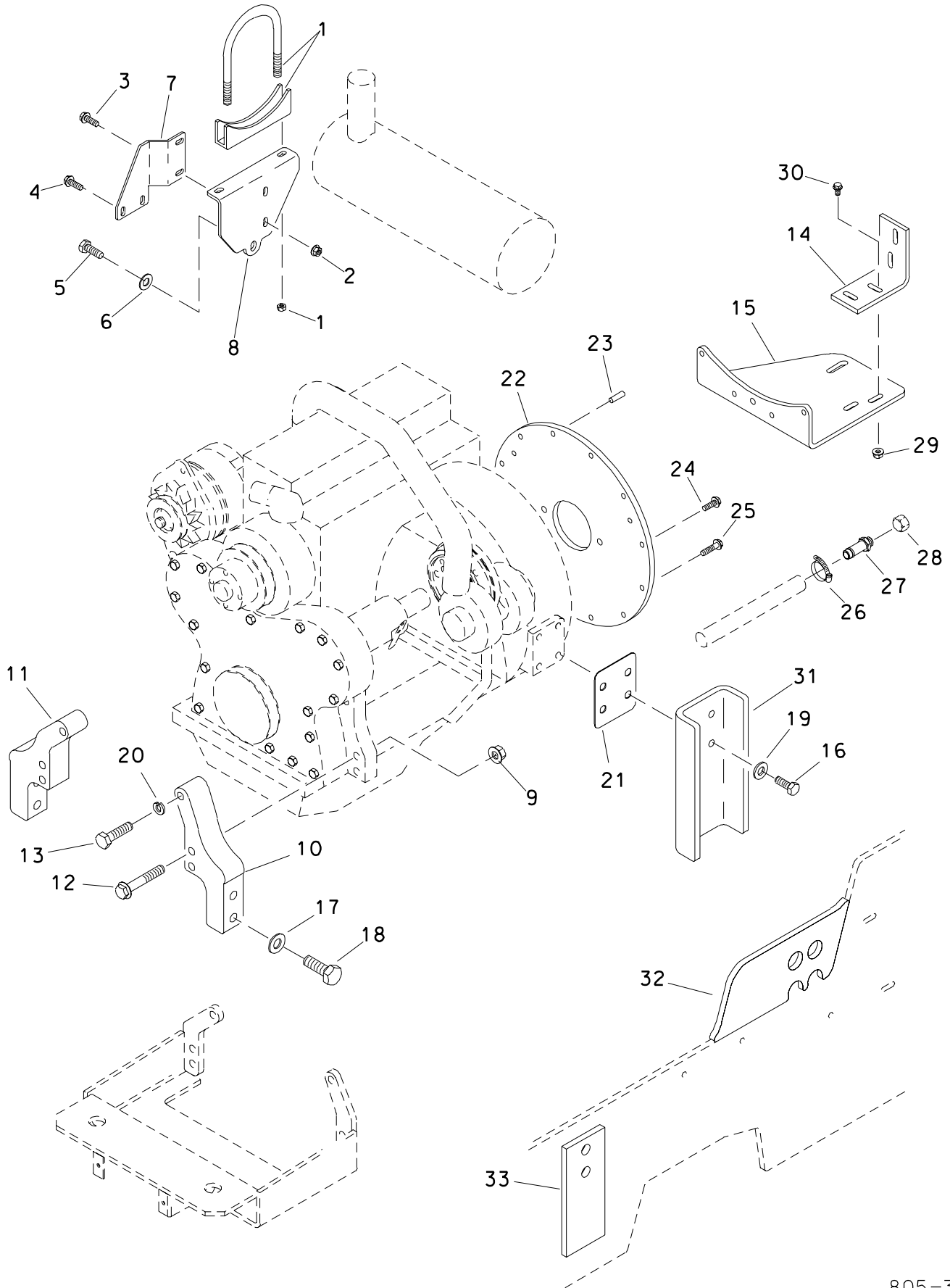
- Please note: If there is no response to CLICKING the link, please download this PDF first and then click on it.

CLICK HERE TO **DOWNLOAD** THE COMPLETE MANUAL

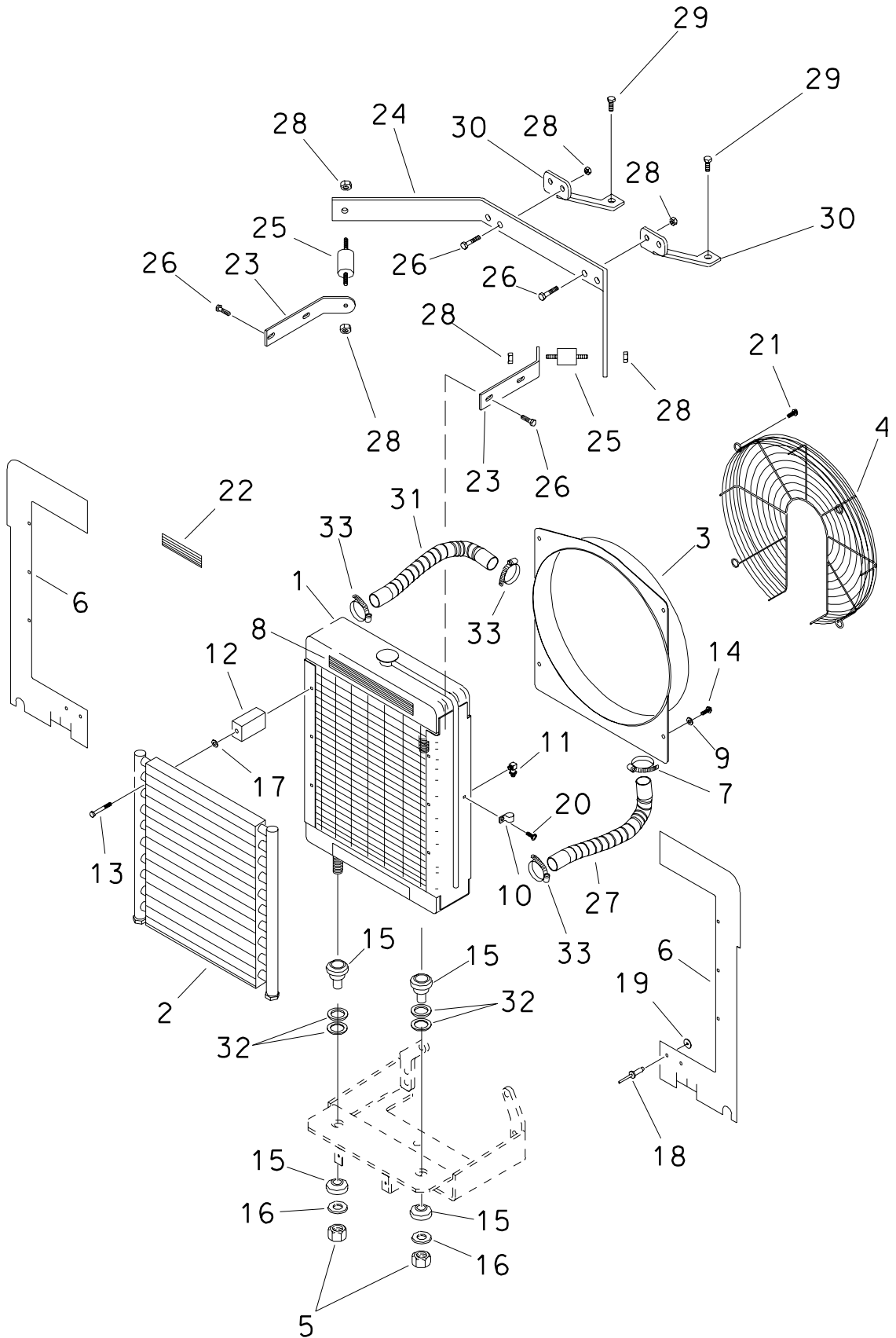
DECAL LOCATION 6520



ENGINE MOUNT AFTER S/N 5N0950

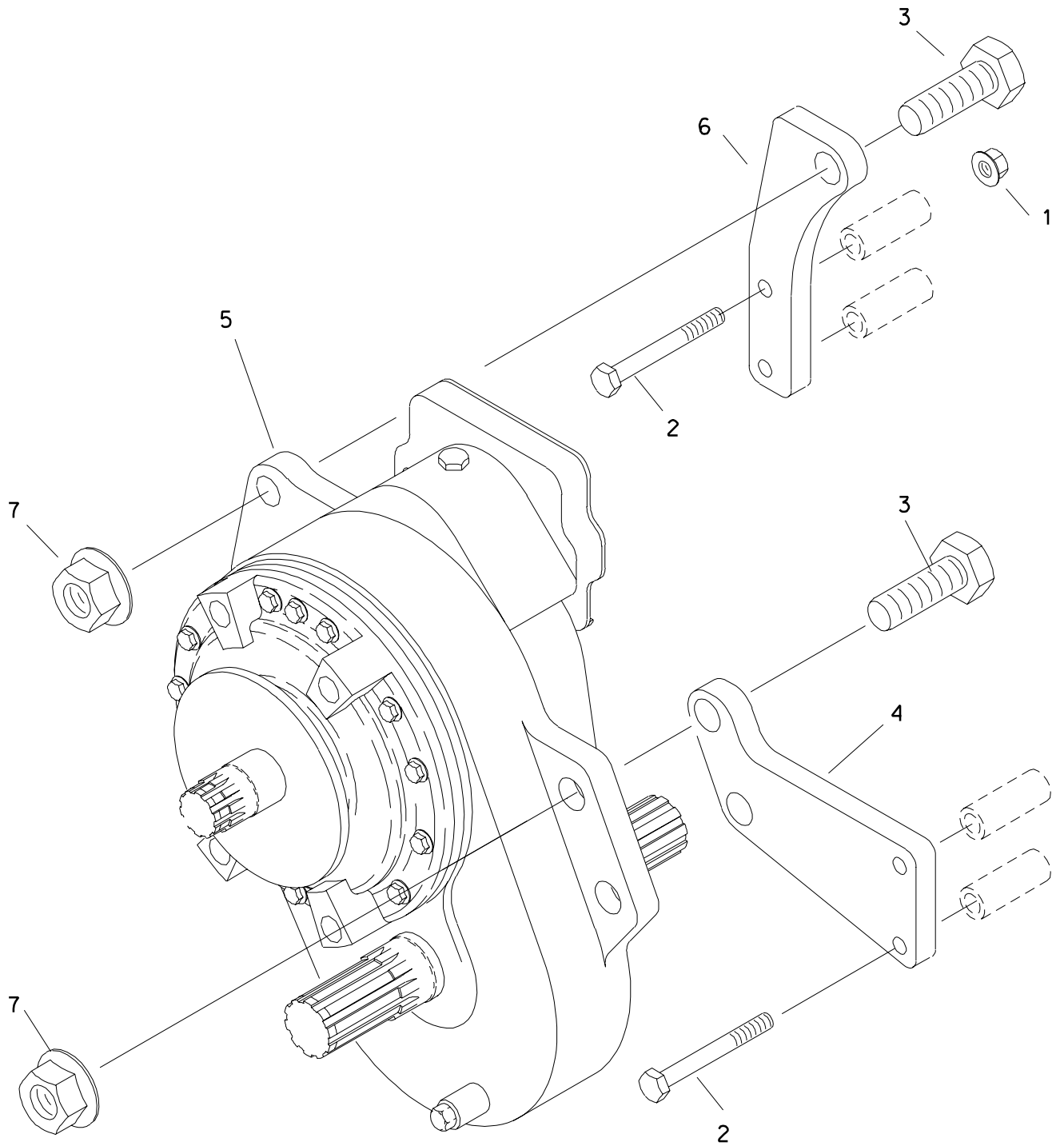


RADIATOR

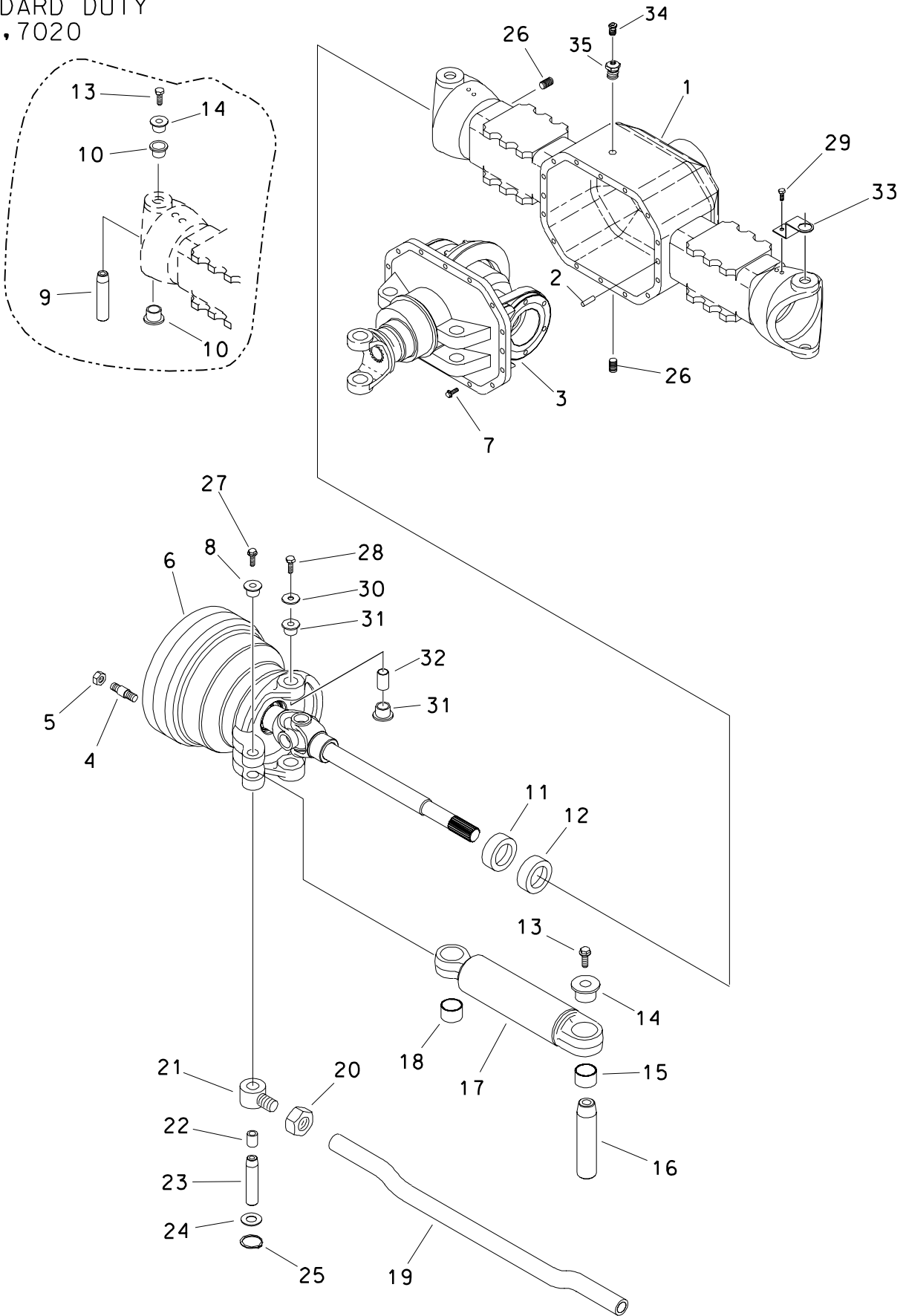


GROUND DRIVE TRANSMISSION INSTALLATION

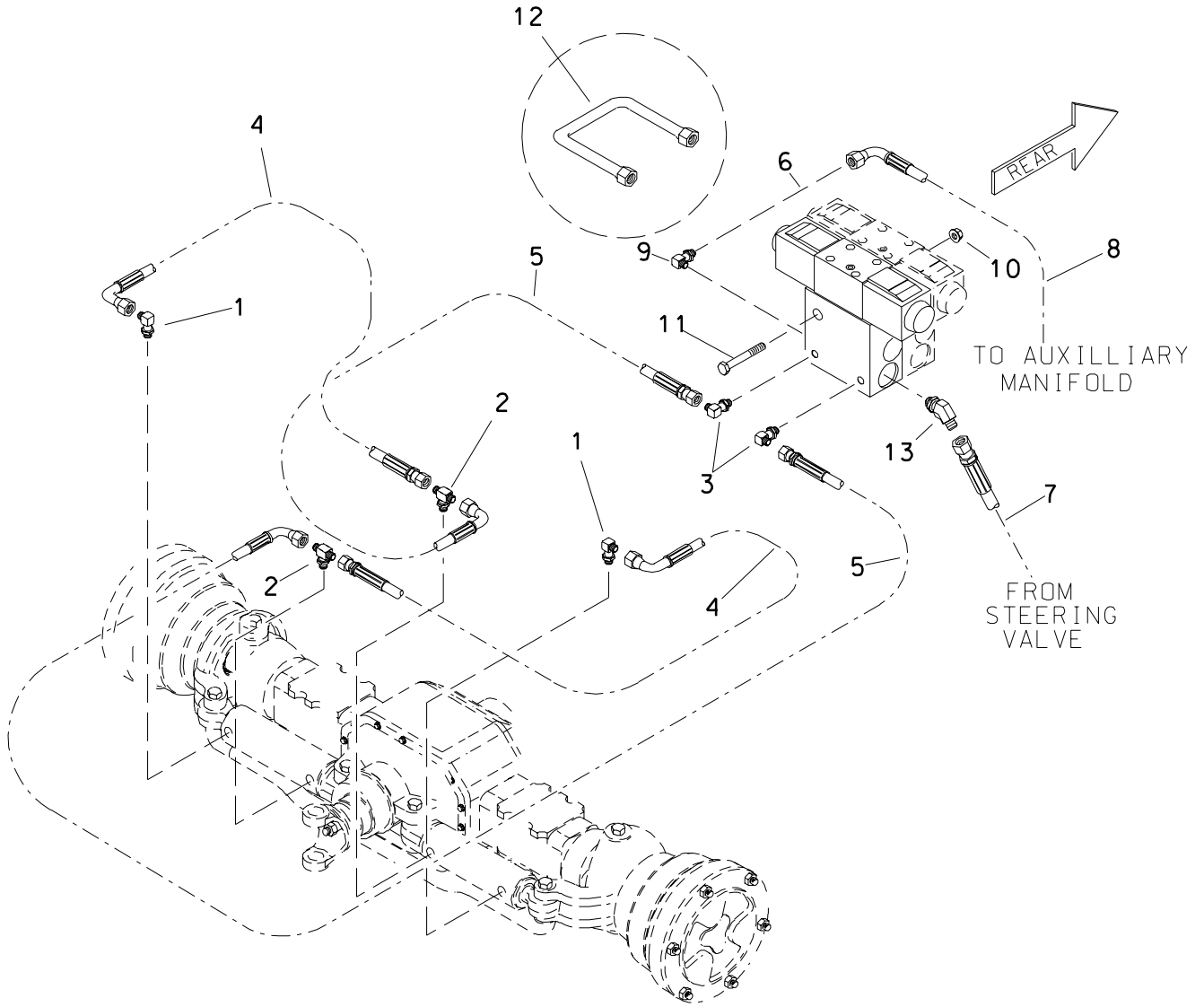
6520 AFTER SERIAL NO.5N0950



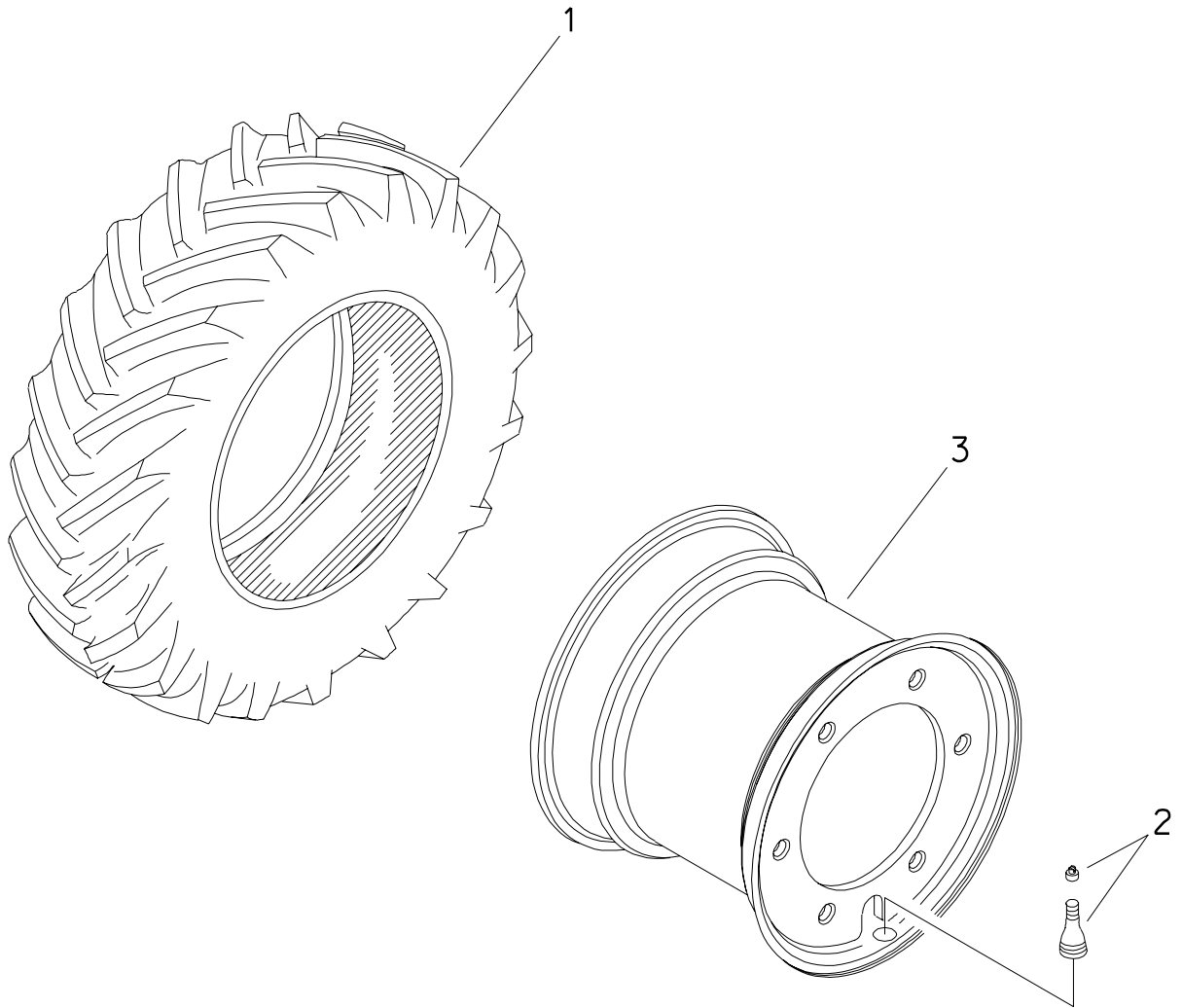
REAR STEERING PLANETARY DIFFERENTIAL STANDARD DUTY 6520, 7020



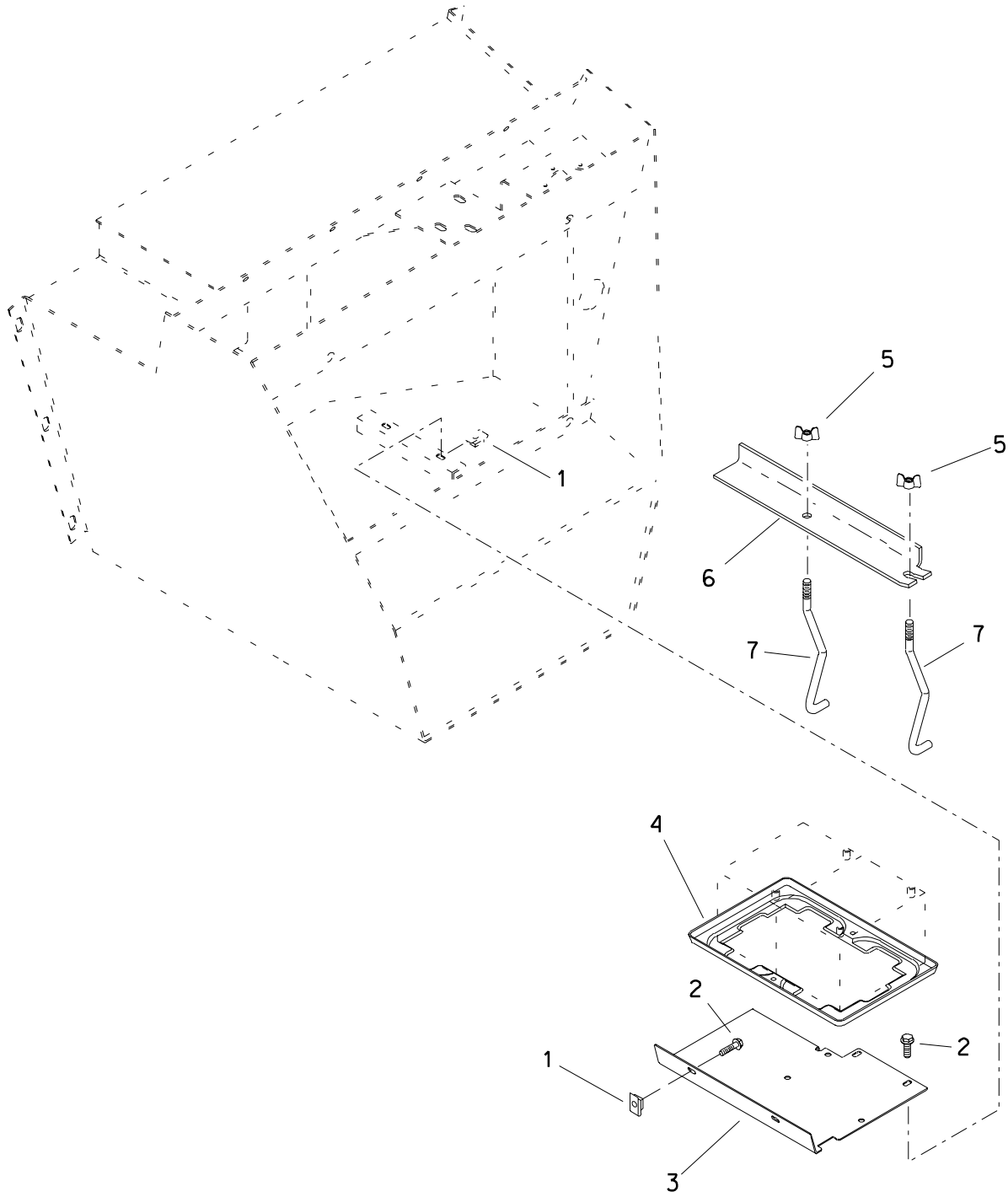
REAR STEER



TIRE - WHEEL



BATTERY MOUNT



CLICK HERE TO **DOWNLOAD** THE COMPLETE MANUAL

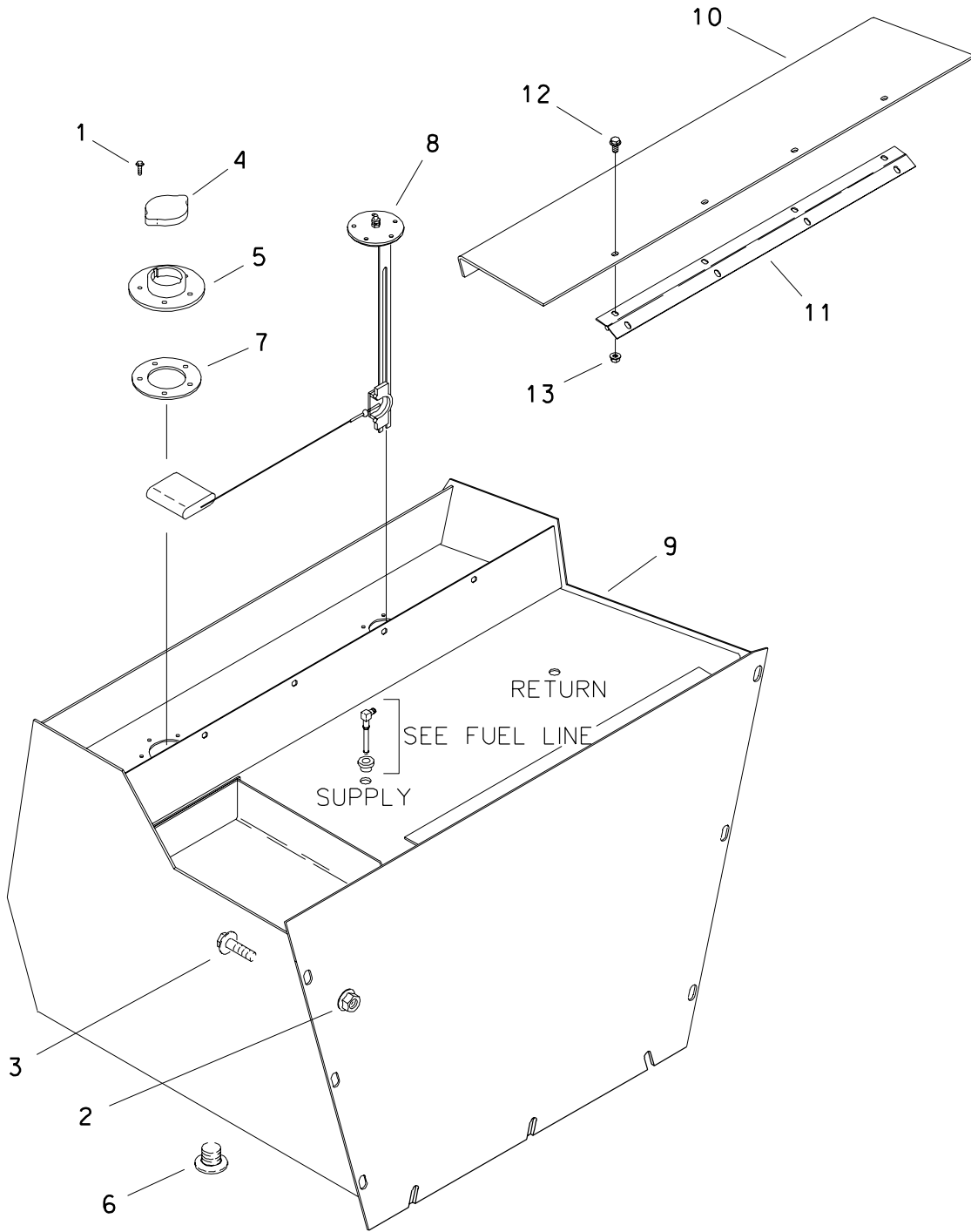
- Thank you very much for reading the preview of the manual.
- You can download the complete manual from: www.heydownloads.com by clicking the link below



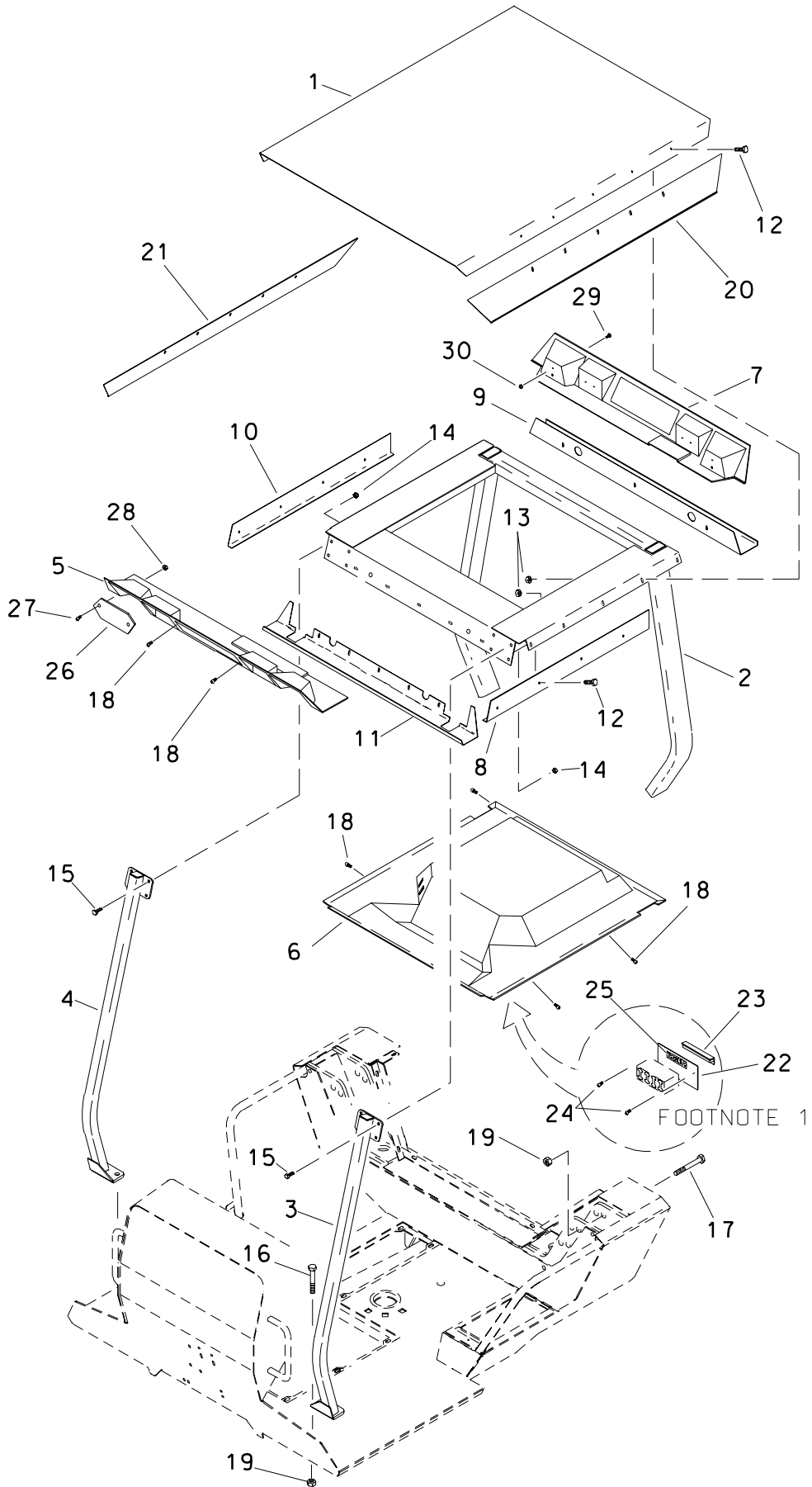
- Please note: If there is no response to CLICKING the link, please download this PDF first and then click on it.

CLICK HERE TO **DOWNLOAD** THE COMPLETE MANUAL

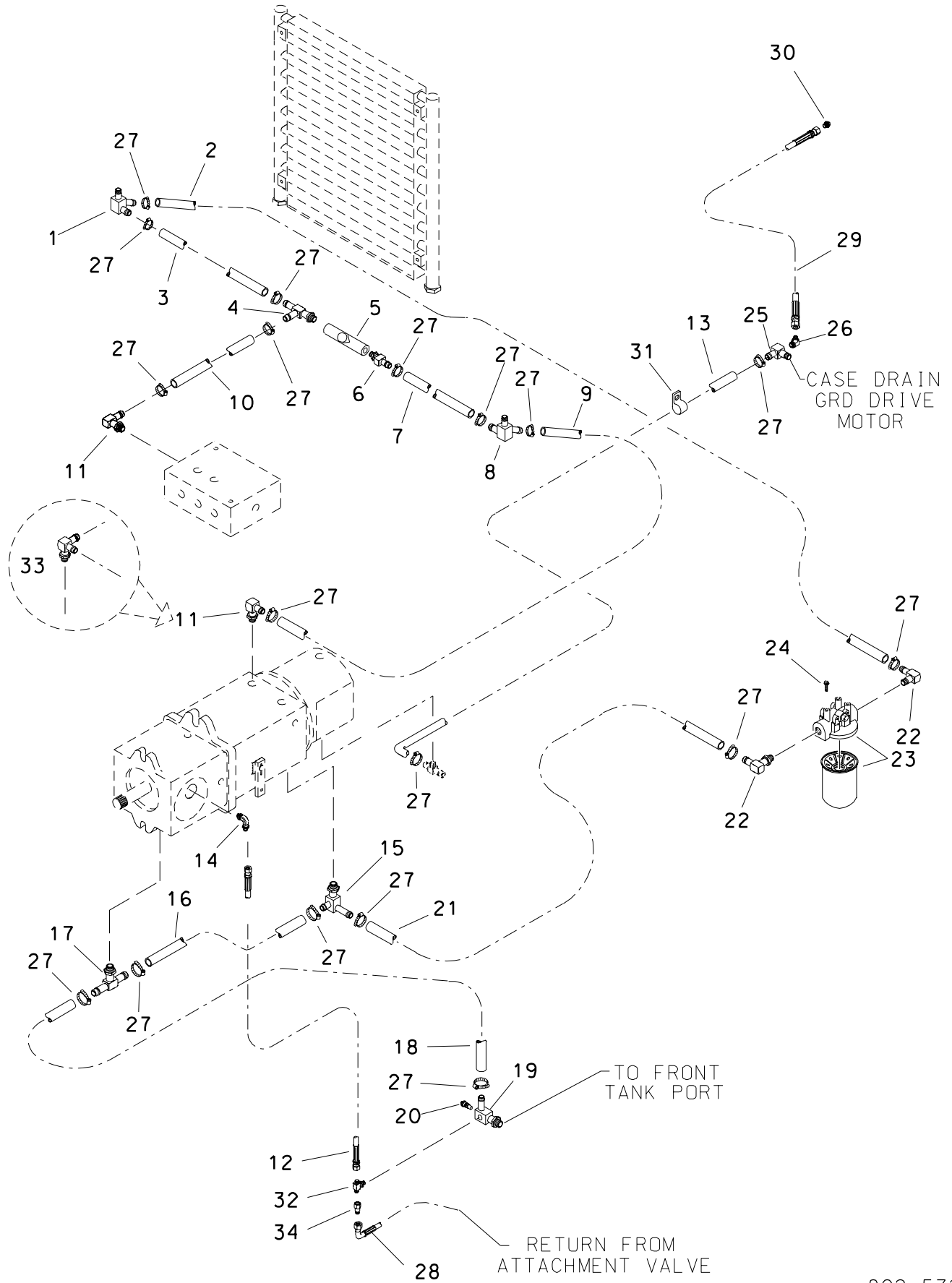
FUEL TANK



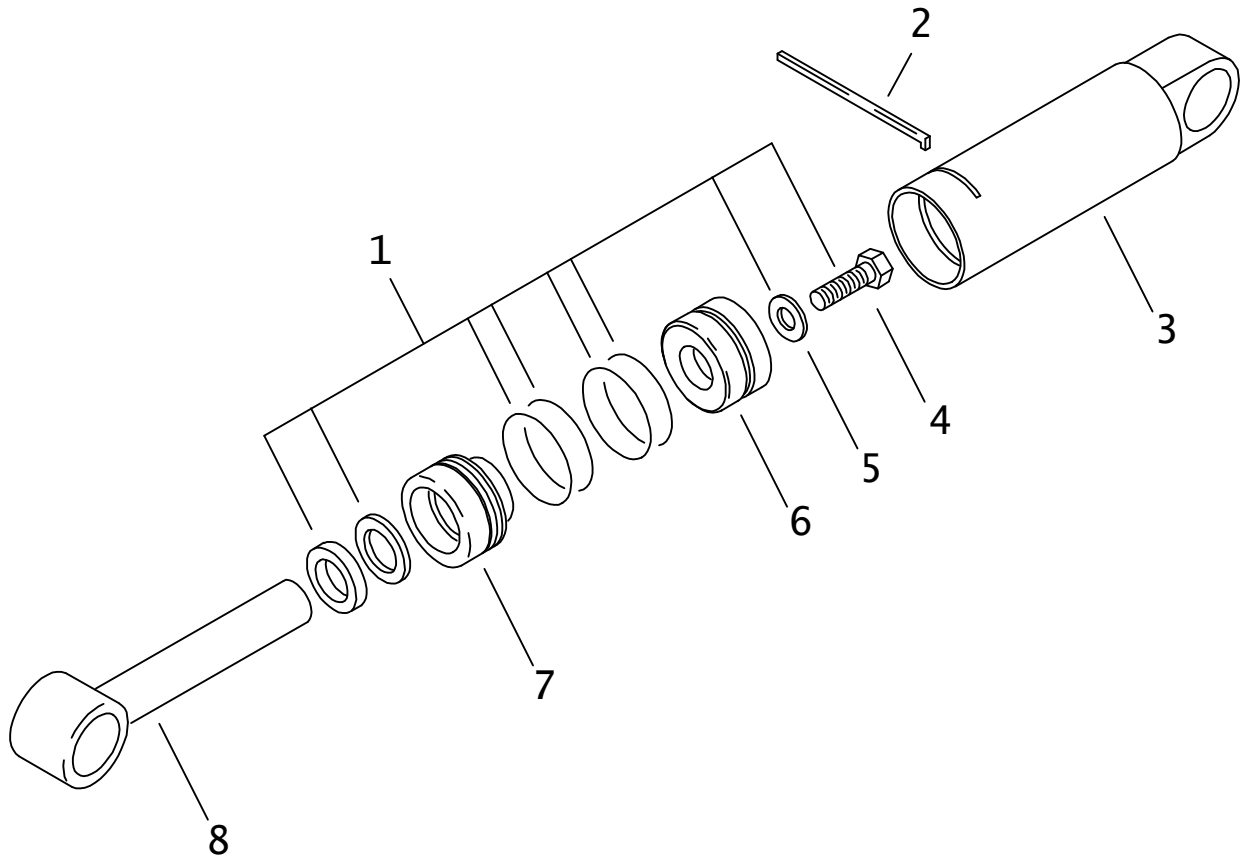
4 POST R.O.P.S.



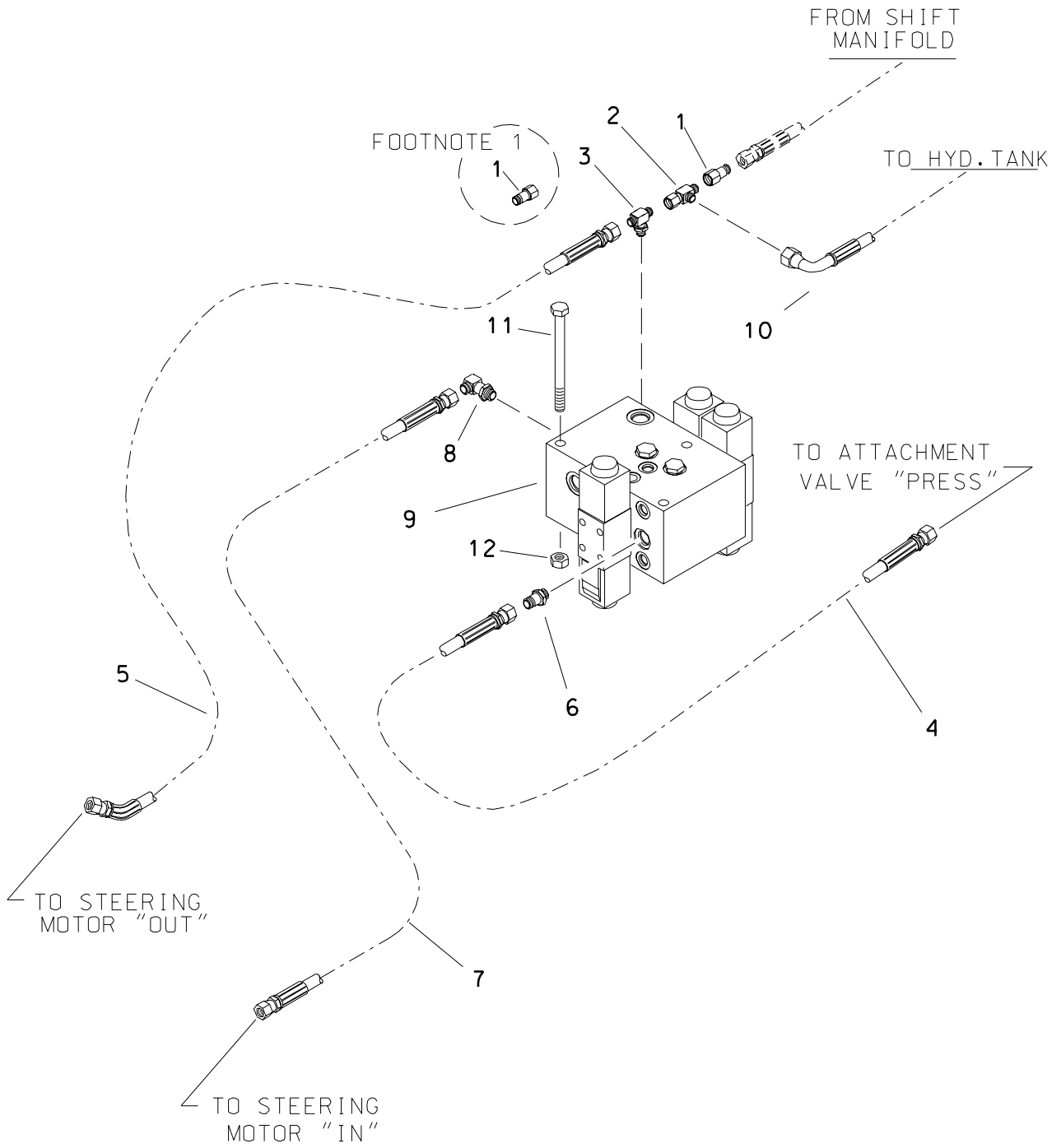
OIL COOLER HYDRAULICS



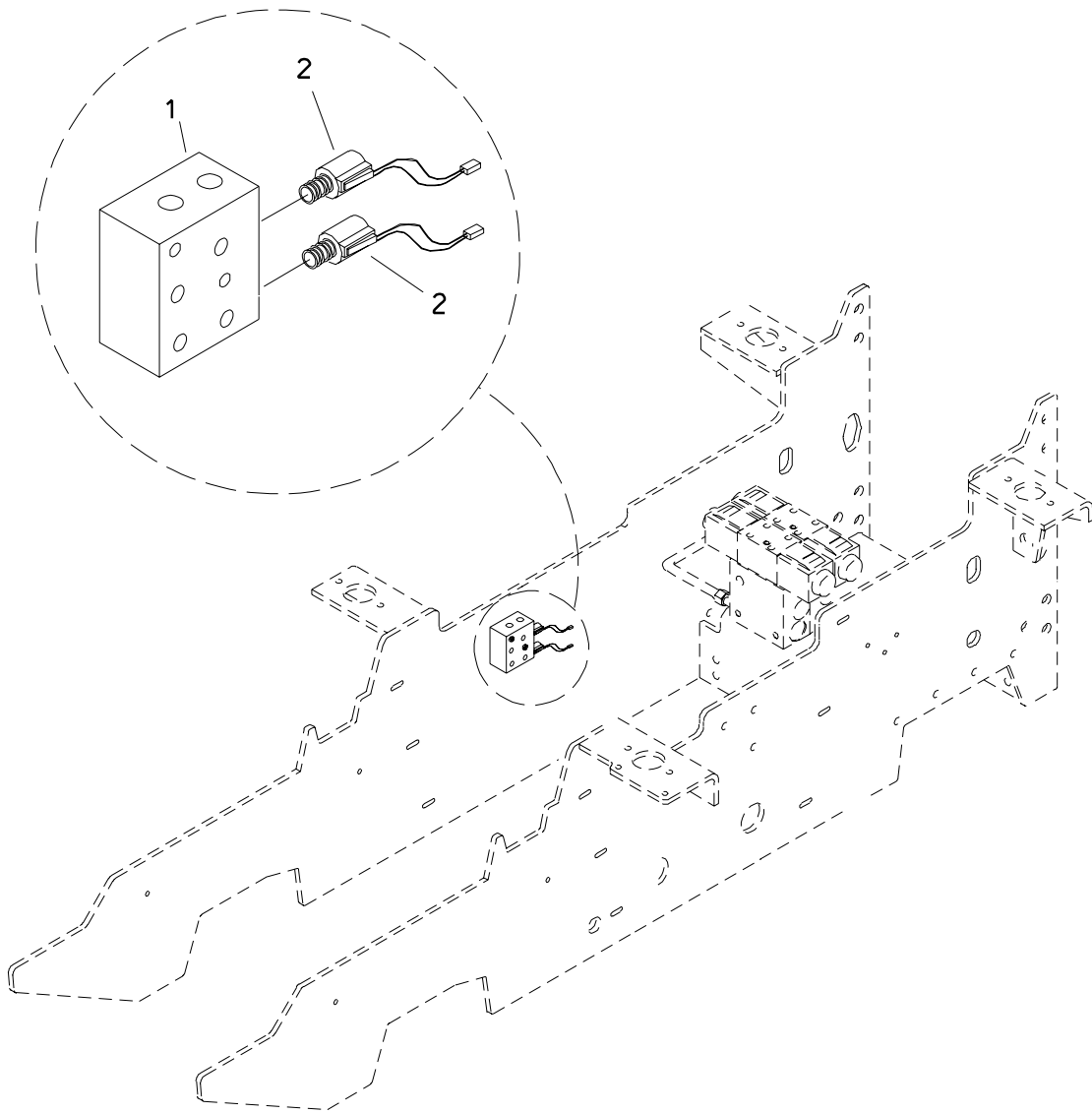
HYDRAULIC CYLINDER (3" X 1.75" X 8")



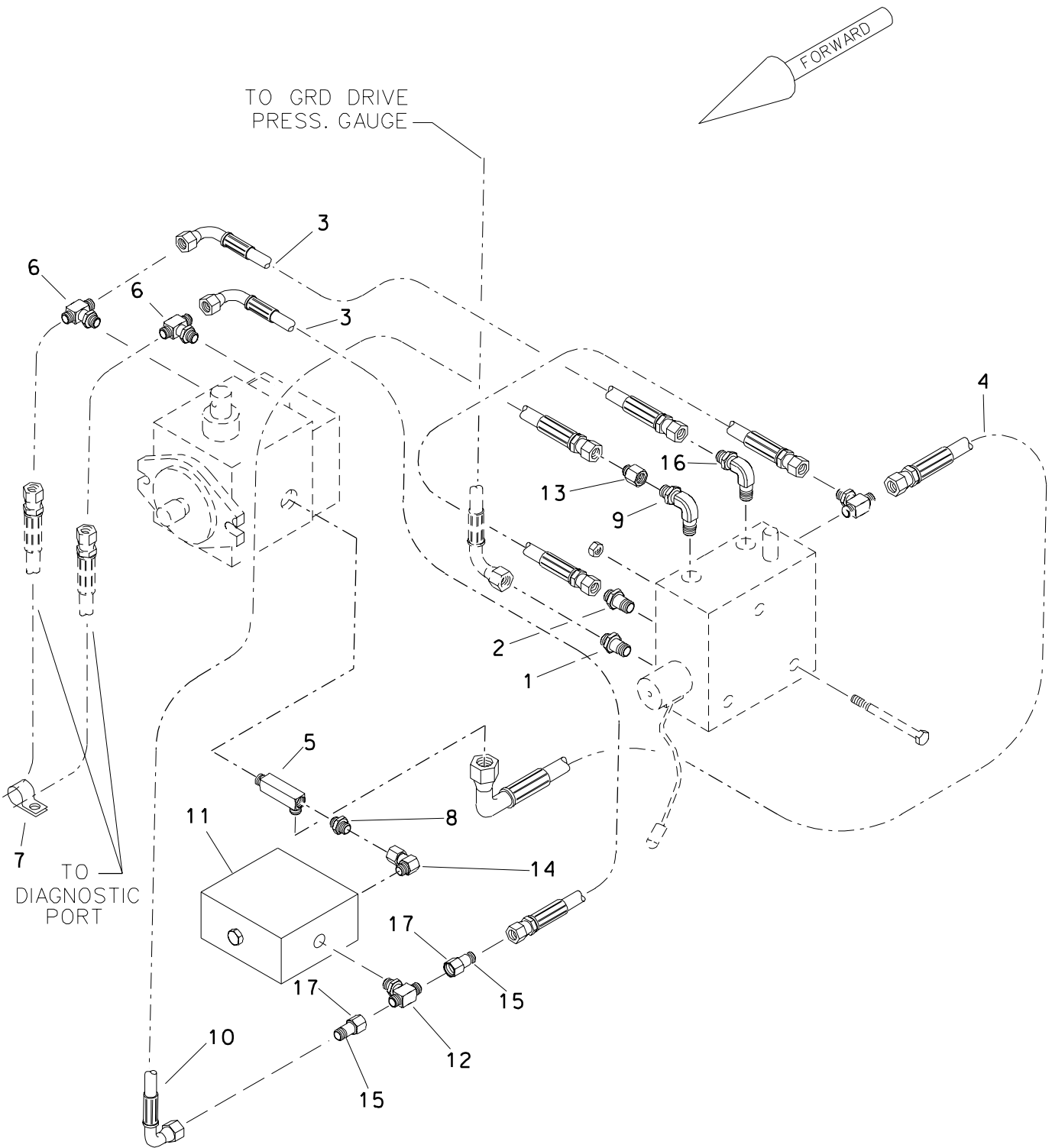
BFB MANIFOLD HYDRAULICS



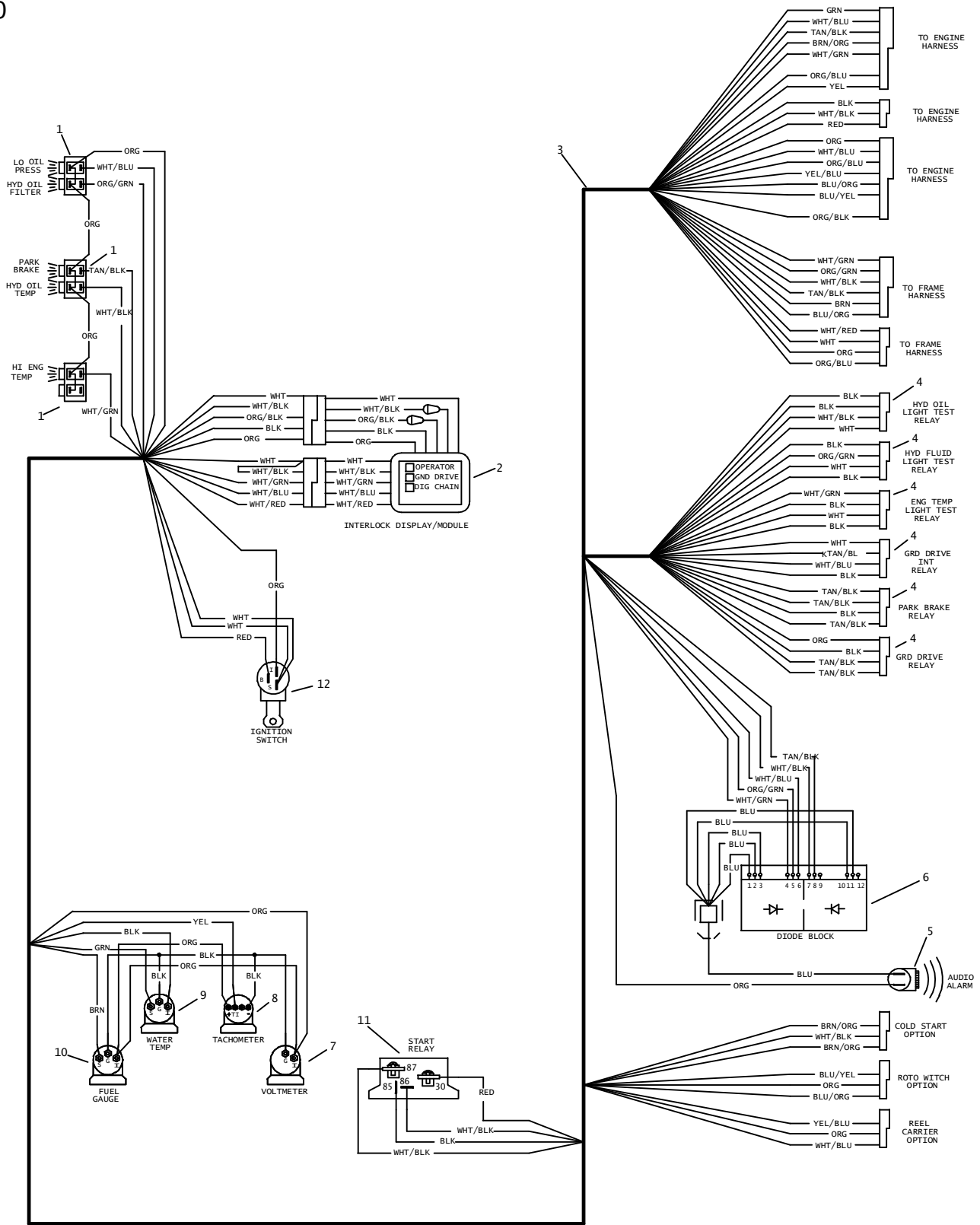
SHIFT MANIFOLD



BACKHOE CROWD CONTROL (TRACTOR) 6520 W/A620



ELECTRICAL DIAGRAM CONSOLE HARNESS 6520



CLICK HERE TO **DOWNLOAD** THE COMPLETE MANUAL

- Thank you very much for reading the preview of the manual.
- You can download the complete manual from: www.heydownloads.com by clicking the link below



- Please note: If there is no response to CLICKING the link, please download this PDF first and then click on it.

CLICK HERE TO **DOWNLOAD** THE COMPLETE MANUAL