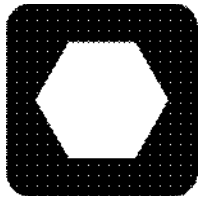


400SX

Parts Manual



CLICK HERE TO **DOWNLOAD** THE COMPLETE MANUAL

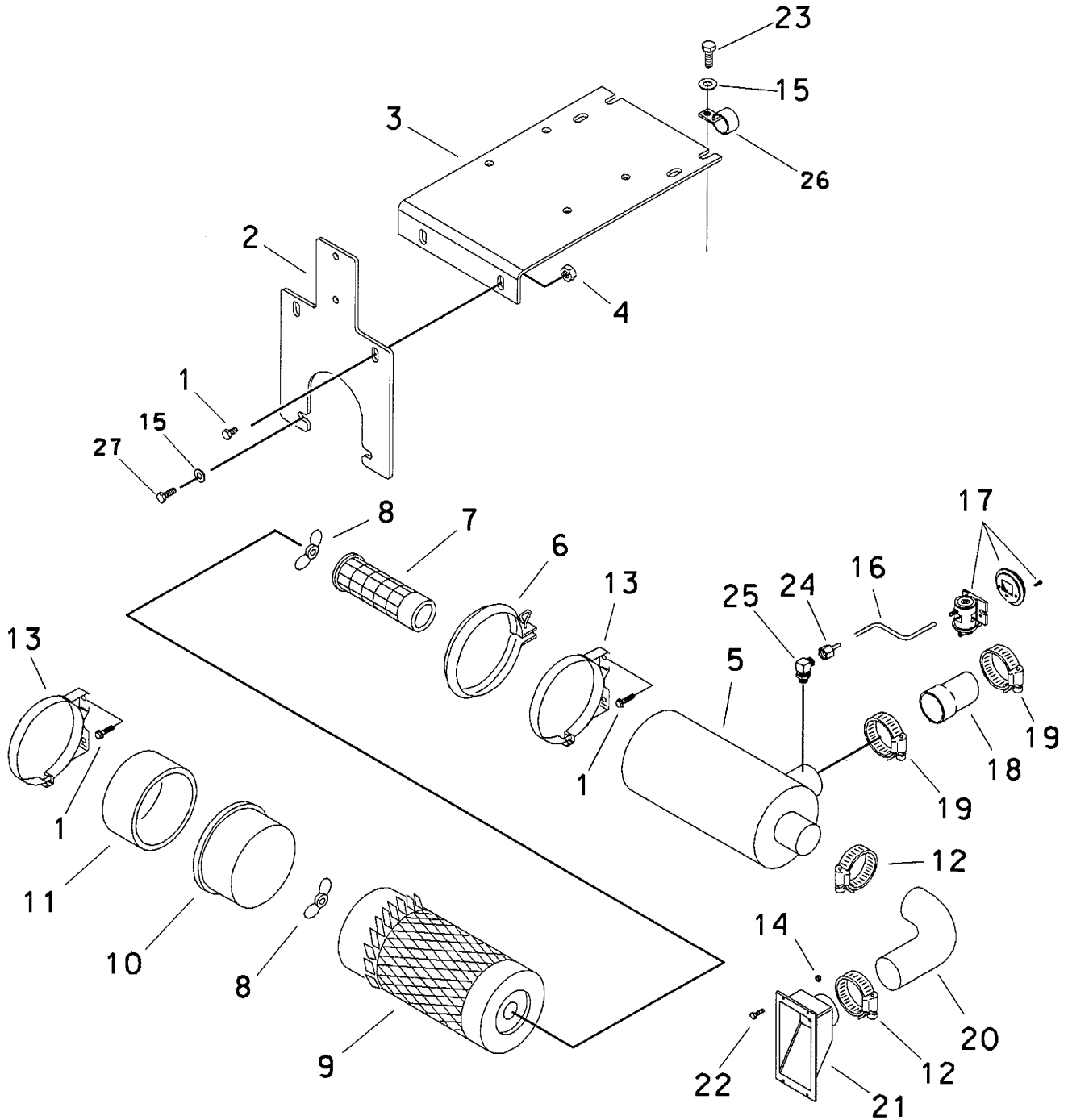
- Thank you very much for reading the preview of the manual.
- You can download the complete manual from: www.heydownloads.com by clicking the link below



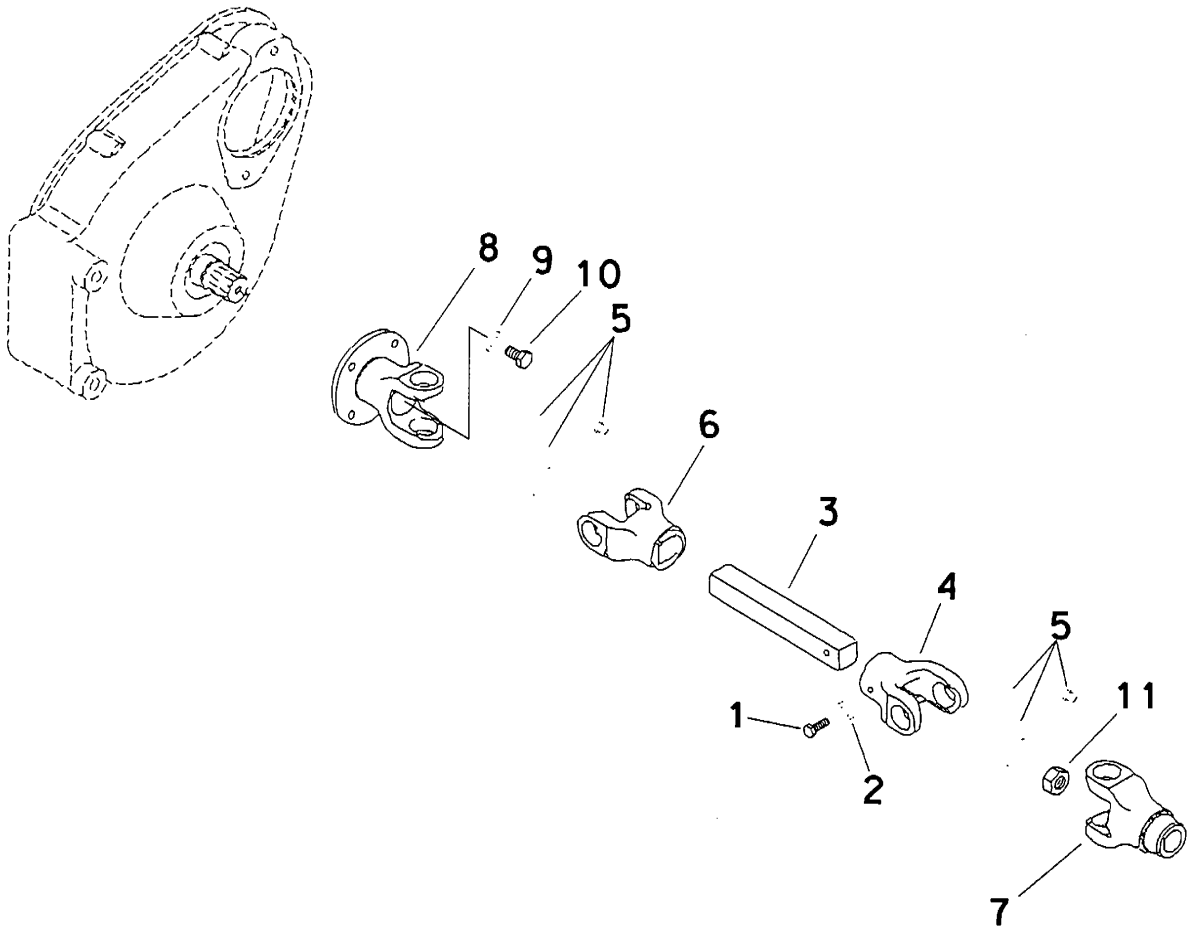
- Please note: If there is no response to CLICKING the link, please download this PDF first and then click on it.

CLICK HERE TO **DOWNLOAD** THE COMPLETE MANUAL

AIR FILTER SYSTEM

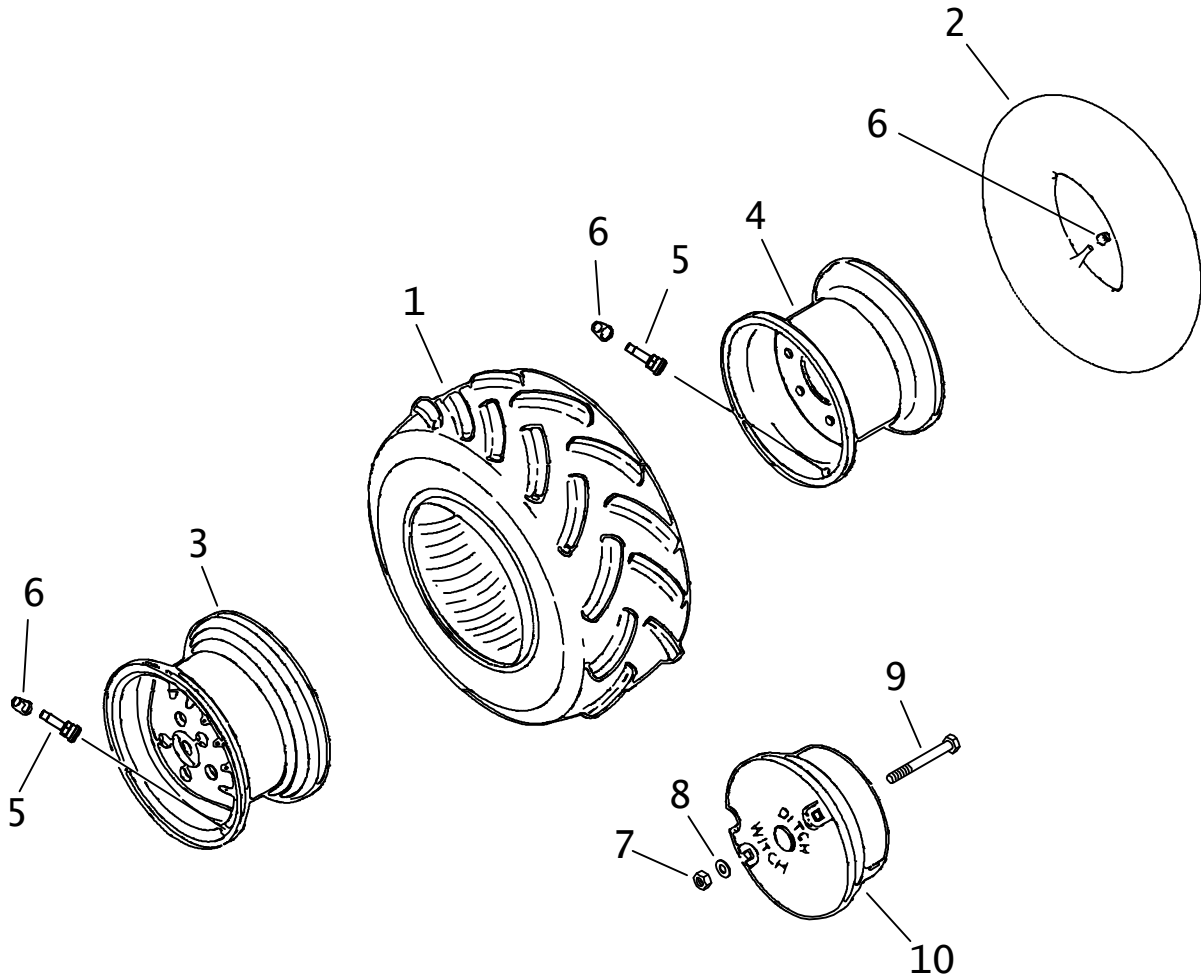


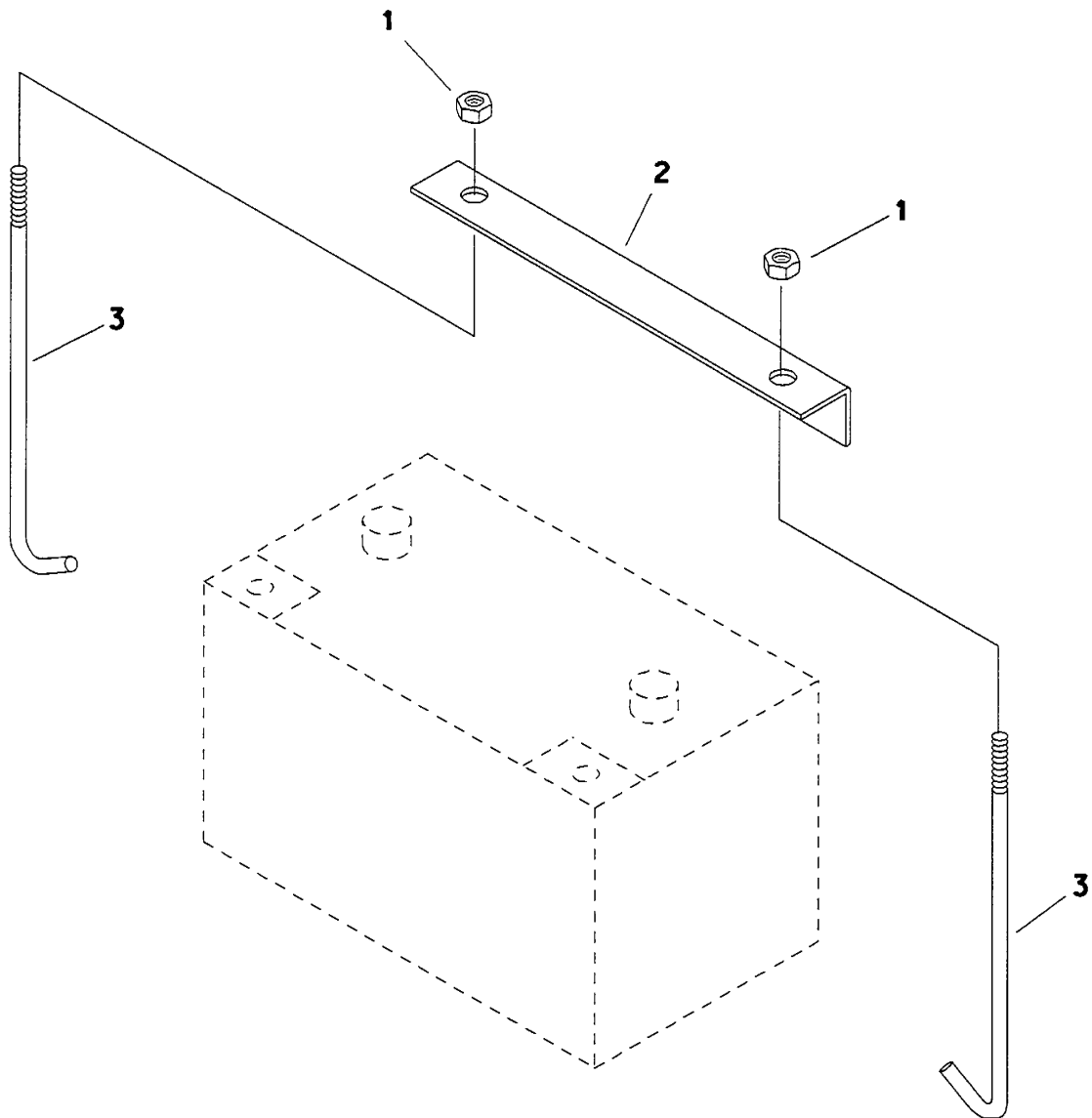
DRIVE LINE



TIRE - TUBE - WHEEL

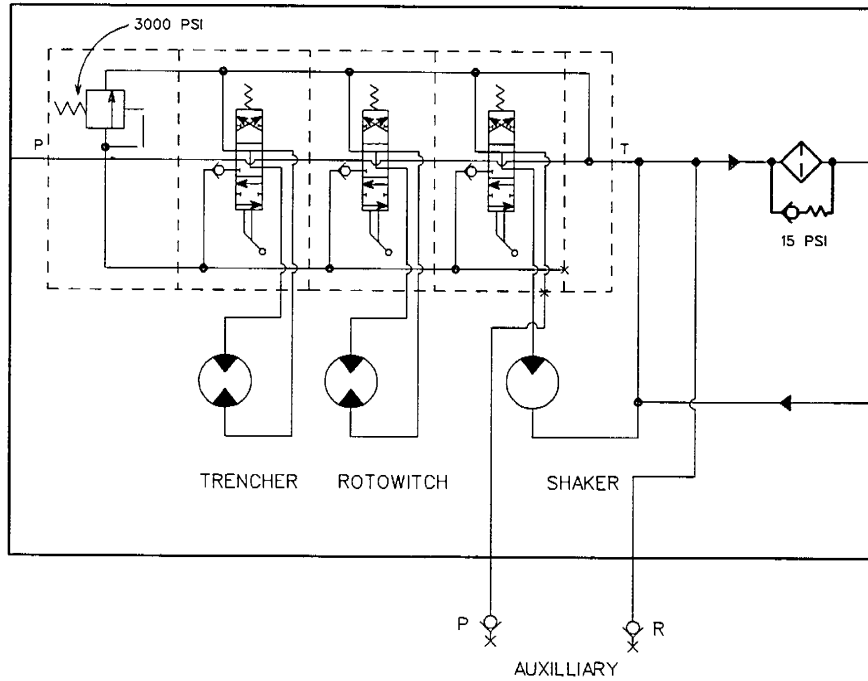
ENDS WITH S/N: DWP410SXP0002090



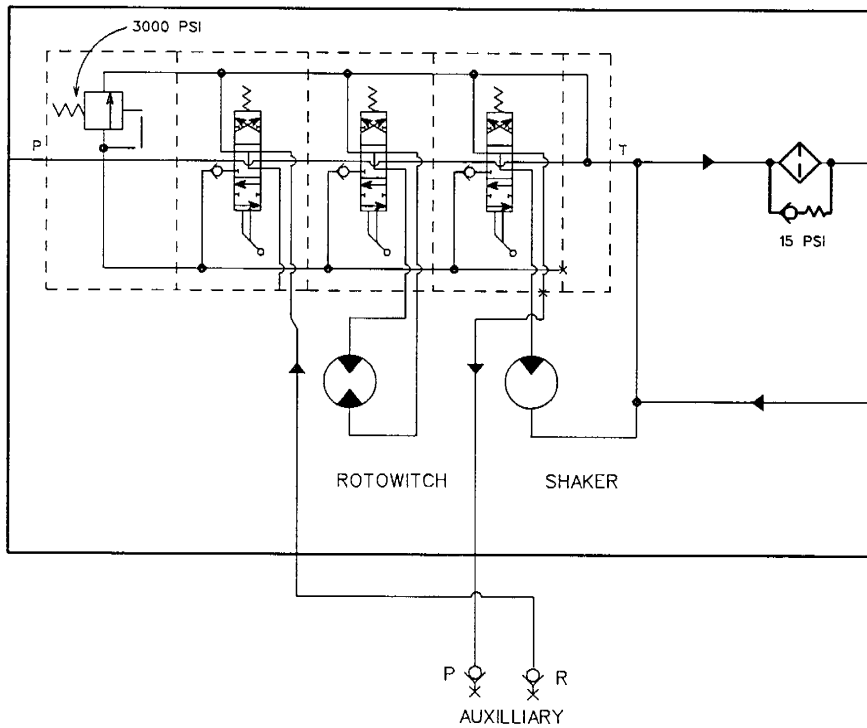
BATTERY MOUNT

AUXILLIARY SCHEMATIC

AUXILLIARY W/TRENCHER OPTION

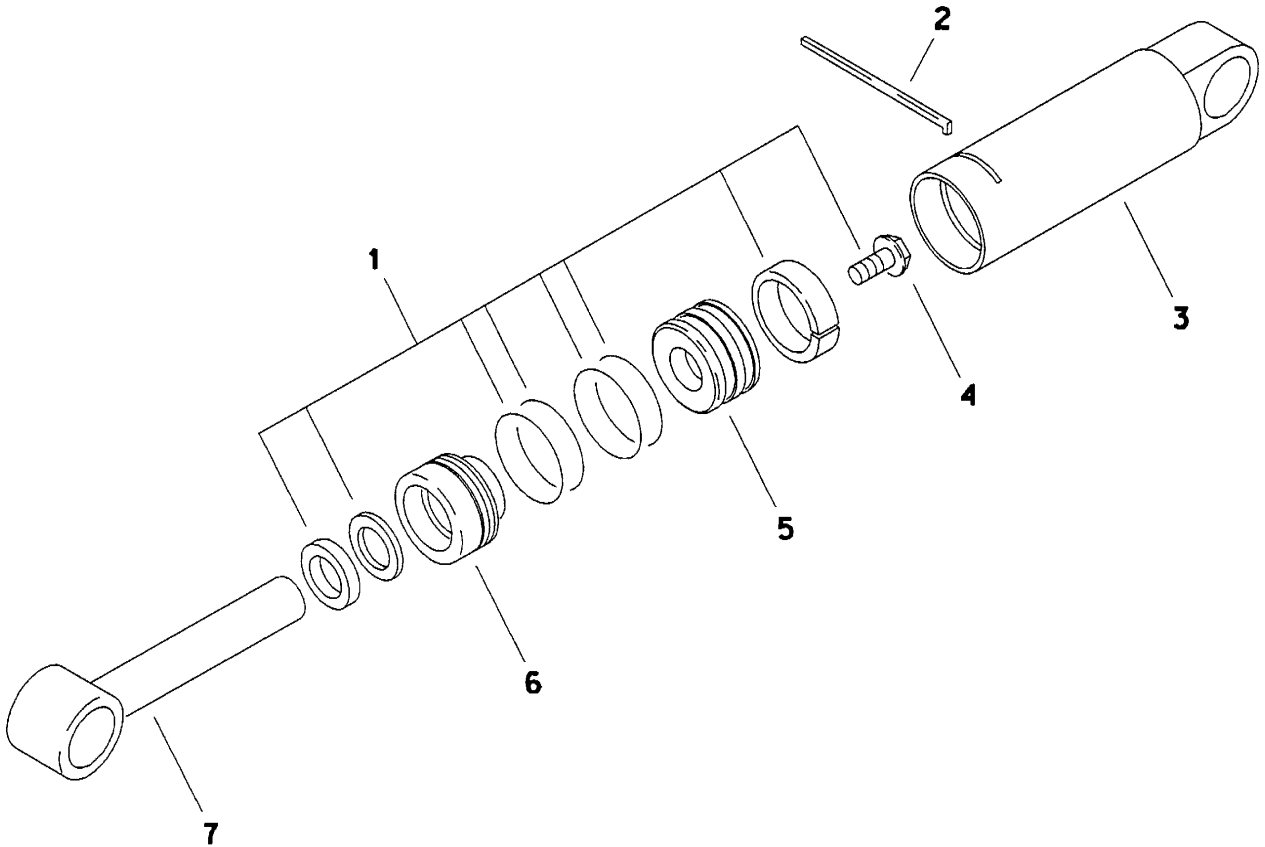


AUXILLIARY W/BACKHOE AND W/O TRENCHER AND W/O BACKHOE

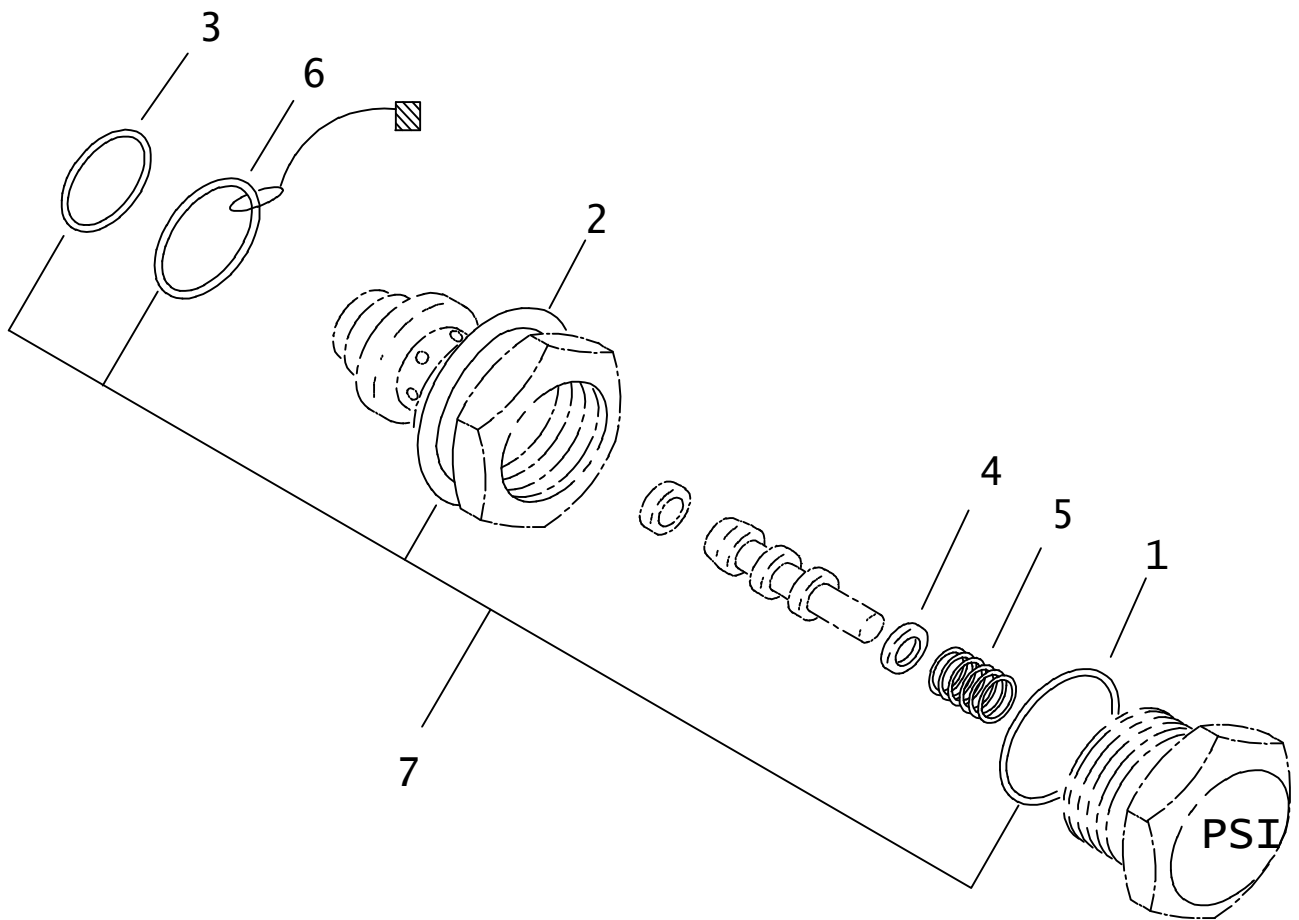


HYDRAULIC CYLINDER

2.0" ID BARREL X 1.00" OD ROD X 6.0" STROKE



RELIEF CARTRIDGE



CLICK HERE TO **DOWNLOAD** THE COMPLETE MANUAL

- Thank you very much for reading the preview of the manual.
- You can download the complete manual from: www.heydownloads.com by clicking the link below

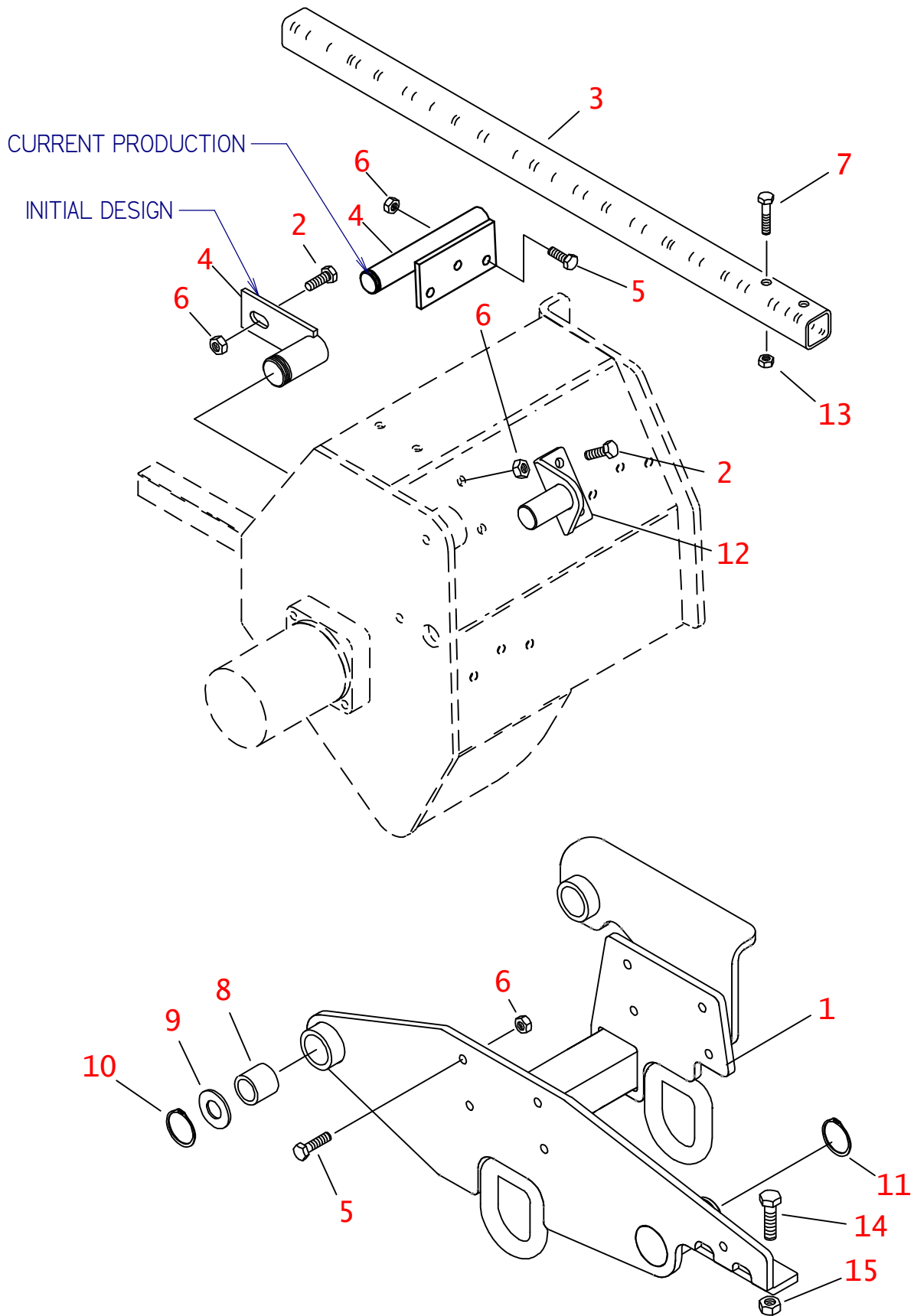


- Please note: If there is no response to CLICKING the link, please download this PDF first and then click on it.

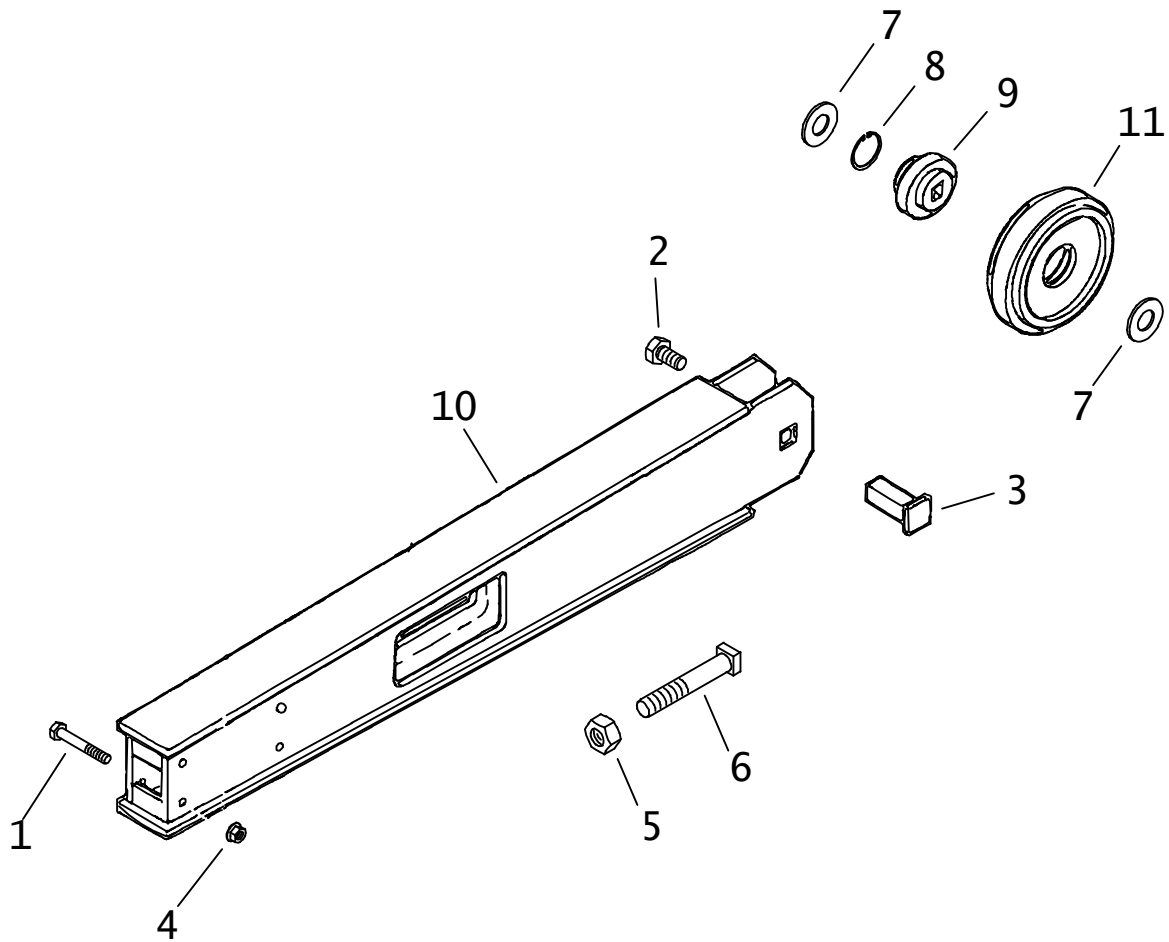
CLICK HERE TO **DOWNLOAD** THE COMPLETE MANUAL

ATTACHMENT FRAME

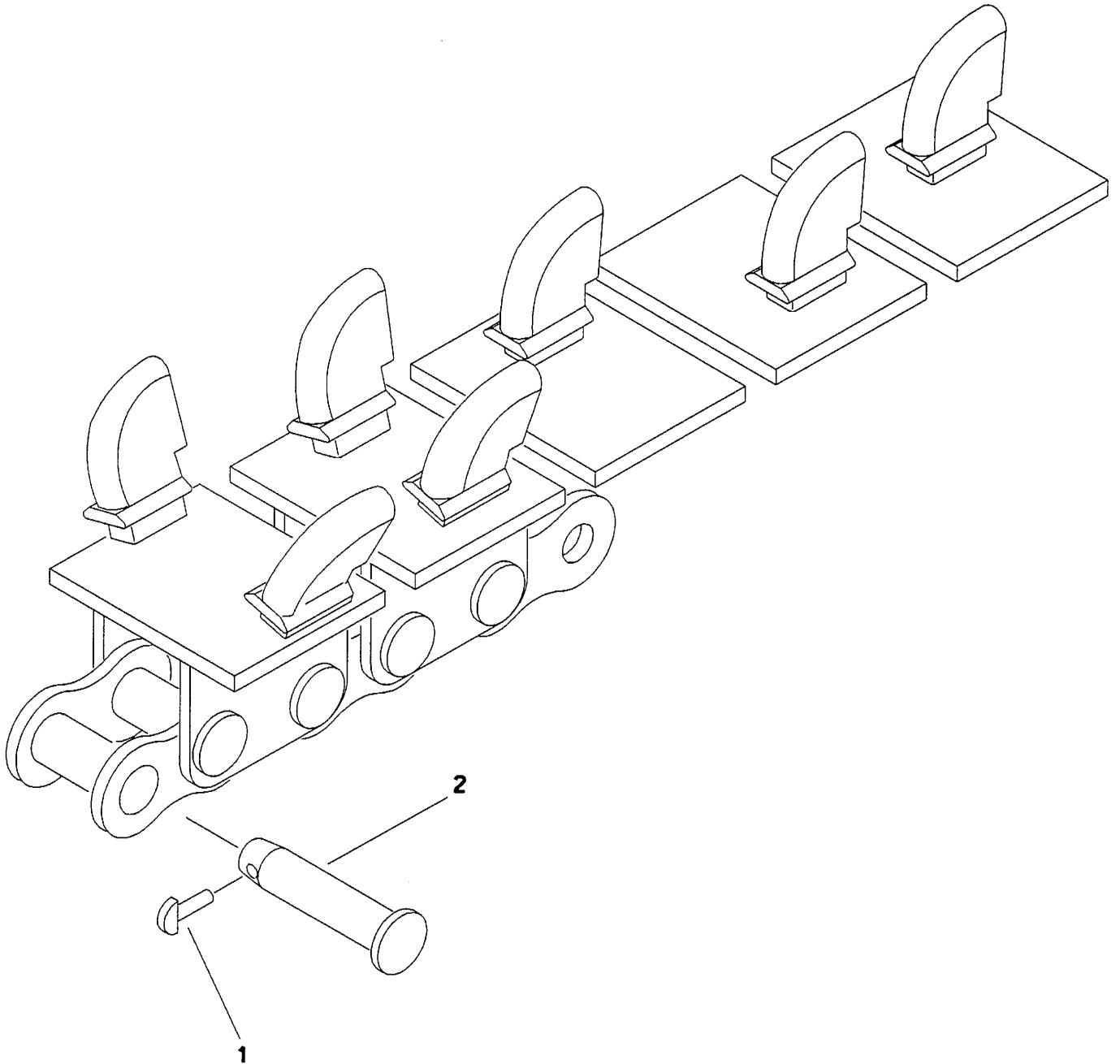
ENDS WITH S/N: DWP410SXP0002090



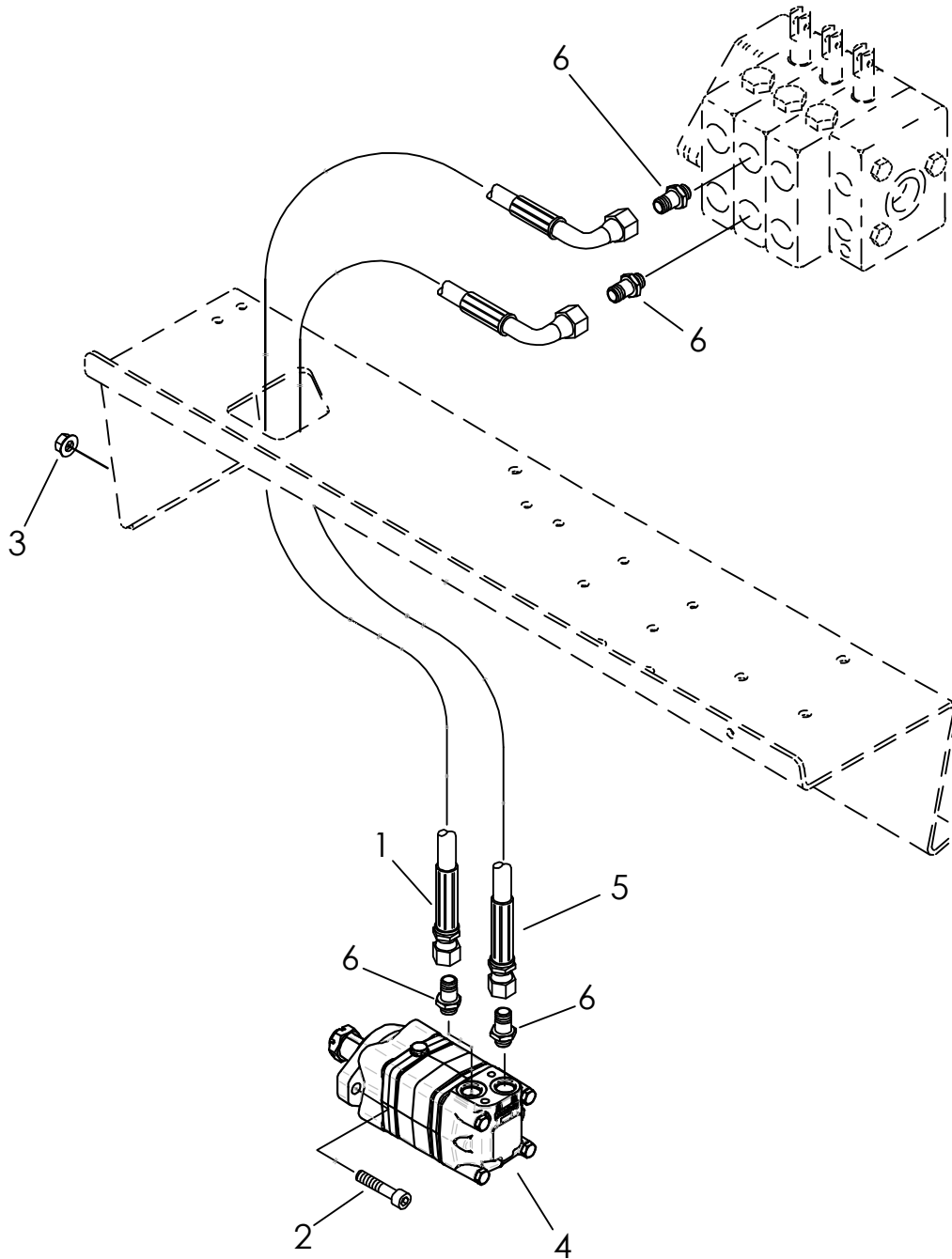
ROLLER BOOM



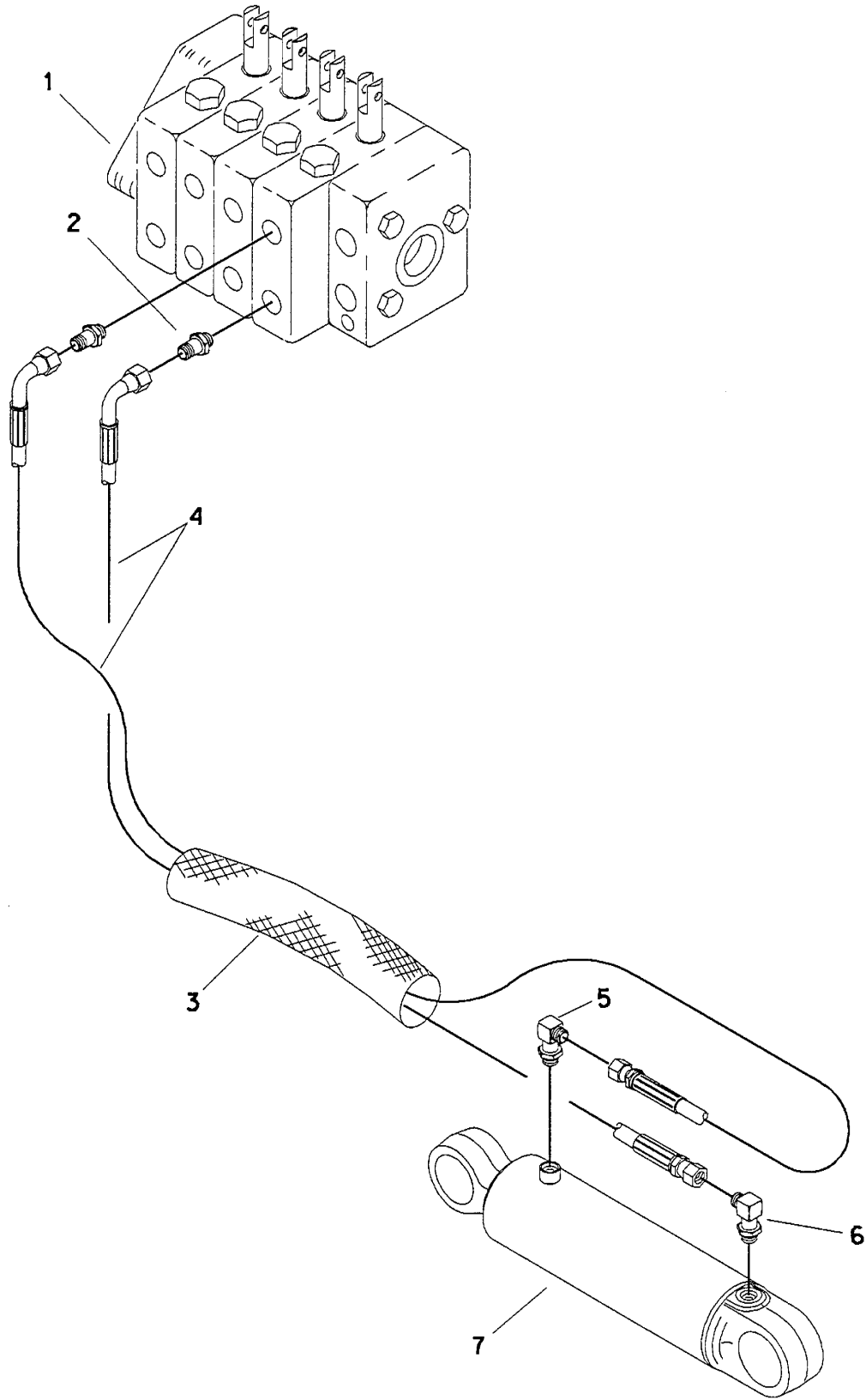
ROCK CHAIN (1.654 P - 28,000 LB)
2 PITCH SPACING - WELD ON



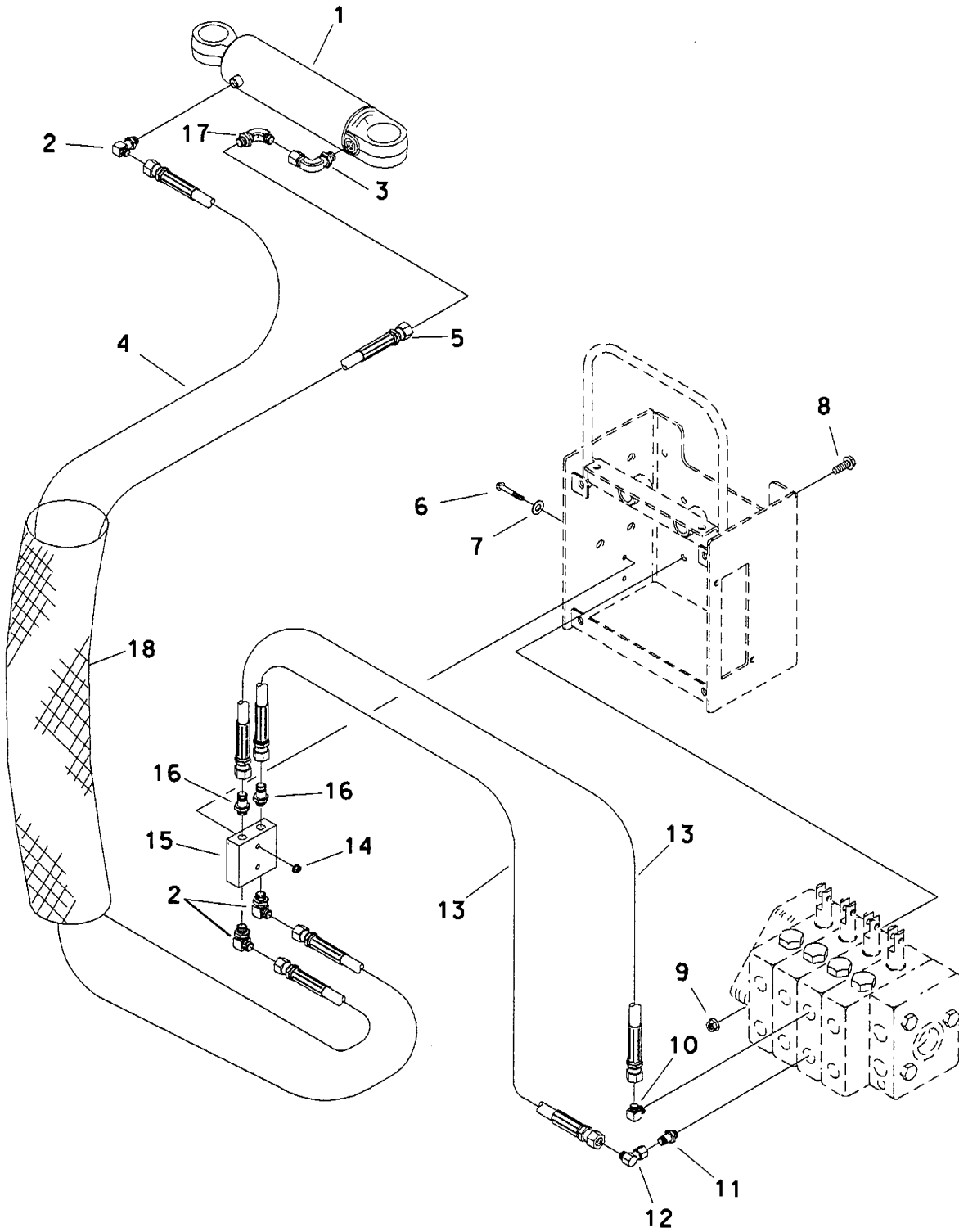
BORING ATTACHMENT HYDRAULICS



LIFT HYDRAULICS A221

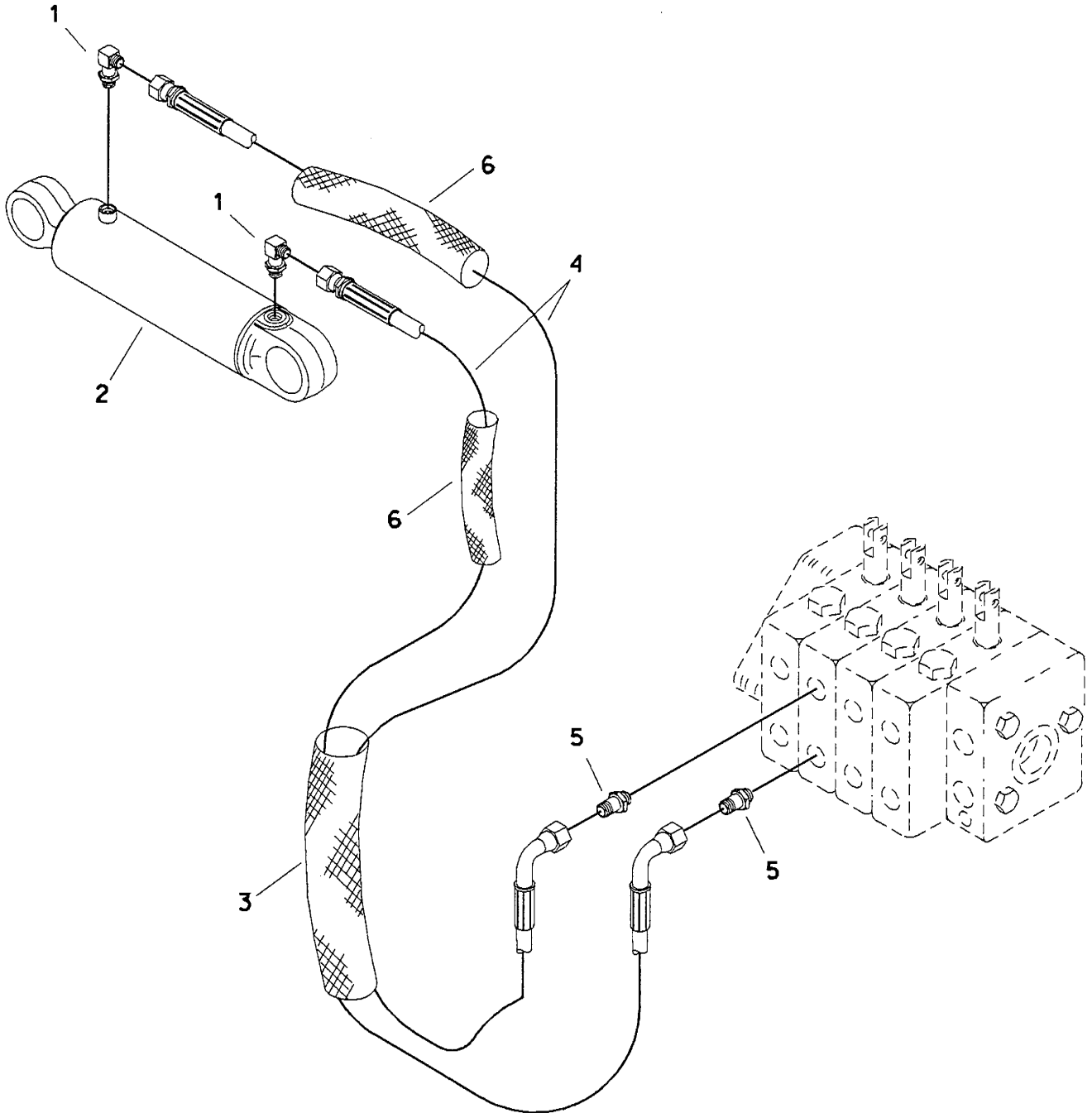


SWING HYDRAULICS A221



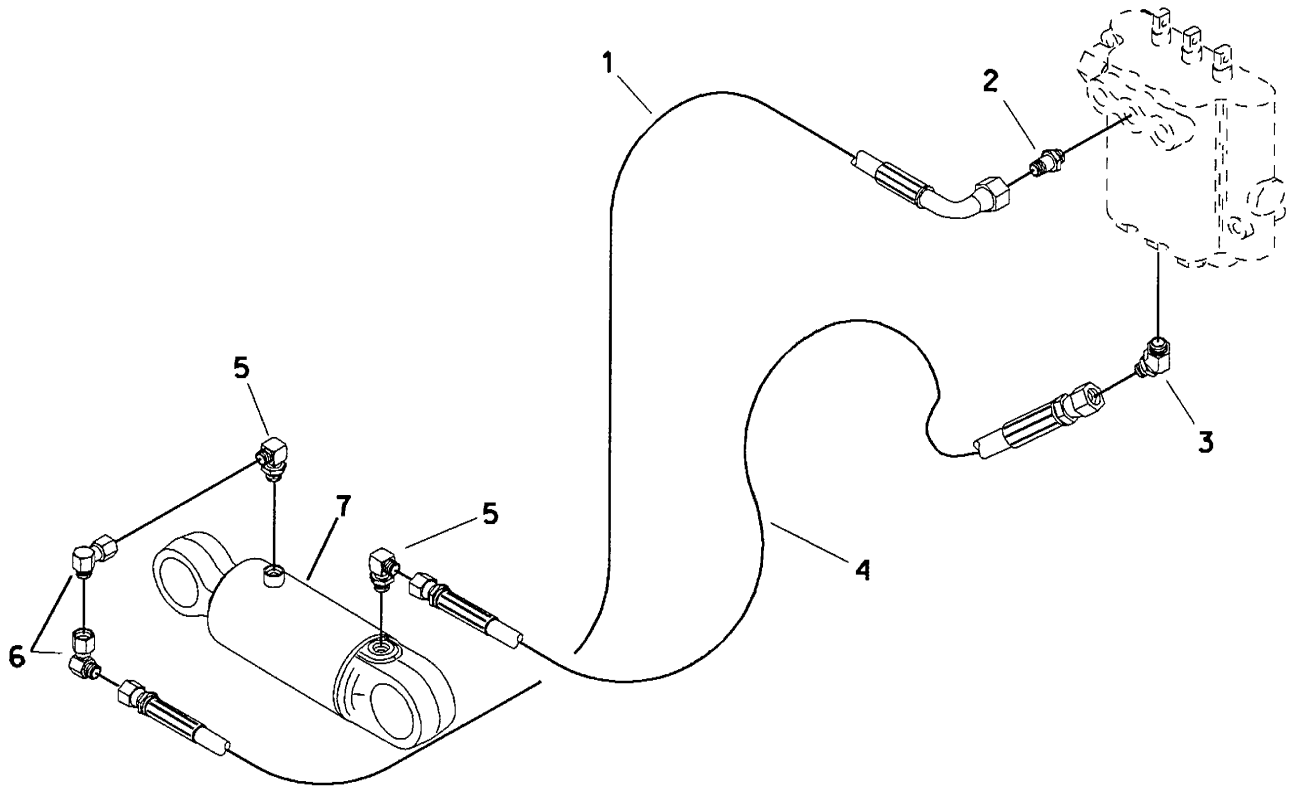
BUCKET HYDRAULICS

A221

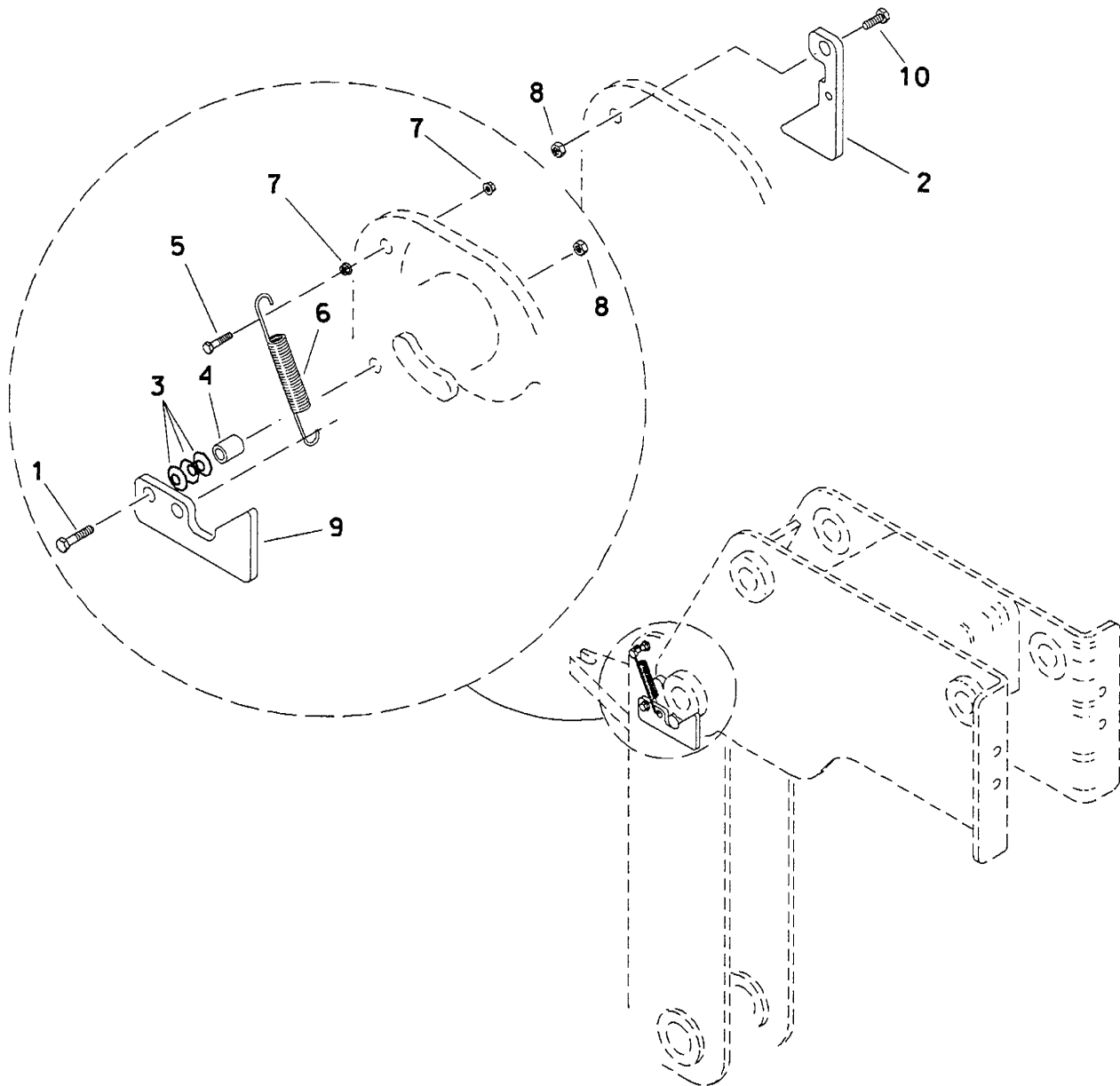


STABILIZER HYDRAULICS

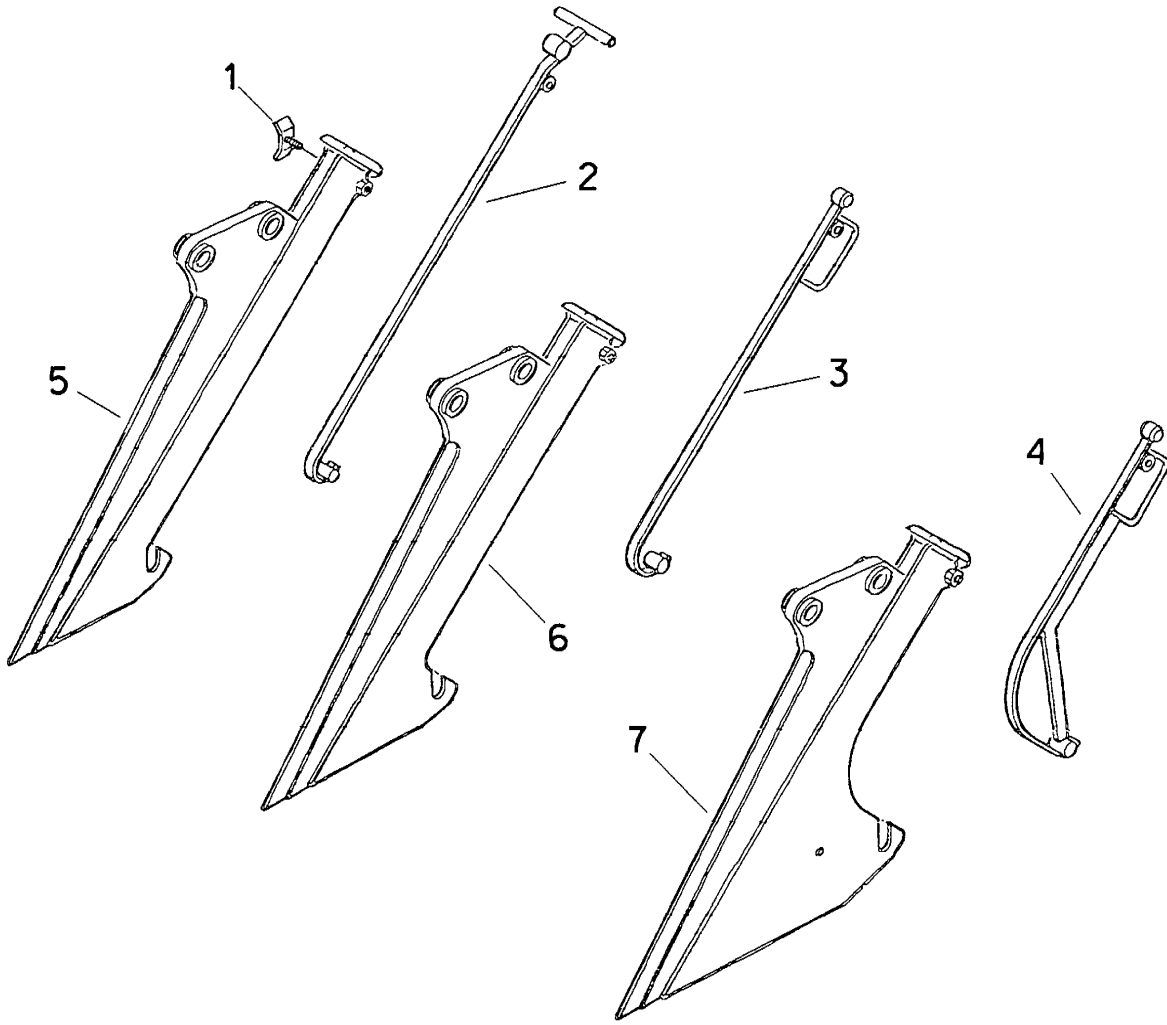
A221



SWING LOCK DELAY LATCH



FEED BLADES



CLICK HERE TO **DOWNLOAD** THE COMPLETE MANUAL

- Thank you very much for reading the preview of the manual.
- You can download the complete manual from: www.heydownloads.com by clicking the link below



- Please note: If there is no response to CLICKING the link, please download this PDF first and then click on it.

CLICK HERE TO **DOWNLOAD** THE COMPLETE MANUAL