

FAHR

Mähdrescher M 75C
selbstfahren

Moissonneuse-batteuse M 75C
automotric

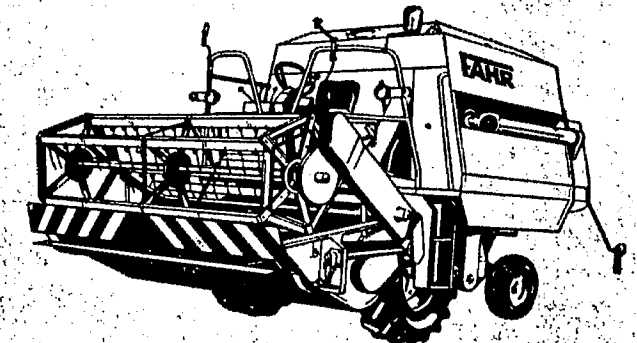
Combine Harvester M 75C
self-propelle

Mietitrebbiatrice M 75C
semovent

Cosechadora M 75C
autopropulsad

(selbstfahrende Arbeitsmaschine im Sinne des § 18 der StVZO)

Ersatzteilliste ab Masch. Nr. 2115-0011
Liste de Pièces de Rechange à partir de Mach. No. 2115-0011
Spare Parts List from Mach. Nr. 2115-0011
Elenco dei Pezzi di Ricambio a partire da Macch. No. 2115-0011
Lista de Piezas de Recambio a partir de Máquina No. 2115-0011



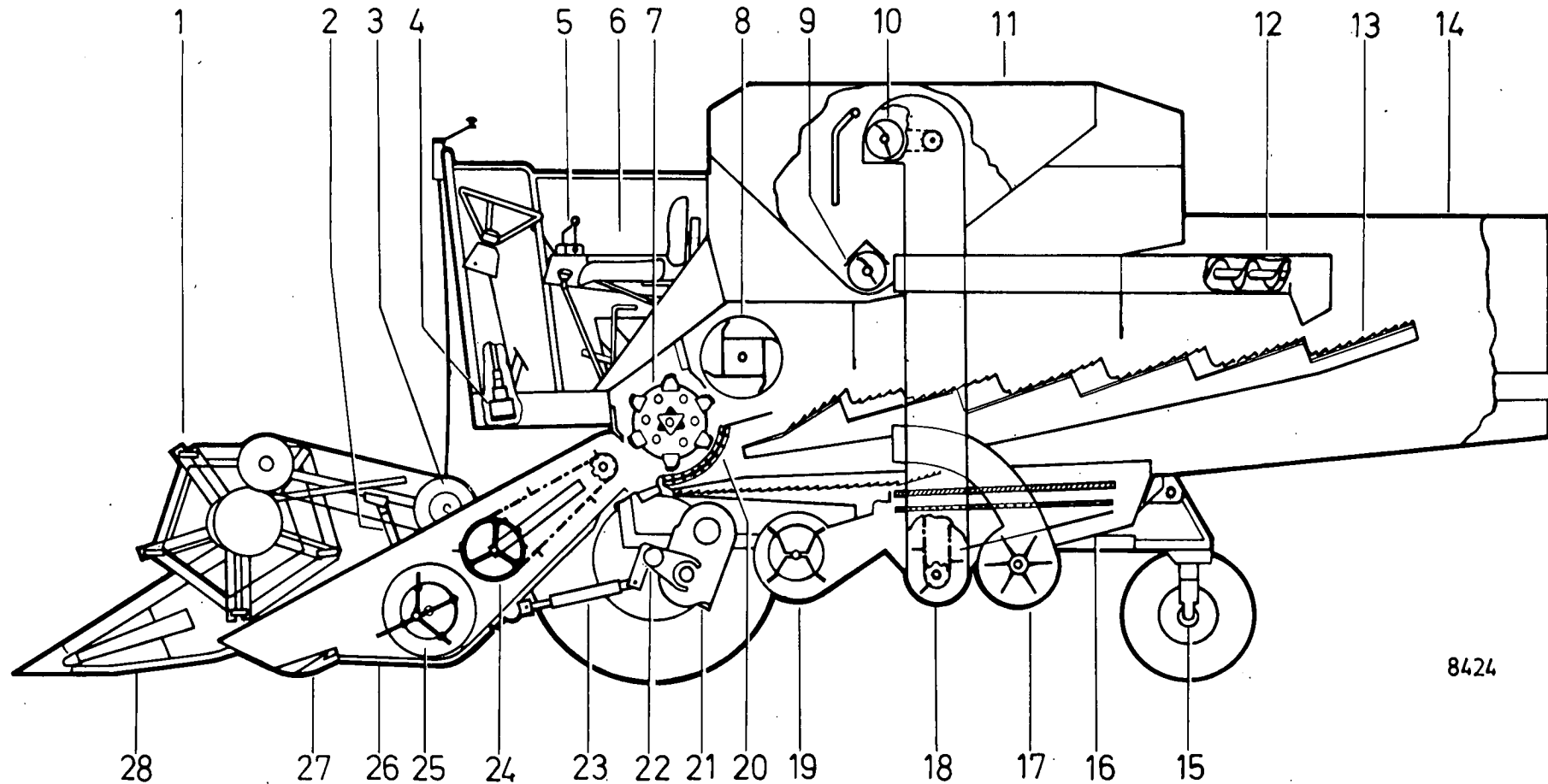
CLICK HERE TO **DOWNLOAD** THE COMPLETE MANUAL

- Thank you very much for reading the preview of the manual.
- You can download the complete manual from: www.heydownloads.com by clicking the link below



- Please note: If there is no response to CLICKING the link, please download this PDF first and then click on it.

CLICK HERE TO **DOWNLOAD** THE COMPLETE MANUAL



8424

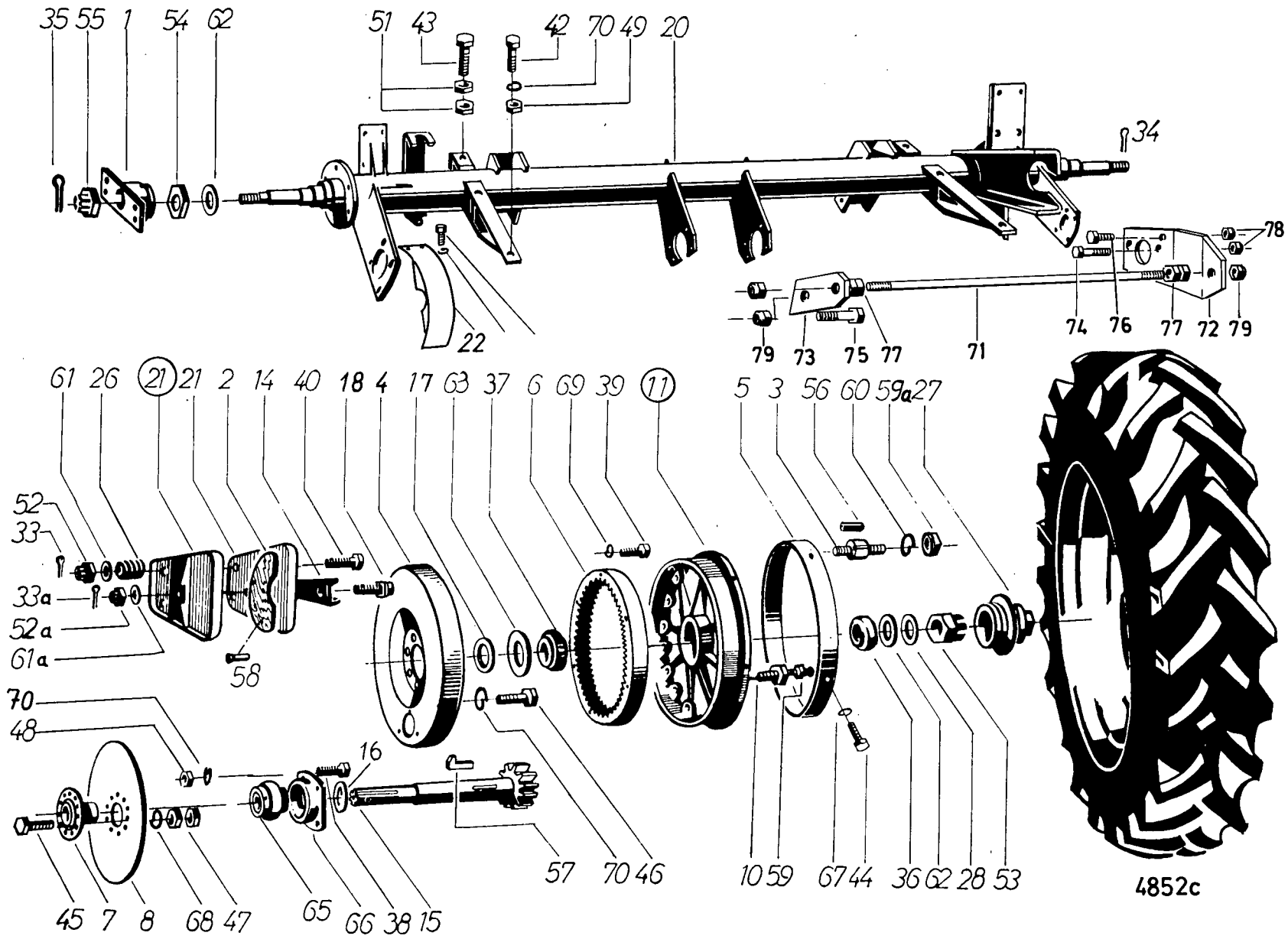
Schnittbild M 750

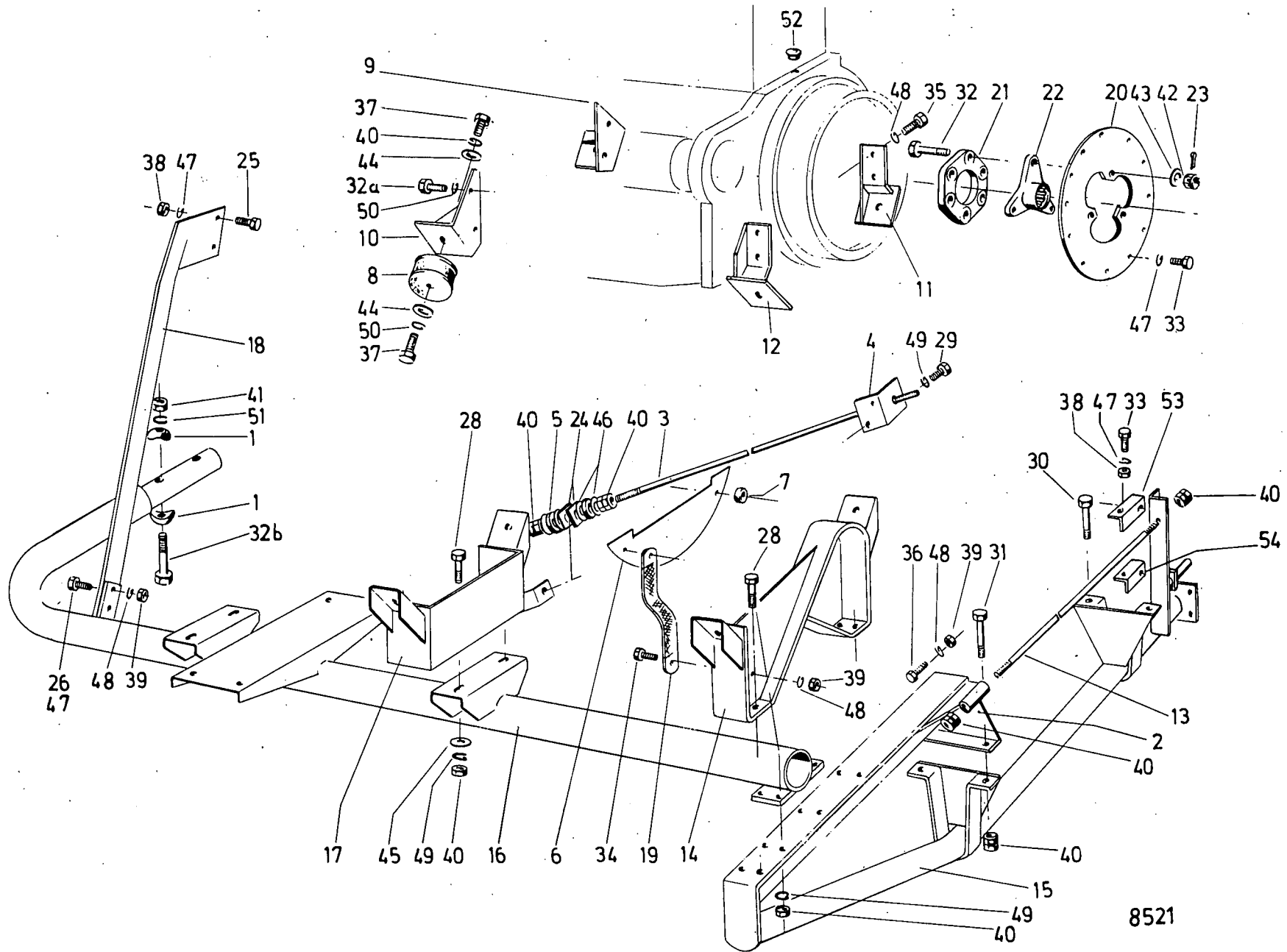
- 1 Haspel
- 2 Haspel-Druckzylinder
- 3 Stufenloser Haspelantrieb
- 4 Hydrostatische Lenkung
- 5 Hydr. Bedienungselemente
- 6 Fahrerstand-Bedienungselemente
- 7 Dreschtrommel

- 8 Wendetrommel
- 9 Korntank-Entleerungsschnecke
- 10 Füllschnecke
- 11 Korntank
- 12 Korntank-Entleerungsrohr
- 13 Horden-Schüttler
- 14 Stohhaube

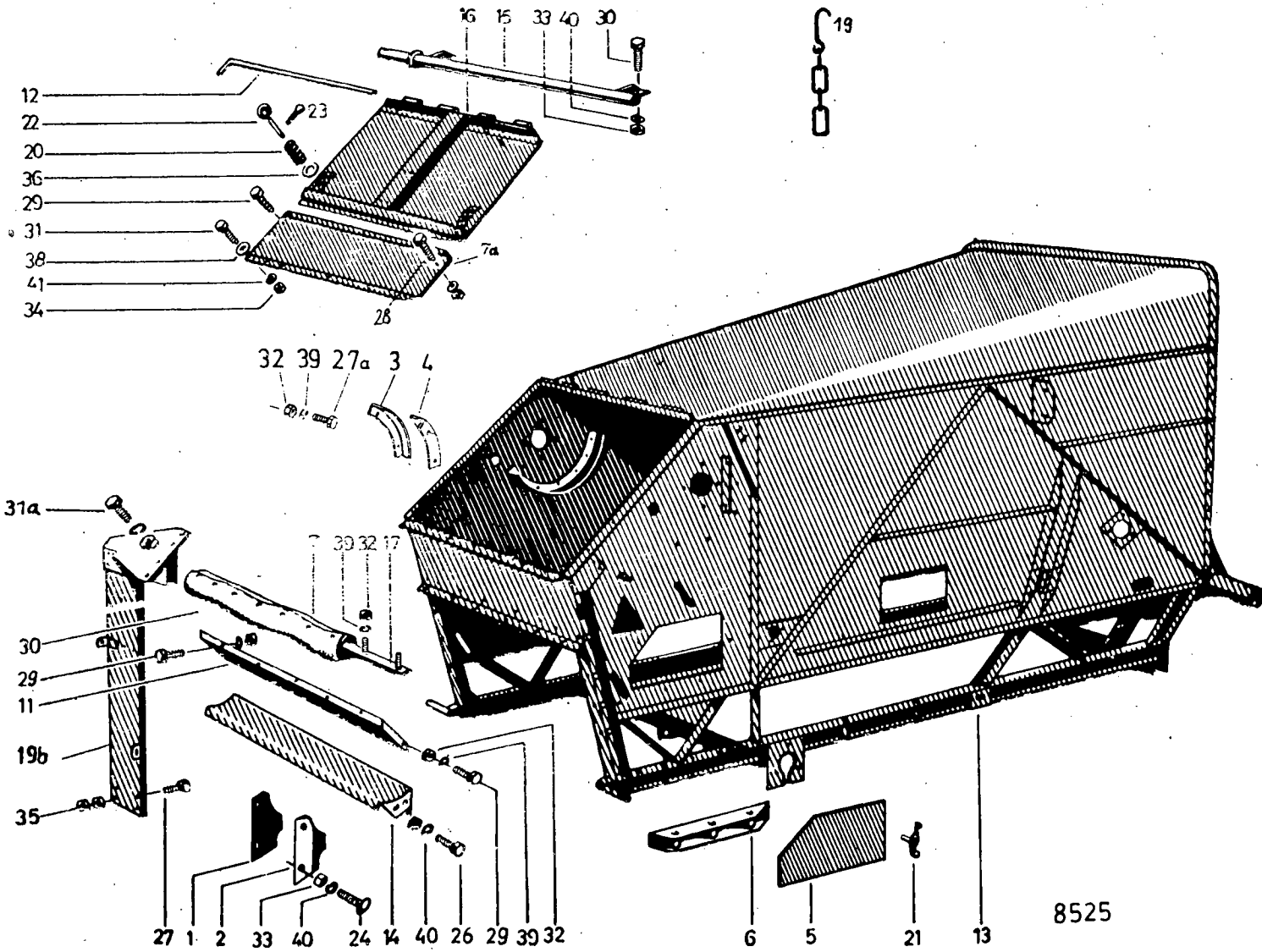
- 15 Lenkachse
- 16 Siebkasten
- 17 Wurf-Elevator
- 18 Körner-Elevator
- 19 Gebläse
- 20 Dreschkorb
- 21 Schaltgetriebe

- 22 Antriebsachse
- 23 Mähwerkhubzylinder
- 24 Kettenförderer
- 25 Einzugsschnecke
- 26 Mähwerkwanne
- 27 Mähbalken
- 28 Abteiler

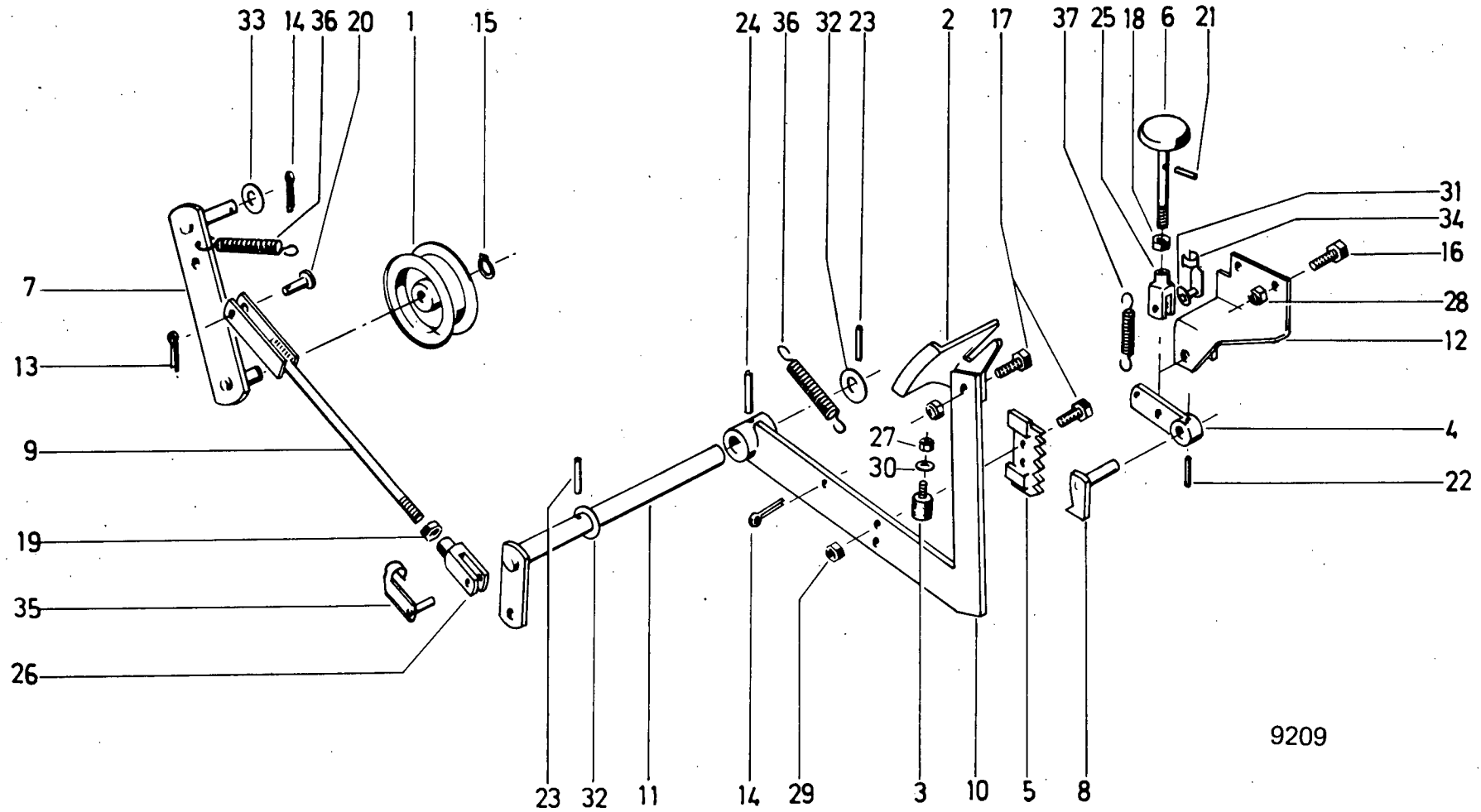




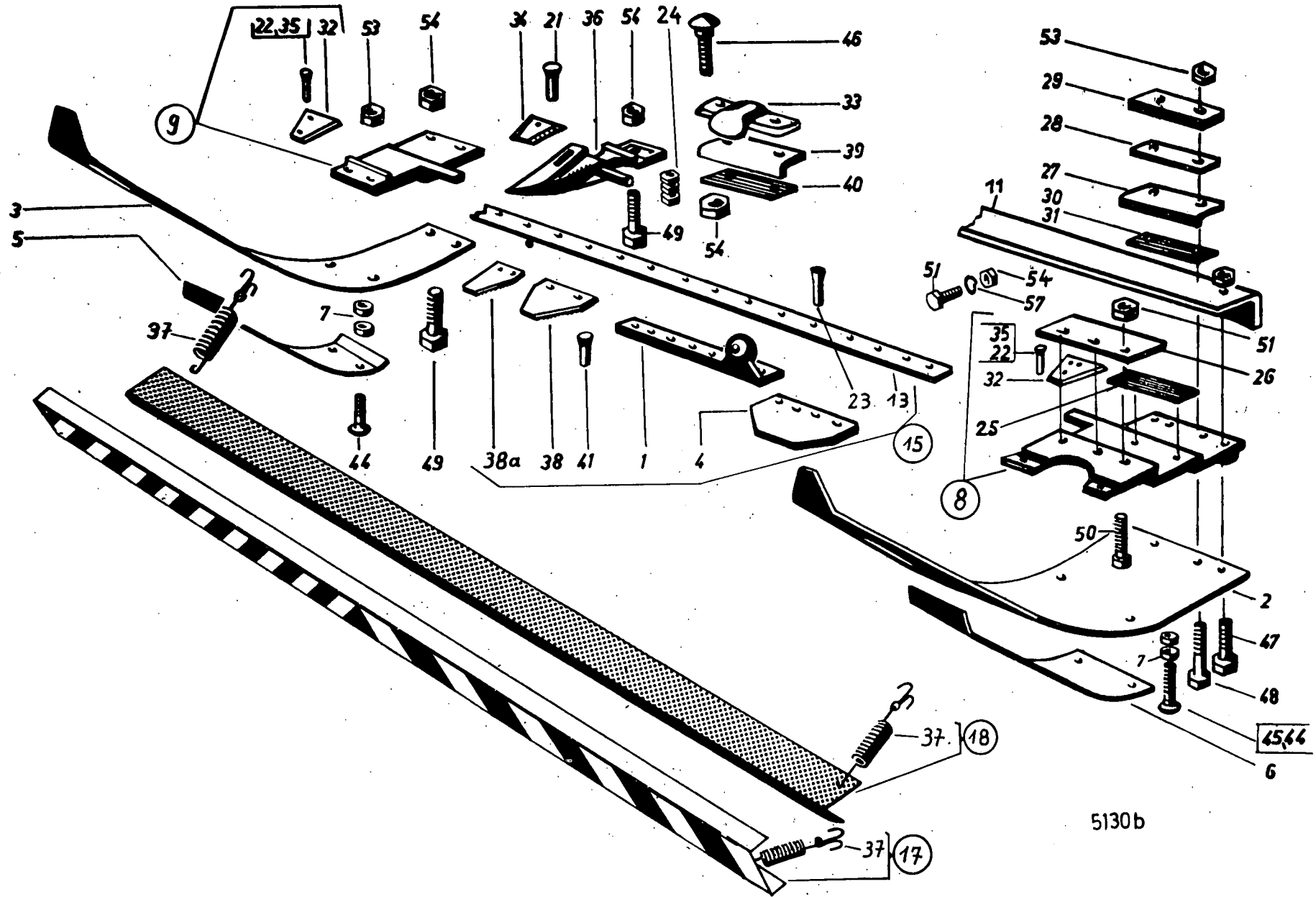
8521

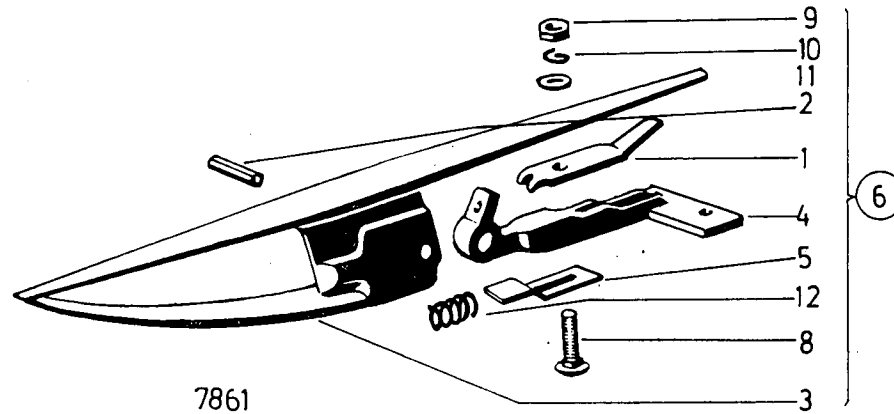
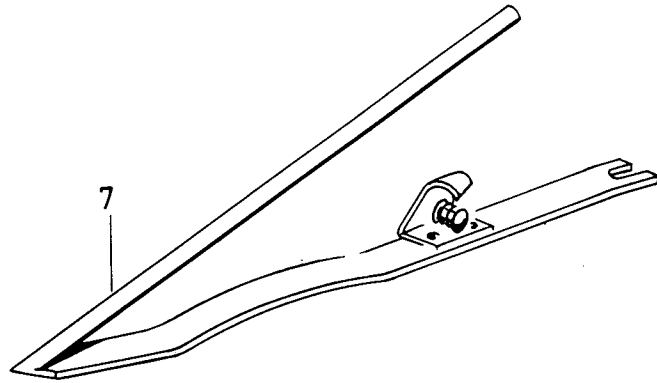


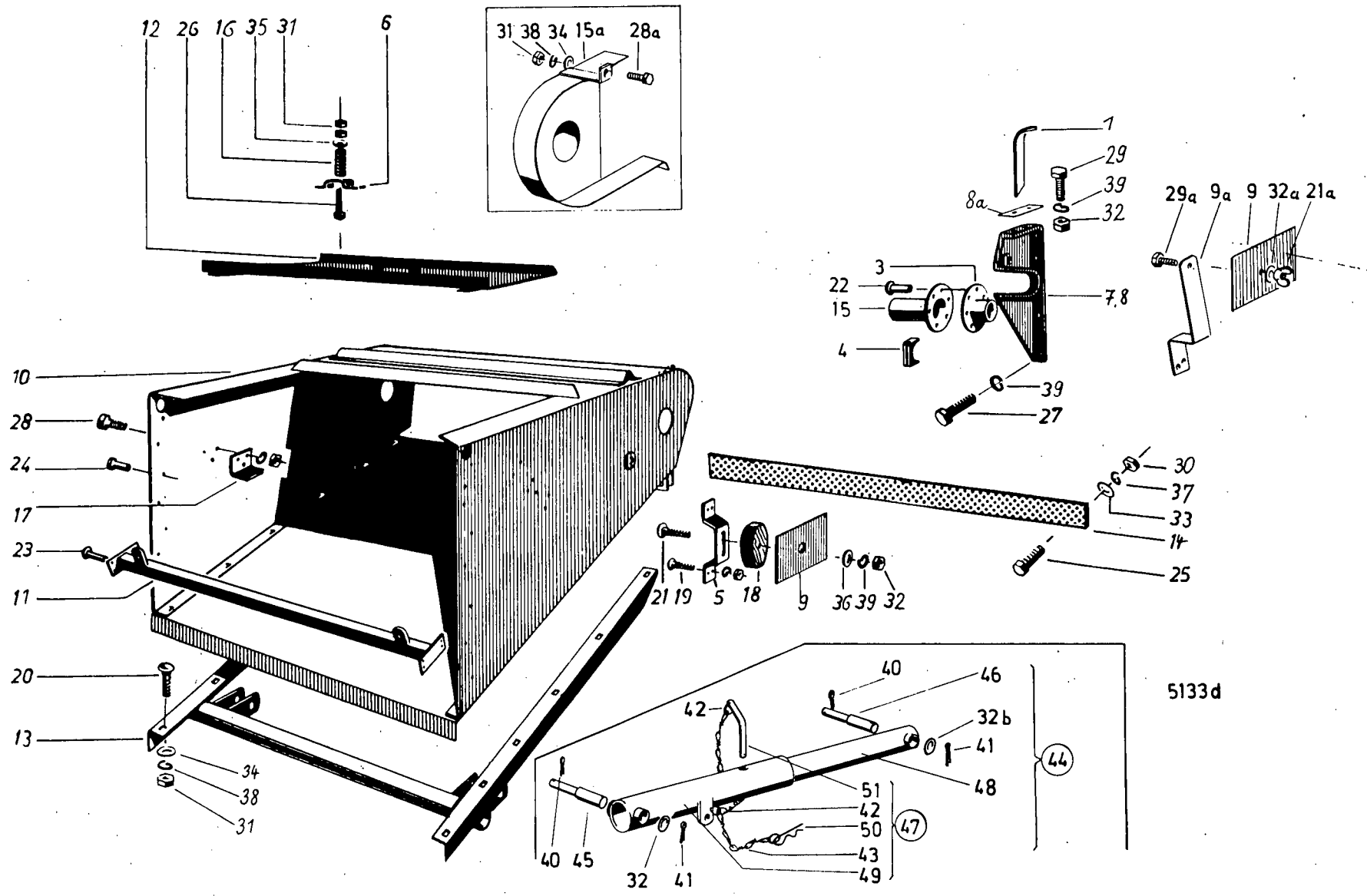
8525



9209







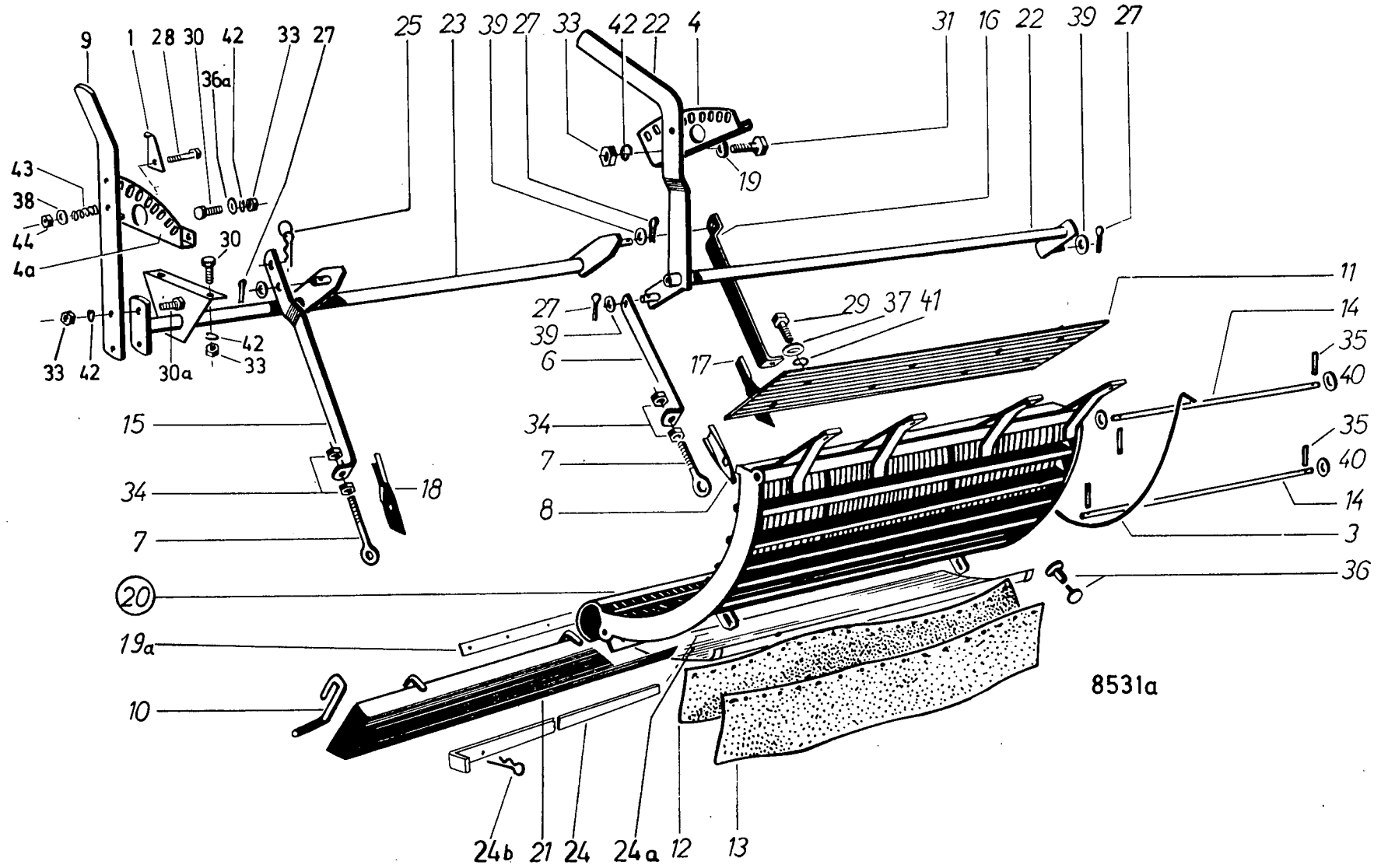
CLICK HERE TO **DOWNLOAD** THE COMPLETE MANUAL

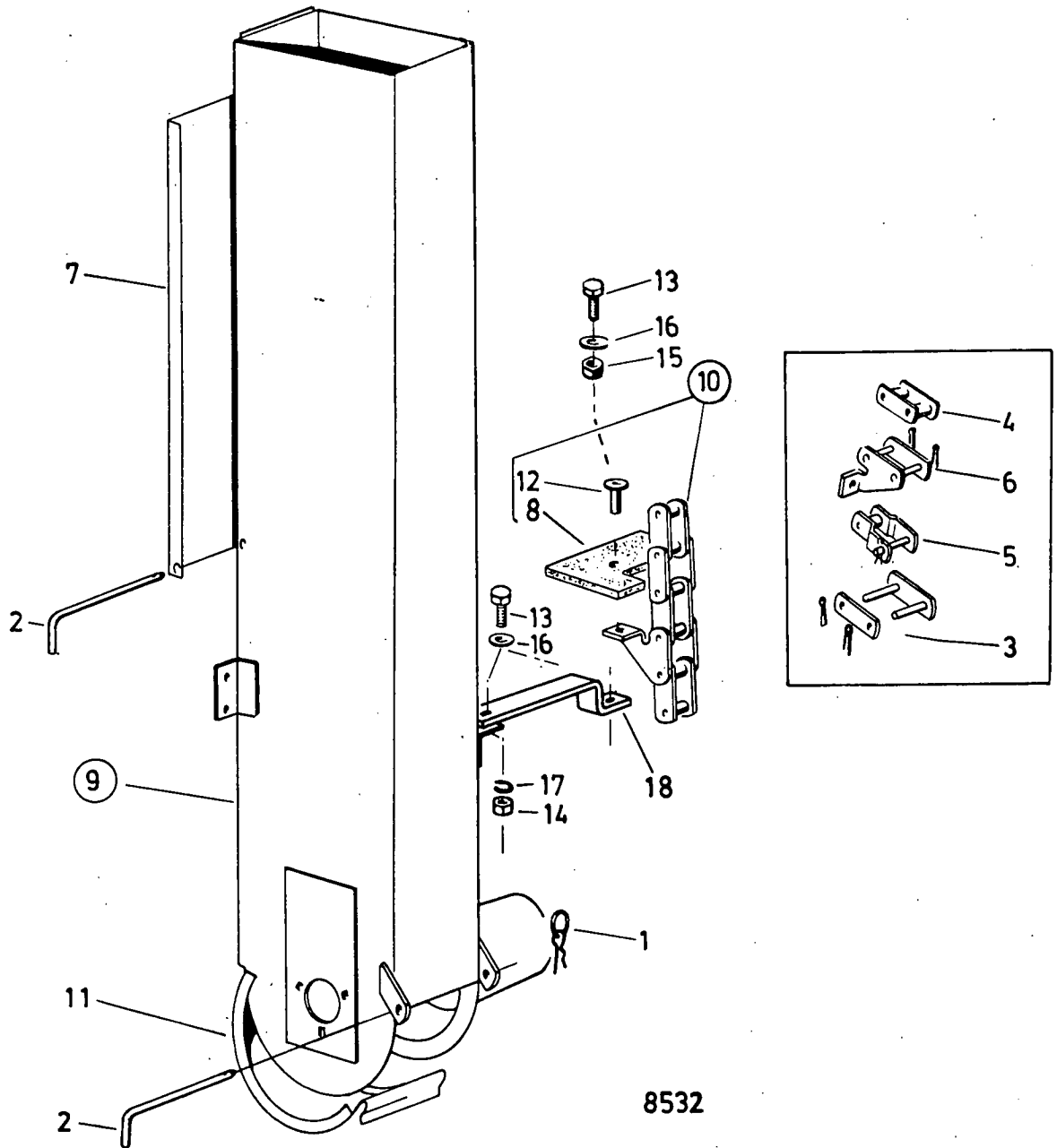
- Thank you very much for reading the preview of the manual.
- You can download the complete manual from: www.heydownloads.com by clicking the link below



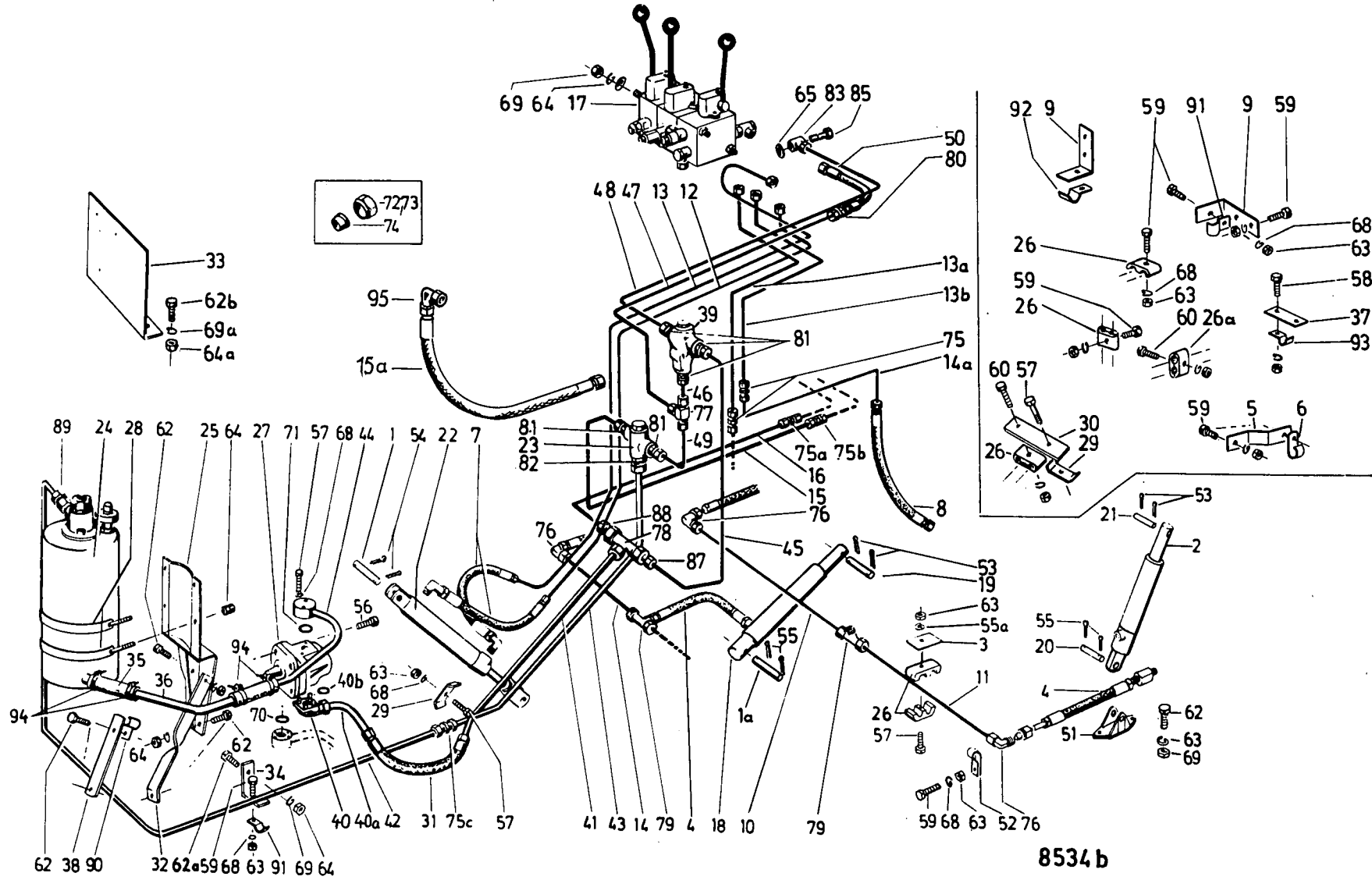
- Please note: If there is no response to CLICKING the link, please download this PDF first and then click on it.

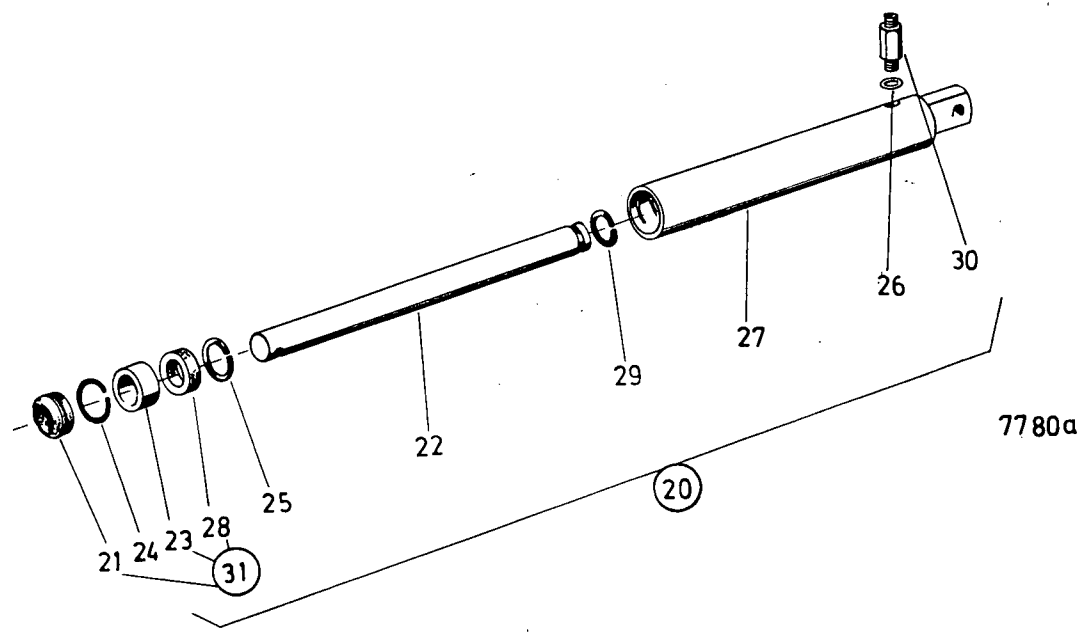
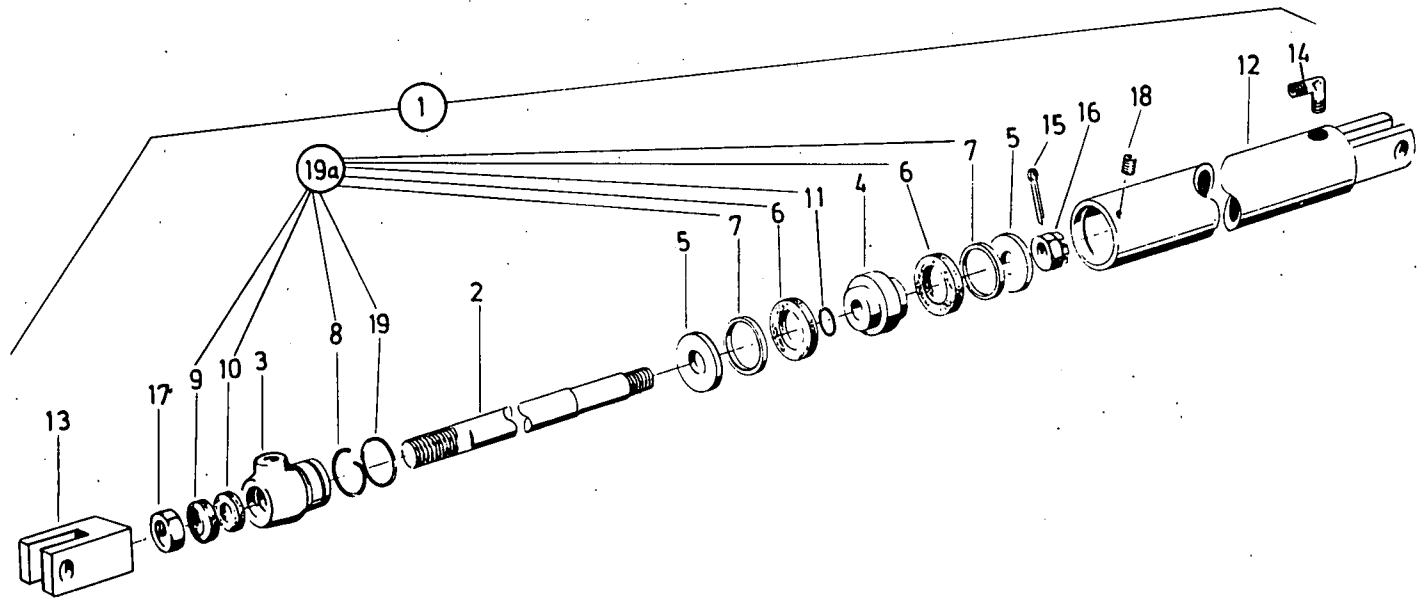
CLICK HERE TO **DOWNLOAD** THE COMPLETE MANUAL

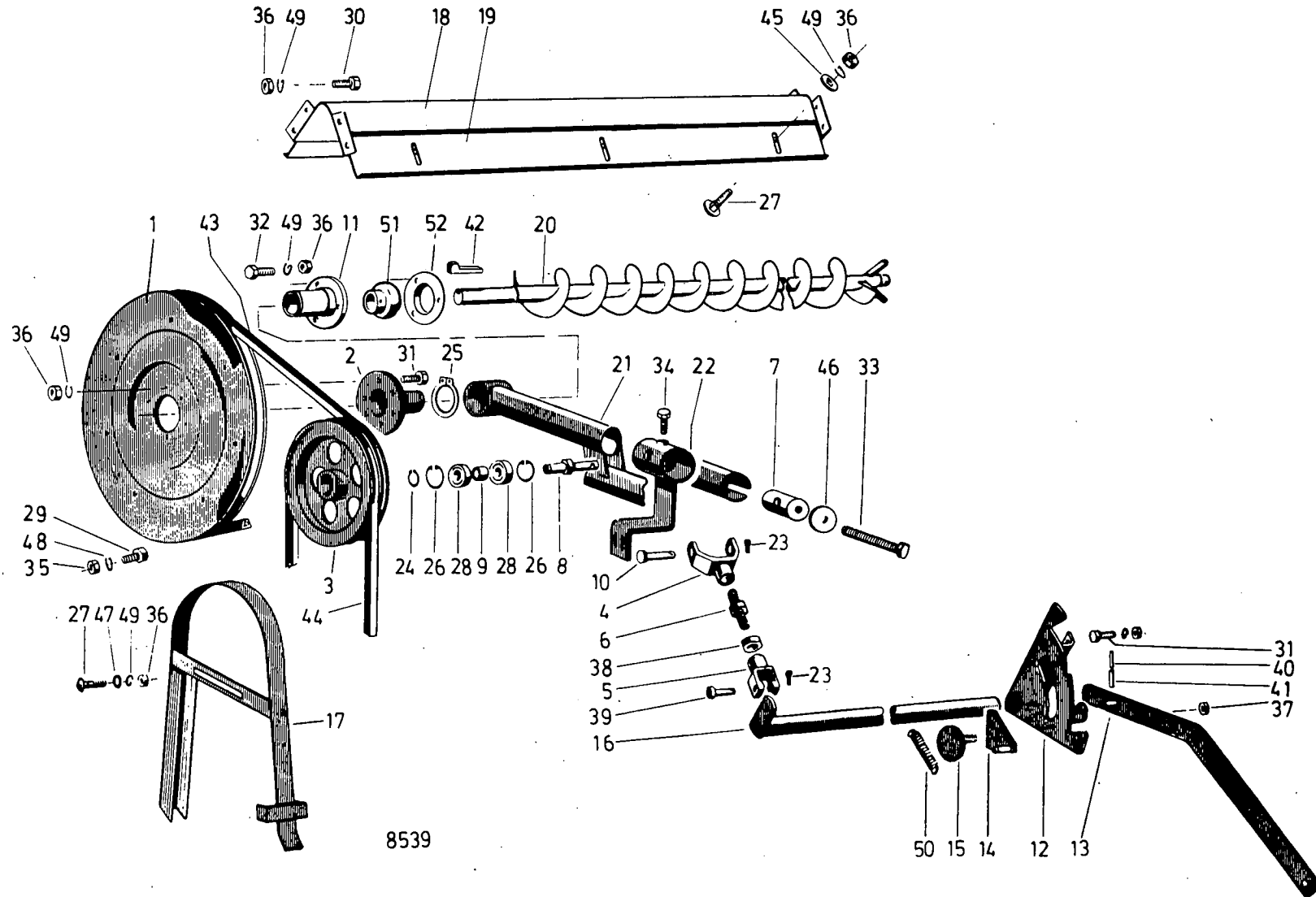




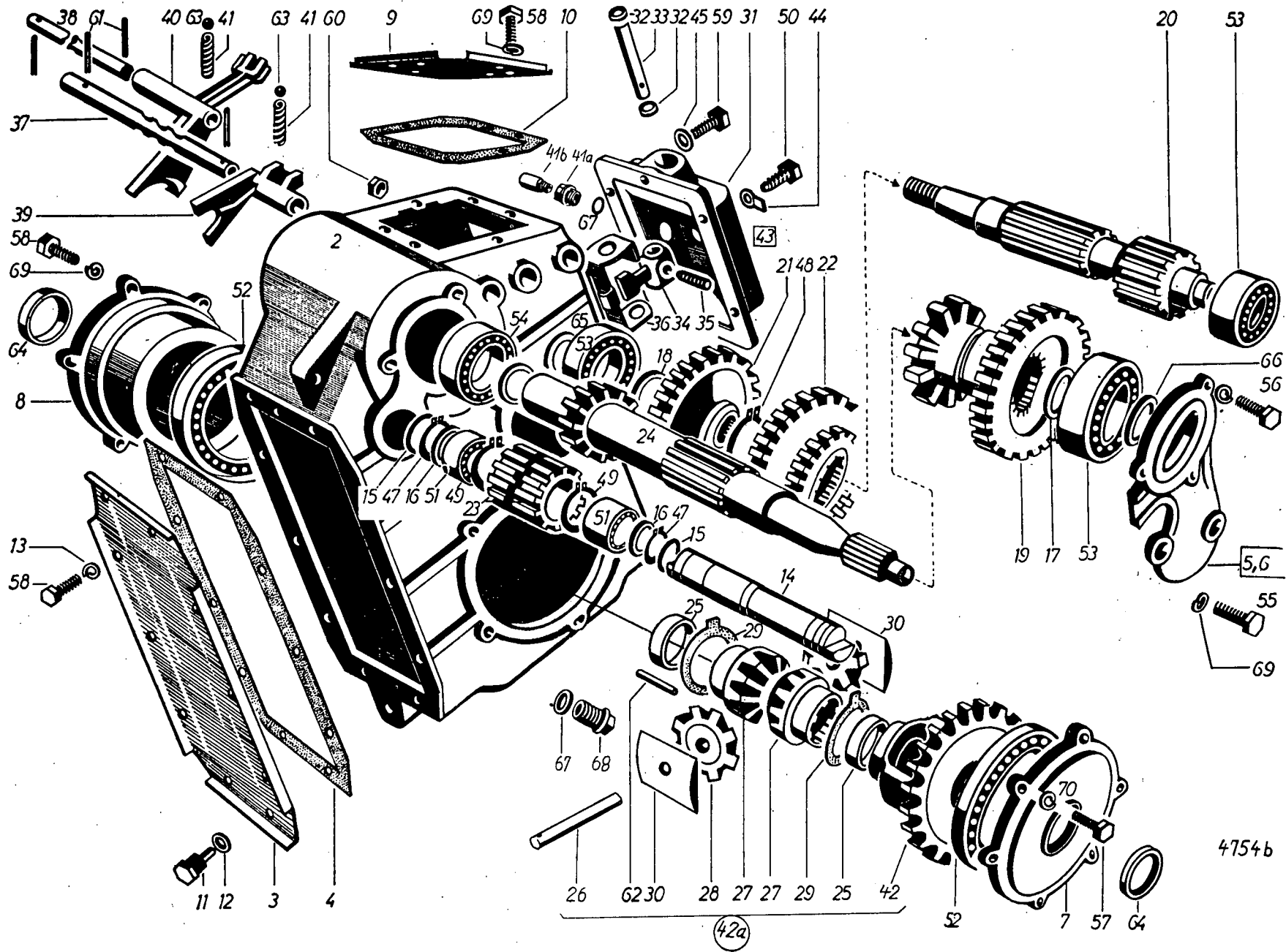
8532

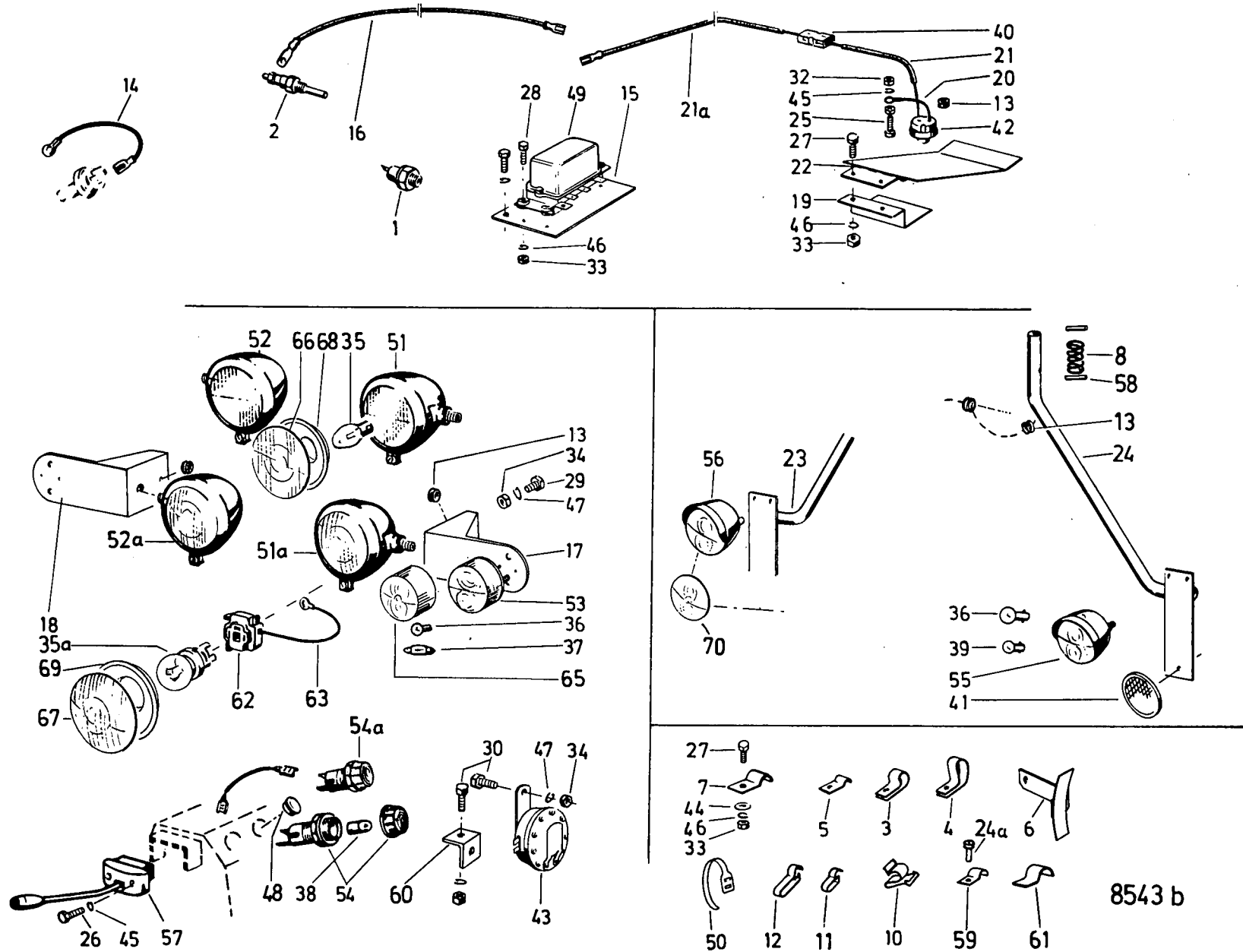




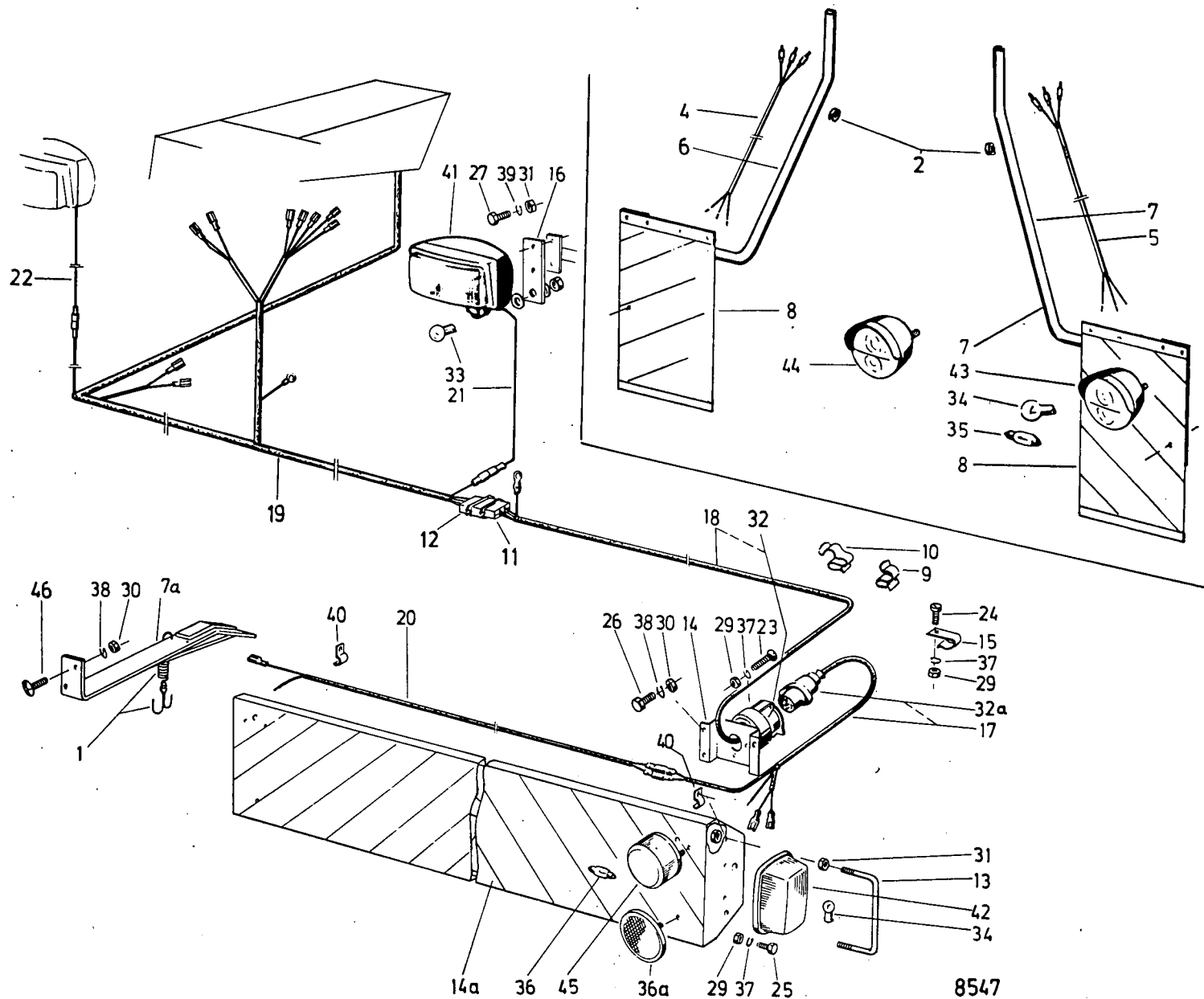


8539





8543 b



CLICK HERE TO **DOWNLOAD** THE COMPLETE MANUAL

- Thank you very much for reading the preview of the manual.
- You can download the complete manual from: www.heydownloads.com by clicking the link below



- Please note: If there is no response to CLICKING the link, please download this PDF first and then click on it.

CLICK HERE TO **DOWNLOAD** THE COMPLETE MANUAL