

M 2680

H1 - COMBINE HARVESTER

GENERAL

| | |
|------------------------------------------|-----------|
| INHALTSVERZEICHNIS..... | H1.00.159 |
| V-BELTS AND CHAINS..... | H1.00.160 |
| FRONT AXLE..... | H1.00.161 |
| SCHALTGETRIEBE GEHAEUSE / SCHALTUNG..... | H1.00.162 |
| SCHALTGETRIEBE WELLEN..... | H1.00.163 |
| SCHALTGETRIEBE DIFFERENTIAL..... | H1.00.164 |
| KUPPLUNGSGEHAEUSE..... | H1.00.165 |
| KUPPLUNG EINZELTEILE..... | H1.00.166 |
| LATERAL GEARS STANDARD EQUIPMENT..... | H1.00.167 |
| SEITENGETRIEBE VERSTAEKT W..... | H1.00.168 |
| LENKACHSE 1811 <-..... | H1.00.171 |
| LENKACHSE -> 1812..... | H1.00.172 |
| STEERING AXLE ADJUSTABLE W..... | H1.00.173 |
| ENGINE ASSEMBLY PARTS..... | H1.00.174 |
| ENGINE ASSEMBLY PARTS..... | H1.00.175 |
| KRAFTSTOFFTAANK..... | H1.00.176 |
| MOTORKUEHLUNG..... | H1.00.177 |
| LUFTFILTER ABGASANLAGE..... | H1.00.179 |
| OELABLASSVORRICHTUNG..... | H1.00.180 |
| SPEED ADJUSTMENT..... | H1.00.181 |
| DRUCKLUFTANLAGE W..... | H1.00.182 |
| PNEUMATIC SYSTEM W..... | H1.00.183 |
| MAIN DRIVE..... | H1.00.184 |
| MAIN DRIVE..... | H1.00.186 |
| VARIATOR..... | H1.00.189 |
| CHASSIS..... | H1.00.190 |
| CHASSIS..... | H1.00.191 |
| CHASSIS..... | H1.00.192 |
| DRIVING SEAT..... | H1.00.193 |
| DRIVING SEAT..... | H1.00.194 |
| MAEHWERK - HOEHENANZEIGE..... | H1.00.195 |
| LENKSAEULE..... | H1.00.196 |
| GEREIEBESCHALTUNG..... | H1.00.197 |
| CONTROL UNIT OPERATION..... | H1.00.198 |
| CONTROL UNIT OPERAT. GRAIN TANK..... | H1.00.199 |
| HYDR. CLUTCH CONTROL ASSEMBLY..... | H1.00.200 |
| HYDRAULIC BRAKING SYSTEM..... | H1.00.201 |
| PARKING BRAKE..... | H1.00.202 |
| DRIVERS'S CAB FRAME..... | H1.00.204 |
| DRIVER'S CAB GLAZING..... | H1.00.205 |

CLICK HERE TO **DOWNLOAD** THE COMPLETE MANUAL

- Thank you very much for reading the preview of the manual.
- You can download the complete manual from: www.heydownloads.com by clicking the link below

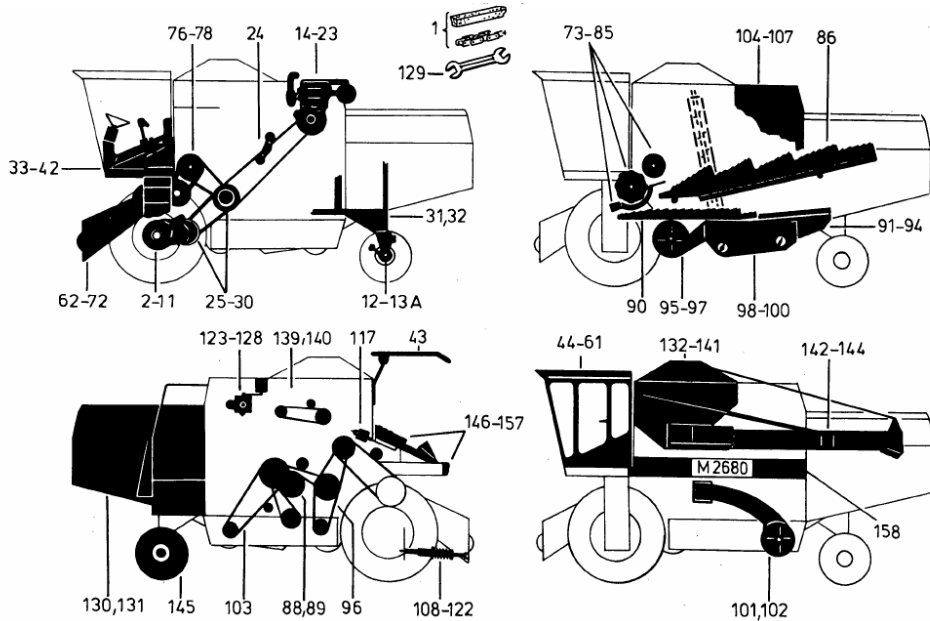


- Please note: If there is no response to CLICKING the link, please download this PDF first and then click on it.

CLICK HERE TO **DOWNLOAD** THE COMPLETE MANUAL

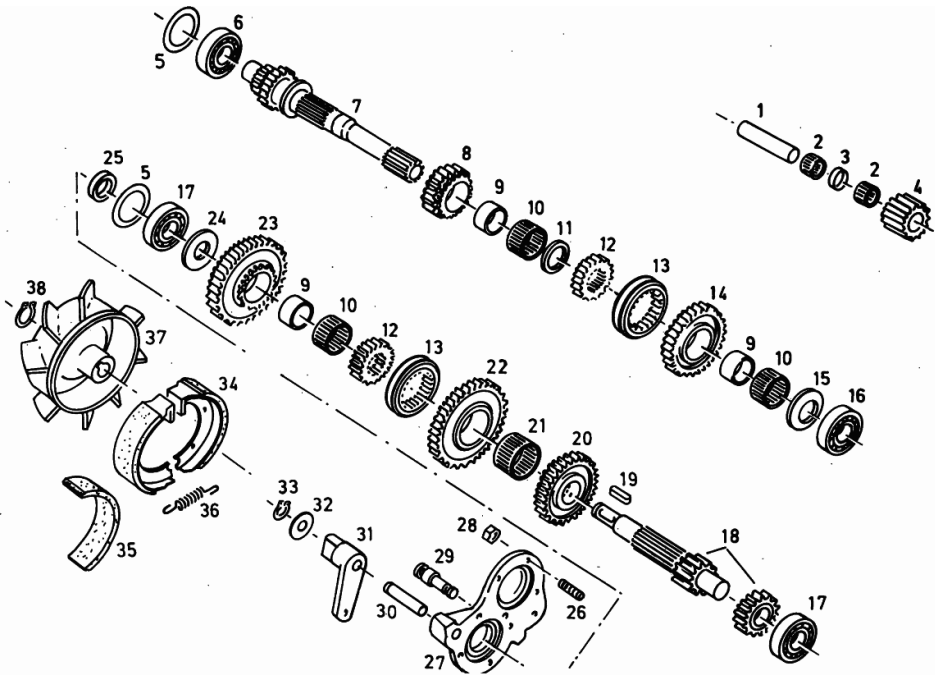
Section: H1 - COMBINE HARVESTER
INHALTSVERZEICHNIS

| Fig. | Code | QTY | Name |
|------|-----------|-----|-----------------------|
| 129 | 0000000.1 | 1 | - ☞ H1.00.290 |
| 130 | 0000000.1 | 1 | - ☞ H1.00.291 |
| 131 | 0000000.1 | 1 | - ☞ H1.00.292 |
| 132 | 0000000.1 | 1 | - ☞ H1.00.293 |
| 132 | 0000000.1 | 1 | - ☞ H1.00.294 |
| 132 | 0000000.1 | 1 | - ☞ H1.00.295 |
| 132 | 0000000.1 | 1 | - ☞ H1.00.296 |
| 132 | 0000000.1 | 1 | - ☞ H1.00.297 |
| 132 | 0000000.1 | 1 | - ☞ H1.00.298 |
| 132 | 0000000.1 | 1 | - ☞ H1.00.299 |
| 139 | 0000000.1 | 1 | - ☞ H1.00.300 |
| 140 | 0000000.1 | 1 | - ☞ H1.00.301 |
| 141 | 0000000.1 | 1 | - ☞ H1.00.302 |
| 142 | 0000000.1 | 1 | - ☞ H1.00.303 |
| 142 | 0000000.1 | 1 | - ☞ H1.00.304 |
| 144 | 0000000.1 | 1 | - ☞ H1.00.305 |
| 145 | 0000000.1 | 1 | - ☞ H1.00.306 |
| 145 | 0000000.1 | 1 | - ☞ H1.00.317 |
| 145 | 0000000.1 | 1 | - A ☞ H1.00.317 |
| 146 | 0000000.1 | 1 | - ☞ H1.00.307 |
| 146 | 0000000.1 | 1 | - ☞ H1.00.308 |
| 146 | 0000000.1 | 1 | - |



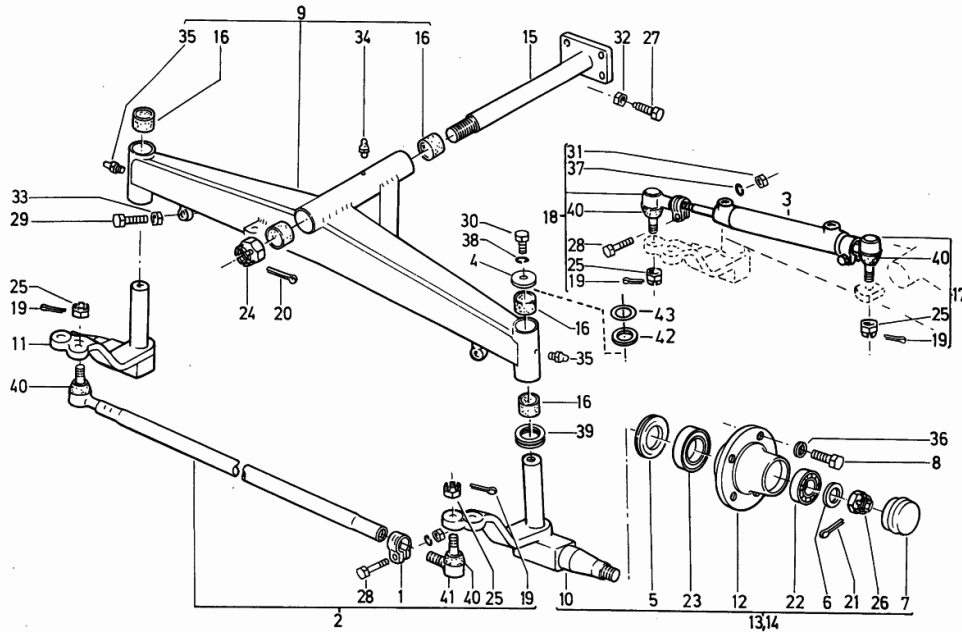
Section: H1 - COMBINE HARVESTER
SCHALTGETRIEBE WELLEN

| Fig. | Code | QTY | Name |
|------|---------------|-----|--------------------------|
| 32 | 1212301913500 | 1 | - |
| 33 | 01107721 | 1 | circlip |
| 34 | 06260298 | 2 | brake shoe HAND BRAKE |
| 35 | 06260299 | 0 | brake lining |
| 36 | 06260257 | 2 | spring |
| 37 | 06500159 | 1 | brake drum |
| 38 | 01133010 | 1 | circlip |



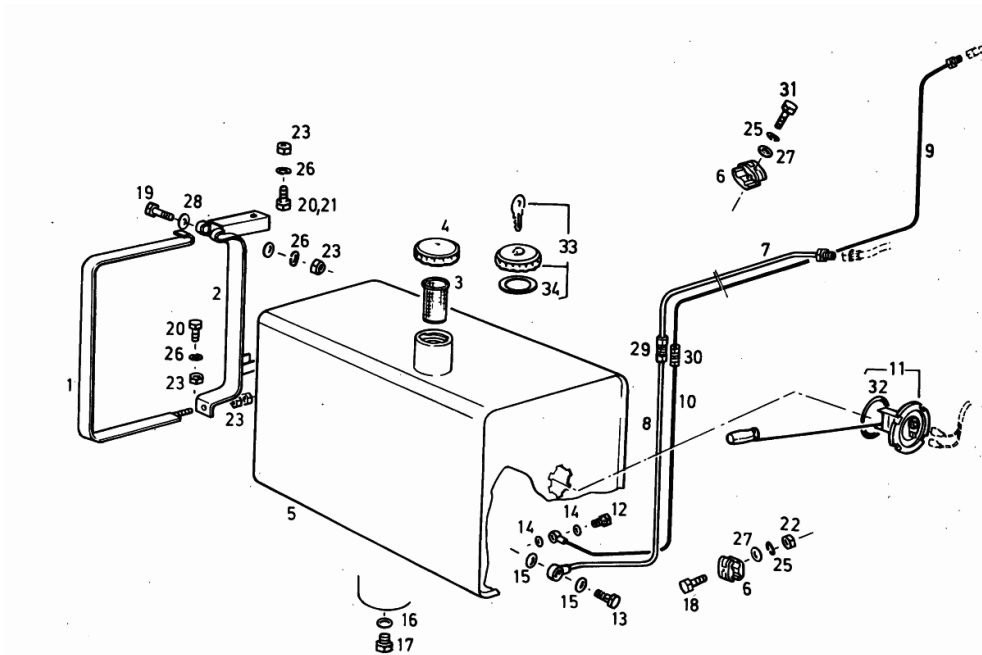
LENKACHSE 1811 <-

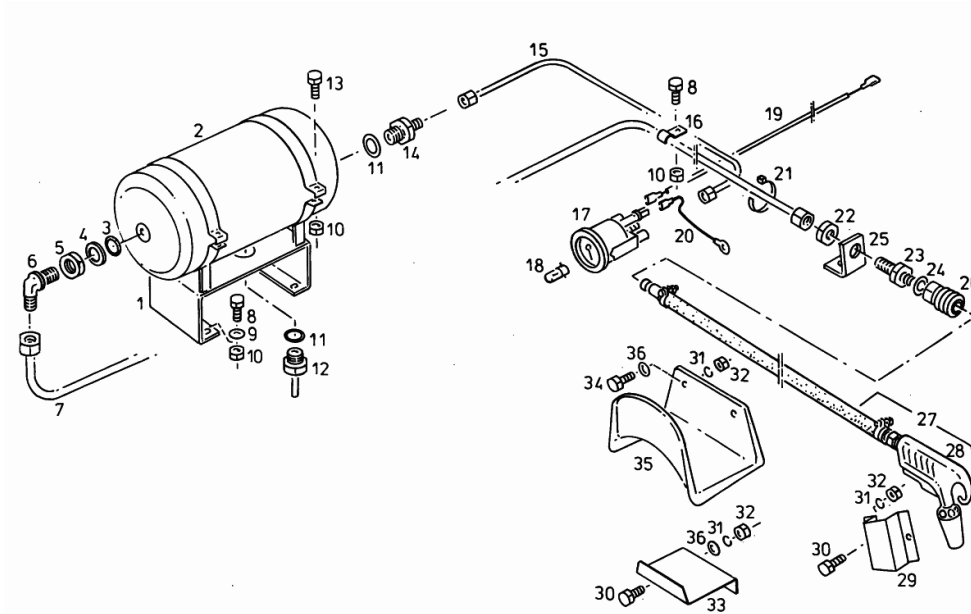
| Fig. | Code | QTY | Name |
|------|---------------|-----|----------------------------|
| 40 | 02311219 | 2 | 1061 <- tube -> 1062 |
| 41 | 06258161 | 1 | ball joint |
| 42 | 1111401015700 | 2 | - -> 1062 |
| 43 | 06214492 | 0 | shim 40x50x0,5 -> 1062 |
| 43 | 06214493 | 0 | shim 40x50x1,0 -> 1062 |
| 43 | 06214490 | 0 | shim 40x50x0,1 -> 1062 |



Section: H1 - COMBINE HARVESTER
KRAFTSTOFFTAANK

| Fig. | Code | QTY | Name |
|------|----------|-----|---------------------------------|
| 37 | 01118688 | 1 | V (GB ring 14x17 |
| 38 | 01139202 | 1 | V (GB pipe union m 14 x 1,5 |

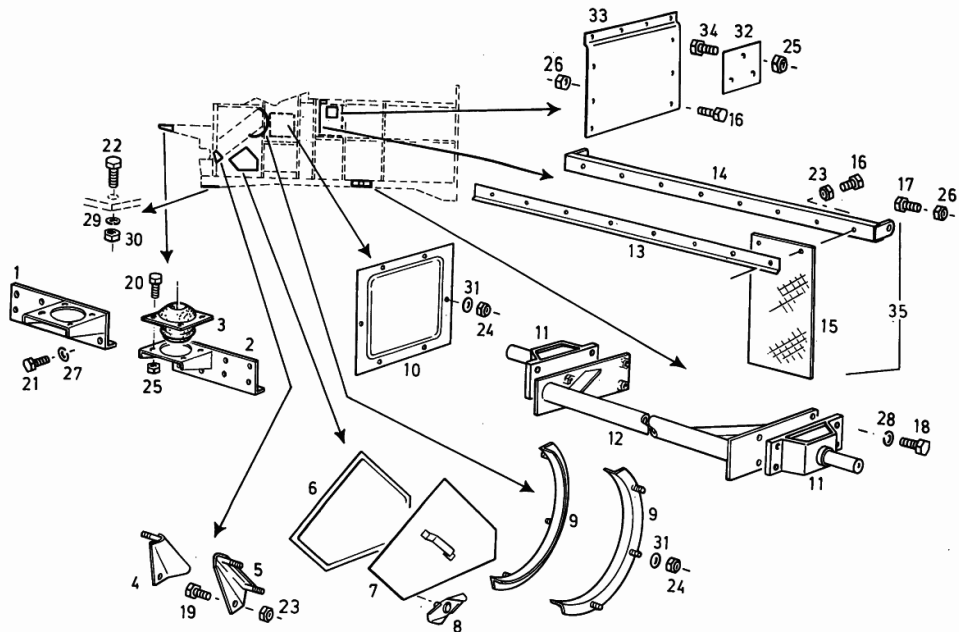


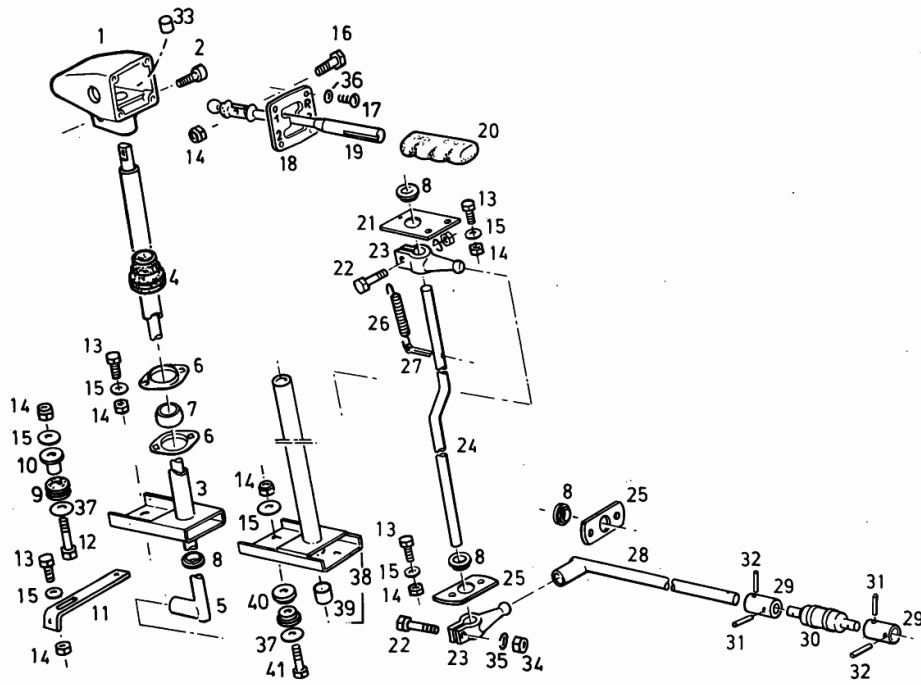
Section: H1 - COMBINE HARVESTER
PNEUMATIC SYSTEM W

| Fig. | Code | QTY | Name |
|------|---------------|-----|-----------------------|
| 1 | 1212402093500 | 1 | - |
| 2 | 04303894 | 1 | container |
| 3 | 01164379 | 1 | ring 20x2,5 |
| 4 | 02523701 | 1 | ring |
| 5 | 01123543 | 1 | nut m 22 x 1,5 |
| 6 | 01137231 | 1 | tongue |
| 7 | 1212402093800 | 1 | - |
| 8 | 01112322 | 7 | screw m 8 p.1.25 x 20 |
| 9 | 06214192 | 4 | washer 8.4 |
| 10 | 01104944 | 9 | nut m 8, d985 |
| 11 | 01118737 | 2 | 'o' ring 22 x 27 |
| 12 | 01260634 | 1 | valve |
| 13 | 01111134 | 2 | screw |
| 14 | 01137316 | 1 | socket |
| 15 | 1212402093700 | 1 | - |
| 16 | 01115945 | 1 | hose clip |
| 17 | 04305747 | 1 | manometer |
| 18 | 01121432 | 1 | lamp j/2w d72601 |
| 19 | 1212432554000 | 1 | - |
| 20 | 1212432555000 | 1 | - |
| 21 | 06216482 | 0 | clamp 3.4 x 208 |
| 22 | 01138932 | 1 | nut m 18 p.1.5 |
| 23 | 01137317 | 1 | socket |
| 24 | 06212756 | 1 | 'o' ring |
| 25 | 1212402020100 | 1 | - |
| 26 | 06262580 | 1 | plug nw 7,2 |
| 27 | 1212402072000 | 1 | - |
| 28 | 06262578 | 1 | none |
| 29 | 1212402019500 | 1 | - |
| 30 | 01112240 | 4 | screw m 6 x 12 |
| 31 | 01102797 | 6 | washer 6, d128 |
| 32 | 01112813 | 6 | nut m 6 |
| 33 | 1212402019400 | 1 | - |
| 34 | 01112264 | 2 | screw m 6 x 20, d933 |
| 35 | 06262561 | 1 | support |
| 36 | 06214189 | 6 | washer 6.4 |

Section: H1 - COMBINE HARVESTER
CHASSIS

| Fig. | Code | QTY | Name |
|------|---------------|-----|-------------------|
| | | | -> 0102 - 1061 <- |
| 35 | 1212304082000 | 1 | - |

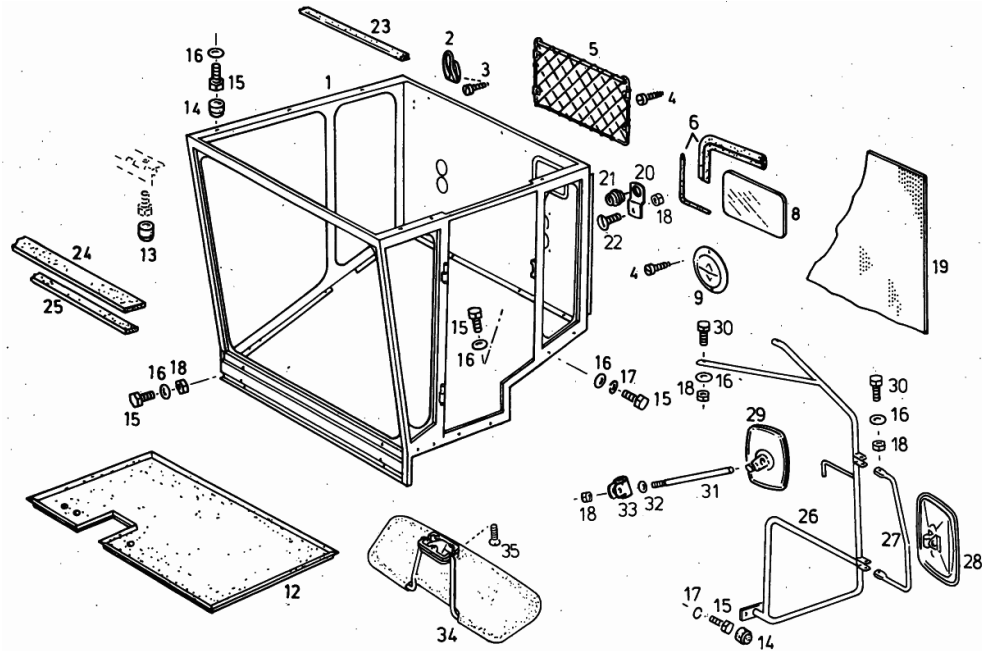


Section: H1 - COMBINE HARVESTER
GERIEBESCHALTUNG

| Fig. | Code | QTY | Name |
|------|---------------|-----|-----------------------------------|
| 1 | 1212305001000 | 1 | - |
| 2 | 01110663 | 1 | screw |
| 3 | 1212305194300 | 1 | - |
| 4 | 06261119 | 1 | bellows |
| 5 | 1212305194400 | 1 | - |
| 6 | 06215800 | 2 | box eb 20 |
| 7 | 06261012 | 1 | ball |
| 8 | 06564092 | 4 | sleeve |
| 9 | 1212305144400 | 1 | - |
| 10 | 1212305144600 | 1 | - |
| 11 | 1212305142300 | 1 | - |
| 12 | 01111153 | 1 | screw m 8 x 45 2691 <- |
| 13 | 01112333 | 8 | screw m 8 x 25, d933 |
| 14 | 01104944 | 10 | nut m 8, d985 |
| 15 | 06214192 | 8 | washer 8.4 |
| 16 | 01111153 | 1 | screw m 8 x 45 |
| 17 | 06209763 | 4 | screw |
| 18 | 06260986 | 1 | throttle slide M 2480 / M 2780 |
| 18 | 06531255 | 1 | throttle slide M 2780 H |
| 19 | 06512553 | 1 | gear lever |
| 20 | 06260676 | 1 | rubber |
| 21 | 1212305131800 | 1 | - |
| 22 | 01111288 | 2 | screw |
| 23 | 1210605000200 | 2 | - |
| 24 | 1212305110200 | 1 | - |
| 25 | 1212305111400 | 2 | - |
| 26 | 06215523 | 1 | spring |
| 27 | 01140002 | 1 | split pin 5 x 45 d94 |
| 28 | 1212305194200 | 1 | - |
| 29 | 1111630010100 | 2 | - |
| 30 | 06241292 | 1 | rod |
| 31 | 01157324 | 2 | support |
| 32 | 01115441 | 2 | pin |
| 33 | 06215702 | 1 | sleeve 20x23x15 |
| 34 | 01102659 | 2 | nut m 10, d934 |
| 35 | 01102800 | 2 | washer 10.2 |
| 36 | 01117902 | 4 | lock washer |
| 37 | 06214197 | 1 | washer 10.5 |

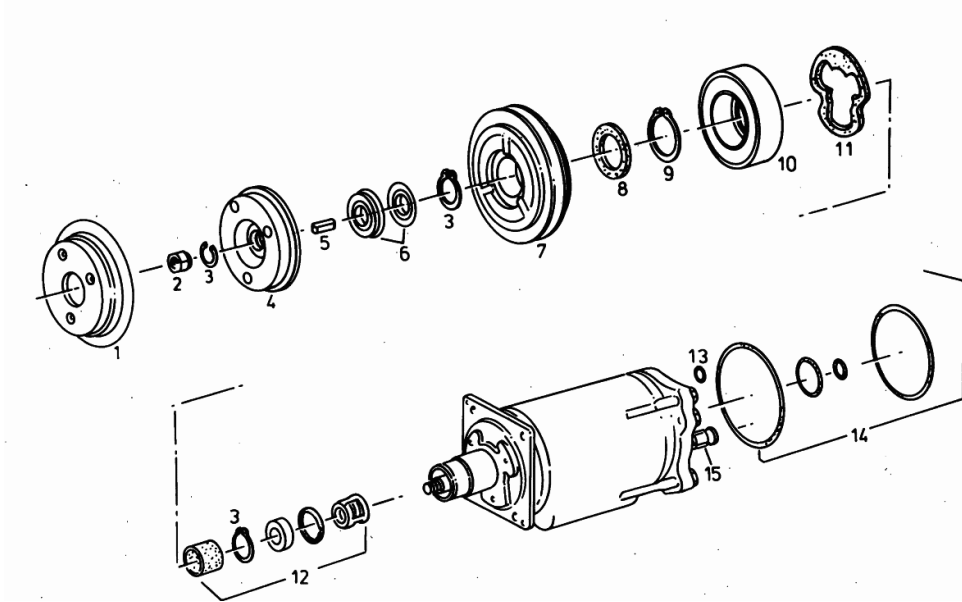
Section: H1 - COMBINE HARVESTER
DRIVERS'S CAB FRAME

| Fig. | Code | QTY | Name |
|------|----------|-----|---------------------------------|
| 34 | 06257795 | 1 | -> 2842 canopy |
| 35 | 06209762 | 3 | screw m 5 p.0.8 x 25 -> 2842 |

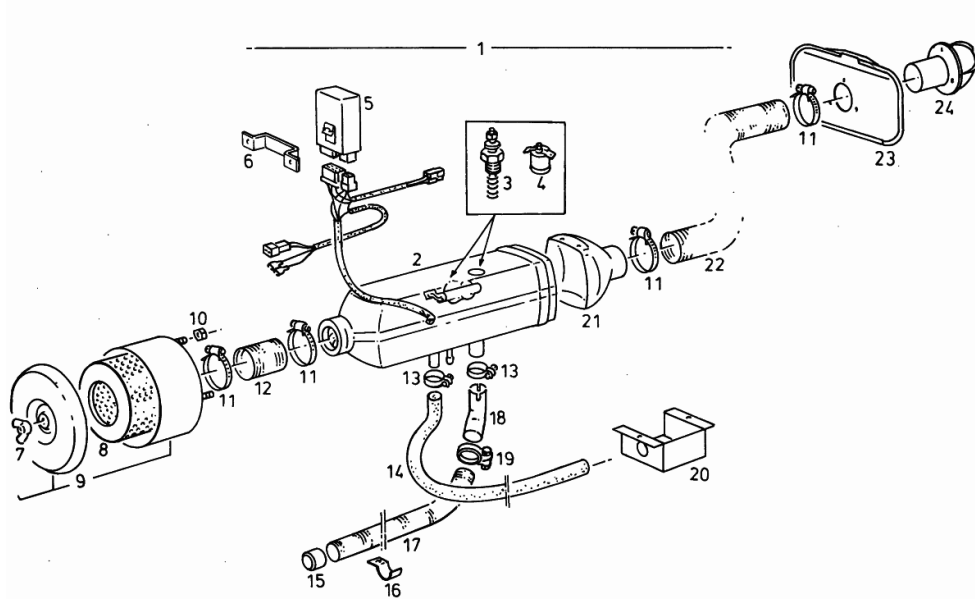


KOMPRESSOR EINYTEILE 2691 <- / W

| Fig. | Code | QTY | Name |
|------|---------------|-----|--------------------|
| 1 | 06262479 | 1 | tube |
| 2 | 06262463 | 1 | nut |
| 3 | 06262476 | 1 | ring |
| 4 | 06262474 | 1 | none |
| 5 | 06262464 | 1 | heelpiece |
| 6 | 06262478 | 1 | gasket set |
| 7 | 06262472 | 1 | pulley |
| 8 | 06212000 | 1 | ring 45 x 57 x 5.0 |
| 9 | 1212336910300 | 1 | - |
| 10 | 1212336990200 | 1 | - |
| 11 | 06262469 | 1 | gasket |
| 12 | 06276705 | 1 | gasket set |
| 13 | 1212336910000 | 2 | - |
| 14 | 1212336990600 | 1 | - |
| 15 | 06515220 | 1 | valve |



Section: H1 - COMBINE HARVESTER
CAB HEATER W



| Fig. | Code | QTY | Name |
|------|---------------|-----|--------------------------------|
| 1 | 0.000.0000.1 | 1 | not serviceable 50 - 971447 |
| 2 | 06532691 | 1 | none G 2,5 |
| 3 | 04331562 | 0 | glow plug |
| 4 | 04331561 | 0 | thermostat |
| 5 | 04325827 | 1 | distributor |
| 6 | 04340660 | 1 | console |
| 7 | 01107356 | 1 | wing nut |
| 8 | 06257703 | 1 | filter |
| 9 | 1212336950000 | 1 | - |
| 10 | 01112813 | 3 | nut m 6 |
| 11 | 01173941 | 4 | stop b50-70/13 h3461 |
| 12 | 1212336910400 | 1 | - |
| 13 | 01128269 | 2 | hose clip |
| 14 | 06258915 | 1 | flexible hose |
| 15 | 04332612 | 1 | tube |
| 16 | 01169864 | 1 | hose clip |
| 17 | 06258914 | 1 | exhaust |
| 18 | 04328520 | 1 | angular |
| 19 | 04328521 | 1 | hose clip |
| 20 | 1212336038400 | 1 | - |
| 21 | 04321085 | 1 | nozzle |
| 22 | 1212336910500 | 1 | - |
| 23 | 1212336027000 | 1 | - |
| 24 | 1212336910600 | 1 | - |

CLICK HERE TO **DOWNLOAD** THE COMPLETE MANUAL

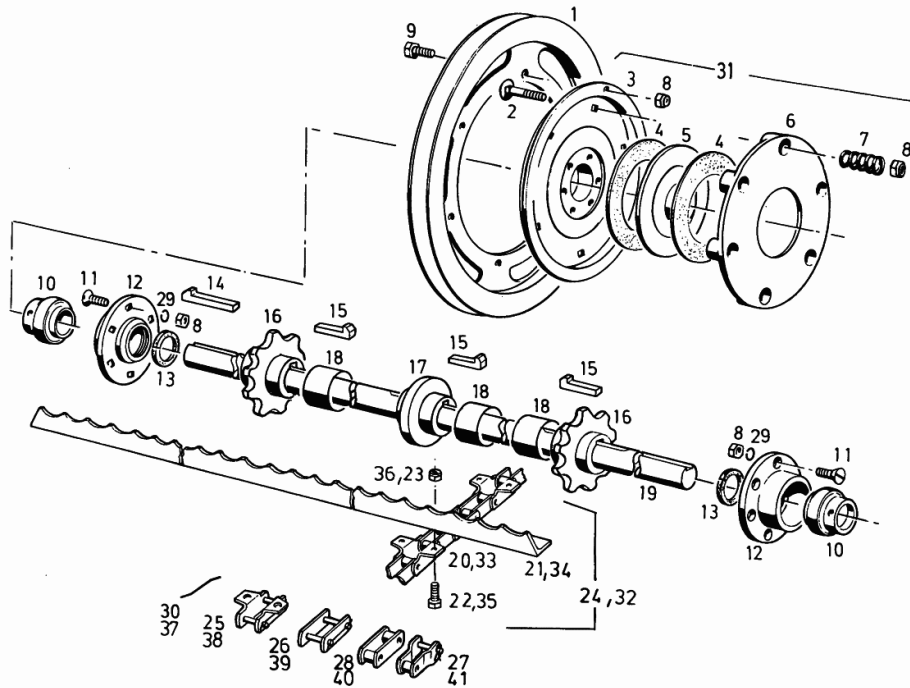
- Thank you very much for reading the preview of the manual.
- You can download the complete manual from: www.heydownloads.com by clicking the link below



- Please note: If there is no response to CLICKING the link, please download this PDF first and then click on it.

CLICK HERE TO **DOWNLOAD** THE COMPLETE MANUAL

Section: H1 - COMBINE HARVESTER
FOERDERKANAL KETTE / KUPPLUNG



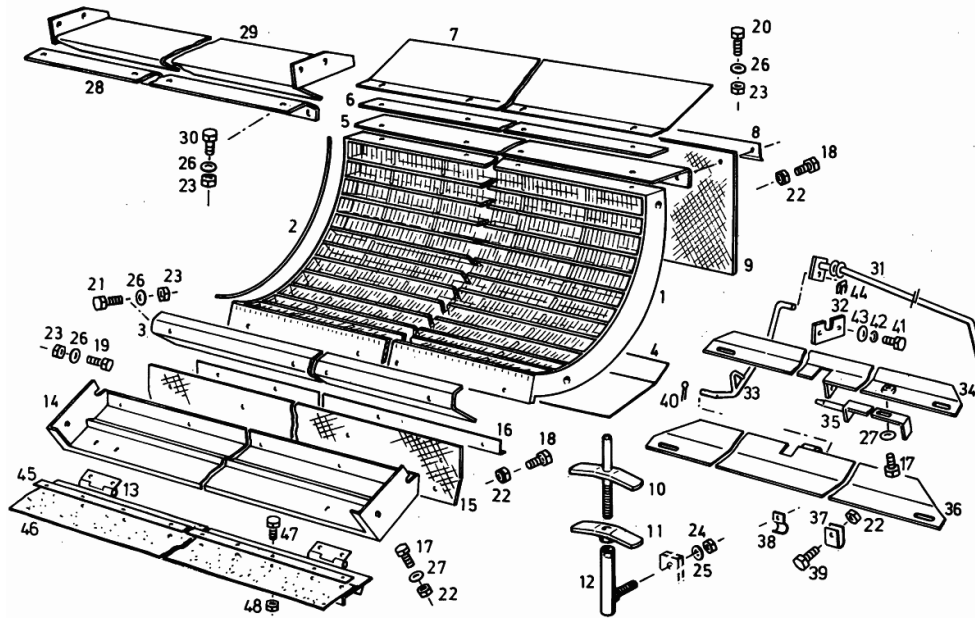
| Fig. | Code | QTY | Name |
|------|---------------|-----|----------------------------------|
| 22 | 01112322 | 114 | screw m 8 p.1.25 x 20 1811 <- |
| 23 | 01104944 | 114 | nut m 8, d985 1811 <- |
| 24 | 06500861 | 1 | chain 1811 <- |
| 25 | 06281493 | 0 | chain link 1811 <- |
| 26 | 06281491 | 0 | chain link 38,4 1g 1811 <- |
| 27 | 06213130 | 0 | chain link 38.4x19 1811 <- |
| 28 | 06281492 | 0 | chain link 38,4 b 1811 <- |
| 29 | 01102800 | 24 | washer 10.2 |
| 30 | 06241075 | 0 | wire 1811 <- |
| 31 | 1212309081000 | 1 | - |
| 32 | 06500861 | 1 | chain -> 1812 |
| 33 | 06504423 | 3 | chain -> 1812 - 1911 <- |
| 33 | 06504423 | 3 | chain -> 1912 |
| 34 | 06500863 | 13 | frame -> 1812 |
| 35 | 01112418 | 78 | screw m 10 x 25, d933 -> 1812 |
| 36 | 06209768 | 78 | nut m 10, d985 -> 1812 |
| 37 | 06277424 | 0 | ring -> 1812 |
| 38 | 06277423 | 0 | chain link -> 1812 |
| 39 | 06277420 | 0 | chain link -> 1812 |
| 40 | 06277422 | 0 | chain link -> 1812 |
| 41 | 06277421 | 0 | chain link -> 1812 |

Section: H1 - COMBINE HARVESTER
CONCAVE

| Fig. | Code | QTY | Name |
|------|------|-----|------|
|------|------|-----|------|

Notes:

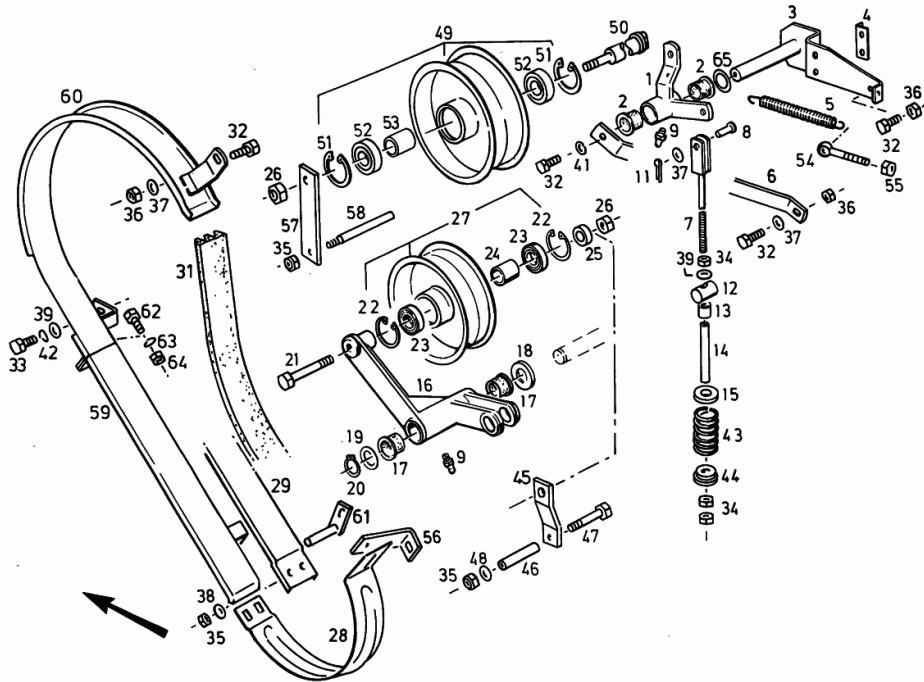
POS.NR. 12.1/13.1/14.1 AUF WUNSCH SCHWEDEN



| | | | |
|----|---------------|----|---------------------------|
| 1 | 1212311051000 | 1 | - |
| 1 | 1212311051010 | 1 | 0100 <- |
| 1 | 06503047 | 1 | - |
| 2 | 1212311017800 | 83 | NORMALAUSFUEHRUNG -> 0102 |
| 3 | 1212311092900 | 1 | - |
| 3 | 1212311092910 | 1 | 0100 <- |
| 4 | 1212311090500 | 1 | -> 0102 |
| 5 | 1212311010800 | 1 | - |
| 6 | 1212311018000 | 1 | 0100 <- |
| 7 | 1212311028000 | 1 | 0100 <- |
| 8 | 1212311010500 | 1 | - |
| 9 | 1212311010400 | 1 | 0100 <- |
| 10 | 1212311094610 | 2 | - |
| 11 | 1211111090510 | 2 | - |
| 12 | 1211111090610 | 2 | - |
| 12 | 06500259 | 2 | 2691 <- |
| 12 | 06500259 | 2 | tube |
| 13 | 1212311090700 | 1 | 2691 <- / V (S |
| 13 | 06500254 | 1 | tube |
| 13 | 06500254 | 1 | -> 2692 |
| 14 | 1212311090800 | 1 | - |
| 14 | 06500261 | 1 | 2691 <- |
| 14 | 06500261 | 1 | shutter |
| 14 | 06500261 | 1 | 2691 <- / V (S |
| 14 | 06500261 | 1 | shutter |
| 14 | 06500261 | 1 | -> 2692 |
| 14 | 06500261 | 1 | - |
| 14 | 06500261 | 1 | 2691 <- |
| 14 | 06500261 | 1 | stone trough |
| 14 | 06500261 | 1 | -> 2692 |
| 14 | 06500261 | 1 | stone trough |
| 14 | 06500261 | 1 | 2691 <- / V (S |

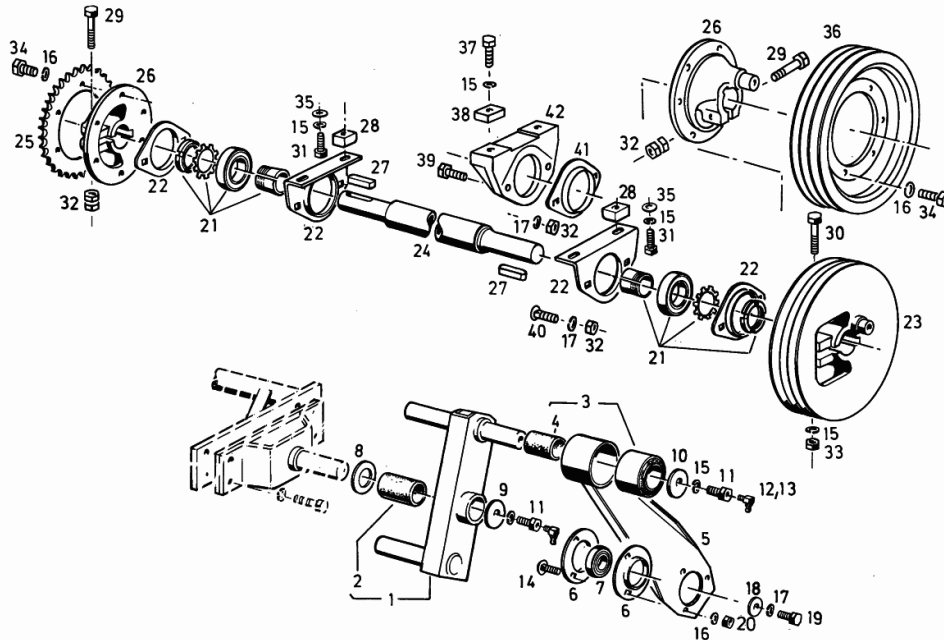
THRESHING MECHANISM ENGAGING PARTS

| Fig. | Code | QTY | Name |
|------|---------------|-----|-------------------------|
| 1 | 1212303392900 | 1 | - |
| 2 | 06260680 | 2 | sleeve 30 x 45 x 20 |
| 3 | 1212303393000 | 1 | - |
| | | | 0436 <- |
| 3 | 1212303393010 | 1 | - |
| | | | -> 0437 |
| 4 | 1212303393100 | 1 | - |
| 5 | 06215550 | 1 | spring 3.5 x 18.5 x 174 |
| 6 | 1212303323200 | 1 | - |
| | | | 0436 <- |
| 6 | 1212303327700 | 1 | - |
| | | | -> 0437 |
| 7 | 1212303392700 | 1 | - |
| 8 | 06210009 | 1 | smau pin 10 x 28 x 24 |
| 9 | 01120693 | 2 | lubricator am 8 x 1 |
| 11 | 01143003 | 1 | split pin 3,2x 36 d94 |
| 12 | 1212303321800 | 1 | - |
| 13 | 1212303323400 | 1 | - |
| 14 | 1212303323300 | 1 | - |
| 15 | 06515118 | 1 | disc |
| 16 | 1212403301000 | 1 | - |
| 17 | 06262701 | 2 | bushing |
| 18 | 1212403315000 | 1 | - |
| 19 | 06214234 | 3 | disc 31 x 45 x 2 |
| 20 | 01107742 | 1 | circlip 30x1.5 |
| 21 | 01111939 | 1 | screw |
| 22 | 01107834 | 2 | circlip 47 x 1.75 |
| | | | -> 1912 |
| 22 | 01107827 | 2 | circlip 40 x 1.75 |
| | | | 1911 <- |
| 23 | 01128197 | 2 | bearing 2 RS |
| | | | 1911 <- |
| 23 | 01109115 | 2 | ball bearing 6303 2rs |
| | | | -> 1912 |
| 24 | 1210710011300 | 1 | - |
| | | | 1911 <- |
| 24 | 06502152 | 1 | bushing |
| | | | -> 1912 |
| 25 | 1210710010800 | 1 | - |
| 26 | 01127856 | 1 | nut m 16, d985 |
| 27 | 06500622 | 1 | bearing 64/220 |
| | | | M 2580 - M 2680 |
| 28 | 1212303393200 | 1 | - |
| | | | 0100 <- |

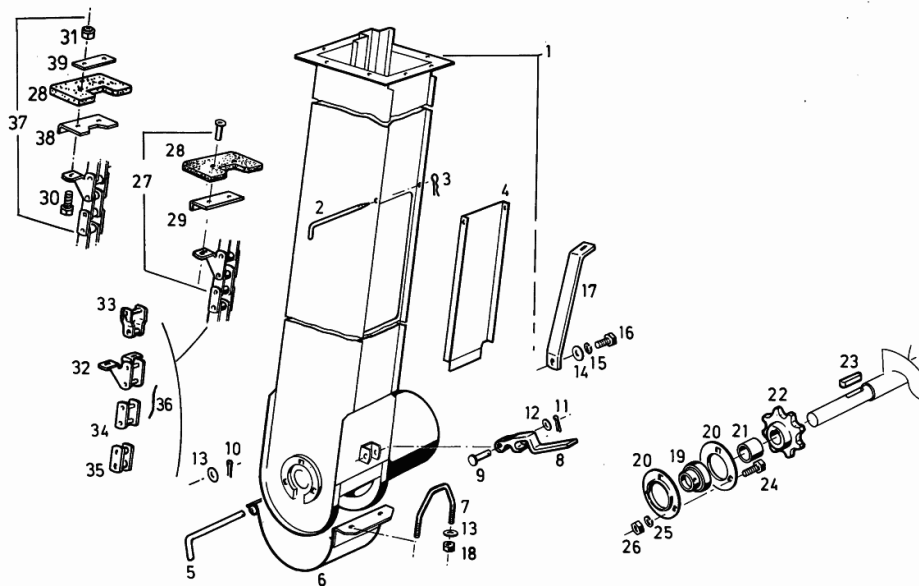


Section: H1 - COMBINE HARVESTER
SIEVE BOX DRIVING PARTS

| Fig. | Code | QTY | Name |
|------|---------------|-----|-----------------------|
| 1 | 1212314052000 | 2 | - |
| 2 | 06265371 | 2 | bushing |
| 3 | 1210105070000 | 2 | - |
| 4 | 06252859 | 2 | bushing |
| 5 | 1212314093200 | 2 | - |
| 6 | 06215782 | 4 | ring rb 25 |
| 7 | 06215764 | 2 | bearing |
| 8 | 06214378 | 2 | washer |
| 9 | 06214282 | 2 | washer 13x54x4 |
| 10 | 01133726 | 2 | washer 13 |
| 11 | 1210103010600 | 4 | - |
| 12 | 01120692 | 2 | lubricator am 6 |
| 13 | 06213864 | 2 | guard |
| 14 | 06207534 | 6 | screw m 8 p.1.25 x 20 |
| 15 | 01102801 | 9 | washer 12 |
| 16 | 01102799 | 18 | washer 8, d128 |
| 17 | 01102800 | 6 | washer 10.2 |
| 18 | 06214197 | 2 | washer 10.5 |
| 19 | 01112407 | 2 | screw m 10 x 20, d933 |
| 20 | 01112824 | 6 | nut m 8, d934 |
| 21 | 06215771 | 2 | bearing |
| 22 | 06215799 | 2 | box |
| 23 | 1212314000790 | 1 | - |
| 24 | 1212314093000 | 1 | 0100 <- |
| 24 | 1212314093010 | 1 | 0100 <- |
| 25 | 1210714015310 | 1 | -> 0102 |
| 25 | 06500811 | 1 | 1811 <- |
| 26 | 1212314000800 | 0 | gear Z = 37 |
| 27 | 06212458 | 2 | -> 1812 |
| 28 | 1212314019800 | 4 | - |
| 29 | 01111317 | 1 | 0100 <- |
| 30 | 01111497 | 1 | screw m 10x60 d931 |
| 31 | 01112529 | 4 | screw m 12 x 55 |
| 32 | 01102659 | 8 | 0100 <- |
| 33 | 01112858 | 1 | screw m 12 x 30, d933 |
| 34 | 01112322 | 12 | nut m 10, d934 |
| | | | nut m 12, d934 |
| | | | 0100 <- |
| | | | screw m 8 p.1.25 x 20 |



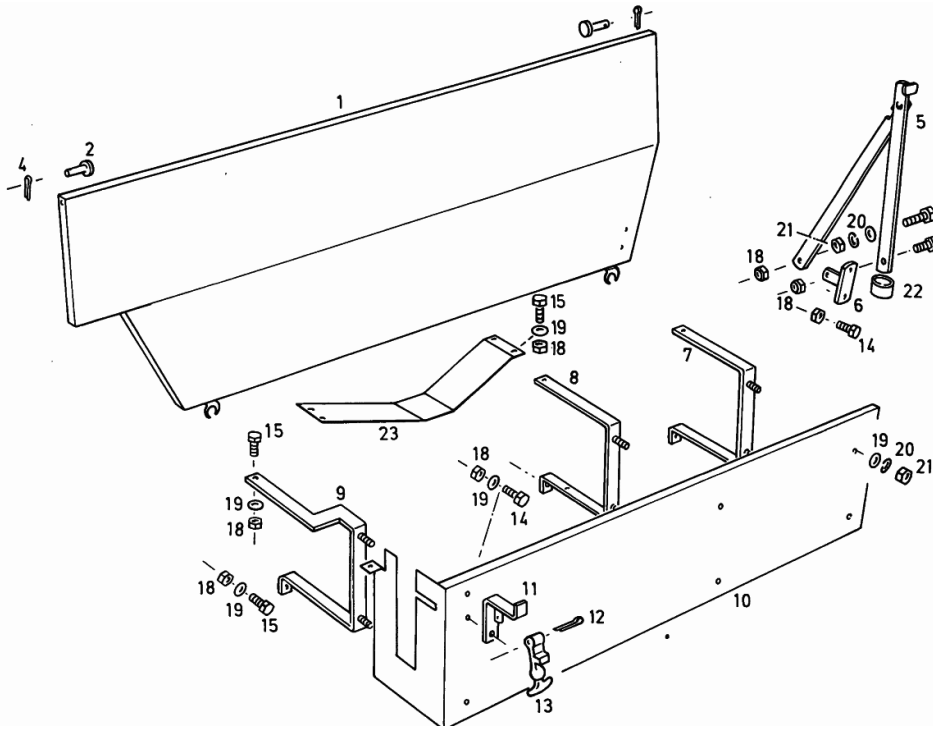
Section: H1 - COMBINE HARVESTER
GRAIN ELEVATOR



| Fig. | Code | QTY | Name |
|------|---------------|-----|-------------------------------------------------------|
| 1 | 1212316062010 | 1 | - G 1-13,18 |
| 2 | 1111616010200 | 1 | - |
| 3 | 06235581 | 1 | roll pin |
| 4 | 1210716016700 | 1 | - |
| 5 | 1212316018100 | 1 | - |
| 6 | 1212316091000 | 1 | - |
| 7 | 1210716020200 | 1 | - |
| 8 | 1210716000200 | 1 | - |
| 9 | 06210004 | 1 | smau pin 11x4 |
| 10 | 01143002 | 1 | split pin |
| 11 | 01143003 | 1 | split pin 3,2x 36 d94 |
| 12 | 01107165 | 1 | washer 10.5 |
| 13 | 01107163 | 3 | washer 9, d126 |
| 14 | 06214206 | 1 | washer 13.2 |
| 15 | 01102801 | 1 | washer 12 |
| 16 | 01112529 | 1 | screw m 12 x 30, d933 |
| 17 | 1212316014700 | 1 | - |
| 18 | 01104944 | 2 | nut m 8, d985 |
| 19 | 06215741 | 1 | bearing yb 30 |
| 20 | 06215783 | 2 | flange rb 30 |
| 21 | 1212316016200 | 1 | - |
| 22 | 06515643 | 1 | - |
| 22 | 06515843 | 1 | 2691 <- chain wheel z-8 >- 2692 |
| 23 | 06212426 | 1 | stop 8x7x45 d6885 |
| 24 | 01112407 | 3 | screw m 10 x 20, d933 |
| 25 | 01102800 | 3 | washer 10.2 |
| 26 | 01102659 | 3 | nut m 10, d934 |
| 27 | 1212316077000 | 1 | - |
| 27 | 1212416062000 | 1 | - |
| 28 | 06255394 | 39 | M 2480 - M 2685 M 2780 - M 2780 H 1911 <- plate |
| 28 | 06255394 | 42 | M 2480 - M 2685 plate M 2780 - M 2780 H |
| 29 | 1210616017100 | 39 | - |
| 29 | 1210616017100 | 42 | M 2480 - M 2685 - M 2780 - M 2780 H 1911 <- |
| 30 | 01112341 | 0 | screw m 8 x 30, d933 |
| 31 | 01104944 | 0 | nut m 8, d985 |

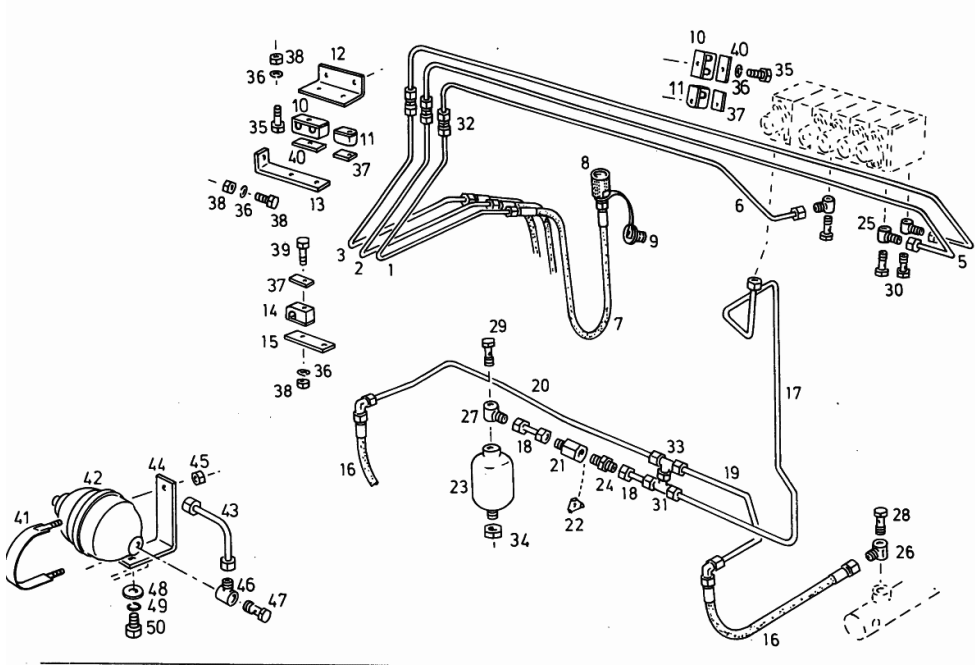
L.H. LINING

| Fig. | Code | QTY | Name |
|------|---------------|-----|-----------------------------|
| 1 | 1212321052000 | 1 | - |
| 2 | 06210003 | 2 | pin |
| 4 | 01143003 | 2 | split pin 3,2x 36 d94 |
| 5 | 1212321066000 | 1 | - |
| 6 | 1210721059000 | 1 | - |
| 7 | 1212321092600 | 1 | - |
| 8 | 1212321092700 | 1 | - |
| 9 | 1212321092900 | 1 | - |
| 10 | 1212321092800 | 1 | - |
| | | | 1361 <- |
| 10 | 1212321092810 | 1 | - |
| | | | -> 1362 |
| 11 | 1212321094900 | 1 | - |
| 12 | 01106474 | 1 | split pin 5 x 5 x 50 |
| 13 | 06519313 | 1 | rubber |
| 14 | 01112307 | 4 | screw m 8 p.1.25 x 15, d933 |
| 15 | 01112322 | 8 | screw m 8 p.1.25 x 20 |
| 16 | 01112333 | 2 | screw m 8 x 25, d933 |
| 17 | 01112350 | 1 | screw m 8 x 35 |
| 18 | 01104944 | 15 | nut m 8, d985 |
| 19 | 01107163 | 0 | washer 9, d126 |
| 20 | 01102799 | 7 | washer 8, d128 |
| 21 | 01112824 | 7 | nut m 8, d934 |
| 22 | 1210721012900 | 1 | - |
| 23 | 1212321030100 | 1 | - |



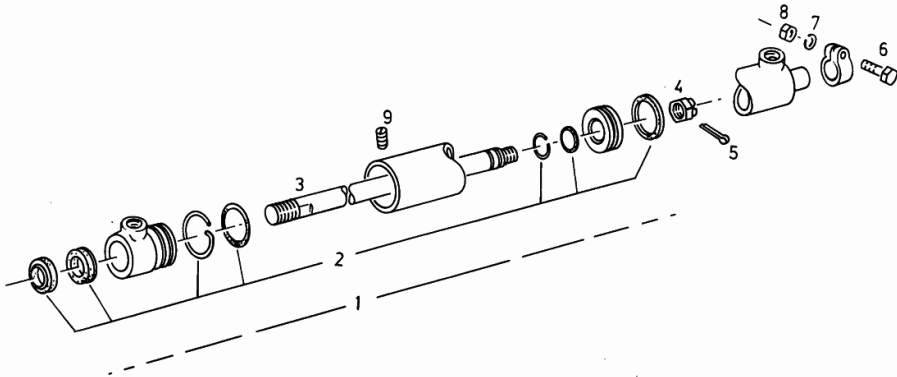
Section: H1 - COMBINE HARVESTER
HYDRAULIC SYSTEM

| Fig. | Code | QTY | Name |
|------|---------------|-----|----------------------------|
| 42 | 06277334 | 1 | V (F) air accumulator |
| 43 | 1212322097600 | 1 | V (F) - |
| 44 | 1212322027000 | 1 | V (F) - |
| 45 | 01114357 | 2 | V (F) nut m 6, d985 |
| 46 | 06216948 | 1 | V (F) threaded joint |
| 47 | 06216959 | 1 | V (F) - |
| 48 | 0624218 | 1 | V (F) - |
| 49 | 01102803 | 1 | V (F) washer 16 |
| 50 | 01112670 | 1 | V (F) screw m16x30 d933 |

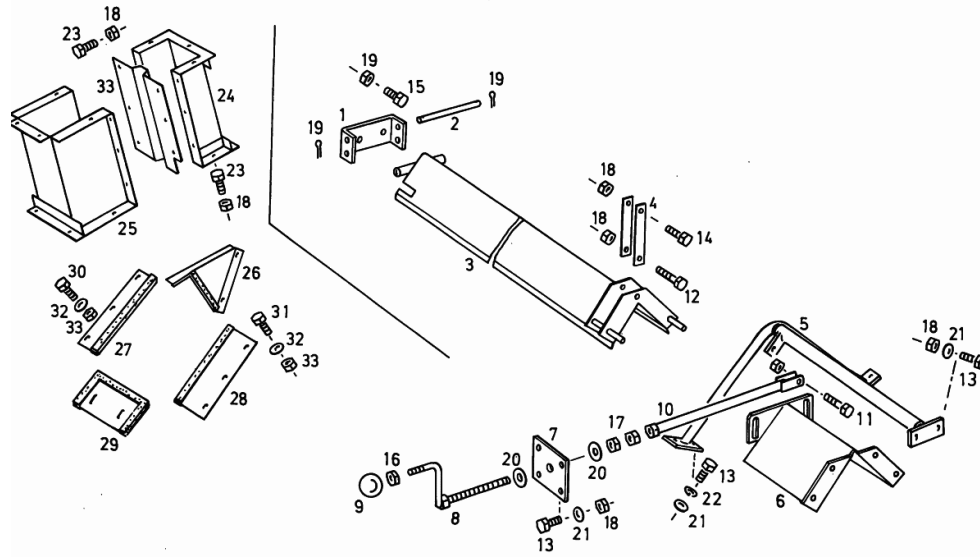


Section: H1 - COMBINE HARVESTER
STEERING CYLINDER S 3

| Fig. | Code | QTY | Name |
|------|----------|-----|----------------------|
| 1 | 06503192 | 1 | cylinder 1811 <- |
| 1 | 06501366 | 1 | jack -> 1812 |
| 2 | 06276352 | 0 | gasket set |
| 3 | 06502966 | 1 | none -> 1811 |
| 3 | 06257266 | 1 | rod 1811 <- |
| 4 | 01113261 | 1 | nut |
| 5 | 01143005 | 1 | split pin 4 x 45 d94 |
| 6 | 06209081 | 1 | screw m 10 x 40 |
| 7 | 01102800 | 1 | washer 10.2 |
| 8 | 01102659 | 1 | nut m 10, d934 |
| 9 | 06208940 | 1 | grain m 5x10 |



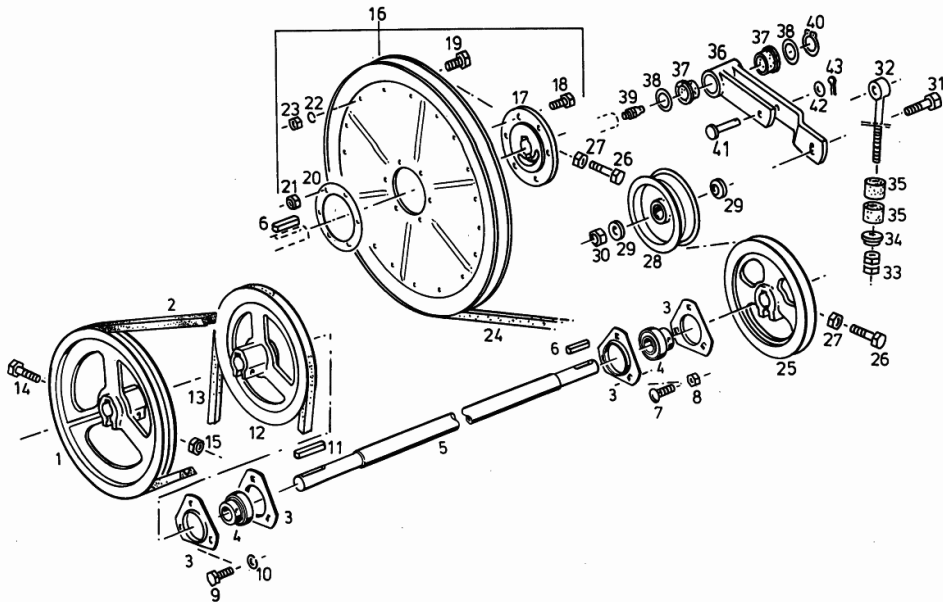
Section: H1 - COMBINE HARVESTER
GRAIN TANK

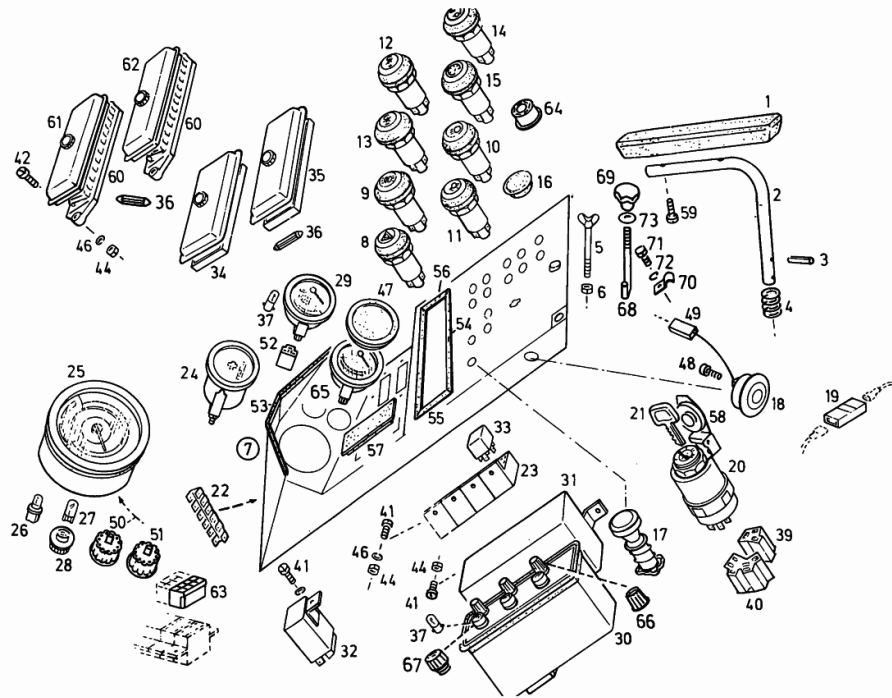


| Fig. | Code | QTY | Name |
|------|---------------|-----|-----------------------------|
| 1 | 1212327114100 | 1 | - |
| 2 | 1210627022100 | 1 | - |
| 3 | 1212327089000 | 1 | - |
| 4 | 1212327116000 | 2 | - |
| 5 | 1212327178000 | 1 | - |
| 6 | 1212327193300 | 1 | - |
| 7 | 1212327118000 | 1 | - |
| 8 | 1212327193600 | 1 | - |
| 9 | 01107401 | 1 | push-button |
| 10 | 1212327193500 | 1 | - |
| 11 | 01111134 | 1 | screw |
| 12 | 01111177 | 1 | screw |
| 13 | 01112322 | 10 | screw m 8 p.1.25 x 20 |
| 14 | 01112333 | 1 | screw m 8 x 25, d933 |
| 15 | 01112418 | 2 | screw m 10 x 25, d933 |
| 16 | 01138942 | 1 | nut bm10 d439 |
| 17 | 01137252 | 2 | nut bm12 d439 |
| 18 | 01104944 | 14 | nut m 8, d985 |
| 19 | 06209768 | 2 | nut m 10, d985 |
| 20 | 01133726 | 2 | washer 13 |
| 21 | 06214192 | 10 | washer 8.4 |
| 22 | 01102799 | 4 | washer 8, d128 |
| 23 | 01112307 | 18 | screw m 8 p.1.25 x 15, d933 |
| 24 | 1212316091100 | 1 | - |
| 24 | 1212416090300 | 1 | M 2480 - M 2685 |
| 25 | 1212316091200 | 1 | - |
| 25 | 1212416090200 | 1 | M 2780 - M 2780 H |
| 26 | 1212327098600 | 1 | - |
| 27 | 1212327098700 | 1 | - |
| 28 | 1212327098800 | 1 | - |
| 29 | 1212327190900 | 1 | - |
| 30 | 01112264 | 3 | screw m 6 x 20, d933 |
| 31 | 01103316 | 9 | screw m 6 p.1.0 x 16 |
| 32 | 01107158 | 12 | washer 6.6, d125 |
| 33 | 1212316091300 | 1 | - |
| 33 | 1212416090100 | 1 | M 2480 - M 2685 |
| | | | M 2780 - M 2780 H |

Section: H1 - COMBINE HARVESTER
KORNTANKANTRIEB -> 437

| Fig. | Code | QTY | Name |
|------|---------------|-----|-------------------------------|
| 32 | 1212303495700 | 1 | - |
| 33 | 01112858 | 2 | nut m 12, d934 |
| 34 | 1212303226800 | 1 | - |
| 35 | 06240287 | 2 | rubber mount Ø 14 / Ø 40 x 40 |
| 36 | 1212303294500 | 1 | - |
| 37 | 06260680 | 2 | sleeve 30 x 45 x 20 |
| 38 | 06214234 | 2 | disc 31 x 45 x 2 |
| 39 | 01120693 | 1 | lubricator am 8 x 1 |
| 40 | 01107742 | 1 | circlip 30x1.5 |
| 41 | 01137134 | 1 | pin |
| 42 | 01123616 | 1 | washer 13.5 |
| 43 | 01143005 | 1 | split pin 4 x 45 d94 |

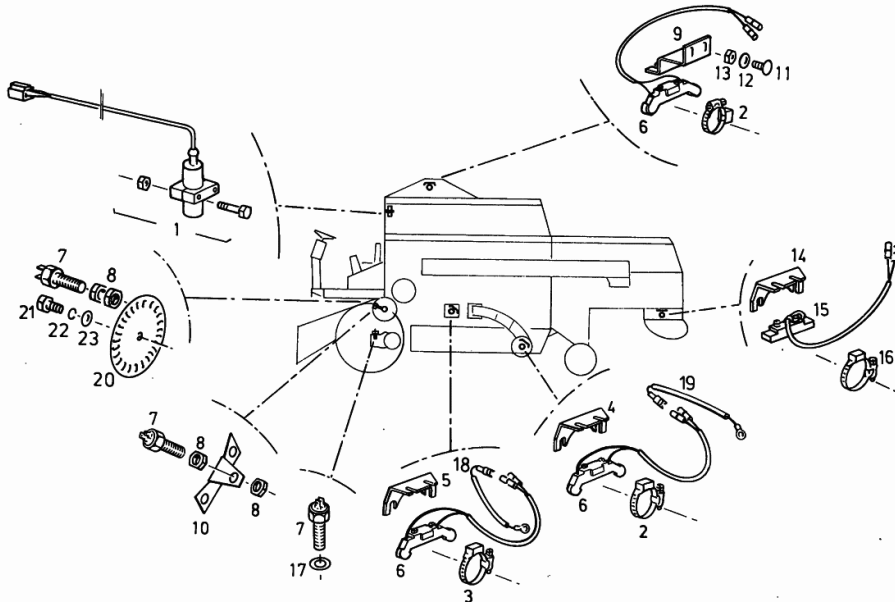


Section: H1 - COMBINE HARVESTER
CENTRAL ELECTRICS

| Fig. | Code | QTY | Name |
|------|---------------|-----|------------------------------------------|
| 63 | 01231343 | 0 | socket 8 pol. |
| 63 | 01242000 | 0 | plug 8 pol. |
| 63 | 01242001 | 0 | socket 8 pol. |
| 63 | 01242002 | 0 | plug 8 pol. |
| 63 | 01242003 | 0 | socket 8 pol. |
| 63 | 01172808 | 0 | body 8 pol. |
| 63 | 06214000 | 0 | plug |
| 63 | 06214001 | 0 | body 8 pol. |
| 64 | 01171608 | 8 | connection |
| 65 | 06261946 | 1 | tempe guage HYDRAULIC OIL M 2780 H |
| 66 | 1212332912000 | 0 | - |
| 67 | 1212332911900 | 0 | - |
| 68 | 1212332210200 | 1 | - |
| 69 | 06212237 | 1 | knob -> 1362 |
| 70 | 06216401 | 1 | hose clip 12 x 20 -> 1362 |
| 71 | 01112307 | 1 | screw m 8 p.1.25 x 15, d933 -> 1362 |
| 72 | 01102799 | 1 | washer 8, d128 -> 1362 |
| 73 | 01107163 | 1 | washer 9, d126 -> 1362 |

DREHZAHLUEBERWACHUNG KORNTANKFUELLANZEIGE

| Fig. | Code | QTY | Name |
|------|---------------|-----|----------------------------------|
| 1 | 1212332391200 | 1 | - |
| 2 | 06287467 | 3 | clamp |
| 3 | 06295558 | 1 | magneto |
| 4 | 06287469 | 1 | support |
| 5 | 06295559 | 1 | support |
| 6 | 06287468 | 3 | magneto |
| 7 | 06262123 | 2 | sensor m 18 p.1.5 |
| 8 | 01138932 | 2 | nut m 18 p.1.5 |
| 9 | 1212332314300 | 1 | - |
| 10 | 1212332391300 | 1 | - |
| 11 | 06207566 | 2 | 1361 <- screw |
| 12 | 06214189 | 2 | washer 6.4 |
| 13 | 01114357 | 2 | nut m 6, d985 |
| 14 | 06262183 | 1 | support |
| 15 | 06262181 | 1 | switch |
| 16 | 06262180 | 1 | W magneto |
| 17 | 01118713 | 1 | washer 18.5 |
| 18 | 1212332556000 | 1 | - |
| 19 | 1212332557000 | 1 | - |
| 20 | 1212132310000 | 1 | - |
| 21 | 01112418 | 1 | screw m 10 x 25, d933 -> 1362 |
| 22 | 01102800 | 1 | washer 10.2 -> 1362 |
| 23 | 06214197 | 1 | washer 10.5 -> 1362 |



CLICK HERE TO **DOWNLOAD** THE COMPLETE MANUAL

- Thank you very much for reading the preview of the manual.
- You can download the complete manual from: www.heydownloads.com by clicking the link below



- Please note: If there is no response to CLICKING the link, please download this PDF first and then click on it.

CLICK HERE TO **DOWNLOAD** THE COMPLETE MANUAL