

# DXbis 140

## BRAKE

### Control assy./servise brake, Parking brake

OPERATION - PARKING BRAKE..... 13.29.8

### Service brake, Contral assy./service brake

SERVICE BRAKE..... 13.30.21

OPERATION - SERVICE BRAKE - LINES..... 13.30.26

VALVE PARTS..... 13.30.27

OPERATION - SERVICE BRAKE - LINES..... 13.30.28

OPERATION - SERVICE BRAKE - LINES..... 13.30.29

OPERATION - SERVICE BRAKE - LINES..... 13.30.30

### Pneumatic system

COMPRESSED-AIR UNIT..... 13.55.20

COMPRESSED-AIR UNIT..... 13.55.21

COMPRESSED-AIR UNIT..... 13.55.22

### Hydr. brake for trailer

HYDR. BRAKE..... 13.56.5

HYDR. BRAKE..... 13.56.6

CLICK HERE TO **DOWNLOAD** THE COMPLETE MANUAL

- Thank you very much for reading the preview of the manual.
- You can download the complete manual from: [www.heydownloads.com](http://www.heydownloads.com) by clicking the link below



- Please note: If there is no response to CLICKING the link, please download this PDF first and then click on it.

CLICK HERE TO **DOWNLOAD** THE COMPLETE MANUAL

## Section: BRAKE

## OPERATION - SERVICE BRAKE - LINES

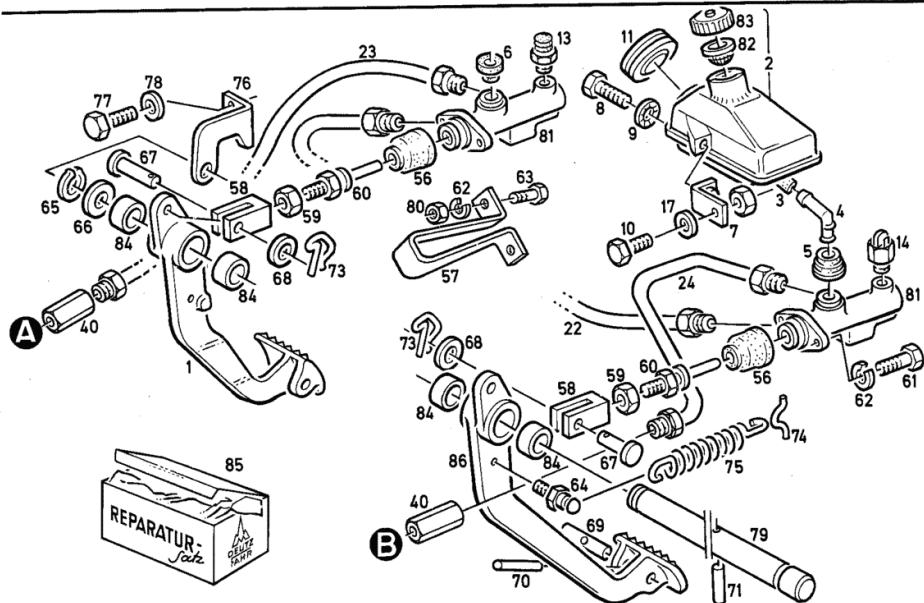
Fig.	Code	QTY	Name
1	04304602	1	pedal
2	04314055	1	container
3	04314109	1	flexible hose
4	04305837	1	pipe fitting 6, d128
5	04305838	1	plug
6	04305839	1	plug
7	04314052	1	square
8	01129104	2	screw m 6 p.1.0 x 16 DIN 000933-M 6 X 16 SB- 8.8-A 4C
9	01126726	1	spring disc b6 d137 DIN 000137-B 6-FST-A4C
10	01112307	1	screw m 8 p.1.25 x 15, d933 ISO 004017-M 8 X 16 - 8.8-A4C
11	04312531	1	hood
13	04311150	1	valve
14	02317786	1	switch
17	01107101	1	washer 8.4 DIN 000125-A 8,4-140HV-A4C
22	04336162	1	pipng
23	04336168	1	pipng
24	04336166	1	pipng
40	04378300	4	shim
56	02389277	2	tube
57	04336161	1	stop
58	02386821	2	ball joint
59	01113158	2	nut m12x1,5 d936 DIN 000936-M12X1,5 -22H-A4C
60	04349697	2	ferrule
61	01129113	4	screw m 8 x 30 DIN 000933-M 8 X 30 SB- 8.8-A 4C
62	01107101	6	washer 8.4 DIN 000125-A 8,4-140HV-A4C
63	01112307	2	screw m 8 p.1.25 x 15, d933 ISO 004017-M 8 X 16 - 8.8-A4C
64	01235354	2	brace
65	01107740	1	circlip DIN 000471- 28X1,5
66	01162418	1	washer H 002308-29 X44X2 -A4C
67	01114714	2	pin DIN 001434-12F 8X 35X 30 -ST5 0-2-ZNPHRF

**DEUTZ  
FAHR**

BREMSBETÄTIGUNG  
BRAKE CONTROL  
ACTIONNEMT FREIN  
ACCIONAM. FRENO



1029- 30 503 5915



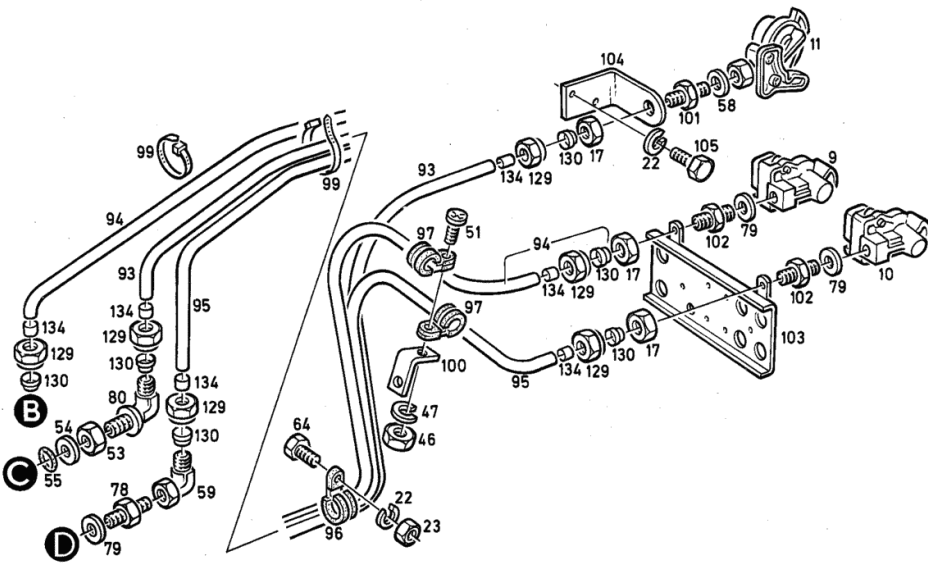
Section: BRAKE  
**COMPRESSED-AIR UNIT**

Fig.	Code	QTY	Name
9	04323303	1	socket
10	04323302	1	socket
11	04322997	1	top
17	01131116	4	nut m 18 x 1.5 ISO 008675- M18X1,5 -05-A4C
22	01107101	10	washer 8.4 DIN 000125-A 8,4-140HV-A4C
23	01112824	12	nut m 8, d934 ISO 004032-M 8 - 8-A4C
46	01112813	6	nut m 6 DIN 000934-M 6 - 8-A4C
47	01102797	7	washer 6, d128 DIN 000128-A 6 -FST -A4C
51	01119635	5	screw ISO 007045-M 6X 16 - 4.8-H -A 4C
53	01123543	5	nut m 22 x 1,5 DIN 074305-M22X1,5-A4C
54	02523701	5	ring
55	02523700	5	ring
58	01118737	5	'o' ring 22 x 27 DIN 007603-A 22 X 27 -CU
59	01179537	2	pipe fitting BL 12 H H 003130-BL12-ST -A4C
64	01112341	3	screw m 8 x 30, d933 ISO 004017-M 8 X 30 - 8.8-A4C
78	01122822	2	pipe fitting I 12 a d3901 DIN 003901-L 12A-M-ST-A4C
79	01118700	4	'o' ring Ø 16 x 20 DIN 007603-A 16 X 20 -CU
80	01143571	3	tongue H 003126-B12 M22X1,5-ST-A4C
93	04308135	1	tube
94	04390999	1	pipng
95	04389949	1	tube
96	01173182	1	clamp H 003223-B22X20-W1/CR70-10
97	01213265	3	clamp H 003223-B12X15-W1/CR70-10
99	01172065	10	clamp 4.6 x 146 H 007672-G 146X 4,6
100	04330515	1	square
101	01143567	1	pipe fitting m 22 x 1.5 H 003125-A12 M22X1,5-ST-A4C



KOMB 1-2-LEITUNGS-DRUCKLUFTANLAGE  
 COM OF 1-2-LINE COMPRESSED AIR SYSTEM  
 SYSTEME DE AIR COMP COMBINE A1-2 CONDUITES  
 SISTEME DE AIRE COMP. COMB. DE CONDUCTO 1-2-CONDUCTOS

1906 - 55 503 5765



**CAB DOOR**

FAHRERHAUSTÜR  
CAB DOOR  
PORTIERE DE CABINE  
PUERTA CABINA

1905-37 502 4178

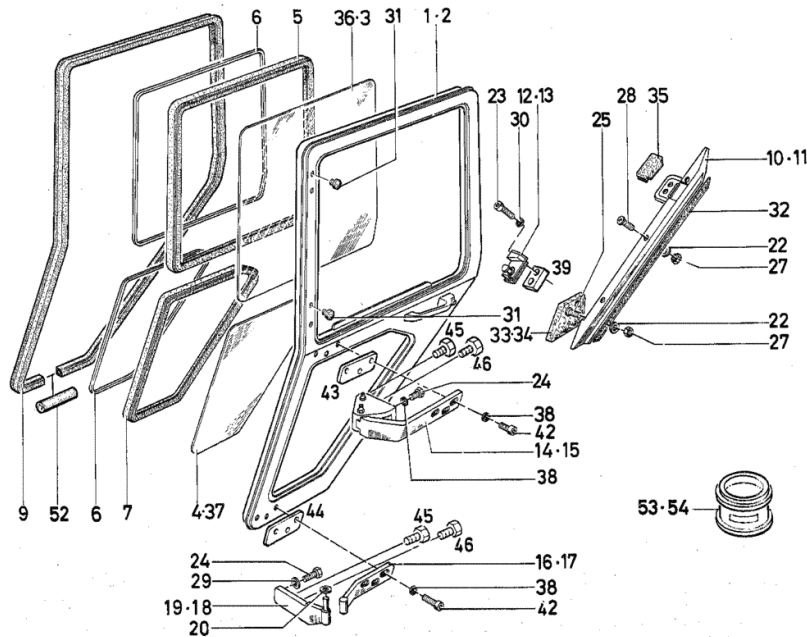


Fig.	Code	QTY	Name
1	04309519	0	chassis frame LEFT 1905-37 502 4223
2	04309520	1	chassis frame RIGHTS 1905-37 502 4223
3	04309526	1	glass
4	04309514	1	glass
5	04312066	1	chassis frame
6	01393150	0	lance filler H 007560- D 7,5 X 9,5 1940 MM
7	04312065	1	chassis frame
9	01395475	0	gasket H 846471-21-PN 1 -EPDM 3925 MM
10	04309523	1	contact surface LEFT
11	04309522	1	contact surface RIGHTS
12	04303591	1	heelpiece 195,LINKS
13	04303592	1	heelpiece RIGHTS
14	04327422	0	hinge LEFT B313,TEILENUMMERN-LISTENBLATT 1905-37 502 7782
15	04327423	0	hinge RIGHTS B313,TEILENUMMERN-LISTENBLATT 1905-37 502 7782
16	04308737	1	hinge 195,LINKS
17	04308739	1	hinge RIGHTS
18	04308758	1	hinge LEFT
19	04308757	1	hinge RIGHTS
20	01107105	2	washer 10.5 DIN 000125-A10,5-140HV-A4C
22	01119810	4	washer 6.4 DIN 009021- 6,4-100HV-A4C

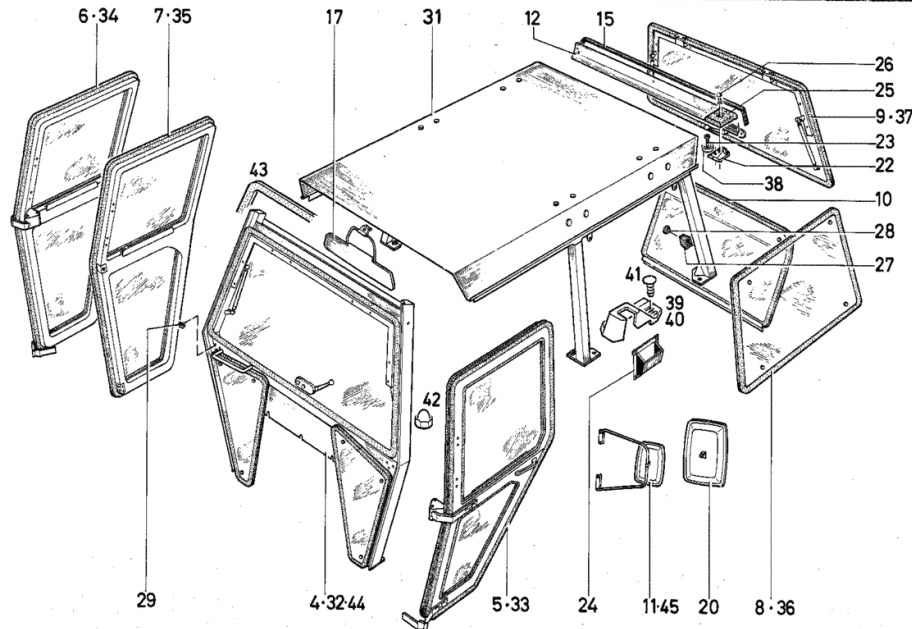
**CAB**

Fig.	Code	QTY	Name
4	00000000	0	not serviceable PART NUMBERS LISTING SHEET 1905-37 502 4177
5	00000000	0	not serviceable PART NUMBERS LISTING SHEET 1905-37 502 4178
6	00000000	0	not serviceable PART NUMBERS LISTING SHEET 1905-37 502 4178
7	00000000	0	not serviceable PART NUMBERS LISTING SHEET 1905-37 502 4179
8	04312655	0	glass PART NUMBERS LISTING SHEET 1905-37 502 4180
9	00000000	0	not serviceable PART NUMBERS LISTING SHEET 1905-37 502 4181
10	00000000	0	not serviceable PART NUMBERS LISTING SHEET 1905-37 502 4182
11	00000000	0	not serviceable PART NUMBERS LISTING SHEET 1024-67 502 4034
12	04308787	1	spring
15	04312726	1	profile
17	00000000	0	not serviceable PART NUMBERS LISTING SHEET 1905-37 502 4184
20	00000000	0	not serviceable PART NUMBERS LISTING SHEET 1024-67 502 4035
21	01119817	6	washer DIN 009021- 6,4-140HV-A4C
22	04307794	1	stop
23	01137494	2	screw DIN 000912- M 6 X 25SB- 8.8-A 4C
24	04314165	1	ash-try
25	04312096	1	cap
26	04304484	1	rivet
27	04312025	2	cap
28	01167323	2	bottom H 002873-A 19 X 16,3X 9,5-PE



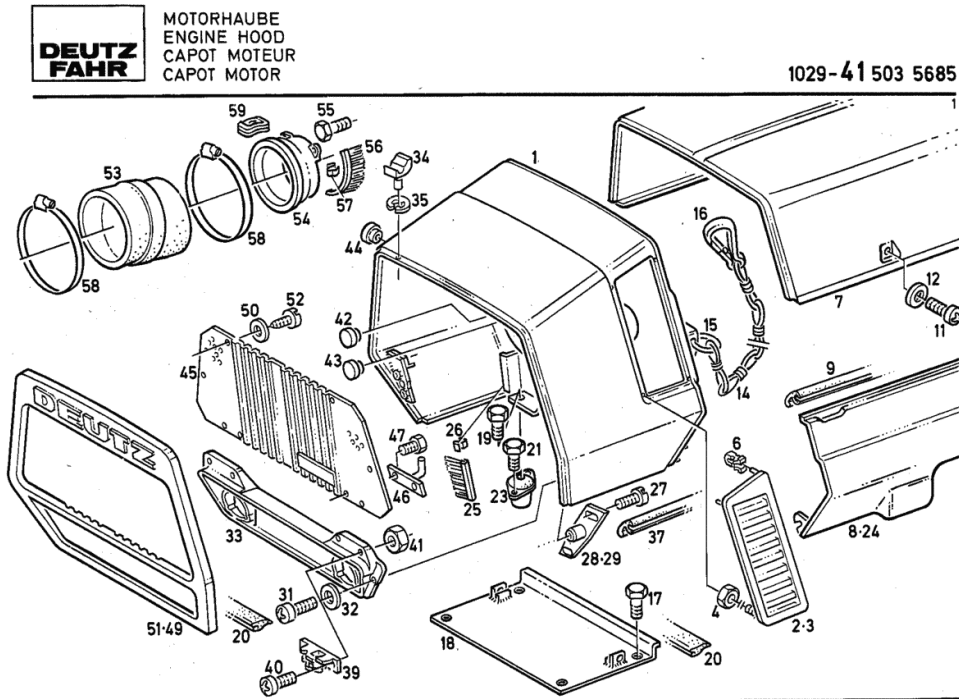
FAHRERKABINE  
DRIVER'S CAB  
CABINE DE CONDUCT  
CAB. D. CONDUCTOR

1905 - 37 502 4216



Section: BUILT-ON ACCESSORIES  
**HOOD**

Fig.	Code	QTY	Name
57	04309501	3	terminal
58	04326773	4	clamp
59	04334081	1	gasket

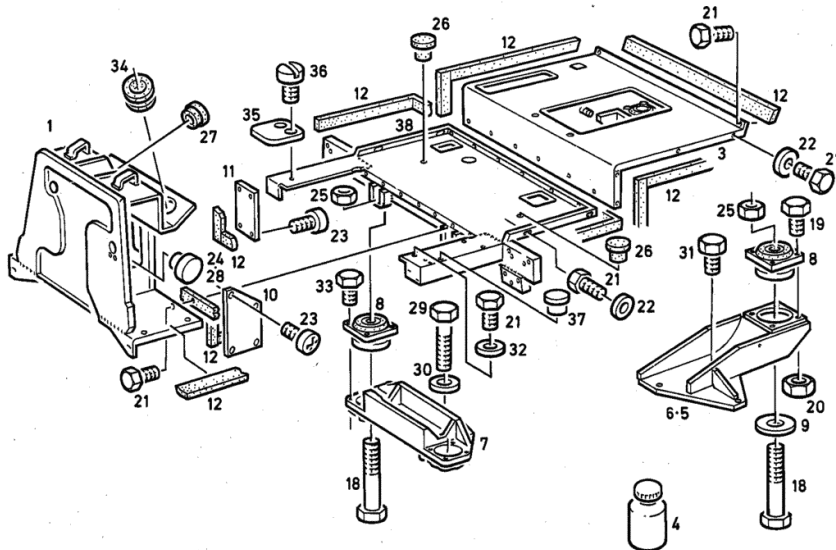


Section: BUILT-ON ACCESSORIES  
FLOOR

Fig.	Code	QTY	Name
1	04329867	1	consolle
3	04347392	1	lamination
4	01008379	0	gasket H 000699-DEUTZ DW 44- 320 CCM TEROLAN 3531
5	04326758	1	consolle LEFT
6	04326759	1	consolle RIGHTS
7	04326760	1	bearing block
8	04300035	4	bearing
9	02388633	4	plate
10	04303074	1	cover
11	02384608	1	cover
12	01393351	0	gasket H 843180-01- 5X 10 -EP 650,1900,900,860,340,850 MM
18	01133646	4	screw ISO 008765- M20X2 X 90 - 8.8- A4C
19	01112418	8	screw m 10 x 25, d933 DIN 000933-M10 X 25 - 8.8-A4C
20	01102659	8	nut m 10, d934 DIN 000934-M10 - 8-A4C
21	01129110	32	screw m 8 p.1.25 x 20 DIN 000933-M 8 X 20 SB- 8.8-A 4C
22	01136363	19	washer 8.4 DIN 009021- 8,4-140HV-A4C
23	01119635	8	screw ISO 007045-M 6X 16 - 4.8-H -A 4C
24	01172795	2	bottom H 002873-P 8,5X 4 X 6 -DEUTZ GREEN 74
25	01136472	2	nut DIN 000980-VM20X2 -10-A-A4C G EWACHST
26	01172793	4	bottom H 002873-N 14 X 8,5X 4,5-DEUT Z GRUEN 74
27	04312029	1	cap
28	01169034	1	bottom H 002873-P 12 X 7 X 6 -GN

**DEUTZ  
FAHR**  
FUSSBODEN  
FLOOR PLATTING  
PLANCHER  
PISO DE PLATFOMA

1029-53 503 5702



**DRIVER'S SEAT**

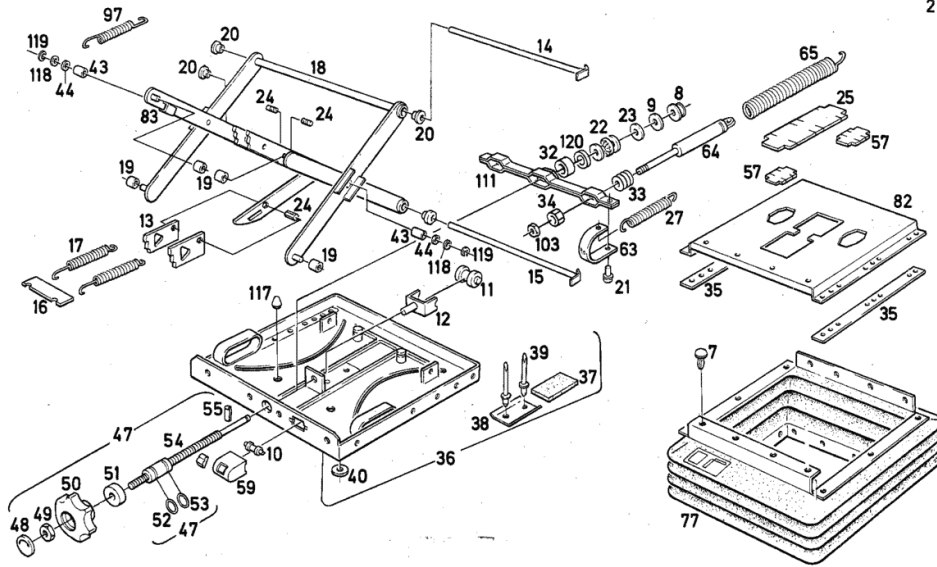
Fig.	Code	QTY	Name
7	04311704	26	plug
8	04311693	1	bushing
9	04311692	1	disc
10	04311694	1	roller
11	04311703	1	roller bearing
12	04311702	1	fork
13	04311719	2	clutch.pres plate
14	04311722	1	pin
15	04311723	1	pin
16	04311718	1	plate
17	04311717	2	spring
18	04367203	1	arm
19	04311716	8	roller
20	04311715	4	bearing
21	04311748	1	plug
22	04311753	1	bearing
23	01107101	1	washer 8.4 DIN 000125-A 8,4-140HV-A4C
24	04311720	1	pin
25	04311707	1	plate
27	04311749	1	spring
32	04320443	1	bushing
33	04311752	2	tongue
34	01171379	2	nut H 002191-CM 6/2
35	04311708	2	rail
36	04311697	1	spring
37	04311699	1	rubber plate
38	04311700	1	disc
39	04311701	2	rivet
40	01107101	4	washer 8.4 DIN 000125-A 8,4-140HV-A4C
43	04313502	2	sleeve
44	04311714	2	washer
47	04346002	1	mandrel
48	04311739	1	cover
49	01102659	1	nut m 10, d934 DIN 000934-M10 - 8-A4C
50	04311740	1	washer
51	04311741	1	disc
52	04311742	1	rubber ring BLACK
53	04311743	1	rubber ring RED



KOMFORTSITZ - SUPER-FEDERUNG  
COMFORT SEAT - SUPER -SPRING ASSY  
SIEGE - SUPER CONFORT -SUSPENSION  
ASIENTO -SUPER CONFORT-SUSPENS. ELASTICA

1024-54 503 5735

2



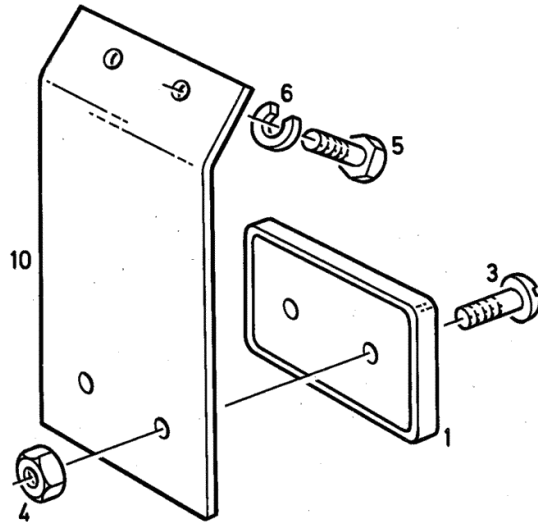
**RETROREFLECTOR**

Fig.	Code	QTY	Name
1	04308511	2	reflector
3	01119633	4	screw m 5 x 16 ISO 007045-M 5X 16 - 4.8-H -A 4C
4	01136451	4	nut 5 DIN 000980-VM 5 - 8-A4C GEWAC HST
5	01112240	4	screw m 6 x 12 ISO 004017-M 6 X 12 - 8.8-A4C
6	01102797	4	washer 6, d128 DIN 000128-A 6 -FST -A4C
10	04377425	2	console



RÜCKSTRAHLER - TRAGROHR  
 REAR REFLECTOR - SUPPORT TUBE  
 CATAPHOTE - TROMPETTE  
 OJO DE GATO / REFLEC - TROMPETA EJE

1024 - 68 503 5751



## Section: BUILT-ON ACCESSORIES

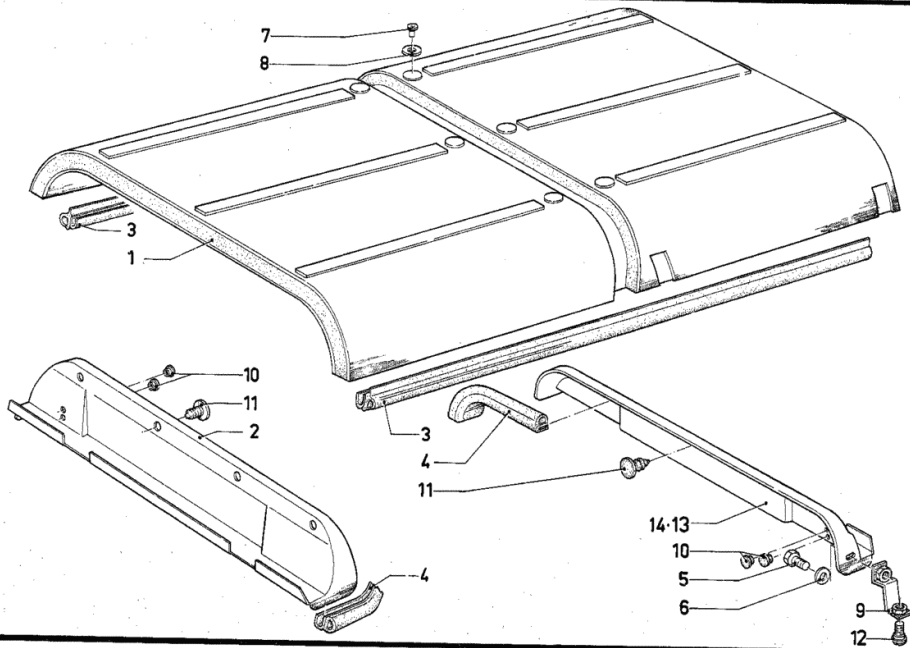
## ROOF COVERING

Fig.	Code	QTY	Name
1	04307635	1	lining
2	04307636	1	diaphragm
3	01395029	0	gasket H 846471-06-PN 1 1350 MM.
4	01395475	0	gasket H 846471-21-PN 1 -EPDM 1280,0 MM.
5	01171732	4	screw H 002093- 933-M 8 X 16- 8.8
6	01171740	4	washer 8,4x17x1,6 d125 H 002398- 125-A 8,4-ST
7	01172572	6	rivet A4 - h2416 H 002416-A4 X 9,5-AL
8	04307637	6	stop
9	04309757	4	consolle
10	04312803	4	plug
11	04307610	8	plug
12	01172644	4	screw H 002093- 923-M 8 X 4
13	04319379	1	cover
14	04317189	1	diaphragm BEI BEIFAHRERSITZ



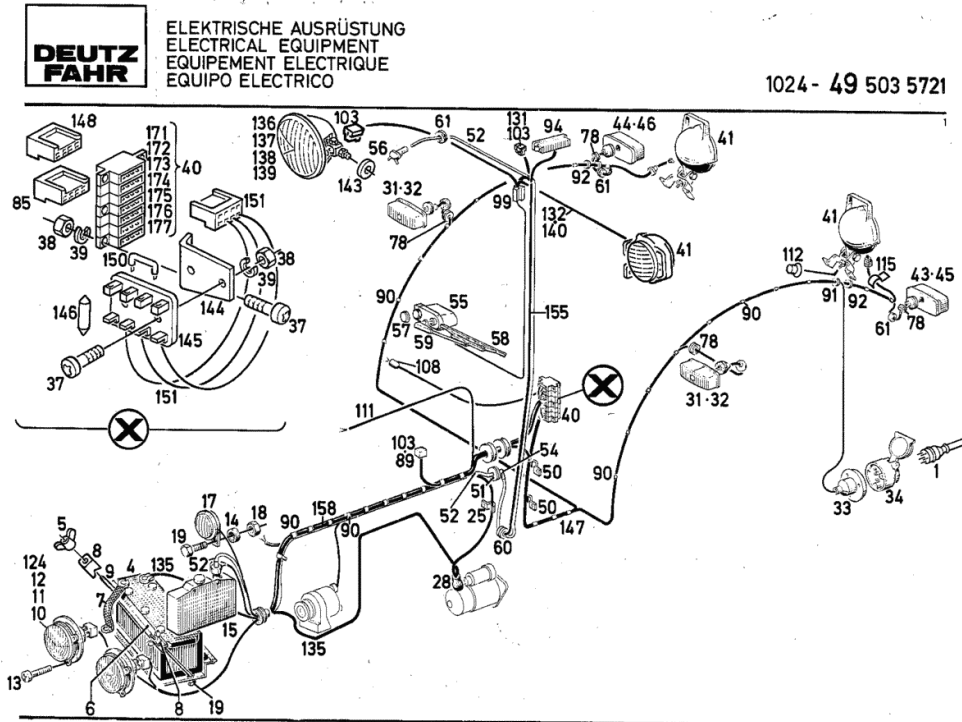
DACHVERKLEIDUNG - ECONOMIC KABINE  
 ROOF PANELLING - ECONOMIC CAB  
 REVETEMENT DE TOIT - ECONOMIC CABINE  
 CUBIERTA TECHO - ECONOMIC CABINA

1024-86 502 4048



Section: ELECTRIC AL SYSTEM  
ELECTRICAL EQUIPMENT FRONT

Fig.	Code	QTY	Name
			4C
38	01112803	6	nut m 5, d934 ISO 004032-M 5 - 8-A4C
39	01102796	6	ring 5 DIN 000128-A 5 -FST -A4C
40	04306004	1	distributor
41	04308197	0	headlight PART NUMBERS LISTING SHEET 1024-49 503 5728
43	04313469	0	light PART NUMBERS LISTING SHEET 1024-49 503 5727
44	04313471	0	light PART NUMBERS LISTING SHEET 1024-49 503 5727
45	04313473	0	light PART NUMBERS LISTING SHEET 1024-49 503 5727
46	04313475	0	light PART NUMBERS LISTING SHEET 1024-49 503 5727
50	01121263	4	clamp DIN 072571- 1X18-ST
51	04304550	2	sleeve
52	01400656	1	flexible hose H 007760-A 4 X 6 X2550
54	01231501	1	connection
55	01263150	1	wiper motor
56	01261734	1	nozzle
57	01164583	1	tube H 002870-A 13X 16
58	01262246	1	wiper blade
59	01263065	1	arm
60	01167427	1	rubber bushing H 002928-D17 X24 X 2 -GI DEUT Z 1
61	01167422	1	rubber bushing H 002928-D10 X13 X 4 -GI DEUT Z 1
78	04359263	4	sleeve
85	01231343	1	socket 8 pol. H 007642-NH6.3-8-LIGHT RED RED
89	01230759	1	box



Section: ELECTRIC AL SYSTEM  
**SPOTLIGHT**

Fig.	Code	QTY	Name
1	04318698	1	'o' ring
2	04342296	1	headlight
3	01100595	3	screw m 5x8 ISO 007045-M 5X 8 - 4.8-H -A4 C
4	04318697	3	link
5	01123047	3	screw ISO 007045-M 5X 30 - 4.8-H -A 4C M5X30 DIN 7985-4.8 A4C
6	04322691	1	insert

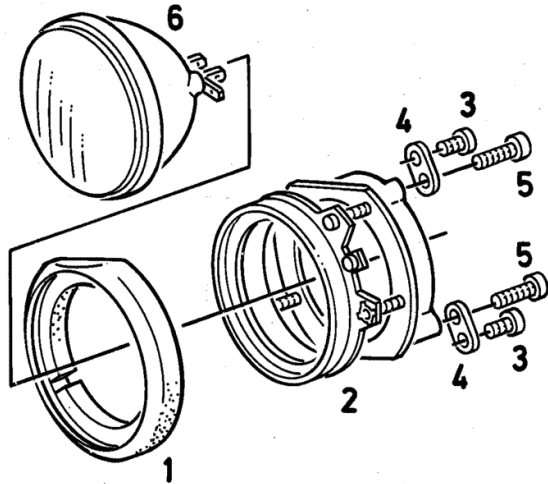
**DEUTZ  
FAHR**

SCHEINWERFER  
HEADLIGHT  
PHARE  
FARO

SEALED-BEAM

1024-49 503 5725

1



Section: ENGINE  
CRANKCASE

Fig.	Code	QTY	Name
25	01102799	8	washer 8, d128 DIN 000128-A 8 -FST -A4C
26	02234134	1	'o' ring
27	02234786	1	cover
950	03362380	7	bearing 1. UNDERSIZE STEP 69.75 MM RD. (2,7459 IN.)
951	03362381	7	bearing 2. UNDERSIZE STEP 69.50 MM RD. (2,7362 IN.)
952	03362382	7	bearing 3.UNDERSIZE STEP 69.25MM RD (2,7263 IN.)
953	03362383	7	bearing 4.UNDERSIZE STEP 69.00MM RD (2,7165 IN.)
954	03362384	7	bearing 5,UNTERMASST.68,75MM RD (2,7066 IN.)
955	03362385	7	bearing 6.UNDERSIZE STEP 68.50MM RD (2,6968 IN.)
956	02230182	1	shim 1. OVERSIZE 3.25 MM (0,1279 IN.)
957	02230183	1	shim 2.OVERSIZE STEP 3.50MM (0,1378 IN.)
958	02230184	1	shim 3. OVERSIZE 3.75 MM (0,1476 IN.)
959	02230185	1	shim 4. OVERSIZE 4.00 MM (0,1575 IN.)
960	02230172	1	shim 1. OVERSIZE 3.25 MM (0,1279 IN.)
961	02230173	1	shim 2.OVERSIZE STEP 3.50MM (0,1378 IN.)
962	02230174	1	shim 3. OVERSIZE 3.75 MM (0,1476 IN.)
963	02230175	1	shim

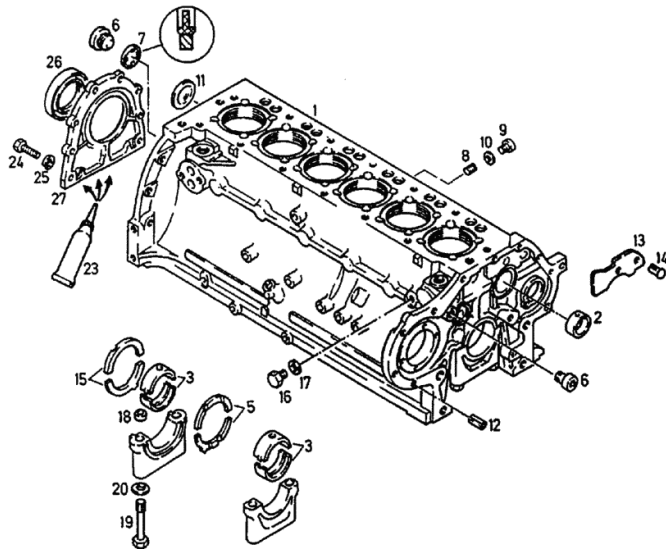


Kurbelgehäuse  
Crankcase  
Carter  
Bloque de cilindros

Referenznr.:

0150 -01- 0500 3302

001



Section: ENGINE  
TENSION ROLLER

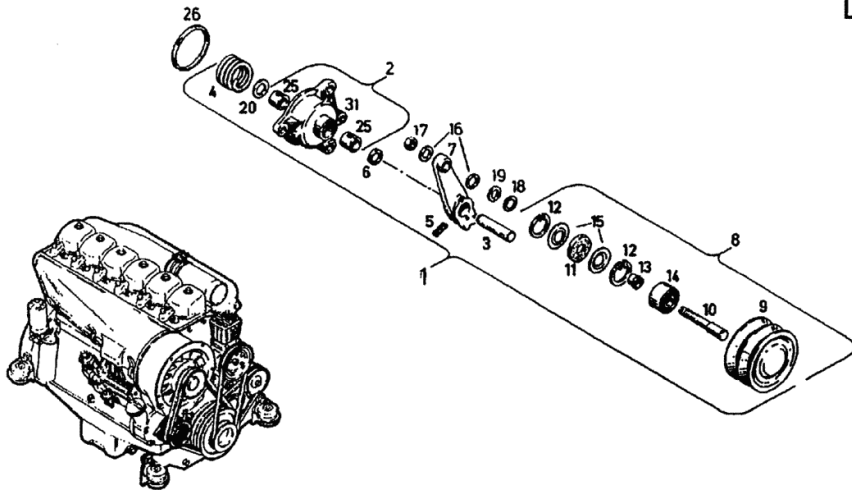
Fig.	Code	QTY	Name
1	02234578	1	pulley
2	02234587	1	cover
3	02238081	1	shaft
4	02234345	1	spring
5	01115473	1	pin 8 x 40, d1481 ISO 008752- 8 X 40
6	01161885	1	'o' ring H 002927- 18 X 4 -MVQ-1-50
7	02233171	1	lever
8	02232770	1	pulley
9	02136229	1	pulley
10	02232771	1	bolt
11	03362420	1	'o' ring
12	01107818	2	ring DIN 000472- 32X1,2
13	02232772	1	bushing
14	01171646	1	ball bearing H 004450- 2RK 15X 32 X 15 -2R S
15	03368393	2	ring
16	01107105	2	washer 10.5 DIN 000125-A10,5-140HV-A4C
17	01112841	1	nut m 10 DIN 000934-M10 - 8-OELGESCHW.
18	01215749	1	washer
19	01216123	1	washer
20	02238083	1	washer
25	02230851	2	bushing
26	01166111	1	'o' ring H 002927- 80 X 3 -MVQ-1-50
31	02234482	1	cover



Deckel  
Cover  
Couvercle  
Tapa

Referenznr.:  
0150 -01- 0503 1764

001



## Section: ENGINE

**FLYWHEEL**

Fig.	Code	QTY	Name
1	02245226	1	crosspiece
2	01104847	10	screw DIN 000961-M10X1 X 50 - 10.9-A4C
3	02131081	1	crown wheel
5	02246603	1	flange

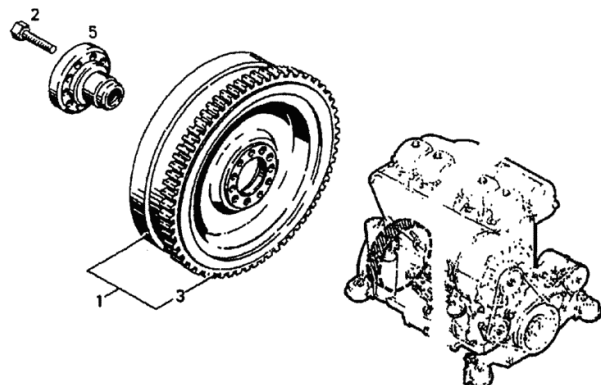
Referenznr.: 05022871

0150 -05- 0503 1771

000



Schwungrad  
Flywheel  
Volant  
Voilante



Section: ENGINE  
**CONDUIT**

Fig.	Code	QTY	Name
1	03371888	1	sleeve



Schutzrohr  
Protecting tube  
Tube protecteur  
Tubo protector

Referenznr.:

0150 -11- 0502 2186

003



Section: ENGINE  
**SHORT-CIRCUIT LEAD**

Fig.	Code	QTY	Name
1	02135724	2	hose clip
2	02131191	1	spacer
3	01111193	1	screw m 8 p.1.25 x 80 ISO 004014- M 8 X 80 - 8.8-A4 C
4	01102799	1	washer 8, d128 DIN 000128-A 8 -FST -A4C
5	01112240	1	screw m 6 x 12 ISO 004017-M 6 X 12 - 8.8-A4C
6	01112813	1	nut m 6 DIN 000934-M 6 - 8-A4C
7	01102797	1	washer 6, d128 DIN 000128-A 6 -FST -A4C
8	04157386	1	tube
9	01216511	2	ring
10	04157445	2	nut

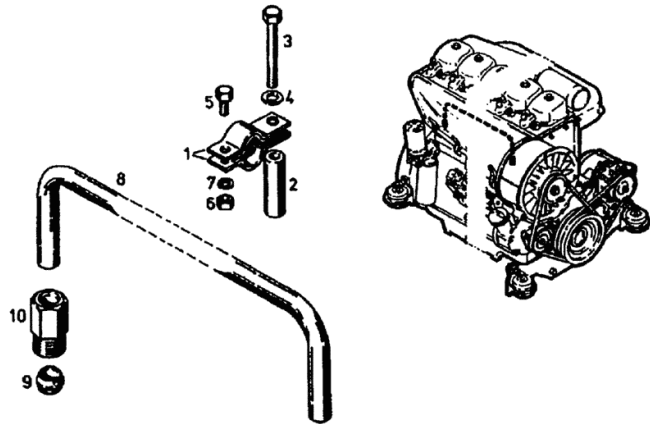


Kurzschlussleitung  
 Bypass line  
 Conduit de by-pass  
 Tuberia de by-pass

Referenznr.:

0150 -16- 0500 3431

D01



## Section: ENGINE

## INJECTION PUMP COMPONENT PARTS

Fig.	Code	QTY	Name
34	01118326	1	key DIN 006888- 4 X 6,5
35	01288210	3	screw
36	01102797	3	washer 6, d128 DIN 000128-A 6 -FST -A4C
37	01112813	3	nut m 6 DIN 000934-M 6 - 8-A4C
38	01288111	1	plate
39	01288088	6	tube
40	01298642	3	small block
41	01298643	3	small block
42	01104381	3	screw ISO 001207- M 6 X 28- 4.8- A4 C
43	01318803	1	plate
44	01288267	1	cover
45	01288098	1	plate
46	01288170	2	screw
47	01118641	2	ring a 6x10 d7603 DIN 007603-A 6 X 10 -CU
48	01290760	1	screw
49	01118713	1	washer 18.5 DIN 007603-A 18 X 22 -CU
50	01321528	1	ring
51	01304679	6	filler
52	01308045	2	tube
53	01308185	6	tube
54	01289829	1	tube
55	01109953	1	roller bearing DIN 000720-302 03
950	01288319	0	crown wheel mm 22.70 TIP CIRCLE D. 22.70 MM S.POS. 16
951	01287998	0	washer mm 0.12 0,12 MM S. POS. 25
952	01287999	0	washer mm 0.14 0,14 MM S. POS. 25
953	01288000	0	washer mm 0.16 0,16 MM S. POS. 25
954	01288001	0	shim mm 0.18 0,18 MM

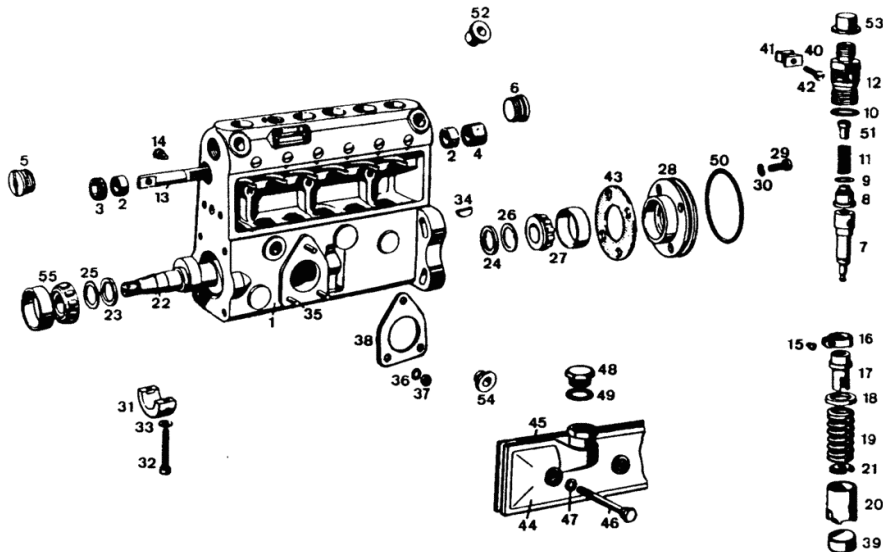
48



Einzelteile zur Einspritzpumpe  
Single parts for injection pump  
Pièces détachées de pompe d'injection  
Partes para bomba de inyección



0150-17 502 7083



Section: ENGINE  
**HIGH PRESSURE PIPE**

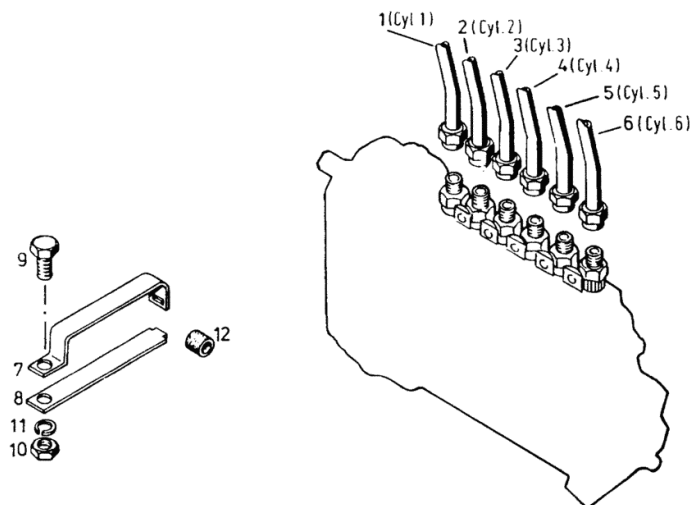
Fig.	Code	QTY	Name
1	04154354	1	tube
2	04154355	1	tube
3	04154356	1	tube
4	04154357	1	tube
5	04154358	1	tube
6	04154359	1	tube
7	01170290	1	hose clip H 003220-B 6X 6
8	01170294	1	plate H 003220-C 6X 6
9	01112240	1	screw m 6 x 12 ISO 004017-M 6 X 12 - 8.8-A4C
10	01112813	1	nut m 6 DIN 000934-M 6 - 8-A4C
11	01102797	1	washer 6, d128 DIN 000128-A 6 -FST -A4C
12	03372269	6	rubber sleeve



Einspritzleitungen  
Injection pipes  
Tuyauteries de injection  
Tuberías de inyección

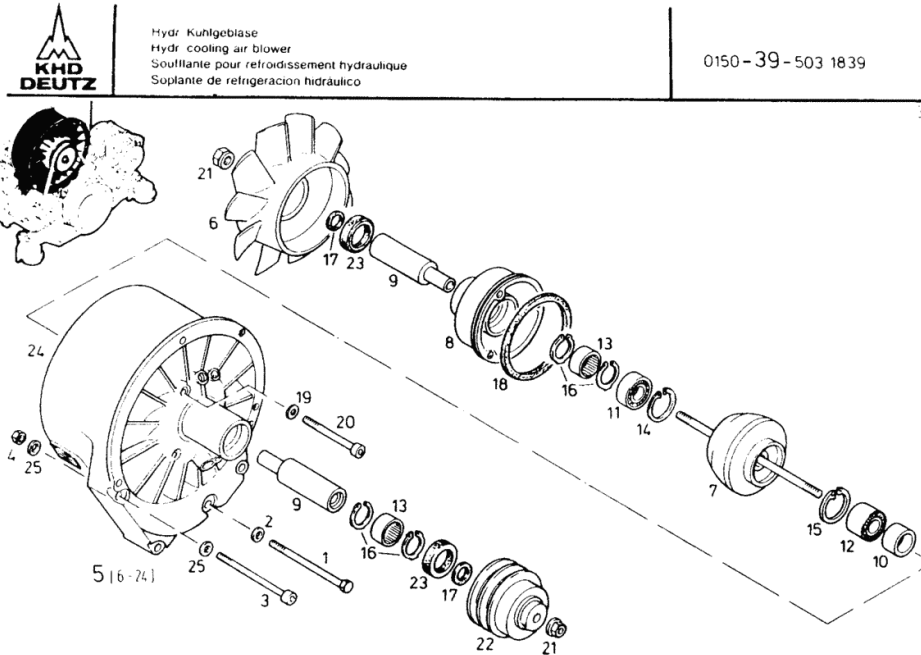



0150-21-500 3470



Section: ENGINE  
**HYDR. COOLING BLOWER**

Fig.	Code	QTY	Name
1	01111221	3	screw ISO 004014- M 8 X130 - 8.8-A4 C
2	01107101	3	washer 8.4 DIN 000125-A 8,4-140HV-A4C
3	01110641	1	screw m8x140 d912 DIN 000912- M 8 X140 - 8.8-A4 C
4	01112824	1	nut m 8, d934 ISO 004032-M 8 - 8-A4C
5	02235865	1	rotor blade
6	02235856	1	wheel
7	02235691	1	coupling
8	02235680	1	cover
9	02235681	2	shaft
10	02235682	1	spacer
11	01138388	1	ball bearing DIN 000625- 6303-SO C3
12	01173588	1	ball bearing H 004450- 3203 C3 OF SO
13	01173591	2	bearing H 004455-NL 25 X 33X16 -SO
14	01107834	1	circlip 47 x 1.75 DIN 000472- 47X1,75
15	01107827	1	circlip 40 x 1.75 DIN 000472- 40X1,75
16	01163307	4	circlip H 002272- 33X1,2
17	01173592	2	'o' ring H 002927- 11,2 X 2,5 -FPM-1-7 0
18	01164843	1	'o' ring H 002927-150 X 4 -FPM-1-70
19	01173593	3	'o' ring H 002905-U 7,1X12 X1 -W3
20	01103280	3	shim DIN 000912- M 6 X 65 -10.9-A4 C
21	01172482	2	nut H 002160-M10-11
22	02235677	1	pulley OUTSIDE DIAMETER 108.6 MM
23	02237010	2	gasket
24	02235866	1	ventilator body




 Hydr. Kühngebläse  
 Hydr. cooling air blower  
 Soufflante pour refroidissement hydraulique  
 Soplante de refrigeración hidráulico

0150-39-503 1839

Section: ENGINE  
AIR DUCT WALL

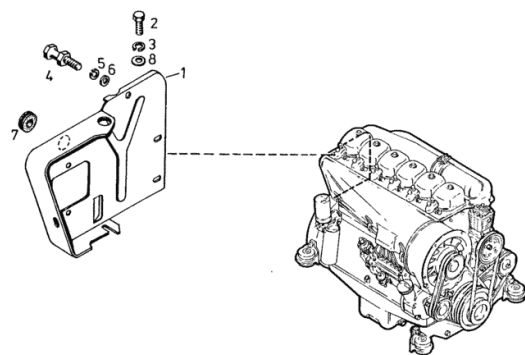
Fig.	Code	QTY	Name
1	02236397	1	division REAR
2	01112307	1	screw m 8 p.1.25 x 15, d933
3	01102799	1	ISO 004017-M 8 X 16 - 8.8-A4C washer 8, d128
4	02101801	1	DIN 000128-A 8 -FST -A4C adjustable tensioner
5	01102797	1	washer 6, d128 DIN 000128-A 6 -FST -A4C
6	01215850	1	washer
7	01167425	1	rubber bushing H 002928-D13,5 X17 X 1,5-GI D DEUTZ 1
8	01107101	1	washer 8.4 DIN 000125-A 8,4-140HV-A4C



Standblech  
Stay plate  
Tôle verticale  
Chapa vertical



0150-40-503 2419



Section: ENGINE  
ACCESSORIES

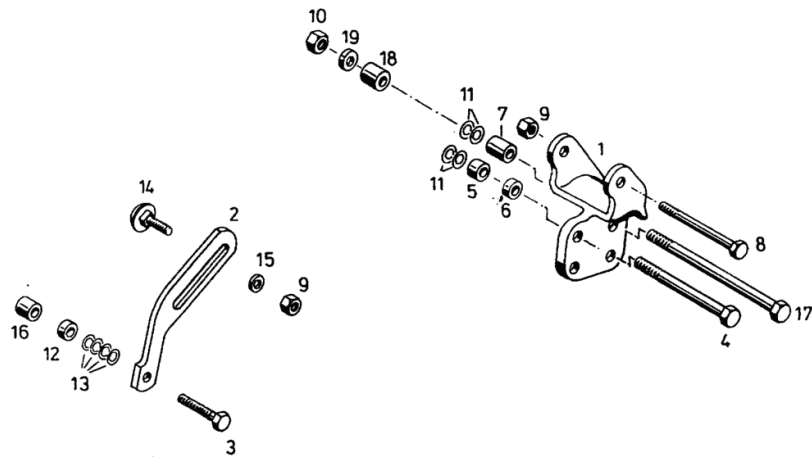
Fig.	Code	QTY	Name
1	02234778	1	filter casing
2	02243420	1	flange
3	01112356	1	screw m 8 x 40
4	01111359	1	ISO 004017-M 8 X 40 - 8.8-A4C screw DIN 000931- M10 X105 - 8.8-A- A4C
5	03304783	1	bushing
6	03363993	1	bushing
7	03362211	1	bushing
8	01111193	1	screw m 8 p.1.25 x 80 ISO 004014- M 8 X 80 - 8.8-A4 C
9	01112824	2	nut m 8, d934 ISO 004032-M 8 - 8-A4C
10	01102659	1	nut m 10, d934 DIN 000934-M10 - 8-A4C
11	01215749	8	washer
12	03360758	1	spacer
13	01215748	4	washer
14	01137624	1	screw m 8 x 25 DIN 000603-M 8 X 25 -8.8-A4C
15	01107101	1	washer 8.4 DIN 000125-A 8,4-140HV-A4C
16	03382160	1	shim
17	01111385	1	screw DIN 000931- M10 X160 - 8.8-A- A4C
18	02244112	1	bushing
19	01216110	1	washer



Anbauteile  
Attachments  
Accessoires  
Partes de adosamiento




0150-44-502 3371

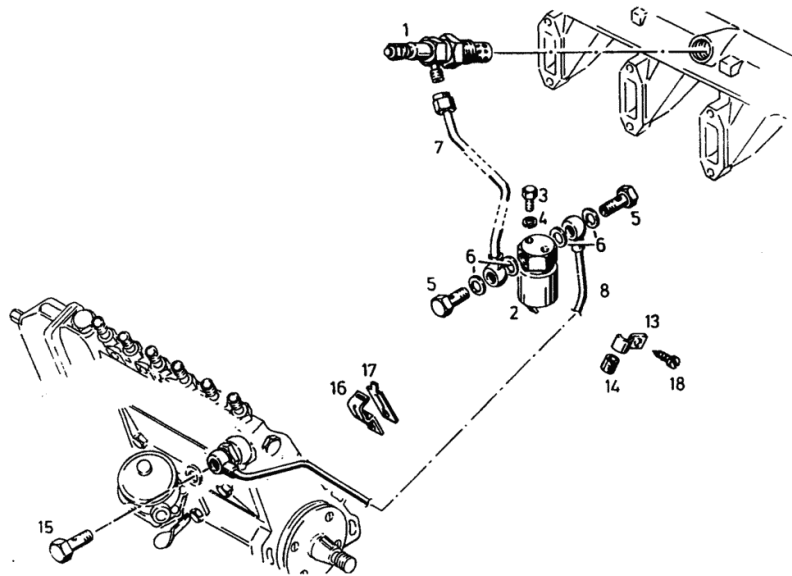


Section: ENGINE  
**FLAME GLOW PLUG**

Fig.	Code	QTY	Name
1	01161134	1	glow plug H 824608-B 12V
2	01179366	1	electro valve H 824113- G -12V- 1 ED100
3	01112232	2	screw m 6 p.1 x 10 ISO 004017-M 6 X 10 - 8.8-A4C
4	01102797	2	washer 6, d128 DIN 000128-A 6 -FST -A4C
5	01119237	2	pipe union DIN 007643 6-4-A3L
6	01118659	4	'o' ring DIN 007603-A 10 X 13,5-CU
7	02239185	1	tube V.MAGNETVENT.Z.FLAMMGLUEHK.
8	04150629	1	tube V.E.PUMPE Z.MAGNETVENTIL
13	01121253	1	clamp DIN 072571- 1X 8-ST FE/ZN12CC
14	01210090	1	rubber sleeve
15	03317932	1	screw
16	01163549	1	hose clip H 003220-B 1X 6
17	01163550	1	plate H 003220-C 1X 6
18	01127572	1	screw m 4 ISO 001481-ST 4,2X 9,5-C-A4C
950	01016120	1	compound H 000699-DEUTZ DW 47- 310 ML

0150-63-503 0795


 Flammglühkerze  
 Heater plug, flame-type  
 Allumeur-bougie  
 Bujía de incandescencia-llama





**AXLE BEARING BLOCK**

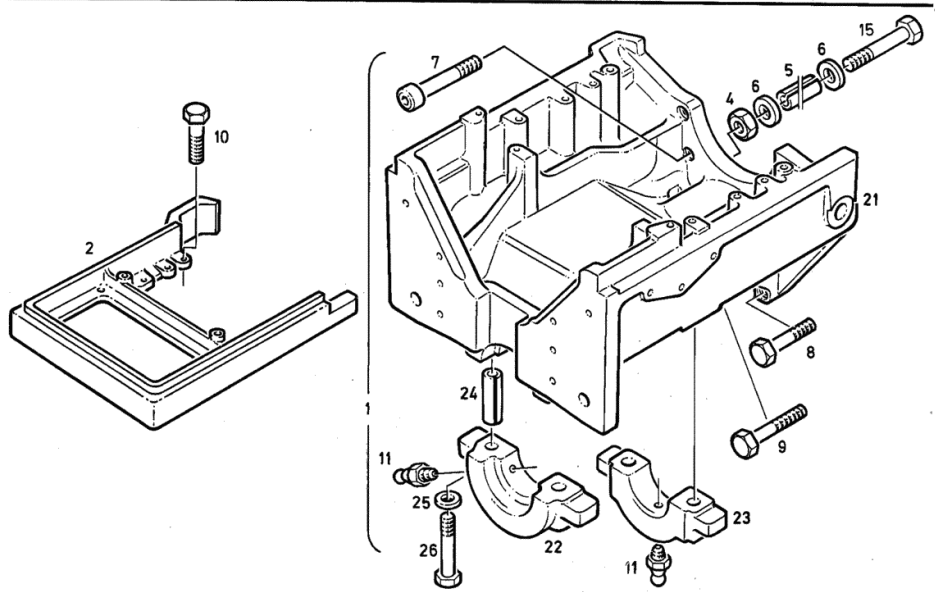
Fig.	Code	QTY	Name
1	04328471	1	axle BESTEHEND AUS POS.....
2	04328474	1	end bracket
4	01112886	2	nut m 16 ISO 004032-M16 - 8-A4C
5	01137518	2	pin ISO 008752-28 X100
6	01129824	4	washer DIN 007349-17 -ST
7	01104016	4	screw DIN 000912- M14 X120 -10.9-A4 C
8	01111888	2	screw m 16 x 70 ISO 004014- M16 X 70 - 8.8-A4 C
9	01111930	2	screw m 16 h6 x 100 ISO 004014- M16 X100 - 8.8-A4 C
10	01127849	2	screw DIN 000933-M10 X 32 - 8.8-A4C
11	01168227	2	pipe fitting H 003360-SB 8
15	01111952	2	screw ISO 004014- M16 X150 - 8.8-GE SCHW.
21	00000000	0	not serviceable
22	00000000	0	not serviceable
23	00000000	0	not serviceable
24	01137519	4	pin DIN 007346-25 X 85
25	01167055	4	washer 20.5x40 H 000995-20,5X40X 8- 8.8
26	01137517	4	screw ISO 008765- M20X1,5 X140 - 8. 8-A4C



VORDERACHSLAGERBOCK  
FRONT AXLE BRACKET  
BERCEAU TRAIN AV  
CABALLETE DE SOPORTE DEL EJE DELANT.

GETR. LENKACHSE  
DRIVEN AXLE  
ESSIEU DIRECTEUR APL 3052  
EJE MOTRIZ

1029-32 503 5666



CLICK HERE TO **DOWNLOAD** THE COMPLETE MANUAL

- Thank you very much for reading the preview of the manual.
- You can download the complete manual from: [www.heydownloads.com](http://www.heydownloads.com) by clicking the link below

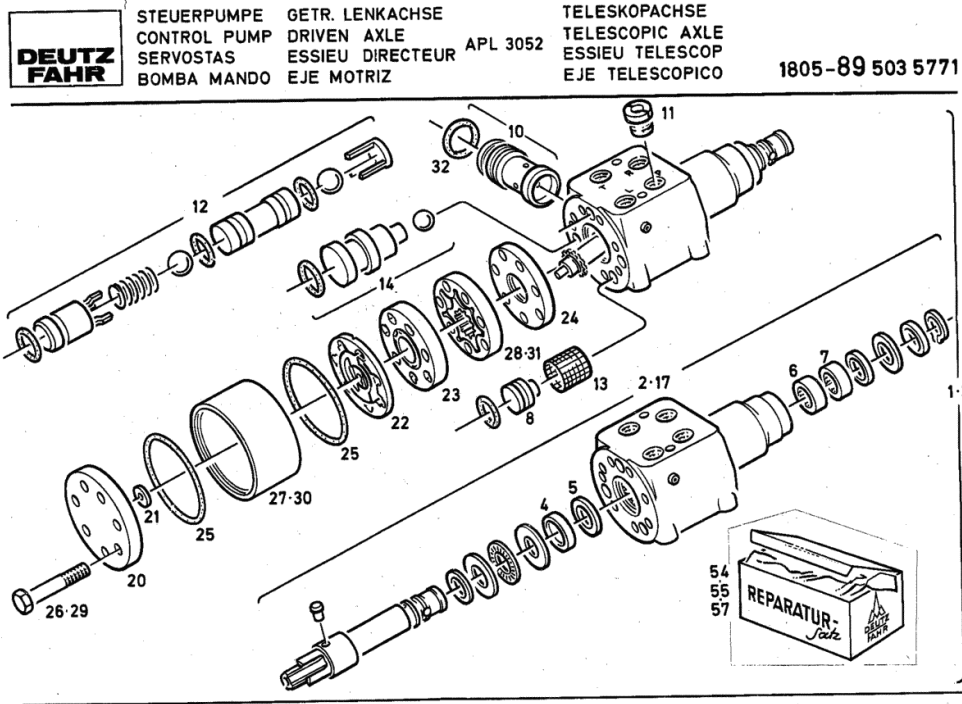


- Please note: If there is no response to CLICKING the link, please download this PDF first and then click on it.

CLICK HERE TO **DOWNLOAD** THE COMPLETE MANUAL

**CONTROL PUMP - ZF**

Fig.	Code	QTY	Name
1	04333764	1	pump
2	04336143	1	body
3	04335257	1	pump ALL-WHEEL MODEL
4	04343569	1	gasket set
5	04303004	1	spacer
6	04303005	2	bushing
7	04303006	1	'o' ring
8	04336145	1	plug
10	04322899	1	valve
11	04336146	1	valve
12	04336148	1	valve
13	04336147	1	filter
14	04336149	1	valve
17	04336566	1	pin ALL-WHEEL MODEL
20	04302085	1	cover
21	04302086	1	shim
22	04302088	1	disc
23	04302089	1	plate
24	04302100	1	washer
25	04342929	2	ring
26	04318721	7	screw
27	04318722	1	tube
28	04318723	1	rotor
29	04336563	7	screw ALL-WHEEL MODEL
30	04336564	1	tube ALL-WHEEL MODEL
31	04336565	1	rotor ALL-WHEEL MODEL
32	04345986	1	'o' ring
54	04345640	1	gasket set
55	04336151	1	parts set
57	04336562	1	parts set ALL-WHEEL MODEL



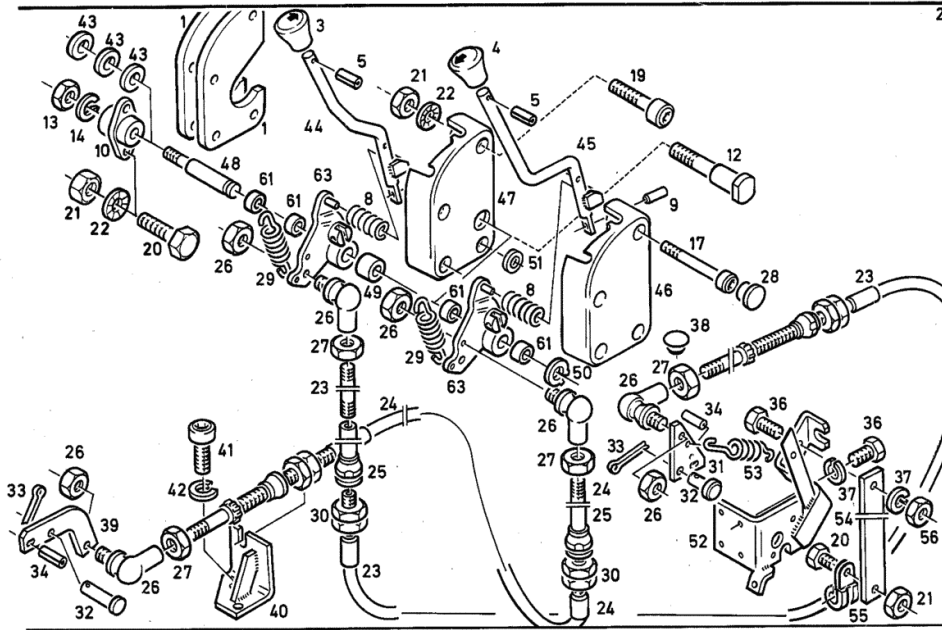
Section: GEARBOX, CLUTCH  
 P.T.O. SHAFT COUPLING

Fig.	Code	QTY	Name
1	04338093	2	cover
3	04330597	1	knob REAR
4	04330596	1	knob - FRONT
5	01136928	1	pin ISO 008742- 4 X 16-ST
8	04316160	1	spring
9	01115434	1	pin ISO 008752- 5 X 20
10	04305815	1	bearing
12	04330595	1	adjustable tensioner
13	01112858	1	nut m 12, d934 DIN 000934-M12 - 8-A4C
14	01178366	1	ring HM 060216.01-VSK12-GALVANIZED G ELB
17	01103393	4	screw DIN 000912- M 6 X 80 -10.9-A4 C
19	01110533	4	screw m 6 p.1 x 40 DIN 000912- M 6 X 40 - 8.8-A4 C
20	01103316	3	screw m 6 p.1.0 x 16 ISO 004017-M 6 X 16 - 8.8-A4C
21	01112813	7	nut m 6 DIN 000934-M 6 - 8-A4C
22	01167194	6	washer H 002203- 6
23	04332111	1	rod REAR
24	04327109	1	rod - FRONT
25	04327132	1	guide
26	01137531	2	joint as 8 DIN 071802-AS 8 -A4C
27	01112803	2	nut m 5, d934 ISO 004032-M 5 - 8-A4C
28	01163730	4	bottom H 002873-A 12,8X 11,3X 9,5-PE WEICH-SW
29	04305826	1	spring
30	01137532	2	nut DIN 000439-BM10X1 -06-A4C



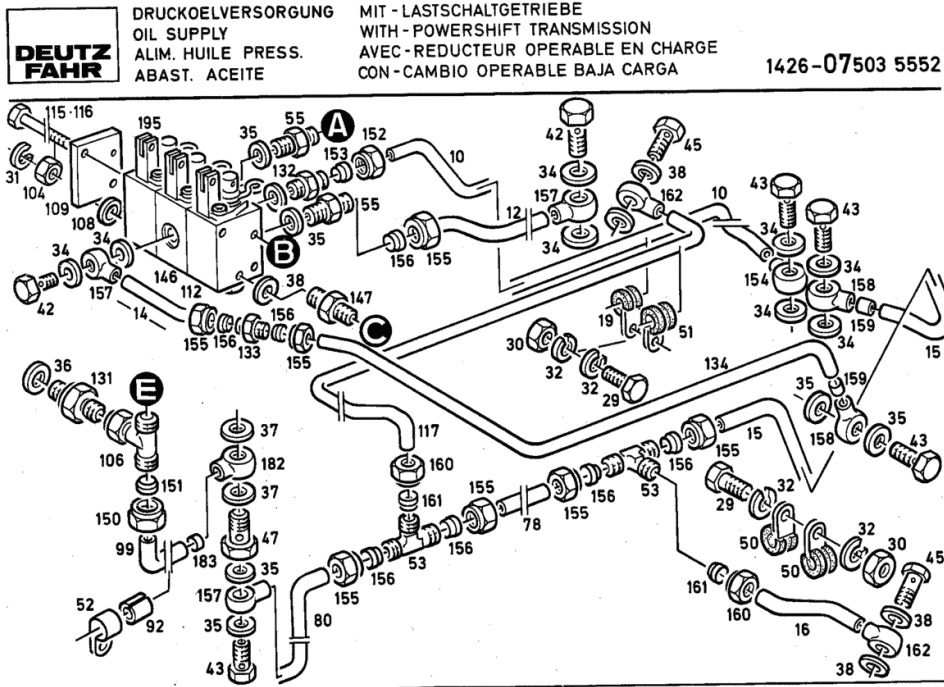
BETÄTIGUNG ZAPFWELLENKUPPLUNG FRONT -HECK  
 CONTROL ASSEMBLY PTO CLUTCH FRONT -REAR  
 CDE D'ACTIONNEM. EMBRAYAGE PDF AV -AR  
 ACCIONAMIENTO EMBRAG. TOMAFUERZA FRONTAL -ATRAS

1029-04 503 5611



Section: GEARBOX, CLUTCH  
PRESSURE-OIL SUPPLY

Fig.	Code	QTY	Name
99	04330756	1	pipng
104	01112824	2	nut m 8, d934 ISO 004032-M 8 - 8-A4C
106	01173018	1	tongue H 003131-CL15-ST
108	04310807	4	'o' ring
109	04331722	1	flange
112	00000000	0	not serviceable PART NUMBERS LISTING SHEET 1409-07 503 0475
115	01111228	2	screw ISO 004014- M 8 X145 - 8.8-A4 C
116	01111210	2	screw m 8x105 d931 ISO 004014- M 8 X105 - 8.8-A4 C
117	04332687	1	pipng
131	01116687	2	tongue DIN 003901-L 15A-M-ST-A4C
132	01143476	1	tongue DIN 003901-L 10A-M-ST-A4C
133	01127359	1	pipe fitting L8, d3902 DIN 003902-L 8-A4C
134	04344350	1	pipng
146	00000000	0	not serviceable PART NUMBERS LISTING SHEET 1024-13 503 5638
147	04336655	1	tongue
150	01116653	1	nut H 003105- CL15 -ST-A4C
151	01116626	1	ring H 003107-F L15-ST
152	01102749	1	nut H 003105- CL10 -ST-A4C
153	01116623	1	ring H 003107-F L10-ST
154	01289890	1	ring H 003101-B10-ST
155	01127346	1	nut H 003105- CL 8 -ST-A3C GEWACH ST
156	01127339	1	ring DIN 003861-L 8-ST-A4C
157	01140355	1	ring



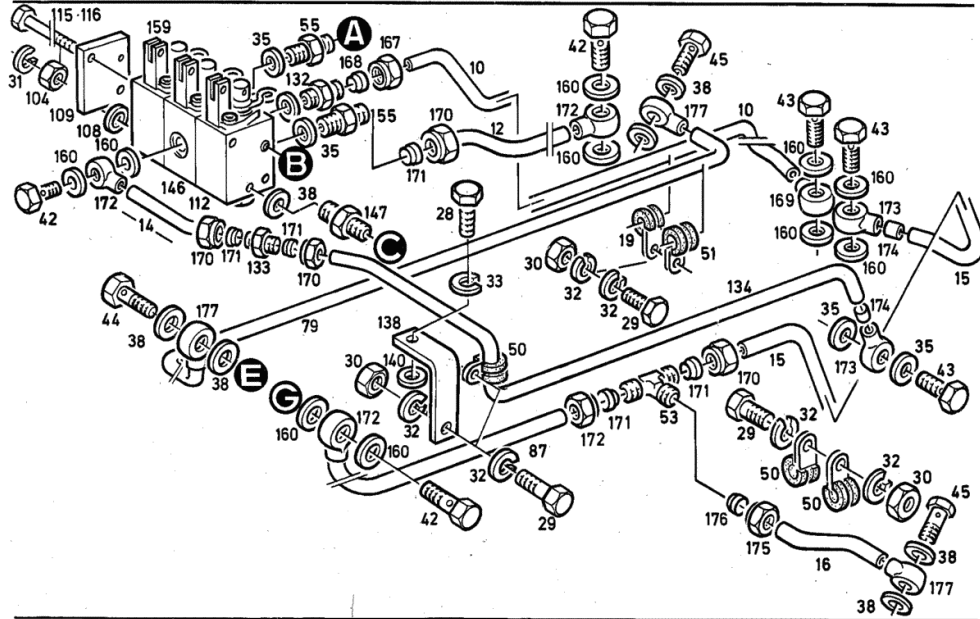
Section: GEARBOX, CLUTCH  
**PRESSURE-OIL SUPPLY**

Fig.	Code	QTY	Name
176	01179285	1	ACHST ring H 003107-F S 6-ST
177	01140354	1	ring H 003101-B 6-ST



DRUCKOELVERSORGUNG OHNE LASTSCHALTGETRIEBE  
 OIL SUPPLY WITHOUT POWERSHIFT TRANSMISSION  
 ALIM. HUILE PRESS. SANS REDUCTEUR OPERABLE EN CHARGE  
 ABAST. ACEITE SIN CAMBIO OPERABLE CARGA

1426-07 5035805



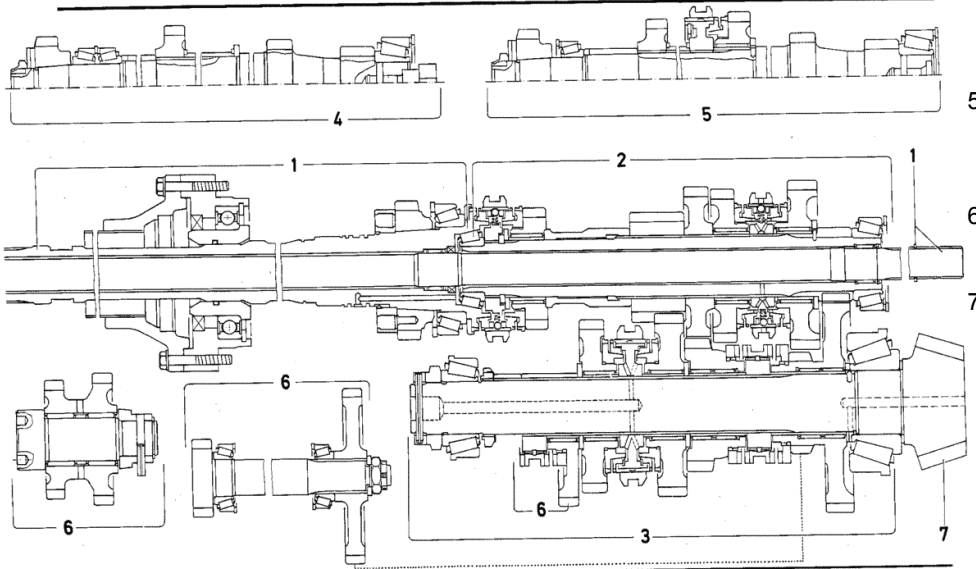
Section: GEARBOX, CLUTCH  
**GEAR CHANGE BOX**

Fig.	Code	QTY	Name
1	00000000	0	not serviceable PART NUMBERS LISTING SHEET 1446-11 503 5587
2	00000000	0	not serviceable PART NUMBERS LISTING SHEET 1446-11 503 5589
3	00000000	0	not serviceable PART NUMBERS LISTING SHEET 1446-11 503 5591
4	00000000	0	not serviceable GEAR B313,TEILENUMMERN-LISTENBLATT 1446-11 503 5649
5	00000000	0	not serviceable GEAR B313,TEILENUMMERN-LISTENBLATT 1446-11 503 5650
6	00000000	0	not serviceable PART NUMBERS LISTING SHEET 1446-11 503 5651
7	00000000	0	not serviceable PART NUMBERS LISTING SHEET 1426-23 503 5603

**DEUTZ  
FAHR**

 WECHSELGETRIEBE  
 TRANSMISSION  
 BOITE DE VITESSES  
 CAJA CAMBIO

1426-11 503 5585



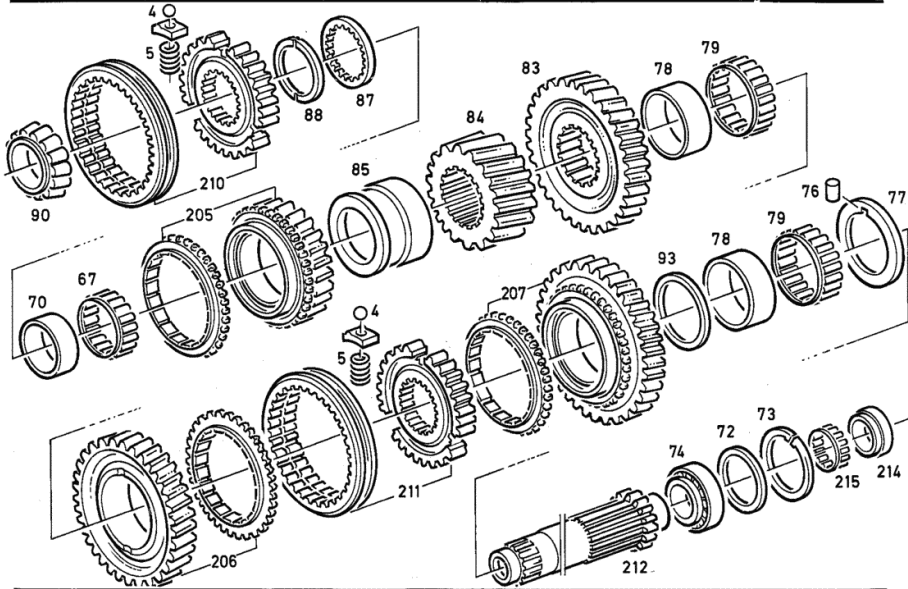
Section: GEARBOX, CLUTCH  
**INTERMEDIATE SHAFT**

Fig.	Code	QTY	Name
973	04302049	0	A=4,1 MM shim
974	04302050	0	A=4,2 MM shim
975	04321553	0	A=4,3 MM shim
976	04321554	0	A=3,6 MM shim A=3,7 MM

**DEUTZ  
FAHR**

 VORGELEGEWELLE LASTSCHALTGETRIEBE  
 LAYSHAFT POWER SHIFT TRANSMISSION  
 ARBRE DE RENVOI REDUCTEUR OPERABLE EN CHARGE  
 EJE TRANSMISION CAMBIO OPERABLE BAJA CARGA

1426 - 11 503 5590



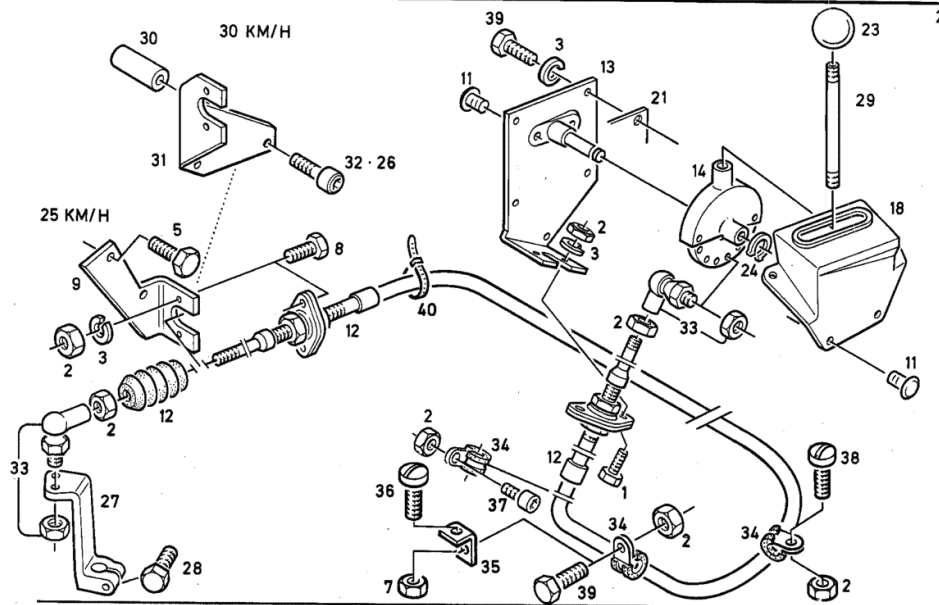
Section: GEARBOX, CLUTCH  
GEAR SHIFTING

Fig.	Code	QTY	Name
1	01103316	2	screw m 6 p.1.0 x 16 ISO 004017-M 6 X 16 - 8.8-A4C
2	01112813	8	nut m 6 DIN 000934-M 6 - 8-A4C
3	01102797	9	washer 6, d128 DIN 000128-A 6 -FST -A4C
5	01112439	2	screw m 10 x 35, d933 DIN 000933-M10 X 35 - 8.8-A4C
8	01112264	2	screw m 6 x 20, d933 ISO 004017-M 6 X 20 - 8.8-A4C
9	04330329	1	console 25 Km/h
11	04307610	6	plug
12	04330312	1	rod
13	04330319	1	cover
14	04330317	1	lever
18	04330313	1	controle panel
21	01393351	0	gasket H 843180-01- 5X 10 -EP 300 MM
23	04330314	1	knob
24	01107719	1	circlip DIN 000471- 12X1
26	01110614	2	screw m8x70 d912 DIN 000912- M 8 X 70 - 8.8-A4 C
27	04330814	1	lever
28	01143550	1	screw DIN 000933-M 6 X 28 Z1-ST- 8. 8-A4C
29	04334447	1	tube
30	04334366	2	spacer
31	04334367	1	console 30 KM/H
32	01103785	2	screw DIN 000912- M 8 X110 - 8.8-A4 C
33	01120947	2	joint DIN 071802-AS10 -A4C
34	01213265	3	clamp H 003223-B12X15-W1/CR70-10
35	04314052	1	square
36	01171798	1	screw H 002093- 7985-M 8X 30 -4.8 -



SCHALTUNG FÜR ZWISCHENGETRIEBE  
SWITCHGEAR FOR INTERMEDIATE GEAR  
DISPOS COMMANDE POUR REDUCTEUR  
CONEXION PARA ENGRANAJE INTERMED

1029-12 503 5633



## Section: GEARBOX, CLUTCH

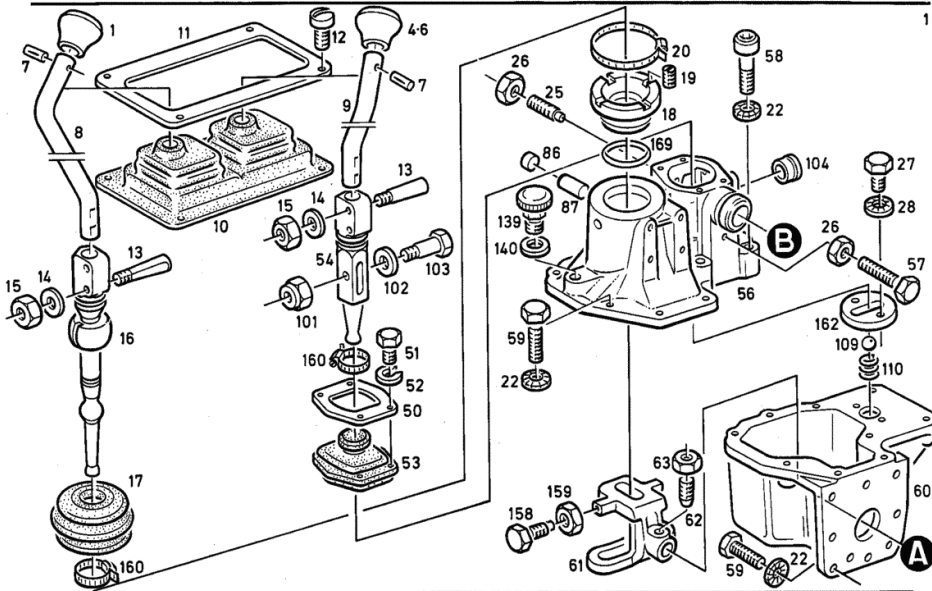
**GEAR SHIFTING**

Fig.	Code	QTY	Name
1	04308601	1	lever
4	04341822	1	knob
6	04332257	1	knob
			ONLY FOR LASTSCHALTBARE AUSFUEHRUNG AUSFUEHRUNG
7	01136968	2	pin ISO 008742- 6 X 24-ST
8	04332281	1	tube GEAR
9	04332317	1	pipng GROUP
10	04332293	1	gasket
11	04332321	1	lamination
12	01172948	4	screw H 002093- 7985-M 6X 12 -4.8 - H
13	04313649	4	screw
14	01107095	4	washer 6.4 DIN 000125-A 6,4-140HV-A4C
15	01112813	4	nut m 6 DIN 000934-M 6 - 8-A4C
16	04336650	1	support GEAR
17	04391104	1	bellows
18	04365204	1	screw
19	01110902	2	pin DIN 000913-M 6 X 12-10.9
20	01138380	1	hose clip Ø 80/100 DIN 003017AL 80-100 -W1
22	01107283	21	washer 8.2 DIN 000137-B 8-FST-A4C B8 DIN 137 A4C
25	01107456	1	pin DIN 000417-M 8 X 30-14H
26	01112824	2	nut m 8, d934 ISO 004032-M 8 - 8-A4C
27	01112418	7	screw m 10 x 25, d933 DIN 000933-M10 X 25 - 8.8-A4C
28	01107286	7	washer b10 d137 DIN 000137-B10-FST-A4C
50	04401826	1	lamination
51	01124824	4	nut m6x16 d933-10 ISO 004017-M 6 X 16 - 10.9-A4

**DEUTZ  
FAHR**

GETRIEBESCHALTUNG  
GEARSHIFT ASSY  
CHANGEM BOITE VIT  
MANDO TRANSMISION

4 GANG MIT KRIECHGANGGRUPPE  
4 SPEED WITH CREEP GEAR  
4 RAPPORTS AVEC RAPPORTS ULTRA LENT  
4 MARCHA CON GRUPO DE MARCHAS ULTRA LENT. 1426-12 503 5818



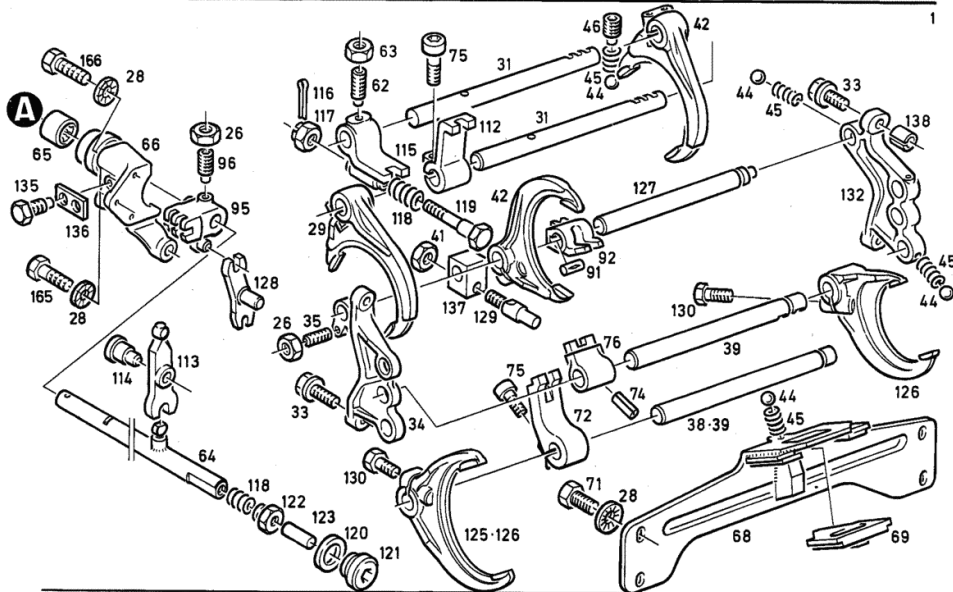
**GEAR SHIFTING**

Fig.	Code	QTY	Name
26	01112824	4	nut m 8, d934
28	01107286	13	ISO 004032-M 8 - 8-A4C washer b10 d137 DIN 000137-B10-FST-A4C
29	04339136	1	fork
31	04371804	2	rod GEAR
33	01171278	4	screw H 002009-AM10X 40-12.9
34	04359238	1	guide - FRONT
35	01100645	1	pin DIN 000915-M 8 X 40-45H
38	04335457	1	lever R-Z,SYNCHRON
39	04332249	1	rod CLAW GEARSHIFT R-Z;S-L
41	01102659	2	nut m 10, d934 DIN 000934-M10 - 8-A4C
42	04345025	1	fork GEAR
44	01116956	4	ball DIN 005401- 8 MM-III
45	03386770	4	spring
46	01110920	2	pin DIN 000913-M10 X 20-10.9
62	02383430	1	screw
63	01151578	1	nut DIN 000936-M12 -04
64	04331745	1	shaft
65	02337994	1	sleeve
66	04332151	1	bearing
68	04332231	1	throttle slide
69	04332214	1	latch
71	01163285	2	screw H 002009-AM10X 16-12.9
72	04332227	1	controle panel GROUP
74	01115471	1	pin ISO 008752- 8 X 36
75	01173101	2	screw H 002091- 912-M 8 X 30- 10.9-

**DEUTZ  
FAHR**

GETRIEBESCHALTUNG  
GEARSHIFT ASSY  
CHANGEM BOITE VIT  
MANDO TRANSMISION

5 GANG OHNE KRIECHGANGGRUPPE  
5 SPEED WITHOUT CREEP GEAR  
5 RAPPORTS SANS RAPPORT ULTRA LENT  
5 MARCHA SIN GRUPO DE MARCHAS ULTRALENT. 1426-12 503 5822



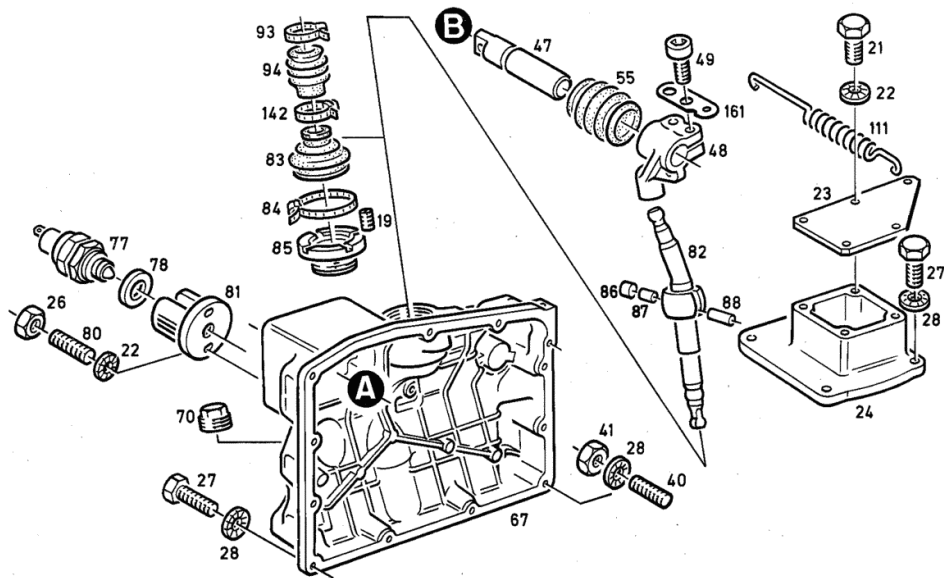
**GEAR SHIFTING**

Fig.	Code	QTY	Name
19	01110902	2	pin DIN 000913-M 6 X 12-10.9
21	01112299	4	screw m 8 x 12, d933 ISO 004017-M 8 X 12 - 8.8-A4C
22	01107283	21	washer 8.2 DIN 000137-B 8-FST-A4C
23	04332276	1	cover
24	04331536	1	power control
26	01112824	2	nut m 8, d934 ISO 004032-M 8 - 8-A4C
27	01112418	7	screw m 10 x 25, d933 DIN 000933-M10 X 25 - 8.8-A4C
28	01107286	7	washer b10 d137 DIN 000137-B10-FST-A4C
40	01137327	2	screw DIN 000939-M10 X105 -10.9-A4C
41	01102659	2	nut m 10, d934 DIN 000934-M10 - 8-A4C
47	04388323	1	rod GROUP
48	04331547	1	gear lever
49	01103781	2	screw DIN 000912- M 8 X 35 -10.9-A4 C
55	04391106	1	bellows
67	04355424	1	cover
70	01136685	1	screw DIN 000909-M30X1,5-ST-A4C
77	01262510	1	switch
78	02388144	1	shim A=1,5 MM.
80	01110168	2	screw DIN 000835-M 8 SN4X 16 - 8.8- A4C
81	02389955	1	flange
82	04332302	1	gear lever
83	04332309	1	bellows
84	01137414	1	hose clip DIN 003017AL 50- 70 -W1
85	04365237	1	screw
86	01107611	1	cover DIN 000443- 10
87	04303300	1	cylindrical plug
88	04332253	1	cylindrical plug



GETRIEBESCHALTUNG  
GEARSHIFT ASSY.  
CHANGEM BOITE VIT  
MANDO TRANSMISION

5 GANG MIT KRIECHGANGGRUPPE  
5 SPEED WITH GEAR  
5 RAPPORTS AVEC RAPPORT ULTRA LENT  
5 MARCHA CON GRUPO DE MARCHAS ULTRALENT. 1426-12 503 5826



## P.T.O. FRONT

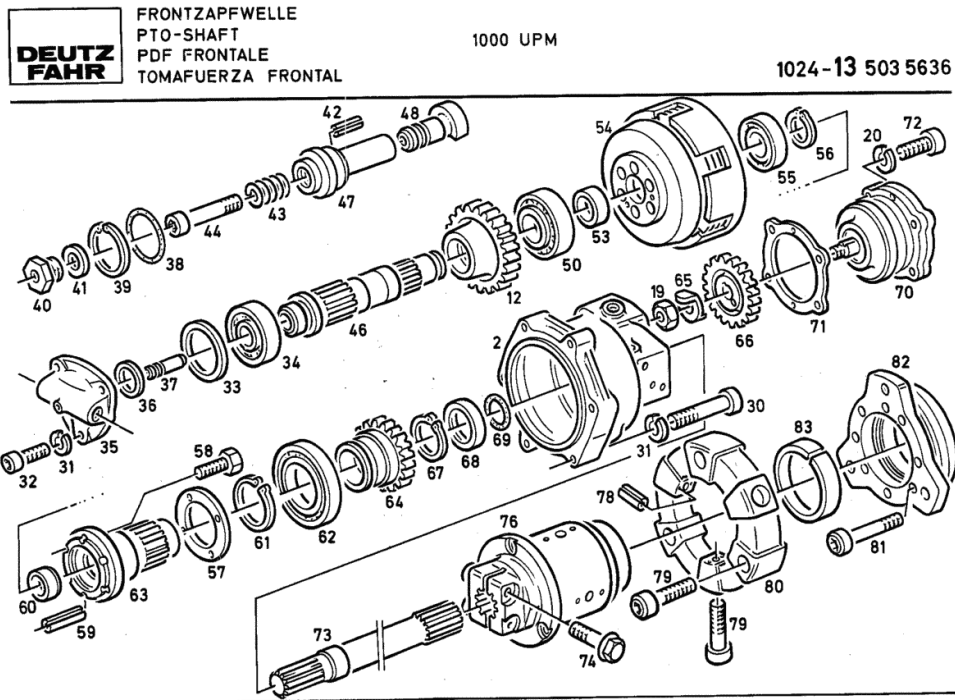


Fig.	Code	QTY	Name
			PART NUMBERS LISTING SHEET 1405-77 503 5615
55	01109177	1	ball bearing DIN 000625-16006
56	01107742	1	circlip 30x1.5 DIN 000471- 30X1,5
57	04311346	1	washer
58	01172767	4	screw H 002009-AM 8X 30-12.9
59	01115465	2	pin ISO 008752- 8 X 20
60	01165833	1	stop H 000711-B32
61	01107770	1	ring 55 x 2.0 DIN 000471- 55X2
62	01109184	1	ball bearing DIN 000625-16011
63	04304715	1	flange
64	04342714	1	gear Z=28
65	01166297	1	washer H 000729-13
66	04342715	1	gear Z=27
67	01107760	1	circlip 45x1.75 DIN 000471- 45X1,75
68	01173553	1	'o' ring H 002940-AS 40X 55 X10 -NI
69	01161368	1	'o' ring H 002927- 30 X 3 -NBR-1-70
70	04332224	1	oil pump
71	01164580	1	'o' ring H 002927- 71 X 2 -NBR-1-60
72	01123700	4	screw m 8x35 d912 DIN 000912- M 8 X 35 - 8.8-A4 C
73	04331799	1	transmission shaft
74	01171278	2	screw H 002009-AM10X 40-12.9
76	04331796	1	flange
78	01133876	6	pin DIN 001481- 5 X 10-A4C
79	01110851	6	screw DIN 000912- M16 X 50 - 8.8-A4

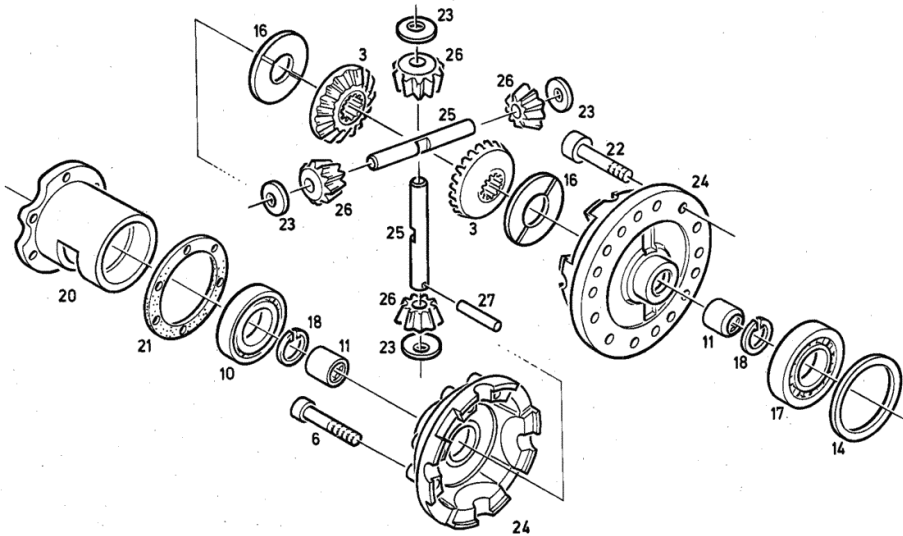
**DIFFERENTIAL**

Fig.	Code	QTY	Name
980	04330906	0	A=3,2 MM shim
981	04330907	0	A=3,3 MM shim
982	04330908	0	A=3,4 MM shim
983	04330909	0	A=3,5 MM shim
984	04330910	0	A=3,6 MM shim
985	04330911	0	A=3,7 MM shim A=3,8 MM



AUSGLEICHGETRIEBE  
DIFF GEAR  
DIFFERENTIEL  
DIFERENCIAL

1405-24 503 5607



## Section: GEARBOX, CLUTCH

## REAR AXLE

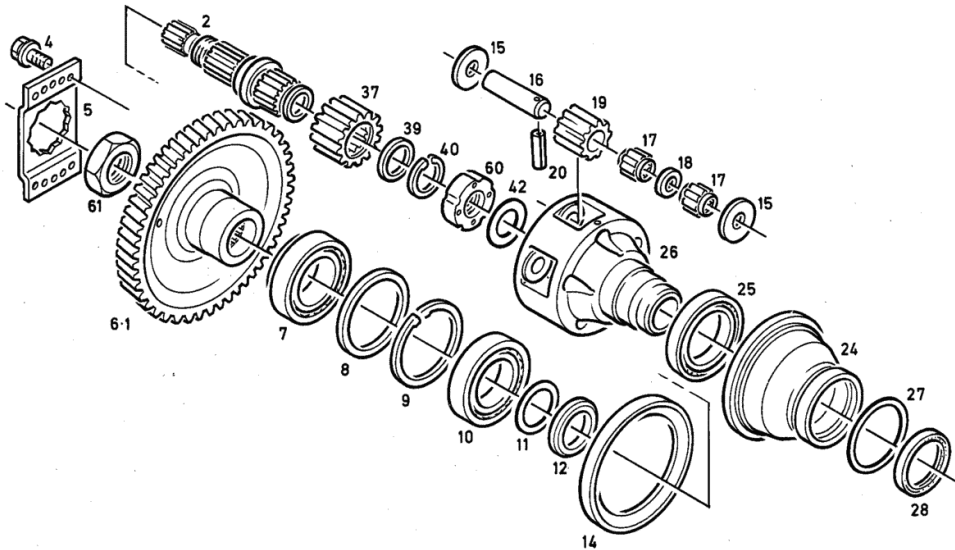
Fig.	Code	QTY	Name
1	04380547	1	gear LEFT Z=68
2	04319216	2	half-shaft
4	01164059	4	screw H 002009-BM10X 20-100
5	04345689	2	lamination
6	04380546	1	gear RIGHTS Z=68
7	01102509	2	roller bearing DIN 000720-320 20-X
8	04307195	2	ring
9	01107870	2	circlip DIN 000472-150X4
10	01109007	2	ball bearing DIN 000625- 6020
11	04326169	0	shim OPTION ITEM... A=1,1 MM.
12	04321629	2	ring
14	04350045	2	ring
15	04330869	20	washer
16	04319219	10	piston pin
17	04330885	20	bearing
18	04322331	10	spacer
19	04380161	10	planet gear Z=14
20	01115454	10	pin 6 x 28 ISO 008752- 6 X 28
24	04357805	2	bushing
25	04326165	2	roller bearing
26	04357825	2	spider
27	01172585	2	ring H 002927-115 X 3 -NBR-1-60
28	01172424	2	'o' ring H 002940-RL100X120 X12 -NI
37	04380160	2	gear Z=21
39	04326605	2	ring
40	01107772	2	circlip DIN 000471- 58X2
42	04326180	0	shim OPTION ITEM...



HINTERACHSE  
REAR AXLE  
ESSIEU ARRIERE  
EJE TRASERO

PLANETENGETRIEBE  
PLANETARY DRIVE  
ENGRENAGE PLANET  
ENGRAN. PLANETARIO

1426-27503 5696



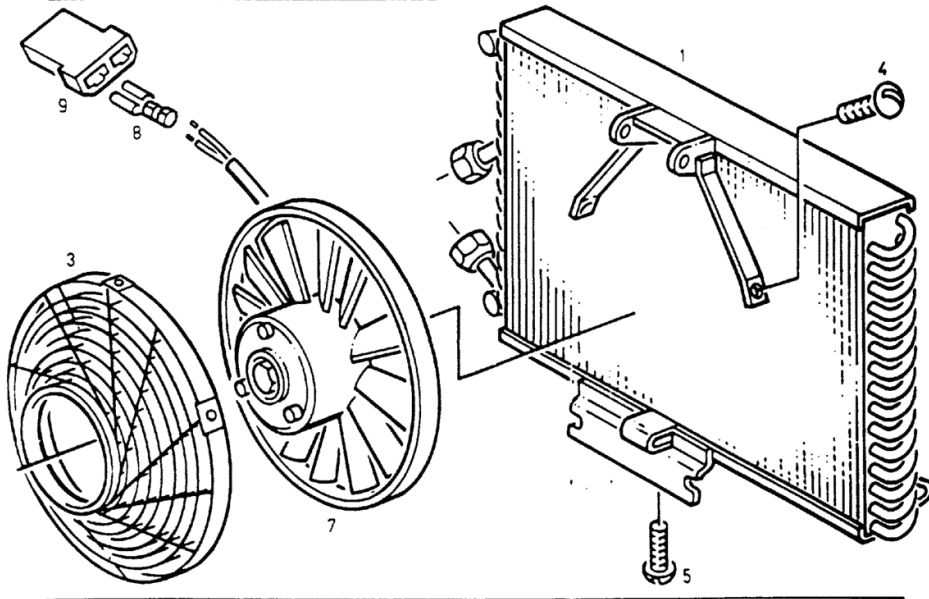
**CONDENSER**

Fig.	Code	QTY	Name
1	04321436	1	condenser COMPLETE B285,SIEHE POS.950
3	04322162	1	grille
4	01124514	2	screw m 5 x 12 ISO 007045-M 5X 12 - 4.8-H -A 4C
5	01124044	1	screw m 5 p.0.8 x 25 ISO 007045-M 5X 25 - 4.8-H -A 4C
7	04322172	1	rotor blade
8	01161164	2	sleeve DIN 046340-B6,3-2,5-BZ
9	01162367	1	socket H 007642- H 2-BLACK

KONDENSATOR  
CONDENSATOR  
CONDENSATEUR  
CONDENSADOR



1024-85 502 7730



**AUXILIARY HEATING**

**DEUTZ  
FAHR** ZUSATZHEIZUNG VORN  
AUX. HEATING FRONT  
CHAUFFAGE SUPPL. AVANT  
CALEFACC. ADICIONAL DELANTE

1024-85 503 5786

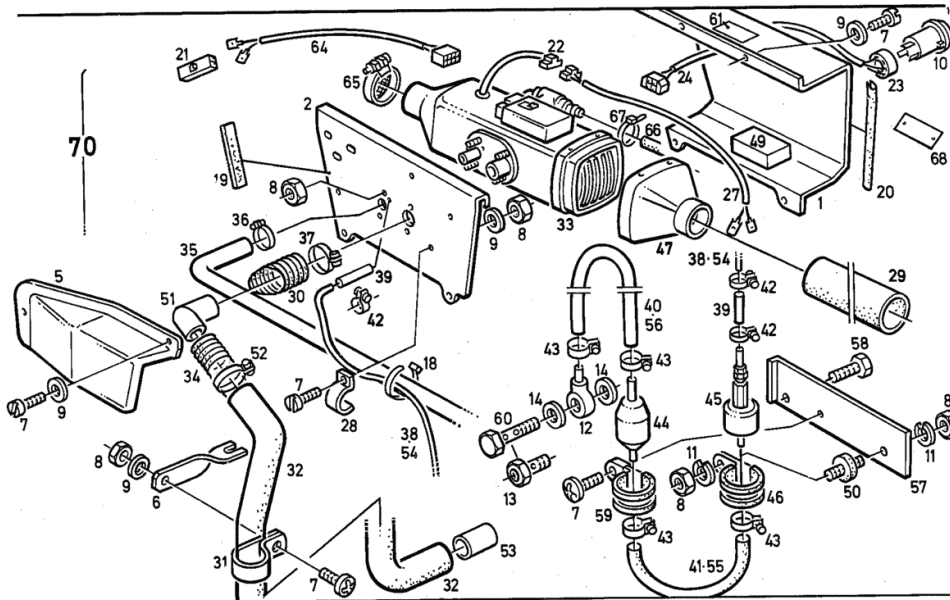


Fig.	Code	QTY	Name
1	04332565	1	cover
2	04332567	1	shim
5	04333161	1	cover
6	04333169	1	console
7	01119635	6	screw ISO 007045-M 6X 16 - 4.8-H -A 4C
8	01112813	8	nut m 6 DIN 000934-M 6 - 8-A4C
9	01107095	6	washer 6.4 DIN 000125-A 6,4-140HV-A4C
10	01177151	1	switch
11	01102797	2	washer 6, d128 DIN 000128-A 6 -FST -A4C
12	04358461	1	ring
13	01137313	1	pipe union DIN 007624-13-A4C
14	01118713	2	washer 18.5 DIN 007603-A 18 X 22 -CU
18	01172065	5	clamp 4.6 x 146 H 007672-G 146X 4,6
19	01393351	0	gasket H 843180-01- 5X 10 -EP 100,0MM
20	01395029	0	gasket H 846471-06-PN 1 160,0 MM
21	01169436	2	connection H 007677-F 6,3-1X48
22	01163204	1	box H 007642- H 4-BLACK
23	01238024	1	socket H 007642-NH6,3-4
24	04332583	1	cable
27	04332617	1	cable
28	01121266	1	clamp DIN 072571- 1X20-ST FE/ZN12CC
29	04332569	1	flexible hose
30	04333168	1	tube
31	04333170	1	hose clip
32	04333171	1	tube
33	04327601	1	none
34	04332570	1	exhaust 1000,0 MM

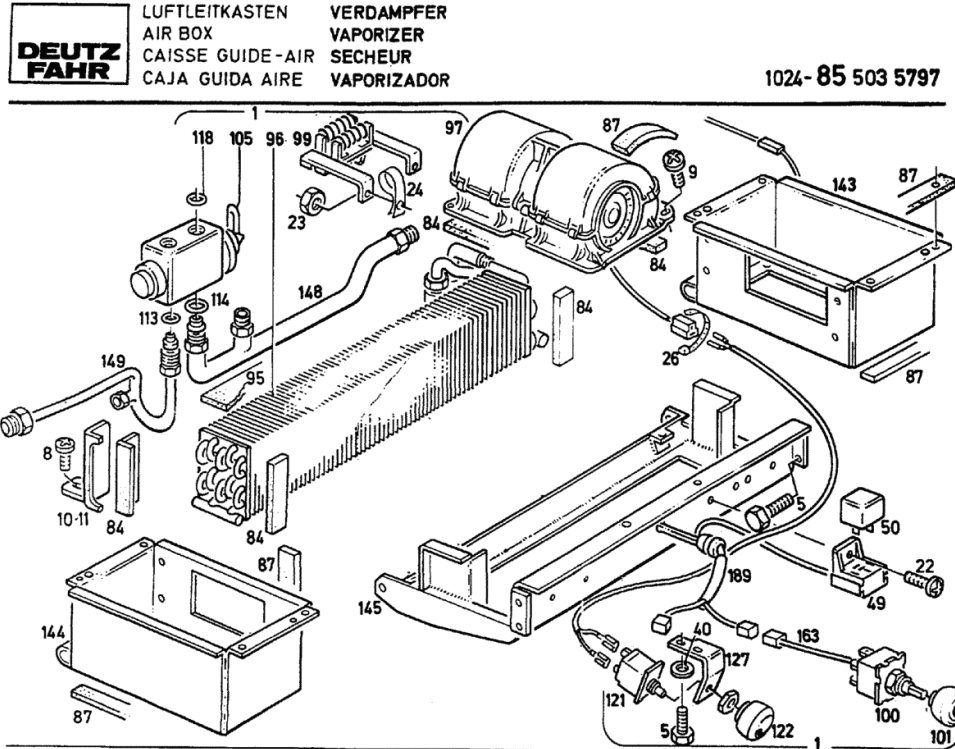
**CLIMATE CONTROL SYSTEM**

Fig.	Code	QTY	Name
1	04322156	1	air condition.system
5	01112299	22	screw m 8 x 12, d933
8	01136313	7	ISO 004017-M 8 X 12 - 8.8-A4C screw ISO 007045-M 8X 10 - 4.8-H -A 4C
9	01104643	10	screw ISO 007045-M 8X 16 - 4.8-H -A 4C
10	04321384	1	support RIGHTS
11	04321385	1	support LEFT
22	01119628	5	screw ISO 007045-M 4X 10 - 4.8-H -A 4C
23	01112796	5	stop m4 d934 ISO 004032-M 4 - 8-A4C
24	01171694	2	clamp 172X4.6 H 007672-J 5,1-172X 4,6
26	01172065	4	clamp 4.6 x 146 H 007672-G 146X 4,6
40	01107548	6	washer 8.4 DIN 000433- 8,4-140HV-A4C
49	01164650	1	base H 007642- L 1
50	01172943	2	relay H 007606- KS12VF OB
84	01388719	0	gasket H 842081-A20X 20 -PUR-1-GR GI T 150,850,130,80,1050 MM
87	01393156	0	gasket H 842081-A 5X 15 -PUR-1-GR-GI T 1000,2830,1080,100,85 MM
95	01401399	1	lining H 843180-02-15X 80X 630
96	04322161	1	radiator
97	04322159	2	rotor blade
99	04322171	2	resistance
100	04322169	1	switch
101	04322170	1	button
105	04322165	1	valve

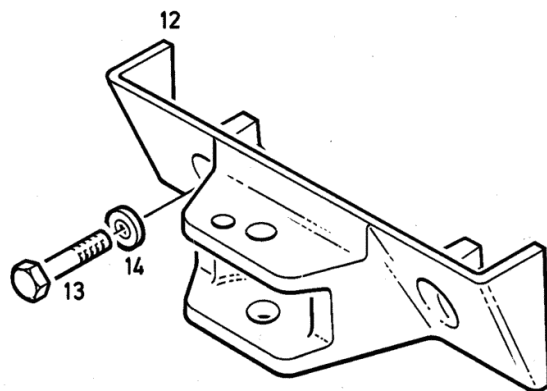
Section: HITCH  
**CATCHING MOUTH**

Fig.	Code	QTY	Name
12	04330304	1	tow hook
13	06209288	2	screw m 16 x 55 ISO 004017-M16 X 55 - 8.8-A4C
14	04331631	2	washer



FANGMAUL      GETR. LENKACHSE  
CLEVIS        DRIVEN AXLE  
BOUCHE D'ARRET    ESSIEU DIRECTEUR APL 3052  
BOCA ENCASTRE    EJE MOTRIZ

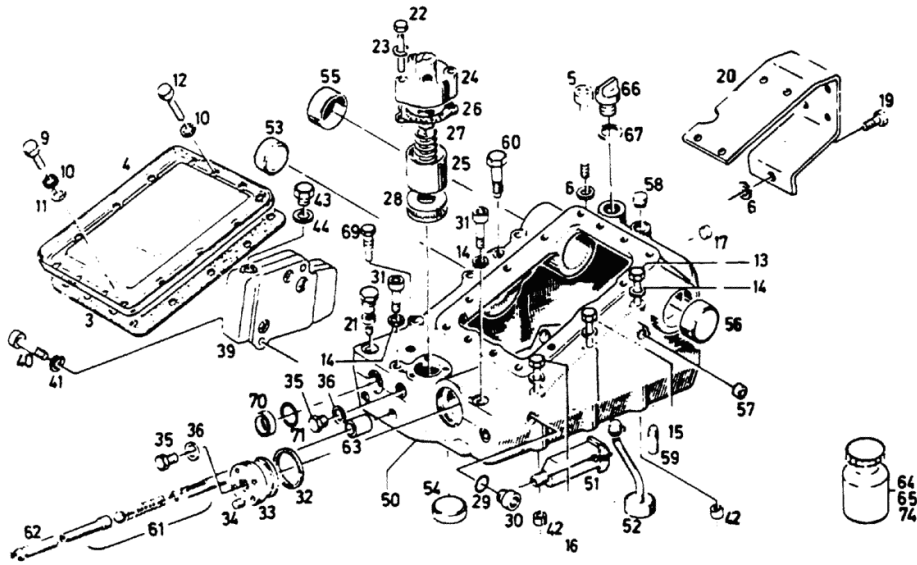
1029-32 503 5667



**OIL TANK****DEUTZ  
FAHR**OELBEHAELTER  
OIL RESERVOIR  
RESERVOIR D' HUILE  
TANQUE ACEITEBOSCH-STEUERGERÄT  
BOSCH-CONTROL UNIT  
BOSCH-DISTRIBUTEUR  
BOSCH-APARATO MANDO

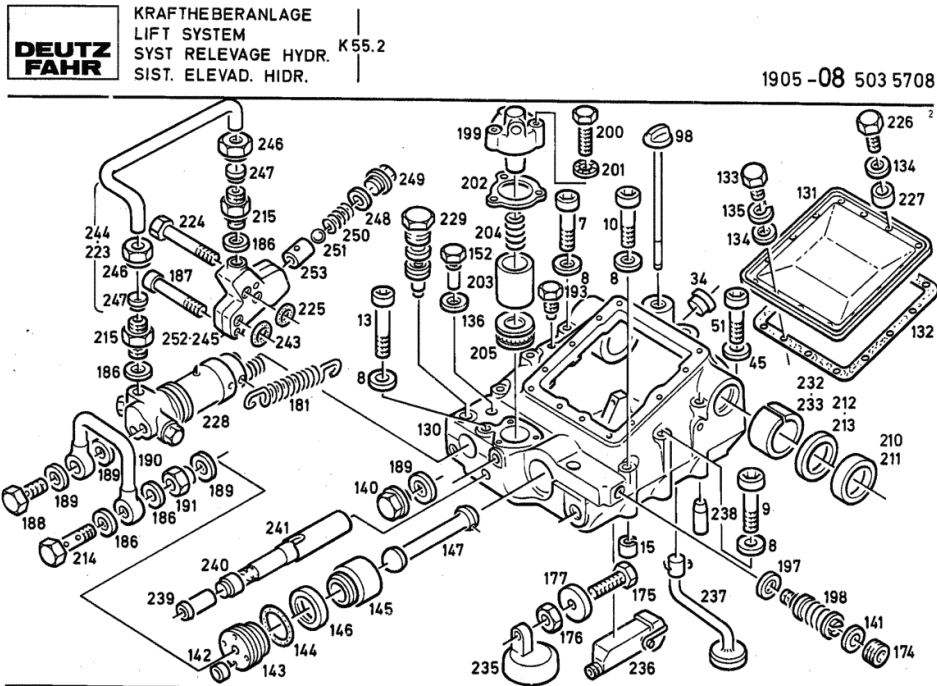
1905-04 503 0389

Fig.	Code	QTY	Name
3	03401287	1	gasket
4	03401288	1	cover
5	01144752	2	screw DIN 000912- M16 X120 -10.9-OE LGESCHW
6	01167052	2	washer H 000995-16,5X31X 7- 8.8
9	01112299	12	screw m 8 x 12, d933 ISO 004017-M 8 X 12 - 8.8-A4C
10	01169689	14	washer H 002203- 8
11	01107548	12	washer 8.4 DIN 000433- 8,4-140HV-A4C
12	01112333	2	screw m 8 x 25, d933 ISO 004017-M 8 X 25 - 8.8-A4C
13	01136692	2	screw DIN 000912- M14 X235 -10.9-A4 C
14	01169672	8	washer H 000995-14,5X28X 6- 8.8
15	01136931	2	screw DIN 000931- M14 X185 - 10.9-A -A4C
16	01122412	2	screw DIN 000931- M14 X150 - 10.9-A -A4C
17	01163730	2	bottom H 002873-A 12,8X 11,3X 9,5-PE WEICH-SW
19	01112670	1	screw m16x30 d933 ISO 004017-M16 X 30 - 8.8-A4C
20	04341347	1	console
21	04333876	1	valve
22	01112287	3	screw m 6 x 60, d933 ISO 004017-M 6 X 60 - 8.8-A4C
23	01126726	3	spring disc b6 d137 DIN 000137-B 6-FST-A4C
24	04303144	1	cover
25	04301373	1	cup
26	04347447	1	gasket
27	04303237	1	spring
28	04303198	1	filter
29	01118760	1	gasket 26x31 DIN 007603-A 26 X 31 -CU



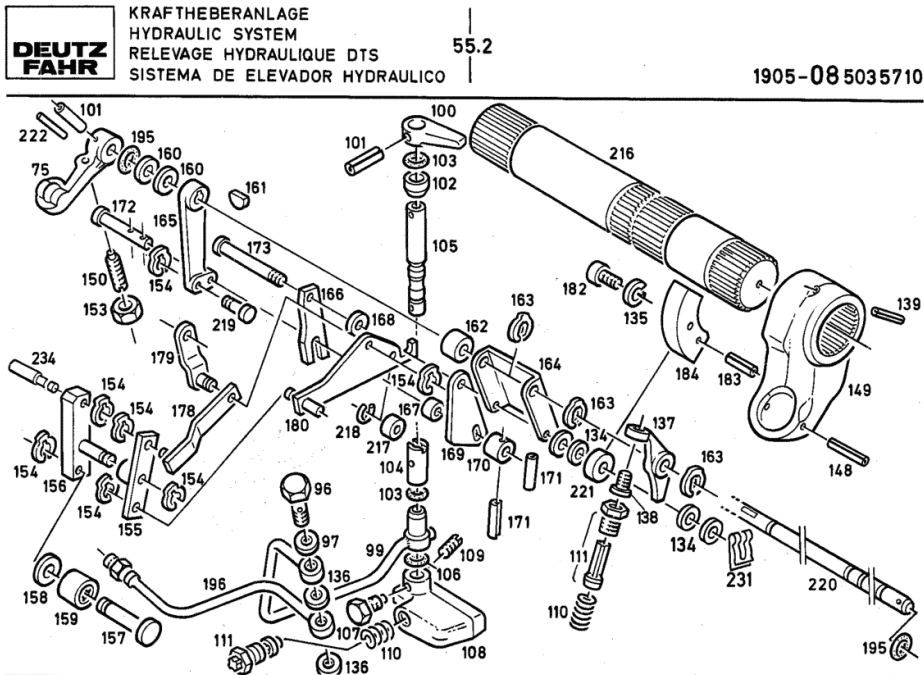
Section: HYDRAULIC SYSTEM  
POWER LIFT

Fig.	Code	QTY	Name
7	01136692	2	screw DIN 000912- M14 X235 -10.9-A4 C
8	01169672	8	washer H 000995-14,5X28X 6- 8.8
9	01136931	2	screw DIN 000931- M14 X185 - 10.9-A -A4C
10	01123737	2	screw DIN 000931- M14 X150 - 10.9-A
13	01124781	2	screw DIN 000912- M14 X130 -10.9-A4 C
15	01167273	4	sleeve H 002341-B18X18
34	01163730	2	bottom H 002873-A 12,8X 11,3X 9,5-PE WEICH-SW
45	01167052	3	washer H 000995-16,5X31X 7- 8.8
51	01144752	2	screw DIN 000912- M16 X120 -10.9-OE LGESCHW
98	04340646	1	dipstick
130	04331256	1	hydraulics housing
131	03401288	1	cover
132	03401287	1	gasket
133	01112299	12	screw m 8 x 12, d933 ISO 004017-M 8 X 12 - 8.8-A4C
134	01107548	18	washer 8.4 DIN 000433- 8,4-140HV-A4C
135	01107101	13	washer 8.4 DIN 000125-A 8,4-140HV-A4C
136	01118659	3	'o' ring DIN 007603-A 10 X 13,5-CU
140	01118970	1	plug m 18 p.1.5 DIN 007604-AM18X1,5 -ST-ZNPHR F
141	01118760	1	gasket 26x31 DIN 007603-A 26 X 31 -CU
142	01167311	4	bottom 9x7.4x9.5 H 002873-A 9 X 7,4X 9,5-PE WE ICH-SW
143	03401389	1	plug



Section: HYDRAULIC SYSTEM  
POWER LIFT

Fig.	Code	QTY	Name
159	01168705	1	DIN 007603-A 8 X 11,5-CU pin
160	03401422	0	H 004455-NH 8 X 12X10 ring OPTION ITEM... A=1
161	01118323	1	key DIN 006888- 3 X 5
162	04328836	1	bushing
163	03401405	3	fuse
164	03401401	1	pointer
165	04341079	1	lever
166	04323599	1	crosspiece
167	04328837	1	bushing
168	04328754	1	roller
169	04328740	1	lamination
170	04328838	1	sleeve
171	01115409	2	pin ISO 008752- 3 X 20
172	04303470	1	pin
173	03401406	1	pin
178	02314874	1	rod
179	04328745	1	rod
180	04329512	1	rod
182	01151498	1	screw DIN 000912- M 8 X 16 -10.9
183	01115433	1	stop ISO 008752- 5 X 16
184	04308167	1	locking segment
195	01160038	2	'o' ring H 002927- 10 X 3 -NBR-1-70
196	02389063	1	tube
216	04313312	1	shaft
217	04328753	1	roller
218	01161373	1	circlip H 002258- 8X1
219	04328750	1	pin
220	04371001	1	shaft
221	03401379	0	roller OPTION ITEM... A=24,5 MM
222	01124482	2	pin ISO 008752- 3 X 32
231	01211098	1	key-pin



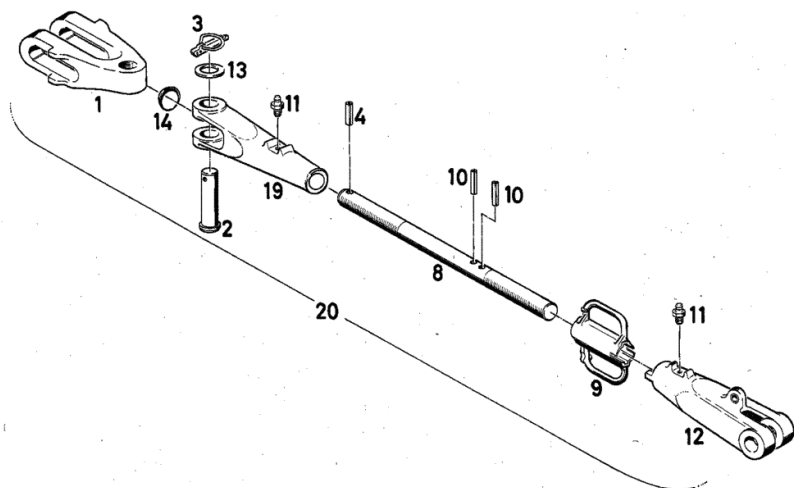
**CONNECTING ROD**

Fig.	Code	QTY	Name
1	02331826	1	fork
2	04339635	1	pin
3	01124059	1	pin DIN 011023- 12 X45-FE/ZN12CC
4	01115457	1	pin DIN 001481- 6 X 36-A4C
8	04308247	1	rod
9	04311073	1	crank
10	01115458	2	pin 6 x 40, d1481 ISO 008752- 6 X 40
11	01168224	2	lubricator m 6 H 003360-SA 6
12	04308241	1	ball joint
13	01115024	1	washer DIN 001440-26-ST50-A4C
14	01123632	1	washer DIN 000470- 40-ST-ZNPHRF
19	04336740	1	ball joint
20	04330610	1	rod

**DEUTZ  
FAHR**

VERBINDUNGSSTANGE  
CONNECTING ROD  
TRINGLE - RACCORD  
BARRA UNION

1905-11 503 5719



Section: HYDRAULIC SYSTEM  
**CLUTCH HOUSING**

Ref.: 14.13.2



GEHÄUSE	FÜR FRONTZAPFWELLE	FRONTKRAFTHEBER
HOUSING/CASE	FOR PTO-SHAFT	FRONT LIFT
CARTER/BOITIER	POUR PDF FRONTALE	RELEVAGE HYDR. AV
CAJA/BLOQUE/CUERPO	PARA TOMAFUERZA FRONTAL	ELEV. HYDR. FRONTAL

1029-13 503 5639

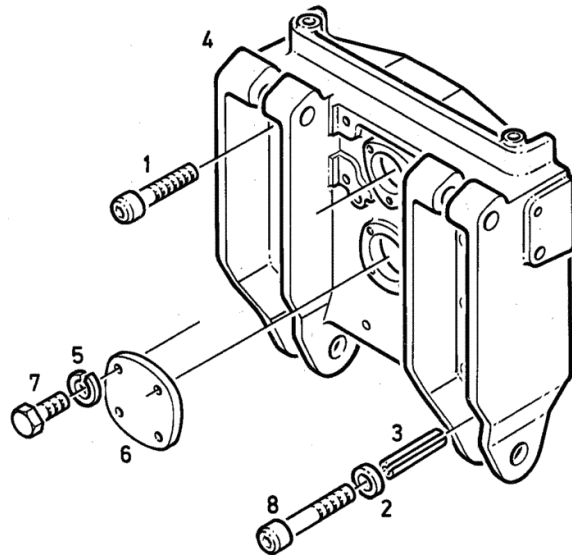


Fig.	Code	QTY	Name
1	01144752	8	screw DIN 000912- M16 X120 -10.9-OE LGESCHW
2	01167052	2	washer H 000995-16,5X31X 7- 8.8
3	01129527	2	pin DIN 007346-21 X100
4	04330358	1	body
5	01102797	4	washer 6, d128 DIN 000128-A 6 -FST -A4C
6	04330364	1	cover
7	01112240	4	screw m 6 x 12 ISO 004017-M 6 X 12 - 8.8-A4C
8	01128022	2	screw DIN 000912- M16 X140 - 8.8

## Section: HYDRAULIC SYSTEM

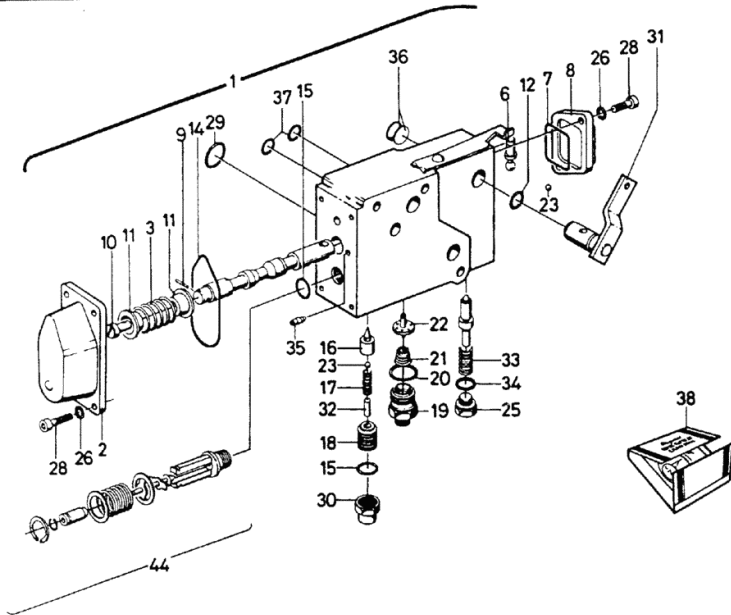
**INTERMEDIATE DEVICE I - VALVE SEALED**

Fig.	Code	QTY	Name
38	04306985	0	sub-assy parts
44	04309913	1	valve



DEUTZ-ZWISCHENGERAET, EINFACHWIRKEND  
 INTERMEDIATE UNIT, DEUTZ, SINGLE-ACTING  
 DISTRIBUTEUR INT., DEUTZ A SIMPLE EFFET  
 APTD. MANDO INTERM. TIPO DEUTZ DE SIMPLE EFECTO

1805-40 503 0317



Section: HYDRAULIC SYSTEM  
HYDR. CONTROL

Fig.	Code	QTY	Name
30	04318974	1	gear lever
31	01137255	1	pin ISO 002341-B 8K 6X 25X 19 -ST 50-2-A4C B8 K6X25X19 DIN 1444 ST50.2
32	04315948	1	universal joint
33	04318994	1	washer
34	01106407	3	split pin DIN 000094- 2 X 14-ST-A4C
35	04318975	1	gear lever
36	01107101	9	washer 8.4 DIN 000125-A 8,4-140HV-A4C
37	04318988	1	rod
41	04318992	1	rod
64	01120997	6	pin DIN 071805-S10 -A4C
69	01112813	3	nut m 6 DIN 000934-M 6 - 8-A4C
70	01125410	3	cap DIN 071803-A10-ST -A4C
73	04330042	1	distributor
77	04331867	1	rod
78	01124654	1	washer 6,4 d433 DIN 000433- 6,4-140HV-A4C
85	01137086	4	screw DIN 000939-M 8 X 85 -10.9-A4C
86	01137087	4	screw DIN 000939-M 8 X130 -10.9-A4C
87	01137089	4	screw DIN 000939-M 8 X170 -10.9-A4C
88	01112829	4	nut ISO 004032-M 8 -10
89	04319046	1	tip
90	04319439	1	gasket set TO ITEM...
92	04319440	0	sub-assy parts
93	04334555	1	bearing block
94	04343563	1	gasket set TO ITEM...
95	04331321	1	tongue
98	01173814	1	fixing locator H 003604-B 10/1
99	01112819	1	nut m 6 ISO 004032-M 6 LH - 8-A4C

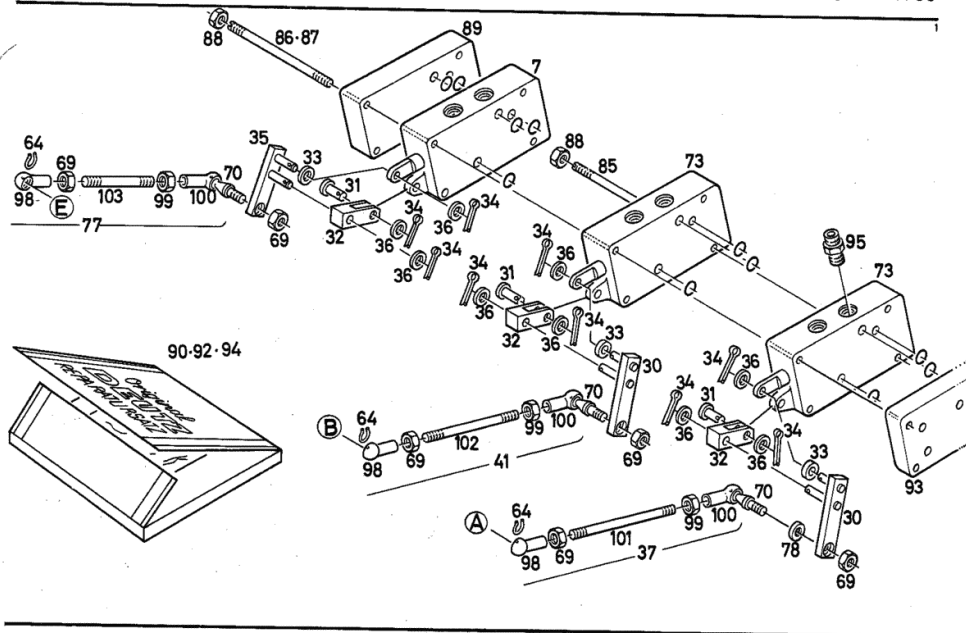


STEUEREINRICHTUNG-HYDR.  
CONTROL SYST.-HYDR.  
DISTRIBUTEUR-HYDR.  
EQUIPO DISTRIB.-HIDR.

BOSCH

STEUERGERÄT  
CONTROL UNIT  
DISTRIBUTEUR  
APARATO MANDO

1805-88 503 5768



## Section: MOTOR SUPPLY

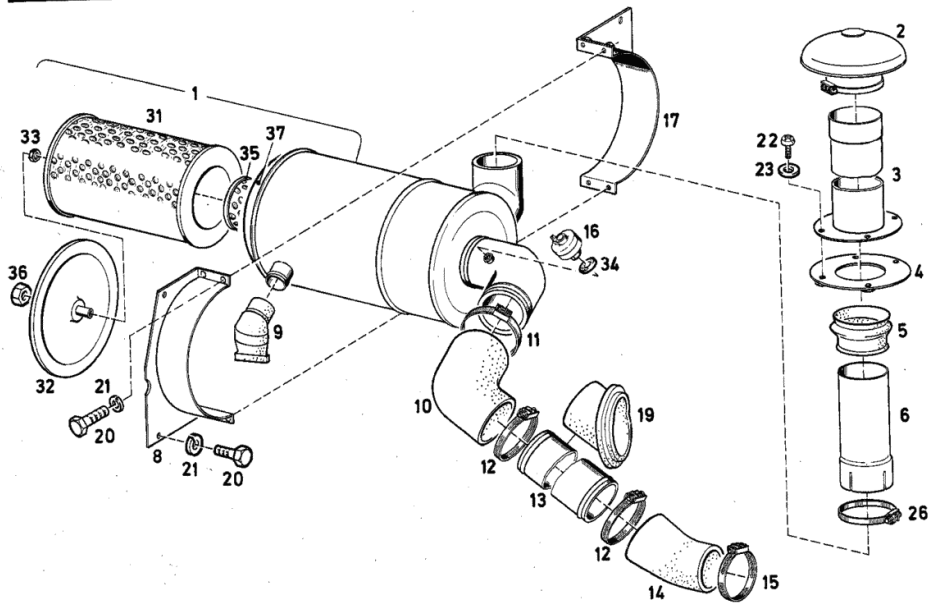
## DRY AIR FILTER

Fig.	Code	QTY	Name
1	04330333	1	air filter BESTEHEND AUS POS.....
2	01180732	1	tube H 004137- KA 5
3	04330344	1	tube
4	04330341	1	flange
5	02387941	1	boot
6	04330343	1	spacer
8	04303842	1	bracket
9	02241290	1	valve
10	04301254	1	manifold
11	01166447	1	hose clip H 000735-S 114 X 20
12	01169600	2	hose clip H 000735-S 94 X 20
13	04303851	1	tube
14	04301221	1	pipng
15	01166421	1	hose clip H 000735-S 85 X 20
16	01180698	1	sensor H 004137- WS 50 SCHLIE~ER
17	04307419	1	bracket
19	04313450	1	ring
20	01112307	8	screw m 8 p.1.25 x 15, d933 ISO 004017-M 8 X 16 - 8.8-A4C
21	01107283	8	washer 8.2 DIN 000137-B 8-FST-A4C
22	01137401	4	screw DIN 007985-M 8X 30SB- 4.8-H - A4C M8X30 SB DIN 7985-4.8A4C
23	01171740	4	washer 8,4x17x1,6 d125 H 002398- 125-A 8,4-ST
26	01170150	1	hose clip H 000735-S 106 X 15-SKZ
31	02165049	1	air filter element
32	04303809	1	shoe
33	01172481	1	nut m8 h2160 H 002160-M 8- 8,5
34	03363577	1	ring
35	02241329	1	air filter element
36	01131115	1	nut ISO 008675- M16X1,5 -05-A4C
37	02914576	1	none

1029-43 503 5691



TROCKENLUFTFILTER MIT ANSAUGUNG VON OBEN  
 DRY-TYPE AIR CLEANER WITH INTAKE STACK  
 EPURATEUR D'AIR DU TYPE SEC ASPIRATION D'EN HAUT  
 FILTRO DE AIRE EN SECO, ADMISION DESDE ARRIBA



CLICK HERE TO **DOWNLOAD** THE COMPLETE MANUAL

- Thank you very much for reading the preview of the manual.
- You can download the complete manual from: [www.heydownloads.com](http://www.heydownloads.com) by clicking the link below



- Please note: If there is no response to CLICKING the link, please download this PDF first and then click on it.

CLICK HERE TO **DOWNLOAD** THE COMPLETE MANUAL