

DX 3 VC .75

BRAKE

Control assy./servise brake, Parking brake

HAND BRAKE..... 13.29.2

OPERATION - PARKING BRAKE..... 13.29.3

Service brake, Contral assy./service brake

SERVICE BRAKE DISC BRAKE HYDR. REAR..... 13.30.4

SERVICE BRAKE - DISC BRAKE ON CARDAN SHAFT..... 13.30.8

OPERATION - SERVICE BRAKE HYDR..... 13.30.15

OPERATION - SERVICE BRAKE HYDR..... 13.30.16

OPERATION - SERVICE BRAKE HYDR..... 13.30.18

CLICK HERE TO **DOWNLOAD** THE COMPLETE MANUAL

- Thank you very much for reading the preview of the manual.
- You can download the complete manual from: www.heydownloads.com by clicking the link below



- Please note: If there is no response to CLICKING the link, please download this PDF first and then click on it.

CLICK HERE TO **DOWNLOAD** THE COMPLETE MANUAL

Section: BRAKE
OPERATION - SERVICE BRAKE HYDR.

Fig.	Code	QTY	Name
83	04376078	1	tube FOR TELESCOPIC AXLE
85	04376630	3	flexible hose FOR TELESCOPIC AXLE
86	04376665	2	flexible hose FOR TELESCOPIC AXLE
87	01211882	2	collar H 003223-B15X15-W1/CR70-10
90	04376081	1	tube

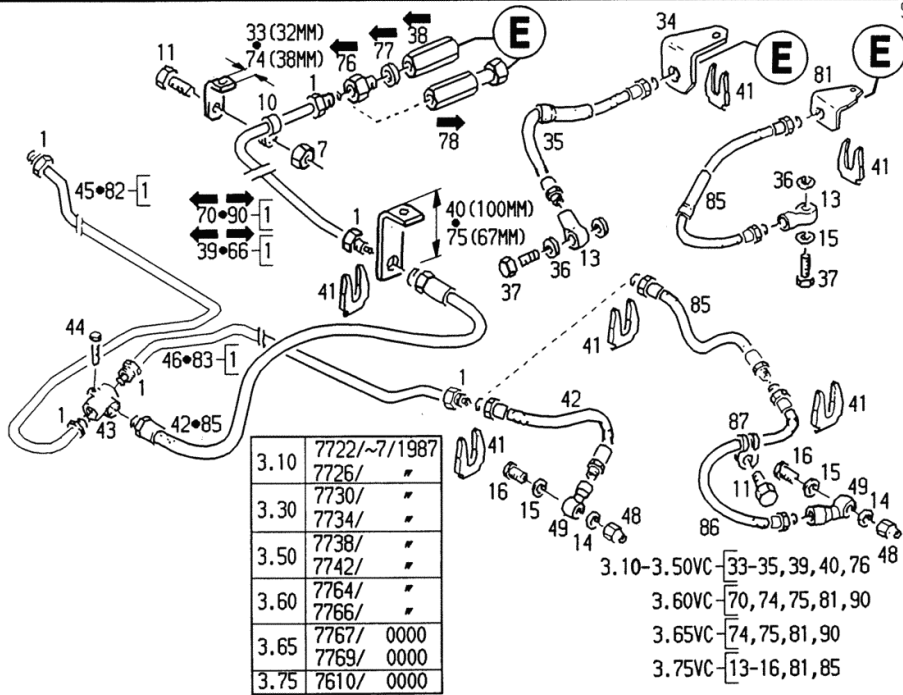


BETAETIGUNG
 CONTROL ASSEMBLY
 CDE D'ACTIONNEM
 MANO ACCIONAMIENTO

BETRIEBSBREMSE
 BRAKE
 FREIN DE SERVICE
 FRENO

HYDR.
 HYDR.
 HYDR.
 HIDR.

1066-30 0504 3964



Section: BUILT-ON ACCESSORIES
HOOD SUPPORT



HAUBENTRAEGER
 HOOD CARRIER
 SUPPORT CARIOT
 PORTACAPOT

1065-41 0504 5461

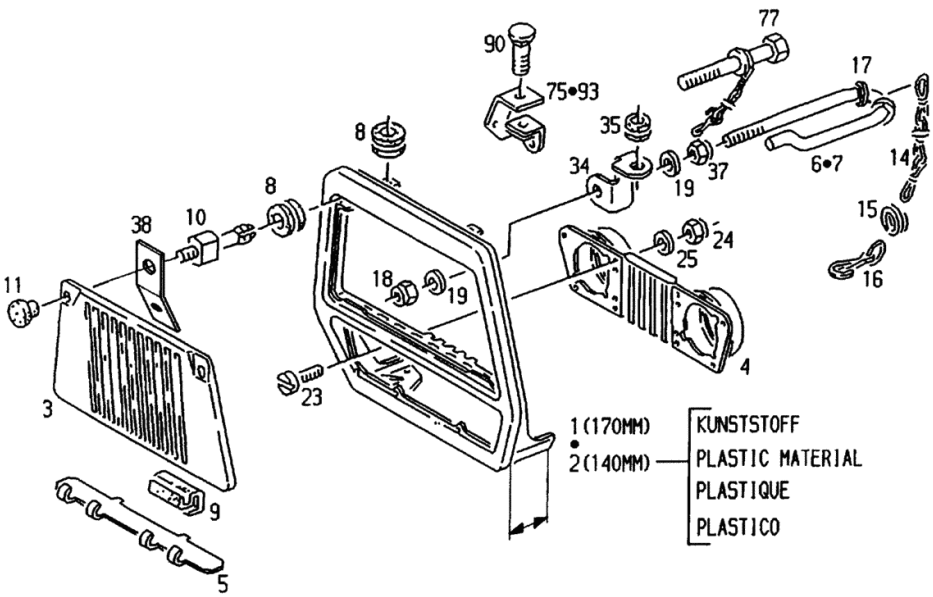


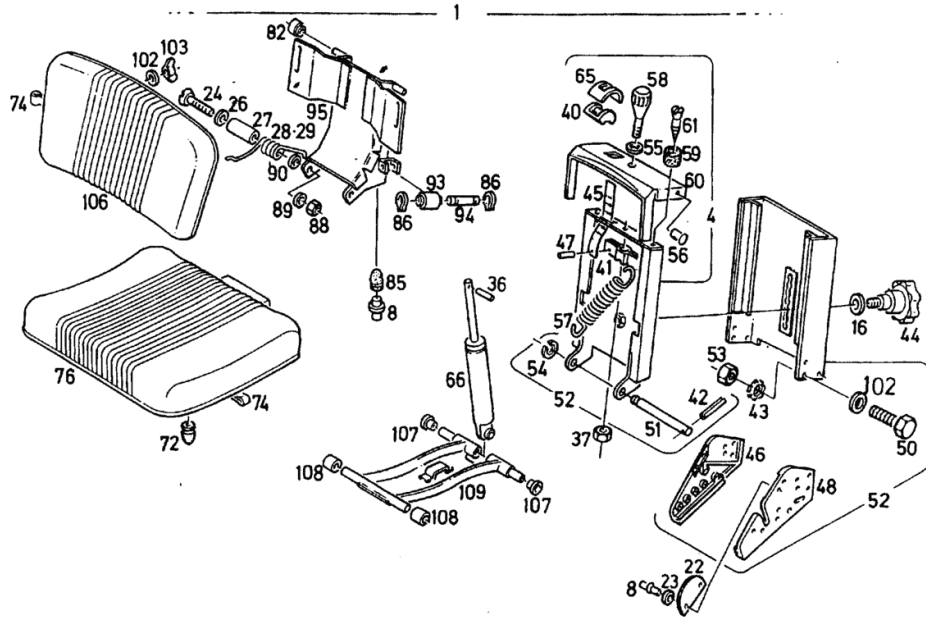
Fig.	Code	QTY	Name
1	04378113	1	support
2	04378114	1	support ON FIRST REPLACEMENT SUPPLY WITH ITEM.... FOR ALUMINIUM PART ITEM 4,5,23-25+ 117 4235 CLAMPING WA
3	04351362	1	lamination
4	04366009	1	support
5	04365924	1	lamination
6	04366675	1	pin dx/rh/re RIGHTS
7	04366676	1	pin sx/lh/li LEFT
8	04337044	4	rubber plug
9	04337045	2	profile
10	04340995	2	support
11	04345880	2	plug
14	01401340	2	chain DIN 005686-2,5X 245-FE/ZN12CC
15	04322508	2	ring
16	04323233	2	clevis
17	01176437	4	stop H 002205-P 8 -FE/ZN12CC
18	01136452	2	nut vm 8 d980 DIN 000980-VM 8 - 8-A4C GEWAC HST
19	01107101	4	washer 8.4 DIN 000125-A 8,4-140HV-A4C
23	01171734	8	screw H 002093- 7985-M 6X 16 -4.8 - H
24	01133500	2	nut vm 6 d980 DIN 000980-VM 6 - 8-A4C GEWAC HST
25	01107095	2	washer 6.4 DIN 000125-A 6,4-140HV-A4C
34	04378980	1	bracket
35	01167421	1	rubber bushing H 002928-D 8 X11 X 2 -GI DEUT Z 1
37	01112824	2	nut m 8, d934 ISO 004032-M 8 - 8-A4C
38	04398896	1	bracket
75	04355192	1	console

Section: BUILT-ON ACCESSORIES
DRIVER'S SEAT FOLDING SEAT

Fig.	Code	QTY	Name
1	04355862	1	seat
4	04306978	1	body WITH ITEM 55-61
8	01175734	4	rivet
16	01107117	2	washer 17 DIN 000125-A17 -140HV-A4C
22	04311660	2	diaphragm
23	01104946	4	washer DIN 009021- 5,3-100HV-A4C
24	01119733	2	screw m10x60 d7991 DIN 007991-M10 X 60- 8.8
26	01138626	2	washer DIN 000125-B17 -200HV-A4
27	04311654	2	tube
28	04311656	1	spring RIGHTS
29	04311657	1	spring LEFT
36	01104188	1	rivet DIN 007340-B4X0,75X25-ST
37	01112858	1	nut m 12, d934 DIN 000934-M12 - 8-A4C
40	02374955	1	guide
41	02374944	1	support
42	01115423	1	pin ISO 008752- 4 X 24
43	01127471	6	washer DIN 006798-A 8,2-A4C
44	02374952	1	mandrel
45	02374956	1	metal strap
46	04348015	1	brake support
47	01115316	1	none ISO 008746- 4 X 8-ST -A4C
48	04348016	1	brake support
50	01112322	6	screw m 8 p.1.25 x 20 ISO 004017-M 8 X 20 - 8.8-A4C
51	02374945	1	pin
52	02386986	1	body
53	01112824	6	nut m 8, d934 ISO 004032-M 8 - 8-A4C
54	01117930	1	washer DIN 006799- 9
55	01117929	1	washer

DEUTZ FAHR FAHRERSITZ DRIVER'S SEAT SIEGE DE CONDUCT ASTIENTO CONDUCTOR
KLAPPSITZ FOLDING SEAT STRAPON TIN ASIEN TO ABATIBLE

1001-54 0504 3934



Section: BUILT-ON ACCESSORIES

DRIVER'S SEAT - FOLDING SEAT - ISRINGHAUSEN

Fig.	Code	QTY	Name
1	04389339	1	consolle
2	04389297	1	lever LEFT
3	04389296	1	lever
4	04389338	2	spacer
5	01112266	2	screw m 6 x 22 ISO 004017-M 6 X 22 - 8.8-A4C
6	04389110	2	washer
7	04388479	1	lever FOR HEIGHT ADJUSTMENT
0 8	04389099	1	spring LEFT
9	04389098	1	spring RIGHTS

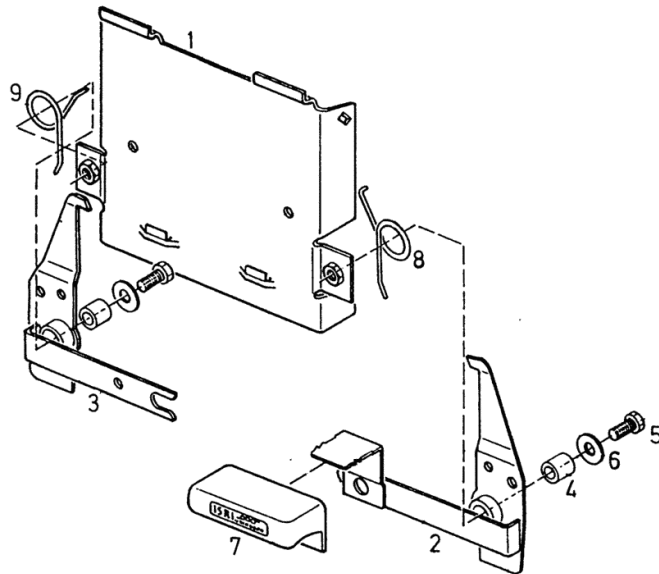


FAHRERSITZ
DRIVER'S SEAT
SIEGE DE CONDUCT
ASIENTO CONDUCTOR

KLAPPSITZ
FOLDING SEAT
STRAPONTIN
ASIENTO ABATIBLE

ISRINGHAUSEN

1065-54 0504 7006



Section: BUILT-ON ACCESSORIES
WARNING TRIANGLE HOLDER

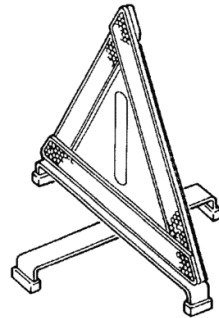
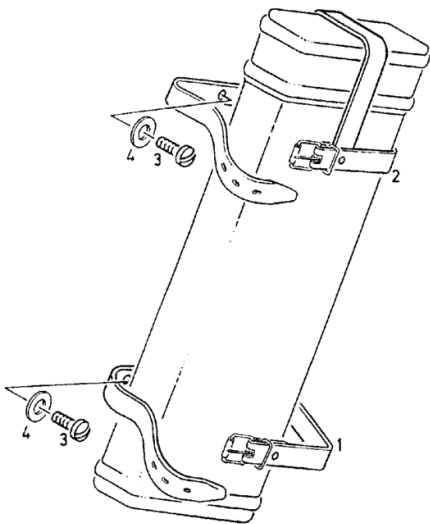
Fig.	Code	QTY	Name
1	04333624	1	belt
2	04333625	1	washer
3	01103538	4	screw ISO 007049-ST4,8X13 -C-H-A4C
4	01119817	4	washer DIN 009021- 6,4-140HV-A4C



HALTER FÜR WARNDREIECK
 RETAINER FOR WARNING TRIANGLE
 SUPPORT POUR TRIANGLE DE PANNE
 SOPORTE PARA TRIANGULO AVISO

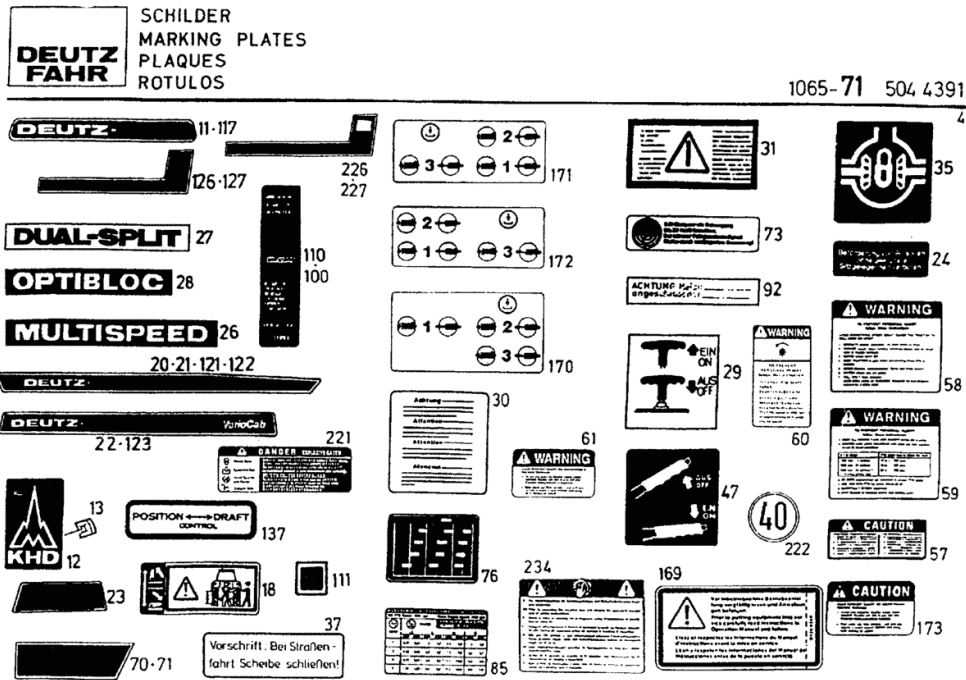
1003-70 503 5280

3



Section: BUILT-ON ACCESSORIES
PLATES

Fig.	Code	QTY	Name
958	04362856	1	LEFT 6265 HOOD plate
959	04353959	1	LEFT 6275 HOOD plate
960	04353961	1	RIGHTS DX 3.30 HOOD plate
961	04353963	1	RIGHTS DX 3.50 HOOD plate
962	04353965	1	RIGHTS DX 3.70 HOOD plate
963	04362849	1	RIGHTS DX 3.90 HOOD plate
964	04362851	1	RIGHTS 6240 HOOD plate
965	04362853	1	RIGHTS 6250 HOOD plate
966	04362855	1	RIGHTS 6260 HOOD plate
967	04362857	1	RIGHTS 6265 HOOD plate
968	04361624	1	RIGHTS 6275 HOOD plate
969	04361625	1	LEFT DX 3.60 HOOD plate
970	04363772	1	RIGHTS DX 3.60 HOOD plate
971	04363773	1	VAR,S+SK 30 KM/H DX 3.60 plate
			VAR,SB+SBK 30 KM/H DX 3.60

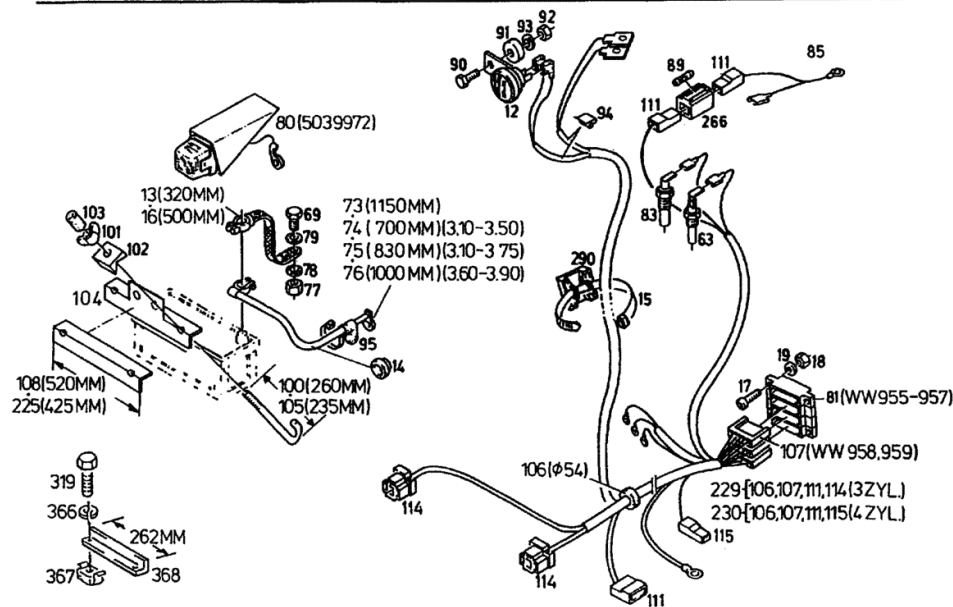


Section: ELECTRIC AL SYSTEM
ELECTRICAL SYSTEM

Fig.	Code	QTY	Name
12	01169304	1	horn H 007650-100 X12
13	02338244	1	wire
14	01167430	1	rubber bushing H 002928-D21 X32 X 1,5-GI DEU TZ 1
15	01172065	15	clamp 4.6 x 146 H 007672-G 146X 4,6
16	01137287	1	none
17	01119633	4	DIN 072333-R30-A2-16X 500-105 screw m 5 x 16 ISO 007045-M 5X 16 - 4.8-H -A 4C
18	01112803	4	nut m 5, d934 ISO 004032-M 5 - 8-A4C
19	01126725	7	spring disc DIN 000137-B 5-FST-A4C
63	01173469	1	switch H 004215-B-150
69	01112418	1	screw m 10 x 25, d933 DIN 000933-M10 X 25 - 8.8-A4C
73	04360091	1	cable
74	04355457	1	cable
75	04355458	1	cable
76	04355459	1	cable
77	01102659	1	nut m 10, d934 DIN 000934-M10 - 8-A4C
78	01117869	1	lock washer DIN 006797-A10,5-A4C
79	01131110	1	washer 10.5 DIN 009021-10,5-100HV-A4C
80	00000000	0	not serviceable
81	01173034	1	plug H 007642-PES 6,3-8 -WEISS
83	01177090	1	resistance H 820313-A1-ET
85	04363492	1	wire
89	04355909	1	fuse 30 A
90	01112333	1	screw m 8 x 25, d933 ISO 004017-M 8 X 25 - 8.8-A4C
91	03387988	1	spacer
92	01112824	1	nut m 8, d934 ISO 004032-M 8 - 8-A4C
93	01107283	2	washer 8.2

**DEUTZ
FAHR** ELEKTRISCHE AUSRÜSTUNG
ELECTRICAL EQUIPMENT
EQUIPEMENT ELECTR.
EQUIPO ELECTRICO

1065-49504 4076

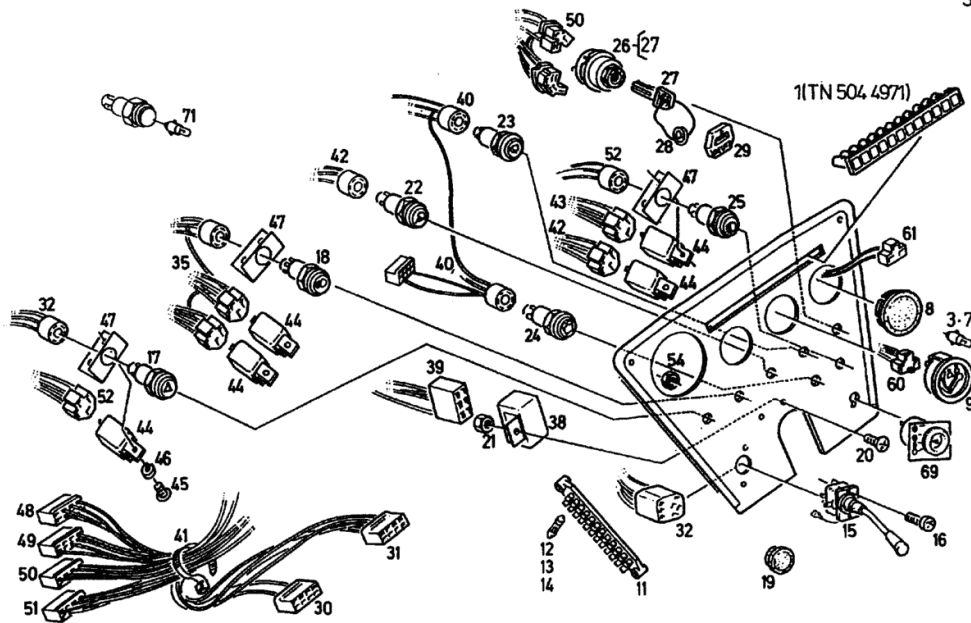


Section: ELECTRIC AL SYSTEM
SWITCHBOX DASHBOARD

Fig.	Code	QTY	Name
35	04356345	1	socket
38	01172973	1	warning light H 007660-B 7
39	04361088	1	socket
40	04356346	1	socket
41	01172065	7	clamp 4.6 x 146 H 007672-G 146X 4,6
42	04356220	1	socket
43	04356223	1	socket
44	01164017	3	relay H 821735-KW-12V-F
45	01119632	3	screw m 5 p.1x10 ISO 007045-M 5X 10 - 4.8-H -A 4C
46	01102796	3	ring 5 DIN 000128-A 5 -FST -A4C
47	04357086	2	consolle
48	04356560	1	socket
49	04356561	1	socket
50	04356555	1	socket
51	04356443	1	socket
52	04361311	1	socket
54	01136450	2	nut DIN 000980-VM 4 - 8-A4C GEWAC HST
60	04356406	1	connection
61	04356409	1	socket
69	04340662	1	switch
70	01102918	1	lamp w5/1,2 w DIN 072601-W5/1,2-12V 1,2 W
71	01162782	1	lamp H 007645- 12V 1,2 W

DEUTZ FAHR SCHALKASTEN MAIN SWITCH COFFRET COMMANDE CAJA CONEXIONES
 ARMATUREN INSTRUMENTS INSTRUMENTS INSTRUMENTOS

1065-49 504 4081



LIGHTS REAR

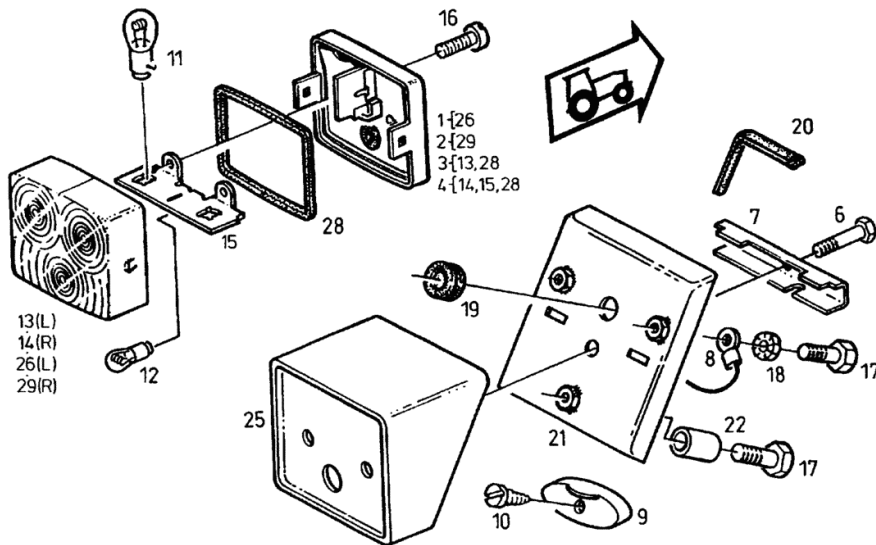
Fig.	Code	QTY	Name
1	04389588	1	light TAIL-BRAKE-INDICATOR-LICENCE LICENCE PLATE LIGHT
2	04389594	1	light COMBINED TAIL AND BRAKE AND INDICATOR LAMP
3	02377135	1	side lamp COMBINED TAIL AND BRAKE AND LICENCE-PLATE LAMP LIGHT
4	02377133	1	side lamp COMBINED TAIL AND BRAKE LAMP
6	01126975	1	screw m 6 x 70, d931 ISO 004014- M 6 X 70 - 8.8-A4 C
7	02306342	1	bracket
8	02377453	1	tube
9	02306341	1	plate
10	01101505	1	screw ISO 007049-ST4,8X32 -C-H-A4C
11	01102550	2	lamp r121w d72601 DIN 072601-P25-1- 12V 21 W
12	01121409	1	lamp g/10w d72601 DIN 072601-R19/10-12V 10 W
13	02381661	1	glass
14	02381657	1	glass
15	02381652	1	socket
16	01124043	2	screw m 5 x 20 ISO 007045-M 5X 20 - 4.8-H -A 4C
17	01102534	3	screw m 5x40 d931 ISO 004014- M 5 X 40 - 8.8-A4 C
18	01117863	1	washer 7.5 DIN 006797-A 6,4-A4C
19	01162723	1	rubber bushing H 002928-D10 X16 X 1,5-GI DEU TZ 1
20	01163295	1	gasket H 007560- V 1,5 X 8 X 9 -GB
21	02386426	1	shim
22	02381833	1	tube
25	02389528	1	shim
26	04390876	1	glass

LEUCHTEN
LIGHTS
FEUX
LAMPARAS

HINTEN
REAR
ARRIERE
TRASERAS

1001-49 503 9974

6



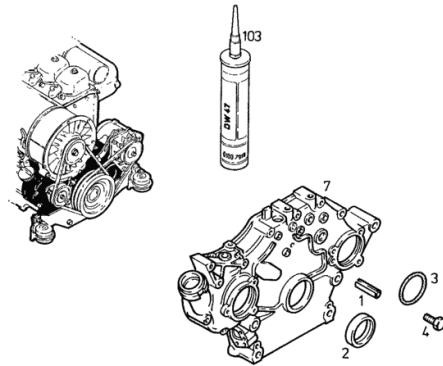
Section: ENGINE
FRONT COVER

Fig.	Code	QTY	Name
1	01115459	1	pin ISO 008752- 6 X 45
2	04154144	1	'o' ring 65X85X10,5
3	01166111	1	'o' ring H 002927- 80 X 3 -MVQ-1-50
4	01102396	1	screw ISO 004017-M 8 X 8 - 8.8-A4C
7	02136027	1	cover
103	01016120	1	compound H 000699-DEUTZ DW 47- 310 ML



Vorderer Deckel
Front cover
Couvercle avant
Tapa delantera

0150-01-0506 4023



Section: ENGINE

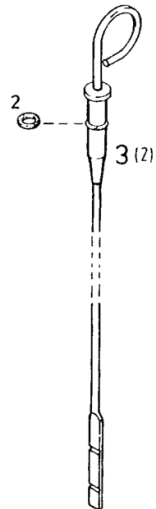
DIPSTICK

Fig.	Code	QTY	Name
2	01174311	1	'o' ring H 002927- 4,3 X 2,4 -FPM-1-70
3	01177883	1	dipstick H 003535-AV - 250- 205X 30- 3 8 WITH ITEM 2



Ölmeßstab
Oil dipstick
Jauge de niveau d'huile
Varilla de sondeo para nivel de aceite

0150-01-505 1183



Section: ENGINE
PISTON PIECE/CYL.-UNIT

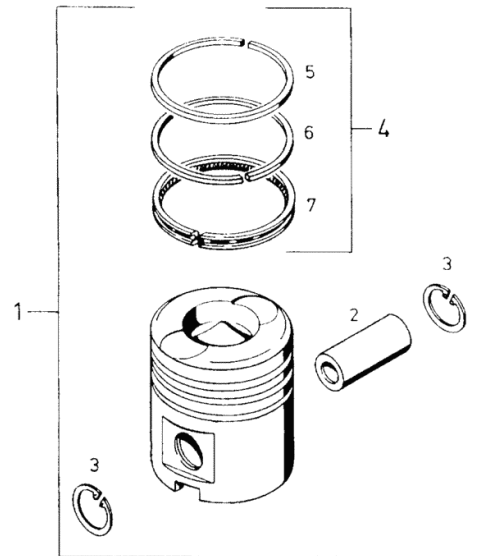
Fig.	Code	QTY	Name
1	04152183	1	piston NORM.102.00 MM UNDERSIZE ITEM 950 WITH COOLING-AIR DUCT
2	03371660	1	piston pin
3	01107821	2	circlip 35x1,5 d472 DIN 000472- 35X1,5
4	04152185	1	piston ring set NORM.102.00 MM UNDERSIZE ITEM 951
5	01177949	1	piston ring H 002962-TKV 102 X 93,4X 2,9- GV-MO NORM.102.00 MM UNDERSIZE ITEM 952
6	01176109	1	ring H 002956-ST 102 X 93,4X2,5-CR NORM.102.00 MM UNDERSIZE ITEM 953
7	01174445	1	ring H 002984-TSF 102 X 93,5X 5 -C R NORM.102.00 MM UNDERSIZE ITEM 954
950	04153957	0	piston 1.OVERSIZE 102.50 MM
951	04153958	0	piston ring set 1.OVERSIZE 102.50 MM
952	01177948	0	ring H 002962-TKV 102,5X 93,2X 2,9 -GV-MO H2962-DKT 102.5X93,9X3 1.OVERSIZE 102.50 MM
953	01176220	0	ring H 002956-ST 102,5X 93,9X2,5-C R H2962-MS 102,5X93,9X2,5 1.OVERSIZE 102.50 MM
954	01174446	0	ring H 002984-TSF 102,5X 93,8X 5 - CR H2984-TSF 102,5X93,9X5 1.OVERSIZE 102.50 MM

0150-07 -504 2813



Kolben
Piston
Piston
Embolo

Stuck / Zyl.- Einheit
Pieces / cyl unit
Qté / cylindre
Canid./unid. cilind.



CONDUIT

Fig.	Code	QTY	Name
1	03371888	1	sleeve



Schutzrohr
Protecting tube
Tube protecteur
Tubo protector

Referenznr.:

0150 -11- 0502 2186

003



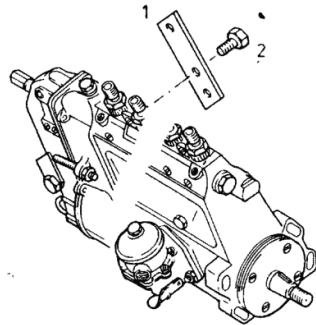
Section: ENGINE
STOP LEVER

Fig.	Code	QTY	Name
1	04151512	1	lever
2	01112243	1	screw DIN 000933-M 6 X 12 SK- 8.8-A 4C



Abstellhebel
Shut - down lever
Lever d'arrêt
Palanca de parada

0150-17-504 2232



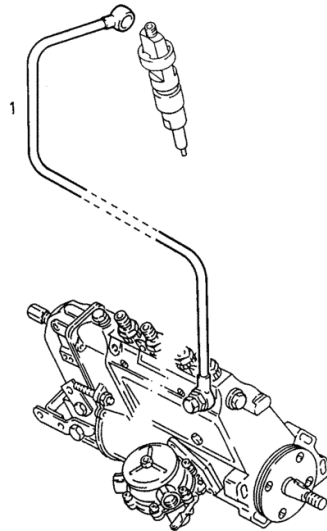
Section: ENGINE
OVERFLOW LINE

Fig.	Code	QTY	Name
1	04157555	1	tube



Überströmleitung
Overflow pipe
Conduit de décharge
Tubería de rebosamiento

0150-21-0506 4730



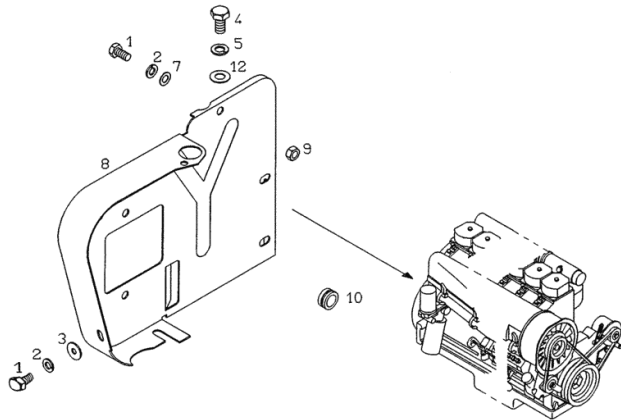
Section: ENGINE
VERTICAL SHEET REAR

Fig.	Code	QTY	Name
1	01112240	2	screw m 6 x 12 ISO 004017-M 6 X 12 - 8.8-A4C
2	01102797	2	washer 6, d128 DIN 000128-A 6 -FST -A4C
3	01215850	1	washer
4	01112307	1	screw m 8 p.1.25 x 15, d933 ISO 004017-M 8 X 16 - 8.8-A4C
5	01102799	1	washer 8, d128 DIN 000128-A 8 -FST -A4C
7	01107095	1	washer 6.4 DIN 000125-A 6,4-140HV-A4C
8	04157901	1	lamination - REAR
9	01112813	1	nut m 6 DIN 000934-M 6 - 8-A4C
10	01167425	1	rubber bushing H 002928-D13,5 X17 X 1,5-GI D DEUTZ 1
12	01107101	1	washer 8.4 DIN 000125-A 8,4-140HV-A4C



STANDBLECH (HINTEN)
 STAY PLATE REAR
 TOLE VERTICALE (AR)
 CHAPA VERTICAL (ATRAS)

0150 -40- 0506 4254



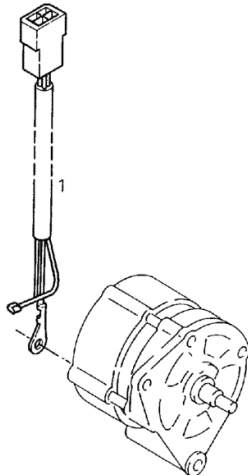
Section: ENGINE
CONNECTING PIPE

Fig.	Code	QTY	Name
1	04190616	1	tube



Verbindungsleitung
Connecting line
Durite
Conducto de unión

0150 - 48-0506 4431



CLICK HERE TO **DOWNLOAD** THE COMPLETE MANUAL

- Thank you very much for reading the preview of the manual.
- You can download the complete manual from: www.heydownloads.com by clicking the link below



- Please note: If there is no response to CLICKING the link, please download this PDF first and then click on it.

CLICK HERE TO **DOWNLOAD** THE COMPLETE MANUAL

DX 3 VC .75

FRONT AXLE, STEERING ASSEMBLY

Joint shaft

CARDAN SHAFT.....	15.21.7
CARDAN SHAFT PROTECTION.....	15.21.8

Driven steering axle

DRIVEN FRONT AXLE.....	15.28.1
DRIVEN FRONT AXLE.....	15.28.3
DRIVEN FRONT AXLE.....	15.28.4
DRIVEN STEERING AXLE - OPTITRAC.....	15.28.5
DRIVEN STEERING AXLE - OPTIBLOC.....	15.28.6
DRIVEN STEERING AXLE WITHOUT VENTING.....	15.28.7

Front axle bracket

FRONT AXLE BEARING BLOCK.....	15.32.1
-------------------------------	---------

Hydrostatic steering

HYDRAULIC STEERING GEAR - DRIVEN STEERING AXLE.....	15.89.3
HYDRAULIC STEERING GEAR STEERING COLUMN.....	15.89.4
CONTROL PUMP.....	15.89.9
CONTROL PUMP - ZF.....	15.89.10

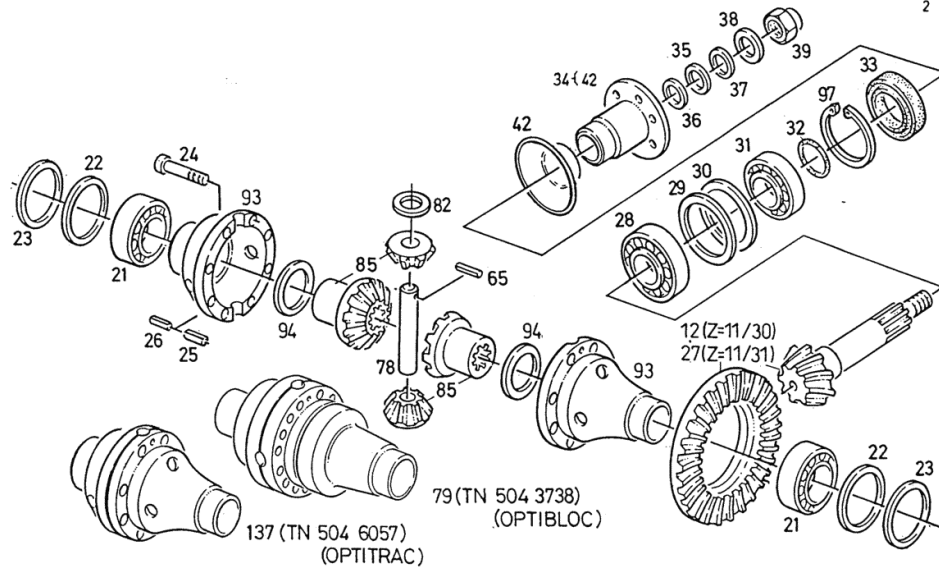
DRIVEN FRONT AXLE

Fig.	Code	QTY	Name
85	04359478	0	bevel gear
93	04359780	1	differential carrier FROM FIRST REPLACEMENT UNTIL CHASSIS-AXLE-GEARBOX- SUPPLY WITH NO.ITEM.. 94 UND 82
94	04359789	2	washer
97	01107858	1	circlip 90 DIN 000472- 90X3
137	05046057	0	front axle ☞ 15.28.5

**DEUTZ
FAHR** GETR. LENKACHSE
DRIVEN AXLE
ESSIEU DIRECTEUR
EJE MOTRIZ

1065-28 504 6234

2



DX 3 VC .75

GEARBOX, CLUTCH

Clutch

STOPPING LEVER.....	12.02.1
STOPPING LEVER - BEARING LUBRICATION.....	12.02.2
STOPPING LEVER - BEARING LUBRICATION - V-R SYNCHRON.....	12.02.3

Clutch control assy.

OPERATION - DRIVING CLUTCH.....	12.03.1
---------------------------------	---------

Control assy.- pto clutch

OPERATION - P.T.O. SHAFT COUPLING.....	12.04.1
HAND LEVER.....	12.04.3

Hydr. pump gearbox, Lube oil supply, Pressure oil supply

LUBRICATING OIL SUPPLY - V-R SYNCHRON.....	12.07.1
--	---------

Transmission

GEARBOX.....	12.08.1
--------------	---------

Clutch housing, Control units for gearbox, Intermediate gear

CLUTCH HOUSING.....	12.09.1
---------------------	---------

Change-speed gearbox, Contr. hydr. front whell drive, Contr. hydr./diff. lock, Control assy. hydr. PTO shaft, rear

GEAR CHANGE BOX.....	12.11.2
DRIVE.....	12.11.3
DRIVE - INTERMEDIATE GEARS.....	12.11.4
GEARSHIFT SLEEVE CARRIER INTERMEDIATE GEAR.....	12.11.5
CLUTCH BODY INTERMEDIATE GEAR.....	12.11.6
MAIN SHAFT.....	12.11.7
GEARWHEEL FOR 4 SPEED.....	12.11.8
GEARSHIFT SLEEVE CARRIER FOR 3+4 GEAR.....	12.11.9
GEARWHEEL FOR 4 SPEED.....	12.11.10
TRANSMISSION SHAFT.....	12.11.11
GEARWHEEL FOR 4 SPEED.....	12.11.12
GEARWHEEL FOR 2 SPEED.....	12.11.13
GEARSHIFT SLEEVE CARRIER FOR 1+2 GEAR.....	12.11.14
REVERSE GEAR.....	12.11.15
UNDERDRIVE.....	12.11.16
UNDERDRIVE - V-R SYNCHRON.....	12.11.17
GEAR CHANGE BOX - V-R SYNCHRON.....	12.11.18
DRIVE - INTERMEDIATE GEARS - V-R SYNCHRON.....	12.11.19
LAYSHAFT - INTERMEDIATE GEARS - V-R SYNCHRON.....	12.11.20
DRIP TRAY.....	12.11.21
MAIN SHAFT - V-R SYNCRON.....	12.11.22
REVERSE GEAR - INTERMEDIATE GEAR - V-R SYNCHRON.....	12.11.23
LAYSHAFT 1+2 SPEED - V-R SYNCRON.....	12.11.24
LAYSHAFT 3+4 SPEED - V-R SYNCRON.....	12.11.25

Control assy intermediate gear, Gearshift assembly

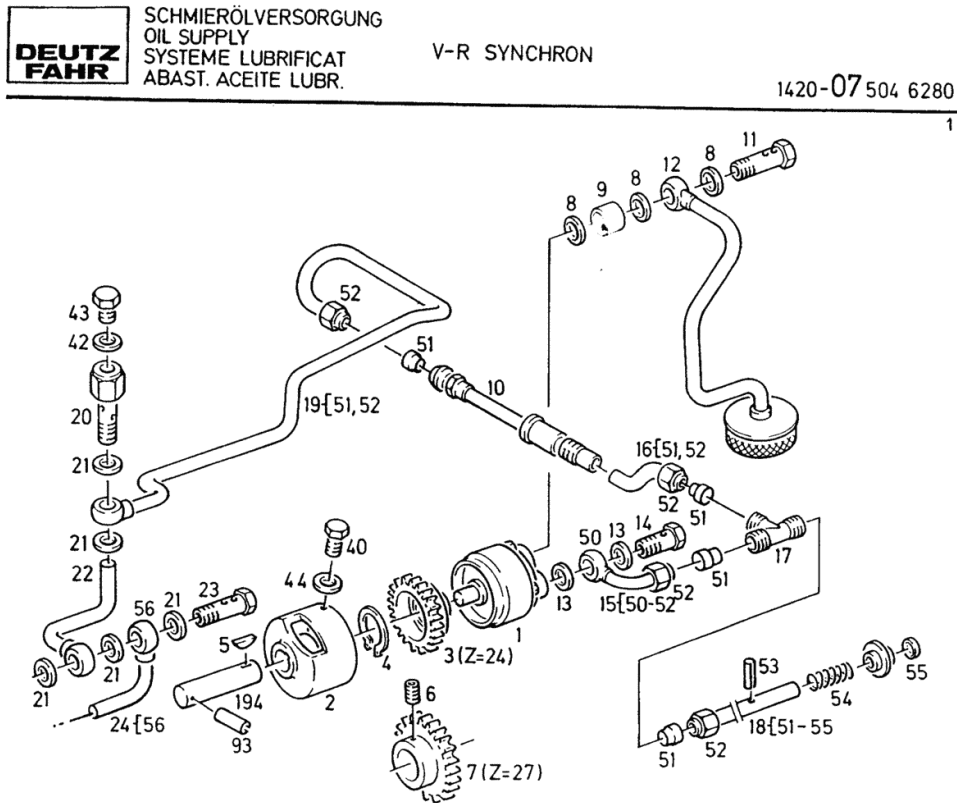
LUBRICATING OIL SUPPLY - V-R SYNCHRON

Fig.	Code	QTY	Name
1	04367282	1	oil pump
2	04367040	1	bushing
3	04367023	1	gear
4	01107732	1	circlip
5	01117936	1	spring washer DIN 000471- 22X1,2
6	01104276	1	pin DIN 000915-M 6 X 12-45H
7	04390304	1	gear
8	01118700	3	'o' ring Ø 16 x 20 DIN 007603-A 16 X 20 -CU
9	01173800	1	pipe fitting H 003164-BM18X1,5XM18X1,5
10	04390907	1	tube
11	01119252	1	screw H 003102-D15 M-ST-A4C
12	04393001	1	primer
13	01118688	2	ring 14x17 DIN 007603-A 14 X 18 -CU
14	01119246	1	pipe union H 3102 -D10 M H 003102-D10 M-ST-A4C
15	04390911	1	tube
16	04390904	1	tube
17	01127371	1	pipe fitting DL 8 H 003131-DL 8-ST-A4C
18	04390909	1	tube
19	04390924	1	tube
20	04391885	1	screw
21	01213282	5	gasket H 002905-U 12,7X18 X1,5 -W1
22	04391886	1	pipng
23	01178631	1	pipe union H 003103-A 8M
24	04390913	1	tube
40	01112240	1	screw m 6 x 12 ISO 004017-M 6 X 12 - 8.8-A4C
42	01118659	1	'o' ring DIN 007603-A 10 X 13,5-CU
43	01100371	1	screw DIN 007604-AM10X1 -ST-A4C
44	01151664	1	washer 6.4 DIN 000125- 6,4-200HV-A4C
50	01215127	1	ring

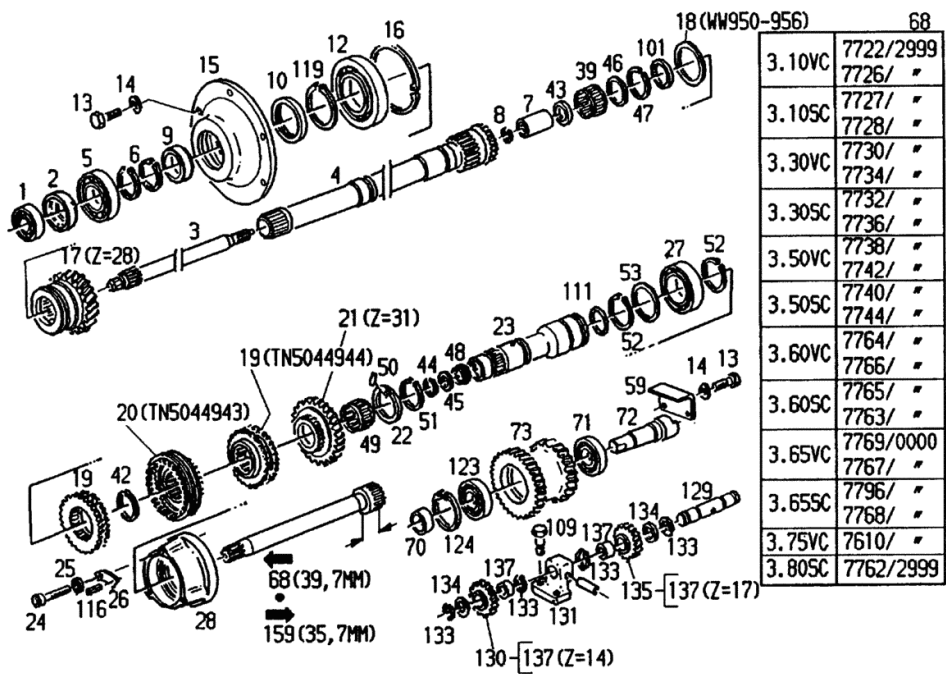
Section: GEARBOX, CLUTCH
DRIVE - INTERMEDIATE GEARS

Fig.	Code	QTY	Name
131	04355616	1	bearing block
132	01115455	1	pin ISO 008752- 6 X 32
133	01107727	4	ring DIN 000471- 18X1,2
134	04355619	4	washer
135	04352750	1	gear
137	04357259	1	bushing
159	04374030	1	transmission shaft
950	04349171	1	shim 0,70 MM
951	04349172	1	shim 0,90 MM
952	04349173	1	shim 1,10 MM
953	04349174	1	shim 1,30 MM
954	04349175	1	shim 1,50 MM
955	04349176	1	shim 1,70 MM
956	04349177	1	shim 1,90 MM



ANTRIEB VORSCHALTGETRIEBE
 DRIVE REDUCTION GEAR
 COMMANDE BOITE-RELAIS
 ACCIONAMIENTO ENGRANAJE PRIMARIO

1420-11 0504 3663



Section: GEARBOX, CLUTCH
GEARWHEEL FOR 4 SPEED

Fig.	Code	QTY	Name
1	04359856	1	gear
2	04374109	1	gear
3	04359887	1	ring

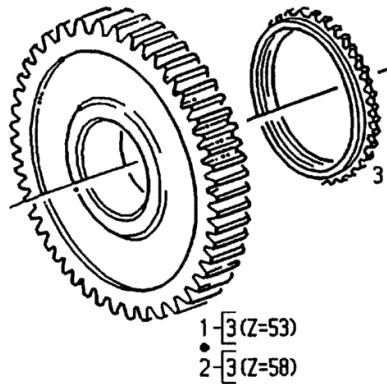
FROM FIRST REPLACEMENT UNTIL
CHASSIS-AXLE-GEARBOX-
SUPPLY WITH NO.ITEM..
1,2



ZAHNRAD
TOOTHED GEAR
ROUE D'ENGRENAGE
ENGRANAJE

FUER 4 GANG
FOR 4 SPEED
POUR 4 RAPPORTS
EN 4 MARCHA

1420-11 0504 4948



3.10VC	7722/0345
	7726/0134
3.10SC	7724/0040
	7728/0018
3.30VC	7730/0657
	7734/0359
3.30SC	7732/0259
	7736/0179
3.50VC	7738/0562
	7742/0445
3.50SC	7740/0778
	7744/0680
3.60VC	7764/0000
	7766/0000
3.60SC	7765/0000
	7763/0000
3.65VC	7769/0000
	7767/0000
3.65SC	7796/0000
	7768/0000
3.75VC	7610/0000
3.80SC	7762/0000

DRIVE - INTERMEDIATE GEARS - V-R SYNCHRON

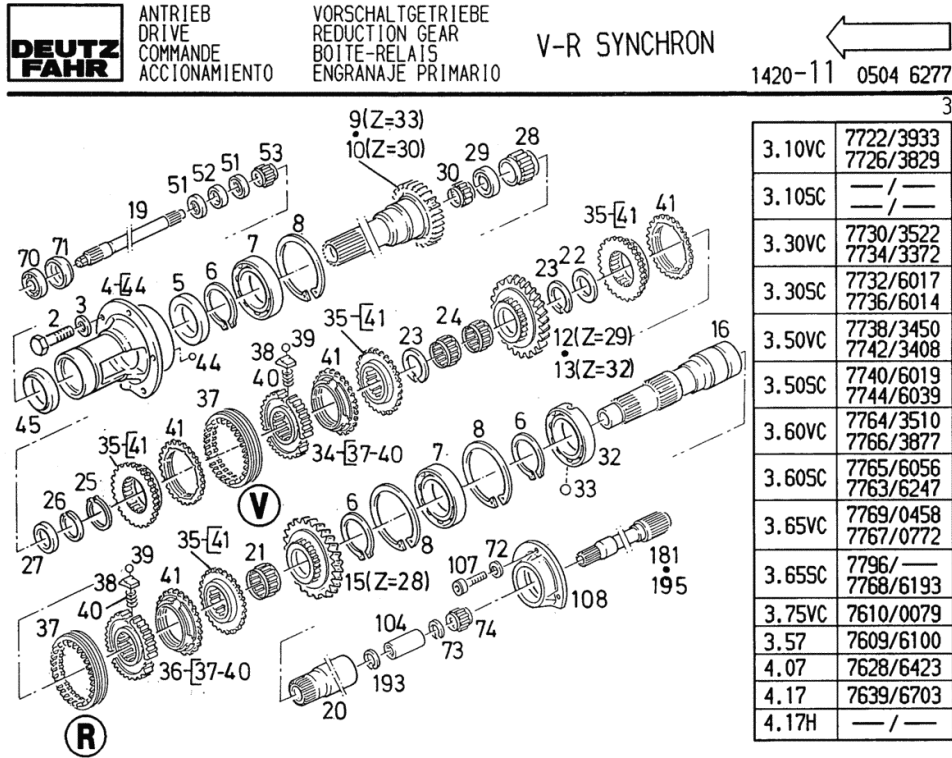


Fig.	Code	QTY	Name
44	01116947	1	IF PART NO LONGER VORRAETIG SEIN SOLLTE, IST ERSATZ (ITEM35) CLUTCH (COMPL.) 04391044.
45	01178459	1	ball DIN 005401- 3 -MM-III
51	04376591	2	'o' ring H 002939-C 50X 58X 5-FPM
52	01179315	1	stop ring
53	01170686	1	H 002939-G 25X 32X 4-FPM75 bearing
70	01136432	1	H 004455-NK 25 X 29X17 ball bearing
71	02385450	1	DIN 000625- 6304-2RS 1 ring
72	01169689	3	washer H 002203- 8
73	01167223	1	circlip H 002259- 28X1,2
74	01168762	1	roller cage H 004455-NK 24 X 28X13
104	04311914	1	pipe fitting
107	01126918	3	screw m 8 p.1.25 x 20 DIN 000912- M 8 X 20 - 8.8-A4 C
108	04311916	1	cover
181	04375614	1	transmission shaft - FOR ROAD PTO SHAFT
193	01107811	1	circlip DIN 000472- 21X1
195	04390299	1	transmission shaft

Section: GEARBOX, CLUTCH
GEAR SHIFT - CREEP SPEED

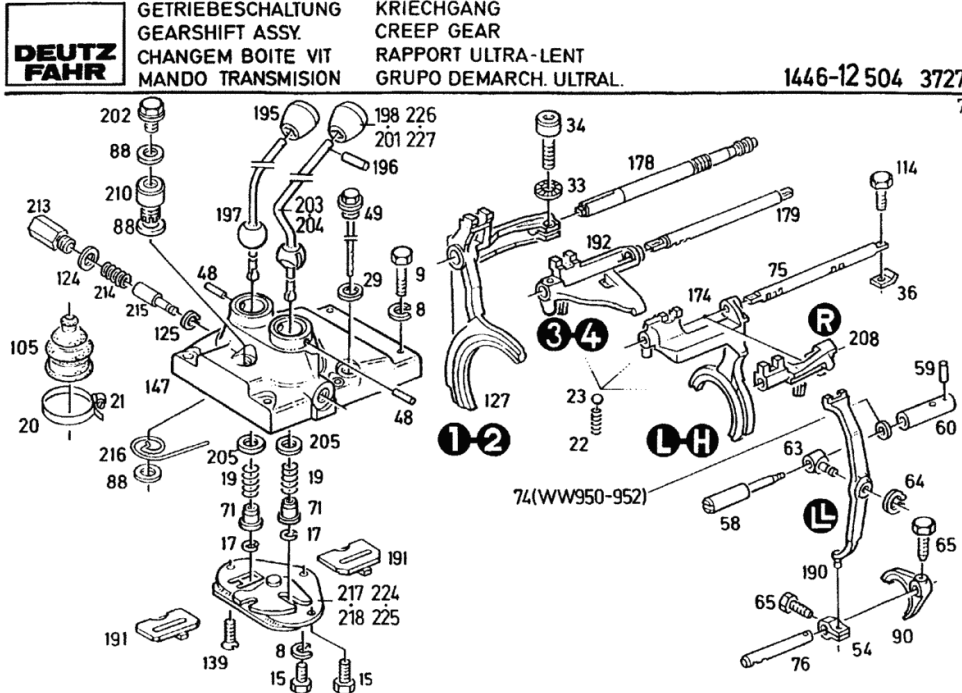


Fig.	Code	QTY	Name
105	03391929	2	bellows
114	01139979	4	screw DIN 006921- M 6 X 18- 8.8-A4C
124	03393258	1	'o' ring
125	01107805	1	circlip DIN 000472- 16X1
127	02384236	1	fork
139	01139538	2	screw DIN 007991-M 8 X 16- 8.8 -A4C
147	04301126	1	cover CREEP SPEED
174	02386002	1	fork
178	04360666	1	rod
179	04323401	1	rod
190	04379702	1	gear lever
191	04348214	2	latch
192	04355626	1	fork
195	04366412	1	knob GEAR
196	01123854	2	pin ISO 008742- 5 X 20-ST
197	04356253	1	gear lever GEAR
198	04366414	1	knob
201	04366416	1	knob
202	01133631	1	plug DIN 000910- M18X1,5 -ST-A4C
203	04361993	1	gear lever WITHOUT CREEP SPEED GROUP
204	04361991	1	gear lever CREEP SPEED GROUP
205	04358937	2	washer
208	04360922	1	fork
210	04361960	1	screw
213	04361895	1	spring holder
214	04361893	1	spring
215	04361963	1	pin
216	04361889	1	spring
217	04362945	1	throttle slide WITHOUT CREEP SPEED 4 GANG
218	04362944	1	throttle slide

Section: GEARBOX, CLUTCH

GEAR SHIFTING - DUO-P.T.O. SHAFT

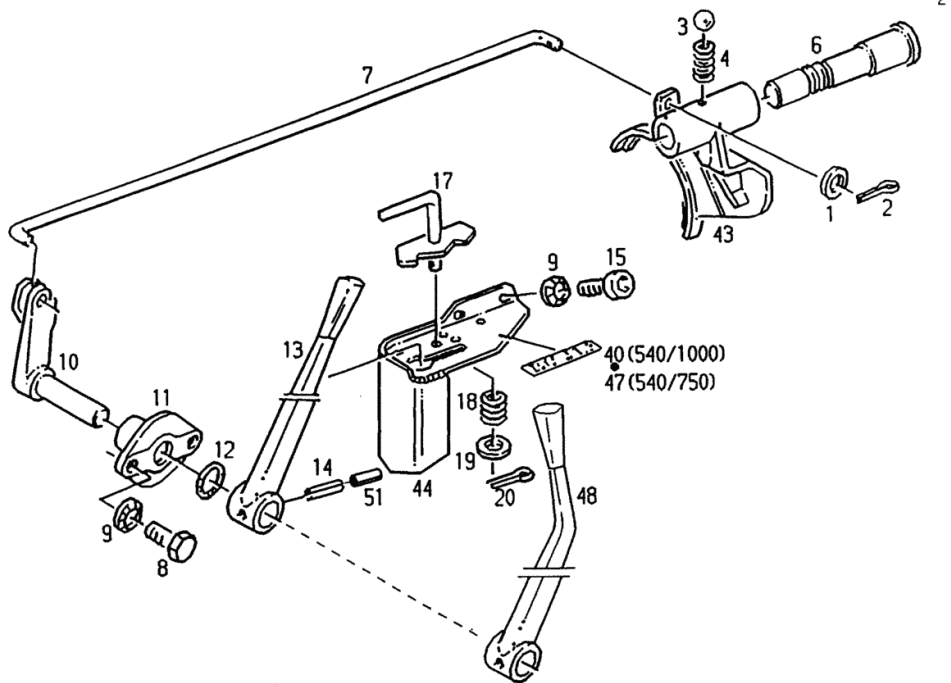


SCHALTUNG
SWITCH GEAR
DISPOS. COMMANDE
MANDO/CAMBIO/CONEXION

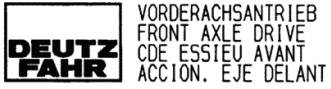
DUO-ZAPFWELLE
TWO-SP. P.T.O. SHAFT
P.D.F. 2 REGIMES
TOMA FUERZA DUO

1446-14 0504 3547

Fig.	Code	QTY	Name
1	01107550	1	washer DIN 000433-10,5-140HV-A4C
2	01132623	1	split pin DIN 000094- 3,2X 18-ST-A4C
3	01116956	1	ball DIN 005401- 8 MM-III
4	03386770	1	spring
6	02309180	1	pin
7	02309183	1	rod
8	01112322	2	screw m 8 p.1.25 x 20 ISO 004017-M 8 X 20 - 8.8-A4C
9	01169689	2	washer H 002203- 8
10	02309178	1	shaft
11	03393176	1	bushing
12	01166006	1	'o' ring H 002927- 16 X 3 -NBR-1-60
13	02309181	1	gear lever
14	01115454	1	pin 6 x 28 ISO 008752- 6 X 28
15	01102193	2	screw m 8 x 16 DIN 000912- M 8 X 16 - 8.8-A4 C
17	02307739	1	sleeve
18	01219657	1	spring
19	01107548	1	washer 8.4 DIN 000433- 8,4-140HV-A4C
20	01106407	1	split pin DIN 000094- 2 X 14-ST-A4C
40	04337185	1	advertising material
43	04350114	1	fork
44	04356899	1	throttle slide
47	04379023	1	advertising material
48	04388354	1	gear lever
51	01115426	1	pin ISO 008752- 4 X 28

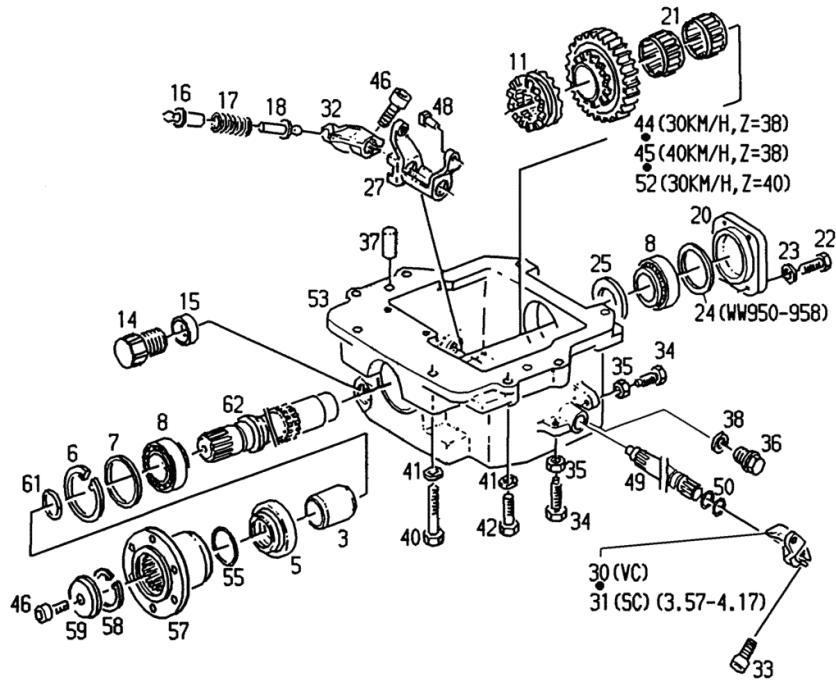


Section: GEARBOX, CLUTCH
FRONT-WHEEL DRIVE



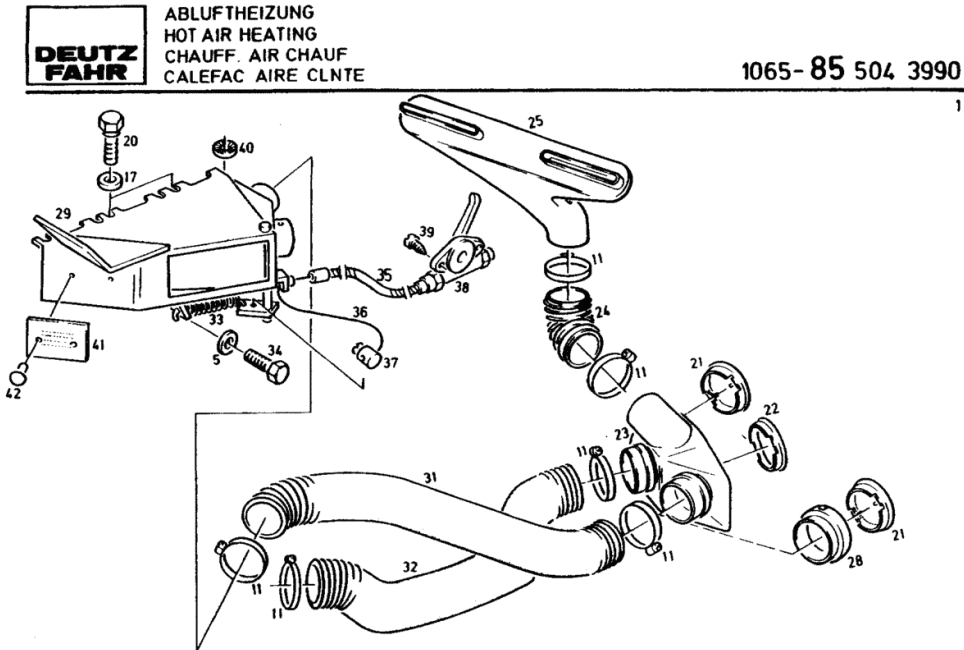
1420-26 0504 5018

Fig.	Code	QTY	Name
42	01112538	1	screw m 12 x 35, d933 DIN 000933-M12 X 35 - 8.8-A4C
44	04351145	1	gear
45	04351167	1	gear
46	01174716	1	screw H 002091- 912-M 8 X 20- 10.9 A4C-MK-1,5D-BL
48	04358791	2	ring
49	04358792	1	shaft
50	01212509	2	'o' ring H 002927- 20 X 3 -FPM-1-70
52	04358626	1	gear
53	04388868	1	box
55	01176112	1	'o' ring H 002927- 42 X 2 -FPM-1-70
57	04361968	1	flange
58	01151387	1	circlip DIN 007993-B 30
59	04402282	1	cover
61	01212745	1	'o' ring H 002927- 32 X 2 -ACM-1-70
62	04365477	1	shaft
950	04355430	0	shim 0,55 MM
951	04349153	0	shim 0,60 MM
952	04355431	0	shim 0,65 MM
953	04349154	0	shim 0,70 MM
954	04355432	0	shim 0,75 MM
955	04349155	0	shim 0,80 MM
956	04355433	0	shim 0,85 MM
957	04349156	0	shim 0,90 MM
958	04355434	0	shim 0,95 MM



EXHAUST AIR HEATING

Fig.	Code	QTY	Name
5	01107101	1	washer 8.4 DIN 000125-A 8,4-140HV-A4C
11	01174133	4	hose clip H 003461-B13 C 60- 80-W1
17	01119810	4	washer 6.4 DIN 009021- 6,4-100HV-A4C
20	01112240	2	screw m 6 x 12 ISO 004017-M 6 X 12 - 8.8-A4C
21	04354586	1	blower
22	04354587	1	ring
23	04356567	1	distr. box
24	04355871	1	flexible hose
25	04356569	1	nozzle
28	04355001	2	tongue
29	04300199	1	duct
31	04355870	1	flexible hose
32	04355869	1	flexible hose
33	02381730	1	spring
34	01112299	1	screw m 8 x 12, d933 ISO 004017-M 8 X 12 - 8.8-A4C
35	04301013	1	crate
36	04301012	1	crate
37	02339138	1	pipe fitting
38	04353137	1	lever
39	01123045	2	washer b4,8x16 d7981 ISO 007049-ST4,8X16 -C-H-A4C
40	01167194	1	washer H 002203- 6
41	04356614	1	plate
42	01176113	2	rivet H 002416-C3,2X 6,5-AL



Section: HITCH
DRAWBAR COUPLING AUTOM.

DEUTZ FAHR ANHAENGEKUPPLUNG AUTOM.
 TRAILER HITCH AUTOM.
 CHAPE D'ATTELAGE AUTOM.
 ACOPLAM. DE ENGANCH AUTOM.

1065-62 0504 6175

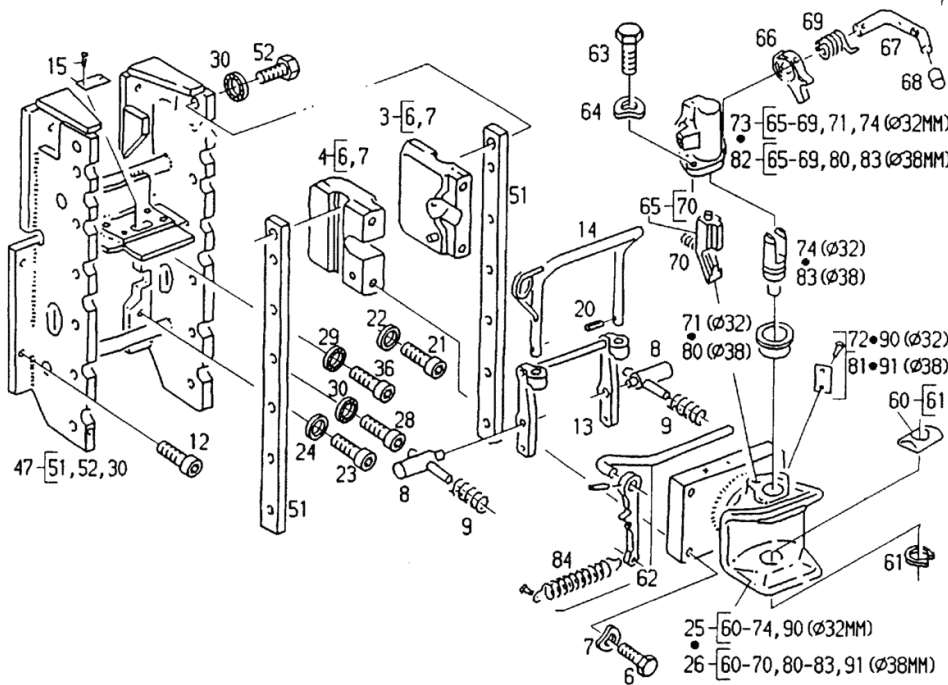


Fig.	Code	QTY	Name
63	01112418	2	screw m 10 x 25, d933 DIN 000933-M10 X 25 - 8.8-A4C
64	01107286	2	washer b10 d137 DIN 000137-B10-FST-A4C
65	04383526	1	spacer WITH PIN+SAFETY SCREWS
66	04383527	1	none
67	04383528	1	lever
68	04383529	1	knob
69	04383530	1	spring
70	04383531	1	spring
71	04355112	1	spacer
72	04381194	1	plate
73	04383522	1	socket
74	04383524	1	pin
80	04355487	1	sleeve
81	04381195	1	plate
82	04383532	1	socket
83	04383533	1	pin
84	04391179	1	spring
90	04383742	1	plate FOR 10 TO.
91	04383743	1	plate FOR 10 TO.

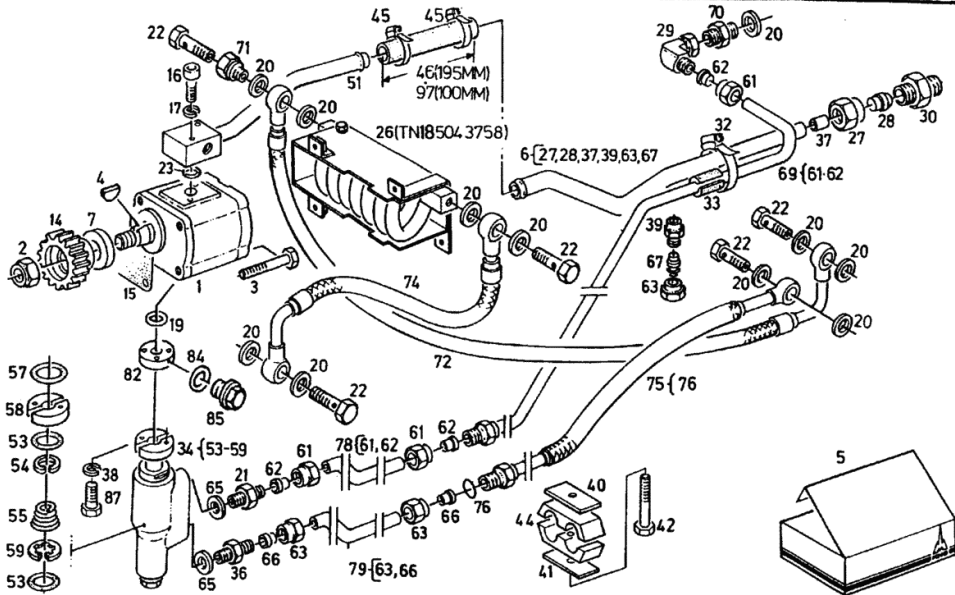
Section: HYDRAULIC SYSTEM
OIL SUPPLY - HYDR. STEERING 19 CCM/H

Fig.	Code	QTY	Name
74	04364989	1	tube
75	04364988	1	tube
76	01162327	1	ring H 002927- 13 X 2 -FPM-1-70
78	04370414	1	tube
79	04370416	1	tube
82	04370427	1	flange
84	01176577	1	'o' ring H 002927- 8 X 1,8 -FPM-1-70
85	04368482	1	plug
87	01102664	4	screw m 6 x 45 ISO 004014- M 6 X 45 - 8.8-A4 C
97	01179863	1	rubber tube H 000651- 28X 38X 100



ÖLVERSORGUNG HYDR. LENKUNG
 OIL SUPPLY HYDR. STEERING SYST.
 ALIMENTATION HUILE DIRECTION HYDR-ASSISTEE 19 CCM/U
 ABASTECIM. ACEITE DIRECC. HIDRAUL.

1965-01504 5022



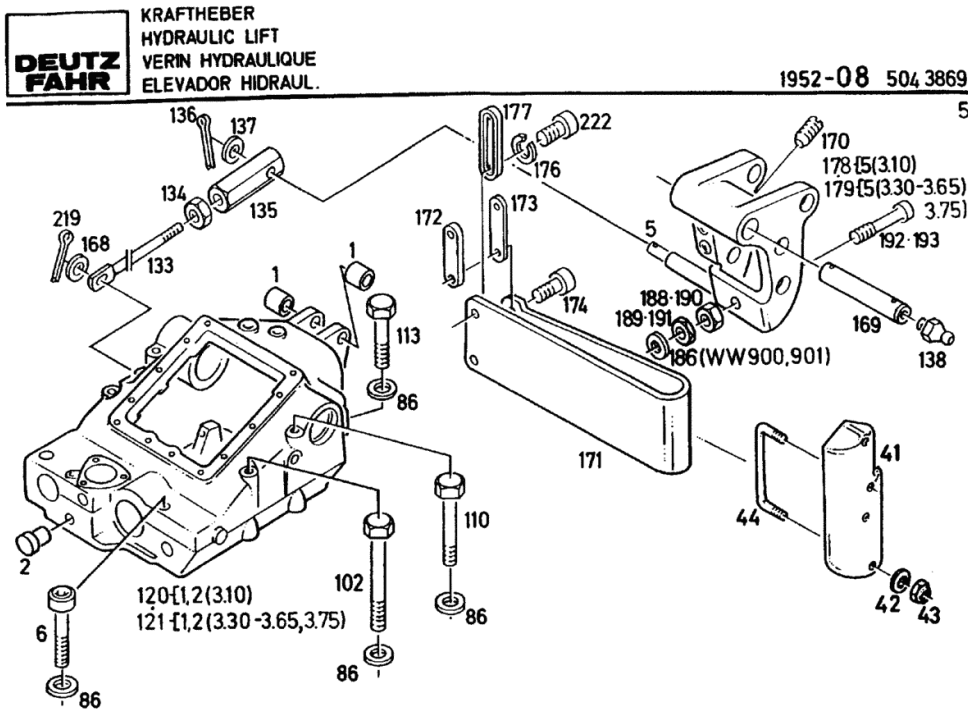
Section: HYDRAULIC SYSTEM
POWER LIFT

Fig.	Code	QTY	Name
1	02312166	2	bushing
2	01165829	1	stop H 000711-B22
5	03401387	1	rod
6	01124781	2	screw DIN 000912- M14 X130 -10.9-A4 C
41	04355241	1	tube
42	01107095	2	washer 6.4 DIN 000125-A 6,4-140HV-A4C
43	01133500	2	nut vm 6 d980 DIN 000980-VM 6 - 8-A4C GEWAC HST
44	04355252	1	bracket
86	01174739	10	washer H 000995-14,5X28X 6- 8.8 -A4C
102	01136931	2	screw DIN 000931- M14 X185 - 10.9-A -A4C
110	01137093	2	screw DIN 000931- M14 X220 - 10.9-A -A4C
113	01122411	2	screw DIN 000931- M14 X120 - 10.9-A 4C
120	04333874	1	hydraulics housing
121	04333875	1	hydraulics housing
133	04310460	1	rod
134	01112852	1	nut m10x1 d934 DIN 000934-M10 X1 - 8-A4C
135	03401303	1	nut
136	01132628	1	split pin 3.2 x 25 DIN 000094- 3,2X 25-ST-A4C
137	01107105	1	washer 10.5 DIN 000125-A10,5-140HV-A4C
138	01168227	2	pipe fitting H 003360-SB 8
168	01107548	20	washer 8.4 DIN 000433- 8,4-140HV-A4C
169	04309907	1	shaft
170	02314780	1	pin
171	03400133	1	spring
172	03400134	1	link
173	03400143	1	shim

Section: HYDRAULIC SYSTEM
POWER LIFT

**DEUTZ
FAHR** KRAFTHEBER
HYDRAULIC LIFT
VERIN HYDRAULIQUE
ELEVADOR HIDRAUL.

1908-08504 3874

3

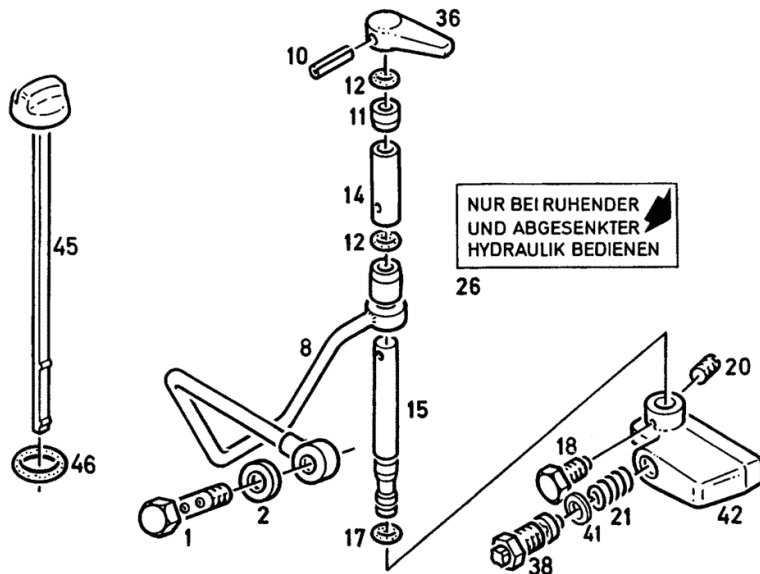


Fig.	Code	QTY	Name
1	03315353	1	pipe union
2	01118659	1	'o' ring DIN 007603-A 10 X 13,5-CU
8	02306525	1	bushing
10	01115440	1	stop ISO 008752- 5 X 32
11	03401320	1	bushing
12	01160039	2	'o' ring H 002927- 16 X 2 -NBR-1-70
14	02306602	1	sleeve
15	02306574	1	shaft
17	01169761	1	'o' ring H 002927- 10 X 2 -NBR-1-70
18	01108138	1	screw DIN 000561-AM 8X 20 - 8.8-A4C
20	01107969	1	pin ISO 004766-M 6 X 6-14H
21	03401282	1	spring
26	01210622	1	number plate OPTION ITEM... 950-955
36	04340091	1	knob
38	04343366	1	valve
41	01213282	1	gasket H 002905-U 12,7X18 X1,5 -W1
42	04346237	1	latch
45	04338011	1	dipstick
46	01170587	1	'o' ring H 002927- 28 X 3,5 -NBR-1-60
950	01210643	1	number plate DUTCH
951	01210644	1	number plate FRENCH
952	01210645	1	number plate ITALIAN
953	01210646	1	number plate SPANISH
954	01210647	1	number plate ENGLISH

THREE-POINT COUPLING - QUICK-ACTION COUPLER

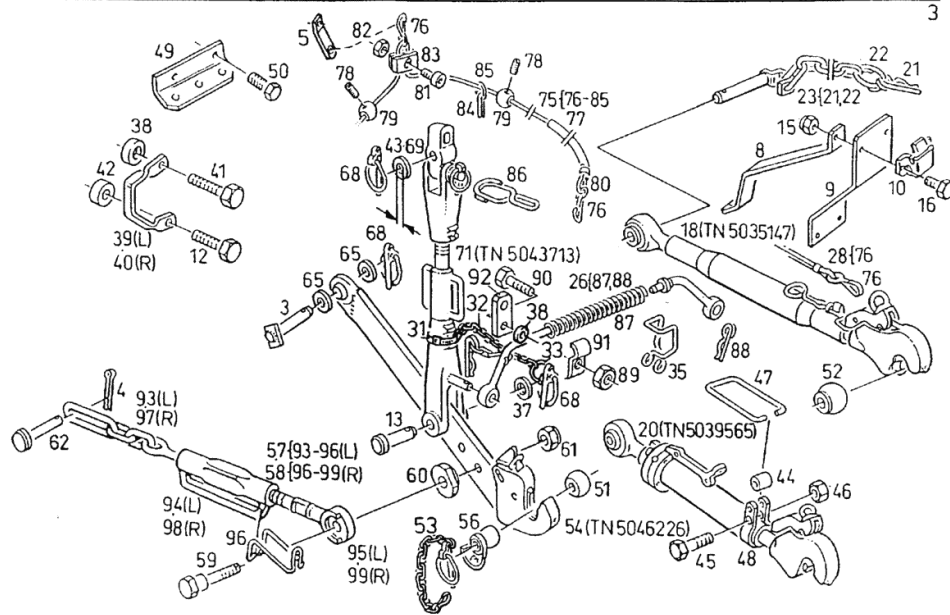
Fig.	Code	QTY	Name
82	01112803	1	nut m 5, d934 ISO 004032-M 5 - 8-A4C
83	04003558	1	bracket
84	01122071	1	split pin DIN 000094- 5 X 28-ST-A4C
85	01116920	1	ring DIN 005296-A25X2,6-ST -FE/ZN1 2CC
86	04360233	2	support
87	04309584	1	spring
88	04337240	2	roll pin
89	01102659	1	nut m 10, d934 DIN 000934-M10 - 8-A4C
90	01112418	1	screw m 10 x 25, d933 DIN 000933-M10 X 25 - 8.8-A4C
91	01123880	1	hose clip DIN 001592-15,5 -FE/ZN12CC
92	04320867	1	plate
93	04365092	1	chain link
94	04335860	1	tensioner
95	04335859	1	chain screw
96	04339639	1	spring
97	04368101	1	chain link
98	04368093	1	tensioner
99	04368092	1	chain screw



DREIPUNKTKUPPLUNG
3 POINT LINKAGE
ATELAGE TROIS PTS
ACOPLAM 3 PUNTOS

SCHNELLKUPPLER
QUICK COUPLER
CHAPE D ATELAGE RAPIDE
ACOPLE RAPIDO

1952 -11 504 6221



INTERMEDIATE DEVICE DEUTZ SINGLE-ACTING

DEUTZ FAHR ZWISCHENGERÄT
INTERMEDIATE UNIT
DISTRIBUTEUR INT.
APTO MANDO INTERM.

DEUTZ EINFACHWIRKEND
SINGLE-ACTING
A SIMPLE EFFET
DE SIMPLE EFFECTO

1805-40504 3745

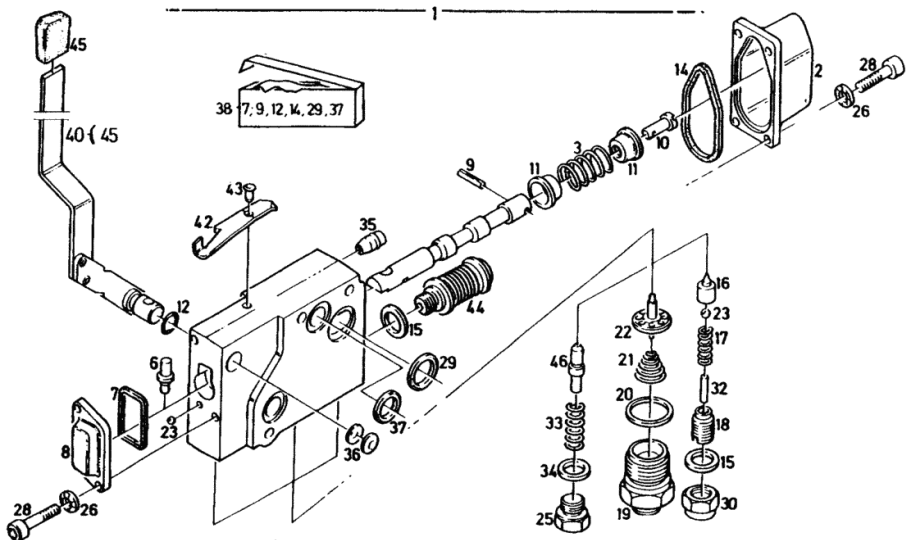


Fig.	Code	QTY	Name
1	04308866	1	distributor
2	03401348	1	cover
3	03401343	1	spring
6	02311920	1	pin
7	03401351	1	gasket
8	03401349	1	cover
9	01115405	1	pin
10	03401340	1	ISO 008752- 3 X 12
11	03401345	2	pin
12	01169761	1	cup
14	03401350	1	'o' ring
15	01118688	1	H 002927- 10 X 2 -NBR-1-70
16	03401358	1	gasket
17	03401360	1	ring 14x17
18	03401359	1	DIN 007603-A 14 X 18 -CU
19	04300354	1	valve
20	01122947	1	spring
21	03401356	1	pin
22	04308356	1	tongue
23	01123958	1	'o' ring
25	01118956	1	'o' ring
26	01167193	1	DIN 007603-A 27 X 32 -CU
28	01110487	1	spring
29	04303433	1	head
30	01102346	1	ball
32	01101402	2	DIN 005401- 4,500MM-III
33	03401344	1	screw
34	01118673	1	DIN 007604-AM12X1,5 -ST-A4C
35	04309895	6	ring
36	01102347	6	H 002203- 5
37	04305924	6	screw
		6	DIN 000912- M 5 X 16 -10.9-A4 C
		1	'o' ring
		1	nut
		1	H 002159- M14X1,5-8-A4C
		1	cylindrical plug
		1	ISO 008734- 4 X 14-A-ST
		1	spring
		1	'o' ring
		1	DIN 007603-A 12 X 15,5-CU
		1	throttle
		2	washer
		2	DIN 000470- 14-ST-A4C
		2	'o' ring

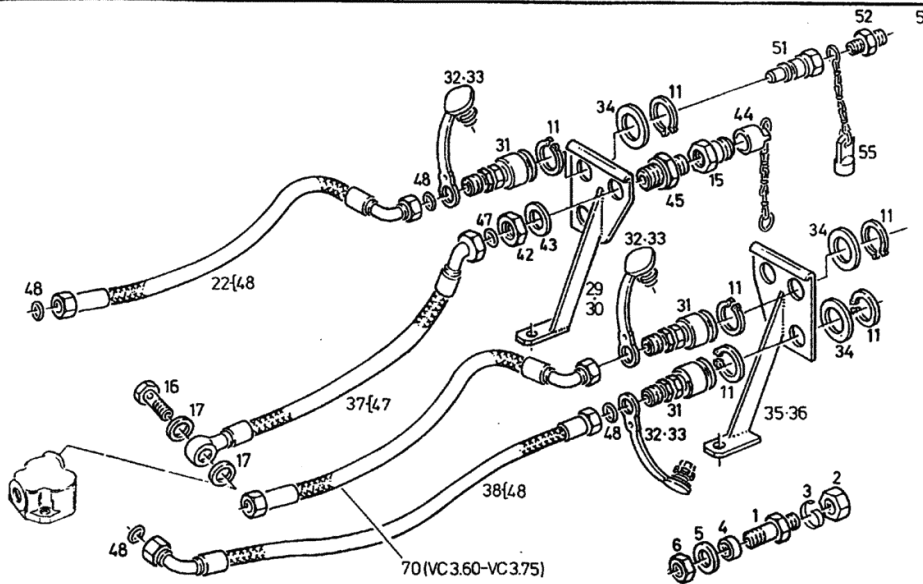
Section: HYDRAULIC SYSTEM
HYDR. CONTROL REAR - LEADS

Fig.	Code	QTY	Name
47	01162327	1	ring H 002927- 13 X 2 -FPM-1-70
48	01160044	1	'o' ring 10x2 H 002927- 10 X 2 -NBR-1-80
51	04363183	1	pin
52	02373279	1	power control
55	02319366	1	dust guard
70	04331187	1	tube



HYDR. STEUERUNG HECK LEITUNGEN
 HYDRAULIC CONTROL REAR PIPES
 CONTROLE HYDRAUL. AR CONDUITES
 MANDO HIDRAUL. ATRAS TUBERIAS

1805 - 88 504 3911



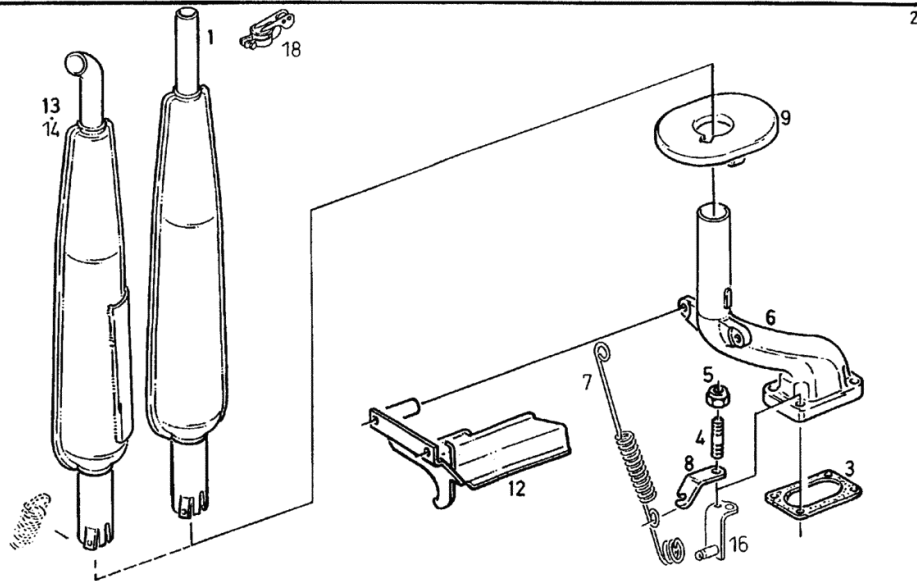
Section: MOTOR SUPPLY
EXHAUST UPWARDS

Fig.	Code	QTY	Name
1	04354776	1	silencer FINNISH AND SWEDISH 1240 MM
3	04378888	1	gasket
4	01113399	4	screw DIN 000939-M 8 X 35 - 8.8-A4C
5	01136452	4	nut vm 8 d980 DIN 000980-VM 8 - 8-A4C GEWAC HST
6	04349699	1	tongue
7	04373259	1	spring
8	04356074	1	console
9	04379371	1	cover
12	04354417	1	lamination
13	04346150	1	silencer 1056 MM
14	04360532	1	silencer WITH HEAT PROTECTION PLATE
16	04371810	1	support
18	04376737	1	valve



AUSPUFF NACH OBEN
 EXHAUSE WITH OUTLET STACK
 ECHAPEMENT DIRIGE VERS LE HAUT
 ESCAPE HACIA ARRIBA

1065-44 504 4379



CLICK HERE TO **DOWNLOAD** THE COMPLETE MANUAL

- Thank you very much for reading the preview of the manual.
- You can download the complete manual from: www.heydownloads.com by clicking the link below



- Please note: If there is no response to CLICKING the link, please download this PDF first and then click on it.

CLICK HERE TO **DOWNLOAD** THE COMPLETE MANUAL