

D07 6207

BRAKE

Control assy./service brake, Parking brake

OPERATION - PARKING BRAKE..... 13.29.1

HAND BRAKE..... 13.29.2

Service brake, Contral assy./service brake

SERVICE BRAKE..... 13.30.24

OPERATION - P.T.O. SHAFT - REAR..... 13.30.31

OPERATION - P.T.O. SHAFT - REAR..... 13.30.32

CLICK HERE TO **DOWNLOAD** THE COMPLETE MANUAL

- Thank you very much for reading the preview of the manual.
- You can download the complete manual from: www.heydownloads.com by clicking the link below



- Please note: If there is no response to CLICKING the link, please download this PDF first and then click on it.

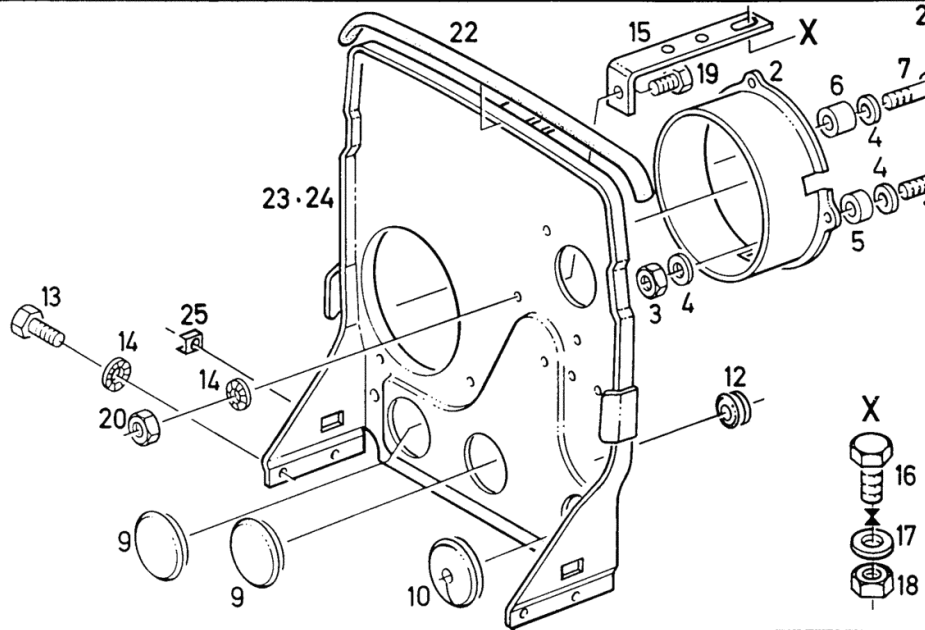
CLICK HERE TO **DOWNLOAD** THE COMPLETE MANUAL

PARTITION

**DEUTZ
FAHR** TRENNWAND
BULKHEAD
CLOISON DE SEPARATION
TABIQUE DE SEPARACION

1005 - 38 503 5049

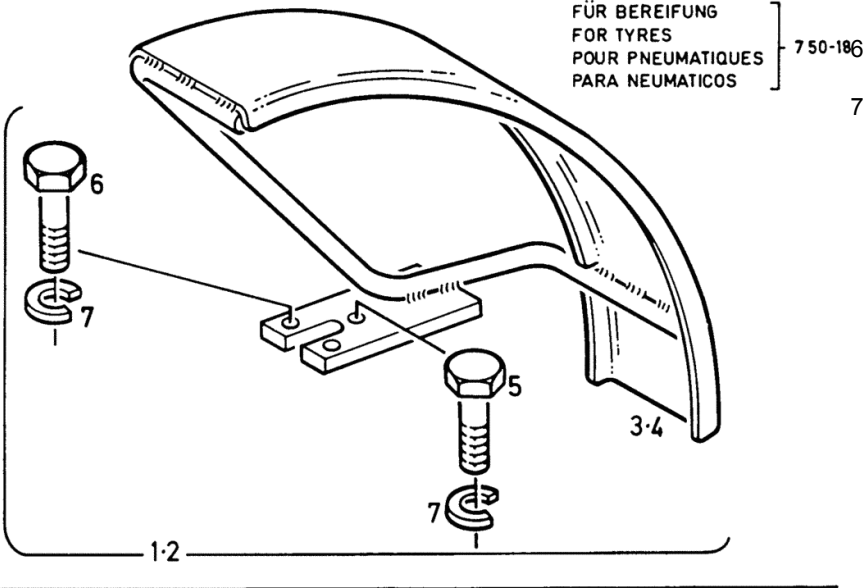
Fig.	Code	QTY	Name
2	02304564	1	ring
3	01112803	3	nut m 5, d934 ISO 004032-M 5 - 8-A4C
4	01107089	6	washer 5.3 DIN 000125-A 5,3-140HV-A4C
5	02316048	2	spacer
6	02319551	1	spacer
7	01105593	2	screw m 5x25 d84 ISO 001207- M 5 X 25- 4.8- A4 C
9	02311488	2	cover
10	02321018	1	cover
12	01167427	1	rubber bushing H 002928-D17 X24 X 2 -GI DEUT Z 1
13	01112299	4	screw m 8 x 12, d933 ISO 004017-M 8 X 12 - 8.8-A4C
14	01169689	5	washer H 002203- 8
15	02304514	1	pin
16	01103316	1	screw m 6 p.1.0 x 16 ISO 004017-M 6 X 16 - 8.8-A4C
17	01167194	1	washer H 002203- 6
18	01112813	1	nut m 6 DIN 000934-M 6 - 8-A4C
19	01112341	1	screw m 8 x 30, d933 ISO 004017-M 8 X 30 - 8.8-A4C
20	01112824	1	nut m 8, d934 ISO 004032-M 8 - 8-A4C
22	01388697	0	gasket H 846471-11-PN 1 580 MM
23	04333173	1	division FOR DRY AIR FILTER
24	04333174	1	division FUER OELBADFILTER
25	01167183	2	nut H 002189-M 8/8



Section: BUILT-ON ACCESSORIES
WING FRONT

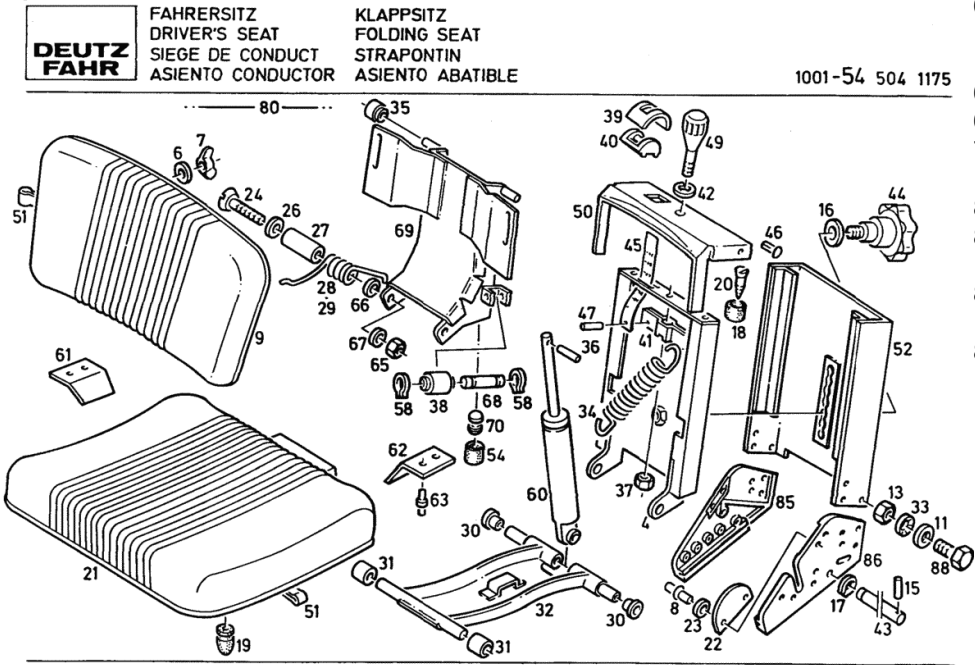
Fig.	Code	QTY	Name
1	02372956	1	fender RIGHTS
2	02372957	1	fender LEFT
3	02372959	1	fender RIGHTS
4	02372960	1	fender LEFT
2	5	1	screw m 10 x 80 DIN 000931- M10 X 80 - 8.8-A4 C
	7	2	screw m 10 x 70, d933 DIN 000933-M10 X 70 - 8.8-A4C
	7	3	washer 10.5 DIN 007980-10-FST-A4C

DEUTZ FAHR KOTFLÜGEL VORN GETR. LENKACSE
 FRONT MUDGUARDS, STANDARD DRIVEN AXLE
 AILES AV ESSIEU DIRECTEUR SIGE 3500
 GUARDABARROS DELANTEROS EJE MOTRIZ 1002-52 503 5125



Section: BUILT-ON ACCESSORIES
DRIVER'S SEAT

Fig.	Code	QTY	Name
			DIN 000980-VM10 - 8-A4C GEWAC HST
			VM 10 DIN 980-8 A4C GEWACHST
66	01107105	2	washer 10.5
			DIN 000125-A10,5-140HV-A4C
			A 10,5 DIN 125-ST50 A4C
67	01107110	2	washer 13.5
			DIN 000125-A13 -140HV-A4C
			A 13 DIN 125-ST50 A4C
68	02374948	2	pin
69	02386974	1	controle panel
70	04306971	2	rivet
			H 002416-A4,8X15,1-AL
80	04355862	1	seat
85	04348015	1	brake support
			RIGHTS
86	04348016	1	brake support
			LEFT
88	01112322	6	screw m 8 p.1.25 x 20
			ISO 004017-M 8 X 20 - 8.8-A4C
			M 8X20 DIN 933-8.8 A4C



Section: BUILT-ON ACCESSORIES
ROPS

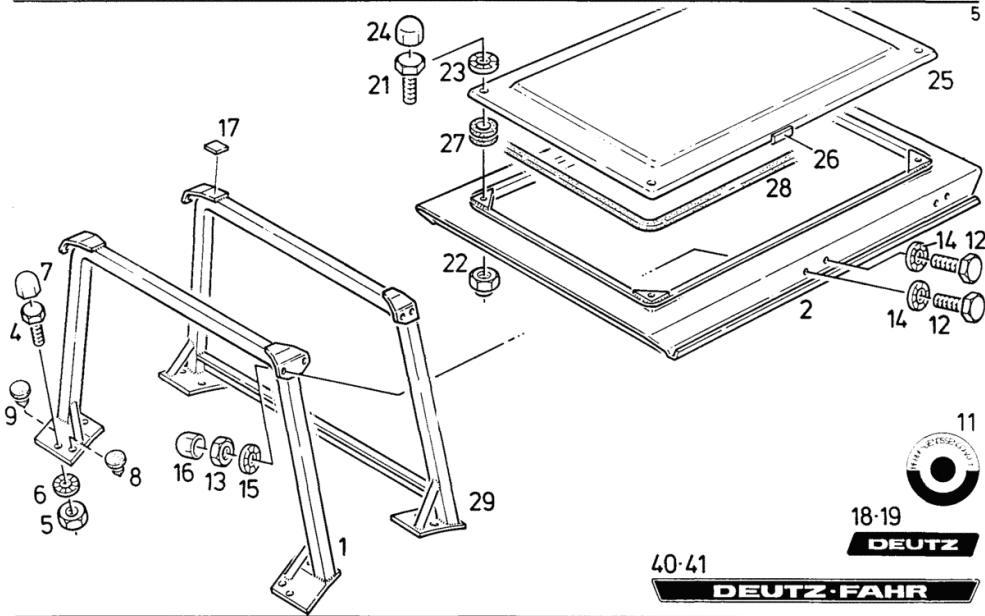
Fig.	Code	QTY	Name
41	04342986	1	LEFT plate RIGHTS



SCHUTZRAHMEN
SAFETY FRAME
CADRE PROTECTEUR ANTI -EJECTION
BASTIDOR SALVAVIDAS

M 901 KAT. II

1005-61 503 5260



D07 6207

ELECTRIC AL SYSTEM

Electrical equipment, Switch box w. instruments, Pilot light, Screen washing system, Headlight, Lights

ELECTRICAL EQUIPMENT FRONT.....	18.49.2
CONSOLE.....	18.49.4
TIMER.....	18.49.5
INDICATOR LIGHT.....	18.49.6
LIGHTS FRONT.....	18.49.7
LIGHTS FRONT.....	18.49.8
CABLE HARNESS.....	18.49.9
TEMPERATURE DISPLAY.....	18.49.10
SPOTLIGHT.....	18.49.11
WORKING SPOTLIGHT.....	18.49.12
PROTECTIVE GRATING.....	18.49.17
LIGHTS FRONT.....	18.49.34
Tractormeter, Tachygraph	
TRACTOR METER.....	18.56.5

Section: ELECTRIC AL SYSTEM
CABLE HARNESS

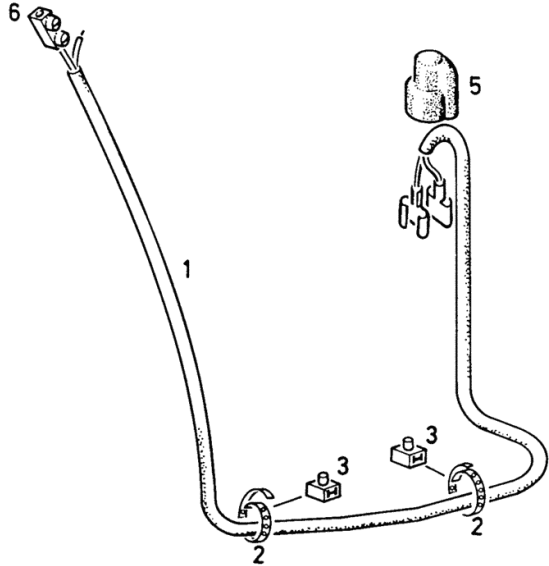
Fig.	Code	QTY	Name
1	02330763	1	cable
2	01164377	1	band
3	01164378	2	band H 007672-EB 4 -SW
5	02339819	1	tube
6	01169436	1	connection H 007677-F 6,3-1X48



KABELSATZ
SET OF WIRING
JEU DE CABLES
LOTE CABLE

ANLASSPERRE
START INTERLOCK
REENCHLER DEM EMP
BLOQUEO ARRANQUE

1001-49 503 5095

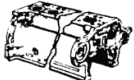


Section: ENGINE
LOCK

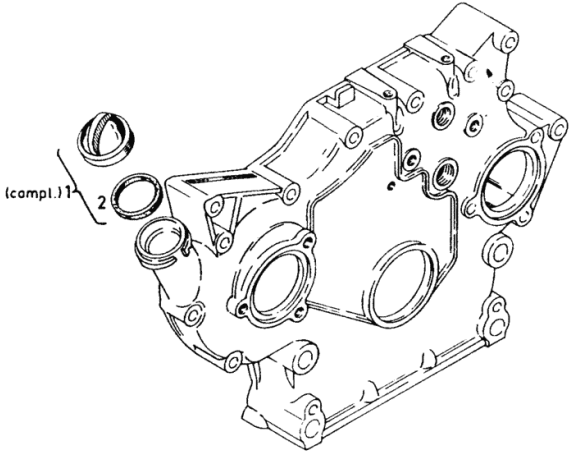
Fig.	Code	QTY	Name
1	01236291	1	plug
2	01236290	1	'o' ring



Öl Einfüllverschluss
Oil filler cap
Couvercle de cheminée de remplissage d'huile
Tapón de llenado de aceite



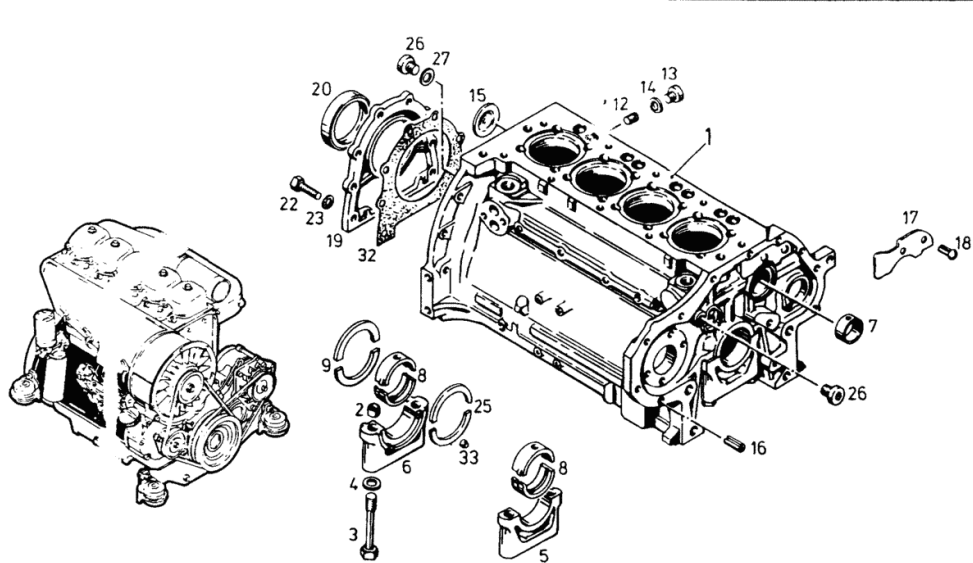
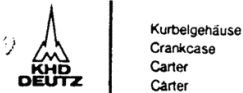
0150-01-500 3320



Section: ENGINE
CRANKCASE

Fig.	Code	QTY	Name
952	03362382	5	2. UNDERSIZE STEP 69.50 MM RD. (2.7362IN.) bearing
953	03362383	5	3. UNDERSIZE STEP 69.25 MM RD. (2.7263 IN.) bearing
954	03362384	5	4.UNDERSIZE STEP69.00 MM RD (2.7165 IN.) bearing
955	03362385	5	5.UNDERSIZE STEP68.75MMRD (2,7066IN.) bearing
956	02233347	5	6.UNDERSIZE STEP68.50 MM RD (2.6968IN.) bearing
960	02230177	1	F.INSIDE(69.75MM RD) AND F. OUTSIDE (75.50MM RD) shim
961	02230178	1	1. OVERSIZE 3.25 MM (0.1279IN.) shim
962	02230179	1	2. OVERSIZE 3.50 MM (0.1378 IN.) shim
963	02230180	1	3. OVERSIZE 3.75 MM (0.1476IN.) shim
970	02230166	1	4. OVERSIZE 4.00 MM (0.1575IN.) shim
971	02230167	1	1. OVERSIZE 3.25 MM (0,1279IN.) shim
972	02230168	1	2. OVERSIZE 3.50 MM (0,1378 IN.) shim
973	02230169	1	3. OVERSIZE 3.75 MM (0.1476 IN.) shim
980	01016120	1	4.OVERSIZE STEP4.00 MM (0.1575IN.) compound

0150-01-503 4460



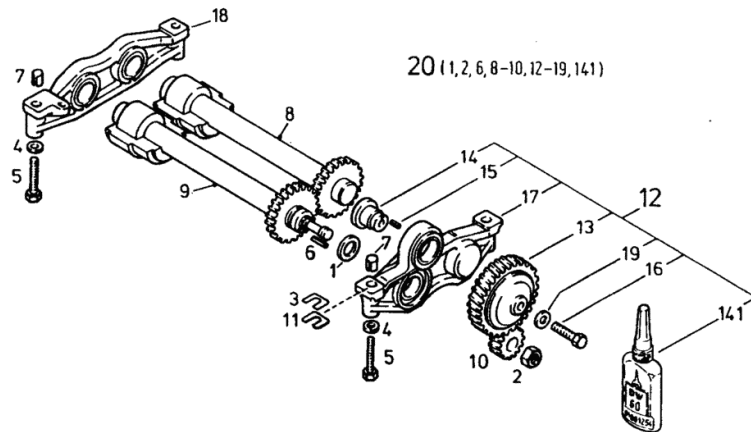
Section: ENGINE
COUNTERWEIGHTS

Fig.	Code	QTY	Name
1	02232166	1	stop
2	01104589	1	nut m 18 p.1.5 DIN 000936-M18X1,5 -22H-A-A4C
3	02135196	2	shim 0,10 MM
4	01216121	4	washer H 002308- 8,4X14X1,5
5	01112365	4	screw ISO 004017-M 8 X 60 - 10.9-A4 C
6	01115406	1	pin ISO 008752- 3 X 14
7	01174580	4	sleeve H 002341-B11X14
8	02237756	1	shaft
9	02237757	1	shaft
10	02236479	1	pinion
11	02236511	2	shim 0,30 MM
12	04150632	1	cover BESTEHT AUS POS. ... 13-17,19,141
13	02236476	1	gear wheel
14	02236507	1	pin
15	01115403	1	pin ISO 008752- 3 X 8
16	01139357	1	screw ISO 004017-M 8 X 40 - 10.9-OE LGESCHW
17	02236999	1	stop
18	02236983	1	none
19	01172303	1	washer H 002308- 8,4X15X3
20	02238382	1	gear BESTEHT AUS POS. ... 01,02,06,08-10,12-19,141
141	01001254	0	guard H 000699-DEUTZ DW 60- 50 ML



Massenausgleich - Getriebe
Mass - balancing gear
Mécanisme d'équilibrage des masses
Engranaje de compensación de masas

0150-05-503 4459

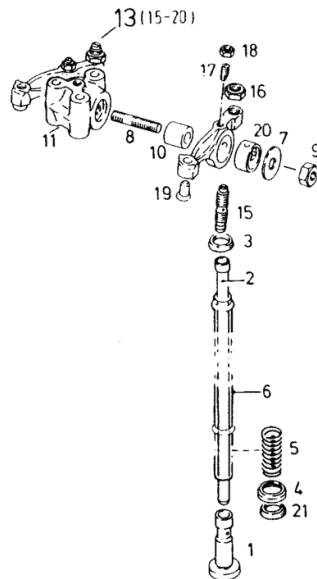


Section: ENGINE

CONTROL PARTS PIECE/CYL.-UNIT

Fig.	Code	QTY	Name
1	03371885	2	cap
2	02133985	2	rod
3	02232840	4	'o' ring
4	03371887	2	tube
5	03371876	2	spring
7	01216080	2	washer
8	01113476	2	screw m10x35 DIN 000939-M10 X 35 - 8.8-A4C
9	01102659	2	nut m 10, d934 DIN 000934-M10 - 8-A4C
10	02237665	2	axle
11	03371867	1	support
13	02236736	2	rocker WITH ITEM 15-20
15	03365861	1	register
16	01113148	1	nut m10x1 d936 DIN 000936-M10X1 -22H-A4C
17	03371845	1	cooling nozze
18	01112813	1	nut m 6 DIN 000934-M 6 - 8-A4C
19	02236578	1	cap
20	02237661	1	bushing
21	02232840	2	'o' ring

0150 - 11 - 0500 5867



Steuerungsteile
Timing gears
Organes de distribution
Partes de distribución

Stück / Zyl. - Einheit
Pieces / cyl. unit
Qté / cylindre
Cantid. / unid. cilind.

Section: ENGINE

INJECTION PUMP COMPONENT PARTS

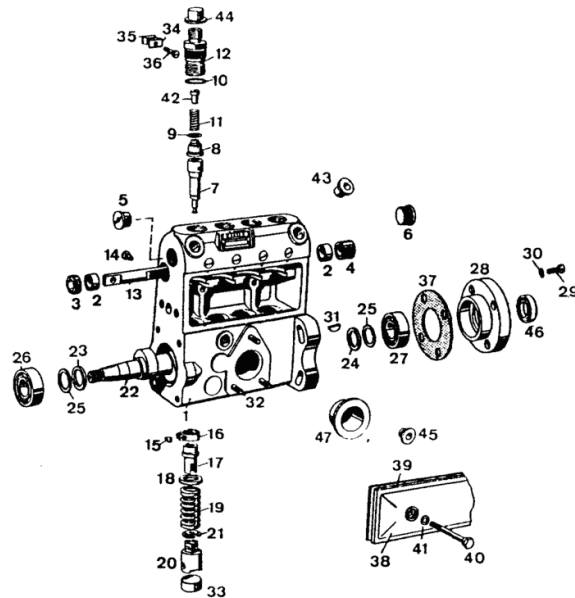
Fig.	Code	QTY	Name
1	01308510	1	pump casing
2	01288043	2	ring
3	01288143	1	ring
4	01288074	1	tappet casing
5	01288773	1	plug
6	01308386	1	screw
7	01308404	4	pumping element
8	02138223	4	valve
9	02138224	4	washer
10	03455813	4	ring
11	02103045	4	spring
12	01301995	4	support
13	01288282	1	rod
14	01288162	1	screw
15	01288164	4	screw
16	01288318	0	crown wheel mm 22.85 TIP CIRCLE D. 22.85 MM S. POS. 950
17	01288072	4	pin
18	01288023	4	cup
19	01308524	4	spring
20	01309919	4	cap
21	01288025	4	cup
22	01300130	1	camshaft
23	01288035	1	ring
24	01288035	1	ring
25	01287997	0	washer mm 0.10 0,10 MM S. POS. 951-957
26	01108937	1	ball bearing DIN 000615-L 17
27	01103690	1	ball bearing DIN 000625- 6203-Y
28	01298464	1	cover
29	01105540	4	screw ISO 001207- M 6 X 18- 4.8- A4 C
30	01119609	4	spring washer DIN 007980- 6-FST-A4C
31	01118324	1	key DIN 006888- 3 X 6,5
32	01288210	3	screw
33	01288088	4	tube
34	01298642	2	small block



Einzelteile zur Einspritzpumpe
Single parts for injection pump
Pièces détachées de pompe d'injection
Partes para bomba de inyección



0150-17 502 8912



INJECTION VALVE COMPONENT PARTS

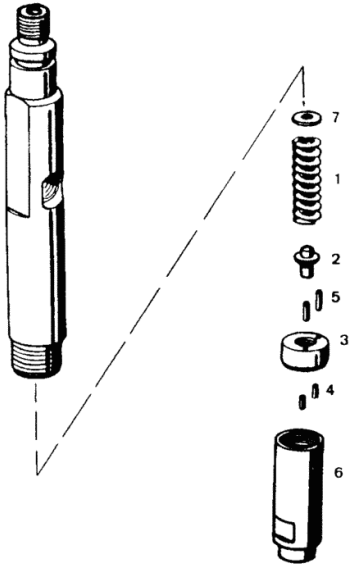
Fig.	Code	QTY	Name
970	01290471	0	7, 1,80 MM shim OPTION ITEM...
971	01290472	0	7, 1,84 MM shim OPTION ITEM...
972	01290473	0	7, 1,9 MM shim OPTION ITEM...
			7, 1,94 MM



Einzelteile zum Einspritzventil
 Single parts for injector
 Pièces détachées de injecteur
 Partes para inyector



0150-19-502 9023



1

Section: ENGINE
BLANKING PARTS

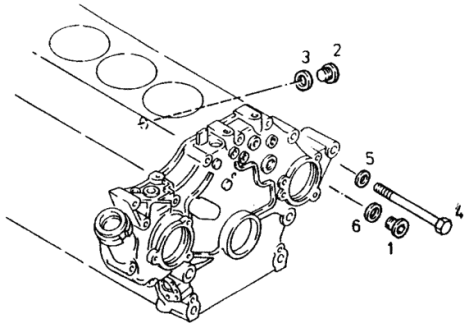
Fig.	Code	QTY	Name
1	01151441	1	screw DIN 000908-M18X1,5-ST-ZNPHRF
2	01110422	1	screw DIN 000908-M12X1,5-ST
3	01118673	1	'o' ring DIN 007603-A 12 X 15,5-CU
4	01111179	2	screw m 8 x 70, d931 ISO 004014- M 8 X 70 - 8.8-A4 C
5	01107101	2	washer 8.4 DIN 000125-A 8,4-140HV-A4C
	01118716	1	'o' ring 18 x 24 DIN 007603-A 18 X 24 -AL



Verschlusssteile
Locking parts
Pièces de fermeture
Partes de cierre

0150- 33-0500 3549 6

2

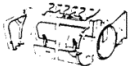


Section: ENGINE
AIR DUCTING LOWER PART

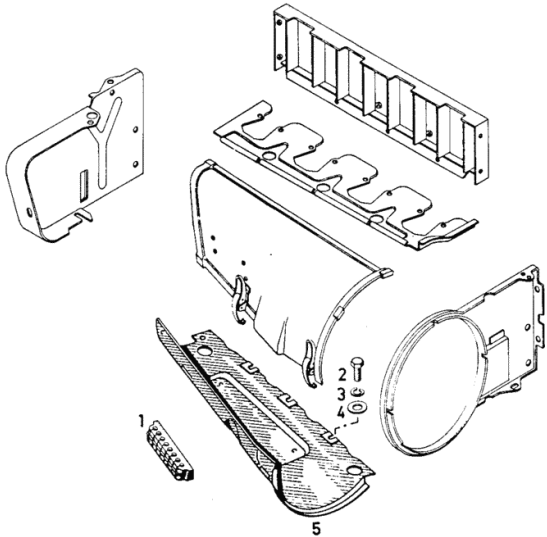
Fig.	Code	QTY	Name
1	02101802	1	rubber
2	01112299	2	screw m 8 x 12, d933 ISO 004017-M 8 X 12 - 8.8-A4C
3	01102799	2	washer 8, d128 DIN 000128-A 8 -FST -A4C
4	01107101	2	washer 8.4 DIN 000125-A 8,4-140HV-A4C
5	02101742	1	air duct



Luftführungsunterteil
Air cowling base
Partie inférieure hotte guidage d'air
Parte inferior de guia de aire



0150-40-502 2916



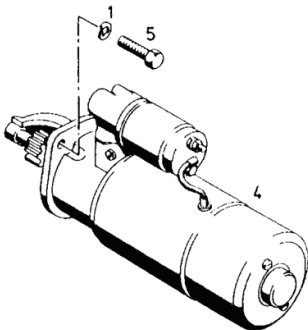
Section: ENGINE
STARTER

Fig.	Code	QTY	Name
1	01107105	3	washer 10.5 DIN 000125-A10,5-140HV-A4C
4	01178026	1	starter motor H 821970-F 16R12X 2,7KW EINZELTEILE S.TNL-BLATT 0150-44 502 9117
5	01112418	3	screw m 10 x 25, d933 DIN 000933-M10 X 25 - 8.8-A4C



Starter
Starter motor
Moteur de demarr
Arrancador

0150-44 - 503 7633



CLICK HERE TO **DOWNLOAD** THE COMPLETE MANUAL

- Thank you very much for reading the preview of the manual.
- You can download the complete manual from: www.heydownloads.com by clicking the link below



- Please note: If there is no response to CLICKING the link, please download this PDF first and then click on it.

CLICK HERE TO **DOWNLOAD** THE COMPLETE MANUAL

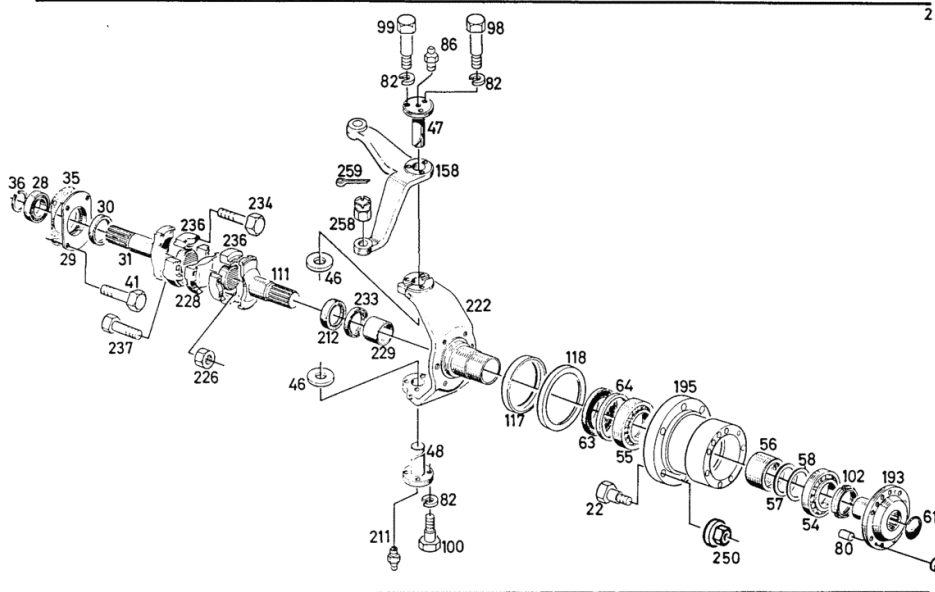
Section: FRONT AXLE, STEERING ASSEMBLY
DRIVEN FRONT AXLE

Fig.	Code	QTY	Name
22	02311164	12	pin
28	01108981	2	ball bearing DIN 000625- 6009
29	02311194	2	flange
30	02311160	2	'o' ring
31	02311140	1	axle shaft LEFT
35	02311155	2	gasket
36	01107760	2	circlip 45x1.75 DIN 000471- 45X1,75
41	02311163	8	screw
46	02311156	4	washer
47	02311197	2	pin
48	02311198	2	pin
54	01136410	2	roller bearing DIN 000720-302 13-A
55	01109964	2	roller bearing DIN 000720-302 14
56	02311203	2	piping
57	02311168	2	shim
58	02311167	4	shim A=0,2 MM.
61	02311159	2	cover
63	02311162	2	'o' ring
64	02311161	2	ring
80	02311177	10	pin
82	01107101	6	washer 8.4 DIN 000125-A 8,4-140HV-A4C
86	01168226	2	lubricator H 003360-SA10
98	01112466	2	screw m 10 x 65 DIN 000933-M10 X 65 - 8.8-A4C
99	01111315	4	screw m 10 x 55 DIN 000931- M10 X 55 - 8.8-A4 C
100	01112333	6	screw m 8 x 25, d933 ISO 004017-M 8 X 25 - 8.8-A4C
102	02316043	2	ring nut SELBSTSICHERND
111	02325790	2	shaft
117	02325795	2	spacer
118	02325796	2	spacer
131	01112418	16	screw m 10 x 25, d933 DIN 000933-M10 X 25 - 8.8-A4C



GETRIEBENE LENKACHSE NABENTRÄGER
 DRIVEN AXLE HUB CARRIER
 ESSIEU DIRECTEUR SUPPORT DE MOYEU SIGE 3500
 EJE MOTRIZ PORTA-CUBO

1005-28 503 5048

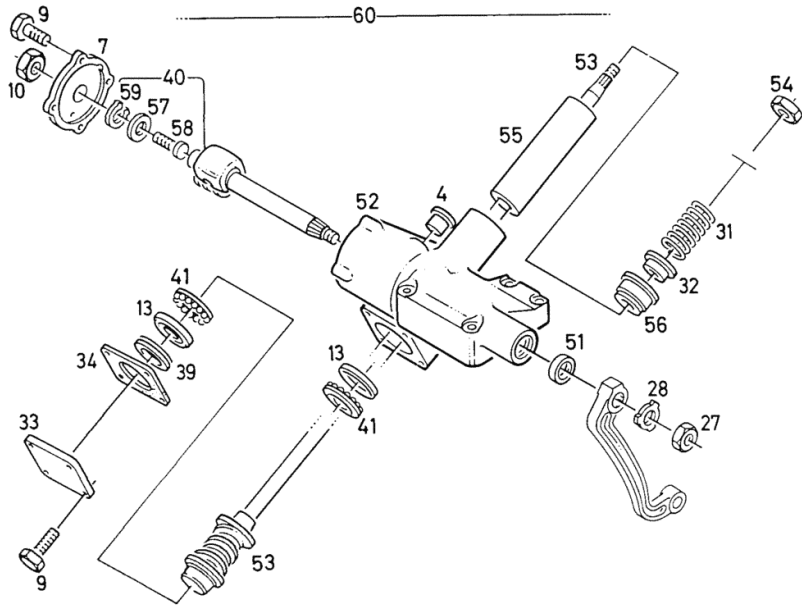


Section: FRONT AXLE, STEERING ASSEMBLY
HYDROSTAT. STEERING

DEUTZ FAHR
 MECH. LENKUNG LENKSTOCK
 MECH. STEER. SYSTEM COLUMN. ASSY.
 DIRECTION MEC. COMMANDE DIRECTION
 DIRECC. MECANICA BLOQUE DIRECCION

1006- 37 503 5191

Fig.	Code	QTY	Name
4	02324797	1	plug
7	02962779	1	cover
9	01103598	8	screw DIN 000933-M 8 X 25 Z3- 8.8-A
10	01113166	1	nut DIN 000936-M14X1,5 -22H-ZNPHR
2	03391356	2	ring
13	01113214	1	nut DIN 000936-M30X1,5 -22H-A-ZNP
27		1	HRF
28	02324660	1	lamination
31	03387849	1	spring
32	03387406	1	ring
33	02324912	1	flange
34	03391788	0	gasket OPTION ITEM... A=0,1 MM 950-952
39	02324691	1	ring
40	04302092	1	shaft
41	04302091	2	roller carrier
51	02324658	1	'o' ring H 002940-B 35X 47 X 7
52	02324913	1	body
53	02339677	1	steering column
54	01153187	1	nut DIN 000936-M18X1,5 -04-A
55	02324903	1	tube
56	02324662	1	sleeve
57	02311229	0	washer OPTION ITEM... A=2,25 MM 953-957
58	02324657	1	screw
59	04311829	1	ring
60	04301264	1	none
950	03391789	0	gasket A=0,12 MM.
951	03391790	0	gasket A=0,15 MM.
952	03391791	0	gasket A=0,3 MM.



Section: GEARBOX, CLUTCH
DOUBLE COUPLING

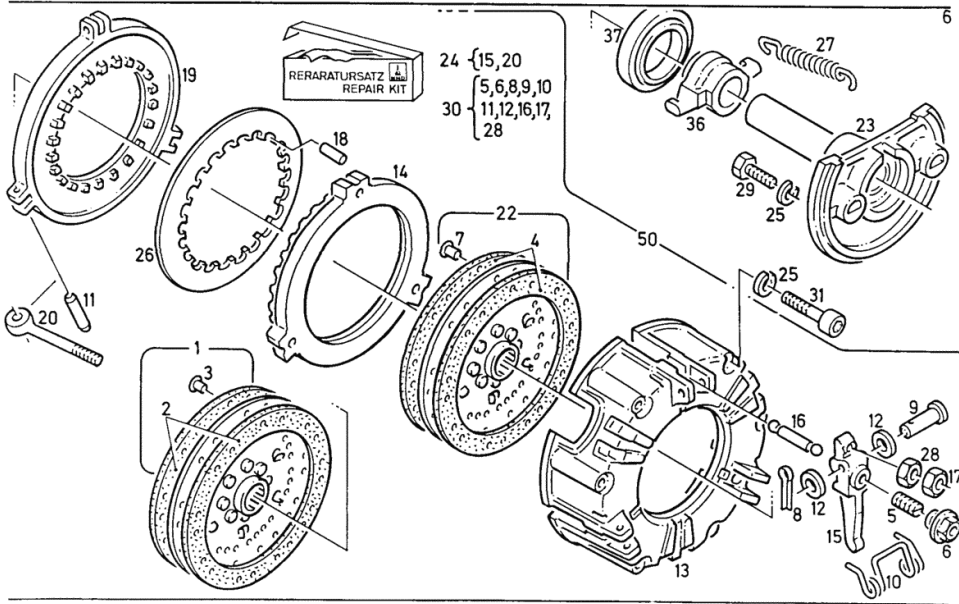
Fig.	Code	QTY	Name
1	04378805	1	clutch disc
2	04371476	2	clutch disc
3	02307623	12	rivet
4	04357867	2	friction ring
5	00000000	0	not serviceable
6	01113166	3	nut DIN 000936-M14X1,5 -22H-ZNPHR F
7	04367546	40	rivet
8	01106428	6	split pin DIN 000094- 3,2X 14-ST-A4C
9	00000000	0	not serviceable
10	04322878	3	spring
11	00000000	0	not serviceable
12	01115036	6	washer DIN 001441- 9-ST
13	02309668	1	clutch housing
14	02309669	1	clutch.pres plate
15	00000000	0	not serviceable
16	00000000	0	not serviceable
17	01102663	3	nut DIN 000936-M 8X1 - 22H-A4C
18	01115414	3	pin ISO 008752- 4 X 10
19	02309671	1	clutch.pres plate
20	00000000	0	not serviceable
22	04357866	1	pressure plate
23	02320780	1	bushing
24	02322949	0	lever
26	04343992	1	spring
27	03389261	2	spring
28	00000000	0	not serviceable
29	01112333	3	screw m 8 x 25, d933 ISO 004017-M 8 X 25 - 8.8-A4C
30	04336491	0	sub-assy parts BESTEHEND AUS POS..... 10,11,12,17,28
36	02312561	1	box
37	01260070	1	sleeve
50	04371468	1	clutch assy WITHOUT ITEM... 1



DOPPELKUPPLUNG
DUAL CLUTCH
EMBAYAGE BIDISQUE
EMBRAGUE DOBLE

ABHÄNGIG
SINGLE PEDAL
NORMAL
DE PEDAL ÚNICO

1005-02 503 5005



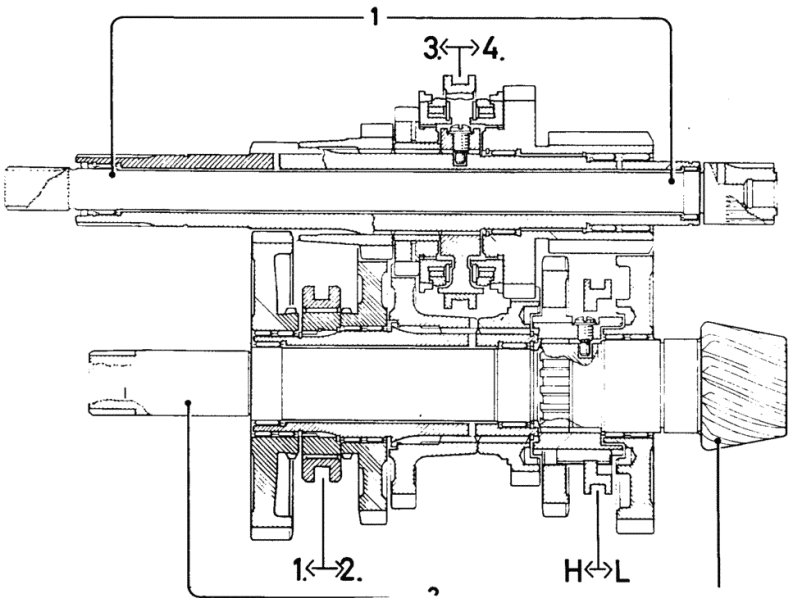
Section: GEARBOX, CLUTCH
GEAR CHANGE BOX

Fig.	Code	QTY	Name
1	00000000	0	not serviceable PART NUMBERS LISTING SHEET 1446-11 503 5387
2	00000000	0	not serviceable PART NUMBERS LISTING SHEET 1446-11 503 5386



WECHSELGETRIEBE TEILSYNCHRON
 TRANSMISSION PARTIALLY SYNCHR.
 BOITE DE VITESSES PARTIELLEMENT SYNCHR.
 CAJA CAMBIO SEMI-SINCHR.

1446-11 503 5384



Section: GEARBOX, CLUTCH

MAIN SHAFT

 WECHSELGETRIEBE
 TRANSMISSION
 BOITE DE VITESSES
 CAJA CAMBIO

 HAUPTWELLE
 MAIN SHAFT
 ARBRE PRINCIPAL
 EJE PRINCIPAL

 SYNCHRON
 SYNCHR.
 SYNCHR.
 SINCHR.

1446-11 503 5389

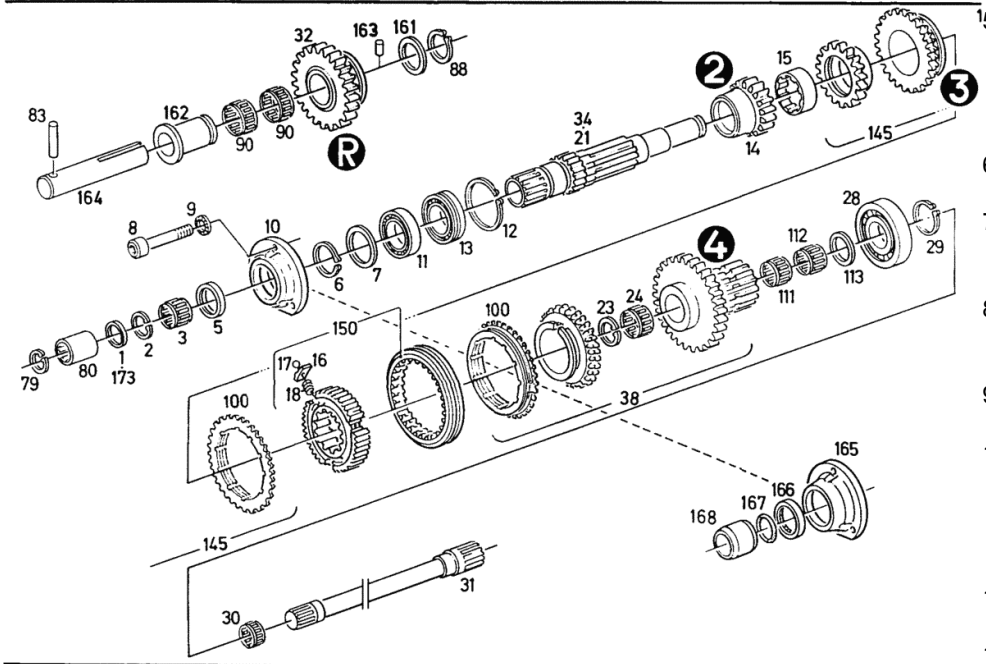
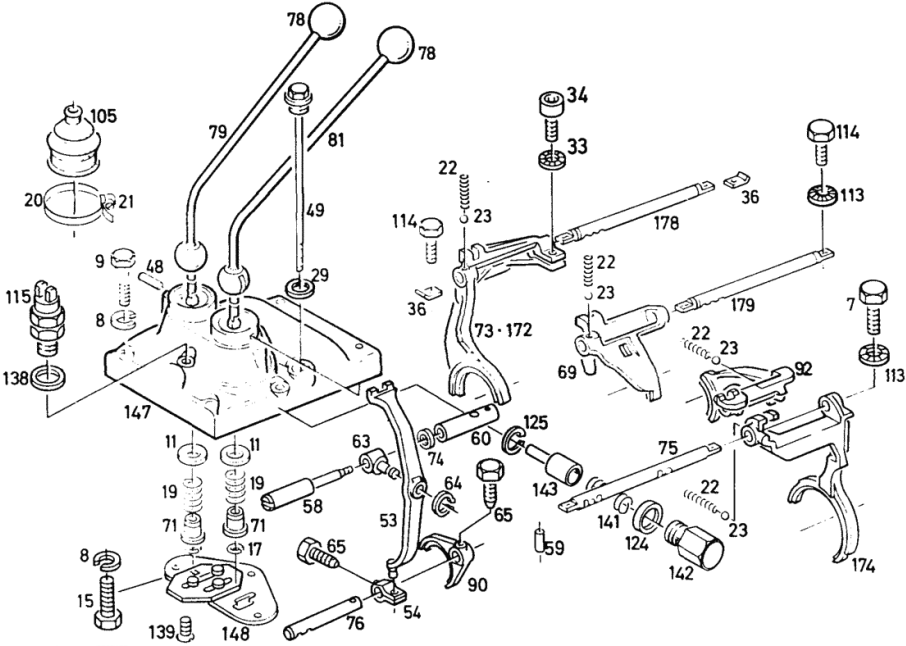


Fig.	Code	QTY	Name
1	01160346	1	'o' ring H 002939-G 24X 30X 4-NBR70 UP TO CHASSIS-NO. FROM CHASSIS- FRAME NO....ITEM ... < 7761/3834+7563/
2	01167223	1	circlip H 002259- 28X1,2
3	01168762	1	roller cage H 004455-NK 24 X 28X13
4	01161002	1	'o' ring H 002940-R 40X 55 X 8 -SI UP TO CHASSIS-NO. FROM CHASSIS- FRAME NO....ITEM ... < 7761/3834+7563/6
6	01107755	1	ring 40 x 1,75, d471 DIN 000471- 40X1,75
7	02302055	0	shim INDIVIDUAL PARTS SEE ITEM... 950-957
8	01126918	3	screw m 8 p.1.25 x 20 DIN 000912- M 8 X 20 - 8.8-A4 C
9	01169689	3	washer H 002203- 8
10	00000000	0	not serviceable UP TO CHASSIS-NO. FROM CHASSIS- FRAME NO....ITEM ... < 7761/3834+7563/6367 > 165
11	01101409	1	bearing DIN 000625- 6008-C3
12	01117455	1	circlip DIN 005417-SP 72
13	02301896	1	roller bearing
14	02302386	1	gear
15	02301895	1	bushing
16	02384247	3	controle panel
17	01116954	3	ball DIN 005401- 6,500MM-III
18	02387699	3	spring
21	02301853	1	shaft GEAR 5
23	01160345	2	circlip

Section: GEARBOX, CLUTCH
GEAR SHIFTING

DEUTZ FAHR	SCHALTUNG ZUM WECHSELGETRIEBE	KRIECHGANG	1446-12 503 5415
	GEAR-SHIFT ASSEMBLY	CREEP GEAR	
	COMM. DE BOITE DE VITTESS	RAPPORT ULTRA-LENT	
	MANDO PARA CAMBIO	MARCHAS ULTRALENTAS	

Fig.	Code	QTY	Name
178	04360666	1	rod GEAR 1+2
179	04323401	1	rod GEAR 3+4
950	02321417	0	shim A=0,5 MM
951	02321418	0	shim A=1,0 MM
952	02321419	0	shim A=2,0 MM
953	02388145	0	shim A=1,0 MM
954	02388146	0	shim A=0,5 MM
955	02388147	0	shim A=0,3 MM
956	02388825	0	shim A=0,15 MM



Section: GEARBOX, CLUTCH
DRIVE


 RIEMENSCHLEIBENANTRIEB
 BELT PULLEY DRIVE
 ENTRAINEMENT DE POULIE
 ACCIONAM. POLEA ACANALADA

30KW / 40 PS

1434 -19 503 52075

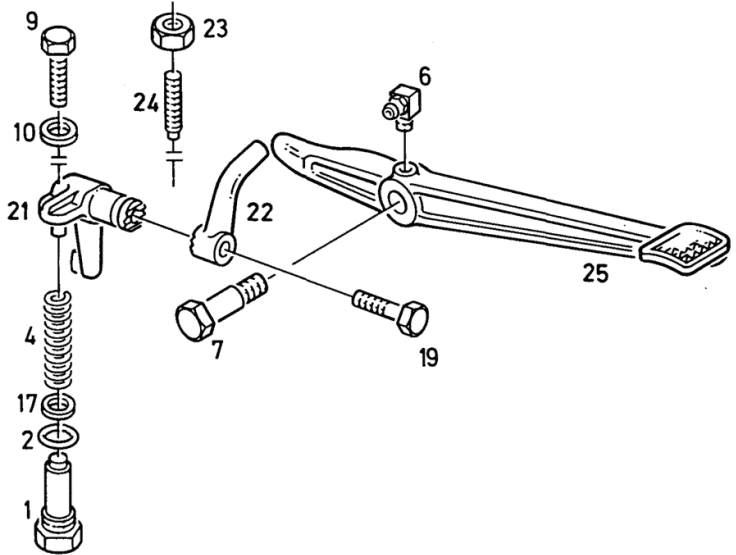
Fig.	Code	QTY	Name
1	03392271	1	body
2	01104181	4	screw m6x16 d912 DIN 000912- M 6 X 16 - 8.8-A4 C
3	01167194	10	washer H 002203- 6
4	03392273	1	flange
	01169479	1	'o' ring H 000645-A 42X 55 X 7
6	01169697	2	washer H 002203- 16
7	01111888	2	screw m 16 x 70 ISO 004014- M16 X 70 - 8.8-A4 C
8	01167164	2	nut H 002174-M 45X1,5
9	03392275	2	lamination
10	03392276	1	pulley
11	03392277	2	washer
12	01168683	1	roller bearing H 004450- 45,3X 77,8 X 19,8
13	03392292	0	ring OPTION ITEM... 6,6 MM 950-953
14	01168684	1	roller bearing H 004465-KR 57,531X 96,838X21 ,000
15	03392282	1	bevel gear
16	01165836	1	stop H 000711-B40
17	03392280	1	cover
18	01118970	1	plug m 18 p.1.5 DIN 007604-AM18X1,5 -ST-ZNPHR F
19	01118713	1	washer 18.5 DIN 007603-A 18 X 22 -CU
22	01168682	1	roller bearing H 004465-KR 44,450X 88,900X30 ,162
23	03392304	1	snoulder
24	03392285	1	tube
25	01168681	1	roller bearing H 004450- 44,5X 82,9 X 23,8

Section: GEARBOX, CLUTCH
DIFFERENTIAL GEAR LOCK

Fig.	Code	QTY	Name
1	03392540	1	screw
2	01118737	1	'o' ring 22 x 27 DIN 007603-A 22 X 27 -CU
4	03387604	1	spring
6	01168229	1	pipe fitting H 003360-SC 8
7	03471123	1	pin
	01112322	1	screw m 8 p.1.25 x 20 ISO 004017-M 8 X 20 - 8.8-A4C
10	01118654	1	'o' ring 8x14 d7603 DIN 007603-A 8 X 14 -CU
17	01151184	1	washer DIN 000433-10,5-200HV
19	01111176	1	screw ISO 004014- M 8 X 70 - 10.9-A 4C
21	02385460	1	lever
22	02385462	1	lever
23	01113135	1	nut DIN 000936-M 8 -17H-ZNPHRF
24	06208949	1	pin DIN 000915-M 8 X 20-45H
25	02321974	1	lever

DEUTZ FAHR
 AUSGLEICHGETRIEBESPERRE
 DIFFERENTIAL LOCK
 BLOCAGE DU DIFFERENTIEL
 BLOQUEO DEL DIFERENCIAL

1445-25 503 52529



Section: GEARBOX, CLUTCH
P.T.O. GUARD

**DEUTZ
FAHR** ZAPFWELLENSCHUTZ
PTO GUARD
GARDE PRISE FORCE
PROTEC. TOMAFUERZA

1907-77 503 5237

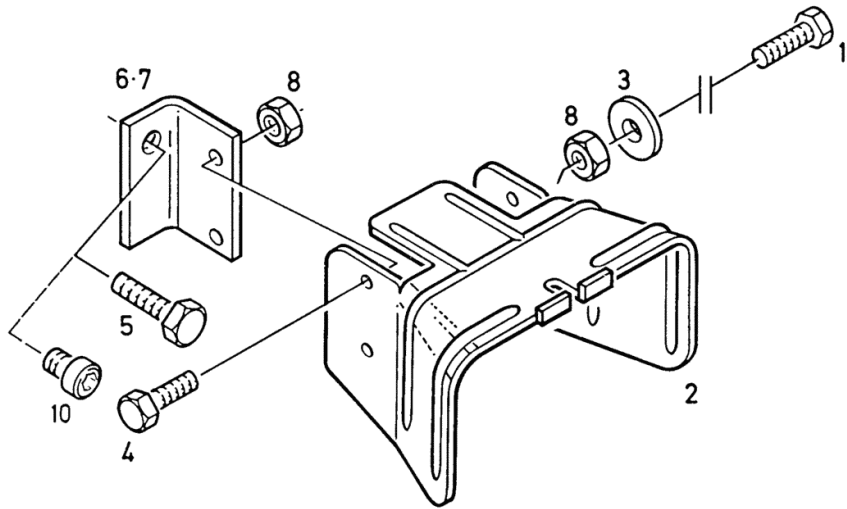


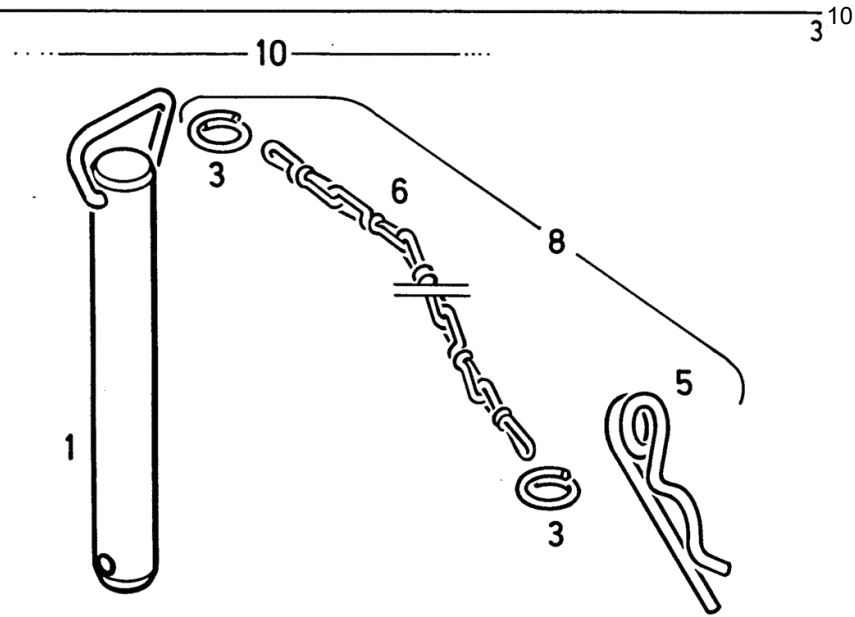
Fig.	Code	QTY	Name
1	01112333	2	screw m 8 x 25, d933 ISO 004017-M 8 X 25 - 8.8-A4C
2	04363126	1	lamination
3	04301446	2	washer
4	01112307	2	screw m 8 p.1.25 x 15, d933 ISO 004017-M 8 X 16 - 8.8-A4C
5	01112663	4	screw m 16 x 25 ISO 004017-M16 X 25 - 8.8-A4C
6	04311009	1	square LEFT
7	04311010	1	square RIGHTS
8	01112824	2	nut m 8, d934 ISO 004032-M 8 - 8-A4C
10	01110561	2	screw m8x20 d912-10 DIN 000912- M 8 X 20 -10.9-A4 C

Section: HITCH
COTTER PIN

Fig.	Code	QTY	Name
1	00000000	0	not serviceable
3	04305741	2	ring
5	01102874	1	roll pin DIN 011024- 6,3 -FE/ZN12CC
6	01401523	1	chain DIN 005685-G3 X26 X 260 -TZN1
	04342398	1	spring
	04338834	1	pin

**DEUTZ
FAHR**
 VORSTECKBOLZEN
 HITCH PIN
 BROCHE
 PERNO ENGANCHE

1905-11 503 66128



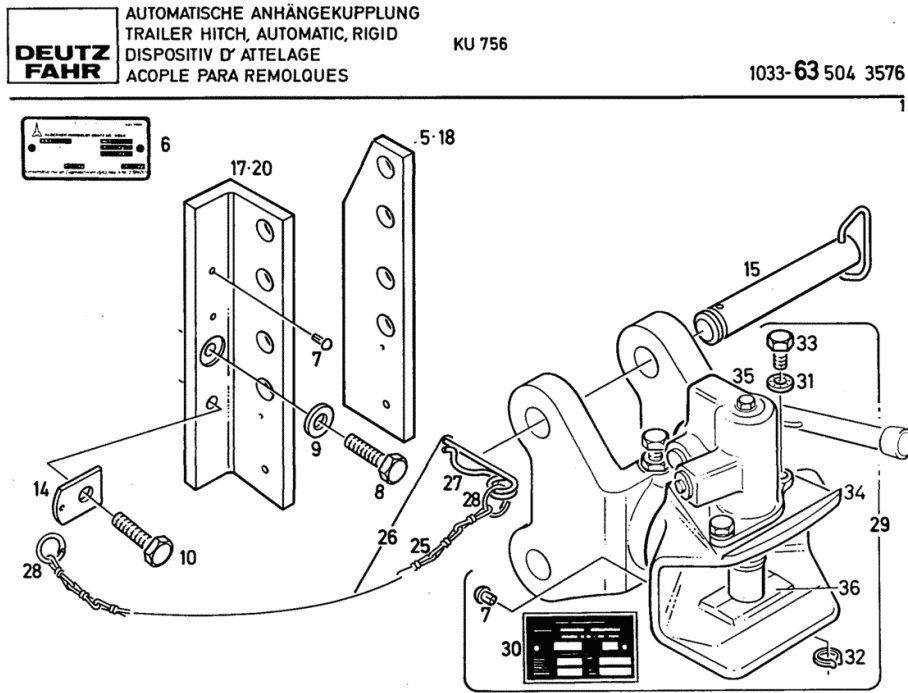
Section: HITCH
DRAWBAR COUPLING AUTOM.


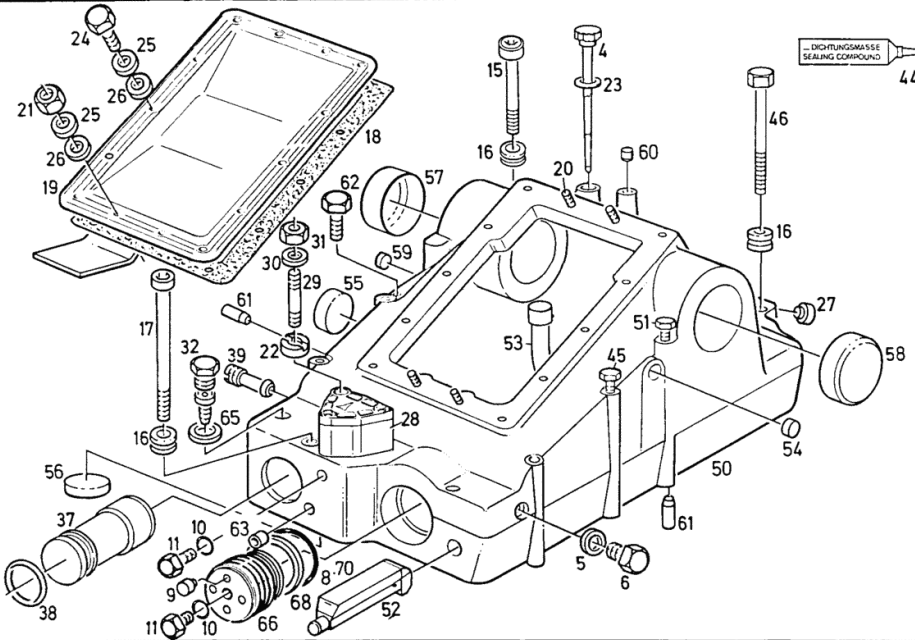
Fig.	Code	QTY	Name
5	04317339	1	guide
6	04311405	1	plate TO ITEM... 20
7	01115308	2	rivet
8	01137257	2	screw ISO 008746- 3 X 6-ST -A4C
9	01174741	2	screw ISO 004017-M18 X 45 - 10.9-GE SCHW.
10	01174741	2	washer H 000995-18,5X36X 5- 8.8 -A4C
14	04318852	1	screw ISO 004017-M18 X 35 - 10.9-GE SCHW.
15	04307332	2	support
17	04316610	1	pin
18	04316611	1	guide BEI RIEMENTRIEB
20	04333650	1	guide BEI RIEMENTRIEB
25	01401523	1	guide chain DIN 005685-G3 X26 X 260 -TZN1 00
26	04333760	2	key-pin
27	01100906	1	roll pin DIN 011024- 5 -FE/ZN12CC
28	04305741	2	ring
29	04350596	1	tow hook
30	04301816	1	plate
31	01107286	2	washer b10 d137 DIN 000137-B10-FST-A4C
32	01137321	1	ring 40 x 2.5, d471 DIN 000471- 40X2,5
33	01112418	2	screw m 10 x 25, d933 DIN 000933-M10 X 25 - 8.8-A4C
34	04383720	1	tow hook
35	04344732	1	socket
36	04355111	1	spacer

Section: HYDRAULIC SYSTEM
OIL TANK

Fig.	Code	QTY	Name
			DIN 000443- 16-A4C
60	02379086	1	plug
61	03401321	2	pin
62	01112299	1	screw m 8 x 12, d933
63	01165829	1	ISO 004017-M 8 X 12 - 8.8-A4C
			stop
			H 000711-B22
65	04349804	1	washer
			A=0,25 MM
46	04350091	1	plug
			FROM FIRST REPLACEMENT UNTIL
			CHASSIS-AXLE-GEARBOX-
			SUPPLY WITH NO.ITEM..
			68+70
68	04353149	1	ring
70	04353151	1	ring

DEUTZ FAHR
 OELBEHAELTER
 OIL RESERVOIR
 RESERVOIR D' HUILE
 TANQUE ACEITE

1904-04 503 5039



Section: HYDRAULIC SYSTEM
POWER LIFT

DEUTZ FAHR
 KRAFTHEBERANLAGE
 HYDRAULIC SYSTEM
 RELAVAGE HYDRAULIQUE DTS
 SISTEMA DE ELEVADOR HIDRAULICO

K 45.3

1952-08 503 5063

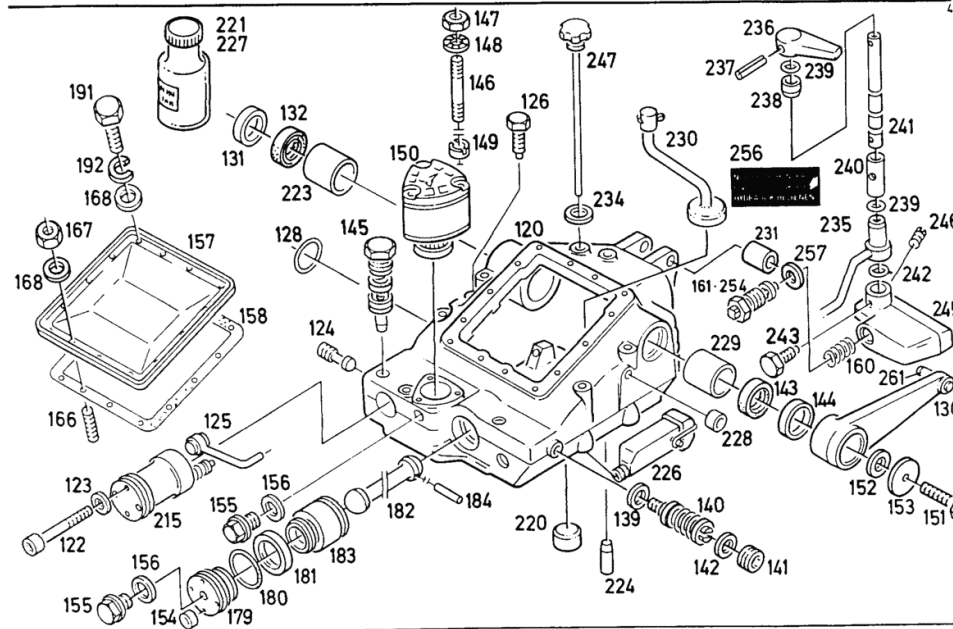


Fig.	Code	QTY	Name
221	01016111	1	H 000711-B60 stop
223	03401300	1	H 000699-DEUTZ DW 55- 50 ML bushing
224	03401321	1	pin
226	02320098	0	filter
227	01016112	0	PART NUMBERS LISTING SHEET 1952-08 503 5055 adhesive H 699 - DEUTZ DW 59 H 000699-DEUTZ DW 59- 50 ML
228	01165827	1	stop
229	03401302	1	H 000711-B18 sleeve
230	02306597	0	H 000711-B18 tube
231	02312166	2	PART NUMBERS LISTING SHEET 1952-08 503 5056 bushing
234	01170587	1	'o' ring H 002927- 28 X 3,5 -NBR-1-60
235	02306525	1	bushing
236	04340091	1	knob
237	01115440	1	stop
238	03401320	1	ISO 008752- 5 X 32 bushing
239	01160039	2	'o' ring H 002927- 16 X 2 -NBR-1-70
240	02306602	1	sleeve
241	02306574	1	shaft
242	01169761	1	'o' ring H 002927- 10 X 2 -NBR-1-70
243	01108137	1	screw DIN 000561-AM 8X 20 - 5.8
245	04346237	1	latch
246	01107969	1	pin ISO 004766-M 6 X 6-14H
247	04338011	1	dipstick
254	04343366	1	valve
256	01210622	0	number plate OPTION ITEM... 953+957
257	01118681	1	'o' ring a 12x18 d7603 DIN 007603-A 12 X 18 -CU
261	03471289	1	pin

Section: HYDRAULIC SYSTEM
UPPER LINK



OBERER - LENKER
 TOP LINK
 BRAS SUPERIEUR
 GUIA SUPERIOR

SCHNELLKUPPLER
 QUICK COUPLER
 CHAPE D ATTELAGE RAPIDE
 ACOPLER RAPIDO

1941 -11 503 5147

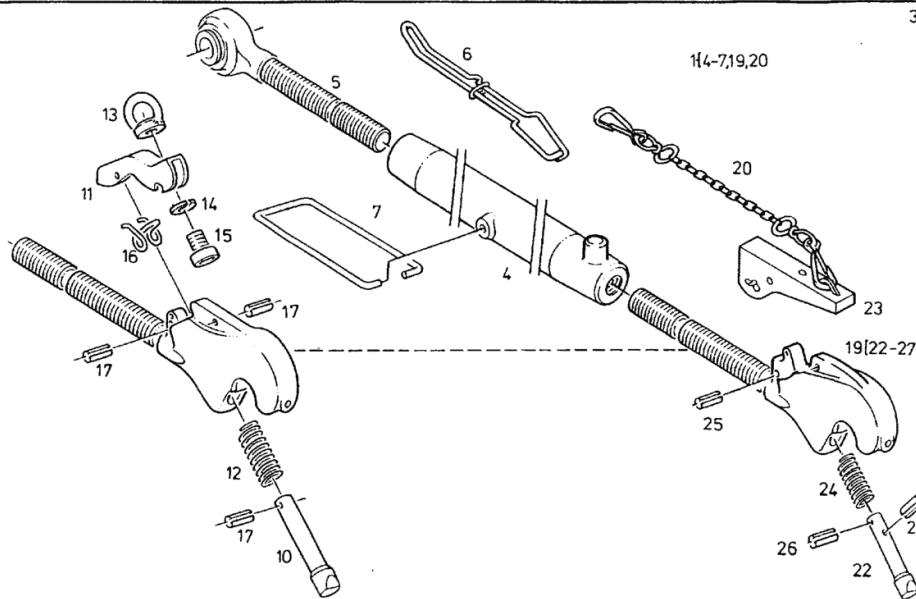


Fig.	Code	QTY	Name
1	04397084	1	3 point hitch CATEGORY 1/2
4	04397641	1	nut
5	04397642	1	ferrule CATEGORY 1
6	04397645	1	spring
7	04396595	1	spring
10	04328941	1	pin
11	04328942	1	lever
12	04328943	1	spring
13	04323252	1	nut
14	01119611	1	ring
15	01119625	1	screw DIN 007980- 8-FST-A4C
16	04323251	1	spring DIN 007984-M 8 X15 -A4C
17	01115454	2	pin 6 x 28 ISO 008752- 6 X 28
19	04397648	1	clevis
20	04397658	1	operation
22	04397651	1	pin
23	04397652	1	lever
24	04397657	1	spring
25	01115436	1	pin DIN 001481- 5 X 24-A4C
26	01115453	1	pin 6 x 24 DIN 001481- 6 X 24-A4C
27	01157342	1	pin DIN 001481- 6 X 20-A4C

Section: HYDRAULIC SYSTEM
TELE-UPPER LINK

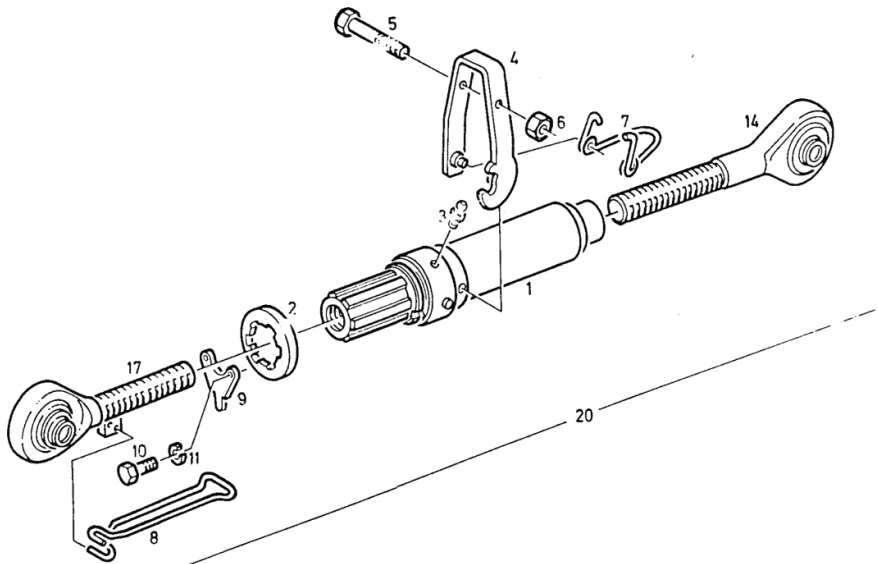
Fig.	Code	QTY	Name
1	02378617	1	tensioner
2	02378618	1	tube
3	01168224	1	lubricator m 6 H 003360-SA 6
4	02378273	1	lever
5	01111096	1	screw m6x90 d933 ISO 004014- M 6 X 90 - 8.8-GE SCHW.
6	01133500	1	nut vm 6 d980 DIN 000980-VM 6 - 8-A4C GEWAC HST
7	02378235	1	spring
8	04323968	1	spring
9	02378619	1	plate
10	01103999	2	screw m5x16 d933 ISO 004017-M 5 X 16 - 8.8-A4C
11	01102796	2	ring 5 DIN 000128-A 5 -FST -A4C
14	02378620	1	ferrule
17	04313754	1	ferrule LEFT
20	04312931	1	3 point hitch



TELESKOP - OBERLENKER
TOP LINK, TELESCOPIC
BRAS SUPERIEUR, TELESCOPIQUE
GUIA SUPERIOR, TELESCOPICA

KAT. I/II

1904-17 502 3964



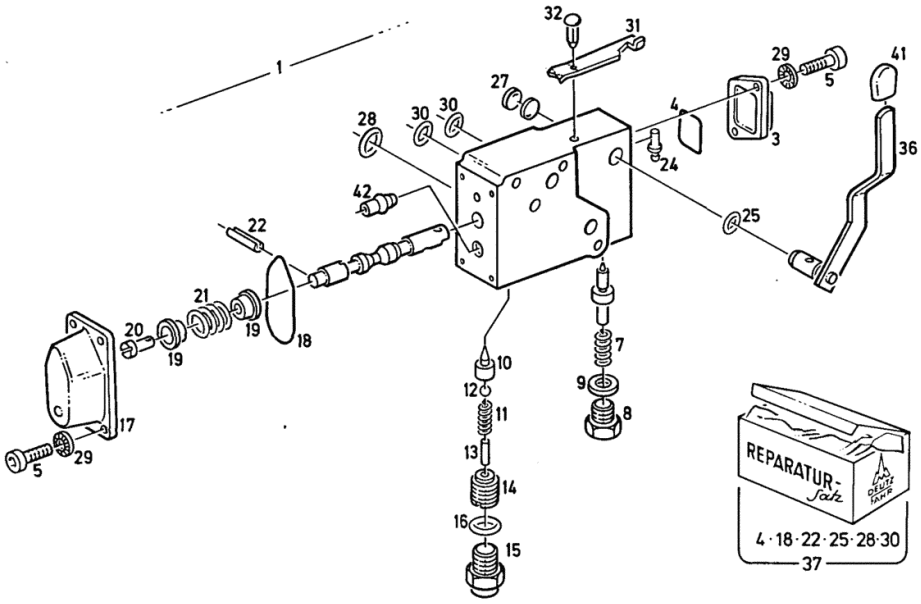
Section: HYDRAULIC SYSTEM
INTERMEDIATE DEVICE I - VALVE SEALED

DEUTZ FAHR
ZWISCHENGERÄT
INTERMEDIATE UNIT
DISTRIBUTEUR INT.
APTO. MANDO INTERM.

DEUTZ
DOPPELT WIRKEND
DOUBLE - ACTING
A DOUBLE EFFET
DE DOBLE EFECTO

1804-40 503 5270

Fig.	Code	QTY	Name
1	02333730	1	distributor
3	03401349	1	cover
4	03401351	1	gasket
5	01152810	6	screw
			DIN 000912- M 5 X 16 -10.9
7	03401344	1	spring
8	01152105	1	screw
			DIN 007604-AM12X1,5 -5.8
29	01118673	1	'o' ring
			DIN 007603-A 12 X 15,5-CU
10	03401358	1	valve
11	03401360	1	spring
12	01123958	2	ball
			DIN 005401- 4,500MM-III
13	01101402	1	cylindrical plug
			ISO 008734- 4 X 14-A-ST
14	03401359	1	pin
15	01102346	1	nut
			H 002159- M14X1,5-8-A4C
16	01118688	1	ring 14x17
			DIN 007603-A 14 X 18 -CU
17	03401348	1	cover
18	03401350	1	gasket
19	03401345	2	cup
20	03401340	1	pin
21	03401343	1	spring
22	01115405	1	pin
			ISO 008752- 3 X 12
24	02311920	1	pin
25	01169761	1	'o' ring
			H 002927- 10 X 2 -NBR-1-70
27	01102347	2	washer
			DIN 000470- 14-ST-A4C
28	04303433	1	'o' ring
29	01167193	6	ring
			H 002203- 5
30	04305924	2	'o' ring
31	03401352	1	spring
32	01115333	1	self tapping screw
			ISO 008746- 6 X10-ST -A4C
36	02333721	1	shaft
37	04306985	0	sub-assy parts
			BESTEHEND AUS POS.....
			4,18,22,25,28,30



Section: MOTOR SUPPLY
DRY AIR FILTER

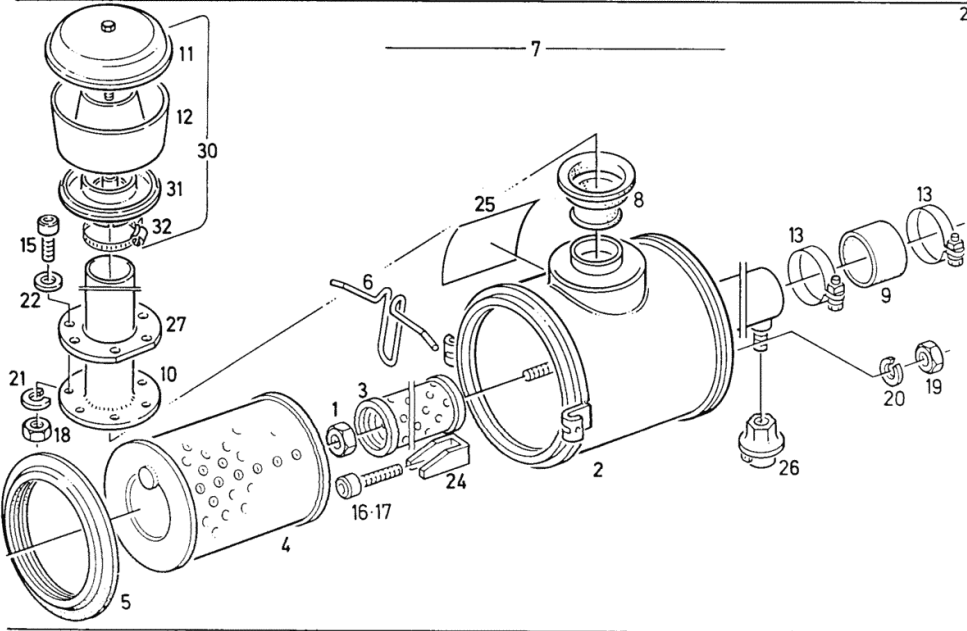
Fig.	Code	QTY	Name
32	04345199	1	bracket



TROCKENLUFTFILTER MIT ANSAUGUNG VON OBEN
 DRY-TYPE AIR CLEANER WITH INTAKE STACK
 EPURATEUR D'AIR DU TYPE SEC A ASPIRATION D'EN HAUT
 FILTRO DE AIRE EN SECO, ADMISION DESDE ARRIBA

1003-43 503 5126

2



CLICK HERE TO **DOWNLOAD** THE COMPLETE MANUAL

- Thank you very much for reading the preview of the manual.
- You can download the complete manual from: www.heydownloads.com by clicking the link below



- Please note: If there is no response to CLICKING the link, please download this PDF first and then click on it.

CLICK HERE TO **DOWNLOAD** THE COMPLETE MANUAL