

D07 3607

BRAKE

Control assy./service brake, Parking brake

OPERATION - PARKING BRAKE..... 13.29.1

HAND BRAKE..... 13.29.2

Service brake, Contral assy./service brake

SERVICE BRAKE..... 13.30.7

OPERATION - P.T.O. SHAFT - REAR..... 13.30.49

CLICK HERE TO **DOWNLOAD** THE COMPLETE MANUAL

- Thank you very much for reading the preview of the manual.
- You can download the complete manual from: www.heydownloads.com by clicking the link below



- Please note: If there is no response to CLICKING the link, please download this PDF first and then click on it.

CLICK HERE TO **DOWNLOAD** THE COMPLETE MANUAL

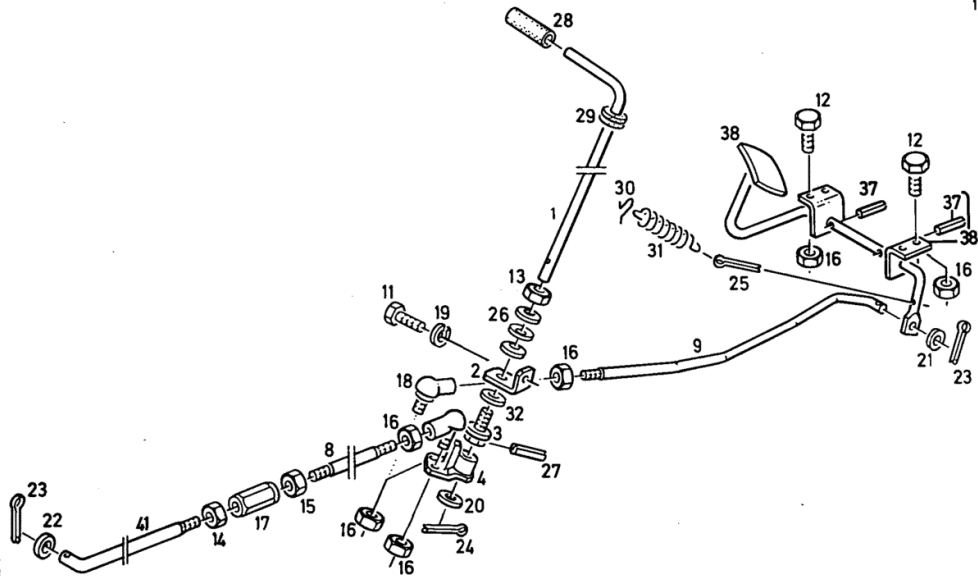
Section: BUILT-ON ACCESSORIES
SPEED ADJUSTMENT

Fig.	Code	QTY	Name
1	02370407	1	rod
2	02370408	1	support
3	02337892	1	spacer
4	02370411	1	controle panel
8	02315529	1	rod
9	02322673	1	lever
11	01112322	1	screw m 8 p.1.25 x 20
12	01103316	4	ISO 004017-M 8 X 20 - 8.8-A4C
13	01136466	1	screw m 6 p.1.0 x 16
14	01112824	1	ISO 004017-M 6 X 16 - 8.8-A4C
15	01112831	1	nut m 16 p.1.5
16	01112813	4	DIN 000980-VM16X1,5 - 8-A4C G
17	01115360	1	EWACHST
18	01120947	1	nut m 8, d934
19	01107101	1	ISO 004032-M 8 - 8-A4C
20	01107110	1	nut m 8
21	01107101	1	ISO 004032-M 8 LH - 8-A4C
22	01107095	1	LEFT-HAND THREAD
23	01106407	2	nut m 6
24	01106447	1	DIN 000934-M 6 - 8-A4C
25	01106482	1	joint
26	01116039	3	DIN 001479-SP M 8- 6-A4C
27	01115430	1	joint
28	02370419	1	DIN 071802-AS10 -A4C
29	02370412	1	washer 8.4

DEUTZ
FAHR

DREHZAHLENVERSTELLUNG
SPEED CONTROL
VARIATION REGIME
GRADUAC. REVOLUC.

1001- 46 504 1041



Section: BUILT-ON ACCESSORIES
DRIVER'S SEAT

DEUTZ FAHR FAHRERSITZ - EXPORT
OPERATOR'S SEAT - EXPORT MODEL
SIEGE DE CONDUCTEUR - EXPORT
ASIENTO DE CONDUCTOR - TIPO EXPORTACION

1001- 54 503 5130

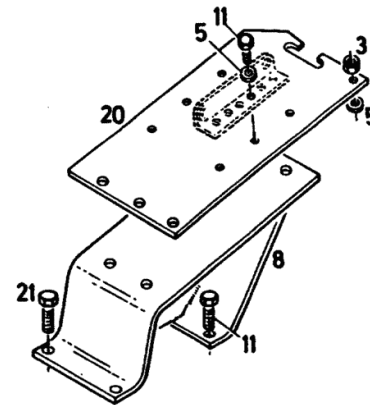
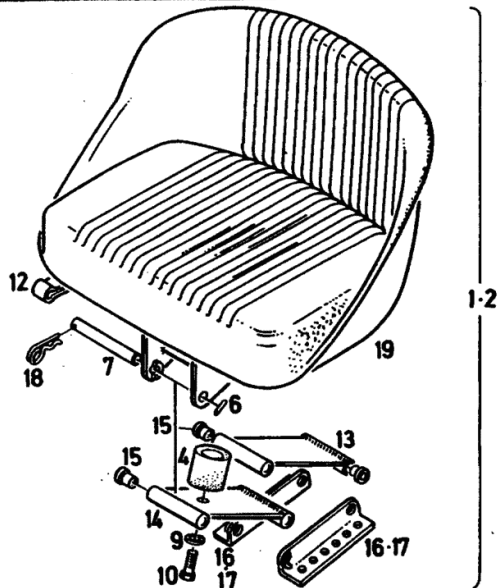


Fig.	Code	QTY	Name
1	04317491	1	seat FOR CASING COVER
2	04317493	1	seat FOR MODEL WITH POWER-LIFT LIFTER
3	01112829	6	nut ISO 004032-M 8 -10
4	02327950	1	shoch.absorber
5	01107101	4	washer 8.4 DIN 000125-A 8,4-140HV-A4C
3 6	01115424	6	pin DIN 001481- 4 X 24-A4C
7	02385878	4	pin
8	02302205	1	console
9	01107105	1	washer 10.5 DIN 000125-A10,5-140HV-A4C
10	01126186	1	screw m 10 x 16 DIN 000933-M10 X 16 - 8.8-A4C
11	01112307	6	screw m 8 p.1.25 x 15, d933 ISO 004017-M 8 X 16 - 8.8-A4C
12	02386710	7	brace
13	02386711	1	arm
14	02386712	1	arm
15	02310918	8	bushing
16	02386714	2	square TO ITEM... 1
17	04302489	2	square TO ITEM... 2
18	01136622	2	roll pin DIN 011024- 4 -FE/ZN12CC
19	04317492	1	seat
20	02315434	1	lamination
21	01112308	2	screw ISO 004017-M 8 X 18 - 8.8-GES CHW.

Section: BUILT-ON ACCESSORIES
METAL TOOLBOX

**DEUTZ
FAHR** WERKZEUGKASTEN
TOOLBOX
COFFRET A OUTILS
CAJA DE HERRAMIENTAS

1001-60 503 5209

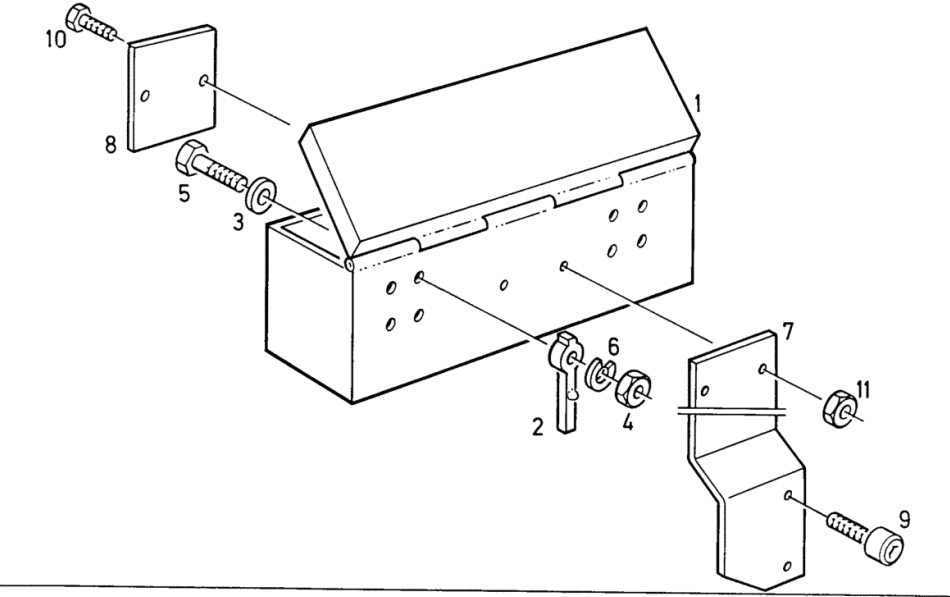


Fig.	Code	QTY	Name
1	04393279	1	metal toolbox
2	02306797	2	shim UP TO CHASSIS-NO. FROM CHASSIS- FRAME NO....ITEM ... < ... > 7+8
3	02308040	2	washer
4	01102659	2	nut m 10, d934 DIN 000934-M10 - 8-A4C
5	01112423	2	screw m 10x28 DIN 000933-M10 X 28 - 8.8-A4C
6	01102800	2	washer 10.2 DIN 000128-A 10 -FST -A4C
7	04335937	1	consolle
8	04335938	1	plate
9	01110762	2	screw m 12 x 35 DIN 000912- M12 X 35 - 8.8-A4 C
10	01112333	2	screw m 8 x 25, d933 ISO 004017-M 8 X 25 - 8.8-A4C
11	01112824	2	nut m 8, d934 ISO 004032-M 8 - 8-A4C

Section: BUILT-ON ACCESSORIES
SEAT FOR 2ND OPERATOR

Fig.	Code	QTY	Name
1	04337410	1	passenger seat WITHOUT ITEM... 7,+23-25
2	03387158	2	screw
3	03387157	2	plate
5	01112813	4	nut m 6 DIN 000934-M 6 - 8-A4C
7	04317464	1	seat
21	04337276	1	backrest
22	01167326	1	bottom H 002873-A 22,5X 19,7X12 -PE WEICH-SW
23	01112407	2	screw m 10 x 20, d933 DIN 000933-M10 X 20 - 8.8-A4C
24	01102659	2	nut m 10, d934 DIN 000934-M10 - 8-A4C
25	04335189	1	tongue

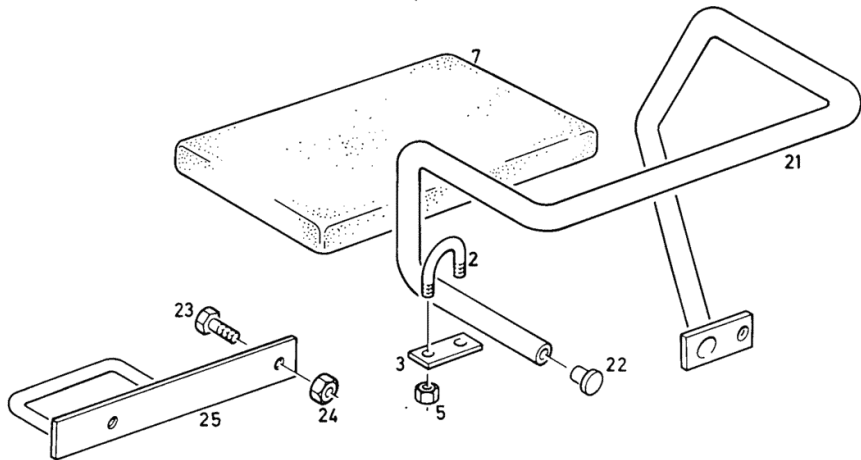


BEIFÄHRERSITZ
PASSENGER SEAT
SIEGE CONVOYEUR
ASIENTO ACOMPAÑANT

SCHUTZRAHMEN
SAFETY FRAME
CADRE PROTECTEUR
BASTIDOR PROTECC.

M 701

1001-76 503 99627



Section: ELECTRIC AL SYSTEM
LIGHTS FRONT



LEUCHTEN
LIGHTS
FEUX
LAMPARAS

VORN
FRONT
AVANT
DELANTERAS

1001-49 503 9972

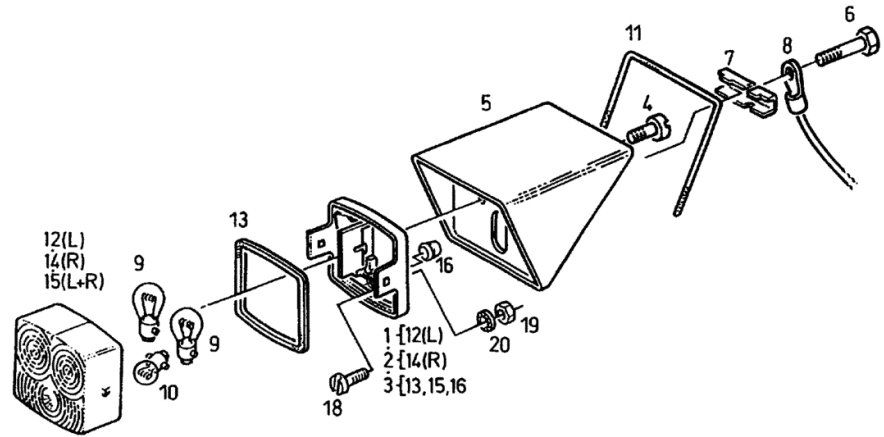
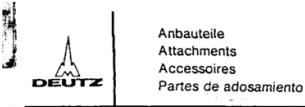


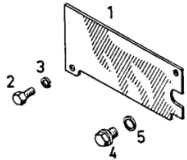
Fig.	Code	QTY	Name
1	04389584	1	light
2	04389586	1	light
3	02377452	2	lamp
4	01124043	2	screw m 5 x 20 ISO 007045-M 5X 20 - 4.8-H -A 4C
5	02375799	1	shim
6	01101940	1	screw ISO 004014- M 6 X100 - 8.8-A4 C
7	02306343	1	bracket
8	02377453	1	tube
9	01102550	1	lamp r121w d72601 DIN 072601-P25-1- 12V 21 W
10	01121409	1	lamp g/10w d72601 DIN 072601-R19/10-12V 10 W
11	01390702	0	gasket PVC H 846471-01-PN 1
12	04390877	1	glass
13	02381654	1	gasket
14	04390879	1	glass
15	02381659	1	glass
16	02371927	1	sleeve

Section: ENGINE
ACCESSORIES

Fig.	Code	QTY	Name
1	03469976	1	shim
2	01112295	2	screw m 8 x 10 ISO 004017-M 8 X 10 - 8.8-A4C
3	01102799	2	washer 8, d128 DIN 000128-A 8 -FST -A4C
4	01118970	1	plug m 18 p.1.5 DIN 007604-AM18X1,5 -ST-ZNPHR F
5	01118713	1	washer 18.5 DIN 007603-A 18 X 22 -CU



0150-01-501 4507



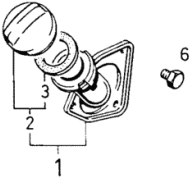
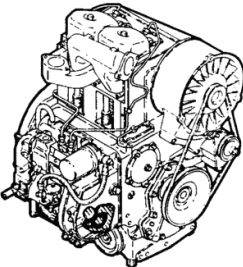
Section: ENGINE
OIL FILLER NECK

Fig.	Code	QTY	Name
1	04150120	1	cover
2	01236291	1	plug
3	01236290	1	'o' ring
6	01112299	1	screw m 8 x 12, d933 ISO 004017-M 8 X 12 - 8.8-A4C



Öleinfüllung
Oil filler neck
Tubulure de remplissage d'huile
Tubuladura de llenado

0150-01-503 7785



Section: ENGINE

CYLINDER HEAD PIECE/CYL.-UNIT

Fig.	Code	QTY	Name
1	02101681	4	screw
2	03371666	4	flat washer
3	02136596	2	plug F.EIN-U.AUSLASS
4	01118760	2	gasket 26x31 DIN 007603-A 26 X 31 -CU
5	01112824	3	nut m 8, d934 ISO 004032-M 8 - 8-A4C
6	01102659	1	nut m 10, d934 DIN 000934-M10 - 8-A4C
8	02137591	1	bracket
9	02137580	1	washer
10	02231154	1	engine head WITH ITEM (6,8,11-21)
11	02137302	1	ring FUER EINL.NORMAL 45,66MM RD (1.7976 IN.) OVERSIZE STEP ITEM. 952-954
12	02137306	1	ring mm 40.16 FUER AUSL.NORMAL 40,16MM RD (1.5811 IN.) OVERSIZE STEP ITEM. 955-957
13	02232528	2	valve guide NORMAL 15.00 MM RD (0.5906 IN.) OVERSIZE STEP ITEM. 950-951
14	04153697	1	exhaust valve
15	01215500	2	circlip
16	04153631	1	inlet valve
17	03371748	2	cup
18	01168817	4	stop H 007020- 8
19	03369305	2	spring
20	01102046	3	small column DIN 000835-M 8 SN4X 55 - 8.8
21	01135976	1	screw m10sn4x65 DIN 000835-M10 SN4X 65 - 6.8- A4C
22	02137096	2	filler
23	04157654	1	shim
950	02233020	2	valve guide 1. OVERSIZE 15,25MM RD (0,6004 IN.)
951	02233021	2	valve guide

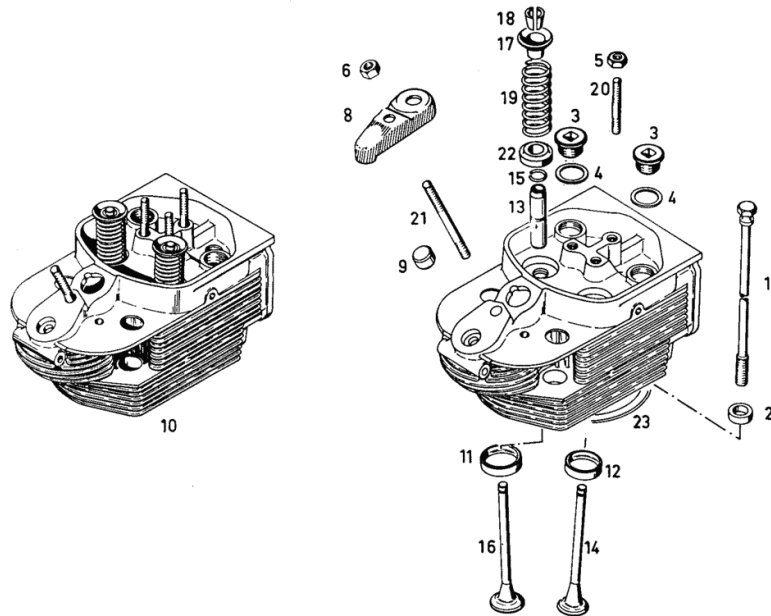


Zylinderkopf
Cylinder head
Culasse
Culata

Stück / Zyl.- Einheit
Pieces / cyl. unit
Qté / cylindre
Cantid. / unid. cilind.



0150-08-500 4402



Section: ENGINE
LUBRICAT. OIL PUMP

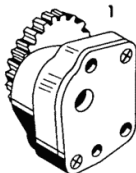
Fig.	Code	QTY	Name
1	03470015	1	oil pump



Schmierpumppe
Lube oil pump
Pompe d'huile de graissage
Bomba de aceite lubricante



0150-14-501 4501



Section: ENGINE
INJECTION PUMP DRIVE

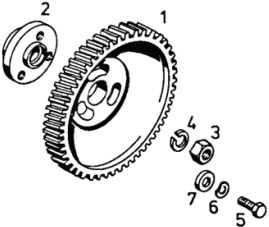
Fig.	Code	QTY	Name
1	02232682	1	gear
2	02232683	1	hub
3	01125801	1	nut m12 d934-10
4	01102801	1	washer 12
5	01103478	3	screw
6	01107283	3	washer 8.2
7	01216127	3	washer



Einspritzpumpenantrieb
Injection pump drive
Entrainement de pompe d'injection
Accionamiento para bomba de inyección



0150 - 18 - 503 0856



Section: ENGINE
OVERFLOW LINE

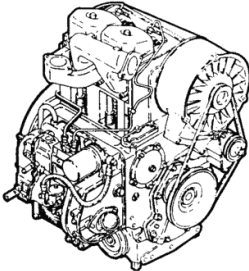
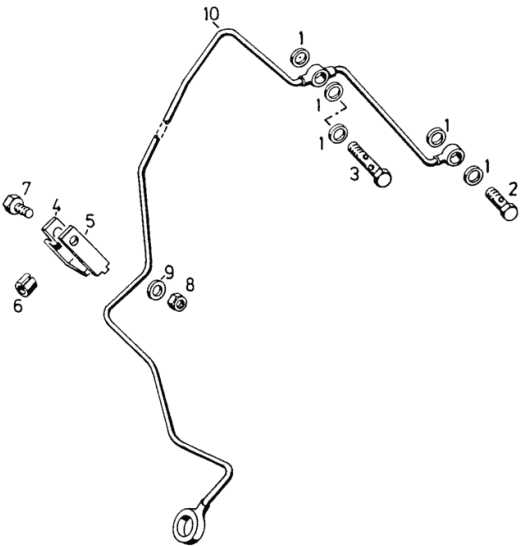
Fig.	Code	QTY	Name
1	01118647	5	'o' ring 8x11,5 d7603 DIN 007603-A 8 X 11,5-CU
2	01119230	1	screw H 003102-D 4/5M-ST
3	01178622	1	pipe union m 8 x 1 H 003103-A 4M
4	01161469	1	hose clip b2x6 h3220 H 003220-B 2X 6
5	01170642	1	plate c2x6 H 003220-C 2X 6
6	01210090	1	rubber sleeve
7	01112240	1	screw m 6 x 12 ISO 004017-M 6 X 12 - 8.8-A4C
8	01112813	1	nut m 6 DIN 000934-M 6 - 8-A4C
9	01107095	1	washer 6.4 DIN 000125-A 6,4-140HV-A4C
10	02234416	1	tube



Überströmleitung
Overflow pipe
Conduit de décharge
Tubería de rebosamiento



0150- 21 - 503 0880



CLICK HERE TO **DOWNLOAD** THE COMPLETE MANUAL

- Thank you very much for reading the preview of the manual.
- You can download the complete manual from: www.heydownloads.com by clicking the link below



- Please note: If there is no response to CLICKING the link, please download this PDF first and then click on it.

CLICK HERE TO **DOWNLOAD** THE COMPLETE MANUAL

Section: ENGINE
GENERATOR

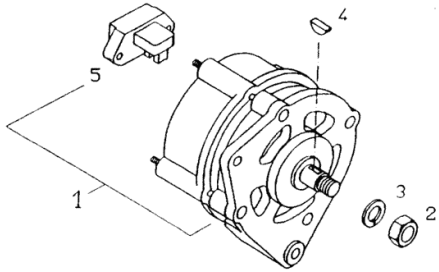
Fig.	Code	QTY	Name
1	01177481	1	alternator 33A H 821170- J 4RL14X 33 WITH ITEM 2-6, FOR INDIVIDUAL COMPONENTS SEE ETL SHEET 502 7044 0150
2	01113179	1	nut DIN 000936-M16X1,5 -22H-A4C
3	01103952	1	spring disc DIN 000137-B16-FST-A4C
4	01118325	1	key DIN 006888- 4 X 5
5	01177496	1	regulator H 822111- AH -14V 33A
6	01306558	1	chassis frame



GENERATOR
DYNAMO
DYNAMO
ELEKTROGENERATOR

0150 -44- 0502 3028

2



TRACK ROD TELESCOPIC AXLE

DEUTZ FAHR SPURSTANGE TELESKOPACHSE TKK-6TH
 TRACK ROD TELESKOPIC AXLE
 BARRE ACCOUPLEMENT ESSIEU TELESOP
 BIELA ANCHO RODAD. EJE TELESCOPICO
 1065-33 504 4987

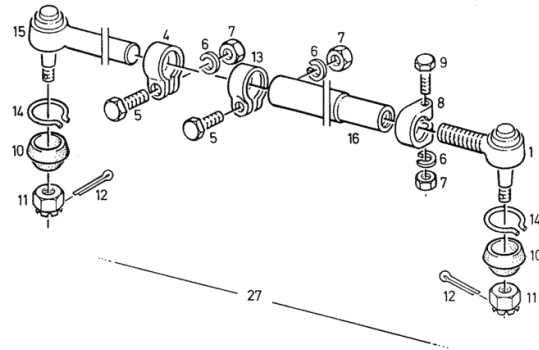


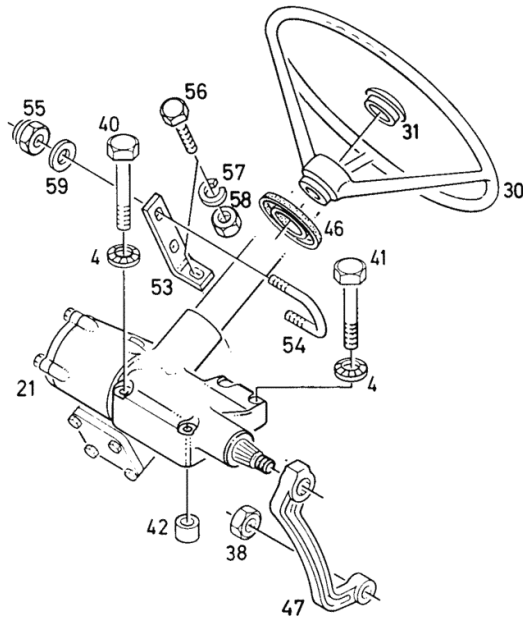
Fig.	Code	QTY	Name
1	04356954	1	ball joint
4	04307709	2	clamp
5	01100104	2	screw m 10 x 60 DIN 000933-M10 X 60 - 8.8-A4C
6	01102800	3	washer 10.2 DIN 000128-A 10 -FST -A4C
7	01102659	3	nut m 10, d934 DIN 000934-M10 - 8-A4C
8	02371237	1	clamp
9	01111308	1	screw m 10 x 50 DIN 000931- M10 X 50 - 8.8-A4 C
10	04356970	2	tube
11	01113267	2	castellated nut DIN 000937-M18X1,5 -22H-A -ZN PHRF
12	01126649	2	split pin 4.0 x 32 DIN 000094- 4 X 32-ST-A4C
13	02311216	201	bracket
14	04356972	2	circlip
15	04372687	1	ball joint
16	04372686	1	spacer
27	04359558	1	rod

Section: FRONT AXLE, STEERING ASSEMBLY
HYDROSTAT. STEERING

Fig.	Code	QTY	Name
4	01169696	4	washer H 002203- 14
21	02374346	0	none PART NUMBERS LISTING SHEET 1145-37 503 5184
30	04347999	1	steering wheel
31	04372644	1	cap
38	01161630	2	nut H 002132- M12X1,5- 8-A4C
40	01101948	2	screw DIN 000933-M14 X 70 - 8.8-A4C
41	01122458	2	screw DIN 000933-M14 X 55 - 8.8-A4C
42	02301516	2	spacer
46	02308077	1	sleeve
47	02373460	1	steering lever
53	04302947	1	console
54	04302948	1	bracket
55	01136451	2	nut 5 DIN 000980-VM 5 - 8-A4C GEWAC HST
56	01112308	1	screw ISO 004017-M 8 X 18 - 8.8-GES CHW.
57	01107101	1	washer 8.4 DIN 000125-A 8,4-140HV-A4C
58	01107101	1	washer 8.4 DIN 000125-A 8,4-140HV-A4C
59	01107095	2	washer 6.4 DIN 000125-A 6,4-140HV-A4C

**DEUTZ
FAHR**
 MECH. LENKUNG
 MECH. STEER. SYSTEM
 DIRECTION MEC.
 DIRECC. MECANICA

1145- 37 503 994238



D07 3607

GEARBOX, CLUTCH

Clutch

DOUBLE COUPLING.....	12.02.1
SINGLE COUPLING.....	12.02.17

Clutch control assy.

CLUTCH OPERATION.....	12.03.6
-----------------------	---------

Transmission

GEARBOX.....	12.08.1
--------------	---------

Clutch housing, Control units for gearbox, Intermediate gear

CLUTCH HOUSING.....	12.09.9
---------------------	---------

Change-speed gearbox, Contr. hydr. front whell drive, Contr. hydr./diff. lock, Control assy. hydr. PTO shaft, rear

GEAR CHANGE BOX.....	12.11.74
GEAR CHANGE BOX.....	12.11.75
GEAR CHANGE BOX.....	12.11.76
GEAR CHANGE BOX.....	12.11.77
GEAR CHANGE BOX.....	12.11.78

Control assy intermediate gear, Gearshift assembly

GEAR SHIFTING.....	12.12.9
--------------------	---------

Control assy. PTO shaft, rear

GEAR SHIFTING.....	12.14.12
--------------------	----------

Change speed gearbox

DRIVE.....	12.22.7
DRIVE.....	12.22.8

Bevel drive, Intermediateshaft

BEVEL WHEEL GEAR.....	12.23.1
INTERMEDIATE SHAFT.....	12.23.2

Differential unit

DIFFERENTIAL.....	12.24.1
-------------------	---------

Control Assy. for diff. lock, Differential lock

DIFF. GEAR LOCK.....	12.25.1
----------------------	---------

Front whell drive control, Planetary drive, Rear axle

REAR AXLE.....	12.27.1
REAR AXLE.....	12.27.2

PTO guard w/o guide rail

P.T.O. GUARD.....	12.63.2
-------------------	---------

PTO guard, rear, PTO shaft, rear

P.T.O. SHAFT.....	12.77.17
P.T.O. GUARD.....	12.77.18

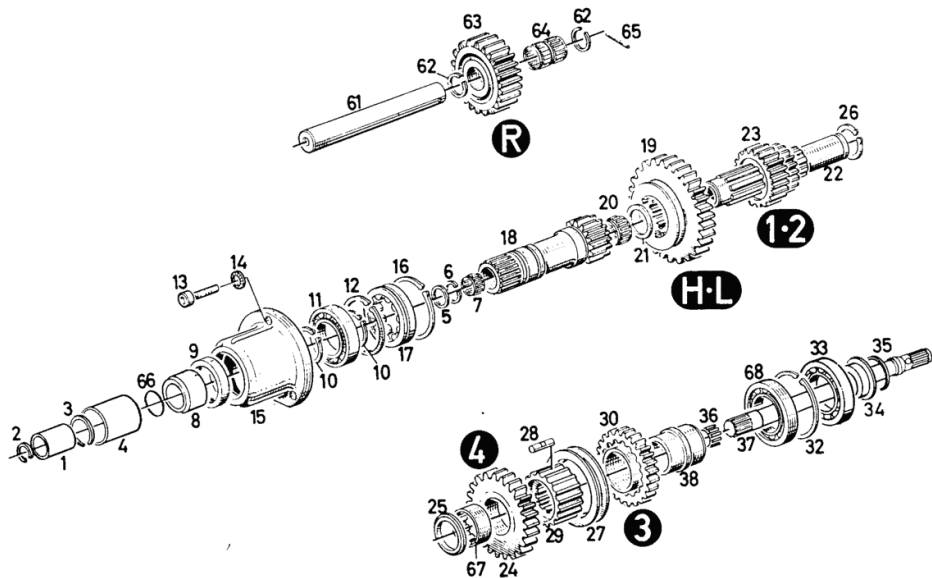
Section: GEARBOX, CLUTCH
GEAR CHANGE BOX

Fig.	Code	QTY	Name
1	04311906	1	sleeve
2	01107808	1	ring DIN 000472- 19X1
3	01167227	1	circlip H 002259- 37X1,5
4	04311908	1	pipe fitting
5	01170600	1	'o' ring H 002939-G 22X 28X 4-NBR70
6	01167222	1	circlip H 002259- 26X1,2
7	01168792	1	bearing H 004455-U 22 X 26X13
8	04311915	1	ring
9	01172885	1	'o' ring
10	01107755	1	ring 40 x 1,75, d471 DIN 000471- 40X1,75
11	01122274	1	ball bearing DIN 000625- 6008-2Z
12	01107846	1	ring DIN 000472- 68X2,5
13	01110561	3	screw m8x20 d912-10 DIN 000912- M 8 X 20 -10.9-A4 C
14	01169689	3	washer H 002203- 8
15	04311910	1	cover
16	01117455	1	circlip DIN 005417-SP 72
17	01117371	1	roller bearing DIN 005412-RNU 207 N
18	04311911	1	shaft
19	03392351	1	gear Z=39
20	01168738	1	workshop tool H 004455-NK 30 X 35X17
21	04302853	1	ring
22	03392256	1	shaft
23	02309697	1	bearing 21/17
24	03392245	1	gear
25	03392201	1	shim
26	01167218	1	ring 35x1,5 H 002258- 35X1,5
27	03392206	1	sleeve



WECHSELGETRIEBE - HAUPTWELLE DOPPELKUPPLUNG
TRANSMISSION - MAIN SHAFT DUAL CLUTCH
BOITE DE VITESSES - ARBRE PRINCIPAL EMBRAYAGE BIDISQUE
CAJA CAMBIO - EJE PRINCIPAL EMBRAGUE DOBLE

1446-11503 9993



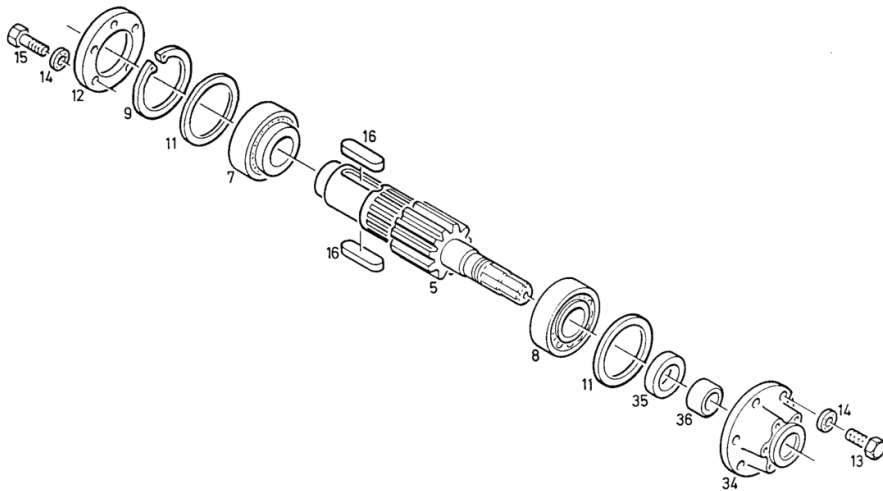
Section: GEARBOX, CLUTCH
INTERMEDIATE SHAFT

Fig.	Code	QTY	Name
5	03392356	1	shaft LONG Z=58/16 TW 35,1
7	01101386	1	bearing DIN 000720-303 10-A
8	01101339	1	roller bearing DIN 000720-323 10-A
9	01107863	1	circlip DIN 000472-110X4
11	03392503	0	shim OPTION ITEM... A=2,0MM 950-955
12	03392494	1	cover
13	01112326	6	screw m 8 x 22 ISO 004017-M 8 X 22 - 8.8-A4C
14	01169689	11	washer H 002203- 8
15	01112299	5	screw m 8 x 12, d933 ISO 004017-M 8 X 12 - 8.8-A4C
16	01118157	2	spring washer DIN 006885-A16X10 X 60
34	04313137	1	support
35	01173817	1	'o' ring H 002940-AS 50X 72 X12 -NI
36	04336088	1	ring
950	03392504	0	shim A=2,1 MM
951	03392505	0	shim A=2,2 MM
952	03392508	0	shim A=2,5 MM
953	03392511	0	shim A=2,8 MM
954	03392513	0	shim A=3,0 MM
955	03392522	0	shim A=5,5 MM

**DEUTZ
FAHR** ZWISCHENWELLE
INTERMEDIATE SHAFT
ARBRE INTERM.
EJE INTERMEDIO

1435-23 503 5219

2



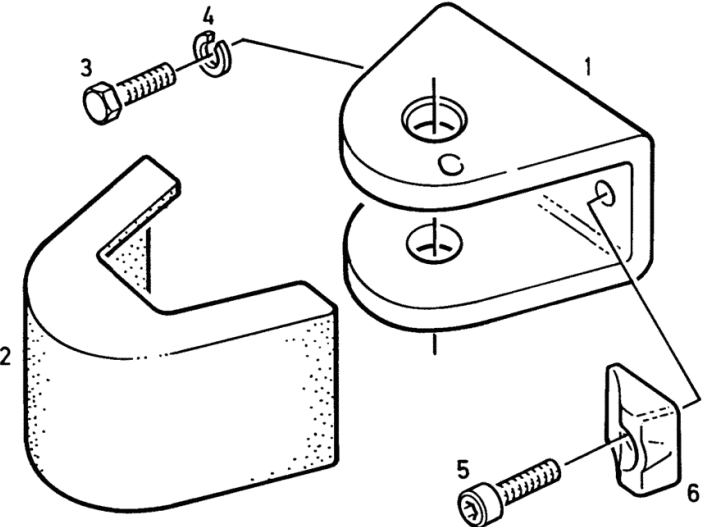
Section: HITCH
CATCHING MOUTH

Fig.	Code	QTY	Name
1	02377119	1	tow hook
2	02377120	1	tube
3	01112624	2	bolt
4	12151279	2	spring washer
5	01110815	2	screw
			DIN 000933-M14 X 40 - 8.8-A4C
			DIN 000912- M14 X 40 - 8.8-A4
			C
		2	spacer

DEUTZ FAHR
 FANGMAUL
 CLEVIS
 BOUCHE DI ARRET
 BOCA ENCASTRE

1003-32 503 5618⁶

04388687



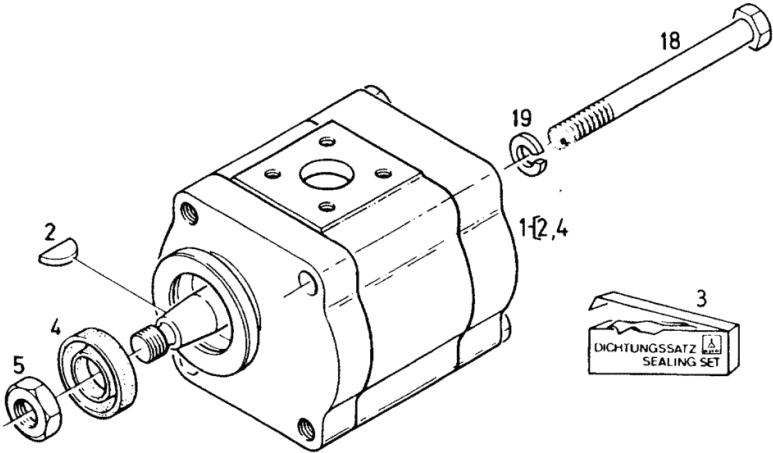
Section: HYDRAULIC SYSTEM
HYDRAULIC PUMP

Fig.	Code	QTY	Name
1	01175656	1	pump
2	01118323	1	key DIN 006888- 3 X 5
3	01263181	0	gasket set
4	01320806	1	'o' ring
5	01262635	1	nut
18	01152358	2	screw DIN 000931- M10 X110 - 10.9-A -OIL SPEED
19	01102800	2	washer 10.2 DIN 000128-A 10 -FST -A4C

DEUTZ FAHR
 HYDRAULIKPUMPE
 HYDRAULIC PUMP
 POMPE HYDRAULIQUE
 BOMBA HIDRAULICA

(BOSCH) 16 CCM/U

1952-01504 3757



Section: HYDRAULIC SYSTEM
CONTROL DEVICE

DEUTZ FAHR
 REGELSTEUERGERÄT
 MAIN CONTROL UNIT
 DISTRIBUTEUR PRINC
 APTO. MANDO REGULAD

1952-06 503 5043

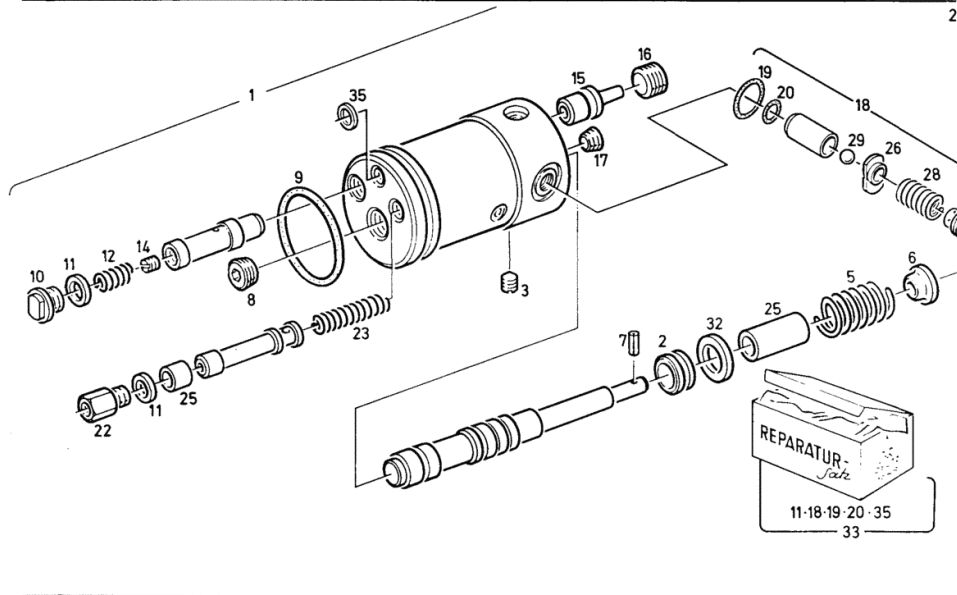


Fig.	Code	QTY	Name
1	04357435	1	control unit
2	02300903	1	ring
3	01108013	1	pin ISO 007434-M 6X 8-14H-A4C
5	03401306	1	spring
6	03401280	1	cup
7	01115400	1	pin ISO 008752- 2,5X 12
8	01152286	1	screw DIN 000906-M18X1,5-ST-A4C
9	01166080	1	'o' ring H 002927- 50 X 4 -NBR-1-60
10	04340619	1	screw
11	01118707	2	ring 16 DIN 007603-A 16 X 22 -CU
12	03401307	1	spring
14	01107434	1	pin DIN 000417-M 6 X 10-14H
15	02374004	1	plug
16	02300897	1	screw
17	01151431	1	screw DIN 000906-M16X1,5-ST-A4C
18	04317762	1	valve
19	01169763	1	'o' ring H 002927- 18 X 2 -NBR-1-70
20	02306576	1	rubber plug
22	02300901	1	spring
23	01124758	1	screw DIN 000908-M16X1,5-ST
25	02334457	1	spacer
26	03401309	1	none
28	02377175	1	spring
29	01116956	1	ball DIN 005401- 8 MM-III
32	01151185	1	washer DIN 000433-13 -200HV
33	02386039	0	sub-assy parts
34	02384642	1	plug
35	03401325	1	'o' ring

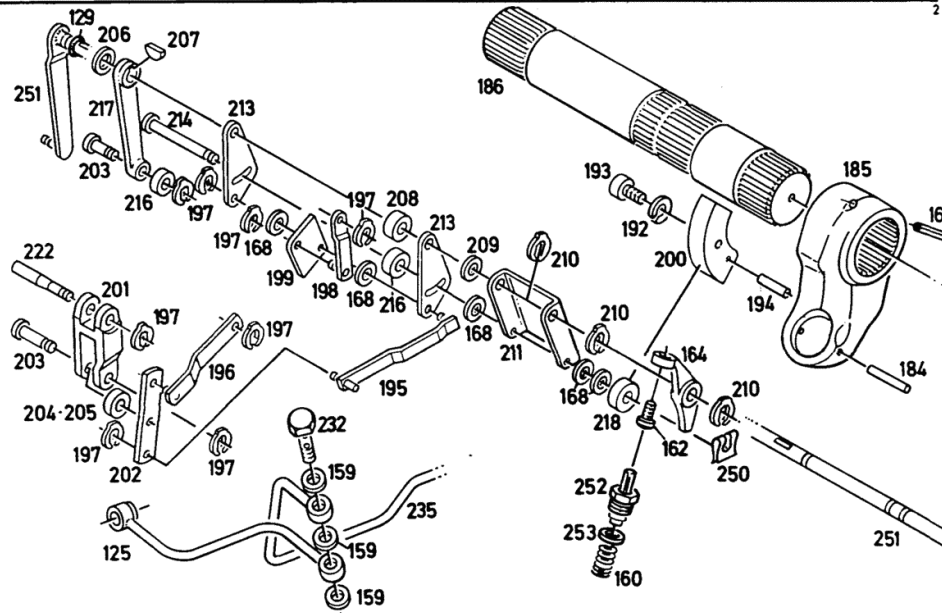
Section: HYDRAULIC SYSTEM
POWER LIFT

Fig.	Code	QTY	Name
211	03401401	1	pointer
213	03401407	2	link
214	03401406	1	pin
216	03401378	2	roller A=20,0 MM.
217	03401408	1	lever
218	02319764	0	roller INDIVIDUAL PARTS SEE ITEM...
			204,205,216+956-960
222	02331953	1	pin
232	03315353	1	pipe union
235	02306225	1	bushing
250	01175655	1	stop H 002205-K 8 -FE/ZN12CC
251	04371148	1	shaft
252	04343366	1	valve
253	01118673	1	'o' ring DIN 007603-A 12 X 15,5-CU
950	03401422	0	ring A=1,0 MM.
951	01107558	0	washer DIN 000433-17 -140HV-A4C
952	03401423	0	ring A=3,0 MM.
953	03401424	0	ring A=4,0 MM.
954	03401425	0	ring A=5,0 MM.
955	02309888	0	ring A=0,5 MM.
956	03401379	0	roller A=24,5 MM.
957	03401380	0	roller A=26,0 MM.
958	03401381	0	roller A=27,5 MM.
959	03401382	0	roller A=29,0 MM.
960	03401383	0	roller A=30,5 MM.

DEUTZ FAHR KRAFTHEBERANLAGE
HYDRAULIC SYSTEM
RELAVAGE HYDRAULIQUE DTS
SISTEMA DE ELEVADOR HIDRAULICO


K 45

1952-08 503 9946



Section: HYDRAULIC SYSTEM
FINAL CONTROL DEVICE

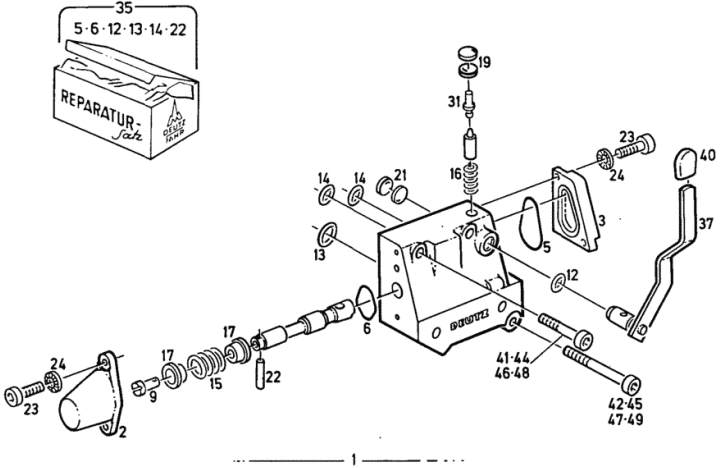
Fig.	Code	QTY	Name
48	01137090	2	LGESCHW screw DIN 000912- M 8 X160 -10.9-A4 C
49	01123703	1	screw DIN 000912- M 8 X170 -10.9-A4 C


 ENDSTEUERGERÄT
 TERMINAL UNIT
 DISTRIBUTEUR TERM.
 APTO. MANDO FINAL

DEUTZ

1804-40 503 5268

2



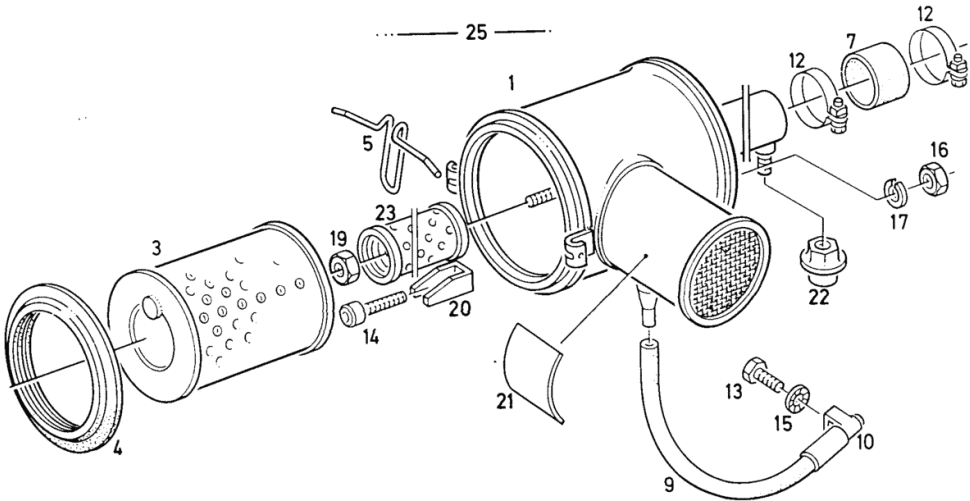
Section: MOTOR SUPPLY
DRY AIR FILTER

Fig.	Code	QTY	Name
1	02374936	1	filter casing
3	02339813	1	air filter element
4	02372778	1	'o' ring
5	02374896	1	brace
7	01165397	1	rubber sleeve H 000650-A 70X 80X 65
9	02315967	1	flexible hose
10	02315968	1	pipe union
12	01166417	2	hose clip H 000735-S 80 X 15
13	01123746	1	screw ISO 004017-M 5 X 10 - 8.8-A4C
14	01151498	3	screw DIN 000912- M 8 X 16 -10.9
15	01167193	1	ring H 002203- 5
16	01112824	3	nut m 8, d934 ISO 004032-M 8 - 8-A4C
17	01107101	3	washer 8.4 DIN 000125-A 8,4-140HV-A4C
19	01136452	1	nut vm 8 d980 DIN 000980-VM 8 - 8-A4C GEWAC HST
20	02386503	3	support
21	04308606	1	plate
22	01180698	1	sensor H 004137- WS 50 SCHLIE~ER
23	04308634	1	air filter element
25	02375053	1	air filter



TROCKENLUFTFILTER
DRY-TYPE AIR CLEANER
EPURATEUR D'AIR DU TYPE SEC
FILTRO DE AIRE EN SECO

1002-43 503 9952



CLICK HERE TO **DOWNLOAD** THE COMPLETE MANUAL

- Thank you very much for reading the preview of the manual.
- You can download the complete manual from: www.heydownloads.com by clicking the link below



- Please note: If there is no response to CLICKING the link, please download this PDF first and then click on it.

CLICK HERE TO **DOWNLOAD** THE COMPLETE MANUAL