

AgroXtra 3.57

BRAKE

Control assy./servise brake, Parking brake

HAND BRAKE.....	13.29.1
OPERATION - PARKING BRAKE - HAND BRAKE LEVER.....	13.29.3
OPERATION - PARKING BRAKE - RODS.....	13.29.4

Service brake, Contral assy./service brake

REAR WHEEL BRAKE - DISC BRAKE - HYDR. REAR.....	13.30.1
SERVICE BRAKE - DISC BRAKE ON CARDAN SHAFT.....	13.30.2
OPERATION - SERVICE BRAKE.....	13.30.6
OPERATION - SERVICE BRAKE - DISC BRAKE.....	13.30.7
OPERATION - SERVICE BRAKE - DISC BRAKE.....	13.30.8
OPERATION - SERVICE BRAKE - DISC BRAKE.....	13.30.9

Hydr. brake for trailer

HYDRAULIC BRAKE FOR TRAILER.....	13.56.1
----------------------------------	---------

CLICK HERE TO **DOWNLOAD** THE COMPLETE MANUAL

- Thank you very much for reading the preview of the manual.
- You can download the complete manual from: www.heydownloads.com by clicking the link below



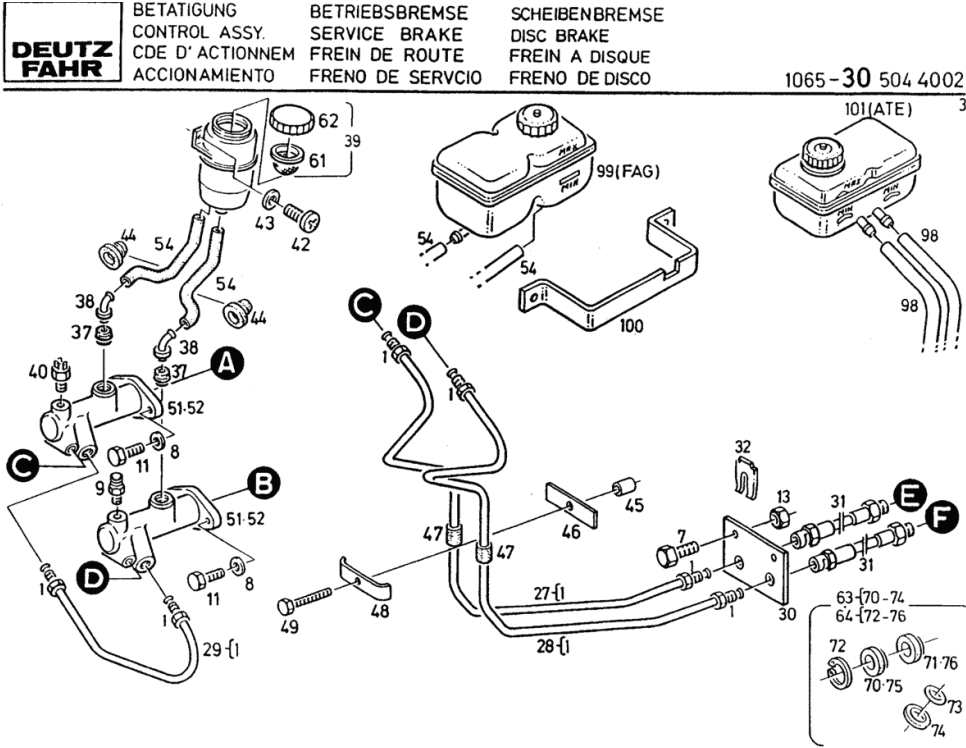
- Please note: If there is no response to CLICKING the link, please download this PDF first and then click on it.

CLICK HERE TO **DOWNLOAD** THE COMPLETE MANUAL

Section: BRAKE

OPERATION - SERVICE BRAKE - DISC BRAKE

Fig.	Code	QTY	Name
			52
64	04382942	0	sub-assy parts TO ITEM...
			51
70	00000000	0	not serviceable
71	00000000	0	not serviceable
72	00000000	0	not serviceable
73	00000000	0	not serviceable
74	00000000	0	not serviceable
75	00000000	0	not serviceable
76	00000000	0	not serviceable
98	04401358	2	flexible hose
99	04393465	1	cup
100	04393428	1	metal strap
101	04317986	1	cup

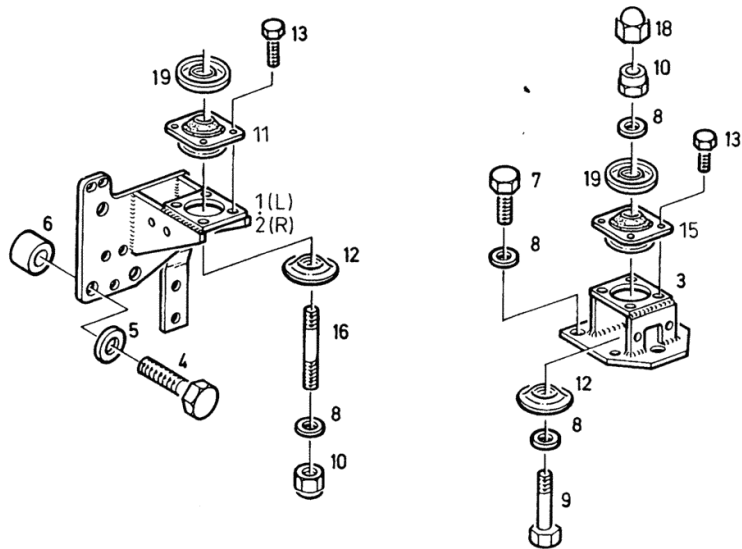


CAB BEARING

DEUTZ FAHR FAHRERHAUSLAGERUNG
 CAB. SUPPORT
 LOGEMENT DE CABINE
 SOPORTE CABINA

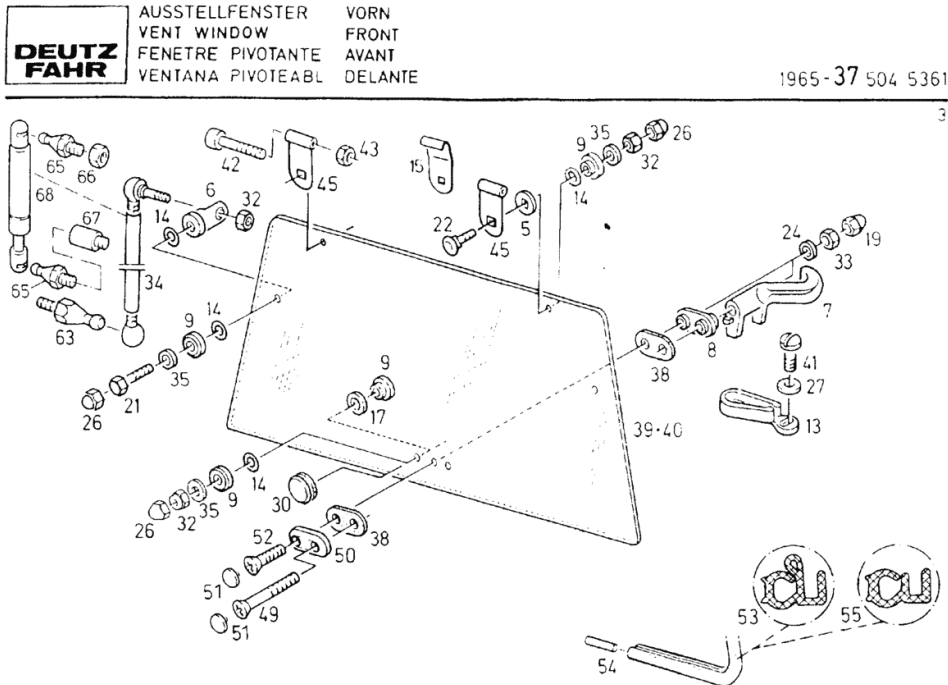
1965-37 504 4054

Fig.	Code	QTY	Name
1	04353941	1	consolle
2	04363754	1	consolle
3	04355827	2	consolle
4	01133646	6	screw ISO 008765- M20X2 X 90 - 8.8-A4C
5	01167055	6	washer 20.5x40 H 000995-20,5X40X 8- 8.8
6	04355924	6	tube
7	01112670	6	screw m16x30 d933 ISO 004017-M16 X 30 - 8.8-A4C
8	01107117	12	washer 17 DIN 000125-A17 -140HV-A4C
9	01111949	2	screw m16x140 d931 ISO 004014- M16 X140 - 8.8-A4C
10	01136464	4	nut m 16 DIN 000980-VM16 - 8-A4C GEWAC HST
11	04356418	2	rubber mount
12	04355054	4	plate
13	01137499	16	screw DIN 000933-M10 X 25 SB- 8.8-A4C
15	04356433	2	rubber mount
16	01144107	2	screw DIN 000939-M16 X 70 - 8.8-A4C
18	01174049	2	tube H 002870-K 24 -PE SOFT-SW
19	04369397	2	plate



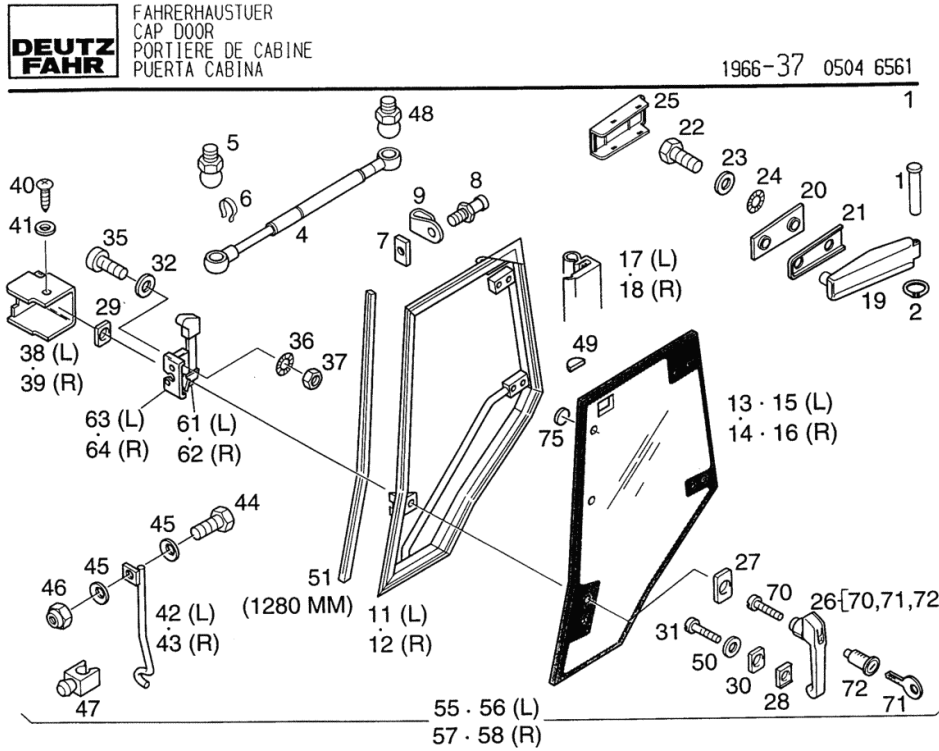
Section: BUILT-ON ACCESSORIES
KNOCKOUT WINDOW FRONT

Fig.	Code	QTY	Name
49	01179463	1	screw H 002093- 7991-AM10 X130 -8.8 ON FIRST REPLACEMENT SUPPLY WITH ITEM.... 8,33,50+51
50	04390400	1	plate ON FIRST REPLACEMENT SUPPLY WITH ITEM.... 8,33,49+51
51	04386948	2	u bolt
52	01179462	1	screw H 002093- 7991- M10 X 35 -8.8 ON FIRST REPLACEMENT SUPPLY WITH ITEM.... 8,33,49,50+51
53	01396764	0	gasket H 846471-22-PN 2 -EPDM 3650 MM
54	01388794	0	parting 9x4,5 H 846482-02-PN 1 80 MM
55	01396762	0	profile H 846471-21-PN 3 -EPDM 3650 MM
63	04345708	1	cap
65	04399070	2	ball joint
66	01112824	2	nut m 8, d934 ISO 004032-M 8 - 8-A4C
67	04399315	2	adjustable tensioner
68	04399081	2	shoch.absorber



CAB DOOR

Fig.	Code	QTY	Name
1	04352893	2	pin
2	01107716	2	ring DIN 000471- 10X1
4	04402639	1	shoch.absorber
5	01175904	1	head H 003605-C 13-SW 11 -FE/ZN12C F
6	01103470	2	pin DIN 071805-S13 -A4C
7	04339161	1	plate
8	04358846	1	pin
9	04359311	1	bracket
11	04402637	1	chassis frame
12	04402638	1	chassis frame
13	04400340	1	glass
14	04400341	1	glass
15	04400342	1	glass TINTED
16	04400343	1	glass TINTED
17	04400350	1	gasket
18	04400351	1	gasket
19	04400063	2	hinge
20	04400401	2	support
21	04400400	2	support
22	01112333	4	screw m 8 x 25, d933 ISO 004017-M 8 X 25 - 8.8-A4C
23	01103826	4	washer DIN 000125-A 8,4-200HV-A4
24	01101492	4	washer 8.2 DIN 006797-A 8,2-A4C
25	04400403	2	cover
26	04378982	1	knob WITH CLOSING CYLINDER
27	04339173	1	support
28	04339163	1	shim
29	04400404	1	support
30	04366744	1	washer
31	01100753	1	screw m6x25 d7985 ISO 007045-M 6X 25 - 4.8-H -A 4C
32	01103550	4	washer DIN 000125-A 6,4-200HV-A4
35	01103389	4	screw m 6 x 20

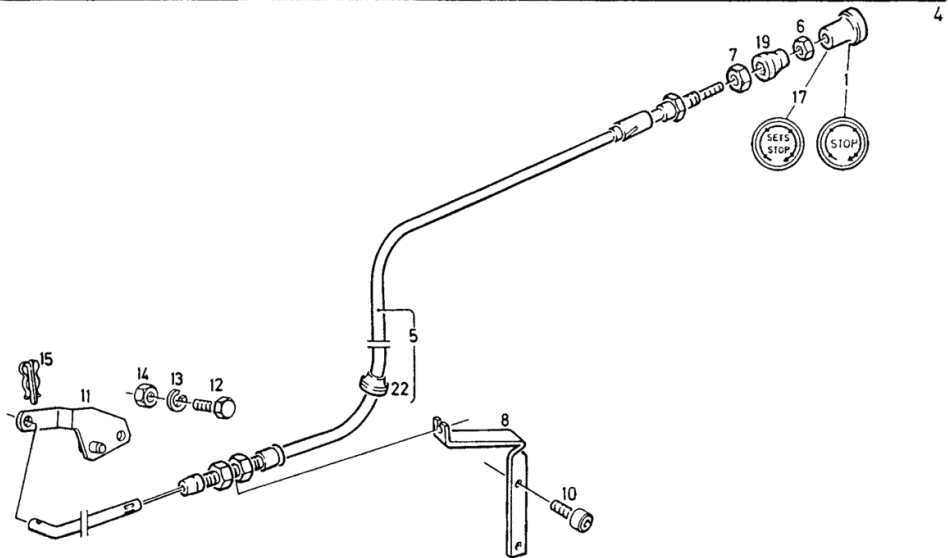


STOP DEVICE

Fig.	Code	QTY	Name
1	04356413	1	knob
5	04359331	1	rod
6	01133595	1	nut ISO 004035- M 5 -04-A4C
7	01113148	1	nut m10x1 d936 DIN 000936-M10X1 -22H-A4C
8	04360455	1	console
10	01110764	2	screw m 12 x 40 DIN 000912- M12 X 40 -10.9-A4 C
11	04359607	1	lever
12	01112240	1	screw m 6 x 12 ISO 004017-M 6 X 12 - 8.8-A4C
13	01102797	1	washer 6, d128 DIN 000128-A 6 -FST -A4C
14	01112813	1	nut m 6 DIN 000934-M 6 - 8-A4C
15	01175743	1	split pin H 002470-A 6X2 -FE/ZN12CC
17	04356412	1	button FINLAND-SWEDEN-NORWAY
19	04357210	1	spacer
22	04304550	1	sleeve

**DEUTZ
FAHR**
 ABSTELLVORRICHTUNG
 SHUTDOWN DEVICE
 DISPOSITIF ARRET
 DISPOS. PARADA

1065-47 504 3852



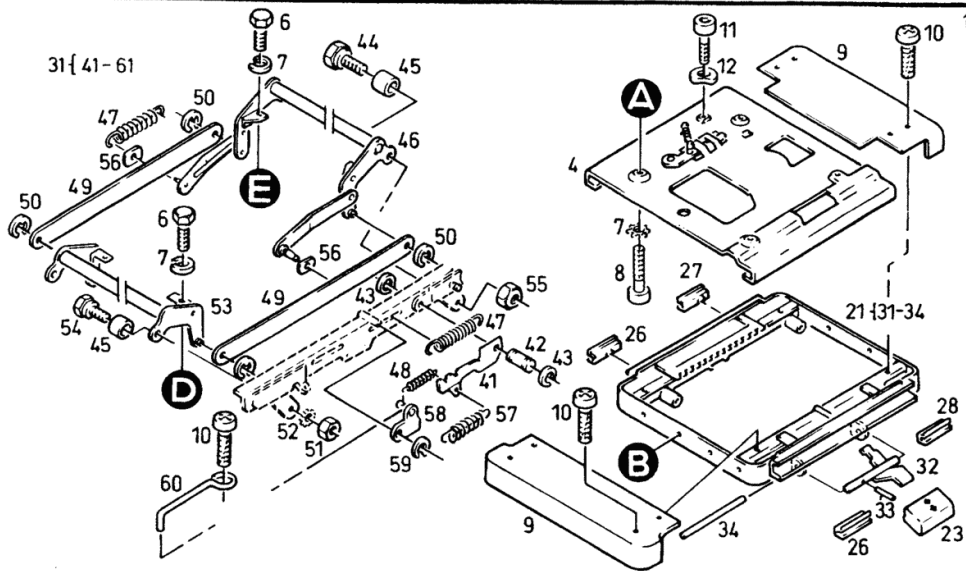
DRIVER'S SEAT -FIT-ISRINGHAUSEN

Fig.	Code	QTY	Name
55	01136452	2	nut vm 8 d980 DIN 000980-VM 8 - 8-A4C GEWAC HST
56	04360290	2	bushing
57	04360264	1	spring
58	04360292	1	contact surface
59	01103870	1	washer
60	04360293	1	support DIN 006799- 4-A4C

**DEUTZ
FAHR**
FAHRERSITZ
DRIVER'S SEAT
SIEGE DE CONDUCT
ASIENTO CONDUCTOR

FIT - ISRINGHAUSEN

1101 - 54 504 6081



DRIVER'S SEAT -AEROFIT-ISRINGHAUSEN



FAHRERSITZ
DRIVER'S SEAT
SIEGE DE CONDUCTEUR
ASIENTO CONDUCTOR

AEROFIT - ISRINGHAUSEN

1063-54 0504 6258

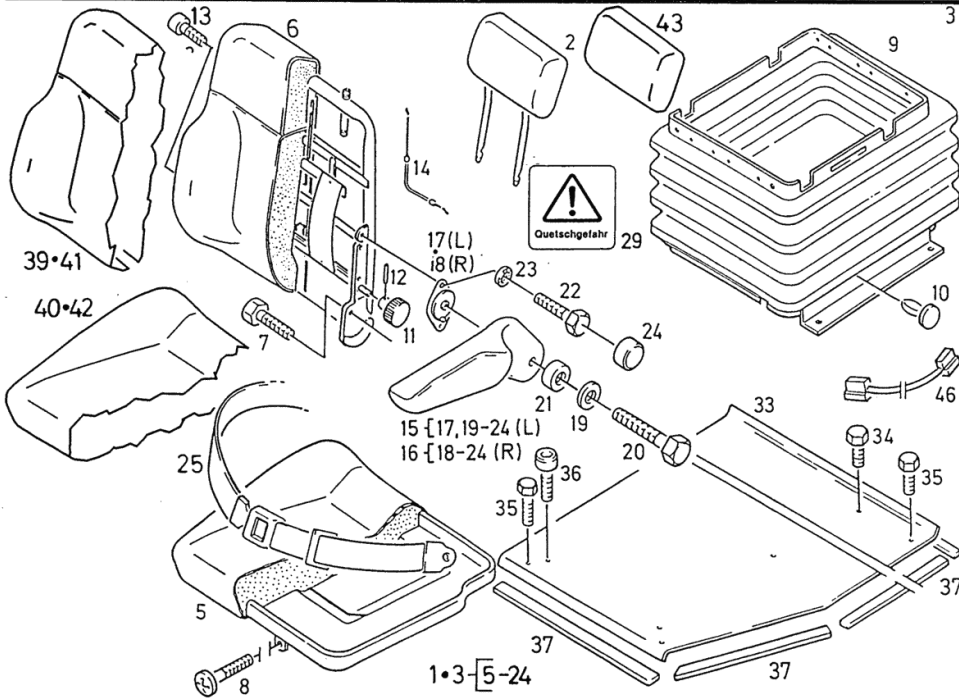


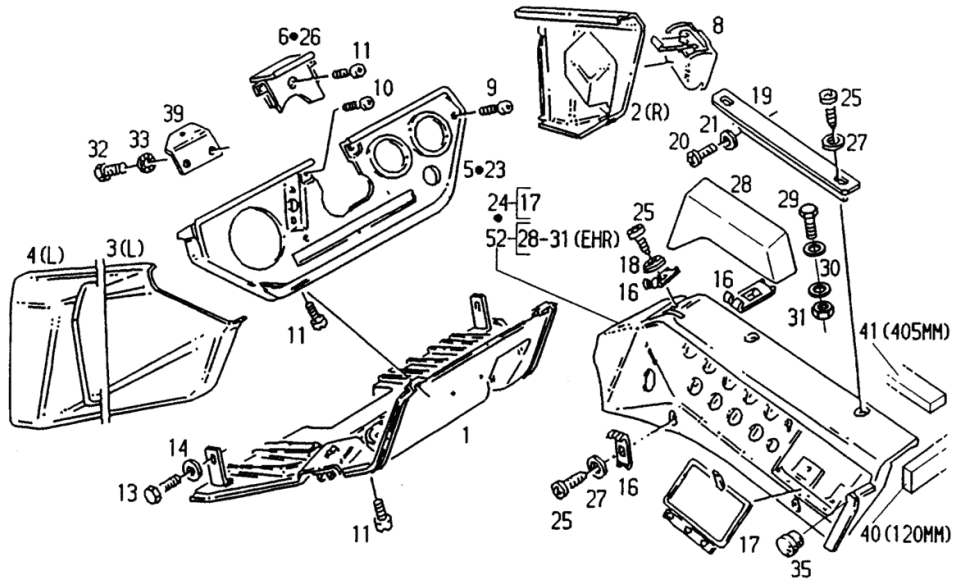
Fig.	Code	QTY	Name
1	04385472	1	seat
2	04399883	1	backrest
3	04399882	1	seat
5	04402539	1	padding
6	04402439	1	backrest
7	01143117	1	screw DIN 000933-M 8 X 16 Z1-ST- 8.8-A4C
8	01119633	2	screw m 5 x 16 ISO 007045-M 5X 16 - 4.8-H -A 4C
9	04385716	1	guard
10	04360859	16	button
11	04385689	1	hand wheel
12	01115410	1	pin ISO 008752- 3 X 24
13	01119625	1	screw DIN 007984-M 8 X15 -A4C
14	04360297	1	crate
15	04385682	1	small arm
16	04385681	1	small arm
17	00000000	0	not serviceable
18	00000000	0	not serviceable
19	01138374	1	washer 8,4x21x4 DIN 007349- 8,4-ST-A4C
20	01112322	1	screw m 8 p.1.25 x 20 ISO 004017-M 8 X 20 - 8.8-A4C
21	00000000	0	not serviceable
22	01112307	2	screw m 8 p.1.25 x 15, d933 ISO 004017-M 8 X 16 - 8.8-A4C
23	01101492	2	washer 8.2 DIN 006797-A 8,2-A4C
24	01174042	1	cap H 002870-K 13 -PE SOFT-SW
25	04385438	1	safety belt
29	04373911	1	plate
33	04383761	1	plate
34	01173033	1	screw H 002093- 933-M 8 X 20- 8.8
35	01171732	6	screw H 002093- 933-M 8 X 16- 8.8
36	01172760	4	screw H 002093- 912-M 8 X 16 - 8.8
37	01395062	0	gasket

Section: BUILT-ON ACCESSORIES
DASHBOARD BOX

**DEUTZ
FAHR** ARMATURENKASTEN
 INSTRUMENT BOX
 BOITE D'INSTRUMENTS
 CAVA INSTRUMENTOS

1065-55 0504 3704

Fig.	Code	QTY	Name
30	01119810	10	washer 6.4 DIN 009021- 6,4-100HV-A4C
31	01112813	3	nut m 6 DIN 000934-M 6 - 8-A4C
32	01112307	2	screw m 8 p.1.25 x 15, d933 ISO 004017-M 8 X 16 - 8.8-A4C
33	01107286	2	washer b10 d137 DIN 000137-B10-FST-A4C
35	04357741	6	cap
39	04354855	1	square
40	01390699	0	gasket H 846471-03-PN 1
41	01395062	1	gasket H 842081-A 5X 10 -PUR-1-GR-GI T
52	04392293	1	consolle



Section: BUILT-ON ACCESSORIES
CONTROL CONSOLE

**DEUTZ
FAHR** STEUERKONSOLE
 CONTROL CONSOLE
 CONSOLE COMMANDE
 CONSOLA MANDO

1045-75 0504 3835

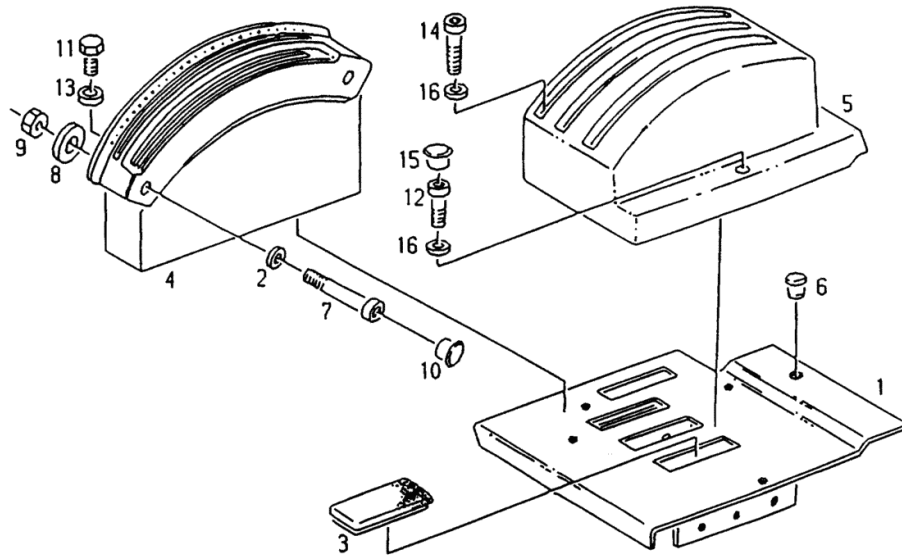


Fig.	Code	QTY	Name
1	04355244	1	saddle
2	01107101	2	washer 8.4 DIN 000125-A 8,4-140HV-A4C
3	04313364	4	cover
4	04338555	1	throttle slide
5	04350087	1	cover
6	01167319	1	bottom H 002873-A 16,6X 13,5X21 -PE WEICH-SW
7	01110614	2	screw m8x70 d912 DIN 000912- M 8 X 70 - 8.8-A4 C
8	02312618	2	washer
9	01112824	2	nut m 8, d934 ISO 004032-M 8 - 8-A4C
10	01167323	2	bottom H 002873-A 19 X 16,3X 9,5-PE WEICH-SW
11	01112307	1	screw m 8 p.1.25 x 15, d933 ISO 004017-M 8 X 16 - 8.8-A4C
12	01123699	2	screw m 8 x 30 DIN 000912- M 8 X 30 - 8.8-A4 C
13	01107283	1	washer 8.2 DIN 000137-B 8-FST-A4C
14	01101405	1	screw DIN 000912- M 8 X 50 - 8.8-A4 C
15	04394741	2	cap
16	01177877	3	washer H 002308- 8,4X14X1,5 -A4C

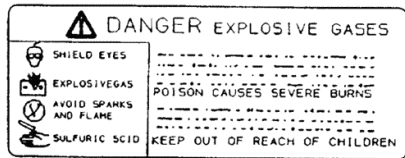
BATTERY

Fig.	Code	QTY	Name
1	01178118	1	battery H 821300-12V143 AH-UGF+GL
2	01174689	1	battery H 821300-12V170/180AH-UGF+GL
3	04372893	1	plate
4	01177864	1	battery H 821300-12V110/120AH-UGF+GL
5	01135985	1	battery H 821300-12V 88 AH-UGF+GL

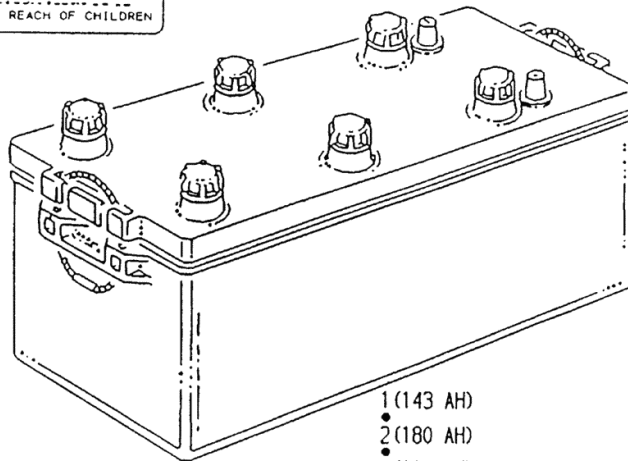


1252-49 0504 5221

3



3



- 1 (143 AH)
- 2 (180 AH)
- 4 (110 AH)
- 5 (88 AH)

CABLE HARNESS - ADDITIONAL PARTS - P.T.O. SHAFT

Fig.	Code	QTY	Name
15	01172065	2	clamp 4.6 x 146 H 007672-G 146X 4,6
25	01175754	1	switch
28	01167422	1	rubber bushing H 002928-D10 X13 X 4 -GI DEUT Z 1
345	04369087	1	cable
346	04369202	1	wire
438	04391408	1	cable
439	04391409	1	tube
440	02333803	1	tube



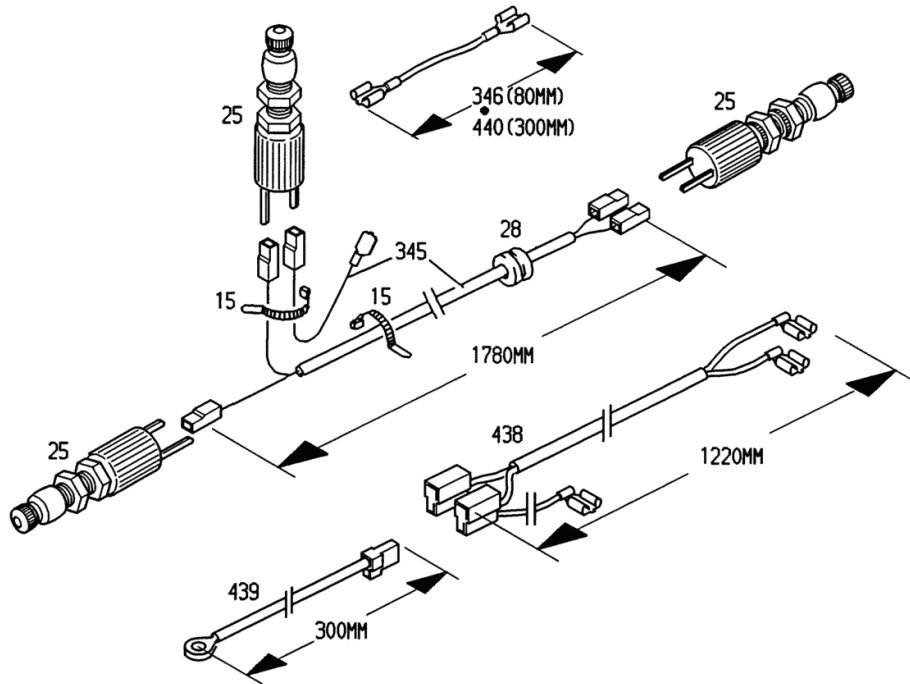
KABELSATZ
SET OF WIRINGS
JEU DE CABLES
JUEGO DE CABLES

ZUSATZTEILE
AUXILIARIES
COMPLEMENTOS
PZAS ADICIONALES

ZAPFWELLE
PTO-SHAFT
PRICE DE FORCE
EJE TOMAS D. FUERZA

1065-49 0504 5479

4



Section: ELECTRIC AL SYSTEM

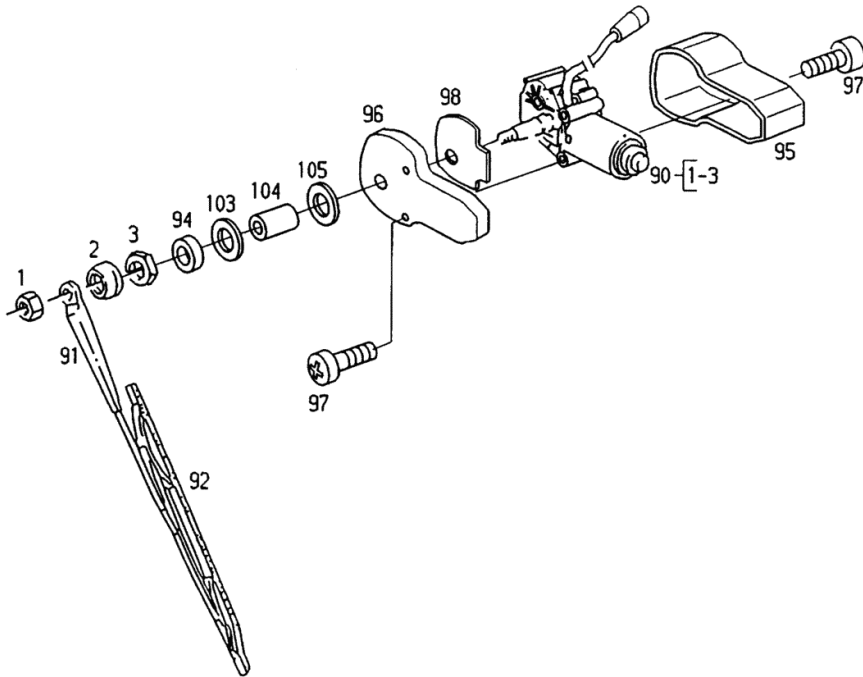
SCREEN WIPER IN THE FRONT WINDSCREEN

Fig.	Code	QTY	Name
1	01112824	1	nut m 8, d934 ISO 004032-M 8 - 8-A4C
2	04363244	1	tube
3	12022082	1	nut
90	04391465	1	wiper motor
91	04391466	1	arm
92	01262246	1	wiper blade
94	04391467	1	washer
95	04392649	1	panel
96	04392652	1	shim
97	01172948	2	screw H 002093- 7985-M 6X 12 -4.8 - H
98	04392645	1	support
103	01107117	1	washer 17 DIN 000125-A17 -140HV-A4C
104	01101435	1	tube DIN 040621-B16 X1 -SW
105	04392644	1	washer

DEUTZ FAHR SCHEIBENWISCHER IN DER FRONTSCHIEBE
 WINDSCREEN WIPER IN THE WINDSCREEN
 ESSUITE-GLACE IN THE WINDSCREEN
 LIMPIA PARABRISAS AVANT LA PARE-BRISE
 EN EL CRISTAL DELANTERO

1101-49 0504 6315

0

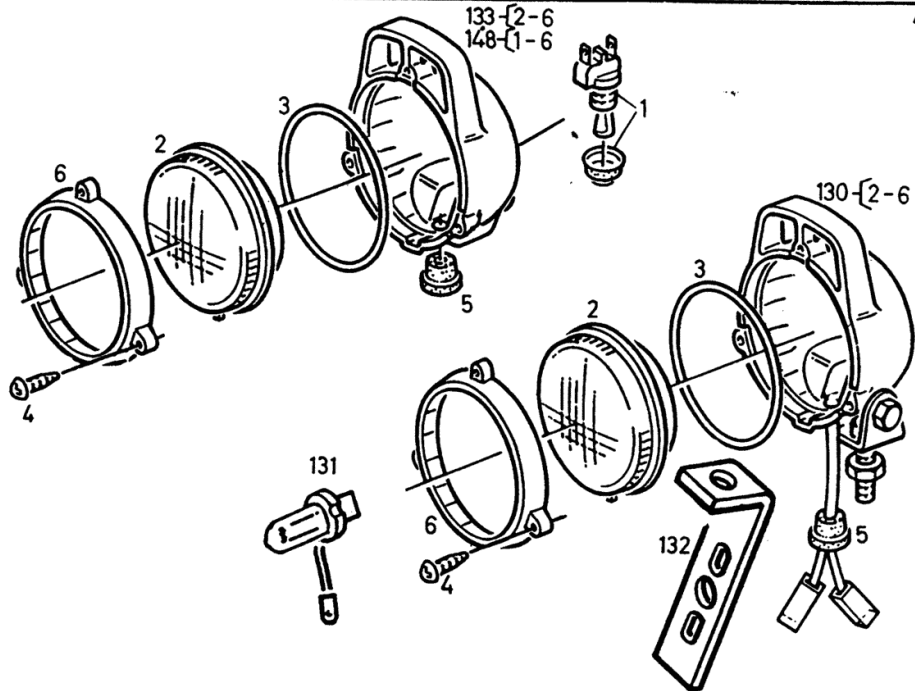


Section: ELECTRIC AL SYSTEM
WORKING SPOTLIGHT

DEUTZ FAHR
 ARBEITSSCHEINWERFER
 WORK LAMP
 PROJECTEUR DE TRAV.
 FARO TRABAJO

1065 - 49 504 4088

Fig.	Code	QTY	Name
1	04311820	1	switch
2	04311815	1	reflector
3	04311817	1	'o' ring
4	01175672	3	screw H 002093- 7981-ST3,9X19 -C -H
5	04311819	1	rubber ring
6	04311816	1	ring
130	04355910	1	headlight WITHOUT ITEM... 1
131	01102258	2	lamp H3 DIN 072601-YC 12V 55 W
132	04354542	2	consolle
133	04356441	1	headlight WITHOUT ITEM... 1
148	04356442	1	headlight WITH ITEM 1

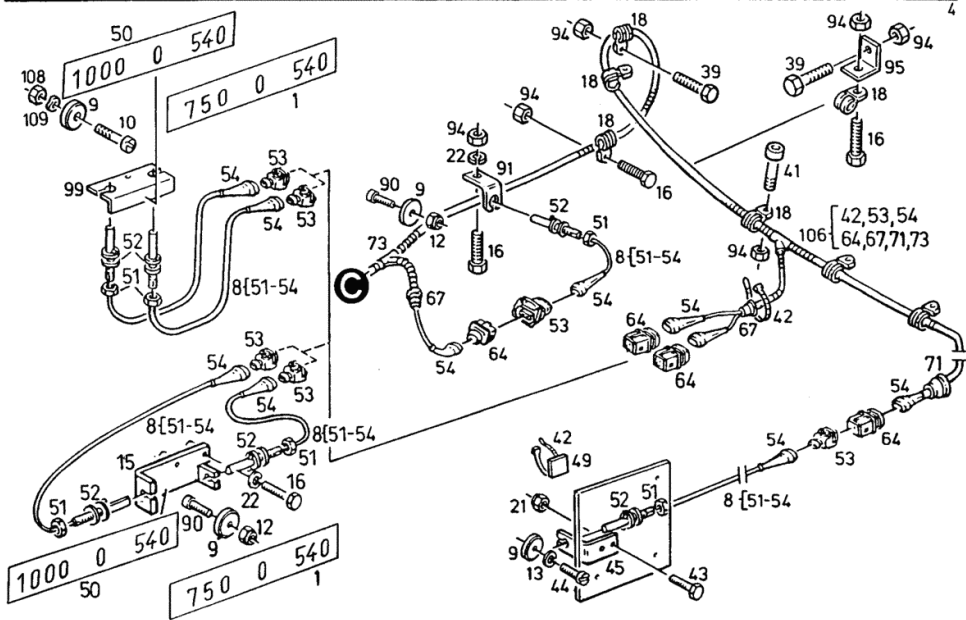


AGROTRONIC

Fig.	Code	QTY	Name
67	04190238	3	rubber bushing
71	01173353	1	sleeve H 002928-N10-14 CR-SW
73	04190248	1	distributor
90	01105515	1	screw am 4x16 d84 ISO 001207- M 4 X 16- 4.8- A4 C
91	04382045	1	console
94	01112824	8	nut m 8, d934 ISO 004032-M 8 - 8-A4C
95	04324309	1	square
99	04382031	1	console
106	04391461	1	cable
108	01112796	1	stop m4 d934 ISO 004032-M 4 - 8-A4C
109	01126724	1	spring disc DIN 000137-B 4-FST-A4C



1068-81 504 5458



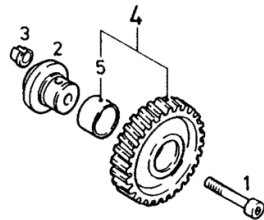
Section: ENGINE
INTERMEDIATE GEAR BEARING

Fig.	Code	QTY	Name
1	01110688	1	screw DIN 000912- M10 X 60 -10.9-A4 C
2	04156284	1	pin
3	04156283	1	sleeve
4	04153996	1	gear wheel WITH ITEM
5	03362538	1	5, bushing



Zwischenradlagerung
 Idler gear bearing
 Tourillon de pignon intermédiaire
 Soporte para rueda intermedia

0150-01-505 12 17



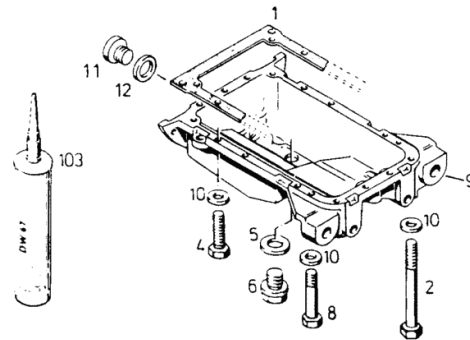
Section: ENGINE
OIL PAN

Fig.	Code	QTY	Name
1	03362573	1	gasket
2	01111213	5	screw m 8 x 110 ISO 004014- M 8 X110 - 8.8-A4 C
4	01112341	12	screw m 8 x 30, d933 ISO 004017-M 8 X 30 - 8.8-A4C
5	01118737	1	'o' ring 22 x 27 DIN 007603-A 22 X 27 -CU
6	01139720	1	screw DIN 000910- M22X1,5 -ST-A4C
8	01124457	2	screw m 8 x 45 ISO 004017-M 8 X 45 - 8.8-A4C
9	04152007	1	oil pan
10	01107101	19	washer 8.4 DIN 000125-A 8,4-140HV-A4C
11	01139505	1	screw DIN 000908-M48X1,5-ST
12	01118841	1	'o' ring DIN 007603-A 48 X 55 -CU
103	01016120	1	compound H 000699-DEUTZ DW 47- 310 ML



Oilwanne
Oil pan
Carter d'huile
Sumidero de aceite

0150-02-504 2195



Section: ENGINE
CYLINDER HEAD PIECE/CYL.-UNIT



Zylinderkopf
 Cylinder head
 Culasse
 Culata

Stück / Zyl - Einheit
 Pieces / cyl. unit
 Qté / cylindre
 Cantid. / unid. cilind.

0150-08-505 1139

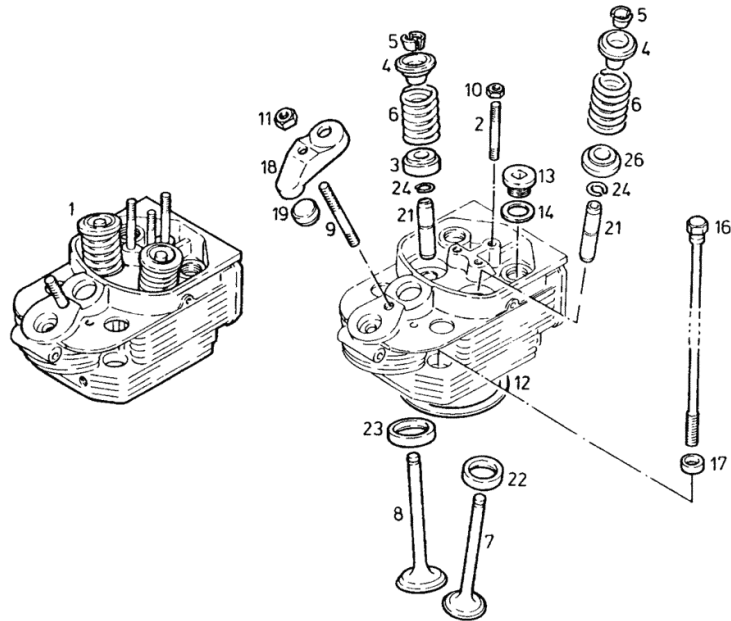


Fig.	Code	QTY	Name
			SEE ITEM (B) 45,66 MM, 955-957
24	01215500	2	circlip
950	02233020	2	valve guide 1ST OVERSIZE 15,25 MM
951	02233021	2	valve guide 2ND OVERSIZE 15,50 MM
952	02137307	1	screw mm 40.26 1ST OVERSIZE 40,26 MM
953	02137308	1	ring mm 40.36 2ND OVERSIZE 40,36 MM
954	02137309	1	ring mm 40.46 3RD OVERSIZE 40,46 MM
955	02137303	1	ring 1ST OVERSIZE 45,76 MM
956	02137304	1	ring 2ND OVERSIZE 45,85 MM
957	02137305	1	ring 3RD OVERSIZE 45,96 MM

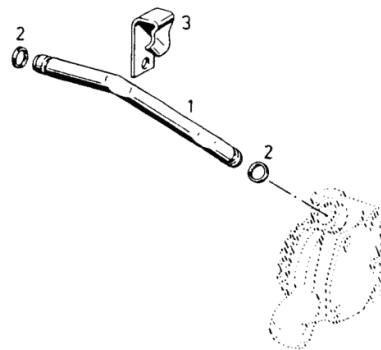
Section: ENGINE
PRESSURE OIL LINE

Fig.	Code	QTY	Name
1	02239984	1	tube
2	01174605	2	'o' ring H 002927- 14,5 X 3 -ACM-1-70
3	02237494	1	spring



Druckleitung
 Pressure oil pipe
 Conduite d'huile sous pression
 Tuberia de aceite a presión

0150-16-503 7753



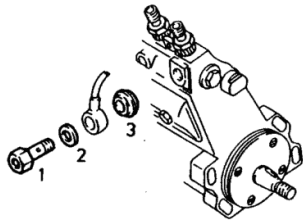
Section: ENGINE
OVERFLOW VALVE

Fig.	Code	QTY	Name
1	02135002	1	valve DIN 073368-E0,2-0,3
2	01118693	1	gasket 14x20 DIN 007603-A 14 X 20 -CU
3	01216306	1	distributor H 002914- 14



Überströmventil
 Overflow valve
 Valve de décharge
 Válvula de rebosamiento

0150-17-0500 3451



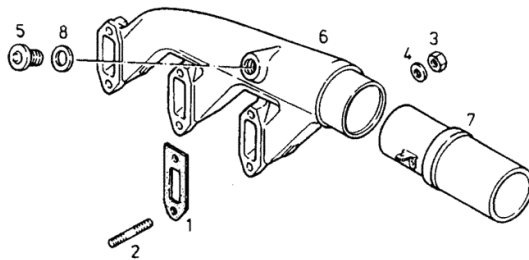
Section: ENGINE
INTAKE TUBE

Fig.	Code	QTY	Name
1	04157248	3	gasket CONTAINS ASBESTOS ASBESTOS-FREE, SEE ITEM 950
2	01104122	6	screw m8x35 d835-10 DIN 000835-M 8 SN4X 35 -10.9- A4C
3	01112824	6	nut m 8, d934 ISO 004032-M 8 - 8-A4C
4	01107101	6	washer 8.4 DIN 000125-A 8,4-140HV-A4C
5	06208701	1	screw DIN 000908-M20X1,5-ST-ZNPHRF
6	02135532	1	pipng
7	01172919	1	tube H 824612- 10,5L
8	01118726	1	'o' ring DIN 007603-A 20 X 24 -AL
950	04157248	3	gasket ASBESTOS-FREE CONTAINS ASBESTOS SEE ITEM 001



Saugrohr
 Suction pipe
 Tube d'aspiration
 Tubo de aspiración

0150 - 22-0504 2212



CLICK HERE TO **DOWNLOAD** THE COMPLETE MANUAL

- Thank you very much for reading the preview of the manual.
- You can download the complete manual from: www.heydownloads.com by clicking the link below



- Please note: If there is no response to CLICKING the link, please download this PDF first and then click on it.

CLICK HERE TO **DOWNLOAD** THE COMPLETE MANUAL

Section: ENGINE
COVER PLATE

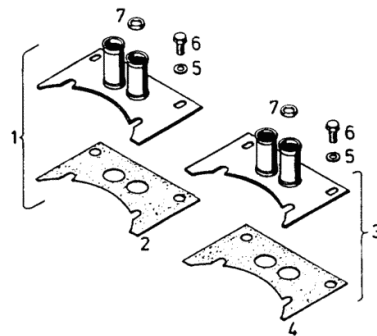
Fig.	Code	QTY	Name
1	04157574	2	lamination CONTAINS ASBESTOS ASBESTOS-FREE, SEE ITEM 950 ZYL.1 U.2.
2	02232816	2	gasket CONTAINS ASBESTOS ASBESTOS-FREE, SEE ITEM 952
3	02232811	1	lamination CONTAINS ASBESTOS ASBESTOS-FREE, SEE ITEM 951
4	02232816	1	gasket
5	01215850	6	washer
6	01112240	6	screw m 6 x 12 ISO 004017-M 6 X 12 - 8.8-A4C
7	01171586	6	'o' ring H 002927- 18 X 2,5 -FPM-1-70
950	04157574	2	lamination ASBESTOS-FREE CONTAINS ASBESTOS SEE ITEM 001 ZYL.1 U. 2.
951	04157575	1	lamination ASBESTOS-FREE CONTAINS ASBESTOS SEE ITEM 003
952	04157252	2	gasket ASBESTOS-FREE CONTAINS ASBESTOS SEE ITEM 002



Abdeckblech
Cover plate
Toile de recouvrement
Chapa de recubrimiento



0150-40-503 4315



Section: ENGINE
ELECTRICAL LEADS 55A

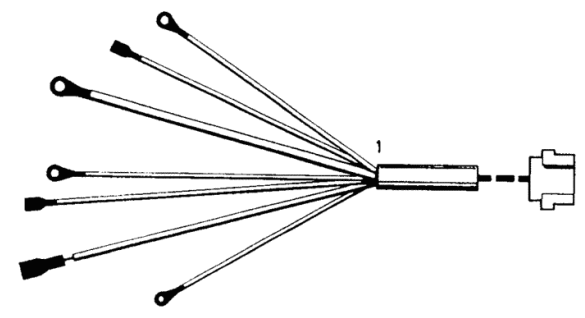
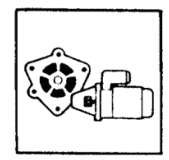
Fig.	Code	QTY	Name
1	02248045	1	tube



Elektrische Leitungen
Wiring
Cables
Cables

55 A

0150-48-504 2734



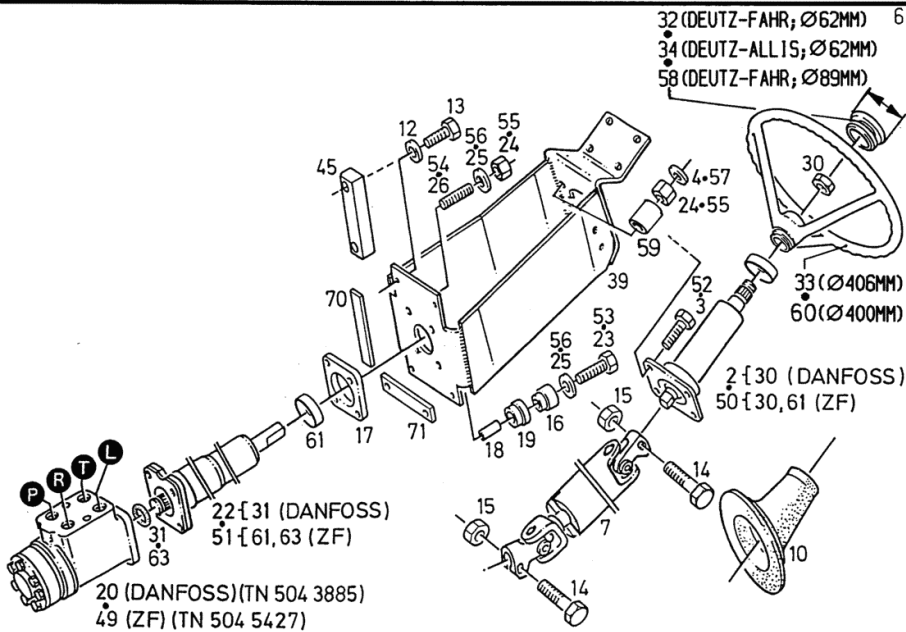
Section: FRONT AXLE, STEERING ASSEMBLY
HYDRAULIC STEERING GEAR

Fig.	Code	QTY	Name
2	04362204	1	steering column
3	01112408	4	screw DIN 000933-M10 X 20 SK- 10.9-A4C
4	01107105	4	washer 10.5 DIN 000125-A10,5-140HV-A4C
7	04355545	1	joint
10	04359116	1	sleeve
12	01107101	4	washer 8.4 DIN 000125-A 8,4-140HV-A4C
13	01129112	4	screw DIN 000933-M 8 X 25 SB- 8.8-A4C
14	01100233	4	screw ISO 004017-M 8 X 35 - 10.9-A4C
15	01139776	4	nut DIN 000980-VM 8 -10-A4C GEWAC HST
16	04355682	4	spacer
17	04355546	1	plate
18	04355547	4	bushing
19	04355695	4	spacer
20	05043885	0	pump 15.89.4
22	04379657	1	steering column
23	01112447	2	screw m 10 x 40 DIN 000933-M10 X 40 - 8.8-A4C
24	01102659	6	nut m 10, d934 DIN 000934-M10 - 8-A4C
25	01127538	4	washer 10.5 DIN 007349-10,5-ST-A4C
26	01103255	2	screw DIN 000939-M10 X 40 -10.9-A4C
30	01131116	1	nut m 18 x 1.5 ISO 008675- M18X1,5 -05-A4C
31	01173118	1	'o' ring H 002927- 13,2 X 2,5 -NBR-1-70
32	04395210	1	plug DEUTZ-FAHR
33	04347321	1	steering wheel
34	04395210	1	plug DEUTZ-FAHR
39	04359919	1	console
45	04359915	2	latch



HYDROLENKUNG
 POWER STEERING
 DIRECT HYDRO-ASSIS
 DIRECCION HIDRAUL.

1805-89 0504 5426



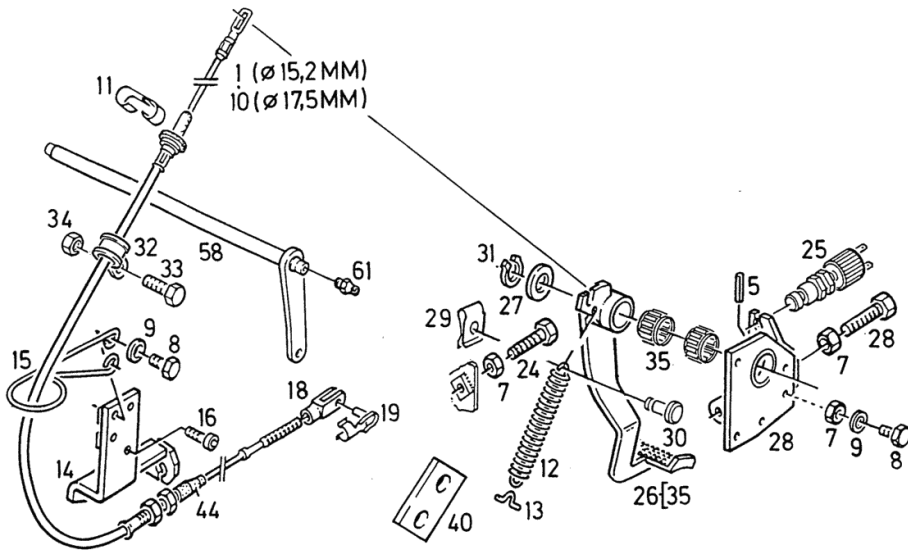
Section: GEARBOX, CLUTCH
OPERATION - DRIVING CLUTCH

Fig.	Code	QTY	Name
5	01115446	1	pin 5 x 50 ISO 008752- 5 X 50
7	01112824	4	nut m 8, d934 ISO 004032-M 8 - 8-A4C
8	01112333	4	screw m 8 x 25, d933 ISO 004017-M 8 X 25 - 8.8-A4C
9	01107101	4	washer 8.4 DIN 000125-A 8,4-140HV-A4C
10	04396476	1	crate
11	04354883	1	bracket
12	04402076	1	spring ON FIRST REPLACEMENT SUPPLY WITH ITEM.... 40
13	04321200	1	bracket
14	04379585	1	support
15	04354866	1	bracket
16	01110764	2	screw m 12 x 40 DIN 000912- M12 X 40 -10.9-A4 C
18	01100355	1	fork DIN 071752- G 8X32 -A4C
19	01173332	1	pin 8x32 H 002711- 8X32-A4C
23	01112350	1	screw m 8 x 35 ISO 004017-M 8 X 35 - 8.8-A4C
24	01112356	1	screw m 8 x 40 ISO 004017-M 8 X 40 - 8.8-A4C
25	01175754	1	switch
26	04367286	1	pedal
27	01173784	1	washer H 002308-26 X39X1,5 -A4C
28	04367059	1	saddle
29	01176134	1	key-pin H 002205-L10 -FE/ZN12CC
30	04367742	1	pin
31	01107737	1	ring 25 x 1,2 d471 DIN 000471- 25X1,2
32	01173065	1	hose clip H 003223-B18X15-W1/CR70-10
33	01103316	1	screw m 6 p.1.0 x 16 ISO 004017-M 6 X 16 - 8.8-A4C
34	01112813	1	nut m 6 DIN 000934-M 6 - 8-A4C



BETÄTIGUNG FAHRKUPPLUNG
 CONTROL ASSEMBLY TRAVEL CLUTCH
 CDE D' ACTIONNEM EMBRAYAGE MARCHE
 ACCIONAMIENTO EMBRAGUE

1065 - 03 504 5317



Section: GEARBOX, CLUTCH
GEAR CHANGE BOX

**DEUTZ
FAHR**
 WECHSELGETRIEBE
 TRANSMISSION
 BOITE DE VITESSES
 CAJA CAMBIO

1420-11 504 6167

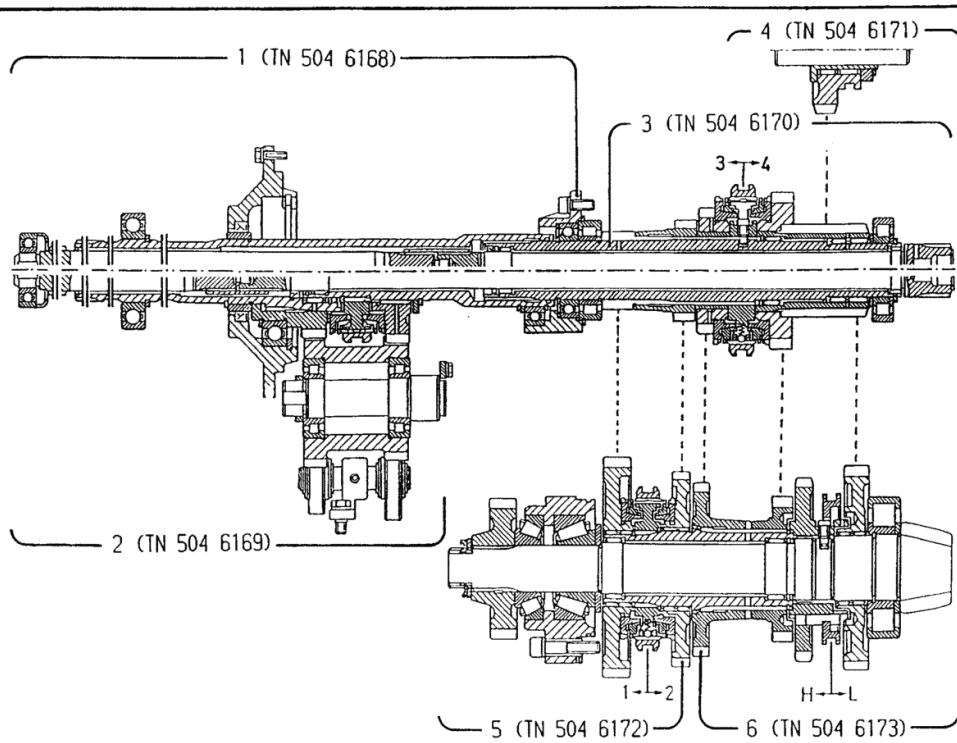
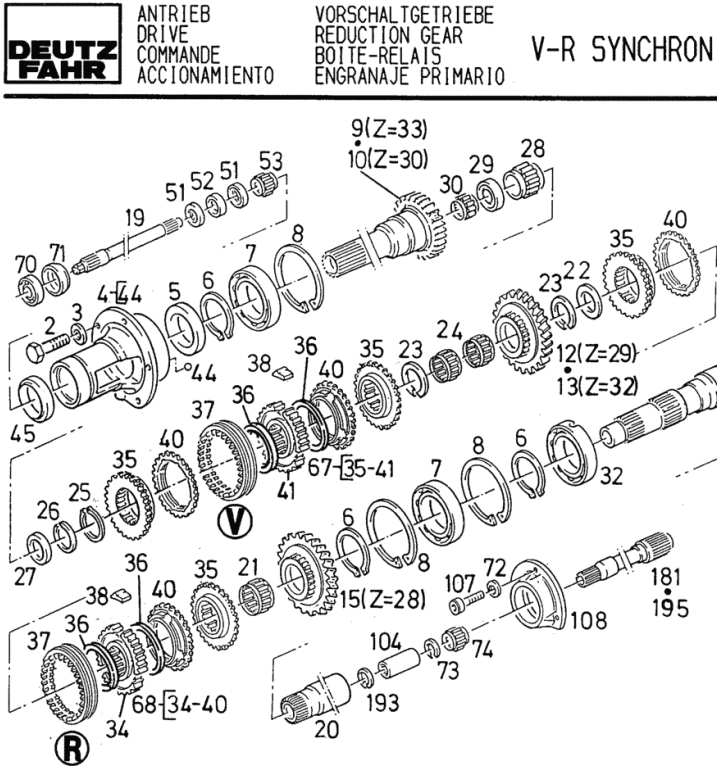


Fig.	Code	QTY	Name
1	05046168	0	transmission ☞ 12.11.4
2	05046169	0	transmission ☞ 12.11.5
3	05046170	0	main shaft ☞ 12.11.10
4	05046170	0	main shaft ☞ 12.11.10
5	05046172	0	countershaft ☞ 12.11.13
6	05046173	0	countershaft ☞ 12.11.14

Section: GEARBOX, CLUTCH

DRIVE - INTERMEDIATE GEARS - V-R SYNCHRON



1420-11 0504 6888

3.10VC	7722/3934 7726/3830
3.105C	— / — — / —
3.30VC	7730/3523 7734/3373
3.305C	7732/6018 7736/6015
3.50VC	7738/3451 7742/3409
3.505C	7740/6020 7744/6040
3.60VC	7764/3511 7766/3878
3.605C	7765/6057 7763/6248
3.65VC	7769/0459 7767/0773
3.655C	7796/— 7768/6194
3.75VC	7610/0080
3.57	7609/6101
4.07	7628/6424
4.17	7639/6704
4.17H	— / —

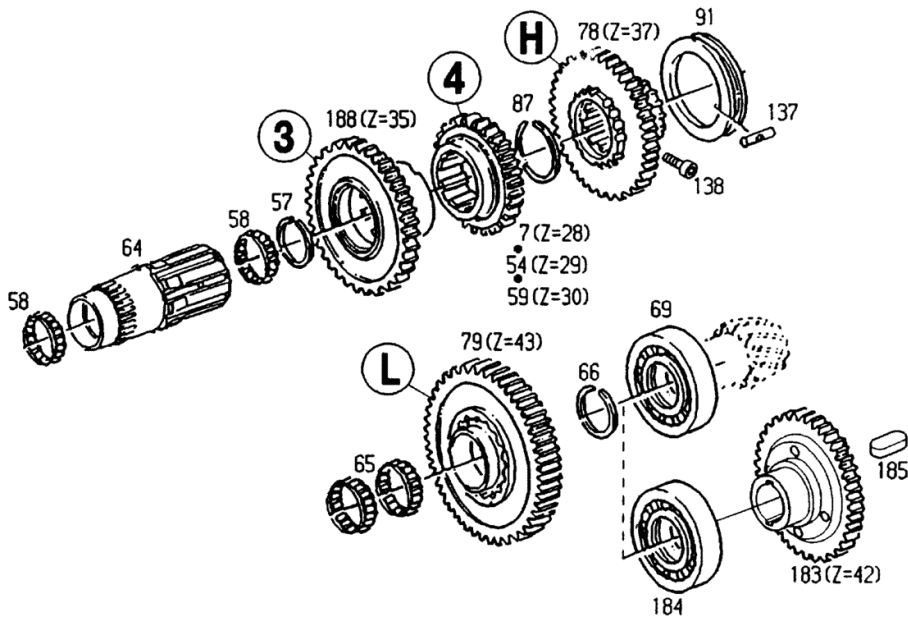
Fig.	Code	QTY	Name
2	01112326	5	screw m 8 x 22 ISO 004017-M 8 X 22 - 8.8-A4C
3	01107283	11	washer 8.2 DIN 000137-B 8-FST-A4C
4	04393038	1	bushing
5	01179309	1	oil seal H 002940-ZS -R- 50X 80X10 -AC M-5-75
6	01104204	3	stop DIN 000471- 60X3
7	01109078	2	ball bearing DIN 000625- 6212
8	01107863	3	circlip DIN 000472-110X4
9	04400446	1	shaft
10	04400447	1	shaft
12	04376270	1	gear
13	04377454	1	gear
15	04376272	1	gear
16	04400448	1	shaft
19	04377460	1	transmission shaft
20	04400449	1	shaft
21	01179336	1	workshop tool H 004455-NK2 40 X 45X27 -TN/P A66-GF-DS-W
22	04391131	1	circlip
23	04376289	2	shim
24	01179335	2	workshop tool H 004455-NK 40 X 47X18-JW
25	01107749	1	circlip DIN 000471- 35X2,5
26	01163638	1	circlip H 002259- 42X1,5
27	04349164	1	washer
28	01177123	1	workshop tool H 004455-NK 35 X 42X18 -TN/PA 66-GF-W
29	01179308	1	oil seal H 002940-WS -W- 25X 35X 7 -AC M-5-75
30	01176436	1	pin H 004455-NH 25 X 32X20 -2RS
32	04400450	1	ring
34	04400698	1	support

Section: GEARBOX, CLUTCH
LAYSHAFT 3+4 SPEED

DEUTZ FAHR
 VORGELEGEWELLE 3.+4. GANG
 LAYSHAFT 3.+4. GEAR
 ARBRE DE RENVOI 3.+4. MARCHE
 EJE DE TRANSMISION 3.+4. MARCHA

1420-11 0504 6173

Fig.	Code	QTY	Name
7	02301172	1	gear
54	04344622	1	gear
57	01160345	2	circlip
58	01177124	3	workshop tool H 002259- 45X1,5 H 004455-NK 40 X 45X17 -TN/PA 66-GF-W
59	04356115	1	gear
64	02307777	1	shaft
65	02335932	2	workshop tool
66	01161117	1	circlip
69	04303672	1	roller bearing
78	04371990	1	gear
79	04371991	1	gear
87	01160083	1	circlip
91	02301891	1	ring
137	04359415	14	pin
138	04354467	2	screw
183	04382174	1	gear
184	04375733	1	roller bearing
185	04382173	1	spring washer
188	04388353	1	gear



Section: GEARBOX, CLUTCH
GEAR SHIFT - V-R SYNCHRON



GETRIEBESCHALTUNG
 GEARSHIFT ASSY.
 CHANGEM BOITE VIT
 MANDO TRANSMISION

V-R SYNCHRON

1420-12 504 6331

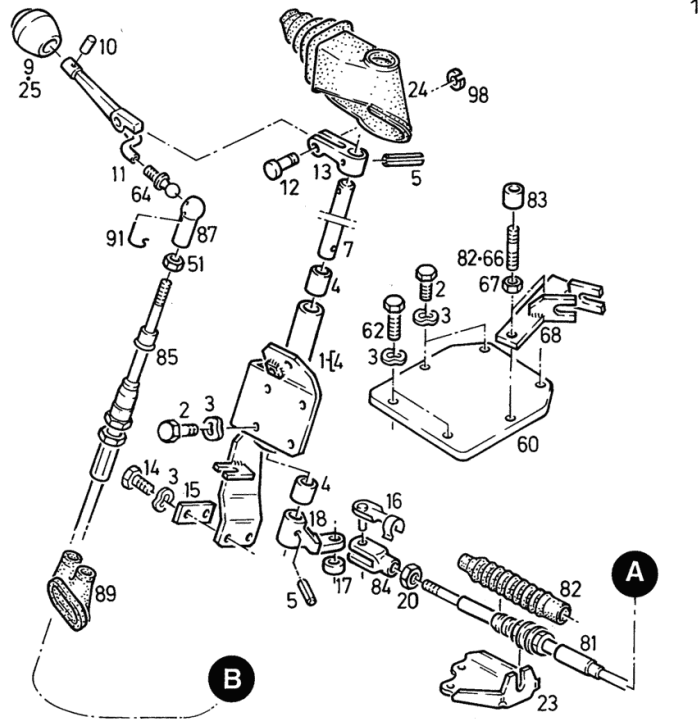


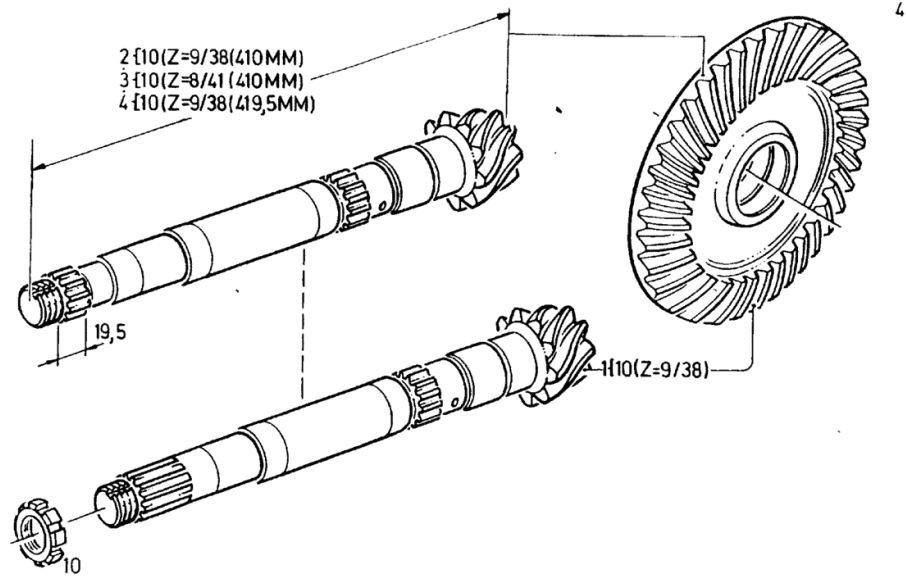
Fig.	Code	QTY	Name
1	04390314	1	bearing
2	01112307	6	screw m 8 p.1.25 x 15, d933 ISO 004017-M 8 X 16 - 8.8-A4C
3	01107283	14	washer 8.2 DIN 000137-B 8-FST-A4C
4	01139465	2	bushing DIN 001494- 14B 16X 20-P1-C
5	01144109	2	pin ISO 008748- 6 X 24-ST
7	04396185	1	shaft ON FIRST REPLACEMENT SUPPLY WITH ITEM.... 5, 13, 18
9	04393022	1	knob 30 KM/H
10	01123854	1	pin ISO 008742- 5 X 20-ST
11	04391086	1	gear lever
12	01180381	1	pin H 002707-A 8X28-ST-A4C ON FIRST REPLACEMENT SUPPLY WITH ITEM.... 98
13	04396184	1	lever ON FIRST REPLACEMENT SUPPLY WITH ITEM.... 5, 7, 18
14	01112322	6	screw m 8 p.1.25 x 20 ISO 004017-M 8 X 20 - 8.8-A4C
15	04355899	1	plate
16	01172800	1	pin 6x12 H 002711- 6X12-A4C
17	04355790	1	bushing
18	04396186	1	gear lever ON FIRST REPLACEMENT SUPPLY WITH ITEM.... 5, 7, 13
20	01133500	2	nut vm 6 d980 DIN 000980-VM 6 - 8-A4C GEWAC HST
23	04354657	1	rotor blade
24	04391090	1	bellows
25	04393024	1	knob - 40 Km/h

Section: GEARBOX, CLUTCH
BEVEL WHEEL GEAR

Fig.	Code	QTY	Name
1	04348747	1	planet gear
2	04369631	1	bevel gear
3	04369632	1	bevel gear
4	04388842	1	planet gear
10	01216033	1	- FOR ROAD PTO SHAFT nut

**DEUTZ
FAHR**
 KEGELTRIEB
 BEVEL DRIVE
 COUPLE CONIQUE
 GRUPO CONICO

1420-23504 3647



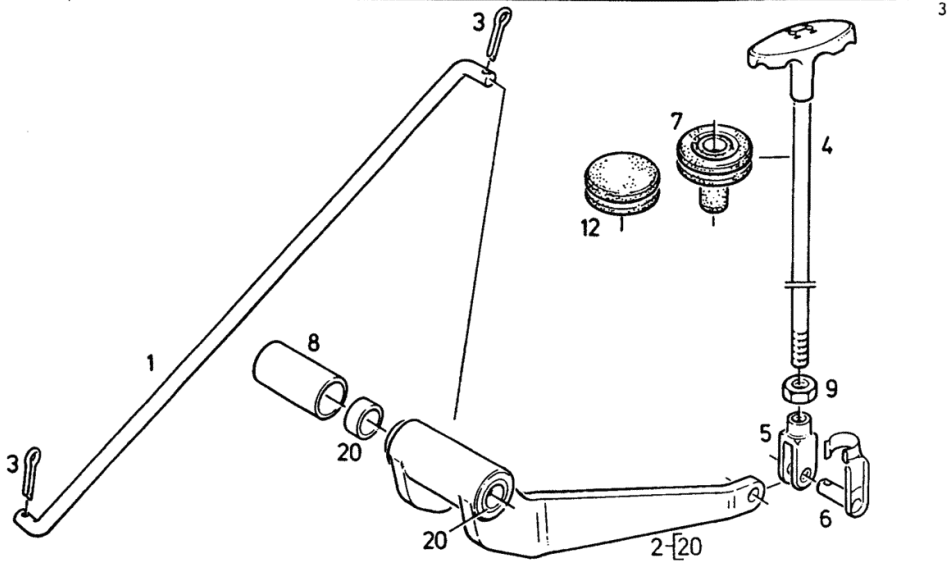
Section: GEARBOX, CLUTCH
OPERATION - FRONT WHEEL DRIVE

Fig.	Code	QTY	Name
1	04354889	1	rod
2	04377818	1	lever
3	01175723	2	split pin H 002470-A12X4 -FE/ZN12CC
4	04339092	1	lever
5	01120919	1	fork head DIN 071752- G12X24 -A4C
6	01164624	1	smau pin 12 x 24 H 002711-12X24-A4C
7	04354890	1	sleeve
8	04355985	1	ring
9	01112858	1	nut m 12, d934 DIN 000934-M12 - 8-A4C
12	04356350	1	plug
20	04310589	2	bearing



BETÄTIGUNG VORDERRADANTRIEB
 CONTROL ASSEMBLY FRONT WHEEL DRIVE
 CDE D' ACTIONNEM. CDE ROUES AV
 ACCIONAMIENTO ACCIONAM. RUED. DEL.

1065-27504 3692



AIR DISTRIBUTOR - OUTGOING AIR AND ADDITIONAL HEATING

Fig.	Code	QTY	Name
1	04351721	1	air duct hood
4	04353132	1	none
14	01112264	4	screw m 6 x 20, d933 ISO 004017-M 6 X 20 - 8.8-A4C
17	01112813	4	nut m 6 DIN 000934-M 6 - 8-A4C
18	01107095	8	washer 6.4 DIN 000125-A 6,4-140HV-A4C
24	04354586	2	blower
39	01395062	0	gasket H 842081-A 5X 10 -PUR-1-GR-GI T 474 MM

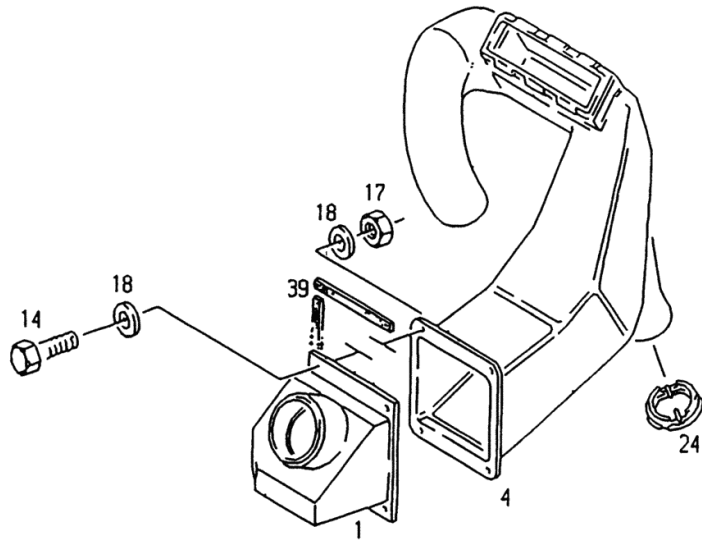


LUFTVERTEILER
AIR DISTRIBUTOR
DISTRIBUTEUR D'AIR
DISTRIBUIDOR AIRE

ABLUF-UND ZUSATZHEIZUNG
HOT AIR AND SUPPLEMENT HEATING
CHAUF. AIR CHAUD ET SUPPL.
CALEFAC. AIRE CLNTE ET ADICIONAL

1065-85 0504 4013

4



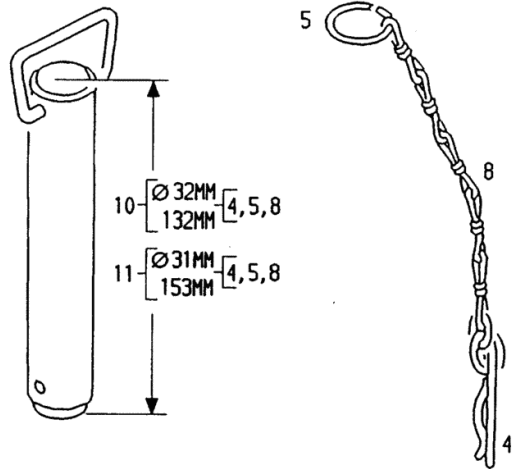
Section: HITCH
COTTER PIN

Fig.	Code	QTY	Name
4	01102874	1	roll pin DIN 011024- 6,3 -FE/ZN12CC
5	04305741	2	ring
8	01401340	0	chain DIN 005686-2,5X 245-FE/ZN12CC
10	04344506	1	pin
11	04338834	1	pin

DEUTZ FAHR
 VORSTECKBOLZEN
 HITCH PIN
 BROCHE
 PERNO ENGANCHE

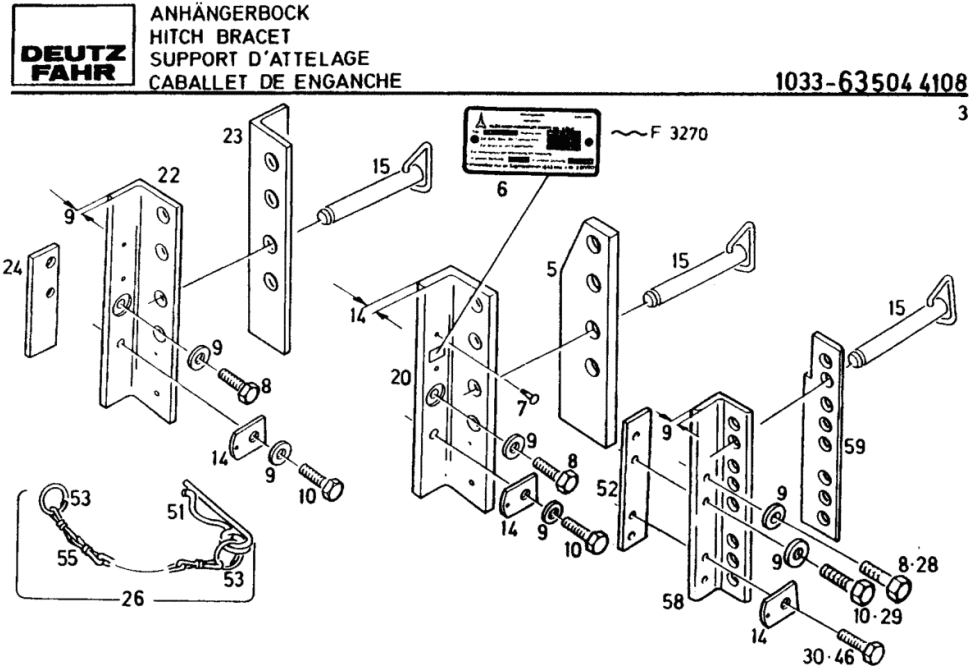
1905-11 0504 1519

7



Section: HITCH
TRAILER STAND

Fig.	Code	QTY	Name
5	04317339	1	guide RIGHTS 14,0 MM
6	04311405	1	plate TO ITEM... 20
7	01115308	2	rivet ISO 008746- 3 X 6-ST -A4C
8	01137257	2	screw ISO 004017-M18 X 45 - 10.9-GE BLACK
9	01167053	2	washer H 000995-18,5X36X 5- 8.8
10	01137258	2	screw ISO 004017-M18 X 35 - 10.9-GE BLACK
14	04318852	1	support
15	04307332	2	pin
20	04333650	1	guide LEFT 14.0 MM
22	04333651	1	guide LEFT 9.0 MM
23	04333652	1	guide RIGHTS 9.0 MM
24	04333244	2	support
26	04333760	2	key-pin
28	01111988	2	screw ISO 004017-M18 X 50 - 10.9-GE BLACK
29	01136944	2	screw m 18x40 ISO 004017-M18 X 40 - 10.9-GE BLACK
30	01112687	2	screw m 16 x 40 ISO 004017-M16 X 40 - 8.8-A4C
46	01112679	2	screw m 16 x 35 ISO 004017-M16 X 35 - 8.8-A4C
51	01100906	1	roll pin DIN 011024- 5 -FE/ZN12CC
52	04370173	2	support
53	04305741	2	ring
55	01401523	0	chain



Section: HYDRAULIC SYSTEM
OIL SUPPLY 14/11 CCM/H

Fig.	Code	QTY	Name
1	01177917	1	pump
2	01179540	2	nut cl 15 h3105 H 003105- CL15 -STF55 -A3C GE WAXED
3	01116626	2	ring H 003107-F L15-ST
4	01262635	1	nut
5	01139832	2	screw DIN 000912- M10 X 95 -10.9-A4 C
6	02239230	1	gasket
7	02235058	1	gear
8	04355526	2	'o' ring Ø 24 x 2,5
10	01119609	12	spring washer DIN 007980- 6-FST-A4C
12	01119252	3	screw H 003102-D15 M-ST-A4C
13	01171518	10	'o' ring H 002905-U 18,7X26 X1,5 -W1
18	04355525	2	'o' ring
22	04337377	1	tongue
24	01179863	1	rubber tube H 000651- 28X 38X 100
25	01173969	2	clamp 32-50 H 003461-B13 C 32- 50-W1
34	01162327	1	ring H 002927- 13 X 2 -FPM-1-70
36	04354833	1	tube
40	01112824	6	nut m 8, d934 ISO 004032-M 8 - 8-A4C
42	01124457	1	screw m 8 x 45 ISO 004017-M 8 X 45 - 8.8-A4C
44	01107101	3	washer 8.4 DIN 000125-A 8,4-140HV-A4C
66	05043758	0	oil cooler 14.18.1
67	04355527	1	valve
71	01112813	2	nut m 6 DIN 000934-M 6 - 8-A4C
72	01211882	2	collar H 003223-B15X15-W1/CR70-10
78	01213283	1	clamp Ø 20/28 H 003223-B28X20-W1/CR70-10
81	01173073	1	pipe union

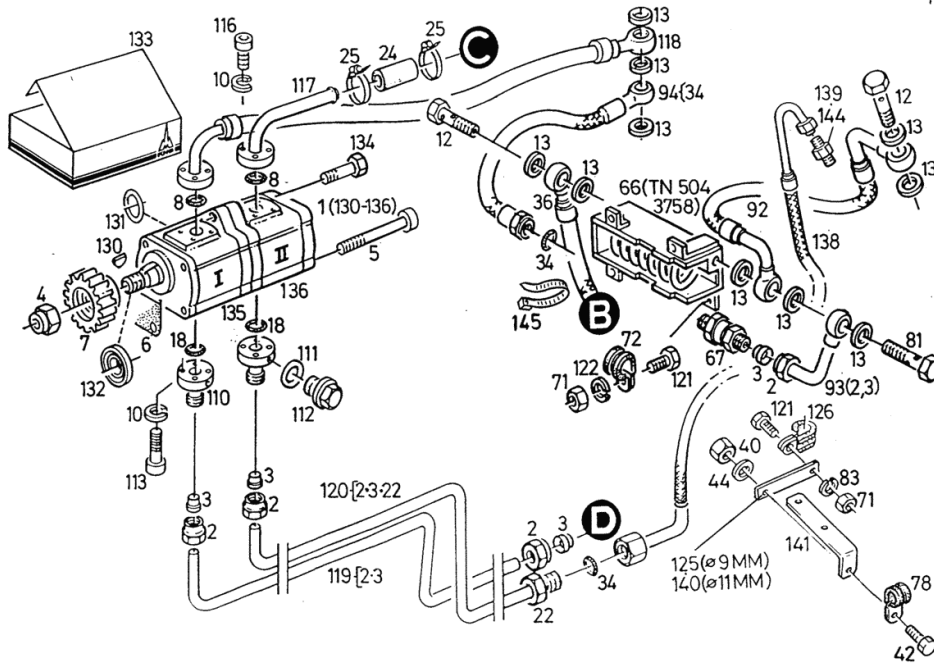


ÖLVERSORGUNG
OIL SUPPLY
ALIMENTATION HUILE
ALIMENTAC. ACEITE

14/11 CCM/U

1965-01 0504 6304

4



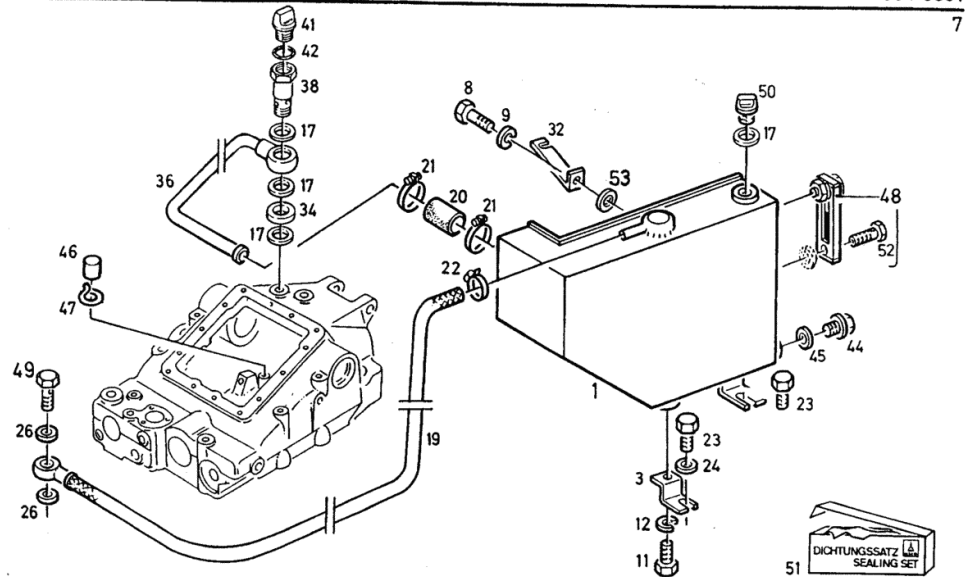
Section: HYDRAULIC SYSTEM
ADDITIONAL OIL TANK

Fig.	Code	QTY	Name
51	01309866	0	gasket set TO ITEM... 48
52	01309867	2	screw
53	01136363	1	washer 8.4 DIN 009021- 8,4-140HV-A4C



ZUSATZ - ÖLBEHÄLTER
 ADDITIONAL - OIL TANK
 CAISSON A FLUIDE HYDRAULIQUE - SUPPLEMENTAIRE
 TANQUE DE ACEITE - ADICION

1926-05 504 3801

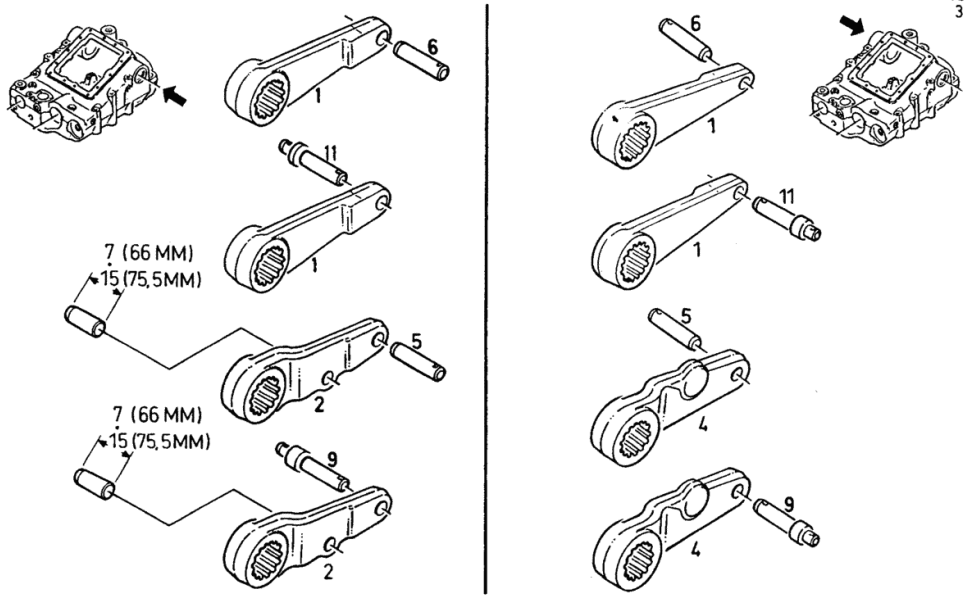


POWER LIFT

Fig.	Code	QTY	Name
1	04354806	1	arm
2	04354805	1	arm
4	04354804	1	arm
5	04310495	1	pin
6	03471289	1	pin
7	04314206	1	pin
9	04354895	1	pin
11	04348322	1	pin
15	04377747	1	pin

DEUTZ FAHR
 KRAFTHEBER
 HYDRAULIC LIFT
 VERIN HYDRAULIQUE
 ELEVADOR HIDRAUL.

1952-08 504 4957



Section: HYDRAULIC SYSTEM
FRONT HYDRAULIC POWER-LIFT

Fig.	Code	QTY	Name
1	00000000	0	not serviceable

**DEUTZ
FAHR** FRONTKRAFTHEBER
 FRONT LIFT
 RELEVAGE FRONTAL
 ELEVADOR DELANTERO

6/92 SAUTER
 1965-09 0504 6348

3



FIRMA HANS SAUTER GMBH
 LANDTECHNIK-STAHLBAU
 AUERBACHWEG 13
 D 87778 STETTEN
 TEL: 08261/8058
 FAX: 08261/8050

Section: HYDRAULIC SYSTEM
CONNECTING ROD



VERBINDUNGSSTANGE
 CONNECTING ROD
 TRINGLE - RACCORD
 BARRA UNION

1907-11 504 3713

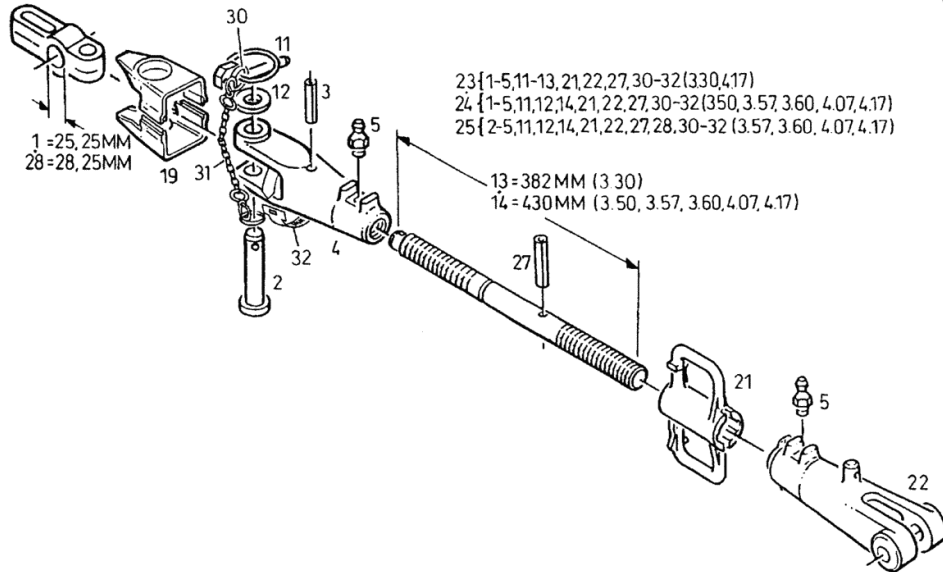


Fig.	Code	QTY	Name
1	04314509	1	ball joint
2	04314236	1	pin
3	01100334	1	pin 6 x 30 ISO 008752- 6 X 30
4	04318281	1	ball joint
5	01168224	2	lubricator m 6 H 003360-SA 6
11	04315866	1	pin
12	01107124	1	washer 21x37x3 d125 DIN 000125-A21 -140HV-A4C
13	04365823	1	rod
14	04365824	1	rod
19	04353305	2	guard
21	04375830	1	crank
22	04365591	1	ball joint
23	04399861	1	rod
24	04399862	1	rod
25	04399863	1	retrofit kit
27	01157441	1	pin ISO 008748- 6 X 36-ST
28	04315850	1	ball joint
30	04322508	2	ring
31	01404861	2	chain DIN 005686-2,5X 350-FE/ZN12CC
32	01173143	2	clamp 4,6x280 H 007672-G 280X 4,6

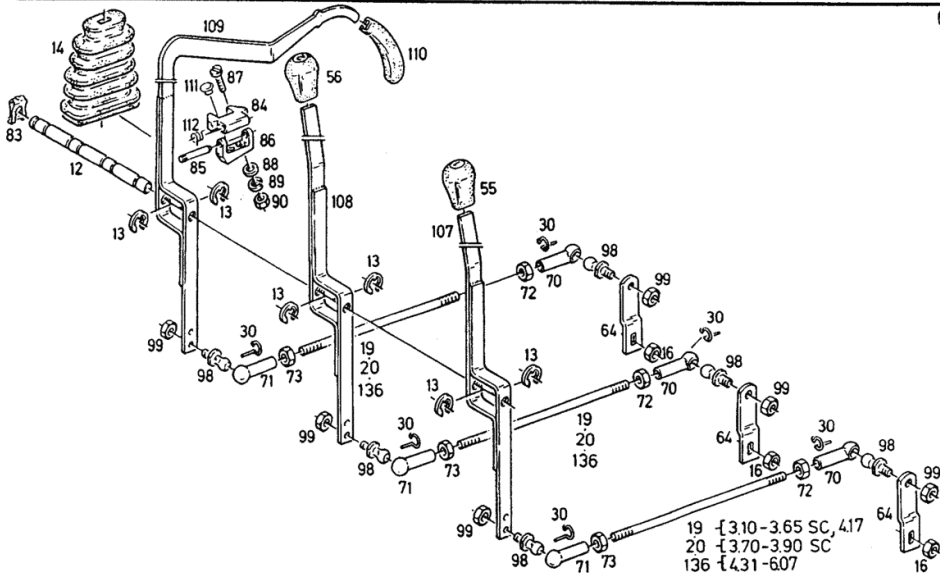
Section: HYDRAULIC SYSTEM
HYDR. CONTROL - OPERATION

Fig.	Code	QTY	Name
12	04338735	1	shaft
13	01174098	2	washer H 002217-A12-A4C
14	04338349	1	bellows
16	04324181	1	nut
19	04338738	1	rod
20	04338739	1	rod
30	01120997	2	pin DIN 071805-S10 -A4C
55	04341579	1	knob
56	04341580	1	knob
64	04345375	1	gear lever
70	01173814	1	fixing locator H 003604-B 10/1
71	04310279	1	fixing locator LEFT-HAND THREAD
72	01112813	1	nut m 6 DIN 000934-M 6 - 8-A4C
73	01112819	1	nut m 6 ISO 004032-M 6 LH - 8-A4C LEFT-HAND THREAD
83	01175724	1	key-pin H 002205-L12 -FE/ZN12CC
84	04346523	1	latch
85	04346524	1	pin
86	04346522	1	bearing block
87	01105571	2	screw ISO 001207- M 4 X 20- 4.8- A4 C
88	01122121	2	washer 4,3x9x0,8 DIN 000125-A 4,3-140HV-A4C
89	01126724	2	spring disc DIN 000137-B 4-FST-A4C
90	01112796	2	stop m4 d934 ISO 004032-M 4 - 8-A4C
98	01175513	2	cap H 003605-C 10-SW 10 -FE/ZN 8C C
99	01133500	2	nut vm 6 d980 DIN 000980-VM 6 - 8-A4C GEWAC HST
107	04354298	1	gear lever
108	04354297	1	gear lever
109	04360079	1	gear lever

DEUTZ FAHR
 HYDR. STEUERUNG
 HYDRAULIC CONTROL
 CONTROLE HYDRAUL.
 MANDO HIDRAUL.
 BETÄTIGUNG
 CONTROL ASSEMBLY
 CDE D'ACTIONNEM
 ACCIONAMIENTO

1805 - 88 504 3920

6



Section: MOTOR SUPPLY
DRY AIR FILTER

DEUTZ FAHR TROCKENLUFTFILTER
 FILTER
 FILTRE SEC
 FILTRO D' AIRE SECO

1065-43 0504 6201

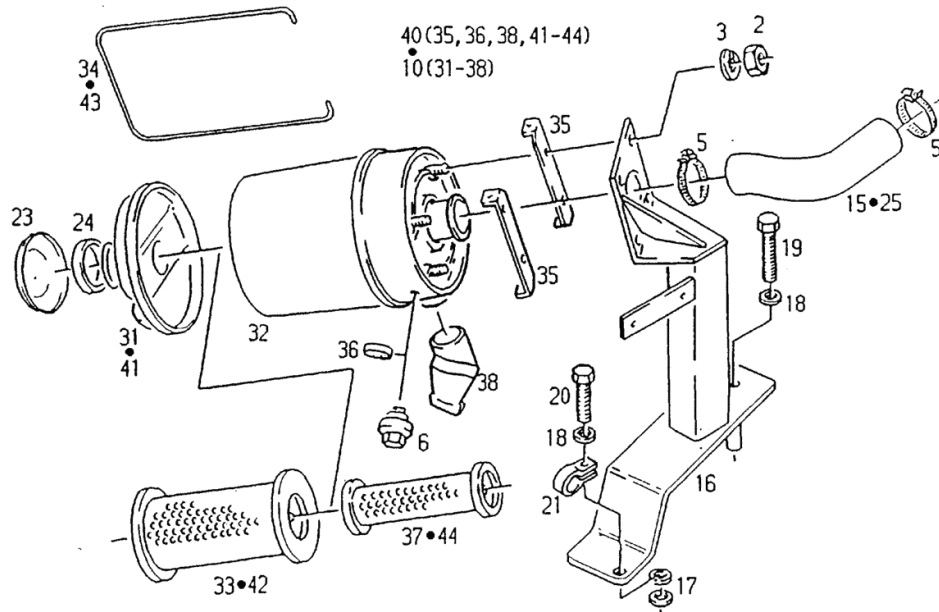


Fig.	Code	QTY	Name
2	01112824	4	nut m 8, d934 ISO 004032-M 8 - 8-A4C
3	01102799	4	washer 8, d128 DIN 000128-A 8 -FST -A4C
5	01173940	2	clamp Ø 70/90 H 003461-B13 C 70- 90-W1
6	02427063	1	switch
10	02243686	1	filter
15	04389180	1	manifold
16	04393232	1	console
17	01174737	2	washer
18	01127538	2	H 000995-10,5X24X 6- 8.8 -A4C washer 10.5 DIN 007349-10,5-ST-A4C
19	01122402	1	screw DIN 000931- M10 X110 - 8.8-A- A4C
20	01144593	1	screw DIN 000933-M10 X 60 - 8.8
21	04313065	1	hose clip
23	02100263	1	cap
24	04395214	1	ring
25	04398787	1	manifold WITH AIR CONDITIONING SYSTEM
31	02240280	1	boot
32	02240282	1	lining
33	04384103	1	filter
34	02240284	2	bracket
35	02240285	2	square
36	03363577	2	ring
37	02243522	1	air filter element
38	02165357	1	valve
40	02243684	1	filter WITH AIR CONDITIONING SYSTEM
41	02240281	1	cap WITH AIR CONDITIONING SYSTEM
42	04384102	1	filter WITH AIR CONDITIONING SYSTEM
43	02240283	2	bracket WITH AIR CONDITIONING SYSTEM
44	02243521	1	air filter element WITH AIR CONDITIONING SYSTEM

CLICK HERE TO **DOWNLOAD** THE COMPLETE MANUAL

- Thank you very much for reading the preview of the manual.
- You can download the complete manual from: www.heydownloads.com by clicking the link below



- Please note: If there is no response to CLICKING the link, please download this PDF first and then click on it.

CLICK HERE TO **DOWNLOAD** THE COMPLETE MANUAL