

Agrovitis 175

ADDRESS

GENERAL

STEERING.....	7G.00.1030
STEERING.....	7G.00.1031
STEERING.....	7G.00.1032
BOX (WITH DESTEMMER).....	7G.00.1033

CLICK HERE TO **DOWNLOAD** THE COMPLETE MANUAL

- Thank you very much for reading the preview of the manual.
- You can download the complete manual from: www.heydownloads.com by clicking the link below



- Please note: If there is no response to CLICKING the link, please download this PDF first and then click on it.

CLICK HERE TO **DOWNLOAD** THE COMPLETE MANUAL

Section: ASPIRATORS
OPERATION

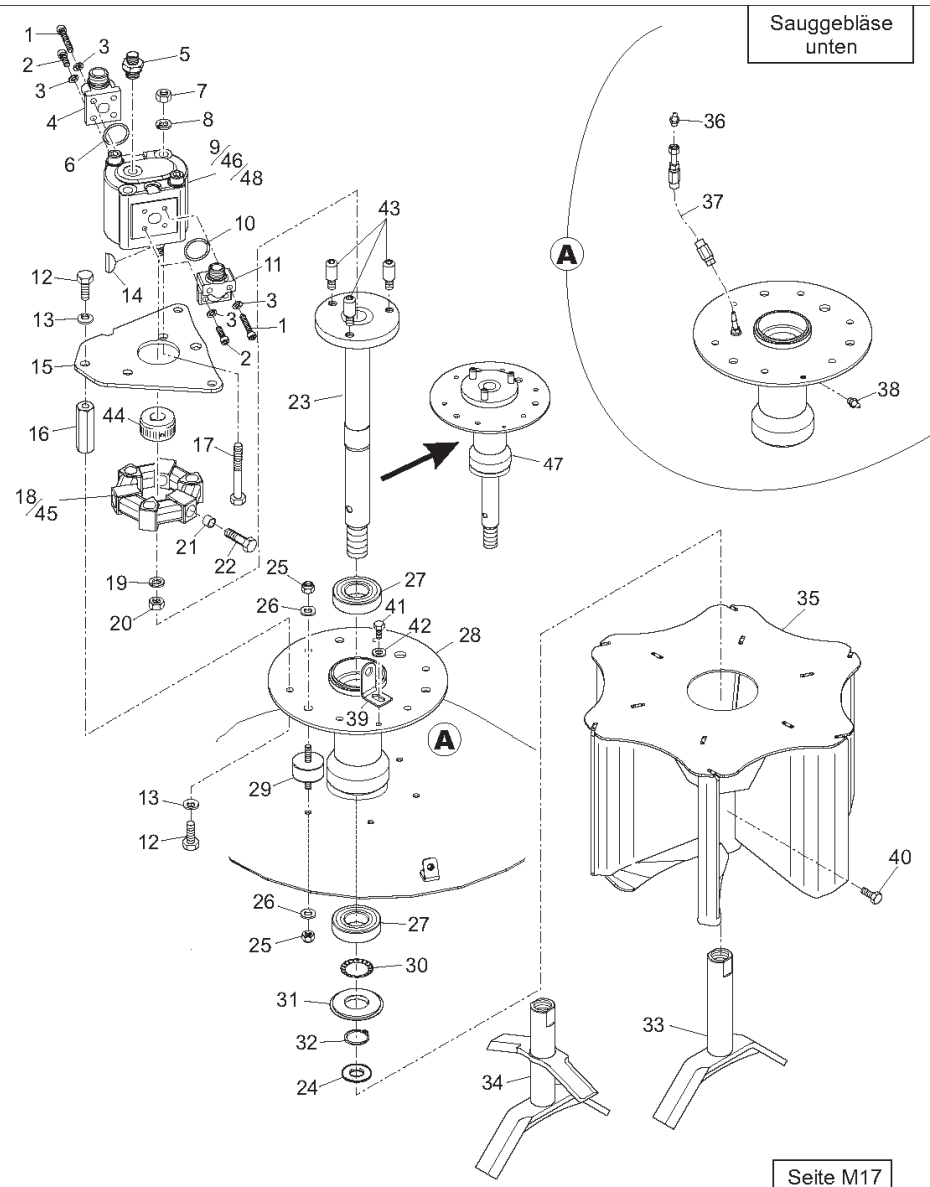
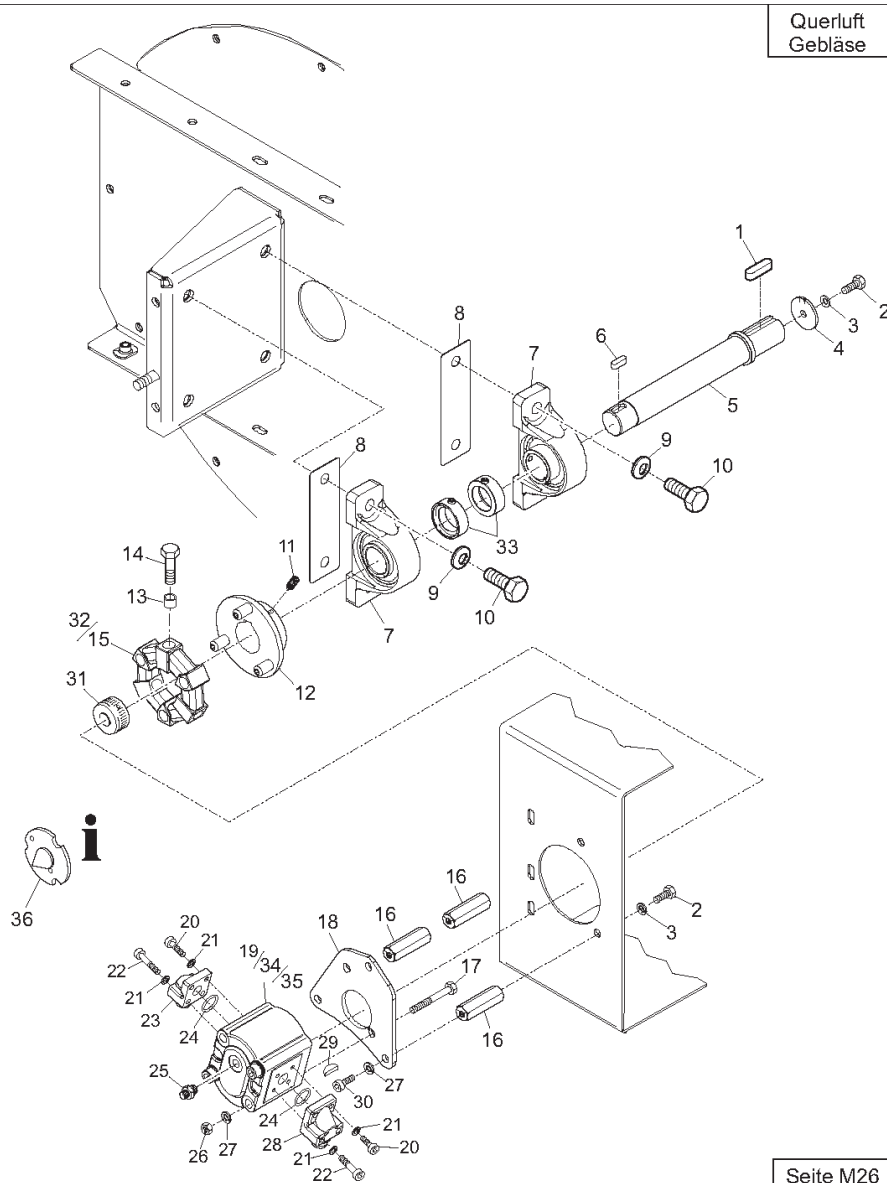


Fig.	Code	QTY	Name
1	0.902.0053.2	4	screw m 6 x 35
2	0.902.0053.3	4	screw m 6 x 22
3	0.902.0186.1	8	washer Ø 6
4	0.902.0096.5	1	flange 15L-40
5	0.902.0191.1	1	shaped part m 12 x 1,5
6	0.902.0018.5	1	ring 26 x 2,5
7	0.902.0110.4	2	nut m 10
8	0.902.0186.4	2	washer Ø 10
9	0.902.0024.7	1	hydraulic motor
10	0.902.0018.0	1	ring 20 x 2,5
11	0.902.0096.4	1	flange 12L-35
12	0.902.0051.0	6	screw m 10 x 25
13	0.902.0001.0	6	disc 10 x 23
14	0.902.0092.7	1	dowel 3 x 5
15	0.902.0211.1	1	brace
16	0.902.0017.3	3	pin mm 62
17	0.902.0057.6	2	screw m 10 x 100
18	0.902.0129.1	1	joint
19	0.902.0187.6	1	washer m 10
20	0.902.0110.6	1	nut m 14 x 1,5
21	0.902.0085.6	1	sleeve
22	0.902.0048.1	1	screw m 8 x 35
23	0.902.0005.6	1	shaft
24	0.902.0184.5	1	washer
25	0.902.0001.4	12	nut m 8
26	0.902.0001.5	12	washer m 8
27	0.902.0107.2	2	bearing
28	0.902.0011.3	1	fixing locator
29	0.902.0173.3	6	stopper
30	0.902.0021.2	1	spring
31	0.902.0118.2	1	disc
32	0.902.0009.4	1	ring Ø 28
33	0.902.0220.1	1	straw cutter
34	0.902.0220.2	1	straw cutter
35	0.902.0208.2	1	wheel
36	0.902.0136.0	1	lubricator
37	0.902.0125.6	1	flexible hose
38	0.902.0001.2	1	lubricator m 6 x 1
39	0.902.0163.9	1	support
40	0.902.0047.8	1	screw m 8 x 16
41	0.902.0047.8	1	screw m 8 x 16
42	0.902.0001.5	1	washer m 8
43	0.902.0015.4	3	pin
44	0.902.0154.8	1	hub

Section: ASPIRATORS
TRANSVERSE SUCTION HEADER



Seite M26

Fig.	Code	QTY	Name
1	0.902.0093.1	1	dowel 10 x 8 x 50
2	0.902.0051.0	3	screw m 10 x 25
3	0.902.0001.0	3	disc 10 x 23
4	0.902.0189.4	1	washer
5	0.902.0005.7	1	shaft
6	0.902.0093.3	1	dowel 10 x 8 x 25
7	0.902.0162.0	2	support
8	0.902.0146.2	2	lamination
9	0.902.0116.0	4	disc Ø 14
10	0.902.0062.1	4	screw m 14 x 35
11	0.902.0211.3	1	pin
12	0.902.0130.7	1	joint
13	0.902.0085.6	1	sleeve
14	0.902.0048.1	1	screw m 8 x 35
15	0.902.0129.1	1	joint
16	0.902.0017.4	3	pin
17	0.902.0057.6	2	screw m 10 x 100
18	0.902.0211.0	1	brace
19	0.902.0024.7	1	hydraulic motor
20	0.902.0053.3	4	screw m 6 x 22
21	0.902.0186.1	8	washer Ø 6
22	0.902.0053.2	4	screw m 6 x 35
23	0.902.0096.8	1	flange 18L-35
24	0.902.0019.1	2	ring 18 x 2,5
25	0.902.0190.8	1	shaped part m 12 x 1,5
26	0.902.0110.4	2	nut m 10
27	0.902.0186.4	5	washer Ø 10
28	0.902.0096.4	1	flange 12L-35
29	0.902.0092.7	1	dowel 3 x 5
30	0.902.0064.0	3	screw m 10 x 25
31	0.902.0154.8	1	hub
32	0.902.0121.2	1	link
33	0.902.0008.0	2	ring Ø 40
34	0.902.0158.9	1	gasket set
35	0.902.0132.1	1	gasket
36	0.902.0072.8	1	workshop tool

Section: CAB
INTERIOR TRIM

Abdeckbleche
 rechts / links

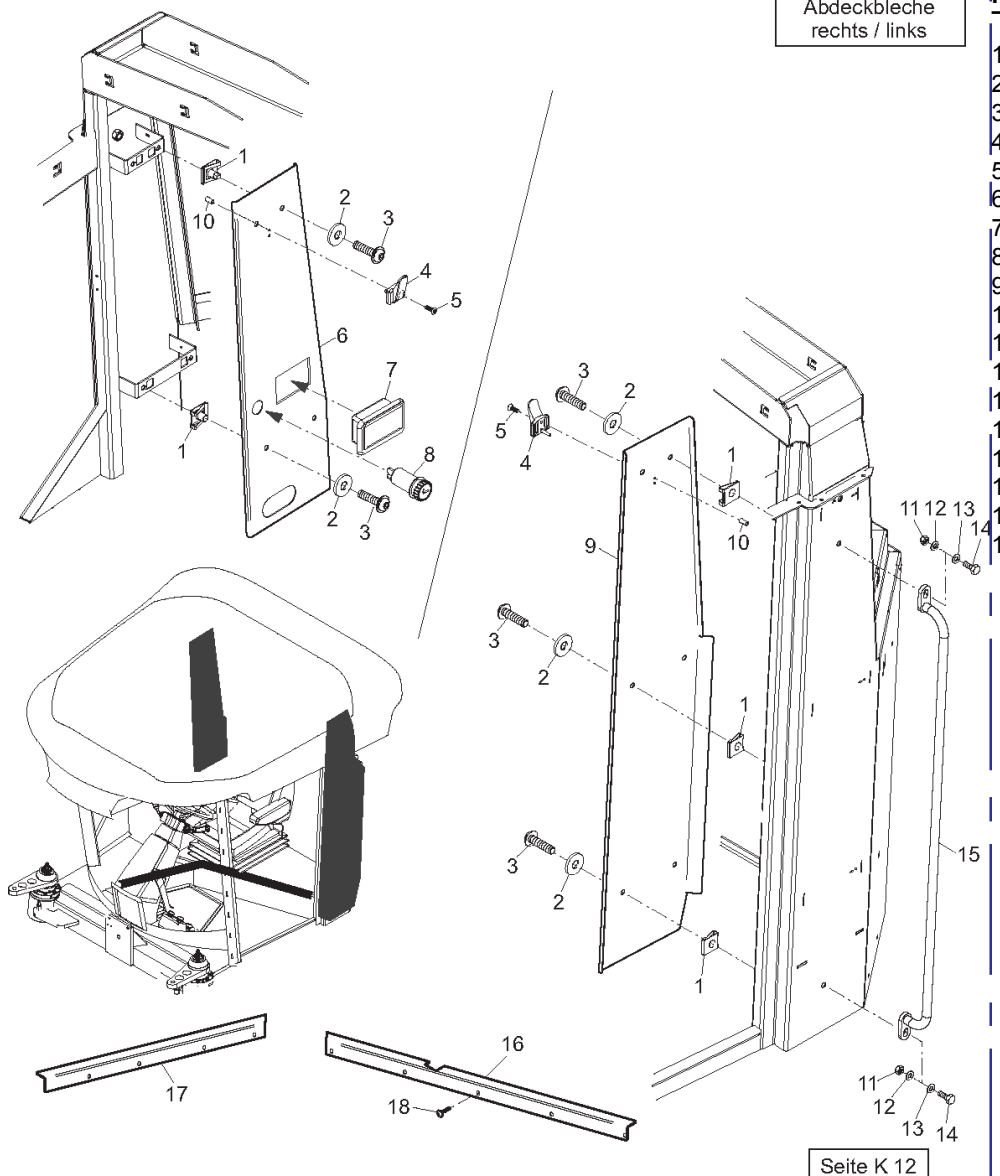


Fig.	Code	QTY	Name
1	0.902.0114.7	10	nut
2	0.902.0188.1	10	washer
3	0.902.0065.2	10	screw m 6 x 20
4	0.902.0131.1	2	clevis
5	0.902.0065.4	2	screw Ø 4,8 x 19
6	0.902.0145.5	1	lamination
7	0.902.0231.7	1	ash-try
8	0.902.0230.9	1	cigar lighter
9	0.902.0144.9	1	lamination
10	0.902.0126.9	2	flexible hose
11	0.902.0109.9	2	nut m 10
12	0.902.0001.0	2	disc 10 x 23
13	0.902.0185.9	2	washer m 10
14	0.902.0051.0	2	screw m 10 x 25
15	0.902.0044.0	1	tube
16	0.902.0145.0	1	lamination
17	0.902.0145.1	1	lamination
18	0.902.0065.9	9	screw m 6 x 10

Section: CAB
COLOUR SCREEN

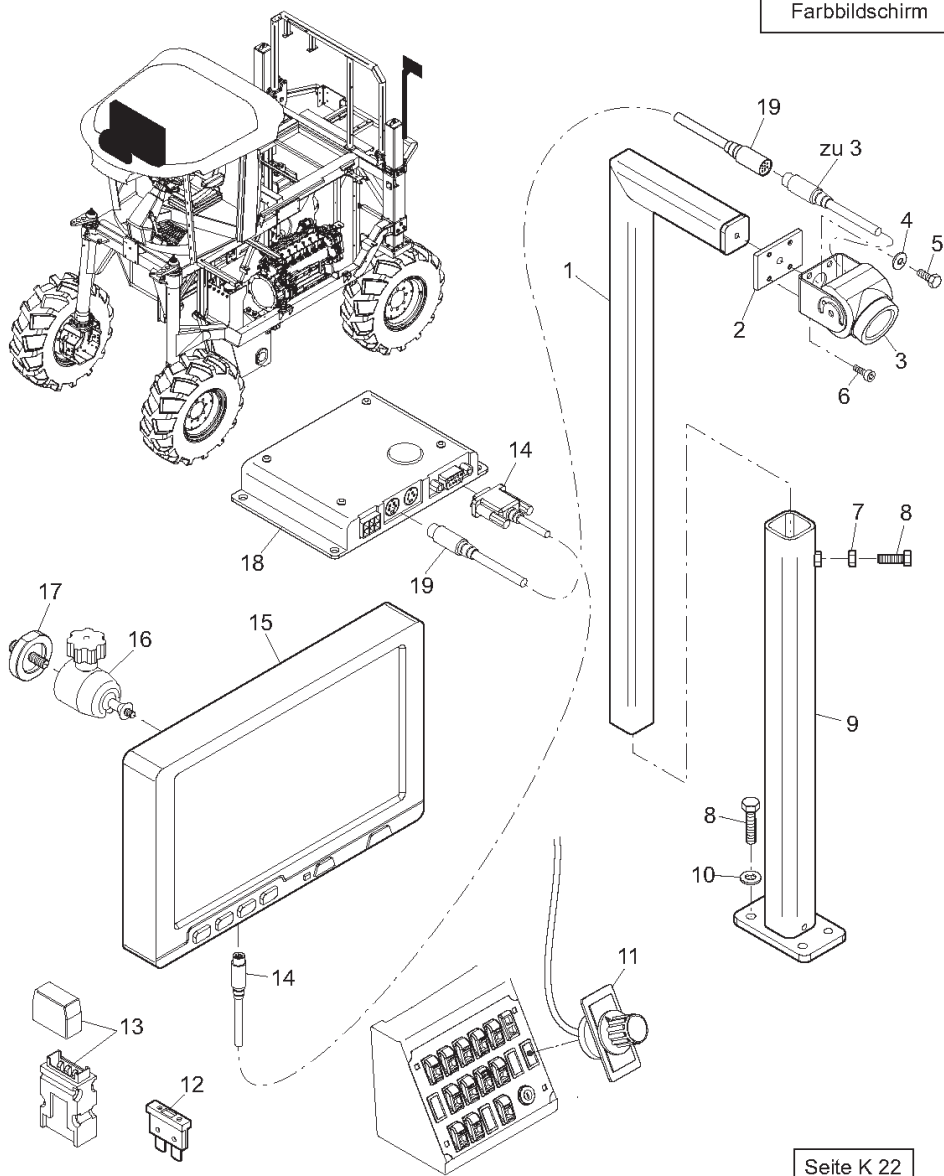
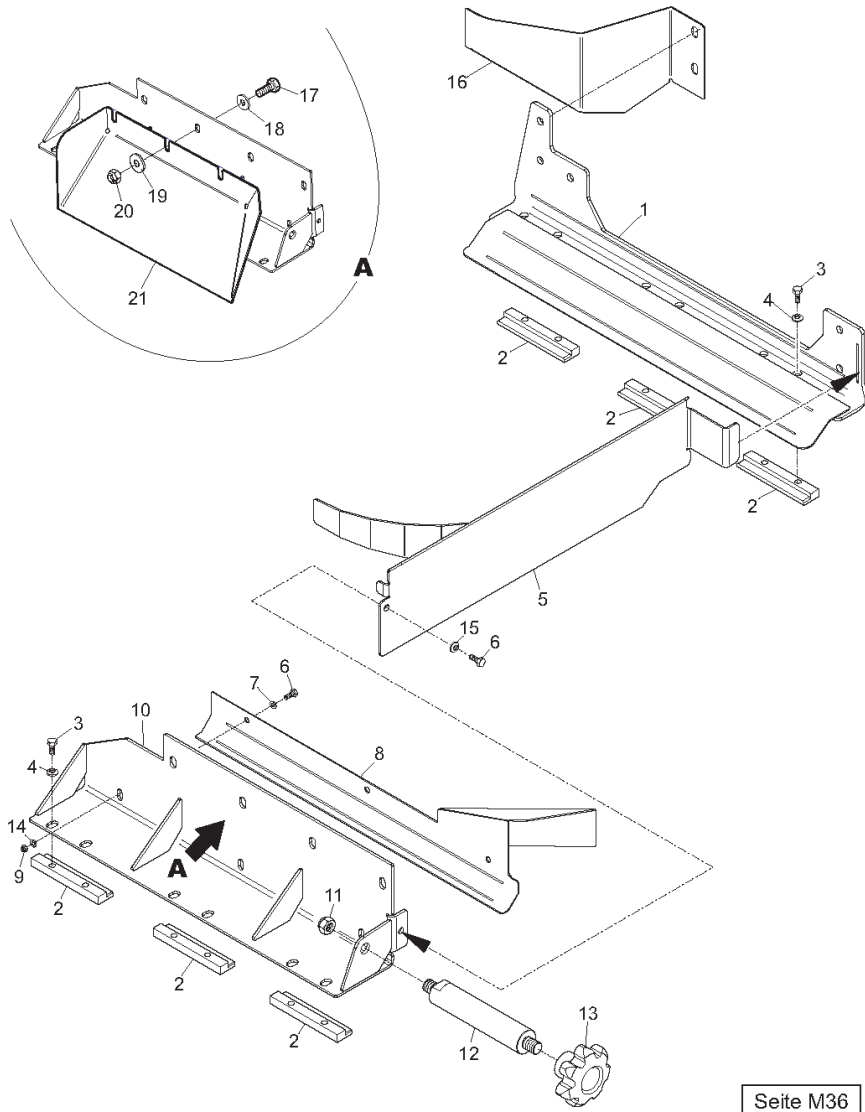


Fig.	Code	QTY	Name
1	0.902.0171.5	1	support
2	0.902.0014.3	1	plate
3	0.902.0067.9	1	camera
4	0.902.0188.4	1	washer m 6
5	0.902.0050.3	1	screw m 6 x 20
6	0.902.0059.7	4	screw m 6 x 10
7	0.902.0110.0	1	nut m 8
8	0.902.0001.9	5	screw m 8 x 25
9	0.902.0044.1	1	tube
10	0.902.0001.1	4	washer Ø 8
11	0.902.0178.0	1	cab harness
12	0.902.0183.0	1	fuse 3 A
13	0.902.0223.4	1	carrier
14	0.902.0089.1	1	wire
15	0.902.0025.1	1	monitor
16	0.902.0128.4	1	joint
17	0.902.0006.4	1	adapter
18	0.902.0085.8	1	central device
19	0.902.0089.2	1	wire

Section: CONVEYOR BELT
SHEET PANELS

kleines Förderband
ohne Entrapper



Seite M36

Fig.	Code	QTY	Name
1	0.902.0200.6	1	scraper
2	0.902.0214.9	6	guide
3	0.902.0047.8	12	screw m 8 x 16
4	0.902.0001.1	12	washer Ø 8
5	0.902.0200.4	1	scraper
6	0.902.0047.5	4	screw m 6 x 16
7	0.902.0185.4	3	washer m 6
8	0.902.0200.5	1	scraper
9	0.902.0109.5	3	nut m 6
10	0.902.0166.8	1	support
11	0.902.0111.3	1	nut m 12
12	0.902.0015.9	1	pin
13	0.902.0153.2	1	handle
14	0.902.0186.3	3	washer Ø 6
15	0.902.0115.9	1	washer 6 x 14
16	0.902.0143.2	1	lamination
17	0.902.0048.2	3	screw m 8 x 25
18	0.902.0185.5	3	washer Ø 8
19	0.902.0186.5	3	washer Ø 8
20	0.902.0110.2	3	nut m 8
21	0.902.0179.8	1	panel

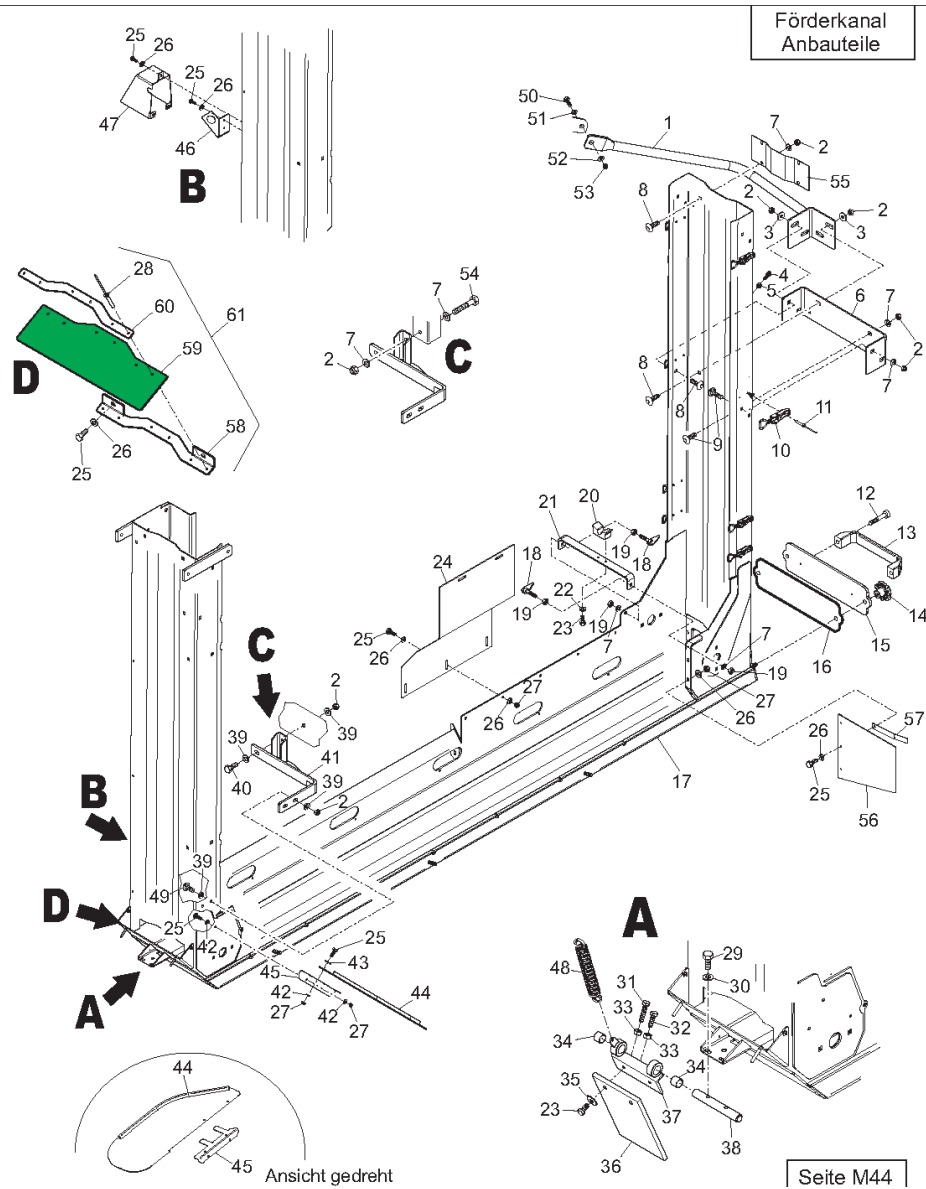
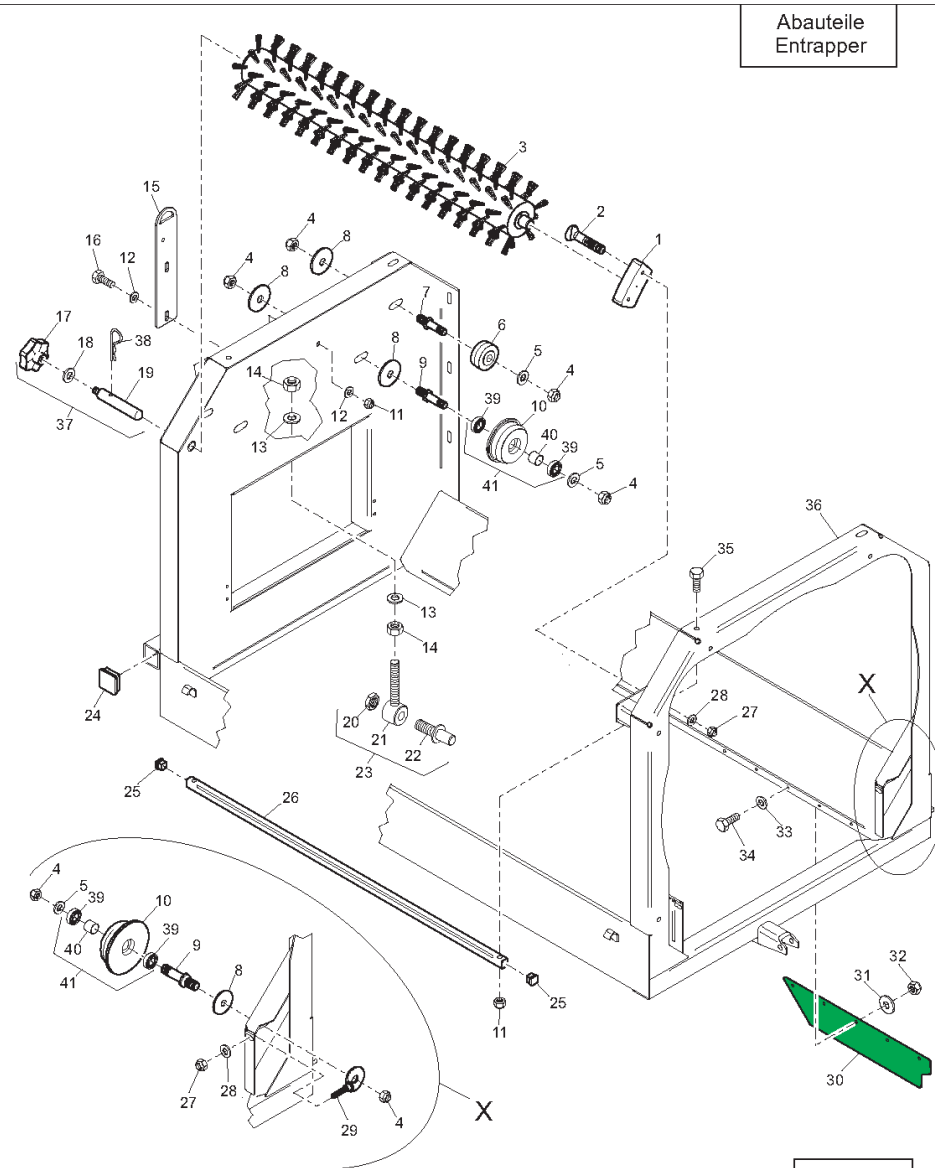


Fig.	Code	QTY	Name
1	0.902.0220.0	1	crosspiece
2	0.902.0110.3	11	nut m 10
3	0.902.0186.8	4	washer Ø 10
4	0.902.0054.7	4	screw m 8 x 25
5	0.902.0109.6	4	nut m 8
6	0.902.0170.9	1	support
7	0.902.0185.7	8	washer Ø 10
8	0.902.0048.7	6	screw m 10 x 30
9	0.902.0048.8	4	screw m 10 x 25
10	0.902.0090.8	8	closure
11	0.902.0201.8	16	rivet 4 x 10
12	0.902.0055.4	2	screw m 8 x 16
13	0.902.0152.4	1	tube
14	0.902.0153.2	2	handle
15	0.902.0102.5	1	cover
16	0.902.0130.8	1	rubber
17	0.902.0094.9	1	canal
18	0.902.0227.1	2	scraper mm 45
19	0.902.0109.8	8	nut m 10
20	0.902.0092.6	1	terminal
21	0.902.0216.7	1	bracket
22	0.902.0185.5	2	washer Ø 8
23	0.902.0050.7	4	screw m 8 x 16
24	0.902.0118.0	1	baffle
25	0.902.0047.5	10	screw m 6 x 16
26	0.902.0186.3	13	washer Ø 6
27	0.902.0109.5	6	nut m 6
28	0.902.0202.1	6	rivet 4 x 12
29	0.902.0047.2	2	screw m 8 x 20
30	0.902.0001.5	2	washer m 8
31	0.902.0048.1	1	screw m 8 x 35
32	0.902.0001.9	1	screw m 8 x 25
33	0.902.0110.0	2	nut m 8
34	0.902.0084.4	2	sleeve
35	0.902.0186.0	2	washer m 8
36	0.902.0179.3	1	sensor
37	0.902.0165.9	1	support
38	0.902.0004.1	1	shaft
39	0.902.0186.7	8	washer Ø 10
40	0.902.0048.0	1	screw m 10 x 30
41	0.902.0205.1	1	angular
42	0.902.0185.4	6	washer m 6
43	0.902.0186.3	2	washer Ø 6
44	0.902.0220.6	1	plate

Section: DESTEMMER
BRUSH



Abauteile
Entrapper

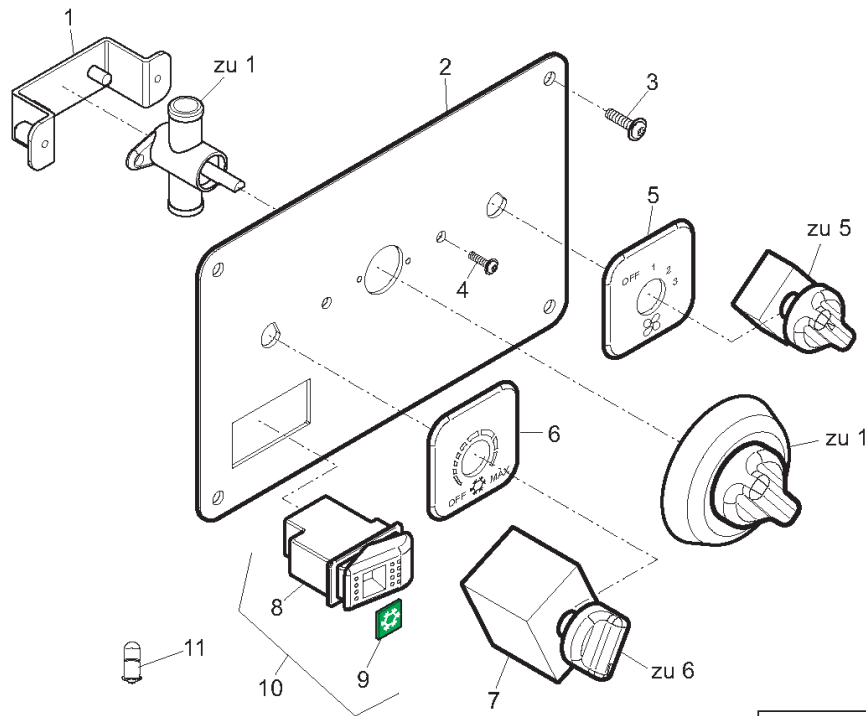
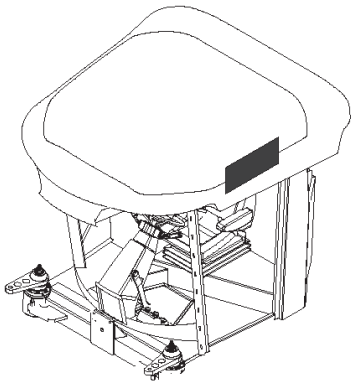
Seite M76

Fig.	Code	QTY	Name
1	0.902.0184.3	1	lamination
2	0.902.0060.0	2	screw m 8 x 40
3	0.902.0209.9	1	brush L = MM 883
4	0.902.0112.3	12	nut m 16
5	0.902.0187.3	6	washer Ø 16
6	0.902.0208.6	2	roller
7	0.902.0004.6	2	shaft
8	0.902.0189.2	8	washer Ø 8
9	0.902.0004.5	4	shaft
10	0.902.0208.3	4	roller
11	0.902.0112.3	4	nut m 16
12	0.902.0186.7	4	washer Ø 10
13	0.902.0185.3	2	washer Ø 20
14	0.902.0112.5	2	nut m 20
15	0.902.0098.8	1	plate
16	0.902.0047.1	2	screw m 10 x 25
17	0.902.0153.0	1	handle
18	0.902.0185.7	1	washer Ø 10
19	0.902.0016.4	1	pin
20	0.902.0114.5	1	nut m 24 x 1,5
21	0.902.0077.7	1	rod
22	0.902.0016.3	1	pin
23	0.902.0134.0	1	guide
24	0.902.0175.0	2	plug 50 x 50 x 5
25	0.902.0175.1	2	plug 18 x 18
26	0.902.0045.3	1	tube
27	0.902.0110.2	4	nut m 8
28	0.902.0185.5	4	washer Ø 8
29	0.902.0117.9	2	disc
30	0.902.0200.9	2	scraper
31	0.902.0186.3	10	washer Ø 6
32	0.902.0109.5	10	nut m 6
33	0.902.0185.4	10	washer m 6
34	0.902.0047.5	10	screw m 6 x 16
35	0.902.0051.6	2	screw m 10 x 35
36	0.902.0177.2	1	box
37	0.902.0134.1	1	guide
38	0.902.0101.0	1	split pin Ø 5
39	0.902.0107.5	8	bearing 6003 2RS
40	0.902.0085.0	4	sleeve
41	0.902.0208.4	4	roller

Section: ELECTRICAL SYSTEM
A/C CONTROLS

Bedienfeld
 Klimaanlage / Lüftung

Fig.	Code	QTY	Name
1	0.902.0072.1	1	valve
2	0.902.0231.1	1	panel
3	0.902.0065.6	4	screw Ø 6,3 x 16
4	0.902.0065.4	2	screw Ø 4,8 x 19
5	0.902.0121.6	1	link HEATING
6	0.902.0121.7	1	link A/C
7	0.902.0217.8	1	thermostat
8	0.902.0114.9	1	switch
9	0.902.0181.0	1	graphical symbol
10	0.902.0137.6	1	switch
11	0.902.0223.1	1	carrier



Seite K 3

Agrovitis 175

B0 - ENGINE

GENERAL

DEUTZ ENGINE 147 kW / 197 HP..... B0.00.0 (1)

CYLINDER BLOCK

ERECTING FOOT..... B0.01.1002

SEPARATOR..... B0.01.1003

FASTENINGS..... B0.01.1007

FASTENINGS..... B0.01.1010

FASTENINGS..... B0.01.1014

GASKET SET..... B0.01.1029

BLEEDING TUBE..... B0.01.1044

CRANKCASE BREATHER..... B0.01.1055

CRANKCASE..... B0.01.1078

OIL FILLER NECK..... B0.01.1092

DIPSTICK..... B0.01.1100

OIL MEASURING DEVICE..... B0.01.1103

CLOSING COMPONENTS..... B0.01.1125

ACCESSORIES..... B0.01.1139

ACCESSORIES..... B0.01.1140

PISTON COOL.NOZZLE..... B0.01.1160

OIL RETURN..... B0.01.1162

FLANGE..... B0.01.1167

CRANKSHAFT

FASTENINGS..... B0.02.1006

CRANKSHAFT..... B0.02.1044

FLYWHEEL..... B0.02.1066

PLUG..... B0.02.1077

MAIN BEARINGS..... B0.02.1084

CRANKSHAFT PULLEY..... B0.02.1091

CRANKSHAFT PULLEY..... B0.02.1092

CYLINDERS - PISTONS - CONNECTING RODS

PISTON..... B0.03.1011

CONNECTING ROD..... B0.03.1025

TIMING

COVER PLATE..... B0.04.1002

FASTENINGS..... B0.04.1004

FASTENINGS..... B0.04.1012

BUSH..... B0.04.1024

ROCKER ARM BRACKET..... B0.04.1052

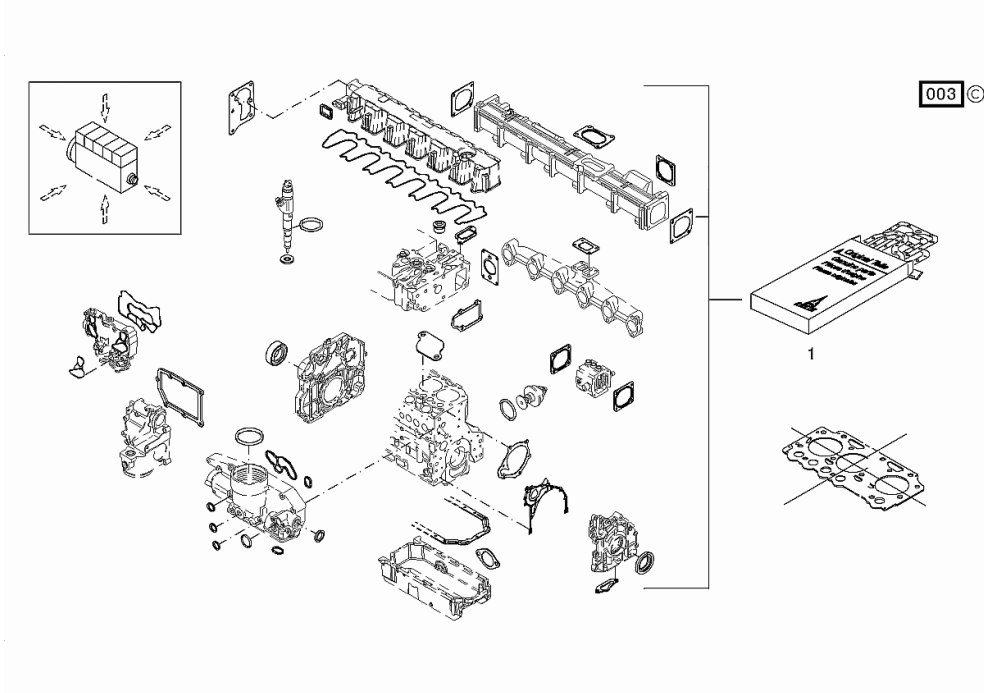
ROCKER ARM BRACKET..... B0.04.1053

ROCKER ARM BRACKET..... B0.04.1054

CAMSHAFT..... B0.04.1071

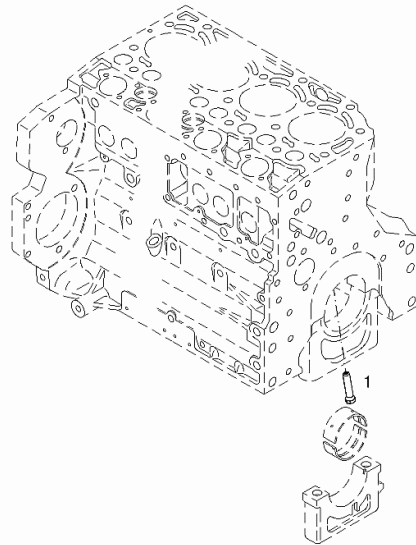
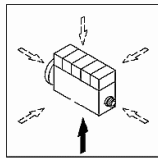
GASKET SET

Fig.	Code	QTY	Name
1	02937588	1	gasket set The gasket kit does not contain The gasket kit does not contain see SM 0199-99-9449 The gasket kit does not contain The gasket kit does not contain see SM 0199-99-9449



Section: B0 - ENGINE
PISTON COOL.NOZZLE

Fig.	Code	QTY	Name
1	04207521	1	windscreen washer

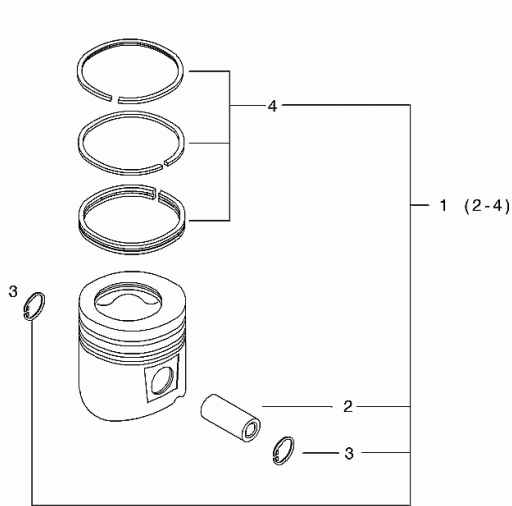
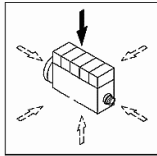


001 ©

Section: B0 - ENGINE

PISTON

Fig.	Code	QTY	Name
1	04284390	1	piston WITH POS.... (2-4)
2	04284246	1	piston pin
3	01107827	2	circlip 40 x 1.75 DIN 472 -40X1,75
4	04501092	1	piston ring set NORMAL (A) MM RD, FOR OVERSIZE SEE POS (B) A = 101.0 MM B = POS. 951
950	04285669	1	piston XXX SEE POS. OVERSIZE SEE POS. (B) XXX SEE POS. (B) 1st OVERSIZE (A) = ... MM SEE POS. (B) A = 101.5 MM B = POS.1
951	04501093	1	piston OVERSIZING OVERSIZED A = 101.5 MM

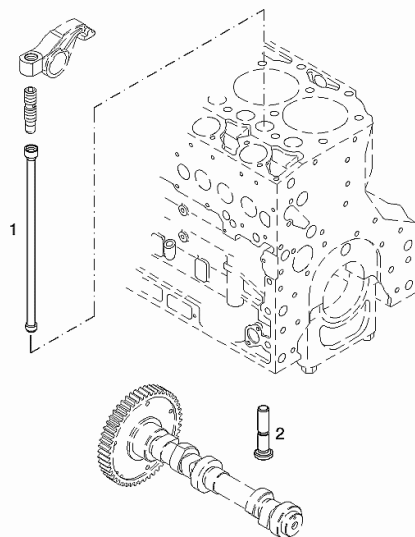
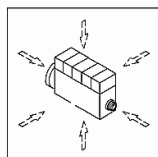


950

951

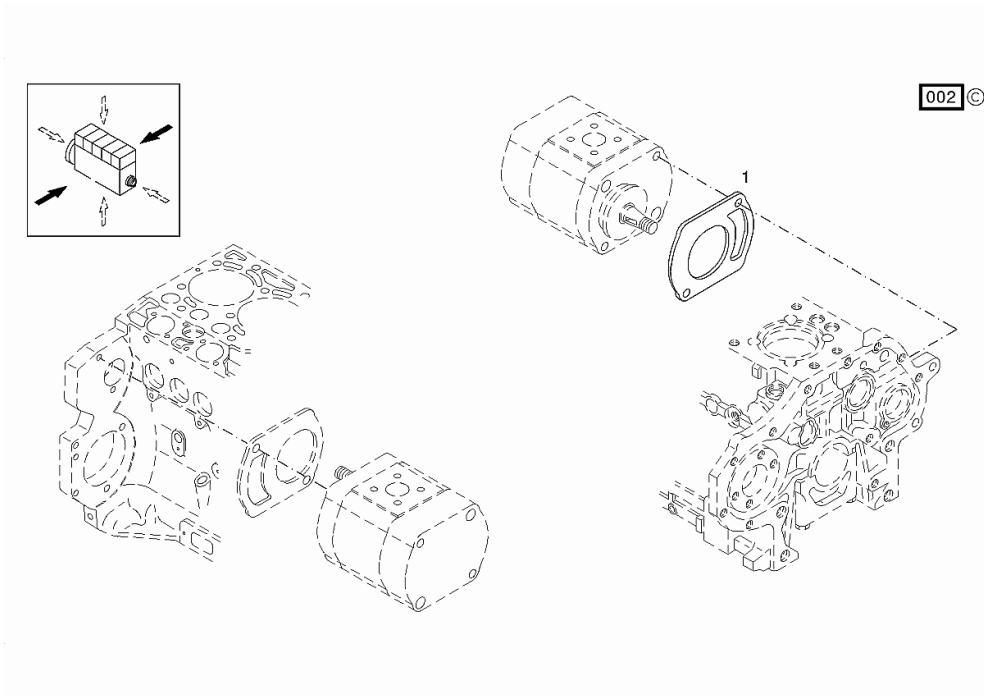
VALVE DRIVE

Fig.	Code	QTY	Name
1	04206377	1	rod
2	04284765	1	cap



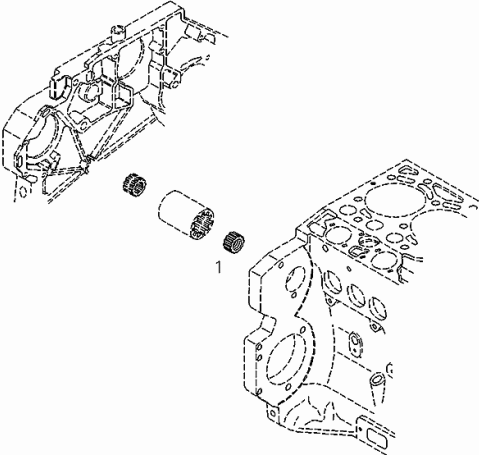
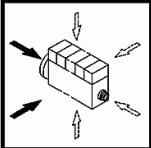
000 ©

Fig.	Code	QTY	Name
1	02239230	1	gasket



Section: B0 - ENGINE
HYDRAULIC PUMP DRIVE

Fig.	Code	QTY	Name
1	04256463	1	nut

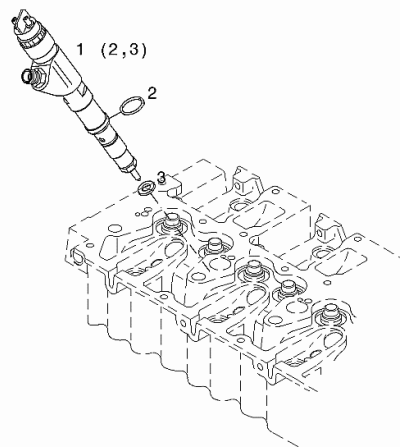
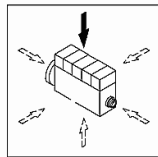


000 ©

0507 4791

Section: B0 - ENGINE
FUEL INJECTOR

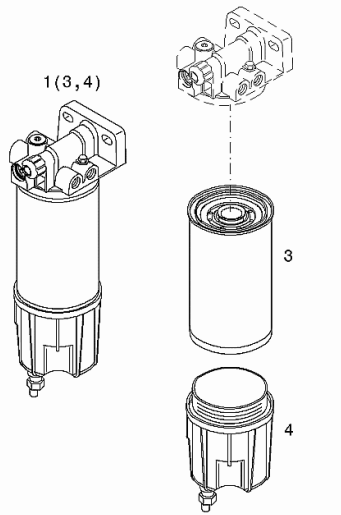
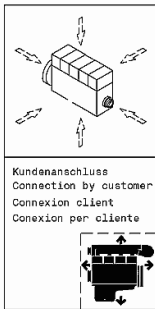
Fig.	Code	QTY	Name
1	04290987	1	nozzle WITH POS.... (2,3)
2	04291399	1	'o' ring
3	04291400	1	'o' ring



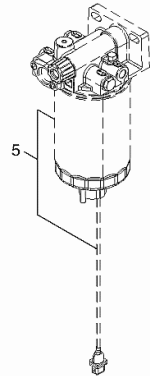
000 ©

Section: B0 - ENGINE
FUEL PRELIMINARY FILTER

Fig.	Code	QTY	Name
1	04295420	1	fuel filter kpl. WITH POS.... (3,4)
3	04291642	1	fuel filter element
4	04292266	1	container
5	02937545	1	filter FOR THE FIRST CHANGE



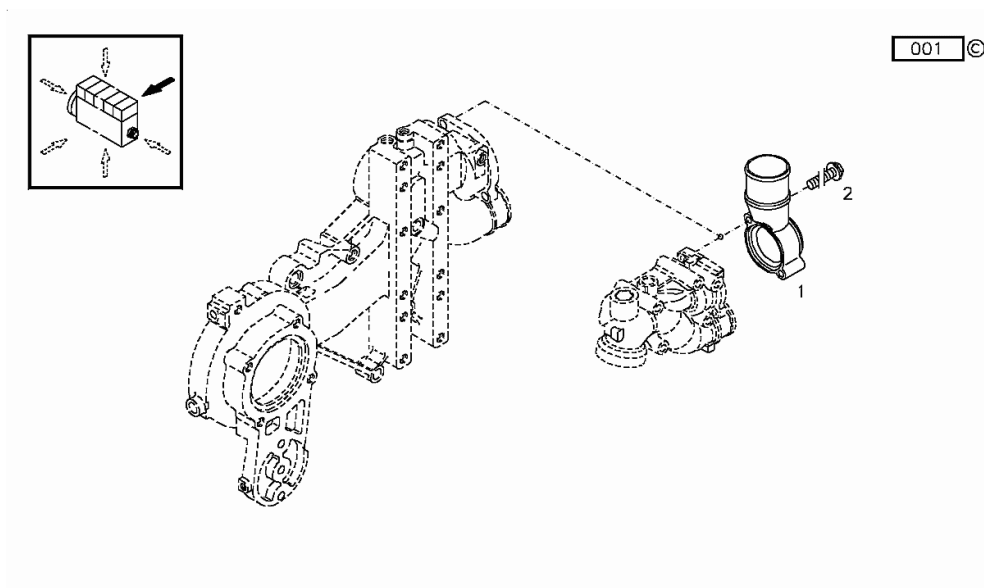
ETL-Blatt 0511 8386
 TR0199-20-1211



001 ©

Section: B0 - ENGINE
COOLING WATER PIPE

Fig.	Code	QTY	Name
1	04256565	1	tongue
2	01181431	2	screw EN 1662 -F-M8X50-10.9-ZNAL-A



CLICK HERE TO **DOWNLOAD** THE COMPLETE MANUAL

- Thank you very much for reading the preview of the manual.
- You can download the complete manual from: www.heydownloads.com by clicking the link below

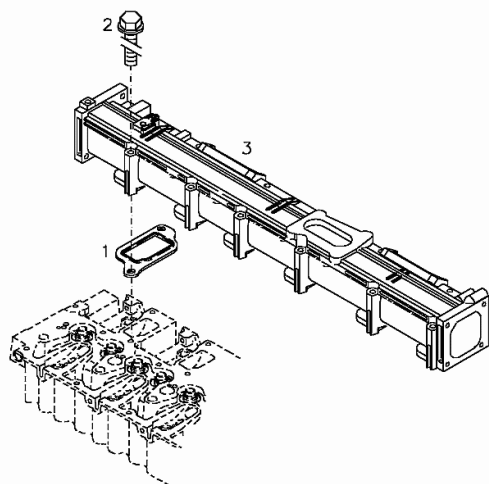
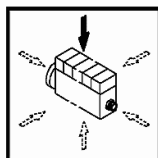


- Please note: If there is no response to CLICKING the link, please download this PDF first and then click on it.

CLICK HERE TO **DOWNLOAD** THE COMPLETE MANUAL

MANIFOLD

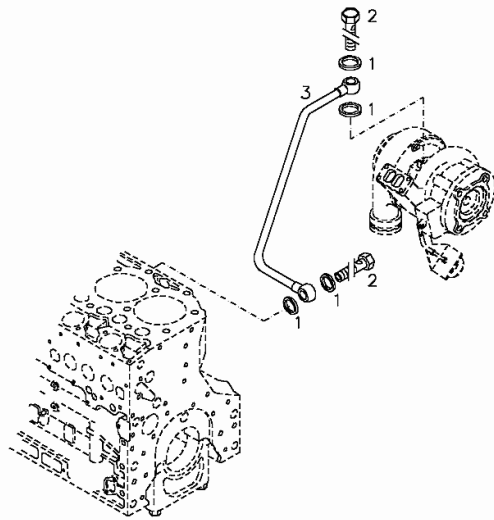
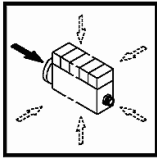
Fig.	Code	QTY	Name
1	04283576	6	gasket
2	01181434	12	screw EN 1662 -F-M6X75-10.9-ZNAL-A*
3	04288832	1	manifold



000 ©

Section: B0 - ENGINE
OIL LUBRICATION PIPE

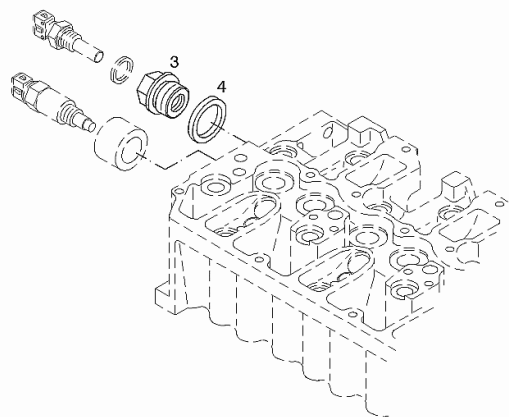
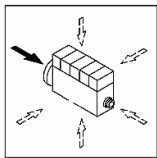
Fig.	Code	QTY	Name
1	01118688	4	ring 14x17 DIN 7603 -A14X18-CU
2	01119246	2	pipe union H 3102 -D10 M H 3102 -D10M-ST-A4C
3	04289090	1	tube



000 ©

ACCESSORIES

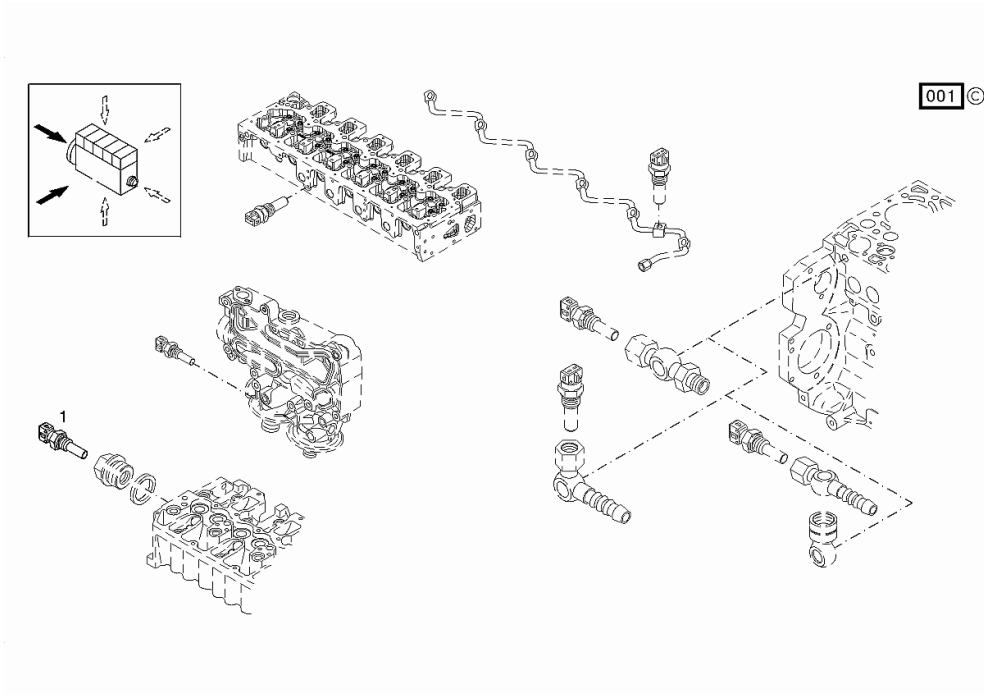
Fig.	Code	QTY	Name
3	04199761	1	plug
4	01118760	1	gasket 26x31 DIN 7603 -A26X31-CU



001 ©

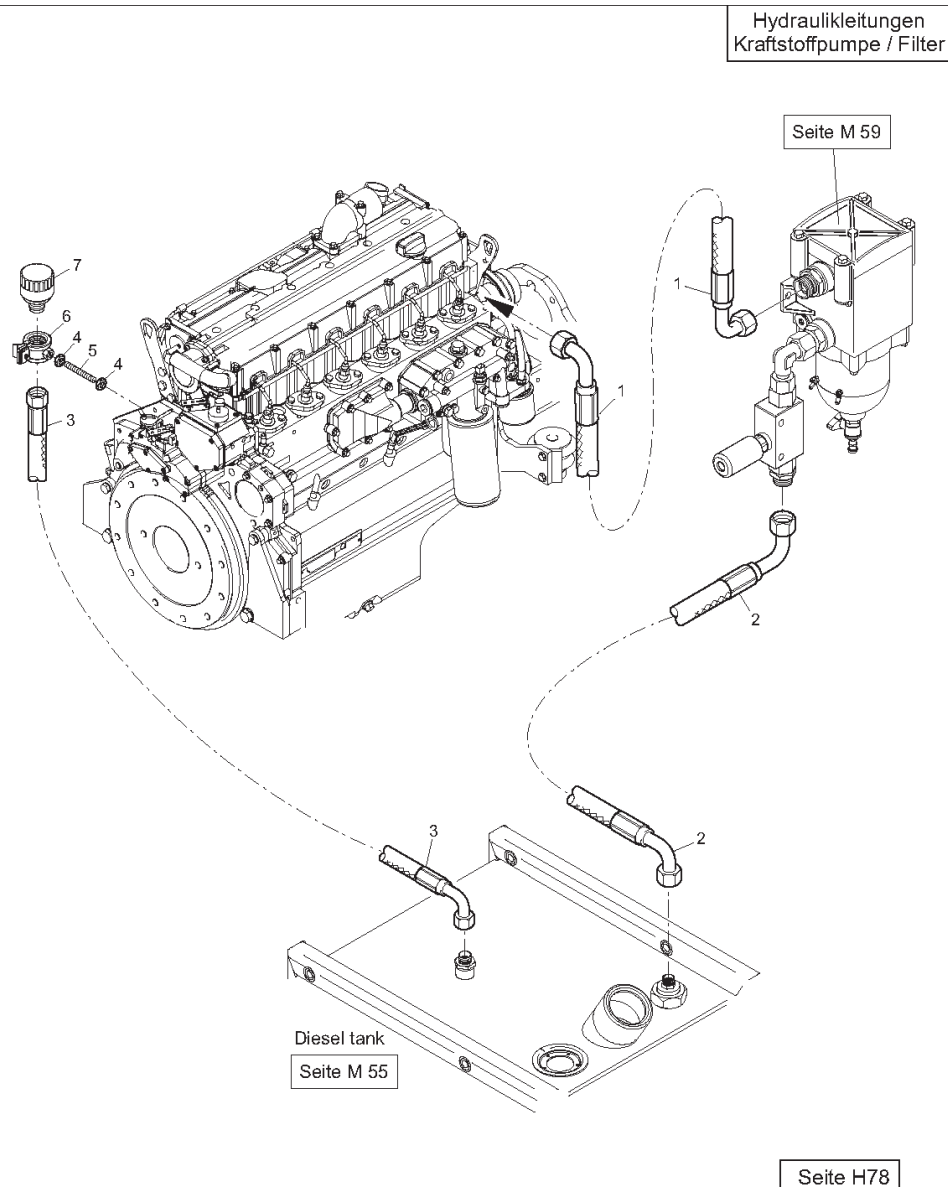
Section: B0 - ENGINE
TEMPER.TRANSMITTER

Fig.	Code	QTY	Name
1	04213839	1	tempe guage 25 Nm



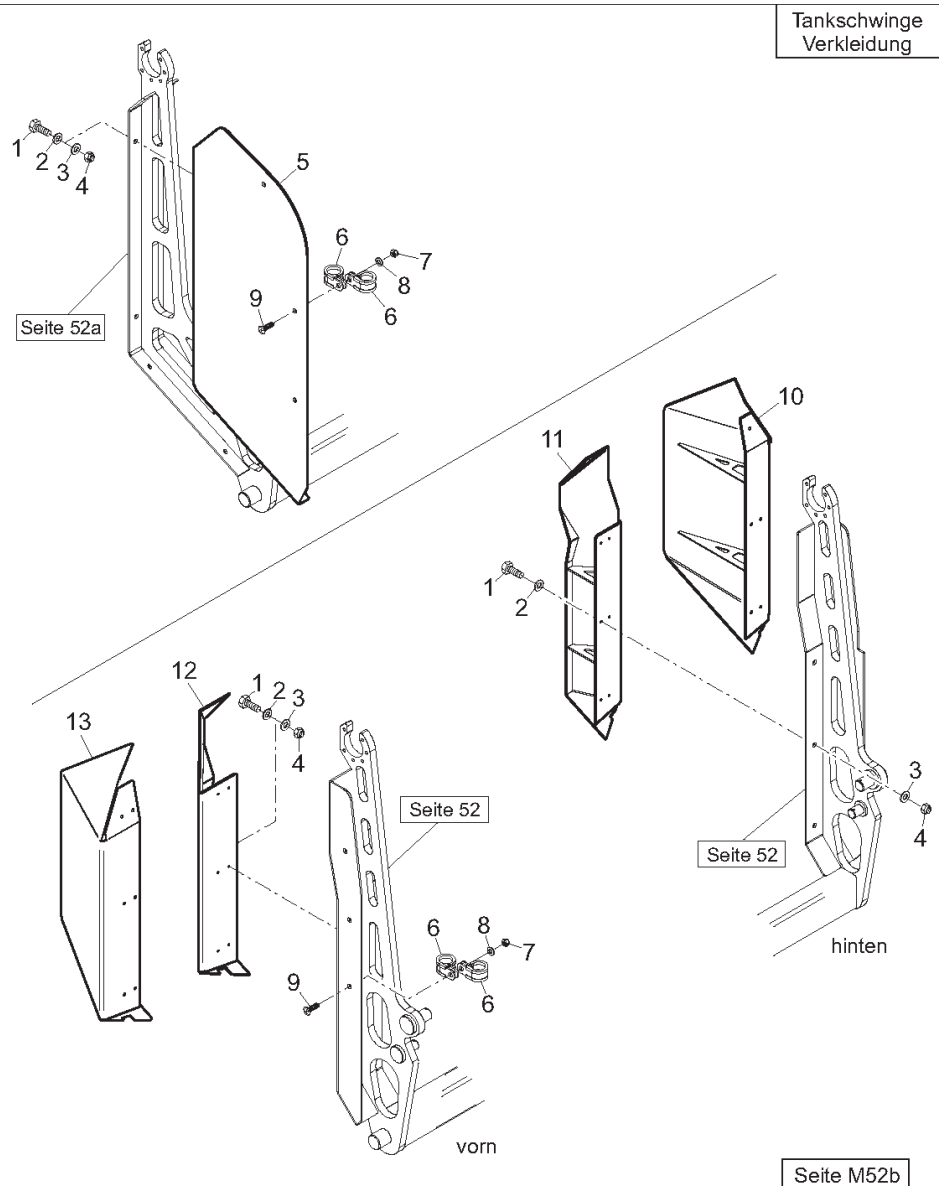
FUEL PIPES

Fig.	Code	QTY	Name
1	0.902.0042.6	1	flexible hose 1SN 12 x 350
2	0.902.0042.3	1	flexible hose 1SN 12 x 1100
3	0.902.0031.0	1	flexible hose 1SN 10 x 650
4	0.902.0110.1	2	nut m 8
5	0.902.0055.2	1	stud bolt m 8 x 15
6	0.902.0124.5	1	clamp Ø 21/23
7	0.902.0126.7	1	filter



Section: GRAPE TANK
SWINGING ARM

Fig.	Code	QTY	Name
1	0.902.0001.9	16	screw m 8 x 25
2	0.902.0001.5	16	washer m 8
3	0.902.0001.1	16	washer Ø 8
4	0.902.0001.4	16	nut m 8
5	0.902.0103.6	1	cover
6	0.902.0124.0	12	clamp Ø 15/15
7	0.902.0111.5	6	nut m 6
8	0.902.0115.9	6	washer 6 x 14
9	0.902.0063.6	6	screw
10	0.902.0202.8	1	lining
11	0.902.0203.0	1	lining
12	0.902.0202.9	1	lining
13	0.902.0202.7	1	lining



Section: HYDRAULIC SYSTEM
MS-2560 BLOCK (5 ELEMENTS)

Ventilblock MS-2560 rechts
 mit Steillagensicherung

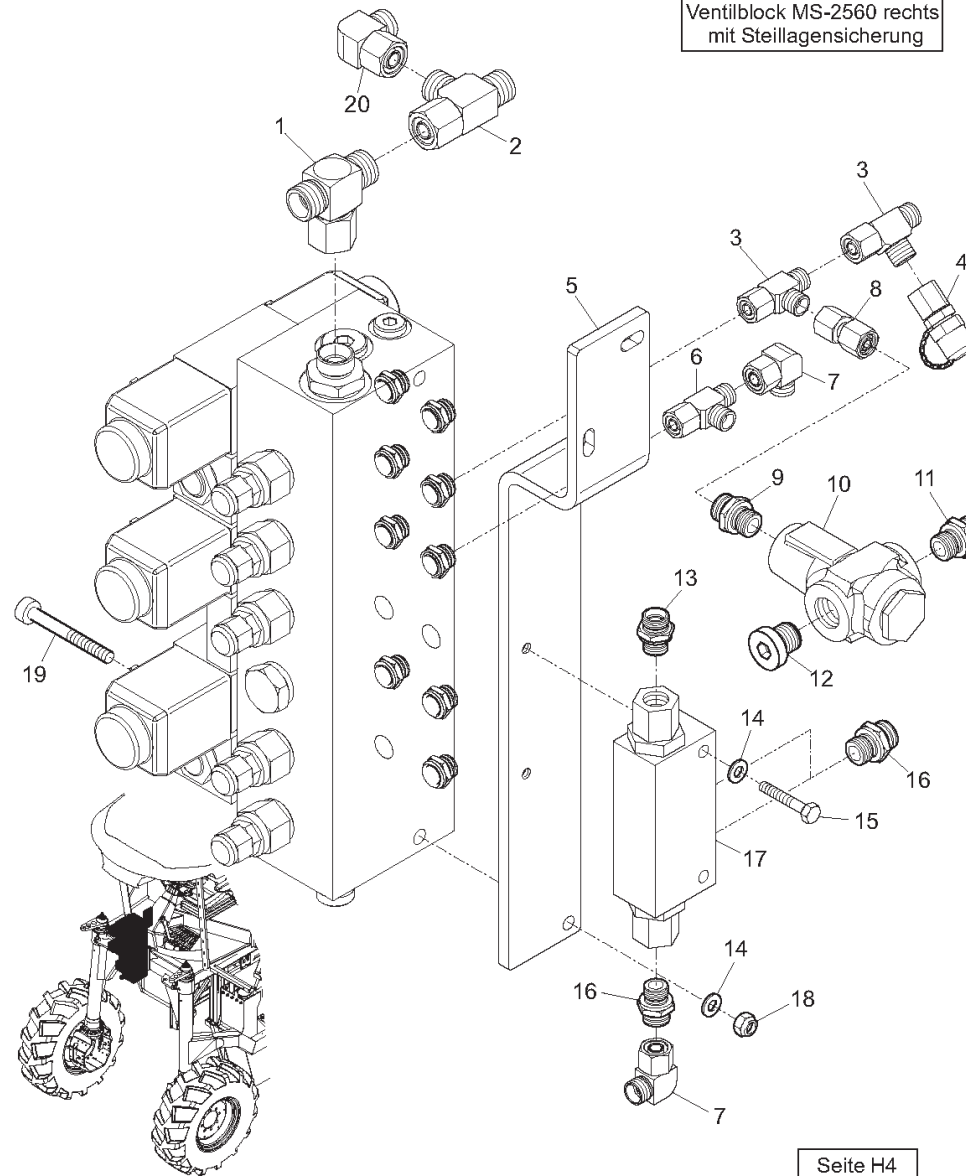
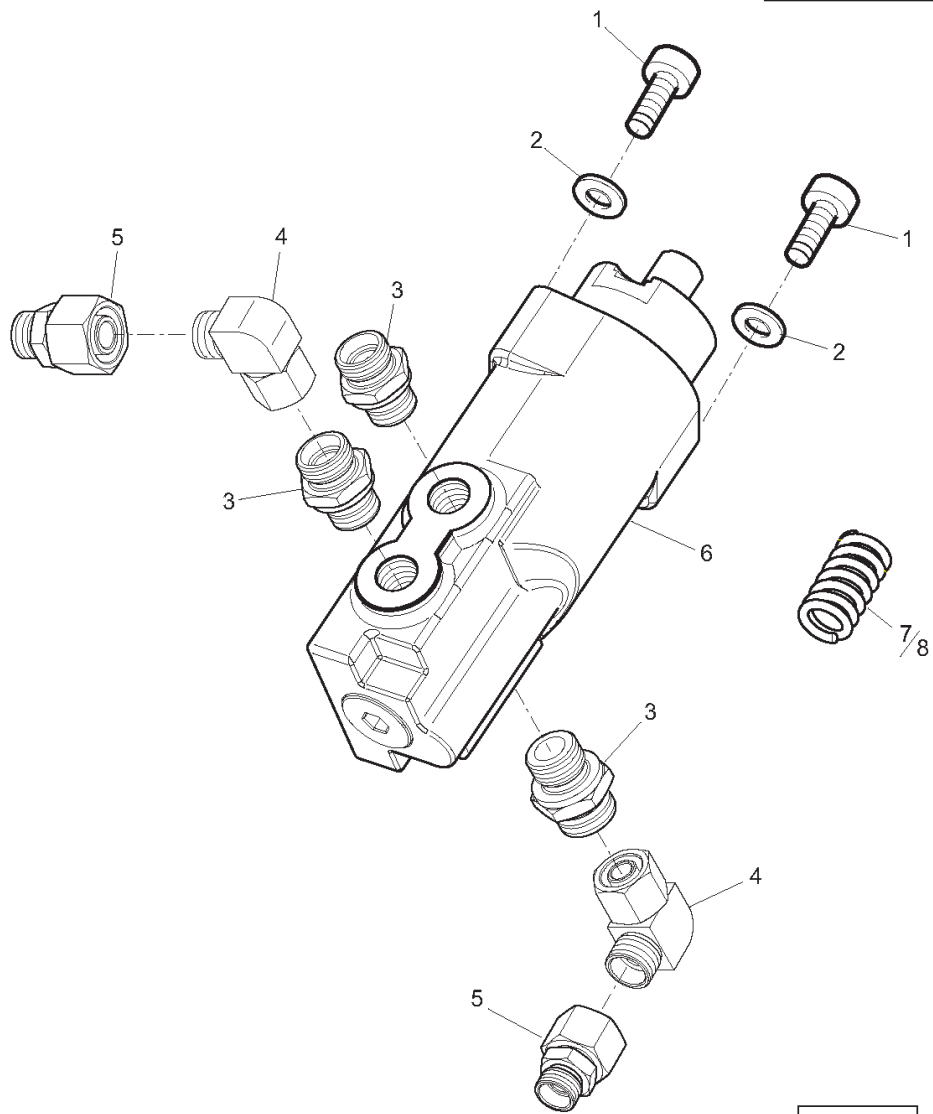


Fig.	Code	QTY	Name
1	0.902.0086.0	1	pipe union 15L
2	0.902.0022.5	1	pipe fitting 15L
3	0.902.0022.2	2	sleeve 8L
4	0.902.0197.1	1	shaped part Ø 8 X 47
5	0.902.0164.6	1	support
6	0.902.0022.4	1	sleeve 12L
7	0.902.0086.6	2	pipe fitting 12L
8	0.902.0097.3	1	pipe fitting 8L
9	0.902.0191.2	1	shaped part m 18 x 1,5
10	0.902.0069.5	1	valve
11	0.902.0190.1	1	shaped part m 18 x 1,5
12	0.902.0174.4	1	plug 12 x 66
13	0.902.0124.6	1	throttle
14	0.902.0001.1	4	washer Ø 8
15	0.902.0049.7	2	screw m 8 x 45
16	0.902.0192.4	3	shaped part 12L/R 3/8" WD
17	0.902.0083.1	1	small block
18	0.902.0001.4	2	nut m 8
19	0.902.0061.1	2	screw m 8 x 90
20	0.902.0086.7	1	pipe fitting 15L

Section: HYDRAULIC SYSTEM
BRAKE VALVE

Hydraulikleitungen
 Fußbremse-Ventil



Seite H14

Fig.	Code	QTY	Name
1	0.902.0057.5	2	screw m 8 x 25
2	0.902.0001.1	2	washer Ø 8
3	0.902.0190.6	3	shaped part m16 x 1,5
4	0.902.0086.6	2	pipe fitting 12L
5	0.902.0073.7	2	connection 12L/8L
6	0.902.0069.2	1	valve 125 bar
7	0.902.0020.0	0	spring
8	0.902.0020.1	0	spring

Section: HYDRAULIC SYSTEM
BALANCING VALVE

Lenkausgleichsventil

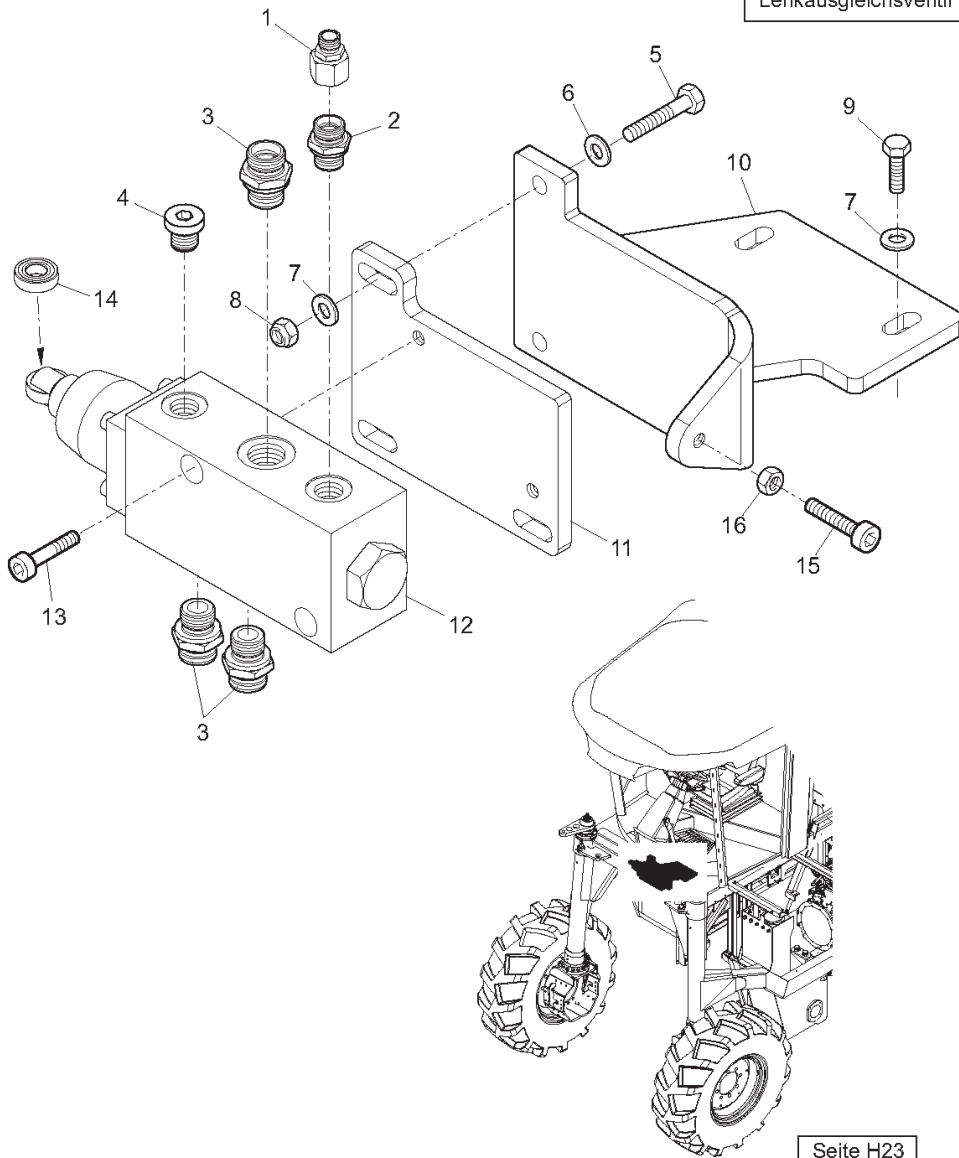


Fig.	Code	QTY	Name
1	0.902.0074.0	1	reduction 10L/18L
2	0.902.0190.0	1	shaped part m 14 x 1,5
3	0.902.0192.0	3	shaped part m 18 x 1,5
4	0.902.0174.2	1	plug m 14 x 1,5
5	0.902.0054.1	3	screw m 8 x 30
6	0.902.0001.5	3	washer m 8
7	0.902.0001.1	5	washer Ø 8
8	0.902.0001.4	3	nut m 8
9	0.902.0001.9	2	screw m 8 x 25
10	0.902.0166.9	1	support
11	0.902.0013.9	1	plate
12	0.902.0068.5	1	valve
13	0.902.0057.2	2	screw m 8 x 30
14	0.902.0107.4	1	bearing 626 2RS1
15	0.902.0057.2	1	screw m 8 x 30
16	0.902.0110.0	1	nut m 8

Section: HYDRAULIC SYSTEM
WASHING VALVE HOSES

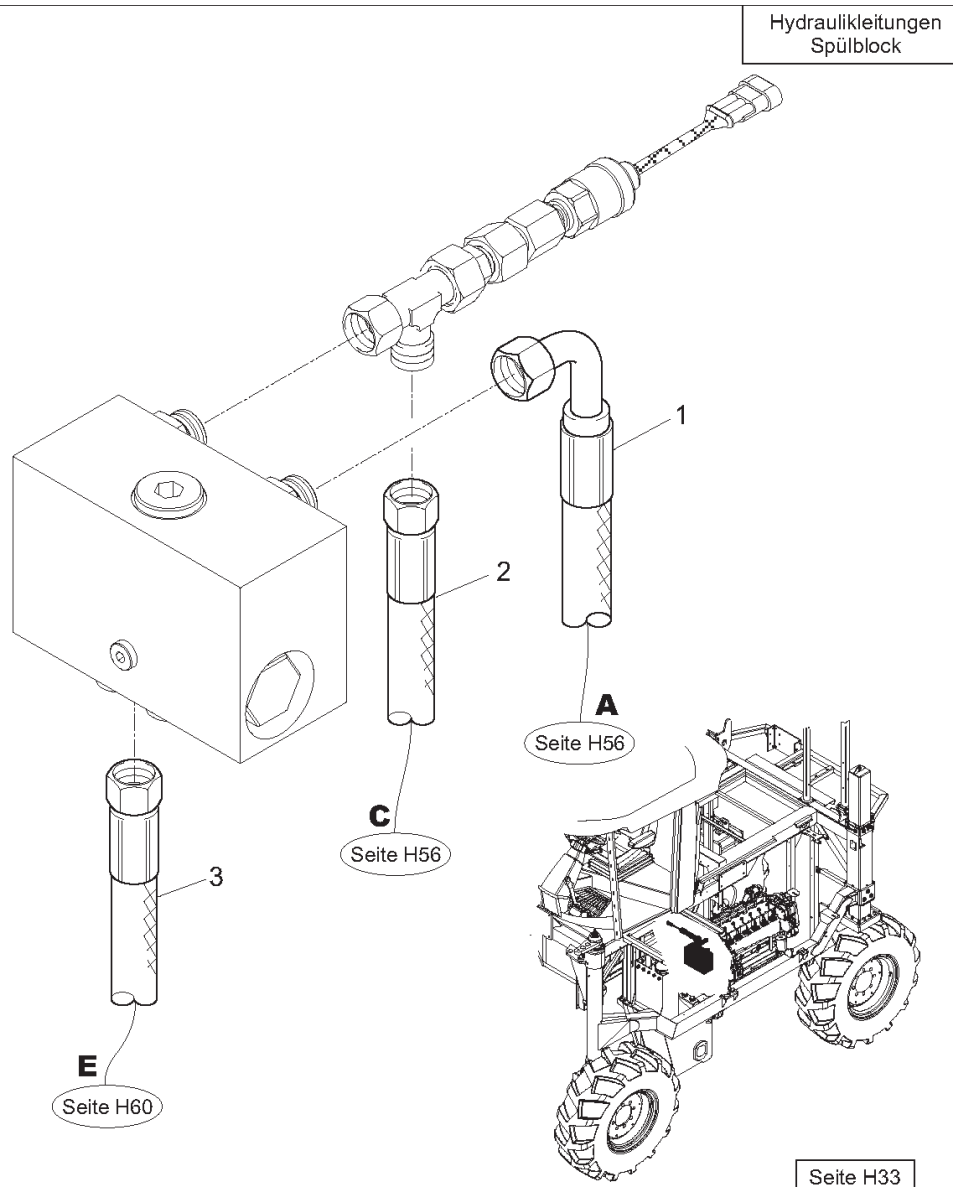
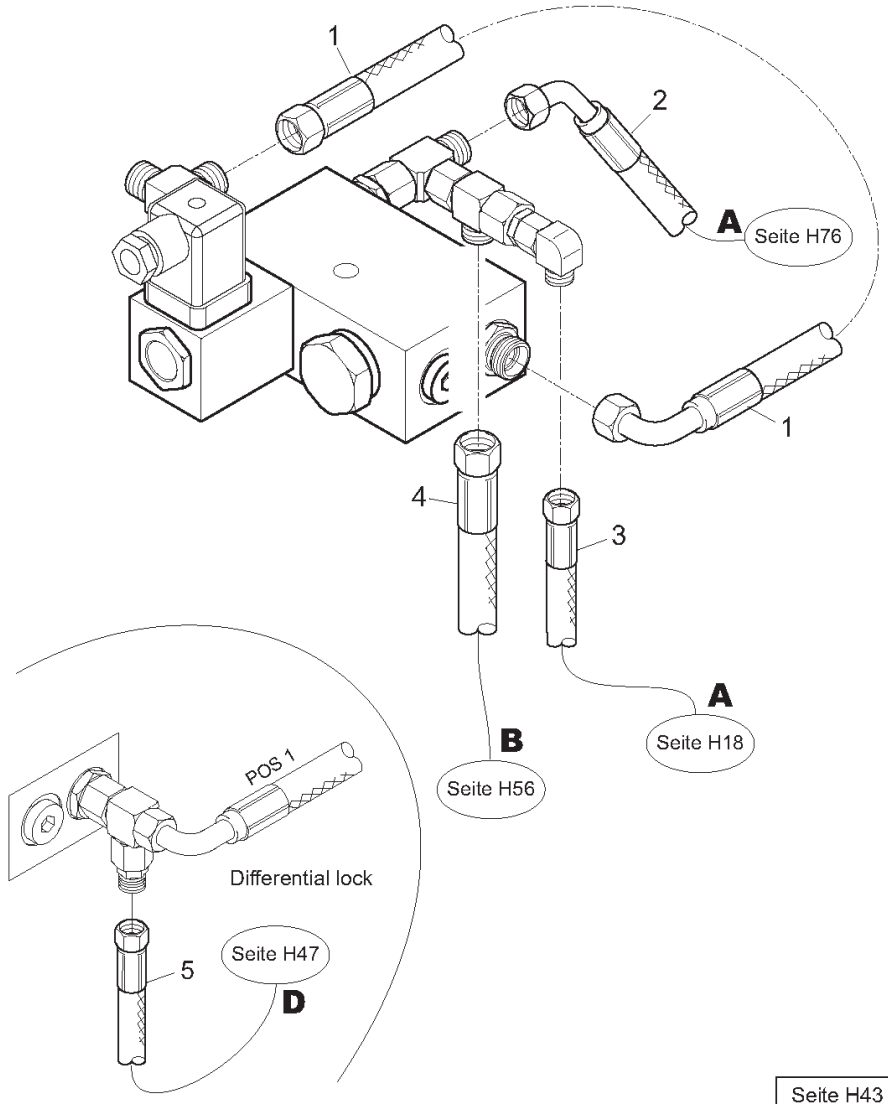


Fig.	Code	QTY	Name
1	0.902.0041.0	1	flexible hose 4SP 12 x 950
2	0.902.0041.1	1	flexible hose 4SP 12 x 1050
3	0.902.0033.5	1	flexible hose 1SN 20 x 620

Section: HYDRAULIC SYSTEM
MS-1946 "TWINLOCK" HOSES

Beypassventil
 Hydr. Schläuche

Fig.	Code	QTY	Name
1	0.902.0031.1	1	flexible hose 1SN 10 x 420
2	0.902.0039.5	1	flexible hose 1SN 10 x 1800
3	0.902.0034.1	1	flexible hose 1SN 6 x 3500
4	0.902.0031.3	1	flexible hose 1SN 10 x 720
5	0.902.0035.4	1	flexible hose 1SN 6 x 2790



Section: HYDRAULIC SYSTEM
STEERING TRANSMISSION PUMP

Fahrertriebspumpe

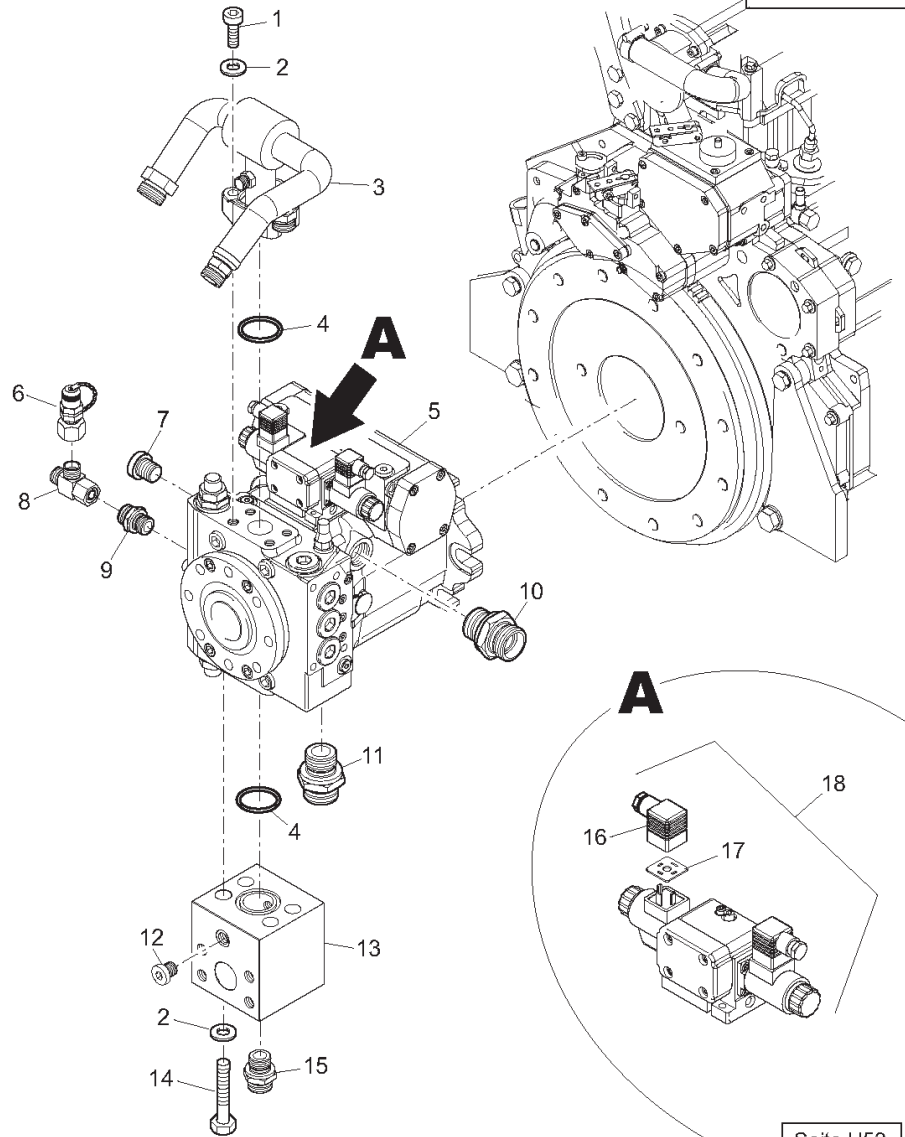


Fig.	Code	QTY	Name
1	0.902.0062.7	4	screw m 14 x 110
2	0.902.0187.6	8	washer m 10
3	0.902.0118.6	1	distributor
4	0.902.0018.9	2	ring 45,05 x 2,80
5	0.902.0014.8	1	hydraulic pump
6	0.902.0197.0	1	shaped part
7	0.902.0174.4	1	plug 12 x 66
8	0.902.0022.4	1	sleeve 12L
9	0.902.0190.5	1	shaped part m 22 x 1,5
10	0.902.0191.0	1	shaped part m 33 x 2
11	0.902.0191.8	1	shaped part m 48 x 2
12	0.902.0174.7	1	plug 1/4" WD
13	0.902.0082.0	1	small block
14	0.902.0063.2	4	screw m 14 x 120
15	0.902.0193.8	1	shaped part 16S/R 1/2" WD
16	0.902.0209.5	2	warning light
17	0.902.0131.5	2	gasket
18	0.902.0074.8	1	electro valve

Seite H52

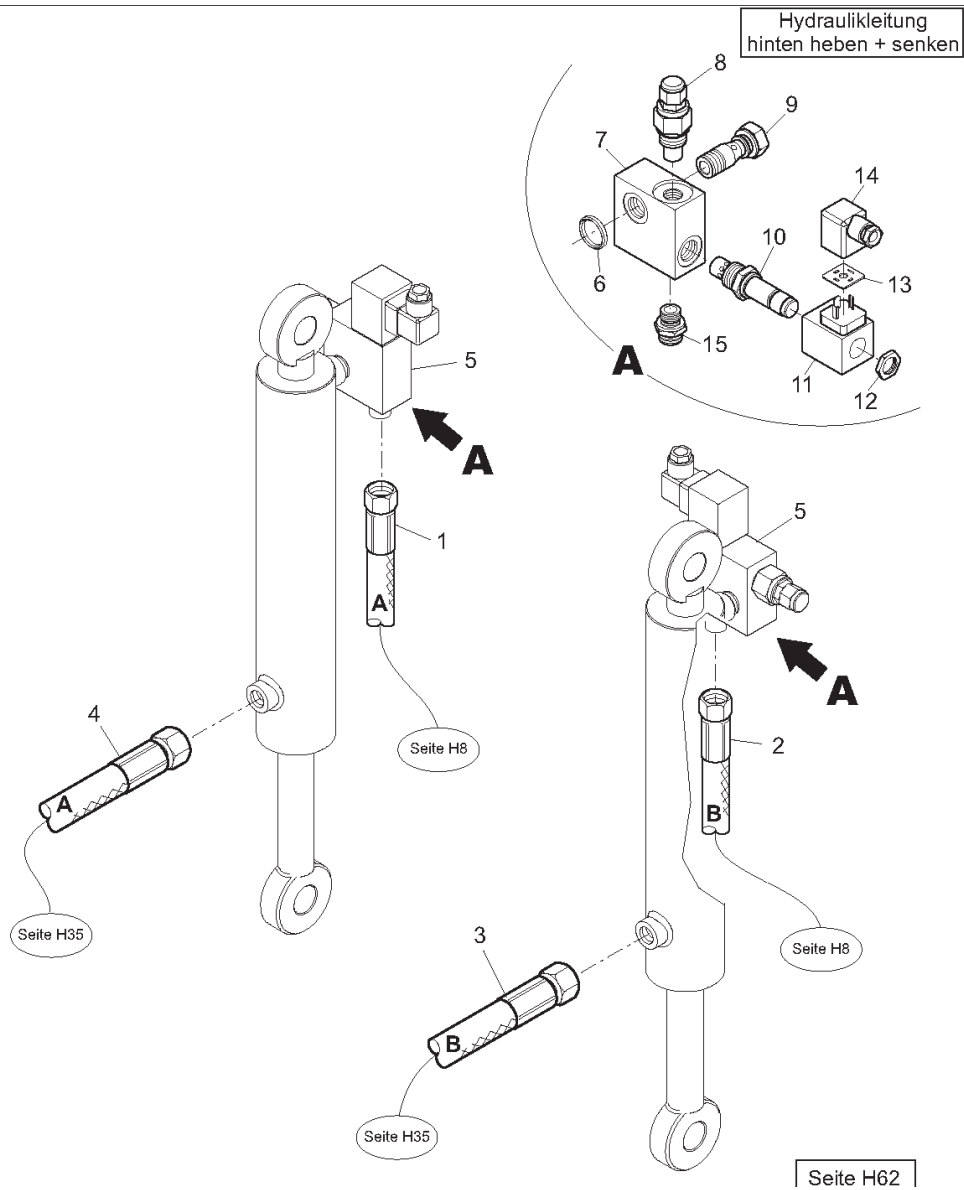


Fig.	Code	QTY	Name
1	0.902.0027.9	1	flexible hose 2SN 10 x 5300
2	0.902.0027.8	1	flexible hose 2SN 10 x 3950
3	0.902.0026.0	1	flexible hose 2SN 10 x 3440
4	0.902.0025.9	1	flexible hose 2SN 10 x 5750
5	0.902.0070.1	2	valve
6	0.902.0007.4	2	ring
7	0.902.0176.1	2	box
8	0.902.0089.6	2	hydr.oil filter elem
9	0.902.0046.2	2	screw
10	0.902.0070.8	2	valve 2/2
11	0.902.0152.1	2	magneto
12	0.902.0109.1	2	nut
13	0.902.0131.5	2	gasket
14	0.902.0209.5	2	warning light
15	0.902.0192.4	1	shaped part 12L/R 3/8" WD

PIPING

Hydraulikleitungen
Entrapper umschaltbar

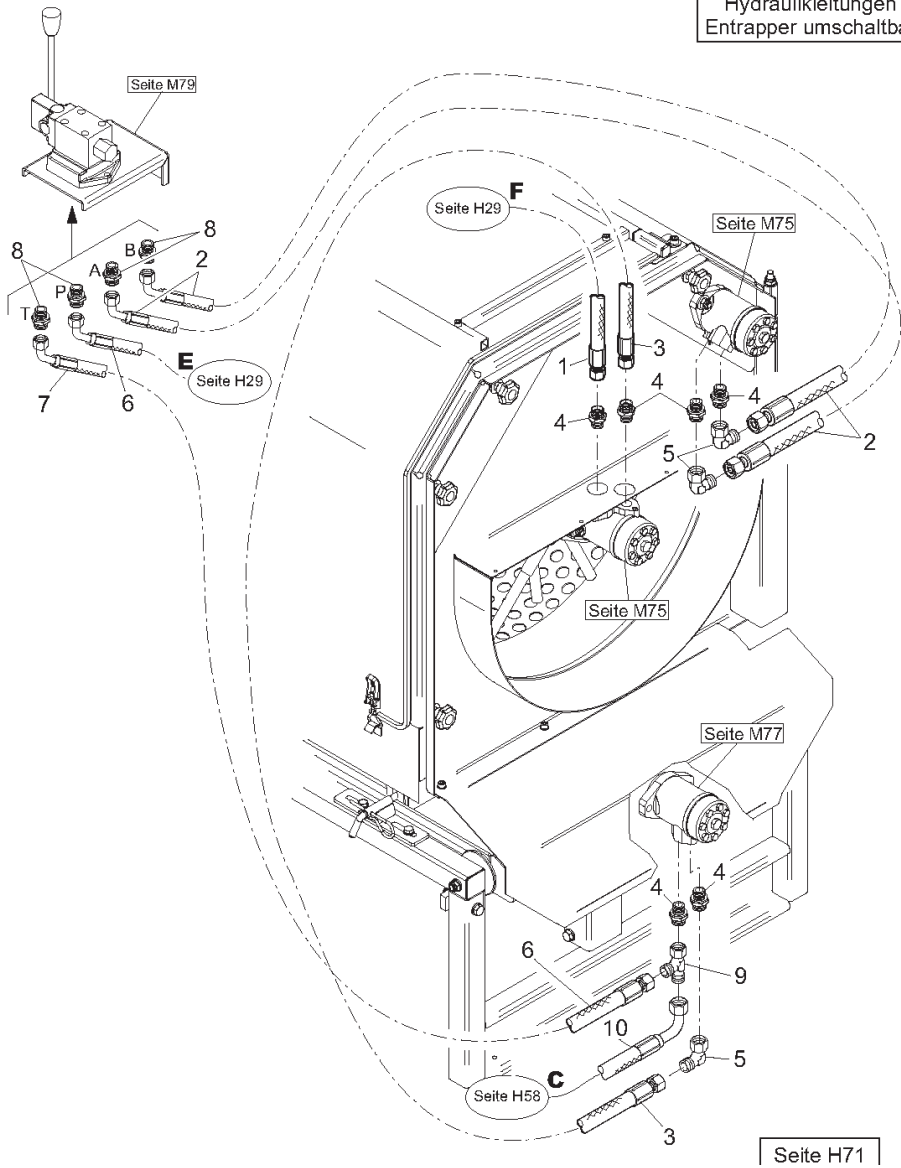


Fig.	Code	QTY	Name
1	0.902.0028.2	1	flexible hose 2SN 10 x 3430
2	0.902.0029.6	1	flexible hose 2SN 10 x 3480
3	0.902.0026.5	1	flexible hose 2SN 10 x 1820
4	0.902.0000.2	6	shaped part 12L/R 1/2" WD
5	0.902.0086.6	3	pipe fitting 12L
6	0.902.0026.7	1	flexible hose 2SN 10 x 2570
7	0.902.0029.7	1	flexible hose 2SN 12 x 6310
8	0.902.0192.4	4	shaped part 12L/R 3/8" WD
9	0.902.0022.4	1	sleeve 12L
10	0.902.0029.7	1	flexible hose 2SN 12 x 6310

Section: INTERIOR TRIM
COVER PANELS

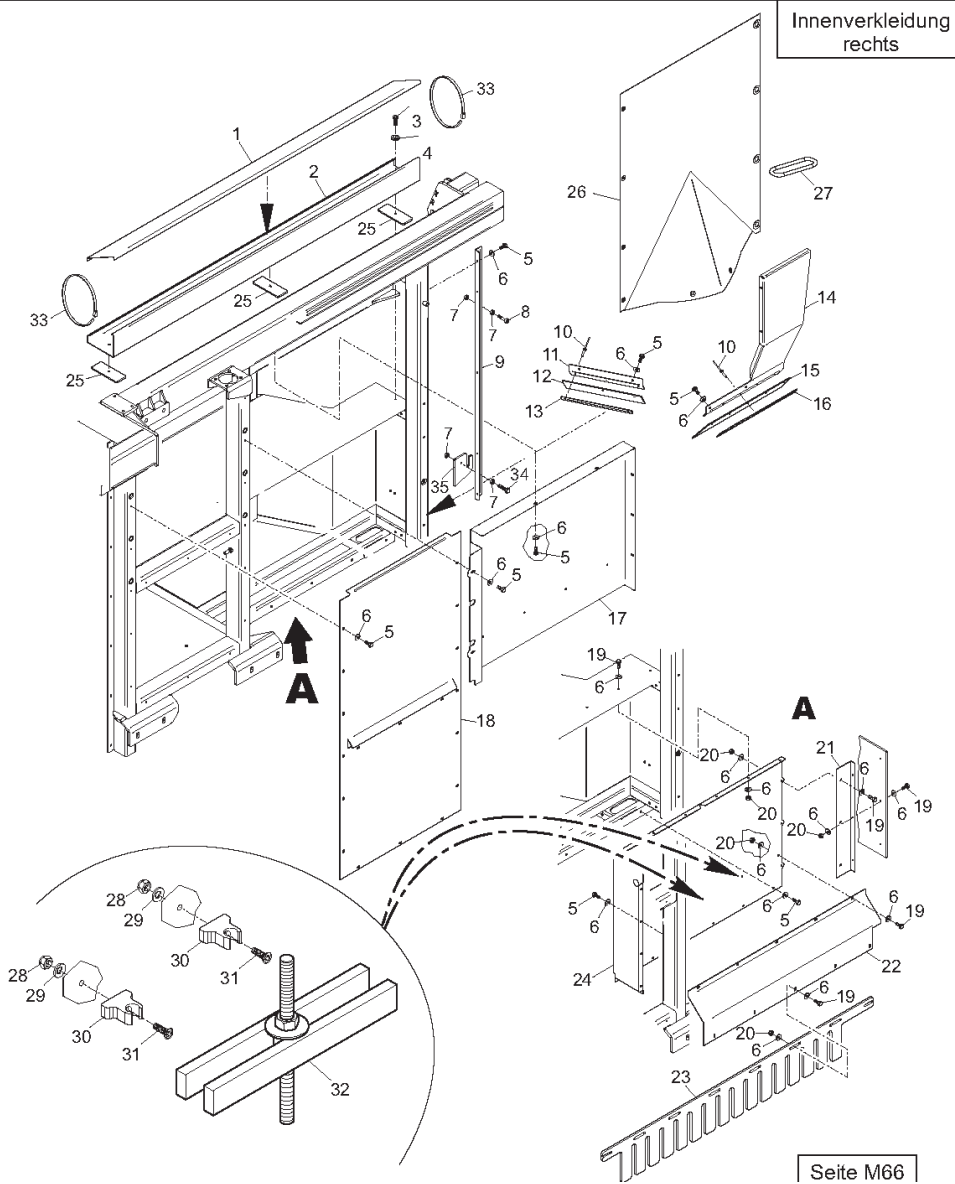


Fig.	Code	QTY	Name
1	0.902.0100.6	1	cover
2	0.902.0092.4	1	canal
3	0.902.0052.4	3	screw
4	0.902.0184.8	3	washer Ø 8
5	0.902.0047.5	42	screw m 6 x 16
6	0.902.0186.3	86	washer Ø 6
7	0.902.0110.8	8	nut m 6
8	0.902.0054.9	3	screw m 6 x 20
9	0.902.0143.7	1	lamination
10	0.902.0202.5	4	rivet 4 x 16
11	0.902.0214.7	1	lamination
12	0.902.0200.1	1	scraper
13	0.902.0226.7	1	strip press
14	0.902.0141.5	1	lamination
15	0.902.0200.0	1	scraper
16	0.902.0151.0	1	rail
17	0.902.0203.1	1	lining
18	0.902.0203.2	1	lining
19	0.902.0047.5	22	screw m 6 x 16
20	0.902.0109.5	22	nut m 6
21	0.902.0203.3	1	lining
22	0.902.0143.6	1	lamination
23	0.902.0221.8	1	bib
24	0.902.0203.4	1	lining
25	0.902.0162.8	3	support
26	0.902.0217.9	1	tarpaulin
27	0.902.0130.4	4	rubber
28	0.902.0111.6	4	nut m 5
29	0.902.0187.7	4	washer Ø 5
30	0.902.0124.3	4	clamp
31	0.902.0060.9	4	screw
32	0.902.0119.6	2	stud bolt
33	0.902.0154.5	6	clamp
34	0.902.0053.4	1	screw m 6 x 25
35	0.902.0131.2	1	clevis

Seite M66

Agrovitis 175

POST GUIDE

GENERAL

POST GUIDE (LH SIDE).....	7W.00.1093
POST GUIDE (RH SIDE).....	7W.00.1094
POST GUIDE SYSTEM.....	7W.00.1095

Section: RIDGED CHANNEL
RH RIDGED CHANNEL

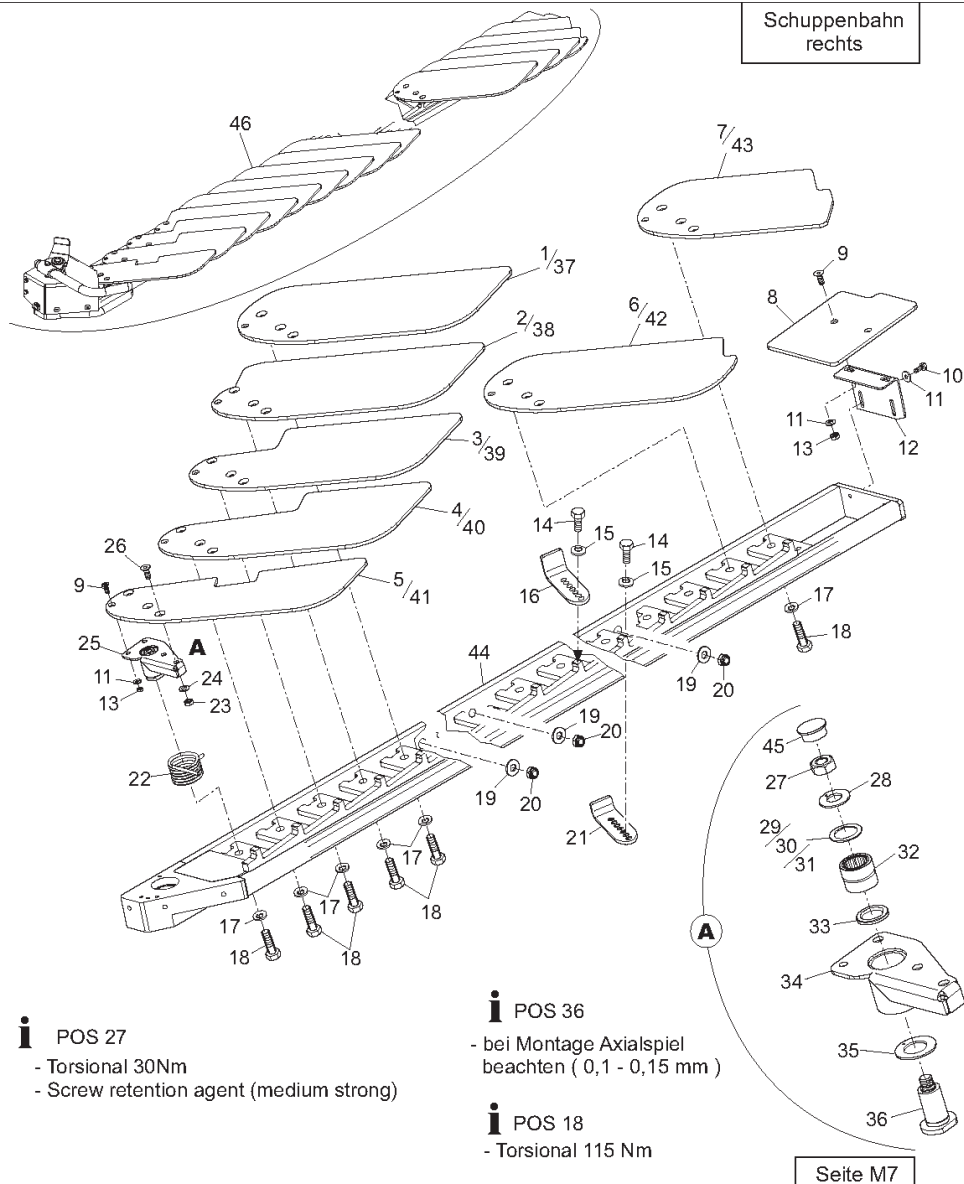


Fig.	Code	QTY	Name
1	0.902.0205.8	22	link dx 99
2	0.902.0205.7	1	link dx 99
3	0.902.0206.1	1	link dx 99,3
4	0.902.0206.0	1	link dx 99,2
5	0.902.0205.9	1	link dx 99,1
6	0.902.0206.2	1	link dx 99,27
7	0.902.0206.3	1	link dx 99,28
8	0.902.0206.4	1	link dx 99
9	0.902.0046.6	30	screw
10	0.902.0047.5	2	screw m 6 x 16
11	0.902.0185.4	32	washer m 6
12	0.902.0217.2	1	square
13	0.902.0109.5	30	nut m 6
14	0.902.0047.8	28	screw m 8 x 16
15	0.902.0001.1	28	washer Ø 8
16	0.902.0172.2	26	support
17	0.902.0115.6	28	disc 12 x 29
18	0.902.0047.6	28	screw m 12 x 1,5
19	0.902.0116.0	3	disc Ø 14
20	0.902.0110.9	3	nut m 14
21	0.902.0172.3	2	support
22	0.902.0020.9	28	spring mm 58
23	0.902.0110.2	84	nut m 8
24	0.902.0001.1	84	washer Ø 8
25	0.902.0172.7	28	support
26	0.902.0052.8	84	screw
27	0.902.0109.8	28	nut m 10
28	0.902.0210.3	28	shoulder
29	0.902.0148.0	0	panel PS 18 x 25 x 0,3
30	0.902.0147.8	0	panel PS 18 x 25 x 0,5
31	0.902.0147.9	0	panel PS 18 x 25 x 1,0
32	0.902.0107.7	28	bearing
33	0.902.0008.5	28	ring 17 x 25 x 3
34	0.902.0140.6	28	lamination
35	0.902.0210.2	28	shoulder
36	0.902.0017.2	28	pin
37	0.902.0206.9	22	link dx 5-26
38	0.902.0206.8	1	link dx 4
39	0.902.0206.7	1	link dx 3
40	0.902.0206.6	1	link dx 2
41	0.902.0206.5	1	link dx 1
42	0.902.0207.0	1	link dx 27
43	0.902.0207.1	1	link dx 28
44	0.902.0229.8	1	carrier

Agrovitis 175

TANKS

GENERAL

FUEL TANK.....	7M.00.1059
OIL RESERVOIR.....	7M.00.1060

Agrovitis 175

WHEELS

GENERAL

REAR SUPPORT.....	7E.00.1011
LIFTING CYLINDERS.....	7E.00.1012
SUPPORTS AND CHOCK.....	7E.00.1013
FRONT SUPPORT.....	7E.00.1014
FRONT WHEELS.....	7E.00.1015
FRONT WHEELS.....	7E.00.1016
REAR WHEELS.....	7E.00.1017

CLICK HERE TO **DOWNLOAD** THE COMPLETE MANUAL

- Thank you very much for reading the preview of the manual.
- You can download the complete manual from: www.heydownloads.com by clicking the link below



- Please note: If there is no response to CLICKING the link, please download this PDF first and then click on it.

CLICK HERE TO **DOWNLOAD** THE COMPLETE MANUAL