

Agrotron TTV-1160 -> 8062

ACCESSORIES

GENERAL

4-WAY AUXILIARY DISTRIBUTOR.....	0E.00.1
4-WAY AUXILIARY DISTRIBUTOR.....	0E.00.2
4-WAY QUICK COUPLERS.....	0E.00.3
8-WAY AUXILIARY DISTRIBUTOR.....	0E.00.4
8-WAY AUXILIARY DISTRIBUTOR.....	0E.00.5
8-WAY QUICK COUPLERS.....	0E.00.6
8-WAY QUICK COUPLERS.....	0E.00.7
CONTROL VALVE SUPPORT AND BRACKETS.....	0E.00.8
STANDARD ASSEMBLY FOR "POWER BEYOND".....	0E.00.9
"POWER BEYOND" BLANKING PLUGS.....	0E.00.10
PUSH-PULL QUICK COUPLERS FOR "POWER BEYOND".....	0E.00.11
4 WAY SPOOL VALVES CONTROL.....	0E.00.12
3 POINT HITCH.....	0E.00.13
MANUAL LATERAL STABILIZERS.....	0E.00.14
SEMI-AUTOMATIC LATERAL STABILIZERS.....	0E.00.15
AUTOMATIC LATERAL STABILIZERS.....	0E.00.16
TOWING BAR.....	0E.00.17
TOWING FRAME - WITHOUT PITON-FIX.....	0E.00.18
TOWING FRAME - WITH PITON-FIX.....	0E.00.19
TOWING HITCH + PICK-UP HITCH.....	0E.00.20
TOWING COUPLING, AUTOM. MM 37.....	0E.00.21
TOWING COUPLING, AUTOM. MM 37.....	0E.00.22
AUTOMATIC DRAWBAR COUPLING mm 30.8.....	0E.00.23
SWINGING DRAWBAR WITH PITON-FIX.....	0E.00.24
SWINGING DRAWBAR WITHOUT PITON-FIX.....	0E.00.25
REMOTE CONTROL FOR AUTOMATIC REAR TOWING HITCH.....	0E.00.26
FRONT TOWING HITCH.....	0E.00.27
CATCHING MOUTH.....	0E.00.28
FRONT BALLAST Kg 80.....	0E.00.29
FRONT BALLAST Kg 160.....	0E.00.30
FRONT BALLAST 240 Kg.....	0E.00.31
FRONT BALLAST 320 Kg.....	0E.00.32
FRONT BALLAST 400 Kg.....	0E.00.33
FRONT BALLAST kg 100.....	0E.00.34
FRONT BALLAST 330 Kg.....	0E.00.35
FRONT BALLAST 330 Kg.....	0E.00.36
FRONT BALLAST 1000 Kg.....	0E.00.37
HYDRAULIC BREAKING FOR TRAILER - EXPORT F.....	0E.00.38
HYDRAULIC BREAKING FOR TRAILER - EXPORT F.....	0E.00.39
HYDRAULIC BREAKING FOR TRAILER - ITALY -.....	0E.00.40

CLICK HERE TO **DOWNLOAD** THE COMPLETE MANUAL

- Thank you very much for reading the preview of the manual.
- You can download the complete manual from: www.heydownloads.com by clicking the link below

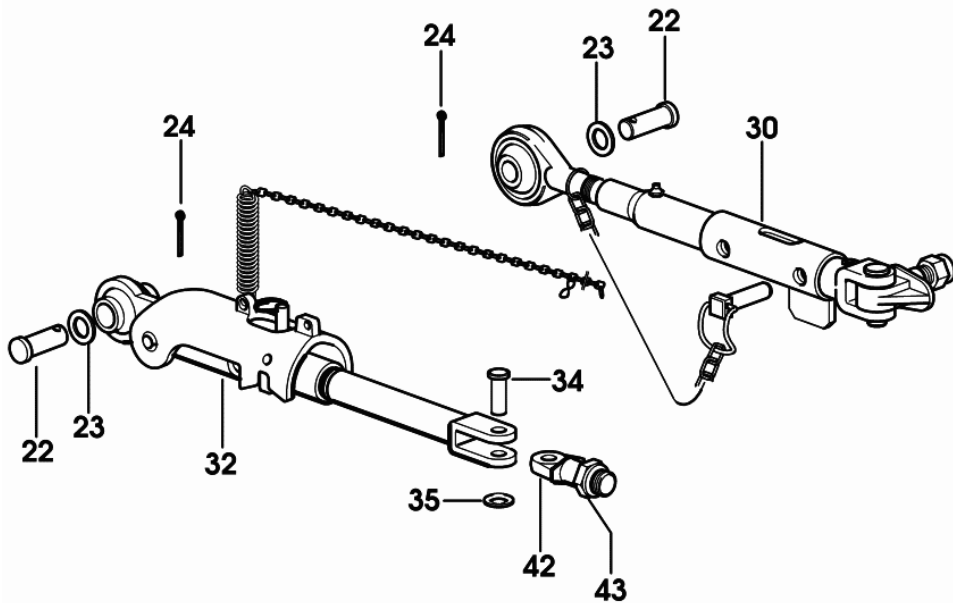


- Please note: If there is no response to CLICKING the link, please download this PDF first and then click on it.

CLICK HERE TO **DOWNLOAD** THE COMPLETE MANUAL

SEMI-AUTOMATIC LATERAL STABILIZERS

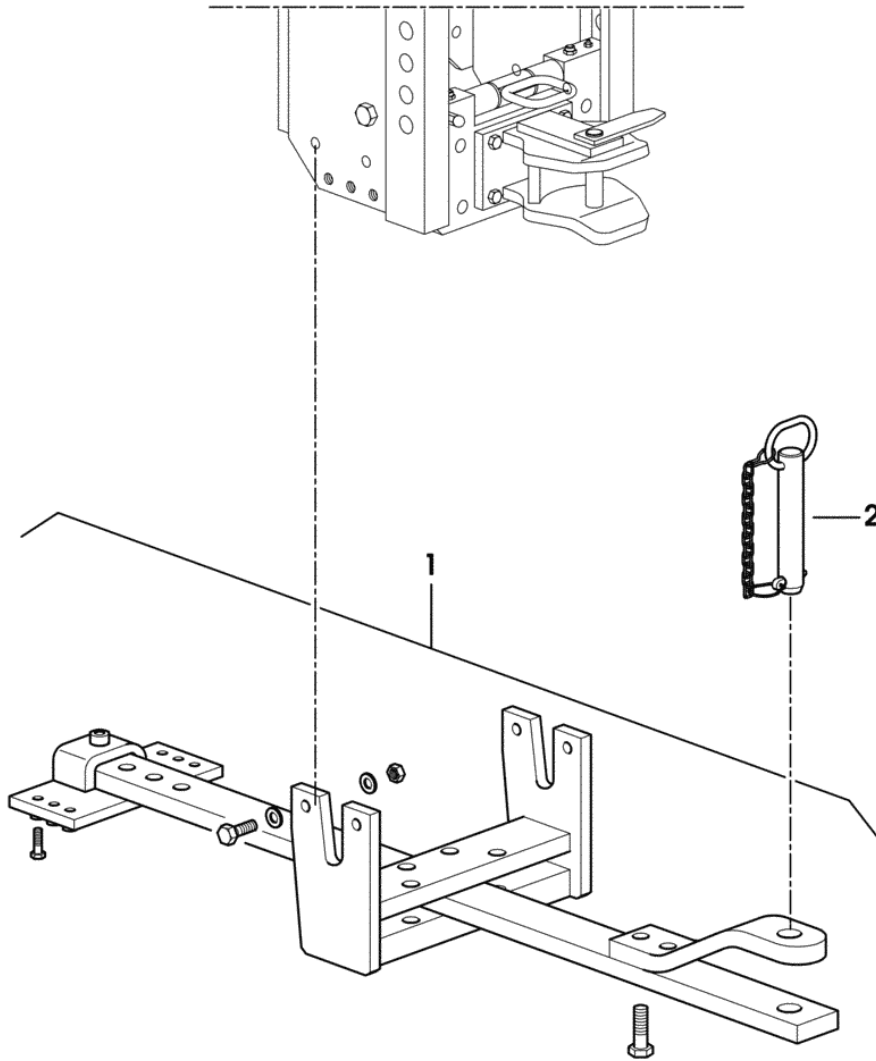
Fig.	Code	QTY	Name
22	04424807	2	piston pin
23	01137191	2	washer
24	01132649	2	split pin 6.3
30	0.010.5222.4/30	1	stabiliser
			COMPONENT PARTS SEE COMPONENTS LIST
			☞ 0.010.5222.4/30
			☞ 0E.00.47
32	0.012.9801.4	1	stabiliser
34	04414932	1	pin
35	01143888	1	ring
42	04435435	1	screw 3-PK
43	04436455	1	nut



9_94658_01_0_0

SWINGING DRAWBAR WITHOUT PITON-FIX

Fig.	Code	QTY	Name
1	04435558.4	1	draw bar COMPONENT PARTS SEE COMPONENTS LIST ☞ 04435558.4 ☞ 0E.00.56
2	04418424.4	1	pin Ø 32 mm

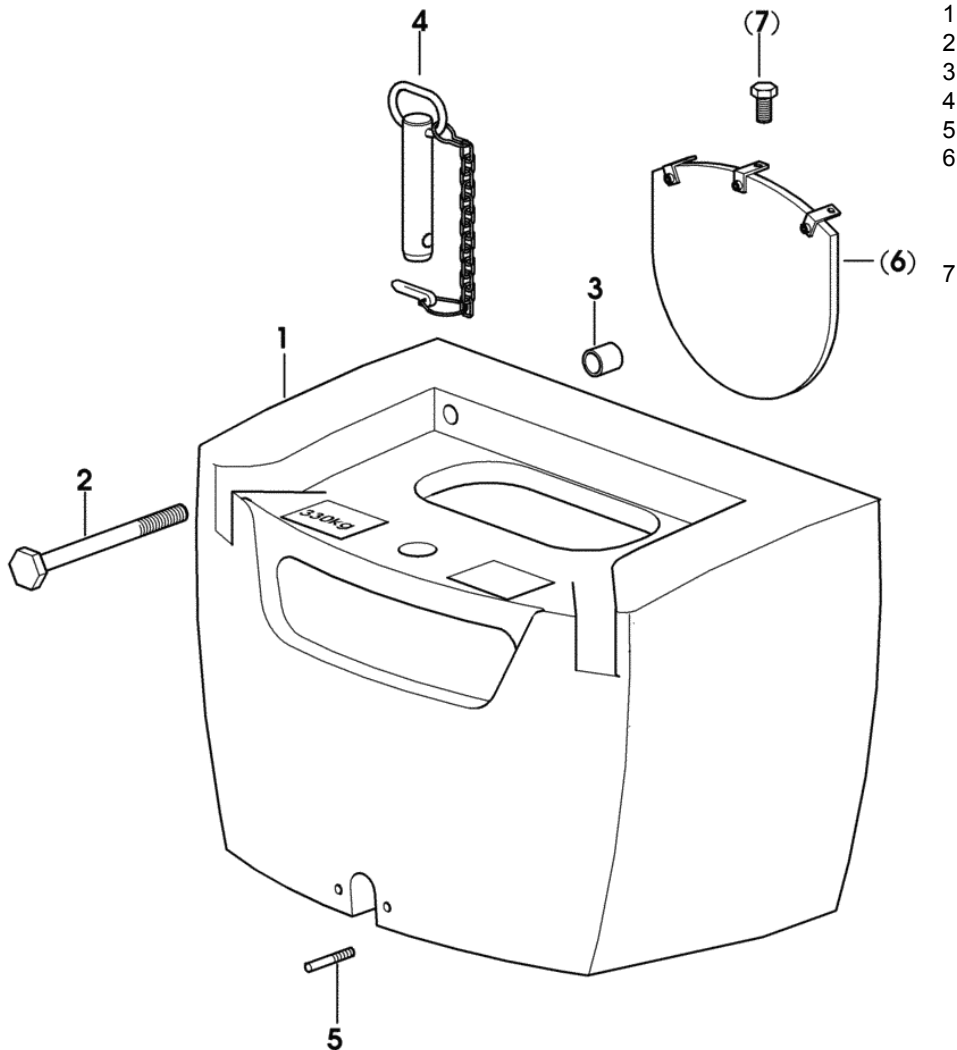


9_94631_68_0_0

Section: ACCESSORIES

FRONT BALLAST 330 Kg

Fig.	Code	QTY	Name
1	04432782/20	1	ballast 330 Kg
2	01144479	4	screw m 16 x 120
3	04388695	2	bushing 17x22x23
4	04414118.4	1	pin
5	01123863	1	grain 8 x 60
6	04419917.4	1	plate
(...)			- X Agrotron TTV-1130
(...)			- X Agrotron TTV-1145
(...)			- X Agrotron TTV-1160
7	04417408	1	screw 4.2x13
(...)			- X Agrotron TTV-1130
(...)			- X Agrotron TTV-1145
(...)			- X Agrotron TTV-1160



Section: ACCESSORIES
AIR BRAKING - ITALY -

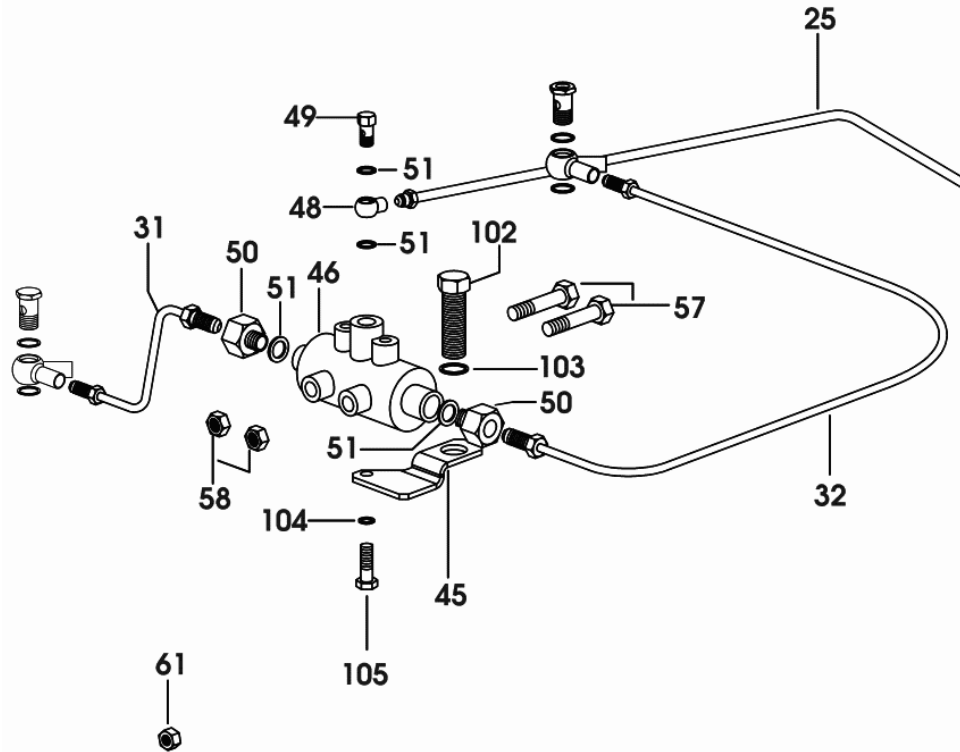
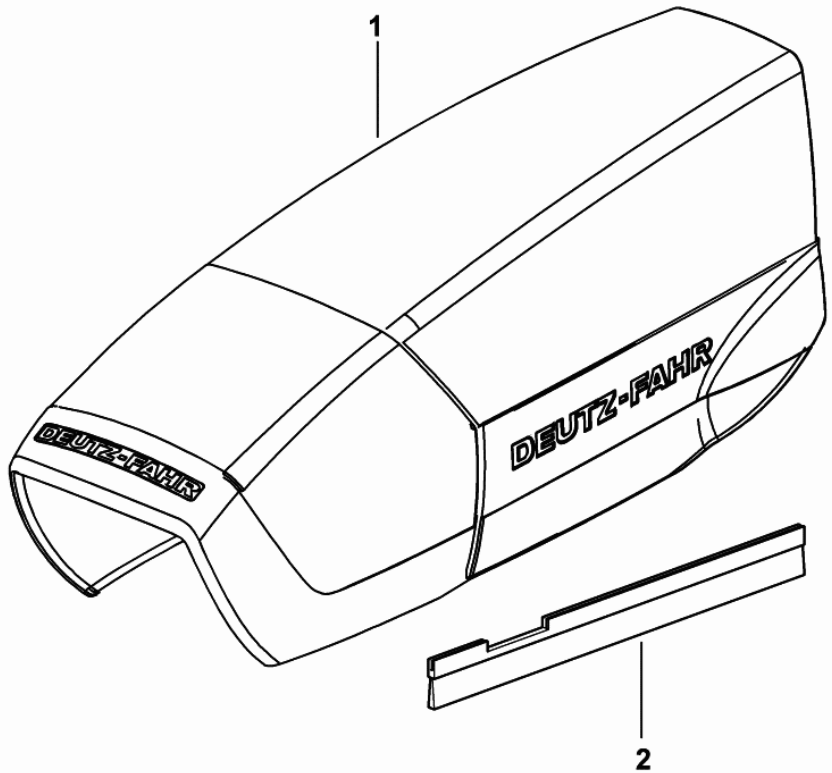


Fig.	Code	QTY	Name
25	04438379	1	tube
31	0.011.9854.3	1	tube
32	0.011.9851.3	1	tube
45	0.011.9903.0	1	bracket
46	04419583	1	valve
48	03410829	1	pipe fitting
49	02318392	1	pipe union
50	03420517	2	pipe union m 12 p.1/ m 14 p.1.5
51	01118693	6	gasket 14x20
57	01112364	6	screw m 8 x 55, d933
58	01112824	6	nut m 8, d934
61	01112874	2	stop m14 d934
102	2.0112.813.2	1	screw m 20x35
103	2.1470.011.2	1	washer 20
104	2.1470.004.2	1	washer 8
105	01112299	1	screw m 8 x 12, d933

9_94689_20_0_B

Section: BODY WORK
HOOD

Fig.	Code	QTY	Name
1	0.012.6124.4	1	cap
2	04451141	1	brush



9_94672_00_0_A

Section: BODY WORK

MECHANICAL CAB SUSPENSION

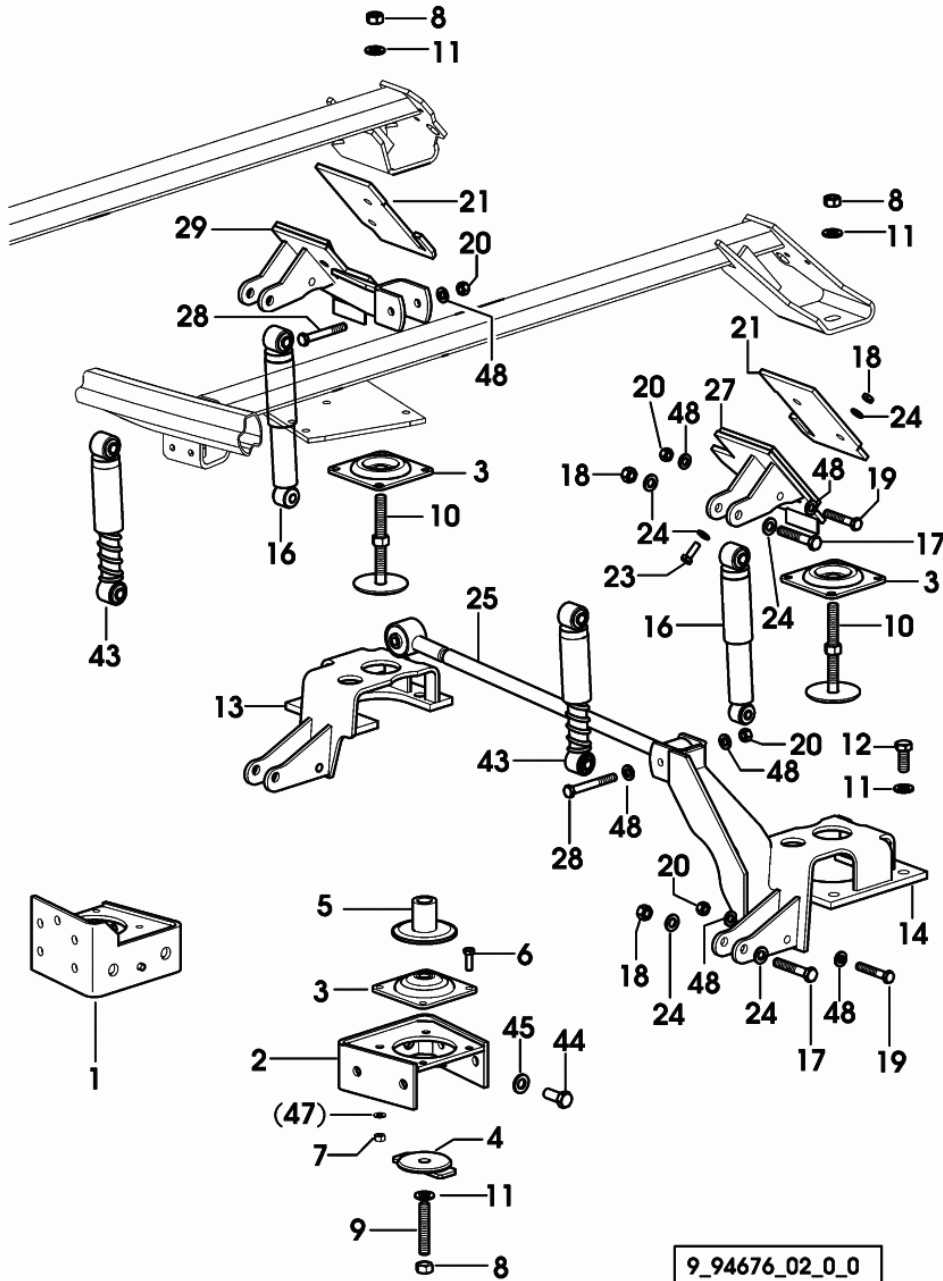


Fig.	Code	QTY	Name
			-> 1077 X Agrotron TTV 1130
			-> 1125 X Agrotron TTV 1145
			-> 1179 X Agrotron TTV 1160
21	04434323	2	plate
23	2.0112.519.2	4	screw m 14 p.2x50
24	2.1310.009.2	16	flat washer 14
25	0.011.9412.4	1	rod L = mm 663.5
27	04434327.4/20	1	support sx/lh/li
28	2.0113.427.2	2	screw
29	0.011.9280.4/20	1	support
43	04426628	2	spring
44	2.0113.819.2	4	screw m 20 p.2.5x50
45	01167055	4	washer 20.5x40
48	2.1310.007.2	12	flat washer 13.5

Section: BODY WORK
REAR MUDGUARDS

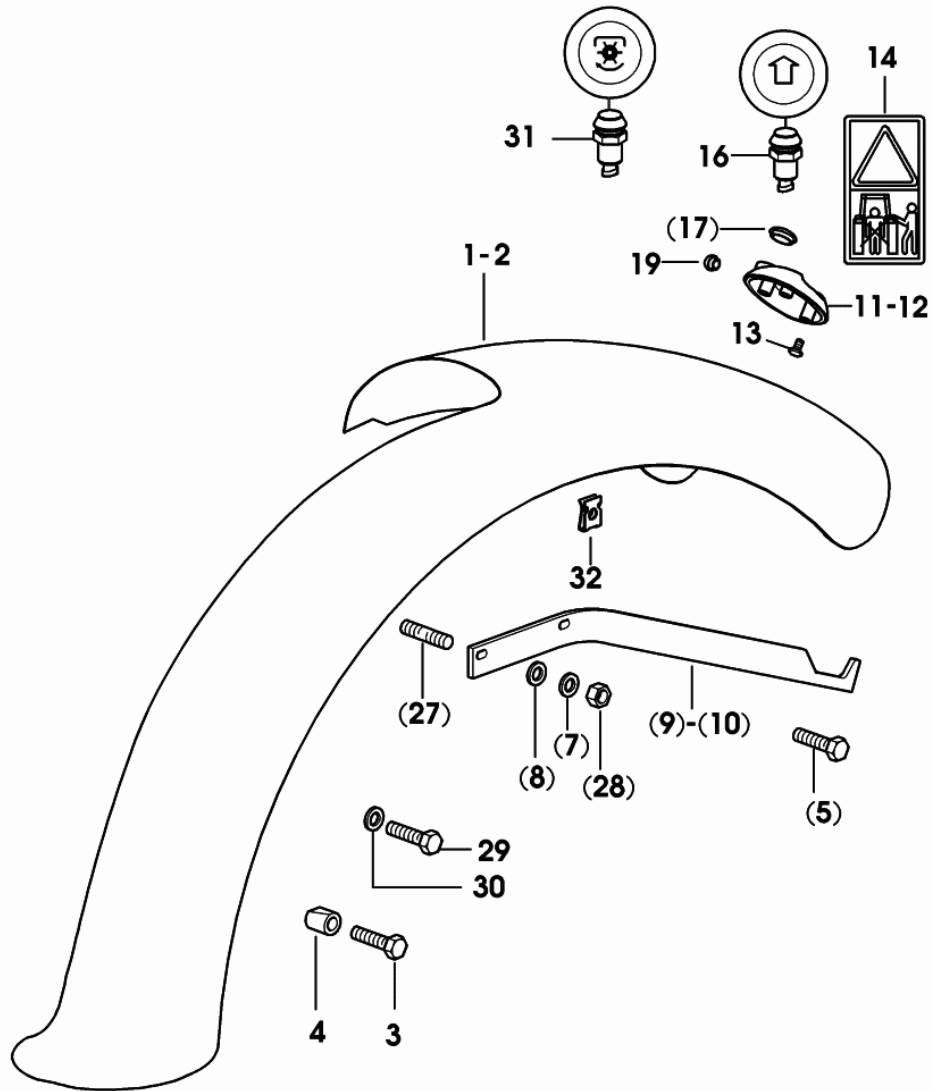
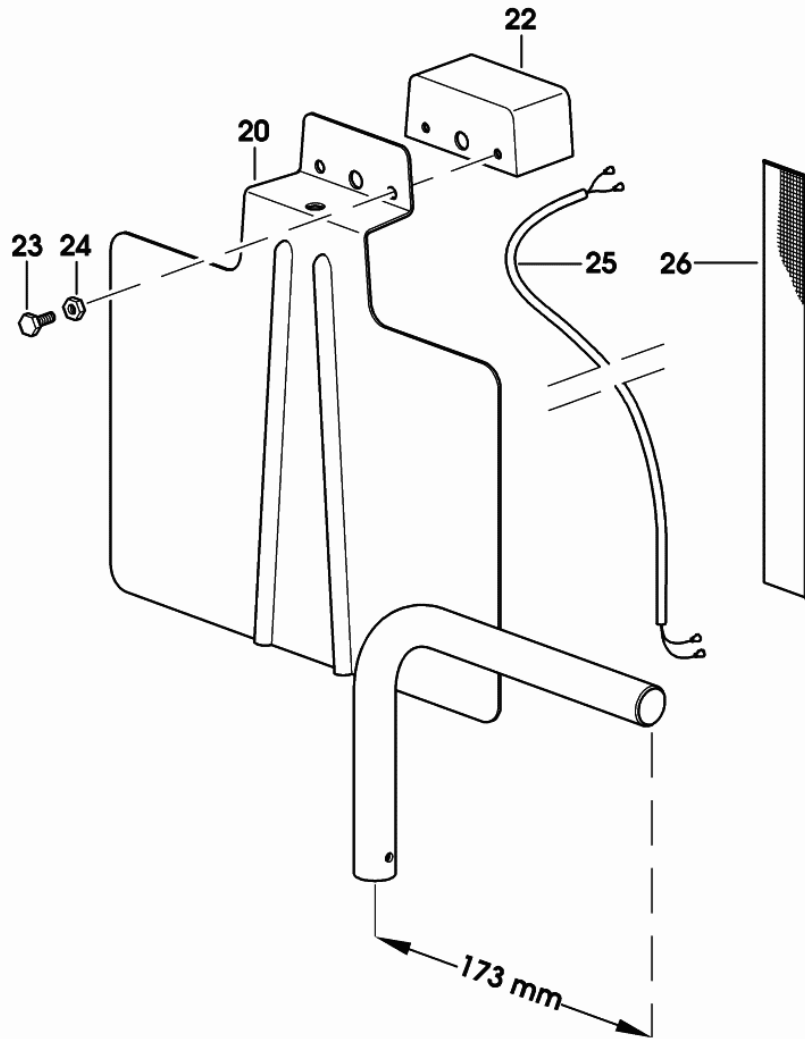


Fig.	Code	QTY	Name
1	04425745	1	fender dx/rh/re
2	04425746	1	fender sx/lh/li
3	04423526	2	screw m 8 x 40
4	04415539	2	bushing
11	04412686	1	half box dx/rh/re
12	04412685	1	half box sx/lh/li
13	04414188	6	screw
14	04416339	1	plate
16	04412688	4	switch
19	04413366	1	plug 20.6
29	04426352	6	screw m 8 p.1.25 x 20
30	01107101	6	washer 8.4
31	04411533	1	switch
32	04413338	12	stop

9_95376_20_0_0

Section: BODY WORK
LICENCE PLATE HOLDER

Fig.	Code	QTY	Name
20	04414628.4	1	plate holder
22	04414115	1	side lamp
23	01127017	2	screw m 4.0 x 12
24	01112796	2	stop m4 d934
25	04414114	1	electrical system
26	04422723	0	band



9_95376_60_0_0

Section: BODY WORK

PASSENGER SEAT WITH PROTECTIONS

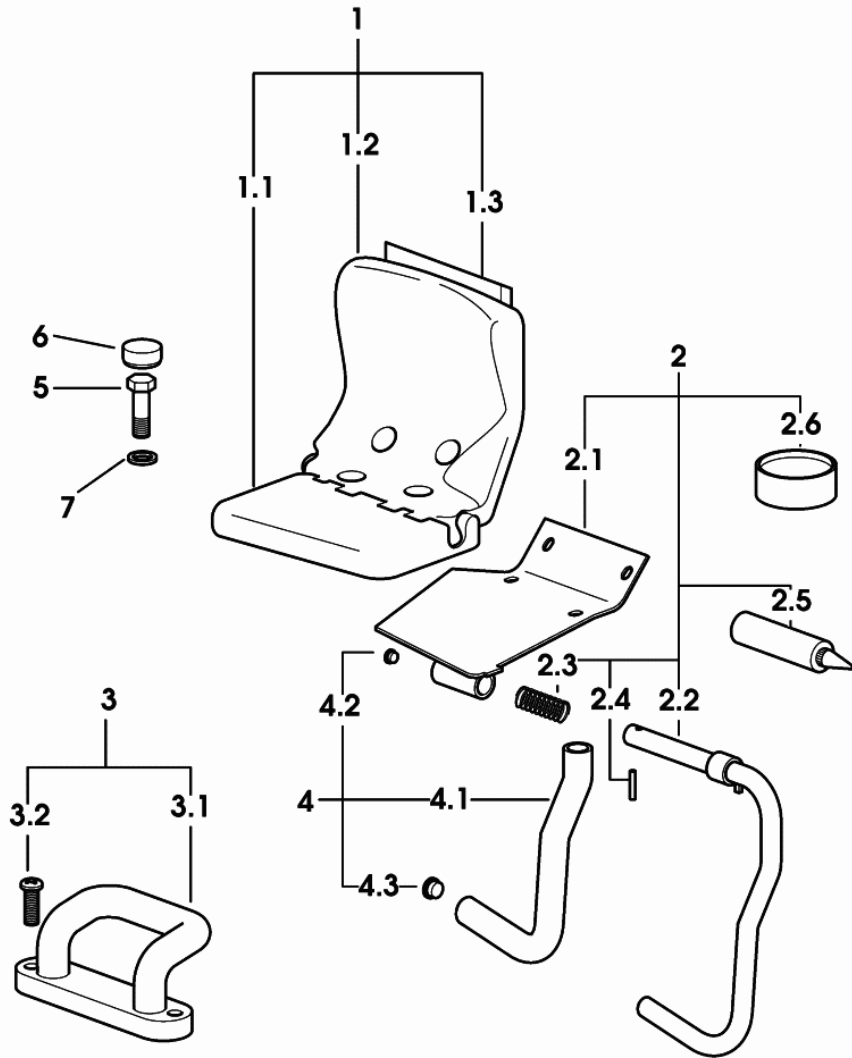
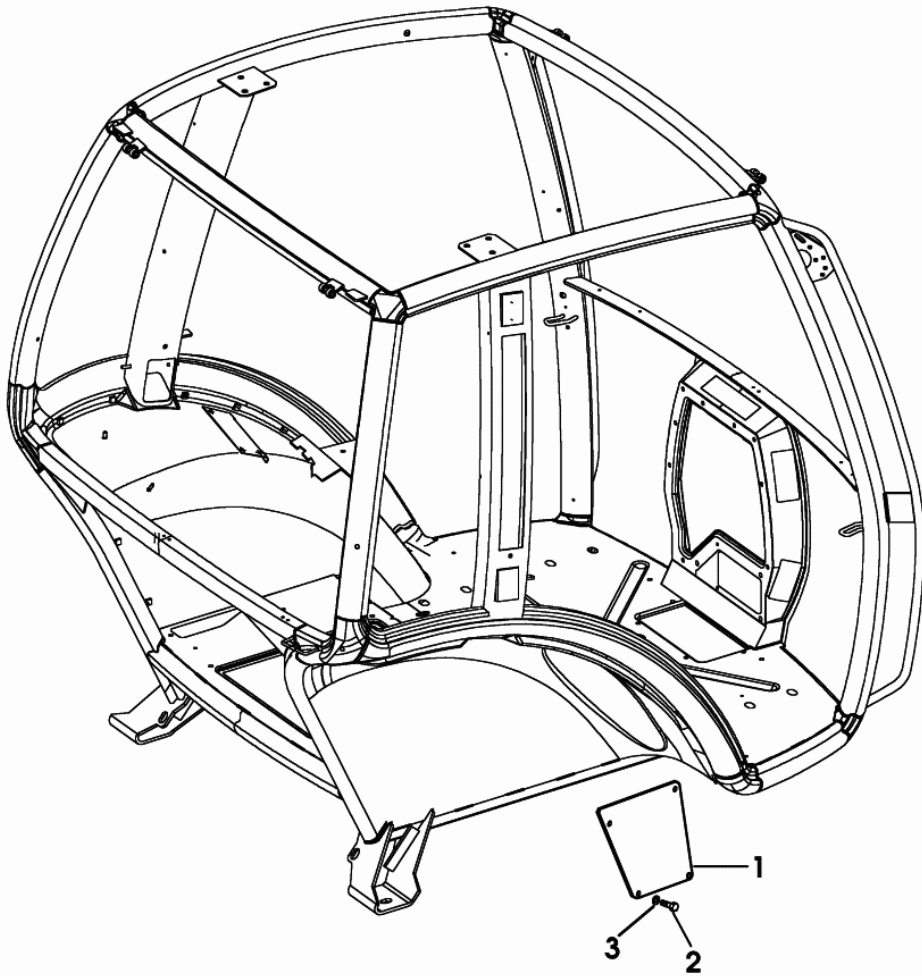


Fig.	Code	QTY	Name
1	04429765.4	1	passenger seat
1.1	04418147	1	seat
1.2	04418148	1	backrest
1.3	04429768	1	glove pocket
2	04429764.4	1	support
2.1	04429763.4	1	support
2.2	04425627.4	1	bracket
2.3	04425750	1	spring
2.4	01115455	1	pin
2.5	04426344	1	fuel
2.6	01007930	0	oil
3	04422400.4	1	handle
3.1	04419922	1	handle
3.2	04415861	2	screw
4	04423676.4	1	guard
4.1	04425747	1	flexible hose
4.2	04425748	1	cap
4.3	01167316	1	plug A 14.7
5	01110591	4	screw m 8 x 40
6	04418895	4	plug
7	01107101	4	washer 8.4

9_95078_07_0_0

Section: CAB
END PLATE

Fig.	Code	QTY	Name
1	04429853	1	plate
2	01103316	4	screw m 6 p.1.0 x 16
3	01151664	4	washer 6.4

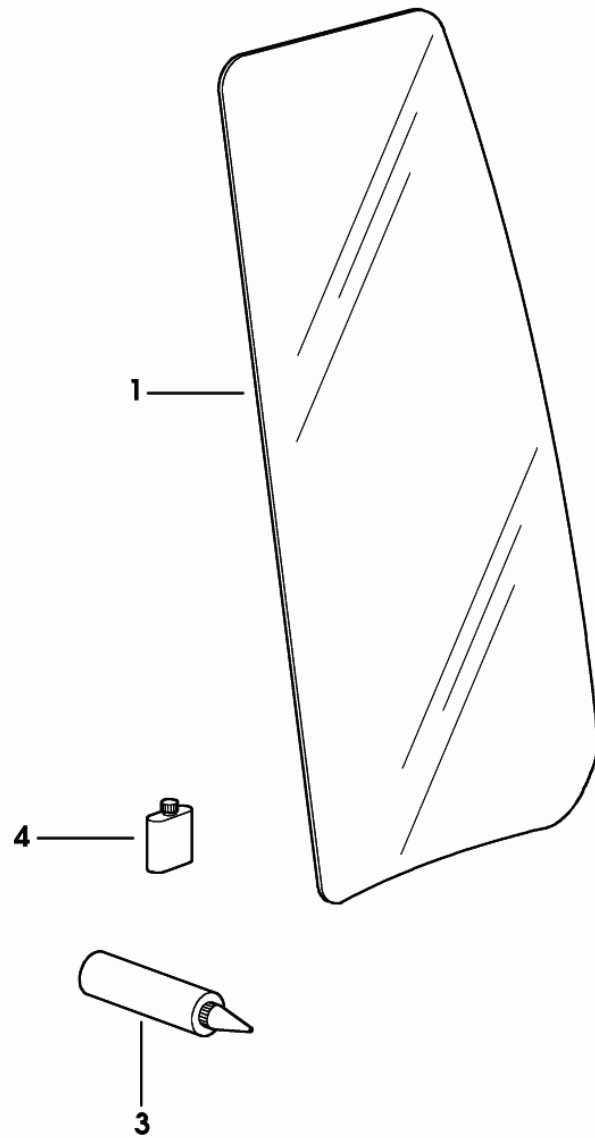


9_95071_29_0_0

Section: CAB

SIDE PANEL FIXED sx/lh/li

Fig.	Code	QTY	Name
1	04424512	1	glass sx/lh/li
3	04414226	0	sealing compound HENKEL 211-342
4	04414225	0	genuine lubricants HENKEL 148785

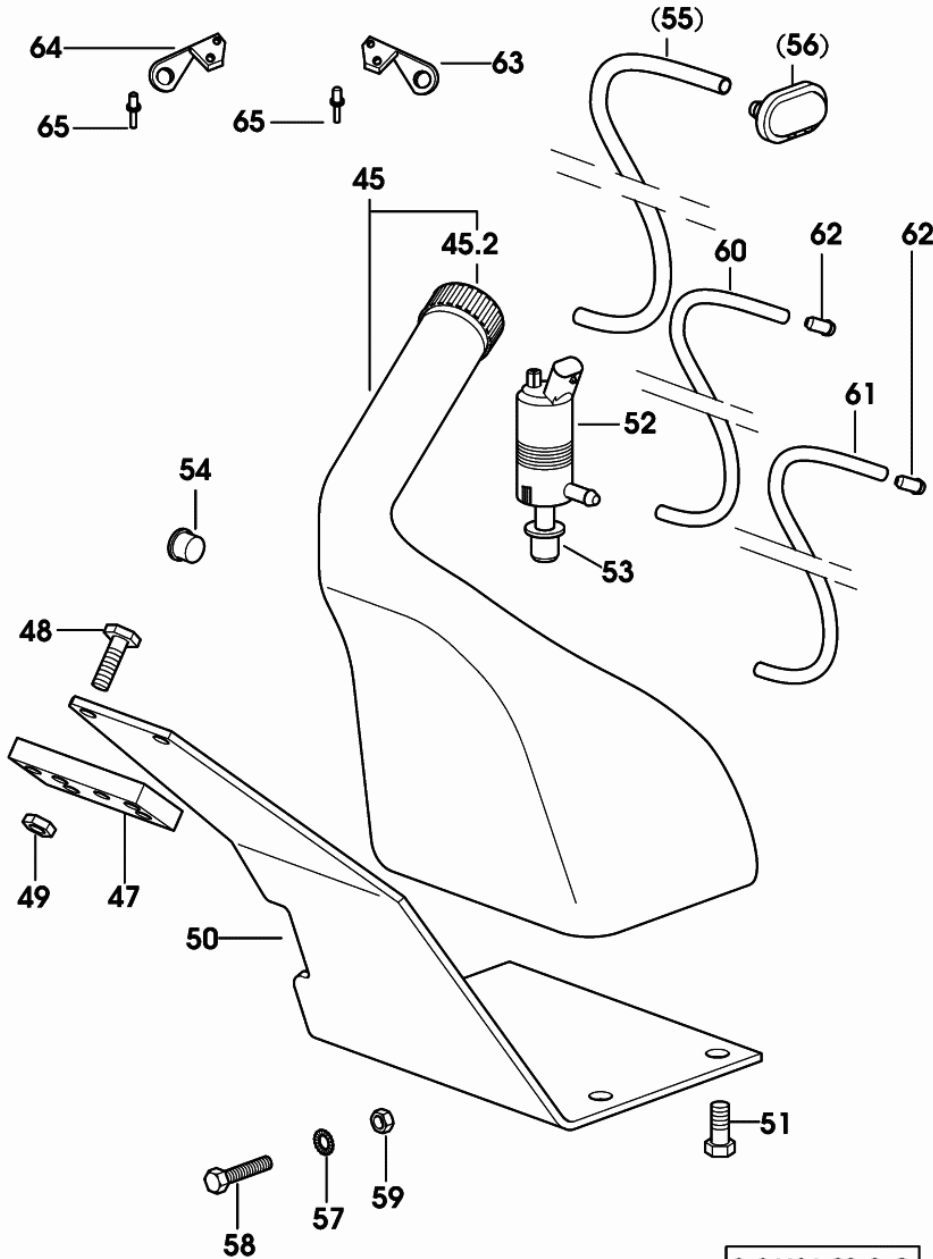


9_95071_16_0_0

Section: CAB

WATER TANK

Fig.	Code	QTY	Name
45	04414585.4	1	tank
45.2	04414770	1	plug
47	04426734	1	small block
48	01112322	2	screw m 8 p.1.25 x 20
49	01112824	2	nut m 8, d934
50	04413240	1	tank support
51	01144691	3	screw m 8 x 12
52	04414105	1	electropump
53	04414582	1	cap
54	01167308	1	plug 7.2x5.2x9
55	01396853	0	flexible hose 1028 <- X Agrotron TTV-1130 1028 <- X Agrotron TTV-1145 1079 <- X Agrotron TTV-1160
56	01261734	1	nozzle 1028 <- X Agrotron TTV-1130 1028 <- X Agrotron TTV-1145 1079 <- X Agrotron TTV-1160
57	01124654	5	washer 6,4 d433
58	01112264	5	screw m 6 x 20, d933
59	01112813	3	nut m 6
60	0.011.3964.0	1	tube -> 1029 X Agrotron TTV 1130 -> 1029 X Agrotron TTV 1145 -> 1080 X Agrotron TTV 1160
61	0.011.3963.0	0	tube -> 1029 X Agrotron TTV 1130 -> 1029 X Agrotron TTV 1145 -> 1080 X Agrotron TTV 1160
62	0.9231.556.4	2	cooling nozze -> 1029 X Agrotron TTV 1130 -> 1029 X Agrotron TTV 1145 -> 1080 X Agrotron TTV 1160
63	0.010.9972.0/10	1	bracket -> 1029 X Agrotron TTV 1130 -> 1029 X Agrotron TTV 1145 -> 1080 X Agrotron TTV 1160
64	0.010.9973.0/10	1	bracket -> 1029 X Agrotron TTV 1130 -> 1029 X Agrotron TTV 1145 -> 1080 X Agrotron TTV 1160
65	2.1851.004.0	4	rivet 4.8 -> 1029 X Agrotron TTV 1130 -> 1029 X Agrotron TTV 1145

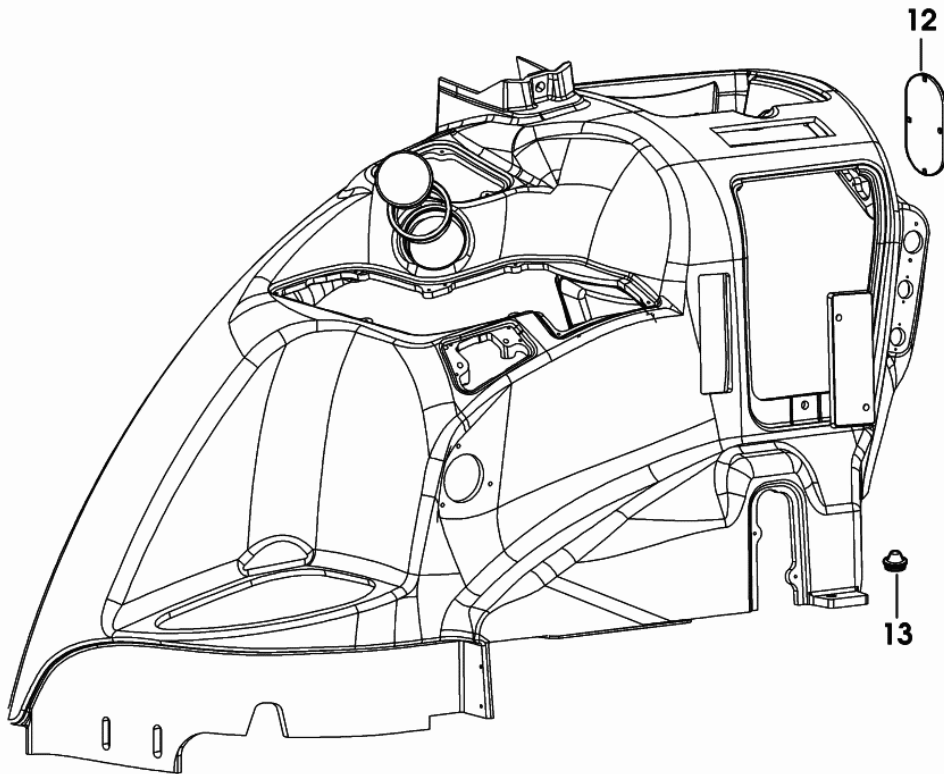


9_94684_00_0_C

Section: CAB

CONTROL CONSOLE RIGHT

Fig.	Code	QTY	Name
12	04429609	1	cover
13	04424188	1	rubber ring 16

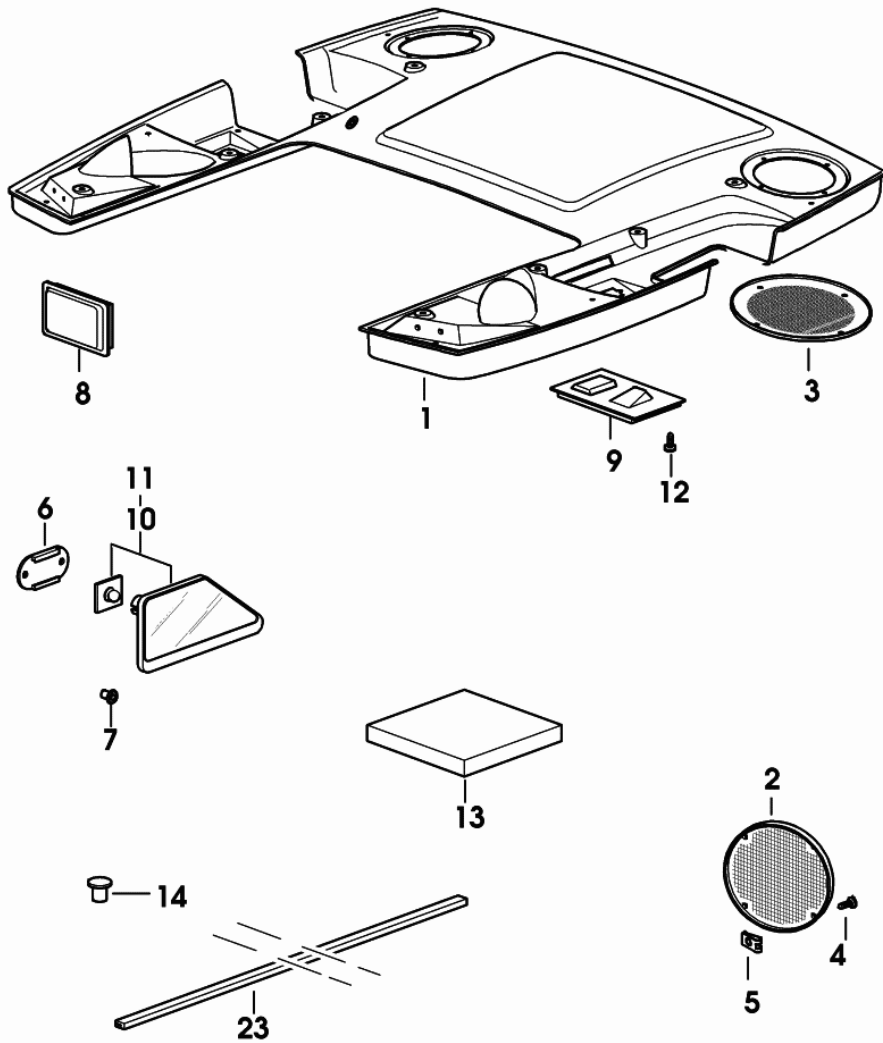


9_95071_24_0_0

Section: CAB

INTERIOR TRIM "HIGHT VISIBILITY"

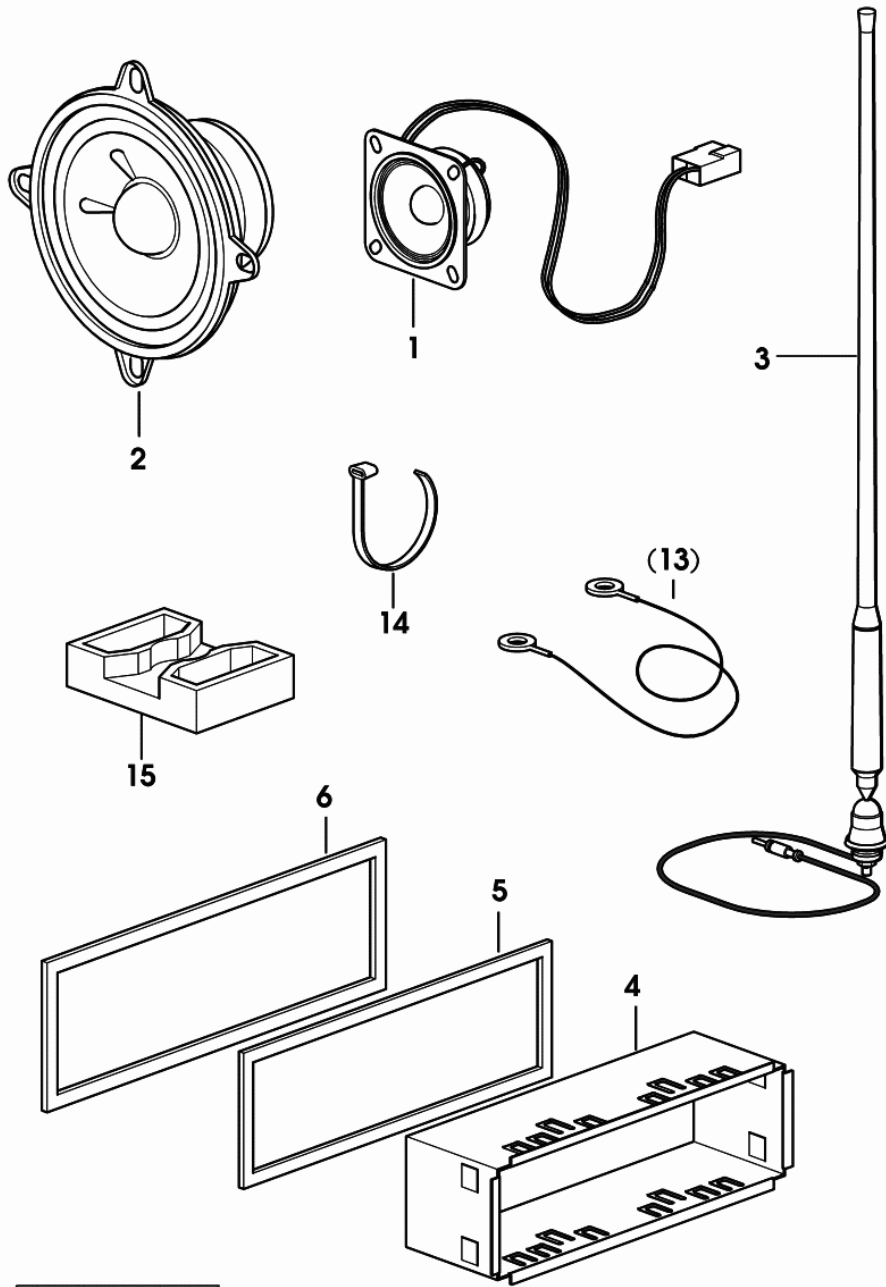
Fig.	Code	QTY	Name
1	04429780.4	1	lining
2	0.012.1724.0	2	grille
3	0.012.1723.0	2	grille
4	04416520	16	screw
5	01180397	18	nut
6	0.012.2107.0/10	2	support
7	04414182	4	rivet 4.8
8	04426316	1	interior light
9	04412616	1	light
10	0.012.2111.4	1	mirror sx/lh/li
11	0.012.2112.4	1	mirror dx/rh/re
12	04414185	1	screw m3,5x16
13	04429947	2	gasket
14	04429415	1	plug
23	01388899	0	gasket



9_95071_68_0_A

Section: CAB
KIT RADIO

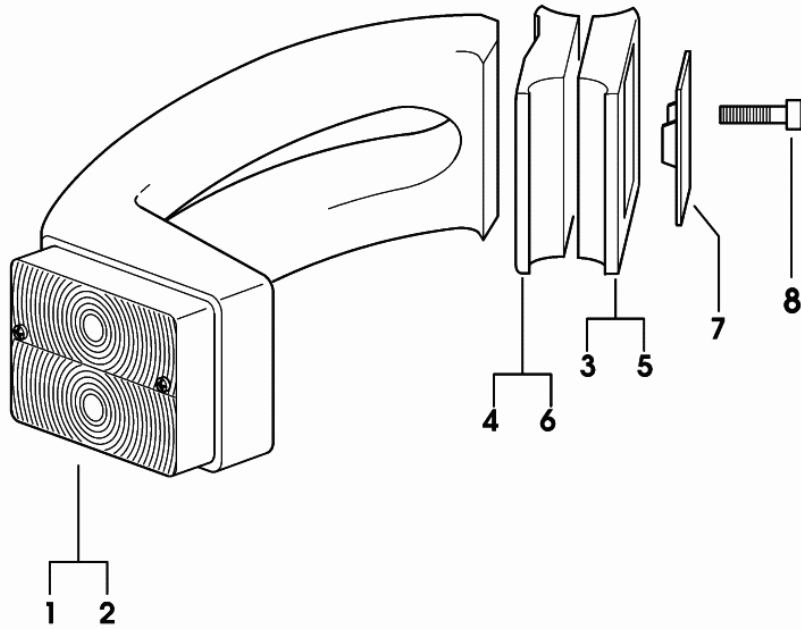
Fig.	Code	QTY	Name
1	0.012.1725.0	2	loud speaker
2	0.012.1726.0	2	loud speaker
3	0.011.7543.3/20	1	radio aereo -> 1001 X Agrotron TTV 1130 -> 1001 X Agrotron TTV 1145 -> 1016 X Agrotron TTV 1160
4	0.012.2091.4	1	small frame
5	0.012.2089.4	1	frame
6	0.012.2090.4	1	frame
14	01172065	10	clamp 4.6 x 146
15	01179020	3	wire guide



9_95071_39_0_0

FRONT LIGHTS

Fig.	Code	QTY	Name
1	04411920.4	1	lamp sx/lh/li COMPONENT PARTS SEE COMPONENTS LIST ☞ 04411920.4 ☞ 08.00.19
2	04411921.4	1	lamp dx/rh/re COMPONENT PARTS SEE COMPONENTS LIST ☞ 04411921.4 ☞ 08.00.20
3	04413186	1	guard sx/lh/li
4	04413187	1	guard sx/lh/li
5	04413188	1	guard dx/rh/re
6	04413189	1	guard dx/rh/re
7	04413190	2	diaphragm
8	04414580	6	screw m 8 x 30

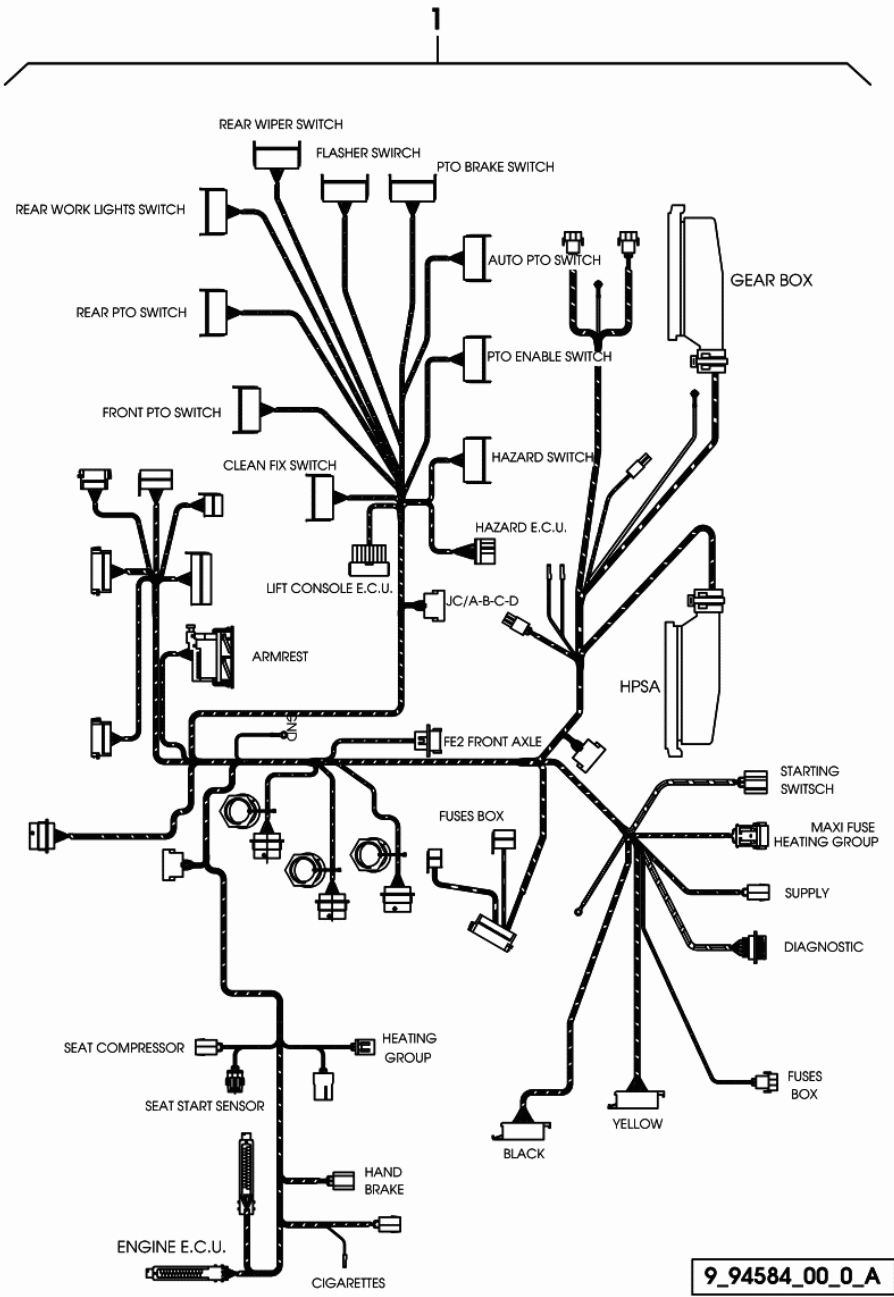


9_94684_00_0_A

RIGHT-HAND CONSOLE ELECTRICAL SYSTEM

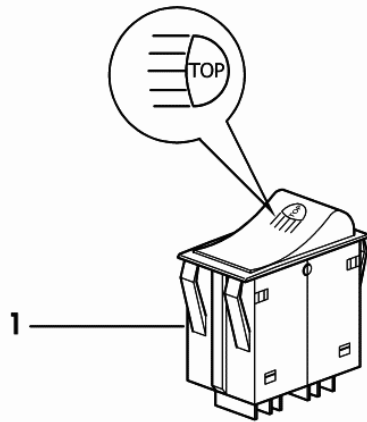
Fig.	Code	QTY	Name
------	------	-----	------

1	0.012.5957.4	1	cable harness COMPONENT PARTS SEE COMPONENTS LIST ☞ 0.012.5957.4 ☞ 08.00.25
---	--------------	---	---



SWITCH TOP

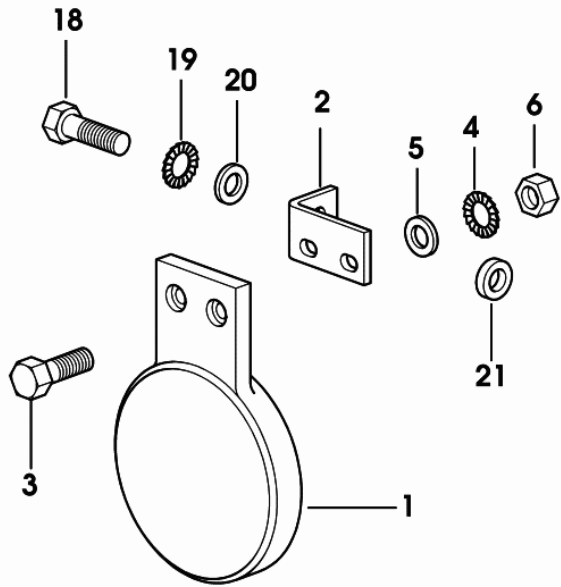
Fig.	Code	QTY	Name
1	0.012.5941.4	1	switch



9_94584_08_0_0

RETROREFLECTOR

Fig.	Code	QTY	Name
1	2.8349.008.0/20	2	reflector mm 80
2	04401648	2	angular
3	01112264	4	screw m 6 x 20, d933
4	01117863	4	washer 7.5
5	01151663	4	washer 6, d128
6	01112813	4	nut m 6
18	01112529	2	screw m 12 x 30, d933
19	01117872	2	lock washer
20	01107108	2	washer
21	2.1599.484.2	2	spacer 13x26x4



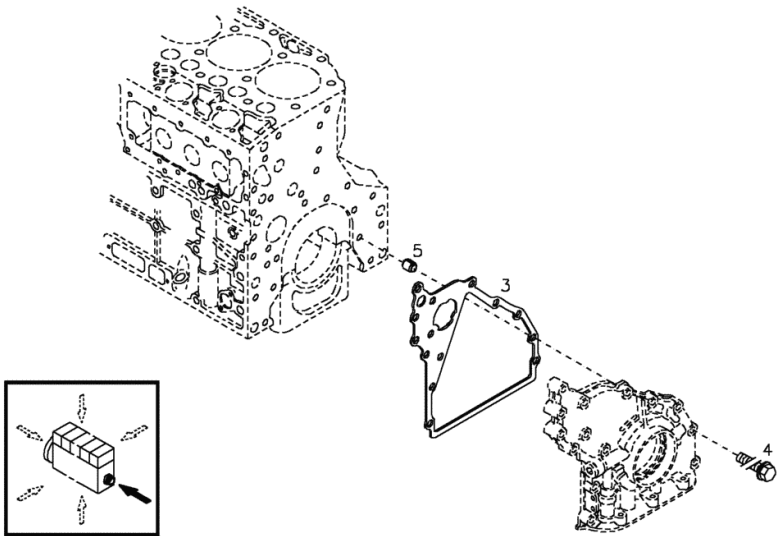
9_95085_35_0_0

Section: ENGINE
FASTENINGS

Fig.	Code	QTY	Name
------	------	-----	------

Engine Serial Numbers:

484346 484347 484348 484349 484350 484351 505637 510250 510251 510252 510253 510254 510255 510256
 510257 510258 510259 513937 513938 513939 513940 628226 628227 628228 628229 628230 628231 628232
 628233 628234 628235 634000 634001 634002 643962 643963 643964 643965 643966 652657 652658 652659
 652660 658376 658377 658378 659792 659793 659794 659795 660069 660070 661248 661249 665497 665498
 665499 665500 665501 665502 665503 665504 665505 665506 665507 665508 665509 665510 665511 665512
 682183 682184 682185 682186 682187 682188 682189 682190 682191 682192 682193 682194 682195 682196
 690260 690261 690262 690263 690264 690265 690266 690267 690268 690269 701266 701267 701268 701269
 701270 701271 702364 702365 702366 702367 702368 702369 702370 709590 709591 709592 711180 711181
 711182 711183 711184 712370 712371 712372 712373 712374 712375 712376 712377 712378 712379 712380
 712381 712382 712383 714541 714542 714543 714544 714545 714546 714547 714548 714549 714550 714551
 714552 714553 714554 714555 714994 714995 727735 727736 727737 727738 727739 727740 727741 727742
 727743 727744 734801 738338 738339 738340 738341 738342 738343 738344 738345 743614 743615 743616
 743617 743618 743619 743620 743621 746676 746677 746678 746679 746680 746681 746682 746683 746684
 746685 751706 751707 751708 751709 751710 751711 751712 751713 751714 751715 754818 754819 754820
 754821 754822 754823 754824 757108 757109 757110 757111 757112 757113 757114 757115 757116 757117
 757118 757119 757120 757121 757122 762867 762868 762869 762870 762871 762872 762873 762874 762875
 762876 762877 762878 764105 764106 764107 764108 764109 764110 764111 764112 764113 764114 764846
 764847 764848 764849 764850 764851 764852 764853 764854 764855 764856 764857 772795 772796 772797
 772798 772799 772800 772801 772802 772803 772804 772805 772806 774446 774447 774448 797881 797882
 797883 797884 797885 797886 797887 797888 797889 797890 824760 824761 824762 824763 824764 824765
 824766 824767 824768 824769 824770 824771 832355 832356 832357 832358 832359 832360 832361 832362
 832363 832364 832365 832366 832367 832368 832369 832370 832371 832372 832373 832374 838382 838383
 838384 838385 838386 838387 838388 838389 838390 838391 838392 838393 838785 838786 838787 838788
 838789 838790 838791 838792 848250 848251 848252 848253 848254 848255 848256 848257 848258 848259
 848260 848261 848262 848263 848264 848265 851568 851569 851570 851571 851572 851573 851574 851575
 851576 851577 851578 851579 851580 851581 851582 863316 863317 863318 863319 863320 863321 863322
 863323 863324 863325 863326 863327 864066 864067 864068 864069 864070 864071 864072 864073 875251
 875252 875253 875254 875255 875256 875257 875258 875259 875260 875261 875262 875263 875264 875265
 875266 875267 875268 875269 875270 875271 875272 875273 875274 875275 875276 875277 875278 875279
 875280 875281 875282 875283 879274 879275 879276 879277 879278 879279 884615 884616 884617 884618
 884619 884620 884729 884730 884731 884732 884733 884734 884735 884736 884737 884738 945150 954827
 954828 954829 954830 954831 954832 954833 954834 954835 954836 956858 956859 956860 956861 956862
 956863 956864 956865 956866 956867 958709 958710 958711 958712 966912 966913 1030702 1030703 1030704
 1030705 1033135 1033136 1039967 1039968 1039969 1039970



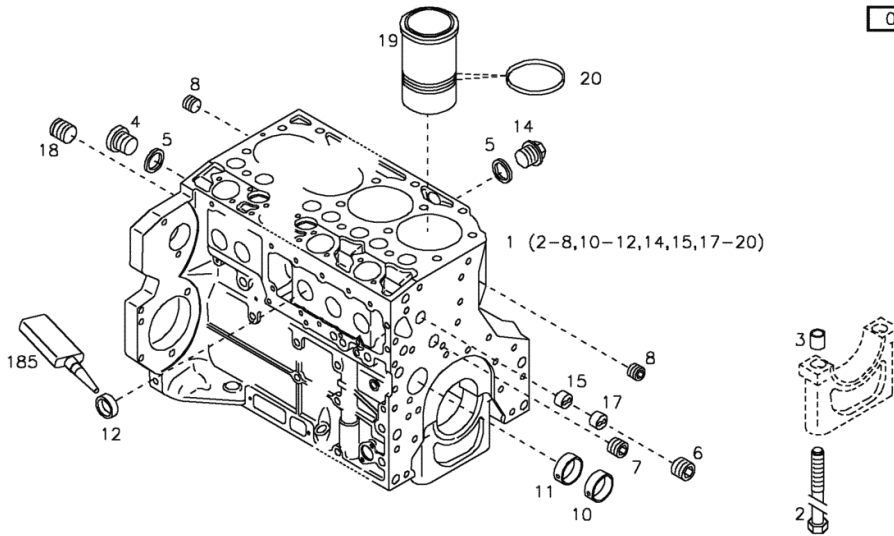
3	04204450	1	gasket
4	01143362	14	screw
5	01181406	1	bushing

Section: ENGINE
CRANKCASE

Fig.	Code	QTY	Name
------	------	-----	------

Engine Serial Numbers:

484346 484347 484348 484349 484350 484351 505637 510250 510251 510252 510253 510254 510255 510256
 510257 510258 510259 513937 513938 513939 513940 628226 628227 628228 628229 628230 628231 628232
 628233 628234 628235 634000 634001 634002 643962 643963 643964 643965 643966 652657 652658 652659
 652660 658376 658377 658378 659792 659793 659794 659795 660069 660070 661248 661249 665497 665498
 665499 665500 665501 665502 665503 665504 665505 665506 665507 665508 665509 665510 665511 665512
 682183 682184 682185 682186 682187 682188 682189 682190 682191 682192 682193 682194 682195 682196
 690260 690261 690262 690263 690264 690265 690266 690267 690268 690269 701266 701267 701268 701269
 701270 701271 702364 702365 702366 702367 702368 702369 702370 709590 709591 709592 711180 711181
 711182 711183 711184 712370 712371 712372 712373 712374 712375 712376 712377 712378 712379 712380
 712381 712382 712383 714541 714542 714543 714544 714545 714546 714547 714548 714549 714550 714551
 714552 714553 714554 714555 714994 714995 727735 727736 727737 727738 727739 727740 727741 727742
 727743 727744 734801 738338 738339 738340 738341 738342 738343 738344 738345 743614 743615 743616
 743617 743618 743619 743620 743621 746676 746677 746678 746679 746680 746681 746682 746683 746684
 746685 751706 751707 751708 751709 751710 751711 751712 751713 751714 751715 754818 754819 754820
 754821 754822 754823 754824 757108 757109 757110 757111 757112 757113 757114 757115 757116 757117
 757118 757119 757120 757121 757122 762867 762868 762869 762870 762871 762872 762873 762874 762875
 762876 762877 762878 764105 764106 764107 764108 764109 764110 764111 764112 764113 764114 764846
 764847 764848 764849 764850 764851 764852 764853 764854 764855 764856 764857 772795 772796 772797
 772798 772799 772800 772801 772802 772803 772804 772805 772806 774446 774447 774448



1	04209415	1	crankcase WITH ITEM (2-8,10-12,14,15,17-20)
2	04251254	14	screw
3	04200078	14	bushing
4	01110423	2	screw
5	01118693	4	DIN 000908-M14X1,5-ST-ZNPHRF gasket 14x20
6	01180890	1	DIN 007603-A 14 X 20 -CU screw
7	01180906	1	H 002812-906-M30X1,5-ST-A4C-PRE80 screw
8	01180891	2	H 002812-906-M22X1,5-ST-A4C-PRE80 screw
10	04200021	6	H 002812-906-M14X1,5-ST-A4C-PRE80 bushing
11	04200022	1	bushing
12	01179635	10	H 002860-A45-ST-FE/ZNPHR plug
14	01100940	2	H 002812-2838-M22X1,5-ST-PRE80 screw
15	04202518	1	DIN 007604-AM14X1,5 -ST-A4C sleeve
17	04202517	1	sleeve
18	01181155	1	H 002812-2838-M22X1,5-ST-PRE80 plug

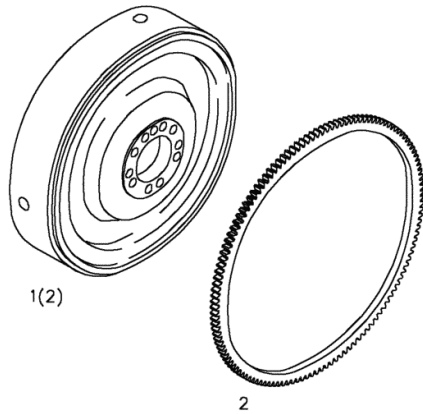
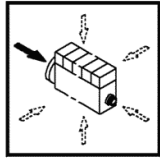
Section: ENGINE
FLYWHEEL

Fig.	Code	QTY	Name
------	------	-----	------

Engine Serial Numbers:

484346 484347 484348 484349 484350 484351 505637 510250 510251 510252 510253 510254 510255 510256
 510257 510258 510259 513937 513938 513939 513940 628226 628227 628228 628229 628230 628231 628232
 628233 628234 628235 634000 634001 634002 643962 643963 643964 643965 643966 652657 652658 652659
 652660 658376 658377 658378 659792 659793 659794 659795 660069 660070 661248 661249 665497 665498
 665499 665500 665501 665502 665503 665504 665505 665506 665507 665508 665509 665510 665511 665512
 682183 682184 682185 682186 682187 682188 682189 682190 682191 682192 682193 682194 682195 682196
 690260 690261 690262 690263 690264 690265 690266 690267 690268 690269 701266 701267 701268 701269
 701270 701271 702364 702365 702366 702367 702368 702369 702370 709590 709591 709592 711180 711181
 711182 711183 711184 712370 712371 712372 712373 712374 712375 712376 712377 712378 712379 712380
 712381 712382 712383 714541 714542 714543 714544 714545 714546 714547 714548 714549 714550 714551
 714552 714553 714554 714555 714994 714995 727735 727736 727737 727738 727739 727740 727741 727742
 727743 727744 734801 738338 738339 738340 738341 738342 738343 738344 738345 743614 743615 743616
 743617 743618 743619 743620 743621 746676 746677 746678 746679 746680 746681 746682 746683 746684
 746685 751706 751707 751708 751709 751710 751711 751712 751713 751714 751715 754818 754819 754820
 754821 754822 754823 754824 757108 757109 757110 757111 757112 757113 757114 757115 757116 757117
 757118 757119 757120 757121 757122 762867 762868 762869 762870 762871 762872 762873 762874 762875
 762876 762877 762878 764105 764106 764107 764108 764109 764110 764111 764112 764113 764114 764846
 764847 764848 764849 764850 764851 764852 764853 764854 764855 764856 764857 772795 772796 772797
 772798 772799 772800 772801 772802 772803 772804 772805 772806 774446 774447 774448 797881 797882
 797883 797884 797885 797886 797887 797888 797889 797890 824760 824761 824762 824763 824764 824765
 824766 824767 824768 824769 824770 824771 832355 832356 832357 832358 832359 832360 832361 832362
 832363 832364 832365 832366 832367 832368 832369 832370 832371 832372 832373 832374 838382 838383
 838384 838385 838386 838387 838388 838389 838390 838391 838392 838393 838785 838786 838787 838788
 838789 838790 838791 838792 848250 848251 848252 848253 848254 848255 848256 848257 848258 848259
 848260 848261 848262 848263 848264 848265 851568 851569 851570 851571 851572 851573 851574 851575
 851576 851577 851578 851579 851580 851581 851582 863316 863317 863318 863319 863320 863321 863322
 863323 863324 863325 863326 863327 864066 864067 864068 864069 864070 864071 864072 864073 875251
 875252 875253 875254 875255 875256 875257 875258 875259 875260 875261 875262 875263 875264 875265
 875266 875267 875268 875269 875270 875271 875272 875273 875274 875275 875276 875277 875278 875279
 875280 875281 875282 875283 879274 879275 879276 879277 879278 879279 884615 884616 884617 884618
 884619 884620 884729 884730 884731 884732 884733 884734 884735 884736 884737 884738 945150 954827
 954828 954829 954830 954831 954832 954833 954834 954835 954836 956858 956859 956860 956861 956862
 956863 956864 956865 956866 956867 958709 958710 958711 958712 966912 966913 1030702 1030703 1030704
 1030705 1033135 1033136 1039967 1039968 1039969 1039970

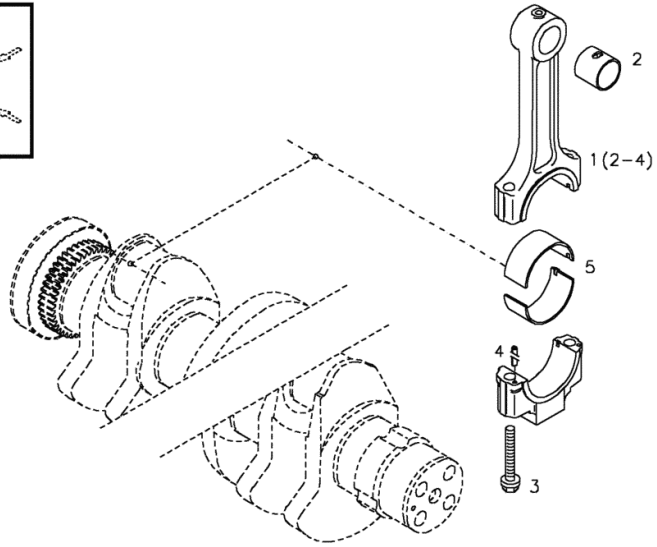
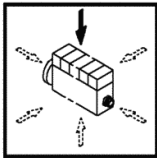
001 ©



1	04208193	1	flywheel WITH ITEM (2)
2	02131081	1	crown wheel

Section: ENGINE
CONNECTING ROD

Fig.	Code	QTY	Name
970	02931474	1	conrod.bearing 1ST UNDERSIZE 1ST UNDERSIZE 1A MEDIDA DE DESGASTE 1ERE COTE EN SOUS-DIMENSION 67.75 MM
971	02931475	1	conrod.bearing 2ND UNDERSIZE 67.50 MM



004 ©

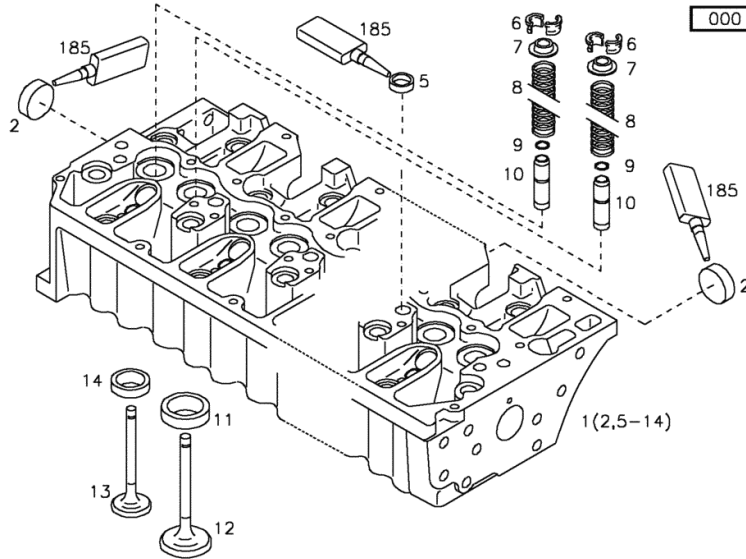
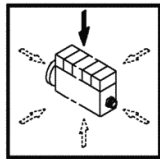
Section: ENGINE
CYLINDER HEAD

Fig.	Code	QTY	Name
------	------	-----	------

Engine Serial Numbers:

484346 484347 484348 484349 484350 484351 505637 510250 510251 510252 510253 510254 510255 510256
510257 510258 510259 513937 513938 513939 513940 628226 628227 628228 628229 628230 628231 628232
628233 628234 628235 634000 634001 634002 643962 643963 643964 643965 643966 652657 652658 652659
652660 658376 658377 658378 659792 659793 659794 659795 660069 660070 661248 661249 665497 665498
665499 665500 665501 665502 665503 665504 665505 665506 665507 665508 665509 665510 665511 665512

1	04255293	1	engine head WITH ITEM (2,5-14)
2	01179634	5	plug H 002860-A36-ST-FE/ZNPHR
5	01165828	5	stop H 000711-B20
6	12164698	24	conical valve cotter H 007020-MK 9
7	04200114	12	cap-washer
8	04200150	12	spring
9	01153857	12	ring H 002927- 9 X 1,5 -FPM-1-82
10	04201238	12	valve guide NORMAL (A) MM RD, FOR OVERSIZED PART SEE POS (B) A = 15.00 MM B = POS. 950-951
11	04252442	6	ring INTAKE VALVE, NORMAL.(A)MM RD FOR OVERSIZED PART SEE POS (B) A = 49.09 mm B = POS.952-953
12	04255883	6	inlet valve
13	04209111	6	exhaust valve
14	04252443	6	ring EXHAUST VALVE, NORMAL.(A)MM RD FOR OVERSIZED PART SEE POS (B) A = 43,60 MM B = POS.954-955
185	01016125	0	guard H 000699-DEUTZ DW 72- 250 ML
950	02934437	0	valve guide 1° MAGGIORANZIONE 1ST OVERSIZE 1A SOBREMEDIDA 1ERE COTE EN SURDIMENSION 15.25 MM
951	02934438	0	valve guide



CLICK HERE TO **DOWNLOAD** THE COMPLETE MANUAL

- Thank you very much for reading the preview of the manual.
- You can download the complete manual from: www.heydownloads.com by clicking the link below



- Please note: If there is no response to CLICKING the link, please download this PDF first and then click on it.

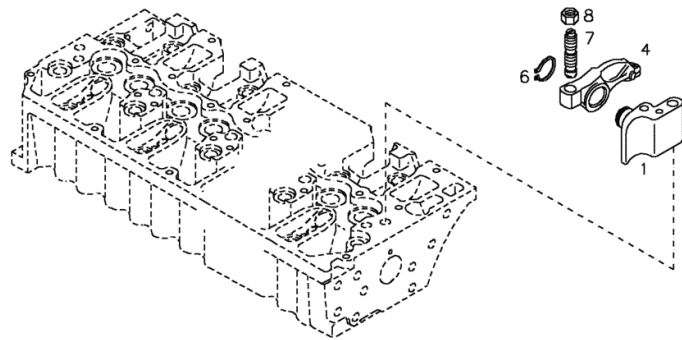
CLICK HERE TO **DOWNLOAD** THE COMPLETE MANUAL

ROCKER ARM BRACKET

Fig.	Code	QTY	Name
------	------	-----	------

Engine Serial Numbers:

484346 484347 484348 484349 484350 484351 505637 510250 510251 510252 510253 510254 510255 510256
 510257 510258 510259 513937 513938 513939 513940 628226 628227 628228 628229 628230 628231 628232
 628233 628234 628235 634000 634001 634002 643962 643963 643964 643965 643966 652657 652658 652659
 652660 658376 658377 658378 659792 659793 659794 659795 660069 660070 661248 661249 665497 665498
 665499 665500 665501 665502 665503 665504 665505 665506 665507 665508 665509 665510 665511 665512
 682183 682184 682185 682186 682187 682188 682189 682190 682191 682192 682193 682194 682195 682196
 690260 690261 690262 690263 690264 690265 690266 690267 690268 690269 701266 701267 701268 701269
 701270 701271 702364 702365 702366 702367 702368 702369 702370 709590 709591 709592 711180 711181
 711182 711183 711184 712370 712371 712372 712373 712374 712375 712376 712377 712378 712379 712380
 712381 712382 712383 714541 714542 714543 714544 714545 714546 714547 714548 714549 714550 714551
 714552 714553 714554 714555 714994 714995 727735 727736 727737 727738 727739 727740 727741 727742
 727743 727744 734801 738338 738339 738340 738341 738342 738343 738344 738345 743614 743615 743616
 743617 743618 743619 743620 743621 746676 746677 746678 746679 746680 746681 746682 746683 746684
 746685 751706 751707 751708 751709 751710 751711 751712 751713 751714 751715 754818 754819 754820
 754821 754822 754823 754824 757108 757109 757110 757111 757112 757113 757114 757115 757116 757117
 757118 757119 757120 757121 757122 762867 762868 762869 762870 762871 762872 762873 762874 762875
 762876 762877 762878 764105 764106 764107 764108 764109 764110 764111 764112 764113 764114 764846
 764847 764848 764849 764850 764851 764852 764853 764854 764855 764856 764857 772795 772796 772797
 772798 772799 772800 772801 772802 772803 772804 772805 772806 774446 774447 774448 797881 797882
 797883 797884 797885 797886 797887 797888 797889 797890 824760 824761 824762 824763 824764 824765
 824766 824767 824768 824769 824770 824771 832355 832356 832357 832358 832359 832360 832361 832362
 832363 832364 832365 832366 832367 832368 832369 832370 832371 832372 832373 832374 838382 838383
 838384 838385 838386 838387 838388 838389 838390 838391 838392 838393 838785 838786 838787 838788
 838789 838790 838791 838792 848250 848251 848252 848253 848254 848255 848256 848257 848258 848259
 848260 848261 848262 848263 848264 848265 851568 851569 851570 851571 851572 851573 851574 851575
 851576 851577 851578 851579 851580 851581 851582 863316 863317 863318 863319 863320 863321 863322
 863323 863324 863325 863326 863327 864066 864067 864068 864069 864070 864071 864072 864073 875251
 875252 875253 875254 875255 875256 875257 875258 875259 875260 875261 875262 875263 875264 875265
 875266 875267 875268 875269 875270 875271 875272 875273 875274 875275 875276 875277 875278 875279
 875280 875281 875282 875283 879274 879275 879276 879277 879278 879279 884615 884616 884617 884618
 884619 884620 884729 884730 884731 884732 884733 884734 884735 884736 884737 884738 945150 954827
 954828 954829 954830 954831 954832 954833 954834 954835 954836 956858 956859 956860 956861 956862
 956863 956864 956865 956866 956867 958709 958710 958711 958712 966912 966913 1030702 1030703 1030704
 1030705 1033135 1033136 1039967 1039968 1039969 1039970



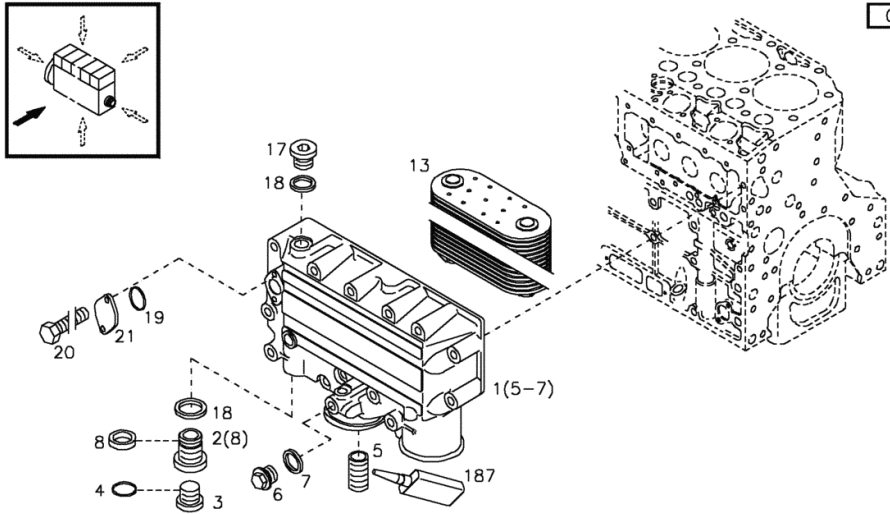
1	04200959	1	support
4	04204023	1	tappets
6	01107731	1	circlip
7	03365861	1	register
8	02109637	1	nut

Section: ENGINE
OIL COOLER BOX

Fig.	Code	QTY	Name
------	------	-----	------

Engine Serial Numbers:

484346 484347 484348 484349 484350 484351 505637 510250 510251 510252 510253 510254 510255 510256
 510257 510258 510259 513937 513938 513939 513940 628226 628227 628228 628229 628230 628231 628232
 628233 628234 628235 634000 634001 634002 643962 643963 643964 643965 643966 652657 652658 652659
 652660 658376 658377 658378 659792 659793 659794 659795 660069 660070 661248 661249 665497 665498
 665499 665500 665501 665502 665503 665504 665505 665506 665507 665508 665509 665510 665511 665512
 682183 682184 682185 682186 682187 682188 682189 682190 682191 682192 682193 682194 682195 682196
 690260 690261 690262 690263 690264 690265 690266 690267 690268 690269 701266 701267 701268 701269
 701270 701271 702364 702365 702366 702367 702368 702369 702370 709590 709591 709592 711180 711181
 711182 711183 711184 712370 712371 712372 712373 712374 712375 712376 712377 712378 712379 712380
 712381 712382 712383 714541 714542 714543 714544 714545 714546 714547 714548 714549 714550 714551
 714552 714553 714554 714555 714994 714995 727735 727736 727737 727738 727739 727740 727741 727742
 727743 727744 734801 738338 738339 738340 738341 738342 738343 738344 738345 743614 743615 743616
 743617 743618 743619 743620 743621 746676 746677 746678 746679 746680 746681 746682 746683 746684
 746685 751706 751707 751708 751709 751710 751711 751712 751713 751714 751715 754818 754819 754820
 754821 754822 754823 754824 757108 757109 757110 757111 757112 757113 757114 757115 757116 757117
 757118 757119 757120 757121 757122 762867 762868 762869 762870 762871 762872 762873 762874 762875
 762876 762877 762878 764105 764106 764107 764108 764109 764110 764111 764112 764113 764114 764846
 764847 764848 764849 764850 764851 764852 764853 764854 764855 764856 764857 772795 772796 772797
 772798 772799 772800 772801 772802 772803 772804 772805 772806 774446 774447 774448



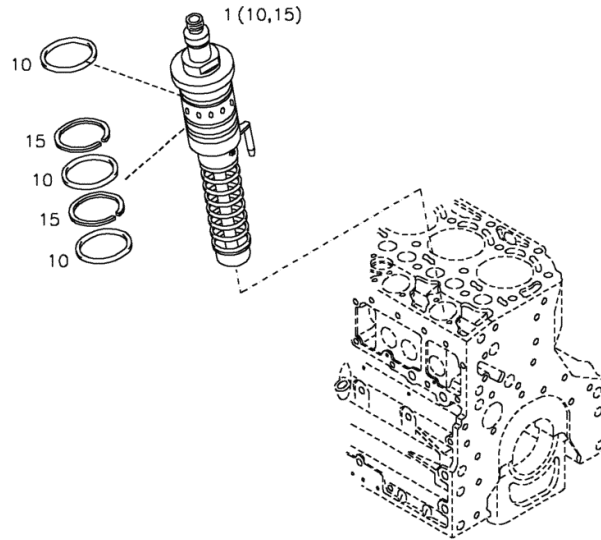
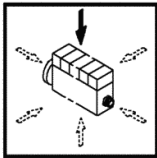
1	04207722	1	oil cooler WITH ITEM (5-7)
2	04209118	2	screw WITH ITEM (8)
3	01151645	2	plug DIN 000908-M33X2 -ST-A4C
4	01178213	2	'o' ring Ø 32 x 2,5 H 002927- 32 X 2,5 -FPM-1-60
5	04197729	1	pipe fitting
6	01118997	1	screw cm10x1 DIN 007604-CM10X1 -ST-ZNPHRF
7	01118659	1	'o' ring DIN 007603-A 10 X 13,5 -CU
8	04201286	2	'o' ring H 002914-CM26X1,5 -PTFE-SPEZIAL-BRAUN
13	04209930	1	radiator
17	01148158	2	plug DIN 000908-M26X1,5-ST-A4C
18	01118759	4	'o' ring DIN 007603-A 26 X 31 -AL
19	01180290	1	'o' ring H 002927- 20 X 2,5 -EPDM-6-70

Section: ENGINE
FUEL INJECT. PUMP

Fig.	Code	QTY	Name
------	------	-----	------

Engine Serial Numbers:

797881 797882 797883 797884 797885 797886 797887 797888 797889 797890 824760 824761 824762 824763
 824764 824765 824766 824767 824768 824769 824770 824771 832355 832356 832357 832358 832359 832360
 832361 832362 832363 832364 832365 832366 832367 832368 832369 832370 832371 832372 832373 832374
 838382 838383 838384 838385 838386 838387 838388 838389 838390 838391 838392 838393 838785 838786
 838787 838788 838789 838790 838791 838792 848250 848251 848252 848253 848254 848255 848256 848257
 848258 848259 848260 848261 848262 848263 848264 848265 851568 851569 851570 851571 851572 851573
 851574 851575 851576 851577 851578 851579 851580 851581 851582 863316 863317 863318 863319 863320
 863321 863322 863323 863324 863325 863326 863327 864066 864067 864068 864069 864070 864071 864072
 864073 875251 875252 875253 875254 875255 875256 875257 875258 875259 875260 875261 875262 875263
 875264 875265 875266 875267 875268 875269 875270 875271 875272 875273 875274 875275 875276 875277
 875278 875279 875280 875281 875282 875283 879274 879275 879276 879277 879278 879279 884615 884616
 884617 884618 884619 884620 884729 884730 884731 884732 884733 884734 884735 884736 884737 884738
 945150 954827 954828 954829 954830 954831 954832 954833 954834 954835 954836 956858 956859 956860
 956861 956862 956863 956864 956865 956866 956867 958709 958710 958711 958712 966912 966913 1030702
 1030703 1030704 1030705 1033135 1033136 1039967 1039968 1039969 1039970



1	02112860	1	injector pump WITH ITEM (10,15)
10	01319139	3	ring
15	01319140	2	ring

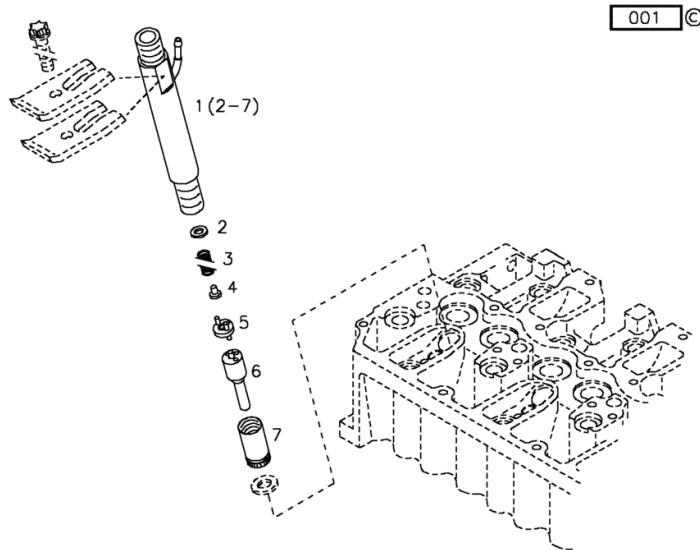
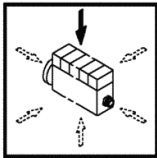
Section: ENGINE
FUEL INJECTOR

Fig.	Code	QTY	Name
------	------	-----	------

Engine Serial Numbers:

484346 484347 484348 484349 484350 484351 505637 510250 510251 510252 510253 510254 510255 510256
 510257 510258 510259 513937 513938 513939 513940

1	02112219	1	injector WITH ITEM (2-7)
2	01318285	0	shim mm 1.0 NORMAL (A)MM, OVERSIZE STEP SEE ITEM (B) (A) 1,00 (B) 950-978
3	01318353	1	spring
4	01318363	1	bolt
5	01318355	1	pulley
6	02126998	1	injector
7	01318357	1	nut
950	01318329	0	shim mm 1.04 OVERSIZE 1.04 MM
951	01318330	0	shim mm 1.08 OVERSIZE 1.08 MM
952	01318286	0	shim mm 1.10 OVERSIZE 1.10 MM
953	01318331	0	shim mm 1.14 OVERSIZE 1.14 MM
954	01318332	0	shim mm 1.18 OVERSIZE 1.18 MM
955	01318333	0	shim mm 1.20 OVERSIZE 1.20 MM
956	01318287	0	shim mm 1.24 OVERSIZE 1.24 MM
957	01318334	0	shim mm 1.28 OVERSIZE 1.28 MM
958	01318335	0	shim mm 1.30 OVERSIZE 1.30 MM



Section: ENGINE
CONNECTION

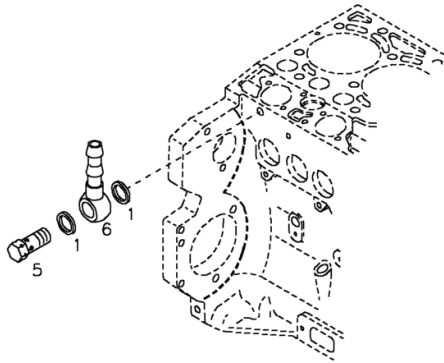
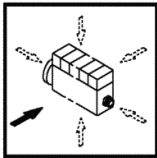
Fig.	Code	QTY	Name
------	------	-----	------

Engine Serial Numbers:

797881 797882 797883 797884 797885 797886 797887 797888 797889 797890

1	01118693	2	gasket 14x20 DIN 007603-A 14 X 20 -CU
5	02111519	1	fuse
6	01180403	1	ring H 003450-D14X 8 -ST

000 ©

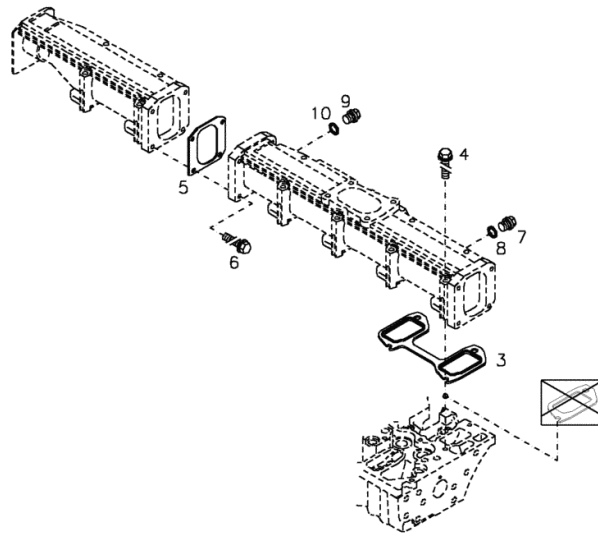
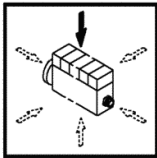


Section: ENGINE
FASTENINGS

Fig.	Code	QTY	Name
------	------	-----	------

Engine Serial Numbers:

484346 484347 484348 484349 484350 484351 505637 510250 510251 510252 510253 510254 510255 510256
 510257 510258 510259 513937 513938 513939 513940 628226 628227 628228 628229 628230 628231 628232
 628233 628234 628235 634000 634001 634002 643962 643963 643964 643965 643966 652657 652658 652659
 652660 658376 658377 658378 659792 659793 659794 659795 660069 660070 661248 661249 665497 665498
 665499 665500 665501 665502 665503 665504 665505 665506 665507 665508 665509 665510 665511 665512
 682183 682184 682185 682186 682187 682188 682189 682190 682191 682192 682193 682194 682195 682196
 690260 690261 690262 690263 690264 690265 690266 690267 690268 690269 701266 701267 701268 701269
 701270 701271 702364 702365 702366 702367 702368 702369 702370 709590 709591 709592 711180 711181
 711182 711183 711184 712370 712371 712372 712373 712374 712375 712376 712377 712378 712379 712380
 712381 712382 712383 714541 714542 714543 714544 714545 714546 714547 714548 714549 714550 714551
 714552 714553 714554 714555 714994 714995 727735 727736 727737 727738 727739 727740 727741 727742
 727743 727744 734801 738338 738339 738340 738341 738342 738343 738344 738345 743614 743615 743616
 743617 743618 743619 743620 743621 746676 746677 746678 746679 746680 746681 746682 746683 746684
 746685 751706 751707 751708 751709 751710 751711 751712 751713 751714 751715 754818 754819 754820
 754821 754822 754823 754824 757108 757109 757110 757111 757112 757113 757114 757115 757116 757117
 757118 757119 757120 757121 757122 762867 762868 762869 762870 762871 762872 762873 762874 762875
 762876 762877 762878 764105 764106 764107 764108 764109 764110 764111 764112 764113 764114 764846
 764847 764848 764849 764850 764851 764852 764853 764854 764855 764856 764857 772795 772796 772797
 772798 772799 772800 772801 772802 772803 772804 772805 772806 774446 774447 774448 797881 797882
 797883 797884 797885 797886 797887 797888 797889 797890 824760 824761 824762 824763 824764 824765
 824766 824767 824768 824769 824770 824771 832355 832356 832357 832358 832359 832360 832361 832362
 832363 832364 832365 832366 832367 832368 832369 832370 832371 832372 832373 832374 838382 838383
 838384 838385 838386 838387 838388 838389 838390 838391 838392 838393 838785 838786 838787 838788
 838789 838790 838791 838792 848250 848251 848252 848253 848254 848255 848256 848257 848258 848259
 848260 848261 848262 848263 848264 848265 851568 851569 851570 851571 851572 851573 851574 851575
 851576 851577 851578 851579 851580 851581 851582 863316 863317 863318 863319 863320 863321 863322
 863323 863324 863325 863326 863327 864066 864067 864068 864069 864070 864071 864072 864073 875251
 875252 875253 875254 875255 875256 875257 875258 875259 875260 875261 875262 875263 875264 875265
 875266 875267 875268 875269 875270 875271 875272 875273 875274 875275 875276 875277 875278 875279
 875280 875281 875282 875283 879274 879275 879276 879277 879278 879279 884615 884616 884617 884618
 884619 884620 884729 884730 884731 884732 884733 884734 884735 884736 884737 884738 945150 954827
 954828 954829 954830 954831 954832 954833 954834 954835 954836 956858 956859 956860 956861 956862
 956863 956864 956865 956866 956867 958709 958710 958711 958712 966912 966913 1030702 1030703 1030704
 1030705 1033135 1033136 1039967 1039968 1039969 1039970



002 ©

3	04255362	3	gasket
4	01179293	12	screw
5	04206814	1	gasket
6	01179193	4	screw
7	01133632	1	screw
8	01118688	1	ring 14x17
9	01110433	1	screw
10	01118659	1	'o' ring

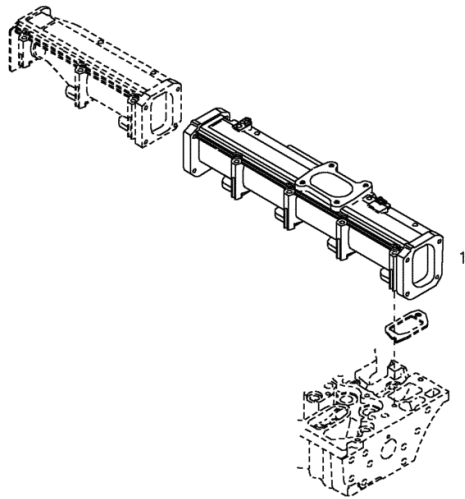
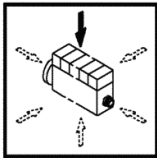
Section: ENGINE
CHARGE AIR PIPE

Fig.	Code	QTY	Name
------	------	-----	------

Engine Serial Numbers:

1030702 1030703 1030704 1030705 1033135 1033136 1039967 1039968 1039969 1039970

1	04284695	1	tube
---	----------	---	------



000 ©

ACTUATOR

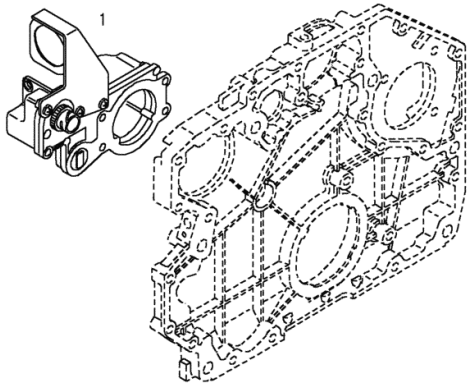
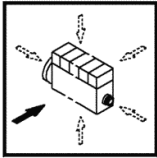
Fig.	Code	QTY	Name
------	------	-----	------

Engine Serial Numbers:

628226 628227 628228 628229 628230 628231 628232 628233 628234 628235 634000 634001 634002 643962
 643963 643964 643965 643966 652657 652658 652659 652660 658376 658377 658378 659792 659793 659794
 659795 660069 660070 661248 661249 665497 665498 665499 665500 665501 665502 665503 665504 665505
 665506 665507 665508 665509 665510 665511 665512 682183 682184 682185 682186 682187 682188 682189
 682190 682191 682192 682193 682194 682195 682196 690260 690261 690262 690263 690264 690265 690266
 690267 690268 690269 701266 701267 701268 701269 701270 701271 702364 702365 702366 702367 702368
 702369 702370 709590 709591 709592 711180 711181 711182 711183 711184 712370 712371 712372 712373
 712374 712375 712376 712377 712378 712379 712380 712381 712382 712383 714541 714542 714543 714544
 714545 714546 714547 714548 714549 714550 714551 714552 714553 714554 714555 714994 714995 727735
 727736 727737 727738 727739 727740 727741 727742 727743 727744 734801

000 ©

1	02112684	1	actuator
---	----------	---	----------



COOLING WATER PUMP

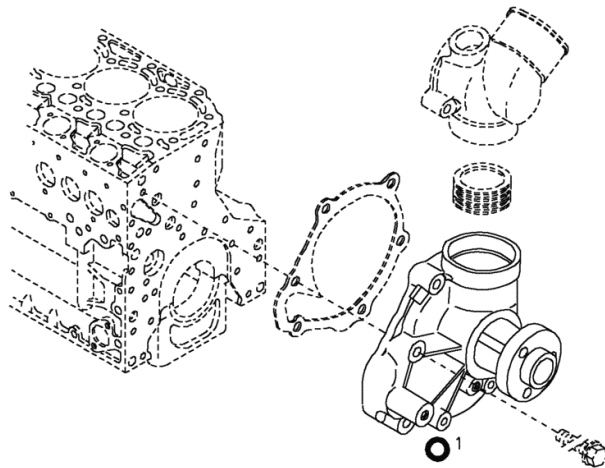
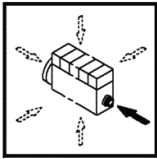
Fig.	Code	QTY	Name
------	------	-----	------

Engine Serial Numbers:

484346 484347 484348 484349 484350 484351 505637 510250 510251 510252 510253 510254 510255 510256
510257 510258 510259 513937 513938 513939 513940

1	04205959	1	pump - NEW PART RECONDITIONED PART, SEE POS. (A) A = POS.950
.950	03045253	0	water pump RECONDITIONED PART - FOR NEW PART SEE POS. (A) A = 1.00 MM

001 ©

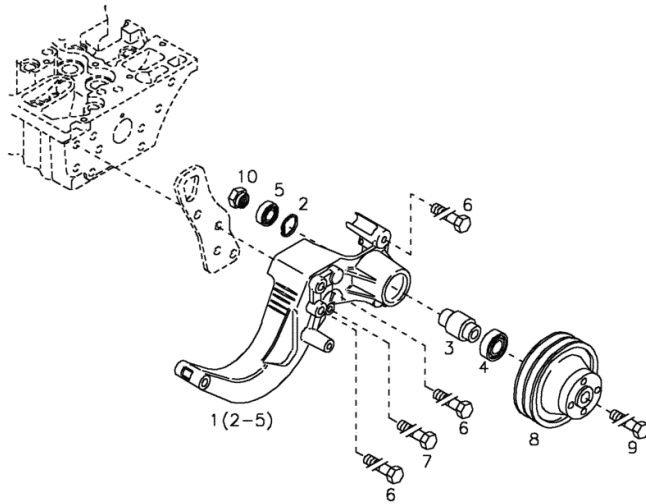
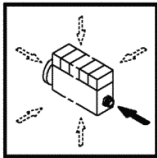


Section: ENGINE
FAN SUPPORT

Fig.	Code	QTY	Name
------	------	-----	------

Engine Serial Numbers:

734801 738338 738339 738340 738341 738342 738343 738344 738345 743614 743615 743616 743617 743618
 743619 743620 743621 746676 746677 746678 746679 746680 746681 746682 746683 746684 746685 751706
 751707 751708 751709 751710 751711 751712 751713 751714 751715 754818 754819 754820 754821 754822
 754823 754824 757108 757109 757110 757111 757112 757113 757114 757115 757116 757117 757118 757119
 757120 757121 757122 762867 762868 762869 762870 762871 762872 762873 762874 762875 762876 762877
 762878 764105 764106 764107 764108 764109 764110 764111 764112 764113 764114 764846 764847 764848
 764849 764850 764851 764852 764853 764854 764855 764856 764857 772795 772796 772797 772798 772799
 772800 772801 772802 772803 772804 772805 772806 774446 774447 774448 797881 797882 797883 797884
 797885 797886 797887 797888 797889 797890 824760 824761 824762 824763 824764 824765 824766 824767
 824768 824769 824770 824771 832355 832356 832357 832358 832359 832360 832361 832362 832363 832364
 832365 832366 832367 832368 832369 832370 832371 832372 832373 832374 838382 838383 838384 838385
 838386 838387 838388 838389 838390 838391 838392 838393 838785 838786 838787 838788 838789 838790
 838791 838792 848250 848251 848252 848253 848254 848255 848256 848257 848258 848259 848260 848261
 848262 848263 848264 848265 851568 851569 851570 851571 851572 851573 851574 851575 851576 851577
 851578 851579 851580 851581 851582 863316 863317 863318 863319 863320 863321 863322 863323 863324
 863325 863326 863327 864066 864067 864068 864069 864070 864071 864072 864073 875251 875252 875253
 875254 875255 875256 875257 875258 875259 875260 875261 875262 875263 875264 875265 875266 875267
 875268 875269 875270 875271 875272 875273 875274 875275 875276 875277 875278 875279 875280 875281
 875282 875283 879274 879275 879276 879277 879278 879279 884615 884616 884617 884618 884619 884620
 884729 884730 884731 884732 884733 884734 884735 884736 884737 884738 945150 954827 954828 954829
 954830 954831 954832 954833 954834 954835 954836 956858 956859 956860 956861 956862 956863 956864
 956865 956866 956867 958709 958710 958711 958712 966912 966913 1030702 1030703 1030704 1030705 1033135
 1033136 1039967 1039968 1039969 1039970



1	04282224	1	support WITH ITEM (2-5)
2	01107838	1	circlip
3	04207928	1	shaft
4	01179116	1	bearing 6305 2rs c3
5	01179676	1	bearing
6	01152360	3	screw
7	01151514	1	stop
8	04251574	1	pulley
9	01111579	1	screw
10	04207929	1	nut

Section: ENGINE
TURBOCHARGER

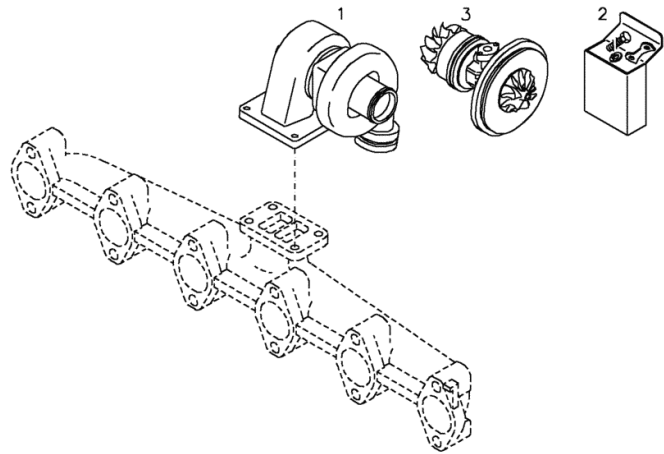
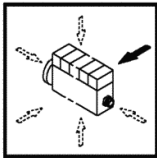
Fig.	Code	QTY	Name
------	------	-----	------

Engine Serial Numbers:

797881 797882 797883 797884 797885 797886 797887 797888 797889 797890 824760 824761 824762 824763
 824764 824765 824766 824767 824768 824769 824770 824771 832355 832356 832357 832358 832359 832360
 832361 832362 832363 832364 832365 832366 832367 832368 832369 832370 832371 832372 832373 832374
 838382 838383 838384 838385 838386 838387 838388 838389 838390 838391 838392 838393 838785 838786
 838787 838788 838789 838790 838791 838792 848250 848251 848252 848253 848254 848255 848256 848257
 848258 848259 848260 848261 848262 848263 848264 848265 851568 851569 851570 851571 851572 851573
 851574 851575 851576 851577 851578 851579 851580 851581 851582 863316 863317 863318 863319 863320
 863321 863322 863323 863324 863325 863326 863327 864066 864067 864068 864069 864070 864071 864072
 864073 875251 875252 875253 875254 875255 875256 875257 875258 875259 875260 875261 875262 875263
 875264 875265 875266 875267 875268 875269 875270 875271 875272 875273 875274 875275 875276 875277
 875278 875279 875280 875281 875282 875283 879274 879275 879276 879277 879278 879279 884615 884616
 884617 884618 884619 884620 884729 884730 884731 884732 884733 884734 884735 884736 884737 884738

001 ©

1	04259315	1	turbo charger
2	01319949	0	repair kit direct gl
3	01319966	0	turbo charger



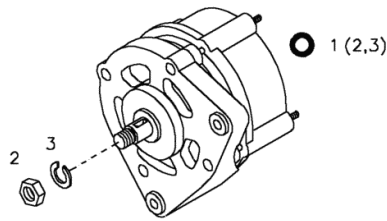
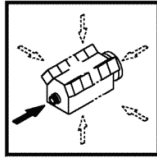
Section: ENGINE
GENERATOR

Fig.	Code	QTY	Name
------	------	-----	------

Engine Serial Numbers:

484346 484347 484348 484349 484350 484351 505637 510250 510251 510252 510253 510254 510255 510256
 510257 510258 510259 513937 513938 513939 513940 628226 628227 628228 628229 628230 628231 628232
 628233 628234 628235 634000 634001 634002 643962 643963 643964 643965 643966 652657 652658 652659
 652660 658376 658377 658378 659792 659793 659794 659795 660069 660070 661248 661249 665497 665498
 665499 665500 665501 665502 665503 665504 665505 665506 665507 665508 665509 665510 665511 665512
 682183 682184 682185 682186 682187 682188 682189 682190 682191 682192 682193 682194 682195 682196
 690260 690261 690262 690263 690264 690265 690266 690267 690268 690269 701266 701267 701268 701269
 701270 701271 702364 702365 702366 702367 702368 702369 702370 709590 709591 709592 711180 711181
 711182 711183 711184 712370 712371 712372 712373 712374 712375 712376 712377 712378 712379 712380
 712381 712382 712383 714541 714542 714543 714544 714545 714546 714547 714548 714549 714550 714551
 714552 714553 714554 714555 714994 714995 727735 727736 727737 727738 727739 727740 727741 727742
 727743 727744 734801 738338 738339 738340 738341 738342 738343 738344 738345 743614 743615 743616
 743617 743618 743619 743620 743621 746676 746677 746678 746679 746680 746681 746682 746683 746684
 746685 751706 751707 751708 751709 751710 751711 751712 751713 751714 751715 754818 754819 754820
 754821 754822 754823 754824 757108 757109 757110 757111 757112 757113 757114 757115 757116 757117
 757118 757119 757120 757121 757122 762867 762868 762869 762870 762871 762872 762873 762874 762875
 762876 762877 762878 764105 764106 764107 764108 764109 764110 764111 764112 764113 764114 764846
 764847 764848 764849 764850 764851 764852 764853 764854 764855 764856 764857 772795 772796 772797
 772798 772799 772800 772801 772802 772803 772804 772805 772806 774446 774447 774448 797881 797882
 797883 797884 797885 797886 797887 797888 797889 797890 824760 824761 824762 824763 824764 824765
 824766 824767 824768 824769 824770 824771 832355 832356 832357 832358 832359 832360 832361 832362
 832363 832364 832365 832366 832367 832368 832369 832370 832371 832372 832373 832374 838382 838383
 838384 838385 838386 838387 838388 838389 838390 838391 838392 838393 838785 838786 838787 838788
 838789 838790 838791 838792 848250 848251 848252 848253 848254 848255 848256 848257 848258 848259
 848260 848261 848262 848263 848264 848265 851568 851569 851570 851571 851572 851573 851574 851575
 851576 851577 851578 851579 851580 851581 851582 863316 863317 863318 863319 863320 863321 863322
 863323 863324 863325 863326 863327 864066 864067 864068 864069 864070 864071 864072 864073 875251
 875252 875253 875254 875255 875256 875257 875258 875259 875260 875261 875262 875263 875264 875265
 875266 875267 875268 875269 875270 875271 875272 875273 875274 875275 875276 875277 875278 875279
 875280 875281 875282 875283 879274 879275 879276 879277 879278 879279 884615 884616 884617 884618
 884619 884620 884729 884730 884731 884732 884733 884734 884735 884736 884737 884738 945150 954827
 954828 954829 954830 954831 954832 954833 954834 954835 954836 956858 956859 956860 956861 956862
 956863 956864 956865 956866 956867 958709 958710 958711 958712 966912 966913

003 ©



1	01178607	1	alternator 95 A - NEW PART RECONDITIONED PART, SEE POS. (A) COMPLETE WITH POSITION .. (2-3) COMPONENT PARTS SEE
2	01131115	1	nut
3	01103952	1	spring disc
950	03040715	1	alternator 95 A RECONDITIONED PART - FOR NEW PART SEE POS. (A) COMPLETE WITH POSITION ..

Section: ENGINE
ACCESSORIES

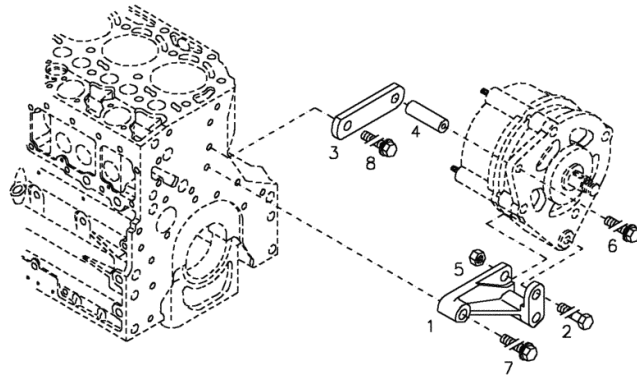
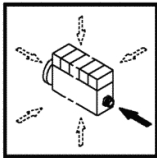
Fig.	Code	QTY	Name
------	------	-----	------

Engine Serial Numbers:

1030702 1030703 1030704 1030705 1033135 1033136 1039967 1039968 1039969 1039970

1	04255423	1	bracket
2	01111195	2	screw
3	04284159	1	support
4	04207889	1	bushing
5	01148417	1	nut
6	01181435	1	screw
7	01181437	1	screw
8	01181433	1	screw

000 ©

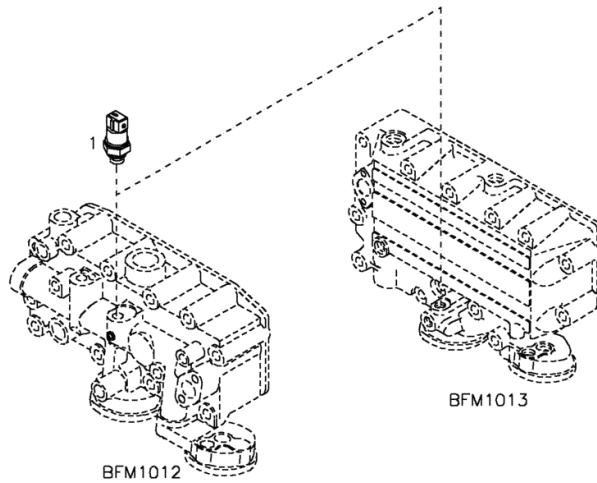
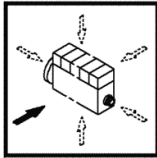


Section: ENGINE
OIL PRESSUR.SWITCH

Fig.	Code	QTY	Name
------	------	-----	------

Engine Serial Numbers:

628226 628227 628228 628229 628230 628231 628232 628233 628234 628235 634000 634001 634002 643962
 643963 643964 643965 643966 652657 652658 652659 652660 658376 658377 658378 659792 659793 659794
 659795 660069 660070 661248 661249 665497 665498 665499 665500 665501 665502 665503 665504 665505
 665506 665507 665508 665509 665510 665511 665512 682183 682184 682185 682186 682187 682188 682189
 682190 682191 682192 682193 682194 682195 682196 690260 690261 690262 690263 690264 690265 690266
 690267 690268 690269 701266 701267 701268 701269 701270 701271 702364 702365 702366 702367 702368
 702369 702370 709590 709591 709592 711180 711181 711182 711183 711184 712370 712371 712372 712373
 712374 712375 712376 712377 712378 712379 712380 712381 712382 712383 714541 714542 714543 714544
 714545 714546 714547 714548 714549 714550 714551 714552 714553 714554 714555 714994 714995 727735
 727736 727737 727738 727739 727740 727741 727742 727743 727744 734801 738338 738339 738340 738341
 738342 738343 738344 738345 743614 743615 743616 743617 743618 743619 743620 743621 746677 746678
 746679 746680 746681 746682 746683 746684 746685 751706 751707 751708 751709 751710 751711
 751712 751713 751714 751715 754818 754819 754820 754821 754822 754823 754824 757108 757109 757110
 757111 757112 757113 757114 757115 757116 757117 757118 757119 757120 757121 757122 762867 762868
 762869 762870 762871 762872 762873 762874 762875 762876 762877 762878 764105 764106 764107 764108
 764109 764110 764111 764112 764113 764114 764846 764847 764848 764849 764850 764851 764852 764853
 764854 764855 764856 764857 772795 772796 772797 772798 772799 772800 772801 772802 772803 772804
 772805 772806 774446 774447 774448 797881 797882 797883 797884 797885 797886 797887 797888 797889
 797890 824760 824761 824762 824763 824764 824765 824766 824767 824768 824769 824770 824771 832355
 832356 832357 832358 832359 832360 832361 832362 832363 832364 832365 832366 832367 832368 832369
 832370 832371 832372 832373 832374 838382 838383 838384 838385 838386 838387 838388 838389 838390
 838391 838392 838393 838785 838786 838787 838788 838789 838790 838791 838792 848250 848251 848252
 848253 848254 848255 848256 848257 848258 848259 848260 848261 848262 848263 848264 848265 851568
 851569 851570 851571 851572 851573 851574 851575 851576 851577 851578 851579 851580 851581 851582
 863316 863317 863318 863319 863320 863321 863322 863323 863324 863325 863326 863327 864066 864067
 864068 864069 864070 864071 864072 864073



001 ©

1	01181232	1	pressure switch H 821021-RB2-0,5/0,3-0,7- GRAPHITSCHWARZ
---	----------	---	--

Section: ENGINE
ACCESSORIES

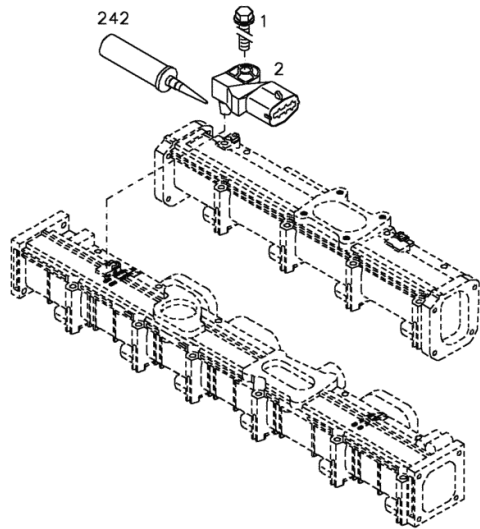
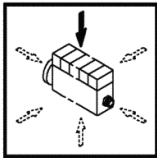
Fig.	Code	QTY	Name
------	------	-----	------

Engine Serial Numbers:

945150 954827 954828 954829 954830 954831 954832 954833 954834 954835 954836 956858 956859 956860
 956861 956862 956863 956864 956865 956866 956867 958709 958710 958711 958712 966912 966913 1030702
 1030703 1030704 1030705 1033135 1033136 1039967 1039968 1039969 1039970

1	01181965	1	screw EN 1662 -F-M6X20-10.9-ZNAL-A
2	04194078	1	sensor
242	01016105	1	sealing compound

000 ©



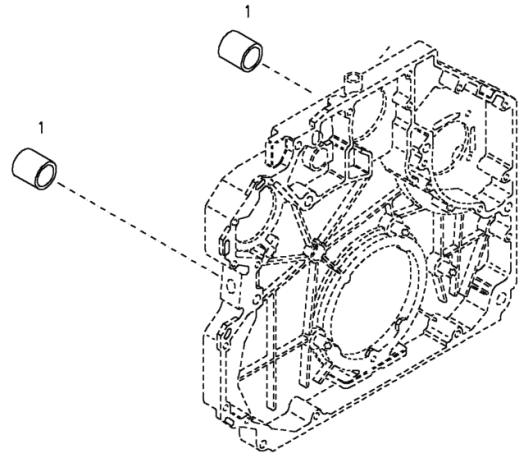
BUSH

Fig.	Code	QTY	Name
------	------	-----	------

Engine Serial Numbers:

484346 484347 484348 484349 484350 484351 505637 510250 510251 510252 510253 510254 510255 510256
 510257 510258 510259 513937 513938 513939 513940 628226 628227 628228 628229 628230 628231 628232
 628233 628234 628235 634000 634001 634002 643962 643963 643964 643965 643966 652657 652658 652659
 652660 658376 658377 658378 659792 659793 659794 659795 660069 660070 661248 661249 665497 665498
 665499 665500 665501 665502 665503 665504 665505 665506 665507 665508 665509 665510 665511 665512
 682183 682184 682185 682186 682187 682188 682189 682190 682191 682192 682193 682194 682195 682196
 690260 690261 690262 690263 690264 690265 690266 690267 690268 690269 701266 701267 701268 701269
 701270 701271 702364 702365 702366 702367 702368 702369 702370 709590 709591 709592 711180 711181
 711182 711183 711184 712370 712371 712372 712373 712374 712375 712376 712377 712378 712379 712380
 712381 712382 712383 714541 714542 714543 714544 714545 714546 714547 714548 714549 714550 714551
 714552 714553 714554 714555 714994 714995 727735 727736 727737 727738 727739 727740 727741 727742
 727743 727744 734801 738338 738339 738340 738341 738342 738343 738344 738345 743614 743615 743616
 743617 743618 743619 743620 743621 746676 746677 746678 746679 746680 746681 746682 746683 746684
 746685 751706 751707 751708 751709 751710 751711 751712 751713 751714 751715 754818 754819 754820
 754821 754822 754823 754824 757108 757109 757110 757111 757112 757113 757114 757115 757116 757117
 757118 757119 757120 757121 757122 762867 762868 762869 762870 762871 762872 762873 762874 762875
 762876 762877 762878 764105 764106 764107 764108 764109 764110 764111 764112 764113 764114 764846
 764847 764848 764849 764850 764851 764852 764853 764854 764855 764856 764857 772795 772796 772797
 772798 772799 772800 772801 772802 772803 772804 772805 772806 774446 774447 774448 797881 797882
 797883 797884 797885 797886 797887 797888 797889 797890 824760 824761 824762 824763 824764 824765
 824766 824767 824768 824769 824770 824771 832355 832356 832357 832358 832359 832360 832361 832362
 832363 832364 832365 832366 832367 832368 832369 832370 832371 832372 832373 832374 838382 838383
 838384 838385 838386 838387 838388 838389 838390 838391 838392 838393 838785 838786 838787 838788
 838789 838790 838791 838792 848250 848251 848252 848253 848254 848255 848256 848257 848258 848259
 848260 848261 848262 848263 848264 848265 851568 851569 851570 851571 851572 851573 851574 851575
 851576 851577 851578 851579 851580 851581 851582 863316 863317 863318 863319 863320 863321 863322
 863323 863324 863325 863326 863327 864066 864067 864068 864069 864070 864071 864072 864073 875251
 875252 875253 875254 875255 875256 875257 875258 875259 875260 875261 875262 875263 875264 875265
 875266 875267 875268 875269 875270 875271 875272 875273 875274 875275 875276 875277 875278 875279
 875280 875281 875282 875283 879274 879275 879276 879277 879278 879279 884615 884616 884617 884618
 884619 884620 884729 884730 884731 884732 884733 884734 884735 884736 884737 884738 945150 954827
 954828 954829 954830 954831 954832 954833 954834 954835 954836 956858 956859 956860 956861 956862
 956863 956864 956865 956866 956867 958709 958710 958711 958712 966912 966913 1030702 1030703 1030704
 1030705 1033135 1033136 1039967 1039968 1039969 1039970

000 ©



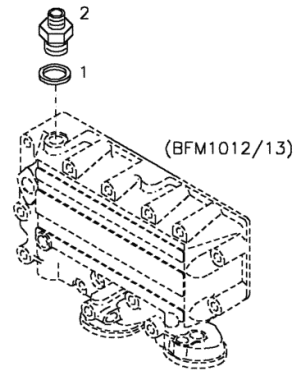
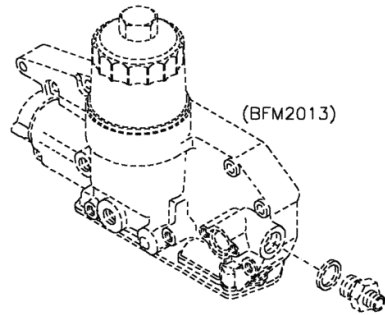
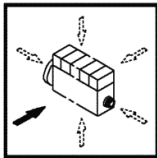
1	04206381	2	bushing 13x18x20
---	----------	---	------------------

Section: ENGINE
HEATER CONNECTION

Fig.	Code	QTY	Name
------	------	-----	------

Engine Serial Numbers:

484346 484347 484348 484349 484350 484351 505637 510250 510251 510252 510253 510254 510255 510256
 510257 510258 510259 513937 513938 513939 513940 628226 628227 628228 628229 628230 628231 628232
 628233 628234 628235 634000 634001 634002 643962 643963 643964 643965 643966 652657 652658 652659
 652660 658376 658377 658378 659792 659793 659794 659795 660069 660070 661248 661249 665497 665498
 665499 665500 665501 665502 665503 665504 665505 665506 665507 665508 665509 665510 665511 665512
 682183 682184 682185 682186 682187 682188 682189 682190 682191 682192 682193 682194 682195 682196
 690260 690261 690262 690263 690264 690265 690266 690267 690268 690269 701266 701267 701268 701269
 701270 701271 702364 702365 702366 702367 702368 702369 702370 709590 709591 709592 711180 711181
 711182 711183 711184 712370 712371 712372 712373 712374 712375 712376 712377 712378 712379 712380
 712381 712382 712383 714541 714542 714543 714544 714545 714546 714547 714548 714549 714550 714551
 714552 714553 714554 714555 714994 714995 727735 727736 727737 727738 727739 727740 727741 727742
 727743 727744 734801 738338 738339 738340 738341 738342 738343 738344 738345 743614 743615 743616
 743617 743618 743619 743620 743621 746676 746677 746678 746679 746680 746681 746682 746683 746684
 746685 751706 751707 751708 751709 751710 751711 751712 751713 751714 751715 754818 754819 754820
 754821 754822 754823 754824 757108 757109 757110 757111 757112 757113 757114 757115 757116 757117
 757118 757119 757120 757121 757122 762867 762868 762869 762870 762871 762872 762873 762874 762875
 762876 762877 762878 764105 764106 764107 764108 764109 764110 764111 764112 764113 764114 764846
 764847 764848 764849 764850 764851 764852 764853 764854 764855 764856 764857 772795 772796 772797
 772798 772799 772800 772801 772802 772803 772804 772805 772806 774446 774447 774448 945150 954827
 954828 954829 954830 954831 954832 954833 954834 954835 954836 956858 956859 956860 956861 956862
 956863 956864 956865 956866 956867 958709 958710 958711 958712 966912 966913 1030702 1030703 1030704
 1030705 1033135 1033136 1039967 1039968 1039969 1039970

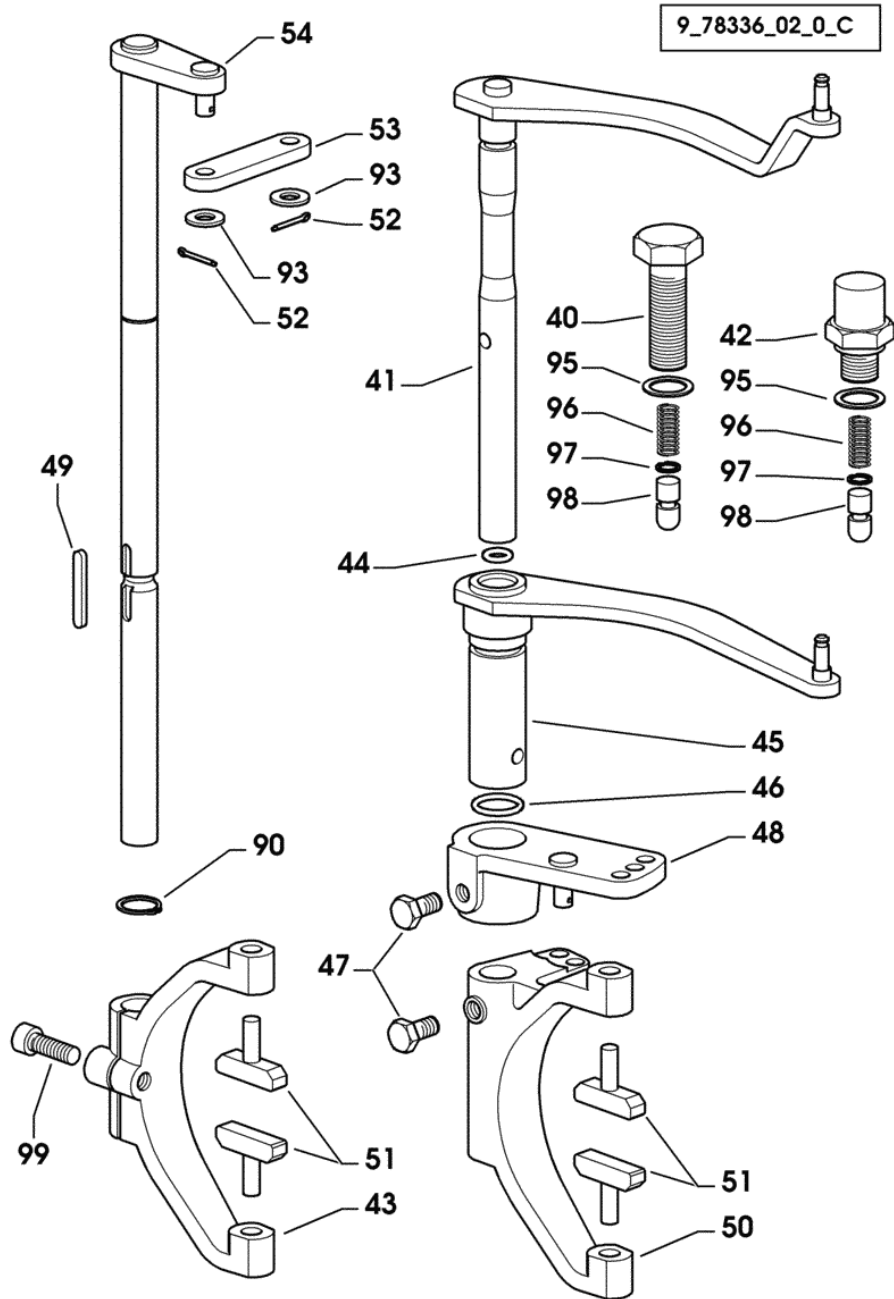


002 ©

1	01118760	2	gasket 26x31
2	01172886	2	tongue m 26x1,5/18

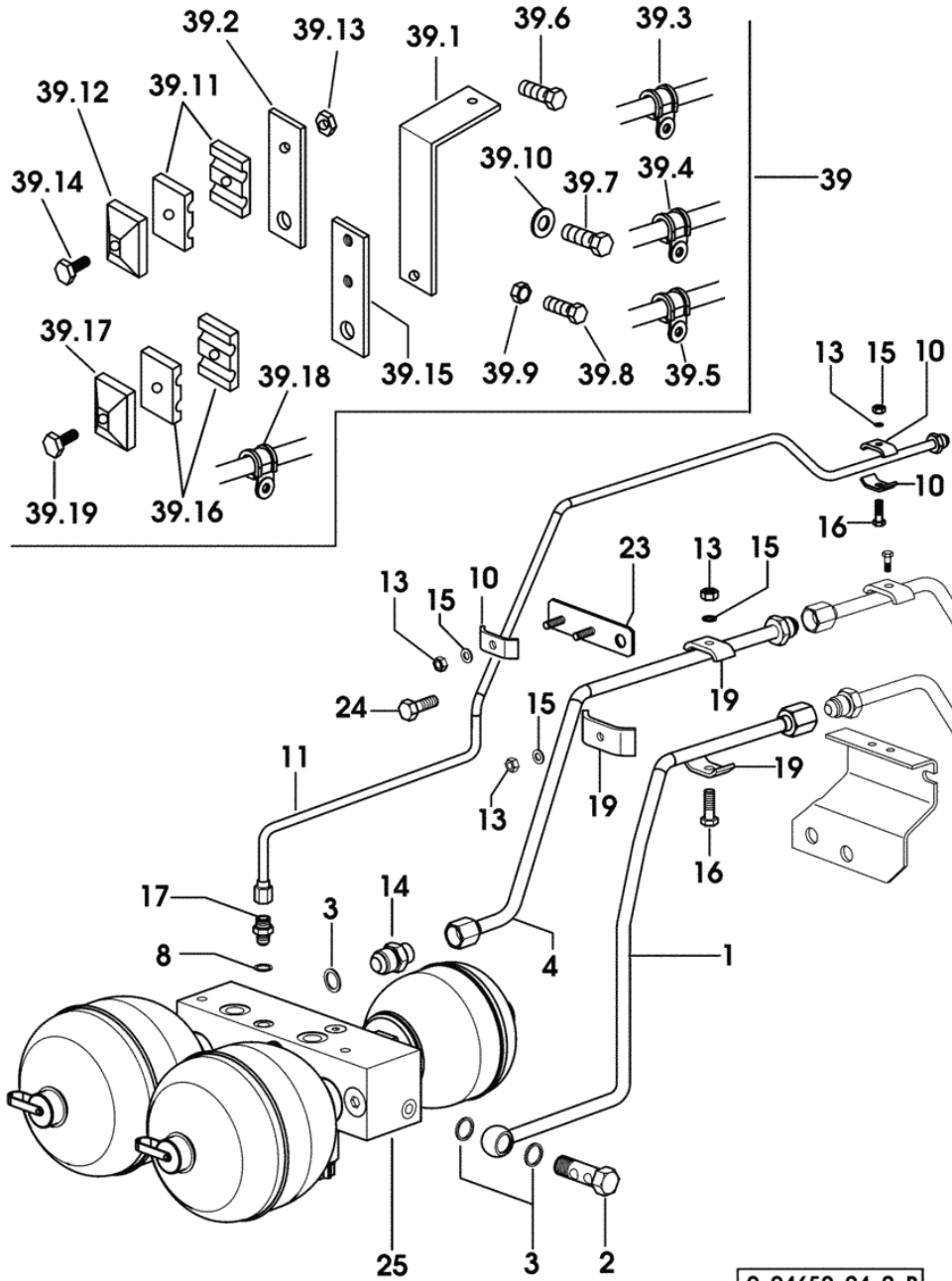
P.T.O. SHAFT

Fig.	Code	QTY	Name
40	0.011.4720.0/10	1	screw
41	0.011.4723.2/20	1	lever
42	0.011.4721.0/10	1	screw
43	0.011.4485.0	1	fork
44	2.1530.024.0	1	'o' ring 10.78 x 2.62
45	0.011.4725.2/10	1	lever
46	2.1530.052.0	1	'o' ring 20.24x2.62
47	2.0399.019.1	2	screw m 8 p.1 x 16
48	0.011.4727.2	1	sleeve
49	2.1711.011.0	2	dowel 5x3x36
50	0.011.4726.0	1	fork
51	0.007.7559.0	4	shoe
52	2.1690.206.2	2	split pin 2x16
53	0.011.0772.0	1	rod
54	0.011.4722.2	1	lever
90	2.1410.004.1	2	circlip 16
93	2.1311.006.2	2	flat washer 8
95	2.1560.012.0	1	gasket 16.2 x 22 x 1.5
96	2.4019.622.1	2	spring 6.3 x 9.5 x 1.6 x 22.4
97	2.1423.001.7	2	snoulder
98	2.1699.521.0	2	pin
99	2.0312.208.2	1	screw m 8 p.1.25 x 25



Section: FRONT AXEL

HYDRAULIC SYSTEM FOR SUSPENDED AXLE



9_94652_04_0_B

Fig.	Code	QTY	Name
1	0.011.9609.3/10	1	tube 1024 <- X Agrotron TTV-1130 1002 <- X Agrotron TTV-1145 1037 <- X Agrotron TTV-1160
1	0.012.1720.3	1	pipng -> 1025 X Agrotron TTV 1130 -> 1003 X Agrotron TTV 1145 -> 1038 X Agrotron TTV 1160
2	2.3335.007.2	2	pipe union m 16 p.1.5
3	2.1560.012.0	5	gasket 16.2 x 22 x 1.5
4	0.011.9610.3/10	1	tube
8	2.1560.008.0	3	gasket 12.2 x 18
10	0.002.8816.0	4	small plate
11	0.011.9611.3/10	1	tube
13	2.1011.103.2	5	nut m 6 p.1
14	2.3261.008.2	1	pipe fitting m 16 p.1.5-3/4"
15	2.1470.002.2	5	washer 6, d128
16	2.0112.013.2	5	screw m 6 p.1 x 35
17	2.3339.940.2	1	pipe fitting m 12 p.1.5
19	0.154.6377.0	6	terminal
23	0.011.9908.3	1	bracket
24	2.0112.407.2	1	screw m 12 p.1.75 x 20
25	04450418	1	valve
			COMPONENT PARTS SEE COMPONENTS LIST ☞ 04450418 ☞ 04.00.5
39	04422898.4	1	stop set
39.1	04422401	1	console
39.2	04422402	1	console
39.3	01220008	4	hose clip B10X20
39.4	01212670	2	hose clip B10X15
39.5	01179680	4	clamp A15X15
39.6	01139931	2	screw m 10 x 25
39.7	01112529	2	screw m 12 x 30, d933
39.8	01103316	3	screw m 6 p.1.0 x 16
39.9	01127079	2	nut m 6
39.10	01178434	2	washer 13X21X1.5
39.11	01175727	2	terminal
39.12	01175670	1	small plate
39.13	01112824	1	nut m 8, d934
39.14	01124457	1	screw m 8 x 45
39.15	04426998	1	console
39.16	01175615	2	terminal Ø 16

Section: FRONT AXEL
BEVEL WHEEL GEAR

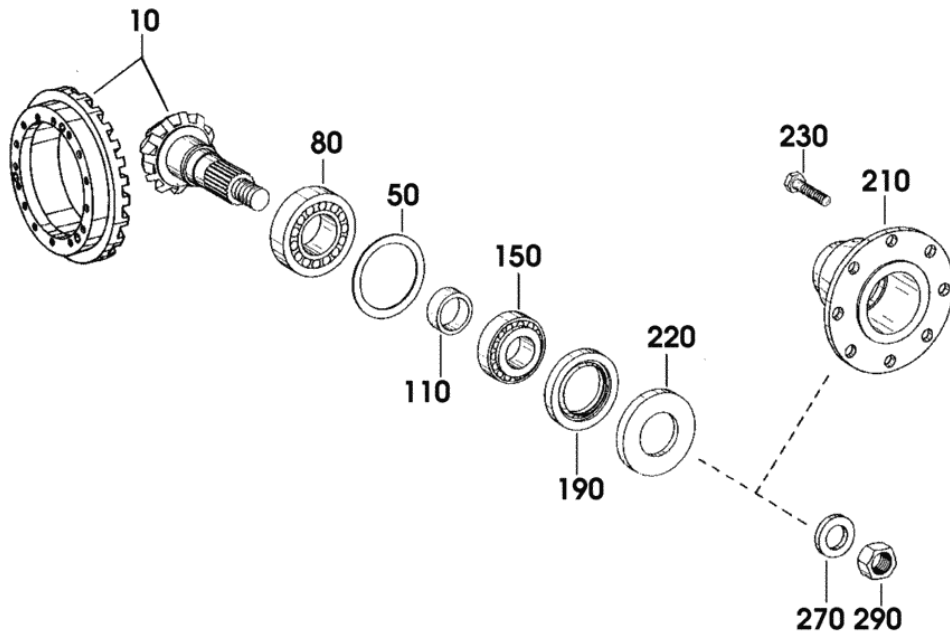


Fig.	Code	QTY	Name
110	04415290	1	ring mm 15.2
110	04415289	1	ring mm 15.1
110	04415316	1	ring mm 15.63
110	04415295	1	ring mm 15.7
110	0.010.2928.0	1	ring mm 15.84
110	04415315	1	ring mm 15.66
110	0.010.2928.1	1	ring mm 15.97
110	0.010.2928.2	1	ring mm 15.94
110	0.010.2929.0	1	ring mm 15.91
110	0.010.2929.1	1	ring mm 15.88
110	0.010.2929.2	1	ring mm 15.81
110	0.010.2930.0	1	ring mm 15.78
110	0.010.2930.1	1	ring mm 15.72
110	0.010.2930.2	1	ring mm 15.69
110	04415327	1	ring mm 15.68
110	04415325	1	ring mm 15.48
110	04415324	1	ring mm 15.38
110	04415323	1	ring mm 15.26
110	04415322	1	ring mm 15.33
110	04415321	1	ring mm 15.36
110	04415314	1	ring mm 15.73
110	04415320	1	ring mm 15.43
110	0.010.2931.0	1	ring mm 15.89
110	04415319	1	ring mm 15.46
110	04415318	1	ring mm 15.53
110	04415317	1	ring mm 15.56
110	04415326	1	ring mm 15.58
150	04368539	1	bearing
190	04415329	1	ring
210	04415399	1	flange
220	04415331	1	guard
230	0.010.3269.0	8	screw
270	04316134	1	stop mm 6.00
290	04415328	1	nut m 24x2

4475 102

BEVEL WHEEL GEAR - WITH SUSPENDED AXLE

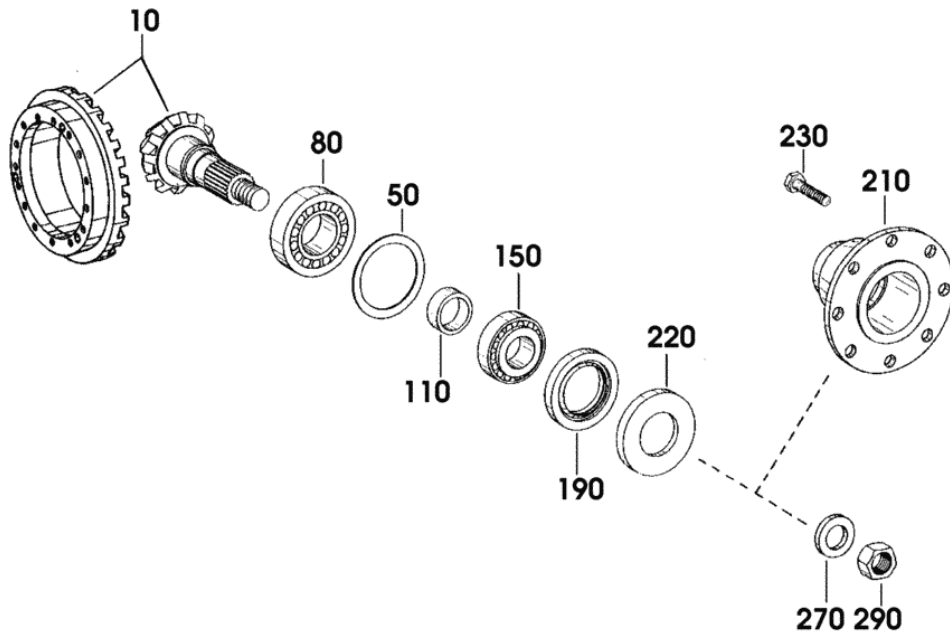


Fig.	Code	QTY	Name
10	04415005	1	bevel gear l=2.64
50	04415279	1	washer mm 0,65
50	04348603	1	washer mm 1.45
50	04415282	1	washer mm 0,85
50	04415280	1	washer mm 0,70
50	04415283	1	washer mm 0,80
50	04349935	1	flat washer mm 0,95
50	04349934	1	washer mm 0,9
50	04349933	1	washer mm 1.6
50	04348605	1	washer mm 1.55
50	04348604	1	washer mm 1.5
50	04348594	1	washer mm 1.0
50	04415281	1	washer mm 0,75
50	04348602	1	washer mm 1.4
50	04348595	1	conical washer mm 1.05
50	04348596	1	washer mm 1.1
50	04348597	1	washer mm 1.15
50	04348598	1	washer mm 1.20
50	04348599	1	washer mm 1.25
50	04415284	1	washer mm 1.3
50	04348601	1	washer mm 1.35
80	01168682	1	roller bearing
110	04415302	1	ring mm 16.4
110	04415303	1	ring mm 16.26
110	04415304	1	ring mm 16.23
110	04415305	1	ring mm 16.16
110	04415306	1	ring mm 16.13
110	04415307	1	ring mm 16.06
110	04415308	1	ring mm 16.03
110	04415309	1	ring mm 15.96
110	04415310	1	ring mm 15.93
110	04415301	1	ring mm 16.3
110	04415312	1	ring mm 15.83
110	04415293	1	ring mm 15.5
110	04415313	1	ring mm 15.76
110	04415311	1	ring mm 15.86
110	04415300	1	ring mm 16.2
110	04415299	1	ring mm 16.1
110	04415298	1	ring mm 16.0
110	04415297	1	ring mm 15.9
110	04415296	1	ring mm 15.8
110	04415294	1	ring mm 15.6
110	04415292	1	ring mm 15.4
110	04415291	1	ring mm 15.3

4475 102

FRONT HYDRAULIC POWER-LIFT

Fig.	Code	QTY	Name
0	0.000.0000.1	0	not serviceable

Catalogo ricambi originali

Original parts catalogue

Catalogue pièces d'origine

Original Ersatzteilkatalog

Catálogo peças originais

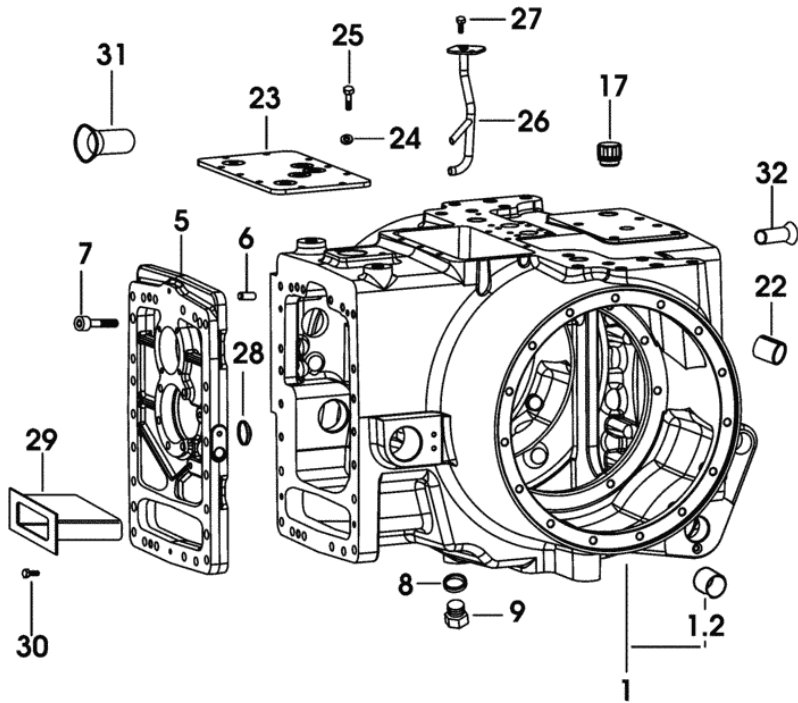
**FIRMA HANS SAUTER GMBH
LANDTECHNIK-STAHLBAU
AUERBACHWEG 13
D 87778 STETTEN**

TEL: 08261/759940

FAX: 08261/7599420

Section: GEAR
REAR GEARBOX CASE

Fig.	Code	QTY	Name
1	0.012.0172.3	1	gear box - APPLIES TO MODELS WITH REAR AXLE SERIAL NUMBERS UP TO (...) <-
1	0.012.0172.3/10	1	gear box - APPLIES TO MODELS WITH REAR AXLE SERIAL NUMBERS FROM -> (...)
1.2	2.1559.418.0	4	bushing
5	0.011.0221.3/10	1	flange
6	2.1651.912.0	2	cylindrical plug 12x28
7	2.0312.312.2	9	screw m1,5x35
8	2.1560.017.0	7	gasket 22.2 x 27
9	2.3199.001.2	7	plug 1/2" gas
17	2.3199.275.0	3	plug 23x37
22	0.012.4202.0	2	bushing 35x39x40
23	0.011.8010.0/10	1	plate
24	2.1470.006.2	10	lock washer 10
25	2.0112.309.2	10	screw m 10 p.1.5 x 25
26	0.011.8009.2/20	1	tube
27	2.0112.204.2	2	screw m 8 p.1.25x14
28	2.3170.021.2	1	plug 55
29	0.012.2361.2/20	1	tube
30	2.0112.305.2	2	screw m 10 p.1.5 x 16
31	0.012.6383.0	1	tube
32	0.012.6382.0	1	tube

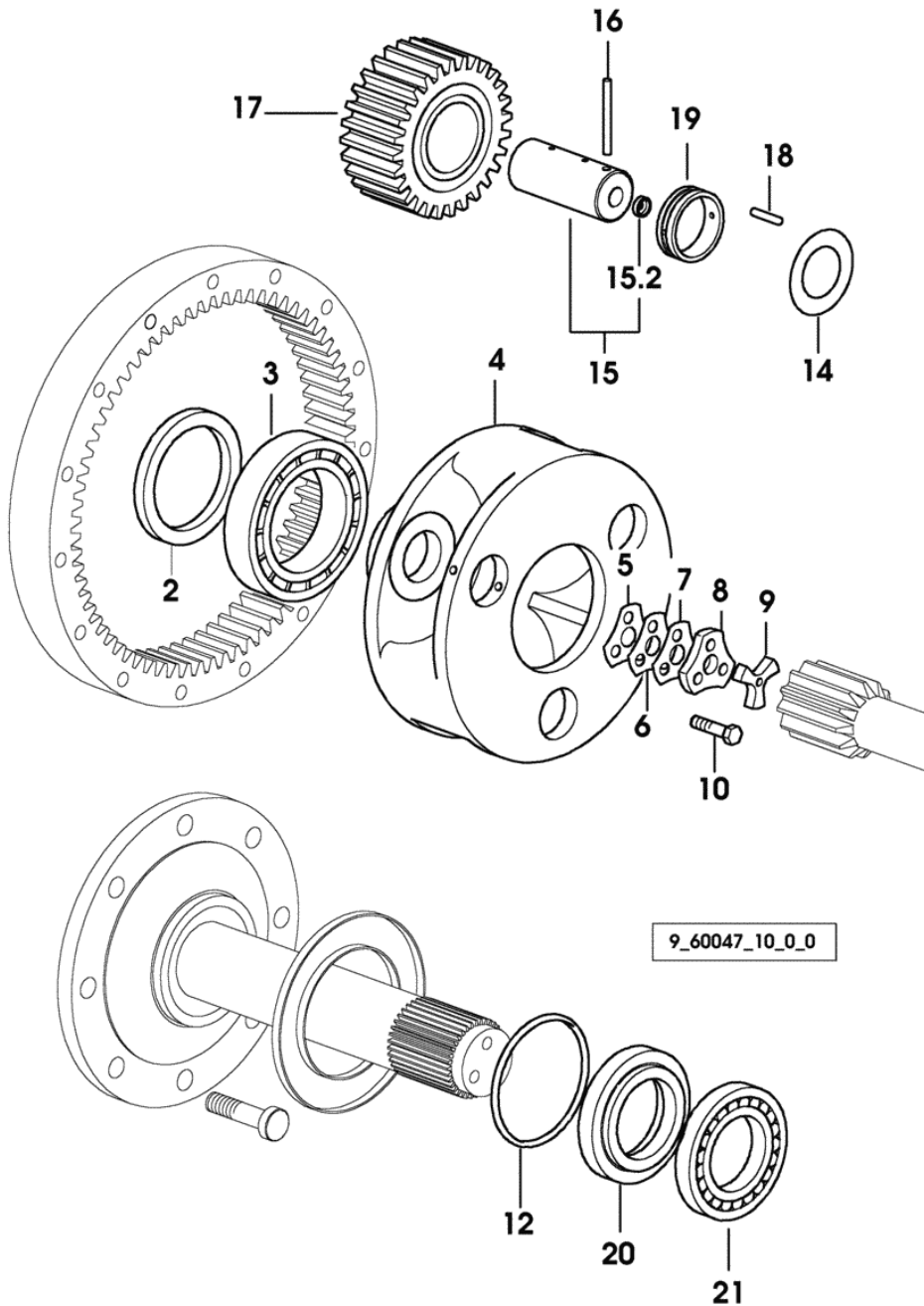


9_78331_01_0_0

Section: REAR AXLE

REAR REDUCTION GEARS AND AXLE SHAFTS

Fig.	Code	QTY	Name
2	2.1529.056.0/10	2	'o' ring Ø 110/140 x13
3	2.2510.020.0	2	roller bearing Ø 110/170 x38
4	0.008.5990.0/10	2	spider
5	0.212.4765.0	4	shim mm 1.00
6	0.212.4755.0	4	shim mm 0.20
7	0.212.4753.0	4	shim mm 0.15
8	0.212.4752.0/20	2	flange
9	0.212.4751.0	2	spacer
10	2.0139.031.7	6	screw m 12 p.1.25x60
12	2.1532.171.0	2	'o' ring 72.39x5.34
14	2.1599.675.0	12	shoulder 54.3x90x1.5
15	0.008.5992.3/10	6	pin
15.2	2.3179.010.4	2	plug 20
16	2.1630.722.0	6	roll pin 8x90
17	0.008.5991.0	6	planet gear
18	2.2999.293.0	240	roller 10 x 28
19	0.008.5993.0	6	spacer
20	0.007.7633.0/10	2	spacer
21	2.2520.018.0	2	roller bearing 85x150x30.5



Agrotron TTV-1160 -> 8062

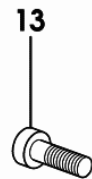
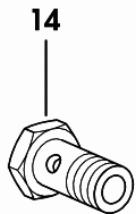
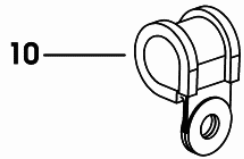
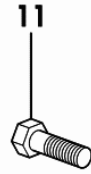
S.A.C.

GENERAL

LIFTING.....	0D.00.1
HYDRAULIC CYLINDERS.....	0D.00.2
HYDRAULIC CYLINDERS.....	0D.00.3
SENSITIVE ELEMENTS.....	0D.00.4

POWER STEERING

Fig.	Code	QTY	Name
9	01172129	1	terminal B8X15
10	01180439	2	terminal
11	01103316	1	screw m 6 p.1.0 x 16
12	01112813	1	nut m 6
13	01110529	1	screw m 6 p.1 x 35
14	01178990	1	screw
15	01118760	2	gasket 26x31



9_94663_01_0_0

GEARBOX OIL COOLER PIPES

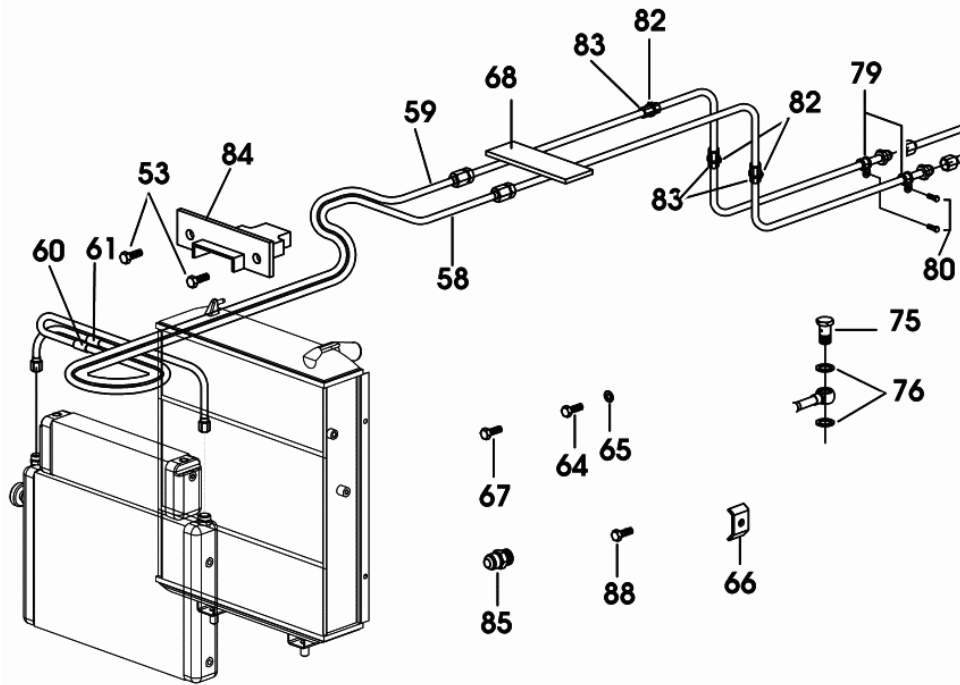
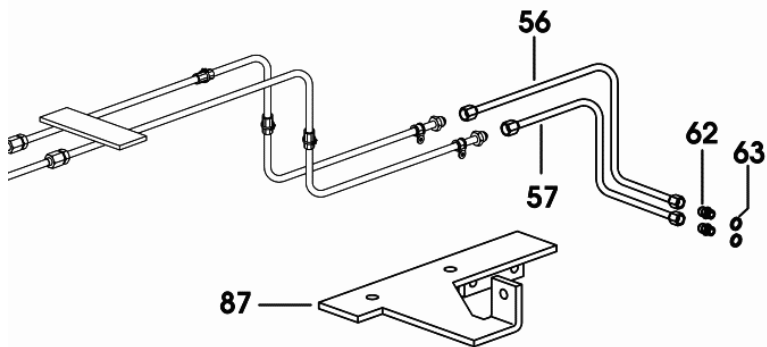


Fig.	Code	QTY	Name
53	01112326	3	screw m 8 x 22
56	04434714	1	tube
57	04434716	1	tube
58	04436581/10	1	pipng
59	04436582	1	tube
60	04436584/10	1	flexible hose
61	04436585	1	flexible hose
62	01172886	2	tongue m 26x1,5/18
63	04432362	2	'o' ring
64	01112350	1	screw m 8 x 35
65	03392102	1	washer
66	04418168	1	terminal
67	01112333	1	screw m 8 x 25, d933
68	04418166.4	1	consolle
75	01119240	1	pipe union
76	01118675	2	ring 12 x 16
79	01175586	2	hose clip
80	01103316	2	screw m 6 p.1.0 x 16
82	01172065	3	clamp 4.6 x 146
83	02382225	3	sleeve
84	04437755.4	1	plate
85	01178350	1	pipe fitting m 18 p.1.5x12
87	04436595.4	1	support
88	01112538	2	screw m 12 x 35, d933



9_94682_08_0_0

CLICK HERE TO **DOWNLOAD** THE COMPLETE MANUAL

- Thank you very much for reading the preview of the manual.
- You can download the complete manual from: www.heydownloads.com by clicking the link below



- Please note: If there is no response to CLICKING the link, please download this PDF first and then click on it.

CLICK HERE TO **DOWNLOAD** THE COMPLETE MANUAL