

AGROTRON L720

V0 - BALLAST, TOWING HITCHES

FRONT HITCHES

FRONT TOWING HITCH.....	V0.01.0 (1)
DRAWBAR COUPLING.....	V0.01.1 (1)

REAR HITCHES

REAR GEARBOX BRACKETS.....	V0.02.0 (1)
REAR TOWING HITCH BRACKET.....	V0.02.1 (1)
REAR TOWING HITCH BRACKET PITON FIX.....	V0.02.2 (1)
REAR TOWING HITCH CEE.....	V0.02.3 (2)
DRAWBAR COUPLING.....	V0.02.4 (1)
REAR TOWING HITCH.....	V0.02.5 (1)
DRAWBAR COUPLING AUTOM. Ø 38.....	V0.02.6 (2)
REAR TOWING HITCH CAT. " C ".....	V0.02.7 (2)
REAR TOWING HITCH CAT. " D2 ".....	V0.02.8 (1)
REAR TOWING HITCH CAT: "D3".....	V0.02.9 (2)
THREADED INSERTS FOR PICK-UP-HITCH LEVER.....	V0.02.10 (1)
PICK-UP-HITCH.....	V0.02.11 (1)
TOWING BAR.....	V0.02.12 (1)
TOWING BAR.....	V0.02.13 (1)
TOWING BAR.....	V0.02.14 (1)
PICK-UP-HITCH.....	0.012.7303.4.A
REAR TOWING HITCH CAT: "C".....	0.014.4450.3.A
DRAWBAR COUPLING.....	0.014.4453.3/10.A
DRAWBAR COUPLING.....	0.014.4454.3/20.A
DRAWBAR COUPLING.....	0.014.4455.3.A
DRAWBAR COUPLING D2.....	0.014.4461.3.A
CHASSIS.....	0.014.8205.4/10.A
DRAWBAR COUPLING.....	0.014.8206.3.A
CHASSIS.....	0.014.8207.3.A
SLIDE.....	0.014.8222.3.A

FRONT BALLAST WEIGHTS

FRONT BALLAST 320 Kg.....	V0.03.0 (1)
FRONT WEIGHT CARRIER.....	V0.03.2 (1)
FRONT BALLAST 1000 Kg.....	V0.03.5 (1)
FRONT BALLAST 1000 Kg.....	V0.03.6 (1)
FRONT BALLAST 1000 Kg.....	V0.03.6 (2)

CLICK HERE TO **DOWNLOAD** THE COMPLETE MANUAL

- Thank you very much for reading the preview of the manual.
- You can download the complete manual from: www.heydownloads.com by clicking the link below



- Please note: If there is no response to CLICKING the link, please download this PDF first and then click on it.

CLICK HERE TO **DOWNLOAD** THE COMPLETE MANUAL

AGROTRON L720

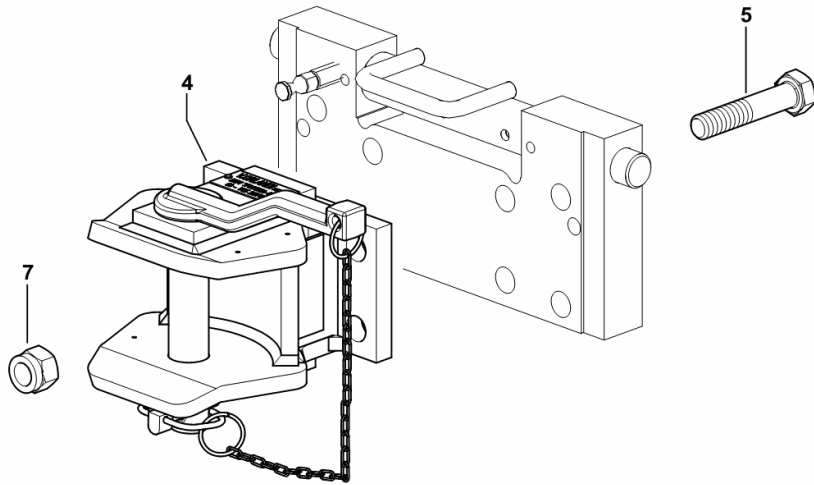
Section: V0 - BALLAST, TOWING HITCHES
REAR TOWING HITCH CAT. " C "

Ref.: V0.02.7 (2)

Fig.	Code	QTY	Name
------	------	-----	------

Notes:
[AGROTRON L720]

4	0.014.4450.3	1	tow hook V.ORLANDI CAT. " C " ☞ 0.014.4450.3
5	2.0112.727.2	4	screw m 18 p.2.5 x 90
7	2.1129.014.2	4	nut m 18 p.2.5



9_64831_70_0-A-002

REAR TOWING HITCH CAT: "C"

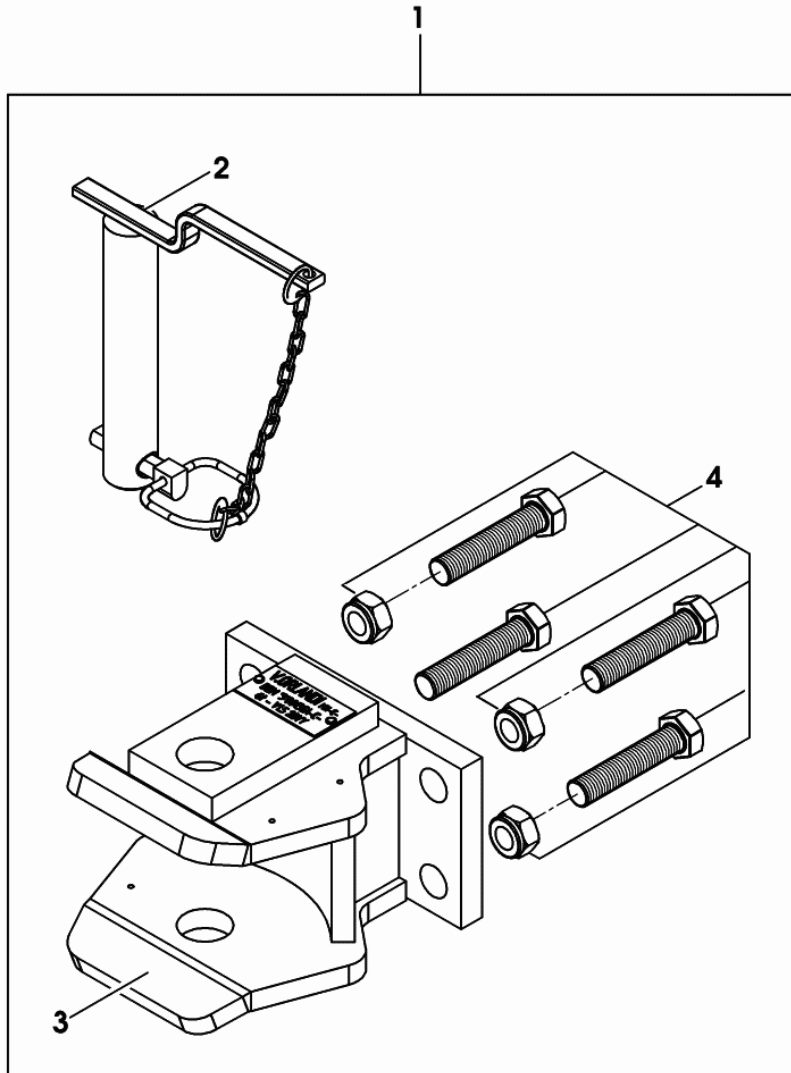


Fig.	Code	QTY	Name
1	0.014.4450.3	1	tow hook V.ORLANDI CAT. " C "
2	0.900.0457.9	1	pin
3	0.000.0000.1	0	not serviceable
4	0.900.0458.0	1	screw m 18, kit

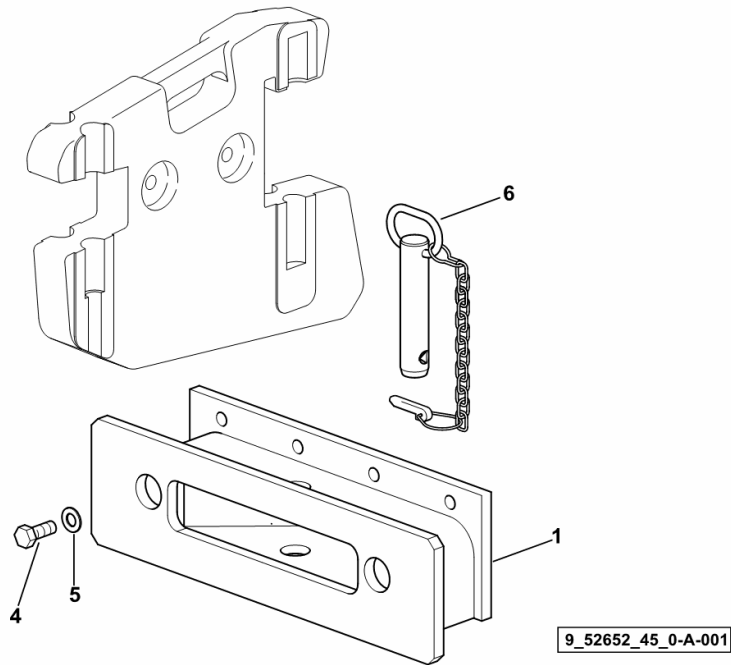
0_014_4450_3

FRONT WEIGHT CARRIER

Fig.	Code	QTY	Name
------	------	-----	------

Notes:
[AGROTRON L720]

1	0.011.7377.2/10	1	support
4	2.0112.515.2	6	screw m 14 p.2 x 40
5	2.1310.009.2	6	flat washer 14
6	0.96309.51.3	1	pin Ø 32



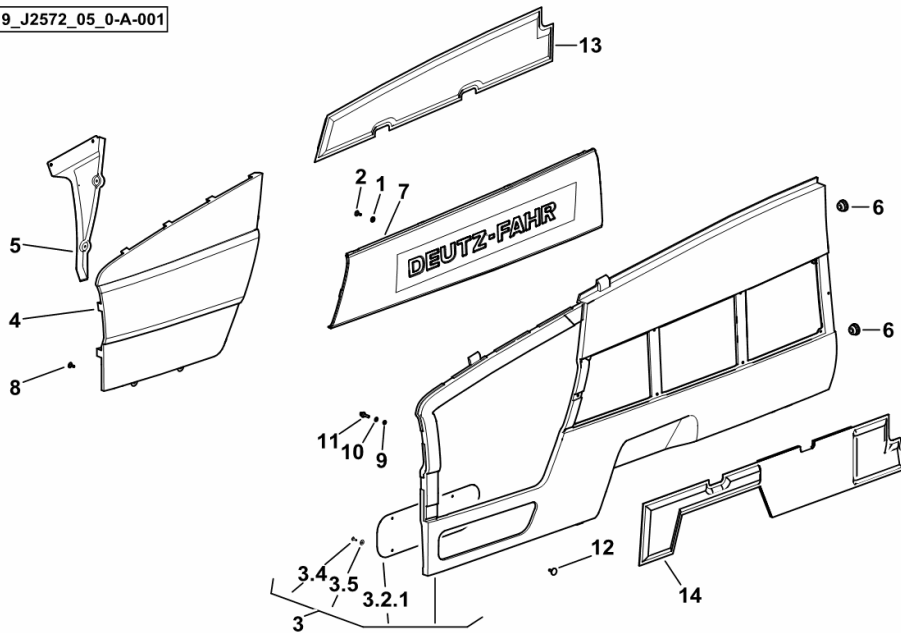
Section: G0 - BODYWORK - CAB
HOOD - LEFT SIDE PANEL

Fig.	Code	QTY	Name
------	------	-----	------

Notes:
 [AGROTRON L720]

1	2.1312.002.2	10	washer 5
2	2.1899.074.0	10	rivet 4.7
3	0.015.5898.3	1	lift hand side panel
3.2.1	0.015.5762.0	1	grille
3.4	2.0350.153.3	6	screw 2.9x9.5
3.5	2.1310.028.2	6	flat washer 4
4	0.015.5740.4	1	grille sx/lh/li
5	0.011.6338.0	1	baffle sx/lh/li
6	0.010.8198.0	2	rubber plug
7	0.015.5755.4	1	grille sx/lh/li
8	2.0363.105.2	11	screw m 4
9	2.1475.201.2	2	washer 6.4x12
10	2.1011.203.2	2	nut m 6 p.1
11	0.010.8306.0	2	pin
12	0.467.7693.0	1	block
13	0.013.9762.0	1	panel sx/lh/li
14	0.015.5892.3	1	panel

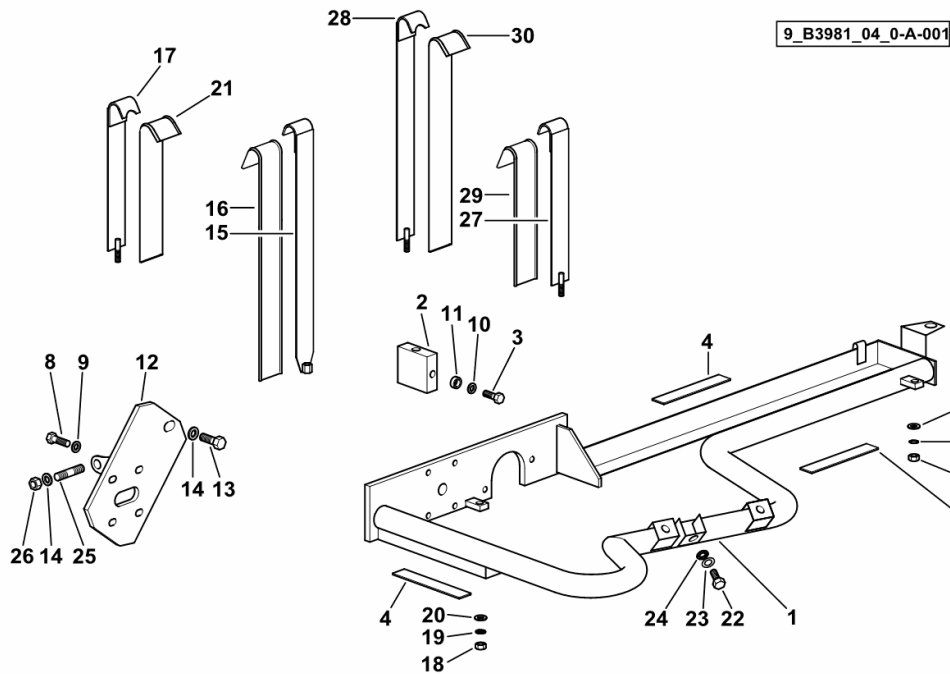
9_J2572_05_0-A-001



TANK SUPPORTS

Fig.	Code	QTY	Name
------	------	-----	------

Notes:
[AGROTRON L720]



1	0.011.2639.3/40	1	tank support
2	0.010.6975.0/10	1	universal joint
3	2.0112.513.2	4	screw m 14 p.2 x 35
4	0.009.3109.0	22	shim
5	2.1310.006.2	2	flat washer 10.5
6	2.1011.106.2	2	nut m 10 p.1.5
7	2.1470.006.2	2	lock washer 10
8	2.0112.415.2	4	screw m 12 p.1.75 x 40
9	2.1475.004.2	4	washer 12
10	2.1475.005.2	4	washer 14
11	2.1579.704.2/10	4	spacer 16.1x24x9
12	0.011.2677.2/40	1	bracket
13	2.0112.613.2	1	screw m 16 p.2x35
14	2.1310.010.2	4	flat washer 16
15	0.011.0528.2	1	hose clip
16	0.011.2746.0	1	gasket
17	0.011.0523.2	1	hose clip
18	2.1011.106.2	1	nut m 10 p.1.5
19	2.1470.006.2	1	lock washer 10
20	2.1310.006.2	1	flat washer 10.5
21	0.011.2745.0	1	gasket
22	2.0112.319.2	1	screw m 10 p.1.5 x 50
23	2.1310.006.2	1	flat washer 10.5
24	2.1470.006.2	1	lock washer 10
25	2.0422.603.2	3	stud bolt m 16 p.2x20
26	2.1011.209.2	3	nut m 16 p.2
27	0.011.8181.2	1	hose clip
28	0.011.9131.2	1	hose clip
29	0.011.8184.0	1	gasket
30	0.011.8185.0	1	gasket

SPEED LABEL - 40 KM/H - REFLEX

Fig.	Code	QTY	Name
------	------	-----	------

Notes:

- ITALY [AGROTRON L720]

1	0.010.9969.0	1	disc 40 KM/H
---	--------------	---	--------------



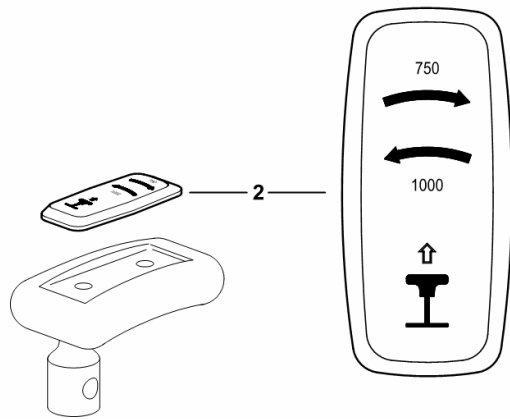
9_70576_04_0-A-001

Fig.	Code	QTY	Name
------	------	-----	------

Notes:
[AGROTRON L720]

2	0.012.3607.0/20	1	plate 750 - 1000
---	-----------------	---	------------------

9_11368_05_0-A-001

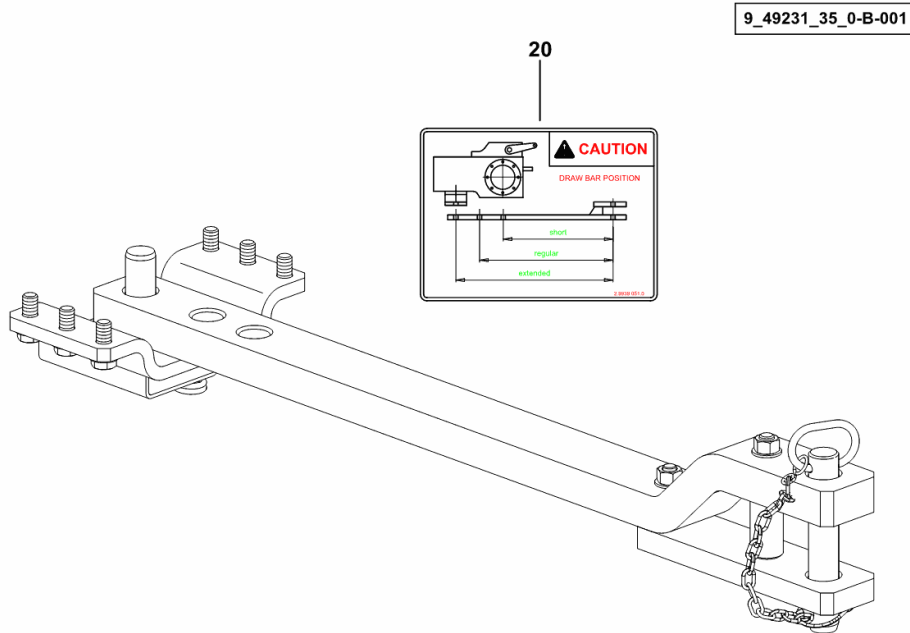


DRAWBAR IDENTIFICATION PLATE

Fig.	Code	QTY	Name
------	------	-----	------

Notes:
 - SAE CATEGORY [AGROTRON L720]

20	2.9939.051.0	1	plate
----	--------------	---	-------

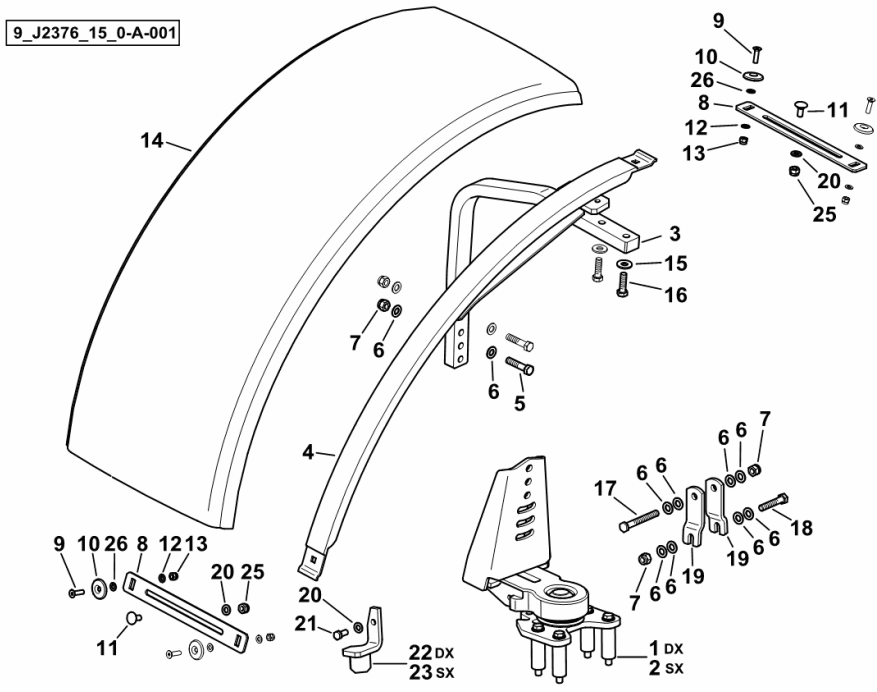


SELF-ADJUSTING FRONT FENDERS - MM 470

Fig.	Code	QTY	Name
------	------	-----	------

Notes:
[AGROTRON L720]

1	0.015.7391.4	1	support dx/rh/re ☞ 0.015.7391.4
2	0.015.7394.4	1	support sx/lh/li ☞ 0.015.7394.4
3	0.015.7390.0	2	arm
4	0.015.7383.3	2	support
5	2.0112.420.2	4	screw m 12 p.1.75x55
6	2.1475.004.2	24	washer 12
7	2.1120.007.2	10	nut m 12 p.1.75
8	0.012.3223.0	4	plate
9	2.0349.002.3	8	screw m 8 p.1.25 x 30
10	2.1399.020.0/10	8	washer
11	2.0020.306.2	4	screw m 10 x 25
12	2.1475.002.2	8	conical washer 8
13	2.1120.005.2	8	nut m 8 p.1.25
14	0.010.1729.0	2	fender mm 470
15	2.1475.004.2	4	washer 12
16	2.0112.415.2	4	screw m 12 p.1.75 x 40
17	2.0399.281.2	2	screw m 12 p.1.75x100
18	2.0112.422.2	2	screw m 12 p.1.75 x 65
19	0.012.3220.0	4	bracket
20	2.1475.003.2	6	washer 10
21	2.0112.309.2	2	screw m 10 p.1.5 x 25
22	0.012.3221.2	1	bracket dx/rh/re
23	0.012.3218.2	1	bracket sx/lh/li
25	2.1120.006.2	4	nut m 10 p.1.5
26	2.1310.004.2	8	flat washer 8.5



0_015_7391_4

FRONT FENDER SUPPORT dx/rh/re

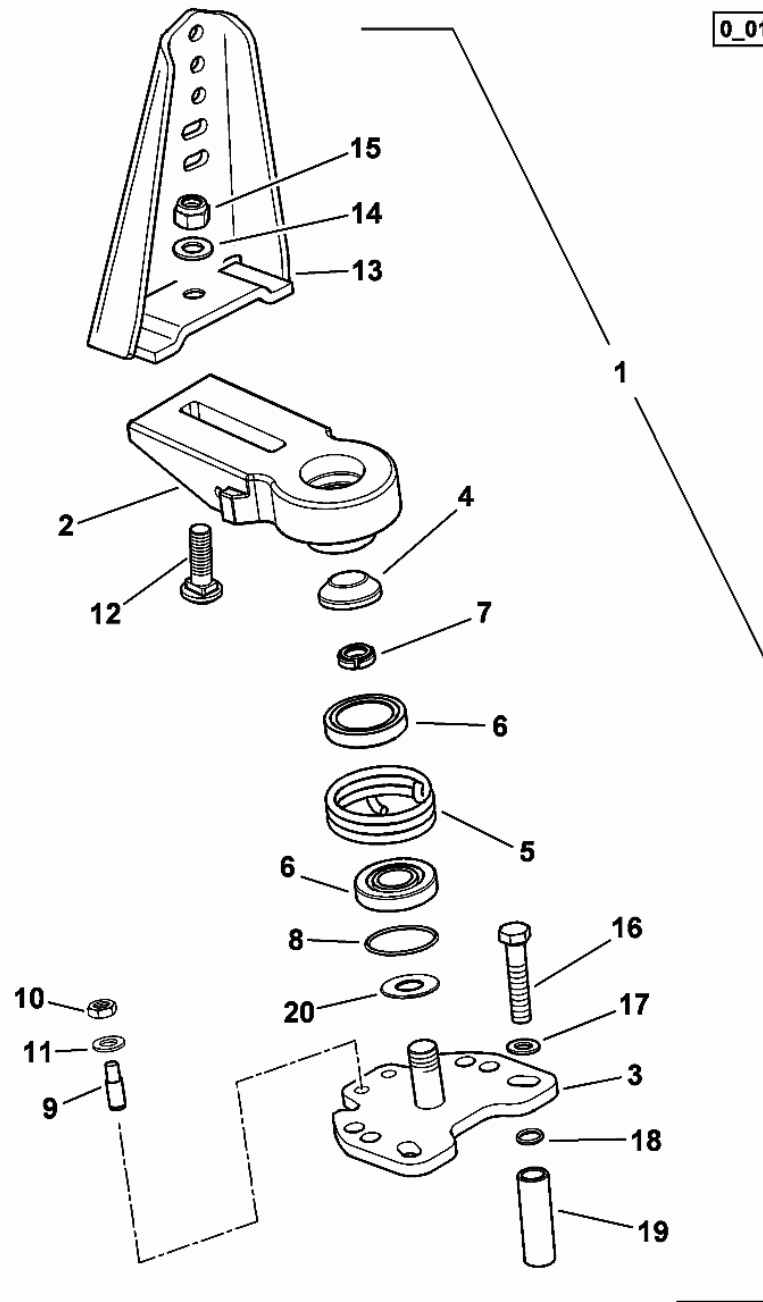


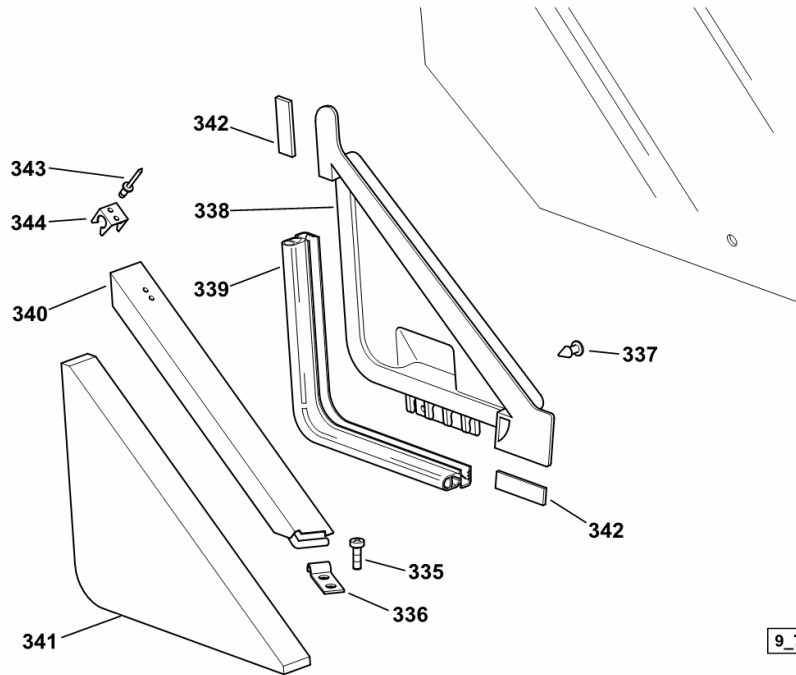
Fig.	Code	QTY	Name
1	0.015.7391.4	1	support dx/rh/re
2	0.000.0000.1	1	not serviceable
3	0.000.0000.1	1	not serviceable
4	0.012.3201.0/10	1	cover
5	2.4099.142.2	1	spring dx/rh/re
6	2.2999.446.0	2	bearing
7	2.1220.006.2	1	ring nut m 25 x 1,5
8	2.1530.140.0	1	rubber ring 56.82x2.62
9	2.0599.113.2	1	grain m 14 p.1.5
10	2.1011.508.2	1	nut m 14 p.1.5
11	2.1475.005.2	1	washer 14
12	2.0029.510.2	1	screw m18x50
13	0.015.6837.3	1	support
14	2.1310.011.2	1	flat washer 19x34
15	2.1120.210.2	1	selflock nut m 18 p.1.5
16	2.0112.429.2	4	screw m 12 p.1.75x100
17	2.1475.004.2	4	washer 12
18	0.013.1841.0	4	spacer 8x22x10
19	2.1549.556.2	4	spacer 19x27x70
20	0.015.7393.0	1	shim

Section: G0 - BODYWORK - CAB
KNOCKOUT WINDOW REAR

Fig.	Code	QTY	Name
------	------	-----	------

Notes:
 [AGROTRON L720]

335	04413811	4	screw m 6 p.1.0 x 16
336	04419380.4	1	hinge
337	2.1899.075.0	2	button 6.5x14.5
338	04423612	1	fin
339	1.0139.6762	0.45	gasket
340	0.013.0848.4	1	chassis frame
341	04419385	1	sound deadening
342	01395781	2	gasket
343	2.1855.010.0	2	rivet 3.4
344	04419297/10	1	small spring



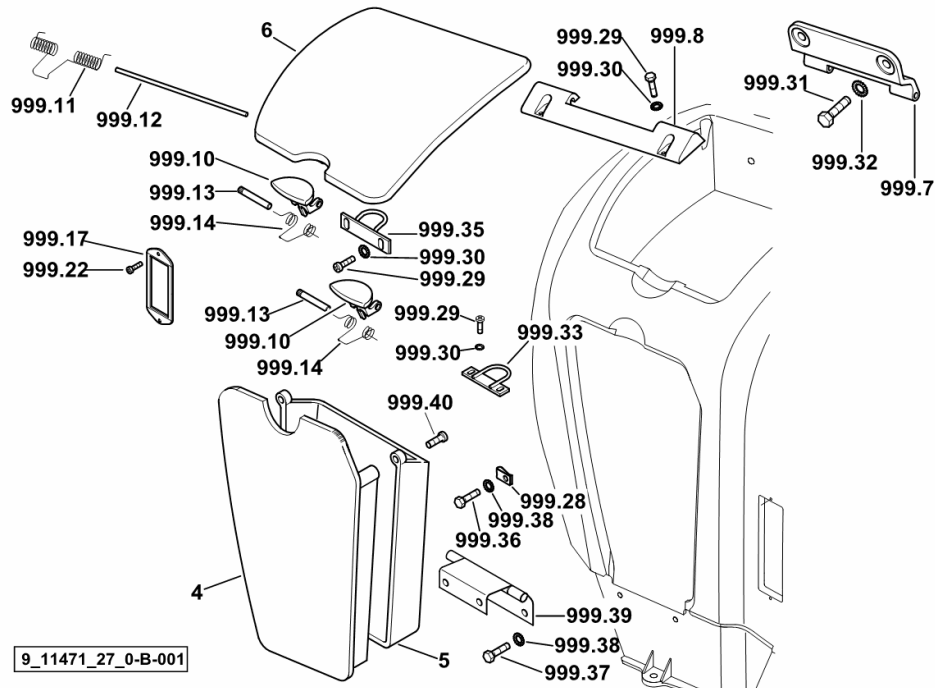
9_73771_10_0-J-001

Section: G0 - BODYWORK - CAB
CONTROL CONSOLE sx/lh/li

Fig.	Code	QTY	Name
------	------	-----	------

Notes:
 [AGROTRON L720]

4	0.010.9990.2	1	glove pocket
5	0.010.9991.0	1	glove pocket
6	0.010.9989.3	1	cover
999.7	0.010.9987.0	1	hinge
999.8	0.010.9988.0/10	1	hinge
999.10	0.010.9955.0	2	handle
999.11	2.4099.135.2	1	spring
999.12	2.1659.520.3	1	pin
999.13	2.1699.510.3	2	pin
999.14	2.4099.120.3/10	2	spring
999.17	0.011.7923.0	1	frame
999.22	2.0350.556.3	2	screw m 4.8 x 19 - C
999.28	2.6999.064.6	2	special nut m 6
999.29	2.0332.202.3	8	screw m 4 p.0.7x8
999.30	2.1310.028.2	8	flat washer 4
999.31	2.0112.005.2	2	screw m 6 p.1 x 16
999.32	2.1310.002.2	2	washer 6.6, d125
999.33	0.010.9993.2/10	1	bracket sx/lh/li
999.35	0.010.9994.2	1	small plate
999.36	2.0112.011.2	2	screw m 6 p.1x30
999.37	2.0112.007.2	2	screw m 6 p.1 x 20
999.38	2.1470.002.2	4	washer 6, d128
999.39	0.010.9992.2	1	hinge
999.40	2.0363.210.3	3	screw m 5 x 35



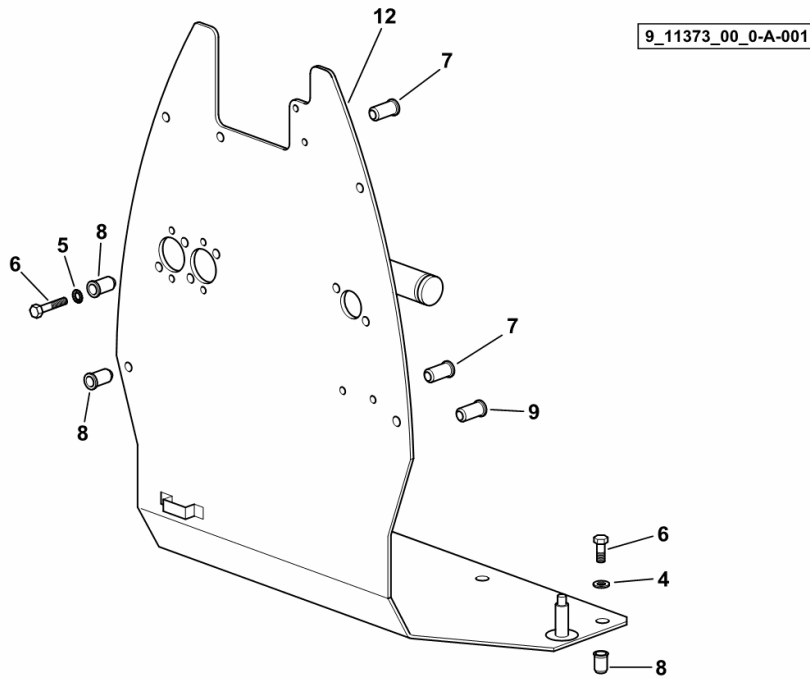
PEDAL SUPPORT

Fig.	Code	QTY	Name
------	------	-----	------

Notes:

[AGROTRON L720]

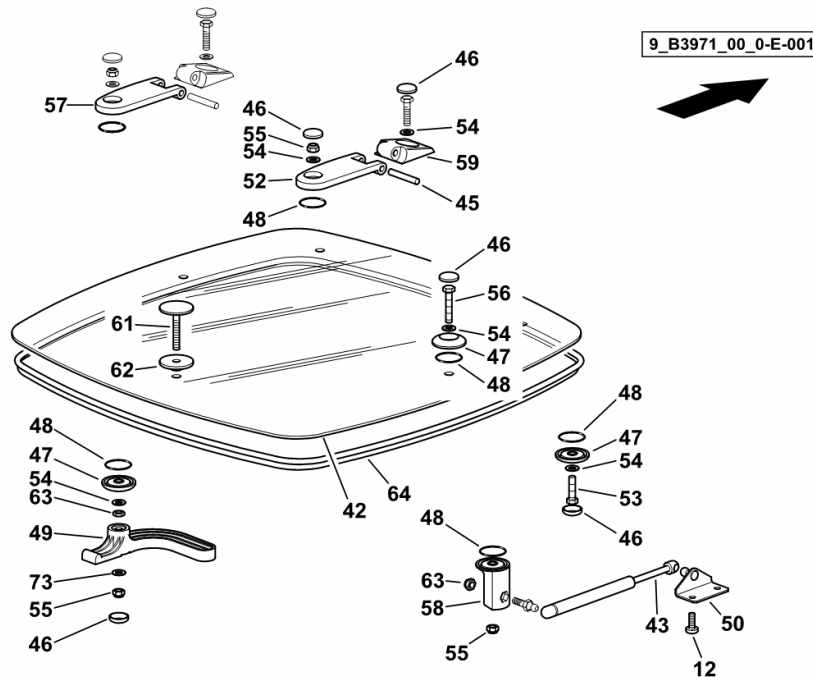
4	2.1312.004.2	4	washer 8.4
5	2.1470.004.2	9	washer 8
6	2.0112.207.2	13	screw m 8 p 1.25 x 20
7	2.1142.010.2	4	insert m 6
8	2.1142.011.2	15	insert m 8
9	2.1142.012.2	1	insert m10
12	0.011.2300.3/40	1	support



ROOF - SKYLIGHT

Fig.	Code	QTY	Name
------	------	-----	------

Notes:
[AGROTRON L720]



12	2.0363.306.3	15	screw m 6x18
42	0.010.6476.0/10	1	window glass
43	04414159	2	shoch.absorber
45	2.1699.486.2	2	pin
46	04413793	11	cap
47	04411716	5	washer
48	2.1530.078.0	9	'o' ring 29.74x3.53
49	0.010.6477.0	1	handle
50	0.010.7739.3	2	support
52	0.010.7525.0	1	hinge dx/rh/re
53	2.0112.210.2	2	screw m 8 p.1.25 x 28
54	2.1310.004.2	3	flat washer 8.5
55	2.1120.105.2	9	selflock nut m 8 p.1.25
56	2.0112.215.2	2	screw m 8 p.1.25 x 40
57	0.010.6479.0	1	hinge sx/lh/li
58	0.010.7738.0/10	2	support
59	0.010.6480.0	2	hinge
61	0.010.7736.2	1	screw
62	0.010.7737.0	1	gasket
63	2.1011.105.2	3	nut m 8 p.1.25
64	0.010.8352.0	1	gasket
73	2.1312.004.2	11	washer 8.4

Section: G0 - BODYWORK - CAB
SEAT-COMPONENTS

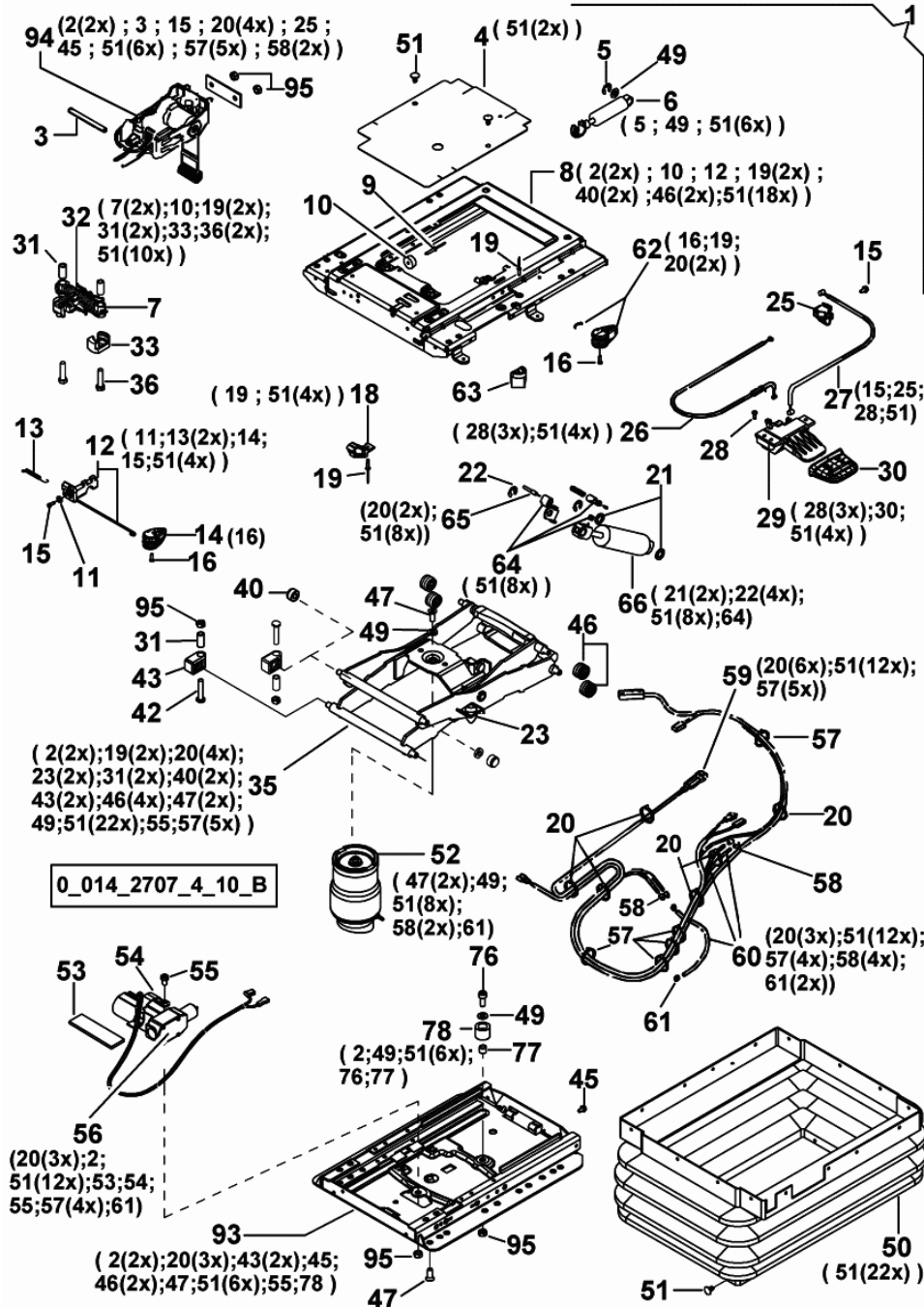
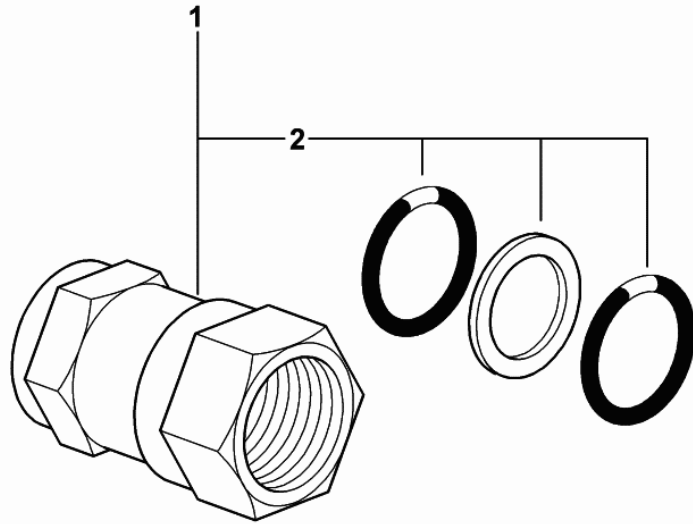


Fig.	Code	QTY	Name
1	0.010.3076.0	1	seat springs
3	0.000.0000.1	1	not serviceable
4	0.010.2277.1	1	cover
5	0.010.3523.0	1	circlip
6	0.900.0133.6	1	shoch.absorber
7	0.010.2956.0	2	bushing
8	0.900.0134.4	1	casing
9	0.010.3523.1	1	rivet
10	0.900.0133.7	1	stop
11	0.010.3151.1	1	washer
12	0.900.0133.9	1	lever
13	0.900.0133.8	2	spring
14	0.010.2077.2	1	knob
15	0.010.3523.2	2	screw
16	04402564	2	screw
18	0.010.2271.2	2	ring
19	04418256	3	rivet
20	04418251	9	metal strap
21	0.000.0000.1	2	not serviceable
22	0.010.3526.0	2	circlip
23	0.010.2275.1	2	stop
25	04402582	1	support
26	0.010.2272.0	1	wire
27	0.010.3077.0	1	wire
28	0.010.2943.1	3	screw
29	0.010.2272.2	1	lever
30	0.010.3526.1	1	grip
31	0.010.2955.2	4	tube
32	0.900.0134.0	1	seat support
33	0.010.2956.1	1	support
35	0.900.0131.5	1	chassis frame
36	0.900.0131.4	2	screw
40	0.010.3526.2	2	roller
42	0.000.0000.1	2	not serviceable
43	0.010.2959.1	2	support
45	0.000.0000.1	1	not serviceable
46	04402577	4	roller
47	0.000.0000.1	2	not serviceable
49	0.000.0000.1	3	not serviceable
50	0.010.3907.2	1	guard
51	0.000.0000.1	24	not serviceable
52	0.900.0131.6	1	spring
53	0.000.0000.1	1	not serviceable
54	0.000.0000.1	1	not serviceable

Fig.	Code	QTY	Name
1	0.009.7203.4/20	1	connection 7/8"-20UN
2	0.900.0267.9	1	seal ring kit 1.78x18.77



0_009_7203_4_20

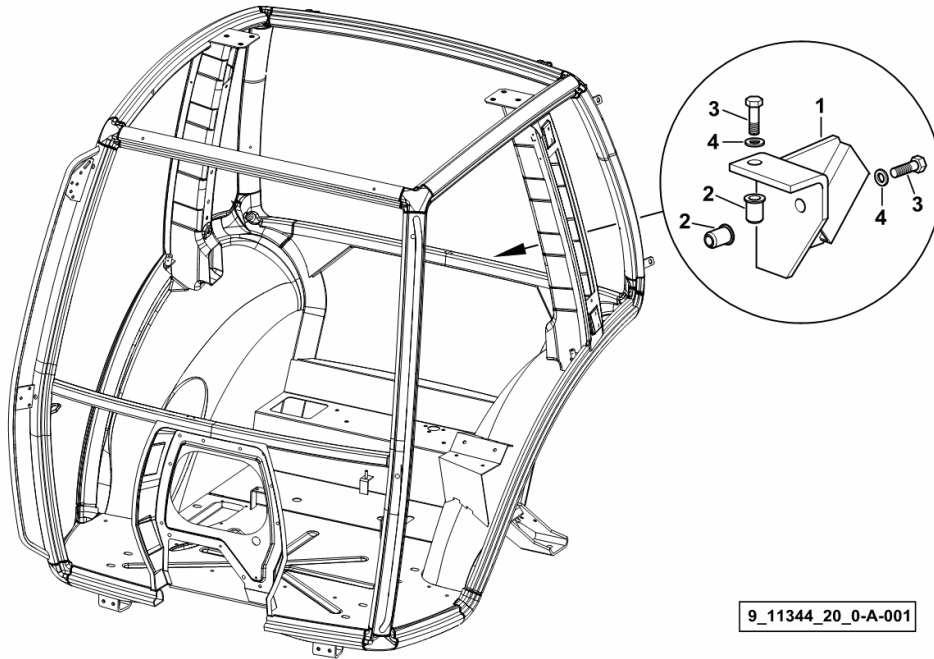
HANDBRAKE SUPPORT FOR TRAILER

Fig.	Code	QTY	Name
------	------	-----	------

Notes:

- ITALY [AGROTRON L720]

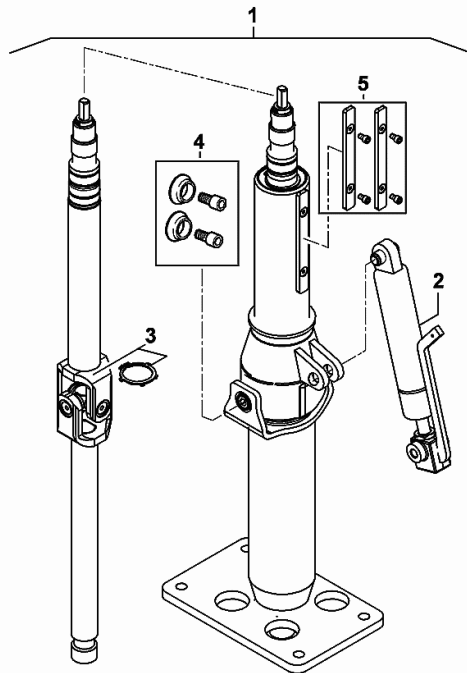
1	0.011.4447.2	1	support
2	2.1142.012.2	2	insert m10
3	2.0112.311.2	2	screw m 10 p.1.5 x 30
4	2.1475.003.2	2	washer 10



9_11344_20_0-A-001

STEERING COLUMN

Fig.	Code	QTY	Name
1	0.014.8753.4	1	steering column
2	0.010.3701.1	1	spring
3	0.900.0454.8	1	shaft </td
4	0.900.0129.2	1	pin
5	0.010.3701.0	1	dowel

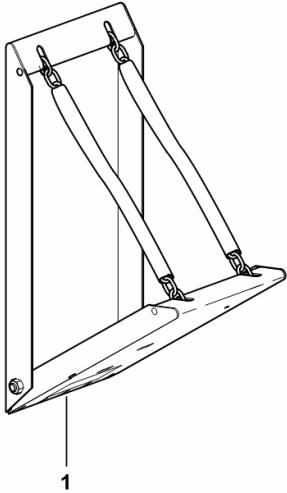


CHOCK

Fig.	Code	QTY	Name
------	------	-----	------

Notes:
[AGROTRON L720]

1	04415868/10	1	stop
---	-------------	---	------



9_52676_10_0-A-001

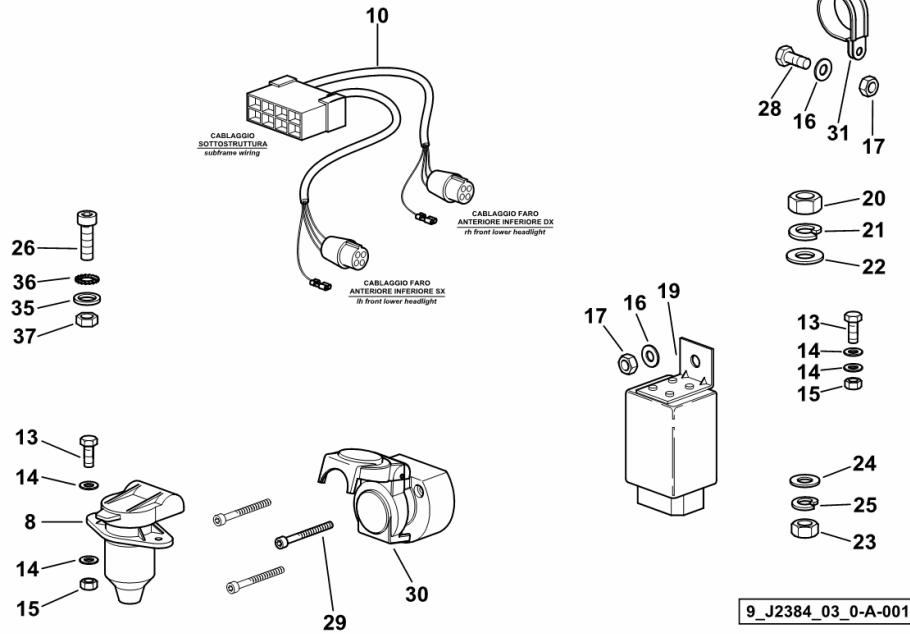
WIRING FOR HEADLIGHTS IN BASSO

Fig.	Code	QTY	Name
------	------	-----	------

Notes:

[AGROTRON L720]

8	2.6039.020.0	1	socket DIN 9680
10	0.015.4030.4/10	1	electrical system
13	2.0332.306.2	4	screw m 5x0.8x16
14	2.1310.001.2	9	flat washer 5.3
15	2.1011.102.2	5	nut m 5 p.0.7
16	2.1310.002.2	3	washer 6.6, d125
17	2.1011.103.2	3	nut m 6 p.1
19	2.8639.011.0	1	blinker 12V, 21W (2+1+1)
20	2.1011.421.2	2	nut m 10 p.1.25
21	2.1474.010.2	2	washer 10
22	2.1310.006.2	4	flat washer 10.5
23	2.1011.205.2	2	nut m 8 p.1.25
24	2.1310.004.2	4	flat washer 8.5
25	2.1474.009.2	2	spring washer 8
26	2.0312.804.3	2	screw m 3x16
28	2.0112.007.2	1	screw m 6 p.1 x 20
29	2.0312.016.2	3	screw m 5x50
30	2.6030.011.0	1	socket
31	2.6839.068.0	1	clamp Ø 27
35	2.1310.029.2	2	washer
36	2.1470.053.2	2	washer 3
37	2.1040.101.7	2	nut m 3



9_J2384_03_0-A-001

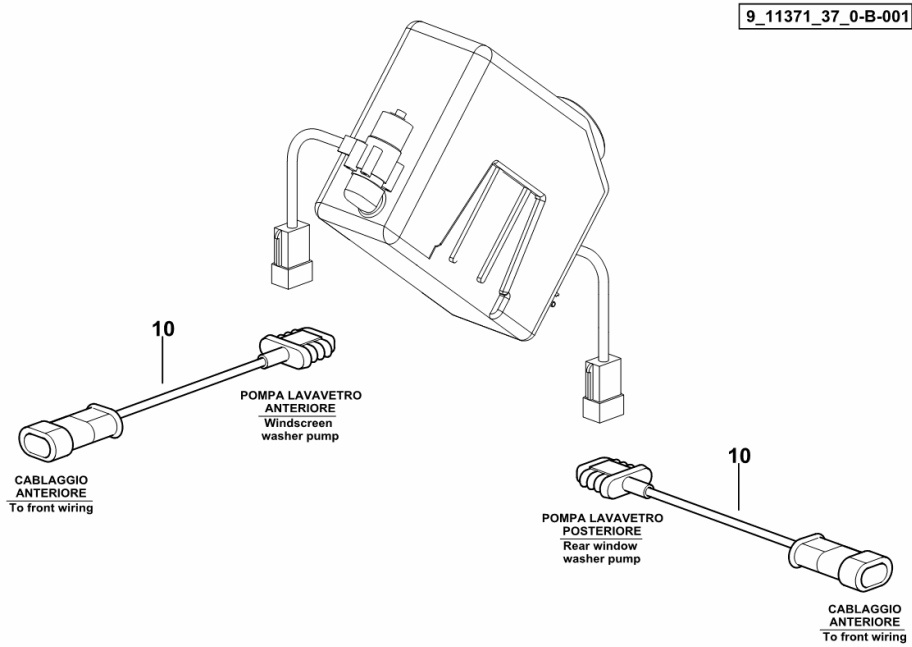
COOLANT TANK ELECTRIC CABLE

Fig.	Code	QTY	Name
------	------	-----	------

Notes:

WITH COMPRESSED-AIR SYSTEM [AGROTRON L720]

10	0.011.6007.3	2	wire
----	--------------	---	------



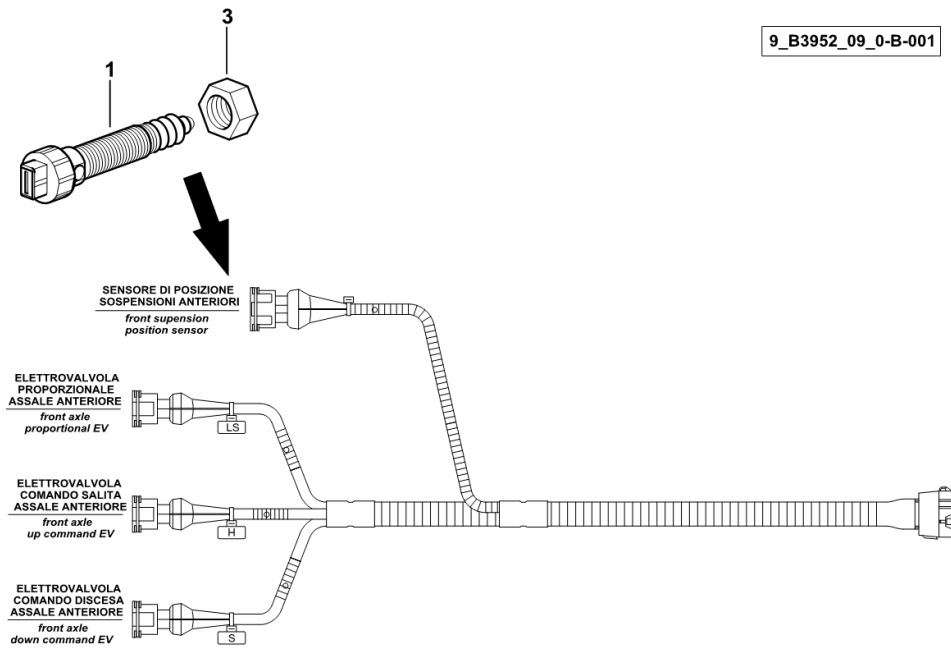
FRONT SUSPENSION POSITION SENSOR

Fig.	Code	QTY	Name
------	------	-----	------

Notes:

- WITH SUSPENDED AXLE [AGROTRON L720]

1	0.009.2194.4/20	1	sensor
3	2.1019.106.1	2	nut m 24 p.1.5 x 10



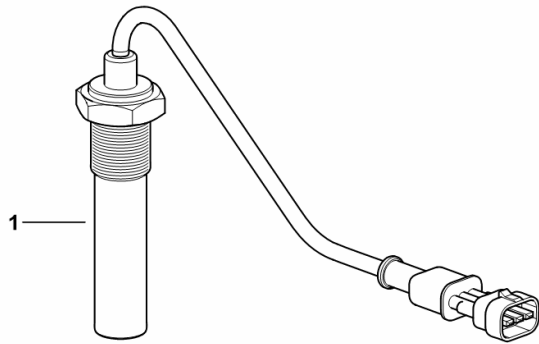
SPEED SENSOR

Fig.	Code	QTY	Name
------	------	-----	------

Notes:
[AGROTRON L720]

1	2.7099.996.0	1	sensor
---	--------------	---	--------

9_11384_60_0-A-001



REAR LIFT POSITION SENSOR

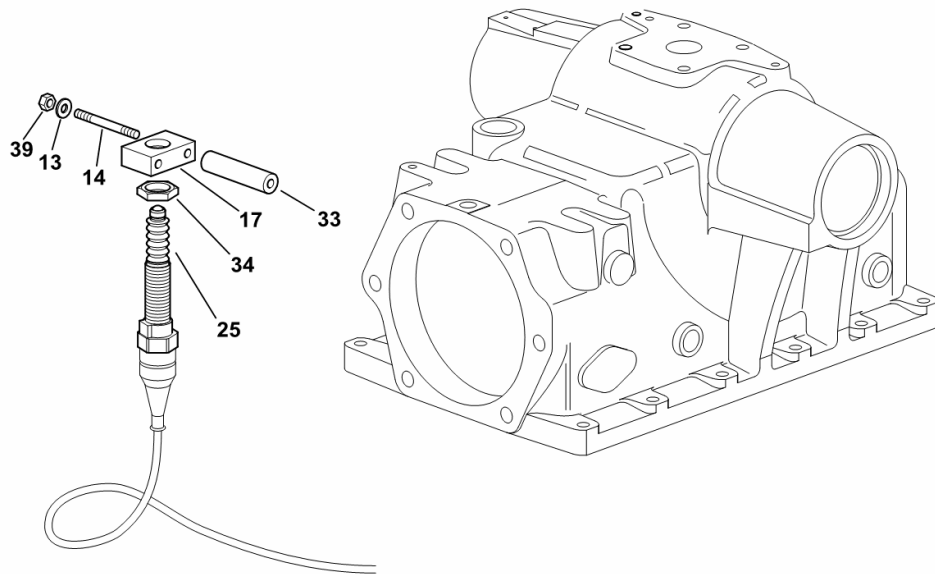
Fig.	Code	QTY	Name
------	------	-----	------

Notes:

[AGROTRON L720]

13	2.1470.004.2	2	washer 8
14	2.0432.029.7	2	stud bolt m 8 p.1.25-1x140
17	0.009.2192.0/10	1	support
25	0.009.2194.4/20	1	sensor
33	2.1549.028.2	2	spacer 8.5x20x85
34	2.1019.106.1	1	nut m 24 p.1.5 x 10
39	2.1011.305.2	2	nut m 8 p.1 x 8

W9_11359_01_0-B-001

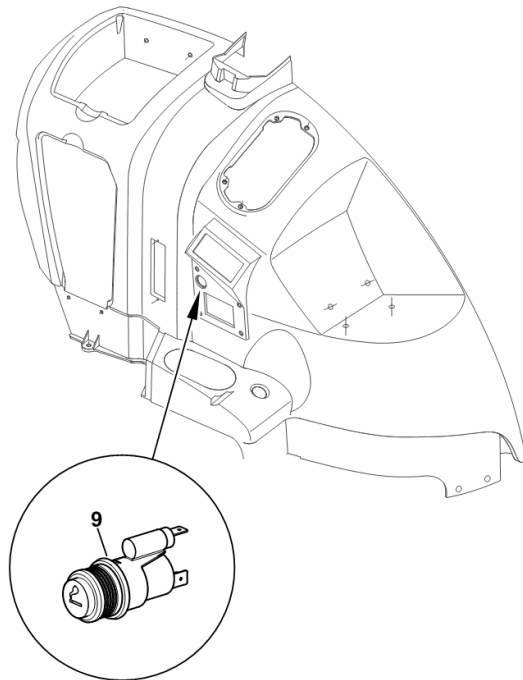


CIGAR LIGHTER

Fig.	Code	QTY	Name
------	------	-----	------

Notes:
[AGROTRON L720]

9	2.7099.770.0	1	cigar lighter
---	--------------	---	---------------



9_J2384_03_0-E-001

AIR CONDITIONER PARTS

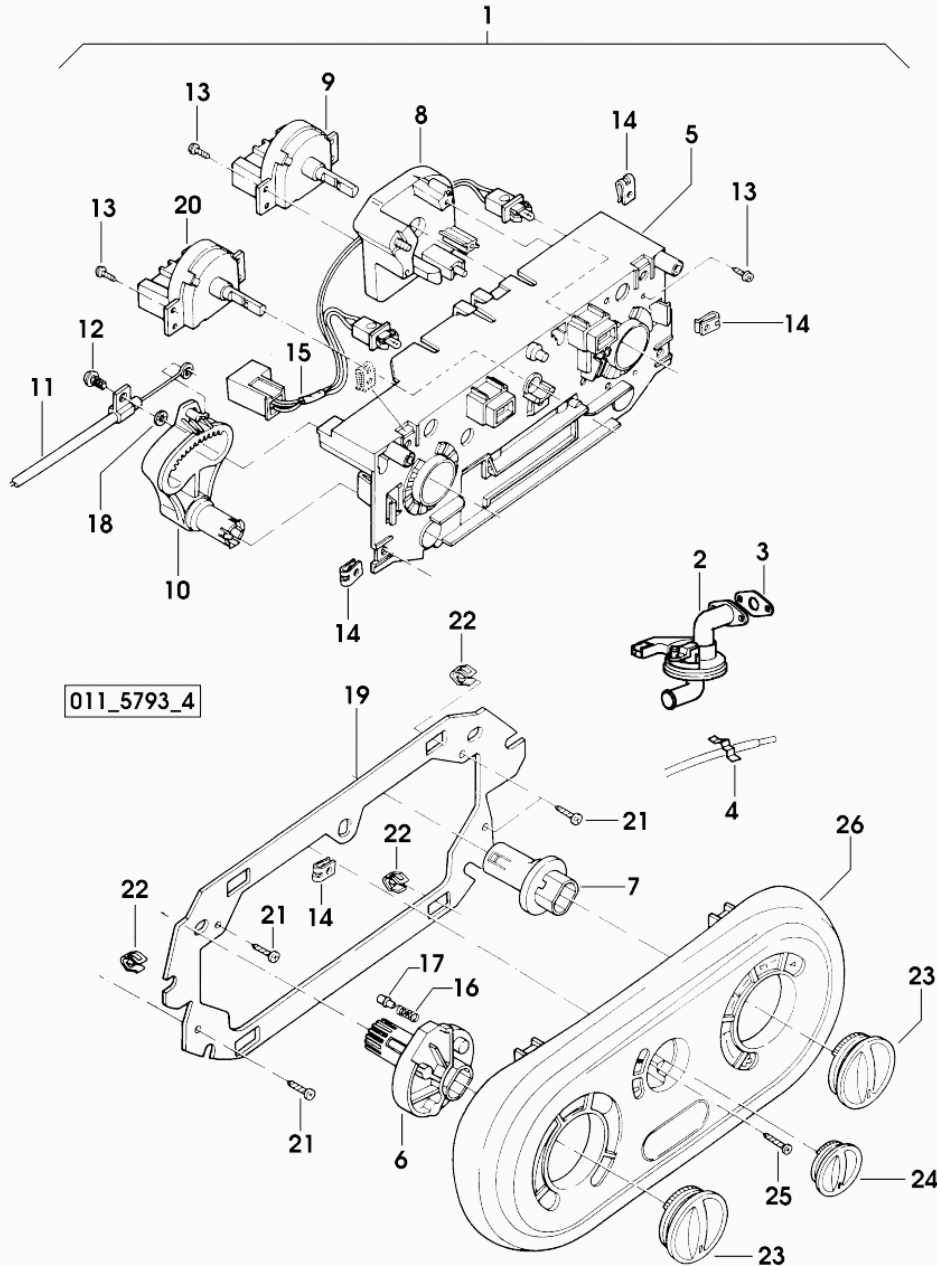


Fig.	Code	QTY	Name
1	0.011.5793.4	1	control grp.
2	0.010.2526.0	1	cock or tap
3	0.010.2526.1	1	gasket
4	0.010.2526.2	1	small spring
5	0.010.2527.0	1	support
6	0.010.2527.1	1	pin
7	0.010.2527.2	1	pin dx/rh/re
8	0.010.2528.0	1	support
9	0.010.2528.1	1	switch
10	0.010.2528.2	1	lever
11	0.010.2529.0	1	transmission
12	0.010.2529.1	1	screw m 5 x 16
13	0.010.2529.2	7	screw m 3x10
14	0.010.2530.0	5	small spring
15	0.010.2530.1	1	wire
16	0.010.2530.2	1	spring
17	0.010.2531.0	1	cap
18	0.010.2531.1	1	washer 4x8
19	0.010.2531.2	1	bracket
20	0.010.2532.0	1	switch
21	0.010.2119.2	4	screw 4 x 12
22	0.010.2532.1	4	small spring
23	0.010.2532.2	2	knob
24	0.010.2533.0	1	knob
25	0.010.2533.1	1	screw m 3.5x13
26	0.010.2533.2	1	cover

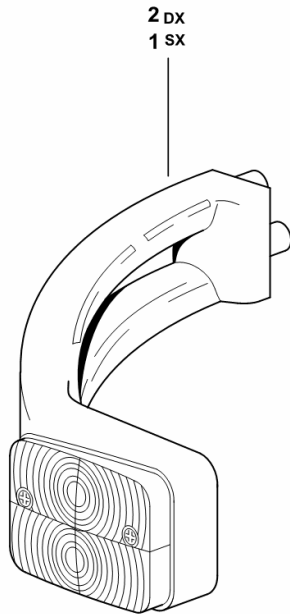
FLASHING POS. LIGHT

Fig.	Code	QTY	Name
------	------	-----	------

Notes:

[AGROTRON L720]

1	04411920.4	1	lamp sx/lh/li ☞ 04411920.4
2	04411921.4	1	lamp dx/rh/re ☞ 04411921.4



9_15485_03_0-A-001

HEADLAMP COMPONENTS

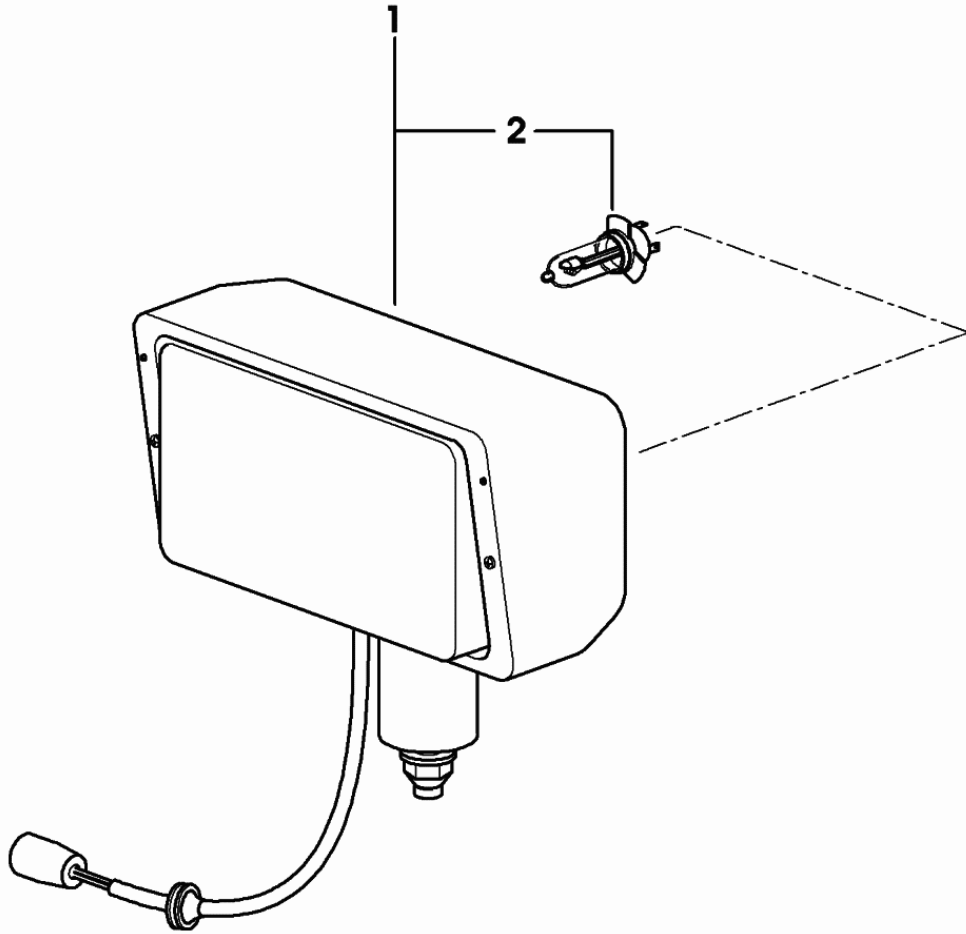


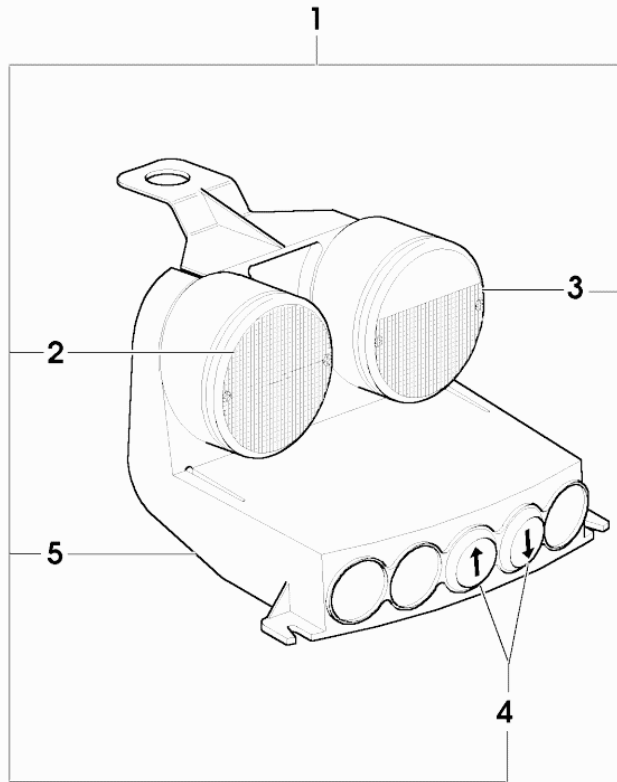
Fig.	Code	QTY	Name
1	04414087.4	1	lamp
2	0.900.0062.8	1	lamp H4 12V 60/55W

04414087_4

HEADLAMP COMPONENTS

Fig.	Code	QTY	Name
1	2.8059.310.0	1	headlight dx/rh/re
2	0.010.2453.0	1	light body
3	0.010.2454.0	1	light body
4	2.7659.141.0	2	switch
5	0.000.0000.1	0	not serviceable

2_8059_310_0



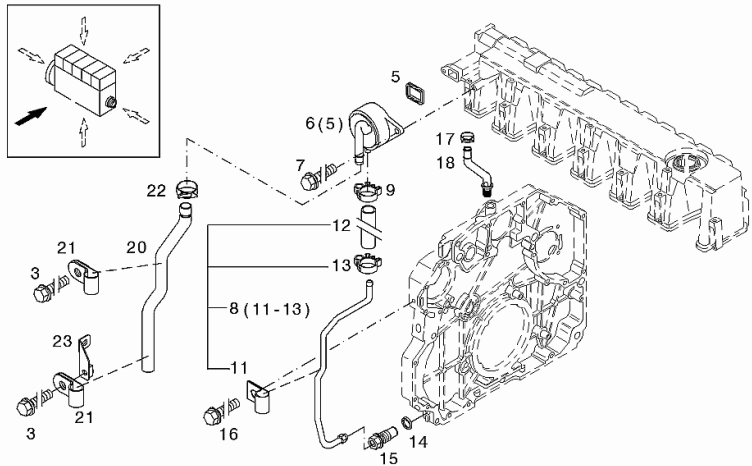
Section: B0 - ENGINE
CRANKCASE BREATHER

Fig.	Code	QTY	Name
------	------	-----	------

Engine Serial Numbers:

10311569 10336758 10521147 10521149 10521150 10537209 10598039 10598042 10598045 10598046 10598047
 10598971 10598974 10598979 10600576 10611272

3	01181433	2	screw EN 1662 -F-M8X20-LG2,5-10.9-ZNAL-A
5	04292487	1	gasket
6	04291238	1	breather WITH POS.... (5)
7	01181432	2	screw EN 1662 -F-M8X30-10.9-ZNAL-A
8	04292905	1	kit WITH POS.... 11-13
9	01182878	1	hose clip H 3461 -F-13,0/8
11	02144961	1	hose clip
12	04291246	1	rubber tube H 3407 -F8X14X72-EAM/ARAMID/EAM
13	01180071	1	hose clip H 3461 -F-14,0/8
14	01118737	1	'o' ring 22 x 27 DIN 7603 -A22X27-CU
15	04292679	1	pipe fitting
16	01181442	1	screw EN 1662 -F-M6X12-10.9-ZNAL-A
17	01148669	1	ring DIN 3021 -A-14X12
18	04289223	1	pipe fitting
20	04290751	1	tube
21	01173523	2	hose clip DIN 3016 -1-A1-25X20-W1-2
22	01178750	1	clamp DIN 3021 -A-29X15
23	04291288	1	bracket



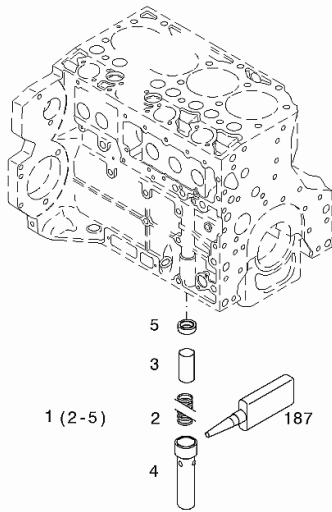
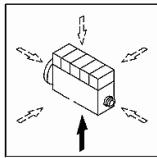
Section: B0 - ENGINE
OIL PRESSUR.SWITCH

Fig.	Code	QTY	Name
------	------	-----	------

Engine Serial Numbers:

10311569 10336758 10521147 10521149 10521150 10537209 10598039 10598042 10598045 10598046 10598047
 10598971 10598974 10598979 10600576 10611272

1	04207119	1	valve WITH POS.... (2-5)
2	04200782	1	spring
3	04207120	1	piston
4	04207121	1	spacer
5	04201794	1	ring
187	01016123	1	small plate H 0699 -DEUTZDW71-50ML



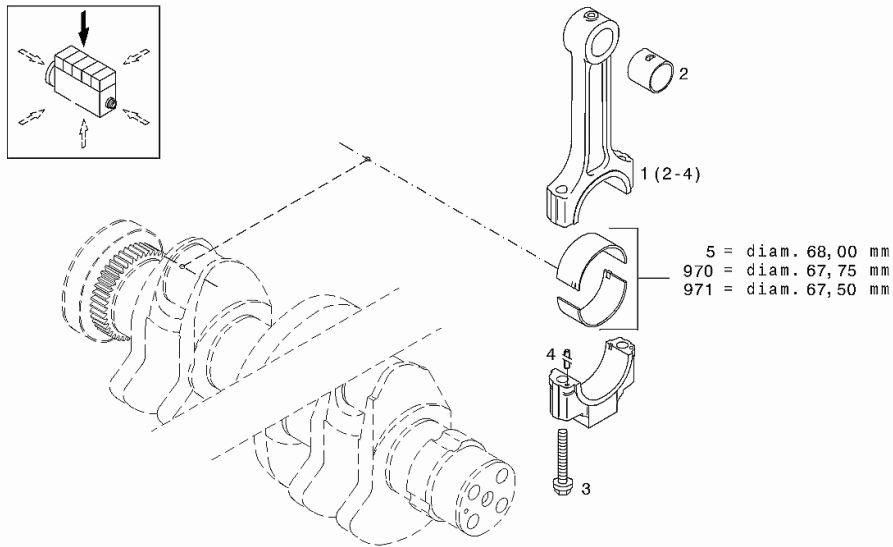
Section: B0 - ENGINE
CONNECTING ROD

Fig.	Code	QTY	Name
------	------	-----	------

Engine Serial Numbers:

10311569 10336758 10521147 10521149 10521150 10537209 10598039 10598042 10598045 10598046 10598047
 10598971 10598974 10598979 10600576 10611272

1	04282869	1	connecting rod WITH POS.... (2-4)
2	04200024	1	bushing
3	04200468	2	screw
4	01144447	2	pin
002 © 5	04284142	1	ISO 8752 -5X10-ST conrod.bearing NORMAL (A) MM RD, UNDERSIZE SEE POS. (B) A = 68.00 mm B = Pos.970,971
970	04284146	1	conrod.bearing - mm 0.25 1° MINORAZIONE 1ST UNDERSIZE 1A MEDIDA DE DESGASTE 1ERE COTE EN SOUS-DIMENSION 67.75 MM
971	04284147	1	conrod.bearing - mm 0.50 2nd UNDERSIZE 67.50 MM



ROCKER ARM BRACKET

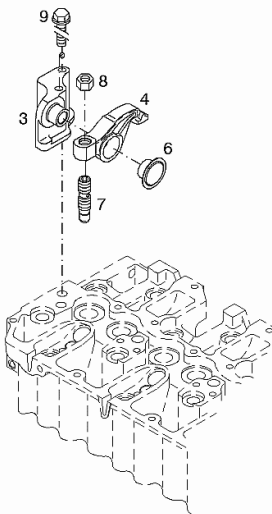
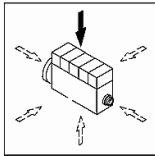
Fig.	Code	QTY	Name
------	------	-----	------

Engine Serial Numbers:

10521147 10521149 10521150 10537209 10598039 10598042 10598045 10598046 10598047 10598971 10598974
10598979 10600576 10611272

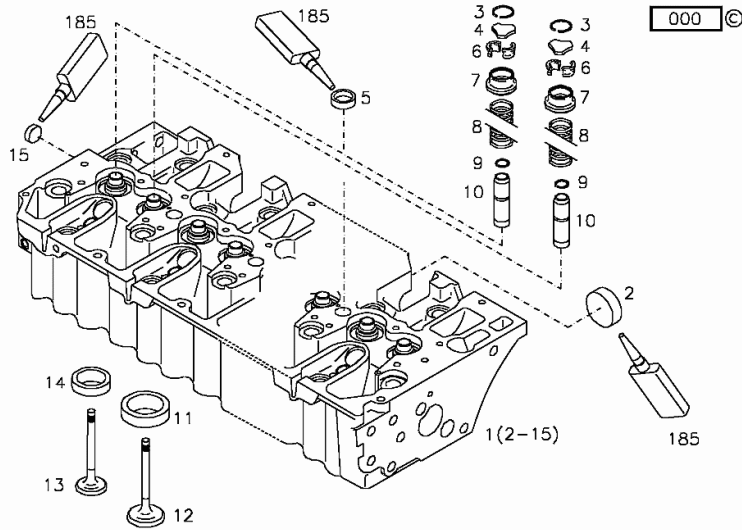
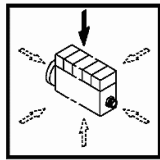
3	04284892	1	support
4	04289278	1	rocker
6	04284866	1	plug
7	04295639	1	register
8	02109637	1	nut
9	01181435	2	screw
			EN 1662 -F-M8X75-10.9-ZNAL-A*

000 ©



Section: B0 - ENGINE
CYLINDER HEAD

Fig.	Code	QTY	Name
954	02934446	1	INTAKE VALVE, 2nd OVERSIZE CLASS 49.49 mm ring
955	02934447	1	EXHAUST VALVE, 1st OVERSIZE CLASS 43.80 MM ring
			EXHAUST VALVE, 2nd OVERSIZE CLASS 44.00 mm



CLICK HERE TO **DOWNLOAD** THE COMPLETE MANUAL

- Thank you very much for reading the preview of the manual.
- You can download the complete manual from: www.heydownloads.com by clicking the link below



- Please note: If there is no response to CLICKING the link, please download this PDF first and then click on it.

CLICK HERE TO **DOWNLOAD** THE COMPLETE MANUAL

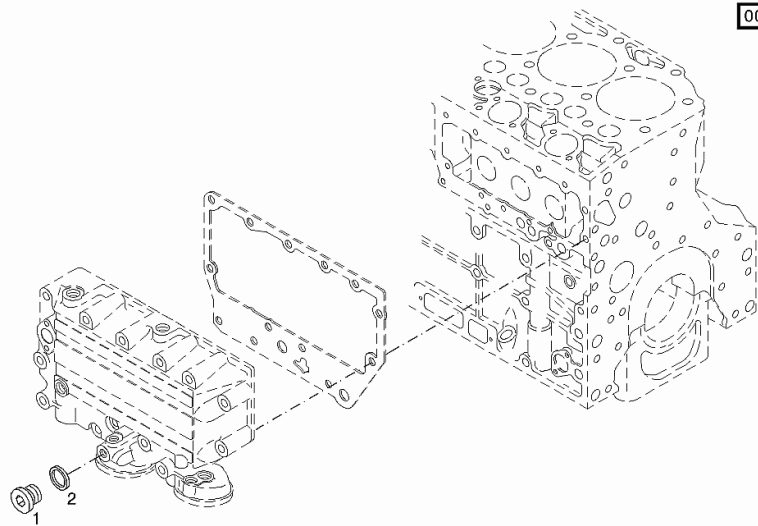
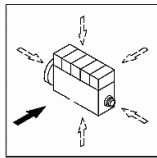
Section: B0 - ENGINE
CLOSING COMPONENTS

Fig.	Code	QTY	Name
------	------	-----	------

Engine Serial Numbers:

10311569 10336758 10521147 10521149 10521150 10537209 10598039 10598042 10598045 10598046 10598047
 10598971 10598974 10598979 10600576 10611272

1	01131075	1	screw - UP TO MONTH OF ASSEMBLY (A) - FROM MONTH OF ASSEMBLY SEE POS. (B) A = UP TO 01/2007 B = POS. 950
2	01118659	1	DIN 908 -M10X1-ST-A4C* 'o' ring UP TO THE MONTH OF ASSEMBLY 01/2007
950	01148766	1	DIN 7603 -A10X13,5-CU plug - FROM MONTH OF ASSEMBLY SEE POS. (B) - UP TO MONTH OF ASSEMBLY (A) FROM MONTH OF ASSEMBLY A = UP TO 02/2007 B = POS.1 WITH GASKETS DIN 908 -M10X1-ST-A4C+DICHTRING*



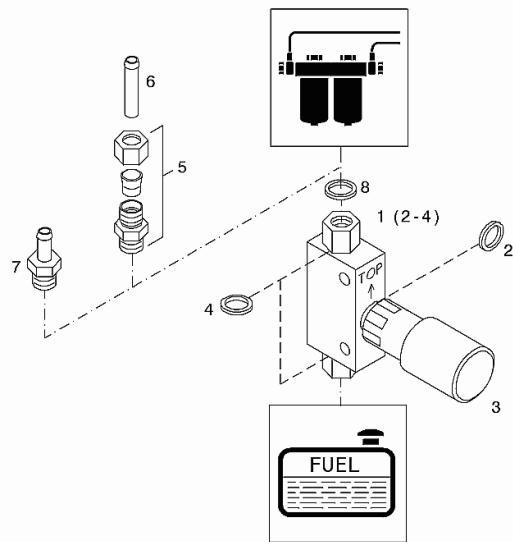
Section: B0 - ENGINE
FUEL FEED PUMP

Fig.	Code	QTY	Name
------	------	-----	------

Engine Serial Numbers:

10521147 10521149 10521150 10537209 10598039 10598042 10598045 10598046 10598047 10598971 10598974
 10598979 10600576 10611272

1	02111961	1	pump WITH POS.... (2-4)
2	01148356	1	'o' ring DIN 7603 -A16X20-ST
3	02111897	1	feed pump
4	01118727	2	'o' ring DIN 7603 -A20X24-CU
5	01319640	1	tongue
6	01319641	1	pipe fitting
7	01319642	1	tongue
8	01118713	1	washer 18.5 DIN 7603 -A18X22-CU



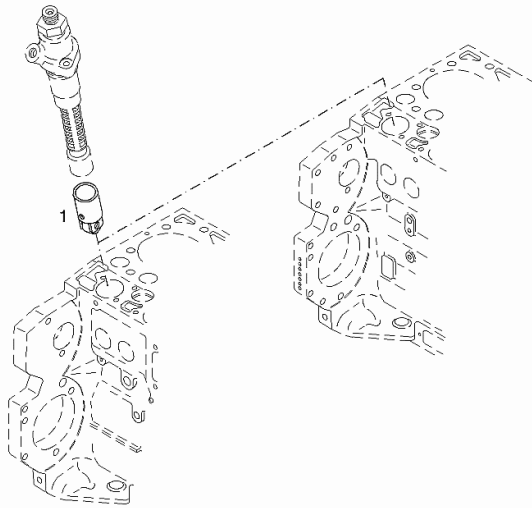
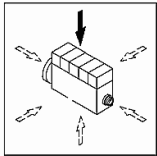
Section: B0 - ENGINE
ROLLER TAPPET

Fig.	Code	QTY	Name
------	------	-----	------

Engine Serial Numbers:

10311569 10336758 10521147 10521149 10521150 10537209 10598039 10598042 10598045 10598046 10598047
 10598971 10598974 10598979 10600576 10611272

1	04290358	2	cap
---	----------	---	-----



000 ©

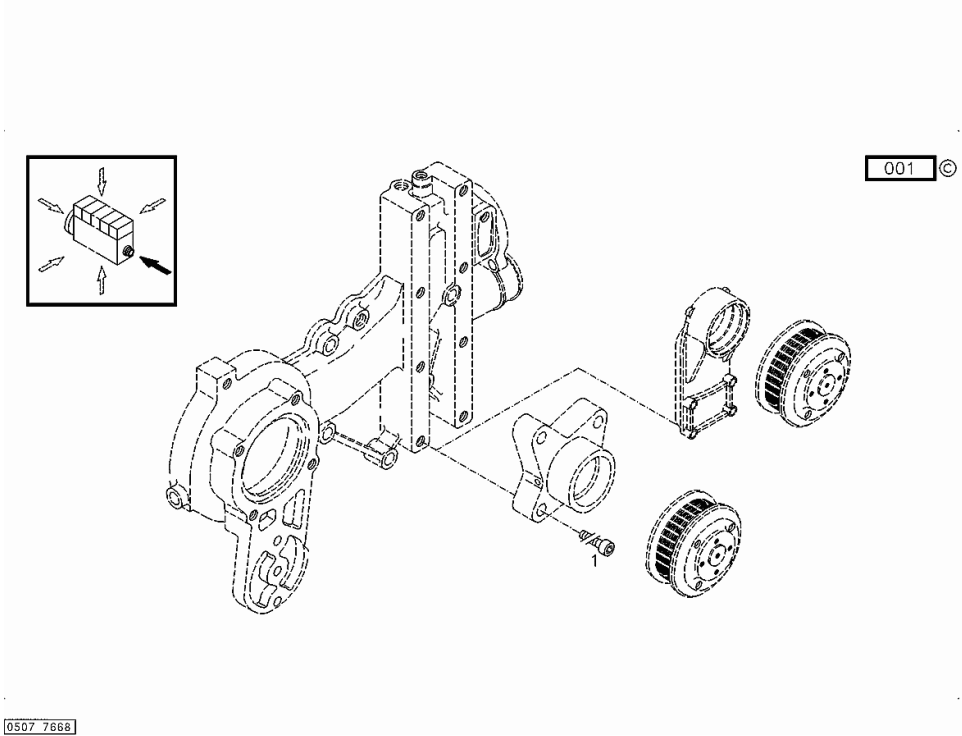
FASTENINGS

Fig.	Code	QTY	Name
------	------	-----	------

Engine Serial Numbers:

10311569 10336758 10521147 10521149 10521150 10537209 10598039 10598042 10598045 10598046 10598047
10598971 10598974 10598979 10600576 10611272

1	01148440	4	screw ISO 4762 -M10X45-10.9-ZNAL-A
---	----------	---	---------------------------------------



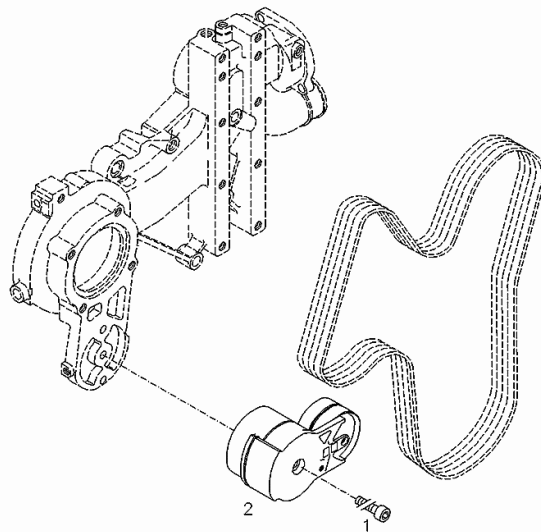
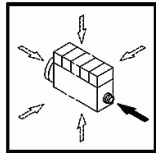
Section: B0 - ENGINE
BELT STRETCHER

Fig.	Code	QTY	Name
------	------	-----	------

Engine Serial Numbers:

10311569 10336758 10521147 10521149 10521150 10537209 10598039 10598042 10598045 10598046 10598047
 10598971 10598974 10598979 10600576 10611272

1	01148366	1	screw ISO 4762 -M12X90-10.9-ZNAL-A
2	04504262	1	tensioner



000 ©

0507 8810

Section: B0 - ENGINE
CHARGED AIR MANIFOLD

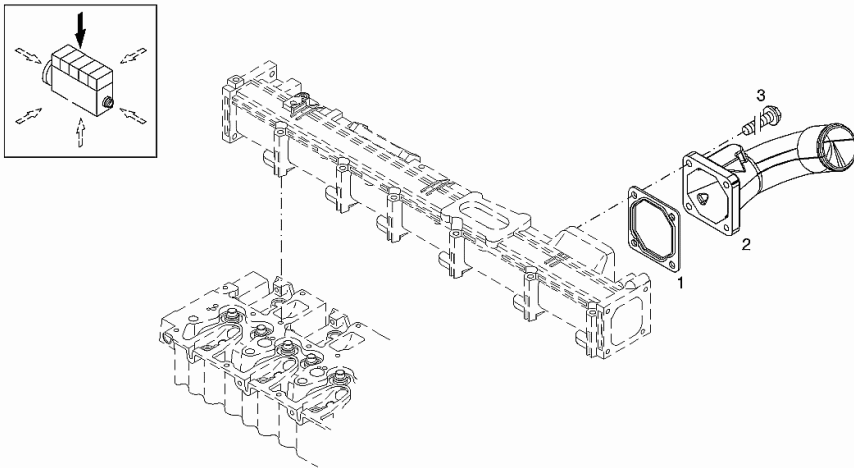
Fig.	Code	QTY	Name
------	------	-----	------

Engine Serial Numbers:

10311569 10336758 10521147 10521149 10521150 10537209 10598039 10598042 10598045 10598046 10598047
 10598971 10598974 10598979 10600576 10611272

1	04258906	1	gasket
2	04296674	1	manifold
3	01181432	4	screw
			EN 1662 -F-M8X30-10.9-ZNAL-A

000 ©



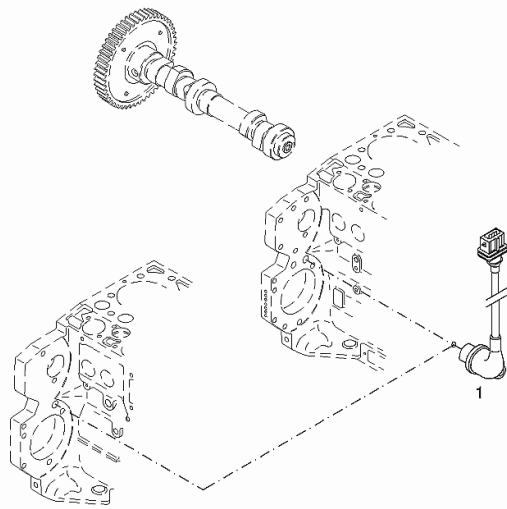
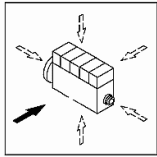
IMPULSE TRANSMITTER

Fig.	Code	QTY	Name
------	------	-----	------

Engine Serial Numbers:

10311569 10336758 10521147 10521149 10521150 10537209 10598039 10598042 10598045 10598046 10598047
 10598971 10598974 10598979 10600576 10611272

1	04214103	1	speed sensor
---	----------	---	--------------



001 ©

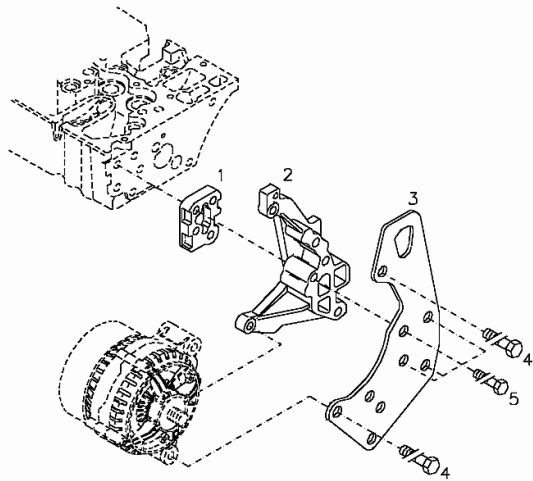
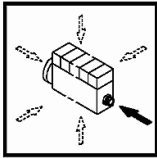
ACCESSORIES

Fig.	Code	QTY	Name
------	------	-----	------

Engine Serial Numbers:

10311569 10336758 10521147 10521149 10521150 10537209 10598039 10598042 10598045 10598046 10598047
10598971 10598974 10598979 10600576 10611272

1	04283979	1	small block
2	04283413	1	bracket
3	04283976	1	bracket
4	01148092	2	screw DIN 931 -M10X75-10.9-GESCHW
5	01122403	4	screw DIN 931 -M10X120-10.9-A-OELGESCHW.



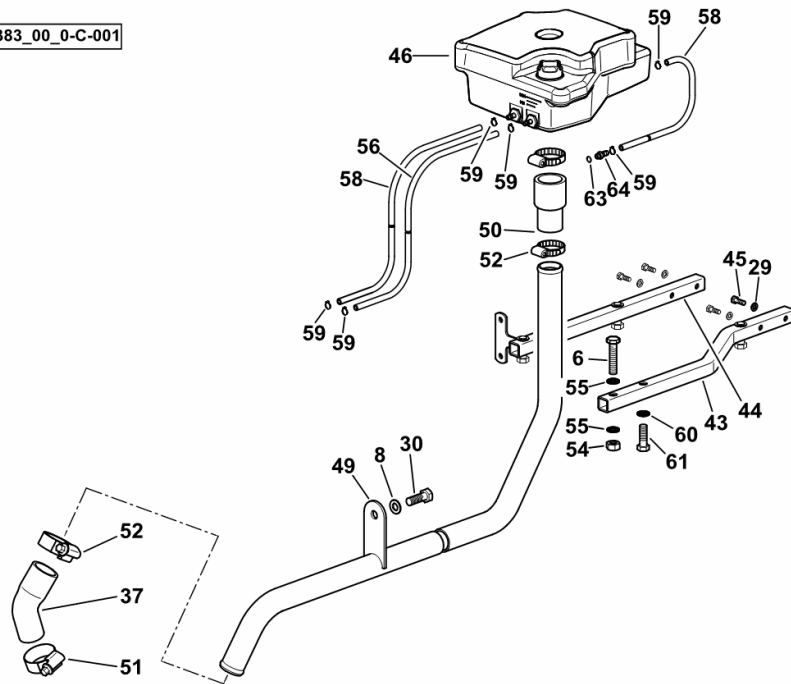
COOLING - EXPANSION TANK

Fig.	Code	QTY	Name
------	------	-----	------

Notes:
[AGROTRON L720]

6	2.0112.220.2	1	screw m 8 p.1.25x55
8	2.1310.004.2	1	flat washer 8.5
29	2.1310.002.2	4	washer 6.6, d125
30	2.0112.207.2	3	screw m 8 p 1.25 x 20
37	0.015.0051.0	1	sleeve
43	0.015.3940.2/10	1	support
44	0.015.3939.0/10	1	support
45	2.0112.013.2	4	screw m 6 p.1 x 35
46	0.015.3942.4/10	1	cup ☞ 0.015.3942.4/10
49	0.015.0049.2/20	1	tube
50	0.015.0058.0/10	1	sleeve
51	2.6851.002.0	1	clamp Ø 20/32
52	2.6851.003.0	3	clamp Ø 25/40
54	2.1011.105.2	1	nut m 8 p.1.25
55	2.1470.004.2	4	washer 8
56	0.012.6457.0	1.1	tube
58	0.012.6457.0	1	tube
59	2.6859.083.2	6	clamp
60	2.1475.002.2	4	conical washer 8
61	2.0112.213.2	4	screw m 8 p.1.25 x 35
63	2.1560.005.0	1	gasket 10.2 x 14
64	2.3249.031.2	1	pipe fitting m 10

9_J2383_00_0-C-001

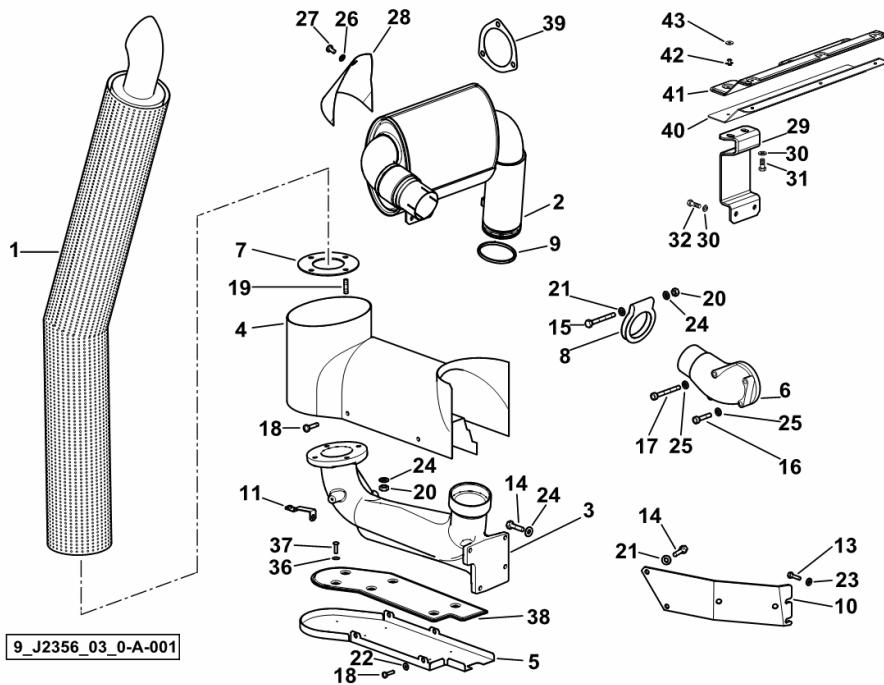


EXHAUST SILENCER

Fig.	Code	QTY	Name
------	------	-----	------

Notes:
[AGROTRON L720]

1	0.011.8376.4/20	1	exhaust
2	0.014.8454.4	1	silencer
3	0.013.1240.0/20	1	exhaust manifold
4	0.015.3003.4	1	guard
5	0.013.1819.0/40	1	guard
6	0.013.1174.0	1	manifold
7	0.011.4901.0	1	gasket
8	0.013.2485.0	1	clamp
9	0.011.4890.0	1	circlip
10	0.011.8217.0/40	1	bracket
11	0.013.1808.3/20	1	bracket
13	2.0112.209.2	2	screw m 8 p 1.25 x 25
14	2.0112.313.2	6	screw m 10 p.1.5 x 35
15	2.0112.327.2	1	screw m 10 p.1.5 x 90
16	2.0312.317.2	2	screw m 10 x 55
17	2.0169.018.2	2	screw m 10 p.1.5x105
18	2.0112.003.2	7	screw m 6 p.1 x 12
19	2.0422.309.2	4	stud bolt m 10 x 35
20	2.1011.106.2	5	nut m 10 p.1.5
21	2.1310.006.2	8	flat washer 10.5
22	2.1312.003.2	7	washer 6
23	2.1475.002.2	4	conical washer 8
24	2.1475.003.2	9	washer 10
25	2.1480.015.2	4	washer 10
26	2.1312.004.2	2	washer 8.4
27	2.0112.204.2	2	screw m 8 p.1.25x14
28	0.013.3146.0/10	1	guard
29	0.014.9908.0	1	support
30	2.1310.004.2	2	flat washer 8.5
31	2.0112.309.2	2	screw m 10 p.1.5 x 25
32	2.0112.206.2	2	screw m 8 p.1.25 x 18
36	2.1312.001.2	6	washer 4
37	2.1855.110.0	6	rivet 4.2
38	0.013.4553.0	1	insulator
39	0.013.5488.0	1	gasket
40	0.015.1460.2	1	bracket
41	0.015.1461.0	1	shield
42	2.1851.005.0	6	rivet 4.8
43	2.1312.002.2	6	washer 5



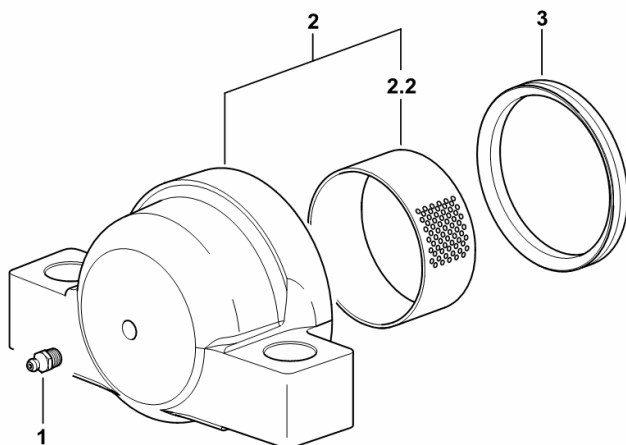
SUPPORTS

Fig.	Code	QTY	Name
------	------	-----	------

Notes:

- WITH SUSPENDED AXLE [AGROTRON L720] -> 1002

1	2.3820.105.2	1	lubricator m 10 p.1 x 7
2	0.010.4901.3/30	1	support
2.2	2.1559.457.0	1	bushing 80x85x40
3	2.1535.032.0	1	'o' ring 85



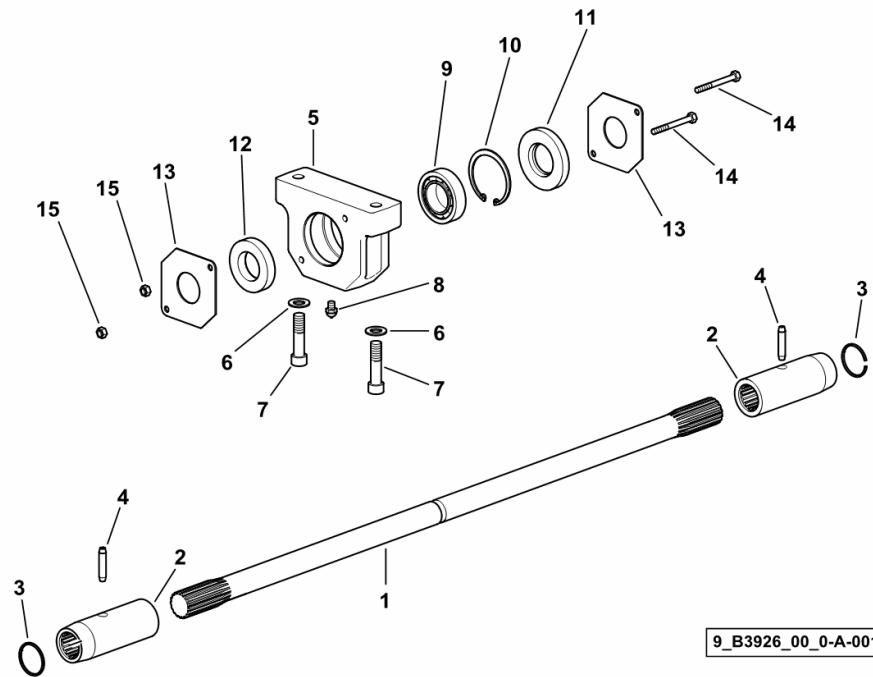
9_J2352_05_0-A-001

Section: F0 - FRONT AXLE
4WD - TRANSMISSION SHAFT

Fig.	Code	QTY	Name
------	------	-----	------

Notes:
 WITHOUT SUSPENDED AXLE [AGROTRON L720]

1	0.013.2814.0	1	transmission shaft
2	0.148.2614.0/30	2	sleeve
3	2.1499.227.0	2	circlip 42
4	2.1650.717.0	2	pin 8 x 40
5	04438106	1	bearing block
6	2.1310.007.2	2	flat washer 13.5
7	2.0112.419.2	2	screw m 12 p.1.75 x 50
8	01168224	1	lubricator m 6
9	04438109	1	bearing
10	01107850	1	circlip 72 x 2.5
11	04438662	1	'o' ring 35x72x10
12	01161983	1	'o' ring
13	04438658	2	shim
14	2.0112.021.2	2	screw m 6 p.1 x 60
15	2.1011.103.2	2	nut m 6 p.1



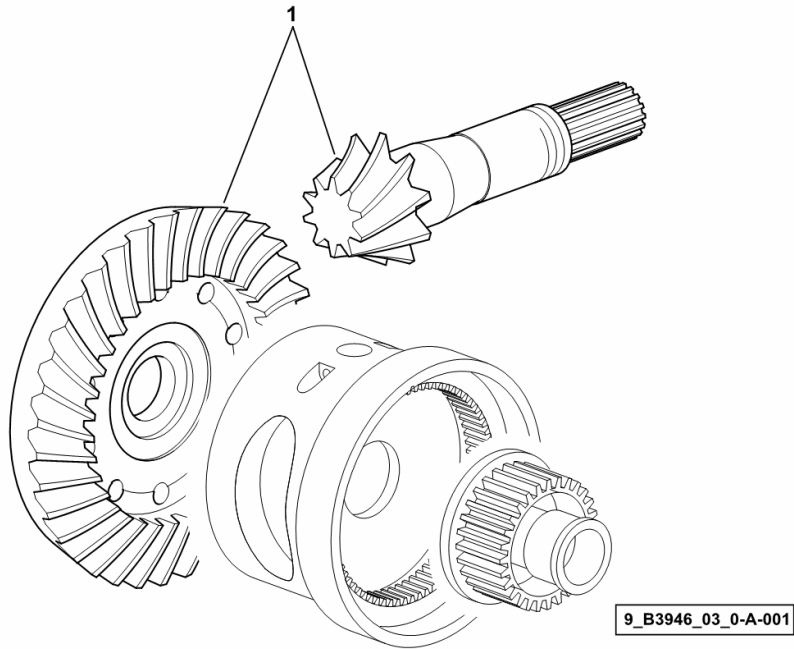
9_B3926_00_0-A-001

Section: F0 - FRONT AXLE
BEVEL WHEEL GEAR

Fig.	Code	QTY	Name
------	------	-----	------

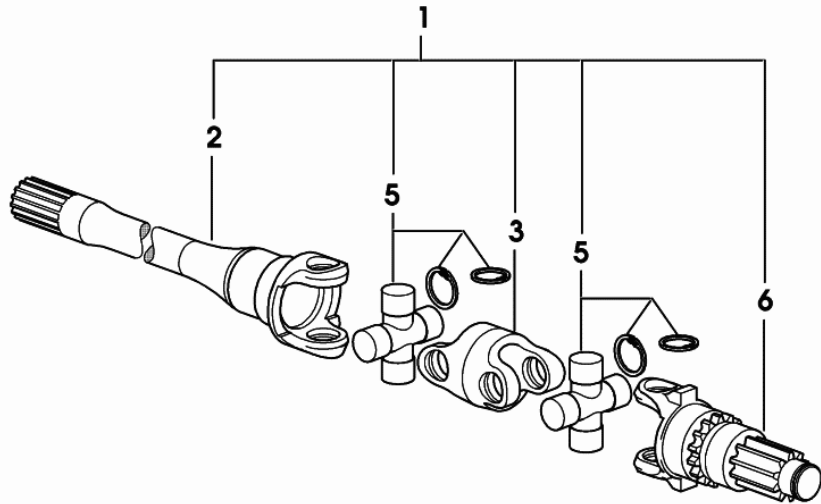
Notes:
 - WITH SUSPENDED AXLE [AGROTRON L720]

1	0.013.8473.3	1	bevel gear 40 KM/H
---	--------------	---	--------------------



Section: F0 - FRONT AXLE
4WD - AXLESHAFTS

Fig.	Code	QTY	Name
1	0.010.4296.4	1	joint sx/lh/li
2	0.010.3029.0	1	half-shaft sx/lh/li
3	0.010.3027.2	1	fork
5	0.010.3028.1	2	universal joint
6	0.010.3028.2	1	axle shaft



010_4296_4

AGROTRON L720

M0 - FRONT PTO

PTO INPUT SHAFT

INPUT SHAFT.....	M0.01.0 (1)
P.T.O. FRONT.....	M0.01.1 (1)
FRONT PTO PACKAGE.....	M0.01.2 (1)

FRONT PTO COVER - PROTECTIONS

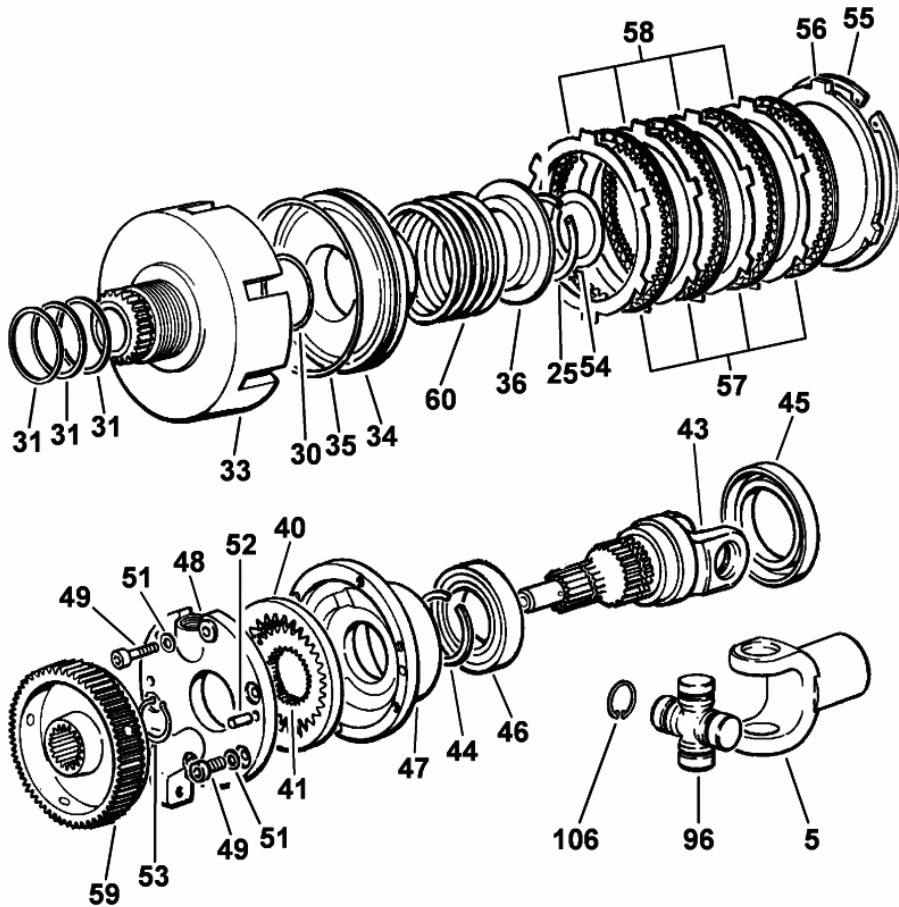
P.T.O. FRONT.....	M0.02.0 (1)
FRONT P.T.O. FIXING COMPONENTS.....	M0.02.1 (1)
P.T.O. SHAFT PROTECTOR - FRONT.....	M0.02.2 (1)
P.T.O. FRONT.....	0.014.8349.4.A
P.T.O. FRONT.....	0.014.8349.4.B
P.T.O. FRONT.....	0.014.8349.4.C

HYDRAULIC SYSTEM

FRONT P.T.O. - PIPES.....	M0.04.0 (1)
---------------------------	-------------

Section: M0 - FRONT PTO
P.T.O. FRONT

Fig.	Code	QTY	Name
5	0.009.1757.0/10	1	sleeve
25	2.1419.027.1	1	circlip 48
30	2.1532.150.0	1	'o' ring 61.60x2.62
31	2.1569.109.0	3	gasket 46x50x2
33	0.275.3910.0/50	1	body
34	0.255.3938.0/40	1	piston
35	2.1539.064.0	1	'o' ring 120.33x2.62
36	0.255.3933.0	1	disc
40	0.008.1362.0/10	1	crown wheel Z = 31
41	0.008.1363.0/10	1	pinion z = 25 z = 30
43	0.008.8346.0/30	1	shaft
44	2.1420.016.0	1	circlip a 40
45	2.1520.229.0	1	oil seal 55 x 80 x 10
46	2.2030.009.0	1	ball bearing 40x68x15
47	0.008.1361.0/10	1	pump casing
48	0.008.2669.0/20	1	cover
49	2.0312.106.2	6	screw m 6 p.1 x 20
51	2.1480.012.1	6	washer 6, d128
52	2.1651.507.0	2	pin 6 x 16
53	2.1410.009.1	1	circlip 24
54	2.1599.415.0	1	snoulder 35x52x1
55	2.1419.035.1	1	circlip 127
56	0.255.3969.0/10	1	disc
57	0.255.3970.2/10	4	disc
58	0.013.9453.0	4	disc
59	0.008.8806.0/20	1	hub
60	2.4019.373.1	1	spring 79.5x61.5x6.5
96	0.146.4632.4/10	1	universal joint
106	2.1499.012.1/10	4	circlip Ø 24



AGROTRON L720

Section: H0 - HYDRAULIC AND PNEUMATIC SYSTEM|

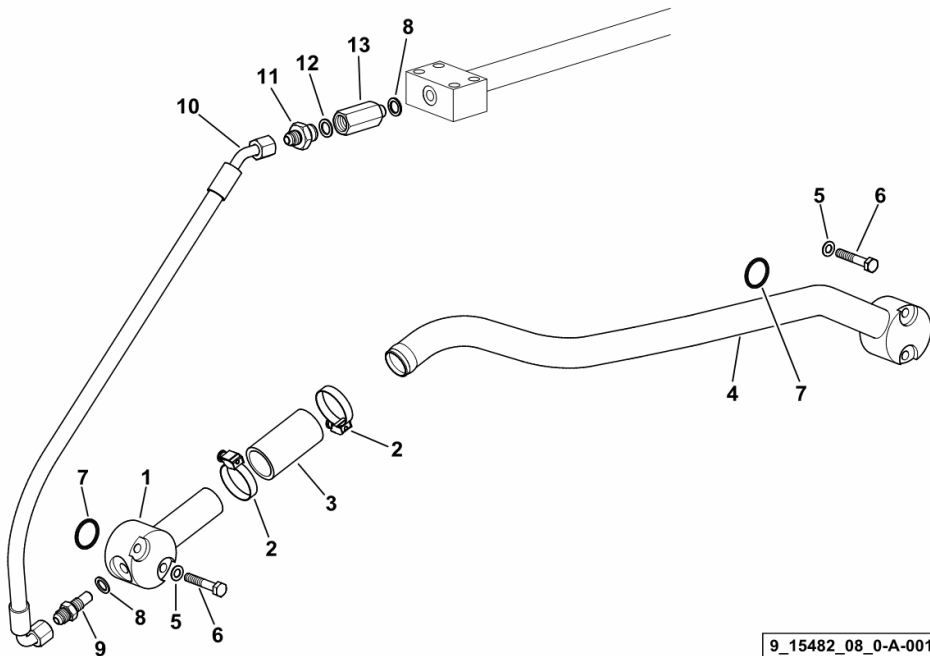
Ref.: H0.01.5 (1)

GEAR BOX OIL FEED PIPES

Fig.	Code	QTY	Name
------	------	-----	------

Notes:
[AGROTRON L720]

1	0.011.6472.3	1	tube
2	2.6851.004.0	2	clamp Ø 32/50
3	2.3213.230.0	1	sleeve Ø 30 x 70
4	0.011.7996.3	1	tube Ø 30
5	2.1470.004.2	4	washer 8
6	2.0112.217.2	4	screw m 8 p.1.25 x 45
7	2.1531.071.0	2	'o' ring 26,64x2,62
8	2.1560.008.0	2	gasket 12.2 x 18
9	2.3339.920.2	1	pipe fitting 9/16" - 18 J
10	0.011.8474.3	1	tube
11	2.3261.109.2	1	pipe fitting 9/16" - 18 J
12	2.1560.053.0	1	gasket 17 x 21
13	0.011.6591.3	1	valve



9_15482_08_0-A-001

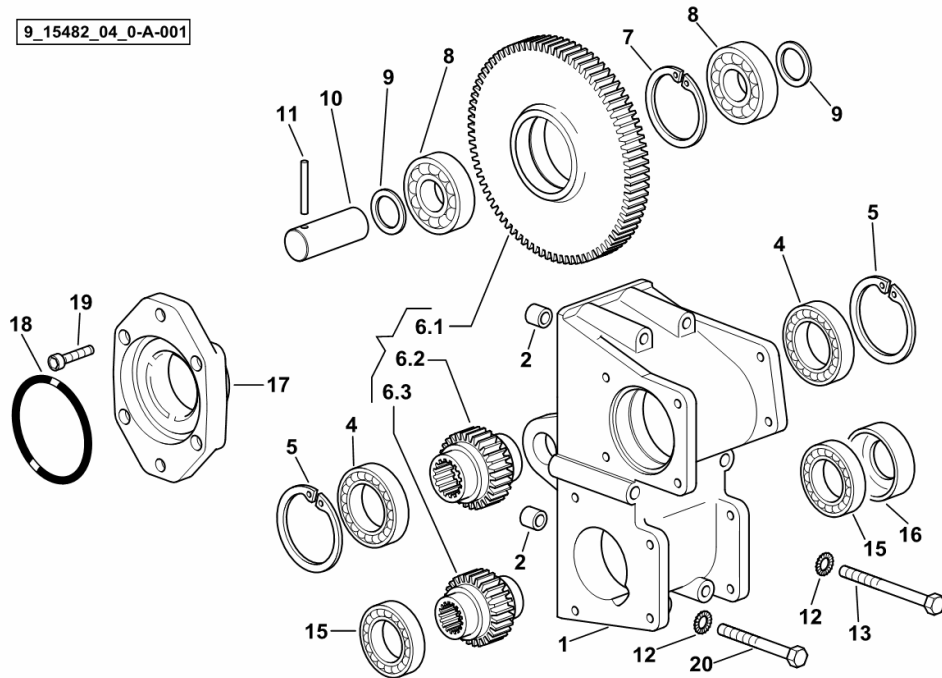
HYDRAULIC PUMP CONTROL

Fig.	Code	QTY	Name
------	------	-----	------

Notes:
[AGROTRON L720]

1	0.011.4560.0	1	cover
2	2.1699.301.0	2	roll pin 11x18x16
4	2.2030.010.0	2	ball bearing 45x75x16
5	2.1411.030.7	2	circlip 75x2.5
6.1	0.011.4579.0	1	gear z = 91
6.2	0.010.9702.0	1	gear Z = 29
6.3	0.008.4463.0/10	1	gear z = 27
7	2.1411.029.1	1	circlip 72
8	2.2064.009.0	2	ball bearing 30 x 72 x 19
9	2.1580.147.0	2	shim 31x44x1
10	2.1669.068.0	1	pin
11	2.1630.617.0	1	roll pin 6x50
12	2.1470.006.2	6	lock washer 10
13	2.0112.333.2	2	screw m 10 p.1.5x120
15	2.2030.009.0	2	ball bearing 40x68x15
16	2.1549.049.0	1	spacer 36.5x68x21.5
17	04425685	1	flange
18	2.1532.505.0	1	'o' ring 77.50 x 2.62
19	2.0312.212.2	4	screw m 8 p.1.25 x 35
20	2.0112.327.2	4	screw m 10 p.1.5 x 90

9_15482_04_0-A-001



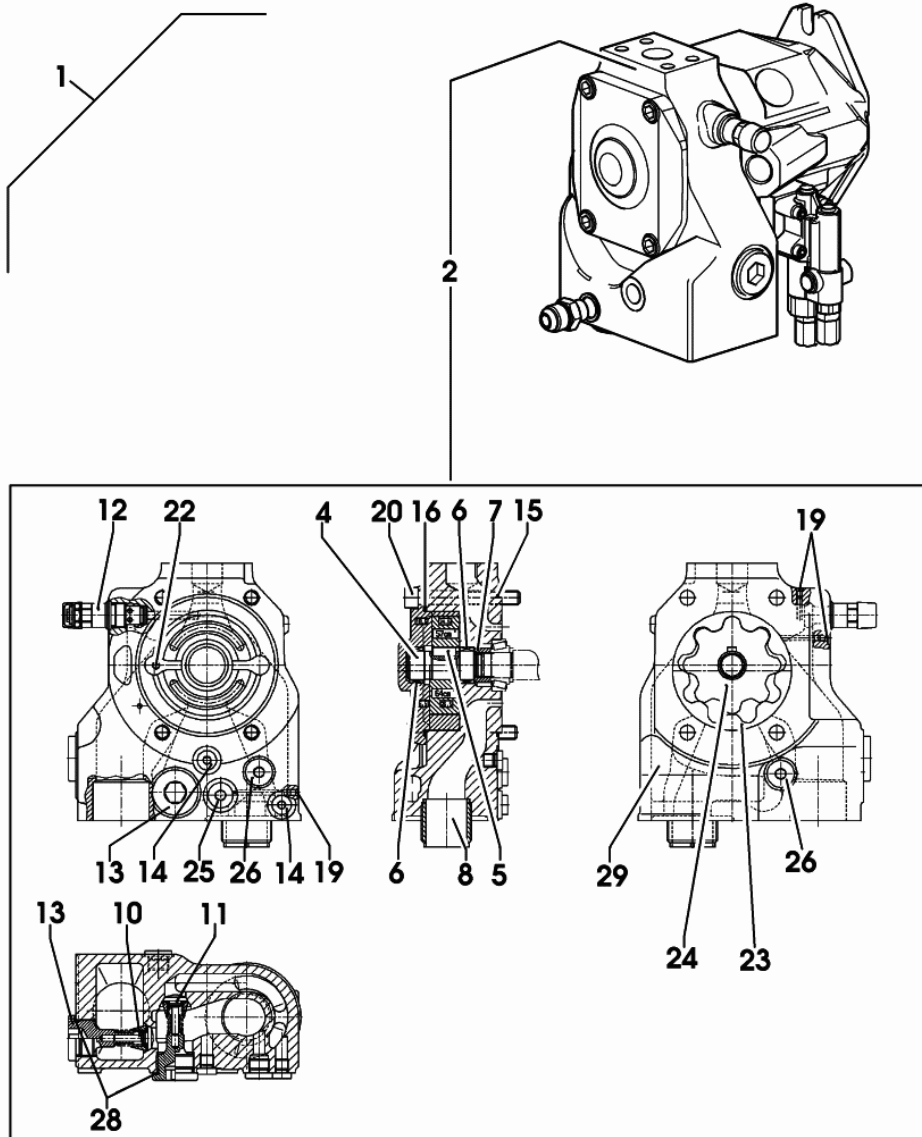
AGROTRON L720

Section: H0 - HYDRAULIC AND PNEUMATIC SYSTEM|

Ref.: 2.4539.840.0/30.D

PUMP-COMPONENTS

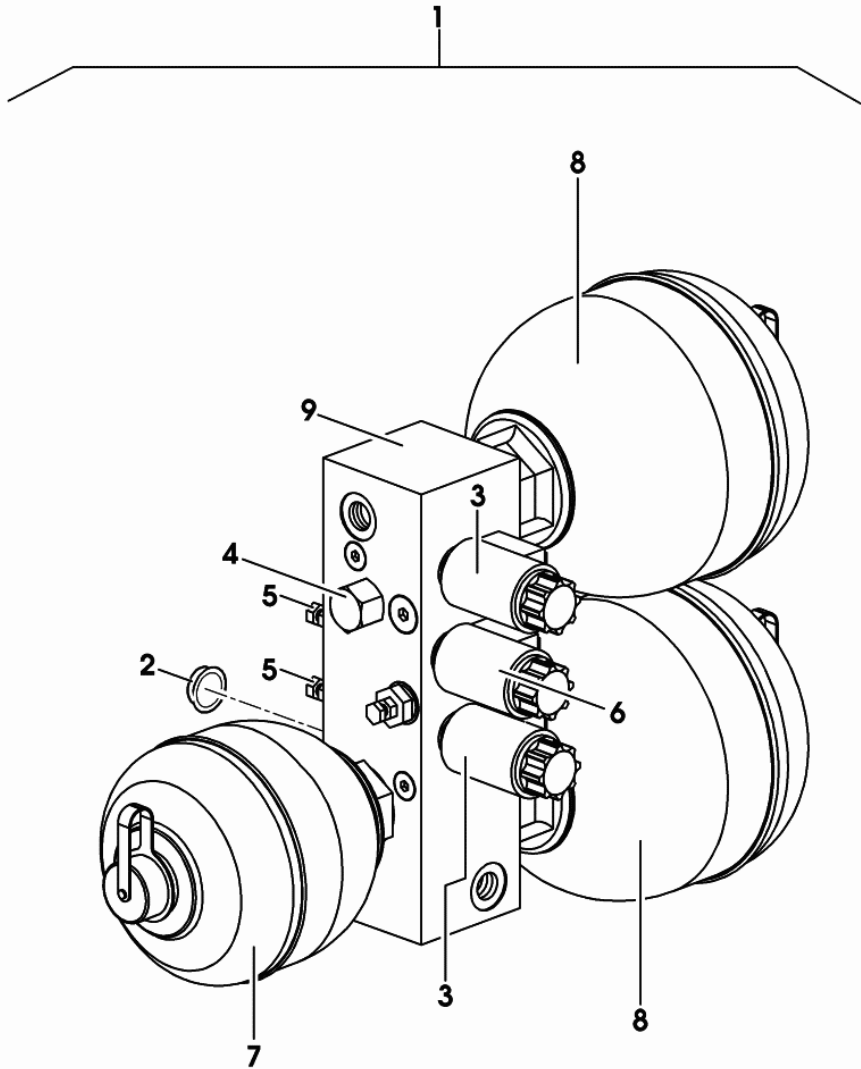
Fig.	Code	QTY	Name
1	2.4539.840.0/30	1	pump 45 cc sx/lh/li
2	0.900.0275.3	1	plate
4	0.900.0275.4	1	rotor
5	0.900.0275.5	1	dowel
6	0.900.0275.6	2	sleeve
7	0.900.0275.7	1	hub
8	0.900.0275.8	1	filter
10	0.900.0275.9	1	valve
11	0.900.0276.0	1	valve
12	0.900.0276.1	1	valve
13	0.900.0276.2	2	valve
14	0.900.0276.3	2	plug
15	0.900.0276.4	1	ring
16	0.900.0276.5	1	ring
19	0.900.0276.6	3	screw
20	0.900.0276.7	4	screw
22	0.900.0276.8	1	cylindrical plug
23	0.900.0276.9	1	ring
24	0.900.0277.0	1	ring
25	0.900.0277.1	1	valve
26	0.900.0277.2	2	valve
28	0.900.0277.3	2	circlip
29	0.000.0000.1	0	not serviceable



2_4539_840_0_30_C

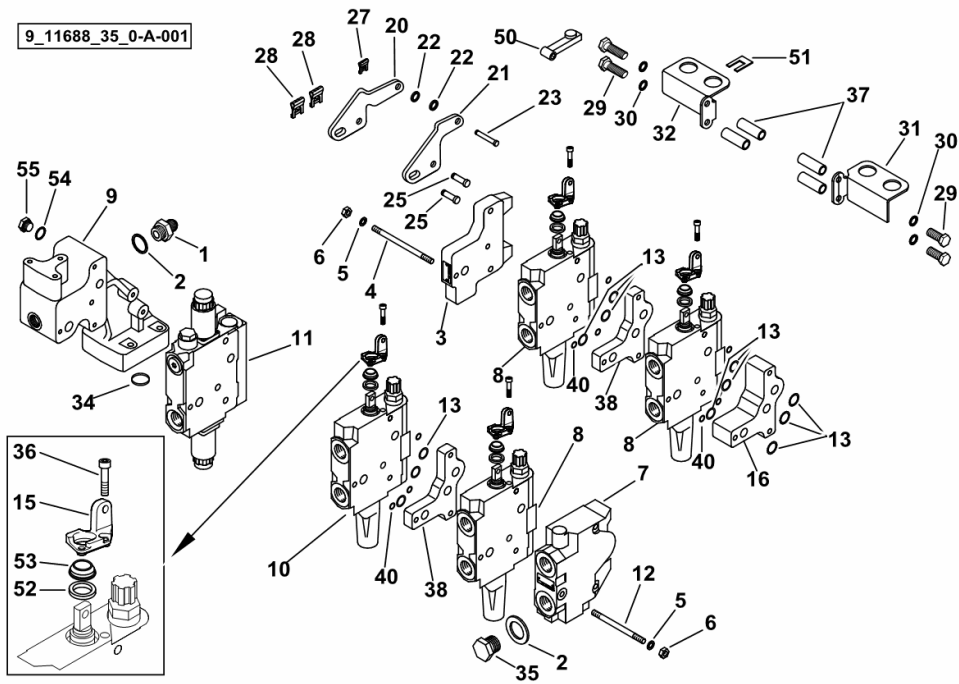
RELAY VALVE

Fig.	Code	QTY	Name
1	0.013.5834.0	1	valve
2	0.900.0126.5	1	plug
3	0.900.0126.6	2	valve
4	0.900.0126.7	1	plug
5	0.900.0126.8	2	valve
6	0.900.0126.9	1	valve
7	0.900.0127.0	1	accumulator
8	0.900.0127.1	2	accumulator
9	0.000.0000.1	0	not serviceable



0_013_5834_0

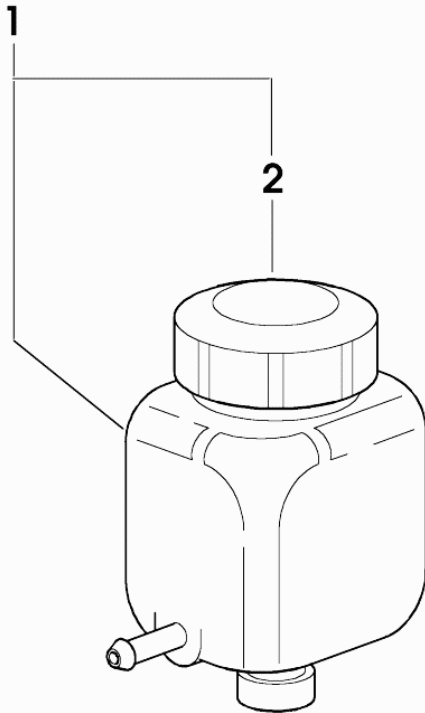
Fig.	Code	QTY	Name
55	2.3110.403.2	1	plug m 14



TANK - PARTS

Fig.	Code	QTY	Name
1	0.011.0212.3	1	tank
2	0.010.2795.0	1	plug

011_0212_3

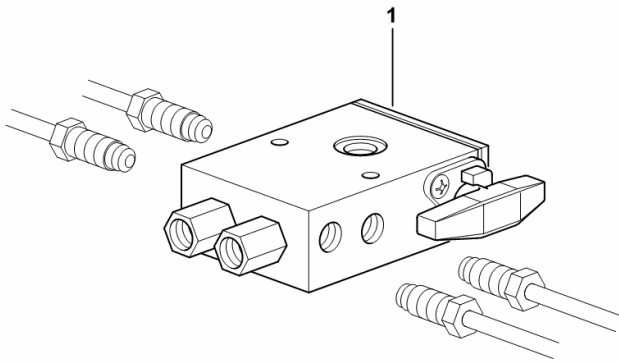


SWITCH VALVE

Fig.	Code	QTY	Name
------	------	-----	------

Notes:
[AGROTRON L720]

1	0.008.8673.4/20	1	valve
---	-----------------	---	-------



9_50866_02_0-A-001

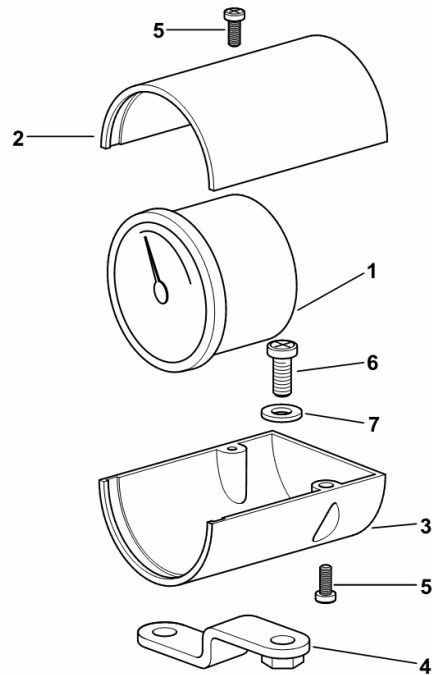
AIR-PRESSURE GAUGE

Fig.	Code	QTY	Name
------	------	-----	------

Notes:

[AGROTRON L720]

1	0.011.9433.0	1	air gauge 10 bar
2	04415455	1	guard
3	04415456	1	guard
4	0.011.7028.3	1	bracket
5	2.0361.406.2	2	screw m 4 x 10
6	2.0332.404.3	1	screw m 6 x 12
7	2.1312.003.2	1	washer 6



9_11374_10_0-A-001

AGROTRON L720

Section: H0 - HYDRAULIC AND PNEUMATIC SYSTEM|

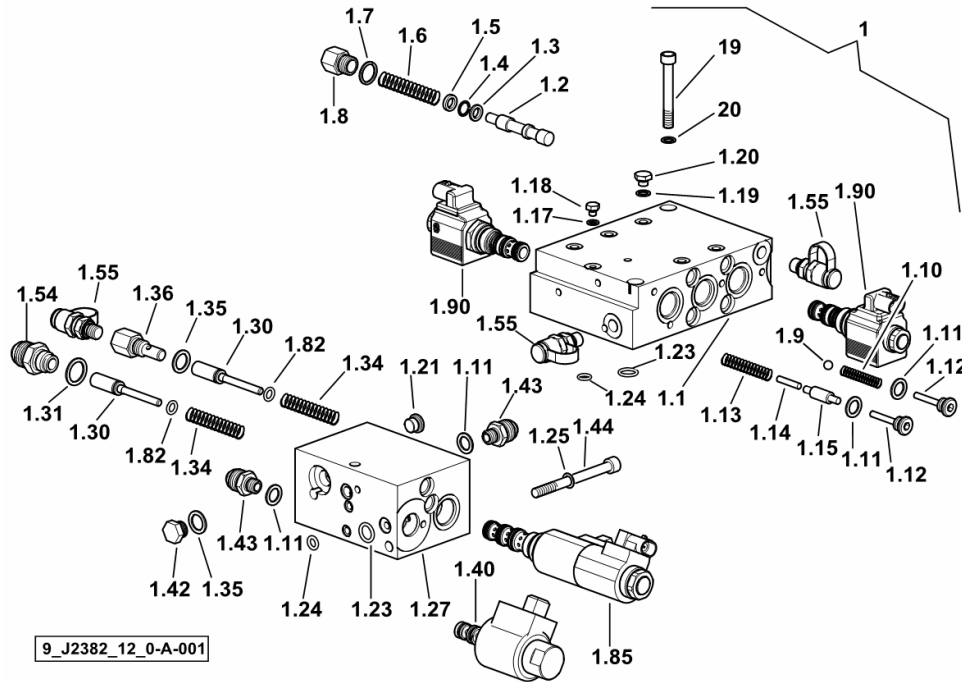
Ref.: H0.10.3 (1)

HOUSING OF VALVES AND HYDRAULIC SERVICES / SOLENOID VALVES

Fig.	Code	QTY	Name
------	------	-----	------

Notes:

[AGROTRON L720]



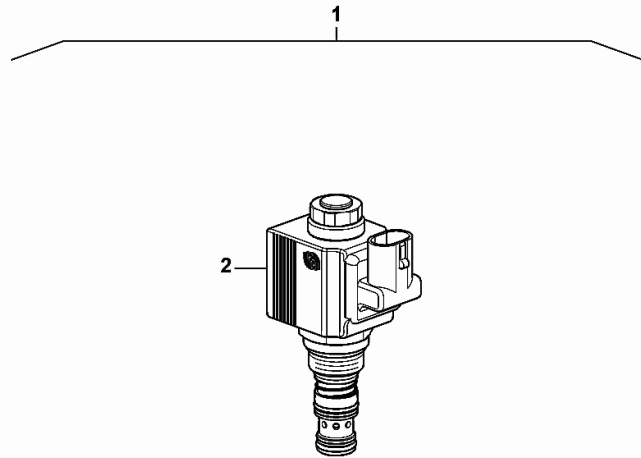
1	0.015.5350.4	1	distributor
1.1	0.009.2124.3/70	1	valve body
1.2	0.009.0626.0	1	stem
1.3	2.1599.593.2	1	snoulder 9x14x2
1.4	2.1420.002.0	1	circlip a 8
1.5	2.1599.592.2	1	snoulder 9x14x3
1.6	2.4019.433.1/10	1	spring 8.1x10.5x1.2x52
1.7	2.1560.011.0	1	gasket 16.2x20
1.8	2.3199.193.2	1	plug m 16 p.1.5x29
1.9	2.2810.004.0	6	ball 5/16"
1.10	2.4019.432.1/10	6	spring 5.4x6.2x0.4x59
1.11	2.1560.007.0	6	gasket 12.2x16
1.12	2.3199.196.2	17	plug m 12 p.1.25x43
1.13	2.4019.451.1/20	11	spring 6.1x9.3x1.6x51
1.14	2.1650.411.0	7	pin 5x25
1.15	0.009.2159.0	7	valve
1.17	2.1560.001.0	7	gasket 6.2x10
1.18	2.3110.427.1	1	plug m 6 p.1 x 10
1.19	2.1560.003.0	1	gasket 8.2 x 12
1.20	2.3110.428.1	5	plug m 8 p.1 x 10
1.21	2.3199.278.2	5	plug m 12 p.1.25
1.23	2.1531.025.0	2	'o' ring 10.82x1.78
1.24	2.1531.012.0	9	'o' ring 6.75 x 1.78
1.25	2.1480.014.1	11	washer 8
1.27	0.011.5278.3/40	2	washer 8
1.30	0.009.3293.0	1	valve body
1.31	2.1560.014.0	2	slider
1.34	2.4019.776.1	1	gasket 18.2 x 24 x 1.5
1.35	2.1560.009.0	1	spring
1.36	2.3199.221.2/20	2	gasket 14.2x18
1.40	2.3719.510.0/10	1	pipe fitting m 14 p.1.5x52
1.42	2.3119.032.2	1	electro valve EVP
1.43	2.3339.595.2/10	1	2.3719.510.0/10
1.44	2.0312.224.2	1	plug m 14 p.1.5
1.54	2.3339.642.2	4	pipe fitting m 12
1.55	2.3729.696.0	2	screw m 8 p.1.25 x 90
1.82	2.1531.016.0	1	pipe fitting
1.85	2.3719.750.0/40	3	socket
		2	ring 8.74 x 1.78
		1	electro valve 12 V - 21 W, ON/OFF 4/3
		1	2.3719.750.0/40
1.90	2.3729.697.0/10	6	electro valve 13V - 20W

AGROTRON L720

Section: H0 - HYDRAULIC AND PNEUMATIC SYSTEM|
SOLENOID VALVE 13 V - 20 W, ON/OFF 3/2

Ref.: 2.3729.697.0/10.A

Fig.	Code	QTY	Name
1	2.3729.697.0/10	1	electro valve 13V - 20W
2	0.010.2831.1	1	coil 13V - 20W



2.3729.697.0_10

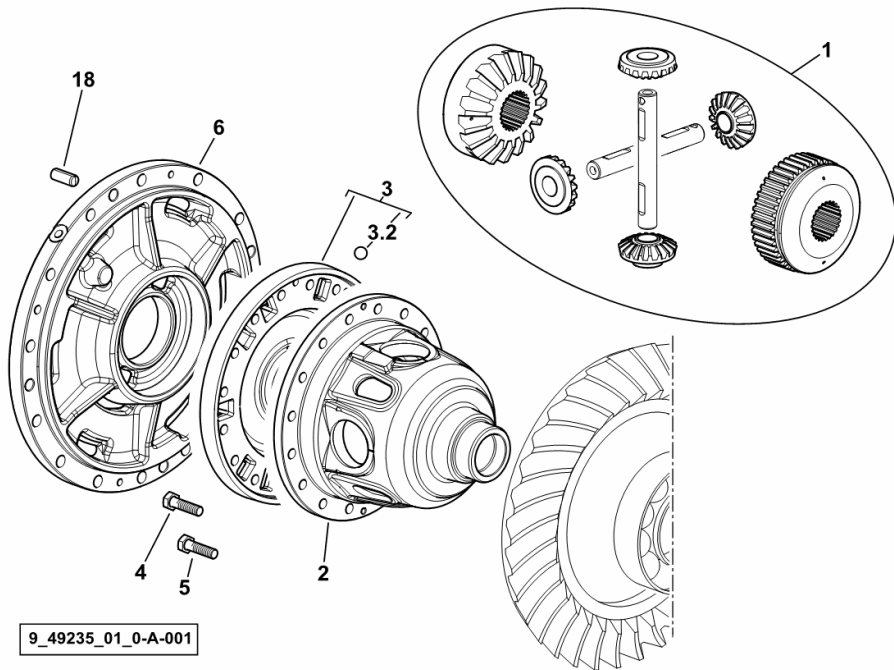
DIFFERENTIAL

Fig.	Code	QTY	Name
------	------	-----	------

Notes:

[AGROTRON L720]

1	0.005.8257.3/20	1	planet gear
2	0.005.8254.0/30	1	half box
3	0.005.8258.3/20	1	half box
3.2	2.2999.087.0	1	ball 3/16"
4	2.0139.013.1	16	screw m 12 p.1.25x45
5	2.0112.209.2	2	screw m 8 p 1.25 x 25
6	0.007.7564.0/30	1	flange dx/rh/re
18	2.1699.354.0	4	pin 14x37

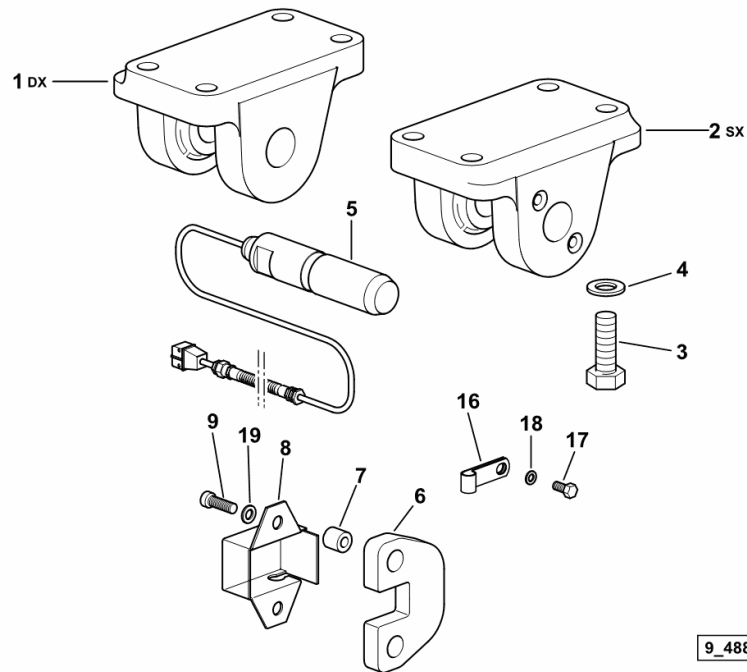


Section: R0 - REAR LIFT
SENSITIVE ELEMENTS

Fig.	Code	QTY	Name
------	------	-----	------

Notes:
[AGROTRON L720]

1	0.012.4353.0	1	support dx/rh/re
2	0.012.4352.0	1	support sx/lh/li
3	2.0119.149.1	8	screw m 18 p.2.5 x 55
4	2.1310.011.2	8	flat washer 19x34
5	2.7099.982.0	2	sensor 90 KN
6	0.008.2420.0/10	2	bracket
7	2.1559.223.2	4	sleeve 10.6x17x18.2
8	0.009.2419.0/10	2	cup
9	2.0312.312.2	4	screw m1,5x35
16	2.6819.023.2	4	bracket
17	2.0112.203.2	4	screw m 8 p.1.25 x 12
18	2.1310.004.2	4	flat washer 8.5
19	2.1480.015.1	4	washer 10



9_48859_61_0-A-001

Section: R0 - REAR LIFT
3 POINT HITCH

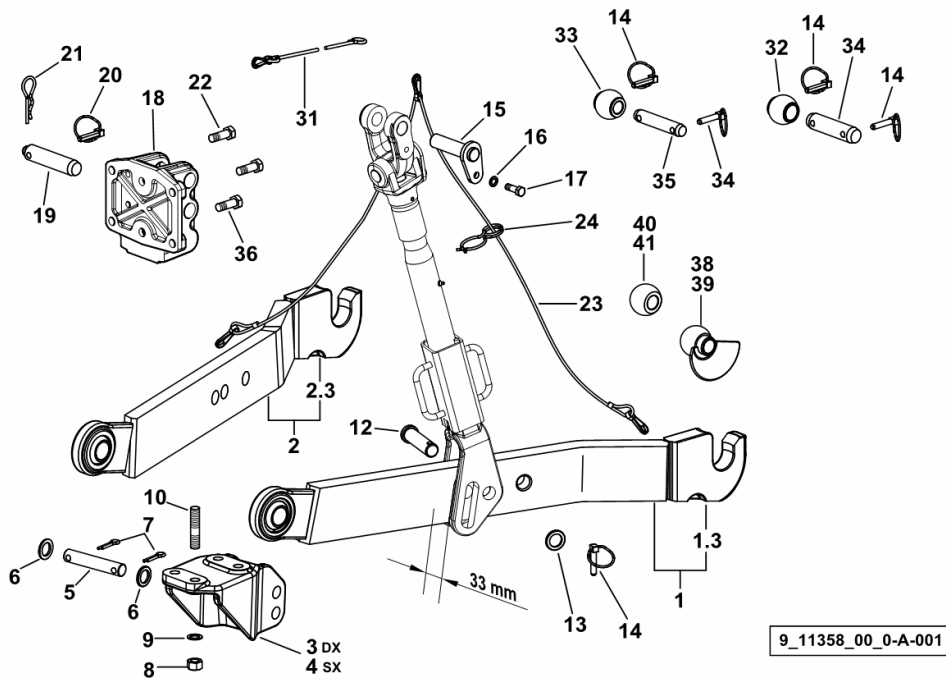


Fig.	Code	QTY	Name
Notes:			
[AGROTRON L720]			
1	0.014.1468.3/10	1	left hand arm
1.3	0.014.1421.3	1	automatic hook 3 cat. ☞ 0.014.1421.3
2	0.014.1469.3/10	1	right hand arm
2.3	0.014.1421.3	1	automatic hook 3 cat. ☞ 0.014.1421.3
3	0.010.6426.0	1	bracket dx/rh/re
4	0.010.6427.0	1	bracket sx/lh/li
5	2.1679.031.2/10	2	pin mm 25.4 x 143
6	2.1311.015.2	4	flat washer 28
7	2.1690.513.2	4	split pin 5 x 36
8	2.1012.310.7	8	nut m 18 x 1,5
9	2.1475.007.7	8	washer 18
10	2.0433.517.7	8	stud bolt m 18 p.1.5 x 60
12	2.1679.082.2/10	2	pin 28x114
13	2.1311.015.2	2	flat washer 28
14	0.010.9322.4	6	pin Ø 11
15	0.009.3144.2/10	2	pin
16	2.1470.007.2	2	lock washer 12
17	2.0112.413.2	2	screw m 12 p.1.75x35
18	0.009.3164.0/10	1	flange
19	2.1669.059.2	1	pin 32x152
20	0.760.2257.3	1	pin
21	2.1699.084.2	1	pin Ø 27
22	2.0112.617.2	4	screw m 16 p.2x45
23	0.009.2670.3	1	cable
24	0.760.2262.0	2	spring
31	0.009.3534.0	1	cable
32	0.009.2300.0	1	cap Ø 60 mm
33	0.011.0836.0	1	cap mm 25.7
34	2.1669.036.2	1	pin 32x133
35	2.1669.024.2	1	pin 25.4 x 133
36	2.0112.613.2	2	screw m 16 p.2x35
38	0.760.5951.3	2	pin 2 cat.
39	0.760.3953.3	2	pin 3 cat.
40	0.760.4552.0	2	cap 2 cat.
41	0.760.3954.0	2	cap 3 cat.

Section: R0 - REAR LIFT
STABILIZER

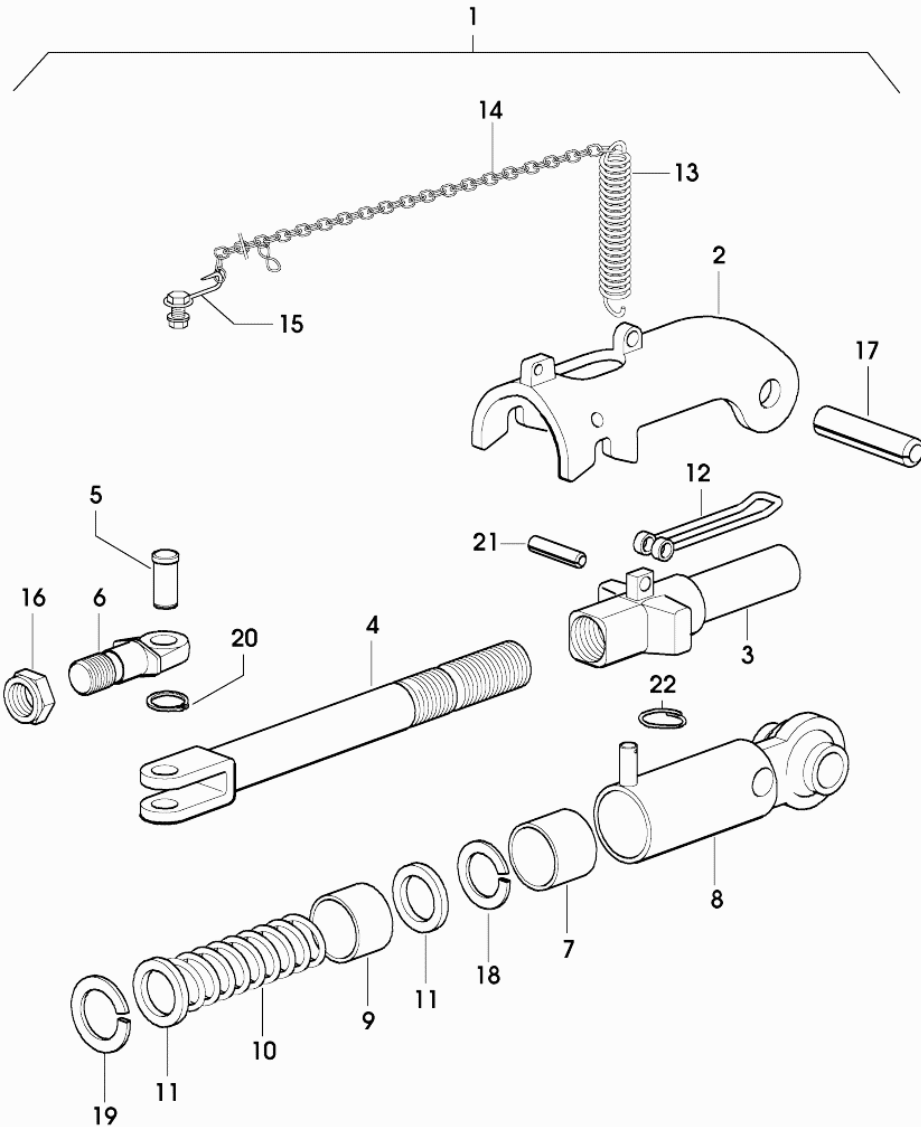


Fig.	Code	QTY	Name
1	0.010.9779.4/20	1	stabiliser
2	0.010.2820.1	1	lever
3	0.010.2826.1	1	rod
4	0.010.2826.2	1	rod
5	0.010.2825.0	1	pin 19.7x57.4
6	0.010.2825.1	1	pin
7	0.010.2821.1	1	bushing 42x48x47.5
8	0.010.2827.2	1	lever
9	0.010.2822.1	1	bushing 42x48x32.5
10	0.010.2822.2	1	spring 36.75x4.25
11	0.010.2822.0	2	ring
12	0.010.2820.2	1	spring
13	0.010.2827.0	1	spring 25.6x2.8
14	0.010.2827.1	1	chain
15	0.010.2824.1	1	clevis
16	0.010.2819.2	1	nut m 24
17	0.010.2823.2	1	roll pin 20x85
18	0.010.2821.2	1	ring 32
19	0.010.2823.0	1	ring 50
20	0.010.2825.2	1	circlip 20x1.75
21	0.009.4677.1	1	pin 10x32
22	0.010.2821.0	1	circlip

010_9779_4_20

4WD ENGAGEMENT POWER TAKE-OFF - 4WD PARKING BRAKE

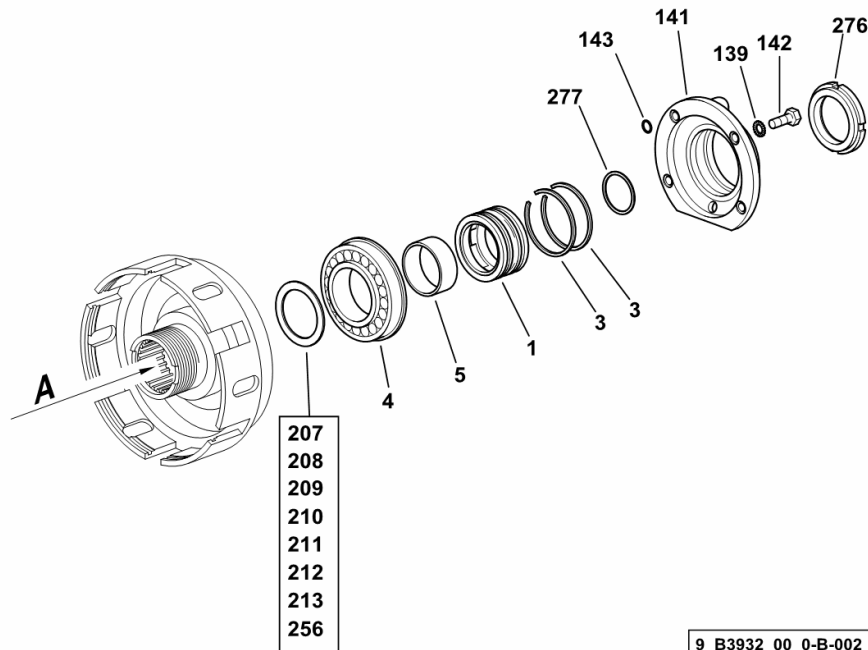
4WD-P.T.O.....D0.15.0 (1)
4WD-P.T.O.....D0.15.1 (1)
4WD - COMPLETION.....D0.15.2 (1)
INDEPENDENT HAND BRAKE.....D0.15.3 (1)
INDEPENDENT HAND BRAKE.....D0.15.4 (1)

MAIN SHAFT

Fig.	Code	QTY	Name
------	------	-----	------

Notes:
[AGROTRON L720]

1	0.007.7241.0/60	1	spacer
3	2.1499.108.7	2	ring 57.70x62x2.15
4	2.2999.115.0/10	3	bearing
5	2.2999.116.0	1	ring 45x50x20
139	2.1470.004.2	4	washer 8
141	0.007.7242.0/80	1	cover
142	2.0112.209.2	4	screw m 8 p 1.25 x 25
143	2.1539.148.0	1	'o' ring 8.73 x 1.78
207	2.1589.229.0	0.25	shim 45.5x60x1.35
208	2.1589.230.0	0.25	shim 45.5x60x1.40
209	2.1589.231.0	0.25	shim 45.5x60x1.45
210	2.1589.232.0	0.25	shim 45.5x60x1.50
211	2.1589.233.0	0.25	shim 45.5x60x1.55
212	2.1589.234.0	0.25	shim 45.5x60x1.35
213	2.1589.235.0	0.25	shim 45.5x60x1.65
256	2.1589.263.0	0.25	snoulder 45.5x60x1
276	2.1219.072.0	1	ring nut
277	2.1529.170.0	1	'o' ring



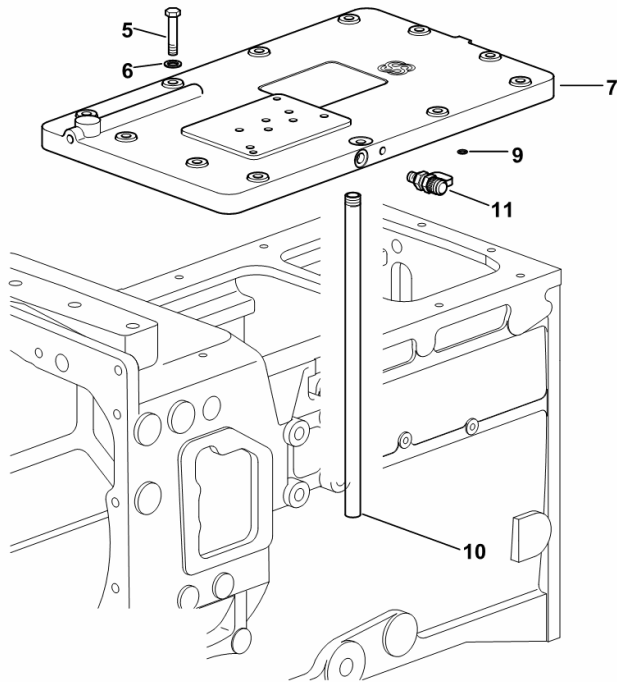
MANIFOLD PLATE

Fig.	Code	QTY	Name
------	------	-----	------

Notes:

[AGROTRON L720]

5	2.0112.317.2	12	screw m 10 p.1.5 x 45
6	2.1475.003.7	12	washer 10.5
7	0.010.9929.3/10	1	cover
9	2.1539.148.0	1	'o' ring 8.73 x 1.78
10	0.008.4718.0/10	1	tube
11	2.3729.696.0	5	socket



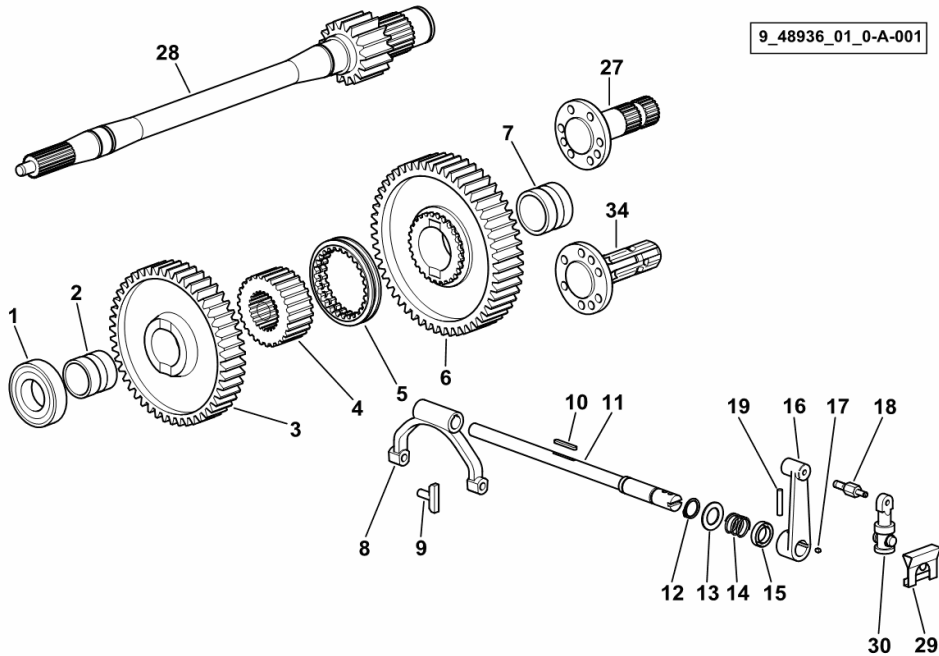
9_48832_09_0-A-001

PTO - 2-SPEED WITH INSERTED END SHAFT 750 - 1000

Fig.	Code	QTY	Name
------	------	-----	------

Notes:
[AGROTRON L720]

1	2.2999.174.0/10	1	bearing 40 x 80 x 18
2	2.1559.264.7	1	bushing 40x48x44
3	0.008.5306.0/10	1	gear z = 52
4	0.007.7522.0/10	1	hub
5	0.224.3452.0	1	sleeve
6	0.010.6365.0	1	gear Z = 47
7	2.1559.265.7	1	bushing 45x54x40.8
8	0.007.7565.0/10	1	fork
9	0.007.7559.0	2	shoe
10	2.1711.011.0	1	dowel 5x3x36
11	0.007.7574.0/20	1	rod
12	2.1410.006.1	1	circlip 20
13	2.1599.272.0	1	snoulder 21x34.5x2
14	2.4019.222.1	1	spring
15	2.1539.142.0	1	'o' ring 15.54x2.62
16	0.012.2192.0	1	lever
17	2.1720.006.0	1	key 4x6.5
18	0.012.2398.0	1	pin
19	2.1631.515.9	1	roll pin 6 x 32
27	0.163.3671.0/40	1	p.t.o.shaft 1" 3/8, Z = 21
28	0.008.5305.0	1	p.t.o.shaft
29	0.011.9187.3	1	terminal
30	01175725	1	small spring 6, d128
34	0.167.3660.0/30	1	p.t.o.shaft 1" 3/8, Z = 6

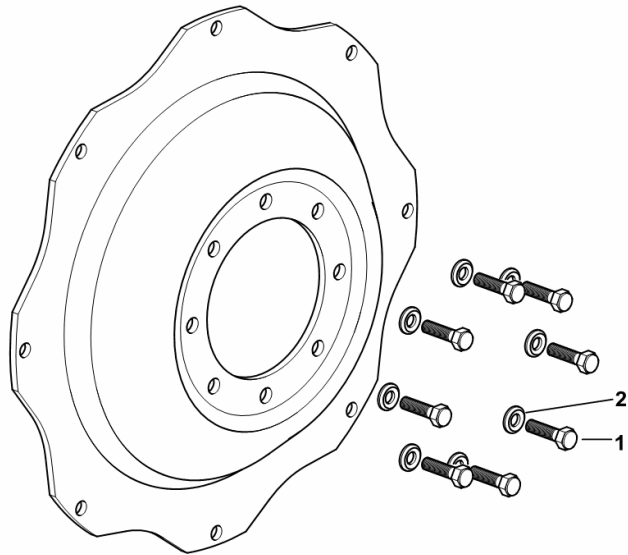


Section: S0 - WHEELS
FRONT WHEEL MOUNTING

Fig.	Code	QTY	Name
------	------	-----	------

Notes:
 [AGROTRON L720]

1	2.0399.140.6	16	screw m 18 p.1.5 x 60
2	2.1599.501.6/10	16	washer 19 x 40 x 7.5



9_52655_02_0-A-001

CLICK HERE TO **DOWNLOAD** THE COMPLETE MANUAL

- Thank you very much for reading the preview of the manual.
- You can download the complete manual from: www.heydownloads.com by clicking the link below



- Please note: If there is no response to CLICKING the link, please download this PDF first and then click on it.

CLICK HERE TO **DOWNLOAD** THE COMPLETE MANUAL