

Agrotron K 90 -> 8155 1001

V0 - BALLAST, TOWING HITCHES

FRONT HITCHES

CATCHING MOUTH.....	V0.01.0 (1)
FRONT TOWING HITCH.....	V0.01.1 (2)

REAR HITCHES

TOWING COUPLING AUTOM. MM 32 - DRAWBAR EYE MM 52.....	V0.02.1 (1)
REAR TOWING HITCH mm 37.....	V0.02.2 (1)
TOWING COUPLING AUTOM. MM 38 - DRAWBAR EYE MM 52.....	V0.02.3 (1)
TOWING COUPLING AUTOM. MM 38 - DRAWBAR EYE MM 63.....	V0.02.4 (1)
DRAWBAR COUPLING MECH.....	V0.02.5 (1)
REAR TOWING HITCH CAT: "C".....	V0.02.6 (1)
REAR TOWING HITCH CAT: "D2".....	V0.02.7 (1)
REAR TOWING HITCH.....	V0.02.8 (1)
REAR TOWING HITCH.....	V0.02.9 (1)
REAR TOWING HITCH CAT: "D3".....	V0.02.10 (1)
PIN FOR REAR TOW HOOK.....	V0.02.11 (1)
TRAILER STAND - DRAWBAR COUPLING mm 525.....	V0.02.12 (1)
REAR TOWING HITCH BRACKET.....	V0.02.13 (1)
REAR TOWING HITCH.....	V0.02.14 (1)
TOWING FRAME - WITH PITON-FIX.....	V0.02.15 (1)
REAR TOWING HITCH BRACKET.....	V0.02.16 (1)
TRAILER STAND - DRAWBAR COUPLING Ø 80.....	V0.02.17 (1)
TRAILER STAND - DRAWBAR COUPLING Ø mm 80.....	V0.02.18 (1)
TRAILER STAND - DRAWBAR COUPLING PITON FIX.....	V0.02.19 (1)
TOWING FRAME - WITH PITON-FIX.....	V0.02.20 (1)
TRAILER STAND - DRAWBAR COUPLING mm 705.....	V0.02.21 (1)
REAR TOWING HITCH BRACKET.....	V0.02.22 (1)
REAR TOWING HITCH BRACKET.....	V0.02.23 (1)
BRACKET.....	V0.02.24 (1)
SWINGING BAR.....	V0.02.25 (1)
TOWING BAR.....	V0.02.26 (1)
REAR OSCILLATING HITCH.....	V0.02.27 (1)
REAR OSCILLATING HITCH.....	V0.02.28 (1)
SWINGING DRAWBAR SUPPORT.....	V0.02.29 (1)
SWINGING DRAWBAR WITH PITON-FIX.....	V0.02.30 (1)
SWINGING DRAWBAR WITH PITON-FIX.....	V0.02.31 (1)
SWINGING DRAWBAR WITH PITON-FIX.....	V0.02.32 (1)
REAR OSCILLATING HITCH.....	V0.02.33 (1)
REAR OSCILLATING HITCH.....	V0.02.34 (1)
PICK-UP-HITCH - MECHANICAL.....	V0.02.35 (1)
PICK-UP-HITCH - HYDRAULIC.....	V0.02.36 (1)
DRAWBAR COUPLING.....	0.014.0402.4/10.A

CLICK HERE TO **DOWNLOAD** THE COMPLETE MANUAL

- Thank you very much for reading the preview of the manual.
- You can download the complete manual from: www.heydownloads.com by clicking the link below



- Please note: If there is no response to CLICKING the link, please download this PDF first and then click on it.

CLICK HERE TO **DOWNLOAD** THE COMPLETE MANUAL

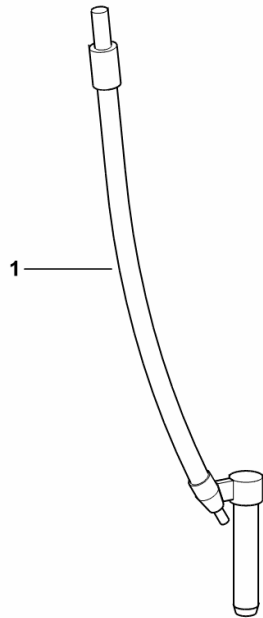
PIN FOR REAR TOW HOOK

Fig.	Code	QTY	Name
------	------	-----	------

Notes:

[Agrotron K 90 -> 8155 1001]

1	04417886	1	pin
---	----------	---	-----



K9_B1631_63_0-A-001

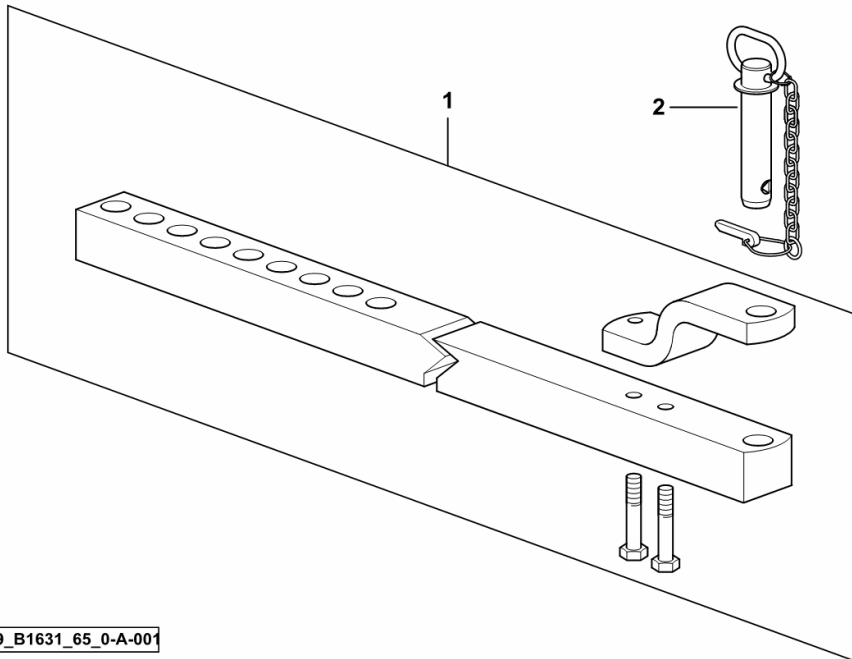
SWINGING BAR

Fig.	Code	QTY	Name
------	------	-----	------

Notes:

[Agrotron K 90 -> 8155 1001]

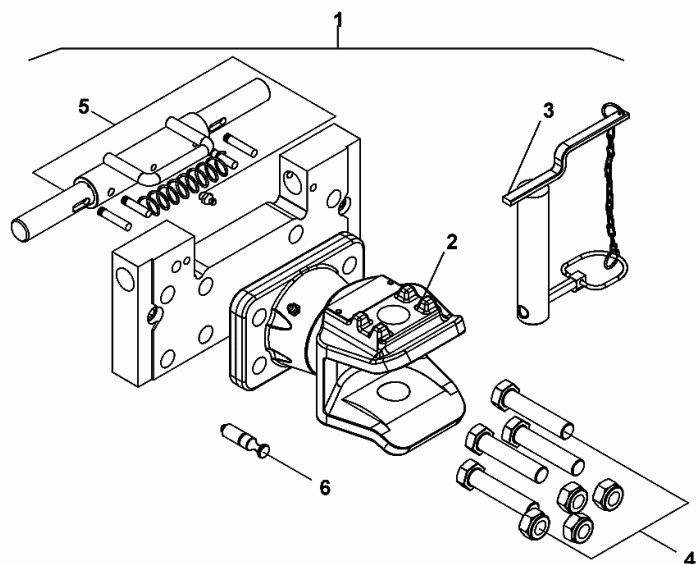
1	04454088	1	draw bar SAUERMANN mm 1270 ☞ 04454088
2	04418424.4	1	pin Ø 32 mm



K9_B1631_65_0-A-001

DRAWBAR COUPLING CEE

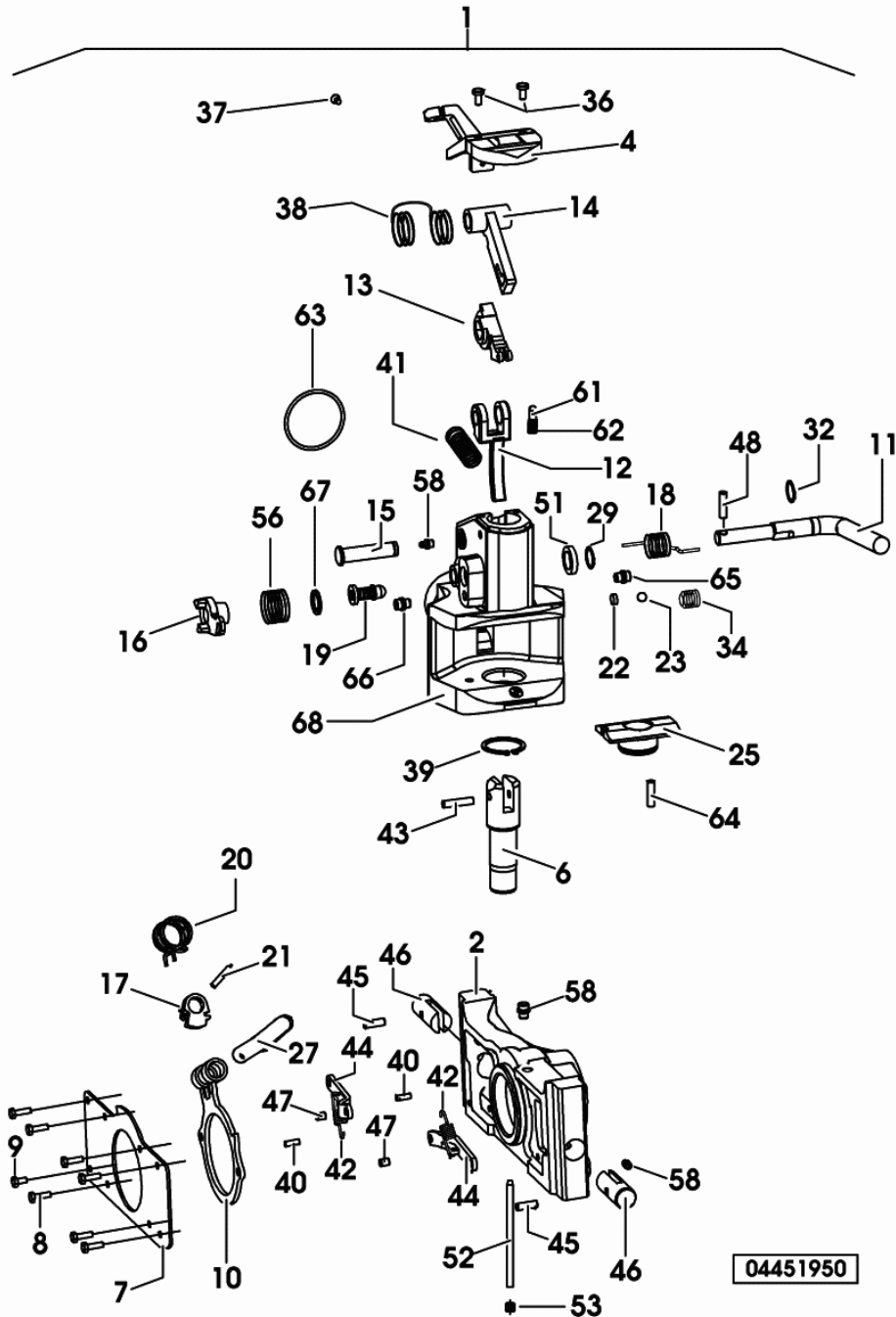
Fig.	Code	QTY	Name
1	0.015.3396.4	1	clevis V.ORLANDI - CEE
2	0.014.8230.3	1	tow hook CEE
3	0.900.0840.6	1	pin
4	0.900.0458.0	1	screw m 18, kit
5	0.900.0458.5	1	interlock kit
6	0.900.0458.5	1	interlock kit



0.015.3396.4

Section: V0 - BALLAST, TOWING HITCHES
DRAWBAR COUPLING mm 32

Fig.	Code	QTY	Name
61	04417917	1	pin
62	0.000.0000.1	1	not serviceable
63	0.000.0000.1	1	not serviceable
64	0.000.0000.1	1	not serviceable
65	0.000.0000.1	1	not serviceable
66	0.000.0000.1	1	not serviceable
67	0.900.0013.2	1	washer
68	0.000.0000.1	1	not serviceable



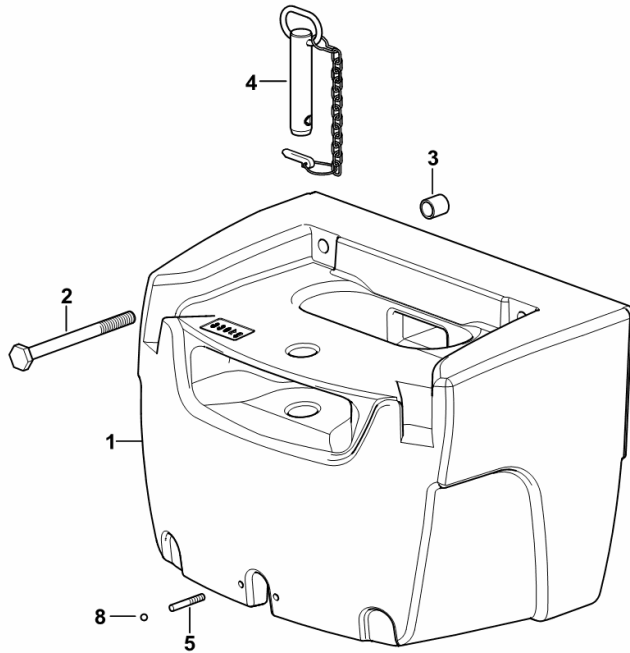
FRONT BALLAST 330 Kg

Fig.	Code	QTY	Name
------	------	-----	------

Notes:

[Agrotron K 90 -> 8155 1001]

1	04432782/30	1	ballast 330 Kg
2	2.0119.282.6	4	screw m 16 x 120
3	2.2680.047.0	2	ring 17x22x23
4	0.014.9894.4	1	pin
5	2.1630.719.2	2	pin 8 x 60
8	01167310	2	bottom



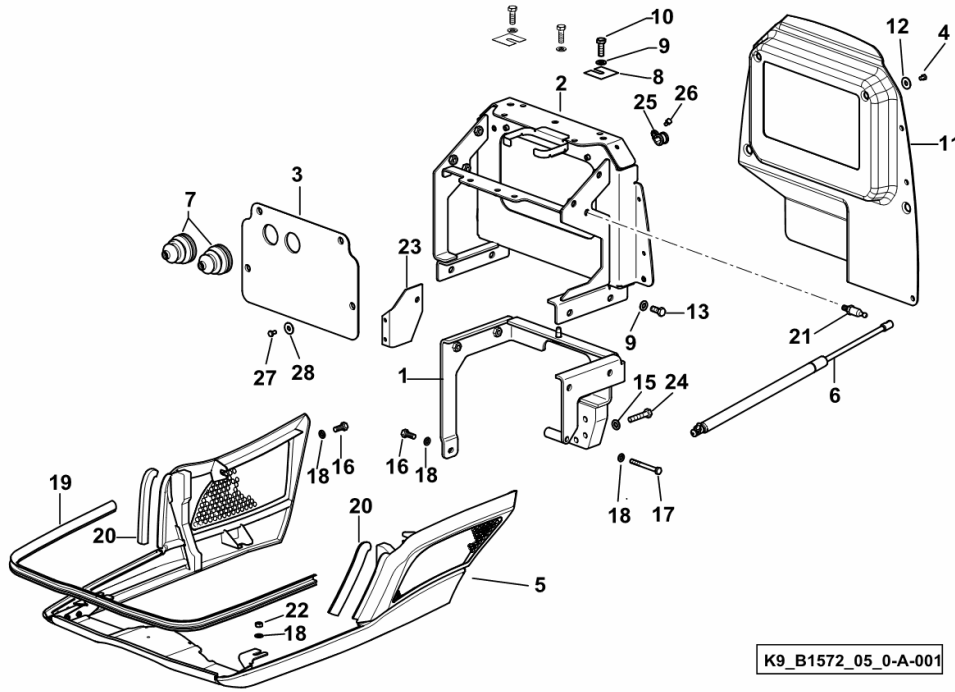
K9_95052_45_0-A-002

HOOD - SUPPORTS

Fig.	Code	QTY	Name
------	------	-----	------

Notes:

[Agrotron K 90 -> 8155 1001] 1193 <-



1	0.014.2935.3/60	1	support
2	0.014.1724.3/40	1	support
3	0.014.3319.0/10	1	cover
4	2.0112.203.2	10	screw m 8 p.1.25 x 12
5	0.014.2944.4/30	1	chassis frame
6	0.013.1311.4	2	shoch.absorber
7	06547602	2	bellows
8	04452747	2	spacer
9	2.1310.006.2	7	flat washer 10.5
10	2.0112.311.2	3	screw m 10 p.1.5 x 30
11	0.014.3328.0/20	1	shield
12	2.1312.004.2	12	washer 8.4
13	2.0112.309.2	4	screw m 10 p.1.5 x 25
15	2.1475.103.2	4	washer 10.5
16	2.0112.207.2	3	screw m 8 p 1.25 x 20
17	2.0112.223.2	1	screw m 8 p.1.25x70
18	2.1310.004.2	6	flat washer 8.5
19	0.014.3940.0	1	gasket
20	0.014.4049.0	2	gasket
21	04450691	2	cap
22	2.1011.105.2	4	nut m 8 p.1.25
23	04454185/10	1	support
24	04453723	2	screw m 10 x 60
25	2.6839.066.0/10	1	clamp 16
26	2.0112.005.2	1	screw m 6 p.1 x 16
27	2.0112.003.2	9	screw m 6 p.1 x 12
28	2.1312.003.2	8	washer 6

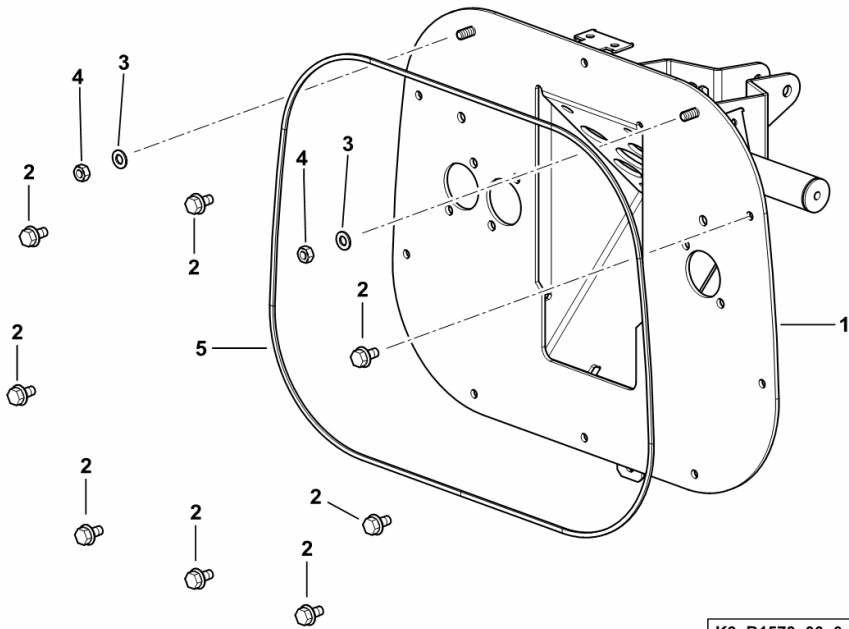
PEDAL SUPPORT

Fig.	Code	QTY	Name
------	------	-----	------

Notes:

[Agrotron K 90 -> 8155 1001]

1	0.012.8869.3/90	1	support
2	2.0365.305.3	8	screw
3	2.1310.004.2	2	flat washer 8.5
4	2.1011.105.2	2	nut m 8 p.1.25
5	4.970.56.075	1.5	sealing compound



K9_B1573_00_0-A-001

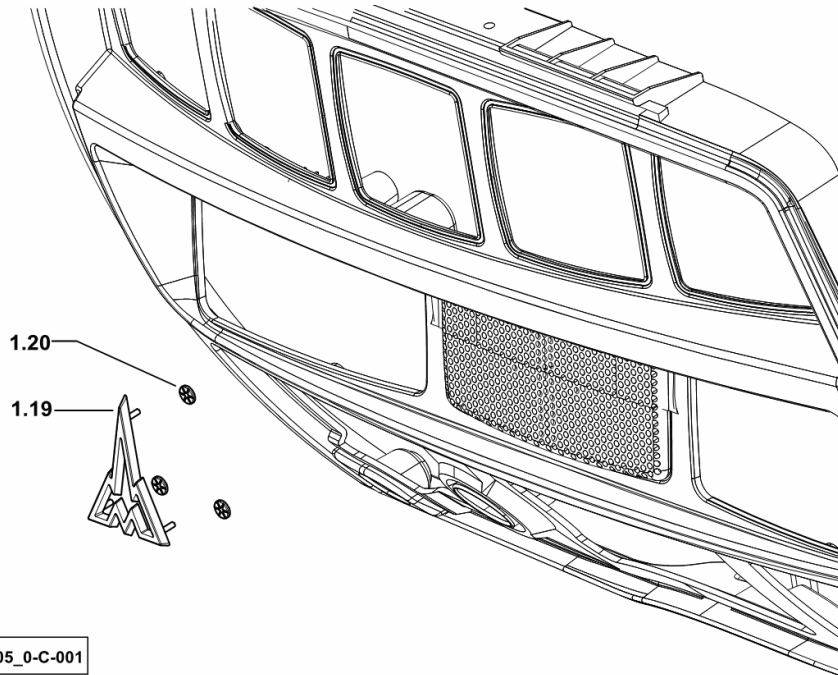
PRODUCT PLATE

Fig.	Code	QTY	Name
------	------	-----	------

Notes:

- FOR LEFT-HAND DRIVE [Agrotron K 90 -> 8155 1001]

1.19	0.013.9984.0/10	1	graphical symbol DEUTZ-FAHR
1.20	2.6999.076.0	3	washer



K9_B1685_05_0-C-001

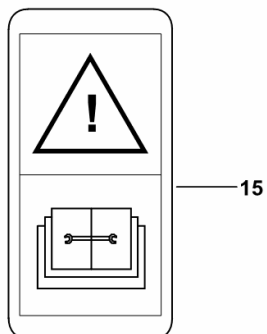
IDENTIFICATION PLATE

Fig.	Code	QTY	Name
------	------	-----	------

Notes:

- FOR TYPES WITH FIXED CAB [Agrotron K 90 -> 8155 1001] -> 2150

15	04453789/10	1	stickers
----	-------------	---	----------



K9_B1666_01_0-C-001

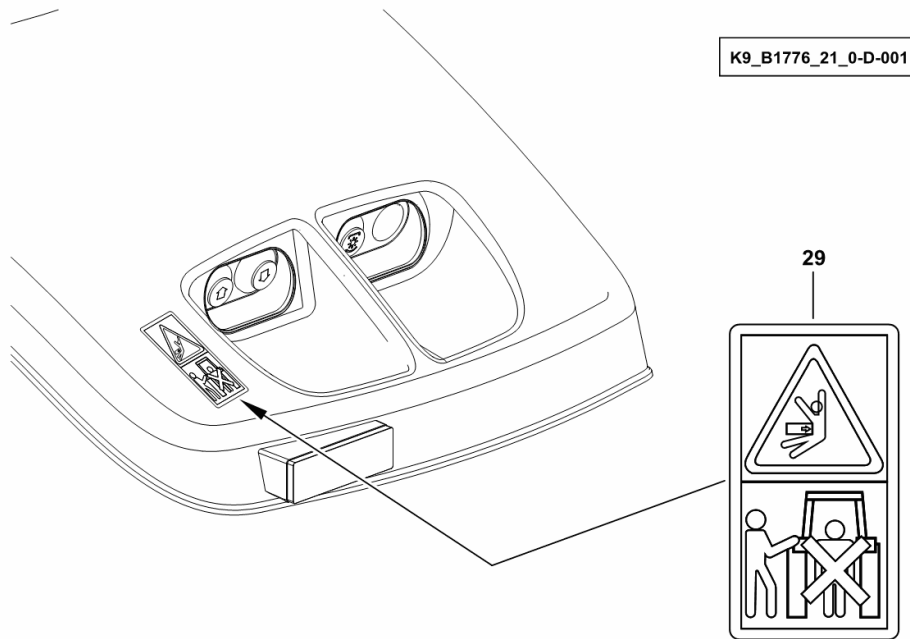
WARNING PLATE - SX/LH/LI

Fig.	Code	QTY	Name
------	------	-----	------

Notes:

- FOR ORANGE TRACTORS [Agrotron K 90 -> 8155 1001]

29	04416339	1	plate
----	----------	---	-------



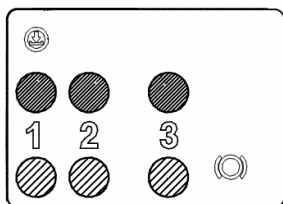
PLATES- FOR 6-WAY DISTRIBUTOR

Fig.	Code	QTY	Name
------	------	-----	------

Notes:

- FOR TYPES WITH HYDRAULIC TRAILER BRAKING (EXPORT F) [Agrotron K 90 -> 8155 1001]

63	04454481	1	stickers
----	----------	---	----------



63

K9_B1589_00_0-C-001

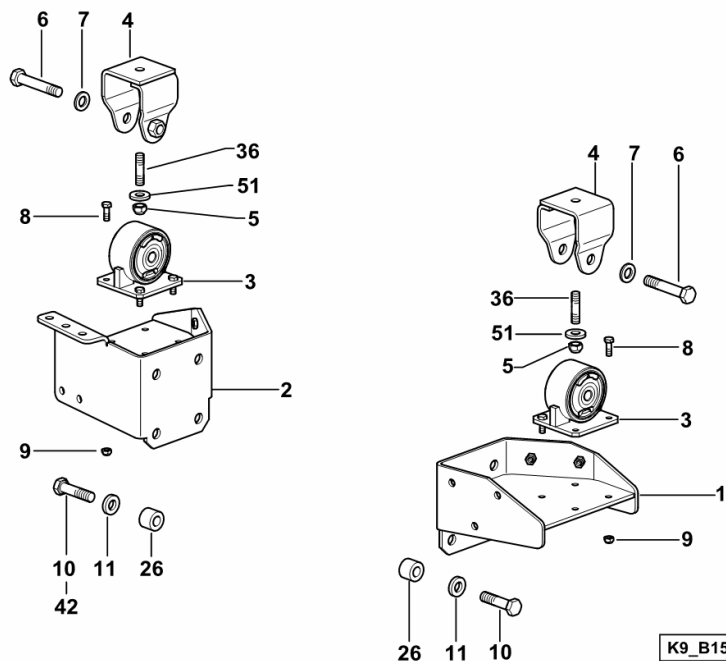
MECHANICAL CAB SUSPENSION - FRONT

Fig.	Code	QTY	Name
------	------	-----	------

Notes:

[Agrotron K 90 -> 8155 1001]

1	0.014.2019.3/40	1	bracket sx/lh/li
2	0.014.2942.3/40	1	bracket dx/rh/re
3	0.013.4925.4/10	2	silent-block
4	0.014.1999.3/40	2	fork
5	2.1121.011.2	4	nut m 16
6	2.0113.831.2	2	screw
7	2.1475.108.2	2	spring washer 20
8	2.0112.311.2	9	screw m 10 p.1.5 x 30
9	2.1121.007.2	10	nut m 10 p.1.5
10	2.0399.301.2	6	screw M 20 p.2X80
11	01167055	8	washer 20.5x40
26	04427061	8	bushing 20.5x40x30
36	2.0439.276.2	2	stud bolt m 16
42	2.0399.302.2	2	screw m 20 p.2x90
51	01139580	4	washer 17



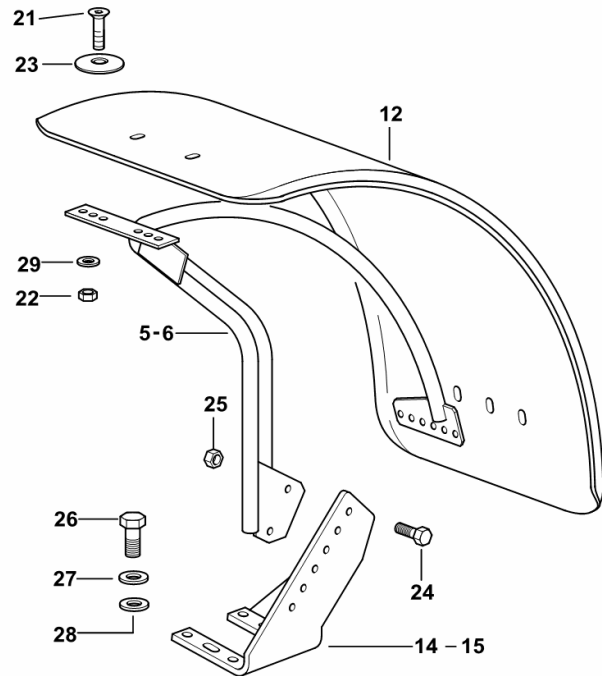
Section: G0 - BODYWORK - CAB
FRONT MUDGUARDS mm 540

Fig.	Code	QTY	Name
------	------	-----	------

Notes:

[Agrotron K 90 -> 8155 1001]

5	04416239	1	support dx/rh/re
6	04416240	1	support sx/lh/li
12	04415576	2	fender mm 540
14	04416249	1	lining dx/rh/re
15	04416250	1	lining sx/lh/li
21	2.0342.308.3	8	screw m 8 p.1.25 x 30
22	2.1011.105.3	8	nut
23	2.1399.016.0	8	washer
24	01124837	4	screw m12x50 d933
25	01125801	4	nut m12 d934-10
26	01112679	8	screw m 16 x 35
27	01174738	8	flat washer 12.5x26x6
28	01139580	8	washer 17
29	04422645	8	washer 8.4



K9_95376_18_0-A-001

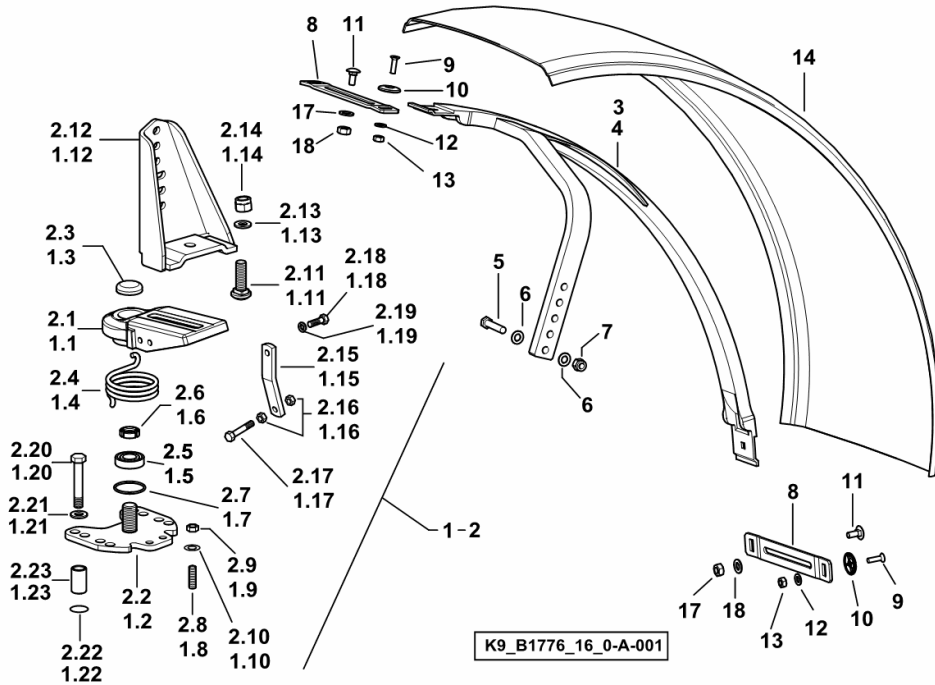
SELF-ADJUSTING FRONT FENDERS mm 420

Fig.	Code	QTY	Name
------	------	-----	------

Notes:

[Agrotron K 90 -> 8155 1001] -> 1551 - 1692 <-

1	0.014.7111.4/20	1	support dx/rh/re
1.1	0.014.7112.0	1	hub
1.2	0.014.7113.3	1	plate
1.3	0.014.7122.0	1	cover
1.4	0.014.7114.0	1	spring dx/rh/re
1.5	2.2999.446.0	2	bearing
1.6	2.1120.006.2	1	nut m 10 p.1.5
1.7	2.1530.140.0	1	rubber ring 56.82x2.62
1.8	2.0599.113.2	1	grain m 14 p.1.5
1.9	2.1011.508.2	1	nut m 14 p.1.5
1.10	2.1475.005.2	1	washer 14
1.11	2.0029.510.2	1	screw m18x50
1.12	0.014.4437.3	1	support dx/rh/re
1.13	2.1310.011.2	1	flat washer 19x34
1.14	2.1120.210.2	1	selflock nut m 18 p.1.5
1.15	0.014.7123.0/10	1	plate
1.16	2.1011.106.2	2	nut m 10 p.1.5
1.17	2.0114.321.2	1	screw m 10 p.1.5x70
1.18	2.0122.361.2	1	screw m 10 p 1.25 x 30
1.19	2.1310.006.2	1	flat washer 10.5
1.20	2.0112.625.2	4	screw m 16 p.2x80 (1649 <-)
1.20	2.0112.622.2	4	screw m 16 p.2x65 (-> 1653)
1.21	2.1310.010.2	4	flat washer 16
1.22	2.1530.033.0	4	'o' ring 13.10x2.62
1.23	2.1549.333.2	4	spacer 19x27x45 (1649 <-)
1.23	2.1549.628.2	4	spacer 19x27x28 (-> 1653)
2	0.014.7116.4/20	1	support sx/lh/li
2.1	0.014.7112.0	1	hub
2.2	0.014.7113.3	1	plate
2.3	0.014.7122.0	1	cover
2.4	0.014.7117.0	1	spring sx/lh/li
2.5	2.2999.446.0	2	bearing
2.6	2.1220.006.2	1	ring nut m 25 x 1,5
2.7	2.1530.140.0	1	rubber ring 56.82x2.62
2.8	2.0599.113.2	1	grain m 14 p.1.5
2.9	2.1011.508.2	1	nut m 14 p.1.5
2.10	2.1475.005.2	1	washer 14
2.11	2.0029.510.2	1	screw m18x50
2.12	0.014.4447.3	1	support sx/lh/li
2.13	2.1310.011.2	1	flat washer 19x34
2.14	2.1120.210.2	1	selflock nut m 18 p.1.5



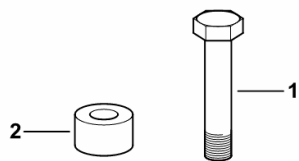
FRONT FENDER SUPPORT FIXING

Fig.	Code	QTY	Name
------	------	-----	------

Notes:

[Agrotron K 90 -> 8155 1001]

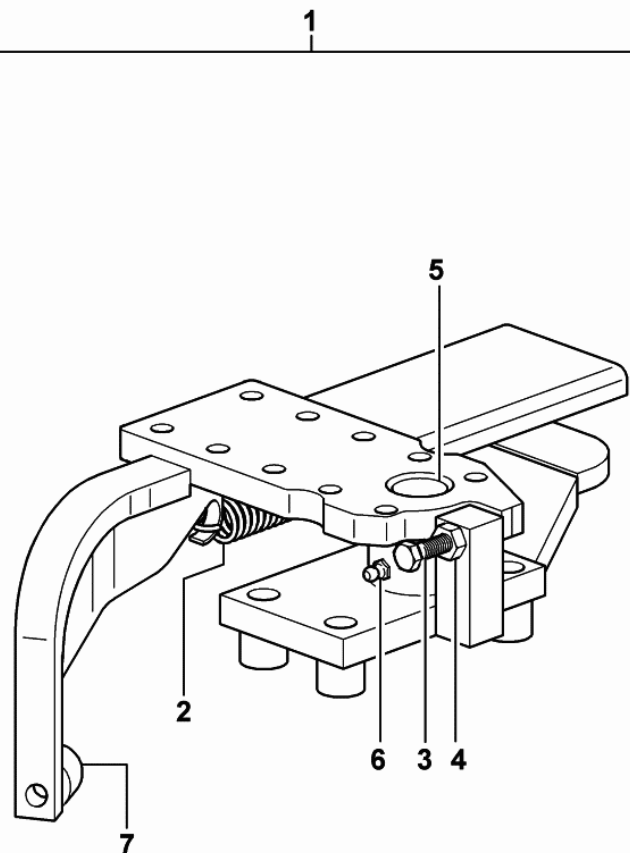
1	2.0112.625.2	8	screw m 16 p.2x80
2	04453761	8	bushing 17x35x20



K9_D3676_18_0-A-001

WING HOLDER

Fig.	Code	QTY	Name
1	04451215.4	1	support dx/rh/re
2	0.900.0002.5	1	spring
3	01112572	1	screw m 12 x 60
4	01112858	1	nut m 12, d934
5	01107755	1	ring 40 x 1,75, d471
6	01100384	1	lubricator
7	0.900.0003.2	1	tube



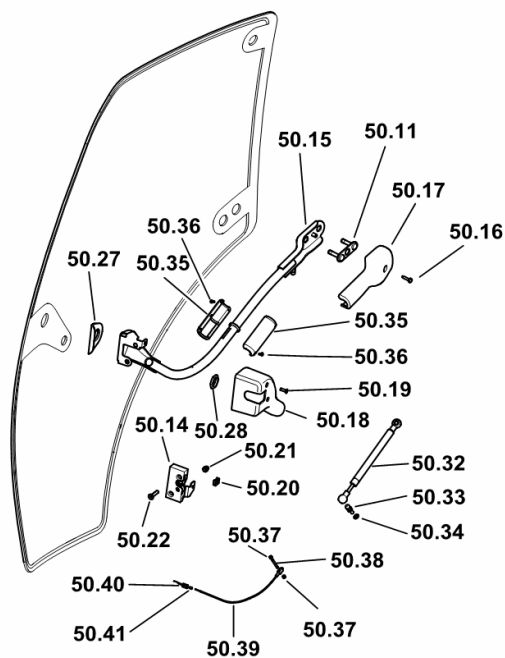
04451215_4

CAB DOOR - DX/RH/RE

Fig.	Code	QTY	Name
------	------	-----	------

Notes:

[Agrotron K 90 -> 8155 1001]



50.11	0.012.6618.3/10	1	plate
50.14	0.012.7012.4	1	lock
50.15	0.012.8714.3/40	1	bracket
50.16	2.0362.209.3	1	screw m 6 x 30
50.17	0.012.8687.0/10	1	cover
50.18	0.012.8715.0	1	hood
50.19	2.0342.205.3	2	screw m 6 p.1 x 20
50.20	2.6999.064.6	2	special nut m 6
50.21	0.012.9034.0	2	insert m 8
50.22	2.0342.310.3	2	screw m 8 p.1.25 x 40
50.27	0.012.8680.0/10	1	gasket
50.28	04416537	1	nut m 28 x 1
50.32	0.013.1659.4	1	shoch.absorber
50.33	2.1699.281.2/10	1	joint
50.34	2.1470.004.2	1	washer 8
50.35	04416216	2	grip
50.36	04413570	4	screw
50.37	04416218	2	spacer
50.38	01144894	1	pin 5 x 35
50.39	0.012.9033.4	1	crate
50.40	0.012.9031.2	1	terminal
50.41	2.0512.002.7	1	grain m 5 p.0.8 x 8

K9_B1571_13_0-B-001

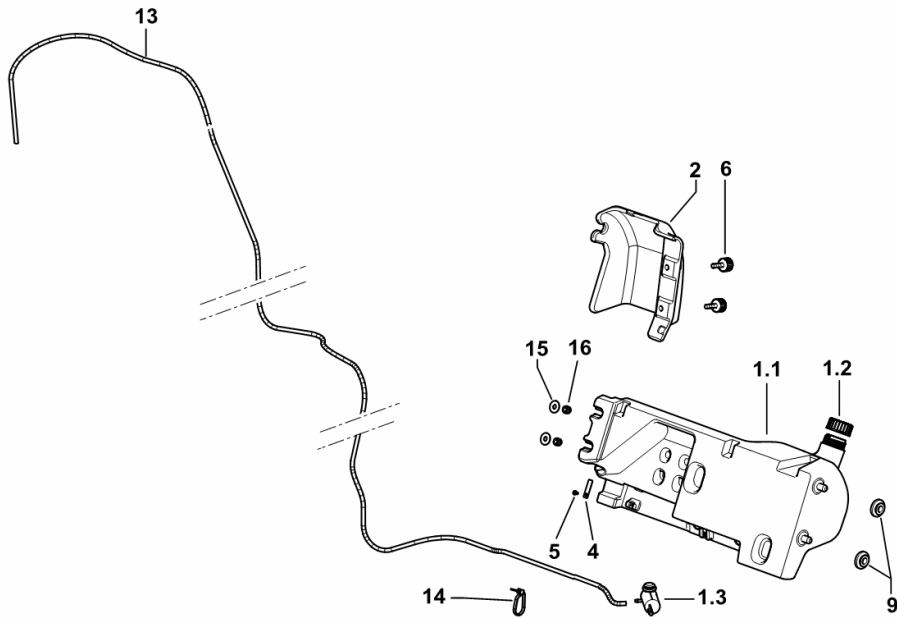
WATER TANK - FOR FRONT WINDSHIEL WIPER

Fig.	Code	QTY	Name
------	------	-----	------

Notes:

[Agrotron K 90 -> 8155 1001] -> 1390 - 2119 <-

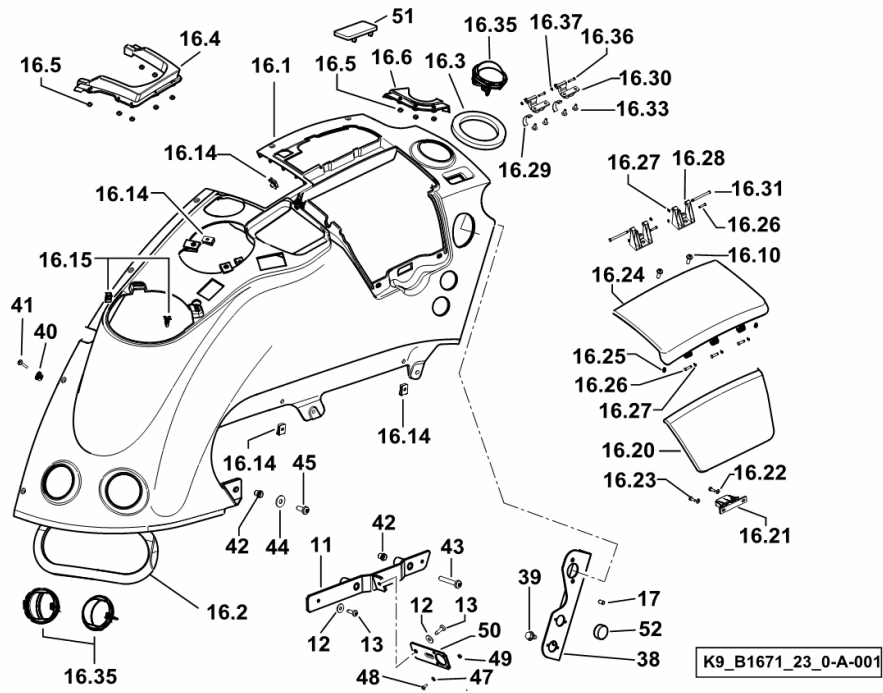
1.1	0.014.1021.2/20	1	tank
1.2	04414770	1	plug
1.3	0.013.8360.0	1	water pump
2	0.013.2168.0/20	1	cover
4	0.013.2178.0	2	plate
5	2.0332.202.3	2	screw m 4 p.0.7x8
6	0.013.2177.3	2	screw
9	2.6569.061.0	2	disc
13	01396853	2.73	flexible hose
14	2.6852.001.0	1	clamp 99 x 2.5
15	2.1399.006.3	2	washer 9.4
16	2.1120.005.2	2	nut m 8 p.1.25



K9_B1671_35_0-A-004

Section: G0 - BODYWORK - CAB
CONTROL CONSOLE RIGHT

Fig.	Code	QTY	Name
51	0.011.3513.0	1	plug
52	04418895	2	plug



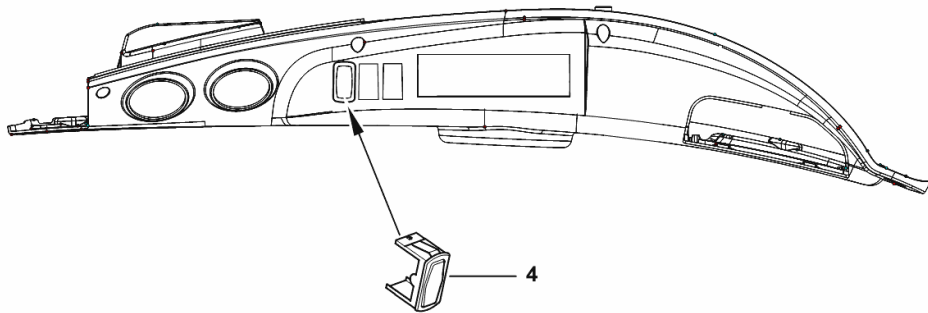
PLUG

Fig.	Code	QTY	Name
------	------	-----	------

Notes:

[Agrotron K 90 -> 8155 1001]

4	0.012.6111.4	1	small cover
---	--------------	---	-------------



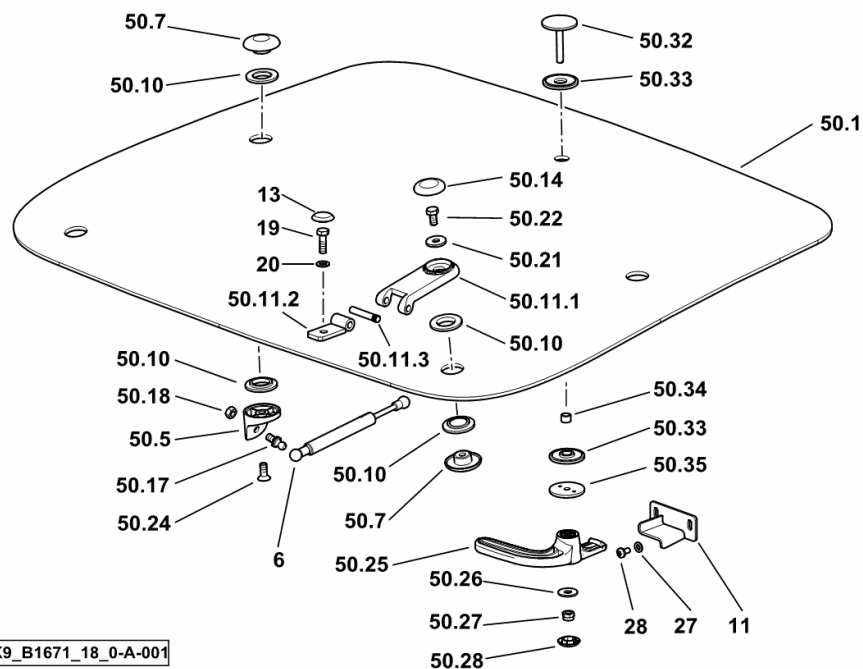
K9_B1671_19_0-B-001

SKYLIGHT

Fig.	Code	QTY	Name
------	------	-----	------

Notes:

[Agrotron K 90 -> 8155 1001] -> 1900



6	04414159	2	shoch.absorber
11	0.014.4993.2	1	support
13	04413793	2	cap
19	2.0112.209.2	2	screw m 8 p 1.25 x 25
20	2.1310.004.2	2	flat washer 8.5
27	2.1310.002.2	2	washer 6.6, d125
28	2.0330.404.2	2	screw m 6 x 12
50.1	0.014.5497.0/10	1	glass
50.5	0.012.6175.0	2	support
50.7	0.012.6176.2/10	4	washer
50.10	0.012.6178.0	8	gasket
50.11.1	0.012.6174.0/20	1	hinge
50.11.2	0.014.5885.2	1	hinge
50.11.3	2.1699.486.2	1	pin
50.14	0.012.6180.0	2	cap
50.17	04399070	2	ball joint
50.18	2.1011.105.2	2	nut m 8 p.1.25
50.21	2.1579.837.2	2	spacer 8 x 25 x 3
50.22	2.0112.205.2	2	screw m 8 p.1.25 x 16
50.24	2.0342.305.3	2	screw m 8 p 1.25 x 20
50.25	0.010.6477.0	1	handle
50.26	2.1312.004.2	1	washer 8.4
50.27	2.1120.005.2	1	nut m 8 p.1.25
50.28	04413793	1	cap
50.32	0.014.4958.2/10	1	smau pin
50.33	0.014.4959.0	2	rubber bushing
50.34	2.1579.776.0	1	spacer 8.8x12x8
50.35	0.014.4966.0	1	washer

K9_B1671_18_0-A-001

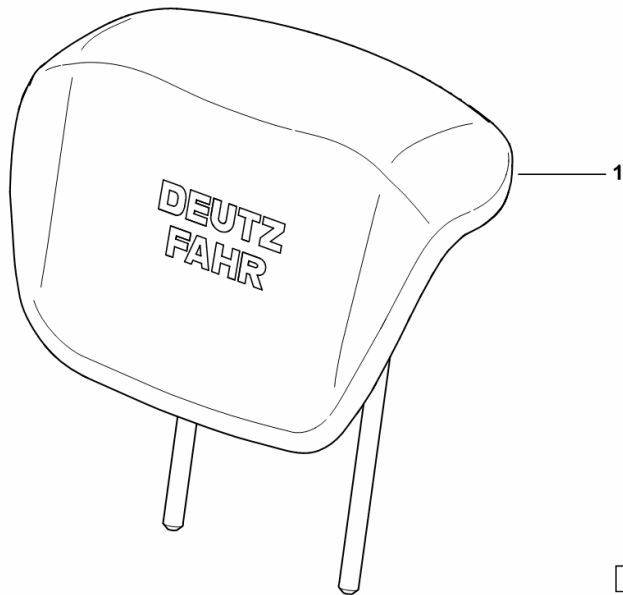
HEAD REST

Fig.	Code	QTY	Name
------	------	-----	------

Notes:

[Agrotron K 90 -> 8155 1001]

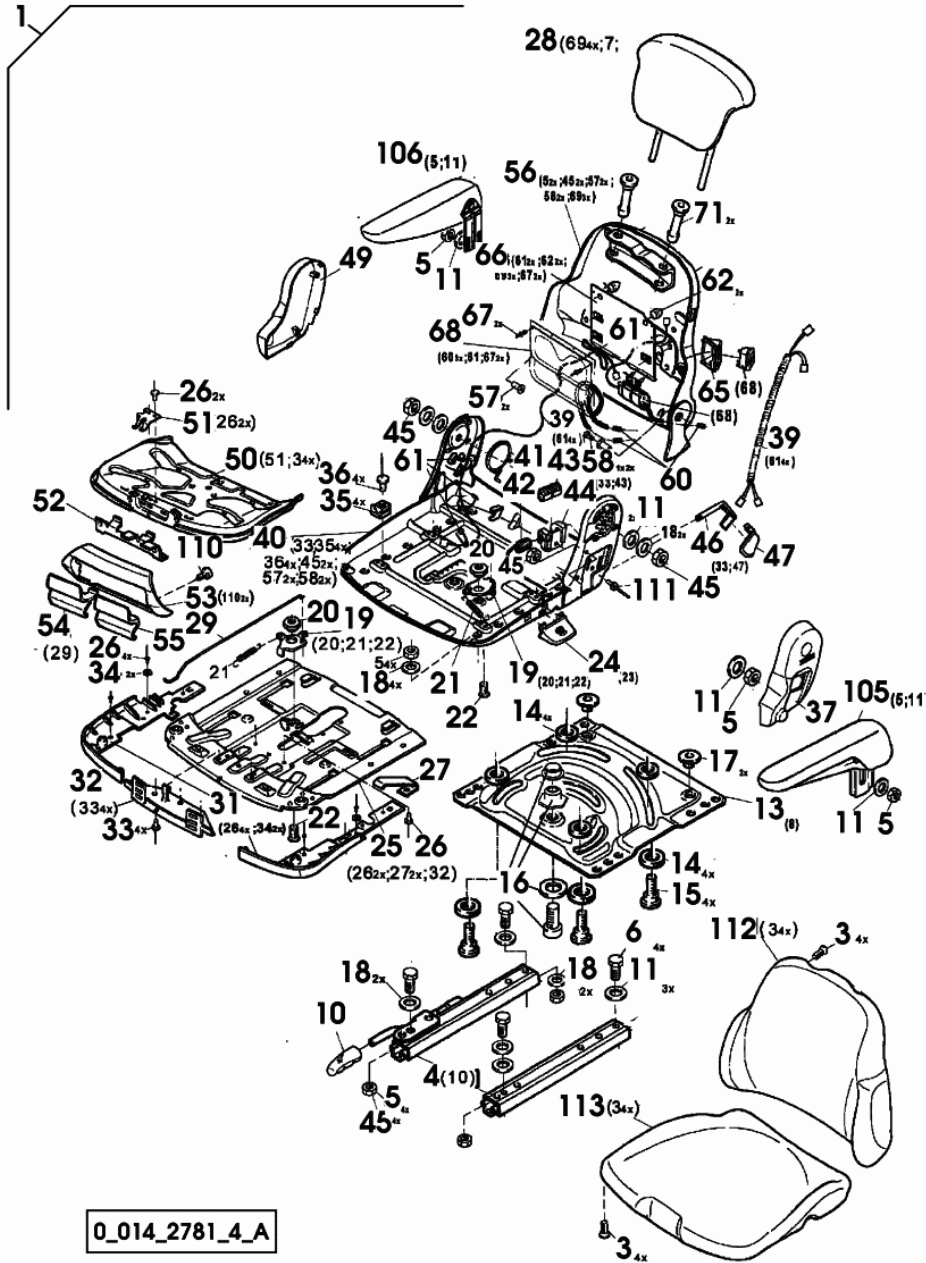
1	0.014.4890.0	1	embroiderhead DEUTZ-FAHR
---	--------------	---	--------------------------



K9_B1575_01_0-A-001

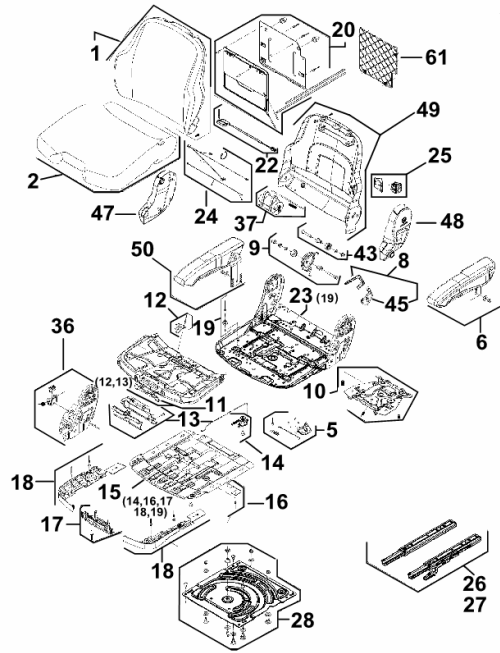
SEAT-COMPONENTS

Fig.	Code	QTY	Name
54	0.010.3071.0	1	handle dx/rh/re
55	0.010.3071.1	1	handle sx/lh/li
56	0.000.0000.1	1	not serviceable
57	0.010.2953.1	2	bushing
58	0.010.2948.0	2	screw m 8 x 40
60	0.010.3510.2	3	guard
61	0.900.0298.5	4	cable
62	02310080	2	shoch.absorber
65	0.010.3066.1	1	body
66	0.010.3067.1	1	plate
67	0.010.3510.1	1	rivet
68	0.010.3067.0	2	support
71	0.010.2950.2	2	bushing
105	0.900.0298.6	1	small arm sx/lh/li
106	0.900.0298.7	1	small arm dx/rh/re
110	0.010.2943.1	2	screw
111	0.900.0298.8	1	rivet
112	0.900.0297.4	1	backrest
113	0.900.0297.5	1	cushion



0_014_2781_4_A

SEAT-COMPONENTS

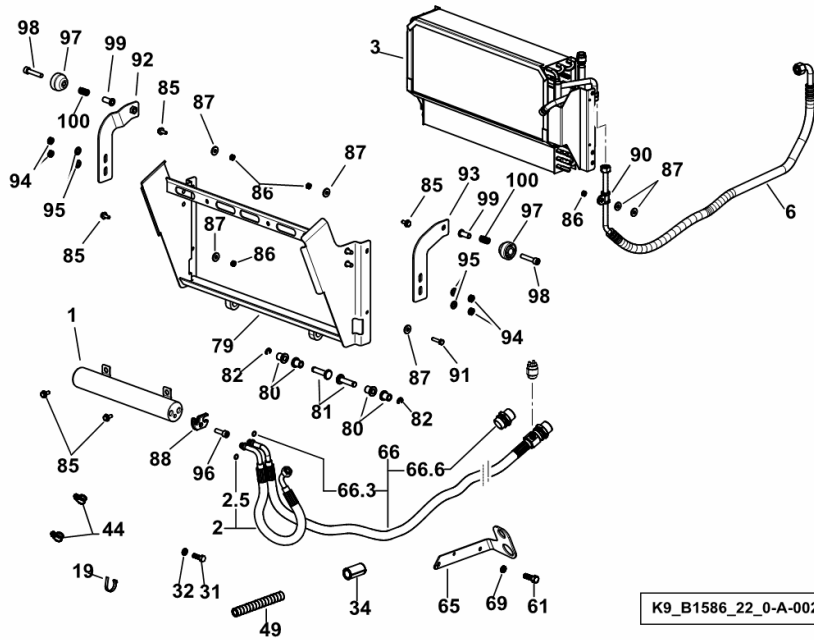


0.014.4949.4_10_A

Fig.	Code	QTY	Name
1	0.900.0297.4	1	backrest
2	0.900.0297.5	1	cushion
5	0.010.3074.0	1	handle
6	0.900.0298.6	1	small arm sx/lh/li
8	0.900.0298.2	1	lever
9	0.900.1533.1	1	bearing
10	0.900.1533.2	1	plate
11	0.900.1533.3	1	small plate
12	0.010.3070.0	1	lamination
13	0.900.1533.3	1	small plate
14	0.010.3071.2	1	lever
15	0.900.1533.4	1	plate
16	0.900.1533.5	1	lamination
17	0.010.3069.1	1	consolle
18	0.010.3069.0	1	hood
19	0.900.1533.6	1	small plate
20	0.900.1533.7	1	plate
22	0.900.1533.8	1	magneto
23	0.010.3905.1	1	plate
24	0.900.1533.9	1	
25	0.900.1534.0	1	body
26	0.900.0371.4	1	seat guide
27	0.900.1534.1	1	sub-assy parts
28	0.900.1534.2	1	plate
36	0.900.0298.1	1	accessories
37	0.900.1534.3	1	gear compressor
43	0.900.1534.4	1	bearing
45	0.900.0298.3	1	lever
47	0.900.0298.4	1	cover dx/rh/re
48	0.900.0297.7	1	cover sx/lh/li
49	0.900.1534.5	1	backrest
50	0.900.0298.7	1	small arm dx/rh/re
61	0.900.1420.2	1	net mesh

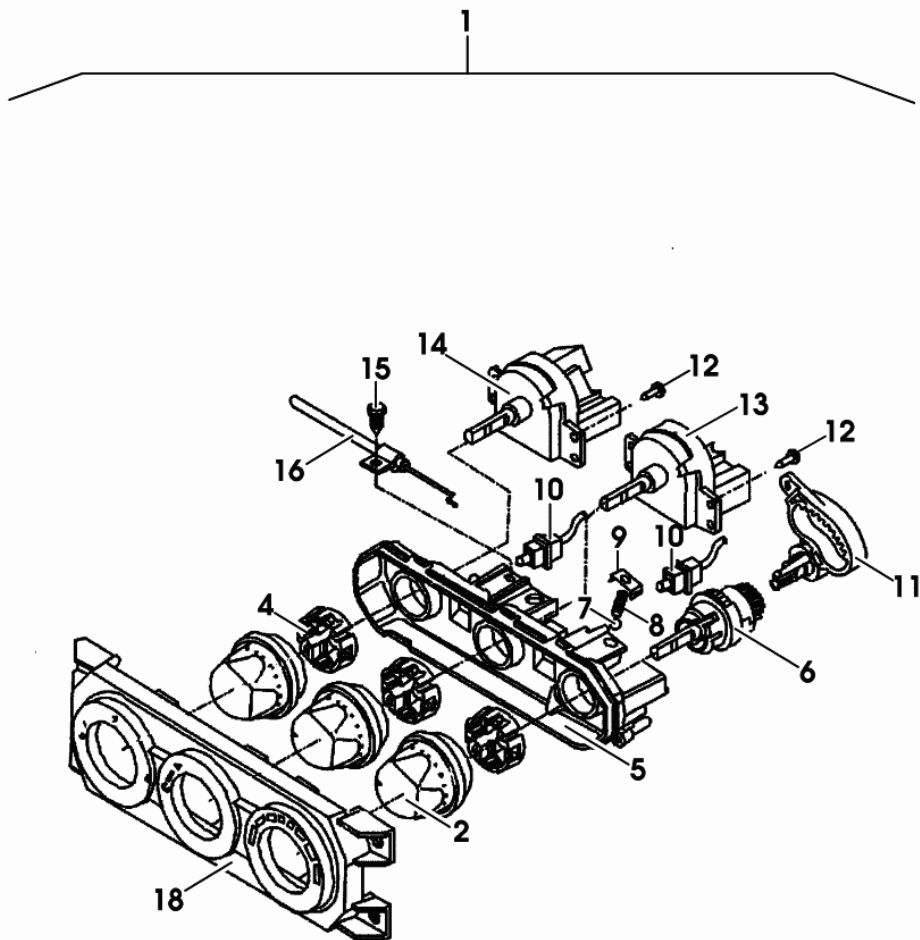
VENTILATION - AIR CONDITIONING

Fig.	Code	QTY	Name
96	2.0312.208.2	1	screw m 8 p.1.25 x 25
97	0.014.4770.0	2	knob (1268 <-)
97	0.014.4770.0/10	2	knob (-> 1251)
98	2.0312.214.2	2	screw m 8 p.1.25 x 40
99	0.014.4769.0/10	2	bushing
100	2.4049.136.2	2	spring (1268 <-)
100	2.4019.797.2	2	spring (-> 1251)



HEATER PARTS

Fig.	Code	QTY	Name
1	0.014.5537.4	1	control grp.
2	0.900.0032.5	3	knob
4	0.900.0032.7	3	power control
5	0.900.0032.8	1	support
6	0.900.0032.9	1	pin
7	0.900.0033.0	1	ball
8	0.900.0033.1	1	spring
9	0.900.0033.2	1	stop
10	0.010.2530.1	2	wire
11	0.900.0033.3	1	lever
12	0.010.2529.2	4	screw m 3x10
13	0.010.2532.0	1	switch
14	0.010.2528.1	1	switch
15	0.900.0033.5	1	screw 5x10
16	0.900.0399.6	1	tube
18	0.900.0033.7	1	screen



0_014_5537_4

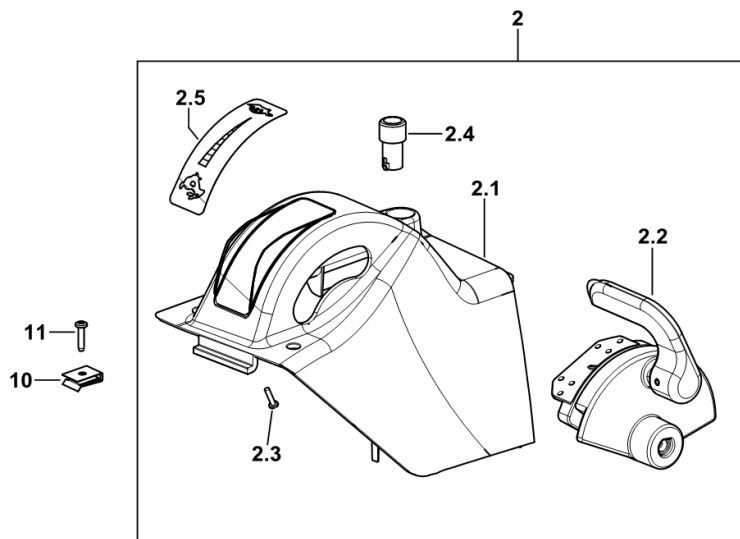
HAND CONTROL FOR ELECTRONIC THROTTLE

Fig.	Code	QTY	Name
------	------	-----	------

Notes:

[Agrotron K 90 -> 8155 1001]

2	0.013.8469.4/20	1	consolle
2.1	0.013.8469.0/10	1	support
2.2	0.014.2659.0/10	1	lever
2.3	2.0361.207.2	6	screw 3x12
2.4	2.7659.256.0	1	switch (1013 <-)
2.4	2.7659.256.0/10	1	switch (-> 1017)
2.5	0.014.4092.0	1	stickers
10	2.6999.052.0	4	small spring m 3.5
11	2.0350.255.3	4	screw m 3.5 x 16 -AB-



K9_B1564_04_0-B-001

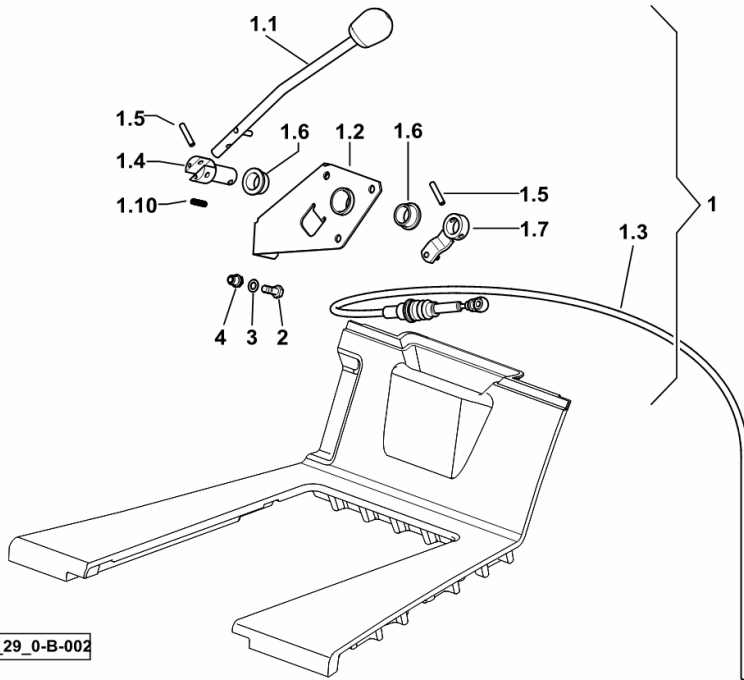
DISTRIBUTOR CONTROL

Fig.	Code	QTY	Name
------	------	-----	------

Notes:

- FOR TYPES WITH AUTOMATIC REAR TOWING HITCH [Agrotron K 90 -> 8155 1001] -> 1298

1	0.013.0302.4/30	1	lever
1.1	0.013.0297.4/10	1	lever
1.2	0.013.0301.2	1	bracket
1.3	0.013.0296.3/30	1	rod
1.4	04411666	1	pin
1.4	0.014.8401.0	1	pin
1.5	2.1630.613.0	2	roll pin 6 x 30
1.6	04413063	2	bushing
1.7	04411668.4	1	lever
1.10	04414547	1	spring
2	2.0112.208.2	3	screw m 8 p.1.25 x 22
3	2.1470.004.2	3	washer 8
4	0.012.9034.0	3	insert m 8



K9_B1571_29_0-B-002

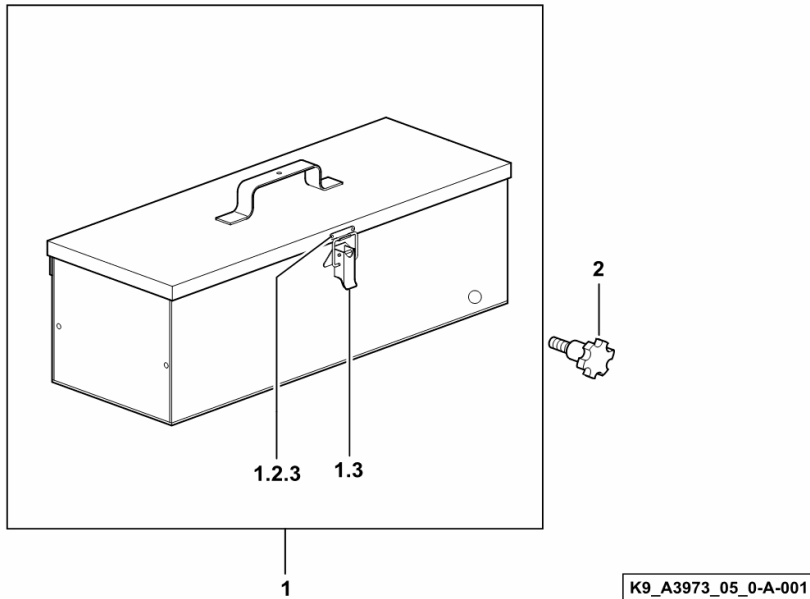
METAL TOOLBOX

Fig.	Code	QTY	Name
------	------	-----	------

Notes:

[Agrotron K 90 -> 8155 1001] 1095 <-

1	04450957.4/10	1	metal toolbox
1.2.3	04436056	1	clevis
1.3	04450958	1	stop
2	04422689	1	knob



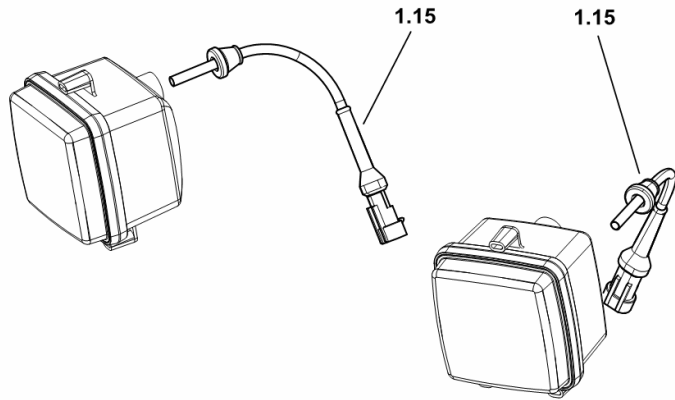
CABLE WORKING SPOTLIGHT FRONT

Fig.	Code	QTY	Name
------	------	-----	------

Notes:

- FOR RIGHT-HAND DRIVE [Agrotron K 90 -> 8155 1001]

1.15	0.013.4085.4/20	2	electrical system
------	-----------------	---	-------------------



K9_B1685_01_0-D-001

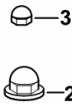
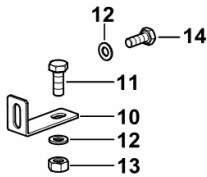
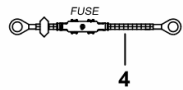
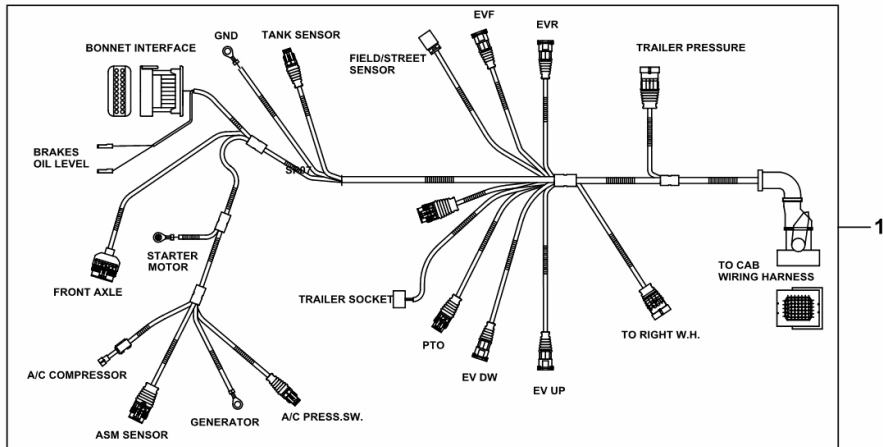
Section: L0 - ELECTRIC AL SYSTEM
ENGINE ELECTRICAL SYSTEM

Fig.	Code	QTY	Name
------	------	-----	------

Notes:

- EXPORT U.S.A. [Agrotron K 90 -> 8155 1001]

1	0.015.0553.4	1	electrical system
2	04415863	1	tube
3	01174042	1	cap
4	0.014.3658.4/20	1	electrical system
8	04365989	1	tube
10	0.015.0784.0/10	1	bracket
11	2.0114.207.2	1	screw m 8 p.1.25 x 20
12	2.1470.004.2	2	washer 8
13	2.1011.105.2	1	nut m 8 p.1.25
14	2.0114.205.2	1	screw m 8 p.1.25 x 16



K9_B1685_00_0-A-001

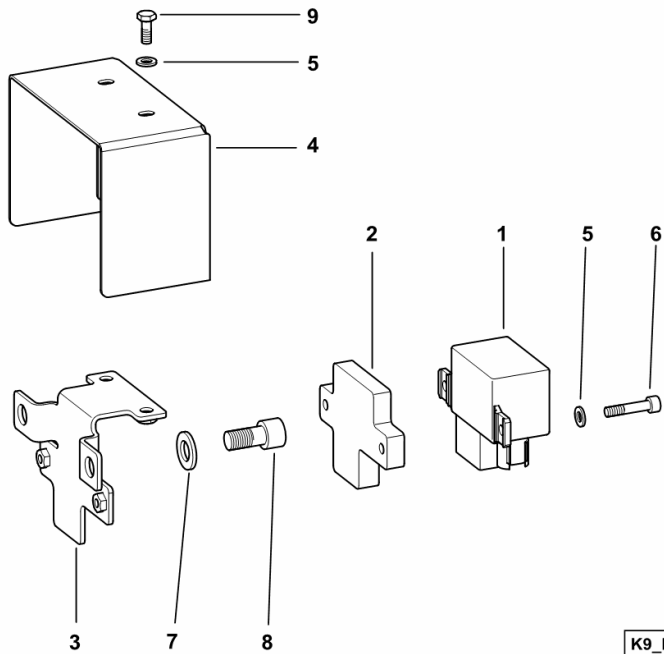
PRE-HEATING RELAY

Fig.	Code	QTY	Name
------	------	-----	------

Notes:

[Agrotron K 90 -> 8155 1001]

1	2.7659.240.0/10	1	relay 12 V 130A
2	0.013.3699.0/20	1	rubber plug
3	0.014.2518.3	1	support
4	0.014.3083.0	1	hood
5	2.1310.002.2	4	washer 6.6, d125
6	2.0312.110.2	2	screw m 6 p.1x30
7	2.1310.007.2	2	flat washer 13.5
8	2.0312.408.2	2	screw m 12 p.1.75 x 25
9	2.0114.005.2	2	screw m 6 p.1.0 x 16



K9_B1619_01_0-A-001

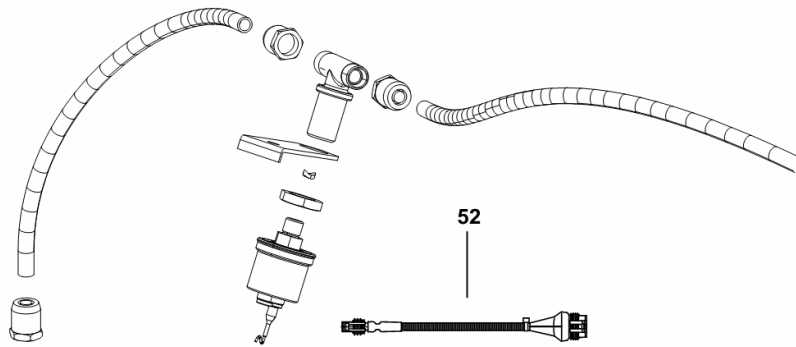
PRESSURE SWITCH WIRING FOR AIR BRAKING SYSTEM

Fig.	Code	QTY	Name
------	------	-----	------

Notes:

[Agrotron K 90 -> 8155 1001]

52	04437355.4/10	1	wire
----	---------------	---	------



K9_B1589_15_0-G-001

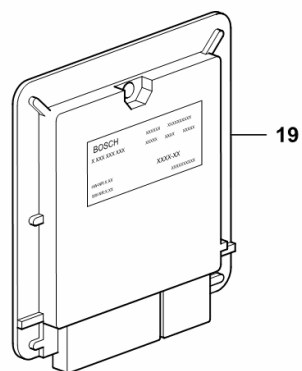
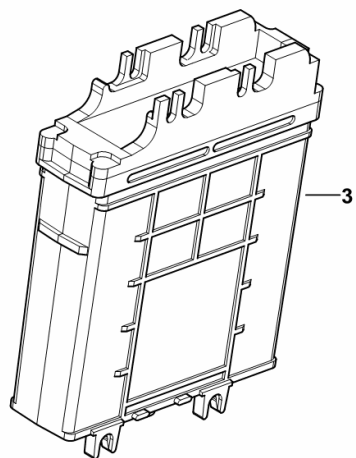
RIGHT-HAND CONSOLE CONTROL UNITS

Fig.	Code	QTY	Name
------	------	-----	------

Notes:

[Agrotron K 90 -> 8155 1001]

3	2.8519.087.0	1	central device EST 57A
19	2.8519.037.0/30	1	central device HLHP (1717 <-)
19	2.8519.067.0/10	1	central device HLHP (-> 1718)



K9_B1584_00_0-B-001

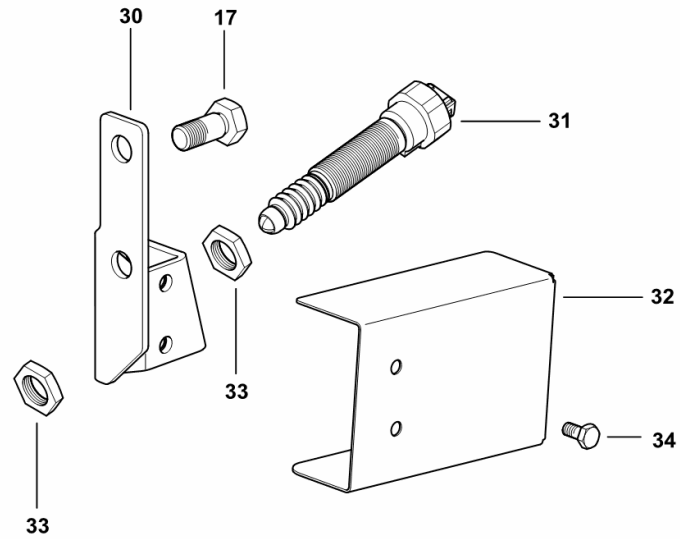
FRONT SUSPENSION POSITION SENSOR

Fig.	Code	QTY	Name
------	------	-----	------

Notes:

- FOR TYPES WITHOUT HYDRAULIC TRAILER BRAKING [Agrotron K 90 -> 8155 1001] -> 2157

17	2.0114.613.2	2	screw m 16 x 35
30	04455638	1	bracket
31	0.009.2194.4/20	1	sensor
32	04455639	1	shield
33	01127817	2	nut
34	2.0114.205.2	2	screw m 8 p.1.25 x 16



K9_G3743_10_0-C-001

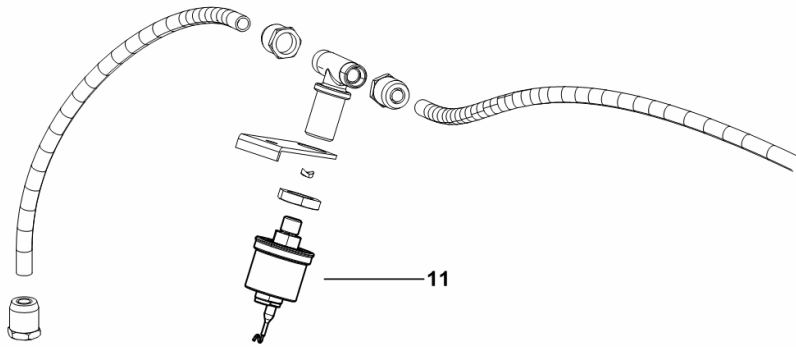
AIR BRAKING SYSTEM PRESSURE SWITCH - EXPORT D

Fig.	Code	QTY	Name
------	------	-----	------

Notes:

- FOR TYPES WITH HYDRAULIC TRAILER BRAKING (EXPORT D) (EXPORT D) AND FOR MEDIUM HYDRAULIC SYSTEM [Agrotron K 90 -> 8155 1001]

11	0.011.9428.0	1	pressure switch
----	--------------	---	-----------------



K9_B3689_15_0-F-001

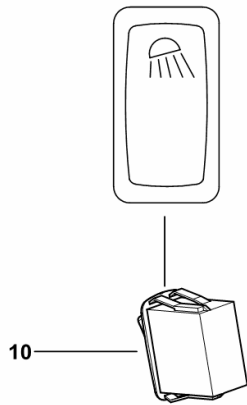
WORKLIGHTS SWITCH

Fig.	Code	QTY	Name
------	------	-----	------

Notes:

[Agrotron K 90 -> 8155 1001]

10	0.012.5954.4	1	switch
----	--------------	---	--------



K9_B1571_32_0-B-001

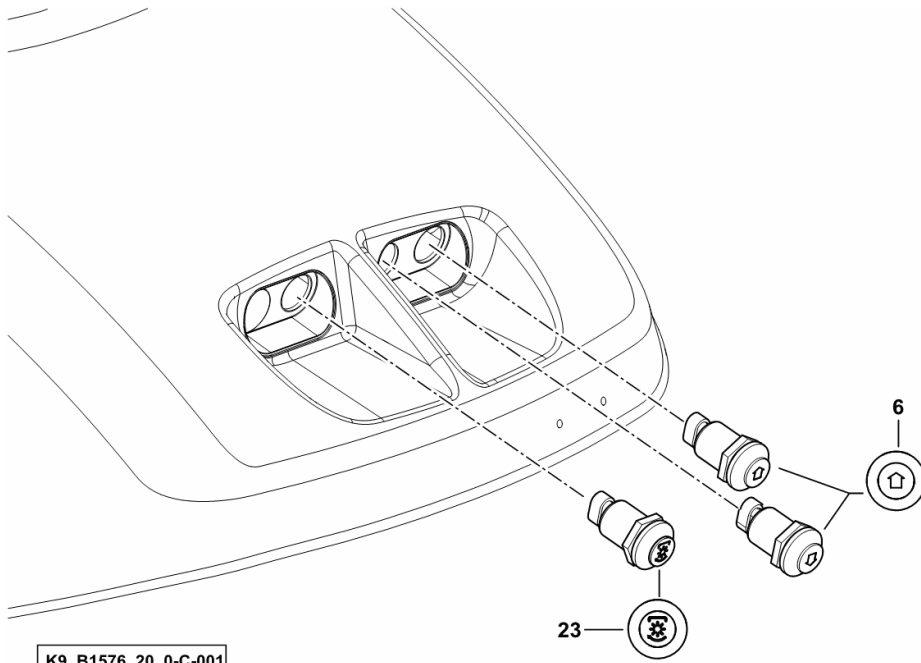
PUSHBUTTONS FOR FRONT LIFT AND P.T.O. - DX/RH/RE

Fig.	Code	QTY	Name
------	------	-----	------

Notes:

- EXPORT U.S.A. [Agrotron K 90 -> 8155 1001] 1764 <- [Agrotron K 90 -> 8155 1001]

6	2.7659.182.0	2	push-button
23	2.7659.177.0/20	1	push-button P.T.O.



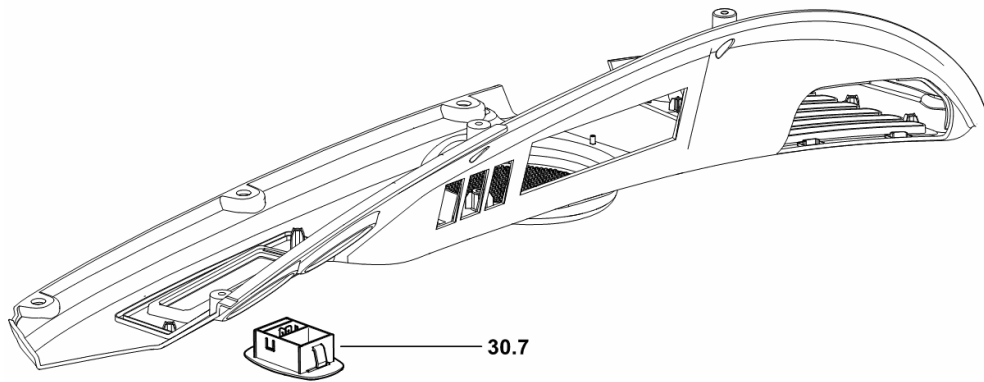
COURTESY LIGHT

Fig.	Code	QTY	Name
------	------	-----	------

Notes:

[Agrotron K 90 -> 8155 1001]

30.7	2.8339.074.0	1	interior light
------	--------------	---	----------------



K9_B1871_21_0-C-001

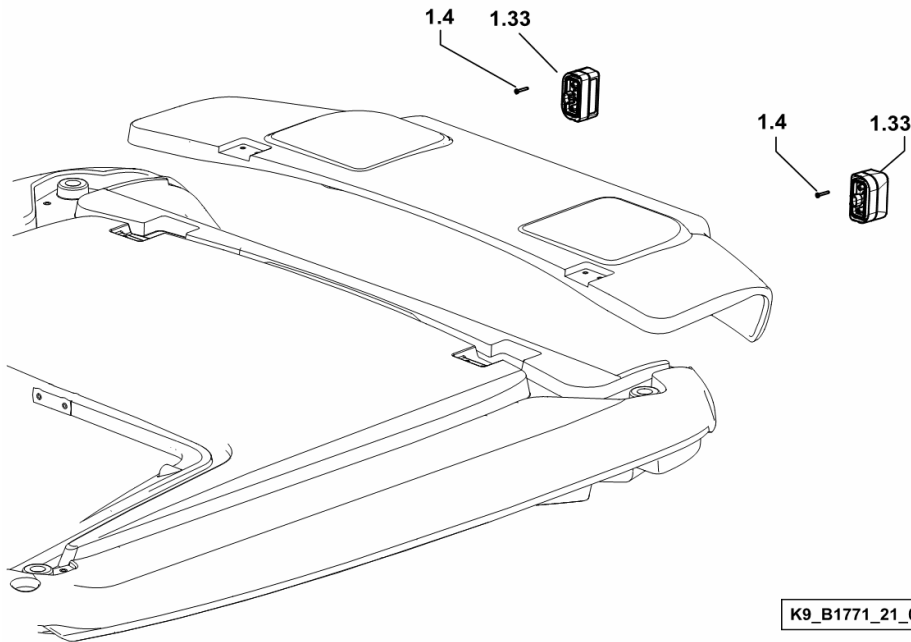
LICENCE PLATE LIGHT

Fig.	Code	QTY	Name
------	------	-----	------

Notes:

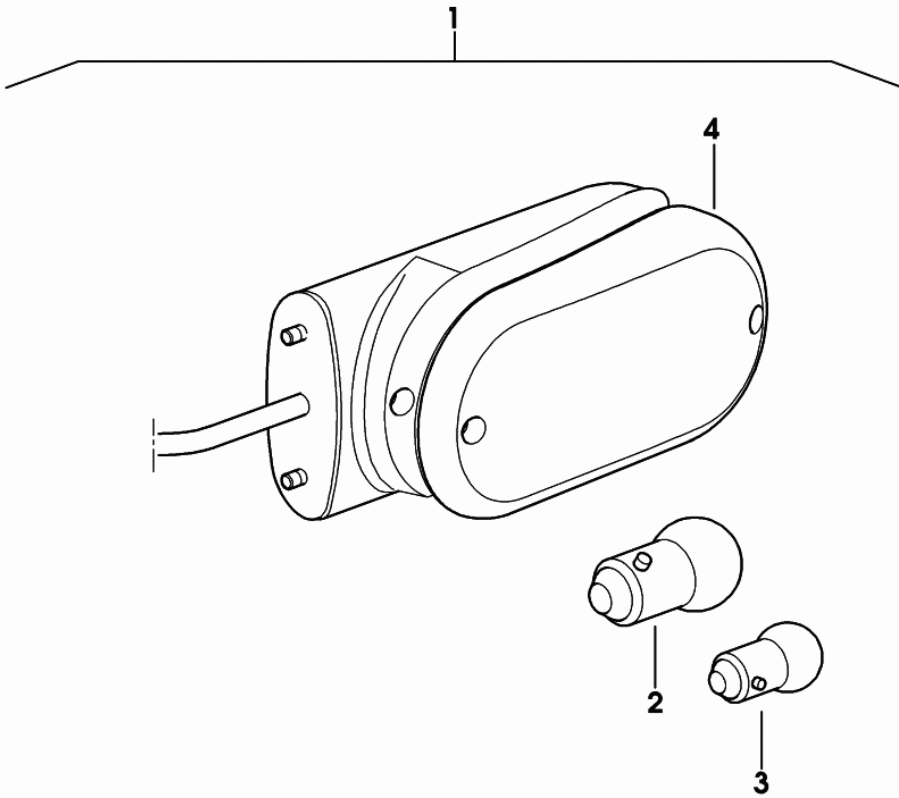
- ROOF VERSION WITH ORANGE HATCH [Agrotron K 90 -> 8155 1001]

1.4	2.0350.208.6	4	screw m 3.5 x 25
1.33	2.8059.526.0	2	side lamp
			☞ 2.8059.526.0



FRONT LIGHTS sx/lh/li

Fig.	Code	QTY	Name
1	2.8039.280.0	1	lamp sx/lh/li
2	0.900.0050.1	1	lamp 12V 21W
3	0.900.0049.6	1	lamp 12 V, 5 W
4	0.900.0050.2	1	glass



2_8039_280_0

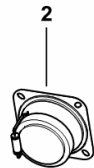
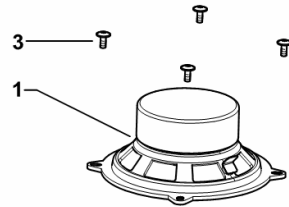
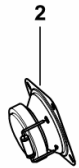
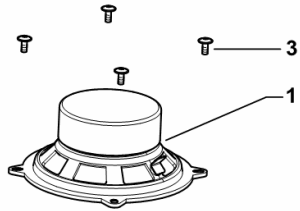
LOUDSPEAKERS

Fig.	Code	QTY	Name
------	------	-----	------

Notes:

[Agrotron K 90 -> 8155 1001] -> 1660

1	0.013.2161.0	2	loud speaker
2	0.012.1725.0	2	loud speaker
3	2.0363.103.3	8	screw



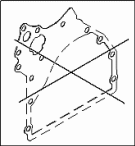
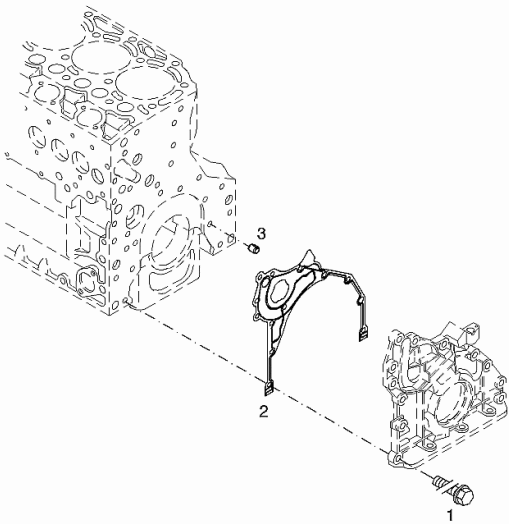
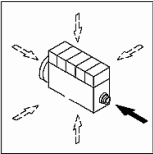
K9_B1584_40_0-A-001

FASTENINGS

Fig.	Code	QTY	Name
10507033	10507034	10507035	10507036
10507037	10507038	10507039	10507207
10507209	10507210	10507211	10507212
10507213	10507214	10507215	10507216
10507217	10523156	10523679	10523680
10523681	10523682	10534965	10534966
10534967	10534968	10534969	10534970
10534971	10534972	10539811	10539812
10539813	10539824	10539825	10539826
10543932	10543933	10543934	10543936
10543937	10543938	10543939	10543940
10543941	10543942	10543943	10543944
10543945	10543947	10543948	10543949
10543950	10543951	10543952	10543953
10543954	10543955	10543956	10543957
10543958	10543959	10543960	10543963
10543964	10543966	10544762	10544763
10544764	10544765	10544766	10544767
10544769	10544770	10544771	10544772
10544773	10544774	10544775	10544776
10544777	10544778	10544779	10544780
10544781	10544782	10544783	10544785
10544786	10544787	10544788	10544789
10544790	10545488	10545489	10545490
10545491	10545492	10545494	10545495
10545496	10545497	10545499	10545500
10545501	10545503	10545504	10545505
10545506	10545507	10545508	10545509
10545510	10545511	10545512	10546376
10546377	10546379	10546381	10546382
10546383	10546385	10547022	10547023
10547024	10547025	10547026	10547027
10547028	10547029	10547030	10547031
10547032	10547033	10547034	10547035
10547036	10547037	10547038	10547039
10547040	10547041	10547042	10547043
10547044	10547045	10547047	10547048
10547049	10547050	10547051	

003 ©

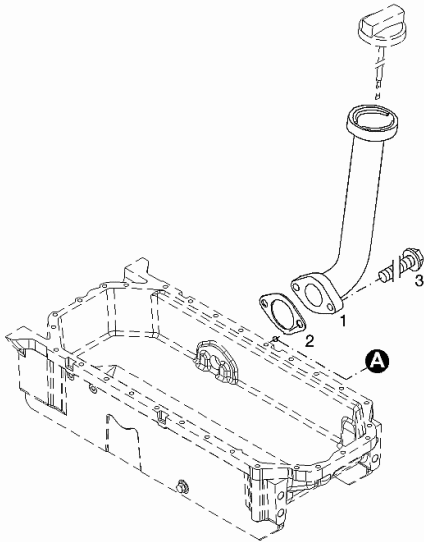
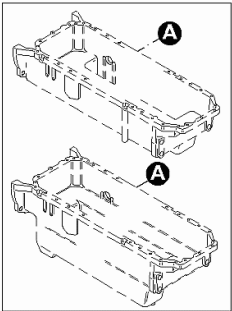
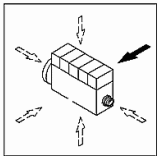
1	01143362	12	screw 5 Nm, 21 Nm refer to service centre manual EN 1662 -F-M8X35-10.9-A4C
2	04504325	1	gasket
3	01181406	1	bushing H 2341 -B11X8-FE/ZN12C*



Section: B0 - ENGINE
OIL FILLER NECK

Fig.	Code	QTY	Name
10206101	10206102	10206103	10206104
10206105	10221213	10221214	10221215
10221216	10221217	10221218	10221219
10221220	10222174	10222175	10222176
10222177	10222178	10222179	10222180
10222181	10222182	10222183	10222184
10222185	10222186	10222187	10222188
10224811	10224812	10234436	10234437
10234438	10236354	10236355	10236356
10236357	10237262	10237263	10237264
10237265	10237266	10237269	10237570
10237571	10237572	10238528	10238529
10238530	10238532	10239701	10239702
10239704	10239705	10252705	10252723
10252724	10252808	10252810	10252814
10252816	10254234	10254236	10254237
10254238	10254239	10254240	10254241
10254242	10254243	10255361	10255362
10255363	10260973	10260977	10260978
10260981	10260982	10260987	10263771
10263772	10263773	10263774	10263777
10263779	10263780	10263782	10263783
10271491	10271492	10271493	10271494
10271496	10271497	10271498	10271499
10271500	10271501	10271502	10272271
10272272	10272273	10272275	10272276
10272277	10272287	10272289	10272290
10272291	10272292	10272293	10272294
10272295	10272296	10272297	10272299
10274827	10279083	10279084	10279088
10279086	10279087	10279094	10279095
10279096	10279097	10279098	10279099
10279101	10279102	10279103	10279104
10279105	10279106	10279108	10279109
10279110	10279111	10279139	10279140
10279141	10279143	10279144	10279474
10279475	10279476	10279477	10279478
10279479	10279480	10279481	10279482
10279483	10279484	10279485	10279486
10279487	10279488	10279490	10280578
10280579	10280580	10280581	10280582
10280583	10280584	10289911	10289912
10289913	10289914	10289915	10289916
10289917	10289919	10289920	10289921
10290828	10290829	10290830	10290831
10291416	10291417	10291418	10300595
10300596	10300597	10300599	10300600
10300601	10300602	10300603	10300604
10300605	10300606	10305535	10305536
10305537	10305538	10305539	10305540
10305541	10305542	10305543	10305544
10305545	10305546	10305547	10306613
10306615	10306616	10306617	10306618
10306619	10306620	10306621	10306622
10306623	10306624	10306625	10306626
10306627	10306628	10306629	10306630
10306631	10306632	10306633	10306634
10310524	10310525	10310526	10310527
10310528	10310529	10310530	10310531
10310617	10310618	10310619	10310620
10310621	10310622	10310623	10310624
10310625	10310626	10314338	10314339
10314340	10314341	10314342	10314343
10314344	10314345	10314346	10314347
10314348	10314349	10314350	10314351
10314352	10314353	10314754	10314755
10314756	10314757	10314758	10314759
10314760	10314761	10314762	10314763
10314764	10314765	10315151	10315152
10315153	10315154	10315155	10315156
10315157	10315158	10315159	10317918
10317919	10317920	10317921	10317922
10317923	10317924	10317925	10317926
10317927	10317928	10317929	10317930
10317931	10317932	10317933	10317934
10323591	10323592	10323593	10323594
10323595	10323596	10323597	10323598
10323599	10323600	10323601	10323602
10323603	10323604	10323605	10323606
10323607	10323608	10323609	10323610
10323611	10323612	10324426	10324427
10324428	10324429	10324430	10328431
10330543	10330544	10330545	10330546
10330547	10330548	10330549	10330550
10330551	10330552	10330553	10330554
10330555	10330556	10330557	10348454
10348455	10348456	10348457	10348458
10348459	10348460	10348461	10348462
10348463	10348464	10348465	10348466
10348467	10348468	10348469	10348470
10358269	10358270	10361491	10361492
10361493	10361494	10361495	10361496
10361497	10361498	10361499	10361500
10361501	10361502	10361503	10361504
10361505	10361506	10361507	10361508
10361509	10361510	10366853	10366854
10366855	10366856	10366857	10366858
10366859	10366860	10374164	10374165
10374166	10374169	10374170	10374171
10374172	10374173	10376445	10376446
10376447	10376448	10376449	10376451
10376452	10376453	10376454	10386278
10386279	10386279	10386739	10386740
10386741	10386742	10386744	10386745
10386746	10386747	10386748	10396633
10396634	10396635	10396636	10396637
10396638	10396639	10396640	10396641
10396642	10396643	10396644	10396645
10396646	10396647	10396648	10396649
10396650	10396651	10396652	10401503
10401505	10401507	10401508	10401509
10401510	10401511	10401512	10416957
10416958	10416959	10416960	10416961
10416962	10416963	10416964	10416965
10416966	10416967	10416968	10416969
10416970	10416971	10423122	10423123
10423124	10423125	10423126	10423127
10423128	10423129	10423130	10423131
10423132	10423133	10423135	10423137
10423138	10423139	10423141	10423142
10423143	10433651	10433652	10453034
10453035	10453036	10453037	10453038
10453039	10453040	10453041	10453042
10453043	10453044	10453045	10453046
10463671	10463672	10463673	10463675
10463677	10463678	10463680	10466692
10466694	10485102	10485103	10485106
10485107	10485108	10485109	10485111
10485472	10485473	10485474	10485476
10485477	10485478	10485479	10485481
10485482	10488558	10488559	10488560
10488561	10488562	10488563	10488564
10488565	10488566	10490739	10490874
10490875	10490876	10490877	10490878
10490879	10490880	10490881	10490882
10490883	10490884	10490885	10490886
10490887	10490888	10490889	10499508
10507017	10507018	10507019	10507020
10507021	10507022	10507023	10507024
10507025	10507026	10507027	10507028
10507029	10507030	10507031	10507032
10507033			

001 ©

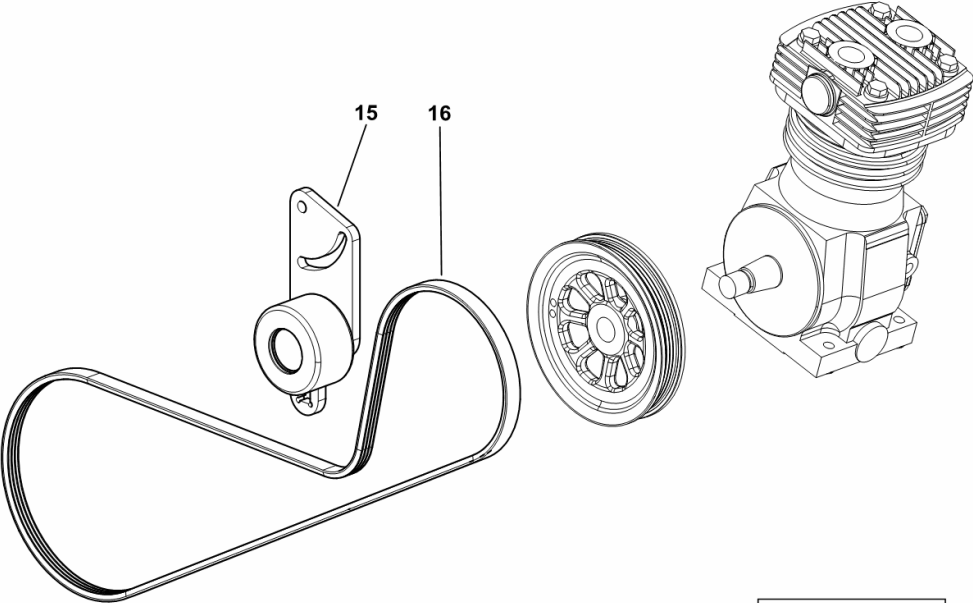


COMPRESSOR BELT AND BELT TENSIONER

Fig.	Code	QTY	Name
------	------	-----	------

Notes:
 - WITH HYDRAULIC BRAKING FOR ITALIAN TRAILER AND FOR MEDIUM HYDRAULIC SYSTEM [Agrotron K 90 -> 8155 1001]

15	04454643.4	1	tensioner
16	04454180	1	belt PV-K 14.2x1410 mm



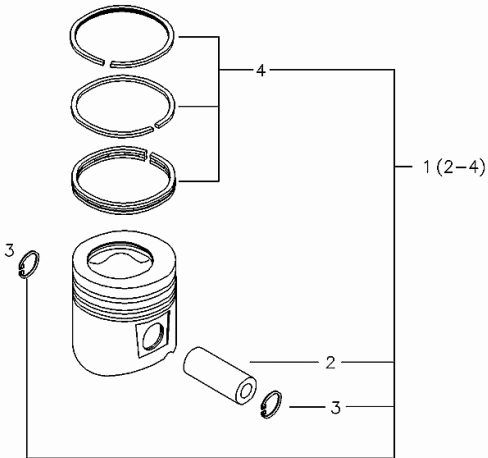
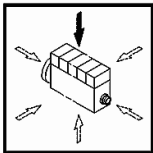
K9_B3689_16_0-B-001

PISTON

Fig.	Code	QTY	Name
10507033	10507034	10507035	10507036
10507037	10507038	10507039	10507207
10507209	10507210	10507211	10507214
10507215	10507216	10507217	10523156
10523679	10523680	10523681	10523682
10534965	10534966	10534967	10534968
10534969	10534970	10534971	10534972
10539811	10539812	10539813	10539824
10539825	10539826	10543932	10543933
10543934	10543936	10543937	10543938
10543939	10543940	10543941	10543942
10543943	10543944	10543945	10543947
10543948	10543949	10543950	10543951
10543952	10543953	10543954	10543955
10543956	10543957	10543958	10543959
10543960	10543963	10543964	10543966
10544762	10544763	10544764	10544765
10544766	10544767	10544769	10544770
10544771	10544772	10544773	10544774
10544775	10544776	10544777	10544778
10544779	10544780	10544781	10544782
10544783	10544785	10544786	10544787
10544788	10544789	10544790	10545488
10545489	10545490	10545491	10545492
10545494	10545495	10545496	10545497
10545499	10545500	10545501	10545503
10545504	10545505	10545506	10545507
10545508	10545509	10545510	10545511
10545512	10546376	10546377	10546379
10546381	10546382	10546383	10546385
10547022	10547023	10547024	10547025
10547026	10547027	10547028	10547029
10547030	10547031	10547032	10547033
10547034	10547035	10547036	10547037
10547038	10547039	10547040	10547041
10547042	10547043	10547044	10547045
10547047	10547048	10547049	10547050
10547051			

000 ©

1	04258457	1	piston STANDARD WITH POS.... (2-4)
2	04250132	1	piston pin
3	01107825	2	circlip DIN 472 -38X1,5
4	04252677	1	piston ring set NORMAL (A) MM RD, FOR OVERSIZE SEE POS (B) A = 101.0 MM B = POS. 951
950	04284179	1	piston + mm 0.50 XXX SEE POS. OVERSIZE SEE POS. (B) XXX SEE POS. (B) 1st OVERSIZE (A) = ... MM SEE POS. (B) A = 101.5 MM B = POS.1
951	04283742	1	piston ring set + mm 0.50 OVERSIZE OVERSIZED 101.5 MM



CLICK HERE TO **DOWNLOAD** THE COMPLETE MANUAL

- Thank you very much for reading the preview of the manual.
- You can download the complete manual from: www.heydownloads.com by clicking the link below



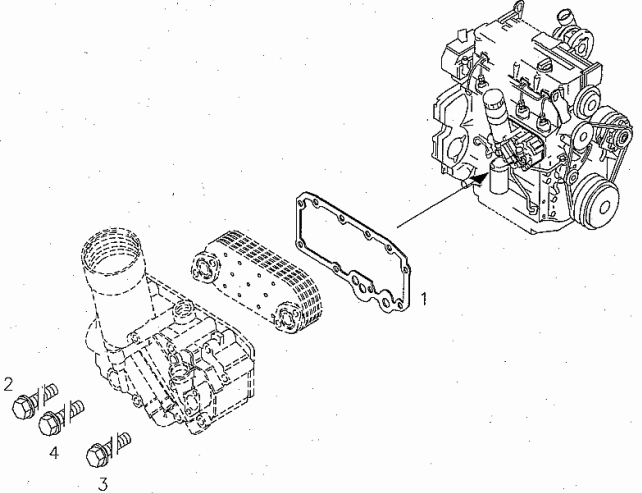
- Please note: If there is no response to CLICKING the link, please download this PDF first and then click on it.

CLICK HERE TO **DOWNLOAD** THE COMPLETE MANUAL

Section: B0 - ENGINE
FASTENINGS

Fig.	Code	QTY	Name
10507033	10507034	10507035	10507036
10507037	10507038	10507039	10507207
10507209	10507210	10507211	10507212
10507213	10507214	10507215	10507216
10507217	10523156	10523679	10523680
10523681	10523682	10534965	10534966
10534967	10534968	10534969	10534970
10534971	10534972	10539811	10539812
10539813	10539824	10539825	10539826
10543932	10543933	10543934	10543935
10543936	10543937	10543938	10543939
10543940	10543941	10543942	10543943
10543944	10543945	10543946	10543947
10543948	10543949	10543950	10543951
10543952	10543953	10543954	10543955
10543956	10543957	10543958	10543959
10543960	10543961	10543962	10544762
10544763	10544764	10544765	10544766
10544767	10544768	10544769	10544770
10544771	10544772	10544773	10544774
10544775	10544776	10544777	10544778
10544779	10544780	10544781	10544782
10544783	10544784	10544785	10544786
10544787	10544788	10544789	10544790
10545488	10545489	10545490	10545491
10545492	10545493	10545494	10545495
10545496	10545497	10545498	10545499
10545500	10545501	10545502	10545503
10545504	10545505	10545506	10545507
10545508	10545509	10545510	10545511
10545512	10546376	10546377	10546378
10546379	10546381	10546382	10546383
10546384	10546385	10547022	10547023
10547024	10547025	10547026	10547027
10547028	10547029	10547030	10547031
10547032	10547033	10547034	10547035
10547036	10547037	10547038	10547039
10547040	10547041	10547042	10547043
10547044	10547045	10547046	10547047
10547048	10547049	10547050	10547051

000



1	04208115	1	ring
2	01180364	3	stop UP TO THE MONTH OF ASSEMBLY 11/2006 EN 1662 -F-M8X110-10.9-GESCHW
3	01181438	5	screw UP TO THE MONTH OF ASSEMBLY 11/2006 EN 1662 -F-M8X55-10.9-ZNAL-A
4	01180365	2	stop UP TO THE MONTH OF ASSEMBLY 11/2006 EN 1662 -F-M8X90-10.9-GESCHW

Section: B0 - ENGINE
CLOSING COMPONENTS

Fig.	Code	QTY	Name
10206101	10206102	10206103	10206104
10206105	10221213	10221214	10221215
10221216	10221217	10221218	10221219
10221220	10222174	10222175	10222176
10222177	10222178	10222179	10222180
10222181	10222182	10222183	10222184
10222185	10222186	10222187	10222188
10224811	10224812	10234436	10234437
10234438	10236354	10236355	10236356
10236357	10237262	10237263	10237264
10237265	10237266	10237269	10237570
10237571	10237572	10238528	10238529
10238530	10238532	10239701	10239702
10239703	10239704	10239705	10252705
10252723	10252724	10252808	10252810
10252814	10252816	10254234	10254236
10254237	10254238	10254239	10254240
10254241	10254242	10254243	10255361
10255362	10255363	10260973	10260977
10260978	10260982	10260987	10263771
10263772	10263773	10263774	10263777
10263779	10263780	10263782	10263783
10271491	10271492	10271493	10271494
10271496	10271497	10271498	10271499
10271500	10271501	10271502	10272271
10272272	10272273	10272275	10272276
10272277	10272287	10272289	10272290
10272291	10272292	10272293	10272294
10272295	10272296	10272297	10272298
10272299	10272299	10272299	10274827
10279083	10279084	10279085	10279086
10279087	10279094	10279095	10279096
10279097	10279098	10279099	10279101
10279102	10279103	10279104	10279105
10279106	10279108	10279109	10279110
10279111	10279139	10279140	10279141
10279142	10279143	10279144	10279145
10279475	10279476	10279477	10279478
10279479	10279480	10279481	10279482
10279483	10279484	10279485	10279486
10279487	10279488	10279490	10280578
10280579	10280580	10280581	10280582
10280583	10280584	10289911	10289912
10289913	10289914	10289915	10289916
10289917	10289918	10289919	10289920
10290829	10290830	10290831	10291416
10291417	10291418	10300595	10300596
10300597	10300599	10300600	10300601
10300602	10300603	10300604	10300605
10300606	10305535	10305536	10305537
10305538	10305539	10305540	10305541
10305542	10305543	10305544	10305545
10305546	10305547	10306613	10306615
10306616	10306617	10306618	10306619
10306620	10306621	10306622	10306623
10306624	10306625	10306626	10306627
10306628	10306629	10306630	10306631
10306632	10306633	10306634	10310524
10310525	10310526	10310527	10310528
10310529	10310530	10310531	10310617
10310618	10310619	10310620	10310621
10310622	10310623	10310624	10310625
10310626	10314338	10314339	10314340
10314341	10314342	10314343	10314344
10314345	10314346	10314347	10314348
10314349	10314350	10314351	10314352
10314353	10314754	10314755	10314756
10314757	10314758	10314759	10314760
10314761	10314762	10314763	10314764
10314765	10315151	10315152	10315153
10315154	10315155	10315156	10315157
10315158	10315159	10315160	10317918
10317919	10317920	10317921	10317922
10317923	10317924	10317925	10317926
10317927	10317928	10317930	10317932
10317934	10323591	10323592	10323593
10323594	10323595	10323596	10323597
10323598	10323599	10323600	10323601
10323602	10323603	10323604	10323605
10323606	10323607	10323608	10323609
10323610	10323611	10323612	10324426
10324427	10324429	10324430	10328431
10330543	10330544	10330545	10330546
10330547	10330548	10330549	10330550
10330551	10330552	10330553	10330554
10330555	10330556	10330557	10348454
10348455	10348456	10348457	10348458
10348459	10348460	10348461	10348462
10348463	10348464	10348465	10348466
10348467	10348468	10348469	10348470
10358269	10358270	10361491	10361493
10361494	10361495	10361496	10361497
10361498	10361499	10361500	10361502
10361503	10361504	10361505	10361506
10361507	10361508	10361509	10361510
10361511	10366853	10366854	10366855
10366856	10366857	10366858	10366859
10366860	10374164	10374165	10374169
10374170	10374171	10374172	10374173
10376445	10376446	10376447	10376448
10376449	10376451	10376452	10376453
10376454	10386278	10386279	10386739
10386740	10386741	10386742	10386744
10386745	10386746	10386747	10386748
10386749	10386750	10386751	10386752
10386753	10386754	10386755	10386756
10386757	10386758	10386759	10386760
10386761	10386762	10386763	10386764
10386765	10386766	10386767	10386768
10386769	10386770	10386771	10386772
10386773	10386774	10386775	10386776
10386777	10386778	10386779	10386780
10386781	10386782	10386783	10386784
10386785	10386786	10386787	10386788
10386789	10386790	10386791	10386792
10386793	10386794	10386795	10386796
10386797	10386798	10386799	10386800
10386801	10386802	10386803	10386804
10386805	10386806	10386807	10386808
10386809	10386810	10386811	10386812
10386813	10386814	10386815	10386816
10386817	10386818	10386819	10386820
10386821	10386822	10386823	10386824
10386825	10386826	10386827	10386828
10386829	10386830	10386831	10386832
10386833	10386834	10386835	10386836
10386837	10386838	10386839	10386840
10386841	10386842	10386843	10386844
10386845	10386846	10386847	10386848
10386849	10386850	10386851	10386852
10386853	10386854	10386855	10386856
10386857	10386858	10386859	10386860
10386861	10386862	10386863	10386864
10386865	10386866	10386867	10386868
10386869	10386870	10386871	10386872
10386873	10386874	10386875	10386876
10386877	10386878	10386879	10386880
10386881	10386882	10386883	10386884
10386885	10386886	10386887	10386888
10386889	10386890	10386891	10386892
10386893	10386894	10386895	10386896
10386897	10386898	10386899	10386900
10386901	10386902	10386903	10386904
10386905	10386906	10386907	10386908
10386909	10386910	10386911	10386912
10386913	10386914	10386915	10386916
10386917	10386918	10386919	10386920
10386921	10386922	10386923	10386924
10386925	10386926	10386927	10386928
10386929	10386930	10386931	10386932
10386933	10386934	10386935	10386936
10386937	10386938	10386939	10386940
10386941	10386942	10386943	10386944
10386945	10386946	10386947	10386948
10386949	10386950	10386951	10386952
10386953	10386954	10386955	10386956
10386957	10386958	10386959	10386960
10386961	10386962	10386963	10386964
10386965	10386966	10386967	10386968
10386969	10386970	10386971	10386972
10386973	10386974	10386975	10386976
10386977	10386978	10386979	10386980
10386981	10386982	10386983	10386984
10386985	10386986	10386987	10386988
10386989	10386990	10386991	10386992
10386993	10386994	10386995	10386996
10386997	10386998	10386999	10387000
10401505	10401507	10401508	10401509
10401510	10401511	10401512	10416957
10416958	10416959	10416960	10416961
10416962	10416963	10416964	10416965
10416966	10416967	10416968	10416969
10416970	10416971	10423122	10423123
10423124	10423125	10423126	10423127
10423128	10423129	10423130	10423131
10423132	10423133	10423134	10423135
10423136	10423137	10423138	10423139
10423141	10423142	10423143	10433651
10433652	10433653	10433654	10433655
10433656	10433657	10433658	10433659
10433660	10433661	10433662	10433663
10433664	10433665	10433666	10433667
10433668	10433669	10433670	10433671
10433672	10433673	10433674	10433675
10433676	10433677	10433678	10433679
10433680	10433681	10433682	10433683
10433684	10433685	10433686	10433687
10433688	10433689	10433690	10433691
10433692	10433693	10433694	10433695
10433696	10433697	10433698	10433699
10433700	10433701	10433702	10433703
10433704	10433705	10433706	10433707
10433708	10433709	10433710	10433711
10433712	10433713	10433714	10433715
10433716	10433717	10433718	10433719
10433720	10433721	10433722	10433723
10433724	10433725	10433726	10433727
10433728	10433729	10433730	10433731
10433732	10433733	10433734	10433735
10433736	10433737	10433738	10433739
10433740	10433741	10433742	10433743
10433744	10433745	10433746	10433747
10433748	10433749	10433750	10433751
10433752	10433753	10433754	10433755
10433756	10433757	10433758	10433759
10433760	10433761	10433762	10433763
10433764	10433765	10433766	10433767
10433768	10433769	10433770	10433771
10433772	10433773	10433774	10433775
10433776	10433777	10433778	10433779
10433780	10433781	10433782	10433783
10433784	10433785	10433786	10433787
10433788	10433789	10433790	10433791

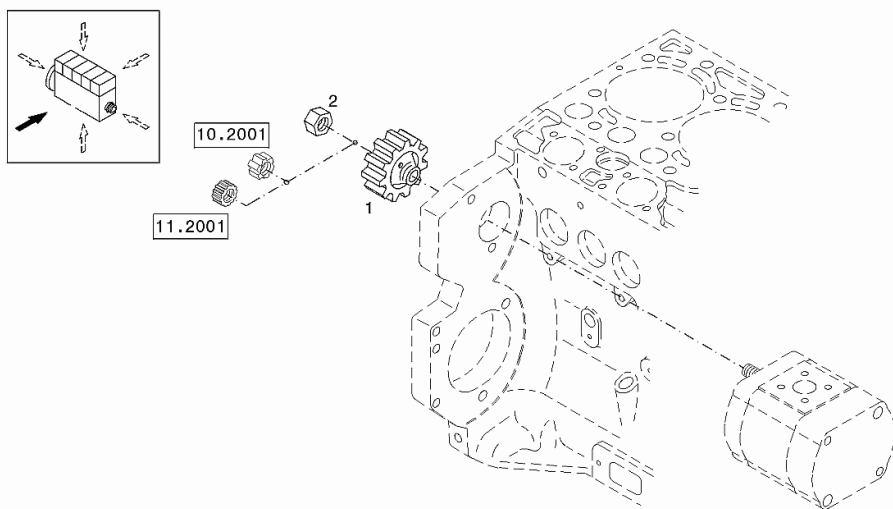
DRIVING PARTS

Fig.	Code	QTY	Name
------	------	-----	------

10507033	10507034	10507035	10507036	10507037	10507038	10507039	10507207	10507209	10507210	10507211
10507214	10507215	10507216	10507217	10523156	10523679	10523680	10523681	10523682	10534965	10534966
10534967	10534968	10534969	10534970	10534971	10534972	10539811	10539812	10539813	10539824	10539825
10539826	10543932	10543933	10543934	10543936	10543937	10543938	10543939	10543940	10543941	10543942
10543943	10543944	10543945	10543947	10543948	10543949	10543950	10543951	10543952	10543953	10543954
10543955	10543956	10543957	10543958	10543959	10543960	10543963	10543964	10543966	10544762	10544763
10544764	10544765	10544766	10544767	10544769	10544770	10544771	10544772	10544773	10544774	10544775
10544776	10544777	10544778	10544779	10544780	10544781	10544782	10544783	10544785	10544786	10544787
10544788	10544789	10544790	10545488	10545489	10545490	10545491	10545492	10545494	10545495	10545496
10545497	10545499	10545500	10545501	10545503	10545504	10545505	10545506	10545507	10545508	10545509
10545510	10545511	10545512	10546376	10546377	10546379	10546381	10546382	10546383	10546385	10547022
10547023	10547024	10547025	10547026	10547027	10547028	10547029	10547030	10547031	10547032	10547033
10547034	10547035	10547036	10547037	10547038	10547039	10547040	10547041	10547042	10547043	10547044
10547045	10547047	10547048	10547049	10547050	10547051					

002 ©

1	04294091	1	gear
2	01262635	1	nut
			WITHOUT HYDRAULIC PUMP
950	04204713	1	nut
			WITH HYDRAULIC PUMP UP TO
			10.2001 Z=6
951	04256463	1	nut
			WITH HYDRAULIC PUMP FROM 11.2001
			Z=21

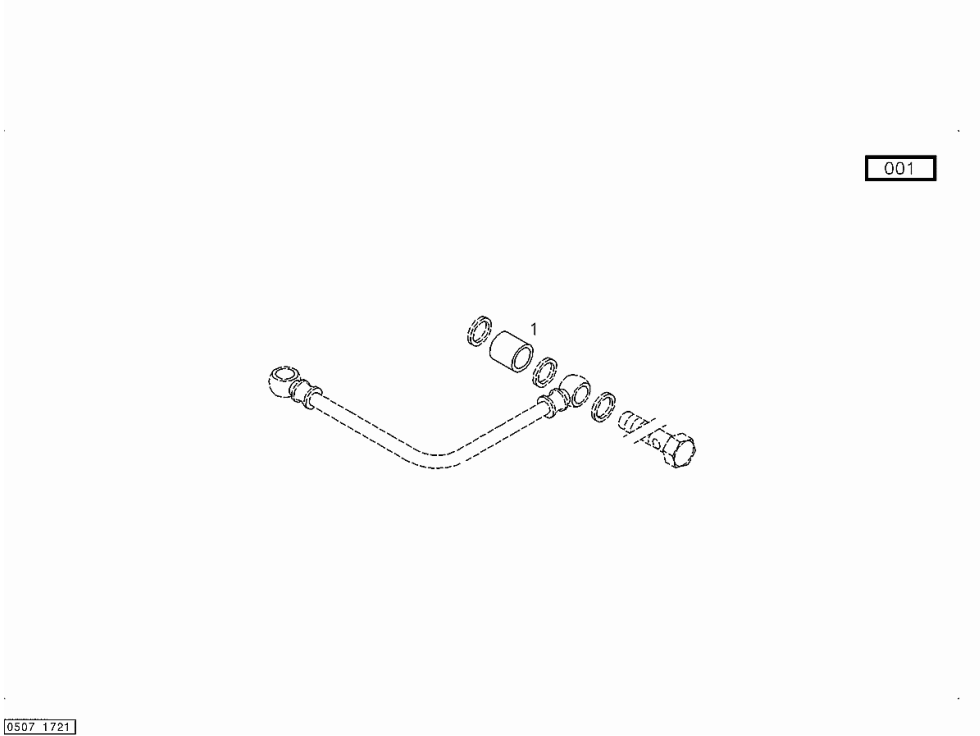


Section: B0 - ENGINE
SEPARATOR

Fig.	Code	QTY	Name
------	------	-----	------

Engine Serial Numbers:
10366860

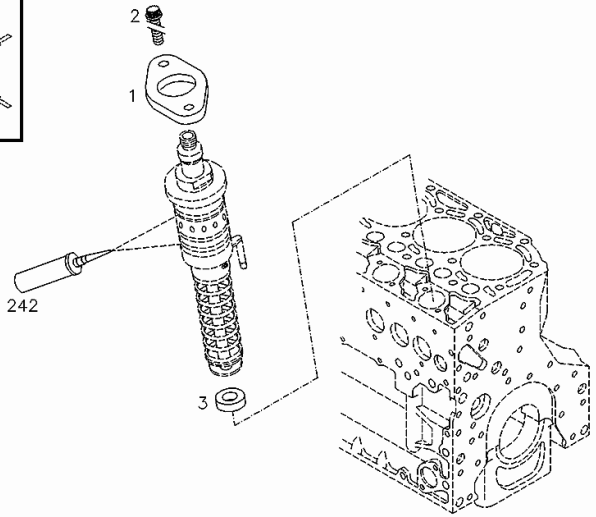
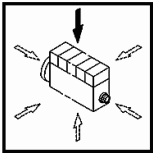
1	04501589	1	ring
---	----------	---	------



0507 1721

Section: B0 - ENGINE
FASTENINGS

Fig.	Code	QTY	Name
965	02113038	1	disc DEPENDING ON THE MEASUREMENT, GASKET THICKNESS (A) = MM FOR OTHER THICKNESSES SEE POS. (B) A=5.45 MM B=950-964,966-984
966	02113039	1	disc DEPENDING ON THE MEASUREMENT, GASKET THICKNESS (A) = MM FOR OTHER THICKNESSES SEE POS. (B) A=5.50 MM B=950-965,967-984
967	02113040	1	disc DEPENDING ON THE MEASUREMENT, GASKET THICKNESS (A) = MM FOR OTHER THICKNESSES SEE POS. (B) A=5.55 MM B=950-966,968-984
968	02113041	1	disc DEPENDING ON THE MEASUREMENT, GASKET THICKNESS (A) = MM FOR OTHER THICKNESSES SEE POS. (B) A=5.60 MM B=950-967,969-984
969	02113042	1	disc DEPENDING ON THE MEASUREMENT, GASKET THICKNESS (A) = MM FOR OTHER THICKNESSES SEE POS. (B) A=5.65 MM B=950-968,970-984
970	02113043	1	disc DEPENDING ON THE MEASUREMENT, GASKET THICKNESS (A) = MM FOR OTHER THICKNESSES SEE POS. (B) A=5.70 MM B=950-969,971-984
971	02113044	1	disc DEPENDING ON THE MEASUREMENT, GASKET THICKNESS (A) = MM FOR OTHER THICKNESSES SEE POS. (B) A=5.75 MM B=950-970,972-984
972	02113045	1	disc DEPENDING ON THE MEASUREMENT, GASKET THICKNESS (A) = MM FOR OTHER THICKNESSES SEE POS. (B) A=5.80 MM B=950-971,973-984
973	02113046	1	disc



000 ©

0507 8695

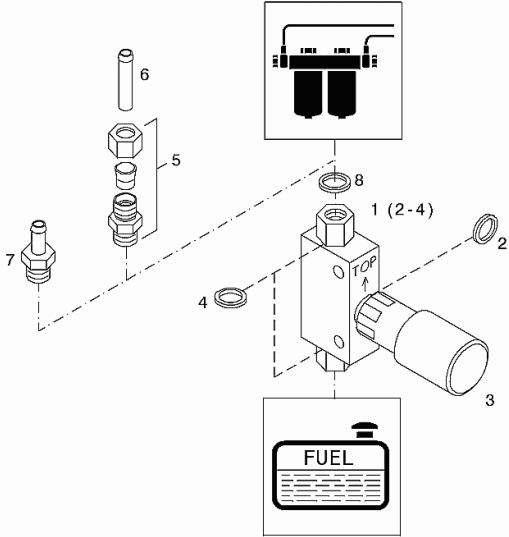
Section: B0 - ENGINE
FUEL FEED PUMP

Fig.	Code	QTY	Name
------	------	-----	------

Engine Serial Numbers:

10499508 10507017 10507018 10507019 10507020 10507021 10507022 10507023 10507024 10507025 10507026
10507027 10507028 10507029 10507030 10507031 10507033 10507034 10507035 10507036 10507037 10507038
10507039 10507207 10507209 10507210 10507211 10507214 10507215 10507216 10507217 10523156 10523679
10523680 10523681 10523682 10534965 10534966 10534967 10534968 10534969 10534970 10534971 10534972
10539811 10539812 10539813 10539824 10539825 10539826 10543932 10543933 10543934 10543936 10543937
10543938 10543939 10543940 10543941 10543942 10543943 10543944 10543945 10543947 10543948 10543949
10543950 10543951 10543952 10543953 10543954 10543955 10543956 10543957 10543958 10543959 10543960
10543963 10543964 10543966 10544762 10544763 10544764 10544765 10544766 10544767 10544769 10544770
10544771 10544772 10544773 10544774 10544775 10544776 10544777 10544778 10544779 10544780 10544781
10544782 10544783 10544785 10544786 10544787 10544788 10544789 10544790 10545488 10545489 10545490
10545491 10545492 10545494 10545495 10545496 10545497 10545499 10545500 10545501 10545503 10545504
10545505 10545506 10545507 10545508 10545509 10545510 10545511 10545512 10546376 10546377 10546379
10546381 10546382 10546383 10546385 10547022 10547023 10547024 10547025 10547026 10547027 10547028
10547029 10547030 10547031 10547032 10547033 10547034 10547035 10547036 10547037 10547038 10547039
10547040 10547041 10547042 10547043 10547044 10547045 10547047 10547048 10547049 10547050 10547051

003 ©



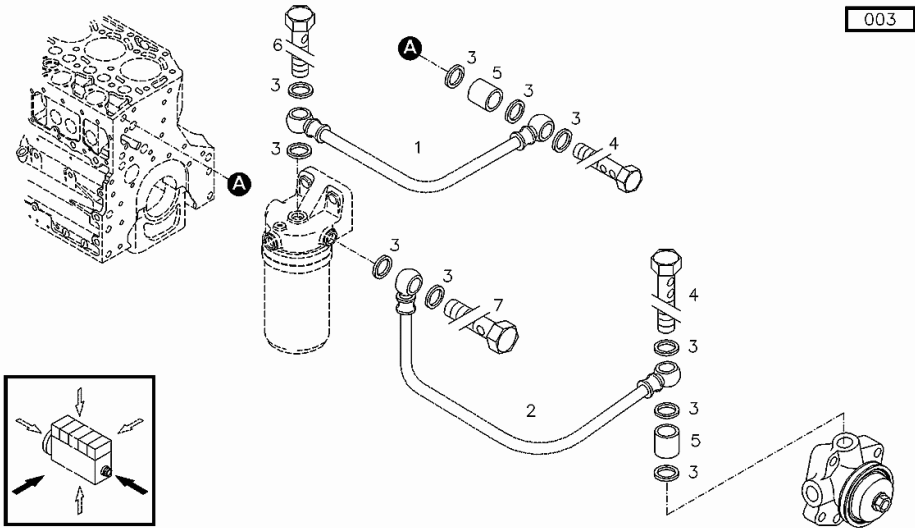
1	02111961	1	pump WITH POS.... (2-4)
2	01148356	1	'o' ring DIN 7603 -A16X20-ST
3	02111897	1	feed pump
4	01118727	2	'o' ring DIN 7603 -A20X24-CU
5	01319640	1	tongue
6	01319641	1	pipe fitting
7	01319642	1	tongue
8	01118713	1	washer 18.5 DIN 7603 -A18X22-CU

Section: B0 - ENGINE
FUEL LINE

Fig.	Code	QTY	Name
------	------	-----	------

Engine Serial Numbers:
10366860

1	01180504	1	tube H 3464 -AA90GRD-8-630-W1
2	01180505	1	tube H 3464 -AA90GRD-8-730-W1
3	01148836	5	'o' ring DIN 7603 -D14X20-CU-VERZINNT
4	01178626	1	pipe union UP TO MONTH OF ASSEMBLY 09.2008 H 3103 -A10M-A4C
5	04501589	1	ring UP TO MONTH OF ASSEMBLY 09.2008
7	01180412	2	pipe union H 3102 -E10M-ST-A4C
8	02111397	2	'o' ring



0507 0208

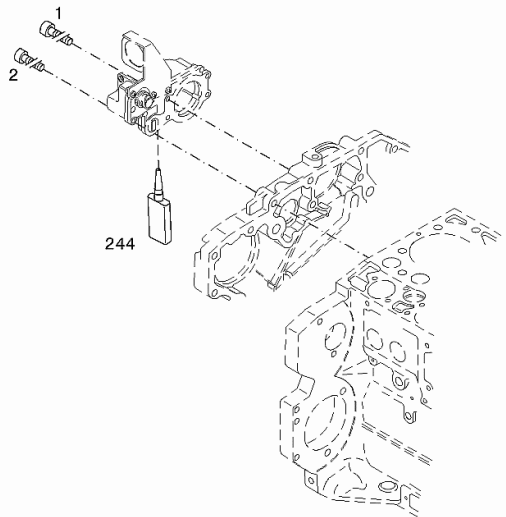
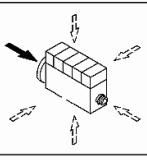
Section: B0 - ENGINE
FASTENINGS

Fig.	Code	QTY	Name
------	------	-----	------

10507033	10507034	10507035	10507036	10507037	10507038	10507039	10507207	10507209	10507210	10507211
10507214	10507215	10507216	10507217	10523156	10523679	10523680	10523681	10523682	10534965	10534966
10534967	10534968	10534969	10534970	10534971	10534972	10539811	10539812	10539813	10539824	10539825
10539826	10543932	10543933	10543934	10543936	10543937	10543938	10543939	10543940	10543941	10543942
10543943	10543944	10543945	10543947	10543948	10543949	10543950	10543951	10543952	10543953	10543954
10543955	10543956	10543957	10543958	10543959	10543960	10543963	10543964	10543966	10544762	10544763
10544764	10544765	10544766	10544767	10544769	10544770	10544771	10544772	10544773	10544774	10544775
10544776	10544777	10544778	10544779	10544780	10544781	10544782	10544783	10544785	10544786	10544787
10544788	10544789	10544790	10545488	10545489	10545490	10545491	10545492	10545494	10545495	10545496
10545497	10545499	10545500	10545501	10545503	10545504	10545505	10545506	10545507	10545508	10545509
10545510	10545511	10545512	10546376	10546377	10546379	10546381	10546382	10546383	10546385	10547022
10547023	10547024	10547025	10547026	10547027	10547028	10547029	10547030	10547031	10547032	10547033
10547034	10547035	10547036	10547037	10547038	10547039	10547040	10547041	10547042	10547043	10547044
10547045	10547047	10547048	10547049	10547050	10547051					

003 ©

1	01103783	2	screw ISO 4762 -M8X70-10.9-A4C
2	01139441	3	screw ISO 4762 -M8X55-10.9-A4C
244	01016102	1	gasket H 0699 -DEUTZDW73-300ML

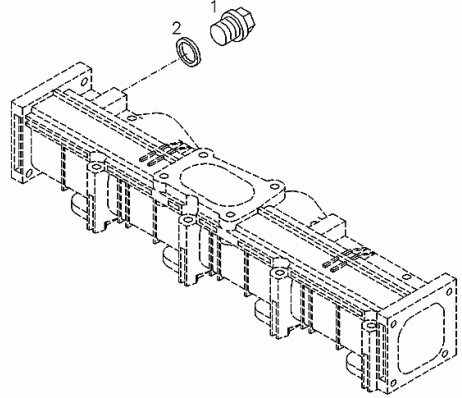
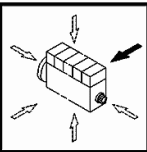


Section: B0 - ENGINE
CLOSING COMPONENTS

Fig.	Code	QTY	Name
10507033	10507034	10507035	10507036
10507037	10507038	10507039	10507207
10507209	10507210	10507211	10507212
10507213	10507214	10507215	10507216
10507217	10523156	10523679	10523680
10523681	10523682	10534965	10534966
10534967	10534968	10534969	10534970
10534971	10534972	10539811	10539812
10539813	10539824	10539825	10539826
10543932	10543933	10543934	10543936
10543937	10543938	10543939	10543940
10543941	10543942	10543943	10543944
10543945	10543947	10543948	10543949
10543950	10543951	10543952	10543953
10543954	10543955	10543956	10543957
10543958	10543959	10543960	10543963
10543964	10543966	10544762	10544763
10544764	10544765	10544766	10544767
10544769	10544770	10544771	10544772
10544773	10544774	10544775	10544776
10544777	10544778	10544779	10544780
10544781	10544782	10544783	10544785
10544786	10544787	10544788	10544789
10544790	10545488	10545489	10545490
10545491	10545492	10545494	10545495
10545496	10545497	10545499	10545500
10545501	10545503	10545504	10545505
10545506	10545507	10545508	10545509
10545510	10545511	10545512	10546376
10546377	10546379	10546381	10546382
10546383	10546385	10547022	10547023
10547024	10547025	10547026	10547027
10547028	10547029	10547030	10547031
10547032	10547033	10547034	10547035
10547036	10547037	10547038	10547039
10547040	10547041	10547042	10547043
10547044	10547045	10547047	10547048
10547049	10547050	10547051	

002 ©

1	01110433	1	screw DIN 910 -M10X1-ST-ZNPHRF
2	01118659	1	'o' ring DIN 7603 -A10X13,5-CU



0507 0332

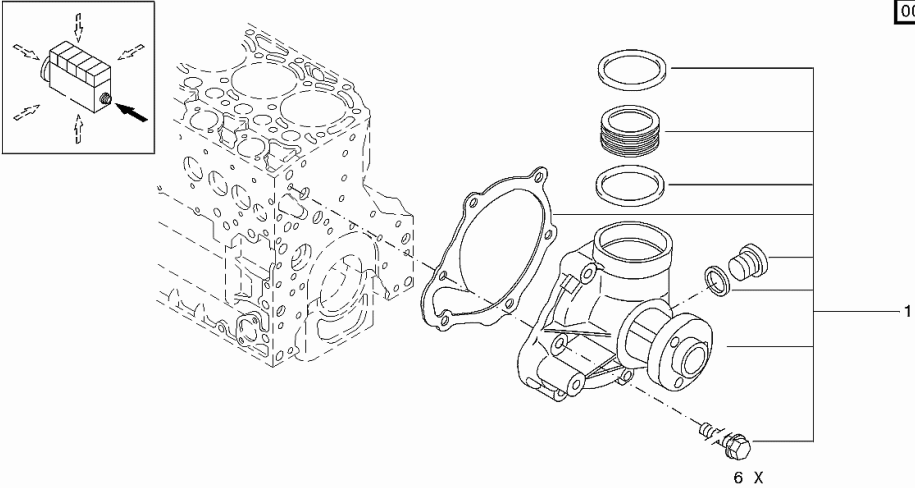
Section: B0 - ENGINE
COOLING WATER PUMP

Fig.	Code	QTY	Name
------	------	-----	------

10507033	10507034	10507035	10507036	10507037	10507038	10507039	10507207	10507209	10507210	10507211
10507214	10507215	10507216	10507217	10523156	10523679	10523680	10523681	10523682	10534965	10534966
10534967	10534968	10534969	10534970	10534971	10534972	10539811	10539812	10539813	10539824	10539825
10539826	10543932	10543933	10543934	10543936	10543937	10543938	10543939	10543940	10543941	10543942
10543943	10543944	10543945	10543947	10543948	10543949	10543950	10543951	10543952	10543953	10543954
10543955	10543956	10543957	10543958	10543959	10543960	10543963	10543964	10543966	10544762	10544763
10544764	10544765	10544766	10544767	10544769	10544770	10544771	10544772	10544773	10544774	10544775
10544776	10544777	10544778	10544779	10544780	10544781	10544782	10544783	10544785	10544786	10544787
10544788	10544789	10544790	10545488	10545489	10545490	10545491	10545492	10545494	10545495	10545496
10545497	10545499	10545500	10545501	10545503	10545504	10545505	10545506	10545507	10545508	10545509
10545510	10545511	10545512	10546376	10546377	10546379	10546381	10546382	10546383	10546385	10547022
10547023	10547024	10547025	10547026	10547027	10547028	10547029	10547030	10547031	10547032	10547033
10547034	10547035	10547036	10547037	10547038	10547039	10547040	10547041	10547042	10547043	10547044
10547045	10547047	10547048	10547049	10547050	10547051					

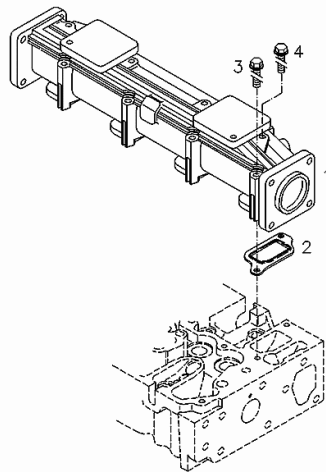
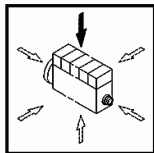
001 ©

1	02937437	1	water pump WITH 6 FIXING SCREWS
---	----------	---	------------------------------------



MANIFOLD

Fig.	Code	QTY	Name
4	01179293	4	EN 1662 -F-M6X75-10.9-ZNAL-A* screw EN 1662 -F-M6X95-10.9-A4C*



000 ©

0507 8834

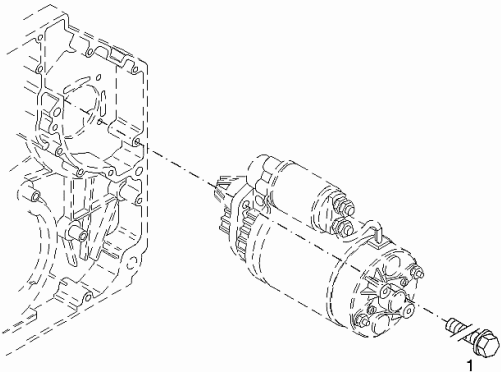
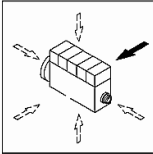
FASTENINGS

Fig.	Code	QTY	Name
------	------	-----	------

10507033	10507034	10507035	10507036	10507037	10507038	10507039	10507207	10507209	10507210	10507211
10507214	10507215	10507216	10507217	10523156	10523679	10523680	10523681	10523682	10534965	10534966
10534967	10534968	10534969	10534970	10534971	10534972	10539811	10539812	10539813	10539824	10539825
10539826	10543932	10543933	10543934	10543936	10543937	10543938	10543939	10543940	10543941	10543942
10543943	10543944	10543945	10543947	10543948	10543949	10543950	10543951	10543952	10543953	10543954
10543955	10543956	10543957	10543958	10543959	10543960	10543963	10543964	10543966	10544762	10544763
10544764	10544765	10544766	10544767	10544769	10544770	10544771	10544772	10544773	10544774	10544775
10544776	10544777	10544778	10544779	10544780	10544781	10544782	10544783	10544785	10544786	10544787
10544788	10544789	10544790	10545488	10545489	10545490	10545491	10545492	10545494	10545495	10545496
10545497	10545499	10545500	10545501	10545503	10545504	10545505	10545506	10545507	10545508	10545509
10545510	10545511	10545512	10546376	10546377	10546379	10546381	10546382	10546383	10546385	10547022
10547023	10547024	10547025	10547026	10547027	10547028	10547029	10547030	10547031	10547032	10547033
10547034	10547035	10547036	10547037	10547038	10547039	10547040	10547041	10547042	10547043	10547044
10547045	10547047	10547048	10547049	10547050	10547051					

003 ©

1	01148623	3	screw 60 Nm EN 1662 -F-M10X38-10.9-ZNAL-A
---	----------	---	---



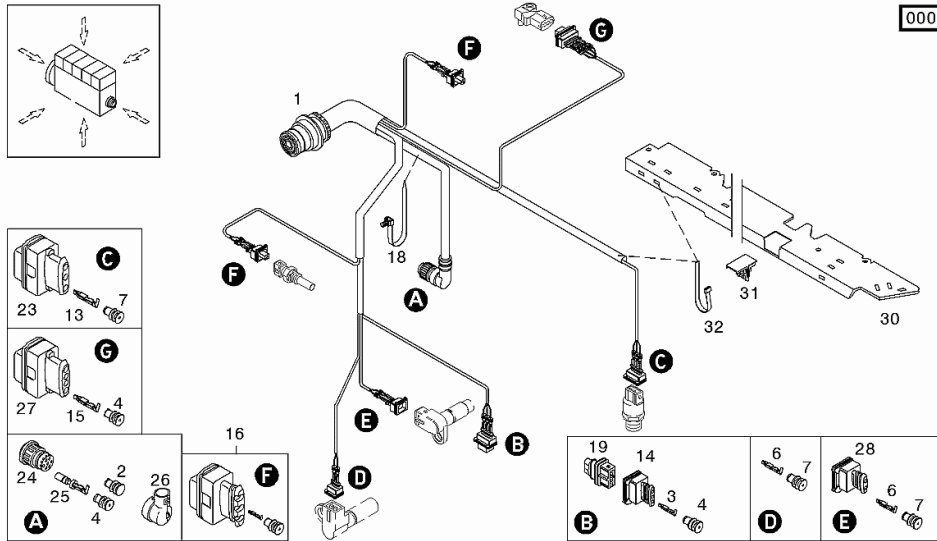
Section: B0 - ENGINE
ENGINE ELECTRICAL SYSTEM

Fig.	Code	QTY	Name
------	------	-----	------

Engine Serial Numbers:

10205158	10205160	10205163	10205164	10205165	10205166	10206099	10206100	10206101	10206102	10206103
10206104	10206105	10221213	10221214	10221215	10221216	10221217	10221218	10221219	10221220	10222174
10222175	10222176	10222177	10222178	10222179	10222180	10222181	10222182	10222183	10222184	10222185
10222186	10222187	10222188	10224811	10224812	10234436	10234437	10234438	10236354	10236355	10236356
10236357	10237262	10237263	10237264	10237265	10237266	10237269	10237570	10237571	10237572	10238528
10238529	10238530	10238532	10239701	10239702	10239704	10239705	10252705	10252723	10252724	10252808
10252810	10252814	10252816	10254234	10254236	10254237	10254238	10254239	10254240	10254241	10254242
10254243	10255361	10255362	10255363	10260973	10260977	10260978	10260981	10260982	10260987	10263771
10263772	10263773	10263774	10263777	10263779	10263780	10263782	10263783	10271491	10271492	10271493
10271494	10271496	10271497	10271498	10271499	10271500	10271501	10271502	10272271	10272272	10272273
10272275	10272276	10272277	10272287	10272289	10272290	10272291	10272292	10272293	10272294	10272295
10272296	10272297	10274827	10279083	10279084	10279085	10279086	10279087	10279094	10279095	10279096
10279097	10279098	10279099	10279101	10279102	10279103	10279104	10279105	10279106	10279108	10279109
10279110	10279111	10279139	10279140	10279141	10279143	10279144	10279474	10279475	10279476	10279477
10279478	10279479	10279480	10279481	10279482	10279483	10279484	10279485	10279486	10279487	10279488
10279490	10280578	10280579	10280580	10280581	10280582	10280583	10280584	10289911	10289912	10289913
10289914	10289915	10289916	10289917	10289919	10289920	10289921	10290828	10290829	10290830	10290831
10291416	10291417	10291418	10300595	10300596	10300597	10300599	10300600	10300601	10300602	10300603
10300604	10300605	10300606	10305535	10305536	10305537	10305538	10305539	10305540	10305541	10305542
10305543	10305544	10305545	10305546	10305547	10306613	10306615	10306616	10306617	10306618	10306619
10306620	10306621	10306622	10306623	10306624	10306625	10306626	10306627	10306628	10306629	10306630
10306631	10306632	10306633	10306634	10310524	10310525	10310526	10310527	10310528	10310529	10310530
10310531	10310617	10310618	10310619	10310620	10310621	10310622	10310623	10310624	10310625	10310626
10314338	10314339	10314340	10314341	10314342	10314343	10314344	10314345	10314346	10314347	10314348
10314349	10314350	10314351	10314352	10314353	10314754	10314755	10314756	10314757	10314758	10314759
10314760	10314761	10314762	10314763	10314764	10314765	10315151	10315152	10315153	10315154	10315155
10315156	10315157	10315158	10315159	10315160	10317918	10317920	10317921	10317926	10317927	10317928
10317930	10317932	10317934	10323591	10323592	10323593	10323594	10323595	10323596	10323597	10323598
10323600	10323601	10323604	10323605	10323606	10323608	10323609	10323610	10323611	10323612	10324426
10324427	10324429	10324430	10328431	10330543	10330544	10330545	10330546	10330547	10330548	10330549
10330550	10330552	10330553	10330554	10330555	10330556	10330557	10348454	10348456	10348457	10348458
10348459	10348460	10348461	10348462	10348463	10348464	10348465	10348466	10348468	10348469	10348470
10358269	10358270	10361491	10361493	10361494	10361495	10361497	10361498	10361499	10361500	10361502
10361503	10361504	10361505	10361506	10361507	10361508	10361510	10361512	10366853	10366854	10366855
10366856	10366857	10366858	10366859	10366860	10374164	10374165	10374169	10374170	10374171	10374172
10374173	10376445	10376446	10376447	10376448	10376449	10376451	10376452	10376453	10376454	10386278
10386279	10386739	10386740	10386741	10386742	10386744	10386745	10386746	10386748	10386749	10396633
10396634	10396635	10396636	10396637	10396638	10396639	10396640	10396641	10396642	10396643	10396644
10396645	10396646	10396647	10396648	10396649	10396650	10396652	10401503	10401505	10401507	10401508
10401509	10401510	10401511	10401512	10416957	10416958	10416959	10416960	10416961	10416962	10416963
10416964	10416965	10416966	10416967	10416968	10416969	10416970	10416971	10423122	10423123	10423124
10423125	10423126	10423127	10423128	10423129	10423130	10423131	10423132	10423133	10423135	10423137
10423138	10423139	10423141	10423142	10423143	10433651	10433652	10453034	10453035	10453036	10453037
10453038	10453040	10453041	10453042	10453043	10453044	10453045	10453046	10463671	10463672	10463673
10463675	10463677	10463678	10463680	10466692	10466694	10485102	10485103	10485106	10485107	10485108
10485109	10485111	10485472	10485473	10485474	10485476	10485477	10485478	10485479	10485481	10485482
10488558	10488559	10488560	10488561	10488562	10488563	10488564	10488565	10488566	10490739	10490874
10490875	10490876	10490877	10490878	10490879	10490880	10490881	10490882	10490883	10490884	10490885

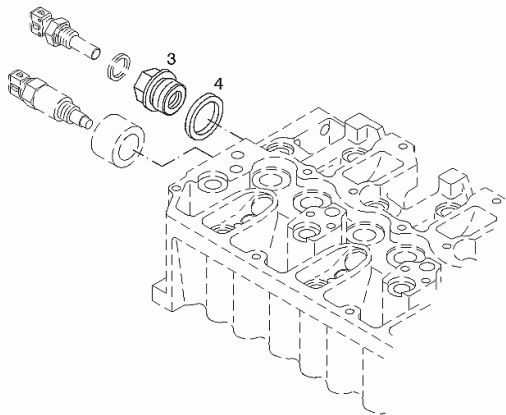
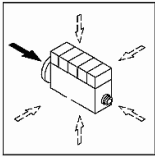
000 ©



ACCESSORIES

Fig.	Code	QTY	Name
10206101	10206102	10206103	10206104
10206105	10221213	10221214	10221215
10221216	10221217	10221218	10221219
10221220	10222174	10222175	10222176
10222177	10222178	10222179	10222180
10222181	10222182	10222183	10222184
10222185	10222186	10222187	10222188
10224811	10224812	10234436	10234437
10234438	10236354	10236355	10236356
10236357	10237262	10237263	10237264
10237265	10237266	10237269	10237570
10237571	10237572	10238528	10238529
10238530	10238532	10239701	10239702
10239703	10239704	10239705	10252705
10252723	10252724	10252808	10252810
10252814	10252816	10254234	10254236
10254237	10254238	10254239	10254240
10254241	10254242	10254243	10255361
10255362	10255363	10260973	10260977
10260978	10260987	10263771	10263772
10263773	10263774	10263777	10263779
10263780	10263782	10263783	10271491
10271492	10271493	10271494	10271496
10271497	10271498	10271499	10271500
10271501	10271502	10272271	10272272
10272273	10272275	10272276	10272277
10272278	10272287	10272288	10272289
10272290	10272291	10272292	10272293
10272294	10272295	10272296	10272297
10272298	10272299	10274827	10279083
10279084	10279088	10279089	10279098
10279099	10279101	10279102	10279103
10279104	10279105	10279106	10279108
10279109	10279110	10279111	10279139
10279140	10279141	10279143	10279144
10279474	10279475	10279476	10279477
10279478	10279479	10279480	10279481
10279482	10279483	10279484	10279485
10279486	10279487	10279488	10279490
10280578	10280579	10280580	10280581
10280582	10280583	10280584	10289911
10289912	10289913	10289914	10289915
10289916	10289917	10291418	10300595
10300596	10300597	10300599	10300600
10300601	10300602	10300603	10300604
10300605	10300606	10305535	10305536
10305537	10305538	10305539	10305540
10305541	10305542	10305543	10305544
10305545	10305546	10305547	10306613
10306615	10306616	10306617	10306618
10306619	10306620	10306621	10306622
10306623	10306624	10306625	10306626
10306627	10306628	10306629	10306630
10306631	10306632	10306633	10306634
10310524	10310525	10310530	10310531
10310617	10310618	10310619	10310620
10310621	10310622	10310623	10310624
10310625	10310626	10314338	10314339
10314340	10314341	10314342	10314343
10314344	10314345	10314346	10314347
10314348	10314349	10314350	10314351
10314352	10314353	10314754	10314755
10314756	10314757	10314758	10314759
10314760	10314761	10314762	10314763
10314764	10314765	10315151	10315152
10315153	10315154	10315155	10315156
10315157	10315158	10315159	10315160
10317918	10317919	10317920	10317921
10317922	10317923	10317924	10317925
10317926	10317927	10317928	10317929
10317930	10317931	10317932	10317933
10317934	10323591	10323592	10323593
10323594	10323595	10323596	10323597
10323598	10323599	10323600	10323601
10323602	10323603	10323604	10323605
10323606	10323607	10323608	10323609
10323610	10323611	10323612	10324426
10324427	10324428	10324429	10324430
10328431	10330543	10330544	10330545
10330546	10330547	10330548	10330549
10330550	10330551	10330552	10330553
10330554	10330555	10330556	10330557
10348454	10348455	10348456	10348457
10348458	10348459	10348460	10348461
10348462	10348463	10348464	10348465
10348466	10348467	10348468	10348469
10348470	10358269	10358270	10361491
10361493	10361494	10361495	10361496
10361497	10361498	10361499	10361500
10361501	10361502	10361503	10361504
10361505	10361506	10361507	10361508
10361509	10361510	10366853	10366854
10366855	10366856	10366857	10366858
10366859	10366860	10374164	10374165
10374166	10374167	10374172	10374173
10376445	10376446	10376447	10376448
10376449	10376451	10376452	10376453
10376454	10386278	10386279	10386739
10386740	10386741	10386742	10386744
10386745	10386746	10386747	10386748
10396633	10396634	10396635	10396636
10396637	10396638	10396639	10396640
10396641	10396642	10396643	10396644
10396645	10396646	10396647	10396648
10396649	10396650	10396651	10396652
10401503	10401504	10401505	10401506
10401507	10401508	10401509	10401510
10401511	10401512	10416957	10416958
10416959	10416960	10416961	10416962
10416963	10416964	10416965	10416966
10416967	10416968	10416969	10416970
10416971	10423122	10423123	10423124
10423125	10423126	10423127	10423128
10423129	10423130	10423131	10423132
10423133	10423135	10423137	10423138
10423139	10423141	10423142	10423143
10433651	10433652	10453034	10453035
10453036	10453037	10453038	10453039
10453040	10453041	10453042	10453043
10453044	10453045	10453046	10463671
10463672	10463673	10463675	10463677
10463678	10463680	10466692	10466694
10485102	10485103	10485106	10485107
10485108	10485109	10485111	10485472
10485473	10485474	10485476	10485477
10485478	10485479	10485481	10485482
10488558	10488559	10488560	10488561
10488562	10488563	10488564	10488565
10488566	10490739	10490874	10490875
10490876	10490877	10490878	10490879
10490880	10490881	10490882	10490883
10490884	10490885	10490886	10490887
10490888	10490889	10507018	10507019
10507020	10507021	10507022	10507023
10507024	10507025	10507026	10507027
10507028	10507029	10507030	10507031

001 ©



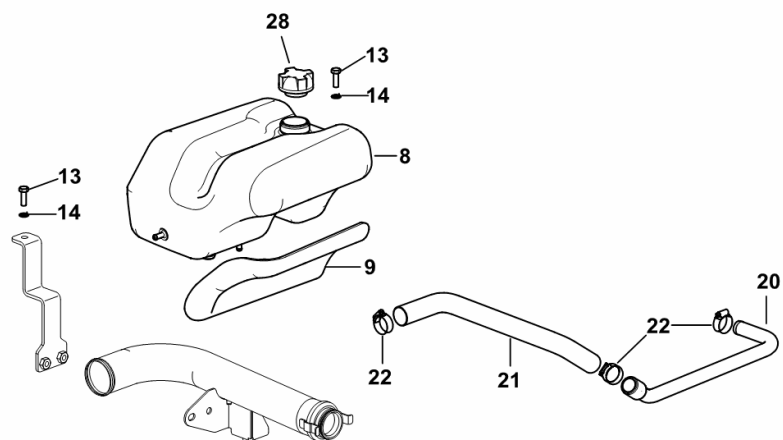
COOLING TANK

Fig.	Code	QTY	Name
------	------	-----	------

Notes:

[Agrotron K 90 -> 8155 1001] 1339 <-

8	0.014.3324.2	1	tank (1237 <-)
8	04413667	1	tank (-> 1238)
9	0.014.4701.0	1	termal insul.mater. (1307 <-)
13	2.0112.309.2	3	screw m 10 p.1.5 x 25
14	2.1472.007.2	3	washer 10
20	04454281.3	1	tube
21	04454300	1	flexible hose 30 x 415
22	2.6851.002.0	2	clamp Ø 20/32
28	04425394	1	plug



K9_B1581_10_0-B-001

FUEL PIPES

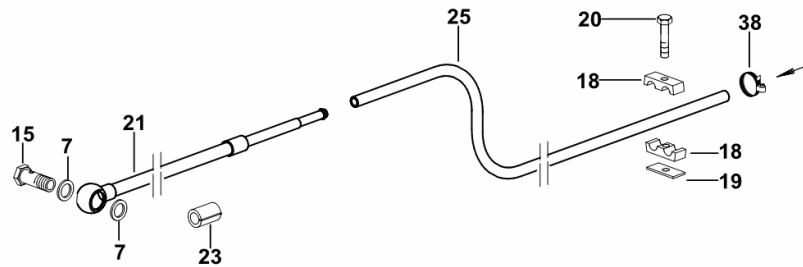
Fig.	Code	QTY	Name
------	------	-----	------

Notes:

[Agrotron K 90 -> 8155 1001] 1193 <-

7	01118700	2	'o' ring Ø 16 x 20
15	01137064	1	pipe union m 16 p.1.5
18	04418659	6	terminal 12x10
19	01178734	3	small plate
20	01100101	3	screw m 6 x 45
21	04450351	1	tube
23	02382225	1	sleeve
25	04450360	1	tube
38	2.6851.019.0	4	clamp Ø 13/20

K9_B1581_00_0-C-001



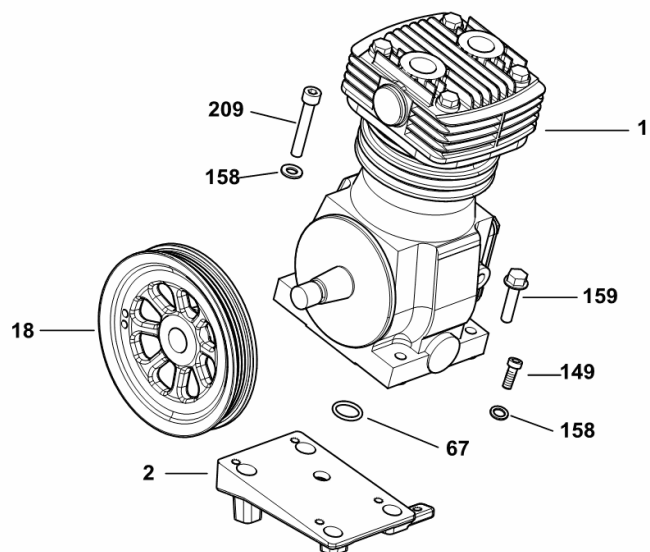
AIR COMPRESSOR

Fig.	Code	QTY	Name
------	------	-----	------

Notes:

- FOR TYPES WITH HYDRAULIC TRAILER BRAKING (ITALY) [Agrotron K 90 -> 8155 1001]

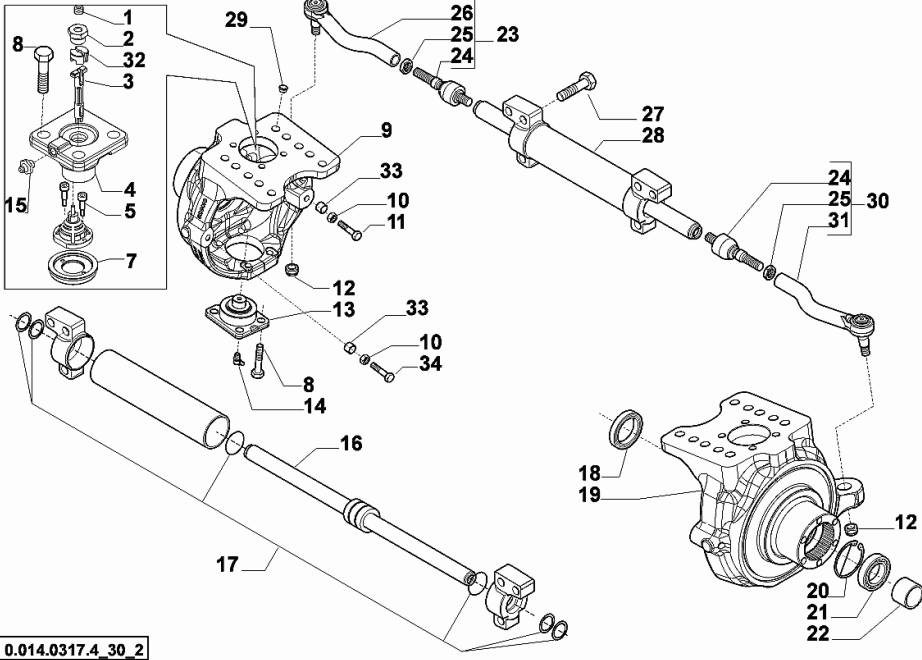
1	04414768	1	gear compressor kpl. ☞ 04414768
2	04453973/30	1	support
18	04452402/10	1	pulley
67	2.1532.069.0	1	rubber plug
149	2.0312.208.2	2	screw m 8 p.1.25 x 25
158	2.1310.004.2	6	flat washer 8.5
159	01143362	4	screw
209	01101405	2	screw



K9_B1689_16_0-A-001

Section: F0 - FRONT AXLE
STEERING CYLINDER - [641391]

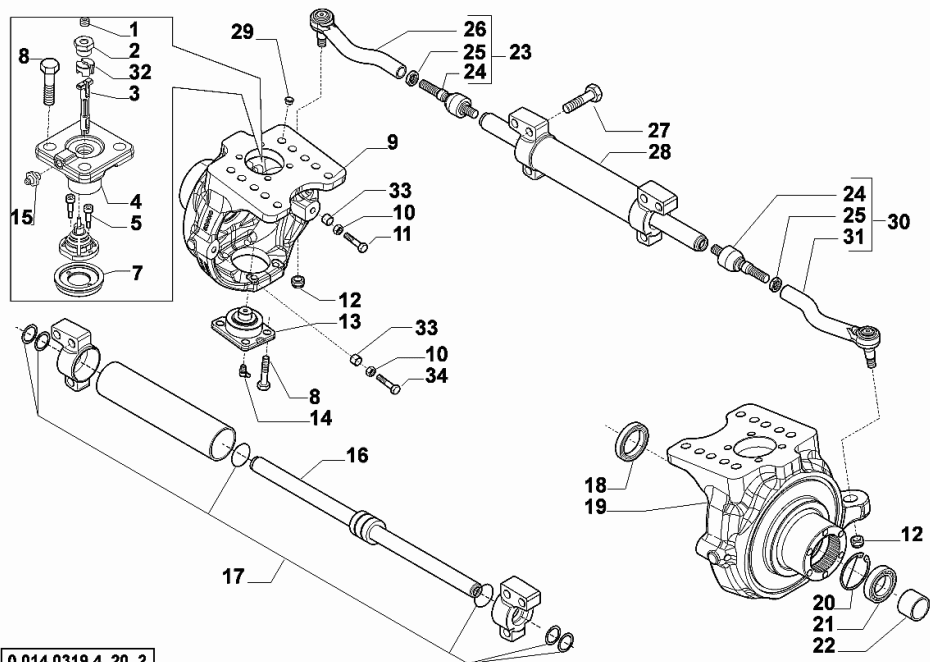
Fig.	Code	QTY	Name
1	0.900.0894.3	2	plug
2	0.900.0082.4	2	screw m 20 p.1.5
3	0.900.0965.7	1	smau pin
4	0.900.0502.5	2	pin
5	0.900.0082.7	2	screw m 4 x 10
7	0.900.0865.2	1	cover
8	0.900.0082.9	16	screw m 14 x 35
9	0.900.0083.0	1	cover sx/lh/li
10	0.900.0105.8	4	nut m 14
11	0.900.0948.6	2	screw m 14
12	0.900.0083.3	2	nut m 20 p.1
13	0.900.0083.4	2	pin
14	0.900.0083.5	2	lubricator m 6 p.1, 45°
15	0.900.0542.4	1	lubricator m 6 p.1
16	0.900.0083.7	1	stem
17	0.900.0083.8	1	gasket set
18	0.900.0083.9	2	'o' ring
19	0.900.0084.0	1	cover dx/rh/re
20	0.900.0084.1	2	circlip
21	0.900.0084.2	2	bearing
22	0.900.0084.3	2	spacer
23	0.900.0084.4	1	rod sx/lh/li COMPLETE (24, 25 & 26)
24	0.900.0084.5	2	ball joint
25	0.900.0084.6	2	nut m 24x10
26	0.900.0525.2	1	rod sx/lh/li
27	0.900.0791.2	6	screw m18x70
28	0.900.0527.5	1	jack
29	0.900.0085.0	8	plug
30	0.900.0085.1	1	rod dx/rh/re COMPLETE (24, 25 & 31)
31	0.900.0525.1	1	rod dx/rh/re
32	0.900.0502.7	1	washer
33	0.009.4379.0	4	shoe
35	0.900.0791.4	2	screw M14x60



0.014.0317.4_30_2

Section: F0 - FRONT AXLE
STEERING CYLINDER - [641392]

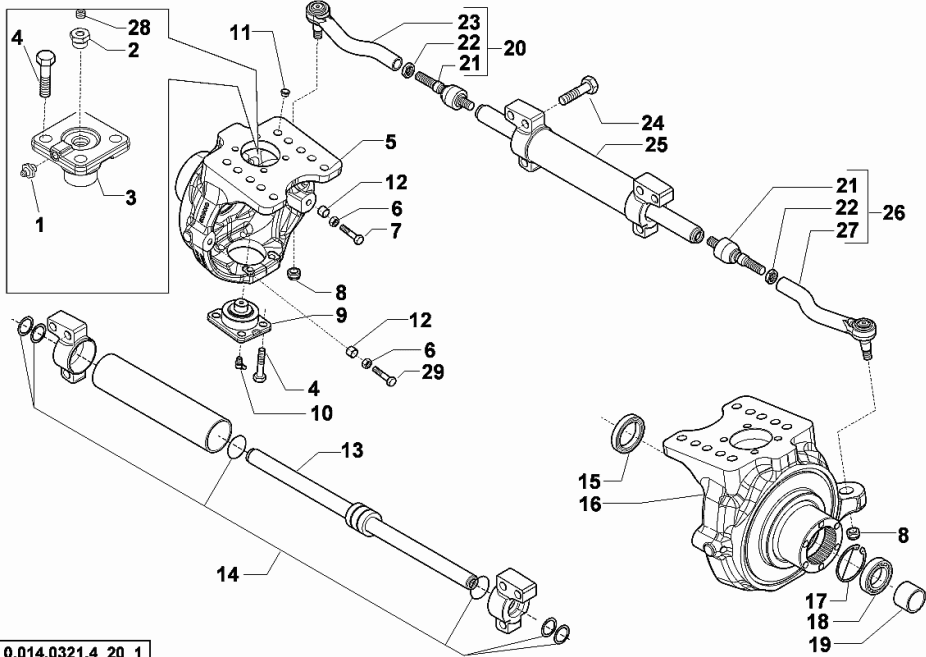
Fig.	Code	QTY	Name
1	0.900.0894.3	2	plug
2	0.900.0082.4	2	screw m 20 p.1.5
3	0.900.0965.7	1	smau pin
4	0.900.0502.5	2	pin
5	0.900.0082.7	2	screw m 4 x 10
7	0.900.0865.2	1	cover
8	0.900.0082.9	16	screw m 14 x 35
9	0.900.0083.0	1	cover sx/lh/li
10	0.900.0105.8	4	nut m 14
11	0.900.0948.6	2	screw m 14
12	0.900.0083.3	2	nut m 20 p.1
13	0.900.0083.4	2	pin
14	0.900.0083.5	2	lubricator m 6 p.1, 45°
15	0.900.0542.4	1	lubricator m 6 p.1
16	0.900.0083.7	1	stem
17	0.900.0083.8	1	gasket set
18	0.900.0083.9	2	'o' ring
19	0.900.0084.0	1	cover dx/rh/re
20	0.900.0084.1	2	circlip
21	0.900.0084.2	2	bearing
22	0.900.0084.3	2	spacer
23	0.900.0084.4	1	rod sx/lh/li COMPLETE (25, 26 & 27)
24	0.900.0084.5	2	ball joint
25	0.900.0084.6	2	nut m 24x10
26	0.900.0525.2	1	rod sx/lh/li
27	0.900.0791.2	6	screw m18x70
28	0.900.0527.5	1	jack
29	0.900.0085.0	8	plug
30	0.900.0085.1	1	rod dx/rh/re COMPLETE (24, 25 & 31)
31	0.900.0525.1	1	rod dx/rh/re
32	0.900.0502.7	1	washer
33	0.900.0948.7	4	sleeve
35	0.900.0791.4	2	screw M14x60



0.014.0319.4_20_2

Section: F0 - FRONT AXLE
STEERING CYLINDER - [641393]

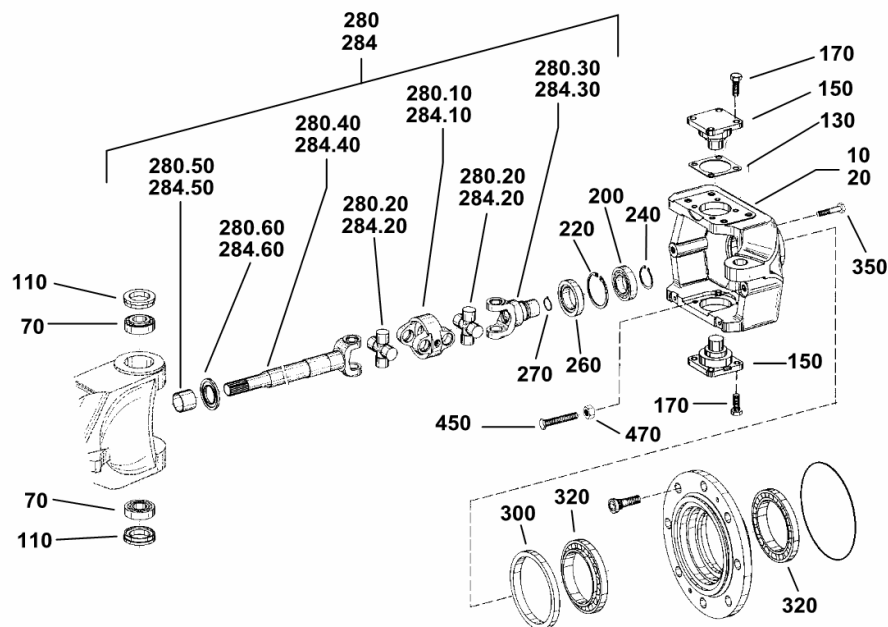
Fig.	Code	QTY	Name
1	0.900.0542.4	2	lubricator m 6 p.1
2	0.900.0082.4	2	screw m 20 p.1.5
3	0.900.0502.5	2	pin
4	0.900.0082.9	16	screw m 14 x 35
5	0.900.0083.0	1	cover sx/lh/li
6	0.900.0105.8	2	nut m 14
7	0.900.0948.6	2	screw m 14
8	0.900.0083.3	2	nut m 20 p.1
9	0.900.0083.4	2	pin
10	0.900.0083.5	2	lubricator m 6 p.1, 45°
11	0.900.0085.0	8	plug
12	0.009.4379.0	4	shoe
13	0.900.0083.7	1	stem
14	0.900.0083.8	1	gasket set
15	0.900.0083.9	2	'o' ring
16	0.900.0084.0	1	cover dx/rh/re
17	0.900.0084.1	2	circlip
18	0.900.0084.2	2	bearing
19	0.900.0084.3	2	spacer
20	0.900.0084.4	1	rod sx/lh/li COMPLETE (21, 22 & 23)
21	0.900.0084.5	2	ball joint
22	0.900.0084.6	2	nut m 24x10
23	0.900.0525.2	1	rod sx/lh/li
24	0.900.0105.9	6	screw m 20x80
25	0.900.0527.5	1	jack
26	0.900.0085.1	1	rod dx/rh/re COMPLETE (21, 22 & 27)
27	0.900.0085.2	1	rod dx/rh/re
28	0.900.0894.3	1	plug
29	0.900.0791.4	2	screw M14x60



0.014.0321.4_20_1

HALF-SHAFTS AND STUB AXLE HOUSING

Fig.	Code	QTY	Name
10	04415062	1	body dx/rh/re
20	04415063	1	body sx/lh/li
70	01175920	4	roller bearing
110	0.010.2931.1	4	rubber plug
130	04415106	2	shim A = 0.2
130	04415107	0	shim A = 0.3
130	0.010.2934.1	0	disc A = 0.4
130	0.010.2934.0	0	disc A = 0.6
130	0.010.2933.2	0	disc A = 0.8
130	04415108	0	shim A = 1.0
130	0.010.2934.2	0	disc A = 1.4
130	04415109	0	shim A = 1.6
130	0.010.2933.1	0	disc A = 1.8
130	04415110	0	shim A = 2.0
130	0.010.2933.0	0	disc A = 0.5
130	0.010.2932.2	0	disc A = 0.7
130	0.010.2932.1	0	disc A = 0.9
130	0.010.2931.2	0	disc A = 1.1
130	0.010.2932.0	0	disc A = 1.2
130	0.010.2935.0	0	disc A = 1.3
150	04415055	4	pin
170	0.010.2935.1	16	screw m 12 x 30
200	04415093	2	ball bearing
220	0.010.2618.0	2	circlip 75x2.5
240	01107760	2	circlip 45x1.75
260	0.900.0079.5	2	ring
270	04415095	2	circlip
280	04415096.4	1	half-shaft sx/lh/li
280.10	04415130	1	coupling disc
280.20	04415131	2	universal joint
280.30	04415132	1	joint
280.40	04415133	1	joint
280.50	0.010.3269.1	1	bushing
280.60	0.010.3269.2	1	ring
284	04415097.4	1	half-shaft dx/rh/re
284.10	04415130	1	coupling disc
284.20	04415131	2	universal joint
284.30	04415132	1	joint
284.40	04415134	1	joint
284.50	0.010.3269.1	1	bushing
284.60	0.010.3269.2	1	ring
300	0.900.0079.6	2	ring
320	04415099	4	roller bearing
350	04415100	16	screw m 10 p.1.5 x 45



9.04412802_5

Agrotron K 90 -> 8155 1001

N0 - FRONT LIFT

GENERAL

FRONT HYDRAULIC POWER-LIFT.....	N0.00.0 (1)
FRONT HYDRAULIC POWER-LIFT.....	04453331/10.A
HYDRAULIC SYSTEM.....	04453331/10.B
HYDRAULIC SYSTEM.....	04453331/10.C
FRONT LIGHTS.....	04453331/10.D

HYDRAULIC SYSTEM FOR SUSPENDED AXLE.....	H0.04.4 (1)
HYDRAULIC SYSTEM FOR SUSPENDED AXLE.....	H0.04.5 (1)
HYDRAULIC SYSTEM FOR SUSPENDED AXLE.....	H0.04.5 (2)
HYDRAULIC SYSTEM FOR SUSPENDED AXLE.....	H0.04.5 (3)
HYDRAULIC SYSTEM FOR SUSPENDED AXLE.....	H0.04.6 (1)
HYDRAULIC SYSTEM FOR SUSPENDED AXLE.....	H0.04.7 (1)
HYDRAULIC SYSTEM FOR SUSPENDED AXLE.....	H0.04.8 (1)
HYDRAULIC SYSTEM FOR SUSPENDED AXLE.....	H0.04.9 (1)
HYDRAULIC SYSTEM FOR SUSPENDED AXLE.....	H0.04.9 (2)
HYDRAULIC SYSTEM FOR SUSPENDED AXLE.....	H0.04.10 (1)
HYDRAULIC SYSTEM FOR SUSPENDED AXLE.....	H0.04.11 (1)
ACCUMULATOR.....	04452756.A
ACCUMULATOR.....	04455149.A

FRONT LIFT

FRONT LIFT - HYDRAULIC SYSTEM.....	H0.05.0 (1)
FRONT LIFT - HYDRAULIC SYSTEM.....	H0.05.1 (1)
FRONT LIFT - HYDRAULIC SYSTEM.....	H0.05.2 (1)
FRONT LIFT - HYDRAULIC SYSTEM.....	H0.05.3 (1)

REAR REMOTE CONTROL VALVES

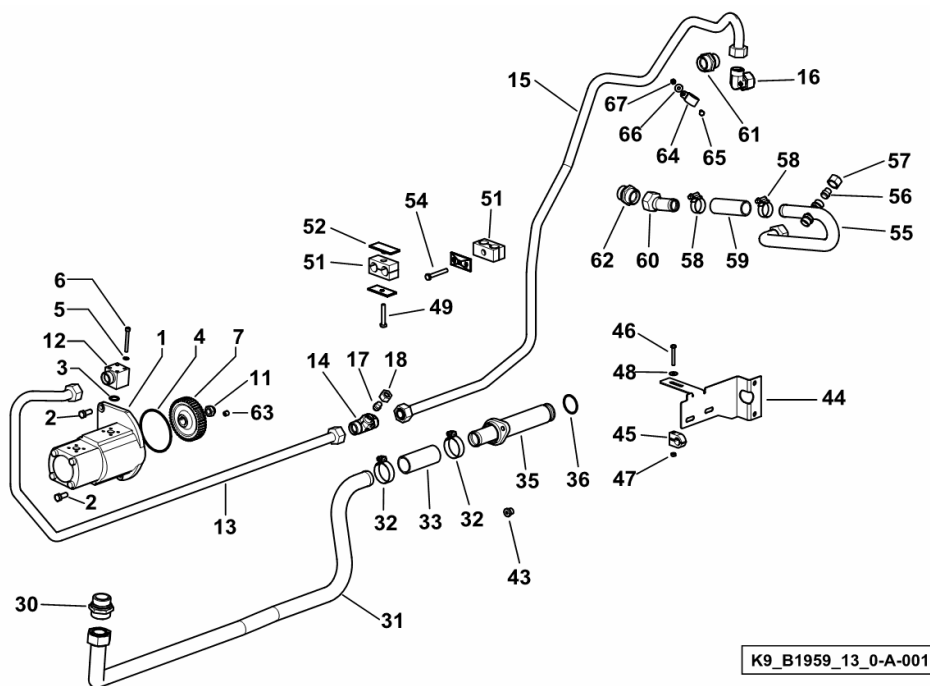
6-WAY AUXILIARY DISTRIBUTOR.....	H0.07.0 (1)
6-WAY HYDRAULIC CONTROL VALVE.....	H0.07.0 (2)
6 WAY HYDRAULIC CONTROL VALVE AND ITALIAN BRAKING SYSTEM.....	H0.07.1 (1)
6 WAY HYDRAULIC CONTROL VALVE AND EXPORT F BRAKING SYSTEM.....	H0.07.2 (1)
8-WAY HYDRAULIC CONTROL VALVE.....	H0.07.3 (1)
8 WAY HYDRAULIC CONTROL VALVE AND ITALIAN BRAKING SYSTEM.....	H0.07.4 (1)
8 WAY HYDRAULIC CONTROL VALVE AND EXPORT F BRAKING SYSTEM.....	H0.07.5 (1)
6-WAY AUXILIARY DISTRIBUTOR.....	H0.07.6 (1)
6-WAY AUXILIARY DISTRIBUTOR.....	H0.07.7 (1)
6-WAY AUXILIARY DISTRIBUTOR.....	H0.07.8 (1)
CONNECTING PLATE.....	H0.07.9 (1)
4 REAR QUICK ACTION COUPLERS.....	H0.07.11 (1)
4 REAR QUICK ACTION COUPLERS.....	H0.07.12 (1)
4 REAR QUICK ACTION COUPLERS.....	H0.07.13 (1)
CONNECTOR OIL COLLECTION SYSTEM.....	H0.07.14 (1)
CONNECTOR OIL COLLECTION SYSTEM.....	H0.07.15 (1)
6-WAY QUICK COUPLERS.....	H0.07.16 (1)
6-WAY QUICK COUPLERS.....	H0.07.16 (2)
6-WAY QUICK COUPLERS.....	H0.07.17 (1)
6-WAY QUICK COUPLERS.....	H0.07.17 (2)
6-WAY QUICK COUPLERS.....	H0.07.18 (1)
QUICK COUPLERS WITH PLUGS.....	H0.07.19 (1)
6 WAY QUICK COUPLERS PACKAGE.....	H0.07.20 (1)
OIL RECOVERY FOR ADDITIONAL REAR COUPLERS.....	H0.07.21 (1)
OIL RECOVERY HOSE.....	H0.07.22 (1)

HYDRAULIC SYSTEM

Fig.	Code	QTY	Name
------	------	-----	------

Notes:

- FOR TYPES WITH MEDIUM HYDRAULIC SYSTEM [Agrotron K 90 -> 8155 1001]



1	04454990	1	hydraulic pump
2	2.0112.309.2	2	screw m 10 p.1.5 x 25
3	06214809	1	'o' ring 18x2,5
4	01180518	1	rubber plug
5	2.1474.007.2	4	washer 6, d128
6	2.0312.117.2	1	screw m 6 x 55
7	04412249	1	gear
11	2.1121.110.2	1	nut m 14 p.1.5
12	04455420	1	flange
13	04455418/10	1	tube
14	04452758/10	1	reduction
15	04455462	1	tube
16	04427232	1	pipe fitting
17	01180565	1	plug h 310
18	01179539	1	nut CL 12 H310
30	01180563	1	tongue m 42x2
31	04455416/10	1	tube
32	2.6851.004.0	2	clamp Ø 32/50
33	04434054	1	rubber sleeve
35	04453139.3/10	1	primer
36	2.1530.106.0	1	'o' ring 40.45x2.62
43	04455436	1	screw
44	04453558/50	1	bracket
45	04454609	1	terminal Ø 18
46	2.0112.017.2	1	screw m 6 p.1x45
47	2.1011.103.2	2	nut m 6 p.1
48	2.1312.003.2	2	washer 6
49	2.0114.217.2	1	screw m 8 p.1.25 x 50
51	04454483	2	terminal Ø 15 / Ø 22
52	04434155	1	small plate
54	2.0112.221.2	1	screw m 8 p.1.25 x 60
55	04455449/10	1	tube
56	01180617	1	cone
57	01179540	1	nut cl 15 h3105
58	01166378	2	hose clip Ø15/38
59	04450510	1	sleeve
60	04455423	1	tube
61	01177224	1	pipe fitting
62	04453962	1	pipe union
63	2.0599.128.6	1	grain m 10
64	01173219	1	clamp

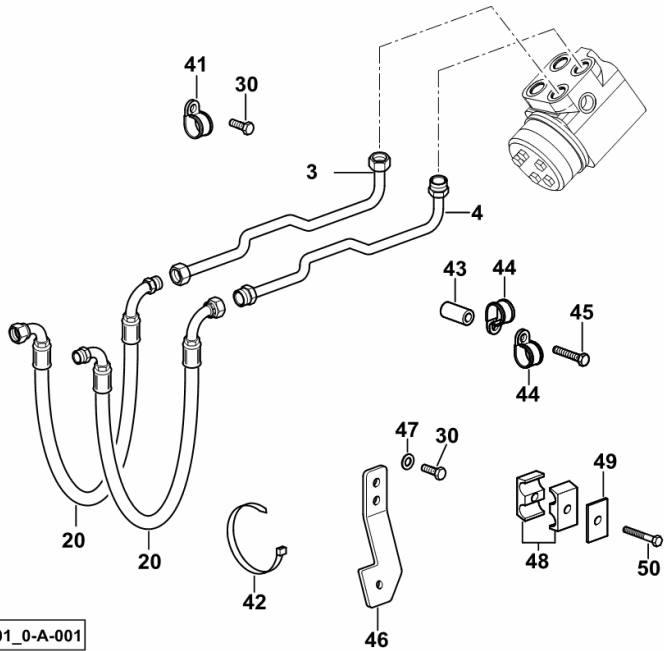
POWER STEERING

Fig.	Code	QTY	Name
------	------	-----	------

Notes:

WITHOUT SUSPENDED AXLE [Agrotron K 90 -> 8155 1001] 1273 <-

3	04450740	1	tube
4	04450739	1	tube
20	04453775	2	tube
30	2.0114.207.2	5	screw m 8 p.1.25 x 20
41	01220008	1	hose clip B10X20
42	2.6852.203.0	2	clamp 292 x 4.8
43	04355272	1	bushing 9x13x16
44	01220008	2	hose clip B10X20
45	2.0114.215.2	1	screw m 8 p.1.25 x 40
46	04454633	1	bracket
47	2.1310.004.2	1	flat washer 8.5
48	01175727	2	terminal
49	01175670	1	small plate
50	2.0114.216.2	1	screw m 8 x 45



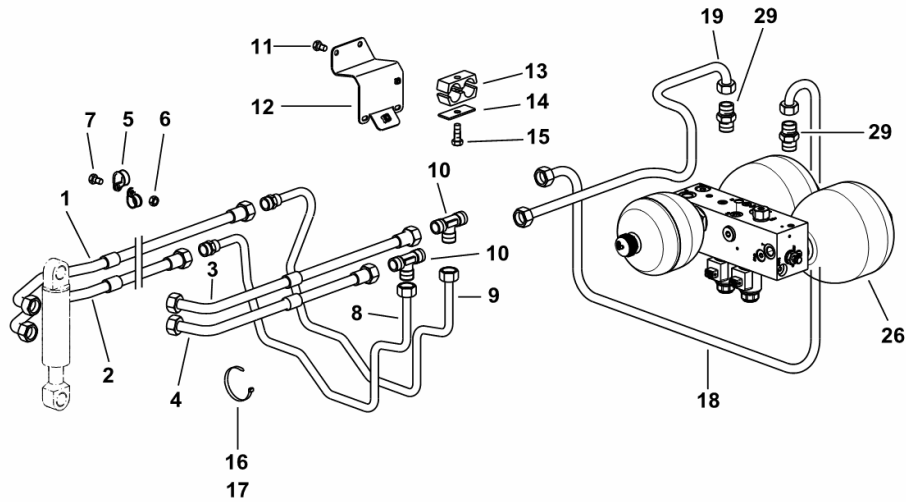
K9_B1563_01_0-A-001

HYDRAULIC SYSTEM FOR SUSPENDED AXLE

Fig.	Code	QTY	Name
------	------	-----	------

Notes:

- FOR TYPES WITHOUT HYDRAULIC TRAILER BRAKING [Agrotron K 90 -> 8155 1001] 2140 <-



K9_B1543_10_0-A-001

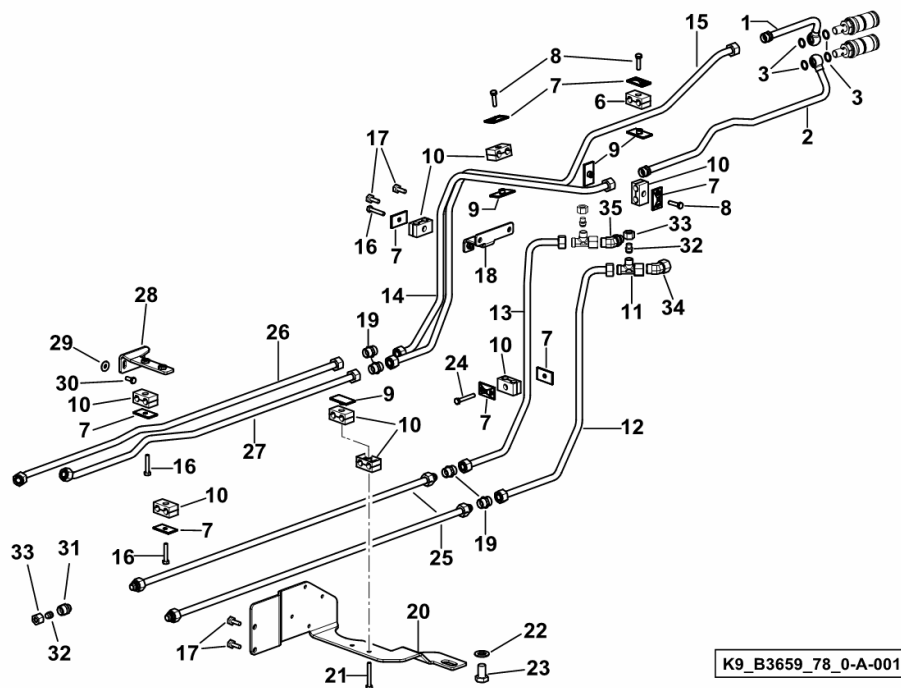
1	04438085/10	1	tube
2	04438086/10	1	tube
3	04437748/10	1	tube
4	04437749/10	1	tube
5	01174437	4	terminal
6	2.1120.005.2	2	nut m 8 p.1.25
7	2.0114.207.2	2	screw m 8 p.1.25 x 20
8	04452367	1	pipng
9	04452366	1	pipng
10	01127372	2	pipe fitting l 15 d3908
11	01139692	2	screw m 10 x 20
12	04452133.3/10	1	support
13	01175727	2	terminal
14	01175670	1	small plate
15	01124457	1	screw m 8 x 45
16	01173143	5	clamp 4,6x280
17	01173143	5	clamp 4,6x280
18	04453628	1	pipng
19	04453629/10	1	tube
26	04452756	1	valve
29	01177226	2	pipe fitting m 18 p.1.5 x 15

FRONT LIFT - HYDRAULIC SYSTEM

Fig.	Code	QTY	Name
------	------	-----	------

Notes:

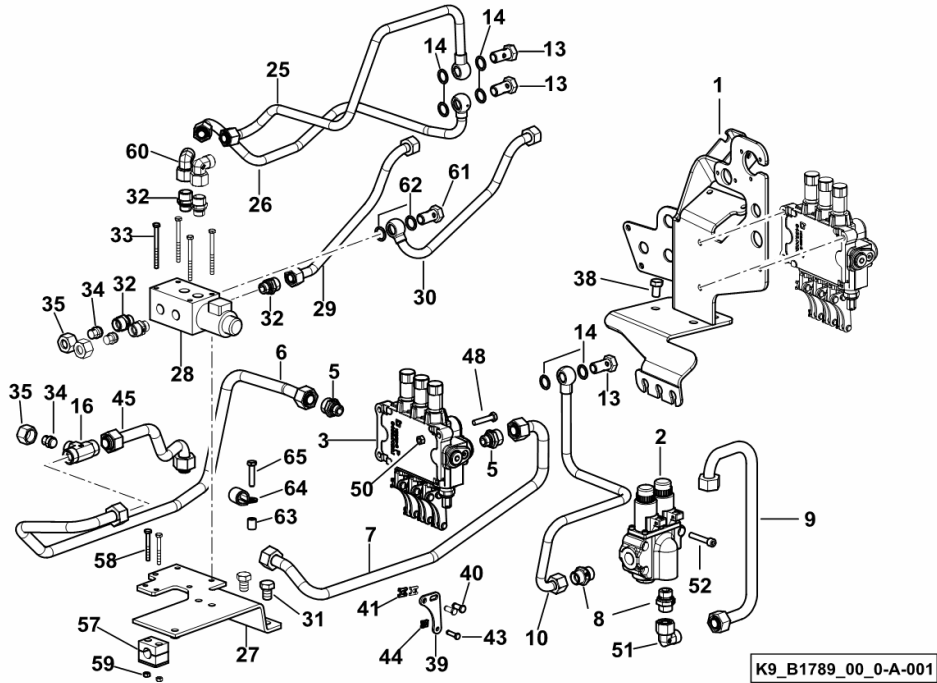
- FOR TYPES WITH FRONT LOADER [Agrotron K 90 -> 8155 1001]



1	04454771	1	pipng
2	04454770	1	pipng
3	2.1560.013.0	4	gasket 18.2x22
6	01175671	2	terminal 12-15
7	01175670	8	small plate
8	2.0112.213.2	3	screw m 8 p.1.25 x 35
9	01180338	4	small plate
10	01175727	16	terminal
11	04454966	2	tongue
12	04454775	1	pipng
13	04454774	1	pipng
14	04454772	1	pipng
15	04454773	1	pipng
16	2.0112.217.2	3	screw m 8 p.1.25 x 45
17	2.0112.309.2	4	screw m 10 p.1.5 x 25
18	04454519	1	support
19	01116711	4	tongue L 15
20	04453388/20	1	support
21	2.0112.221.2	1	screw m 8 p.1.25 x 60
22	2.1310.011.2	1	flat washer 19x34
23	2.0112.715.2	1	screw m 18 p.2.5x40
24	2.0112.220.2	1	screw m 8 p.1.25x55
25	04454688	2	pipng
26	04454780/10	1	pipng
27	04454779/10	1	pipng
28	0.014.9721.3	1	support
29	2.1312.004.2	2	washer 8.4
30	2.0112.207.2	2	screw m 8 p 1.25 x 20
31	04454778	1	tongue
32	01180565	3	plug h 310
33	01179539	3	nut CL 12 H310
34	04454796	1	tongue
35	04454797	1	tongue

8 WAY HYDRAULIC CONTROL VALVE AND EXPORT F BRAKING SYSTEM

Fig.	Code	QTY	Name
45	04453852/10	1	pipng
48	2.0114.215.2	3	screw m 8 p.1.25 x 40
50	2.1011.105.2	3	nut m 8 p.1.25
51	01144817	1	pipe fitting 90°
52	2.0312.215.2	3	screw m 8 p.1.25 x 45
57	04453589	1	shim
58	2.0114.017.2	2	screw m 6 x 50
59	01133500	2	nut vm 6 d980
60	01144817	2	pipe fitting 90°
61	04452057	1	pipe union (1286 <-)
61	04454311	1	pipe union m 18 p.1.5 x 32 (-> 1332)
62	01118718	2	ring 18 x 24
63	04355272	1	bushing 9x13x16
64	01172635	1	hose clip
65	01112350	1	screw m 8 x 35 (2086 <-)
65	2.0114.213.2	1	screw m 8 x 35 (-> 2153)

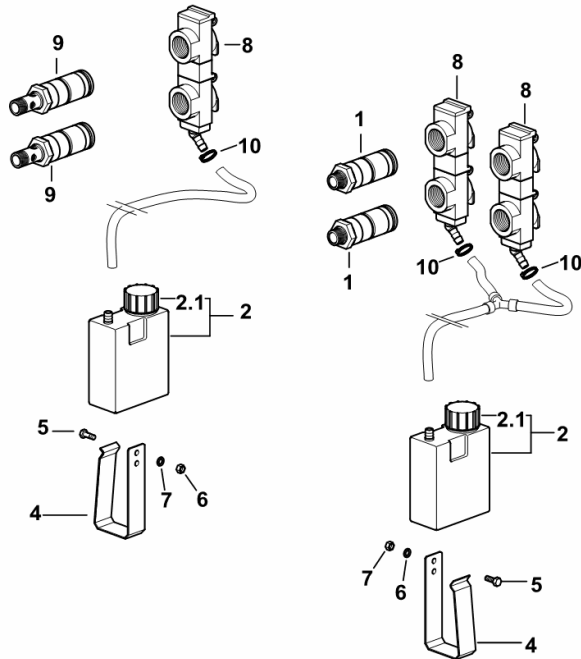


6-WAY QUICK COUPLERS

Fig.	Code	QTY	Name
------	------	-----	------

Notes:

[Agrotron K 90 -> 8155 1001] -> 1734



K9_B1588_42_0-A-002

1	04453631	2	socket ☞ 04453631
2	04426824.4	2	tank 600 cm³
2.1	04428375	1.000	plug
4	04426826	2	tank support
5	2.0114.011.2	4	screw m 6 p,1x30
6	01133500	4	nut vm 6 d980
7	00810311	4	washer 6.4
8	04453951	3	small cover
9	04433073	2	coupling ☞ 04433073
10	04437395	3	clamp

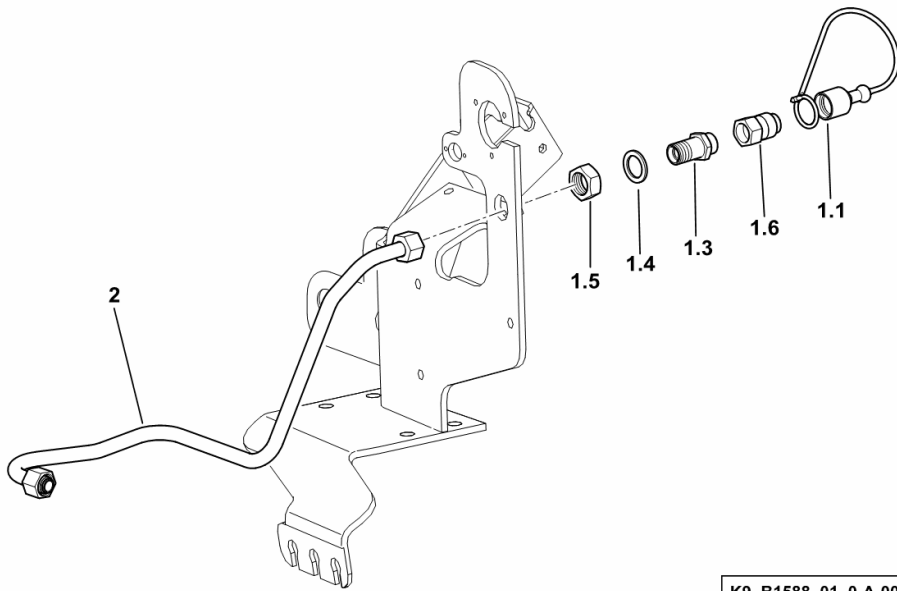
REAR FREE RETURN - NOT PRESSURIZED

Fig.	Code	QTY	Name
------	------	-----	------

Notes:

[Agrotron K 90 -> 8155 1001]

1.1	04345654	1.000	dust guard
1.3	04345652	1.000	pipe fitting
1.4	01107127	1.000	washer
1.5	01137633	1.000	nut m 22 x 1.5
1.6	04363181	1.000	union nut
2	04453637	1	pipng



K9_B1588_01_0-A-001

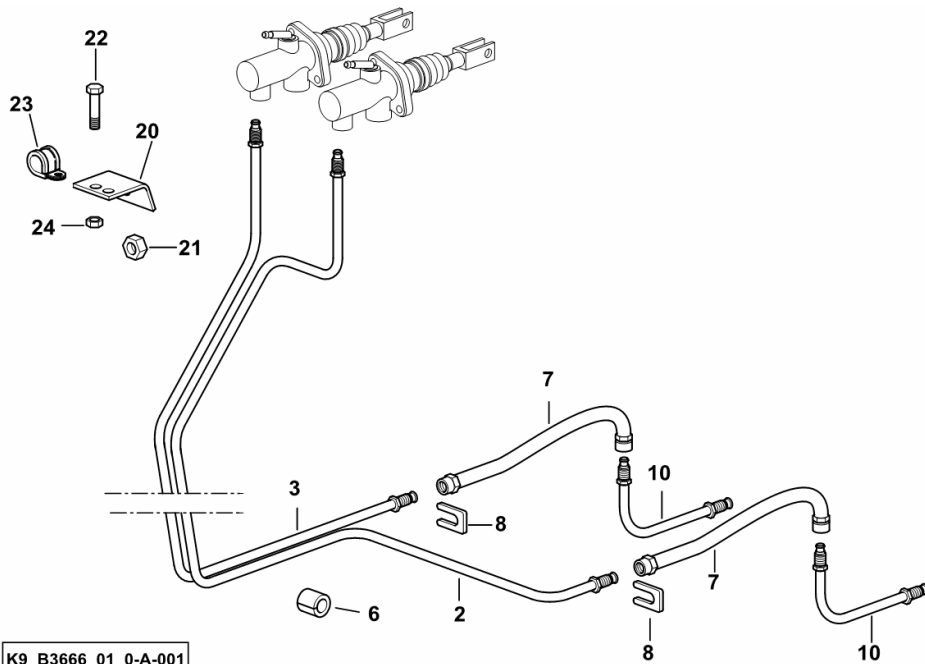
BRAKING SYSTEM

Fig.	Code	QTY	Name
------	------	-----	------

Notes:

- FOR CAB WITH ELECTRONIC OR MECHANICAL SUSPENSIONS [Agrotron K 90 -> 8155 1001] 2137 <-

2	04453808	1	pipng sx/lh/li
3	04454052	1	pipng dx/rh/re
6	01218045	9	rubber plug
7	04415732	2	flexible hose L = mm 400
8	01121654	2	stop
10	04422296	2	tube
20	04453791	1	bracket
21	2.1011.105.2	1	nut m 8 p.1.25
22	2.0114.009.2	2	screw m 6 x 25, d933
23	01179680	2	clamp A15X15
24	2.1011.103.2	2	nut m 6 p.1



K9_B3666_01_0-A-001

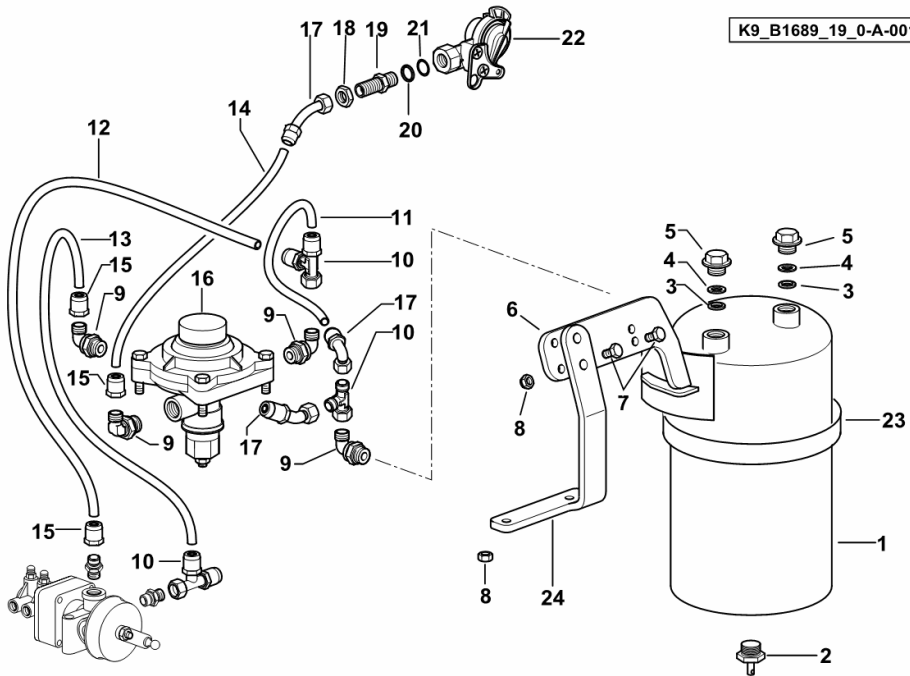
PNEUMATIC TRAILER BRAKING

Fig.	Code	QTY	Name
------	------	-----	------

Notes:

[Agrotron K 90 -> 8155 1001] 1539 <-

1	04414694	1	tank
2	04400757	1	valve (1247 <-)
2	0.012.3383.0	1	valve (-> 1308)
3	02523701	2	ring
4	02523700	2	ring
5	01118980	2	plug m 22 x 1.5
6	04453909.3/20	1	support
7	2.0114.313.2	4	screw m 10 x 35
8	2.1011.106.2	4	nut m 10 p.1.5
9	04454066	4	pipe fitting L
10	04453995	3	pipe fitting
11	04454075/10	1	tube
12	04454076/10	1	tube
13	04454077/10	1	tube
14	04454078	1	tube
15	04438664	1	pipe fitting
16	02382049.4	1	valve ☞ 02382049.4
17	04437700	3	plug
18	2.1012.510.7	1	nut m 18 p.1.5
19	01143567	1	pipe fitting m 22 x 1.5
20	02523701	1	ring
21	02523700	1	ring
22	04322997	1	top
23	2.6859.101.0	1	clamp
24	04453934/10	1	support



PNEUMATIC TRAILER BRAKING

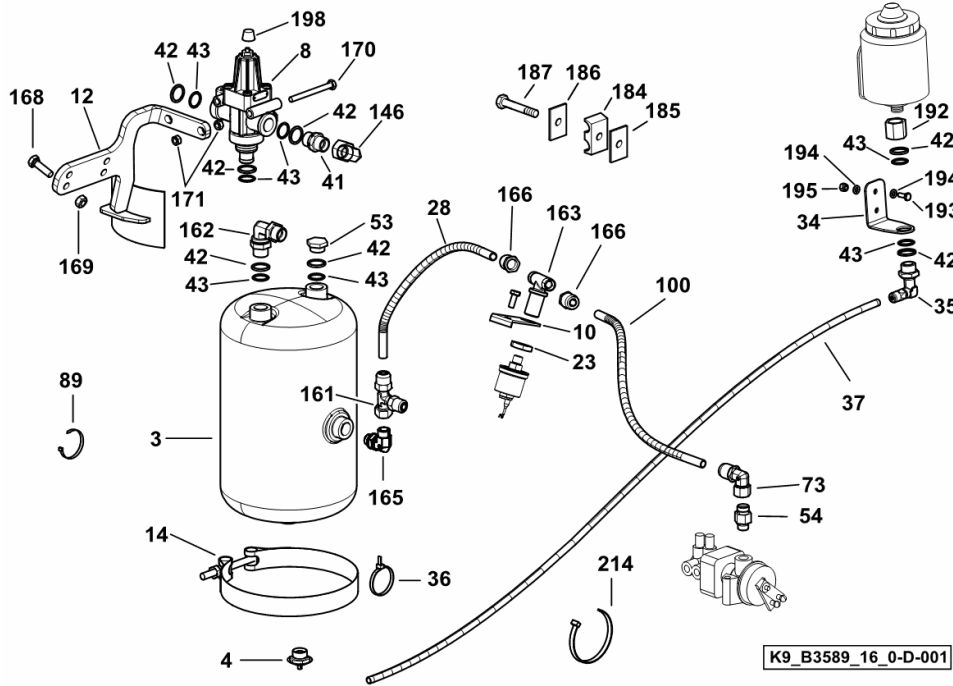


Fig.	Code	QTY	Name
------	------	-----	------

Notes:

ITALY - FOR TYPES WITH MEDIUM HYDRAULIC SYSTEM [Agrotron K 90 -> 8155 1001]

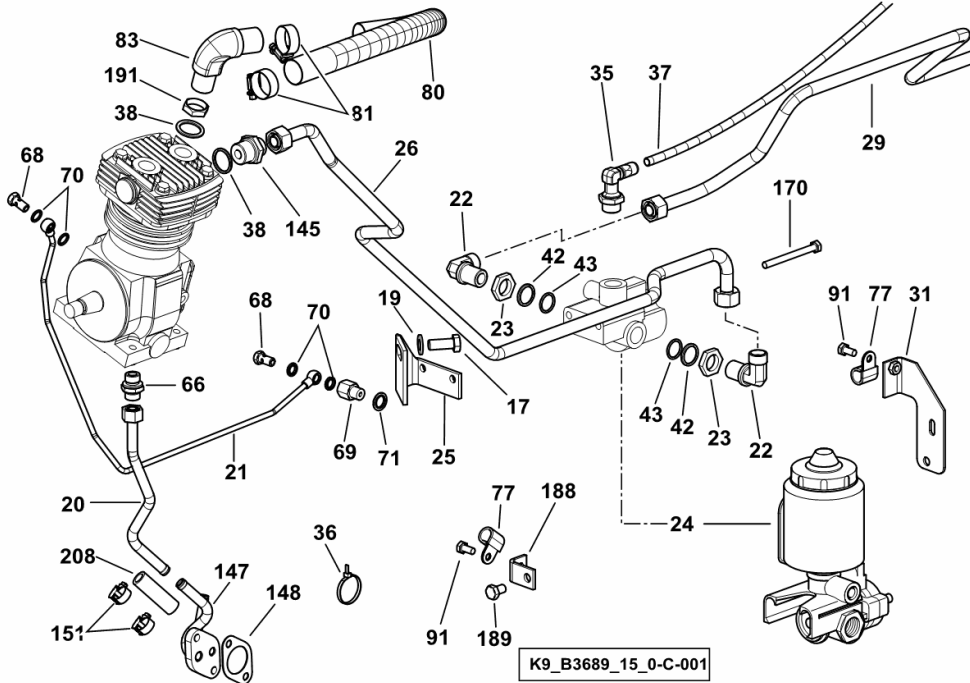
3	04414694	1	tank
4	0.012.3383.0	1	valve
8	04434820	1	regulator ☞ 04434820
10	04454698	1	support
12	04453910.3/30	1	support
14	2.6859.101.0	1	clamp
23	01137633	2	nut m 22 x 1.5
28	04454062/10	1	tube
34	04454225	1	support
35	04432095	2	pipe fitting L
36	2.6852.203.0	3	clamp 292 x 4.8
37	04437674	1	tube L = mm 1700
41	01179536	3	pipe fitting H 3132
42	02523701	14	ring
43	02523700	14	ring
53	01118980	1	plug m 22 x 1.5
54	04389936.4	2	tongue m 16 p.1.5 - m 18 p.1.5
73	04436896.4	2	pipe fitting L
89	2.6852.203.0	5	clamp 292 x 4.8
100	04454064	1	tube
146	01144817	1	pipe fitting 90°
161	04453995	1	pipe fitting
162	04453994	1	pipe fitting
163	04453996	1	pipe fitting
165	04454066	1	pipe fitting L
166	04438664	2	pipe fitting
168	2.0114.309.2	4	screw m 10 p 1.25 x 25
169	2.1011.106.2	4	nut m 10 p.1.5
170	2.0112.225.2	4	screw m 8 p.1.25 x 80
171	2.1011.105.2	6	nut m 8 p.1.25
184	06261591	1	clamp 18/15
185	01180338	1	small plate
186	01175670	1	small plate
187	2.0114.215.2	1	screw m 8 p.1.25 x 40
192	04454094	1	sleeve
193	2.0114.005.2	2	screw m 6 p.1.0 x 16
194	2.1310.002.2	4	washer 6.6, d125
195	2.1120.003.2	2	nut m 6
198	02301792	1	dust guard
214	01173143	3	clamp 4,6x280

PNEUMATIC TRAILER BRAKING - EXPORT D

Fig.	Code	QTY	Name
------	------	-----	------

Notes:

- FOR TYPES WITH HYDRAULIC TRAILER BRAKING (EXPORT D) (EXPORT D) AND FOR MEDIUM HYDRAULIC SYSTEM [Agrotron K 90 -> 8155 1001]



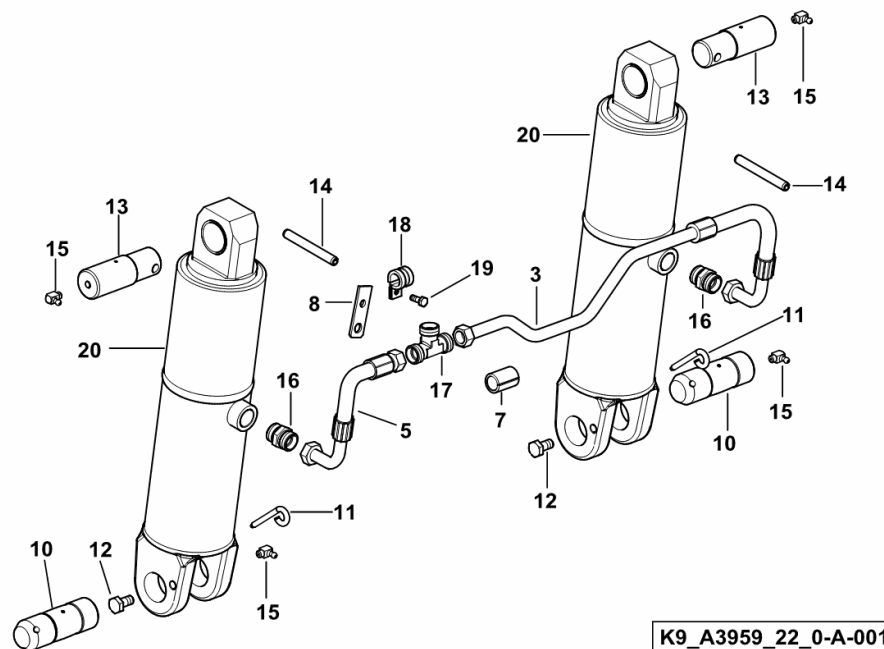
17	2.0114.411.2	1	screw m 12 p.1.75 x 30
19	2.1310.007.2	1	flat washer 13.5
20	04454922	1	tube
21	04454067/20	1	pipng
22	04320595	3	tongue
23	01137633	2	nut m 22 x 1.5
24	04453936	1	pump ☞ 04453936
25	04453976	1	support
26	04454522/10	1	pipng
29	04454507	1	pipng
31	04454120/30	1	support
35	04432095	2	pipe fitting L
36	2.6852.203.0	3	clamp 292 x 4.8
37	04437674	1	tube L = mm 1700
38	01118760	2	gasket 26x31
42	02523701	14	ring
43	02523700	14	ring
66	01178350	1	pipe fitting m 18 p.1.5x12
68	01119237	2	pipe union
69	04452903	1	reduction
70	2.1561.005.0	4	washer typ A
71	2.1561.007.0	1	gasket 14,8x22.2
77	01174437	2	terminal
80	04454300	1	flexible hose 30 x 415
81	2.6851.003.0	1	clamp Ø 25/40
83	04454421	1	tongue
91	2.0114.205.2	2	screw m 8 p.1.25 x 16
145	01179535	1	pipe fitting m 26x1,5/15
147	04454920.3	1	pipe fitting
148	01178421	1	gasket
151	2.6851.019.0	2	clamp Ø 13/20
170	2.0112.225.2	4	screw m 8 p.1.25 x 80
188	04455707	1	bracket
189	2.0112.305.2	1	screw m 10 p.1.5 x 16
191	01123544	1	nut
208	04455400	1	sleeve

POWER LIFT - HYDRAULIC CYLINDER

Fig.	Code	QTY	Name
------	------	-----	------

Notes:

[Agrotron K 90 -> 8155 1001]



3	04454106	1.000	tube dx/rh/re
5	04454105	1.000	tube sx/lh/li
7	04308848	1.000	stop
8	04424522.4	1.000	support
10	04411319	2.000	pin Ø 35x106
11	04413585	2.000	stop
12	2.0114.307.2	2	screw m 10 x 20, d933
13	04411180	2.000	screw
14	2.1630.821.2	2	pin 10x80
15	2.3821.302.2	4.000	lubricator m 8 p.1 x 8
16	01179203	2.000	pipe fitting m 22 p.1.5x15
17	01127372	1.000	pipe fitting l 15 d3908
18	01211882	1.000	collar
19	2.0114.005.2	1.000	screw m 6 p.1.0 x 16
20	04411182.4/10	2	jack Ø 80

☞ 04411182.4/10

K9_A3959_22_0-A-001

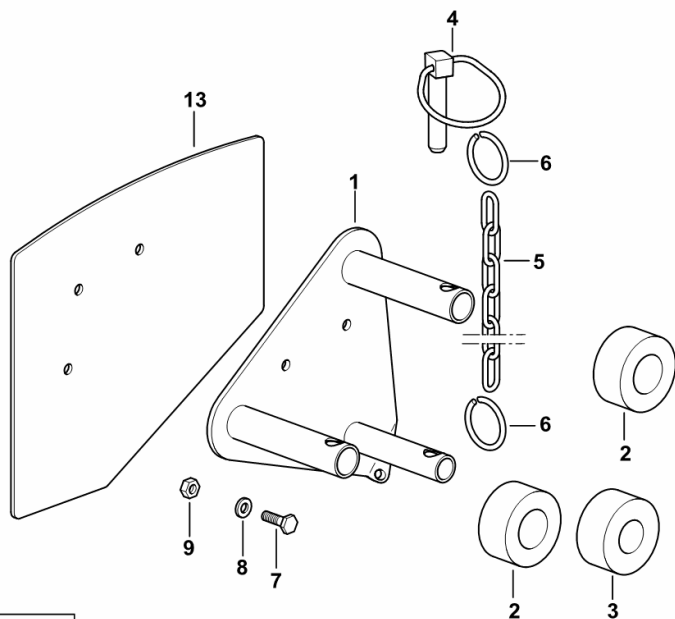
RETAINER FOR COLLECTING TRAY sx/lh/li

Fig.	Code	QTY	Name
------	------	-----	------

Notes:

[Agrotron K 90 -> 8155 1001]

1	04423557.4	1	support
2	04427960	2	rubber ring Ø 26
3	04423947	1	rubber ring Ø 22
4	01124059	1	pin
5	01402736/10	1	chain
6	04305741	2	ring
7	2.0114.007.2	3	screw m 6 p.1 x 20
8	2.1310.002.2	3	washer 6.6, d125
9	01133500	3	nut vm 6 d980
13	04436463	1	plate



K9_95358_70_0-A-001

FRONT TRANSMISSION - [2095 009 037]

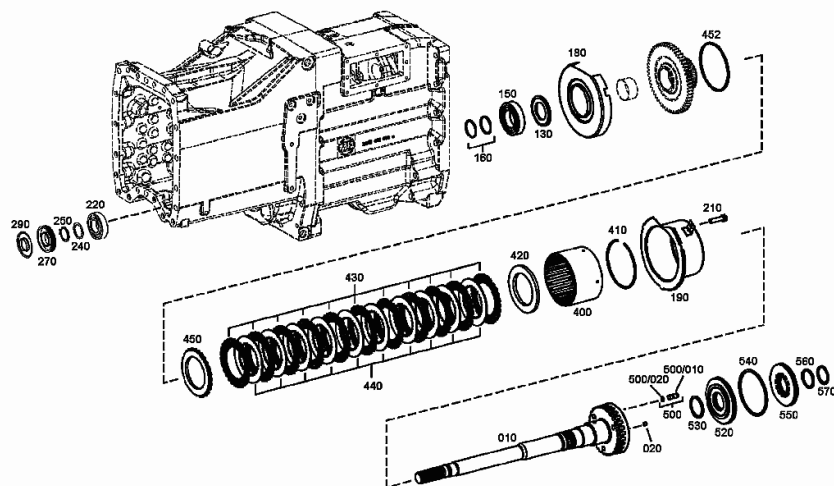


Fig.	Code	QTY	Name
10	04428590	1	shaft Z = 24
20	0.900.0067.3	1	plug
130	04416402	1	shim
150	0.900.0498.5	1	ball bearing
160	04416404	2	ring 48x2.5
180	04416405	1	division
190	04416406	1	division
210	04434553	1	screw m 10 x 40
220	04436319	1	ball bearing
240	0.000.0000.1	1	not serviceable
240	0.010.3394.0	1	washer mm 1.70
240	04416581	1	shim mm 1.90
240	04416582	1	shim mm 2.10
240	04416583	1	shim mm 2.30
240	04416584	1	shim mm 2.50
240	04416585	1	shim mm 2.70
240	04416586	1	shim mm 2.90
240	04416587	1	shim mm 3.10
240	0.010.3392.0	1	washer mm 1.10
240	0.010.3392.1	1	shim mm 1.20
240	0.010.3392.2	1	washer mm 1.30
240	0.010.3393.0	1	washer mm 1.40
240	0.010.3393.1	1	washer mm 1.50
240	0.010.3393.2	1	washer mm 1.60
240	0.010.3394.1	1	washer mm 1.80
240	0.010.3394.2	1	washer mm 2.00
240	0.010.3368.1	1	washer mm 2.20
240	0.010.3368.2	1	washer mm 2.40
250	01273026	1	circlip 35x2.5
270	04416409	1	ring
290	04416410	1	lamination
400	04416605	1	plate carrier z=27
410	04415928	1	ring
420	0.000.0000.1	1	not serviceable
420	04416588	1	shim mm 5.5
420	04416589	1	shim mm 5.7
420	04416590	1	shim mm 5.9
420	04416591	1	shim mm 6.1
420	04416592	1	shim mm 6.3
420	04416593	1	shim mm 6.5
420	04416594	1	shim mm 6.7
420	04416595	1	shim mm 6.9
420	04416596	1	shim mm 7.1
420	0.010.2875.2	1	shim mm 7.3

Section: D0 - TRANSMISSION
CLUTCH - [2095 009 037]

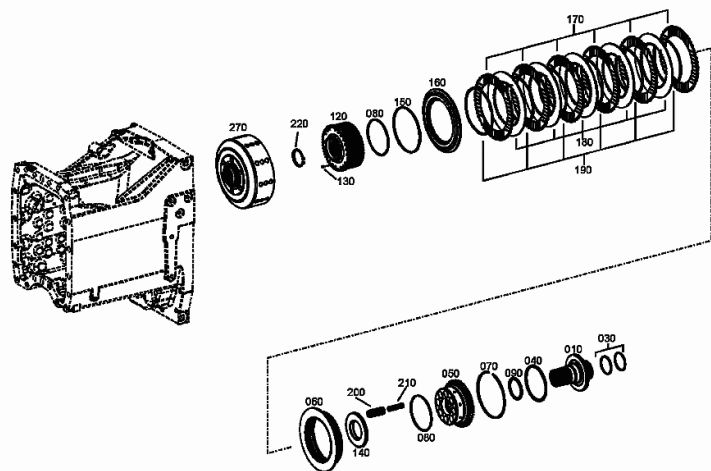
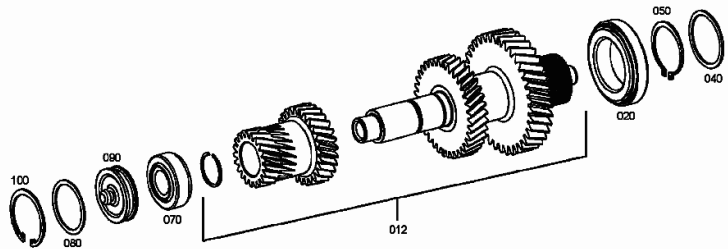


Fig.	Code	QTY	Name
10	04431753	1	gear
30	04431754	2	'o' ring
40	04431755	1	'o' ring
50	04431756	1	carrier
60	04431757	1	gear
70	04431758	1	circlip SB 143
80	04431759	2	'o' ring 106x3
90	04431760	1	'o' ring
120	04431761	1	carrier
130	04431762	20	cover
140	04431763	1	lamination
150	0.000.0000.1	1	not serviceable
150	0.900.0015.1	1	washer mm 2.70
150	0.900.0015.2	1	washer mm 2.70
150	04417207	1	washer mm 2.80
150	04417208	1	washer mm 2.90
150	04417209	1	washer mm 3.00
150	04434436	1	washer mm 3.10
150	04417211	1	washer mm 3.20
150	04417212	1	washer mm 3.30
150	04417213	1	washer mm 3.40
150	04417214	1	washer mm 3.50
150	04417215	1	washer mm 3.6
150	04417216	1	washer mm 3.70
150	04417217	1	washer mm 3.80
150	04417218	1	washer mm 3.90
150	04417219	1	washer mm 4.00
150	04417220	1	washer mm 4.10
150	04417221	1	washer mm 4.20
150	04417222	1	washer mm 4.30
150	04417223	1	washer mm 4.40
150	04417224	1	washer mm 4.50
150	04417225	1	washer mm 4.60
150	04417226	1	washer mm 4.70
150	04417227	1	washer mm 4.80
150	04417228	1	washer mm 4.90
150	04417229	1	washer mm 5.00
150	04434489	1	washer mm 5.10
150	04419170	1	washer mm 5.20
150	04419171	1	washer mm 5.30
150	04423191	1	washer mm 5.60
150	04427550	1	washer mm 5.5
150	04427551	1	washer mm 5.40
150	04439012	1	washer mm 2.30

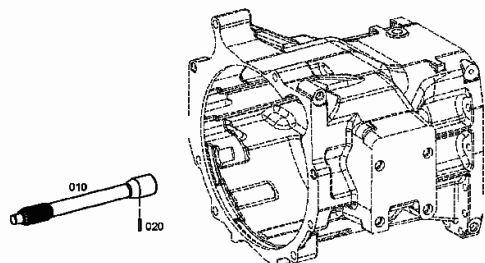
MAIN SHAFT - [2095 009 047]

Fig.	Code	QTY	Name
12	0.900.0283.2	1	main shaft
20	04438468	1	roller bearing
40	0.000.0000.1	1	not serviceable
40	04417041	1	washer mm 1.90
40	04417042	1	washer mm 1.95
40	04417043	1	washer mm 2.00
40	04417044	1	washer mm 2.05
40	04417045	1	washer mm 2.10
40	04417046	1	washer mm 2.15
40	04417047	1	washer mm 2.20
40	04417048	1	washer mm 2.25
40	04417049	1	washer mm 2.30
40	04417050	1	washer mm 2.35
40	04417051	1	washer mm 2.40
40	04417052	1	washer mm 2.45
40	04417053	1	washer mm 2.50
40	04417054	1	washer mm 2.55
40	04417055	1	washer mm 2.60
40	04424430	1	washer mm 2.65
40	04424431	1	washer mm 2.70
40	04424433	1	washer mm 2.80
40	04424434	1	washer mm 2.85
40	04424435	1	washer mm 2.90
50	0.010.3345.2	1	circlip 52x2
70	04368537	1	roller bearing
80	0.000.0000.1	1	not serviceable
80	04416486	1	shim mm 1.30
80	04416487	1	shim mm 1.35
80	04416488	1	shim mm 1.40
80	04416489	1	shim mm 1.45
80	04416490	1	shim mm 1.50
80	04416491	1	shim mm 1.55
80	04416492	1	shim mm 1.60
80	04416493	1	shim mm 1.65
80	04416494	1	shim mm 1.70
80	0.010.3395.0	1	small block mm 1.75
80	0.010.3395.1	1	small block mm 1.80
90	04416612	1	ring
100	04416121	1	circlip 57x2



HOLLOW DRIVE SHAFT - [2095 009 047]

Fig.	Code	QTY	Name
10	04416653	1	shaft
20	0.010.3275.0	1	pin 4 x 26



P.T.O. SHAFT - [2095 009 047]

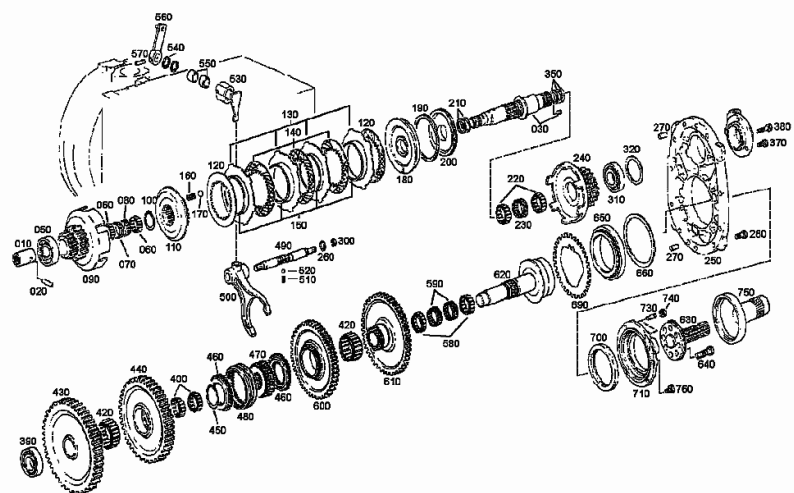
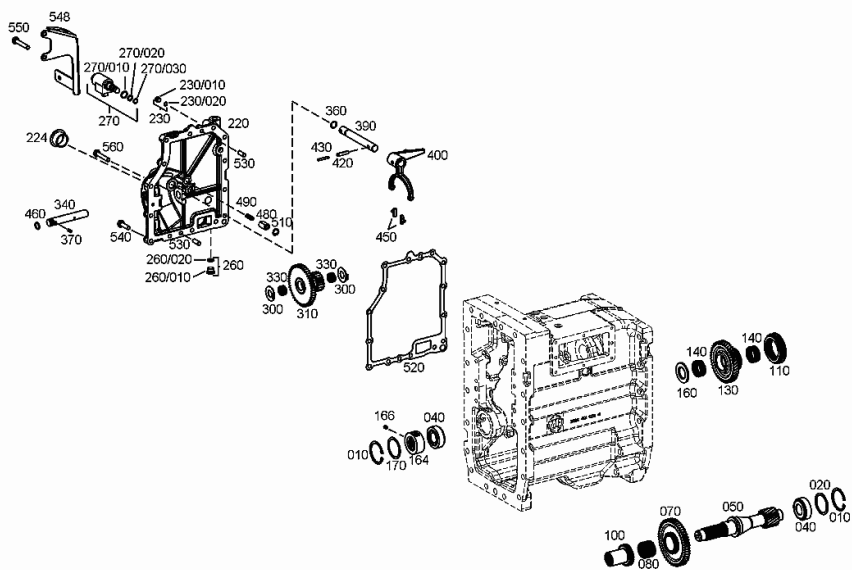


Fig.	Code	QTY	Name
10	04421009	1	sleeve
20	0.900.0290.1	1	roll pin
30	0.900.0058.5	1	shaft
50	04428566	1	bearing
60	04417336	2	roller cage
70	04417337	1	roller cage
80	04417338	3	roller cage
90	0.900.0287.7	1	gear
100	0.010.3724.2	1	circlip 40 x 1.75
110	04417342	1	plate carrier
120	04417343	2	ring
130	04417344	4	ring
140	0.900.0288.7	3	disc
150	04423819	4	spring
160	04417347	8	spring
170	04415830	8	ball 12 mm
180	04417348	1	cylinder
190	0.900.0278.6	1	ring
200	0.900.0125.1	1	piston
210	0.900.0879.0	2	ring
220	04417383	2	roller cage
230	04417353	1	roller cage
240	0.900.0287.8	1	gear
250	04417355	1	cover
260	0.900.0278.8	1	'o' ring
270	04328555	2	cylindrical plug 10 m 6x20
280	0.900.0279.9	11	screw
300	0.010.3358.0	1	nut m 10
310	0.900.0279.2	1	roller bearing
320	0.000.0000.1	1	not serviceable
320	04417360	1	shim
320	04417361	1	shim
320	04417362	1	shim
350	04423359	3	ring
370	0.900.0291.0	4	screw
380	0.900.0280.0	1	screw m 8 x 45
390	04428566	1	bearing
400	04417336	2	roller cage
420	04417368	2	roller cage
430	0.900.0288.3	1	gear
440	04417370	1	gear wheel
450	0.010.3347.1	1	circlip 38x2.5
460	04423336	2	driver
470	04423335	1	support

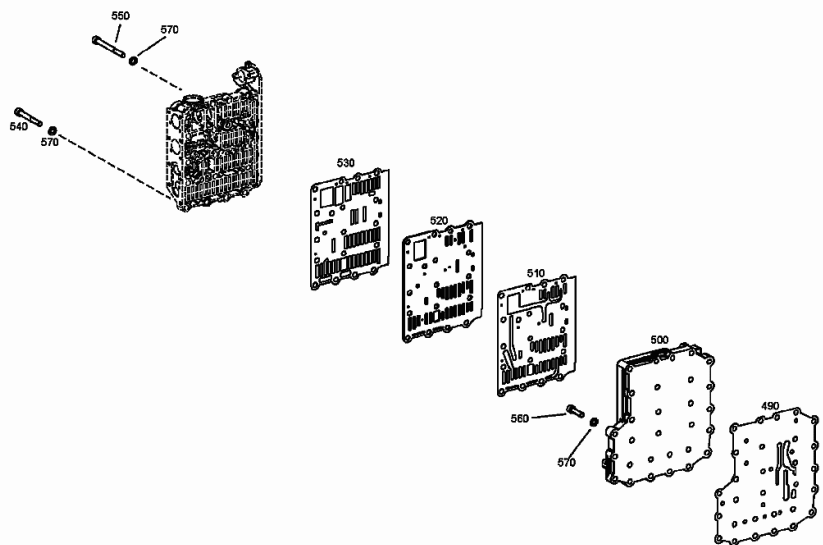
SUPER REDUCTION GEAR UNIT - [2095 009 039]

Fig.	Code	QTY	Name
10	0.900.0289.6	2	circlip
20	04416620	1	shim mm 1.50
40	04431639	2	bearing
50	04416170	1	shaft
70	04416172	1	gear
80	04416107	1	roller cage
100	04416173	1	support
110	04416174	1	sleeve
130	04431646	1	gear z=41 z=25
130	0.900.0957.3	1	gear
140	04416176	2	workshop tool
160	04416177	1	shim
164	04416178	1	ring
166	04416179	1	pin 8x10
170	0.000.0000.1	1	not serviceable
170	04416454	1	shim mm 1.30
170	04416620	1	shim mm 1.50
170	04416455	1	shim mm 1.70
170	04416456	1	shim mm 1.90
170	04416457	1	shim mm 2.10
170	04416458	1	shim mm 2.30
170	04416459	1	shim mm 1.20
170	04416460	1	shim mm 1.25
170	04416461	1	shim mm 1.35
170	04416462	1	shim mm 1.40
170	04416463	1	shim mm 1.45
170	04416470	1	shim mm 1.55
170	04416471	1	shim mm 1.60
170	04416472	1	shim mm 1.65
170	04416473	1	shim mm 1.75
170	04416474	1	shim mm 1.80
170	04416475	1	shim mm 1.85
170	04416476	1	shim mm 1.95
170	04416477	1	shim mm 2.00
170	04416478	1	shim mm 2.05
170	04416479	1	shim mm 2.15
170	04416480	1	shim mm 2.20
170	04416481	1	shim mm 2.25
170	04416482	1	shim mm 2.35
170	04416483	1	shim mm 2.40
170	04416484	1	shim mm 2.45
170	04416485	1	shim mm 2.50
170	0.010.2611.0	1	shim mm 1.72
170	0.010.2611.1	1	shim mm 1.74



TRANSMISSION CONTROL UNIT - [2095 009 039]

Fig.	Code	QTY	Name
490	04417834	1	gasket
500	04416696	1	cover
510	04416699	1	gasket
520	04438437	1	plate
530	04431681	1	gasket
540	04416701	16	screw m 8 x 65
550	04416702	1	screw m 8 x 90
560	04416703	12	screw m 8 x 35
570	04416940	29	washer 8.4



ROAD P.T.O. SHAFT - [2095 009 039]

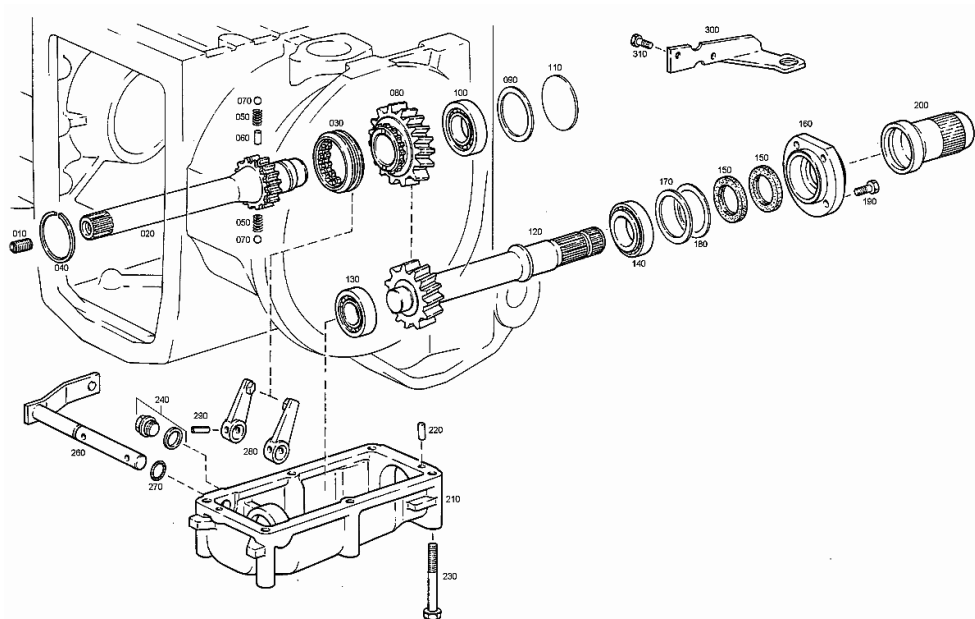


Fig.	Code	QTY	Name
10	04417486	1	pin
20	04417487	1	transmission shaft
30	04417488	1	sleeve
40	0.900.0278.0	1	circlip
50	04417378	2	spring
60	0.900.0953.2	1	cylindrical plug
70	04415909	2	ball
80	04417491	1	gear wheel
90	0.000.0000.1	1	not serviceable
90	04417360	1	shim
90	04417361	1	shim
90	04417362	1	shim
100	0.900.0279.3	1	roller bearing
110	04417494	1	cover
120	04417495	1	shaft
130	04436234	1	roller bearing
140	04416948	1	bearing
150	04417498	2	ring
160	04417499	1	cover
170	0.010.3343.2	1	small block 55x68x0.5
180	0.010.3343.1	1	small block 55x68x0.1
190	0.900.0291.0	4	screw
200	04417500	1	guard
210	04417501	1	box
220	0.900.0953.2	2	cylindrical plug
230	0.900.0279.6	6	screw
240	0.010.3847.2	1	stop
260	0.010.3454.1	1	shaft
270	0.900.0278.8	1	'o' ring
280	04417505	2	lever
290	0.010.3348.1	2	roll pin 8x26
300	0.010.3455.0	1	lamination
310	0.900.0469.5	2	screw m 8 x 100

CLICK HERE TO **DOWNLOAD** THE COMPLETE MANUAL

- Thank you very much for reading the preview of the manual.
- You can download the complete manual from: www.heydownloads.com by clicking the link below



- Please note: If there is no response to CLICKING the link, please download this PDF first and then click on it.

CLICK HERE TO **DOWNLOAD** THE COMPLETE MANUAL