

Agrotron K 100 -> 8156 1001

V0 - BALLAST, TOWING HITCHES

FRONT HITCHES

CATCHING MOUTH.....	V0.01.0 (1)
FRONT TOWING HITCH.....	V0.01.1 (2)

REAR HITCHES

TOWING COUPLING AUTOM. MM 32 - DRAWBAR EYE MM 52.....	V0.02.1 (1)
REAR TOWING HITCH mm 37.....	V0.02.2 (1)
TOWING COUPLING AUTOM. MM 38 - DRAWBAR EYE MM 52.....	V0.02.3 (1)
TOWING COUPLING AUTOM. MM 38 - DRAWBAR EYE MM 63.....	V0.02.4 (1)
DRAWBAR COUPLING MECH.....	V0.02.5 (1)
REAR TOWING HITCH CAT: "C".....	V0.02.6 (1)
REAR TOWING HITCH CAT: "D2".....	V0.02.7 (1)
REAR TOWING HITCH.....	V0.02.8 (1)
REAR TOWING HITCH.....	V0.02.9 (1)
REAR TOWING HITCH CAT: "D3".....	V0.02.10 (1)
PIN FOR REAR TOW HOOK.....	V0.02.11 (1)
TRAILER STAND - DRAWBAR COUPLING mm 525.....	V0.02.12 (1)
REAR TOWING HITCH BRACKET.....	V0.02.13 (1)
REAR TOWING HITCH.....	V0.02.14 (1)
TOWING FRAME - WITH PITON-FIX.....	V0.02.15 (1)
REAR TOWING HITCH BRACKET.....	V0.02.16 (1)
TRAILER STAND - DRAWBAR COUPLING Ø 80.....	V0.02.17 (1)
TRAILER STAND - DRAWBAR COUPLING Ø mm 80.....	V0.02.18 (1)
TRAILER STAND - DRAWBAR COUPLING PITON FIX.....	V0.02.19 (1)
TOWING FRAME - WITH PITON-FIX.....	V0.02.20 (1)
TRAILER STAND - DRAWBAR COUPLING mm 705.....	V0.02.21 (1)
REAR TOWING HITCH BRACKET.....	V0.02.22 (1)
REAR TOWING HITCH BRACKET.....	V0.02.23 (1)
BRACKET.....	V0.02.24 (1)
SWINGING BAR.....	V0.02.25 (1)
TOWING BAR.....	V0.02.26 (1)
REAR OSCILLATING HITCH.....	V0.02.27 (1)
REAR OSCILLATING HITCH.....	V0.02.28 (1)
SWINGING DRAWBAR SUPPORT.....	V0.02.29 (1)
SWINGING DRAWBAR WITH PITON-FIX.....	V0.02.30 (1)
SWINGING DRAWBAR WITH PITON-FIX.....	V0.02.31 (1)
SWINGING DRAWBAR WITH PITON-FIX.....	V0.02.32 (1)
REAR OSCILLATING HITCH.....	V0.02.33 (1)
REAR OSCILLATING HITCH.....	V0.02.34 (1)
PICK-UP-HITCH - MECHANICAL.....	V0.02.35 (1)
PICK-UP-HITCH - HYDRAULIC.....	V0.02.36 (1)
DRAWBAR COUPLING.....	0.014.0402.4/10.A

CLICK HERE TO **DOWNLOAD** THE COMPLETE MANUAL

- Thank you very much for reading the preview of the manual.
- You can download the complete manual from: www.heydownloads.com by clicking the link below



- Please note: If there is no response to CLICKING the link, please download this PDF first and then click on it.

CLICK HERE TO **DOWNLOAD** THE COMPLETE MANUAL

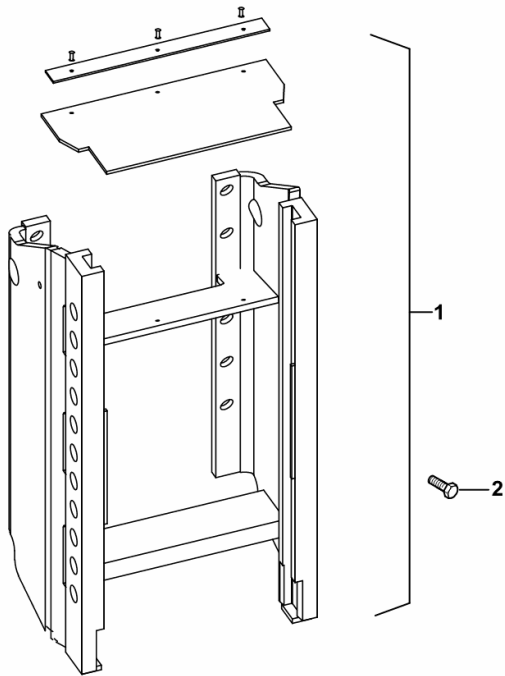
REAR TOWING HITCH BRACKET

Fig.	Code	QTY	Name
------	------	-----	------

Notes:

[Agrotron K 100 -> 8156 1001]

1	04454090	1	casing ☞ 04454090
2	2.0129.071.6	10	screw m 18 p.1.5x40



K9_D3331_72_0-A-001

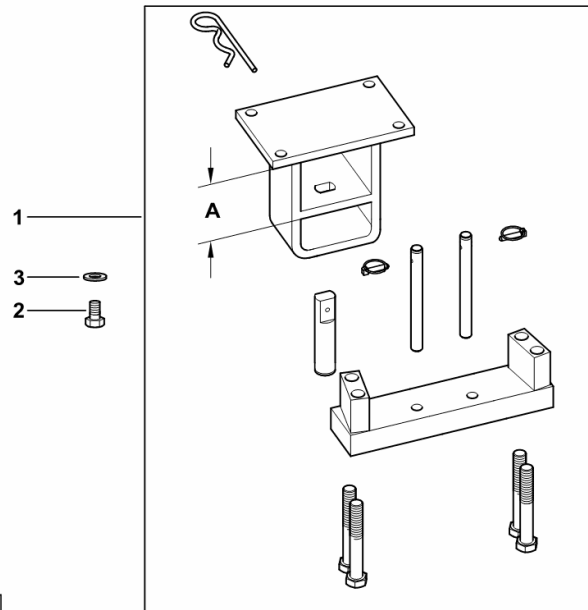
SWINGING DRAWBAR SUPPORT

Fig.	Code	QTY	Name
------	------	-----	------

Notes:

[Agrotron K 100 -> 8156 1001]

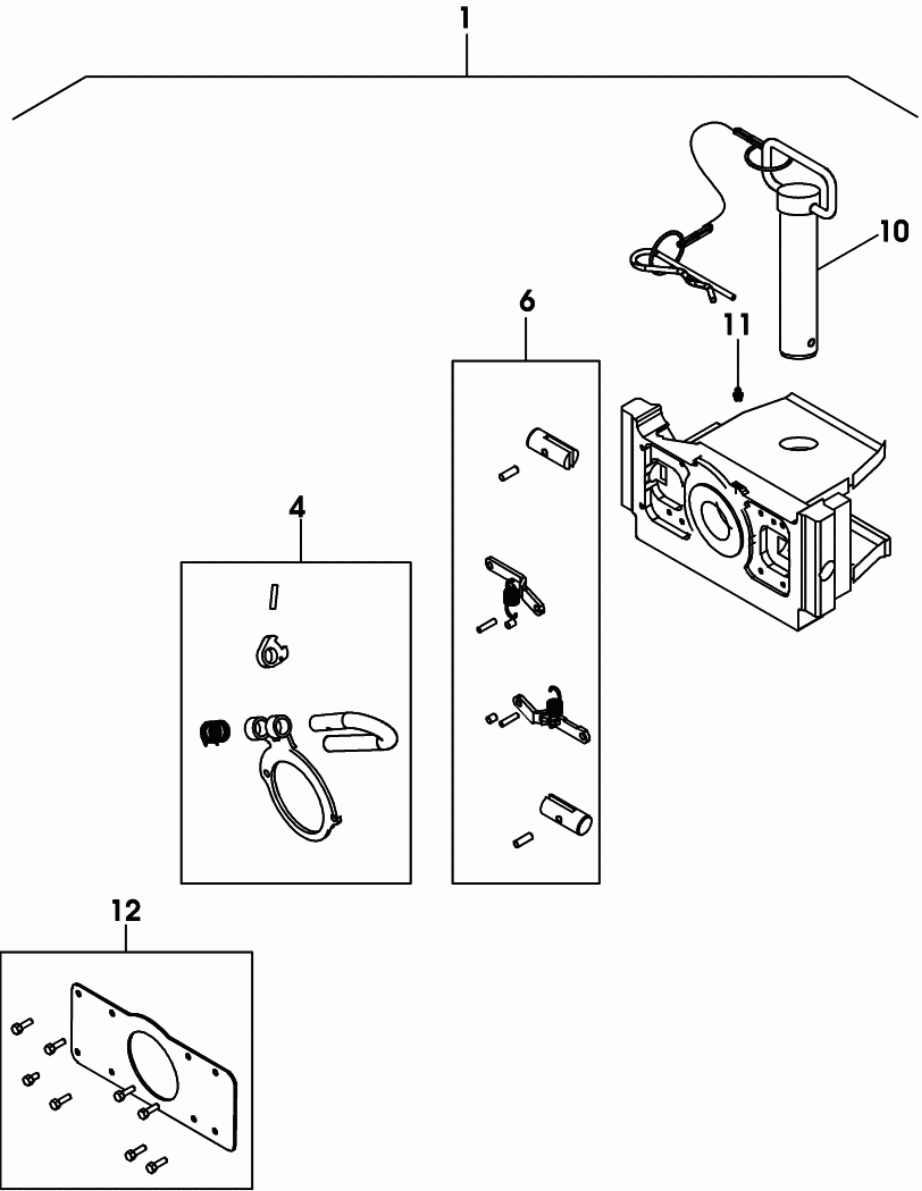
1	04454668	1	chassis frame A = mm 152 ☞ 04454668
2	2.0112.617.2	4	screw m 16 p.2x45
3	01174740	4	washer 16.5



K9_F5131_64_0-A-001

TOWING HITCH

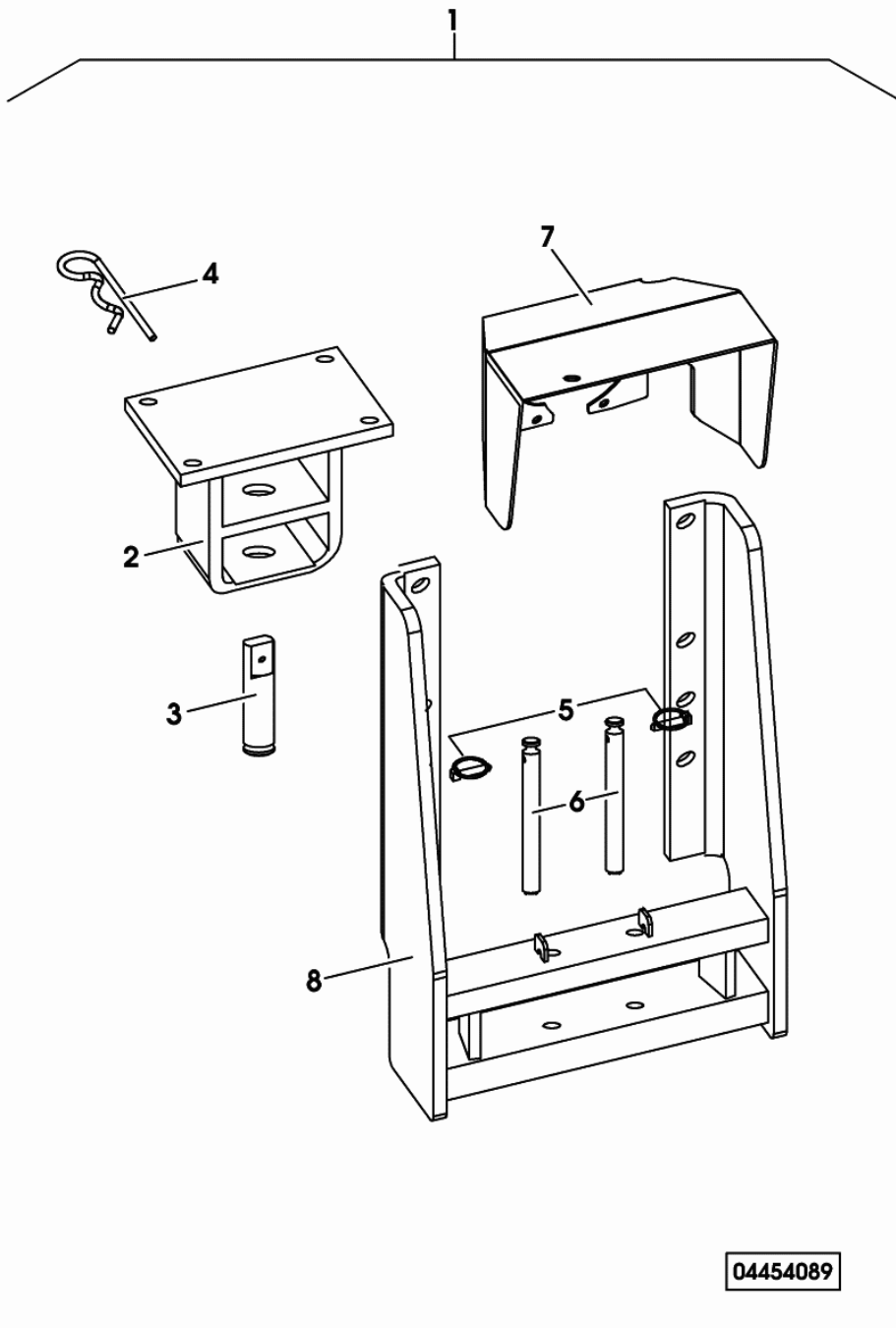
Fig.	Code	QTY	Name
1	04451930	1	clevis SAUERMANN CAT. " D2 "
4	0.900.0384.1	1	accessories
6	0.900.0384.2	1	accessories
10	0.900.0384.3	1	pin
11	0.900.0384.4	1	lubricator
12	0.900.0384.5	1	plate



04451930

SUPPORT

Fig.	Code	QTY	Name
1	04454089	1	chassis frame
2	0.900.0386.3	1	support
3	0.900.0385.6	4	pin
4	0.900.0386.2	1	circlip
5	0.900.0386.1	2	split pin Ø mm 6
6	0.900.0386.0	2	pin
7	0.900.0386.4	2	cover
8	0.000.0000.1	0	not serviceable



COMPRESSOR.....	G0.09.4 (2)
VENTILATION - AIR CONDITIONING.....	G0.09.6 (1)
VENTILATION - AIR CONDITIONING.....	G0.09.6 (2)
AIR DUCTING HOOD - FOR TRACTORS WITHOUT AIR CONDITIONING.....	G0.09.8 (1)
HEATING.....	G0.09.9 (1)
HEATING.....	G0.09.10 (1)
HEATING - PIPES.....	G0.09.11 (1)
PIPING - HEATING.....	G0.09.13 (1)
PIPING - HEATING.....	G0.09.13 (2)
HEATING AND VENTILATION.....	0.013.2170.4.A
HEATING AND VENTILATION.....	0.013.2170.4/10.A
VENTILATION - AIR CONDITIONING.....	0.013.5753.4.A
VENTILATION - AIR CONDITIONING.....	0.013.5753.4/10.A
CLIMATE CONTROL.....	0.013.8833.4.A
HEATER PARTS.....	0.014.5537.4.A
COMPRESSOR-PARTS.....	04437338.A
MECHANICAL CLUTCH CONTROLS	
CLUTCH CONTROL.....	G0.10.0 (1)
MECHANICAL BRAKE CONTROLS	
BRAKE CONTROLS.....	G0.11.0 (1)
BRAKE AND CLUTCH FLUID RESERVOIR.....	G0.11.1 (1)
BRAKE AND CLUTCH FLUID RESERVOIR.....	G0.11.2 (1)
BRAKE AND CLUTCH FLUID RESERVOIR.....	G0.11.3 (1)
TUBES FOR BRAKE OIL TANK.....	G0.11.3 (2)
BRAKE AND CLUTCH FLUID RESERVOIR.....	G0.11.4 (1)
TUBES FOR BRAKE OIL TANK.....	G0.11.4 (2)
HAND BRAKE.....	G0.11.5 (1)
HAND BRAKE.....	G0.11.6 (1)
TANK - PARTS.....	04432281.A
MECHANICAL - ELECTRONIC THROTTLE CONTROLS	
CONTROL PEDAL FOR ELECTRONIC THROTTLE.....	G0.12.0 (1)
HAND CONTROL FOR ELECTRONIC THROTTLE.....	G0.12.1 (1)
STEERING CONTROLS	
STEERING WHEEL.....	G0.13.1 (1)
STEERING COLUMN.....	G0.13.5 (1)
STEERING COLUMN.....	0.012.8914.4/30.A
STEERING COLUMN.....	0.014.8754.4/10.A
MECHANICAL GEARSHIFT CONTROLS	
GEAR SHIFTING.....	G0.14.0 (1)
DRIVE FOR GEAR CHANGE BOX.....	G0.14.1 (1)
GEAR SHIFTING.....	0.013.3454.4.A
GEAR SHIFTING.....	0.014.1376.3.A
TRANSMISSION CONTROL LEVERS.....	0.014.4950.4.A
PTO CONTROLS	

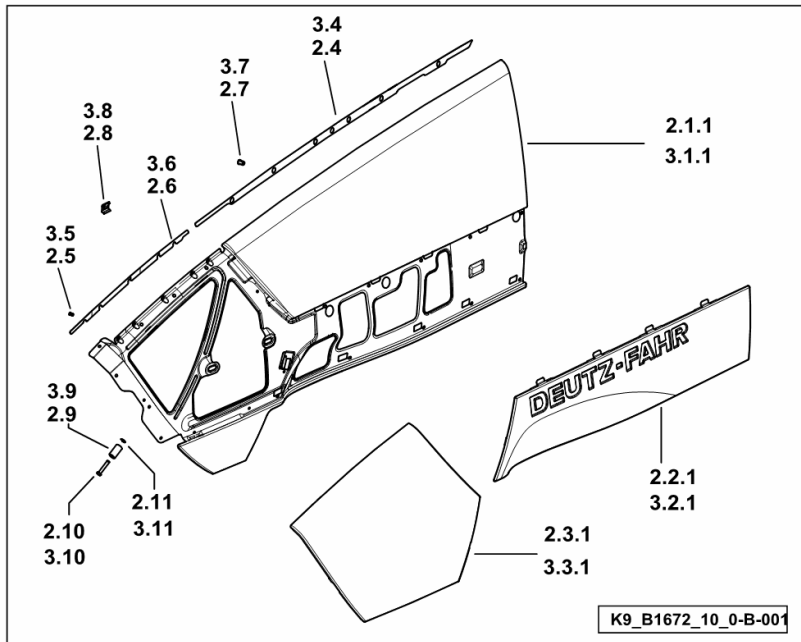
BONNET - SIDES

Fig.	Code	QTY	Name
------	------	-----	------

Notes:

[Agrotron K 100 -> 8156 1001] -> 2435

2	0.014.1006.4/40	1	bonnet
2.1.1	0.014.1773.3/20	1	lift hand side panel
2.2.1	0.014.1007.0/20	1	grille sx/lh/li
2.3.1	0.014.0917.0/10	1	grille sx/lh/li
2.4	0.014.1785.0	1	gasket sx/lh/li
2.5	2.1856.004.0	7	rivet 4
2.6	0.012.9163.0/10	1	gasket sx/lh/li
2.7	2.1149.004.2	5	insert m 6
2.8	0.014.4513.0	5	spring
2.9	0.013.2570.0	1	sleeve
2.10	0.013.2571.0	1	smau pin
2.11	2.1430.006.2	1	circlip 5
3	0.014.1002.4/40	1	right h.side panel
3.1.1	0.014.1795.3/20	1	right h.side panel
3.2.1	0.014.1003.0/20	1	grille/grid
3.3.1	0.014.0923.0/10	1	grille/grid
3.4	0.014.1798.0	1	gasket dx/rh/re
3.5	2.1856.004.0	7	rivet 4
3.6	0.012.9164.0/10	1	gasket dx/rh/re
3.7	2.1149.004.2	5	insert m 6
3.8	0.014.4513.0	5	spring
3.9	0.013.2570.0	1	sleeve
3.10	0.013.2571.0	1	smau pin
3.11	2.1430.006.2	1	circlip 5



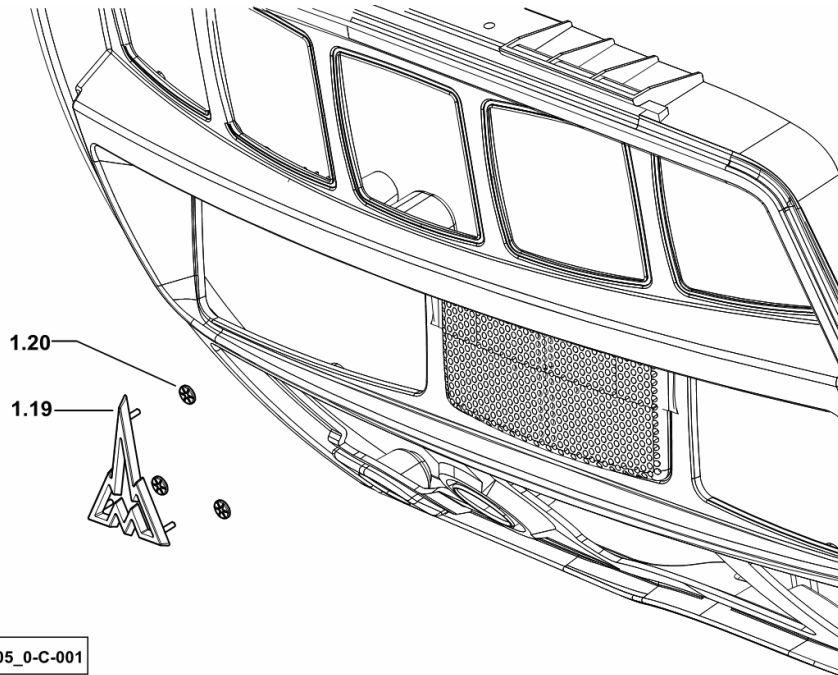
PRODUCT PLATE

Fig.	Code	QTY	Name
------	------	-----	------

Notes:

- FOR LEFT-HAND DRIVE [Agrotron K 100 -> 8156 1001]

1.19	0.013.9984.0/10	1	graphical symbol DEUTZ-FAHR
1.20	2.6999.076.0	3	washer



K9_B1685_05_0-C-001

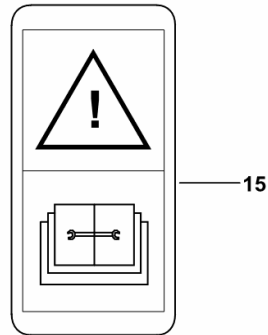
IDENTIFICATION PLATE

Fig.	Code	QTY	Name
------	------	-----	------

Notes:

- FOR CAB WITH ELECTRONIC OR MECHANICAL SUSPENSIONS [Agrotron K 100 -> 8156 1001] 2882 <-

15	04453789/10	1	stickers
----	-------------	---	----------



K9_B3666_01_0-C-001

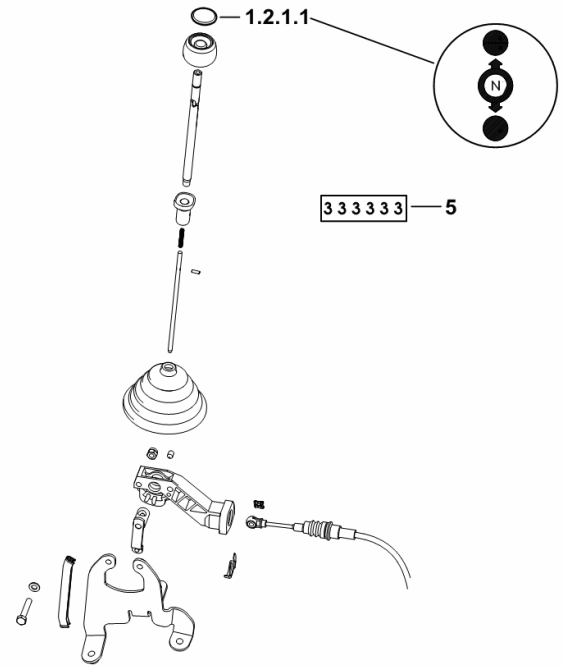
IDENTIFICATION PLATES - FOR 2-WAY CONTROL VALVE

Fig.	Code	QTY	Name
------	------	-----	------

Notes:

- FOR TYPES WITH MEDIUM HYDRAULIC SYSTEM [Agrotron K 100 -> 8156 1001]

1.2.1.1	0.014.3661.0	1	cap
5	2.9929.410.0	1	plate 3



K9_B1788_05_0-B-001

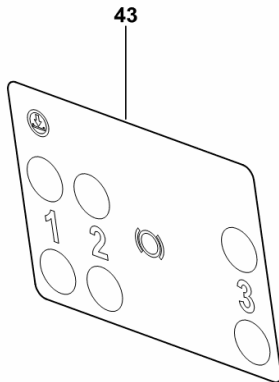
PLATES- FOR 6-WAY DISTRIBUTOR

Fig.	Code	QTY	Name
------	------	-----	------

Notes:

- FOR TYPES WITH HYDRAULIC TRAILER BRAKING (EXPORT F) AND MEDIUM HYDRAULIC SYSTEM [Agrotron K 100 -> 8156 1001]

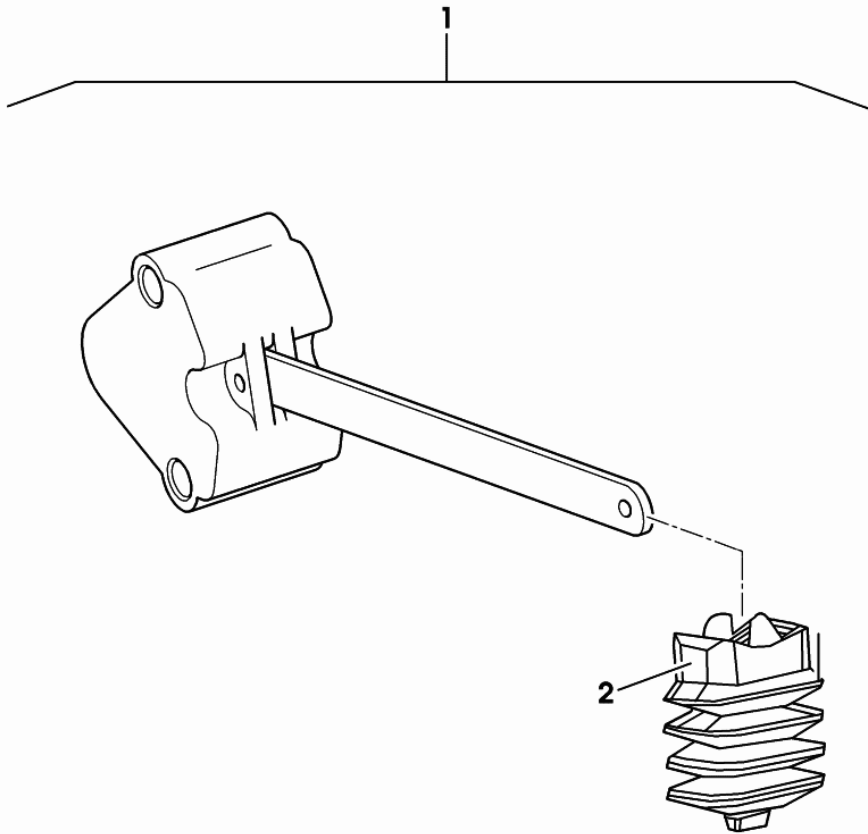
43	04455459	1	autoadesive labels
----	----------	---	--------------------



K9_B3589_00_0-C-001

RELAY VALVE

Fig.	Code	QTY	Name
1	04432191	1	valve
2	0.900.0134.9	1	bellows



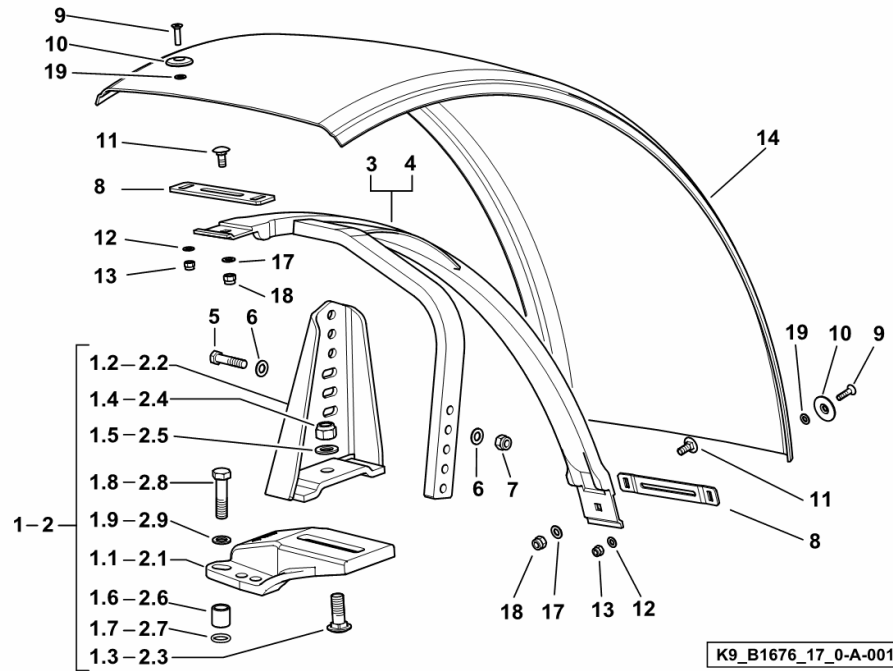
04432191

ADJUSTABLE FRONT FENDERS 470 MM

Fig.	Code	QTY	Name
------	------	-----	------

Notes:

[Agrotron K 100 -> 8156 1001] -> 1792 - 1896 <-



1	0.014.7119.4/20	1	support
1.1	0.014.7120.0/10	1	bracket
1.2	0.014.4437.3	1	support dx/rh/re
1.3	2.0029.510.2	1	screw m18x50
1.4	2.1120.210.2	1	selflock nut m 18 p.1.5
1.5	2.1310.011.2	1	flat washer 19x34
1.6	2.1549.333.2	4	spacer 19x27x45 (1796 <-)
1.6	2.1549.628.2	4	spacer 19x27x28 (-> 1896)
1.7	2.1530.033.0	4	'o' ring 13.10x2.62
1.8	2.0112.625.2	4	screw m 16 p.2x80 (1796 <-)
1.8	2.0112.622.2	4	screw m 16 p.2x65 (-> 1896)
1.9	2.1310.010.2	4	flat washer 16
2	0.014.7121.4/20	1	support
2.1	0.014.7120.0/10	1	bracket
2.2	0.014.4447.3		support sx/lh/li
2.3	2.0029.510.2	1	screw m18x50
2.4	2.1120.210.2	1	selflock nut m 18 p.1.5
2.5	2.1310.011.2	1	flat washer 19x34
2.6	2.1549.333.2	4	spacer 19x27x45 (1796 <-)
2.6	2.1549.628.2	4	spacer 19x27x28 (-> 1896)
2.7	2.1530.033.0	4	'o' ring 13.10x2.62
2.8	2.0112.625.2	4	screw m 16 p.2x80 (1796 <-)
2.8	2.0112.622.2	4	screw m 16 p.2x65 (-> 1896)
2.9	2.1310.010.2	4	flat washer 16
3	0.014.7115.2	1	chassis frame dx/rh/re
4	0.014.7118.2	1	chassis frame sx/lh/li
5	2.0112.420.2	4	screw m 12 p.1.75x55
6	2.1475.004.2	8	washer 12
7	2.1120.007.2	4	nut m 12 p.1.75
8	0.014.7124.0	4	plate
9	2.0342.308.6	8	screw m 8 p.1.25 x 30
10	2.1399.016.0	8	washer
11	2.0020.306.2	4	screw m 10 x 25
12	2.1475.002.2	8	conical washer 8
13	2.1120.005.2	8	nut m 8 p.1.25
14	04415575	2	bumpers mm 470
17	2.1475.003.2	4	washer 10
18	2.1120.006.2	4	nut m 10 p.1.5
19	2.1310.004.2	8	flat washer 8.5

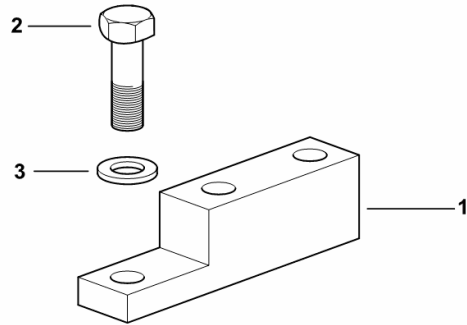
SPACER FOR FRONT FENDER SUPPORT

Fig.	Code	QTY	Name
------	------	-----	------

Notes:

[Agrotron K 100 -> 8156 1001] 1940 <-

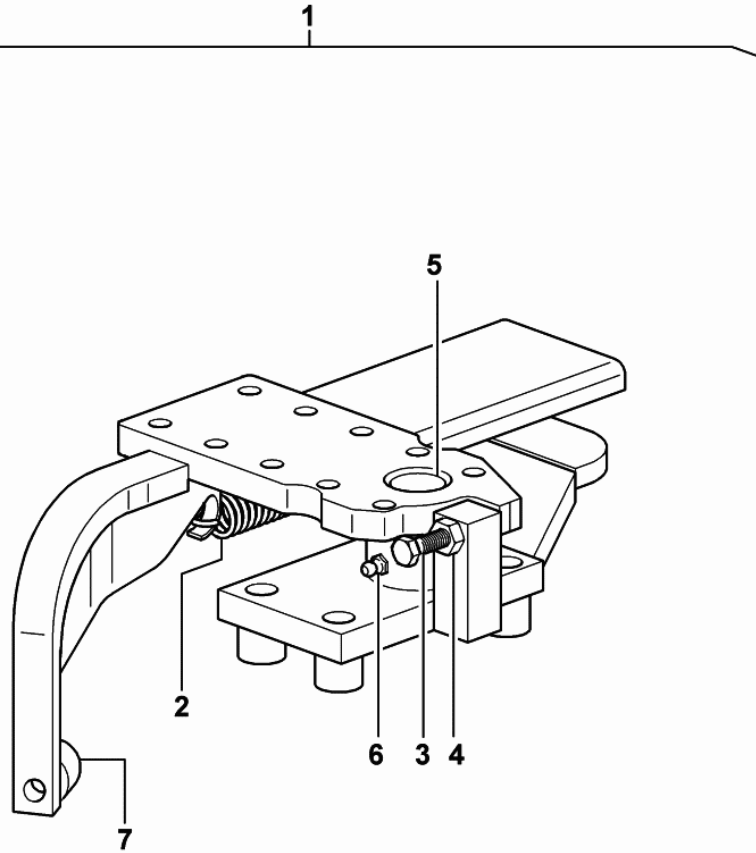
1	0.014.9720.0	4	spacer
2	2.0112.619.2	4	screw m 16 p.2x50
3	2.1310.010.2	4	flat washer 16



K9_B1776_19_0-A-001

WING HOLDER

Fig.	Code	QTY	Name
1	04451215.4	1	support dx/rh/re
2	0.900.0002.5	1	spring
3	01112572	1	screw m 12 x 60
4	01112858	1	nut m 12, d934
5	01107755	1	ring 40 x 1,75, d471
6	01100384	1	lubricator
7	0.900.0003.2	1	tube



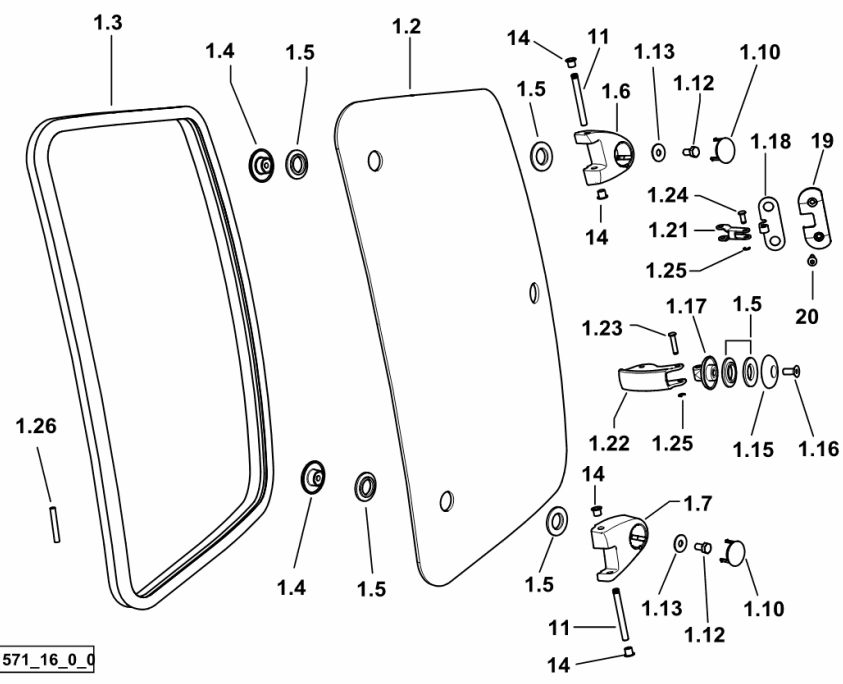
04451215_4

OPENABLE SIDE WINDOW - SX/LH/LI

Fig.	Code	QTY	Name
------	------	-----	------

Notes:
[Agrotron K 100 -> 8156 1001]

1.2	0.012.1437.0	1	glass sx/lh/li
1.3	0.014.3817.0	2	gasket M 3.220
1.4	0.012.6176.2/10	2	washer
1.5	0.012.6178.0	6	gasket
1.6	0.012.6593.0/10	1	hinge sx/lh/li
1.7	0.012.6594.0/10	1	hinge sx/lh/li
1.10	0.012.6605.0/20	2	tube
1.12	2.0112.205.2	2	screw m 8 p.1.25 x 16
1.13	2.1312.004.2	2	washer 8.4
1.15	0.012.6177.0	1	washer
1.16	2.0342.305.3	1	screw m 8 p 1.25 x 20
1.17	0.012.7219.2	1	support
1.18	0.012.7220.0	1	plate
1.21	0.012.7215.0	1	bracket
1.22	0.012.7218.0	1	handle
1.23	2.1679.100.2	2	pin
1.24	2.1679.099.2	1	pin
1.25	2.1430.005.7	3	circlip 4
1.26	04418372	0.05	sealing section
11	0.012.6608.0	2	pin
14	2.2841.018.0	4	sleeve
19	0.012.7216.0	1	cover
20	2.0362.207.3	2	screw m 6 x 20



K9_B1571_16_0_0

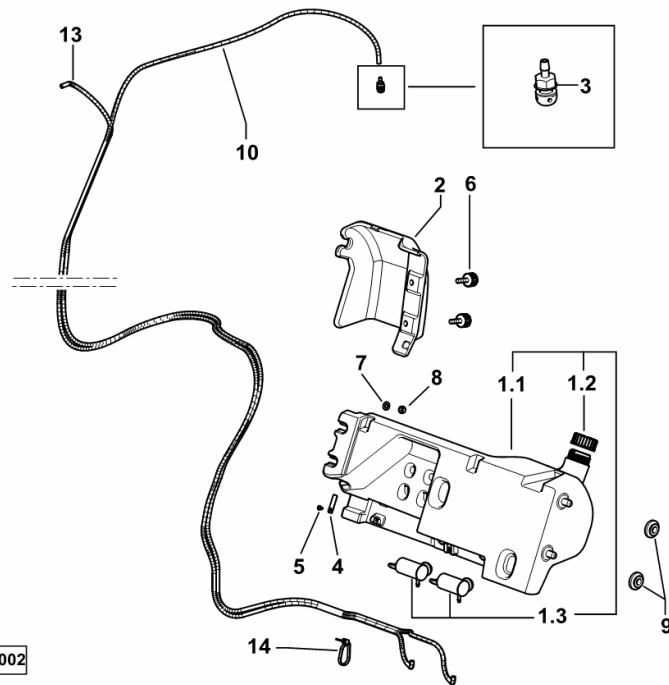
WATER TANK - FOR FRONT AND BACK WINDSHIELD WIPER

Fig.	Code	QTY	Name
------	------	-----	------

Notes:

[Agrotron K 100 -> 8156 1001] -> 1279 - 1507 <-

1	0.013.8392.4/30	1	cup
1.2	04414770	1	plug
1.3	0.013.8360.0	2	water pump
2	0.013.2168.0/20	1	cover
3	0.9231.556.4	1	cooling nozze
4	0.013.2178.0	2	plate
5	2.0332.202.3	2	screw m 4 p.0.7x8
6	0.013.2177.3	2	screw
7	2.1310.004.2	2	flat washer 8.5
8	2.1011.105.2	2	nut m 8 p.1.25
9	2.6569.061.0	2	disc
10	01396853	3.25	flexible hose
13	01396853	2.73	flexible hose
14	2.6852.001.0	1	clamp 99 x 2.5



K9_B1571_35_0-A-002

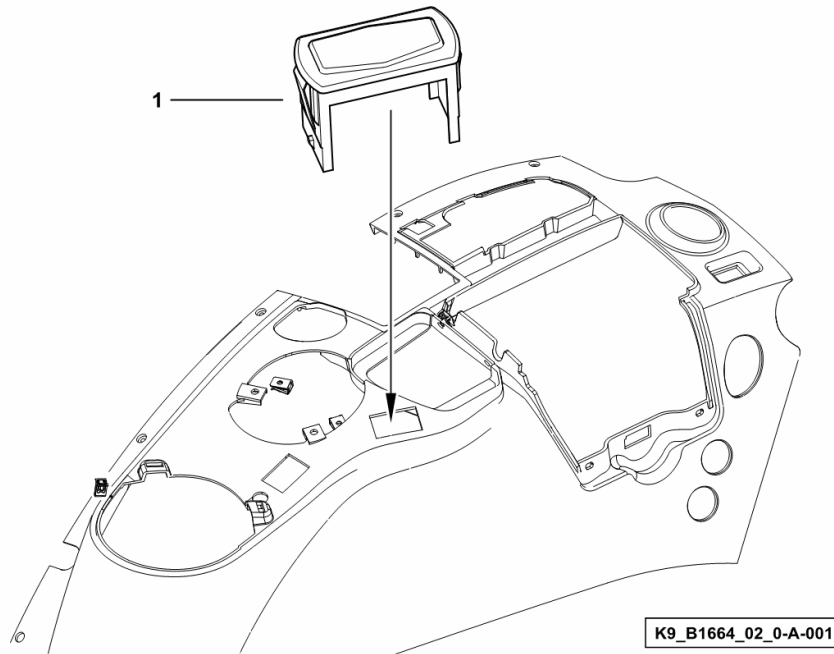
PLUG

Fig.	Code	QTY	Name
------	------	-----	------

Notes:

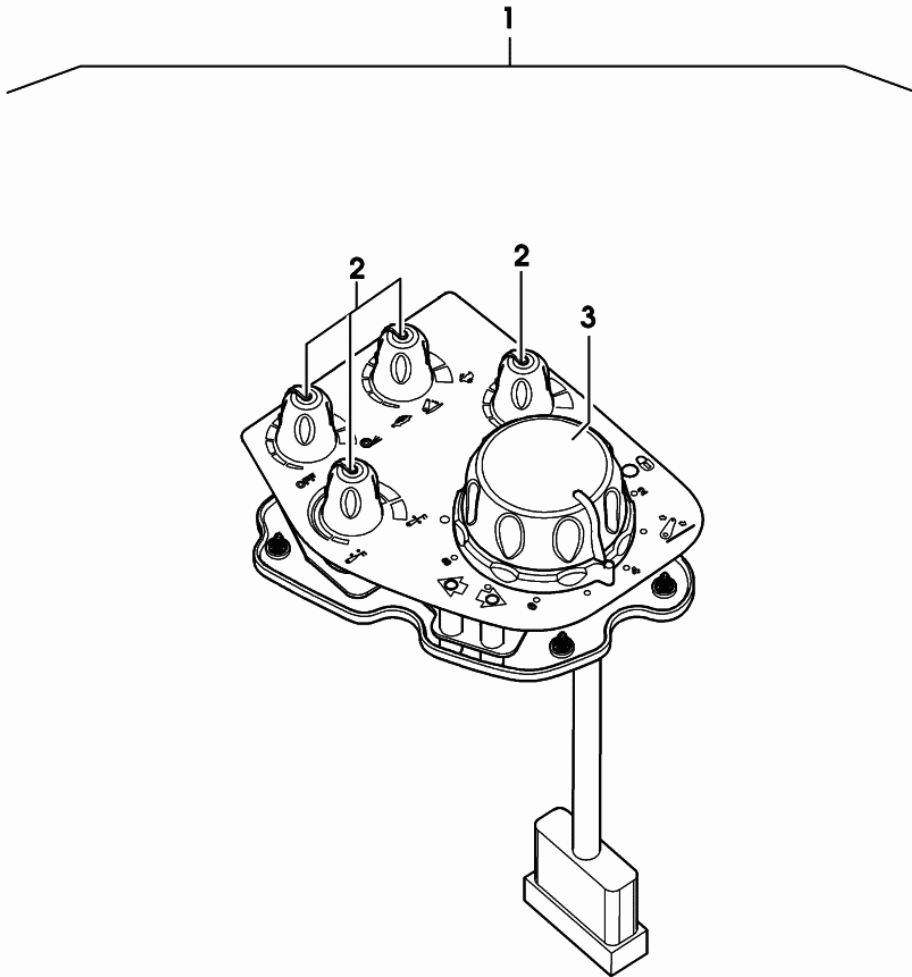
[Agrotron K 100 -> 8156 1001]

1	0.012.6111.4	1	small cover
---	--------------	---	-------------



CONTROL CONSOLE

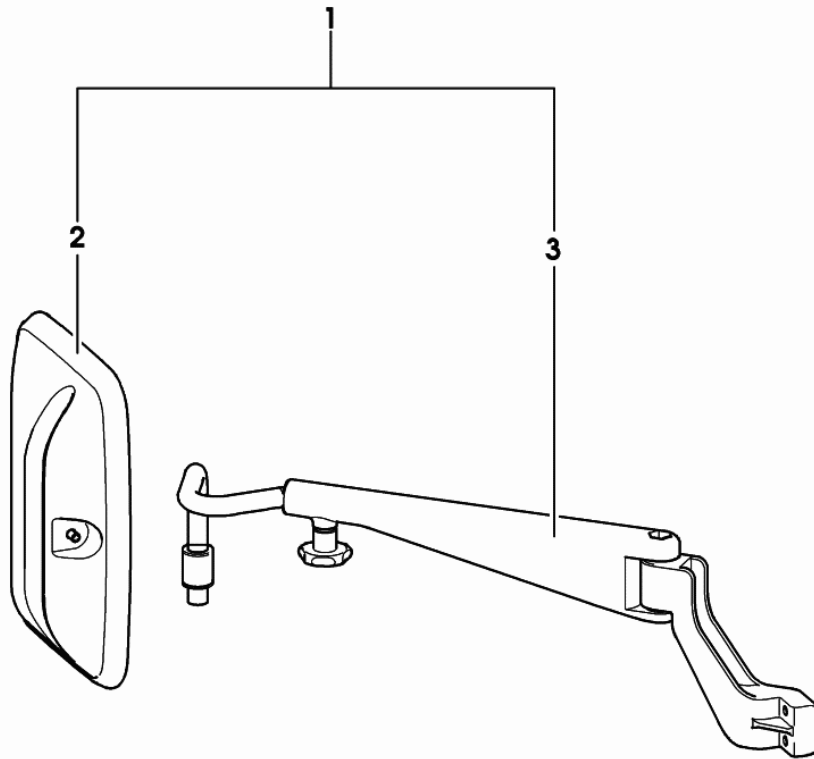
Fig.	Code	QTY	Name
1	0.013.8345.4/40	1	controller
2	0.900.0049.8	4	knob GREEN
3	0.900.0049.9	1	knob GREEN



0_013_8345_4_20

REARVIEW MIRROR dx/rh/re

Fig.	Code	QTY	Name
1	0.014.1964.4	1	rear view mirror dx/rh/re
2	0.010.3564.0	1	rear view mirror
3	0.900.0299.3	1	rod dx/rh/re



0_014_1964_4

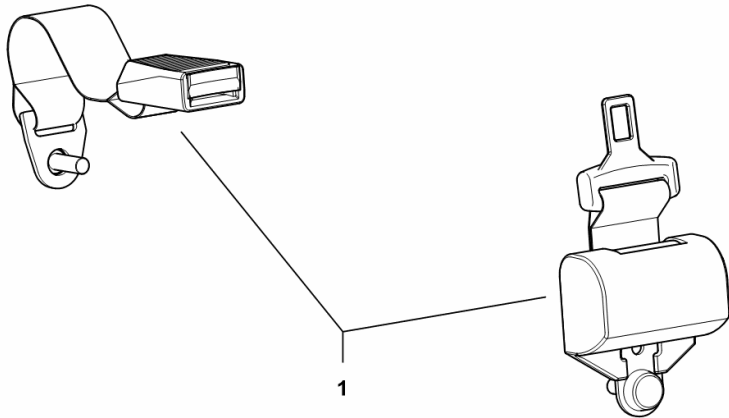
SAFETY BELT

Fig.	Code	QTY	Name
------	------	-----	------

Notes:

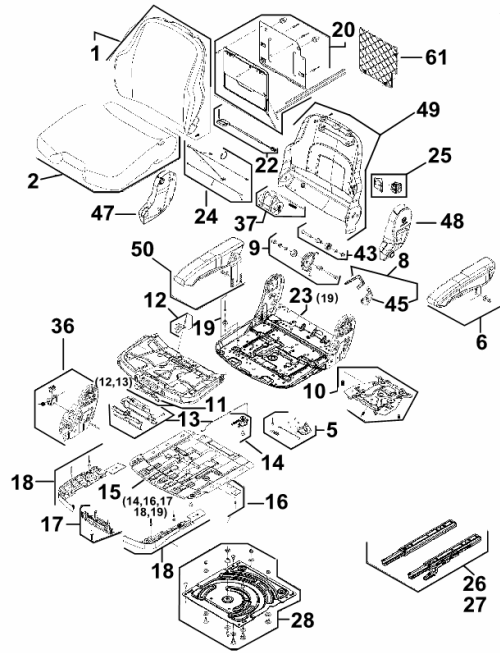
- FOR THE SECOND DRIVER'S SEAT [Agrotron K 100 -> 8156 1001]

1	0.014.5935.4	1	safety belt
---	--------------	---	-------------



K9_B1575_05_0-A-001

SEAT-COMPONENTS



0.014.4949.4_10_A

Fig.	Code	QTY	Name
1	0.900.0297.4	1	backrest
2	0.900.0297.5	1	cushion
5	0.010.3074.0	1	handle
6	0.900.0298.6	1	small arm sx/lh/li
8	0.900.0298.2	1	lever
9	0.900.1533.1	1	bearing
10	0.900.1533.2	1	plate
11	0.900.1533.3	1	small plate
12	0.010.3070.0	1	lamination
13	0.900.1533.3	1	small plate
14	0.010.3071.2	1	lever
15	0.900.1533.4	1	plate
16	0.900.1533.5	1	lamination
17	0.010.3069.1	1	consolle
18	0.010.3069.0	1	hood
19	0.900.1533.6	1	small plate
20	0.900.1533.7	1	plate
22	0.900.1533.8	1	magneto
23	0.010.3905.1	1	plate
24	0.900.1533.9	1	
25	0.900.1534.0	1	body
26	0.900.0371.4	1	seat guide
27	0.900.1534.1	1	sub-assy parts
28	0.900.1534.2	1	plate
36	0.900.0298.1	1	accessories
37	0.900.1534.3	1	gear compressor
43	0.900.1534.4	1	bearing
45	0.900.0298.3	1	lever
47	0.900.0298.4	1	cover dx/rh/re
48	0.900.0297.7	1	cover sx/lh/li
49	0.900.1534.5	1	backrest
50	0.900.0298.7	1	small arm dx/rh/re
61	0.900.1420.2	1	net mesh

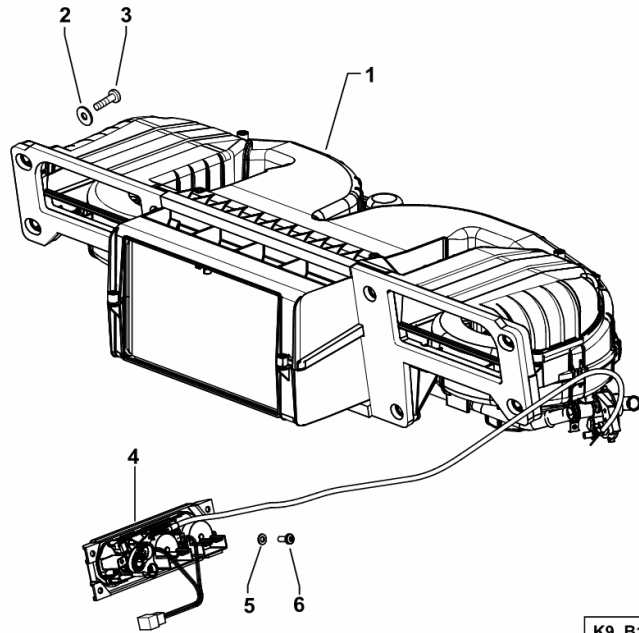
HEATING

Fig.	Code	QTY	Name
------	------	-----	------

Notes:

[Agrotron K 100 -> 8156 1001] 1159 <-

1	0.013.2170.4	1	cab heating ☞ 0.013.2170.4
2	2.1312.004.2	8	washer 8.4
3	2.0330.509.2	8	screw m 8 x 30
4	0.013.8833.4	1	control grp. ☞ 0.013.8833.4
5	2.1310.002.2	4	washer 6.6, d125
6	2.0330.406.2	4	screw m 6 p.1.0 x 16



K9_B1686_10_0-A-001

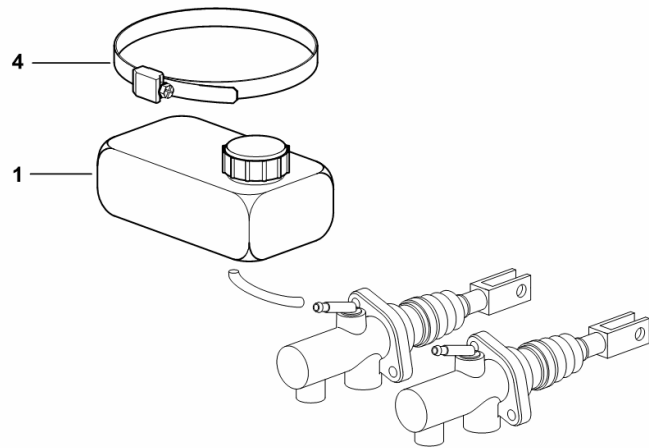
BRAKE AND CLUTCH FLUID RESERVOIR

Fig.	Code	QTY	Name
------	------	-----	------

Notes:

- FOR TYPES WITH FIXED CAB [Agrotron K 100 -> 8156 1001] -> 2849

1	04432281	1	tank ☞ 04432281
4	2.6851.011.0	1	clamp Ø 100/120



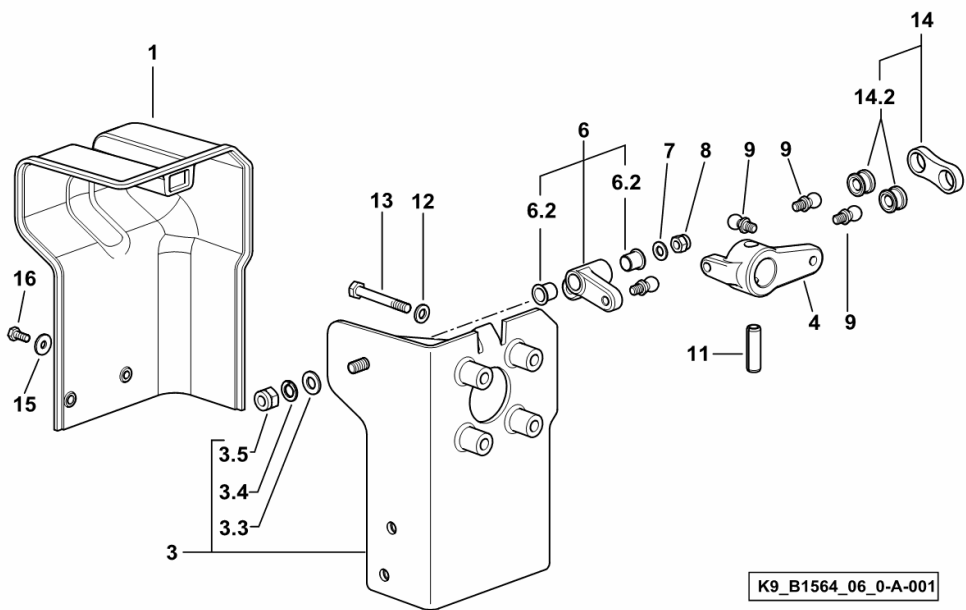
K9_B1666_01_0-B-001

DRIVE FOR GEAR CHANGE BOX

Fig.	Code	QTY	Name
------	------	-----	------

Notes:

[Agrotron K 100 -> 8156 1001]



1	0.014.1790.0/40	1	hood
3	0.014.1944.4	1	consolle
3.3	2.1310.006.2	1	flat washer 10.5
3.4	2.1474.010.2	1	washer 10
3.5	2.1120.006.2	1	nut m 10 p.1.5
4	0.014.1942.0/30	1	lever
6	0.014.1949.3/30	1	gear lever
6.2	2.2841.043.0	2	bushing 12 x 14 x 15
7	2.1310.004.2	1	flat washer 8.5
8	2.1120.005.2	1	nut m 8 p.1.25
9	0.014.1947.0	4	smau pin
11	2.1630.915.2	1	roll pin 12x40
12	2.1475.202.2	4	spring washer 8.4 x 16
13	2.0112.221.2	4	screw m 8 p.1.25 x 60
14	0.014.1951.3/10	1	small lever
14.2	0.255.6454.0	2	pin seat
15	2.1312.003.2	2	washer 6
16	2.0112.004.2	2	screw m 6 p.1 x 14

K9_B1564_06_0-A-001

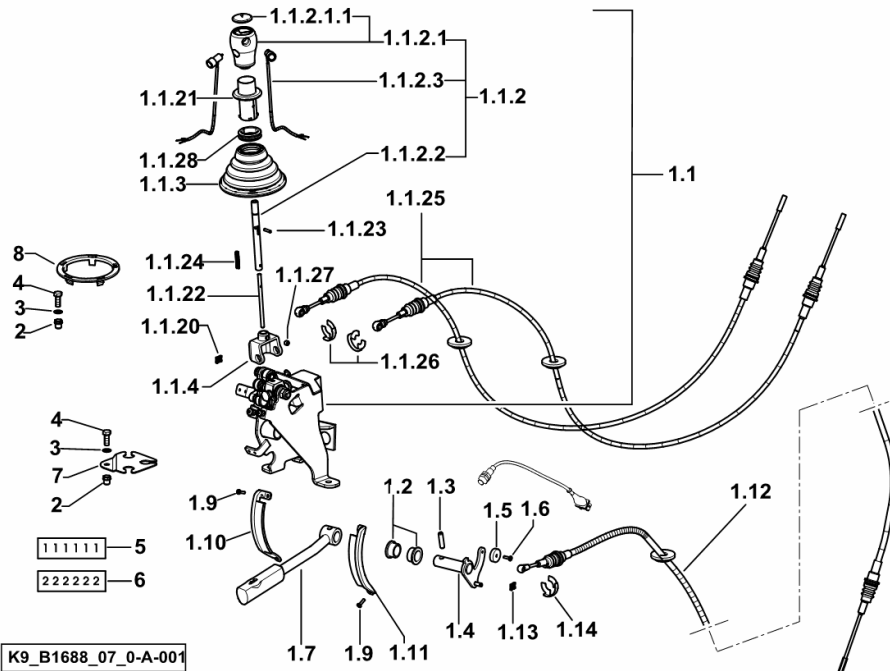
LEVER FOR 4-WAY CONTROL VALVE WITH CREEPER

Fig.	Code	QTY	Name
------	------	-----	------

Notes:

- FOR TYPES WITH FRONT LOADER [Agrottron K 100 -> 8156 1001]

1.1	0.014.3758.4	1	controller ☞ 0.014.3758.4 ☞ 0.014.3758.4
1.1.2	0.014.3868.3	1	lever
1.1.2.1	0.014.3867.3	1	knob
1.1.2.1.1	0.014.3772.0	1	cap
1.1.2.2	0.014.3866.0	1	rod
1.1.2.3	2.7659.265.0	2	push-button
1.1.3	0.014.3811.0	1	bellows
1.1.4	0.014.3878.2	1	fork
1.1.20	01175725	1	small spring 6, d128
1.1.21	0.014.3808.0	1	grip
1.1.22	0.014.3869.0	1	oil dipstick
1.1.23	2.0599.124.2	1	grain m 4 x 16
1.1.24	04426194	1	spring
1.1.25	0.014.4683.3	2	rod
1.1.26	04418159	2	circlip
1.1.27	2.0532.202.7	1	grain
1.1.28	0.014.3810.0	1	ring
1.2	04413063	2	bushing
1.3	2.1630.713.2	1	pin 8x32
1.4	0.013.0579.3/10	1	operation
1.5	04365126	1	magneto
1.6	2.0332.205.2	1	screw m 4x0.7x14
1.7	0.013.0589.4/10	1	lever
1.9	2.0362.005.2	4	screw m4x15
1.10	0.013.9016.2	1	brush
1.11	0.013.9019.2	1	brush
1.12	0.014.4692.3	1	rod
1.13	01175725	1	small spring 6, d128
1.14	04418159	1	circlip
2	0.012.9034.0	4	insert m 8
3	2.1470.004.2	4	washer 8
4	2.0112.208.2	4	screw m 8 p.1.25 x 22
5	2.9929.408.0	1	plate 1
6	2.9929.409.0	1	plate 2
7	0.013.3401.0	1	bracket
8	0.013.4911.0	1	ring



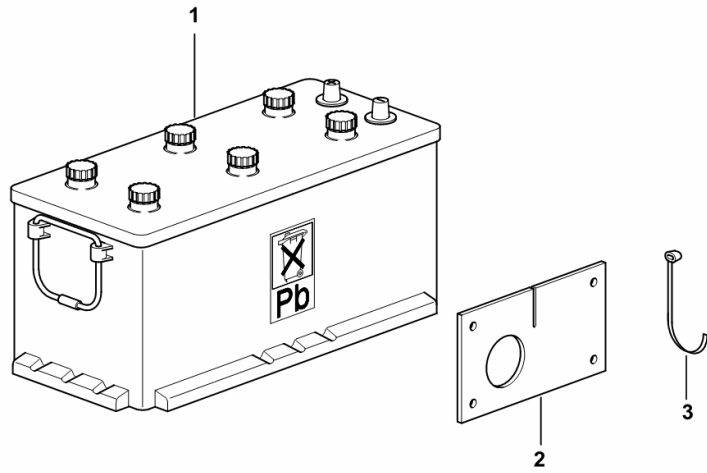
BATTERY 12V 143Ah

Fig.	Code	QTY	Name
------	------	-----	------

Notes:

[Agrotron K 100 -> 8156 1001] 2259 <-

1	01178117	1	battery 12V 143Ah
2	04437841	1	plate
3	01173143	2	clamp 4,6x280



K9_B1684_11_0-A-001

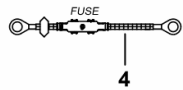
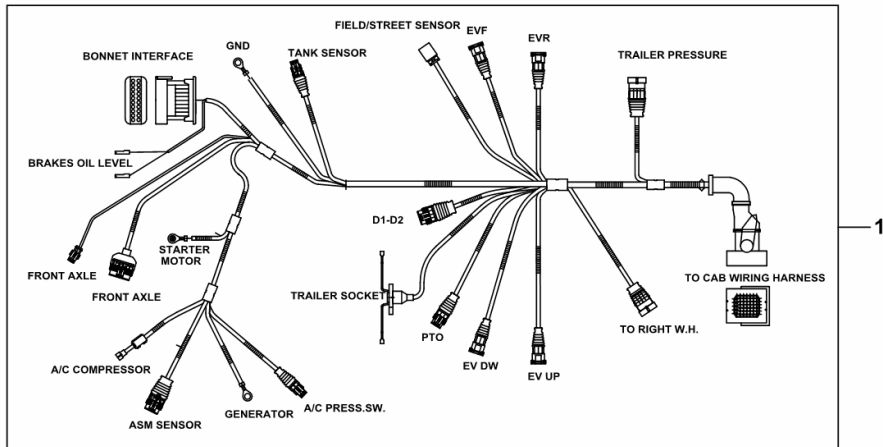
ELECTRICAL EQUIPMENT ENGINE

Fig.	Code	QTY	Name
------	------	-----	------

Notes:

[Agrotron K 100 -> 8156 1001] 1837 <-

1	0.013.9308.4/40	1	electrical system (1430 <-)
1	0.013.9308.4/90	1	electrical system (-> 1431)
2	04415863	1	tube
3	01174042	1	cap
4	0.014.3658.4/20	1	electrical system
7	04357219	1	spacer 13x18.5
8	04365989	1	tube



K9_B1585_00_0-A-001

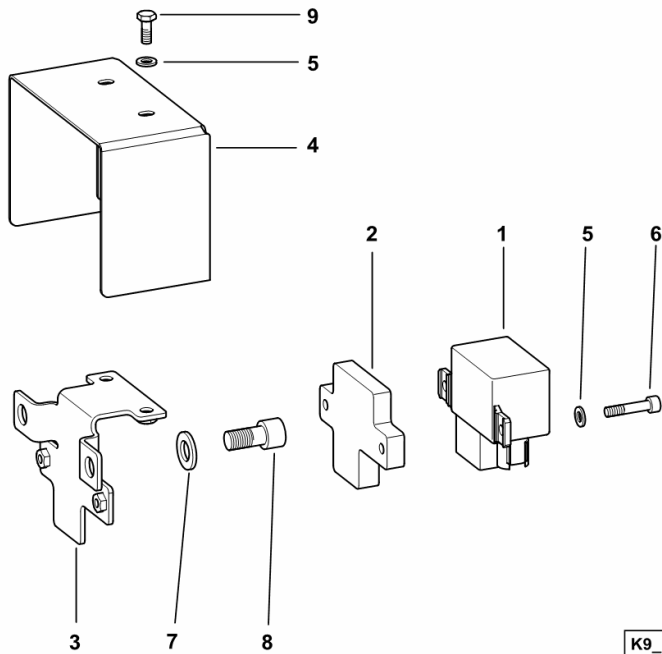
PRE-HEATING RELAY

Fig.	Code	QTY	Name
------	------	-----	------

Notes:

[Agrottron K 100 -> 8156 1001]

1	2.7659.240.0/10	1	relay 12 V 130A
2	0.013.3699.0/20	1	rubber plug
3	0.014.2518.3	1	support
4	0.014.3083.0	1	hood
5	2.1310.002.2	4	washer 6.6, d125
6	2.0312.110.2	2	screw m 6 p.1x30
7	2.1310.007.2	2	flat washer 13.5
8	2.0312.408.2	2	screw m 12 p.1.75 x 25
9	2.0114.005.2	2	screw m 6 p.1.0 x 16



K9_B1619_01_0-A-001

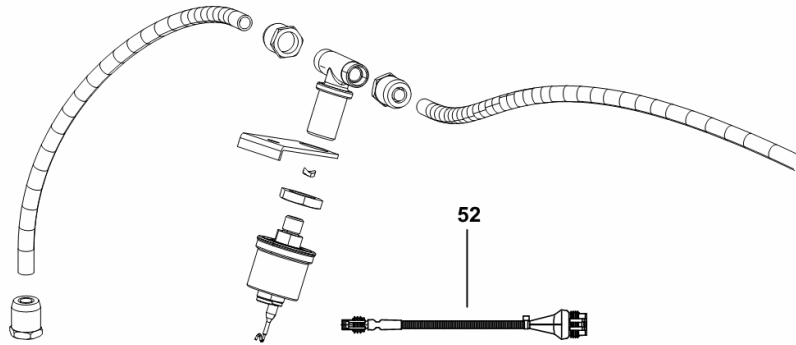
PRESSURE SWITCH WIRING FOR AIR BRAKING SYSTEM

Fig.	Code	QTY	Name
------	------	-----	------

Notes:

- ITALY [Agrotron K 100 -> 8156 1001]

52	04437355.4/10	1	wire
----	---------------	---	------



K9_B1589_16_0-G-001

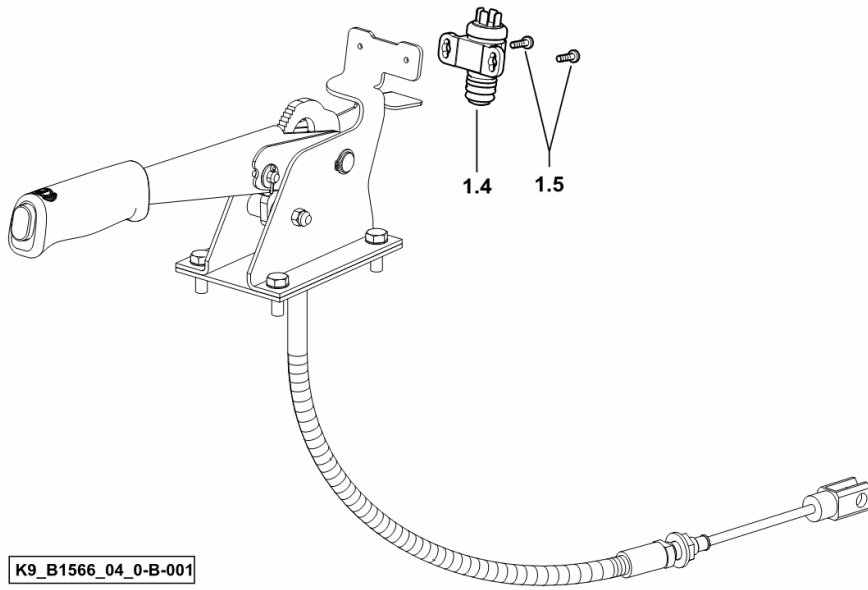
HAND BRAKE SWITCHES

Fig.	Code	QTY	Name
------	------	-----	------

Notes:

[Agrotron K 100 -> 8156 1001]

1.4	04391395	1	switch
1.5	2.0362.005.2	2	screw m4x15



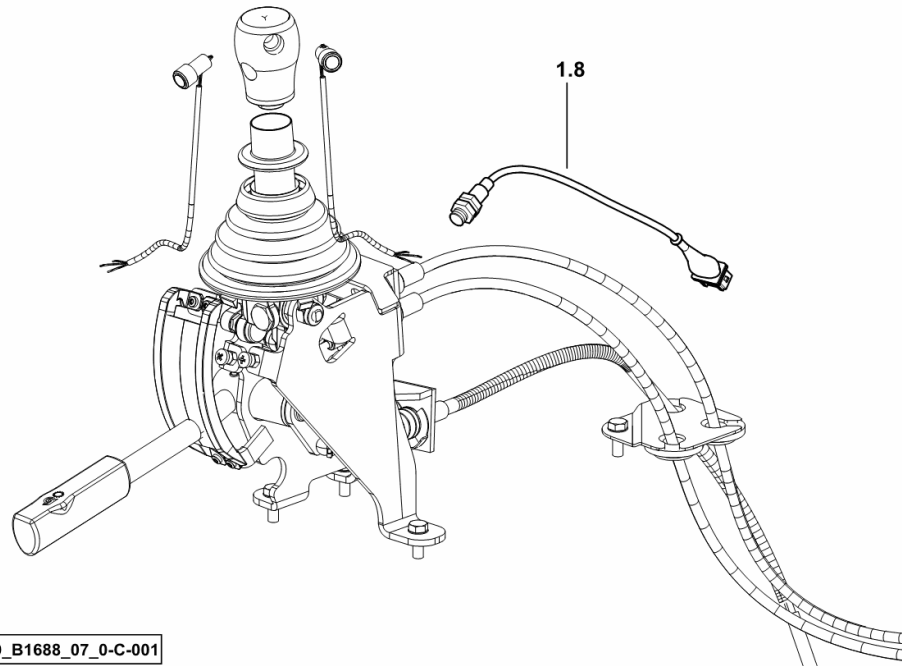
POSITION SENSOR FOR 4-WAY REMOTE VALVE WITH CREEPER

Fig.	Code	QTY	Name
------	------	-----	------

Notes:

- FOR TYPES WITH FRONT LOADER [Agrotron K 100 -> 8156 1001]

1.8	04436527	1	position sensor
-----	----------	---	-----------------



K9_B1688_07_0-C-001

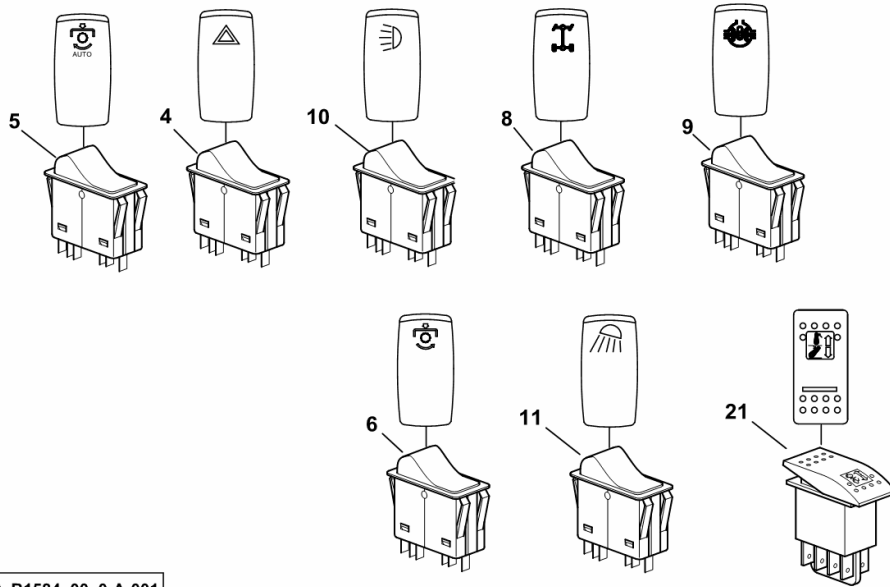
SWITCHES

Fig.	Code	QTY	Name
------	------	-----	------

Notes:

[Agrottron K 100 -> 8156 1001]

4	0.013.1330.4	1	switch
5	0.012.5948.4/10	1	switch P.T.O.
6	0.012.5950.4/10	1	switch P.T.O.
8	0.013.9319.4/10	1	switch 4 x 4
9	0.013.9320.4/10	1	switch
10	0.012.5940.4	1	switch
11	0.012.5943.4	1	switch
21	2.7659.160.0	1	switch



K9_B1584_00_0-A-001

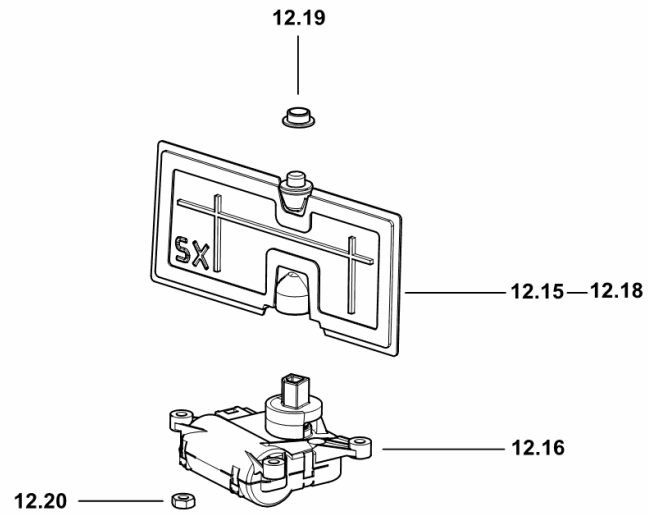
AIR RECIRCULATION MOTOR

Fig.	Code	QTY	Name
------	------	-----	------

Notes:

WITHOUT SKYLIGHT [Agrotron K 100 -> 8156 1001]

12.15	0.013.2144.2	1	cover dx/rh/re
12.16	0.013.2142.0	2	fan motor
12.18	0.013.2143.2	1	cover sx/lh/li
12.19	2.2841.015.0	2	sleeve
12.20	2.1011.101.2	6	nut m 4 p.0.7



K9_B1571_22_0-E-001

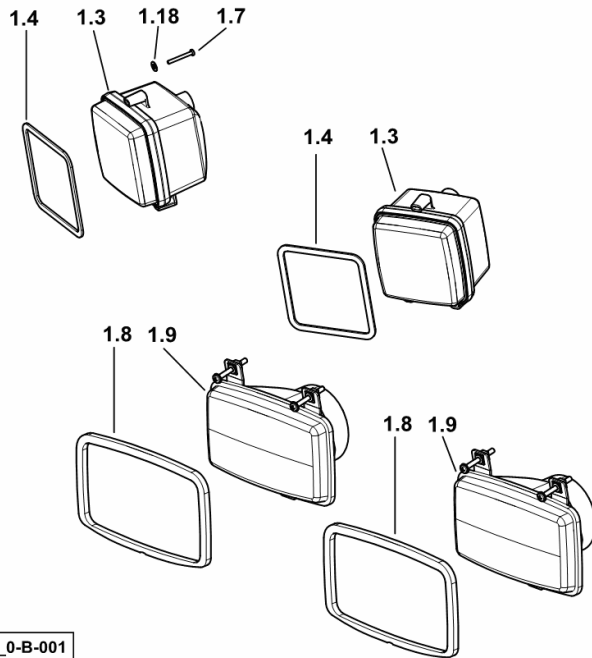
FRONT LIGHTS

Fig.	Code	QTY	Name
------	------	-----	------

Notes:

- FOR LEFT-HAND DRIVE [Agrottron K 100 -> 8156 1001]

1.3	2.8039.160.0	2	worklamp ☞ 2.8039.160.0
1.4	04436715	2	gasket
1.7	2.0332.108.2	6	screw m 3x25
1.8	0.013.0097.0	2	gasket
1.9	2.8039.250.0	2	headlight ☞ 2.8039.250.0
1.18	2.1310.028.2	15	flat washer 4



K9_B1685_05_0-B-001

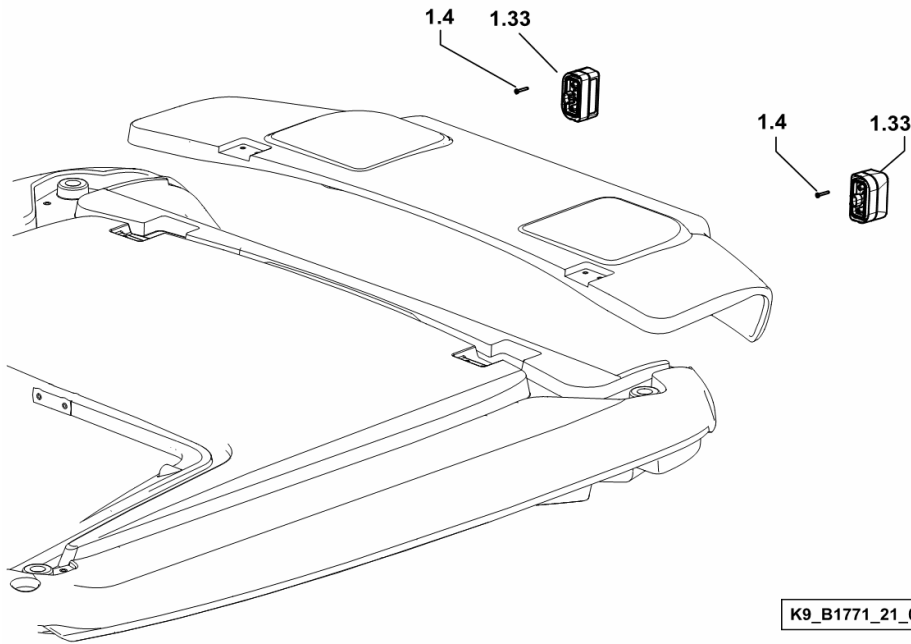
LICENCE PLATE LIGHT

Fig.	Code	QTY	Name
------	------	-----	------

Notes:

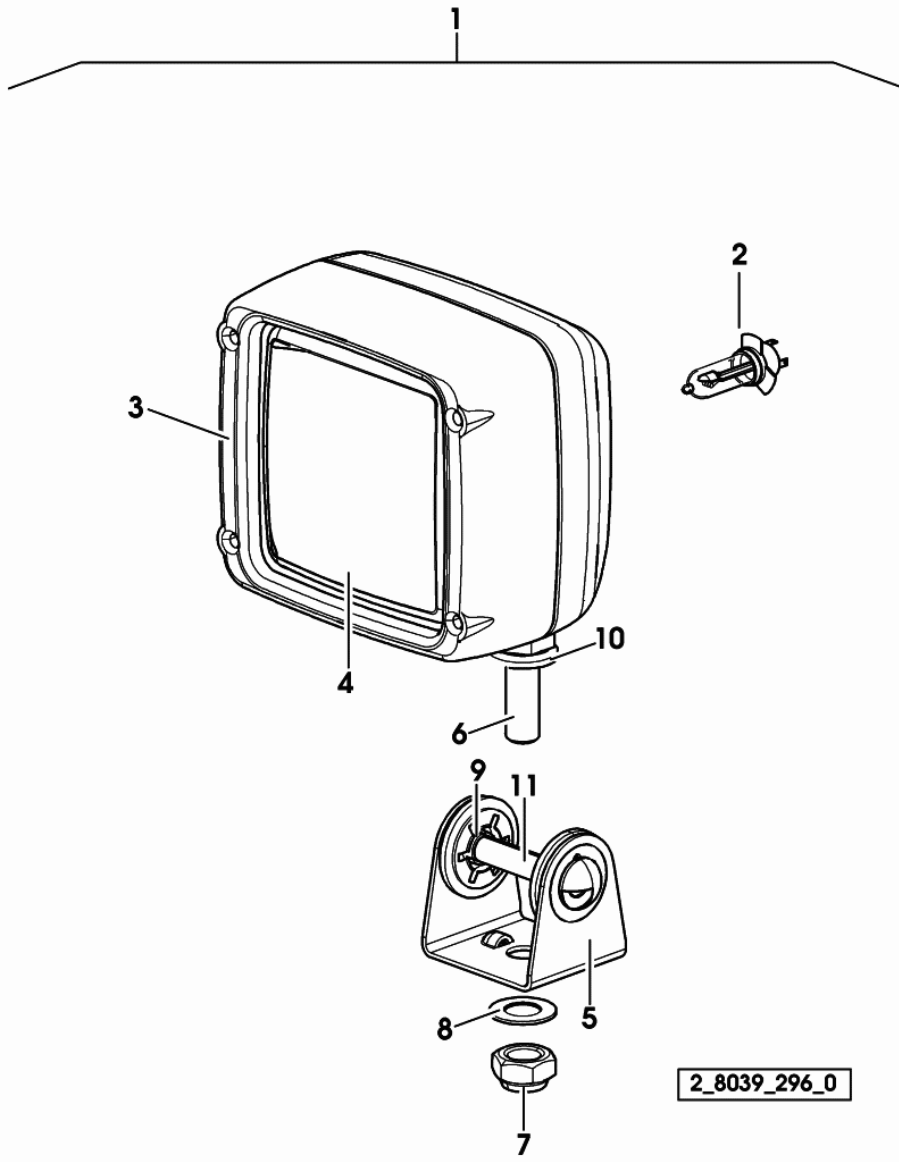
- ROOF VERSION WITH ORANGE HATCH [Agrotron K 100 -> 8156 1001]

1.4	2.0350.208.6	4	screw m 3.5 x 25
1.33	2.8059.526.0	2	side lamp
			☞ 2.8059.526.0



WORKING SPOTLIGHT

Fig.	Code	QTY	Name
1	2.8039.296.0	1	lamp
2	0.010.3917.0	1	lamp H3 12V 55W
3	0.900.0264.1	1	frame
4	0.900.0264.9	1	glass
5	0.900.0264.3	1	bracket
6	0.900.0265.0	1	pin m10x30
7	0.900.0264.5	1	nut m 10
8	0.900.0264.6	1	spring washer
9	0.900.0264.7	2	spacer
10	0.900.0264.8	1	washer 21x2
11	0.900.0265.1	1	pin m 8 x 55



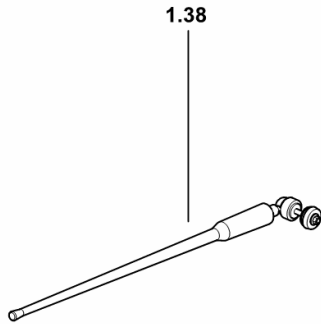
RADIO ANTENNA

Fig.	Code	QTY	Name
------	------	-----	------

Notes:

- ROOF VERSION WITH ORANGE HATCH [Agrotron K 100 -> 8156 1001]

1.38	0.011.7543.3/30	1	radio aereo
------	-----------------	---	-------------



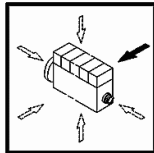
K9_B1771_21_0-C-001

Section: B0 - ENGINE
BLEEDING TUBE

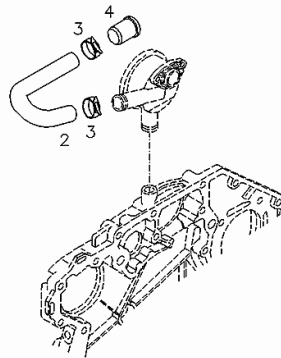
Fig.	Code	QTY	Name
------	------	-----	------

Engine Serial Numbers:

1092657	1092658	1092659	1092660	10010482	10010483	10010484	10011019	10011020	10011021	10011022
10013024	10013025	10013026	10013027	10013028	10013029	10013030	10013031	10013032	10013033	10013034
10013035	10013036	10013037	10013038	10013039	10013040	10013975	10013976	10013977	10013979	10013980
10014266	10014267	10017310	10017311	10017312	10017313	10017314	10017315	10017316	10017317	10017318
10020068	10020070	10020071	10020073	10020074	10020075	10020076	10020077	10020078	10020079	10020080
10020081	10020082	10020083	10020084	10020085	10020871	10026610	10026611	10026612	10026613	10026614
10026615	10026864	10026866	10026867	10026868	10026869	10026870	10026872	10026873	10026874	10026875
10026876	10026877	10026878	10026879	10026880	10027736	10027738	10027739	10027740	10027741	10027742
10027744	10027873	10027874	10027875	10027876	10027877	10027878	10029900	10029901	10029902	10029903
10029904	10029905	10029906	10029907	10029908	10029909	10029910	10029912	10029913	10029914	10029915
10029916	10030579	10030580	10030581	10030582	10030583	10030584	10030585	10030586	10030587	10030609
10030610	10030611	10030612	10030613	10030614	10030615	10030616	10030617	10030831	10030832	10030833
10030835	10048303	10048304	10050481	10050482	10050483	10050484	10050485	10050486	10052806	10052807
10052808	10052809	10052810	10052811	10052813	10061206	10061207	10061209	10061210	10061211	10061212
10061213	10061214	10061215	10061216	10061217	10061218	10063179	10063180	10063182	10063183	10063184
10063185	10063186	10063203	10063204	10063205	10063207	10063208	10063209	10063341	10063342	10063343
10063344	10063345	10063346	10063348	10063349	10063350	10070533	10070534	10070535	10070536	10070538
10070539	10070540	10070542	10070544	10070545	10072951	10072952	10072953	10072954	10072955	10072957
10072959	10072960	10073148	10073149	10073150	10073151	10073152	10073153	10073154	10074213	10074214
10074506	10074507	10074509	10074510	10074511	10074512	10074513	10077411	10077412	10077893	10077894
10077895	10077897	10077901	10077903	10077905	10078591	10078592	10078593	10078594	10078595	10079263
10079264	10079266	10079267	10079268	10080195	10082670	10082671	10082672	10082673	10082674	10082675
10082676	10083874	10085437	10085438	10085440	10085441	10085442	10085443	10085444	10085445	10085447
10085452	10085453	10085454	10085455	10085457	10085458	10085459	10085460	10085466	10085468	10085469
10085470	10085471	10085472	10085473	10085474	10085475	10085476	10085477	10085478	10088946	10088947
10088948	10088949	10088950	10088951	10088952	10088954	10088956	10090396	10090397	10090398	10090401
10090402	10090403	10091030	10091031	10091032	10093735	10093737	10093859	10093860	10093861	10093862
10093864	10094088	10094089	10094090	10094091	10094092	10094093	10094094	10097207	10097208	10097210
10097211	10097212	10097213	10097214	10106097	10106098	10106099	10106100	10106101	10106102	10106617
10106619	10106620	10106621	10106622	10106623	10106624	10106625	10108012	10108013	10108014	10108015
10109291	10109292	10109293	10109295	10109296	10109297	10109298	10109299	10109389	10109392	10111046
10111047	10111048	10111049	10111051	10111499	10111500	10111501	10111502	10111503	10111504	10111505
10111506	10112477	10112478	10112479	10112480	10112804	10112805	10112806	10118610	10118611	10118612
10120277	10120279	10120281	10120695	10120696	10120697	10120699	10121072	10121073	10125124	10125126
10125129	10125130	10125155	10126183	10126186	10126187	10126190	10126191	10126192	10126193	10128992
10128993	10128995	10128996	10128997	10128998	10128999	10129000	10129001	10129002	10129003	10129004
10129005	10129006	10129008	10129420	10129421	10129422	10130423	10130424	10130425	10130426	10130428
10133283	10133285	10133286	10133288	10133289	10133290	10134019	10134020	10134021	10134022	10134023
10134024	10134025	10134027	10134029	10134030	10135546	10135547	10135548	10136000	10136003	10137420
10137421	10137422	10137423	10137424	10137425	10137426	10137427	10137428	10137430	10137431	10137432
10137433	10137444	10137445	10137446	10137447	10137448	10137449	10139797	10139798	10139800	10139802
10139804	10139806	10139808	10139836	10139837	10139838	10139839	10139840	10139841	10139842	10139843
10139844	10139845	10139846	10139847	10139848	10139849	10140889	10140891	10140892	10140893	10140895
10140896	10140897	10140898	10140899	10141788	10141789	10141790	10141791	10142274	10143225	10143228
10143229	10143695	10143696	10143697	10144531	10144532	10144908	10144909	10144910	10144911	10144913
10144917	10144918									



000 ©

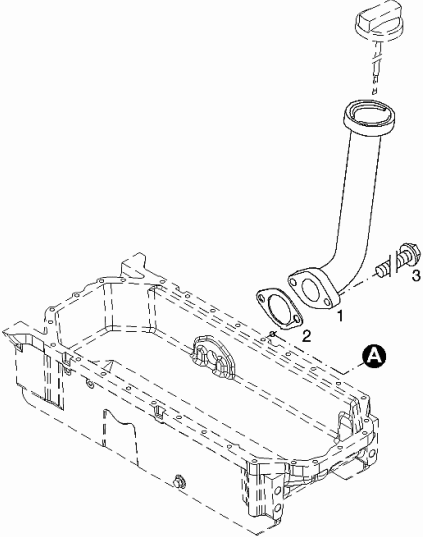
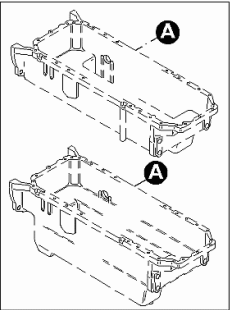
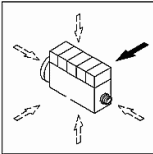


0507 8881

Section: B0 - ENGINE
OIL FILLER NECK

Fig.	Code	QTY	Name
10158867	10158868	10158869	10159389
10159398	10160537	10160538	10160540
10165704	10166323	10166328	10166329
10169329	10169330	10169331	10169332
10174791	10174792	10174793	10174794
10174859	10174861	10174862	10174863
10175143	10175144	10175146	10175147
10176838	10176840	10176841	10176842
10185150	10185151	10185152	10185153
10185163	10185164	10185166	10185167
10191666	10191667	10191670	10191671
10192456	10192457	10192458	10192459
10193453	10193454	10193455	10193456
10194680	10194681	10194683	10194684
10194693	10194694	10194695	10194696
10201948	10201950	10201952	10201953
10210259	10210260	10210261	10210262
10210270	10210271	10210273	10210277
10213238	10213239	10213240	10213241
10213254	10213255	10213256	10213257
10213265	10213266	10213268	10213269
10215547	10215549	10215550	10215551
10215561	10215562	10215564	10215566
10215577	10215579	10215580	10215581
10215590	10215591	10215592	10215593
10218771	10218772	10218773	10218774
10218782	10218783	10218784	10218785
10218801	10218802	10218804	10218805
10218819	10218820	10218821	10218822
10223035	10223038	10223039	10223040
10223049	10223050	10223051	10223054
10224023	10224024	10224026	10224027
10225298	10225299	10225300	10225301
10225309	10225310	10225311	10225312
10225320	10225321	10225322	10225323
10231894	10231895	10231897	10231898
10232552	10232553	10232554	10232555
10232563	10232564	10232565	10232566
10232574	10232575	10232577	10232578
10236361	10236362	10236363	10236364
10237388	10237389	10237391	10237392
10238301	10238302	10238304	10238305
10238549	10238550	10238551	10239706
10243768	10243771	10243774	10243775
10243783	10243784	10243785	10243786
10243795	10243806	10243807	10243808
10243823	10243824	10243826	10243827
10243839	10243840	10243841	10243842
10243855	10243857	10243858	10243859

001 ©



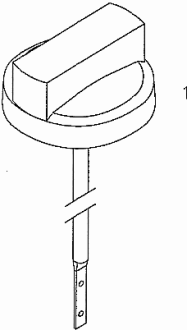
Section: B0 - ENGINE
FILLER CAP

Fig.	Code	QTY	Name
------	------	-----	------

Engine Serial Numbers:

- 1092657 1092658 1092659 1092660 10010482 10010483 10010484 10011019 10011020 10011021 10011022
- 10013024 10013025 10013026 10013027 10013028 10013029 10013030 10013031 10013032 10013033 10013034
- 10013035 10013036 10013037 10013038 10013039 10013040 10013975 10013976 10013977 10013979 10013980
- 10014266 10014267 10017310 10017311 10017312 10017313 10017314 10017315 10017316 10017317 10017318
- 10020068 10020070 10020071 10020073 10020074 10020075 10020076 10020077 10020078 10020079 10020080
- 10020081 10020082 10020083 10020084 10020085 10020871 10026610 10026611 10026612 10026613 10026614
- 10026615 10026864 10026866 10026867 10026868 10026869 10026870 10026872 10026873 10026874 10026875
- 10026876 10026877 10026878 10026879 10026880 10027736 10027738 10027739 10027740 10027741 10027742
- 10027744 10027873 10027874 10027875 10027876 10027877 10027878 10029900 10029901 10029902 10029903
- 10029904 10029905 10029906 10029907 10029908 10029909 10029910 10029912 10029913 10029914 10029915
- 10029916 10030579 10030580 10030581 10030582 10030583 10030584 10030585 10030586 10030587 10030609
- 10030610 10030611 10030612 10030613 10030614 10030615 10030616 10030617 10030831 10030832 10030833
- 10030835 10048303 10048304 10050481 10050482 10050483 10050484 10050485 10050486 10052806 10052807
- 10052808 10052809 10052810 10052811 10052813 10061206 10061207 10061209 10061210 10061211 10061212
- 10061213 10061214 10061215 10061216 10061217 10061218 10063179 10063180 10063182 10063183 10063184
- 10063185 10063186 10063203 10063204 10063205 10063207 10063208 10063209 10063341 10063342 10063343
- 10063344 10063345 10063346 10063348 10063349 10063350 10070533 10070534 10070535 10070536 10070538
- 10070539 10070540 10070542 10070544 10070545 10072951 10072952 10072953 10072954 10072955 10072957
- 10072959 10072960 10073148 10073149 10073150 10073151 10073152 10073153 10073154 10074213 10074214
- 10074506 10074507 10074509 10074510 10074511 10074512 10074513 10077411 10077412 10077893 10077894
- 10077895 10077897 10077901 10077903 10077905 10078591 10078592 10078593 10078594 10078595 10079263
- 10079264 10079266 10079267 10079268 10080195 10082670 10082671 10082672 10082673 10082674 10082675
- 10082676 10083874 10085437 10085438 10085440 10085441 10085442 10085443 10085444 10085445 10085447
- 10085452 10085453 10085454 10085455 10085457 10085458 10085459 10085460 10085466 10085468 10085469
- 10085470 10085471 10085472 10085473 10085474 10085475 10085476 10085477 10085478 10088946 10088947
- 10088948 10088949 10088950 10088951 10088952 10088953 10088954 10088955 10090395 10090396 10090398 10090401
- 10090402 10090403 10091030 10091031 10091032 10093735 10093737 10093859 10093860 10093861 10093862
- 10093864 10094088 10094089 10094090 10094091 10094092 10094093 10094094 10097207 10097208 10097210
- 10097211 10097212 10097213 10097214 10106097 10106098 10106099 10106100 10106101 10106102 10106617
- 10106619 10106620 10106621 10106622 10106623 10106624 10106625 10108012 10108013 10108014 10108015
- 10109291 10109292 10109293 10109295 10109296 10109297 10109298 10109299 10109389 10109392 10111046
- 10111047 10111048 10111049 10111051 10111499 10111500 10111501 10111502 10111503 10111504 10111505
- 10111506 10112477 10112478 10112479 10112480 10112804 10112805 10112806 10118610 10118611 10118612
- 10120277 10120279 10120281 10120695 10120696 10120697 10120699 10121072 10121073 10125124 10125126
- 10125129 10125130 10125155 10126183 10126186 10126187 10126190 10126191 10126192 10126193 10128992
- 10128993 10128995 10128996 10128997 10128998 10128999 10129000 10129001 10129002 10129003 10129004
- 10129005 10129006 10129008 10129420 10129421 10129422 10130423 10130424 10130425 10130426 10130428
- 10133283 10133285 10133286 10133288 10133289 10133290 10134019 10134020 10134021 10134022 10134023
- 10134024 10134025 10134027 10134029 10134030 10135546 10135547 10135548 10136000 10136003 10137420
- 10137421 10137422 10137423 10137424 10137425 10137426 10137427 10137428 10137430 10137431 10137432
- 10137433 10137444 10137445 10137446 10137447 10137448 10137449 10139797 10139798 10139800 10139802
- 10139804 10139806 10139808 10139836 10139837 10139838 10139839 10139840 10139841 10139842 10139843
- 10139844 10139845 10139846 10139847 10139848 10139849 10140889 10140891 10140892 10140893 10140895
- 10140896 10140897 10140898 10140899 10141788 10141789 10141790 10141791 10142274 10143225 10143228
- 10143229 10143695 10143696 10143697 10144531 10144532 10144908 10144909 10144910 10144911 10144913
- 10144917 10144918 10150463 10150464 10150465 10150466 10150468 10150469 10150470 10154224 10154225
- 10154226 10155081 10155082 10155083 10155084 10155085 10158319 10158320 10158322 10158323 10158324
- 10158855 10158856 10158858 10158859 10158860 10158861 10158862 10158863 10158864 10158865 10158866

000



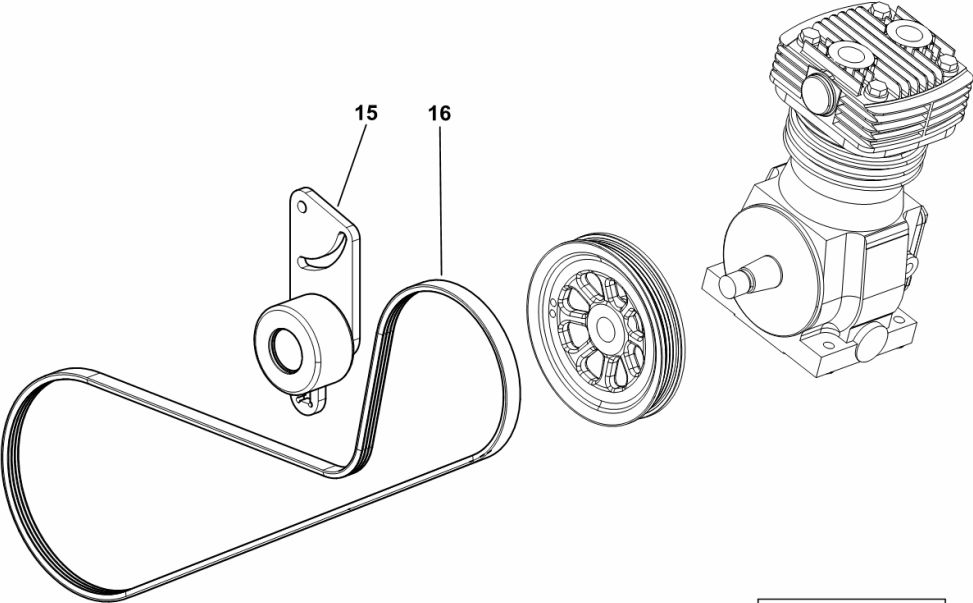
COMPRESSOR BELT AND BELT TENSIONER

Fig.	Code	QTY	Name
------	------	-----	------

Notes:

[Agrotron K 100 -> 8156 1001]

15	04454643.4	1	tensioner
16	04454180	1	belt PV-K 14.2x1410 mm



K9_B1589_15_0-B-001

Section: B0 - ENGINE
CRANKSHAFT

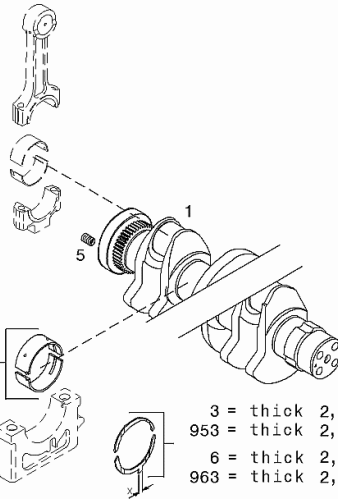
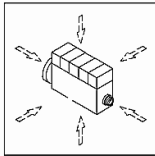
Fig.	Code	QTY	Name
------	------	-----	------

Engine Serial Numbers:

1092657 1092658 1092659 1092660 10010482 10010483 10010484 10011019 10011020 10011021 10011022
 10013024 10013025 10013026 10013027 10013028 10013029 10013030 10013031 10013032 10013033 10013034
 10013035 10013036 10013037 10013038 10013039 10013040 10013975 10013976 10013977 10013979 10013980
 10014266 10014267 10017310 10017311 10017312 10017313 10017314 10017315 10017316 10017317 10017318
 10020068 10020070 10020071 10020073 10020074 10020075 10020076 10020077 10020078 10020079 10020080
 10020081 10020082 10020083 10020084 10020085 10020871 10026610 10026611 10026612 10026613 10026614
 10026615 10026864 10026866 10026867 10026868 10026869 10026870 10026872 10026873 10026874 10026875
 10026876 10026877 10026878 10026879 10026880 10027736 10027738 10027739 10027740 10027741 10027742
 10027744 10027873 10027874 10027875 10027876 10027877 10027878 10029900 10029901 10029902 10029903
 10029904 10029905 10029906 10029907 10029908 10029909 10029910 10029912 10029913 10029914 10029915
 10029916 10030579 10030580 10030581 10030582 10030583 10030584 10030585 10030586 10030587 10030609
 10030610 10030611 10030612 10030613 10030614 10030615 10030616 10030617 10030831 10030832 10030833
 10030835 10048303 10048304 10050481 10050482 10050483 10050484 10050485 10050486 10052806 10052807
 10052808 10052809 10052810 10052811 10052813 10061206 10061207 10061209 10061210 10061211 10061212
 10061213 10061214 10061215 10061216 10061217 10061218 10063179 10063180 10063182 10063183 10063184
 10063185 10063186 10063203 10063204 10063205 10063207 10063208 10063209 10063341 10063342 10063343
 10063344 10063345 10063346 10063348 10063349 10063350 10070533 10070534 10070535 10070536 10070538
 10070539 10070540 10070542 10070544 10070545 10072951 10072952 10072953 10072954 10072955 10072957
 10072959 10072960 10073148 10073149 10073150 10073151 10073152 10073153 10073154 10074213 10074214
 10074506 10074507 10074509 10074510 10074511 10074512 10074513 10077411 10077412 10077893 10077894
 10077895 10077897 10077901 10077903 10077905 10078591 10078592 10078593 10078594 10078595 10079263
 10079264 10079266 10079267 10079268

003 ©

1	04289041	1	crank shaft
2	02931062	5	main bearing STANDARD STANDARD (A) MM RD, UNDERSIZE SEE POS. (B) A = 84,00 B = 952
3	02931331	2	snoulder STANDARD STANDARD (A) MM, OVERSIZE SEE POS. (B) POS. (B) A = 2.00 B = 953
5	01172066	1	insert H 2358 -AM10X1X20
6	02931063	2	snoulder STANDARD STANDARD (A) MM, OVERSIZE SEE POS. (B) POS. (B) A = 2.00 B = 963
952	02931071	1	main bearing - mm 0.25 1° MINORAZIONE 1ST UNDERSIZE 1A MEDIDA DE DESGASTE 1ERE COTE EN SOUS-DIMENSION 83,75 MM RD
953	02931332	1	snoulder 1st OVERSIZE 2.20 MM
963	02931074	1	snoulder 1° MAGGIORANZIONE 1ST OVERSIZE 1A SOBREMEDIDA 1ERE COTE EN SURDIMENSION 2.20 MM

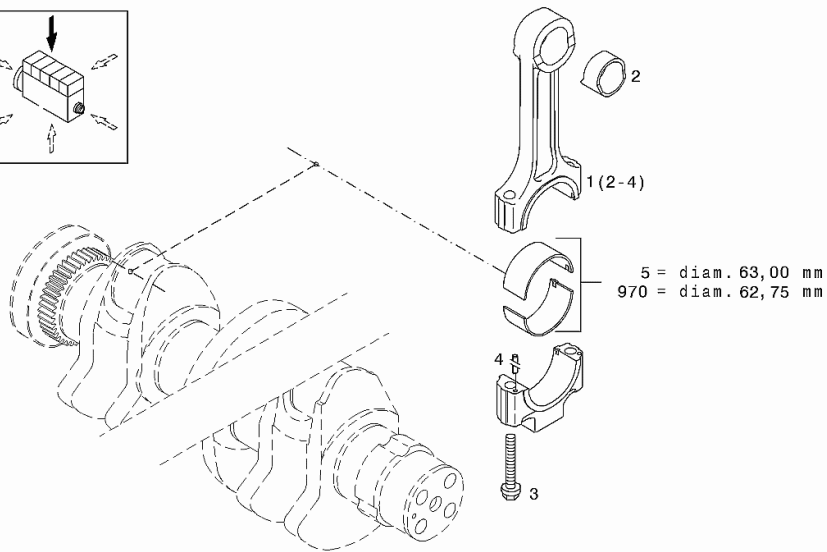
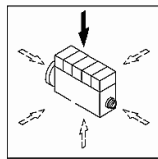


2 = diam. 84,00 mm
 952 = diam. 83,75 mm

3 = thick 2,00 mm X = 14,00 mm
 953 = thick 2,20 mm X = 14,00 mm
 6 = thick 2,00 mm X = 10,00 mm
 963 = thick 2,20 mm X = 10,00 mm

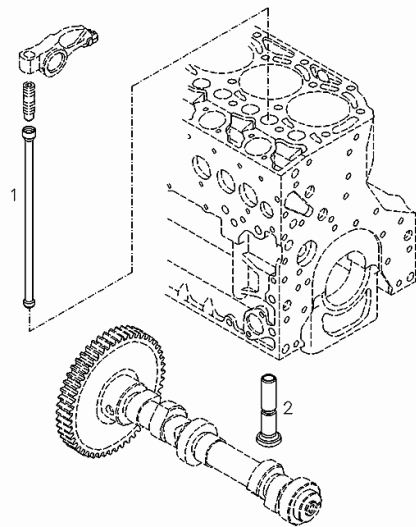
Section: B0 - ENGINE
CONNECTING ROD

Fig.	Code	QTY	Name
10606640 10606642 10606643 10606646 10606647 10606648 10606649 10607132 10607133 10607134 10607135 10607136 10607137 10613103 10613105 10628200 10628201 10628204 10628206 10628207 10628212 10628213 10628214 10628216 10661640 10661641 10661642 10661643			
1	04294630	1	stem WITH POS.... (2-4)
2	04250012	1	sleeve
3	04195618	2	screw
4	01144447	2	pin
001 5	02931406	1	ISO 8752 -5X10-ST conrod.bearing STANDARD NORMAL (A) MM RD, UNDERSIZE SEE POS. (B) A = 63.00 B = Pos.970
970	02931409	1	conrod.bearing - mm 0.25 1st UNDERSIZE 62.75



VALVE DRIVE

Fig.	Code	QTY	Name
10158867	10158868 10158869 10159389 10159390 10159391 10159392 10159393 10159395 10159396 10159397		
10159398	10160537 10160538 10160540 10160541 10162145 10162146 10162148 10163665 10163667 10165701		
10165704	10166323 10166328 10166329 10166333 10166334 10166335 10167441 10167442 10168042 10169328		
10169329	10169330 10169331 10169332 10169333 10169335 10172739 10174787 10174788 10174789 10174790		
10174791	10174792 10174793 10174794 10174795 10174852 10174853 10174854 10174855 10174856 10174857		
10174859	10174861 10174862 10174863 10175135 10175136 10175137 10175138 10175139 10175141 10175142		
10175143	10175144 10175146 10175147 10176831 10176832 10176833 10176834 10176835 10176836 10176837		
10176838	10176840 10176841 10176842 10177914 10177915 10177916 10177917 10177918 10177920 10185149		
10185150	10185151 10185152 10185153 10185154 10185156 10185157 10185159 10185160 10185161 10185162		
10185163	10185164 10185166 10185167 10185168 10186038 10186039 10186041 10189393 10190986 10191665		
10191666	10191667 10191670 10191671 10191672 10191673 10191674 10191675 10191676 10191677 10192455		
10192456	10192457 10192458 10192459 10192460 10192462 10192463 10192464 10192465 10192466 10193452		
10193453	10193454 10193455 10193456 10193457 10194674 10194675 10194676 10194677 10194678 10194679		
10194680	10194681 10194683 10194684 10194686 10194687 10194688 10194689 10194690 10194691 10194692		
10194693	10194694 10194695 10194696 10194697 10195971 10195978 10195983 10195985 10201945 10201947		
10201948	10201950 10201952 10201953 10205192 10210252 10210254 10210255 10210256 10210257 10210258		
10210259	10210260 10210261 10210262 10210263 10210264 10210265 10210266 10210267 10210268 10210269		
10210270	10210271 10210273 10210277 10210278 10210279 10210280 10210281 10213234 10213235 10213236		
10213238	10213239 10213240 10213241 10213243 10213244 10213246 10213248 10213249 10213250 10213253		
10213254	10213255 10213256 10213257 10213258 10213259 10213260 10213261 10213262 10213263 10213264		
10213265	10213266 10213268 10213269 10213270 10213271 10213273 10215539 10215540 10215542 10215544		
10215547	10215549 10215550 10215551 10215552 10215553 10215554 10215555 10215556 10215559 10215560		
10215561	10215562 10215564 10215566 10215567 10215568 10215570 10215571 10215573 10215575 10215576		
10215577	10215579 10215580 10215581 10215583 10215584 10215585 10215586 10215587 10215588 10215589		
10215590	10215591 10215592 10215593 10215595 10215596 10215597 10215598 10218767 10218769 10218770		
10218771	10218772 10218773 10218774 10218775 10218776 10218777 10218778 10218779 10218780 10218781		
10218782	10218783 10218784 10218785 10218786 10218787 10218788 10218790 10218791 10218792 10218793		
10218794	10218795 10218796 10218797 10218798 10218799 10218800 10218801 10218802 10218804		
10218805	10218807 10218809 10218810 10218811 10218815 10218816 10218818 10218819 10218820		
10218821	10218822 10218823 10218825 10218826 10222192 10222193 10222194 10222195 10223035		
10223038	10223039 10223040 10223041 10223043 10223044 10223045 10223046 10223047 10223048		
10223049	10223050 10223051 10223354 10223355 10223356 10223357 10223358 10223359 10223360 10223361		
10224023	10224024 10224026 10224027 10224028 10224029 10224030 10225294 10225295 10225296 10225297		
10225298	10225299 10225300 10225301 10225302 10225303 10225304 10225305 10225306 10225307 10225308		
10225309	10225310 10225311 10225312 10225313 10225314 10225315 10225316 10225317 10225318 10225319		
10225320	10225321 10225322 10225323 10231885 10231886 10231888 10231889 10231890 10231891 10231893		
10231894	10231895 10231897 10231898 10231899 10231900 10231901 10231913 10232549 10232550 10232551		
10232552	10232553 10232554 10232555 10232556 10232557 10232558 10232559 10232560 10232561 10232562		
10232563	10232564 10232565 10232566 10232567 10232568 10232569 10232570 10232571 10232572 10232573		
10232574	10232575 10232577 10232578 10234417 10234439 10234441 10234442 10235694 10235695 10236360		
10236361	10236362 10236363 10236364 10236365 10236366 10236367 10236368 10236370 10236371 10236372		
10237388	10237389 10237391 10237392 10237393 10237394 10237396 10237400 10237403 10238298 10238300		
10238301	10238302 10238304 10238305 10238306 10238308 10238544 10238545 10238546 10238547 10238548		
10238549	10238550 10238551 10239706 10241943 10241945 10243761 10243762 10243764 10243765 10243767		
10243768	10243771 10243774 10243775 10243776 10243777 10243778 10243779 10243780 10243781 10243782		
10243783	10243784 10243785 10243786 10243787 10243788 10243790 10243791 10243792 10243793 10243794		
10243795	10243806 10243807 10243808 10243813 10243814 10243815 10243819 10243820 10243821 10243822		
10243823	10243824 10243826 10243827 10243829 10243830 10243832 10243833 10243834 10243836 10243837		
10243839	10243840 10243841 10243842 10243844 10243845 10243848 10243849 10243852 10243853 10243854		
10243855	10243857 10243858 10243859 10243860 10243861 10243862 10243863 10243864 10243865 10246220		

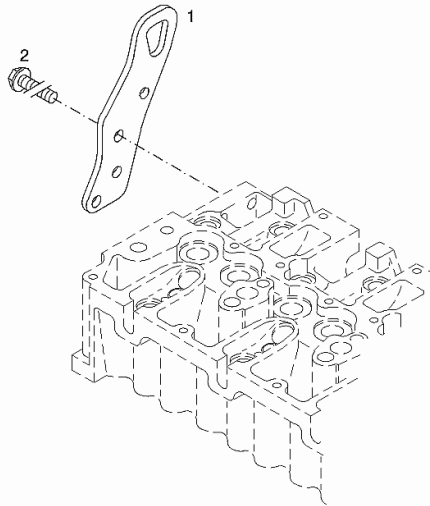
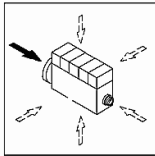


000

Section: B0 - ENGINE
ENGINE MOUNTING

Fig.	Code	QTY	Name
10158867	10158868 10158869 10159389 10159390 10159391 10159392 10159393 10159395 10159396 10159397		
10159398	10160537 10160538 10160540 10160541 10162145 10162146 10162148 10163665 10163667 10165701		
10165704	10166323 10166328 10166329 10166333 10166334 10166335 10167441 10167442 10168042 10169328		
10169329	10169330 10169331 10169332 10169333 10169335 10172739 10174787 10174788 10174789 10174790		
10174791	10174792 10174793 10174794 10174795 10174852 10174853 10174854 10174855 10174856 10174857		
10174859	10174861 10174862 10174863 10175135 10175136 10175137 10175138 10175139 10175141 10175142		
10175143	10175144 10175146 10175147 10176831 10176832 10176833 10176834 10176835 10176836 10176837		
10176838	10176840 10176841 10176842 10177914 10177915 10177916 10177917 10177918 10177920 10185149		
10185150	10185151 10185152 10185153 10185154 10185156 10185157 10185159 10185160 10185161 10185162		
10185163	10185164 10185166 10185167 10185168 10186038 10186039 10186041 10189393 10190986 10191665		
10191666	10191667 10191670 10191671 10191672 10191673 10191674 10191675 10191676 10191677 10192455		
10192456	10192457 10192458 10192459 10192460 10192462 10192463 10192464 10192465 10192466 10193452		
10193453	10193454 10193455 10193456 10193457 10194674 10194675 10194676 10194677 10194678 10194679		
10194680	10194681 10194683 10194684 10194686 10194687 10194688 10194689 10194690 10194691 10194692		
10194693	10194694 10194695 10194696 10194697 10195971 10195978 10195983 10195985 10201945 10201947		
10201948	10201950 10201952 10201953 10205192 10210252 10210254 10210255 10210256 10210257 10210258		
10210259	10210260 10210261 10210262 10210263 10210264 10210265 10210266 10210267 10210268 10210269		
10210270	10210271 10210273 10210277 10210278 10210279 10210280 10210281 10213234 10213235 10213236		
10213238	10213239 10213240 10213241 10213243 10213244 10213246 10213248 10213249 10213250 10213253		
10213254	10213255 10213256 10213257 10213258 10213259 10213260 10213261 10213262 10213263 10213264		
10213265	10213266 10213268 10213269 10213270 10213271 10213273 10215539 10215540 10215542 10215544		
10215547	10215549 10215550 10215551 10215552 10215553 10215554 10215555 10215556 10215559 10215560		
10215561	10215562 10215564 10215566 10215567 10215568 10215570 10215571 10215573 10215575 10215576		
10215577	10215579 10215580 10215581 10215583 10215584 10215585 10215586 10215587 10215588 10215589		
10215590	10215591 10215592 10215593 10215595 10215596 10215597 10215598 10218767 10218769 10218770		
10218771	10218772 10218773 10218774 10218775 10218776 10218777 10218778 10218779 10218780 10218781		
10218782	10218783 10218784 10218785 10218786 10218787 10218788 10218790 10218791 10218792 10218800		
10218801	10218802 10218804 10218805 10218807 10218809 10218810 10218811 10218815 10218816 10218818		
10218819	10218820 10218821 10218822 10218823 10218825 10218826 10222192 10222193 10222194 10222195		
10223035	10223038 10223039 10223040 10223041 10223043 10223044 10223045 10223046 10223047 10223048		
10223049	10223050 10223051 10223354 10223355 10223356 10223357 10223358 10223359 10223360 10223361		
10224023	10224024 10224026 10224027 10224028 10224030 10225294 10225295 10225296 10225297 10225298		
10225299	10225300 10225301 10225302 10225303 10225304 10225305 10225306 10225307 10225308 10225309		
10225310	10225311 10225312 10225313 10225314 10225315 10225316 10225317 10225318 10225319 10225320		
10225321	10225322 10225323 10231885 10231886 10231888 10231889 10231890 10231891 10231893 10231894		
10231895	10231897 10231898 10231899 10231900 10231901 10231913 10232549 10232550 10232551 10232552		
10232553	10232554 10232555 10232556 10232557 10232558 10232559 10232560 10232561 10232562 10232563		
10232564	10232565 10232566 10232567 10232568 10232569 10232570 10232571 10232572 10232573 10232574		
10232575	10232577 10232578 10234417 10234439 10234441 10234442 10235694 10235695 10236360 10236361		
10236362	10236363 10236364 10236365 10236366 10236367 10236368 10236370 10236371 10236372 10237388		
10237389	10237391 10237392 10237393 10237394 10237396 10237400 10237403 10238298 10238300 10238301		
10238302	10238304 10238305 10238306 10238308 10238544 10238545 10238546 10238547 10238548 10238549		
10238550	10238551 10239706 10241943 10241945 10243761 10243762 10243764 10243765 10243767 10243768		
10243771	10243774 10243775 10243776 10243777 10243778 10243779 10243780 10243781 10243782 10243783		
10243784	10243785 10243786 10243787 10243788 10243790 10243791 10243792 10243793 10243794 10243795		
10243806	10243807 10243808 10243813 10243814 10243815 10243819 10243820 10243821 10243822 10243823		
10243824	10243826 10243827 10243829 10243830 10243832 10243833 10243834 10243836 10243837 10243839		
10243840	10243841 10243842 10243844 10243845 10243848 10243849 10243852 10243853 10243854 10243855		
10243857	10243858 10243859 10243860 10243861 10243862 10243863 10243864 10243865 10246220		

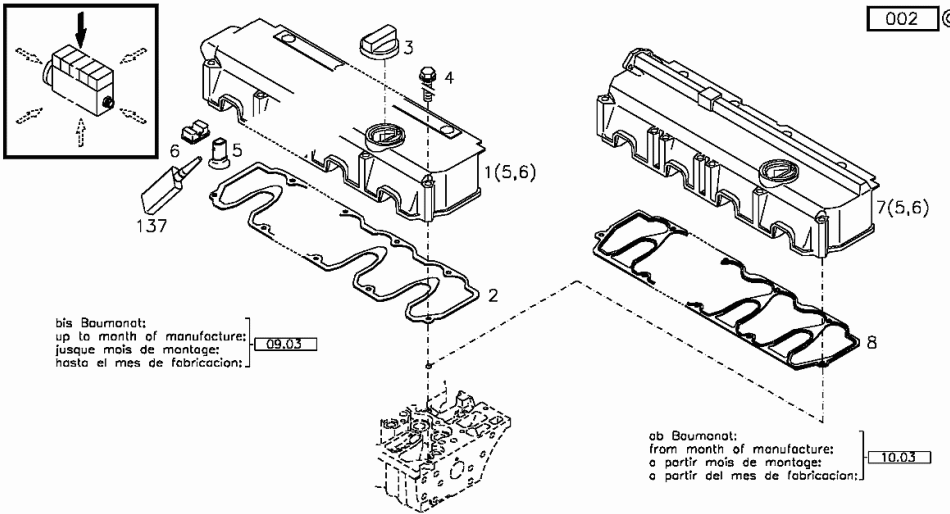
001 ©



Section: B0 - ENGINE
ROCKER ARMS COVER

Fig.	Code	QTY	Name
------	------	-----	------

10293990	10293991	10293992	10297367	10297368	10297369	10297370	10297371	10297373	10297374	10297375
10297376	10297377	10297378	10297379	10297380	10297381	10297382	10297383	10297384	10297385	10297386
10297387	10297388	10297389	10297390	10297391	10297392	10297393	10297394	10297395	10297396	10297814
10297815	10297816	10297817	10297818	10297819	10297820	10297821	10297822	10297823	10297824	10297825
10297827	10297828	10297829	10297830	10297832	10297833	10297835	10297836	10297837	10297839	10297840
10297841	10297843	10297844	10297845	10297846	10297847	10297848	10297851	10297853	10297854	10297855
10297856	10297857	10297858	10297860	10297861	10297862	10297863	10297864	10297865	10297866	10297867
10297868	10468013	10468014	10468015	10468016	10468017	10468018	10468019	10468020	10468022	10468024
10468027	10468028	10468241	10468242	10468243	10468244	10468246	10468247	10468249	10468250	10468251
10468252	10468253	10468254	10487461	10487462	10487463	10487464	10487465	10487466	10487467	10487468
10487469	10487470	10487471	10487472	10487473	10487474	10487476	10487477	10487478	10487479	10487480
10490610	10490611	10490612	10490613	10490614	10490615	10490616	10490617	10490619	10490620	10490622
10490623	10490624	10490625	10490757	10490758	10490759	10490760	10490761	10490762	10490763	10490764
10490766	10490768	10490769	10490770	10490771	10490772	10490773	10490774	10490775	10490777	10490778
10490779	10490780	10490781	10490783	10490785	10490786	10490901	10490902	10490904	10490905	10490909
10490911	10490912	10521065	10521066	10521068	10521069	10521070	10521071	10521072	10521073	10521074
10521075	10521077	10521078	10521079	10521080	10521081	10521082	10521083	10521085	10521086	10521087
10521088	10521089	10521090	10521091	10521092	10521093	10521094	10521095	10521096	10521097	10521098
10521099	10521100	10521101	10521102	10521103	10521104	10521105	10521106	10521107	10527999	10528000
10528001	10528002	10528003	10528004	10528005	10528006	10528007	10528008	10528009	10528010	10528011
10528012	10528013	10528014	10528015	10528016	10528017	10528019	10528020	10528021	10528022	10528023
10528024	10528025	10528026	10528027	10528028	10533880	10533881	10533882	10533883	10533884	10533885
10533886	10533887	10533888	10533889	10533890	10533891	10533892	10533893	10533894	10533895	10533896
10533897	10533898	10534855	10534856	10534857	10534858	10534859	10534860	10534861	10534862	10534863
10534864	10534865	10534866	10534867	10534868	10534869	10534870	10534871	10534872	10534873	10534874
10534875	10534876	10534877	10534878	10534879	10534880	10534881	10534882	10534883	10534884	10555711
10555713	10555714	10555715	10555716	10555717	10555719	10555720	10555722	10555723	10555724	10555725
10555726	10555728	10555729	10555730	10555731	10555734	10555735	10555736	10555737	10555740	10555741
10555742	10571268	10571269	10571270	10571271	10571272	10571273	10571274	10571275	10571276	10579570
10579571	10579572	10579573	10579574	10579575	10579576	10579577	10579578	10579579	10579580	10579582
10579584	10579585	10579586	10579587	10579588	10579589	10579590	10587082	10587083	10587840	10594566
10594567	10594568	10594569	10594570	10594571	10606629	10606630	10606631	10606632	10606633	10606634
10606635	10606636	10606637	10606638	10606639	10606640	10606642	10606643	10606646	10606647	10606648
10606649	10607132	10607133	10607134	10607135	10607136	10607137	10613103	10613105	10628200	10628201
10628204	10628206	10628207	10628212	10628213	10628214	10628216	10661640	10661641	10661642	10661643



1	04197879	1	boot WITH POS.... (5,6)
2	04198796	1	gasket
3	01179630	1	plug
4	01143378	9	screw EN 1662 -F-M6X75-10.9-A4C*
5	04203897	1	nozzle
6	04203896	1	tube
7	04283394	1	cap WITH POS.... (5,6)
8	04283391	1	gasket

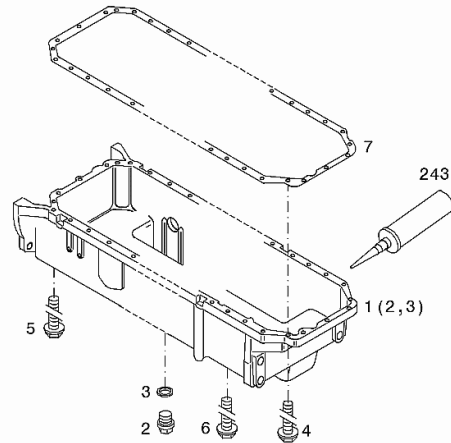
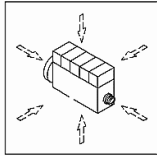
OIL PAN

Fig.	Code	QTY	Name
------	------	-----	------

Engine Serial Numbers:

1092657	1092658	1092659	1092660	10010482	10010483	10010484	10011019	10011020	10011021	10011022
10013024	10013025	10013026	10013027	10013028	10013029	10013030	10013031	10013032	10013033	10013034
10013035	10013036	10013037	10013038	10013039	10013040	10013975	10013976	10013977	10013979	10013980
10014266	10014267	10017310	10017311	10017312	10017313	10017314	10017315	10017316	10017317	10017318
10020068	10020070	10020071	10020073	10020074	10020075	10020076	10020077	10020078	10020079	10020080
10020081	10020082	10020083	10020084	10020085	10020871	10026610	10026611	10026612	10026613	10026614
10026615	10026864	10026866	10026867	10026868	10026869	10026870	10026872	10026873	10026874	10026875
10026876	10026877	10026878	10026879	10026880	10027736	10027738	10027739	10027740	10027741	10027742
10027744	10027873	10027874	10027875	10027876	10027877	10027878	10029900	10029901	10029902	10029903
10029904	10029905	10029906	10029907	10029908	10029909	10029910	10029912	10029913	10029914	10029915
10029916	10030579	10030580	10030581	10030582	10030583	10030584	10030585	10030586	10030587	10030609
10030610	10030611	10030612	10030613	10030614	10030615	10030616	10030617	10030831	10030832	10030833
10030835	10048303	10048304	10050481	10050482	10050483	10050484	10050485	10050486	10052806	10052807
10052808	10052809	10052810	10052811	10052813	10061206	10061207	10061209	10061210	10061211	10061212
10061213	10061214	10061215	10061216	10061217	10061218	10063179	10063180	10063182	10063183	10063184
10063185	10063186	10063203	10063204	10063205	10063207	10063208	10063209	10063341	10063342	10063343
10063344	10063345	10063346	10063348	10063349	10063350	10070533	10070534	10070535	10070536	10070538
10070539	10070540	10070542	10070544	10070545	10072951	10072952	10072953	10072954	10072955	10072957
10072959	10072960	10073148	10073149	10073150	10073151	10073152	10073153	10073154	10074213	10074214
10074506	10074507	10074509	10074510	10074511	10074512	10074513	10077411	10077412	10077893	10077894
10077895	10077897	10077901	10077903	10077905	10078591	10078592	10078593	10078594	10078595	10079263
10079264	10079266	10079267	10079268	10080195	10082670	10082671	10082672	10082673	10082674	10082675
10082676	10083874	10085437	10085438	10085440	10085441	10085442	10085443	10085444	10085445	10085447
10085452	10085453	10085454	10085455	10085457	10085458	10085459	10085460	10085466	10085468	10085469
10085470	10085471	10085472	10085473	10085474	10085475	10085476	10085477	10085478	10088946	10088947
10088948	10088949	10088950	10088951	10088952	10088954	10088955	10090395	10090396	10090398	10090401
10090402	10090403	10091030	10091031	10091032	10093735	10093737	10093859	10093860	10093861	10093862
10093864	10094088	10094089	10094090	10094091	10094092	10094093	10094094	10097207	10097208	10097210
10097211	10097212	10097213	10097214	10106097	10106098	10106099	10106100	10106101	10106102	10106617
10106619	10106620	10106621	10106622	10106623	10106624	10106625	10108012	10108013	10108014	10108015
10109291	10109292	10109293	10109295	10109296	10109297	10109298	10109299	10109389	10109392	10111046
10111047	10111048	10111049	10111051	10111499	10111500	10111501	10111502	10111503	10111504	10111505
10111506	10112477	10112478	10112479	10112480	10112804	10112805	10112806	10118610	10118611	10118612
10120277	10120279	10120281	10120695	10120696	10120697	10120699	10121072	10121073	10125124	10125126
10125129	10125130	10125155	10126183	10126186	10126187	10126190	10126191	10126192	10126193	10128992
10128993	10128995	10128996	10128997	10128998	10128999	10129000	10129001	10129002	10129003	10129004
10129005	10129006	10129008	10129420	10129421	10129422	10130423	10130424	10130425	10130426	10130428
10133283	10133285	10133286	10133288	10133289	10133290	10134019	10134020	10134021	10134022	10134023
10134024	10134025	10134027	10134029	10134030	10135546	10135547	10135548	10136000	10136003	10137420
10137421	10137422	10137423	10137424	10137425	10137426	10137427	10137428	10137430	10137431	10137432
10137433	10137444	10137445	10137446	10137447	10137448	10137449	10139797	10139798	10139800	10139802
10139804	10139806	10139808	10139836	10139837	10139838	10139839	10139840	10139841	10139842	10139843
10139844	10139845	10139846	10139847	10139848	10139849	10140889	10140891	10140892	10140893	10140895
10140896	10140897	10140898	10140899	10141788	10141789	10141790	10141791	10142274	10143225	10143228
10143229	10143695	10143696	10143697	10144531	10144532	10144908	10144909	10144910	10144911	10144913
10144917	10144918	10150463	10150464	10150465	10150466	10150468	10150469	10150470	10154224	10154225
10154226	10155081	10155082	10155083	10155084	10155085	10158319	10158320	10158322	10158323	10158324
10158855	10158856	10158858	10158859	10158860	10158861	10158862	10158863	10158864	10158865	10158866

003 ©

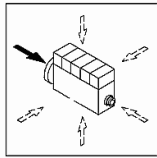


Section: B0 - ENGINE
CLOSING COMPONENTS

Fig.	Code	QTY	Name
------	------	-----	------

10293990	10293991	10293992	10297367	10297368	10297369	10297370	10297371	10297373	10297374	10297375
10297376	10297377	10297378	10297379	10297380	10297381	10297382	10297383	10297384	10297385	10297386
10297387	10297388	10297389	10297390	10297391	10297392	10297393	10297394	10297395	10297396	10297814
10297815	10297816	10297817	10297818	10297819	10297820	10297821	10297822	10297823	10297824	10297825
10297827	10297828	10297829	10297830	10297832	10297833	10297835	10297836	10297837	10297839	10297840
10297841	10297843	10297844	10297845	10297846	10297847	10297848	10297851	10297853	10297854	10297855
10297856	10297857	10297858	10297860	10297861	10297862	10297863	10297864	10297865	10297866	10297867
10297868	10468013	10468014	10468015	10468016	10468017	10468018	10468019	10468020	10468022	10468024
10468027	10468028	10468241	10468242	10468243	10468244	10468246	10468247	10468249	10468250	10468251
10468252	10468253	10468254	10487461	10487462	10487463	10487464	10487465	10487466	10487467	10487468
10487469	10487470	10487471	10487472	10487473	10487474	10487476	10487477	10487478	10487479	10487480
10490610	10490611	10490612	10490613	10490614	10490615	10490616	10490617	10490619	10490620	10490622
10490623	10490624	10490625	10490757	10490758	10490759	10490760	10490761	10490762	10490763	10490764
10490766	10490768	10490769	10490770	10490771	10490772	10490773	10490774	10490775	10490777	10490778
10490779	10490780	10490781	10490783	10490785	10490786	10490901	10490902	10490904	10490905	10490909
10490911	10490912	10521065	10521066	10521068	10521069	10521070	10521071	10521072	10521073	10521074
10521075	10521077	10521078	10521079	10521080	10521081	10521082	10521083	10521085	10521086	10521087
10521088	10521089	10521090	10521091	10521092	10521093	10521094	10521095	10521096	10521097	10521098
10521099	10521100	10521101	10521102	10521103	10521104	10521105	10521106	10521107	10527999	10528000
10528001	10528002	10528003	10528004	10528005	10528006	10528007	10528008	10528009	10528010	10528011
10528012	10528013	10528014	10528015	10528016	10528017	10528019	10528020	10528021	10528022	10528023
10528024	10528025	10528026	10528027	10528028	10533880	10533881	10533882	10533883	10533884	10533885
10533886	10533887	10533888	10533889	10533890	10533891	10533892	10533893	10533894	10533895	10533896
10533897	10533898	10534855	10534856	10534857	10534858	10534859	10534860	10534861	10534862	10534863
10534864	10534865	10534866	10534867	10534868	10534869	10534870	10534871	10534872	10534873	10534874
10534875	10534876	10534877	10534878	10534879	10534880	10534881	10534882	10534883	10534884	10555711
10555713	10555714	10555715	10555716	10555717	10555719	10555720	10555722	10555723	10555724	10555725
10555726	10555728	10555729	10555730	10555731	10555734	10555735	10555736	10555737	10555740	10555741
10555742	10571268	10571269	10571270	10571271	10571272	10571273	10571274	10571275	10571276	10579570
10579571	10579572	10579573	10579574	10579575	10579576	10579577	10579578	10579579	10579580	10579582
10579584	10579585	10579586	10579587	10579588	10579589	10579590	10587082	10587083	10587840	10594566
10594567	10594568	10594569	10594570	10594571	10606629	10606630	10606631	10606632	10606633	10606634
10606635	10606636	10606637	10606638	10606639	10606640	10606642	10606643	10606646	10606647	10606648
10606649	10607132	10607133	10607134	10607135	10607136	10607137	10613103	10613105	10628200	10628201
10628204	10628206	10628207	10628212	10628213	10628214	10628216	10661640	10661641	10661642	10661643

004 ©

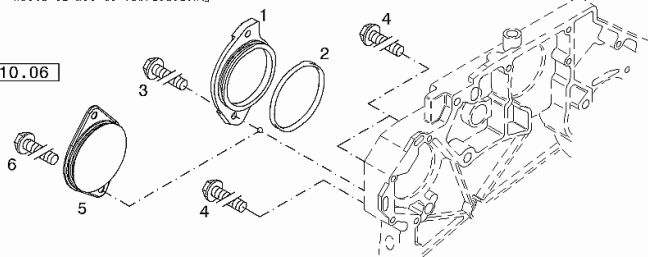


bis Baumonat:
 up to month of manufacture:
 jusqu'au mois de montage:
 hasta el mes de fabricacion:

09.06

ab Baumonat:
 from month of manufacture:
 a partir mois de montage:
 a partir del mes de fabricacion:

10.06



1	04283232	1	stop - UP TO MONTH OF ASSEMBLY (A) - FROM MONTH OF ASSEMBLY SEE POS. (B) A = 09/2006 B = POS.5
2	01160962	1	'o' ring H 2927 -82X4-NBR-1-70
3	01181431	2	screw UP TO THE MONTH OF ASSEMBLY 09/2006
4	01181437	3	EN 1662 -F-M8X50-10.9-ZNAL-A screw

CLICK HERE TO **DOWNLOAD** THE COMPLETE MANUAL

- Thank you very much for reading the preview of the manual.
- You can download the complete manual from: www.heydownloads.com by clicking the link below



- Please note: If there is no response to CLICKING the link, please download this PDF first and then click on it.

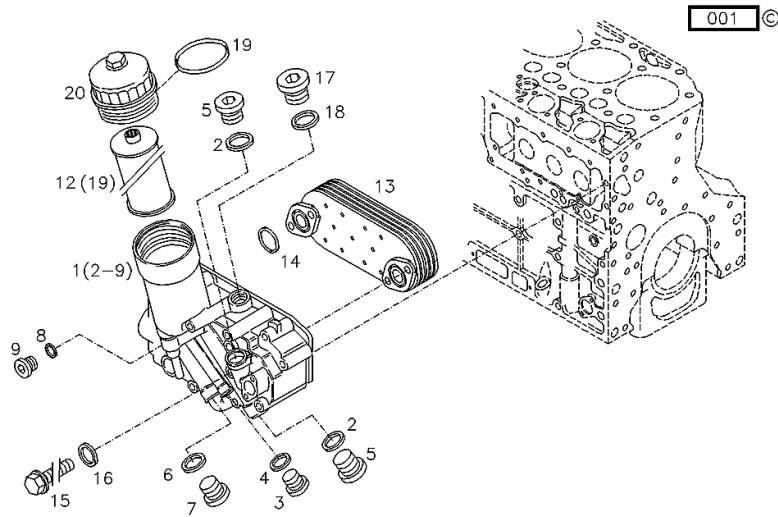
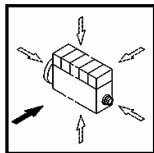
CLICK HERE TO **DOWNLOAD** THE COMPLETE MANUAL

Section: B0 - ENGINE
OIL COOLER BOX

Fig.	Code	QTY	Name
------	------	-----	------

Engine Serial Numbers:

1092657 1092658 1092659 1092660 10010482 10010483 10010484 10011019 10011020 10011021 10011022
 10013024 10013025 10013026 10013027 10013028 10013029 10013030 10013031 10013032 10013033 10013034
 10013035 10013036 10013037 10013038 10013039 10013040 10013975 10013976 10013977 10013979 10013980
 10014266 10014267 10017310 10017311 10017312 10017313 10017314 10017315 10017316 10017317 10017318
 10020068 10020070 10020071 10020073 10020074 10020075 10020076 10020077 10020078 10020079 10020080
 10020081 10020082 10020083 10020084 10020085 10020871 10026610 10026611 10026612 10026613 10026614
 10026615 10026864 10026866 10026867 10026868 10026869 10026870 10026872 10026873 10026874 10026875
 10026876 10026877 10026878 10026879 10026880 10027736 10027738 10027739 10027740 10027741 10027742
 10027744 10027873 10027874 10027875 10027876 10027877 10027878 10029900 10029901 10029902 10029903
 10029904 10029905 10029906 10029907 10029908 10029909 10029910 10029912 10029913 10029914 10029915
 10029916 10030579 10030580 10030581 10030582 10030583 10030584 10030585 10030586 10030587 10030609
 10030610 10030611 10030612 10030613 10030614 10030615 10030616 10030617 10030831 10030832 10030833
 10030835 10048303 10048304 10050481 10050482 10050483 10050484 10050485 10050486 10052806 10052807
 10052808 10052809 10052810 10052811 10052813



001 ©

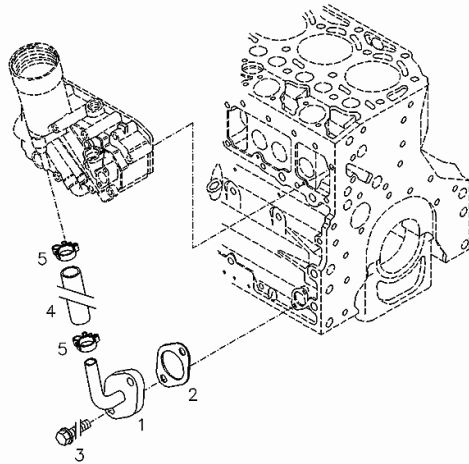
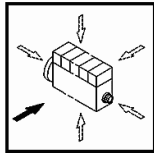
0507 8779

1	04284447	1	body WITH POS.... (2-9)
2	01118760	2	gasket 26x31 DIN 7603 -A26X31-CU
3	01182177	1	screw H 2812 -908-M18X1,5-ST-A4C-PRE80
4	01118713	1	washer 18.5 DIN 7603 -A18X22-CU
5	01148158	2	plug DIN 908 -M26X1,5-ST-A4C
6	01118784	1	'o' ring 30x36x2 d7603 DIN 7603 -A30X36-CU
7	01103686	1	screw m 30 p.1 DIN 908 -M30X1,5-ST-A4C
8	01118659	1	'o' ring DIN 7603 -A10X13,5-CU
9	01131075	1	screw DIN 908 -M10X1-ST-A4C*
12	02931092	1	filter WITH POS.... (19)
13	04209936	1	oil cooler
14	01174714	2	ring 28x4 H 2927 -28X4-FPM-1-70
15	01180220	4	screw EN 1662 -F-M8X40-10.9-GESCHW
16	01118654	4	'o' ring 8x14 d7603 DIN 7603 -A8X14-CU
17	01148158	1	plug DIN 908 -M26X1,5-ST-A4C

OIL RETURN

Fig.	Code	QTY	Name
------	------	-----	------

10293990	10293991	10293992	10297367	10297368	10297369	10297370	10297371	10297373	10297374	10297375
10297376	10297377	10297378	10297379	10297380	10297381	10297382	10297383	10297384	10297385	10297386
10297387	10297388	10297389	10297390	10297391	10297392	10297393	10297394	10297395	10297396	10297814
10297815	10297816	10297817	10297818	10297819	10297820	10297821	10297822	10297823	10297824	10297825
10297827	10297828	10297829	10297830	10297832	10297833	10297835	10297836	10297837	10297839	10297840
10297841	10297843	10297844	10297845	10297846	10297847	10297848	10297851	10297853	10297854	10297855
10297856	10297857	10297858	10297860	10297861	10297862	10297863	10297864	10297865	10297866	10297867
10297868	10468013	10468014	10468015	10468016	10468017	10468018	10468019	10468020	10468022	10468024
10468027	10468028	10468241	10468242	10468243	10468244	10468246	10468247	10468249	10468250	10468251
10468252	10468253	10468254	10487461	10487462	10487463	10487464	10487465	10487466	10487467	10487468
10487469	10487470	10487471	10487472	10487473	10487474	10487476	10487477	10487478	10487479	10487480
10490610	10490611	10490612	10490613	10490614	10490615	10490616	10490617	10490619	10490620	10490622
10490623	10490624	10490625	10490757	10490758	10490759	10490760	10490761	10490762	10490763	10490764
10490766	10490768	10490769	10490770	10490771	10490772	10490773	10490774	10490775	10490777	10490778
10490779	10490780	10490781	10490783	10490785	10490786	10490901	10490902	10490904	10490905	10490909
10490911	10490912	10521065	10521066	10521068	10521069	10521070	10521071	10521072	10521073	10521074
10521075	10521077	10521078	10521079	10521080	10521081	10521082	10521083	10521085	10521086	10521087
10521088	10521089	10521090	10521091	10521092	10521093	10521094	10521095	10521096	10521097	10521098
10521099	10521100	10521101	10521102	10521103	10521104	10521105	10521106	10521107	10527999	10528000
10528001	10528002	10528003	10528004	10528005	10528006	10528007	10528008	10528009	10528010	10528011
10528012	10528013	10528014	10528015	10528016	10528017	10528019	10528020	10528021	10528022	10528023
10528024	10528025	10528026	10528027	10528028	10533880	10533881	10533882	10533883	10533884	10533885
10533886	10533887	10533888	10533889	10533890	10533891	10533892	10533893	10533894	10533895	10533896
10533897	10533898	10534855	10534856	10534857	10534858	10534859	10534860	10534861	10534862	10534863
10534864	10534865	10534866	10534867	10534868	10534869	10534870	10534871	10534872	10534873	10534874
10534875	10534876	10534877	10534878	10534879	10534880	10534881	10534882	10534883	10534884	10555711
10555713	10555714	10555715	10555716	10555717	10555719	10555720	10555722	10555723	10555724	10555725
10555726	10555728	10555729	10555730	10555731	10555734	10555735	10555736	10555737	10555740	10555741
10555742	10571268	10571269	10571270	10571271	10571272	10571273	10571274	10571275	10571276	10579570
10579571	10579572	10579573	10579574	10579575	10579576	10579577	10579578	10579579	10579580	10579582
10579584	10579585	10579586	10579587	10579588	10579589	10579590	10587082	10587083	10587840	10594566
10594567	10594568	10594569	10594570	10594571	10606629	10606630	10606631	10606632	10606633	10606634
10606635	10606636	10606637	10606638	10606639	10606640	10606642	10606643	10606646	10606647	10606648
10606649	10607132	10607133	10607134	10607135	10607136	10607137	10613103	10613105	10628200	10628201
10628204	10628206	10628207	10628212	10628213	10628214	10628216	10661640	10661641	10661642	10661643



002 ©

0507 1242

1	04207447	1	tube
2	01178421	1	gasket DIN 71511 -35X58X1,5-DEUTZFW31
3	01181433	2	screw EN 1662 -F-M8X20-LG2,5-10.9-ZNAL-A
4	01180658	1	rubber tube H 3430 -A9,5X15,5X340
5	01180461	2	clamp H 3461 -F-15,0/8

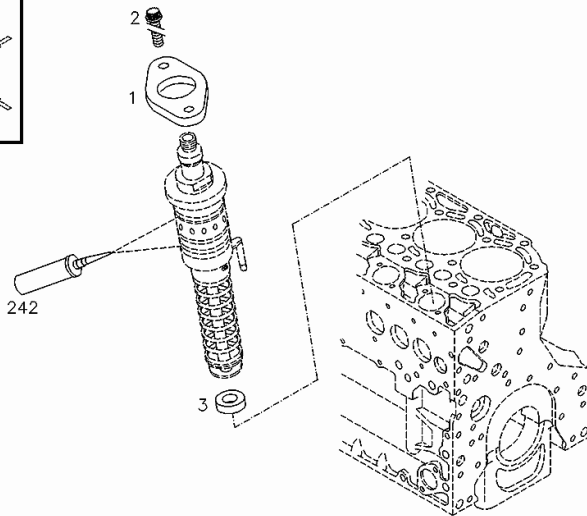
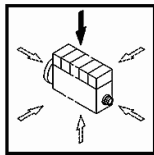
FASTENINGS

Fig.	Code	QTY	Name
------	------	-----	------

Engine Serial Numbers:

10083874 10085730 10139836 10158868 10158869 10163667 10177920 10195971 10223354 10231885 10231886
 10231888 10231889 10231890 10231891 10231893 10231894 10231895 10231897 10231898 10231899 10231900
 10231901 10231913 10236372 10239706 10243806 10243807 10243808 10243813 10243814 10243815 10243819
 10243820 10243821 10243822 10243823 10243824 10243826 10243827 10243829 10243830 10243832 10243833
 10243834 10243836 10243837 10243839 10243840 10243841 10243842 10243844 10243845 10243848 10243849
 10243852 10243853 10243854 10243855 10243857 10243858 10243859 10243860 10243861 10243862 10243863
 10243864 10243865 10256972 10256973 10256974 10256975 10274834 10274835 10274837 10276648

1	02112400	1	flange
2	01181763	2	screw
3	02113022	1	disc
			DEPENDING ON THE MEASUREMENT, GASKET THICKNESS (A) = MM FOR OTHER THICKNESSES SEE POS. (B) A=4.65 MM B=950-984
242	01016105	1	sealing compound
950	02113023	1	disc
			DEPENDING ON THE MEASUREMENT, GASKET THICKNESS (A) = MM FOR OTHER THICKNESSES SEE POS. (B) A=4.70 MM B=951-984
951	02113024	1	disc
			DEPENDING ON THE MEASUREMENT, GASKET THICKNESS (A) = MM FOR OTHER THICKNESSES SEE POS. (B) A=4.75 MM B=950.952-984
952	02113025	1	disc
			DEPENDING ON THE MEASUREMENT, GASKET THICKNESS (A) = MM FOR OTHER THICKNESSES SEE POS. (B) A=4.80 MM B=951.953-984
953	02113026	1	disc
			DEPENDING ON THE MEASUREMENT, GASKET THICKNESS (A) = MM FOR OTHER THICKNESSES SEE POS. (B) A=4.85 MM B=951,952,954-984
954	02113027	1	disc
			DEPENDING ON THE MEASUREMENT, GASKET THICKNESS (A) = MM FOR OTHER THICKNESSES SEE POS. (B) A=4.90 MM B=950-953,955-984
955	02113028	1	disc



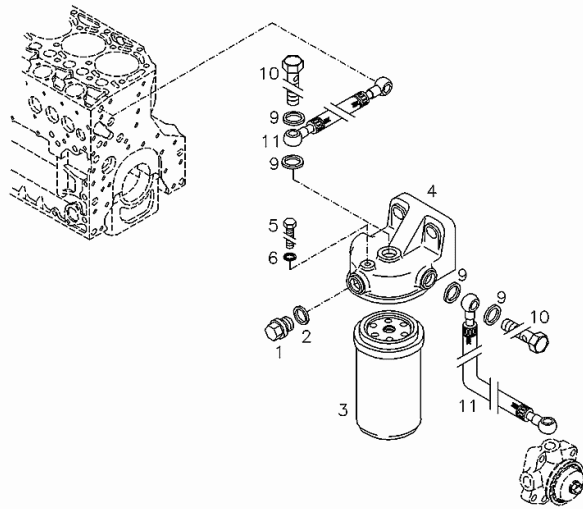
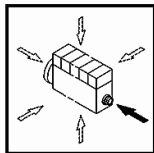
000 ©

0507 8695

FUEL FILTER

Fig.	Code	QTY	Name
------	------	-----	------

10293990	10293991	10293992	10297367	10297368	10297369	10297370	10297371	10297373	10297374	10297375
10297376	10297377	10297378	10297379	10297380	10297381	10297382	10297383	10297384	10297385	10297386
10297387	10297388	10297389	10297390	10297391	10297392	10297393	10297394	10297395	10297396	10297814
10297815	10297816	10297817	10297818	10297819	10297820	10297821	10297822	10297823	10297824	10297825
10297827	10297828	10297829	10297830	10297832	10297833	10297835	10297836	10297837	10297839	10297840
10297841	10297843	10297844	10297845	10297846	10297847	10297848	10297851	10297853	10297854	10297855
10297856	10297857	10297858	10297860	10297861	10297862	10297863	10297864	10297865	10297866	10297867
10297868	10468013	10468014	10468015	10468016	10468017	10468018	10468019	10468020	10468022	10468024
10468027	10468028	10468241	10468242	10468243	10468244	10468246	10468247	10468249	10468250	10468251
10468252	10468253	10468254	10487461	10487462	10487463	10487464	10487465	10487466	10487467	10487468
10487469	10487470	10487471	10487472	10487473	10487474	10487476	10487477	10487478	10487479	10487480
10490610	10490611	10490612	10490613	10490614	10490615	10490616	10490617	10490619	10490620	10490622
10490623	10490624	10490625	10490757	10490758	10490759	10490760	10490761	10490762	10490763	10490764
10490766	10490768	10490769	10490770	10490771	10490772	10490773	10490774	10490775	10490777	10490778
10490779	10490780	10490781	10490783	10490785	10490786	10490901	10490902	10490904	10490905	10490909
10490911	10490912	10521065	10521066	10521068	10521069	10521070	10521071	10521072	10521073	10521074
10521075	10521077	10521078	10521079	10521080	10521081	10521082	10521083	10521085	10521086	10521087
10521088	10521089	10521090	10521091	10521092	10521093	10521094	10521095	10521096	10521097	10521098
10521099	10521100	10521101	10521102	10521103	10521104	10521105	10521106	10521107	10527999	10528000
10528001	10528002	10528003	10528004	10528005	10528006	10528007	10528008	10528009	10528010	10528011
10528012	10528013	10528014	10528015	10528016	10528017	10528019	10528020	10528021	10528022	10528023
10528024	10528025	10528026	10528027	10528028	10533880	10533881	10533882	10533883	10533884	10533885
10533886	10533887	10533888	10533889	10533890	10533891	10533892	10533893	10533894	10533895	10533896
10533897	10533898	10534855	10534856	10534857	10534858	10534859	10534860	10534861	10534862	10534863
10534864	10534865	10534866	10534867	10534868	10534869	10534870	10534871	10534872	10534873	10534874
10534875	10534876	10534877	10534878	10534879	10534880	10534881	10534882	10534883	10534884	10555711
10555713	10555714	10555715	10555716	10555717	10555719	10555720	10555722	10555723	10555724	10555725
10555726	10555728	10555729	10555730	10555731	10555734	10555735	10555736	10555737	10555740	10555741
10555742	10571268	10571269	10571270	10571271	10571272	10571273	10571274	10571275	10571276	10579570
10579571	10579572	10579573	10579574	10579575	10579576	10579577	10579578	10579579	10579580	10579582
10579584	10579585	10579586	10579587	10579588	10579589	10579590	10587082	10587083	10587840	10594566
10594567	10594568	10594569	10594570	10594571	10606629	10606630	10606631	10606632	10606633	10606634
10606635	10606636	10606637	10606638	10606639	10606640	10606642	10606643	10606646	10606647	10606648
10606649	10607132	10607133	10607134	10607135	10607136	10607137	10613103	10613105	10628200	10628201
10628204	10628206	10628207	10628212	10628213	10628214	10628216	10661640	10661641	10661642	10661643



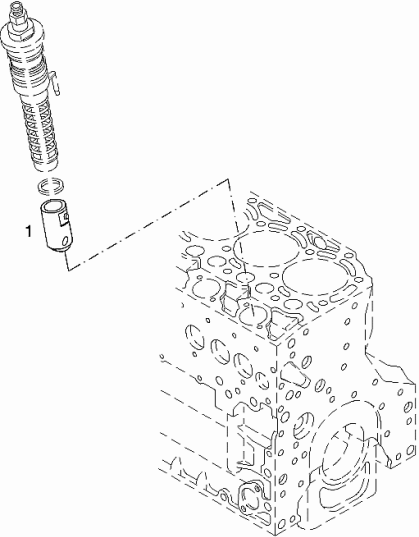
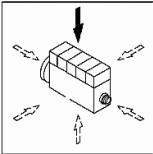
000 ©

0507 7060

1	01182886	2	screw H 2812 -908-M14X1,5-ST-A4C-PRE5
2	01148899	2	rubber plug DIN 7603 -D14X18-CU-VERZINNT
3	01180597	1	fuel filter element SEE ITEM 951 H 4117 -Q0,6-R-9,5BAR
4	01174821	1	console H 4117 -FK1M16X1,5
5	02135103	1	screw
6	01148894	1	'o' ring

Section: B0 - ENGINE
ROLLER TAPPET

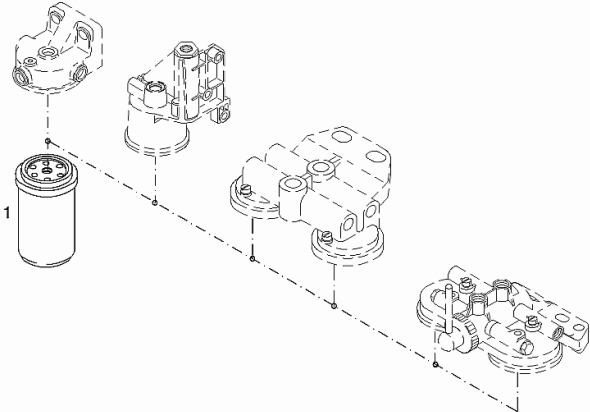
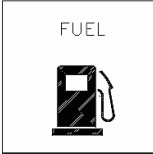
Fig.	Code	QTY	Name
1	02113804	1	nozzle holder



000 ©

Section: B0 - ENGINE
SPIN-ON FILTER

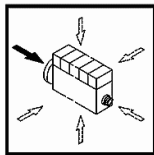
Fig.	Code	QTY	Name
1	01180597	1	fuel filter element H 4117 -Q0,6-R-9,5BAR
950	01182852	1	fuel filter ENGINE RESISTANCE ENGINE RESISTANCE H 4117 -Q0,6-R-9,5BAR-RME



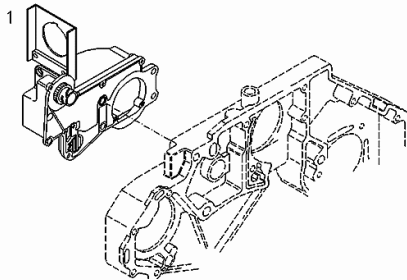
001 ©

ACTUATOR

Fig.	Code	QTY	Name
10158867	10158868 10158869 10159389 10159390 10159391 10159392 10159393 10159395 10159396 10159397		
10159398	10160537 10160538 10160540 10160541 10162145 10162146 10162148 10163665 10163667 10165701		
10165704	10166323 10166328 10166329 10166333 10166334 10166335 10167441 10167442 10168042 10169328		
10169329	10169330 10169331 10169332 10169333 10169335 10172739 10174787 10174788 10174789 10174790		
10174791	10174792 10174793 10174794 10174795 10174852 10174853 10174854 10174855 10174856 10174857		
10174859	10174861 10174862 10174863 10175135 10175136 10175137 10175138 10175139 10175141 10175142		
10175143	10175144 10175146 10175147 10176831 10176832 10176833 10176834 10176835 10176836 10176837		
10176838	10176840 10176841 10176842 10177914 10177915 10177916 10177917 10177918 10177920 10185149		
10185150	10185151 10185152 10185153 10185154 10185156 10185157 10185159 10185160 10185161 10185162		
10185163	10185164 10185166 10185167 10185168 10186038 10186039 10186041 10189393 10190986 10191665		
10191666	10191667 10191670 10191671 10191672 10191673 10191674 10191675 10191676 10191677 10192455		
10192456	10192457 10192458 10192459 10192460 10192462 10192463 10192464 10192465 10192466 10193452		
10193453	10193454 10193455 10193456 10193457 10194674 10194675 10194676 10194677 10194678 10194679		
10194680	10194681 10194683 10194684 10194686 10194687 10194688 10194689 10194690 10194691 10194692		
10194693	10194694 10194695 10194696 10194697 10195971 10195978 10195983 10195985 10201945 10201947		
10201948	10201950 10201952 10201953 10205192 10210252 10210254 10210255 10210256 10210257 10210258		
10210259	10210260 10210261 10210262 10210263 10210264 10210265 10210266 10210267 10210268 10210269		
10210270	10210271 10210273 10210277 10210278 10210279 10210280 10210281 10213234 10213235 10213236		
10213238	10213239 10213240 10213241 10213243 10213244 10213246 10213248 10213249 10213250 10213253		
10213254	10213255 10213256 10213257 10213258 10213259 10213260 10213261 10213262 10213263 10213264		
10213265	10213266 10213268 10213269 10213270 10213271 10213273 10215539 10215540 10215542 10215544		
10215547	10215549 10215550 10215551 10215552 10215553 10215554 10215555 10215556 10215559 10215560		
10215561	10215562 10215564 10215566 10215567 10215568 10215570 10215571 10215573 10215575 10215576		
10215577	10215579 10215580 10215581 10215583 10215584 10215585 10215586 10215587 10215588 10215589		
10215590	10215591 10215592 10215593 10215595 10215596 10215597 10215598 10218767 10218769 10218770		
10218771	10218772 10218773 10218774 10218775 10218776 10218777 10218778 10218779 10218780 10218781		
10218782	10218783 10218784 10218785 10218786 10218787 10218788 10218790 10218791 10218792 10218800		
10218801	10218802 10218804 10218805 10218807 10218809 10218810 10218811 10218815 10218816 10218818		
10218819	10218820 10218821 10218822 10218823 10218825 10218826 10222192 10222193 10222194 10222195		
10223035	10223038 10223039 10223040 10223041 10223043 10223044 10223045 10223046 10223047 10223048		
10223049	10223050 10223051 10223354 10223355 10223356 10223357 10223358 10223359 10223360 10223361		
10224023	10224024 10224026 10224027 10224028 10224029 10224030 10225294 10225295 10225296 10225297		
10225298	10225299 10225300 10225301 10225302 10225303 10225304 10225305 10225306 10225307 10225308		
10225309	10225310 10225311 10225312 10225313 10225314 10225315 10225316 10225317 10225318 10225319		
10225320	10225321 10225322 10225323 10231885 10231886 10231888 10231889 10231890 10231891 10231893		
10231894	10231895 10231897 10231898 10231899 10231900 10231901 10231913 10232549 10232550 10232551		
10232552	10232553 10232554 10232555 10232556 10232557 10232558 10232559 10232560 10232561 10232562		
10232563	10232564 10232565 10232566 10232567 10232568 10232569 10232570 10232571 10232572 10232573		
10232574	10232575 10232577 10232578 10234417 10234439 10234441 10234442 10235694 10235695 10236360		
10236361	10236362 10236363 10236364 10236365 10236366 10236367 10236368 10236370 10236371 10236372		
10237388	10237389 10237391 10237392 10237393 10237394 10237396 10237400 10237403 10238298 10238300		
10238301	10238302 10238304 10238305 10238306 10238308 10238544 10238545 10238546 10238547 10238548		
10238549	10238550 10238551 10239706 10241943 10241945 10243761 10243762 10243764 10243765 10243767		
10243768	10243771 10243774 10243775 10243776 10243777 10243778 10243779 10243780 10243781 10243782		
10243783	10243784 10243785 10243786 10243787 10243788 10243790 10243791 10243792 10243793 10243794		
10243795	10243806 10243807 10243808 10243813 10243814 10243815 10243819 10243820 10243821 10243822		
10243823	10243824 10243826 10243827 10243829 10243830 10243832 10243833 10243834 10243836 10243837		
10243839	10243840 10243841 10243842 10243844 10243845 10243848 10243849 10243852 10243853 10243854		
10243855	10243857 10243858 10243859 10243860 10243861 10243862 10243863 10243864 10243865 10246220		

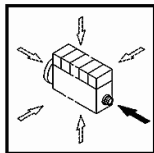


000 ©

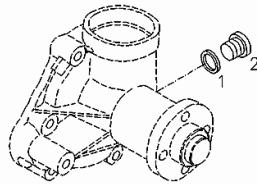


SCREW PLUG

Fig.	Code	QTY	Name
10158867	10158868 10158869 10159389 10159390 10159391 10159392 10159393 10159395 10159396 10159397		
10159398	10160537 10160538 10160540 10160541 10162145 10162146 10162148 10163665 10163667 10165701		
10165704	10166323 10166328 10166329 10166333 10166334 10166335 10167441 10167442 10168042 10169328		
10169329	10169330 10169331 10169332 10169333 10169335 10172739 10174787 10174788 10174789 10174790		
10174791	10174792 10174793 10174794 10174795 10174852 10174853 10174854 10174855 10174856 10174857		
10174859	10174861 10174862 10174863 10175135 10175136 10175137 10175138 10175139 10175141 10175142		
10175143	10175144 10175146 10175147 10176831 10176832 10176833 10176834 10176835 10176836 10176837		
10176838	10176840 10176841 10176842 10177914 10177915 10177916 10177917 10177918 10177920 10185149		
10185150	10185151 10185152 10185153 10185154 10185156 10185157 10185159 10185160 10185161 10185162		
10185163	10185164 10185166 10185167 10185168 10186038 10186039 10186041 10189393 10190986 10191665		
10191666	10191667 10191670 10191671 10191672 10191673 10191674 10191675 10191676 10191677 10192455		
10192456	10192457 10192458 10192459 10192460 10192462 10192463 10192464 10192465 10192466 10193452		
10193453	10193454 10193455 10193456 10193457 10194674 10194675 10194676 10194677 10194678 10194679		
10194680	10194681 10194683 10194684 10194686 10194687 10194688 10194689 10194690 10194691 10194692		
10194693	10194694 10194695 10194696 10194697 10195971 10195978 10195983 10195985 10201945 10201947		
10201948	10201950 10201952 10201953 10205192 10210252 10210254 10210255 10210256 10210257 10210258		
10210259	10210260 10210261 10210262 10210263 10210264 10210265 10210266 10210267 10210268 10210269		
10210270	10210271 10210273 10210277 10210278 10210279 10210280 10210281 10213234 10213235 10213236		
10213238	10213239 10213240 10213241 10213243 10213244 10213246 10213248 10213249 10213250 10213253		
10213254	10213255 10213256 10213257 10213258 10213259 10213260 10213261 10213262 10213263 10213264		
10213265	10213266 10213268 10213269 10213270 10213271 10213273 10215539 10215540 10215542 10215544		
10215547	10215549 10215550 10215551 10215552 10215553 10215554 10215555 10215556 10215559 10215560		
10215561	10215562 10215564 10215566 10215567 10215568 10215570 10215571 10215573 10215575 10215576		
10215577	10215579 10215580 10215581 10215583 10215584 10215585 10215586 10215587 10215588 10215589		
10215590	10215591 10215592 10215593 10215595 10215596 10215597 10215598 10218767 10218769 10218770		
10218771	10218772 10218773 10218774 10218775 10218776 10218777 10218778 10218779 10218780 10218781		
10218782	10218783 10218784 10218785 10218786 10218787 10218788 10218790 10218791 10218792 10218800		
10218801	10218802 10218804 10218805 10218807 10218809 10218810 10218811 10218815 10218816 10218818		
10218819	10218820 10218821 10218822 10218823 10218825 10218826 10222192 10222193 10222194 10222195		
10223035	10223038 10223039 10223040 10223041 10223043 10223044 10223045 10223046 10223047 10223048		
10223049	10223050 10223051 10223354 10223355 10223356 10223357 10223358 10223359 10223360 10223361		
10224023	10224024 10224026 10224027 10224028 10224029 10224030 10225294 10225295 10225296 10225297		
10225298	10225299 10225300 10225301 10225302 10225303 10225304 10225305 10225306 10225307 10225308		
10225309	10225310 10225311 10225312 10225313 10225314 10225315 10225316 10225317 10225318 10225319		
10225320	10225321 10225322 10225323 10231885 10231886 10231888 10231889 10231890 10231891 10231893		
10231894	10231895 10231897 10231898 10231899 10231900 10231901 10231913 10232549 10232550 10232551		
10232552	10232553 10232554 10232555 10232556 10232557 10232558 10232559 10232560 10232561 10232562		
10232563	10232564 10232565 10232566 10232567 10232568 10232569 10232570 10232571 10232572 10232573		
10232574	10232575 10232577 10232578 10234417 10234439 10234441 10234442 10235694 10235695 10236360		
10236361	10236362 10236363 10236364 10236365 10236366 10236367 10236368 10236370 10236371 10236372		
10237388	10237389 10237391 10237392 10237393 10237394 10237396 10237400 10237403 10238298 10238300		
10238301	10238302 10238304 10238305 10238306 10238308 10238544 10238545 10238546 10238547 10238548		
10238549	10238550 10238551 10239706 10241943 10241945 10243761 10243762 10243764 10243765 10243767		
10243768	10243771 10243774 10243775 10243776 10243777 10243778 10243779 10243780 10243781 10243782		
10243783	10243784 10243785 10243786 10243787 10243788 10243790 10243791 10243792 10243793 10243794		
10243795	10243806 10243807 10243808 10243813 10243814 10243815 10243819 10243820 10243821 10243822		
10243823	10243824 10243826 10243827 10243829 10243830 10243832 10243833 10243834 10243836 10243837		
10243839	10243840 10243841 10243842 10243844 10243845 10243848 10243849 10243852 10243853 10243854		
10243855	10243857 10243858 10243859 10243860 10243861 10243862 10243863 10243864 10243865 10246220		

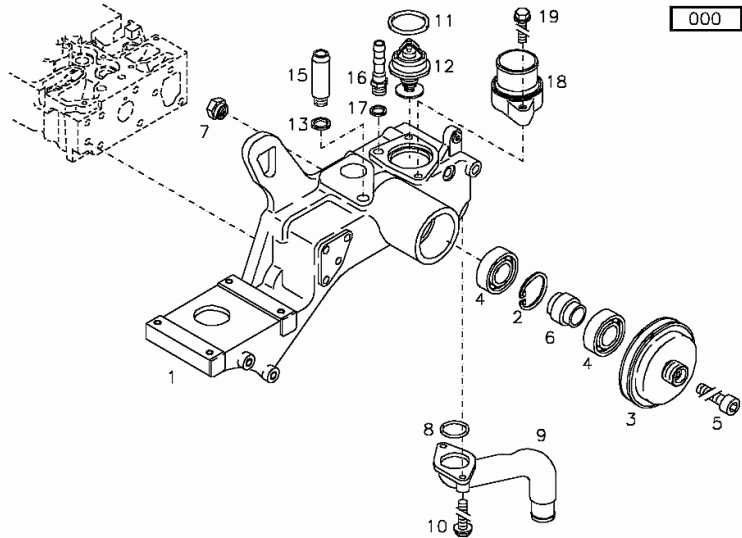
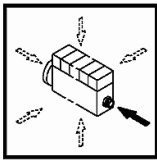


000 ©



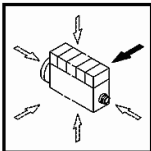
Section: B0 - ENGINE
FAN SUPPORT

Fig.	Code	QTY	Name
9	04282946	1	H 2927 -42X4-EPDM-6-70 tongue
10	01179233	2	screw EN 1662 -F-M10X50-10.9-ZNAL-A
11	04221386	1	'o' ring
12	04224847	1	thermostat
13	01118700	1	'o' ring Ø 16 x 20 DIN 7603 -A16X20-CU
15	04253750	1	pipe fitting
16	04282758	1	tongue
17	01118673	1	'o' ring DIN 7603 -A12X15,5-CU
18	04254383	1	tongue
19	01143362	2	screw EN 1662 -F-M8X35-10.9-A4C

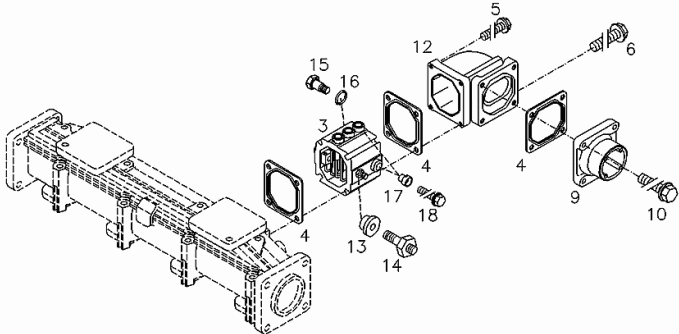


Section: B0 - ENGINE
THERMO STARTER

Fig.	Code	QTY	Name
			ASSEMBLY ASSEMBLY ASSEMBLY
			ASSEMB. 12 V
4	04258906	3	gasket
5	01148415	2	screw
6	01148713	2	screw
9	04283582	1	tongue
10	01181432	4	screw
			EN 1662 -F-M8X100-10.9-ZNAL-A
			EN 1662 -F-M8X165-10.9-ZNAL-A
12	04258696	1	manifold
13	04258468	1	insulator
14	04258628	1	tongue
15	04258466	1	mass -
16	01182006	1	rubber plug
			H 2927 -12X1,5-FPM-1-80
17	04258469	5	insulator
18	04258613	5	screw



000 ©

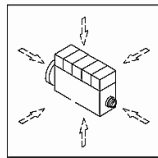


Section: B0 - ENGINE
CLOSING COMPONENTS

Fig.	Code	QTY	Name
------	------	-----	------

Engine Serial Numbers:

1092657	1092658	1092659	1092660	10010482	10010483	10010484	10011019	10011020	10011021	10011022
10013024	10013025	10013026	10013027	10013028	10013029	10013030	10013031	10013032	10013033	10013034
10013035	10013036	10013037	10013038	10013039	10013040	10013975	10013976	10013977	10013979	10013980
10014266	10014267	10017310	10017311	10017312	10017313	10017314	10017315	10017316	10017317	10017318
10020068	10020070	10020071	10020073	10020074	10020075	10020076	10020077	10020078	10020079	10020080
10020081	10020082	10020083	10020084	10020085	10020871	10026610	10026611	10026612	10026613	10026614
10026615	10026864	10026866	10026867	10026868	10026869	10026870	10026872	10026873	10026874	10026875
10026876	10026877	10026878	10026879	10026880	10027736	10027738	10027739	10027740	10027741	10027742
10027744	10027873	10027874	10027875	10027876	10027877	10027878	10029900	10029901	10029902	10029903
10029904	10029905	10029906	10029907	10029908	10029909	10029910	10029912	10029913	10029914	10029915
10029916	10030579	10030580	10030581	10030582	10030583	10030584	10030585	10030586	10030587	10030609
10030610	10030611	10030612	10030613	10030614	10030615	10030616	10030617	10030831	10030832	10030833
10030835	10048303	10048304	10050481	10050482	10050483	10050484	10050485	10050486	10052806	10052807
10052808	10052809	10052810	10052811	10052813	10061206	10061207	10061209	10061210	10061211	10061212
10061213	10061214	10061215	10061216	10061217	10061218	10063179	10063180	10063182	10063183	10063184
10063185	10063186	10063203	10063204	10063205	10063207	10063208	10063209	10063341	10063342	10063343
10063344	10063345	10063346	10063348	10063349	10063350	10070533	10070534	10070535	10070536	10070538
10070539	10070540	10070542	10070544	10070545	10072951	10072952	10072953	10072954	10072955	10072957
10072959	10072960	10073148	10073149	10073150	10073151	10073152	10073153	10073154	10074213	10074214
10074506	10074507	10074509	10074510	10074511	10074512	10074513	10077411	10077412	10077893	10077894
10077895	10077897	10077901	10077903	10077905	10078591	10078592	10078593	10078594	10078595	10079263
10079264	10079266	10079267	10079268	10080195	10082670	10082671	10082672	10082673	10082674	10082675
10082676	10083874	10085437	10085438	10085440	10085441	10085442	10085443	10085444	10085445	10085447
10085452	10085453	10085454	10085455	10085457	10085458	10085459	10085460	10085466	10085468	10085469
10085470	10085471	10085472	10085473	10085474	10085475	10085476	10085477	10085730	10088946	10088947
10088948	10088949	10088950	10088951	10088952	10088954	10088956	10090395	10090396	10090398	10090401
10090402	10090403	10091030	10091031	10091032	10093735	10093737	10093859	10093860	10093861	10093862
10093864	10094088	10094089	10094090	10094091	10094092	10094093	10094094	10097207	10097208	10097210
10097211	10097212	10097213	10097214	10106097	10106098	10106099	10106100	10106101	10106102	10106617
10106619	10106620	10106621	10106622	10106623	10106624	10106625	10108012	10108013	10108014	10108015
10109291	10109292	10109293	10109295	10109296	10109297	10109298	10109299	10109389	10109392	10111046
10111047	10111048	10111049	10111051	10111499	10111500	10111501	10111502	10111503	10111504	10111505
10111506	10112477	10112478	10112479	10112480	10112804	10112805	10112806	10118610	10118611	10118612
10120277	10120279	10120281	10120695	10120696	10120697	10120699	10121072	10121073	10125124	10125126
10125129	10125130	10125155	10126183	10126186	10126187	10126190	10126191	10126192	10126193	10128992
10128993	10128995	10128996	10128997	10128998	10128999	10129000	10129001	10129002	10129003	10129004
10129005	10129006	10129008	10129420	10129421	10129422	10130423	10130424	10130425	10130426	10130428
10133283	10133285	10133286	10133288	10133289	10133290	10134019	10134020	10134021	10134022	10134023
10134024	10134025	10134027	10134029	10134030	10135546	10135547	10135548	10136000	10136003	10137420
10137421	10137422	10137423	10137424	10137425	10137426	10137427	10137428	10137430	10137431	10137432
10137433	10137444	10137445	10137446	10137447	10137448	10137449	10139797	10139798	10139800	10139802
10139804	10139806	10139808	10139836	10139837	10139838	10139839	10139840	10139841	10139842	10139843
10139844	10139845	10139846	10139847	10139848	10139849	10140889	10140891	10140892	10140893	10140895
10140896	10140897	10140898	10140899	10141788	10141789	10141790	10141791	10142274	10143225	10143228
10143229	10143695	10143696	10143697	10144531	10144532	10144908	10144909	10144910	10144911	10144913
10144917	10144918	10150463	10150464	10150465	10150466	10150468	10150469	10150470	10154224	10154225
10154226	10155081	10155082	10155083	10155084	10155085	10158319	10158320	10158322	10158323	10158324
10158855	10158856	10158858	10158859	10158860	10158861	10158862	10158863	10158864	10158865	10158866



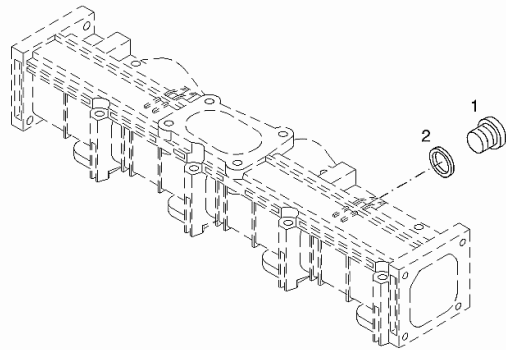
ab Baumontat:
 from month of manufacture:
 a partir mois de montage:
 a partir del mes de fabricacion:

04.06

002

bis Baumontat:
 up to month of manufacture:
 jusque mois de montage:
 hasta el mes de fabricacion:

03.06



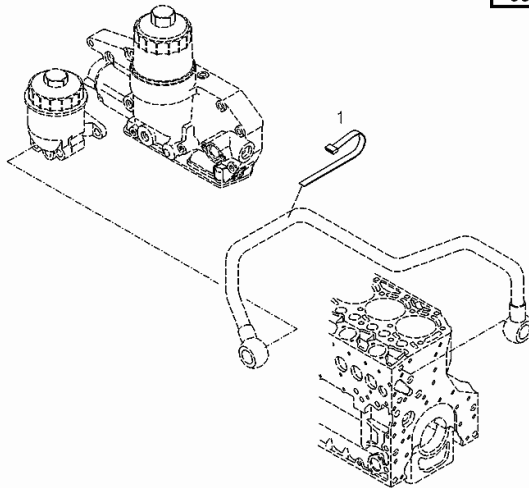
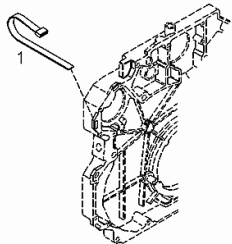
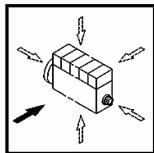
1
2

FASTENINGS

Fig.	Code	QTY	Name
------	------	-----	------

Engine Serial Numbers:

1092657	1092658	1092659	1092660	10010482	10010483	10010484	10011019	10011020	10011021	10011022
10013024	10013025	10013026	10013027	10013028	10013029	10013030	10013031	10013032	10013033	10013034
10013035	10013036	10013037	10013038	10013039	10013040	10013975	10013976	10013977	10013979	10013980
10014266	10014267	10017310	10017311	10017312	10017313	10017314	10017315	10017316	10017317	10017318
10020068	10020070	10020071	10020073	10020074	10020075	10020076	10020077	10020078	10020079	10020080
10020081	10020082	10020083	10020084	10020085	10020871	10026610	10026611	10026612	10026613	10026614
10026615	10026864	10026866	10026867	10026868	10026869	10026870	10026872	10026873	10026874	10026875
10026876	10026877	10026878	10026879	10026880	10027736	10027738	10027739	10027740	10027741	10027742
10027744	10027873	10027874	10027875	10027876	10027877	10027878	10029900	10029901	10029902	10029903
10029904	10029905	10029906	10029907	10029908	10029909	10029910	10029912	10029913	10029914	10029915
10029916	10030579	10030580	10030581	10030582	10030583	10030584	10030585	10030586	10030587	10030609
10030610	10030611	10030612	10030613	10030614	10030615	10030616	10030617	10030831	10030832	10030833
10030835	10048303	10048304	10050481	10050482	10050483	10050484	10050485	10050486	10052806	10052807
10052808	10052809	10052810	10052811	10052813	10061206	10061207	10061209	10061210	10061211	10061212
10061213	10061215	10061216	10061217	10061218	10063179	10063180	10063182	10063183	10063184	10063185
10063186	10063203	10063204	10063205	10063207	10063208	10063209	10063341	10063342	10063343	10063344
10063345	10063346	10063348	10063349	10063350	10070533	10070534	10070535	10070536	10070538	10070539
10070540	10070542	10070544	10070545	10072951	10072952	10072953	10072954	10072955	10072957	10072959
10072960	10073148	10073149	10073150	10073151	10073152	10073153	10073154	10074213	10074214	10074506
10074507	10074509	10074510	10074511	10074512	10074513	10077411	10077412	10077893	10077894	10077895
10077897	10077901	10077903	10077905	10078591	10078592	10078593	10078594	10078595	10079263	10079264
10079266	10079267	10079268	10080195	10082670	10082671	10082672	10082673	10082674	10082675	10082676
10083874	10085437	10085438	10085440	10085441	10085442	10085443	10085444	10085445	10085447	10085452
10085453	10085454	10085455	10085457	10085458	10085459	10085460	10085466	10085468	10085469	10085470
10085471	10085472	10085473	10085474	10085475	10085476	10085477	10085730	10088946	10088947	10088948
10088949	10088950	10088951	10088952	10088954	10088956	10090395	10090396	10090398	10090401	10090402
10090403	10091030	10091031	10091032	10093735	10093737	10093859	10093860	10093861	10093862	10093864
10094088	10094089	10094090	10094091	10094092	10094093	10094094	10097207	10097208	10097210	10097211
10097212	10097213	10097214	10106097	10106098	10106099	10106100	10106101	10106102	10106617	10106619
10106620	10106621	10106622	10106623	10106624	10106625	10108012	10108013	10108014	10108015	10109291
10109292	10109293	10109295	10109296	10109297	10109298	10109299	10109389	10109392	10111046	10111047
10111048	10111049	10111051	10111499	10111500	10111501	10111502	10111503	10111504	10111505	10111506
10112477	10112478	10112479	10112480	10112804	10112805	10112806	10118610	10118611	10118612	10120277
10120279	10120281	10120695	10120696	10120697	10120699	10121072	10121073	10125124	10125126	10125129
10125130	10125155	10126183	10126186	10126187	10126190	10126191	10126192	10126193	10128992	10128993
10128995	10128996	10128997	10128998	10128999	10129000	10129001	10129002	10129003	10129004	10129005
10129006	10129008	10129008	10129420	10129421	10129422	10130423	10130424	10130425	10130426	10130428
10133283	10133285	10133286	10133288	10133289	10133290	10134019	10134020	10134021	10134022	10134023
10134024	10134025	10134027	10134029	10134030	10135546	10135547	10135548	10136000	10136003	10137420
10137421	10137422	10137423	10137424	10137425	10137426	10137427	10137428	10137430	10137431	10137432
10137433	10137444	10137445	10137446	10137447	10137448	10137449	10139797	10139798	10139800	10139802
10139804	10139806	10139808	10139836	10139837	10139838	10139839	10139840	10139841	10139842	10139843
10139844	10139845	10139846	10139847	10139848	10139849	10140889	10140891	10140892	10140893	10140895
10140896	10140897	10140898	10140899	10141788	10141789	10141790	10141791	10142274	10143225	10143228
10143229	10143695	10143696	10143697	10144531	10144532	10144908	10144909	10144910	10144911	10144913
10144917	10144918	10150463	10150464	10150465	10150466	10150468	10150469	10150470	10154224	10154225
10154226	10155081	10155082	10155083	10155084	10155085	10158319	10158321	10158322	10158323	10158324
10158855	10158856	10158858	10158859	10158860	10158861	10158862	10158863	10158864	10158865	10158866



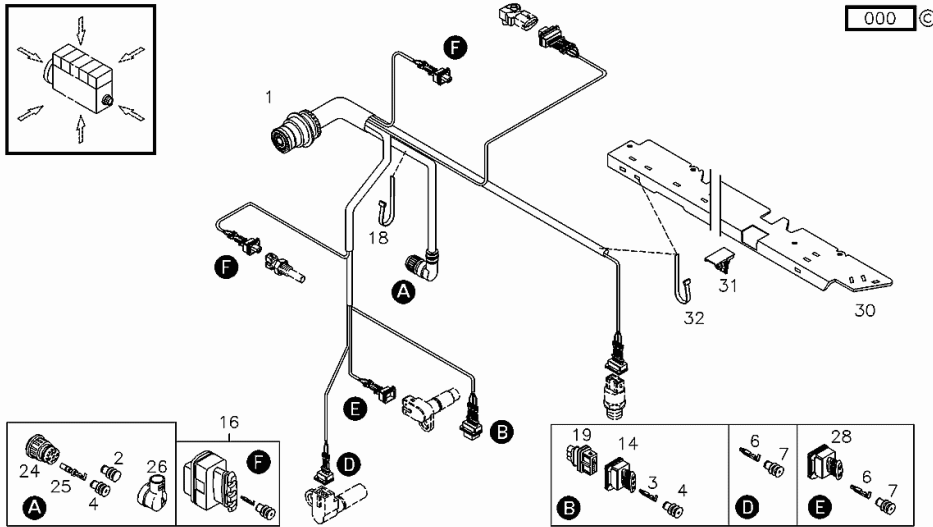
0507 8872

Section: B0 - ENGINE
ENGINE ELECTRICAL SYSTEM

Fig.	Code	QTY	Name
------	------	-----	------

Engine Serial Numbers:

10010482	10010483	10010484	10011019	10011020	10011021	10011022	10013024	10013025	10013026	10013027
10013028	10013029	10013030	10013031	10013032	10013033	10013034	10013035	10013036	10013037	10013038
10013039	10013040	10013975	10013976	10013977	10013979	10013980	10014266	10014267	10017310	10017311
10017312	10017313	10017314	10017315	10017316	10017317	10017318	10020068	10020070	10020071	10020073
10020074	10020075	10020076	10020077	10020078	10020079	10020080	10020081	10020082	10020083	10020084
10020085	10020871	10026610	10026611	10026612	10026613	10026614	10026615	10026864	10026866	10026867
10026868	10026869	10026870	10026872	10026873	10026874	10026875	10026876	10026877	10026878	10026879
10026880	10027736	10027738	10027739	10027740	10027741	10027742	10027744	10027873	10027874	10027875
10027876	10027877	10027878	10029900	10029901	10029902	10029903	10029904	10029905	10029906	10029907
10029908	10029909	10029910	10029912	10029913	10029914	10029915	10029916	10030579	10030580	10030581
10030582	10030583	10030584	10030585	10030586	10030587	10030609	10030610	10030611	10030612	10030613
10030614	10030615	10030616	10030617	10030831	10030832	10030833	10030835	10048303	10048304	10050481
10050482	10050483	10050484	10050485	10050486	10052806	10052807	10052808	10052809	10052810	10052811
10052813	10061206	10061207	10061209	10061210	10061211	10061212	10061213	10061214	10061215	10061216
10061217	10061218	10063179	10063180	10063182	10063183	10063184	10063185	10063186	10063203	10063204
10063205	10063207	10063208	10063209	10063341	10063342	10063343	10063344	10063345	10063346	10063348
10063349	10063350	10070533	10070534	10070535	10070536	10070538	10070539	10070540	10070542	10070544
10070545	10072951	10072952	10072953	10072954	10072955	10072957	10072959	10072960	10073148	10073149
10073150	10073151	10073152	10073153	10073154	10074213	10074214	10074506	10074507	10074509	10074510
10074511	10074512	10074513	10077411	10077412	10077893	10077894	10077895	10077897	10077901	10077903
10077905	10078591	10078592	10078593	10078594	10078595	10079263	10079264	10079266	10079267	10079268
10080195	10082670	10082671	10082672	10082673	10082674	10082675	10082676	10083874	10085437	10085438
10085440	10085441	10085442	10085443	10085444	10085445	10085447	10085452	10085453	10085454	10085455
10085457	10085458	10085459	10085460	10085466	10085468	10085469	10085470	10085471	10085472	10085473
10085474	10085475	10085476	10085477	10085730	10088946	10088947	10088948	10088949	10088950	10088951
10088952	10088954	10088956	10090395	10090396	10090398	10090401	10090402	10090403	10091030	10091031
10091032	10093735	10093737	10093859	10093860	10093861	10093862	10093864	10094088	10094089	10094090
10094091	10094092	10094093	10094094	10097207	10097208	10097210	10097211	10097212	10097213	10097214
10106097	10106098	10106099	10106100	10106101	10106102	10106617	10106619	10106620	10106621	10106622
10106623	10106624	10106625	10108012	10108013	10108014	10108015	10109291	10109292	10109293	10109295
10109296	10109297	10109298	10109299	10109389	10109392	10111046	10111047	10111048	10111049	10111051
10111499	10111500	10111501	10111502	10111503	10111504	10111505	10111506	10112477	10112478	10112479
10112480	10112804	10112805	10112806	10118610	10118611	10118612	10120277	10120279	10120281	10120695
10120696	10120697	10120699	10121072	10121073	10125124	10125126	10125129	10125130	10125155	10126183
10126186	10126187	10126190	10126191	10126192	10126193	10128992	10128993	10128995	10128996	10128997
10128998	10128999	10129000	10129001	10129002	10129003	10129004	10129005	10129006	10129008	10129420
10129421	10129422	10130423	10130424	10130425	10130426	10130428	10133283	10133285	10133286	10133288
10133289	10133290	10134019	10134020	10134021	10134022	10134023	10134024	10134025	10134027	10134029
10134030	10135546	10135547	10135548	10136000	10136003	10137420	10137421	10137422	10137423	10137424
10137425	10137426	10137427	10137428	10137430	10137431	10137432	10137433	10137444	10137445	10137446
10137447	10137448	10137449	10139797	10139798	10139800	10139802	10139804	10139806	10139808	10139836
10139837	10139838	10139839	10139840	10139841	10139842	10139843	10139844	10139845	10139846	10139847
10139848	10139849	10140889	10140891	10140892	10140893	10140895	10140896	10140897	10140898	10140899
10141788	10141789	10141790	10141791	10142274	10143225	10143228	10143229	10143695	10143696	10143697
10144531	10144532	10144908	10144909	10144910	10144911	10144913	10144917	10144918	10150463	10150464
10150465	10150466	10150468	10150469	10150470	10154224	10154225	10154226	10155081	10155082	10155083
10155084	10155085	10158319	10158321	10158322	10158323	10158324	10158325	10158856	10158858	10158859
10158860	10158861	10158862	10158863	10158864	10158865	10158866	10158867	10158868	10158869	10159389

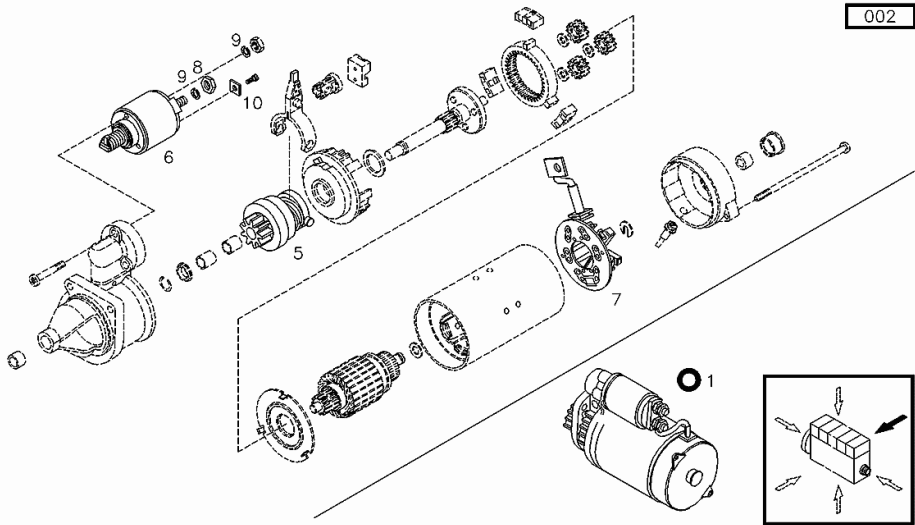


0507 8928

Section: B0 - ENGINE
STARTER

Fig.	Code	QTY	Name
------	------	-----	------

10293990	10293991	10293992	10297367	10297368	10297369	10297370	10297371	10297373	10297374	10297375
10297376	10297377	10297378	10297379	10297380	10297381	10297382	10297383	10297384	10297385	10297386
10297387	10297388	10297389	10297390	10297391	10297392	10297393	10297394	10297395	10297396	10297814
10297815	10297816	10297817	10297818	10297819	10297820	10297821	10297822	10297823	10297824	10297825
10297827	10297828	10297829	10297830	10297832	10297833	10297835	10297836	10297837	10297839	10297840
10297841	10297843	10297844	10297845	10297846	10297847	10297848	10297851	10297853	10297854	10297855
10297856	10297857	10297858	10297860	10297861	10297862	10297863	10297864	10297865	10297866	10297867
10297868	10468013	10468014	10468015	10468016	10468017	10468018	10468019	10468020	10468022	10468024
10468027	10468028	10468241	10468242	10468243	10468244	10468246	10468247	10468249	10468250	10468251
10468252	10468253	10468254	10487461	10487462	10487463	10487464	10487465	10487466	10487467	10487468
10487469	10487470	10487471	10487472	10487473	10487474	10487476	10487477	10487478	10487479	10487480
10490610	10490611	10490612	10490613	10490614	10490615	10490616	10490617	10490619	10490620	10490622
10490623	10490624	10490625	10490757	10490758	10490759	10490760	10490761	10490762	10490763	10490764
10490766	10490768	10490769	10490770	10490771	10490772	10490773	10490774	10490775	10490777	10490778
10490779	10490780	10490781	10490783	10490785	10490786	10490901	10490902	10490904	10490905	10490909
10490911	10490912	10521065	10521066	10521068	10521069	10521070	10521071	10521072	10521073	10521074
10521075	10521077	10521078	10521079	10521080	10521081	10521082	10521083	10521085	10521086	10521087
10521088	10521089	10521090	10521091	10521092	10521093	10521094	10521095	10521096	10521097	10521098
10521099	10521100	10521101	10521102	10521103	10521104	10521105	10521106	10521107	10527999	10528000
10528001	10528002	10528003	10528004	10528005	10528006	10528007	10528008	10528009	10528010	10528011
10528012	10528013	10528014	10528015	10528016	10528017	10528019	10528020	10528021	10528022	10528023
10528024	10528025	10528026	10528027	10528028	10533880	10533881	10533882	10533883	10533884	10533885
10533886	10533887	10533888	10533889	10533890	10533891	10533892	10533893	10533894	10533895	10533896
10533897	10533898	10534855	10534856	10534857	10534858	10534859	10534860	10534861	10534862	10534863
10534864	10534865	10534866	10534867	10534868	10534869	10534870	10534871	10534872	10534873	10534874
10534875	10534876	10534877	10534878	10534879	10534880	10534881	10534882	10534883	10534884	10555711
10555713	10555714	10555715	10555716	10555717	10555719	10555720	10555722	10555723	10555724	10555725
10555726	10555728	10555729	10555730	10555731	10555734	10555735	10555736	10555737	10555740	10555741
10555742	10571268	10571269	10571270	10571271	10571272	10571273	10571274	10571275	10571276	10579570
10579571	10579572	10579573	10579574	10579575	10579576	10579577	10579578	10579579	10579580	10579582
10579584	10579585	10579586	10579587	10579588	10579589	10579590	10587082	10587083	10587840	10594566
10594567	10594568	10594569	10594570	10594571	10606629	10606630	10606631	10606632	10606633	10606634
10606635	10606636	10606637	10606638	10606639	10606640	10606642	10606643	10606646	10606647	10606648
10606649	10607132	10607133	10607134	10607135	10607136	10607137	10613103	10613105	10628200	10628201
10628204	10628206	10628207	10628212	10628213	10628214	10628216	10661640	10661641	10661642	10661643

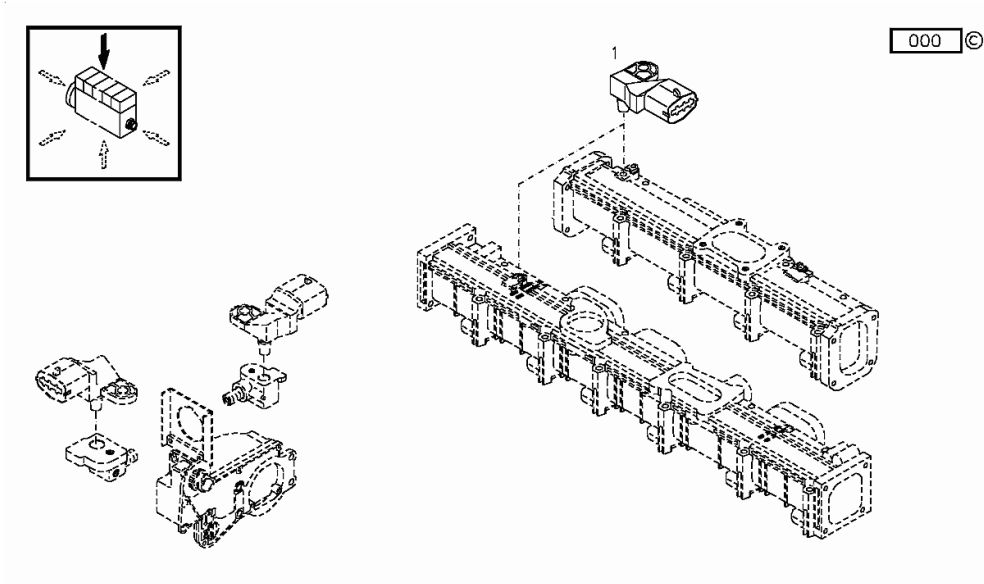


0507 2725

1	01180928	1	starter motor NEW SPARE PART RECONDITIONED SPARE PART, SEE POS. (A) (A) POS. 950 H 821970-VB4R12VX3KW
5	01340465	1	pinion
6	01319750	1	relay
7	01319759	1	support
8	01318661	1	nut
9	01318434	2	spring washer
10	01320794	1	small plate

Section: B0 - ENGINE
OIL PRESSUR.SWITCH

Fig.	Code	QTY	Name
1	04213838	1	sensor

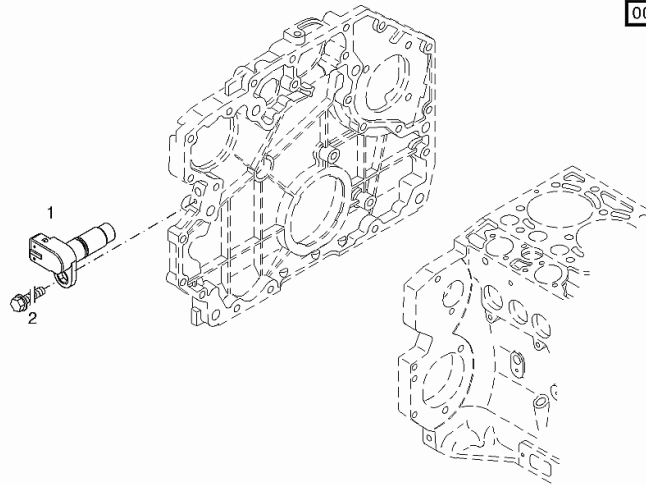
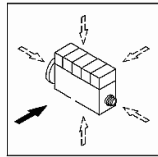


IMPULSE TRANSMITTER

Fig.	Code	QTY	Name
------	------	-----	------

10293990	10293991	10293992	10297367	10297368	10297369	10297370	10297371	10297373	10297374	10297375
10297376	10297377	10297378	10297379	10297380	10297381	10297382	10297383	10297384	10297385	10297386
10297387	10297388	10297389	10297390	10297391	10297392	10297393	10297394	10297395	10297396	10297814
10297815	10297816	10297817	10297818	10297819	10297820	10297821	10297822	10297823	10297824	10297825
10297827	10297828	10297829	10297830	10297832	10297833	10297835	10297836	10297837	10297839	10297840
10297841	10297843	10297844	10297845	10297846	10297847	10297848	10297851	10297853	10297854	10297855
10297856	10297857	10297858	10297860	10297861	10297862	10297863	10297864	10297865	10297866	10297867
10297868	10468013	10468014	10468015	10468016	10468017	10468018	10468019	10468020	10468022	10468024
10468027	10468028	10468241	10468242	10468243	10468244	10468246	10468247	10468249	10468250	10468251
10468252	10468253	10468254	10487461	10487462	10487463	10487464	10487465	10487466	10487467	10487468
10487469	10487470	10487471	10487472	10487473	10487474	10487476	10487477	10487478	10487479	10487480
10490610	10490611	10490612	10490613	10490614	10490615	10490616	10490617	10490619	10490620	10490622
10490623	10490624	10490625	10490757	10490758	10490759	10490760	10490761	10490762	10490763	10490764
10490766	10490768	10490769	10490770	10490771	10490772	10490773	10490774	10490775	10490777	10490778
10490779	10490780	10490781	10490783	10490785	10490786	10490901	10490902	10490904	10490905	10490909
10490911	10490912	10521065	10521066	10521068	10521069	10521070	10521071	10521072	10521073	10521074
10521075	10521077	10521078	10521079	10521080	10521081	10521082	10521083	10521085	10521086	10521087
10521088	10521089	10521090	10521091	10521092	10521093	10521094	10521095	10521096	10521097	10521098
10521099	10521100	10521101	10521102	10521103	10521104	10521105	10521106	10521107	10527999	10528000
10528001	10528002	10528003	10528004	10528005	10528006	10528007	10528008	10528009	10528010	10528011
10528012	10528013	10528014	10528015	10528016	10528017	10528019	10528020	10528021	10528022	10528023
10528024	10528025	10528026	10528027	10528028	10533880	10533881	10533882	10533883	10533884	10533885
10533886	10533887	10533888	10533889	10533890	10533891	10533892	10533893	10533894	10533895	10533896
10533897	10533898	10534855	10534856	10534857	10534858	10534859	10534860	10534861	10534862	10534863
10534864	10534865	10534866	10534867	10534868	10534869	10534870	10534871	10534872	10534873	10534874
10534875	10534876	10534877	10534878	10534879	10534880	10534881	10534882	10534883	10534884	10555711
10555713	10555714	10555715	10555716	10555717	10555719	10555720	10555722	10555723	10555724	10555725
10555726	10555728	10555729	10555730	10555731	10555734	10555735	10555736	10555737	10555740	10555741
10555742	10571268	10571269	10571270	10571271	10571272	10571273	10571274	10571275	10571276	10579570
10579571	10579572	10579573	10579574	10579575	10579576	10579577	10579578	10579579	10579580	10579582
10579584	10579585	10579586	10579587	10579588	10579589	10579590	10587082	10587083	10587840	10594566
10594567	10594568	10594569	10594570	10594571	10606629	10606630	10606631	10606632	10606633	10606634
10606635	10606636	10606637	10606638	10606639	10606640	10606642	10606643	10606646	10606647	10606648
10606649	10607132	10607133	10607134	10607135	10607136	10607137	10613103	10613105	10628200	10628201
10628204	10628206	10628207	10628212	10628213	10628214	10628216	10661640	10661641	10661642	10661643

000 ©



1	01182834	1	switch
2	01181439	1	screw EN 1662 -F-M6X16-10.9-ZNAL-A

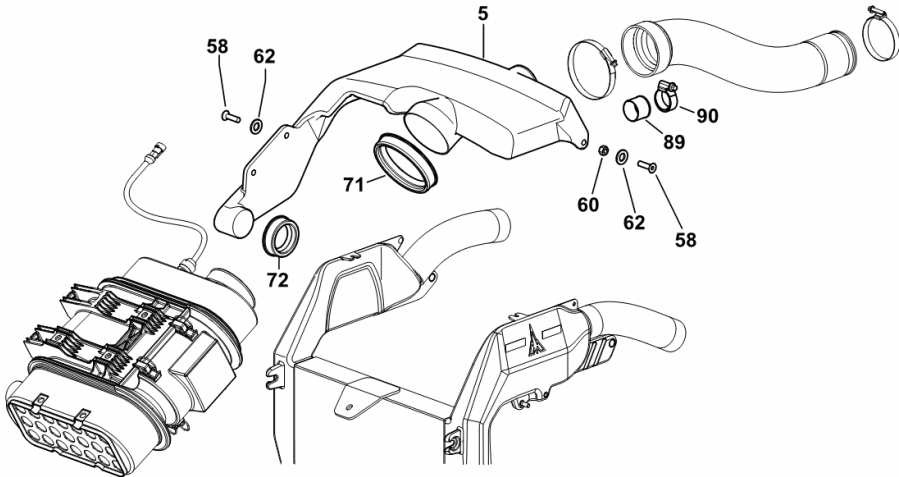
AIR CLEANER HOSE

Fig.	Code	QTY	Name
------	------	-----	------

Notes:

[Agrotron K 100 -> 8156 1001]

5	0.014.2840.4/30	1	canal
58	2.0112.210.2	5	screw m 8 p.1.25 x 28
60	2.1012.005.7	2	nut m 8
62	2.1310.004.2	5	flat washer 8.5
71	0.014.4717.0	1	gasket (1280 <-)
71	0.014.5354.0/10	1	sleeve (-> 1275)
72	0.014.4718.0	1	gasket (1280 <-)
72	0.014.5355.0/10	1	sleeve (-> 1275)
89	04454357	2	tube
90	2.6851.003.0	1	clamp Ø 25/40



K9_B1683_00_0-D-001

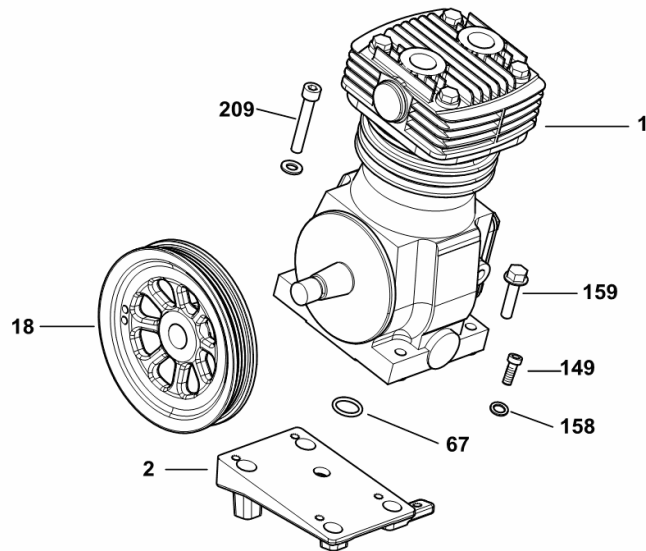
AIR COMPRESSOR

Fig.	Code	QTY	Name
------	------	-----	------

Notes:

[Agrotron K 100 -> 8156 1001]

1	04414768	1	gear compressor kpl. ☞ 04414768
2	04453973/30	1	support
18	04452402/10	1	pulley
67	01173526	1	ring 22.7 x 30 x 2 (1042 - 1067)
67	2.1532.069.0	1	rubber plug (-> 1020)
149	2.0312.208.2	2	screw m 8 p.1.25 x 25
158	2.1310.004.2	6	flat washer 8.5
159	2.0312.212.2	6	screw m 8 p.1.25 x 35 (1897 <-)
159	01143362	4	screw (-> 1930)
209	04454989	2	screw (2232 <-)
209	01101405	2	screw (-> 2219)



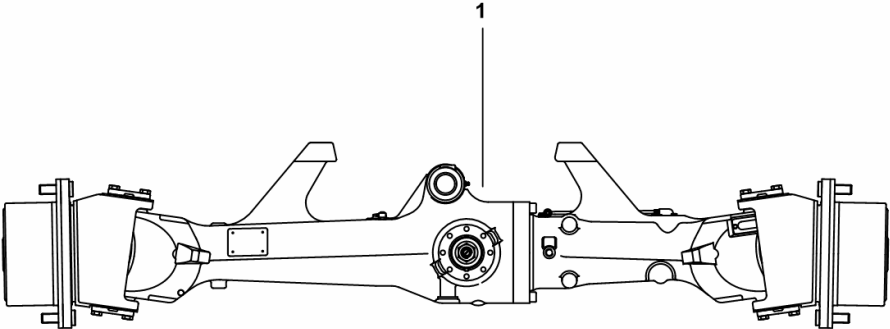
K9_B1589_15_0-A-001

Section: F0 - FRONT AXLE
DRIVEN FRONT AXLE

Fig.	Code	QTY	Name
------	------	-----	------

Notes:
[Agrotron K 100 -> 8156 1001]

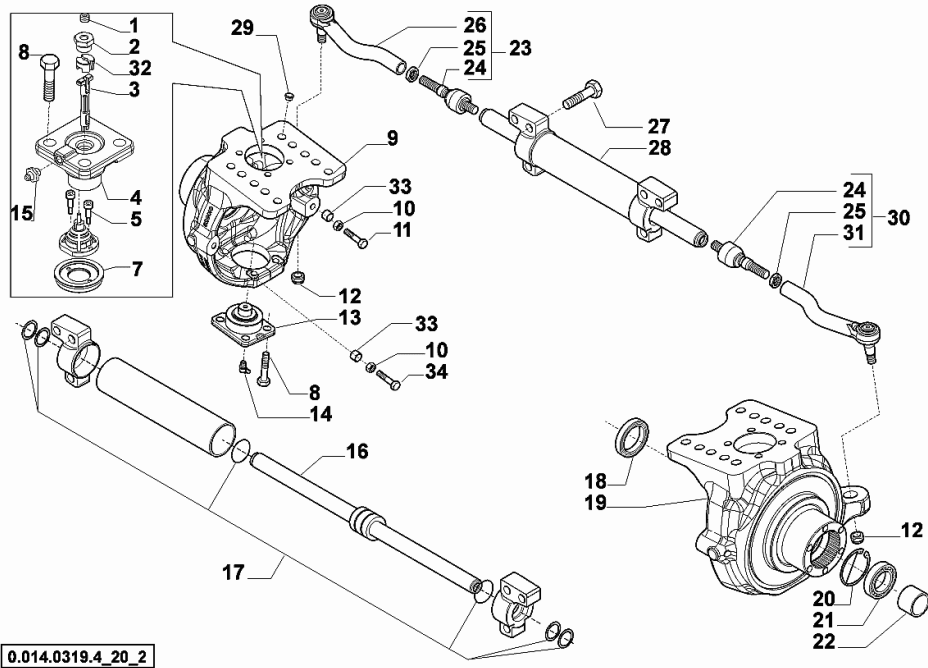
1	9.04412802	1	front axle
			☞ 9.04412802
			☞ 9.04412802
			☞ 9.04412802
			☞ 9.04412802
			☞ 9.04412802
			☞ 9.04412802
			☞ 9.04412802
			☞ 9.04412802
			☞ 9.04412802



K9_04412802-A-001

Section: F0 - FRONT AXLE
STEERING CYLINDER - [641392]

Fig.	Code	QTY	Name
1	0.900.0894.3	2	plug
2	0.900.0082.4	2	screw m 20 p.1.5
3	0.900.0965.7	1	smau pin
4	0.900.0502.5	2	pin
5	0.900.0082.7	2	screw m 4 x 10
7	0.900.0865.2	1	cover
8	0.900.0082.9	16	screw m 14 x 35
9	0.900.0083.0	1	cover sx/lh/li
10	0.900.0105.8	4	nut m 14
11	0.900.0948.6	2	screw m 14
12	0.900.0083.3	2	nut m 20 p.1
13	0.900.0083.4	2	pin
14	0.900.0083.5	2	lubricator m 6 p.1, 45°
15	0.900.0542.4	1	lubricator m 6 p.1
16	0.900.0083.7	1	stem
17	0.900.0083.8	1	gasket set
18	0.900.0083.9	2	'o' ring
19	0.900.0084.0	1	cover dx/rh/re
20	0.900.0084.1	2	circlip
21	0.900.0084.2	2	bearing
22	0.900.0084.3	2	spacer
23	0.900.0084.4	1	rod sx/lh/li COMPLETE (25, 26 & 27)
24	0.900.0084.5	2	ball joint
25	0.900.0084.6	2	nut m 24x10
26	0.900.0525.2	1	rod sx/lh/li
27	0.900.0791.2	6	screw m18x70
28	0.900.0527.5	1	jack
29	0.900.0085.0	8	plug
30	0.900.0085.1	1	rod dx/rh/re COMPLETE (24, 25 & 31)
31	0.900.0525.1	1	rod dx/rh/re
32	0.900.0502.7	1	washer
33	0.900.0948.7	4	sleeve
35	0.900.0791.4	2	screw M14x60

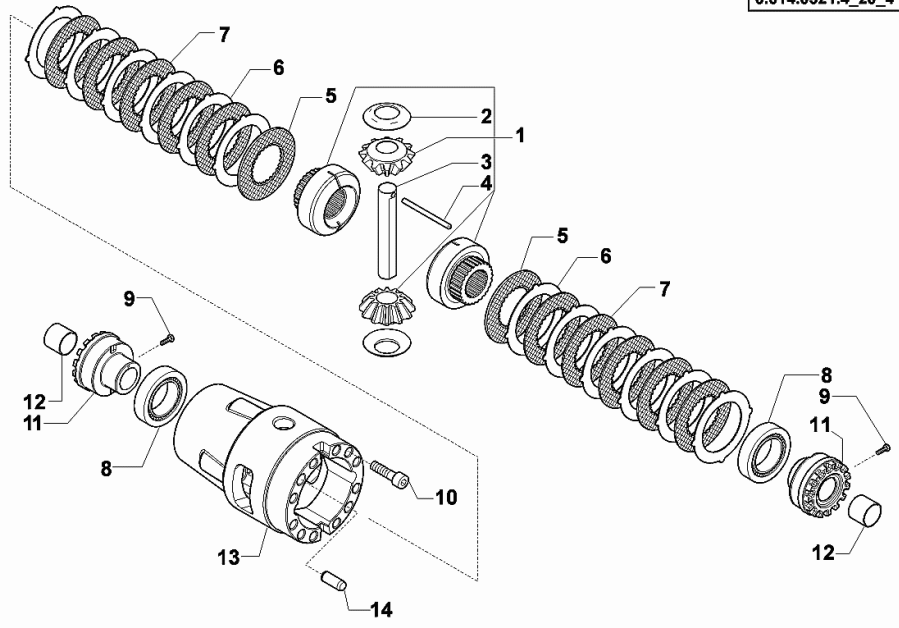


0.014.0319.4_20_2

Section: F0 - FRONT AXLE
DIFFERENTIAL - [641393]

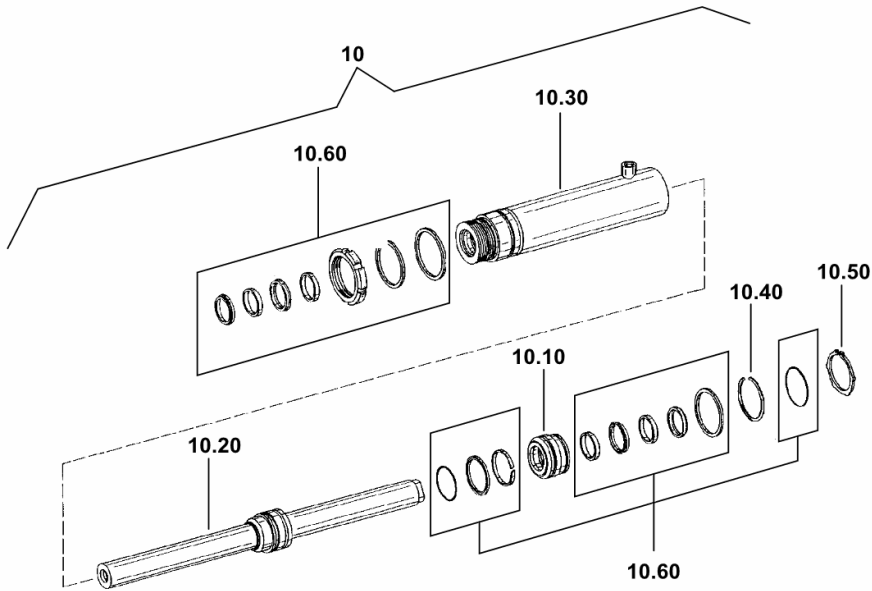
Fig.	Code	QTY	Name
1	0.900.0966.7	1	set of gear COMPLETE (2, 3, 4)
2	0.900.0087.4	2	thrust plate
3	0.900.0087.5	1	pin
4	0.900.0087.6	1	pin D7x91
5	0.900.0106.1	2	washer
6	0.900.0106.2	12	washer
7	0.900.0106.3	10	washer
8	0.900.0088.4	2	bearing
9	0.900.0088.1	2	screw m 6 x 25
10	0.900.0088.0	10	screw m 12 x 35
11	0.900.0088.5	2	ring nut M94x1.5
12	0.900.0088.6	2	bushing
13	0.900.0106.4	1	differential carrier
14	0.900.0088.3	2	pin Ø 12 x 28

0.014.0321.4_20_4



HYDRAULIC CYLINDER - DRIVEN STEERING AXLE

Fig.	Code	QTY	Name
10	04436254	1	cylinder
10.10	04415665	1	bushing
10.20	0.010.3337.2	1	rod
10.30	0.010.3339.0	1	flexible hose
10.40	04415668	1	circlip
10.50	0.010.3340.2	1	ring
10.60	04415670	1	seal ring kit



9.04412802_8

Agrotron K 100 -> 8156 1001

M0 - FRONT PTO

GENERAL

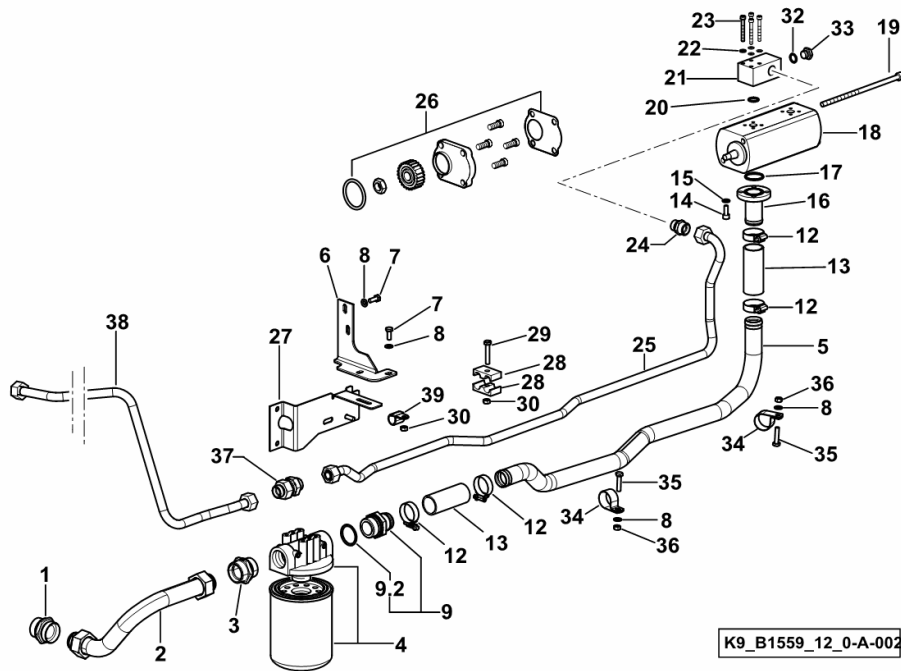
P.T.O. FRONT.....	M0.00.0 (1)
P.T.O. SHAFT.....	04453333.A
P.T.O. SHAFT.....	04453333.B
P.T.O. SHAFT.....	04453333.C
P.T.O. SHAFT.....	04453333.D

OIL SUPPLY - FILTER

Fig.	Code	QTY	Name
------	------	-----	------

Notes:

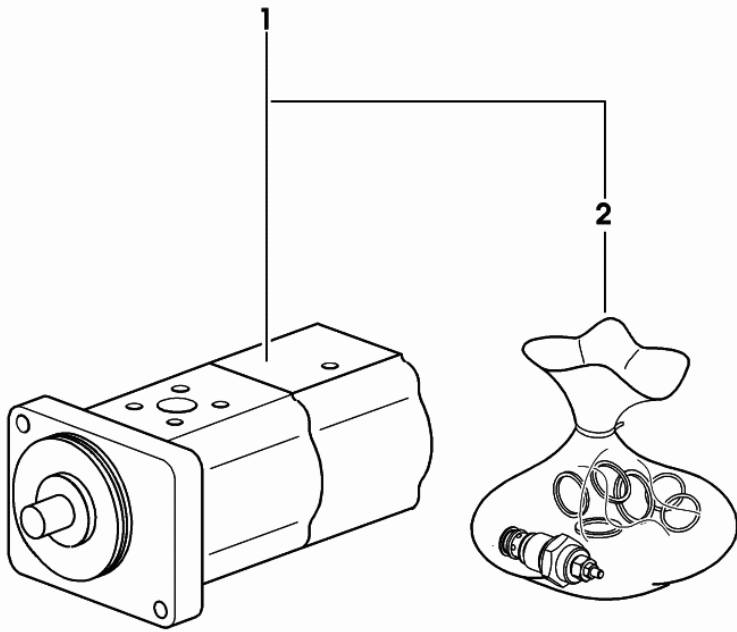
- WITH FIXED AXLE AND WITHOUT HYDRAULIC TRAILER BRAKING [Agrotron K 100 -> 8156 1001] -> 1875



1	01180563	1	tongue m 42x2
2	04453872/10	1	tube
3	04454047	1	pipe fitting
4	04453971	1	filter
			☞ 04453971
5	04453871/10	1	tube
6	04453972	1	bracket
7	01112322	4	screw m 8 p.1.25 x 20
8	2.1310.004.2	5	flat washer 8.5
9	04454145.4	1	tongue
9.2	04454143	1	'o' ring
12	2.6851.004.0	4	clamp Ø 32/50
13	04434054	2	rubber sleeve
14	2.0312.206.2	4	screw m 8 p 1.25 x 20
15	2.1474.009.2	4	spring washer 8
16	04454596	1	flange
17	2.1532.091.0	1	ring 34.60 x 2.62
18	04454986	1	hydraulic pump
19	04454597/10	2	screw
20	06214809	1	'o' ring 18x2,5
21	04450715	1	flange
22	2.1474.007.2	4	washer 6, d128
23	2.0312.116.2	4	screw m 6 p.1 x 50
24	01177450	1	pipe fitting m 22 p.1.5x18
25	04453649/20	1	tube
26	00290646	1	flange
			☞ 00290646
27	04453558/50	1	bracket
28	01178214	2	terminal
29	2.0112.217.2	1	screw m 8 p.1.25 x 45
30	2.1011.105.2	1	nut m 8 p.1.25
32	01118700	1	'o' ring Ø 16 x 20
33	2.3110.404.2	1	plug m 16 p.1.5
34	2.6839.050.2	2	clamp Ø 35
35	2.0114.213.2	2	screw m 8 x 35
36	2.1011.105.2	2	nut m 8 p.1.25
37	01127360	1	tongue l18 d3902 (3027 <-)
37	04455372	1	valve (2973 - 3015)
38	04454789	1	piping
39	01172635	1	hose clip

HYDRAULIC PUMP

Fig.	Code	QTY	Name
1	04453684	1	hydraulic pump
2	0.900.0456.6	1	gasket set



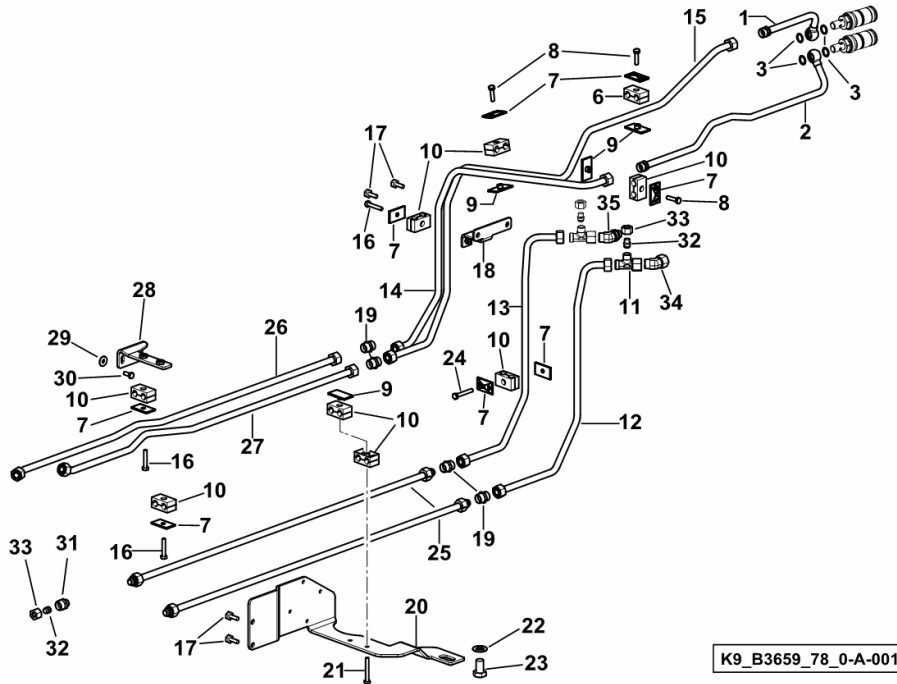
04453684

FRONT LIFT - HYDRAULIC SYSTEM

Fig.	Code	QTY	Name
------	------	-----	------

Notes:

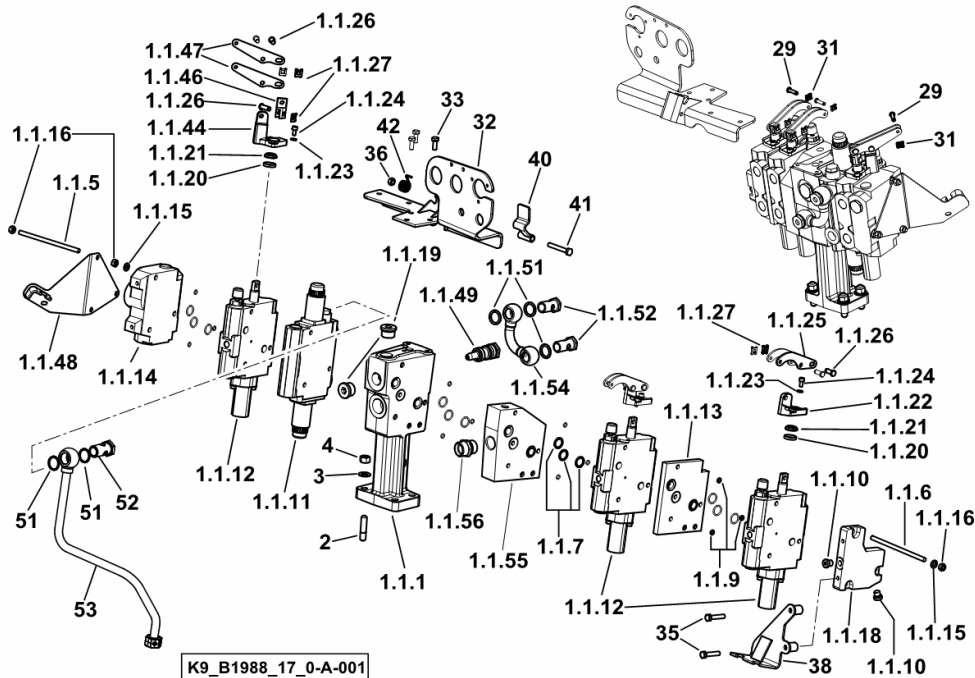
- FOR TYPES WITH FRONT LOADER [Agrotron K 100 -> 8156 1001]



1	04454771	1	pipng
2	04454770	1	pipng
3	2.1560.013.0	4	gasket 18.2x22
6	01175671	2	terminal 12-15
7	01175670	8	small plate
8	2.0112.213.2	3	screw m 8 p.1.25 x 35
9	01180338	4	small plate
10	01175727	16	terminal
11	04454966	2	tongue
12	04454775	1	pipng
13	04454774	1	pipng
14	04454772	1	pipng
15	04454773	1	pipng
16	2.0112.217.2	3	screw m 8 p.1.25 x 45
17	2.0112.309.2	4	screw m 10 p.1.5 x 25
18	04454519	1	support
19	01116711	4	tongue L 15
20	04453388/20	1	support
21	2.0112.221.2	1	screw m 8 p.1.25 x 60
22	2.1310.011.2	1	flat washer 19x34
23	2.0112.715.2	1	screw m 18 p.2.5x40
24	2.0112.220.2	1	screw m 8 p.1.25x55
25	04454688	2	pipng
26	04454780/10	1	pipng
27	04454779/10	1	pipng
28	0.014.9721.3	1	support
29	2.1312.004.2	2	washer 8.4
30	2.0112.207.2	2	screw m 8 p 1.25 x 20
31	04454778	1	tongue
32	01180565	3	plug h 310
33	01179539	3	nut CL 12 H310
34	04454796	1	tongue
35	04454797	1	tongue

6-WAY AUXILIARY DISTRIBUTOR

Fig.	Code	QTY	Name
29	2.1699.497.2/20	3	pin
31	01175725	3	small spring 6, d128
32	04452891.3/50	1	support
33	2.0114.207.2	3	screw m 8 p.1.25 x 20
35	2.0112.215.2	2	screw m 8 p.1.25 x 40
36	01136452	1	nut vm 8 d980
38	04455402.3/10	1	support
40	04451512.4	1	lever
41	2.0112.220.2	1	screw m 8 p.1.25x55
42	04315063	1	spring
51	2.1561.012.0	6	gasket
52	2.3335.009.2	1	pipe union m 22 p.1.5 x 39
53	04454438.3	1	pipng



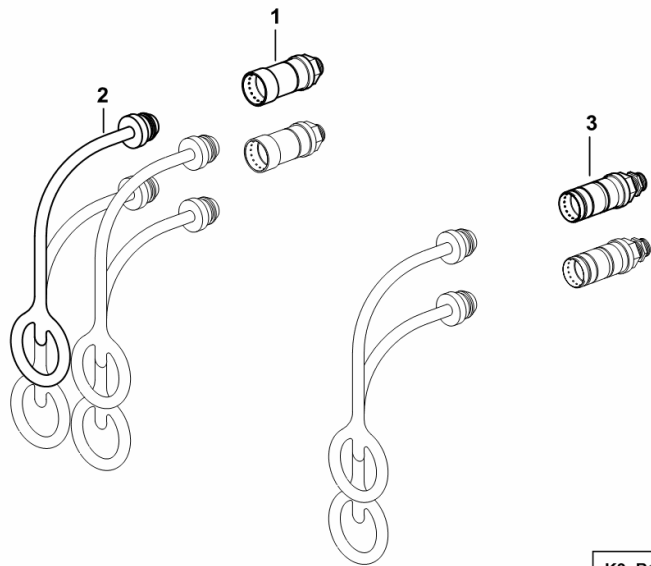
6-WAY QUICK COUPLERS

Fig.	Code	QTY	Name
------	------	-----	------

Notes:

[Agrotron K 100 -> 8156 1001]

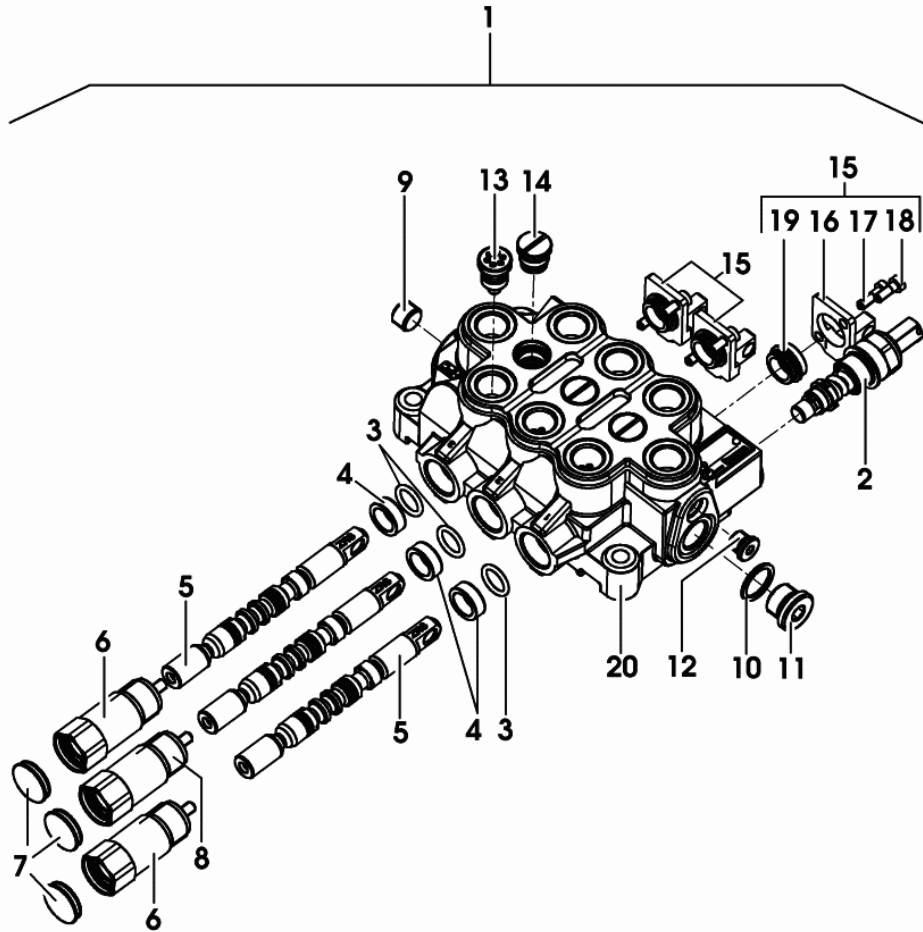
1	04453631	4	socket (1983 <-) ☞ 04453631
1	04453631	2	socket (-> 1984) ☞ 04453631
2	04416003	6	guard
3	04433073	2	coupling ☞ 04433073



K9_B1688_43_0-A-001

DISTRIBUTOR

Fig.	Code	QTY	Name
1	04453275	1	distributor
2	0.900.0301.4	1	needle
3	0.010.3605.2	3	'o' ring
4	0.010.3609.0	3	spacer
5	0.900.0301.5	3	slider
6	0.900.0301.6	2	connection
7	0.900.0301.7	3	plug
8	0.900.0301.8	1	connection
9	0.900.0020.5	1	plug
10	0.010.3607.2	1	washer
11	0.010.3607.0	1	plug
12	0.900.0020.4	1	plug
13	0.900.0301.9	3	plug
14	0.010.3615.1	3	valve
15	0.900.0302.3	3	lever
16	0.900.0302.0	3	support
17	0.900.0302.1	3	screw
18	0.900.0302.2	3	screw
19	0.900.0071.4	3	spacer
20	0.900.0302.4	1	body



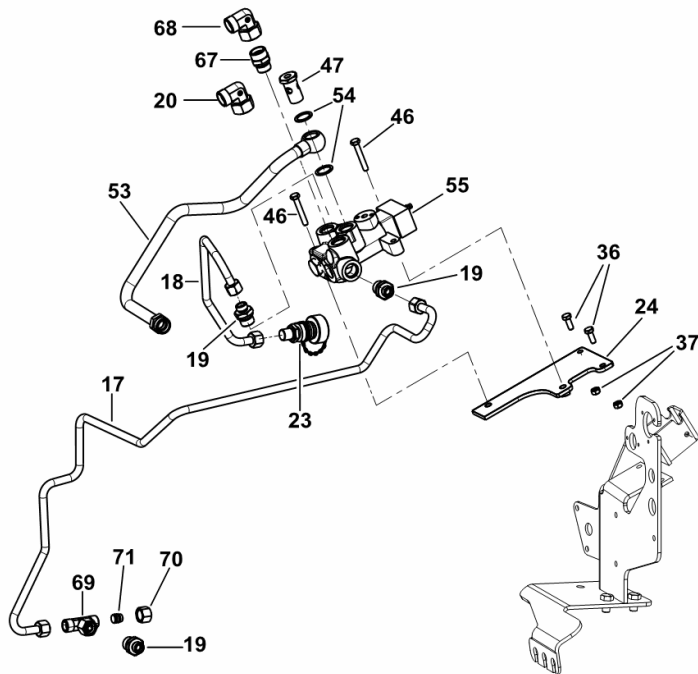
04453275

TRAILER BRAKE VALVE FOR 8-WAY DIRECTIONAL CONTROL VALVE

Fig.	Code	QTY	Name
------	------	-----	------

Notes:

- FOR TYPES WITH HYDRAULIC TRAILER BRAKING (EXPORT F) [Agrotron K 100 -> 8156 1001]

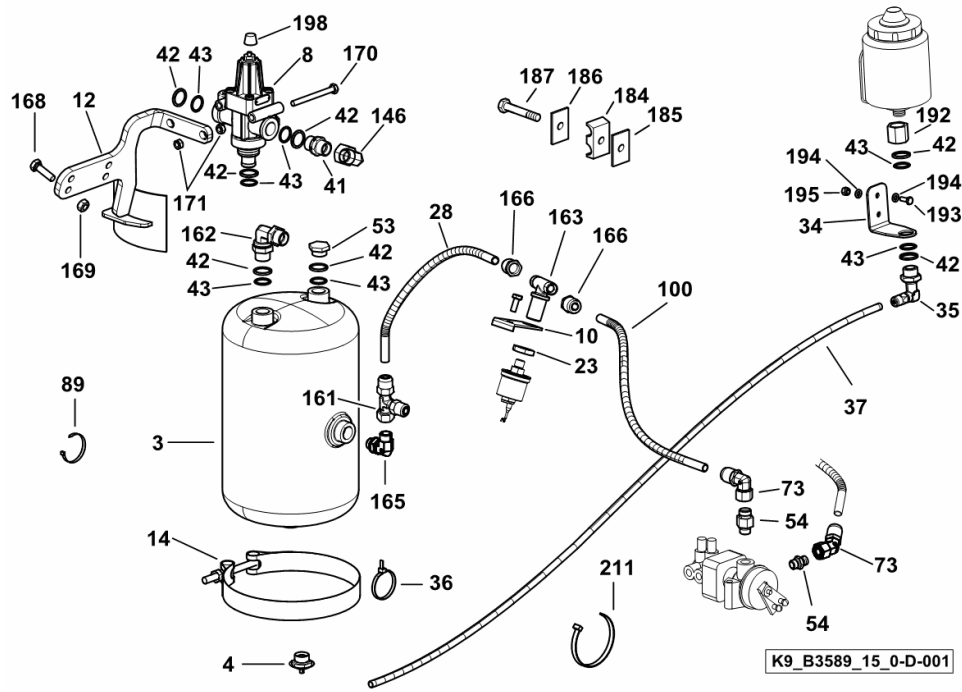


K9_B1789_00_0-B-001

17	04453638	1	tube
18	04453950	1	tube
19	04428400	3	pipe fitting
20	01179537	1	pipe fitting BL 12 H
23	04307317	1	coupling
24	04453273/10	1	bracket
36	2.0114.207.2	2	screw m 8 p.1.25 x 20
37	2.1011.105.2	2	nut m 8 p.1.25
46	2.0114.217.2	2	screw m 8 p.1.25 x 50
47	2.3335.009.2	1	pipe union m 22 p.1.5 x 39
53	04453851/10	1	pipng
54	2.1560.018.0	2	gasket 22.2 x 29
55	04452780	1	valve
			☞ 04452780
67	01177450	1	pipe fitting m 22 p.1.5x18
68	01172993	1	pipe fitting BL 18 (2170 <-)
68	01144818	1	tongue (-> 2208)
69	01144831	1	pipe fitting T
70	01179539	1	nut CL 12 H310
71	01180565	1	plug h 310

PNEUMATIC TRAILER BRAKING

Fig.	Code	QTY	Name
211	01173143	3	clamp 4,6x280



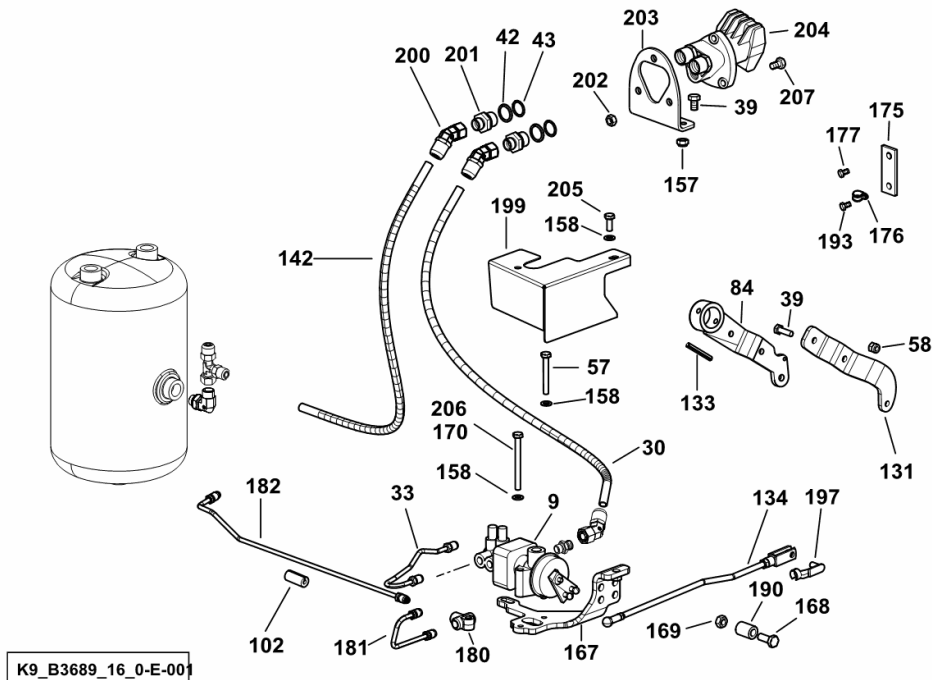
PNEUMATIC TRAILER BRAKING

Fig.	Code	QTY	Name
------	------	-----	------

Notes:

- WITH HYDRAULIC BRAKING FOR ITALIAN TRAILER AND FOR MEDIUM HYDRAULIC SYSTEM [Agrotron K 100 -> 8156 1001]

9	04419935	1	valve ☞ 04419935
30	04453999/10	1	tube
33	04454439/20	1	tube
39	2.0114.209.2	3	screw m 8 x 25
42	02523701	14	ring
43	02523700	14	ring
57	2.0114.219.2	1	screw m 8 p.1.25 x 60
58	2.1120.005.2	2	nut m 8 p.1.25
84	04453920	0	lever
102	01218045	3	rubber plug
131	04453917/20	1	lever
133	2.1630.617.2	1	pin 6x50
134	04453919/20	1	gear lever
142	04454063/10	1	tube
157	2.1120.005.2	1	nut m 8 p.1.25
158	2.1310.004.2	6	flat washer 8.5
167	04453918.2/10	1	support
168	2.0114.309.2	4	screw m 10 p 1.25 x 25
169	2.1011.106.2	4	nut m 10 p.1.5
170	2.0112.225.2	4	screw m 8 p.1.25 x 80
175	04424522.4	1	support
176	01211882	1	collar
177	2.0114.204.2	1	screw m 8 x 14
180	03499196	1	pipe fitting T
181	04454071	1	tube
182	04454072/10	1	pipng
183	04455458	1	pipng
190	04453932/10	2	sleeve
193	2.0114.005.2	3	screw m 6 p.1.0 x 16
197	2.1673.007.2	1	pin
199	04454552.2	1	cover
200	04437700	2	plug
201	01143570	2	pipe fitting m 22 x 1.5
202	2.1011.106.2	3	nut m 10 p.1.5
203	04454444	1	support
204	04426782	1	connection
205	2.0112.207.2	1	screw m 8 p 1.25 x 20
206	2.0112.226.2	1	screw m 8 p.1.25 x 85
207	2.0114.311.2	3	screw m 10 p.1.25 x 30



TRAILER BRAKE VALVE

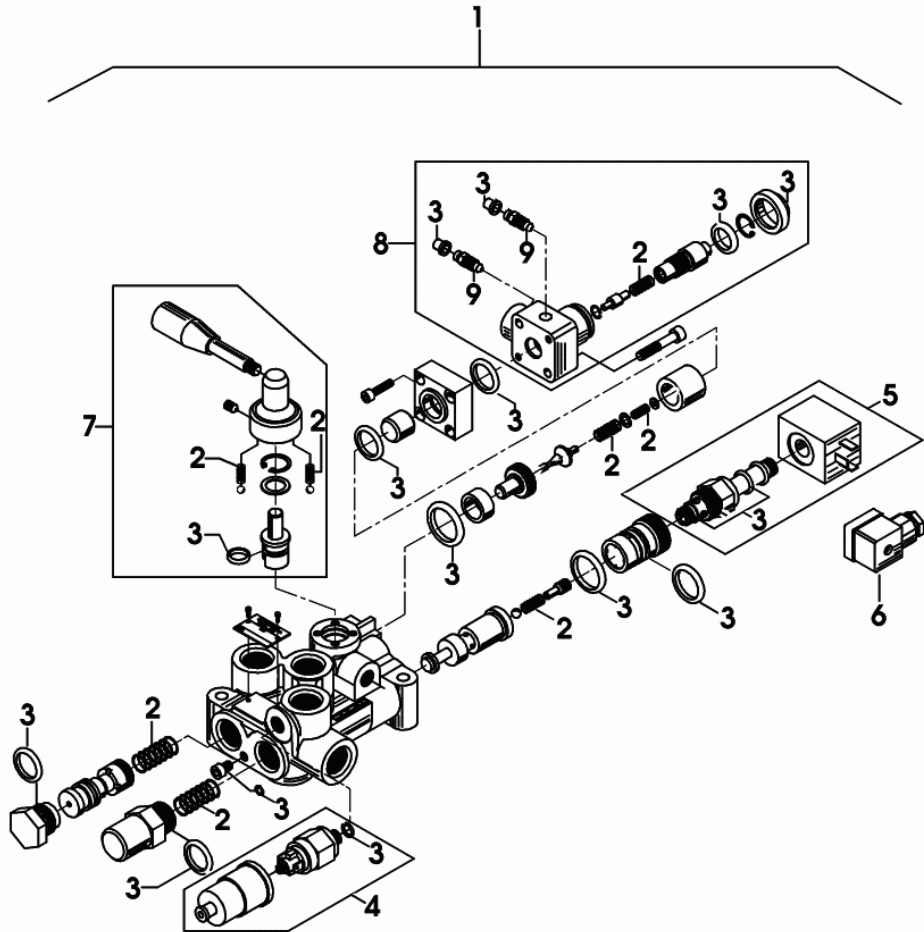


Fig.	Code	QTY	Name
1	04453588	1	valve
2	0.010.3494.0	1	spring
3	0.010.3493.2	1	seal ring kit
4	0.900.0064.4	1	pressure switch
5	0.900.0064.6	1	electro valve
6	0.900.0064.7	1	connection
7	0.900.0064.1	1	lever
8	0.900.0134.8	1	small block
9	0.900.0064.3	2	screw

04453588

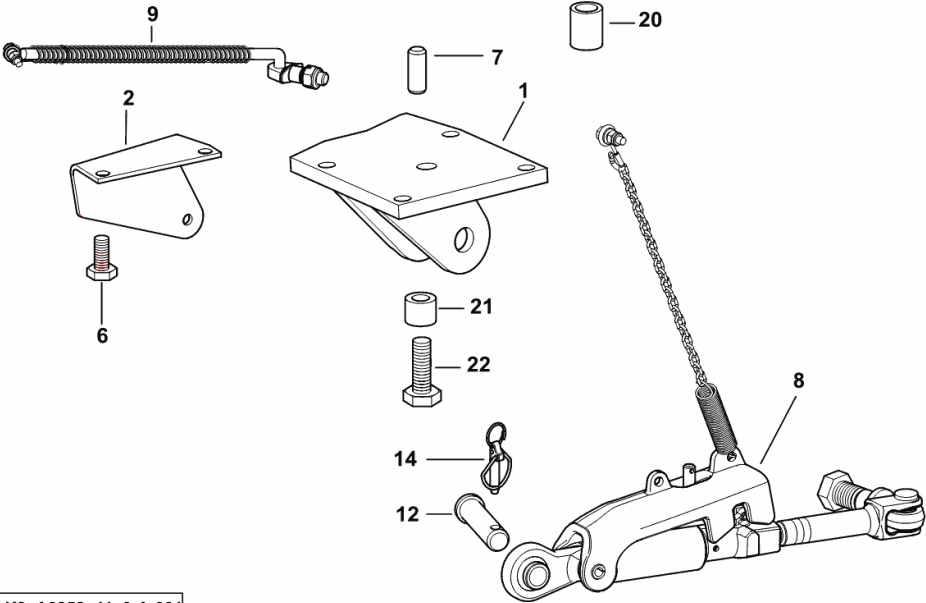
THREE-POINT HITCH - AUTOMATIC LATERAL STABILIZERS - SX/LH/LI

Fig.	Code	QTY	Name
------	------	-----	------

Notes:

[Agrotron K 100 -> 8156 1001]

1	04411215/10	1	end bracket sx/lh/li
2	04412413/10	1	square
6	01112683	2	screw m 16 x 40
7	01105237	1	stop m 6x24
8	0.012.9825.4/10	1	stabiliser
			☞ 0.012.9825.4/10
9	04437123.4/10	1	stabiliser
12	04414819	1	pin (3026 <-)
12	04434154	1	pin (3021)
14	01157380	1	pin 10x55 d1481 (3026 <-)
14	04354390	1	pin (3021)
20	04355272	1	bushing 9x13x16
21	04422335	4	spacer 17x30.5x24
22	04422336	4	screw m 16 x 70



K9_A3958_41_0-A-001

FRONT TRANSMISSION - [2095 009 053]

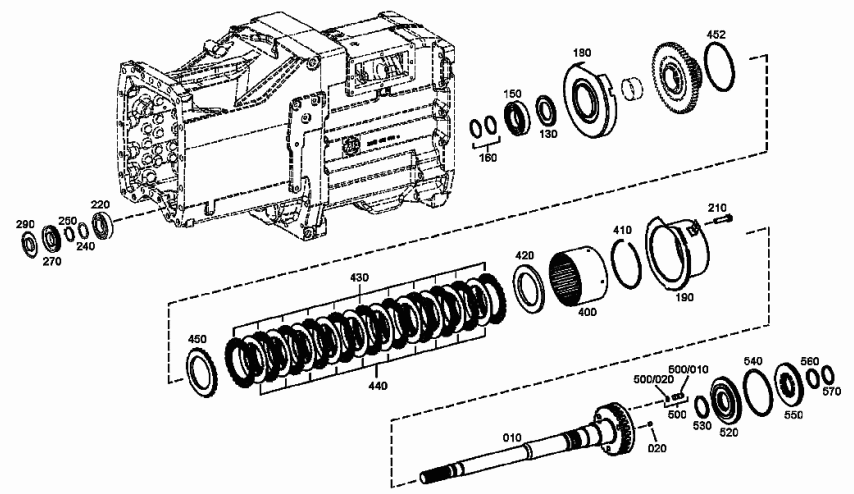
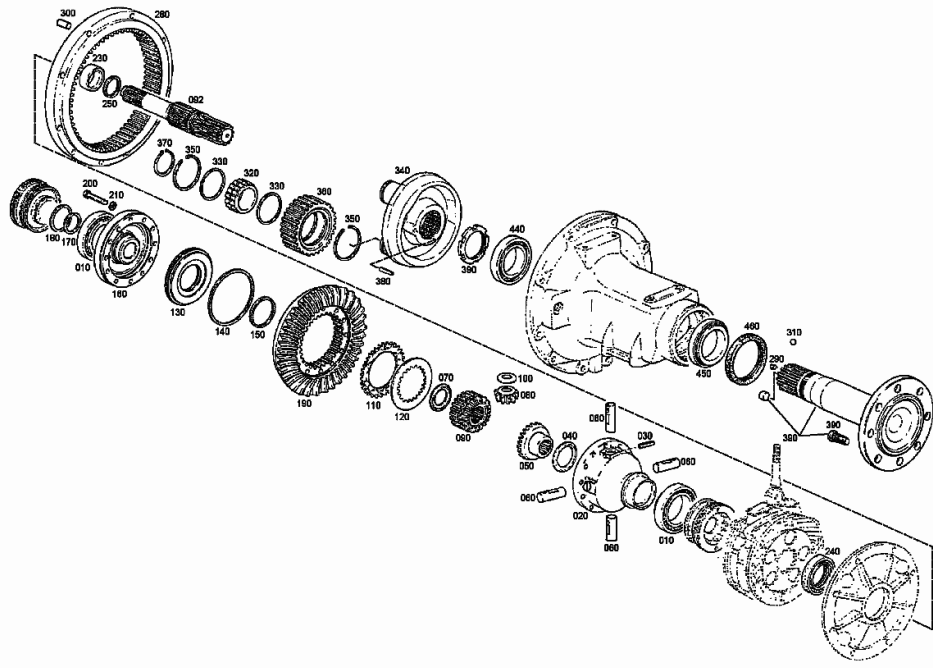


Fig.	Code	QTY	Name
420	04416598	1	shim mm 7.5
420	04416599	1	shim mm 7.7
420	04416600	1	shim mm 7.9
420	04416601	1	shim mm 8.1
420	04416602	1	shim mm 8.3
420	04416603	1	shim mm 8.5
420	04416604	1	shim mm 8.7
430	04416412	11	disc
440	04416413	10	disc mm 2.0
450	04416414	1	washer
452	04415933	1	circlip mm 2.5
500	0.010.3437.2	3	pin
500.10	04416415	3	pin
500.20	04416416	3	'o' ring 7x2.5
520	04423292	1	piston
530	04416418	1	ring
540	04331370	1	ring
550	04416419	1	spring x4
560	04416420	1	snoulder
570	0.900.0289.8	1	circlip 45x2.5

DIFFERENTIAL - [2095 009 053]

Fig.	Code	QTY	Name
10	0.010.3580.1	2	roller bearing
20	0.010.3457.1	1	differential carrier
30	0.010.3349.0	4	roll pin 8 x 40
40	0.900.0124.2	1	slewing ring
50	04417296	1	gear
60	0.010.3457.2	4	axle
70	0.900.0498.2	1	slewing ring
80	0.900.0288.9	4	planet gear
90	04417301	1	bearing
92	0.010.3458.0	2	pinion
100	0.900.0288.8	4	thrust plate
110	0.010.3702.2	8	thin plate
120	04417303	7	thin plate
130	0.900.0025.0	1	piston
140	0.900.0124.1	1	'o' ring
150	0.900.0268.5	1	'o' ring
160	04417310	1	box
170	0.900.0800.7	1	ring 55 x 2.5
180	0.900.0800.8	1	ring 70 x 3.0
190	0.900.0956.8	1	bevel ring gear
200	0.010.3729.2	12	screw m 12 x 80
210	0.900.0277.9	12	washer
230	04417315	2	bushing
240	04417316	2	oil seal
250	0.900.0278.9	2	ring
280	04431673	2	crown wheel
290	0.010.3588.2	2	grain
300	0.900.0278.2	2	pin 12 x 24
310	04309268	2	ball
320	0.900.0282.8	6	roller bearing
330	0.900.0282.6	12	thrust plate 72x80.8x1
340	0.900.0956.9	2	spider
350	0.900.0278.1	12	circlip
360	04417608	6	planet gear
370	0.900.0289.5	6	circlip
380	0.900.0278.3	2	roll pin
390	0.900.0489.3	2	shaft
390	0.900.0861.6	8	wheel stud
440	0.900.0283.0	2	roller bearing
450	0.900.0953.7	2	roller bearing
460	0.010.3643.0	2	ring



SUPER REDUCTION GEAR UNIT - [2095 009 041]

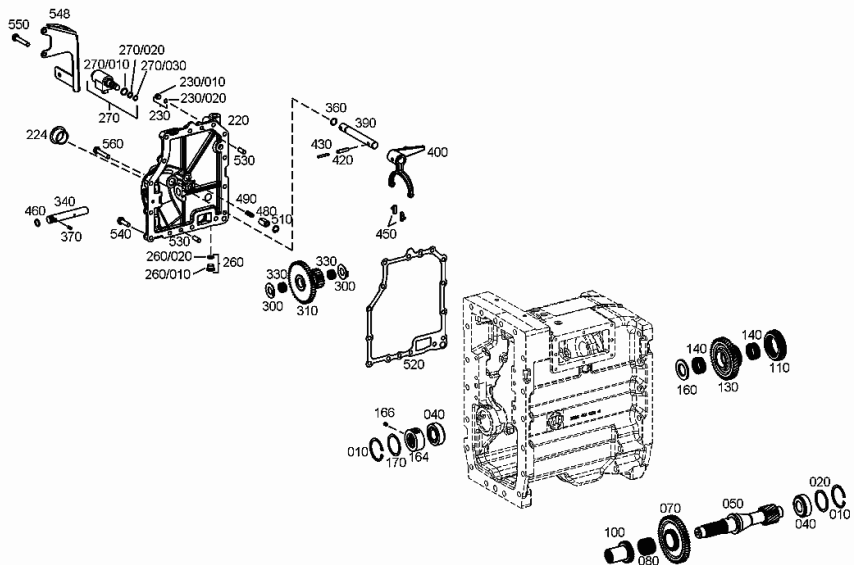


Fig.	Code	QTY	Name
170	0.010.2611.2	1	shim mm 1.76
170	0.010.2612.0	1	shim mm 1.78
170	0.010.2612.1	1	shim mm 1.82
170	0.010.2612.2	1	shim mm 1.84
170	0.010.2612.3	1	shim mm 1.86
170	0.010.2613.0	1	shim mm 1.88
170	0.010.2613.1	1	shim mm 1.92
170	0.010.2613.2	1	shim mm 1.94
170	0.010.2613.3	1	shim mm 1.96
170	0.010.2614.0	1	shim mm 1.98
170	0.010.2614.1	1	shim mm 2.02
170	0.010.2614.2	1	shim mm 2.04
170	0.010.2614.3	1	shim mm 2.06
170	0.900.0014.7	1	shim mm 2.08
170	0.900.0014.8	1	shim mm 1.05
170	0.900.0014.9	1	shim mm 1.10
170	0.900.0015.0	1	shim mm 1.15
220	0.900.0285.8	1	cover
220	0.900.0957.2	1	cover
230	0.000.0000.1	1	not serviceable
230.10	0.900.0280.5	1	plug m 10 p.1
230.20	04415683	1	'o' ring 8x1.5
260	0.000.0000.1	1	not serviceable
260.10	0.900.0291.2	1	plug
260.20	02315162	1	'o' ring 13x2
270	0.900.0952.6	1	electro valve
270	04431661	1	electro valve
270.10	04417841	1	ring 16.36x2.21
270.20	04417842	1	'o' ring 12x2
270.30	04417843	1	ring 10.82x1.78
300	04416185	2	shim
310	04416186	1	gear wheel
330	04416187	2	workshop tool
340	04416188	1	pin
360	0.010.3351.2	1	'o' ring 16x2
370	0.010.3349.2	1	roll pin 6 x 14
390	04416189	1	shaft
400	04416190	1	fork
420	0.900.0290.2	1	roll pin
430	04416191	1	pin 5 x 36
450	04416192	2	shoe
460	0.900.0290.3	1	ring
480	04416193	1	pin
490	04416194	1	spring

Section: D0 - TRANSMISSION
SPLITTER - [2095 009 041]

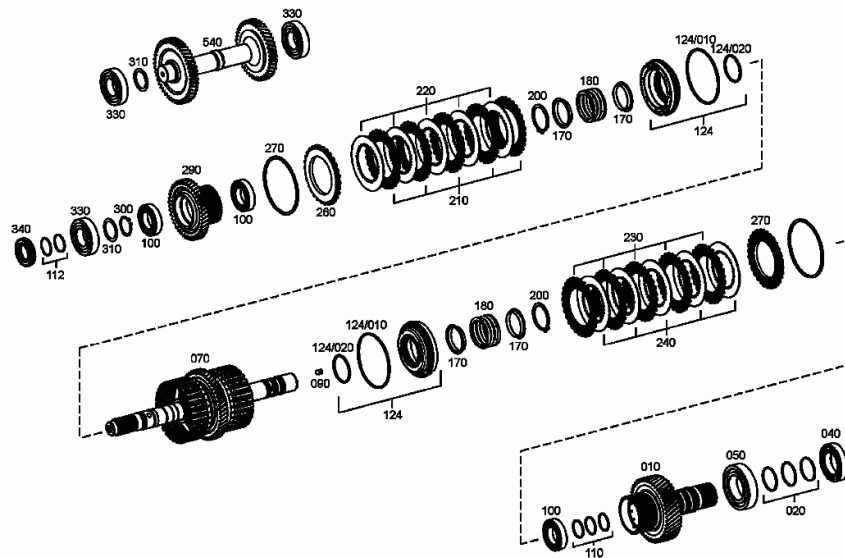


Fig.	Code	QTY	Name
10	04416752	1	shaft z=44
20	04415985	3	ring 48x2
40	04415947	1	bearing
50	04416753	1	ball bearing
70	0.900.0283.8	1	main shaft
90	0.900.0498.4	2	plug
100	0.900.0293.7	7	ball bearing
110	04423359	3	ring
112	04415761	2	ring 35x2
124	04431746	4	piston
124.10	04419762	4	'o' ring 104x3
124.20	04419763	4	'o' ring 50x3
170	04416758	8	ring
180	04416759	4	spring
200	01100621	4	circlip 48x2.5
210	04416760	6	clutch disc AV 35
220	04416967	6	clutch disc
230	04416760	6	clutch disc AV 35
240	04416967	6	clutch disc
270	0.000.0000.1	4	not serviceable
270	04416765	4	circlip A = 2.0
270	04416766	4	circlip A = 2.5
270	04416767	4	circlip A = 3.0
270	04416768	4	circlip A = 3.5
270	0.900.0801.9	4	circlip A=2,75
270	0.900.0802.0	4	circlip A=3,25
270	0.900.0802.1	4	circlip A=2,25
290	0.900.0287.1	1	gear
300	0.900.0289.4	2	circlip
310	0.000.0000.1	2	not serviceable
310	0.010.3394.0	2	washer mm 1.70
310	04416581	2	shim mm 1.90
310	04416582	2	shim mm 2.10
310	04416583	2	shim mm 2.30
310	04416584	2	shim mm 2.50
310	04416585	2	shim mm 2.70
310	04416586	2	shim mm 2.90
310	04416587	2	shim mm 3.10
310	0.010.3392.0	2	washer mm 1.10
310	0.010.3392.1	2	shim mm 1.20
310	0.010.3392.2	2	washer mm 1.30
310	0.010.3393.0	2	washer mm 1.40
310	0.010.3393.1	2	washer mm 1.50
310	0.010.3393.2	2	washer mm 1.60

Section: D0 - TRANSMISSION
LAYSHAFT - [2095 009 042]

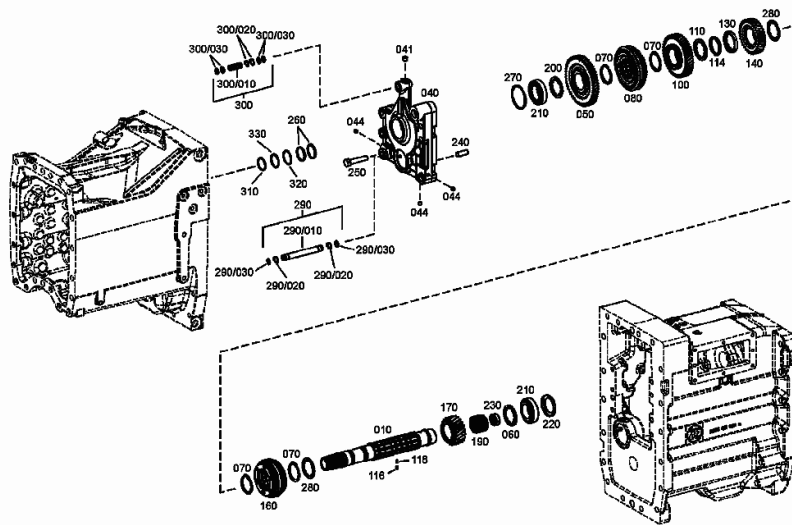
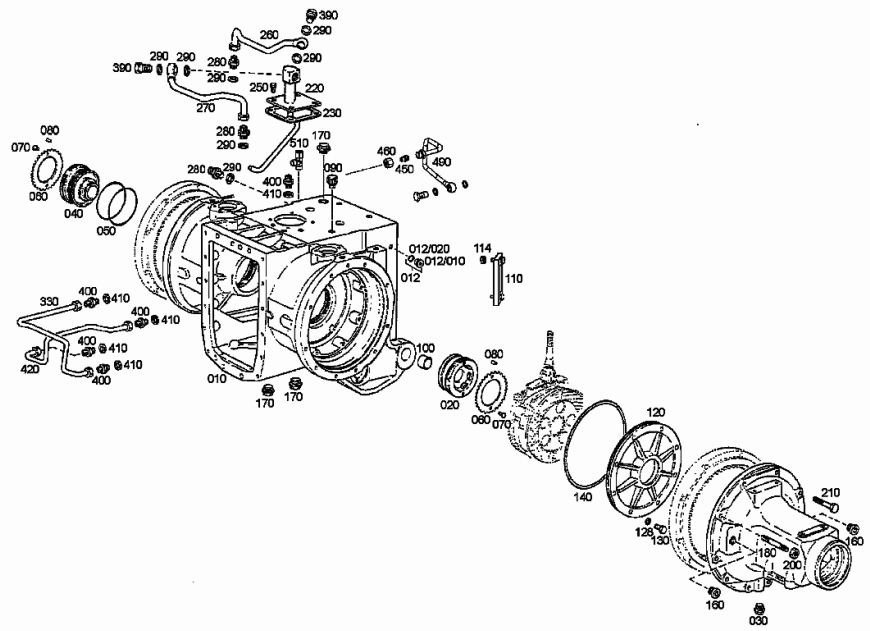


Fig.	Code	QTY	Name
250	0.010.3354.2	6	screw m 12 x 60
260	04335064	2	'o' ring 34x3
270	0.000.0000.1	1	not serviceable
270	04417246	1	shim mm 1.00
270	04417247	1	shim mm 1.05
270	04417248	1	shim mm 1.10
270	04417249	1	shim mm 1.15
270	04417250	1	shim mm 1.20
270	04417251	1	shim mm 1.25
270	04417252	1	shim mm 1.30
270	04417253	1	shim mm 1.35
270	04417254	1	shim mm 1.40
270	04417268	1	shim mm 1.45
270	04417269	1	shim mm 1.50
270	04417270	1	shim mm 1.60
270	04417271	1	shim mm 1.60
270	04419713	1	shim mm 1.65
270	04419714	1	shim mm 1.70
270	04419715	1	shim mm 1.75
270	04419716	1	shim mm 1.80
270	04419717	1	shim mm 1.85
270	04419718	1	shim mm 1.90
270	04419719	1	shim mm 1.95
270	04419720	1	shim mm 2.00
270	04419721	1	shim mm 2.05
270	04419722	1	shim mm 2.10
270	04419723	1	shim mm 2.15
270	04419724	1	shim mm 2.20
280	0.900.0282.7	4	thrust plate
290	0.010.3437.1	1	flexible hose
290.10	0.900.0294.0	1	tube
290.20	0.010.3344.1	2	circlip 15x1
290.30	06214801	2	'o' ring 12x1.5
300	0.010.3436.1	1	flexible hose
300.10	04431768	1	tube
300.20	0.900.0120.6	2	ring 15x1
300.30	0.900.0120.5	4	'o' ring 11x2.5
310	04423359	1	ring
320	0.000.0000.1	1	not serviceable
320	04431775	1	ring mm 1.20
320	04431776	1	ring mm 1.30
320	04431777	1	ring mm 1.40
320	04431778	1	ring mm 1.50
330	04416116	1	circlip

REAR GEARBOX CASE - [2095 009 042]

Fig.	Code	QTY	Name
460	04417788	1	nut
490	0.900.0490.8	1	tube
510	04417783	1	pipe fitting

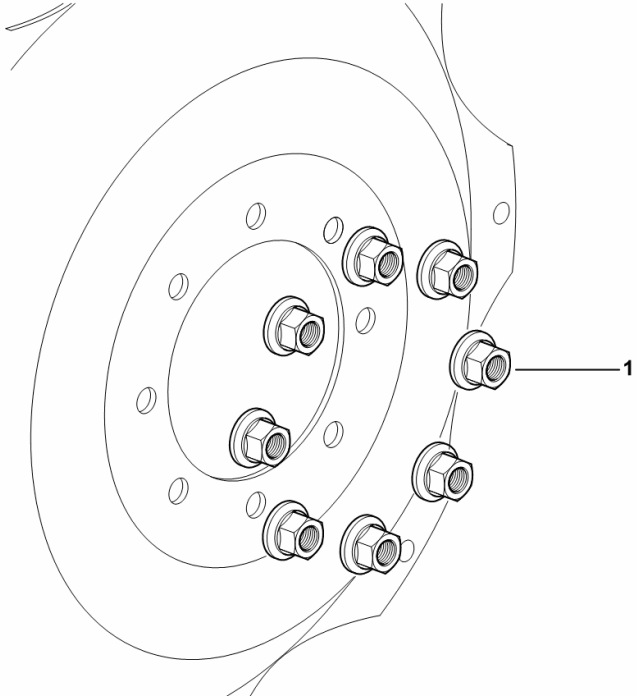


FRONT WHEEL MOUNTING

Fig.	Code	QTY	Name
------	------	-----	------

Notes:
[Agrotron K 100 -> 8156 1001] -> 1222

1	01104070	16	nut m 20 p.1.5
---	----------	----	----------------



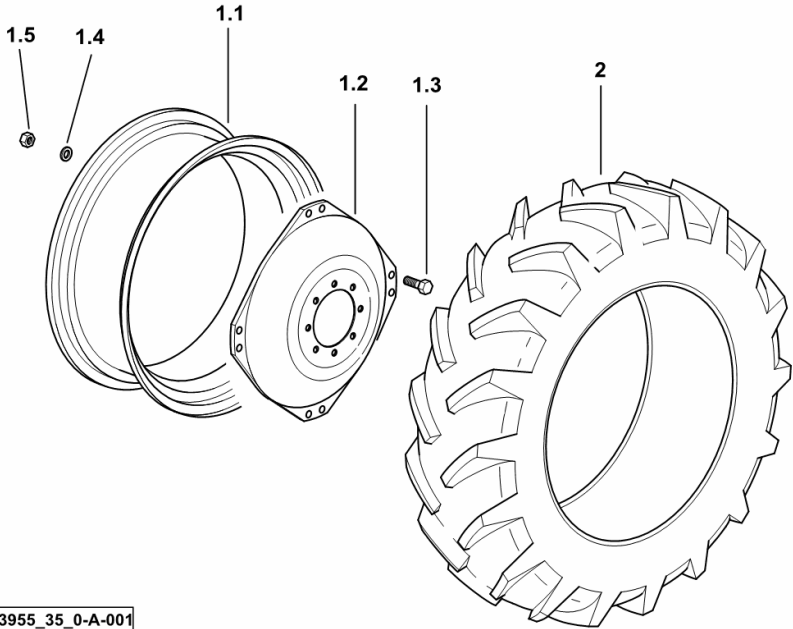
K9_B1543_30_0-A-001

Section: S0 - WHEELS
WHEELS 480/65R-24"

Fig.	Code	QTY	Name
------	------	-----	------

Notes:
[Agrotron K 100 -> 8156 1001]

1.1	04425891	1	rim W 15Lx24"
1.2	04454694	1	rim center flange
1.3	04425885	8	screw m 16 p.1.5
1.4	04425886	8	washer
1.5	04425887	8	nut m 16 p.1.5
2	2.4811.154.0	2	tyre 480/65R-24"



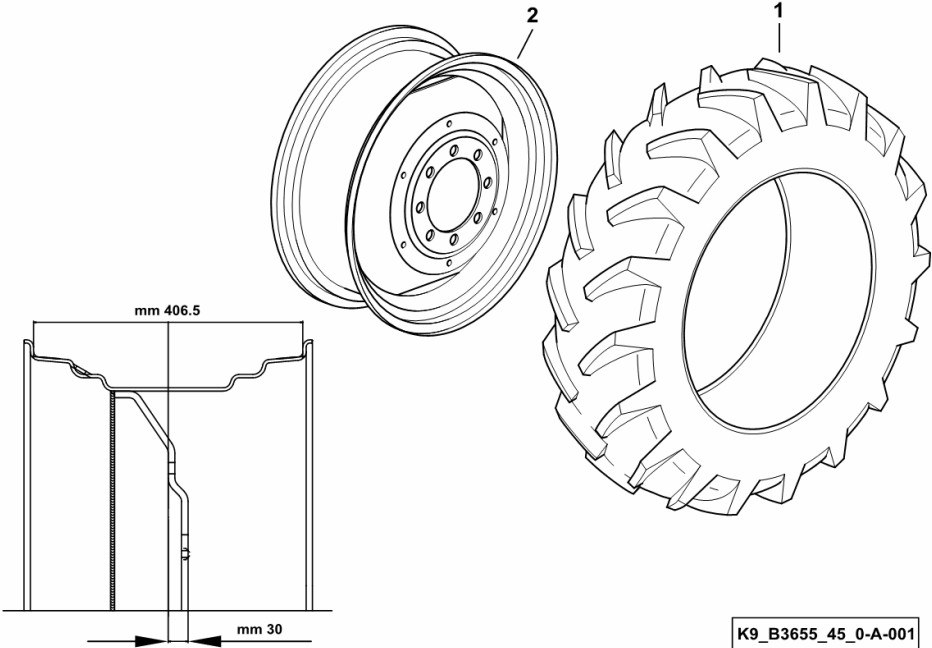
K9_A3955_35_0-A-001

Section: S0 - WHEELS
WHEELS 540/65R30"

Fig.	Code	QTY	Name
------	------	-----	------

Notes:
[Agrotron K 100 -> 8156 1001]

1	2.4811.127.0	2	tyre 540/65R30"143A8
2	04454692	2	rim

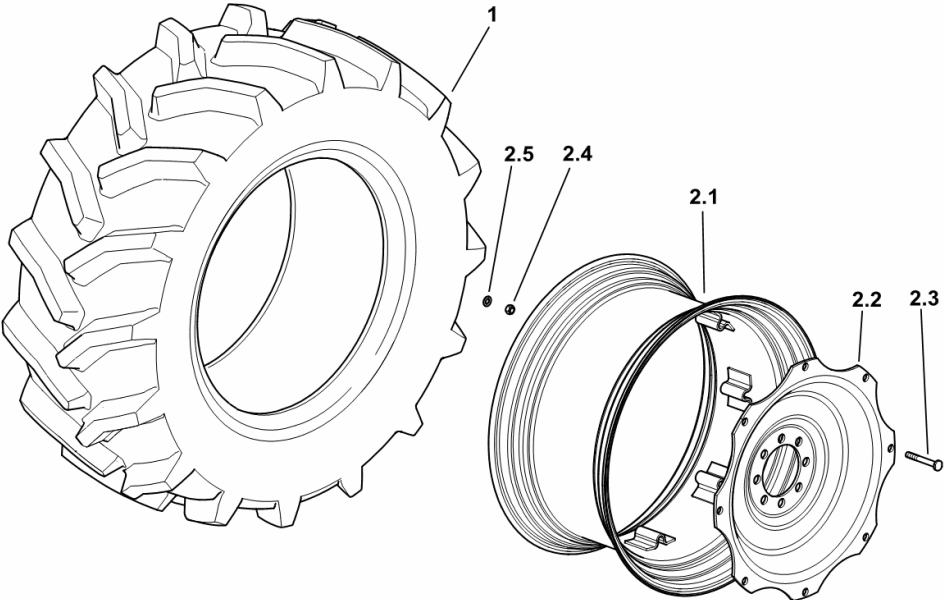


Section: S0 - WHEELS
WHEELS 540/65R34"

Fig.	Code	QTY	Name
------	------	-----	------

Notes:
[Agrotron K 100 -> 8156 1001]

1	2.4811.156.0	2	tyre 540/65R34"
2.1	04425966	1	rim
2.2	04453981	1	rim center flange
2.3	04425895	8	screw m 16 p.1.5
2.4	04425886	8	washer
2.5	04425887	8	nut m 16 p.1.5



K9_B1955_45_0-A-001

CLICK HERE TO **DOWNLOAD** THE COMPLETE MANUAL

- Thank you very much for reading the preview of the manual.
- You can download the complete manual from: www.heydownloads.com by clicking the link below



- Please note: If there is no response to CLICKING the link, please download this PDF first and then click on it.

CLICK HERE TO **DOWNLOAD** THE COMPLETE MANUAL