

Agrotron 165 MK3 -> 8095 2001

ACCESSORIES

GENERAL

PLATE FOR QUICK-ACTION COUPLERS.....	0E.00.1
4-WAY HYDRAULIC CONTROL VALVE WITHOUT AIR BRAKING.....	0E.00.2
4-WAY HYDRAULIC CONTROL VALVE WITHOUT AIR BRAKING - WITH SUSPENDED AXLE.....	0E.00.3
4-WAY HYDRAULIC CONTROL VALVE WITHOUT AIR BRAKING - WITH SUSPENDED AXLE LOAD SENSING.....	0E.00.4
4-WAY HYDRAULIC CONTROL VALVE WITH AIR BRAKING.....	0E.00.5
4-WAY HYDRAULIC CONTROL VALVE WITH AIR BRAKING - WITH SUSPENDED AXLE.....	0E.00.6
4-WAY HYDRAULIC CONTROL VALVE WITH AIR BRAKING - WITH SUSPENDED AXLE LOAD SENSING.....	0E.00.7
4-WAY HYDRAULIC CONTROL VALVE.....	0E.00.8
4-WAY HYDRAULIC CONTROL VALVE.....	0E.00.9
8-WAY HYDRAULIC CONTROL VALVE.....	0E.00.10
8-WAY HYDRAULIC CONTROL VALVE.....	0E.00.11
8-WAY HYDRAULIC CONTROL VALVE LOAD SENSING.....	0E.00.12
8-WAY HYDRAULIC CONTROL VALVE LOAD SENSING.....	0E.00.13
8-WAY HYDRAULIC CONTROL VALVE WITH SUSPENDED AXLE.....	0E.00.14
8-WAY HYDRAULIC CONTROL VALVE WITH SUSPENDED AXLE.....	0E.00.15
8-WAY HYDRAULIC CONTROL VALVE.....	0E.00.16
8-WAY HYDRAULIC CONTROL VALVE.....	0E.00.17
FLOW CONTROL FOR 4/8-WAY CONTROL VALVE.....	0E.00.18
FLOW CONTROL FOR 8-WAY CONTROL VALVE.....	0E.00.19
AUXILIARY HYDRAULIC DISTRIBUTOR.....	0E.00.20
AUXILIARY HYDRAULIC DISTRIBUTOR.....	0E.00.21
REAR FREE RETURN - NOT PRESSURIZED.....	0E.00.22
3 POINT HITCH - LIFTING ARMS cat. 3.....	0E.00.23
3-POINT LINKAGE WITH AUTOMATIC COUPLERS cat. 2/3.....	0E.00.24
3 POINT HITCH.....	0E.00.25
3-POINT HITCH - ADJUSTABLE RH RODS.....	0E.00.26
3-POINT HITCH - ADJUSTABLE RH RODS.....	0E.00.27
3-POINT HITCH - SIDE STABILIZERS.....	0E.00.28
3-POINT HITCH - SIDE STABILIZERS.....	0E.00.29
3-POINT HITCH - SIDE STABILIZERS.....	0E.00.30
RETAINER FOR COLLECTING TRAY sx/lh/li.....	0E.00.31
RETAINER FOR COLLECTING TRAY.....	0E.00.32
REAR TOWING HITCH CAT: "C" ITALY.....	0E.00.33
REAR TOWING HITCH CAT: "D2" ITALY.....	0E.00.34
REAR TOWING HITCH CAT: "D3" ITALY.....	0E.00.35
AUTOMATIC DRAWBAR COUPLING mm 30.8.....	0E.00.36
TOWING COUPLING, AUTOM. MM 37.....	0E.00.37
TOWING COUPLING AUTOM. MM 37 - DRAWBAR EYE MM 50.....	0E.00.38
REAR TOWING HITCH mm 37 X 50 Km/H.....	0E.00.39
AUTOMATIC DRAWBAR COUPLING mm 38.....	0E.00.40

CLICK HERE TO **DOWNLOAD** THE COMPLETE MANUAL

- Thank you very much for reading the preview of the manual.
- You can download the complete manual from: www.heydownloads.com by clicking the link below



- Please note: If there is no response to CLICKING the link, please download this PDF first and then click on it.

CLICK HERE TO **DOWNLOAD** THE COMPLETE MANUAL

4-WAY HYDRAULIC CONTROL VALVE WITHOUT AIR BRAKING - WITH SUSPENDED AXLE LOAD SENSING

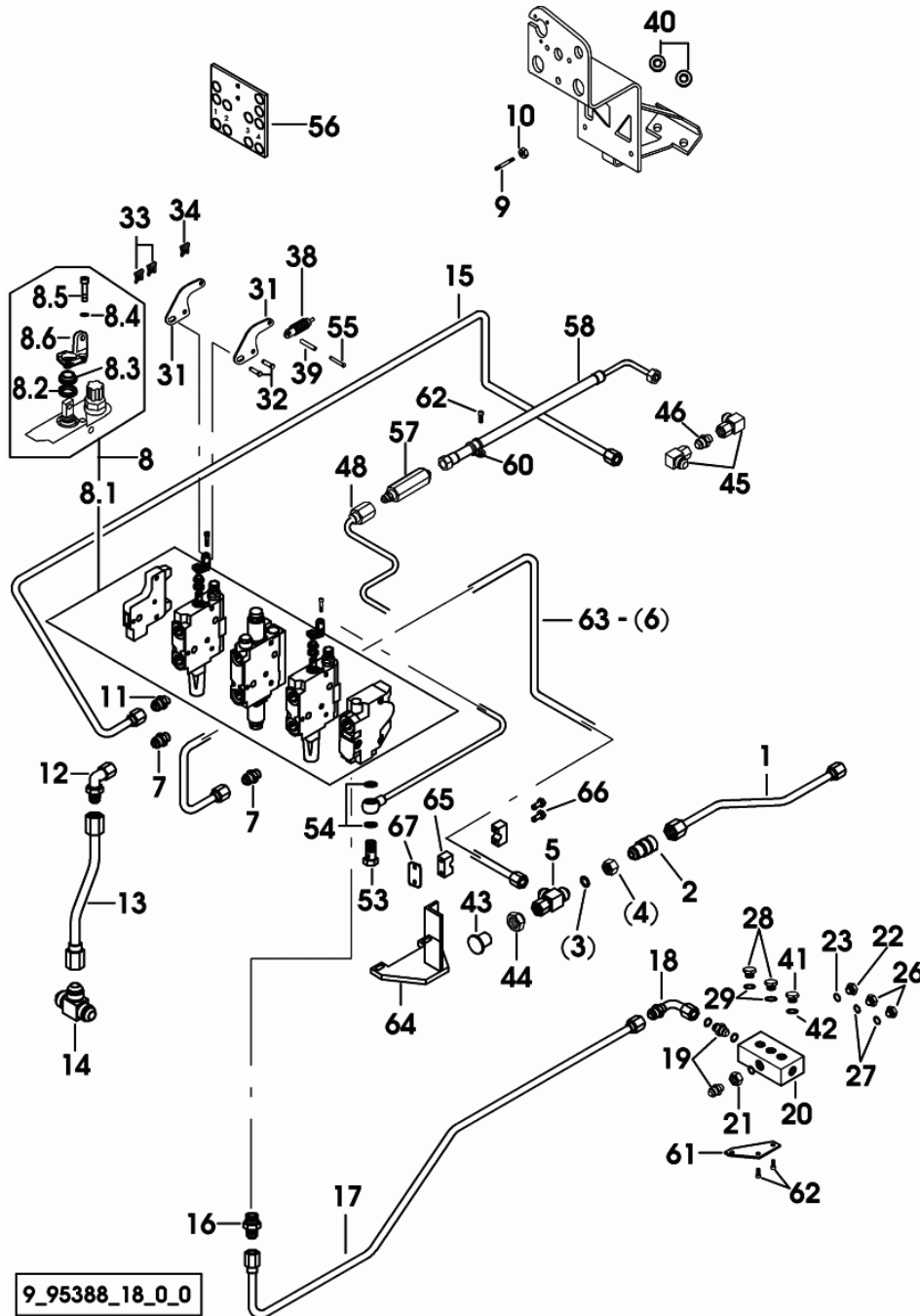
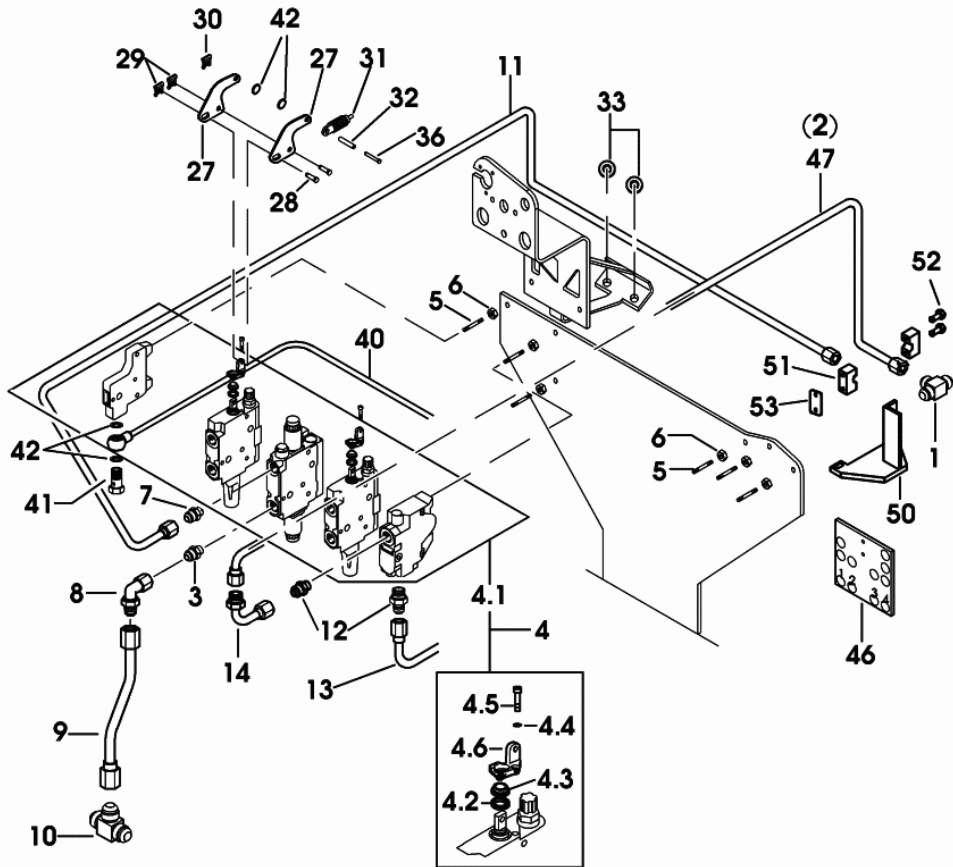


Fig.	Code	QTY	Name
15	04437456	1	pipng
16	04422764	3	pipe fitting m 22 p.1.5x22
17	04437457/10	1	pipng
18	04427232	2	pipe fitting
19	01177225	2	tongue m 26x1,5/22
20	04435666/20	1	casing
21	04437831	1	tongue
22	01118960	1	plug am14x1,5
23	01118688	1	ring 14x17
26	01118970	2	plug m 18 p.1.5
27	01118713	2	washer 18.5
28	01118979	2	plug m22x1,5 d7604
29	01118737	2	'o' ring 22 x 27
31	04438354	4	lever
32	04402646	4	pin 8x25
33	01176237	4	guard
34	01175725	2	small spring 6, d128
38	04415468	2	stop
39	04415471	2	bushing
40	04418159	4	circlip
41	01122964	1	plug m 26 p.1.5
42	01118760	1	gasket 26x31
43	01180566	1	cone
44	01127347	1	nut CL 18
45	01143305	2	pipe fitting
46	04427928.4	1	pipe fitting
48	04450566	1	tube
53	01119241	1	pipe union m 12 p.1.5
54	01213282	2	gasket
55	2.1699.497.2/20	2	pin
56	04438001	1	plate
57	04428384.4	1	valve
58	04450565	1	flexible hose
60	01178439	1	hose clip
61	04450746	1	support
62	01103316	3	screw m 6 p.1.0 x 16
63	04450728	1	pipng
64	04451011.4	1	support
65	06238807	1	terminal Ø 22
66	01110539	2	screw m 6 x 50
67	06272960	1	small plate

8-WAY HYDRAULIC CONTROL VALVE



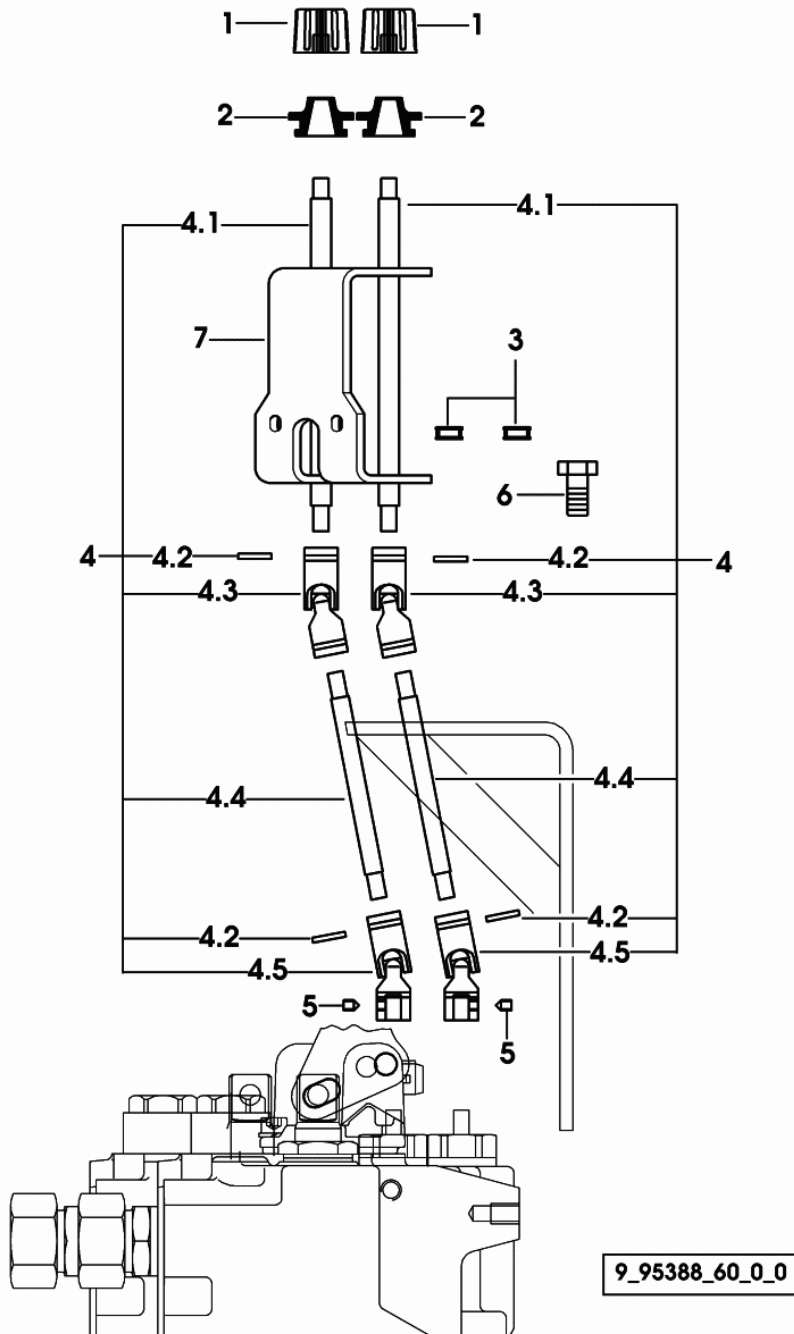
9_95388_35_0_A

Fig.	Code	QTY	Name
1	16026710	1	pipe fitting Ø 22, 22, 18
3	01177450	3	pipe fitting m 22 p.1.5x18
4	0.000.0000.1	0	not serviceable
4.1	04450748	1	hydraulic control bl COMPONENT PARTS SEE COMPONENTS LIST ☞ 04450748 ☞ 04450748 ☞ 04450748 ☞ 0G.00.49 ☞ 0G.00.48 ☞ 0G.00.47
4.2	0.011.9918.0	2	spacer 18.6 x 25 x 4.3
4.3	0.011.9929.0	2	ring
4.4	01102797	4	washer 6, d128
4.5	04429754	4	screw m 6 p.1.0 x 16
4.6	0.010.8533.0/10	2	support
5	01113391	6	small column m 8 x 25
6	01112824	6	nut m 8, d934
7	01179203	1	pipe fitting m 22 p.1.5x15
8	01144817	1	pipe fitting 90°
9	04437455	1	pipng
10	01127372	1	pipe fitting l 15 d3908
11	04437456	1	pipng
12	04422764	4	pipe fitting m 22 p.1.5x22
13	04438039	1	pipng
14	04427232	2	pipe fitting
27	04438354	8	lever
28	04402646	8	pin 8x25
29	01176237	8	guard
30	01175725	4	small spring 6, d128
31	04415468	4	stop
32	04415471	4	bushing
33	04418159	8	circlip
36	2.1699.497.2/20	4	pin
40	04437459	1	pipng
41	01119241	2	pipe union m 12 p.1.5
42	01213282	4	gasket
46	04438001	1	plate
47	04450729	1	pipng
50	04451011.4	1	support
51	06238807	1	terminal Ø 22
52	01110539	2	screw m 6 x 50
53	06272960	1	small plate

Section: ACCESSORIES

FLOW CONTROL FOR 4/8-WAY CONTROL VALVE

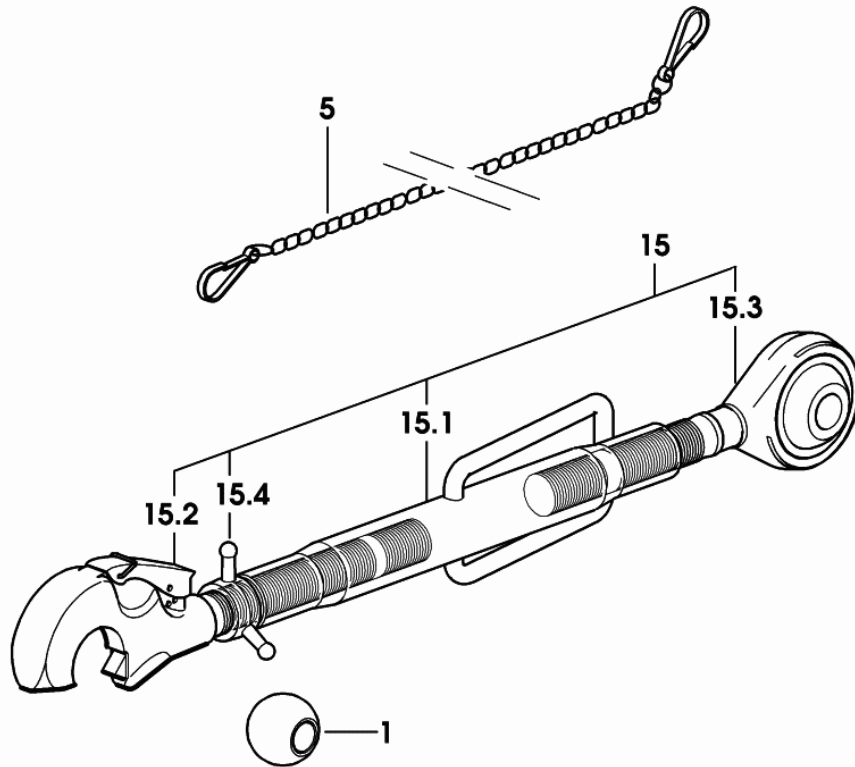
Fig.	Code	QTY	Name
1	04411530	2	knob
2	04424188	2	rubber ring 16
3	04450245	2	bearing
4	04450237.4	2	small shaft
4.1	04438419	1	small shaft
4.2	2.1631.005.0	4	roll pin
4.3	04450235	1	joint
4.4	04450280	1	small shaft
4.5	04450236	1	joint
5	04437608	2	screw
6	01112307	2	screw m 8 p.1.25 x 15, d933
7	04450279/10	1	support



9_95388_60_0_0

Section: ACCESSORIES

3 POINT HITCH



9_95358_01_0_B

Fig.	Code	QTY	Name
1	04400393	1	cap mm 25.4
5	0.012.4852.2	1	chain mm 1500
15	04426948.4	1	3 point hitch
15.1	04427138.4	1	tensioner
15.2	04427241	1	clevis
			COMPONENT PARTS SEE COMPONENTS LIST
			☞ 04427241
			☞ 0G.00.57
15.3	04427135	1	ferrule Ø 32 mm - sx
15.4	04427136	1	nut

REAR TOWING HITCH CAT: "C" ITALY

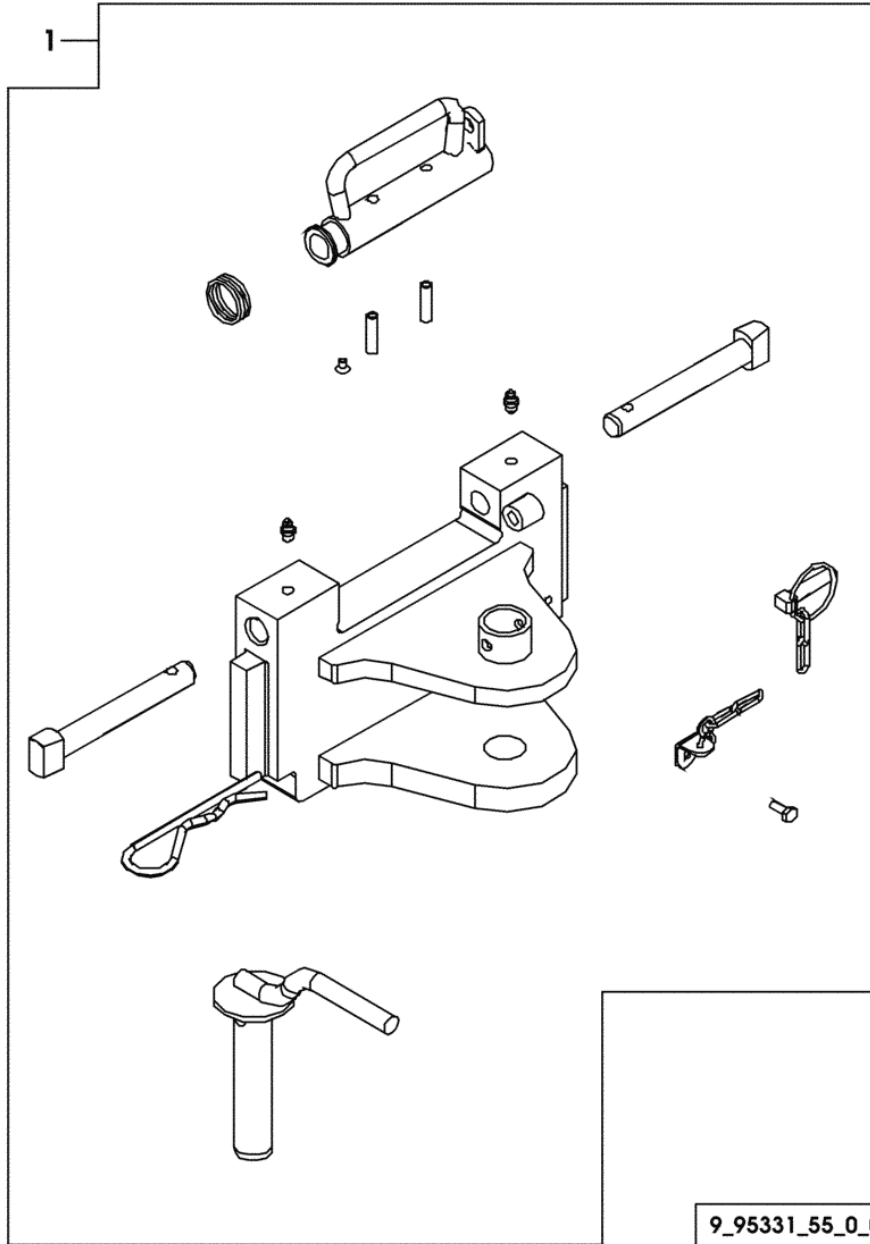


Fig.	Code	QTY	Name
1	04418878.4	1	tow hook C COMPONENT PARTS SEE COMPONENTS LIST ☞ 04418878.4 ☞ 0G.00.63

REAR TOWING HITCH BRACKET

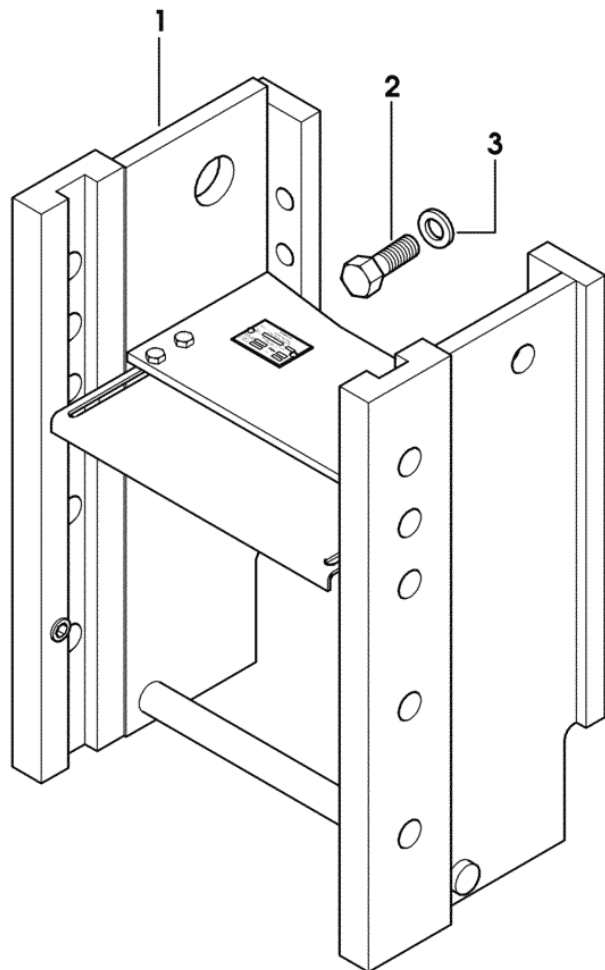
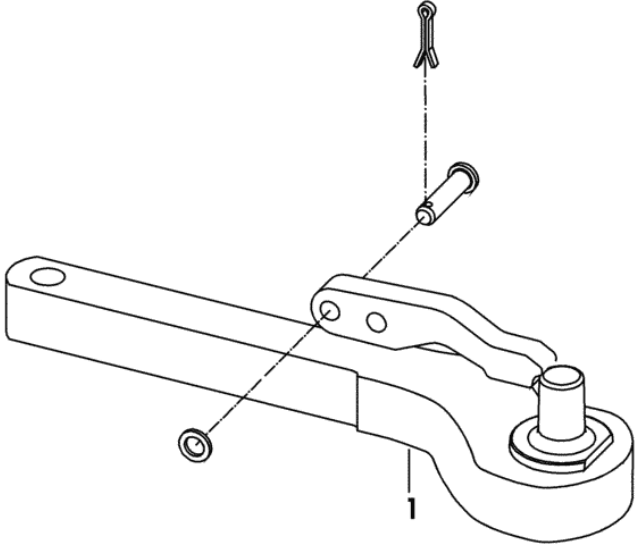


Fig.	Code	QTY	Name
1	04422497	1	support COMPONENT PARTS SEE COMPONENTS LIST ☞ 04422497 ☞ 0G.00.73
2	01125933	14	screw
3	01103952	14	spring disc

9_95031_50_0_0

TOWING BAR

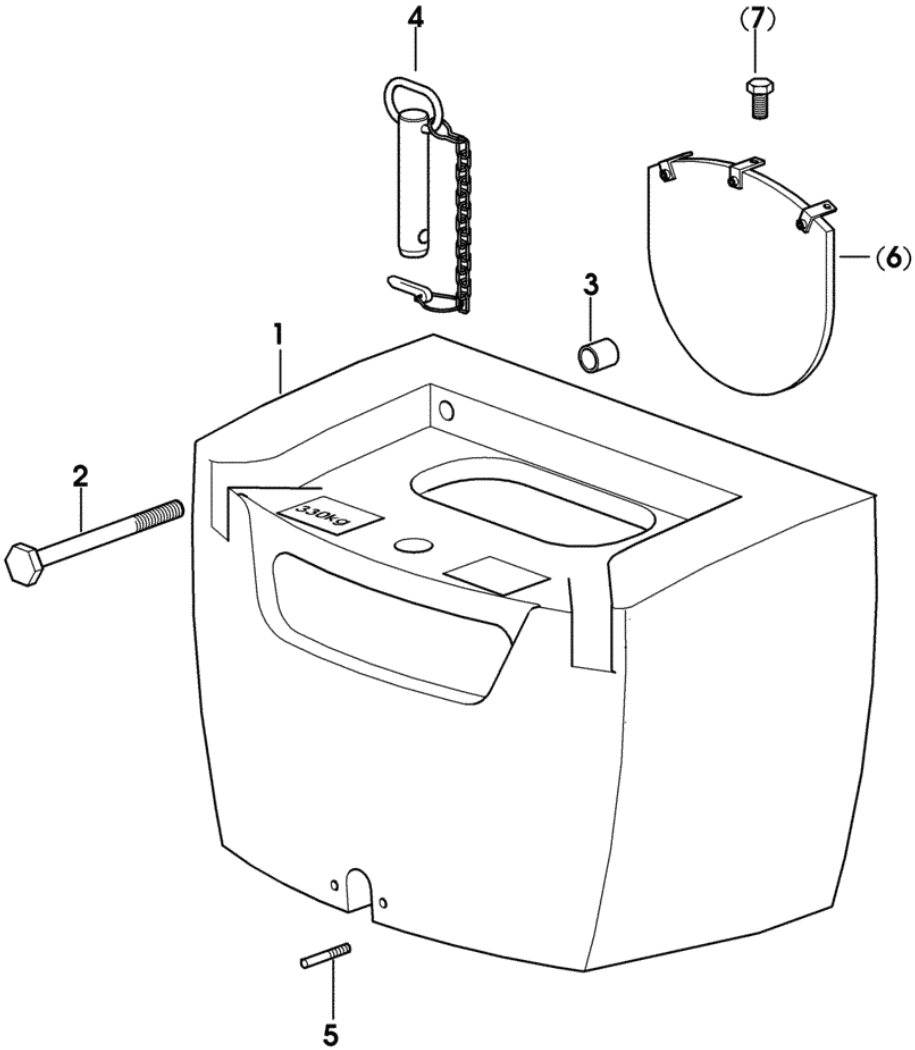
Fig.	Code	QTY	Name
1	04426458.4	1	draw bar COMPONENT PARTS SEE COMPONENTS LIST ☞ 04426458.4 ☞ 0G.00.82



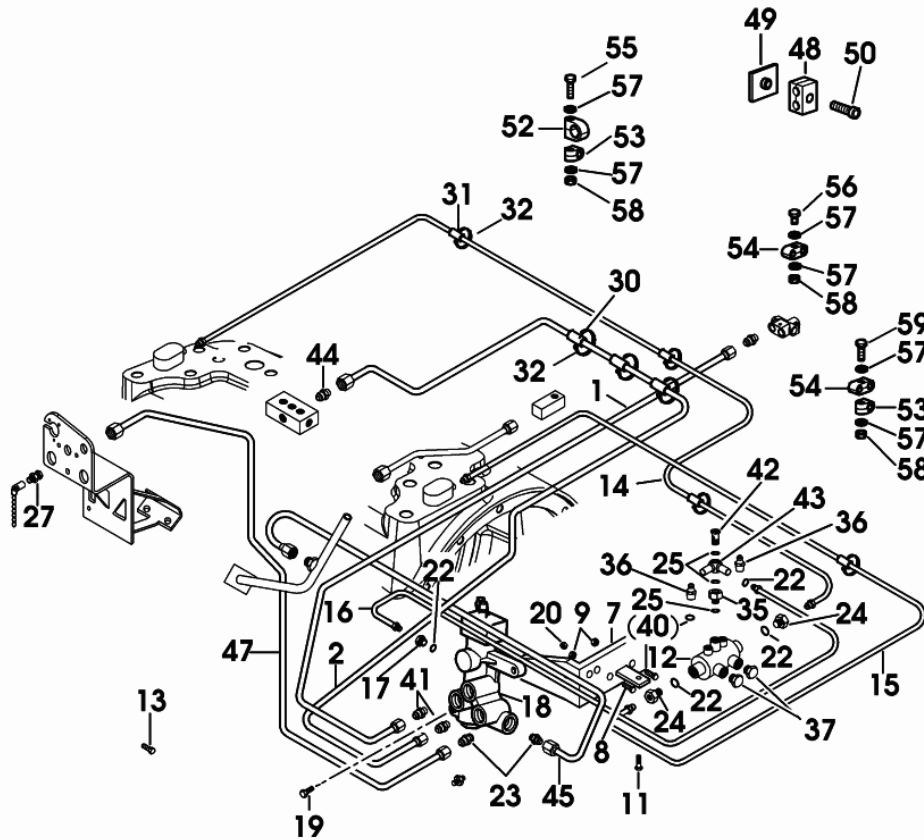
9_95331_71_0_0

Section: ACCESSORIES
FRONT BALLAST 330 Kg

Fig.	Code	QTY	Name
1	04432782/20	1	ballast 330 Kg
2	01144479	4	screw m 16 x 120
3	04388695	2	bushing 17x22x23
4	04414118.4	1	pin
5	01123863	1	grain 8 x 60
6	04419917.4	1	plate (...) <- X Agrotron 120 MK3 (...) <- X Agrotron 135 MK3 (...) <- X Agrotron 150 MK3 (...) <- X Agrotron 165 MK3
7	04417408	1	screw 4.2x13 (...) <- X Agrotron 120 MK3 (...) <- X Agrotron 135 MK3 (...) <- X Agrotron 150 MK3 (...) <- X Agrotron 165 MK3



HYDRAULIC BREAKING FOR TRAILER - EXPORT F



9_95389_00_0_A

Fig.	Code	QTY	Name
1	04450323	1	pipng
2	04450324	1	pipng
7	04432463.4	1	consolle
8	01112418	2	screw m 10 x 25, d938
9	01102659	2	nut m 10, d934
11	01112322	2	screw m 8 p.1.25 x 20
12	04422528	1	valve
13	01112356	2	screw m 8 x 40
14	04436629	1	tube sx/lh/li
15	04436630	1	tube dx/rh/re
16	04437838	1	tube
17	04419604	1	power control
18	04450428	1	valve
			(...) <- X Agrotron 120 MK3
			(...) <- X Agrotron 135 MK3
			(...) <- X Agrotron 150 MK3
			(...) <- X Ag
			☞ 04450428
			☞ OG.00.85
18	04452780	1	valve
			-> (...) X Agrotron 120 MK3
			-> (...) X Agrotron 135 MK3
			-> (...) X Agrotron 150 MK3
			-> (...) X Ag
			☞ 04452780
			☞ OG.00.86
19	01103734	2	screw m8x55 d931-10
20	01112824	2	nut m 8, d934
22	01118681	4	'o' ring a 12x18 d7603
23	04428400	2	pipe fitting
24	03420517	2	pipe union m 12 p.1/ m 14 p.1.5
25	01118693	3	gasket 14x20
27	04307317	1	coupling
30	02382224	3	sleeve 12
31	01216315	4	rubber plug
32	01172065	11	clamp 4.6 x 146
35	03420517	1	pipe union m 12 p.1/ m 14 p.1.5
36	04434833	2	valve
37	01137743	2	plug m 14 p.1.5
40	02301792	2	dust guard
			2095 <- X Agrotron 120 MK3
			2060 <- X Agrotron 135 MK3
			2045 <- X Agrotron 150 MK3
			2040 <- X Agrotron 165 MK3

1 - 2 WAY AIR BRAKING SYSTEM

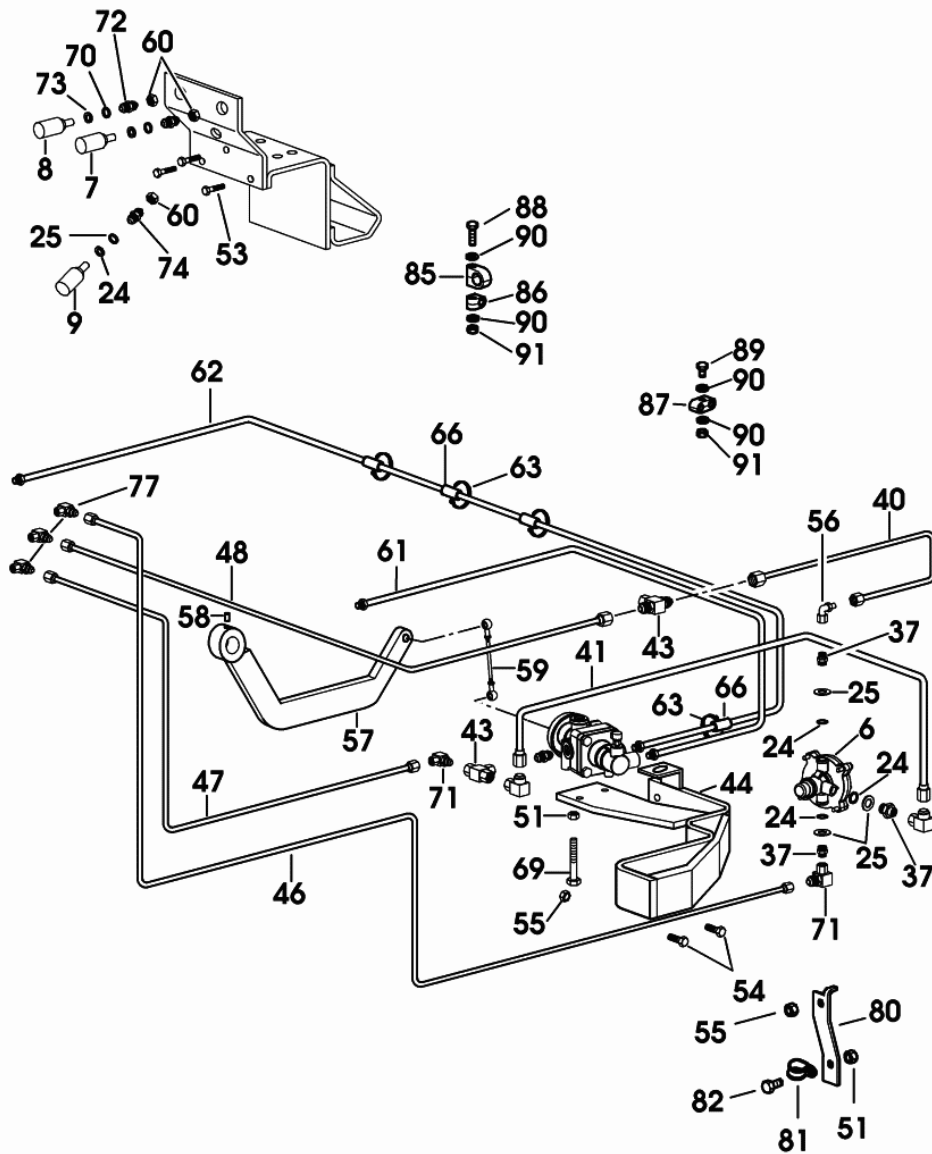
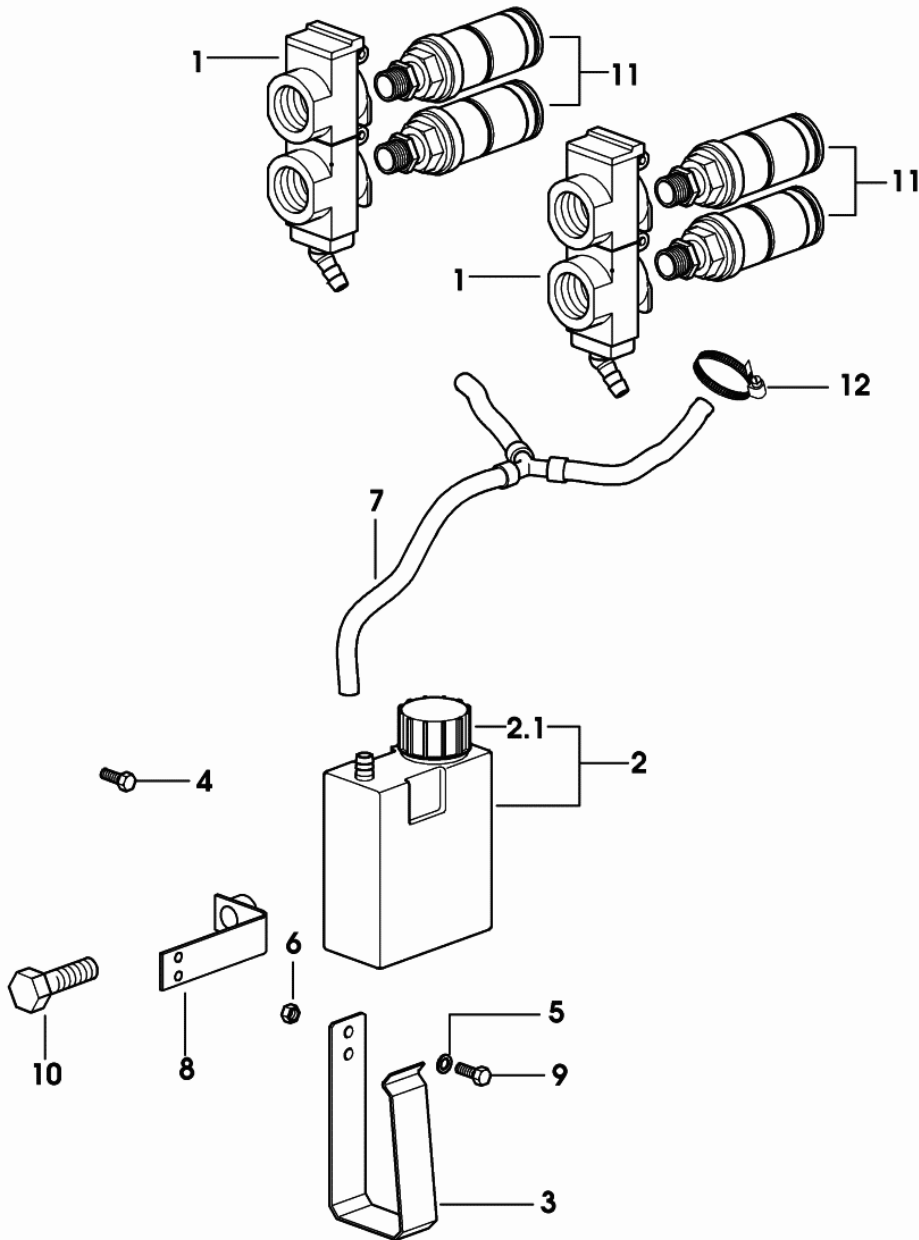


Fig.	Code	QTY	Name
6	02382049.4	1	valve ☞ 02382049.4
7	04323303	1	socket
8	04323302	1	socket
9	04322997	1	top
24	02523700	9	ring
25	02523701	9	ring
37	01143570	4	pipe fitting m 22 x 1.5
40	04437816	1	tube
41	04437818	1	tube
43	01144831	3	pipe fitting T
44	04452377.4	1	bracket
46	04437817	1	tube
47	04452329	1	piping Ø 12 / L = mm 1070
48	04452330	1	piping Ø 12 / L = mm 1320
51	01112824	3	nut m 8, d934
53	01112307	3	screw m 8 p.1.25 x 15, d933
54	01112451	2	screw m 10 p.1.5 x 45
55	01102659	6	nut m 10, d934
56	01144832	3	pipe fitting
57	04427793	1	lever
58	01157345	1	pin
59	04431587	1	rod
60	01131116	3	nut m 18 x 1.5
61	04436618	1	tube dx/rh/re
62	04436617	1	tube sx/lh/li
63	01172065	8	clamp 4.6 x 146
66	01216315	4	rubber plug
69	01112364	2	screw m 8 x 55, d933
70	04389868	3	ring
71	04436896.4	4	pipe fitting L
72	01143566	1	pipe fitting a12 m16x1,5
73	04389869	3	ring
74	01143567	3	pipe fitting m 22 x 1.5
77	04437700	3	plug
80	04450698	1	support
81	01174437	1	terminal
82	01112333	1	screw m 8 x 25, d933
85	01141607	1	clamp 12
86	01141501	1	clamp Ø 6
87	01141550	1	clamp Ø 6/6
88	01127034	1	screw m 6 x 50, d933
89	01127031	1	screw m 6 x 30, d933
90	01119810	4	washer 6.4

9_A3889_15_0_B

Section: ACCESSORIES
4-WAY QUICK COUPLERS

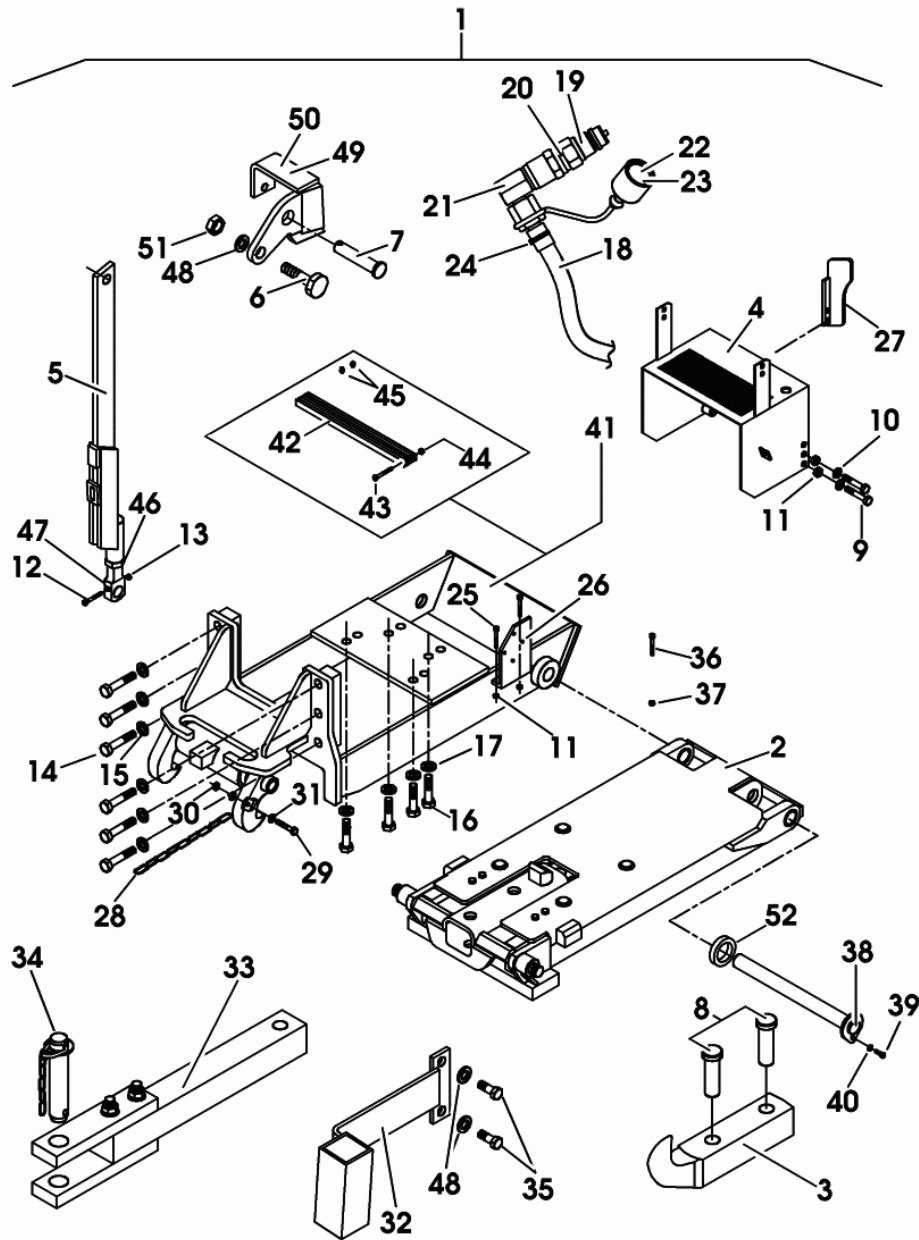
Fig.	Code	QTY	Name
1	04438516.4	2	small block
2	04426824.4	1	tank 600 cm ³
2.1	04428375	1	plug
3	04426826	1	tank support
4	01127031	1	screw m 6 x 30, d933
5	00810311	1	washer 6.4
6	01133500	3	nut vm 6 d980
7	04433076.4	2	rubber tube
8	04427959	1	bracket
9	01103316	2	screw m 6 p.1.0 x 16
10	01144803	1	screw m 18 p.1.5x40
11	04450420	4	socket
12	04437395	2	clamp



9_A3688_44_0_0

Section: ACCESSORIES
PICK-UP-HITCH

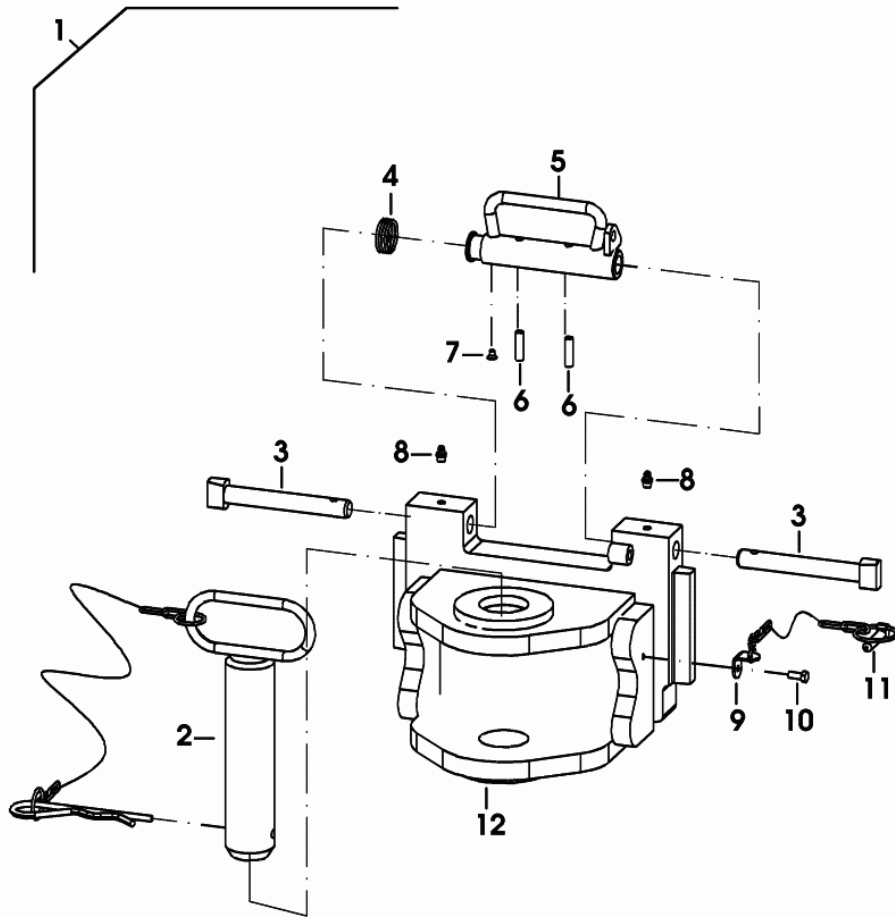
Fig.	Code	QTY	Name
44	0.010.3116.1	1	nut m 8
45	04418473	2	lubricator m 6 p.1
46	0.010.3117.0	2	nut
47	0.010.3117.1	2	pin
48	04418501	4	washer
49	0.900.0005.4	1	bracket sx/lh/li
50	0.900.0005.5	1	bracket dx/rh/re
51	0.900.0005.6	2	nut
52	0.010.3130.0	1	bushing



0_013_0535_4_10

REAR TOWING HITCH D2

Fig.	Code	QTY	Name
1	04418879.4	1	tow hook D2
2	04419135	1	pin
3	04417893	2	pin
4	04419128	1	spring
5	0.010.3080.1	1	handle
6	01115469	2	pin 8 x 30
7	04417922	1	screw
8	01168225	2	lubricator m 8 x 1
9	04419131	1	stop
10	0.000.0000.1	1	not serviceable
11	04417930	1	spring
12	04418879	1	clevis D2



0441_8879_4

Section: ACCESSORIES
REAR TOWING HITCH

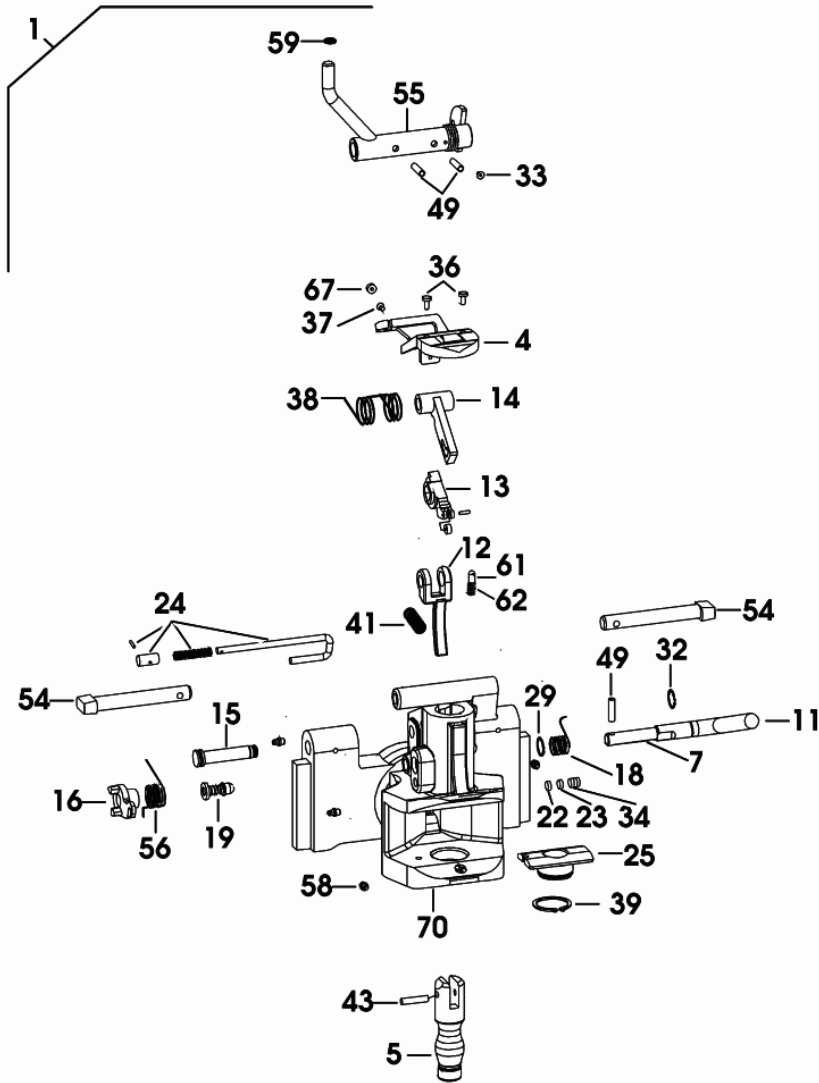
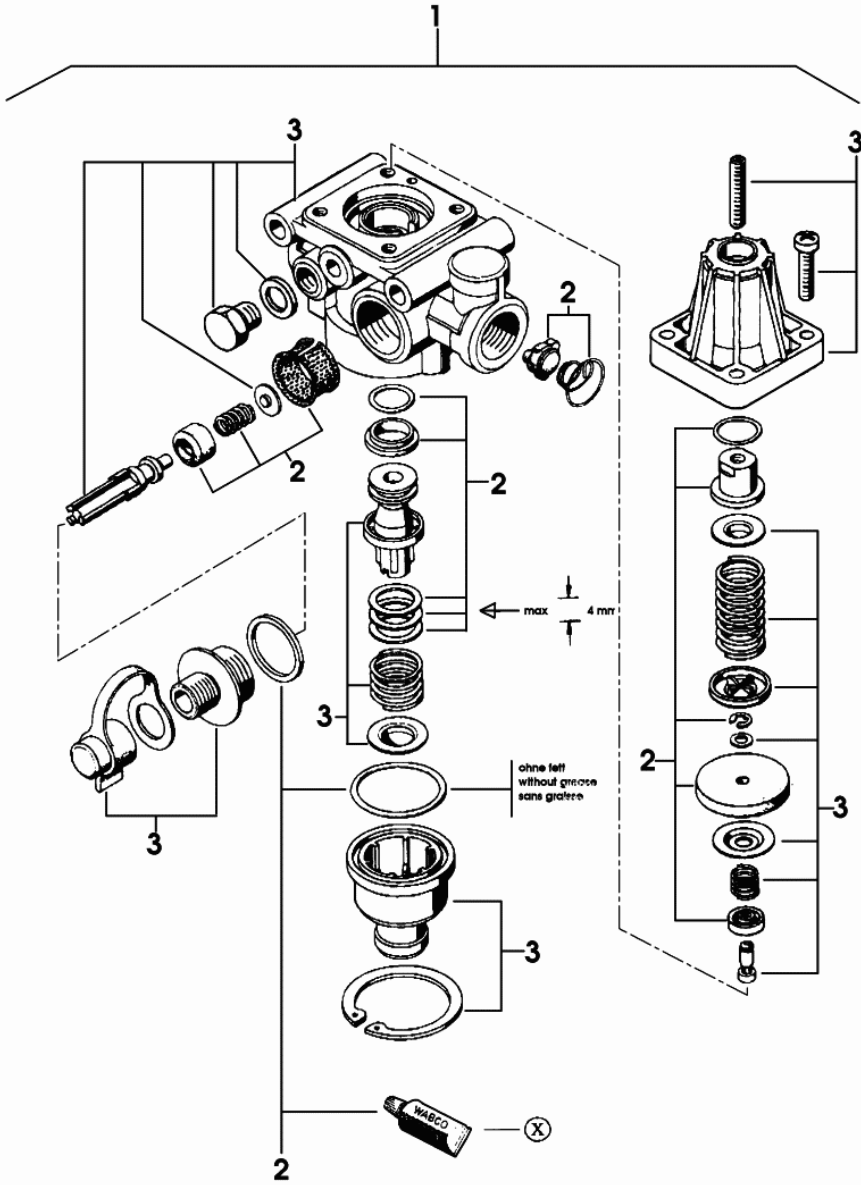


Fig.	Code	QTY	Name
1	04426441.4	1	tow hook
4	04426447	1	cover
5	04426448	1	pin Ø 38
7	04417124	1	knob
11	04426453	1	lever
12	04417904	1	spacer
13	04426645.4	1	lever
14	04426649	1	lever
15	04417907	1	pin
16	04417908	1	lever
18	04417909	1	spring
19	04417910	1	pin
22	04417890	1	shim
23	04417891	1	ferrule
24	04417894.4	1	knob
25	04426650	1	plate mm 87
29	01107730	1	ring 20 x 1.2, d471
32	01107724	1	circlip
33	01137758	1	screw
34	01137465	1	pin
36	01112238	2	screw
37	04417922	1	screw
38	04417913	1	spring
39	01107758	1	circlip
41	04417921	1	spring
43	04418412	1	cylindrical plug
49	01115469	3	pin 8 x 30
54	0.010.3081.0	2	pin
55	04417887	1	latch
56	04417915	1	spring
58	01168225	4	lubricator m 8 x 1
59	04417325	1	shim
61	04417917	1	pin
62	04417920	1	spring
67	04426658	1	sleeve 15.95x19 m10
70	04426441	1	clevis

0442_6441_4

Section: ACCESSORIES
PRESSURE REGULATOR

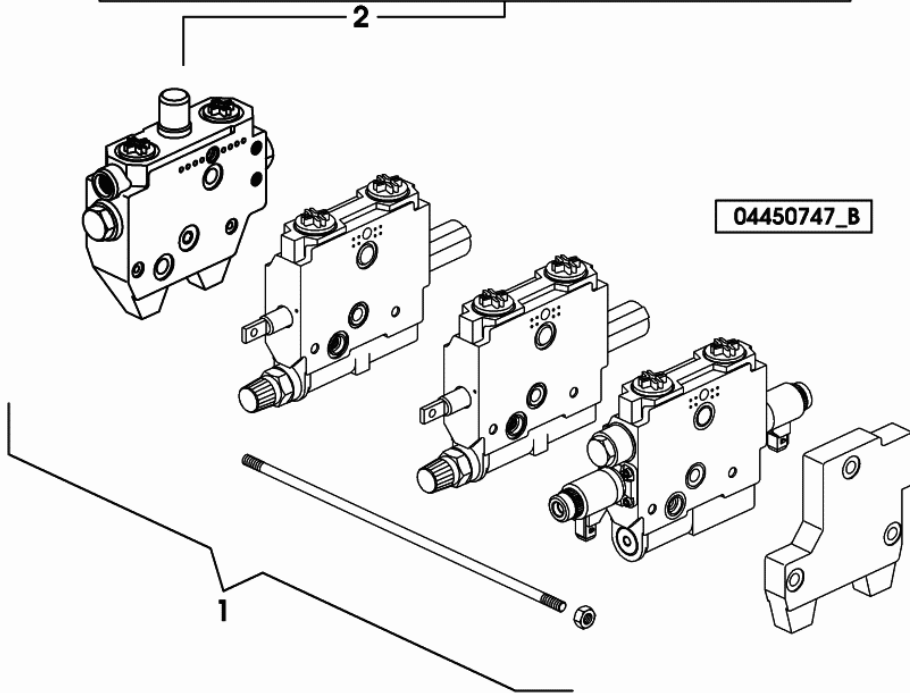
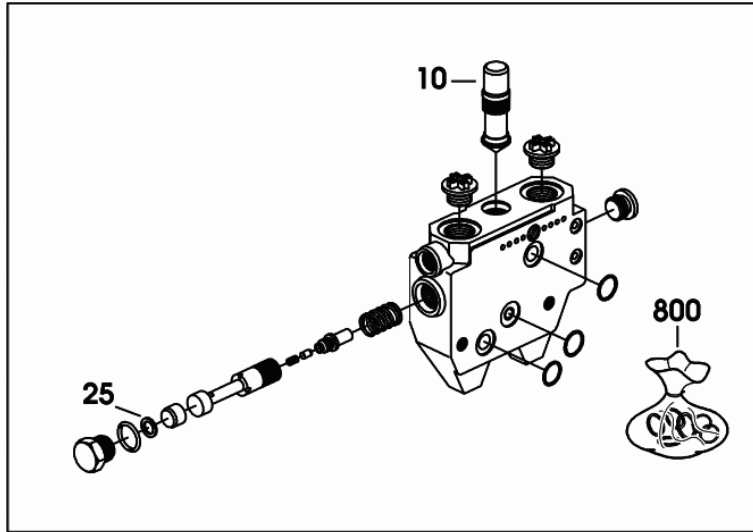
Fig.	Code	QTY	Name
1	04434820	1	regulator
2	0.010.2844.1	1	repair seal set
3	0.000.0000.1	0	not serviceable



04434820

Section: ACCESSORIES
DISTRIBUTOR PARTS

Fig.	Code	QTY	Name
1	04450747	1	hydraulic control bl
2	0.010.3670.1	1	plate
10	04418524	1	valve
25	01289574	0	shim 0,20 MM
25	01289579	0	shim 0,40 MM
25	01289577	0	shim mm 0.30
800	0.010.3548.2	1	gasket set



Agrotron 165 MK3 -> 8095 2001

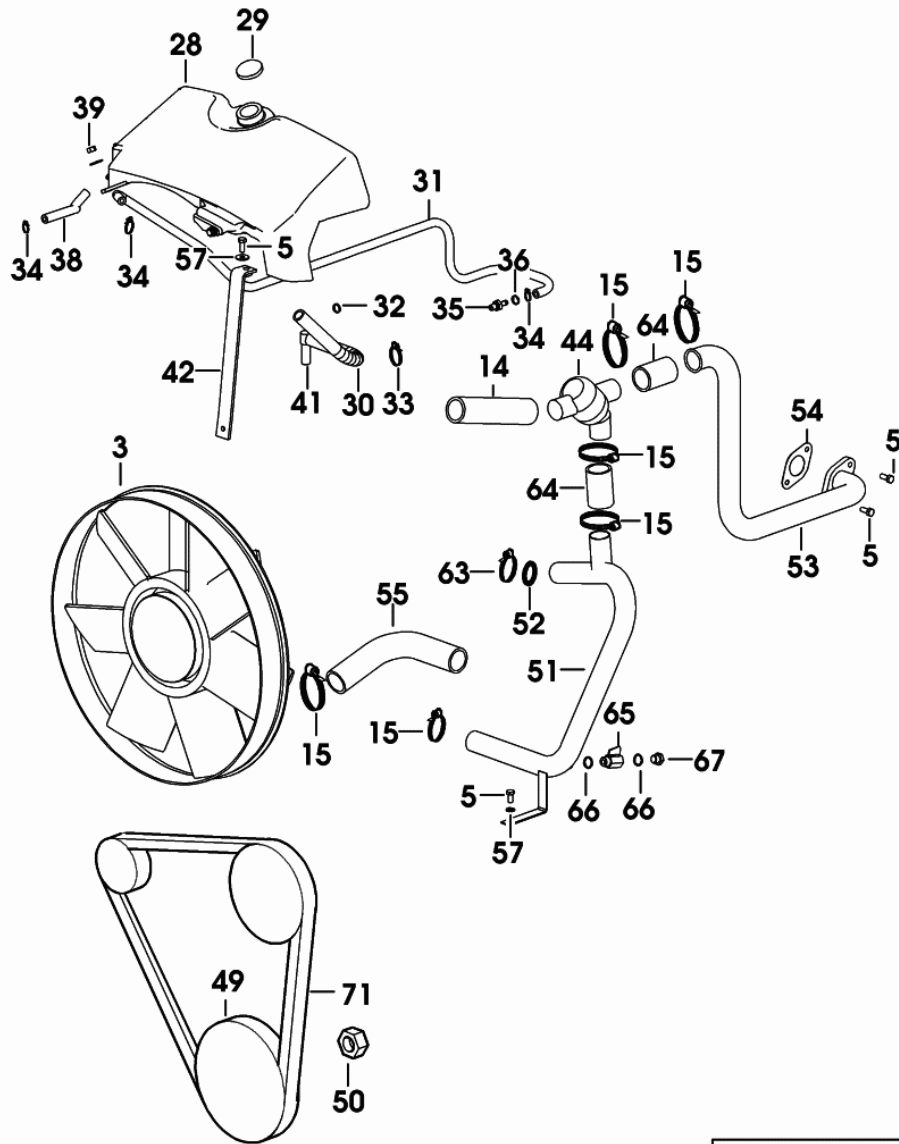
BODY WORK

GENERAL

FRONT GRILLE FOR DRIVING ON RIGHT.....	07.00.1
FRONT GRILLE FOR DRIVING ON LEFT.....	07.00.2
FASTENINGS.....	07.00.3
HOOD.....	07.00.6
HOOD.....	07.00.7
MODEL PLATE.....	07.00.11
WATER COOLER.....	07.00.17
WATER COOLER.....	07.00.18
DASHBOARD.....	07.00.20
DASHBOARD.....	07.00.21
AIR DUCTING HOOD.....	07.00.22
DASHBOARD.....	07.00.23
DASHBOARD.....	07.00.24
INFORMATION PLATE.....	07.00.25
INFORMATION PLATE.....	07.00.26
PLATES CEE.....	07.00.28
PLATES.....	07.00.42
PLATES.....	07.00.43
PLATES.....	07.00.44
PLATES.....	07.00.45
PLATES.....	07.00.46
PLATES.....	07.00.47
GEARSHIFT DIAGRAM 50 Km/h.....	07.00.51
GEARSHIFT DIAGRAM 40 Km/h.....	07.00.52
METAL TOOLBOX.....	07.00.53
THROTTLE.....	07.00.54
ELECTRONIC ACCELERATOR CONTROL.....	07.00.55
FRONT MUDGUARDS mm 470.....	07.00.56
FRONT MUDGUARDS mm 470.....	07.00.57
FRONT MUDGUARDS mm 540.....	07.00.58
FRONT MUDGUARDS mm 540.....	07.00.59
FRONT MUDGUARDS mm 620.....	07.00.60
FRONT MUDGUARDS mm 620.....	07.00.61
FRONT MUDGUARD SUPPORTS.....	07.00.62
FRONT MUDGUARD SUPPORTS.....	07.00.63
FRONT MUDGUARDS mm 470.....	07.00.64
FRONT MUDGUARDS mm 540.....	07.00.65
FRONT MUDGUARDS mm 620.....	07.00.66
SUPPORTS.....	07.00.68
MECHANICAL CAB SUSPENSION.....	07.00.71

Section: BODY WORK
WATER COOLER

Fig.	Code	QTY	Name
3	04424557	1	rotor blade
5	01112322	7	screw m 8 p.1.25 x 20
14	04436202	1	sleeve 38x46.4x195
15	01173969	8	clamp 32-50
28	04425371	1	cup
29	04425394	1	plug
30	04435423	1	tube
31	04435422	1	tube
32	01080571	5	band 172X4.6
33	01173962	3	clamp Ø 20/32
34	01173965	4	clamp 10-16/9 h3461
35	04413656	1	tongue
36	01118659	1	'o' ring
38	04434600	1	tube
39	04427900	1	nut
41	04413682	1	stop
41	04418612	1	2155 <- X Agrotron 165 MK3 connection -> 2156 X Agrotron 165 MK3
42	04436201	1	console
44	04435427	1	thermostat
49	04424558	1	coupling
50	01112824	4	nut m 8, d934
51	04438132	1	tube
52	01180309	1	rubber plug 37X4
53	04436198	1	tube
54	04413379	1	gasket
55	04438346	1	tube
57	01136363	3	washer 8.4
63	01173971	1	hose clip Ø 40/60
64	04435817	2	sleeve
65	04436539	1	cock or tap
66	01124010	1	'o' ring
66	01118707	2	2044 <- X Agrotron 165 MK3 ring 16
66	01118700	2	-> 2045 - 2036 <- X Agrotron 165 MK3 'o' ring Ø 16 x 20 -> 2037 X Agrotron 165 MK3
67	04436540	1	plug
71	04438414	1	v-belt set mm 13x1620

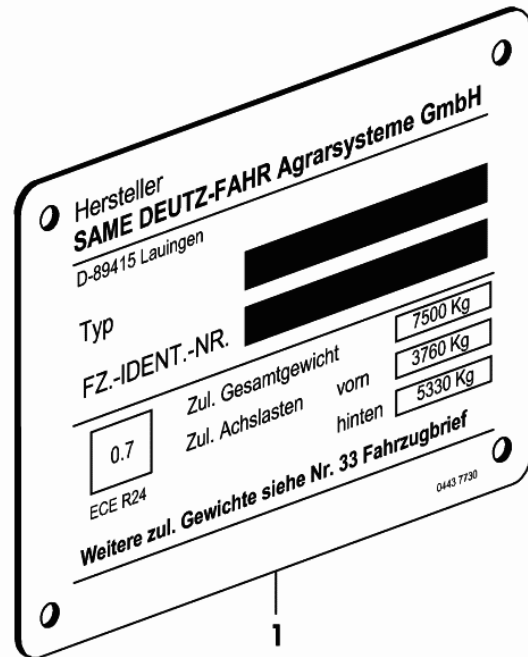


9_A3883_00_0_B

Section: BODY WORK

PLATES

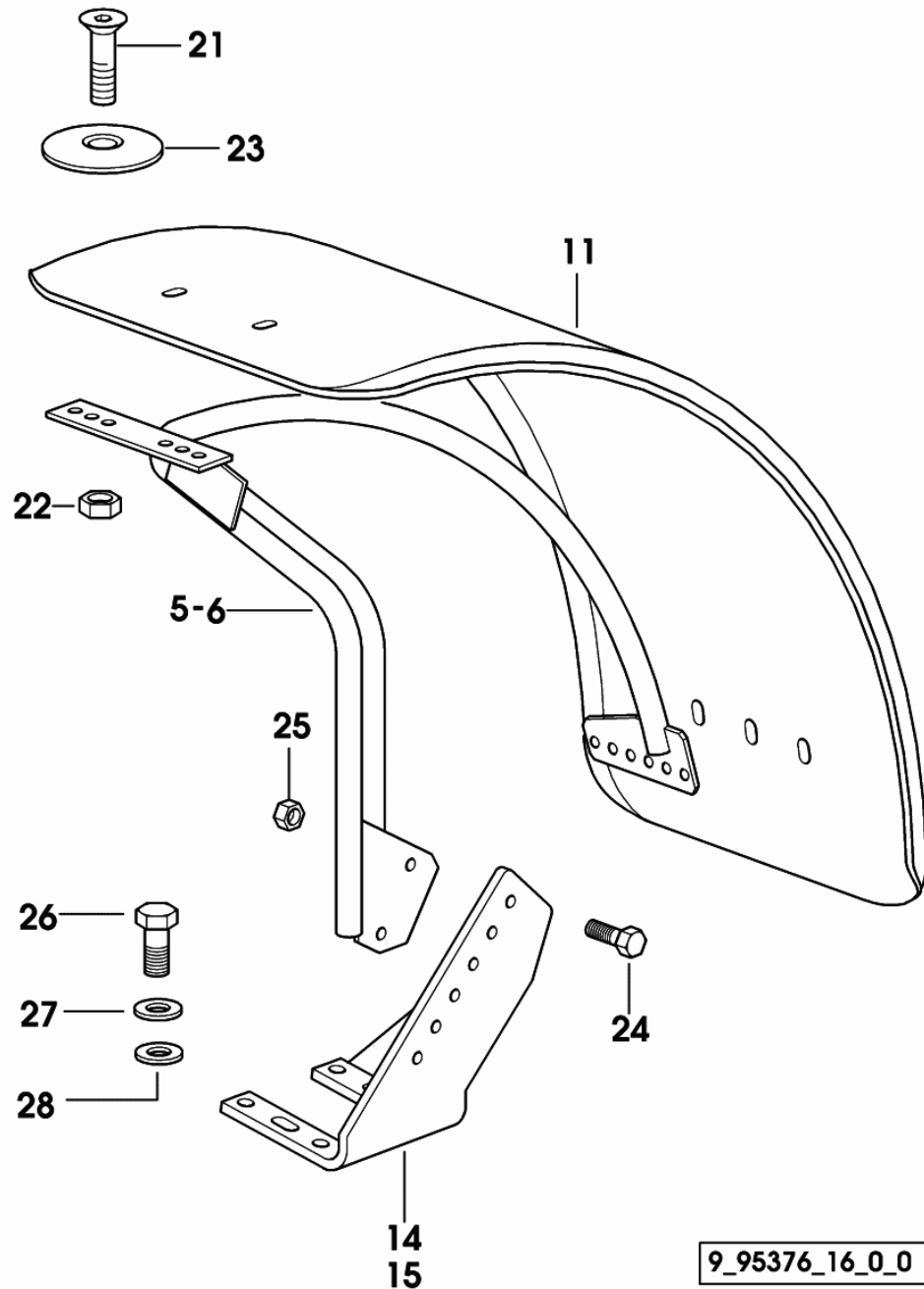
Fig.	Code	QTY	Name
1	04437730	1	number plate
2	01176113	2	rivet



9_A3874_23_0_0

Section: BODY WORK
FRONT MUDGUARDS mm 470

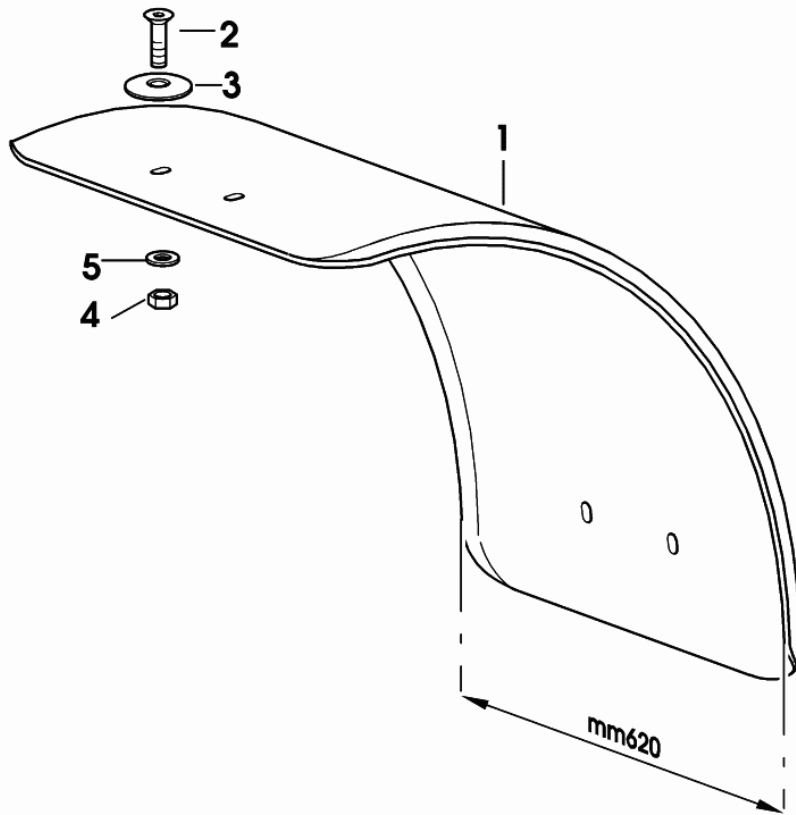
Fig.	Code	QTY	Name
5	04416239	1	support dx/rh/re
6	04416240	1	support sx/lh/li
11	04415575	2	bumpers mm 470
14	04416249	1	lining dx/rh/re
15	04416250	1	lining sx/lh/li
21	2.0342.308.3	8	screw m 8 p.1.25 x 30
22	2.1011.105.3	8	nut
23	2.1399.016.0	8	washer
24	01124837	4	screw m12x50 d933
25	01125801	4	nut m12 d934-10
26	01112679	8	screw m 16 x 35
27	01174738	8	flat washer 12.5x26x6
28	01139580	8	washer 17



9_95376_16_0_0

Section: BODY WORK
FRONT MUDGUARDS mm 620

Fig.	Code	QTY	Name
1	04451241	2	fender mm 620
2	2.0342.308.3	8	screw m 8 p.1.25 x 30
3	2.1399.016.0	8	washer
4	2.1011.105.3	8	nut
5	01136363	8	washer 8.4



9_A3776_17_0_0

Section: BODY WORK
REAR MUDGUARDS

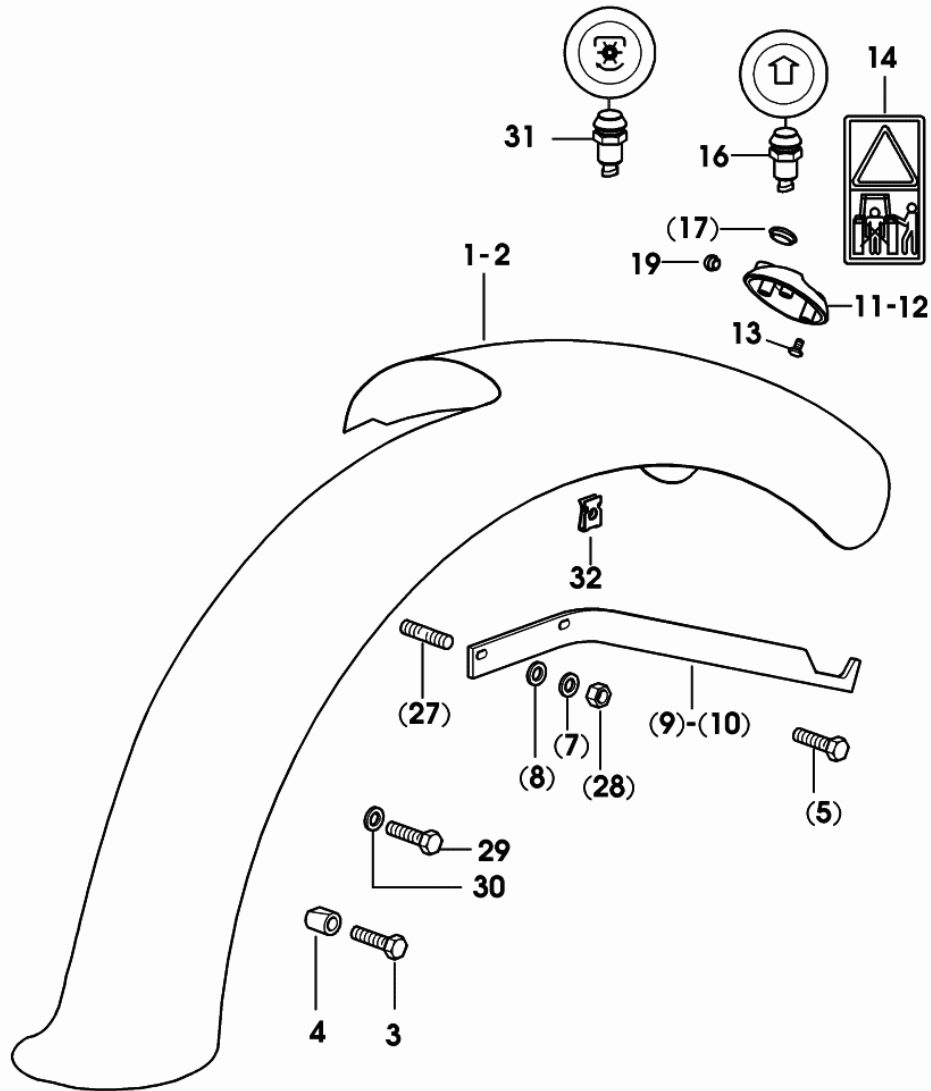
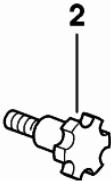
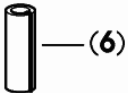
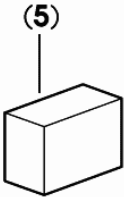
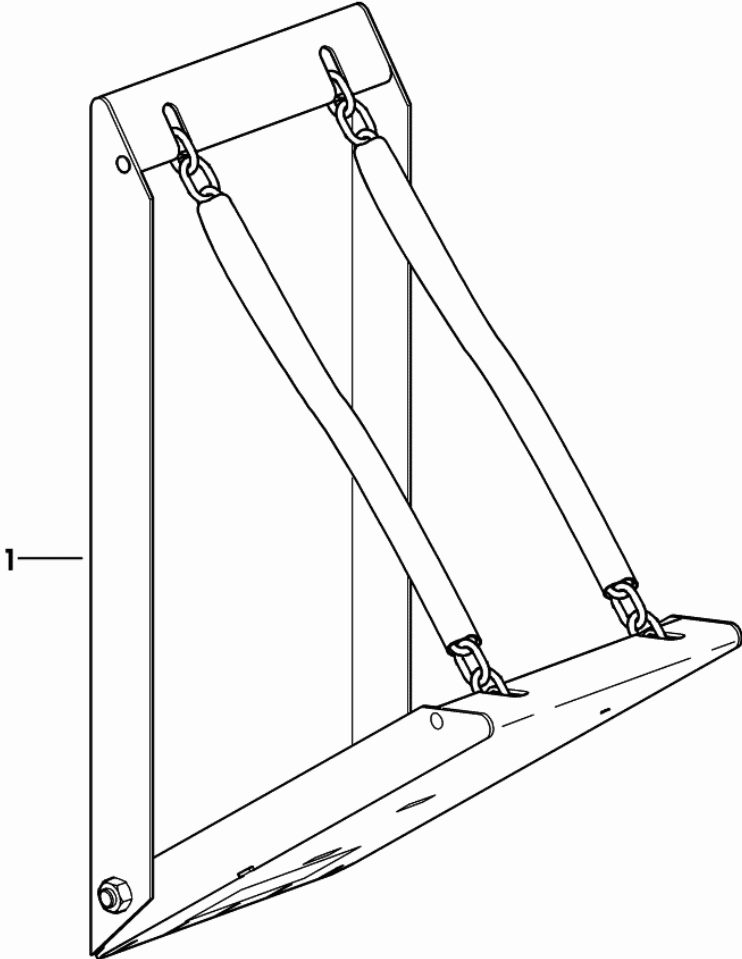


Fig.	Code	QTY	Name
1	04425745	1	fender dx/rh/re
2	04425746	1	fender sx/lh/li
3	04423526	2	screw m 8 x 40
4	04415539	2	bushing
5	01144692	1	screw m 8 p.1.25 x 20 (...) <- X Agrotron 120 MK3 (...) <- X Agrotron 135 MK3 (...) <- X Agrotron 150 MK3 (...) <- X Agrotron 165 MK3
7	02404201	4	washer (...) <- X Agrotron 120 MK3 (...) <- X Agrotron 135 MK3 (...) <- X Agrotron 150 MK3 (...) <- X Agrotron 165 MK3
8	01136363	4	washer 8.4 (...) <- X Agrotron 120 MK3 (...) <- X Agrotron 135 MK3 (...) <- X Agrotron 150 MK3 (...) <- X Agrotron 165 MK3
9	04423688	1	bracket dx/rh/re (...) <- X Agrotron 120 MK3 (...) <- X Agrotron 135 MK3 (...) <- X Agrotron 150 MK3 (...) <- X Agrotron 165 MK3
10	04423689	1	bracket sx/lh/li (...) <- X Agrotron 120 MK3 (...) <- X Agrotron 135 MK3 (...) <- X Agrotron 150 MK3 (...) <- X Agrotron 165 MK3
11	04412686	1	half box dx/rh/re
12	04412685	1	half box sx/lh/li
13	04414188	6	screw
14	04416339	1	plate
16	04412688	4	switch
17	01180575	3	plug 2453 <- X Agrotron 120 MK3 2380 <- X Agrotron 135 MK3 (...) <- X Agrotron 150 MK3 2315 <- X Agrotron 165 MK3
19	04413366	1	plug 20.6
27	01113397	4	stud bolt m 8x30 DIN939 (...) <- X Agrotron 120 MK3 (...) <- X Agrotron 135 MK3 (...) <- X Agrotron 150 MK3

9_95376_20_0_0

Section: BODY WORK
CHOCK

Fig.	Code	QTY	Name
1	04415868/10	1	stop
2	04422689	1	knob
3	04419399	1	nut



9_95376_70_0_0

Section: BODY WORK

PASSENGER SEAT WITH PROTECTIONS

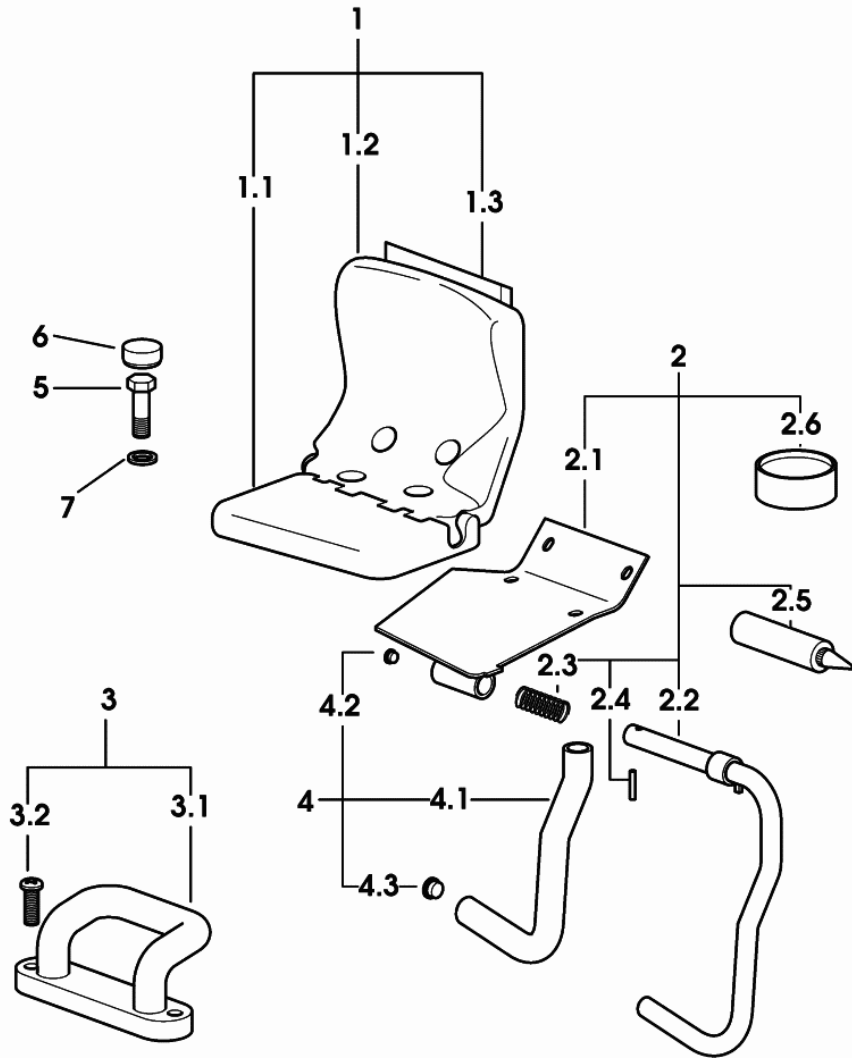


Fig.	Code	QTY	Name
1	04429765.4	1	passenger seat
1.1	04418147	1	seat
1.2	04418148	1	backrest
1.3	04429768	1	glove pocket
2	04429764.4	1	support
2.1	04429763.4	1	support
2.2	04425627.4	1	bracket
2.3	04425750	1	spring
2.4	01115455	1	pin
2.5	04426344	1	fuel
2.6	01007930	0	oil
3	04422400.4	1	handle
3.1	04419922	1	handle
3.2	04415861	2	screw
4	04423676.4	1	guard
4.1	04425747	1	flexible hose
4.2	04425748	1	cap
4.3	01167316	1	plug A 14.7
5	01110591	4	screw m 8 x 40
6	04418895	4	plug
7	01107101	4	washer 8.4

9_95078_07_0_0

Section: BODY WORK
SEAT-COMPONENTS GRAMMER

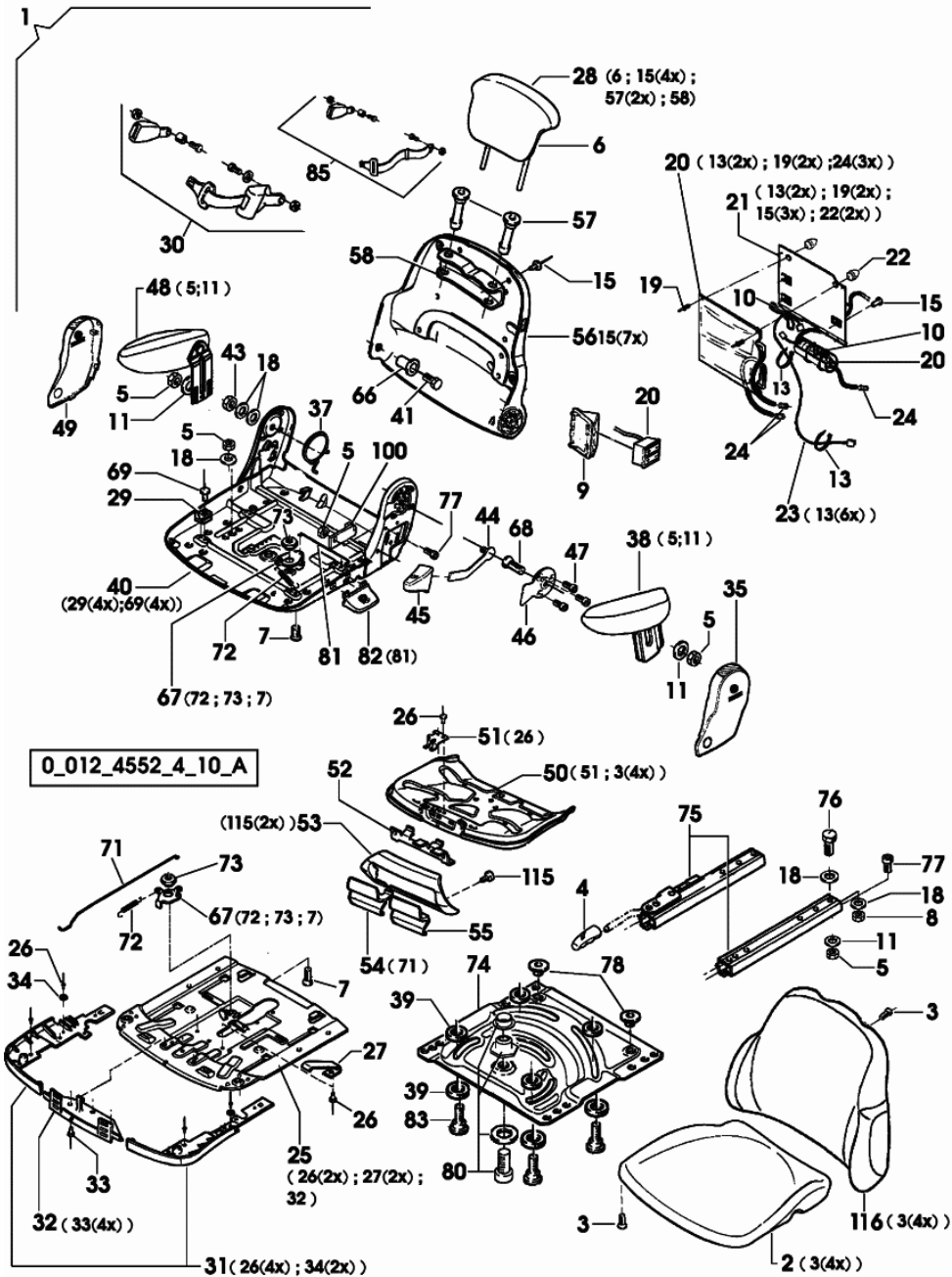


Fig.	Code	QTY	Name
1	0.000.0000.1	0	not serviceable
2	0.010.3066.0	1	cushion
3	0.010.3500.2	8	screw m 5
4	0.010.2943.2	1	knob
5	0.010.2401.0	7	nut m 8
6	0.010.2944.0	1	embroiderhead
7	0.010.3509.1	2	screw
8	0.010.2944.2	4	nut m 8
9	0.010.3066.1	1	body
10	0.010.3509.2	3	clamp
11	0.010.2945.0	5	washer 8.4
13	04418251	6	metal strap
15	0.010.3510.0	7	rivet
18	0.010.3152.0	8	gasket
19	0.010.3510.1	2	rivet
20	0.010.3067.0	1	support
21	0.010.3067.1	1	plate
22	0.010.2275.1	2	stop
23	0.010.3067.2	1	wire
24	0.010.3510.2	3	guard
25	0.010.3068.0	1	plate
26	04418277	7	rivet
27	0.010.3068.1	1	super reduction gear
28	0.010.2946.1	1	embroiderhead
29	0.010.3068.2	4	support
30	0.010.2946.2	1	safety belt
31	0.010.3069.0	1	hood
32	0.010.3069.1	1	console
33	0.010.3511.0	4	rivet
34	0.010.3151.1	2	washer
35	0.010.3511.1	1	cover
37	0.010.2947.1	1	spring
38	0.010.2947.2	1	small arm sx/lh/li
39	0.009.4371.2	8	shim
40	0.010.3544.0	1	chassis frame
41	0.010.2948.0	1	screw m 8 x 40
43	0.010.2948.1	1	nut m 8
44	0.010.2948.2	1	lever
45	0.010.2949.0	1	knob
46	0.010.2949.1	1	plate
47	0.010.2949.2	3	screw m 6
48	0.010.2950.0	1	small arm dx/rh/re
49	0.010.2950.1	1	cover
50	0.010.3069.2	1	plate

Section: BODY WORK
SEAT-COMPONENTS

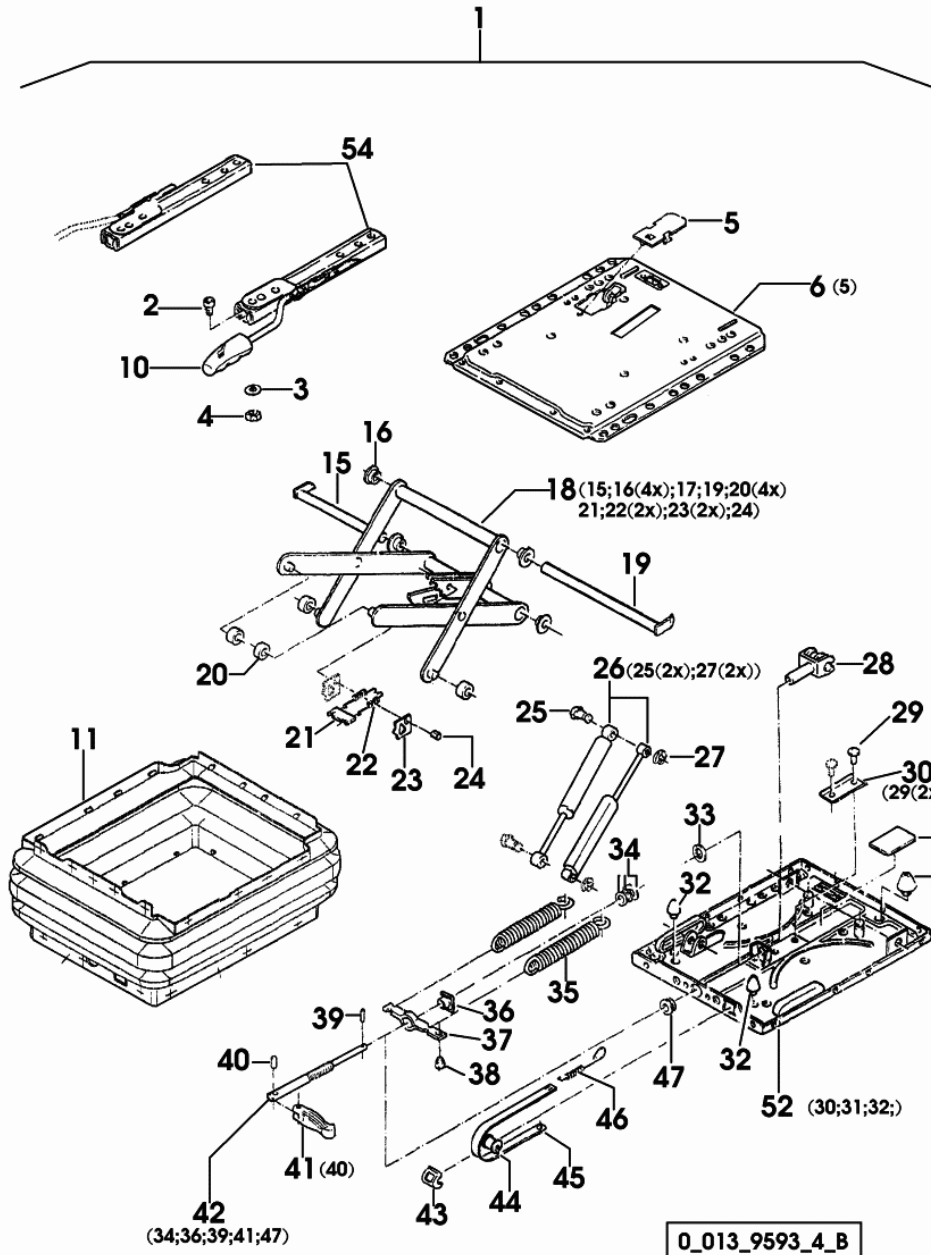


Fig.	Code	QTY	Name
1	0.000.0000.1	0	not serviceable
2	0.010.2405.0	4	pin m 8 x 16
3	0.010.2945.0	4	washer 8.4
4	0.010.2401.0	4	nut m 8
5	0.010.2982.0	1	small cover
6	0.010.3079.0	1	plate
10	0.010.2943.2	1	knob
11	0.010.3079.1	1	bellows
15	0.009.4726.2	1	pin
16	0.009.4715.1	4	spacer
18	0.010.3079.2	1	arm
19	0.010.2074.1	1	pin
20	0.009.4726.1	4	roller
21	0.000.0000.1	0	not serviceable
22	0.000.0000.1	0	not serviceable
23	0.000.0000.1	0	not serviceable
24	0.000.0000.1	0	not serviceable
25	0.010.2966.2	2	screw
26	0.009.4725.0	1	shoch.absorber
27	0.000.0000.1	0	not serviceable
28	0.009.4725.1	1	fork
29	0.000.0000.1	0	not serviceable
30	0.010.2982.1	1	small plate
31	0.000.0000.1	0	not serviceable
32	0.010.2982.2	1	sub-assy parts
33	0.000.0000.1	0	not serviceable
34	0.010.2983.0	1	sub-assy parts
35	0.009.4728.0	2	spring
36	0.009.4495.0	1	special nut
37	0.009.4727.2	1	support
38	0.000.0000.1	0	not serviceable
39	0.000.0000.1	0	not serviceable
40	0.000.0000.1	0	not serviceable
41	0.010.2074.2	1	fork
42	0.010.2075.0	1	register
43	0.009.4496.0	1	bracket
44	0.009.4496.1	1	roller
45	0.009.4728.1	1	rod
46	0.009.4498.2	1	spring
47	0.010.2983.1	1	bushing
52	0.009.4725.2	1	plate
54	0.010.2954.0	1	seat guide

Section: BODY WORK
SEAT-COMPONENTS

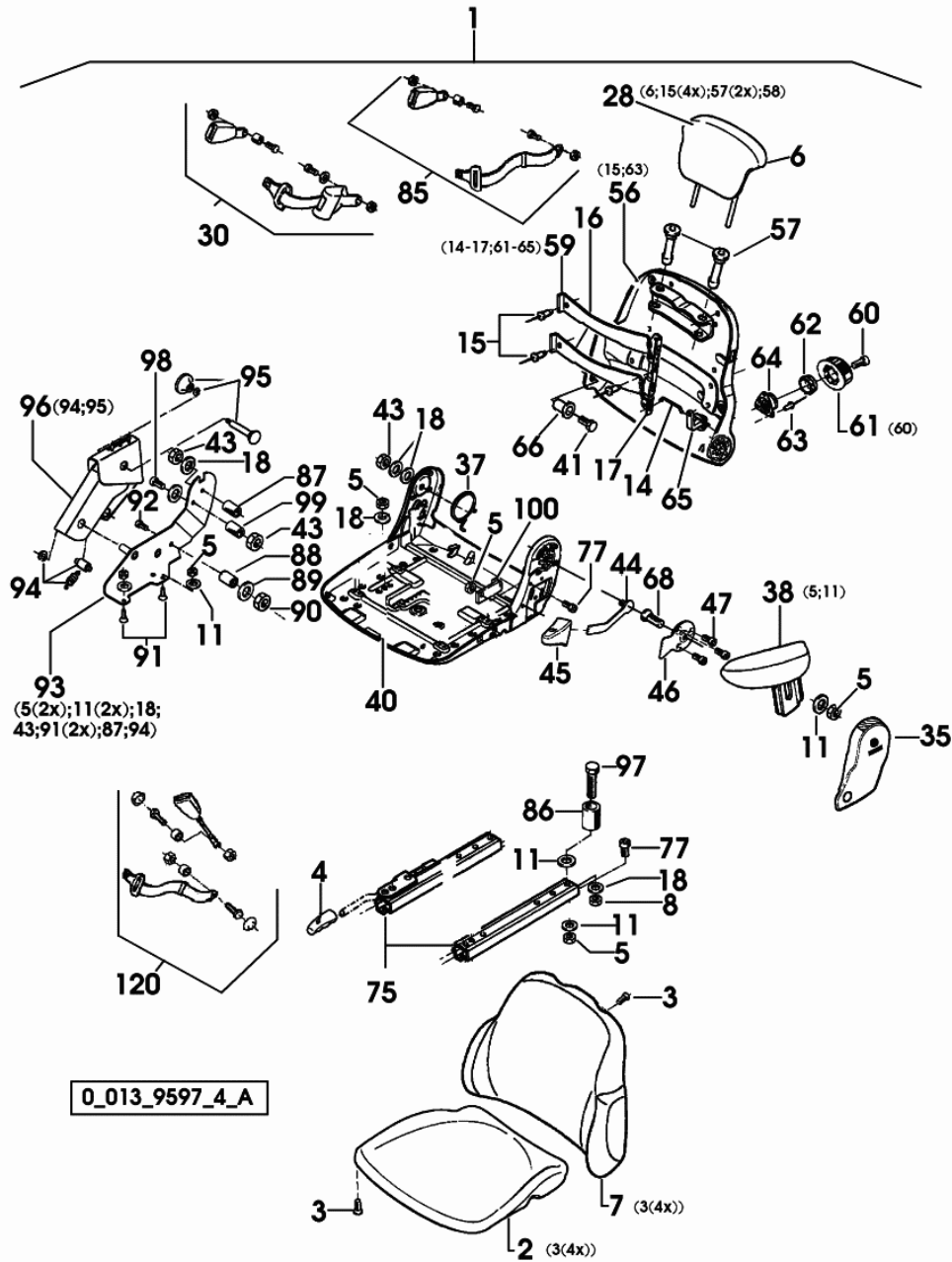
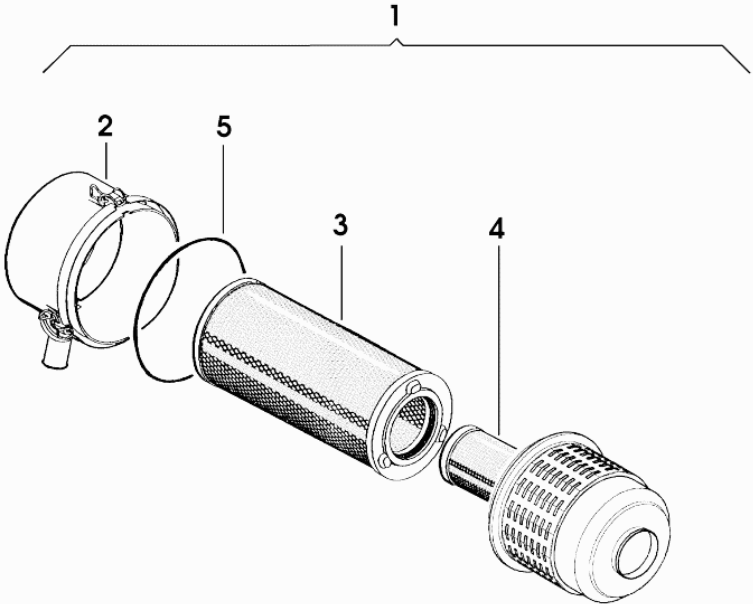


Fig.	Code	QTY	Name
90	0.010.3062.2	1	nut
91	0.000.0000.1	0	not serviceable
92	0.000.0000.1	0	not serviceable
93	0.010.3063.0	1	support dx/rh/re
94	0.010.3063.1	1	repair kit direct gl
95	0.010.3063.2	1	repair kit direct gl
96	0.010.3064.0	1	arm
97	0.010.2954.2	4	screw m 8 p.1.25 x 50
98	0.000.0000.1	0	not serviceable
99	0.000.0000.1	0	not serviceable
100	0.010.2955.0	1	small plate
120	0.900.0077.4	1	safety belt

0_013_9597_4_A

Section: BODY WORK
DRY AIR FILTER

Fig.	Code	QTY	Name
1	04436013.4	1	air filter
2	04436017	1	cap
3	04415901	1	filter
4	04415903	1	internal air filter element
5	04435377	1	ring



0443_6013_4

Section: CAB

SIDE PANEL FIXED dx/rh/re

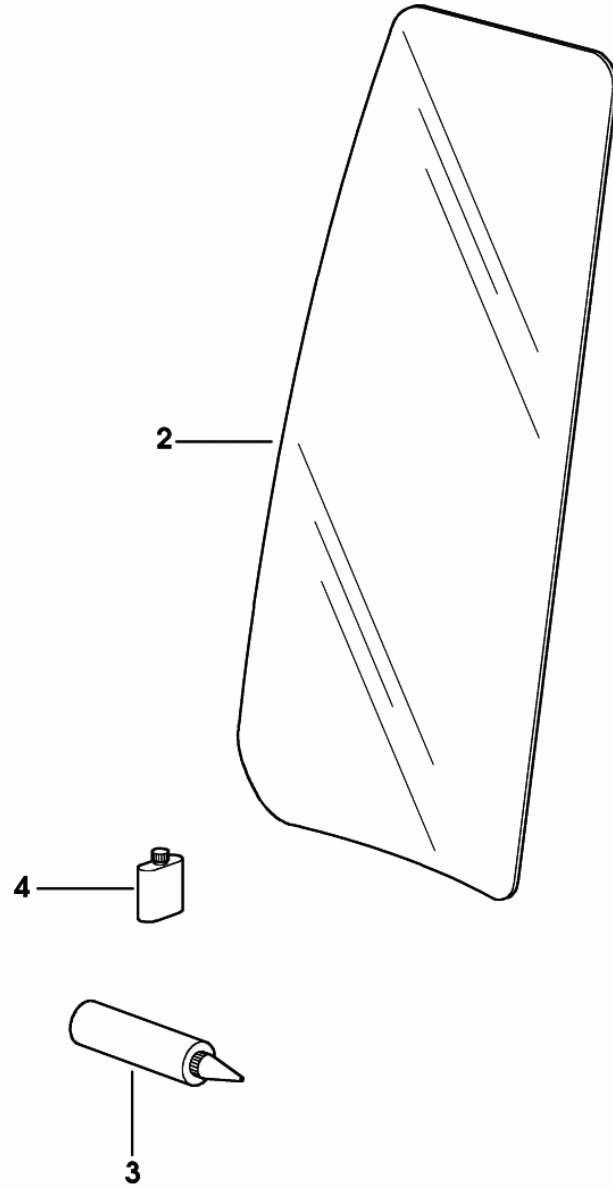


Fig.	Code	QTY	Name
2	04424511	1	glass dx/rh/re
3	04414226	0	sealing compound HENKEL 211-342
4	04414225	0	genuine lubricants HENKEL 148785

9_95071_17_0_0

Section: CAB
WINDSCREEN

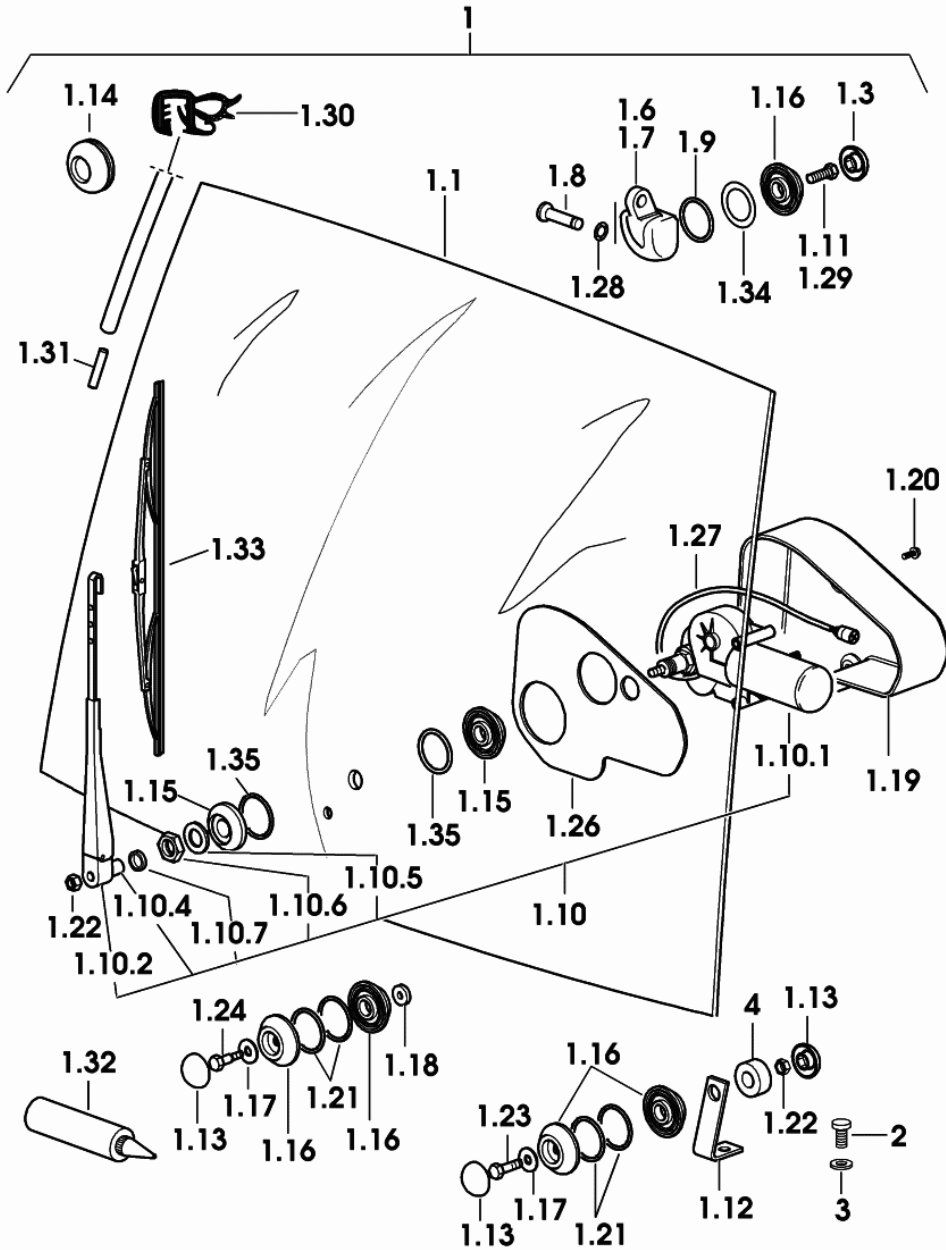


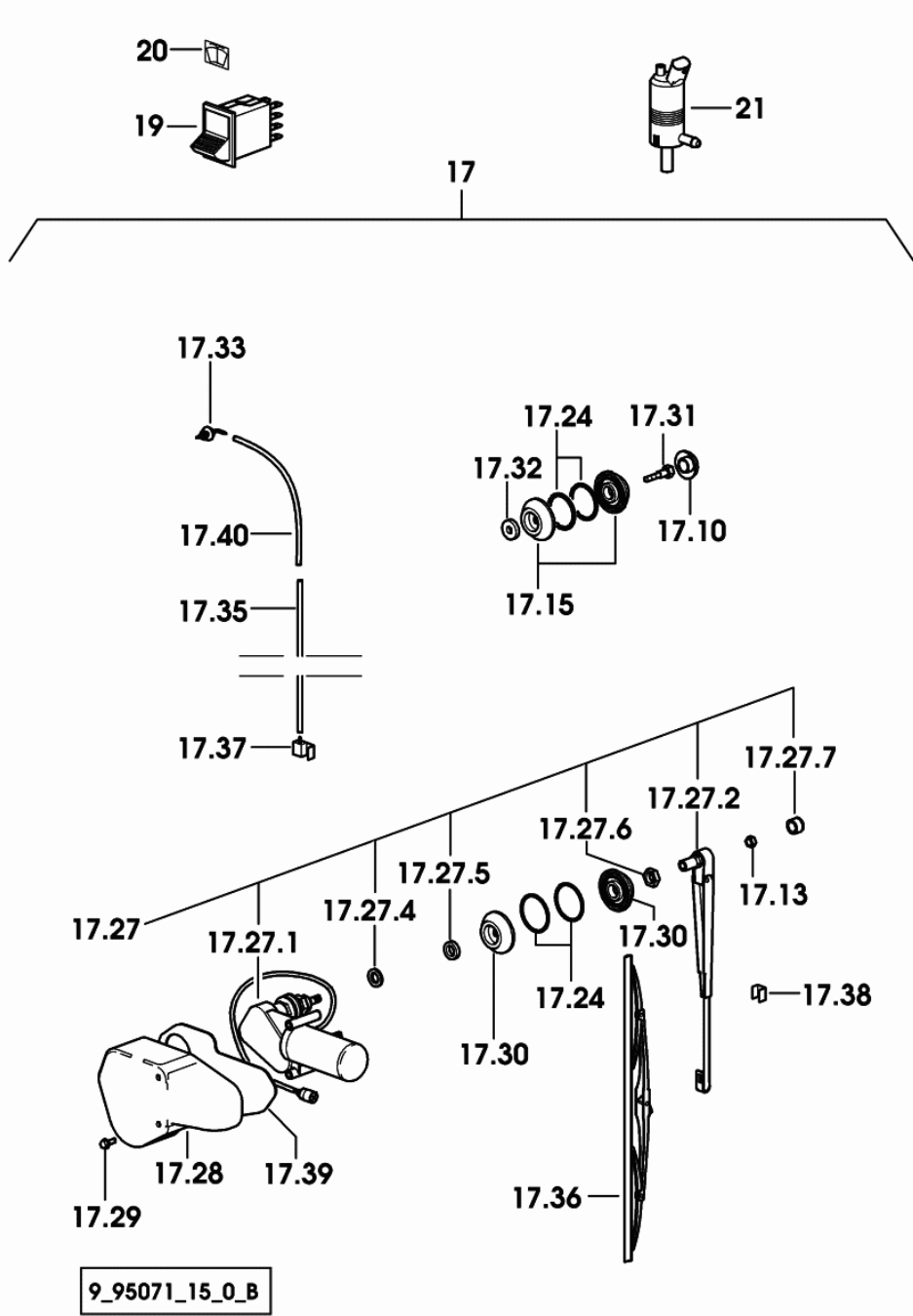
Fig.	Code	QTY	Name
1	0.000.0000.1	0	not serviceable
1.1	04418946	1	tempered glass
1.3	04429423	2	washer
1.6	04411248/10	1	hinge sx/lh/li
1.7	04411247/10	1	hinge dx/rh/re
1.8	04413797	2	pin
1.9	2.1530.078.0	2	'o' ring 29.74x3.53
1.10	04411868.4	1	windscreen wiper
1.10.1	04413192	1	wiper motor
1.10.2	04413193	1	arm
1.10.4	04413208	2	bushing
1.10.5	04414586	2	spacer
1.10.6	04413207	1	nut
1.10.7	04413210	1	cap
1.11	01144809	2	screw
1.12	04413788	1	bearing
1.13	04413793	5	cap
1.14	04413804	2	plug 14x25x12
1.15	04413223	2	washer
1.16	04412814	2	washer
1.17	01151019	4	washer 8.4
1.18	04413808	1	washer 6.5x20x5
1.19	04412044	1	cover
1.20	04415861	2	screw
1.21	01166059	4	'o' ring 40x3
1.22	01112824	2	nut m 8, d934
1.23	01144809	1	screw
1.24	04413809	1	screw
1.26	04414610	1	gasket
1.27	04412045	1	electrical system
1.28	01155120	2	washer
1.29	04438410	2	screw m 8 x 25
1.30	0.010.5147.0	0	gasket
1.31	01388794	0	parting 9x4,5
1.32	01016121	0	sealing compound
1.33	04413194	1	wiper blade
1.34	04411716	2	washer
1.35	01166042	2	ring
2	04413811	2	screw m 6 p.1.0 x 16
3	01107095	2	washer 6.4
4	04414994	1	washer

9_95071_11_0_0

Section: CAB

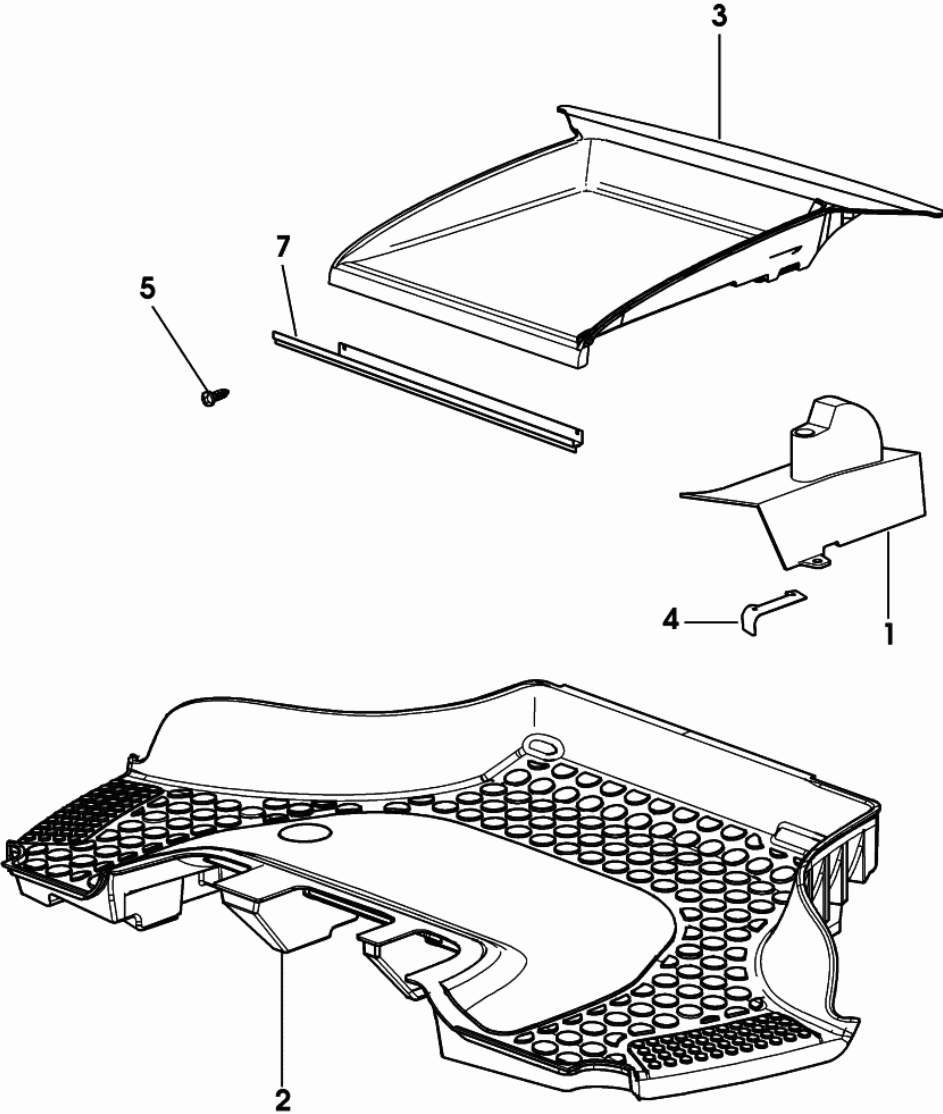
REAR HATCH WITH WIPER

Fig.	Code	QTY	Name
21	04414105	1	electropump



Section: CAB
CAB INTERIOR TRIM

Fig.	Code	QTY	Name
1	04429291	1	cover
2	04429038/10	1	small carpet
3	04429039	1	small carpet
4	04429729	1	bracket
5	04426906	2	screw 4.2x16
7	04429938	1	channel



9_95371_22_0_0

Section: CAB

CONTROL CONSOLE LEFT

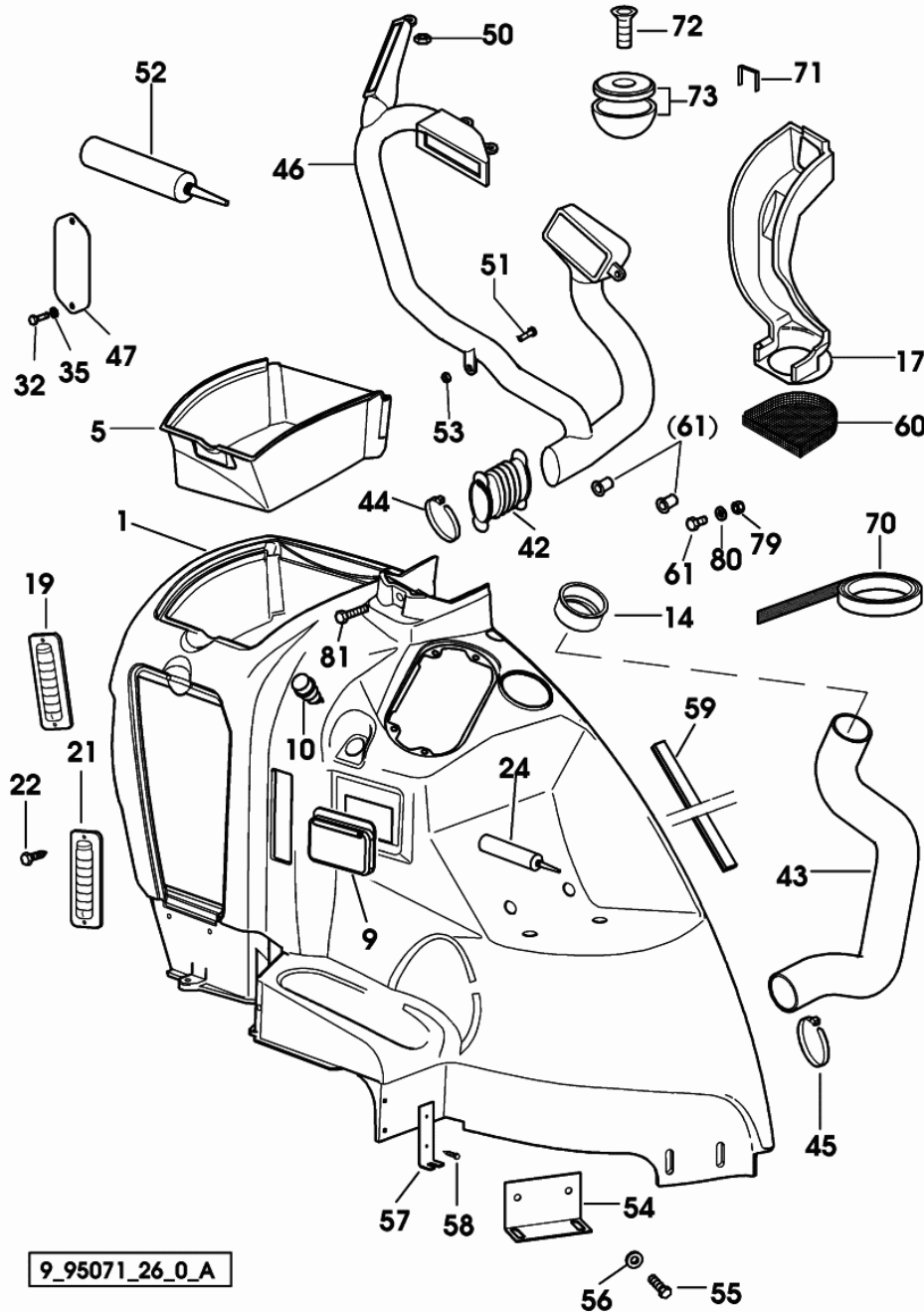
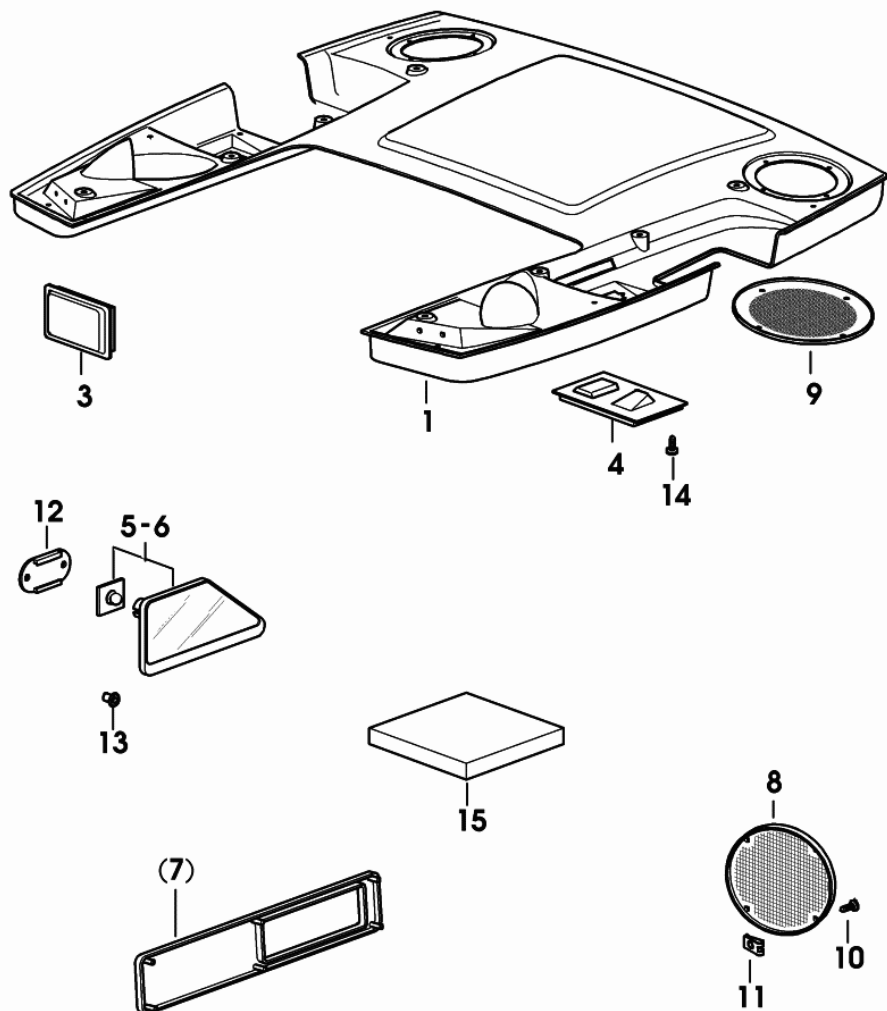


Fig.	Code	QTY	Name
1	04429044	1	console
5	04429274	1	glove pocket
9	04412336	1	ash-try
10	04412338	1	cigar lighter
14	04431564	1	pipe fitting
17	0.010.9957.0	1	tube sx/lh/li
			2350 <- X Agrotron 120 MK3
			2270 <- X Agrotron 135 MK3
			2174 <- X Agrotron 150 MK3
			2247 <- X Agrotron 165 MK3
17	04451226	1	channel
			-> 2351 X Agrotron 120 MK3
			-> 2271 X Agrotron 135 MK3
			-> 2175 X Agrotron 150 MK3
			-> 2248 X Agrotron 165 MK3
19	04411423	1	blower
21	04429278	1	blower
22	04426906	9	screw 4.2x16
24	04414226	0	sealing compound HENKEL 211-342
32	2.0350.203.3	9	screw 3.5x9.5
35	01119810	9	washer 6.4
42	0.011.5581.0	1	boot
43	04431843	0	flexible hose
44	01173143	1	clamp 4,6x280
45	01137413	1	hose clip Ø 32/50
46	04429710/10	1	air shaft
47	0.011.3788.0	1	plate
50	01114357	3	nut m 6, d985
51	01127031	1	screw m 6 x 30, d933
52	04450288	0	adhesive HENKEL 80891
53	04450292	4	rivet
54	04429870	1	support
55	01112333	2	screw m 8 x 25, d933
56	01138374	2	washer 8,4x21x4
57	04429758	1	support
58	01127683	2	screw m 4.2x13
59	04418723	0	profile
60	0.011.5949.0	1	protective mesh
61	01112264	2	screw m 6 x 20, d933
70	01171694	2	clamp 172X4.6
71	04450845	20	brace
72	2.0342.207.6	1	screw m 6 p.1 x 25
73	04419538	1	guard
79	2.1120.003.2	2	nut m 6

ROOF COVERING FOR SKYLIGHT

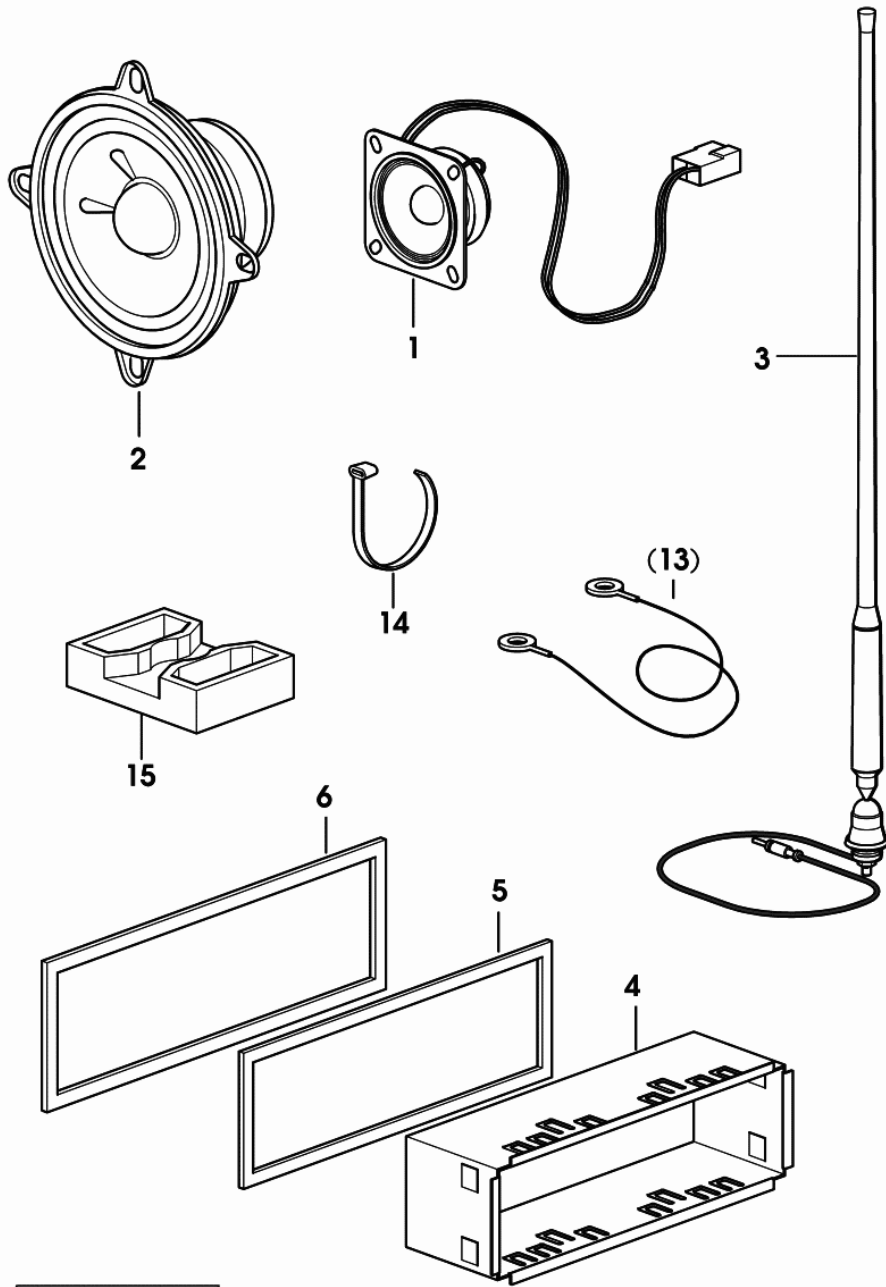
Fig.	Code	QTY	Name
1	04429022	1	lining
3	04426316	1	interior light
4	04412616	1	light
5	0.012.2111.4	1	mirror sx/lh/li
6	0.012.2112.4	1	mirror dx/rh/re
8	0.012.1724.0	2	grille
9	0.012.1723.0	2	grille
10	04416257	16	screw
11	01180397	18	nut
12	0.012.2107.0/10	2	support
13	04414182	4	rivet 4.8
14	04414185	2	screw m3,5x16
15	04429947	1	gasket



9_95071_64_0_A

Section: CAB
KIT RADIO

Fig.	Code	QTY	Name
1	0.012.1725.0	2	loud speaker
2	0.012.1726.0	2	loud speaker
3	0.011.7543.3/20	1	radio aereo
4	0.012.2091.4	1	small frame
5	0.012.2089.4	1	frame
6	0.012.2090.4	1	frame
14	01172065	10	clamp 4.6 x 146
15	01179020	3	wire guide

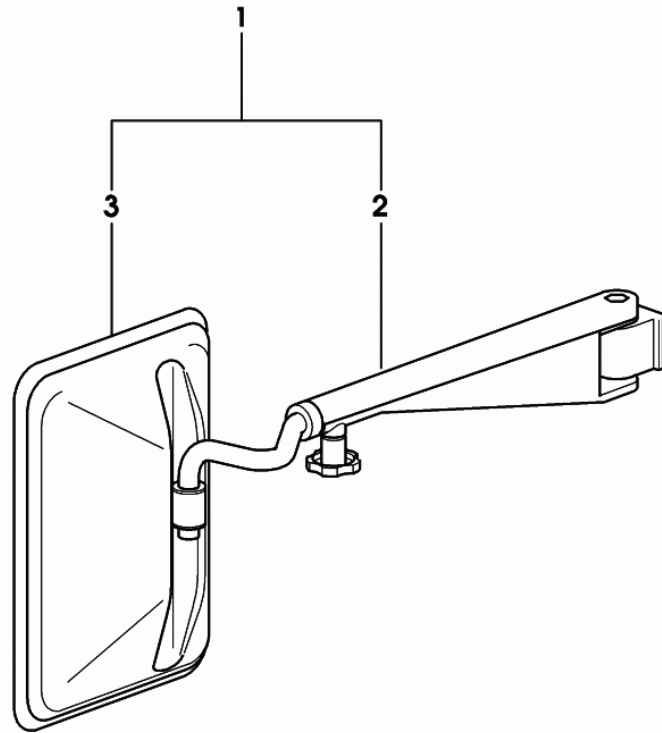


9_95071_39_0_0

Section: CAB

REARVIEW MIRROR

Fig.	Code	QTY	Name
1	0.012.4392.4	1	rear view mirror dx/rh/re
2	0.010.3563.2	1	rod
3	0.010.3564.0	1	rear view mirror

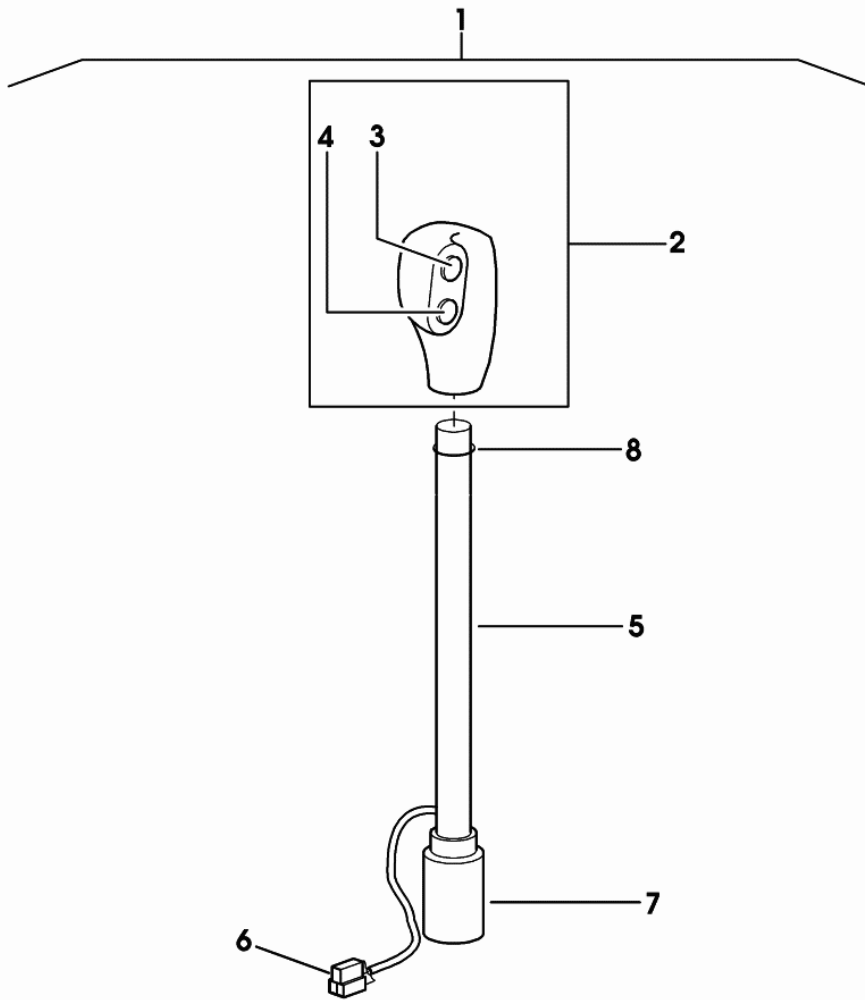


0_012_4392_4

Section: COMPONENTS

TRANSMISSION CONTROL LEVERS

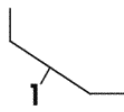
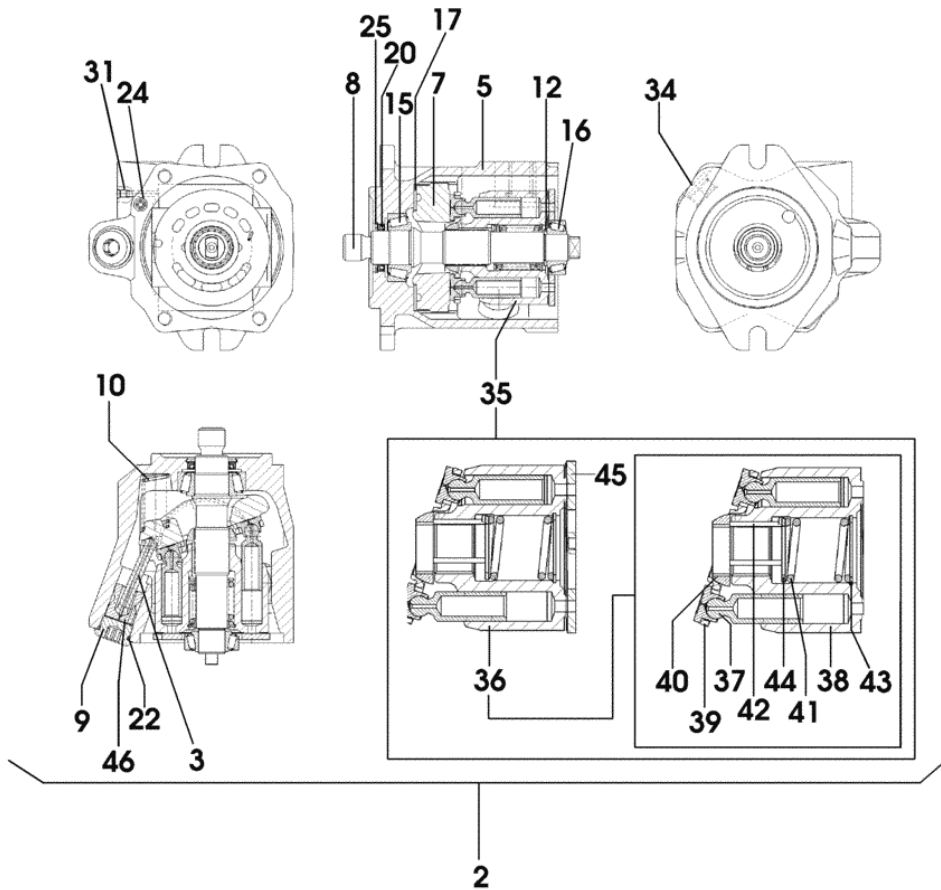
Fig.	Code	QTY	Name
1	04422746.4/10	1	lever ☞ 04422746.4/10
2	04411538.4	1	knob
3	04414531	1	switch
4	04436298	1	cap
5	04429989	1	rod
6	06214004	1	sleeve
7	04422755	1	support
8	04429992	1	'o' ring



04422746_4_10

Section: COMPONENTS
OIL PUMP

Fig.	Code	QTY	Name
1	04432500/10	1	hydraulic pump ☞ 04432500/10 ☞ 04432500/10 ☞ 04432500/10
2	0.010.3850.1	1	hydraulic pump
3	0.010.2765.0	1	piston
5	0.010.3851.1	1	pump
7	0.010.3851.2	1	plate
8	0.010.3852.0	1	shaft
9	0.010.3852.1	1	plug
10	0.010.2766.2	1	spring
12	0.010.2767.0	1	ring
15	0.010.2767.1	1	bearing
16	0.010.2767.2	1	bearing
17	0.010.2768.0	2	plate
20	0.010.2768.1	1	ring
22	0.010.2769.0	1	'o' ring 23.7x2.8
24	0.010.2769.1	1	'o' ring 7.65x1.68
25	0.010.2769.2	1	circlip 40 x 1.75
31	0.010.2770.1	2	plug m 6
34	0.010.2771.0	1	plug 7/8"
35	0.010.3852.2	1	rotor
36	0.010.3853.0	1	rotor
37	0.010.2762.0	9	piston
38	0.010.3853.1	1	cylinder
39	0.010.2762.2	1	plate
40	0.010.2763.0	1	ring
41	0.010.3853.2	1	circlip
42	0.010.2763.2	3	pin
43	0.010.2764.0	1	circlip
44	0.010.2764.1	1	snoulder
45	0.010.3854.0	1	plate
46	0.010.2764.2	1	cylinder



04432500_10_A

Section: COMPONENTS
SEAT-COMPONENTS GRAMMER

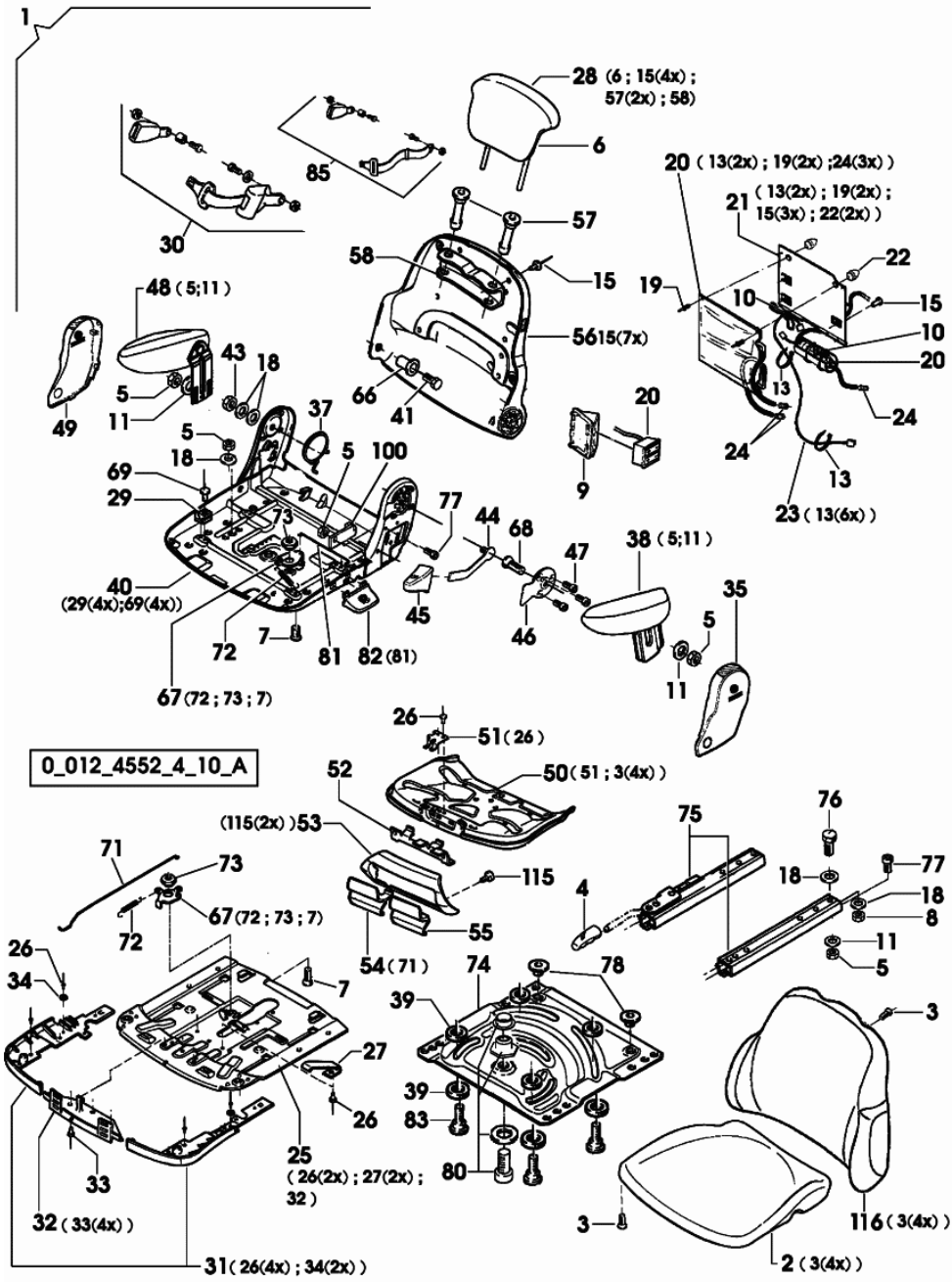
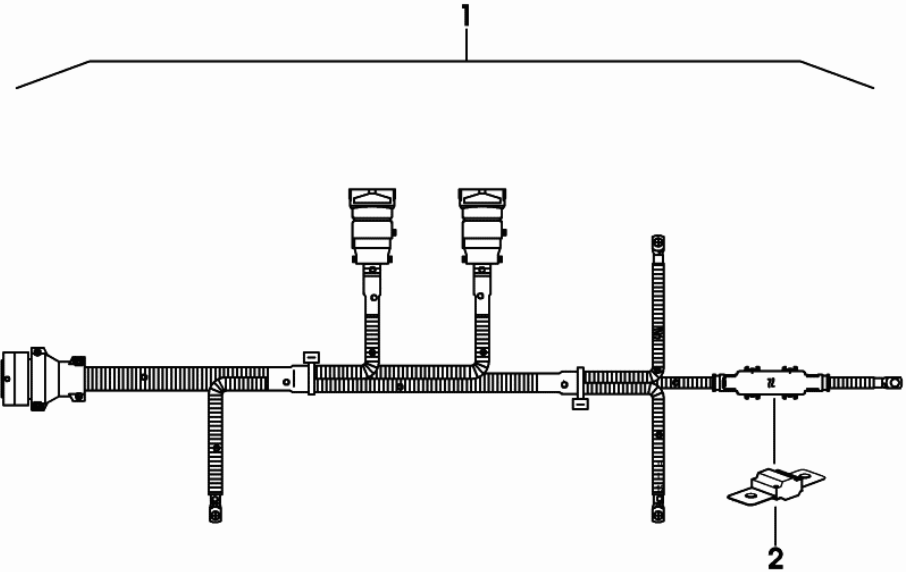


Fig.	Code	QTY	Name
1	0.000.0000.1	0	not serviceable
2	0.010.3066.0	1	cushion
3	0.010.3500.2	8	screw m 5
4	0.010.2943.2	1	knob
5	0.010.2401.0	7	nut m 8
6	0.010.2944.0	1	embroiderhead
7	0.010.3509.1	2	screw
8	0.010.2944.2	4	nut m 8
9	0.010.3066.1	1	body
10	0.010.3509.2	3	clamp
11	0.010.2945.0	5	washer 8.4
13	04418251	6	metal strap
15	0.010.3510.0	7	rivet
18	0.010.3152.0	8	gasket
19	0.010.3510.1	2	rivet
20	0.010.3067.0	1	support
21	0.010.3067.1	1	plate
22	0.010.2275.1	2	stop
23	0.010.3067.2	1	wire
24	0.010.3510.2	3	guard
25	0.010.3068.0	1	plate
26	04418277	7	rivet
27	0.010.3068.1	1	super reduction gear
28	0.010.2946.1	1	embroiderhead
29	0.010.3068.2	4	support
30	0.010.2946.2	1	safety belt
31	0.010.3069.0	1	hood
32	0.010.3069.1	1	console
33	0.010.3511.0	4	rivet
34	0.010.3151.1	2	washer
35	0.010.3511.1	1	cover
37	0.010.2947.1	1	spring
38	0.010.2947.2	1	small arm sx/lh/li
39	0.009.4371.2	8	shim
40	0.010.3544.0	1	chassis frame
41	0.010.2948.0	1	screw m 8 x 40
43	0.010.2948.1	1	nut m 8
44	0.010.2948.2	1	lever
45	0.010.2949.0	1	knob
46	0.010.2949.1	1	plate
47	0.010.2949.2	3	screw m 6
48	0.010.2950.0	1	small arm dx/rh/re
49	0.010.2950.1	1	cover
50	0.010.3069.2	1	plate


Section: COMPONENTS
ELECTRICAL SYSTEM

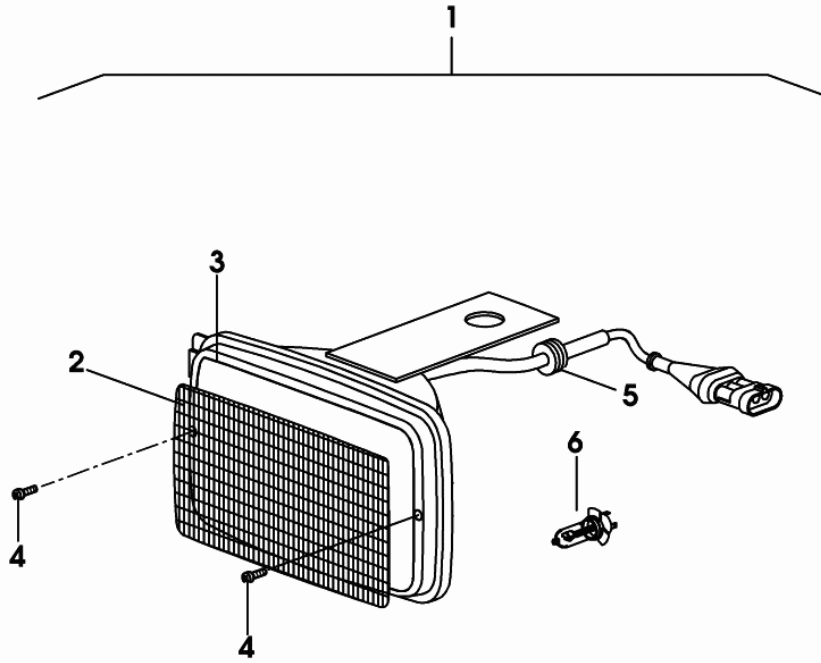
Fig.	Code	QTY	Name
1	04437846/20	1	electrical system ☞ 04437846/20
2	0.010.3658.0	1	fuse 100 A megaval



04437846_20

Section: COMPONENTS
HEADLAMP COMPONENTS

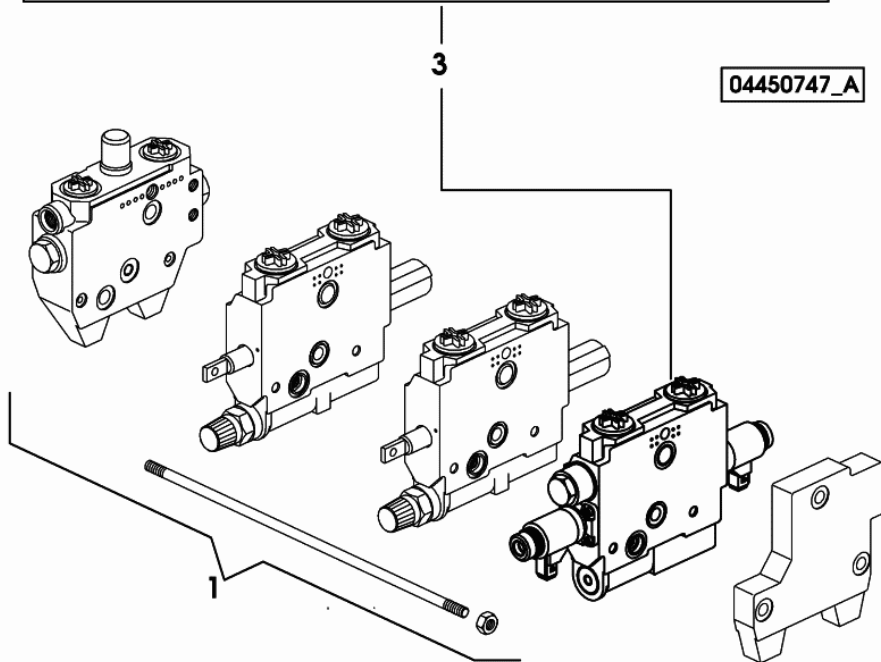
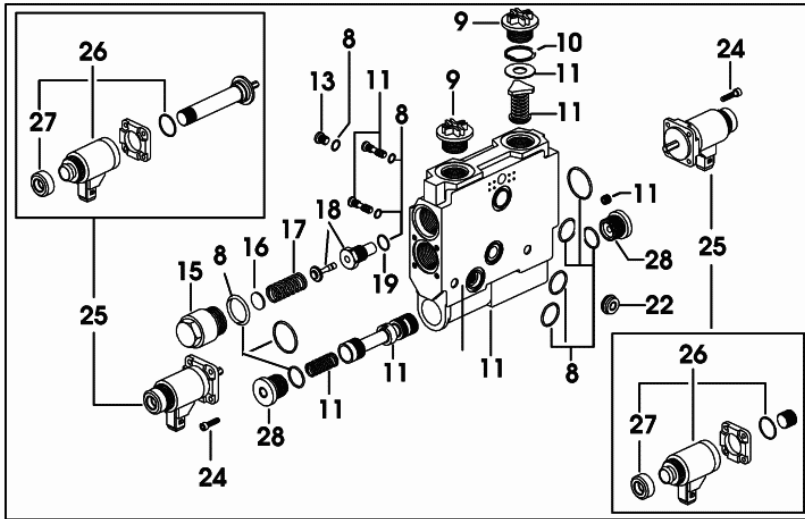
Fig.	Code	QTY	Name
1	04450666	1	headlight  04450666
2	0.010.3915.2	1	window glass
3	0.010.3916.0	1	gasket
4	0.010.3916.1	2	screw B3.5x38
5	0.010.3916.2	1	wire guide
6	0.010.3917.0	1	lamp H3 12V 55W



04450666

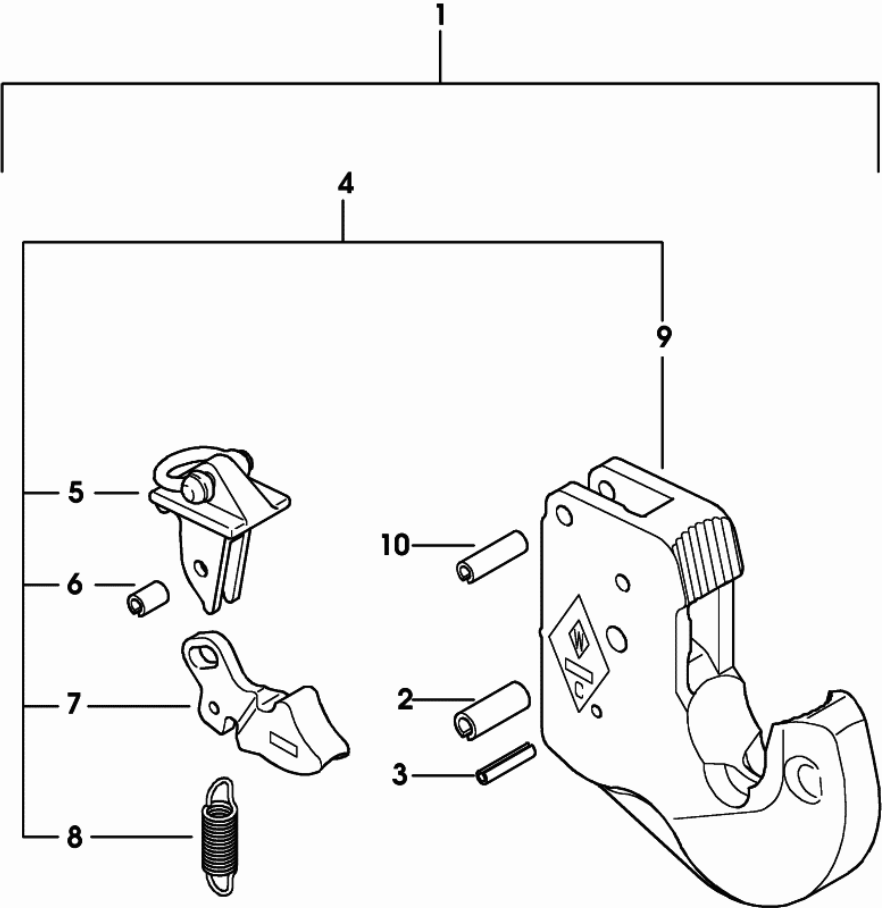
Section: COMPONENTS
DISTRIBUTOR PARTS

Fig.	Code	QTY	Name
1	04450747	1	hydraulic control bl ☞ 04450747 ☞ 04450747 ☞ 04450747
3	04428917	1	regulator
8	0.010.3529.2	1	gasket set
9	0.010.3139.0	2	cap
10	0.010.2440.1	1	circlip
11	0.000.0000.1	0	not serviceable
13	04418220	1	screw
15	04427656	1	screw
16	2.3719.040.1	1	snoulder 0.5
16	04417986	0	shim 0.3
16	04417987	0	shim 0.4
16	04417988	0	shim 0.8
17	04418218	1	spring
18	04418219	1	insert
19	0.010.3333.2	1	'o' ring 12x1.75
22	04418197	1	valve
24	01126909	8	screw m 4 x 8
25	0.010.2439.0	2	coil
26	04428919	1	electro valve
27	0.010.2439.1	1	cap
28	04419758	2	screw



Section: COMPONENTS
TOWING HITCH

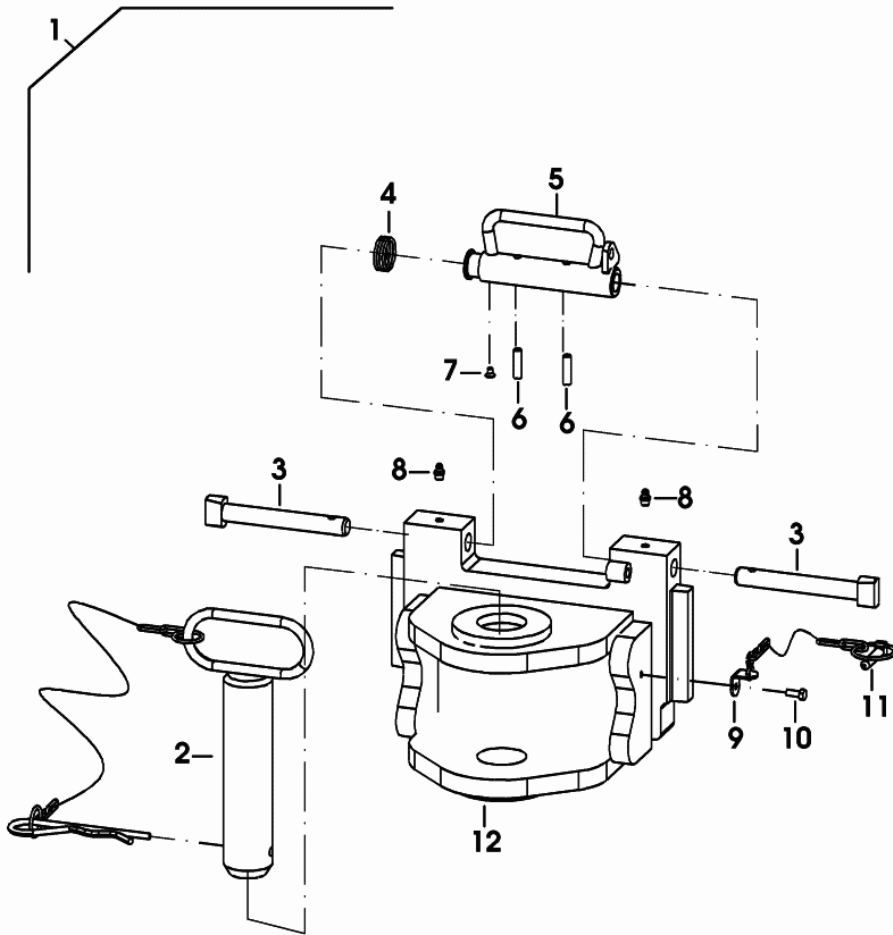
Fig.	Code	QTY	Name
1	04435246.4	1	clevis ☞ 04435246.4
2	01115502	1	pin
3	01115455	1	pin
4	04435245.4	1	automatic hook
5	04436137	1	lever
6	01157357	1	grain
7	04436138	1	ratchet
8	04417745	1	spring
9	04436134	1	handle
10	01157378	1	pin



0443_5246_4

Section: COMPONENTS
REAR TOWING HITCH D3

Fig.	Code	QTY	Name
1	04419100.4	1	tow hook D3 ☞ 04419100.4
2	04419136	1	pin
3	04417893	2	pin
4	04419128	1	spring
5	0.010.3080.1	1	handle
6	01115469	2	pin 8 x 30
7	04417922	1	screw
8	01168225	2	lubricator m 8 x 1
9	04419131	1	stop
10	0.000.0000.1	1	not serviceable
11	04417930	1	spring
12	04419100	1	tow hook



0441_9100_4

Section: COMPONENTS
REAR TOWING HITCH BRACKET

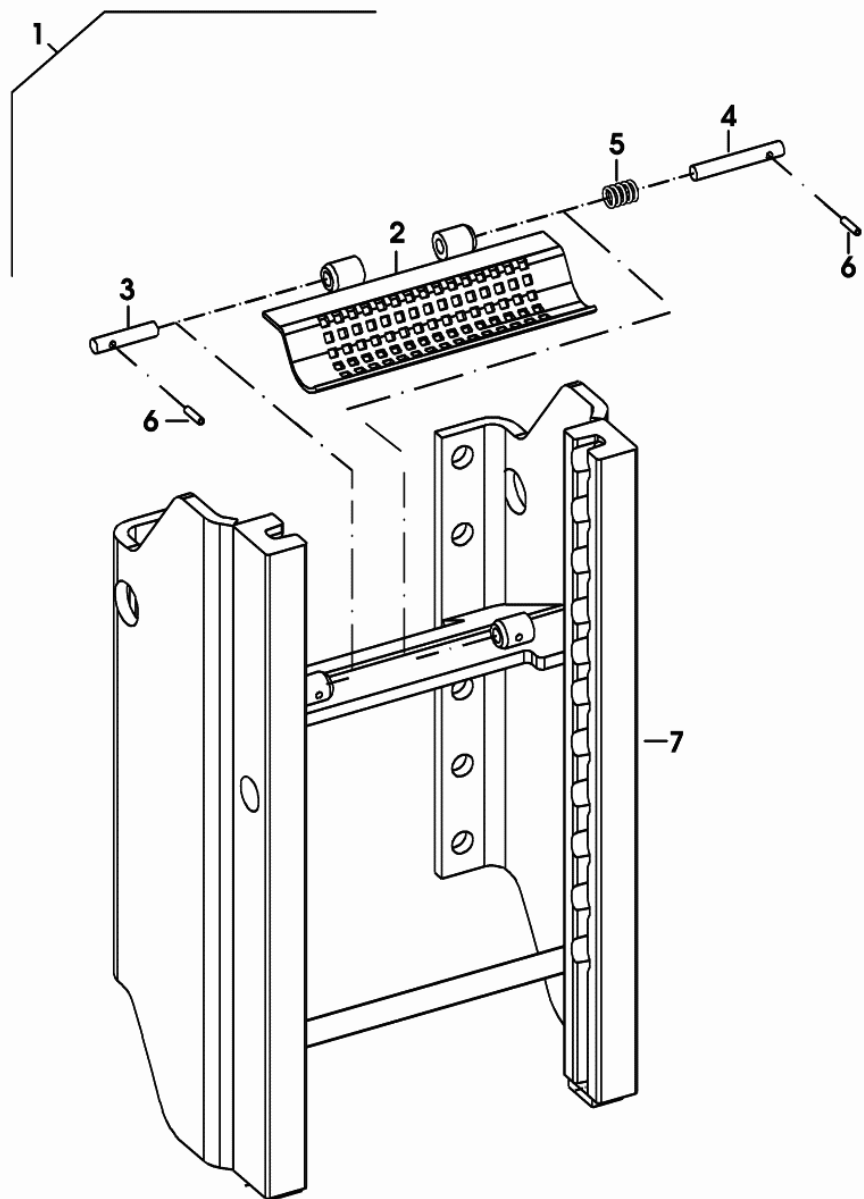


Fig.	Code	QTY	Name
1	04424303.4	1	chassis frame ☞ 04424303.4
2	04417897	1	cover
3	04417896	1	pin
4	04417895	1	pin
5	04417930	1	spring
6	0.000.0000.1	2	not serviceable
7	04424303	1	chassis frame

0442_4303_4

CLICK HERE TO **DOWNLOAD** THE COMPLETE MANUAL

- Thank you very much for reading the preview of the manual.
- You can download the complete manual from: www.heydownloads.com by clicking the link below

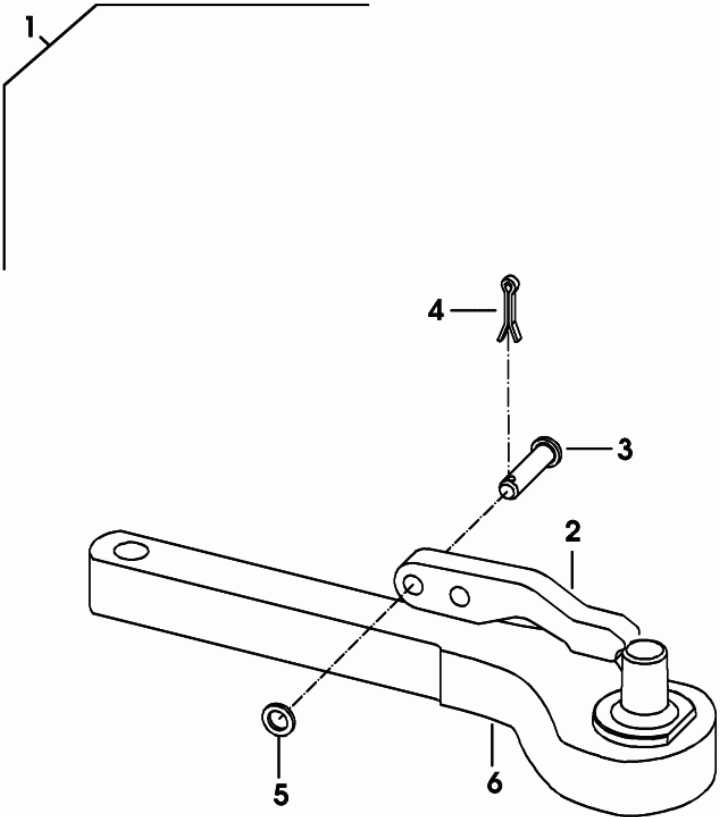


- Please note: If there is no response to CLICKING the link, please download this PDF first and then click on it.

CLICK HERE TO **DOWNLOAD** THE COMPLETE MANUAL

Section: COMPONENTS
TOWING BAR

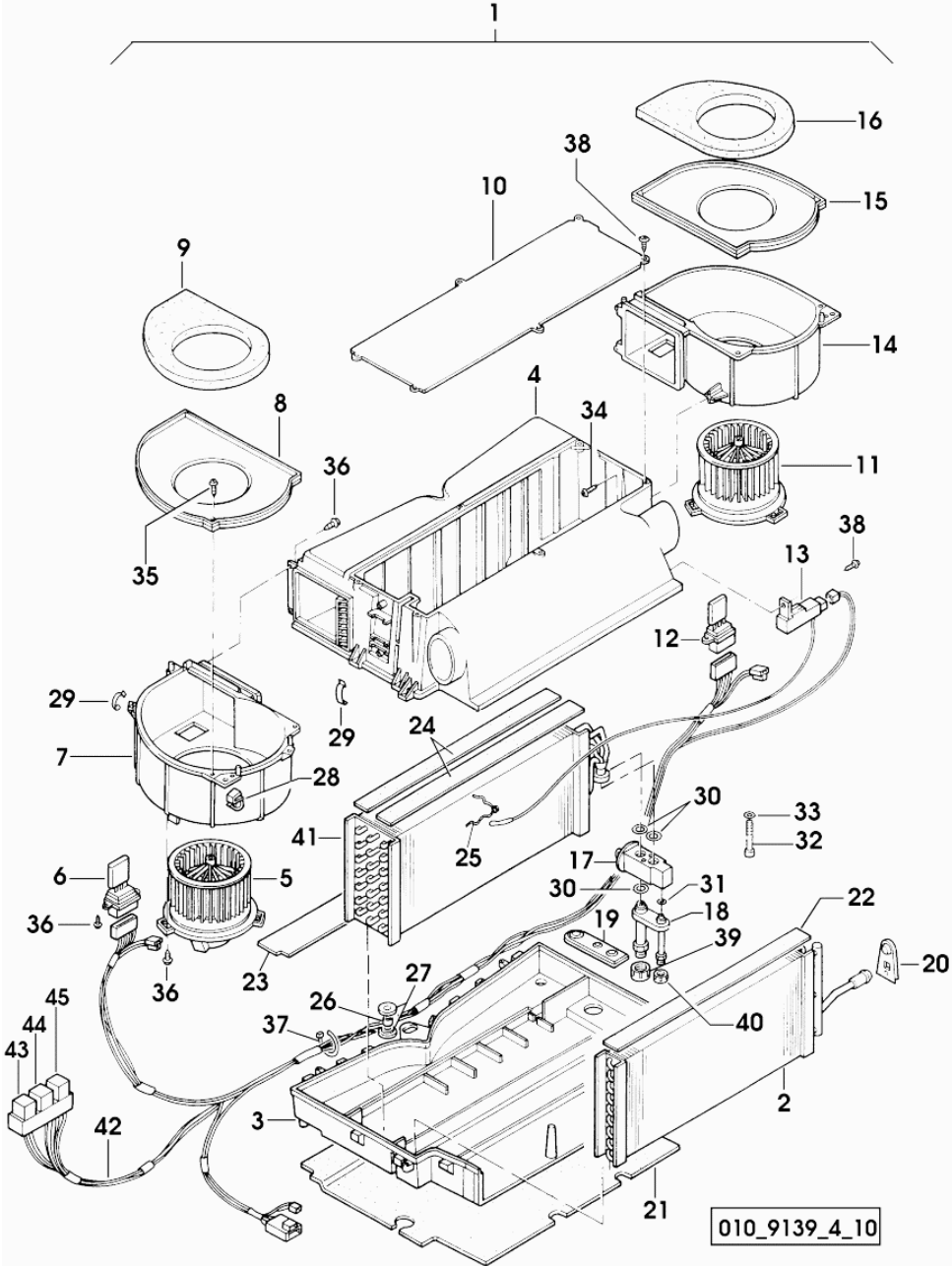
Fig.	Code	QTY	Name
1	04426458.4	1	draw bar ☞ 04426458.4
2	04424136	1	link
3	04413396	1	pin
4	01143010	1	split pin
5	01107124	1	washer 21x37x3 d125
6	04416000	1	tow hook



0442_6458_4

Section: COMPONENTS
AIR CONDITIONER PARTS

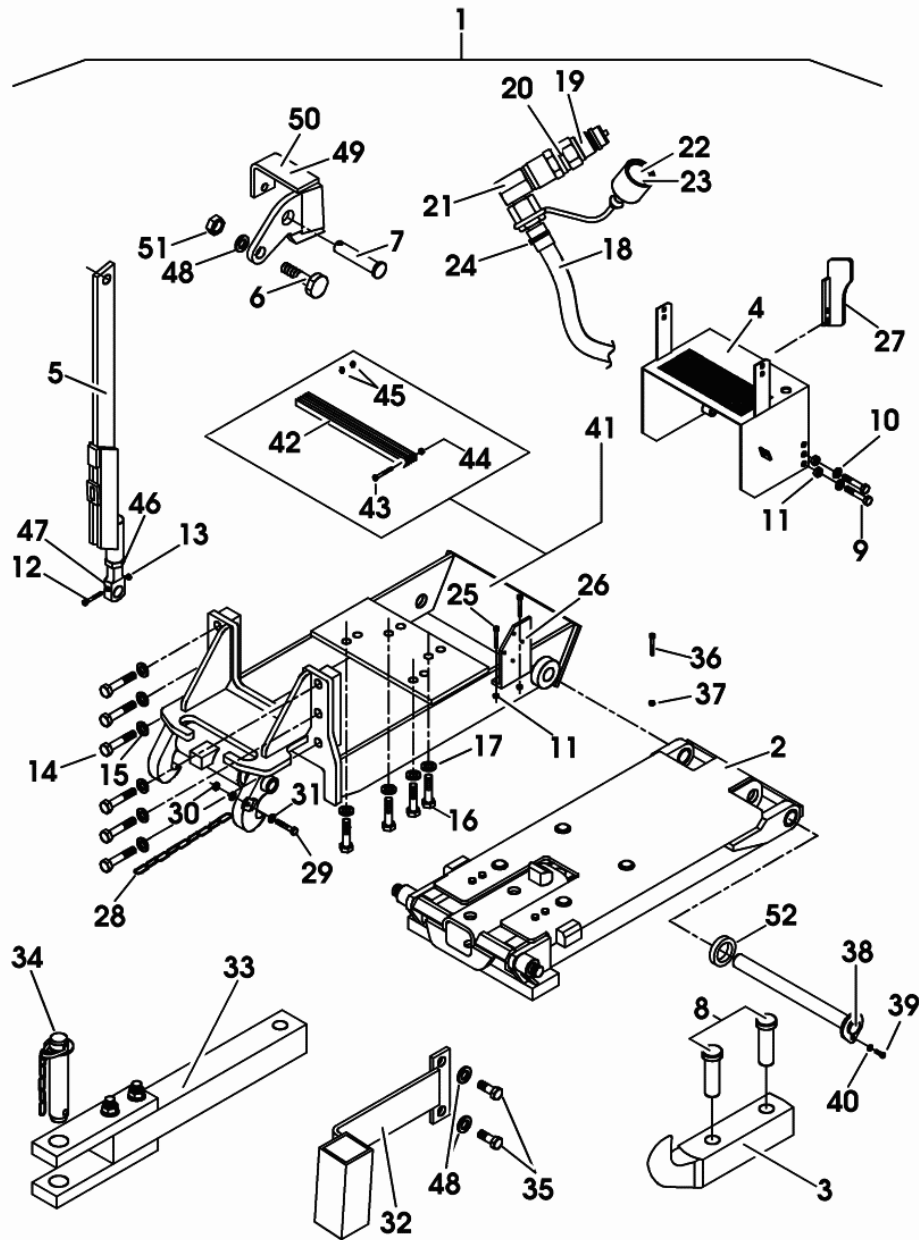
Fig.	Code	QTY	Name
44	0.010.3318.0	1	relay 20A NA WHITE
45	0.900.0049.4	1	relay 20A NA BLACK



010_9139_4_10

Section: COMPONENTS
PICK-UP-HITCH

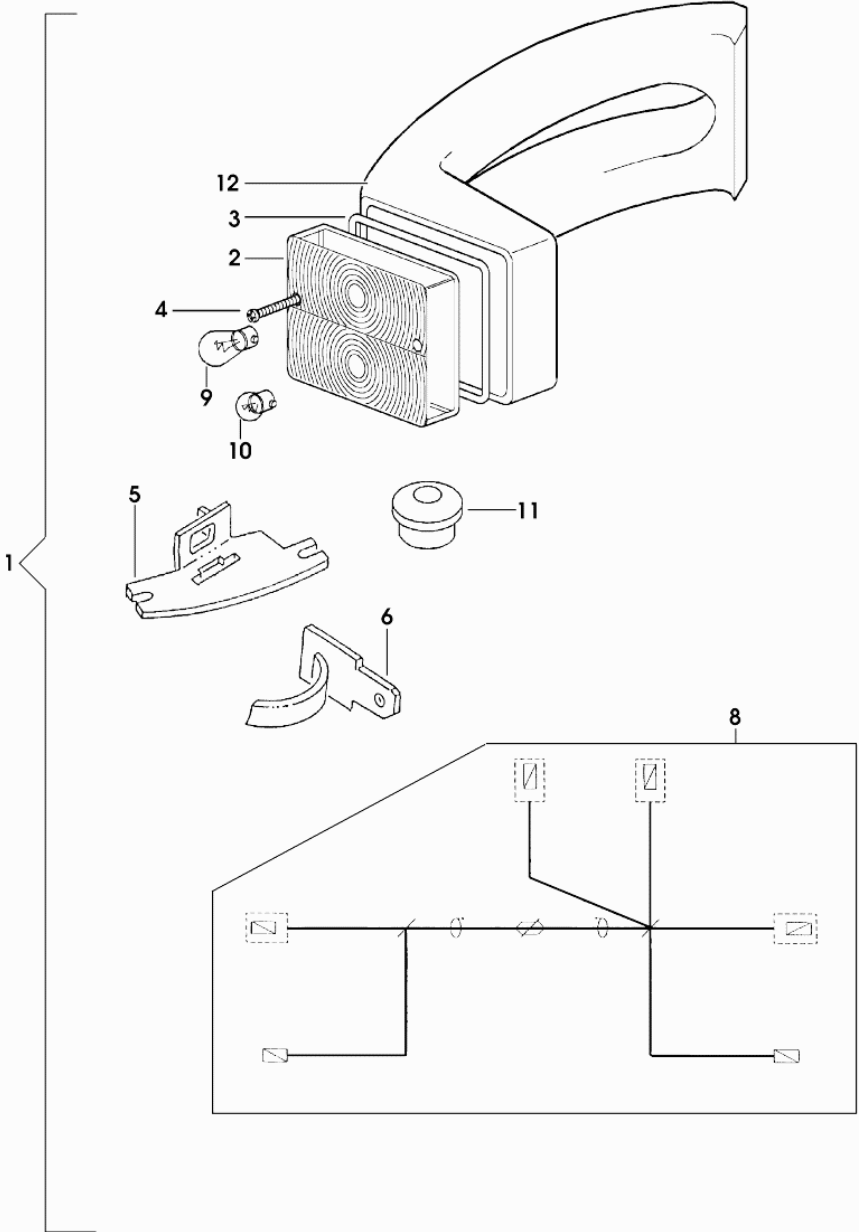
Fig.	Code	QTY	Name
44	0.010.3116.1	1	nut m 8
45	04418473	2	lubricator m 6 p.1
46	0.010.3117.0	2	nut
47	0.010.3117.1	2	pin
48	04418501	4	washer
49	0.900.0005.4	1	bracket sx/lh/li
50	0.900.0005.5	1	bracket dx/rh/re
51	0.900.0005.6	2	nut
52	0.010.3130.0	1	bushing



0_013_0535_4_10

Section: COMPONENTS
HEADLAMP COMPONENTS

Fig.	Code	QTY	Name
1	04411920.4	1	lamp sx/lh/li
2	04414091	1	side lamp
3	04414092	1	gasket
4	04414116	2	screw 4.2x50
5	04414093	1	socket
6	04414094	2	spring
8	04411923.4	1	wire
9	01121407	1	lamp 12v 5w r19/5
10	01102550	1	lamp r121w d72601
11	04419040	1	plug
12	04413222	1	support



0441_1920_4

Section: COMPONENTS
DRAWBAR COUPLING

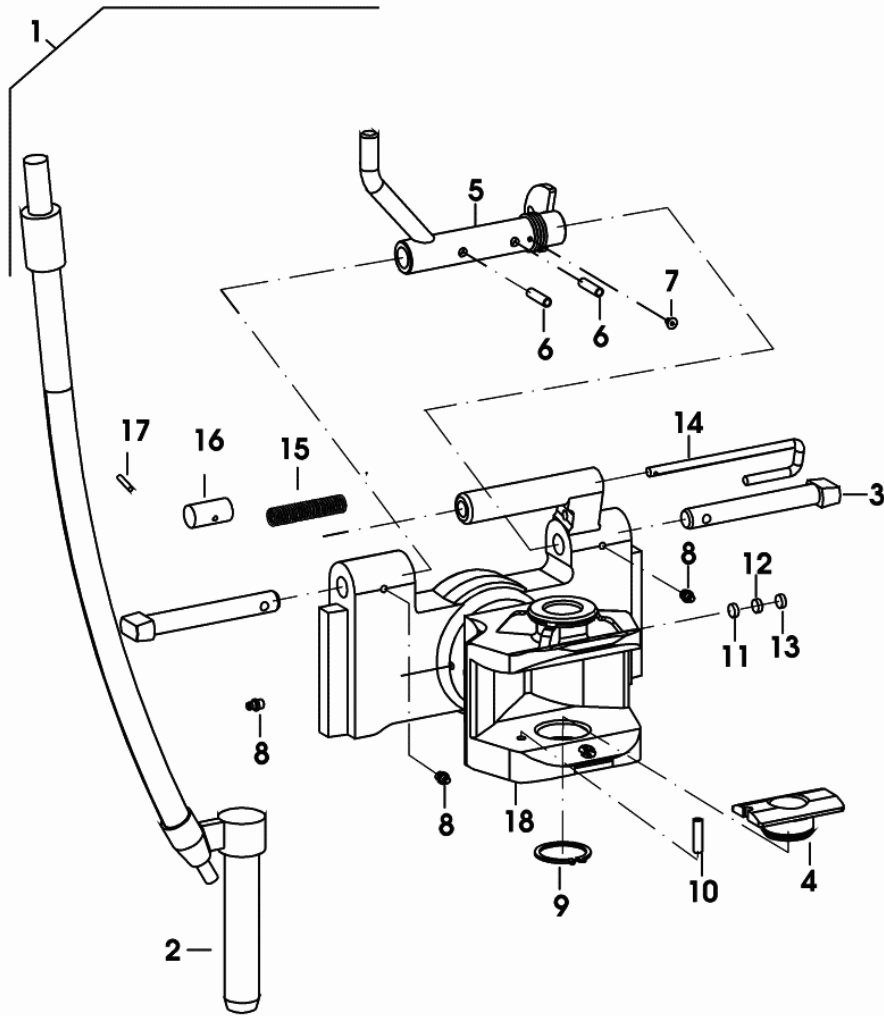


Fig.	Code	QTY	Name
1	04419880	1	tow hook
2	04417886	1	pin
3	0.010.3081.0	2	pin
4	0.010.3081.1	1	bushing
5	04417887	1	latch
6	01115469	2	pin 8 x 30
7	04417922	1	screw
8	01168225	3	lubricator m 8 x 1
9	03307758	1	ring
10	04417893	1	pin
11	04417890	1	shim
12	04417891	1	ferrule
13	01137465	1	pin
14	0.010.3081.0	1	pin
15	04418845	1	spring
16	04417894	1	knob
17	0.000.0000.1	1	not serviceable
18	0.000.0000.1	1	not serviceable

04419880

Section: COMPONENTS
REAR TOWING HITCH

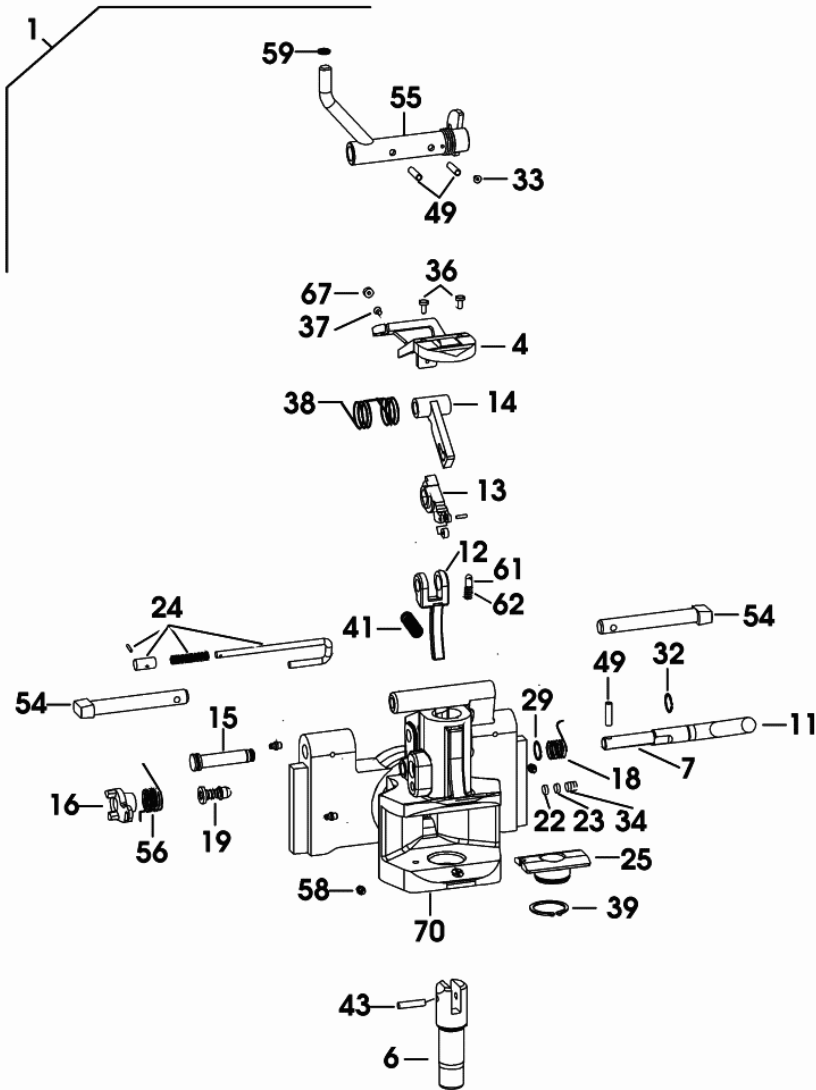
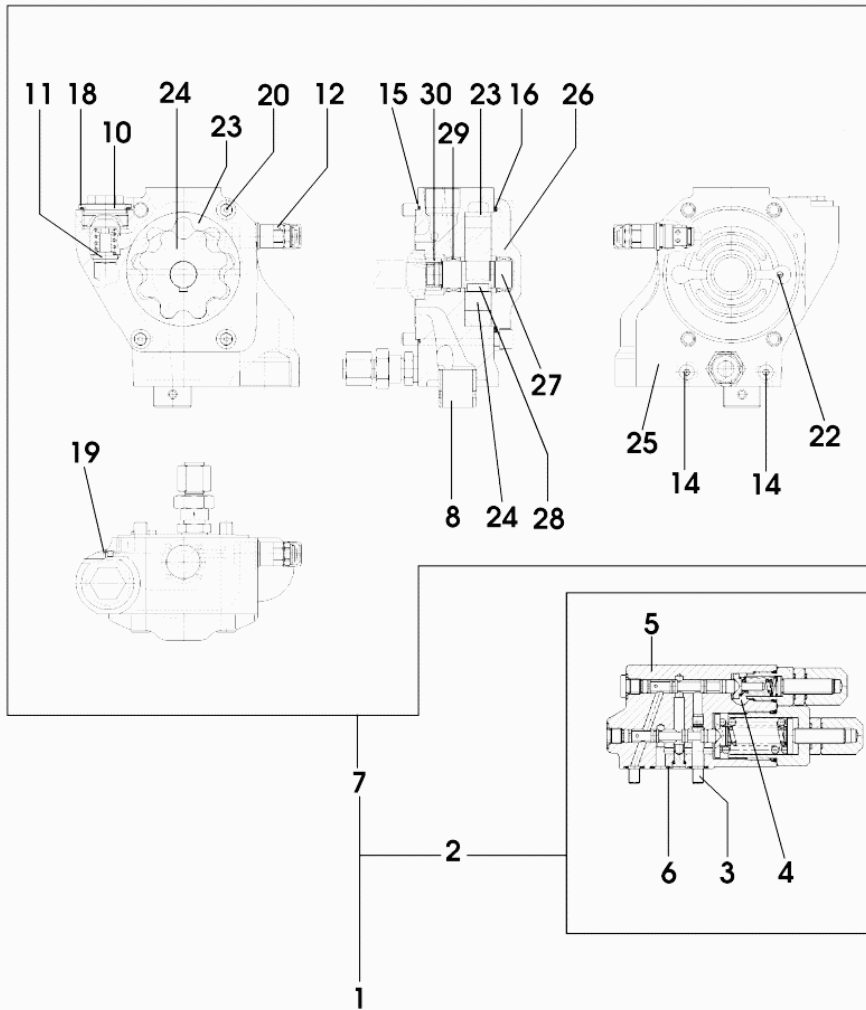


Fig.	Code	QTY	Name
1	04426656.4	1	tow hook
4	04426447	1	cover
6	04426449	1	pin mm 30.8
7	04417124	1	knob
11	04426453	1	lever
12	04417904	1	spacer
13	04426645	1	lever
14	04426649	1	lever
15	04417907	1	pin
16	04417908	1	lever
18	04417909	1	spring
19	04417910	1	pin
22	04417890	1	shim
23	04417891	1	ferrule
24	04417894.4	1	knob
25	04426650	1	plate mm 87
29	01107730	1	ring 20 x 1.2, d471
32	01107724	1	circlip
33	01137758	1	screw
34	01137465	1	pin
36	01112238	2	screw
37	04417922	1	screw
38	04417913	1	spring
39	01107758	1	circlip
41	04417921	1	spring
43	04418412	1	cylindrical plug
49	01115469	3	pin 8 x 30
54	0.010.3081.0	2	pin
55	04417887	1	latch
56	04417915	1	spring
58	01168225	4	lubricator m 8 x 1
59	04417325	1	shim
61	04417917	1	pin
62	04417920	1	spring
67	04426658	1	sleeve 15.95x19 m10
70	04426656	1	tow hook

0442_6656_4

Section: COMPONENTS
OIL PUMP

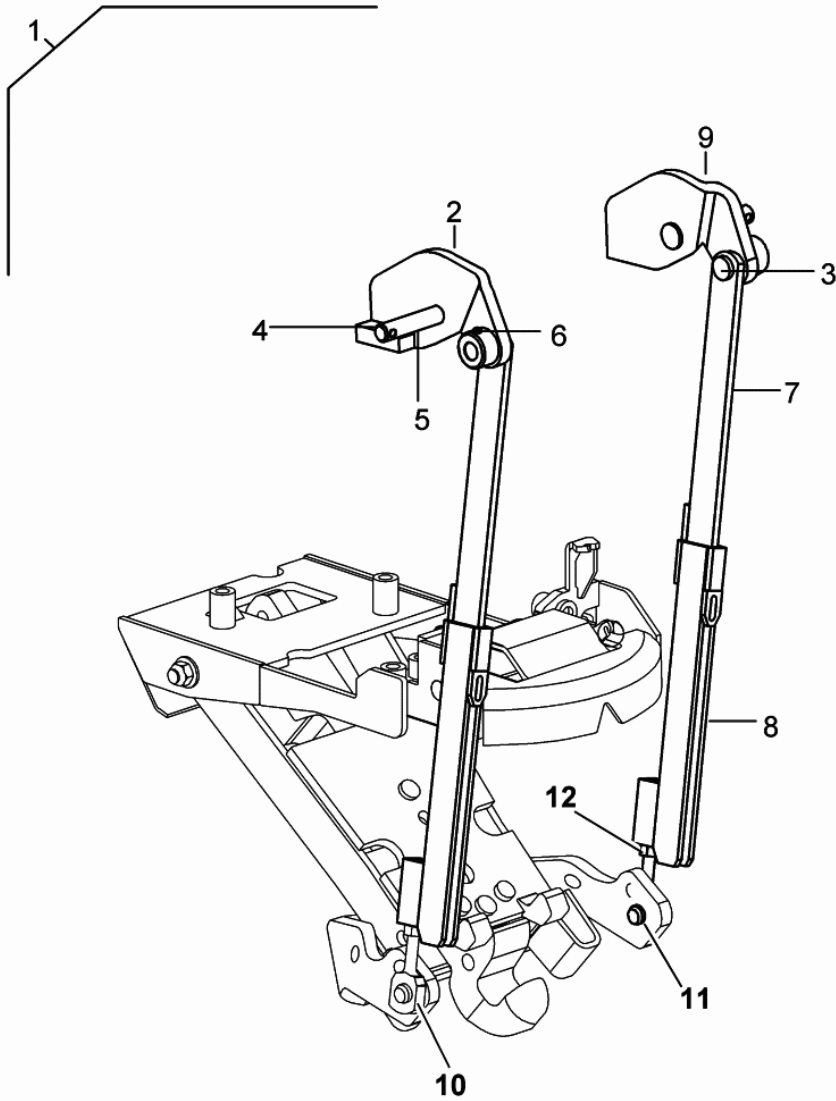
Fig.	Code	QTY	Name
1	04432500/10	1	hydraulic pump
2	0.010.2760.0	1	distributor
3	0.010.2760.2	4	screw m 6 x 30
4	0.010.2761.0	1	plug 7/16" - 20"
5	0.010.3854.1	1	valve
6	0.010.2760.1	3	'o' ring
7	0.010.3851.0	1	plate
8	0.010.3854.2	1	sleeve
10	0.010.3855.0	1	plug
11	0.010.3855.1	1	valve
12	0.010.3699.2	1	valve
14	0.010.3855.2	1	plug
15	0.010.2768.2	1	'o' ring 120x2.5
16	0.010.3856.0	1	'o' ring
18	0.010.3856.1	1	'o' ring
19	0.010.3856.2	1	plug
20	0.010.3857.0	4	socket
22	0.010.2770.2	1	grain m 6x18
23	0.010.3857.1	1	ring
24	0.010.3857.2	1	ring
25	0.010.3858.0	1	plate
26	0.010.3858.1	1	cover
27	0.010.3858.2	1	shaft
28	0.010.3859.0	1	key
29	0.010.3859.1	2	bushing
30	0.010.3859.2	1	hydraulic pto clutch



04432500_10_B

Section: COMPONENTS
PICK-UP-HITCH

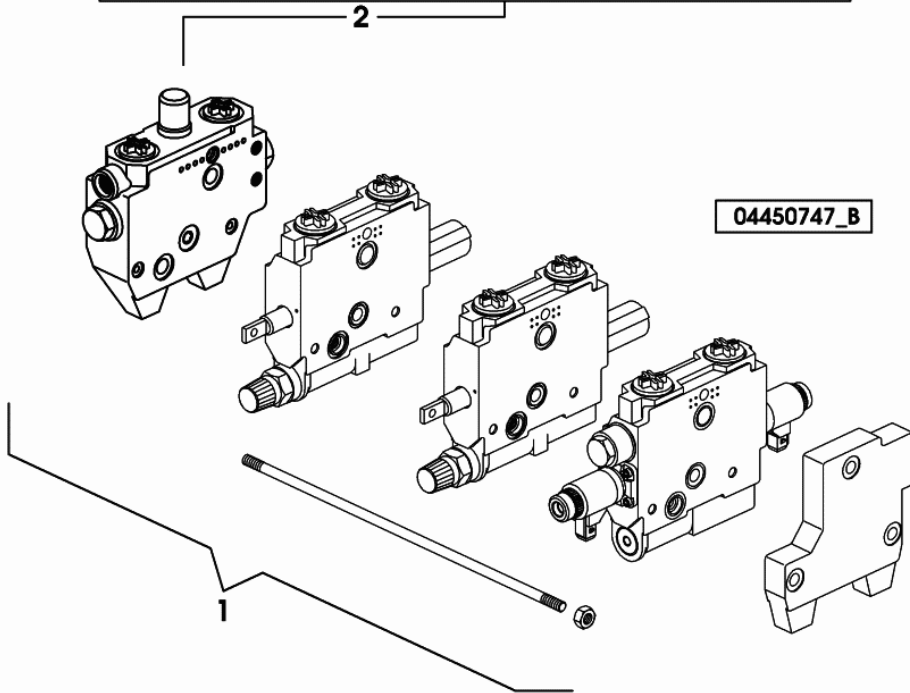
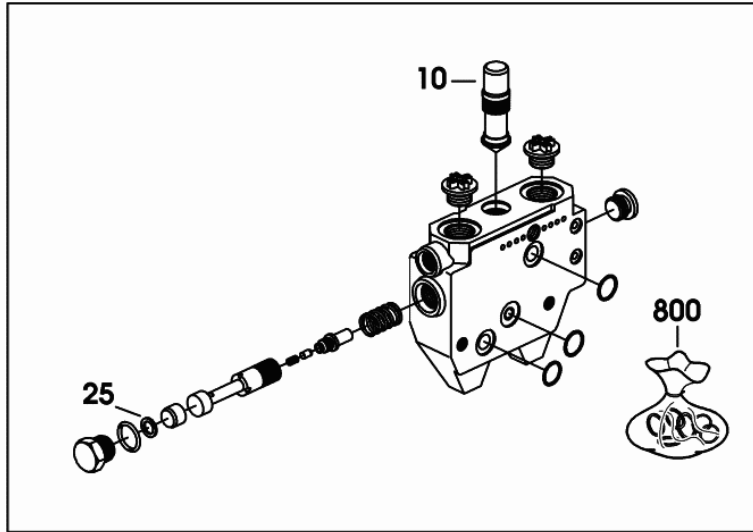
Fig.	Code	QTY	Name
1	04450253.4	1	rod
2	04450247	1	extension sx/lh/li
3	04450251	2	pin
4	04418572	2	pin
5	04450249	2	pin
6	04450252	2	pin
7	04450258	2	rod
8	04450259	2	rod
9	04450248	1	extension dx/rh/re
10	04450254	2	link
11	04450250	2	pin
12	01112886	2	nut m 16



0445_0253_4

Section: COMPONENTS
DISTRIBUTOR PARTS

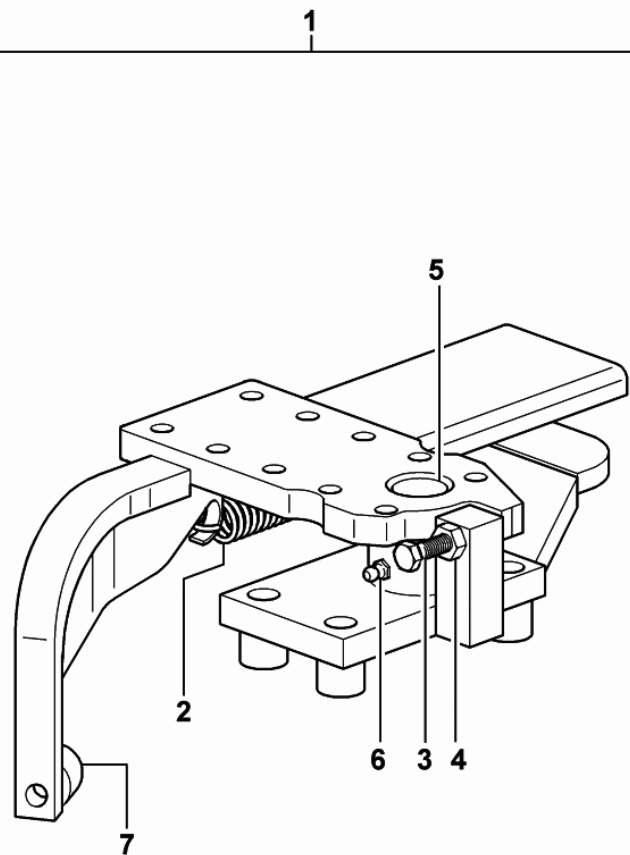
Fig.	Code	QTY	Name
1	04450747	1	hydraulic control bl
2	0.010.3670.1	1	plate
10	04418524	1	valve
25	01289574	0	shim 0,20 MM
25	01289579	0	shim 0,40 MM
25	01289577	0	shim mm 0.30
800	0.010.3548.2	1	gasket set



Section: COMPONENTS

WING HOLDER

Fig.	Code	QTY	Name
1	04451216.4	1	support sx/lh/li
2	0.900.0002.5	1	spring
3	01112572	1	screw m 12 x 60
4	01112858	1	nut m 12, d934
5	01107755	1	ring 40 x 1,75, d471
6	01100384	1	lubricator
7	0.900.0003.2	1	tube



04451216_4

ELECTRICAL SYSTEM

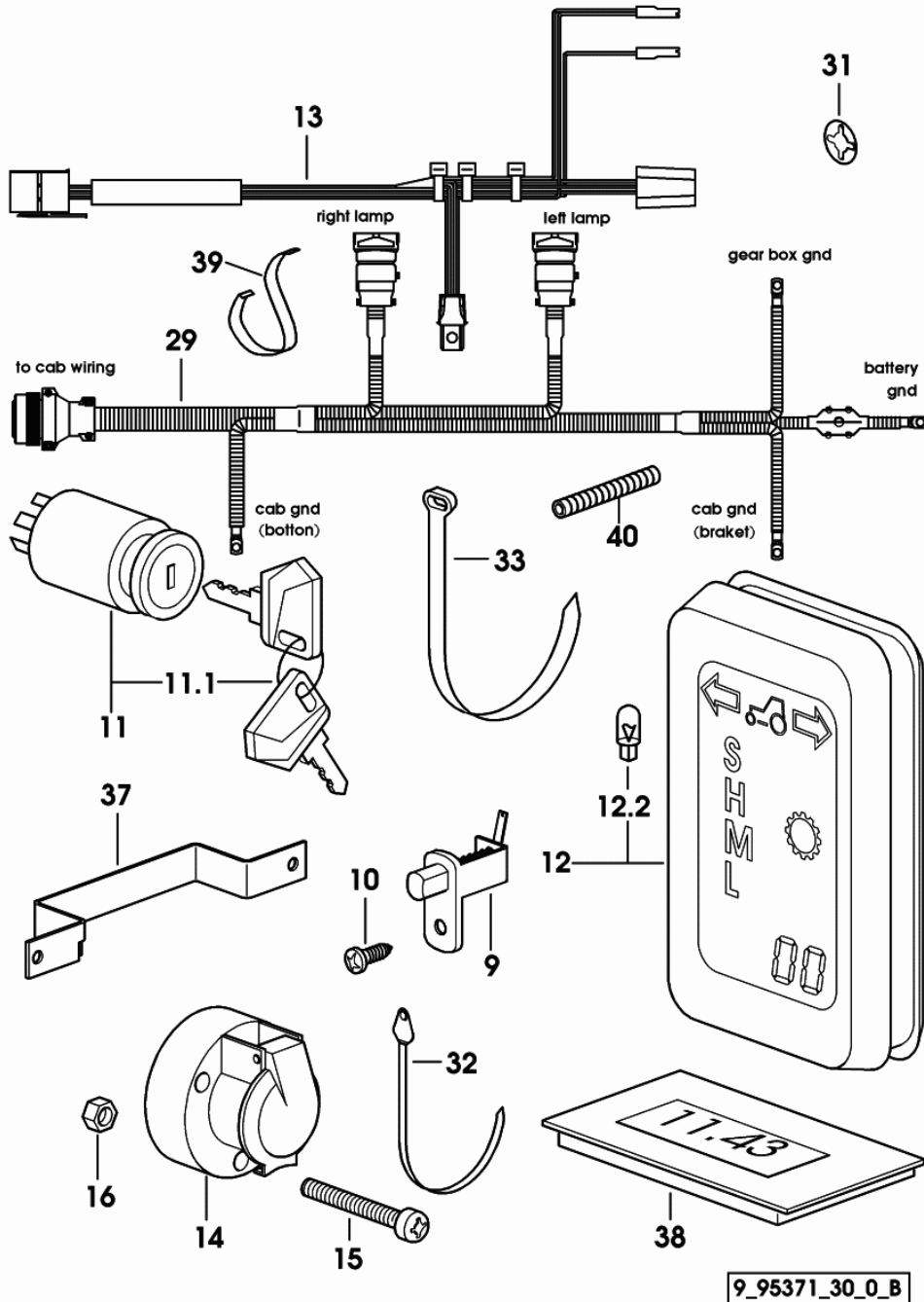
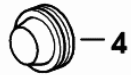
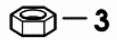
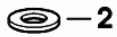
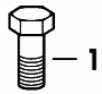


Fig.	Code	QTY	Name
9	04414097	1	switch
10	01132709	1	screw
			2282 <- X Agrotron 120 MK3
			2196 <- X Agrotron 135 MK3
			2107 <- X Agrotron 150 MK3
			2195 <- X Agrotron 165 MK3
10	04412976	1	screw 4.8x19
			-> 2283 X Agrotron 120 MK3
			-> 2197 X Agrotron 135 MK3
			-> 2108 X Agrotron 150 MK3
			-> 2196 X Agrotron 165 MK3
11	04411512.4	1	start device
11.1	04418435	1	key
12	04419280.4	1	monitor
12.2	04419282	2	lamp
13	04437875	1	electrical system
14	04424116	1	socket
15	04415869	3	screw m 5 x 35
16	01136451	3	nut 5
29	04437846/20	1	electrical system
			COMPONENT PARTS SEE
			COMPONENTS LIST
			☞ 04437846/20
			☞ OG.00.27
31	04414078	1	nut
32	04413875	1	clamp
33	01080571	18	band 172X4.6
37	04429773	1	bracket
38	04412337	1	digital chronometers
39	01173352	2	clamp
40	04423679	1	tube

9_95371_30_0_B

WITHOUT REAR WORKLIGHTS

Fig.	Code	QTY	Name
1	01112418	2	screw m 10 x 25, d933
2	01140501	2	washer 10.5
3	01136453	2	nut m 10
4	04424188	2	rubber ring 16



9_95371_39_0_0

ELECTRICAL SYSTEM - STEERING COLUMN SWITCH UNIT

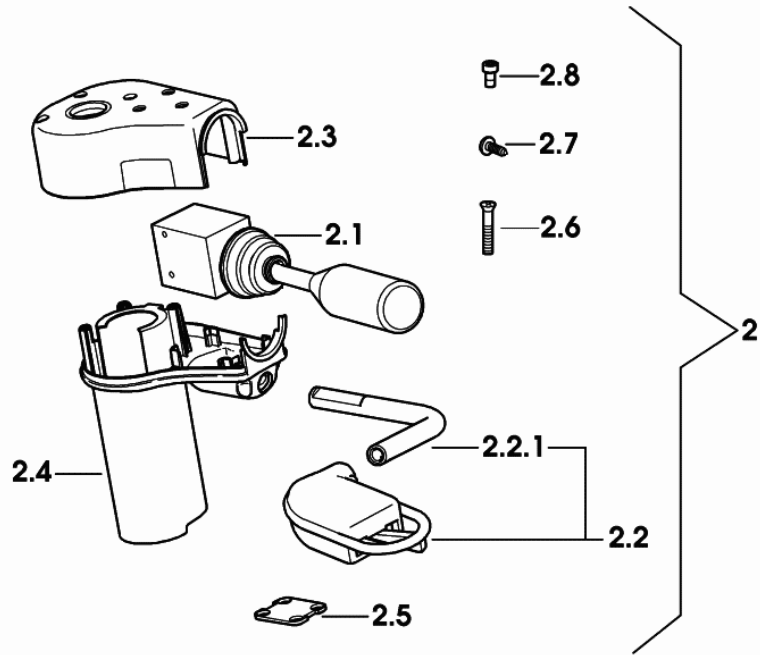
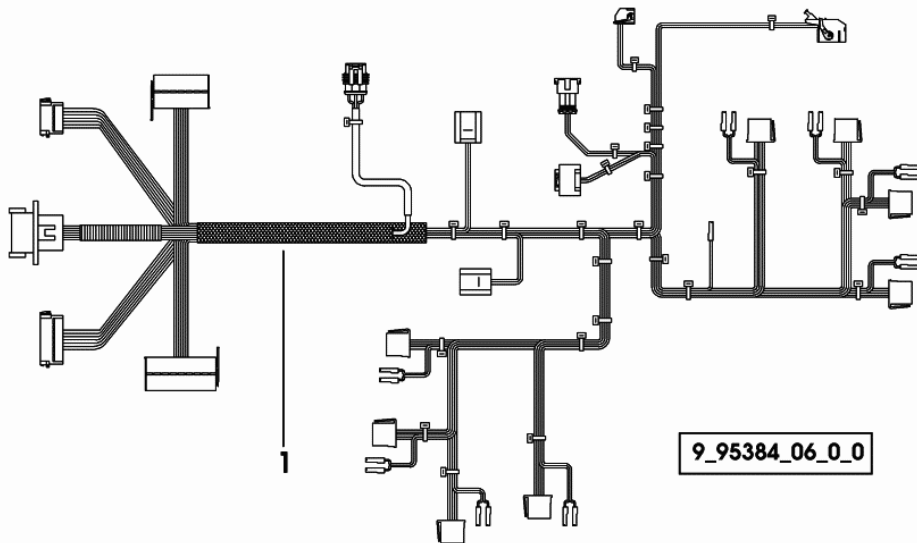
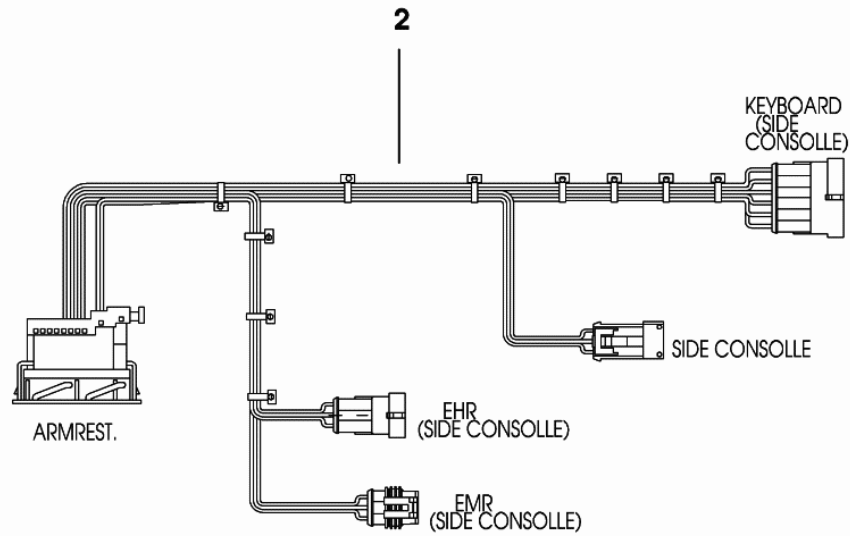
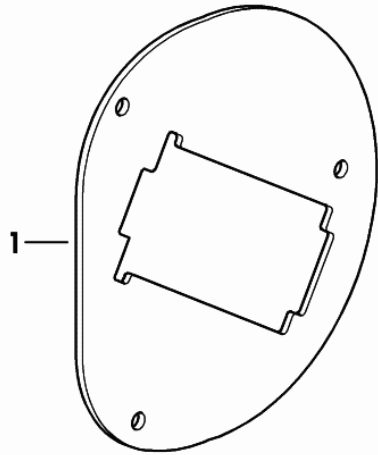


Fig.	Code	QTY	Name
1	04429936.4/30	1	cable harness 2137 <- X Agrotron 120 MK3 2080 <- X Agrotron 135 MK3 2056 <- X Agrotron 150 MK3 2104 <- X Agrotron 165 MK3
1	04429936.4/40	1	cable harness -> 2138 X Agrotron 120 MK3 -> 2081 X Agrotron 135 MK3 -> 2057 X Agrotron 150 MK3 -> 2105 X Agrotron 165 MK3
2	04436521.4	1	operation
2.1	04438653	1	switch
2.2	04419670.4	1	switch
2.2.1	04419076	1	tube
2.3	04436512	1	chassis frame
2.4	04436513	1	piping
2.5	04418681	1	small plate
2.6	04418680	4	screw
2.7	01137072	5	screw
2.8	04412779	3	screw m 5x6.5



CABLE SET - MULTIFUNCTION ARMREST

Fig.	Code	QTY	Name
1	04429575	1	plate
2	04437354.4	1	electrical system



9_95371_31_0_0

Section: ELECTRIC AL SYSTEM
ELECTRONICS BOX EXPORT U.S.A.

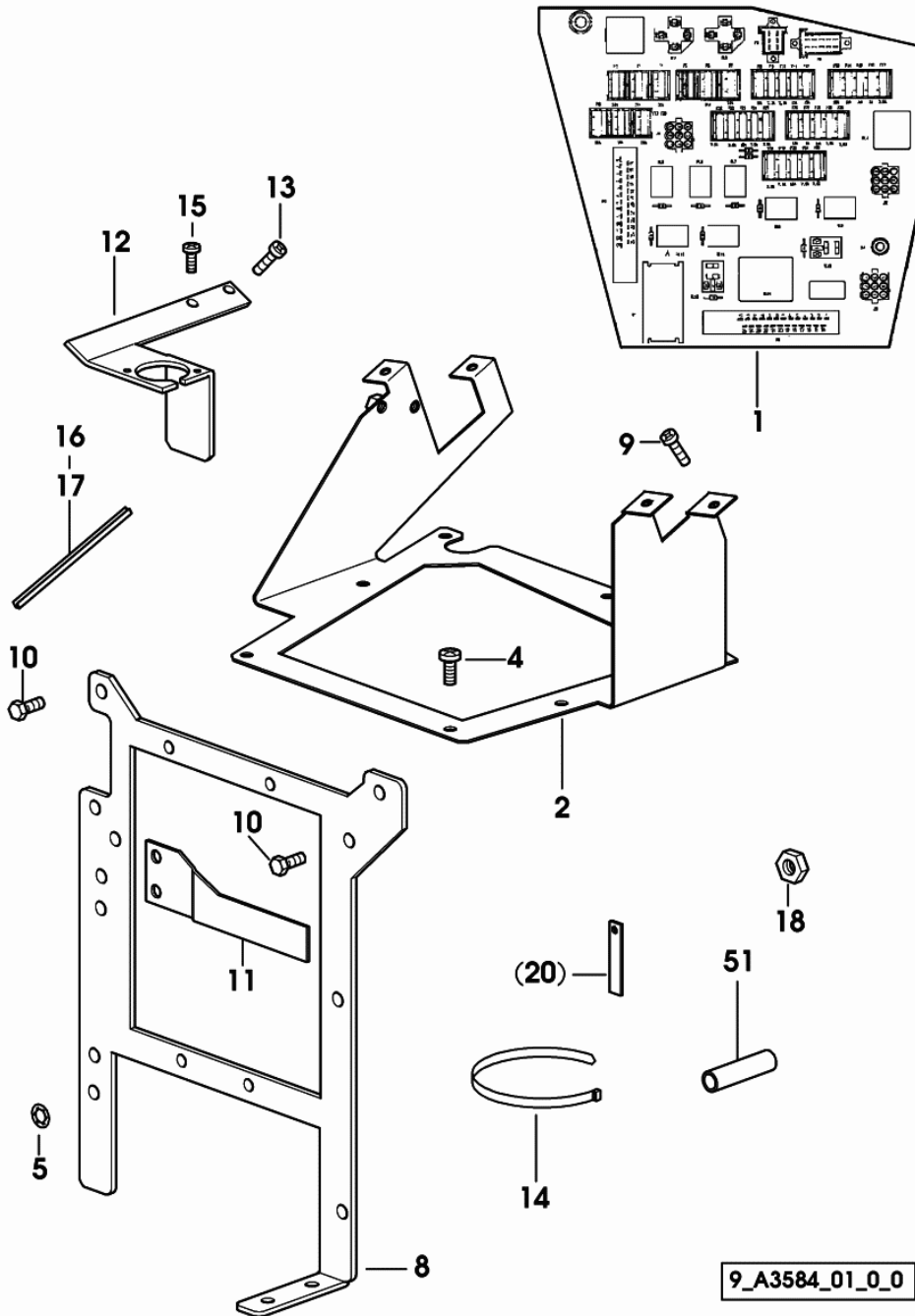
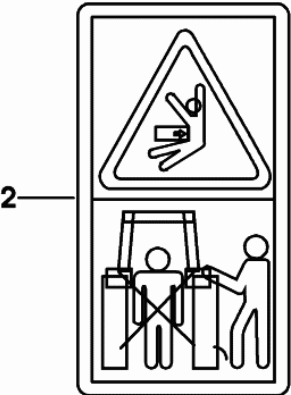
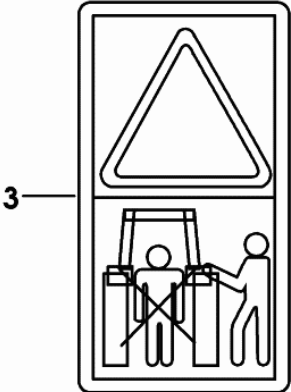
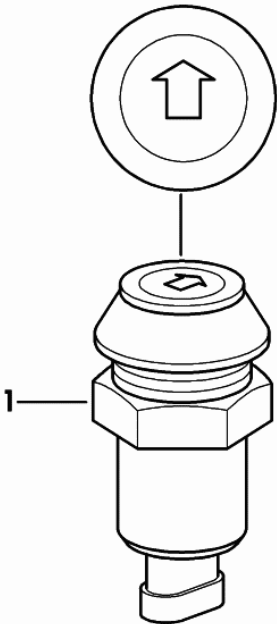


Fig.	Code	QTY	Name
1	9.94684.60.0	1	fuse-holder (...) <- X Agrotron 120 MK3 (...) <- X Agrotron 135 MK3 (...) <- X Agrotron 150 MK3 (...) <- X Ag ☞ 0.013.4600.4 ☞ OG.00.32
1	04419533.4/10	1	electronic unit -> (...) X Agrotron 120 MK3 -> (...) X Agrotron 135 MK3 -> (...) X Agrotron 150 MK3 -> (...) X Ag ☞ 04419533.4/10 ☞ OG.00.33
2	04429360.4	1	support
4	01100595	9	screw m 5x8
5	04414078	20	nut
8	0.012.5742.3/20	1	support
9	04412976	10	screw 4.8x19
10	04429754	2	screw m 6 p.1.0 x 16
11	0.012.9137.2/10	1	support
12	04429607/10	1	support
13	01124514	2	screw m 5 x 12
14	01080571	5	band 172X4.6
15	01105492	2	screw m 3x10
16	01393059	0	gasket
17	01393059	0	gasket
18	01102659	1	nut m 10, d934
20	04429986	1	support
			2418 <- X Agrotron 120 MK3 2321 <- X Agrotron 135 MK3 2206 <- X Agrotron 150 MK3 2314 <- X Agrotron 165 MK3
51	04429991	9	tube 60x19x2.5

S.A.C. GROUND CONTROL

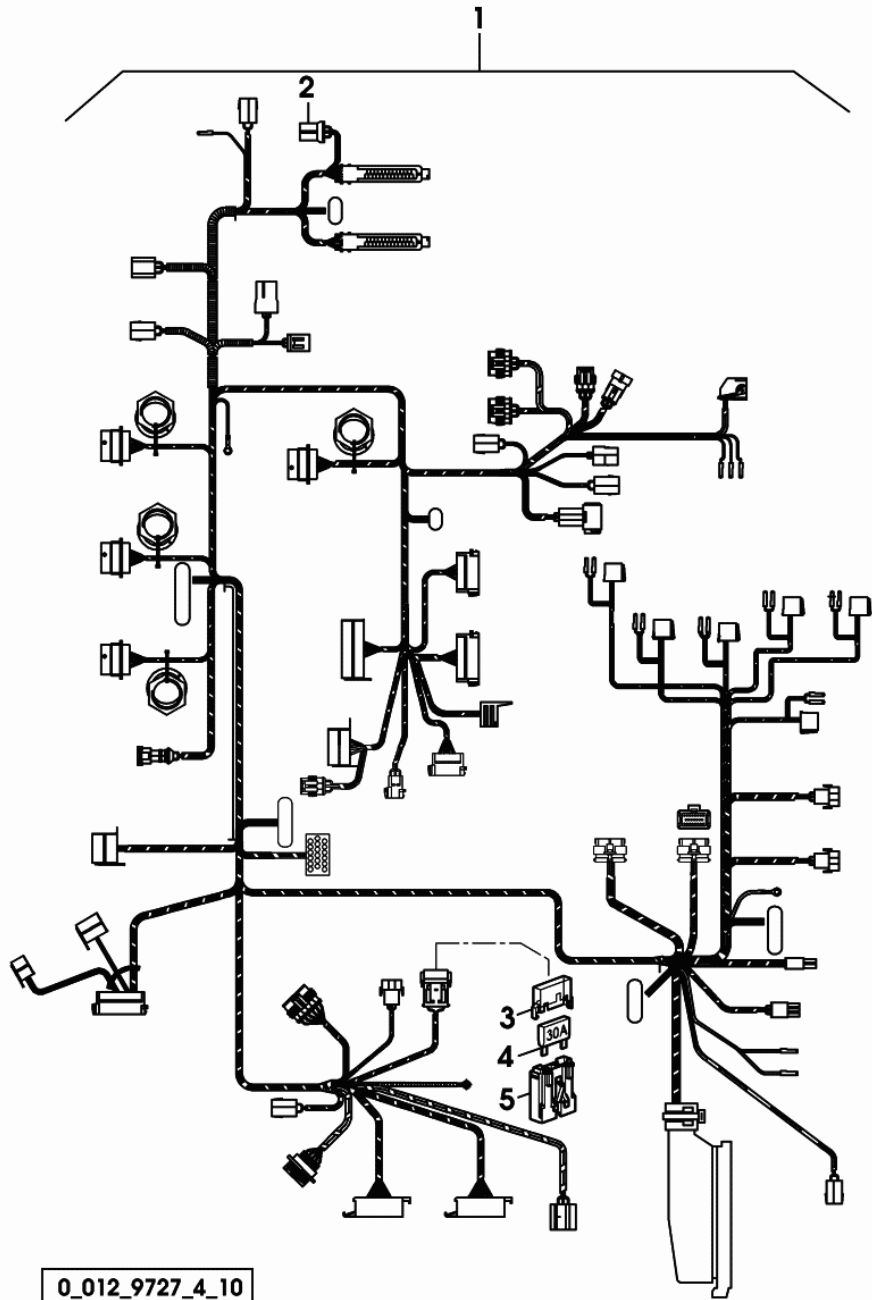
Fig.	Code	QTY	Name
1	04412688	4	switch
2	04416340	1	plate
3	04416339	1	plate



9_94659_70_0_0

ELECTRICAL SYSTEM

Fig.	Code	QTY	Name
1	0.012.9727.4/10	1	electrical system
2	0.010.3627.1	1	electronic unit
3	0.009.4450.2	1	cover
4	0.009.4451.1	1	fuse 30 A maxival
5	0.009.4450.1	1	fuse-holder



0_012_9727_4_10

ELECTRIC REV-HOUR RECORDER TACHOMETER

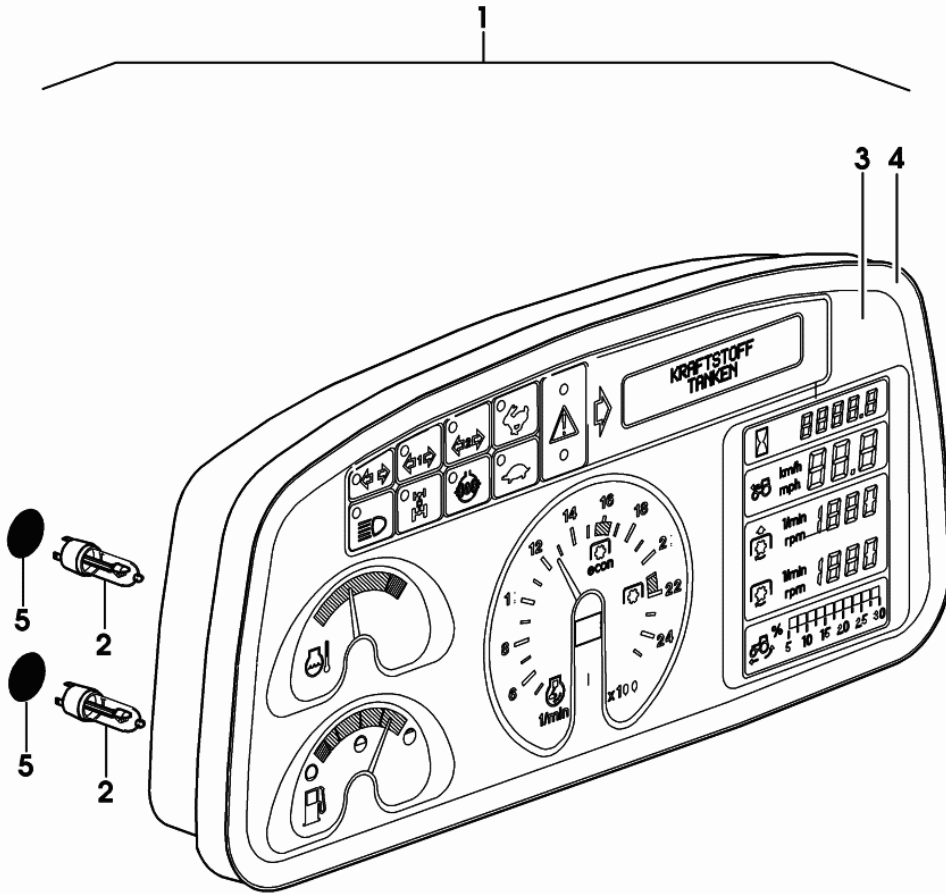
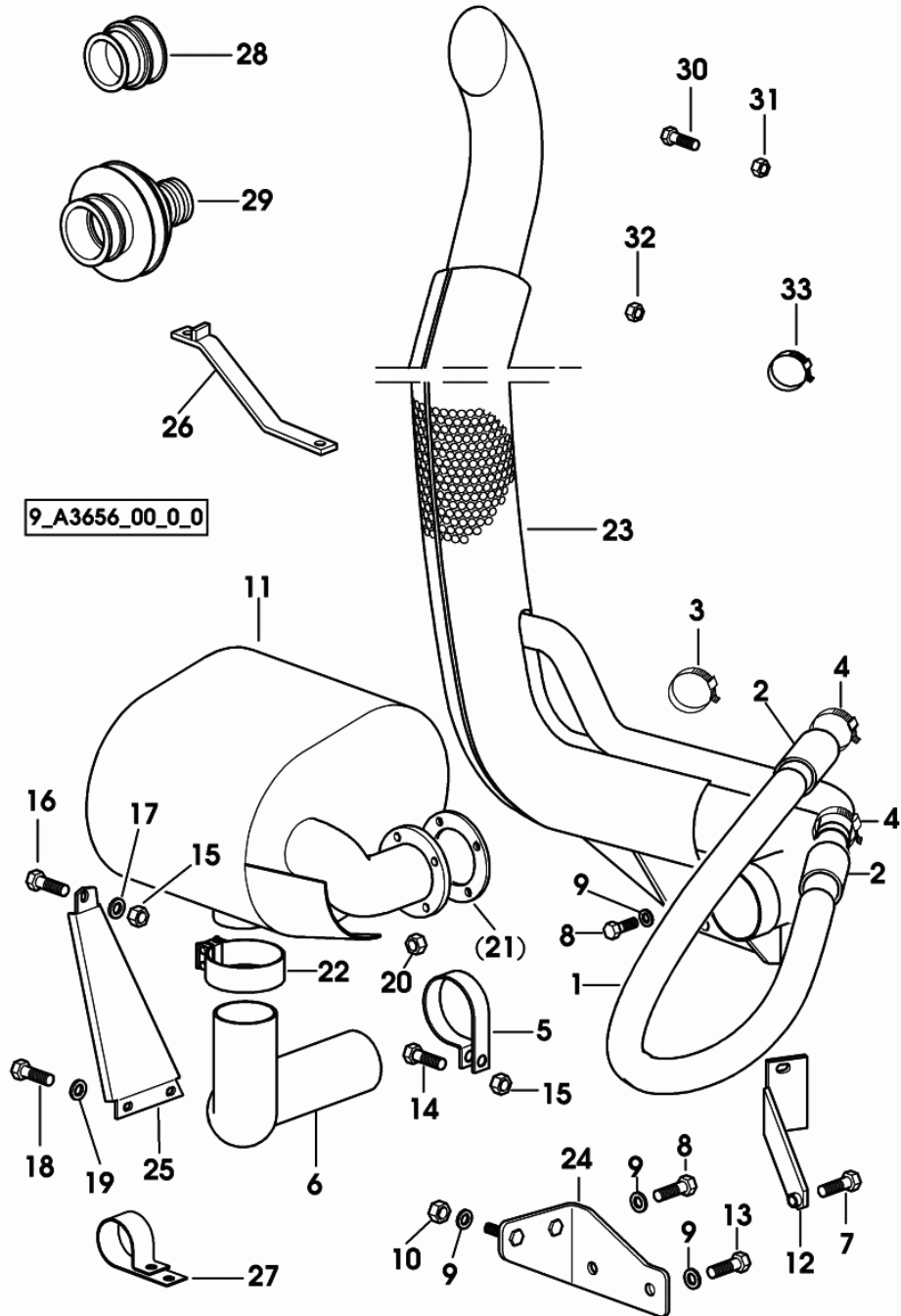


Fig.	Code	QTY	Name
1	04437488/10	1	light panel
2	0.900.0392.0	2	lamp
3	0.900.0392.1	1	glass
4	0.900.0392.2	1	frame
5	0.900.0392.3	3	plug

04437488_10

Section: ENGINE
EXHAUST SILENCER

Fig.	Code	QTY	Name
1	04450854	1	tube
2	04436014	1	sleeve
3	01173952	1	band
4	01173969	4	clamp 32-50
5	04422728	1	hose clip
6	04436010	1	manifold
7	01111308	1	screw m 10 x 50
8	01112538	4	screw m 12 x 35, d933
9	01174738	7	flat washer 12.5x26x6
10	01112858	2	nut m 12, d934
11	04436007	1	silencer
12	04437930	1	bracket
13	01112554	1	screw m 12 x 45
14	01112429	2	screw m 10 x 30, d933
15	01102659	3	nut m 10, d934
16	01112407	2	screw m 10 x 20, d933
17	01140501	1	washer 10.5
18	01112307	2	screw m 8 p.1.25 x 15, d933
19	01151019	2	washer 8.4
20	01144673	4	nut
22	04427255	1	clamp
23	04436011.4/10	1	exhaust
24	04437932	1	bracket
25	04427269	1	console
26	04450633	1	support
27	04450634	1	clamp
28	04450656	1	power control
29	04450649	1	power control
30	01112307	2	screw m 8 p.1.25 x 15, d933
31	01112824	1	nut m 8, d934
32	2.1110.005.2	1	wing nut m 8
33	01137578	1	hose clip 32-50



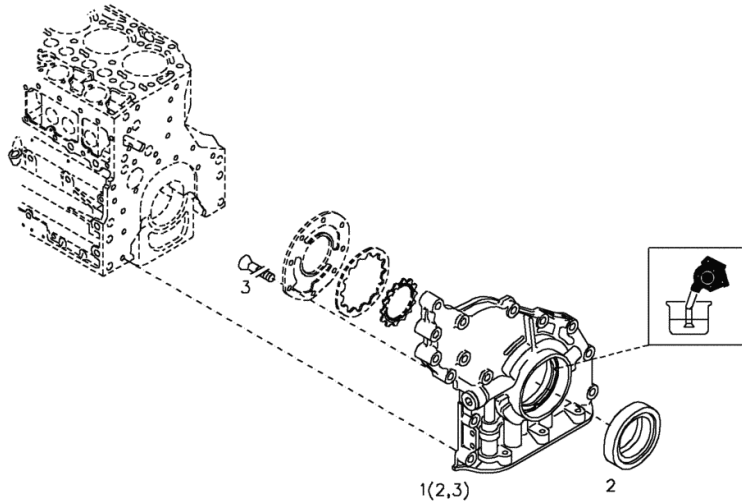
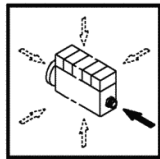
Section: ENGINE
FRONT COVER

Fig.	Code	QTY	Name
------	------	-----	------

Engine Serial Numbers:

733877 736580 736581 736582 736583 736584 736585 736586 736587 740434 740435 740436 740437 740438
 740439 740440 740441 740442 740443 740444 740445 740446 740447 740448 743604 743605 743606 743607
 743608 743609 743610 743611 743612 743613 745129 745130 745131 745132 745133 745134 745135 745136
 745137 745138 745139 745140 745141 745142 745143 745144 745145 745146 745147 745148 752355 752356
 752357 752358 752359 752360 752361 752362 752363 752364 752365 752366 752367 752368 752369 752370
 754110 754111 754112 754113 754114 754115 754116 754117 754118 754232 754233 754234 757091 757092
 757093 757094 757095 757096 757097 757098 757099 757100 758361 758362 758363 758364 758365 758366
 758367 758368 758369 758370 758371 758372 762834 762835 762836 762837 762838 762839 762840 762841
 762842 762843 764104 765901 765902 765903 765904 765905 765906 765907 765908 765909 765910 765911
 765912 765913 765914 765915 770103 770104 770105 770106 770107 770638 770639 770640 770641 770642
 770643 770644 770645 770646 770647 771990 771991 771992 771993 771994 771995 771996 771997 771998
 771999 773541 773542 778211 780462 780463 780464 780465 780466 780467 780468 780469 780470 780471
 781837 781838 781839 781840 781841 781842 781843 781844 781875 781876 781877 781878 781879 781880
 781881 781882 785174 785175 785176 785177 785178 785179 785180 785181 785182 785183 785184 785185
 785186 785659 785660 785661 785662 790124 790125 790126 790127 790128 790129 795828 795829 795830
 795831 795832 795833 795834 795835 795836 795837 796365 796366 796367 796368 796369 796370 796371
 796372 796373 796374 796391 796392 796393 796394 796395 796396 796397 796398 796399 796400 799282
 799283 799284 799285 799286 799287 799288 799289 799290 799291 800193 800194 800195 800196 800197
 800198 800199 800200 800201 800202 807825 807826 807827 807828 807829 807830 807831 807832 807833
 807834 807835 807836 807837 807838 807839 811503 811504 811505 811506 811507 811508 811509 811510
 811511 811512 811513 811514 811515 815723 815724 815725 815726 815727 815728 815729 815730 815731
 815732 815733 815734 815735 815736 815737 815738 827972 827973 827974 827975 827976 827977 827978
 827979 827980 827981 827982 827983 827984 827985 827986 827987 835578 835579 835580 835581 835582
 835583 835584 835585 835586 835587 837992 837993 837994 838323 838324 838325 838326 838327 838328
 838329 838330 838331 838332 838333 838334 838335 838336 838337 841981 841982 841983

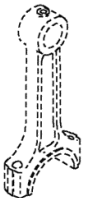
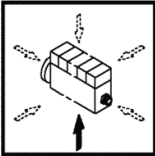
000 ©



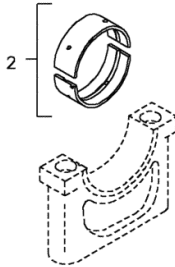
1	04259226	1	cover WITH ITEM (2,3)
2	04253373	1	oil seal
3	01133718	8	screw

Section: ENGINE
CRANKSHAFT

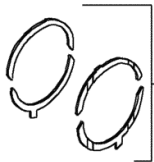
Fig.	Code	QTY	Name
971	02931299	6	bearing 2ND UNDERSIZE 67.50 MM



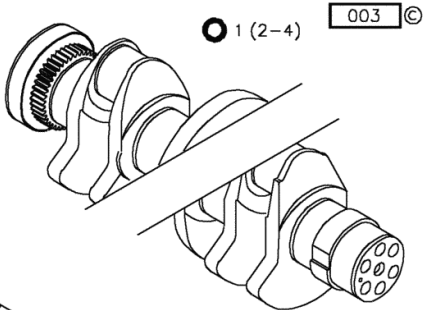
4 (BFM1013CP/ECP/FC)
10 (BFM1013/C/E/EC)



2



3



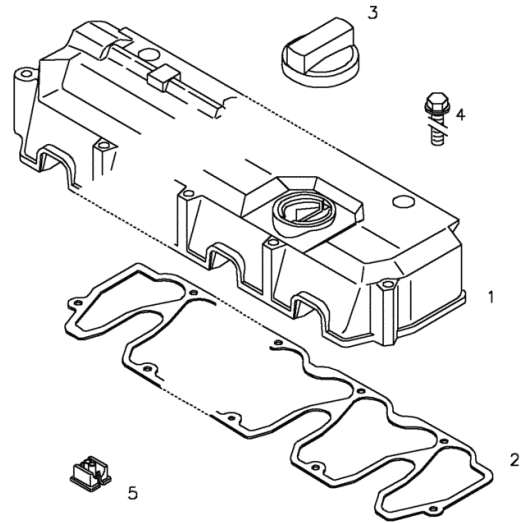
1 (2-4) 003 3

Section: ENGINE
ROCKER ARMS COVER

Fig.	Code	QTY	Name
------	------	-----	------

Engine Serial Numbers:

733877 736580 736581 736582 736583 736584 736585 736586 736587 740434 740435 740436 740437 740438
 740439 740440 740441 740442 740443 740444 740445 740446 740447 740448 743604 743605 743606 743607
 743608 743609 743610 743611 743612 743613 745129 745130 745131 745132 745133 745134 745135 745136
 745137 745138 745139 745140 745141 745142 745143 745144 745145 745146 745147 745148 752355 752356
 752357 752358 752359 752360 752361 752362 752363 752364 752365 752366 752367 752368 752369 752370
 754110 754111 754112 754113 754114 754115 754116 754117 754118 754232 754233 754234 757091 757092
 757093 757094 757095 757096 757097 757098 757099 757100 758361 758362 758363 758364 758365 758366
 758367 758368 758369 758370 758371 758372 762834 762835 762836 762837 762838 762839 762840 762841
 762842 762843 764104 765901 765902 765903 765904 765905 765906 765907 765908 765909 765910 765911
 765912 765913 765914 765915 770103 770104 770105 770106 770107 770638 770639 770640 770641 770642
 770643 770644 770645 770646 770647 771990 771991 771992 771993 771994 771995 771996 771997 771998
 771999 773541 773542 778211 780462 780463 780464 780465 780466 780467 780468 780469 780470 780471
 781837 781838 781839 781840 781841 781842 781843 781844 781875 781876 781877 781878 781879 781880
 781881 781882 785174 785175 785176 785177 785178 785179 785180 785181 785182 785183 785184 785185
 785186 785659 785660 785661 785662 790124 790125 790126 790127 790128 790129 795828 795829 795830
 795831 795832 795833 795834 795835 795836 795837 796365 796366 796367 796368 796369 796370 796371
 796372 796373 796374 796391 796392 796393 796394 796395 796396 796397 796398 796399 796400 799282
 799283 799284 799285 799286 799287 799288 799289 799290 799291 800193 800194 800195 800196 800197
 800198 800199 800200 800201 800202 807825 807826 807827 807828 807829 807830 807831 807832 807833
 807834 807835 807836 807837 807838 807839 811503 811504 811505 811506 811507 811508 811509 811510
 811511 811512 811513 811514 811515 815723 815724 815725 815726 815727 815728 815729 815730 815731
 815732 815733 815734 815735 815736 815737 815738 827972 827973 827974 827975 827976 827977 827978
 827979 827980 827981 827982 827983 827984 827985 827986 827987 835578 835579 835580 835581 835582
 835583 835584 835585 835586 835587 837992 837993 837994 838323 838324 838325 838326 838327 838328
 838329 838330 838331 838332 838333 838334 838335 838336 838337 841981 841982 841983



1	04206924	1	cover
2	04205894	1	gasket
3	01179630	1	plug
4	01179293	13	screw
5	04206948	1	tube

Section: ENGINE
CLOSING COMPONENTS

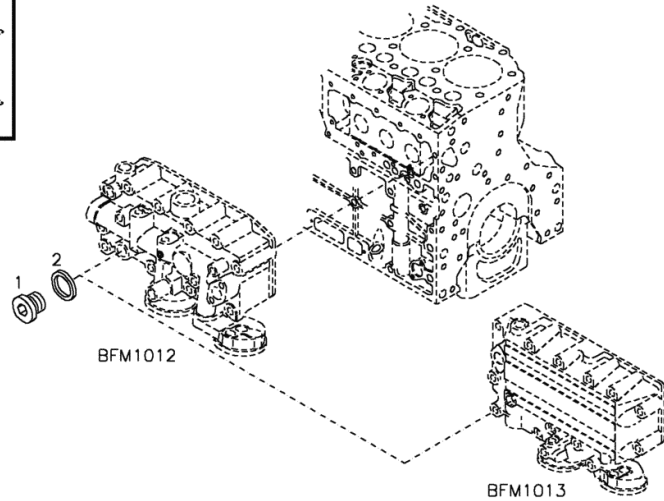
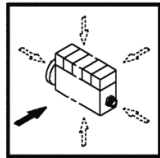
Fig.	Code	QTY	Name
------	------	-----	------

Engine Serial Numbers:

733877 736580 736581 736582 736583 736584 736585 736586 736587 740434 740435 740436 740437 740438
 740439 740440 740441 740442 740443 740444 740445 740446 740447 740448 743604 743605 743606 743607
 743608 743609 743610 743611 743612 743613 745129 745130 745131 745132 745133 745134 745135 745136
 745137 745138 745139 745140 745141 745142 745143 745144 745145 745146 745147 745148 752355 752356
 752357 752358 752359 752360 752361 752362 752363 752364 752365 752366 752367 752368 752369 752370
 754110 754111 754112 754113 754114 754115 754116 754117 754118 754232 754233 754234 757091 757092
 757093 757094 757095 757096 757097 757098 757099 757100 758361 758362 758363 758364 758365 758366
 758367 758368 758369 758370 758371 758372 762834 762835 762836 762837 762838 762839 762840 762841
 762842 762843 764104 765901 765902 765903 765904 765905 765906 765907 765908 765909 765910 765911
 765912 765913 765914 765915 770103 770104 770105 770106 770107 770638 770639 770640 770641 770642
 770643 770644 770645 770646 770647 771990 771991 771992 771993 771994 771995 771996 771997 771998
 771999 773541 773542 778211 780462 780463 780464 780465 780466 780467 780468 780469 780470 780471
 781837 781838 781839 781840 781841 781842 781843 781844 781875 781876 781877 781878 781879 781880
 781881 781882 785174 785175 785176 785177 785178 785179 785180 785181 785182 785183 785184 785185
 785186 785659 785660 785661 785662 790124 790125 790126 790127 790128 790129 795828 795829 795830
 795831 795832 795833 795834 795835 795836 795837 796365 796366 796367 796368 796369 796370 796371
 796372 796373 796374 796391 796392 796393 796394 796395 796396 796397 796398 796399 796400 799282
 799283 799284 799285 799286 799287 799288 799289 799290 799291 800193 800194 800195 800196 800197
 800198 800199 800200 800201 800202 807825 807826 807827 807828 807829 807830 807831 807832 807833
 807834 807835 807836 807837 807838 807839 811503 811504 811505 811506 811507 811508 811509 811510
 811511 811512 811513 811514 811515 815723 815724 815725 815726 815727 815728 815729 815730 815731
 815732 815733 815734 815735 815736 815737 815738 827972 827973 827974 827975 827976 827977 827978
 827979 827980 827981 827982 827983 827984 827985 827986 827987 835578 835579 835580 835581 835582
 835583 835584 835585 835586 835587 837992 837993 837994 838323 838324 838325 838326 838327 838328
 838329 838330 838331 838332 838333 838334 838335 838336 838337 841981 841982 841983

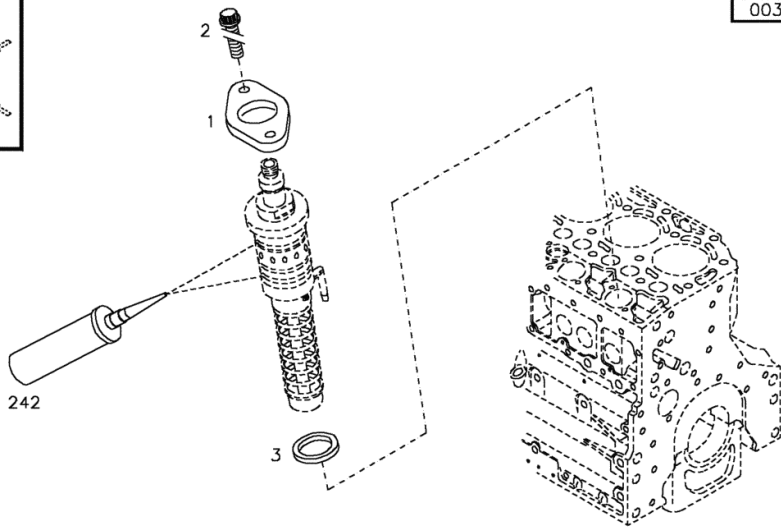
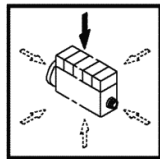
002 ©

1	01182177	1	screw
2	01118713	1	washer 18.5



Section: ENGINE
FASTENINGS

Fig.	Code	QTY	Name
968	04204159	0	shim mm 2.90 MM THICK 2.90 MM
969	04204160	0	shim mm 3.00 MM THICK 3.00 MM
970	04204161	0	shim mm 3.10 MM THICK 3.10 MM
971	04204162	0	shim mm 3.20 MM THICK 3.20 MM
972	04204163	0	shim mm 3.30 MM THICK 3.30 MM
973	04204164	0	shim mm 3.40 MM THICK 3.40 MM
974	04204165	0	shim mm 3.50 MM THICK 3.50 MM
975	04204166	0	shim mm 3.60 MM THICK 3.60 MM
976	04204167	0	shim mm 3.70 MM THICK 3.70 MM

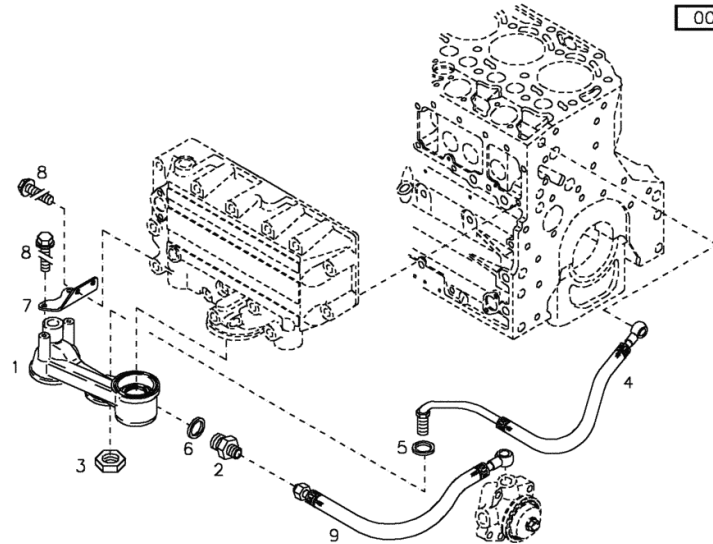
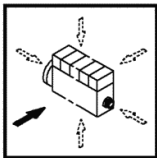


Section: ENGINE
FUEL LINE

Fig.	Code	QTY	Name
------	------	-----	------

Engine Serial Numbers:

733877 736580 736581 736582 736583 736584 736585 736586 736587 740434 740435 740436 740437 740438
 740439 740440 740441 740442 740443 740444 740445 740446 740447 740448 743604 743605 743606 743607
 743608 743609 743610 743611 743612 743613 745129 745130 745131 745132 745133 745134 745135 745136
 745137 745138 745139 745140 745141 745142 745143 745144 745145 745146 745147 745148 752355 752356
 752357 752358 752359 752360 752361 752362 752363 752364 752365 752366 752367 752368 752369 752370
 754110 754111 754112 754113 754114 754115 754116 754117 754118 754232 754233 754234 757091 757092
 757093 757094 757095 757096 757097 757098 757099 757100 758361 758362 758363 758364 758365 758366
 758367 758368 758369 758370 758371 758372 762834 762835 762836 762837 762838 762839 762840 762841
 762842 762843 764104 765901 765902 765903 765904 765905 765906 765907 765908 765909 765910 765911
 765912 765913 765914 765915 770103 770104 770105 770106 770107 770638 770639 770640 770641 770642
 770643 770644 770645 770646 770647 771990 771991 771992 771993 771994 771995 771996 771997 771998
 771999 773541 773542 778211 780462 780463 780464 780465 780466 780467 780468 780469 780470 780471
 781837 781838 781839 781840 781841 781842 781843 781844 781875 781876 781877 781878 781879 781880
 781881 781882 785174 785175 785176 785177 785178 785179 785180 785181 785182 785183 785184 785185
 785186 785659 785660 785661 785662 790124 790125 790126 790127 790128 790129 795828 795829 795830
 795831 795832 795833 795834 795835 795836 795837 796365 796366 796367 796368 796369 796370 796371
 796372 796373 796374 796391 796392 796393 796394 796395 796396 796397 796398 796399 796400 799282
 799283 799284 799285 799286 799287 799288 799289 799290 799291 800193 800194 800195 800196 800197
 800198 800199 800200 800201 800202 807825 807826 807827 807828 807829 807830 807831 807832 807833
 807834 807835 807836 807837 807838 807839 811503 811504 811505 811506 811507 811508 811509 811510
 811511 811512 811513 811514 811515 815723 815724 815725 815726 815727 815728 815729 815730 815731
 815732 815733 815734 815735 815736 815737 815738 827972 827973 827974 827975 827976 827977 827978
 827979 827980 827981 827982 827983 827984 827985 827986 827987 835578 835579 835580 835581 835582
 835583 835584 835585 835586 835587 837992 837993 837994 838323 838324 838325 838326 838327 838328
 838329 838330 838331 838332 838333 838334 838335 838336 838337 841981 841982 841983



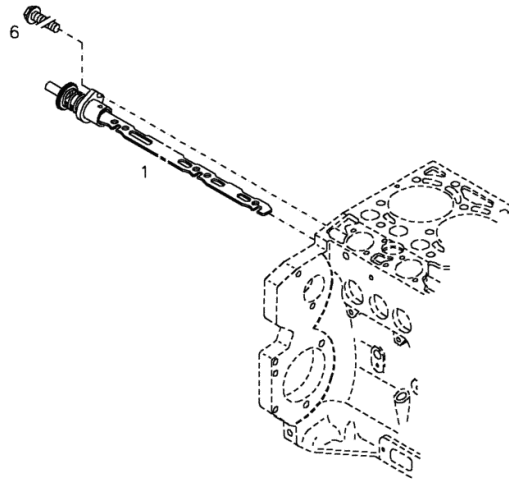
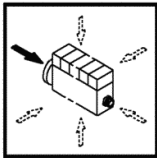
1	04209003	1	power control
2	01119139	1	tongue
3	01139615	1	nut
4	04207899	1	tube
5	01118700	1	'o' ring Ø 16 x 20
6	01118693	1	gasket 14x20
7	04207553	1	console
8	01181442	2	screw
9	01180509	1	tube

Section: ENGINE
CONTROL ROD

Fig.	Code	QTY	Name
------	------	-----	------

Engine Serial Numbers:

733877 736580 736581 736582 736583 736584 736585 736586 736587 740434 740435 740436 740437 740438
 740439 740440 740441 740442 740443 740444 740445 740446 740447 740448 743604 743605 743606 743607
 743608 743609 743610 743611 743612 743613 745129 745130 745131 745132 745133 745134 745135 745136
 745137 745138 745139 745140 745141 745142 745143 745144 745145 745146 745147 745148 752355 752356
 752357 752358 752359 752360 752361 752362 752363 752364 752365 752366 752367 752368 752369 752370
 754110 754111 754112 754113 754114 754115 754116 754117 754118 754232 754233 754234 757091 757092
 757093 757094 757095 757096 757097 757098 757099 757100 758361 758362 758363 758364 758365 758366
 758367 758368 758369 758370 758371 758372 762834 762835 762836 762837 762838 762839 762840 762841
 762842 762843 764104 765901 765902 765903 765904 765905 765906 765907 765908 765909 765910 765911
 765912 765913 765914 765915 770103 770104 770105 770106 770107 770638 770639 770640 770641 770642
 770643 770644 770645 770646 770647 771990 771991 771992 771993 771994 771995 771996 771997 771998
 771999 773541 773542 778211 780462 780463 780464 780465 780466 780467 780468 780469 780470 780471
 781837 781838 781839 781840 781841 781842 781843 781844 781875 781876 781877 781878 781879 781880
 781881 781882 785174 785175 785176 785177 785178 785179 785180 785181 785182 785183 785184 785185
 785186 785659 785660 785661 785662 790124 790125 790126 790127 790128 790129 795828 795829 795830
 795831 795832 795833 795834 795835 795836 795837 796365 796366 796367 796368 796369 796370 796371
 796372 796373 796374 796391 796392 796393 796394 796395 796396 796397 796398 796399 796400 799282
 799283 799284 799285 799286 799287 799288 799289 799290 799291 800193 800194 800195 800196 800197
 800198 800199 800200 800201 800202 807825 807826 807827 807828 807829 807830 807831 807832 807833
 807834 807835 807836 807837 807838 807839 811503 811504 811505 811506 811507 811508 811509 811510
 811511 811512 811513 811514 811515 815723 815724 815725 815726 815727 815728 815729 815730 815731
 815732 815733 815734 815735 815736 815737 815738 827972 827973 827974 827975 827976 827977 827978
 827979 827980 827981 827982 827983 827984 827985 827986 827987 835578 835579 835580 835581 835582
 835583 835584 835585 835586 835587 837992 837993 837994 838323 838324 838325 838326 838327 838328
 838329 838330 838331 838332 838333 838334 838335 838336 838337 841981 841982 841983



004 ©

1	02111840	1	rod
6	01181773	1	screw

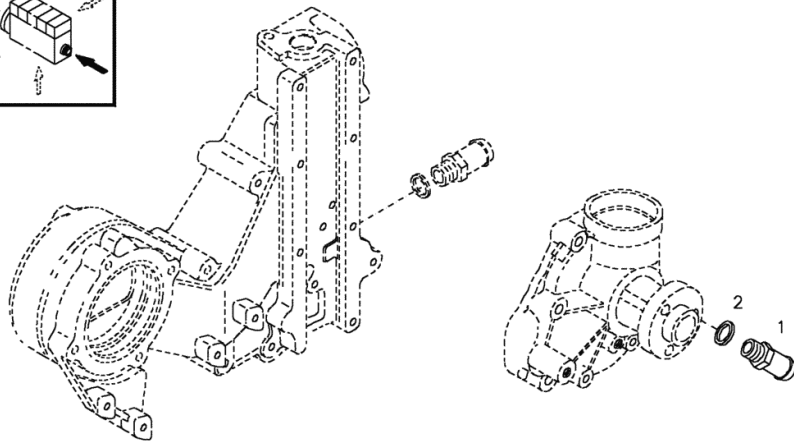
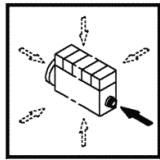
Section: ENGINE
CONNECTION

Fig.	Code	QTY	Name
------	------	-----	------

Engine Serial Numbers:

733877 736580 736581 736582 736583 736584 736585 736586 736587 740434 740435 740436 740437 740438
 740439 740440 740441 740442 740443 740444 740445 740446 740447 740448 743604 743605 743606 743607
 743608 743609 743610 743611 743612 743613 745129 745130 745131 745132 745133 745134 745135 745136
 745137 745138 745139 745140 745141 745142 745143 745144 745145 745146 745147 745148 752355 752356
 752357 752358 752359 752360 752361 752362 752363 752364 752365 752366 752367 752368 752369 752370
 754110 754111 754112 754113 754114 754115 754116 754117 754118 754232 754233 754234 757091 757092
 757093 757094 757095 757096 757097 757098 757099 757100 758361 758362 758363 758364 758365 758366
 758367 758368 758369 758370 758371 758372 762834 762835 762836 762837 762838 762839 762840 762841
 762842 762843 764104 765901 765902 765903 765904 765905 765906 765907 765908 765909 765910 765911
 765912 765913 765914 765915 770103 770104 770105 770106 770107 770638 770639 770640 770641 770642
 770643 770644 770645 770646 770647 771990 771991 771992 771993 771994 771995 771996 771997 771998
 771999 773541 773542 778211 780462 780463 780464 780465 780466 780467 780468 780469 780470 780471
 781837 781838 781839 781840 781841 781842 781843 781844 781875 781876 781877 781878 781879 781880
 781881 781882 785174 785175 785176 785177 785178 785179 785180 785181 785182 785183 785184 785185
 785186 785659 785660 785661 785662 790124 790125 790126 790127 790128 790129 795828 795829 795830
 795831 795832 795833 795834 795835 795836 795837 796365 796366 796367 796368 796369 796370 796371
 796372 796373 796374 796391 796392 796393 796394 796395 796396 796397 796398 796399 796400 799282
 799283 799284 799285 799286 799287 799288 799289 799290 799291 800193 800194 800195 800196 800197
 800198 800199 800200 800201 800202 807825 807826 807827 807828 807829 807830 807831 807832 807833
 807834 807835 807836 807837 807838 807839 811503 811504 811505 811506 811507 811508 811509 811510
 811511 811512 811513 811514 811515 815723 815724 815725 815726 815727 815728 815729 815730 815731
 815732 815733 815734 815735 815736 815737 815738 827972 827973 827974 827975 827976 827977 827978
 827979 827980 827981 827982 827983 827984 827985 827986 827987 835578 835579 835580 835581 835582
 835583 835584 835585 835586 835587 837992 837993 837994 838323 838324 838325 838326 838327 838328
 838329 838330 838331 838332 838333 838334 838335 838336 838337 841981 841982 841983

001 ©



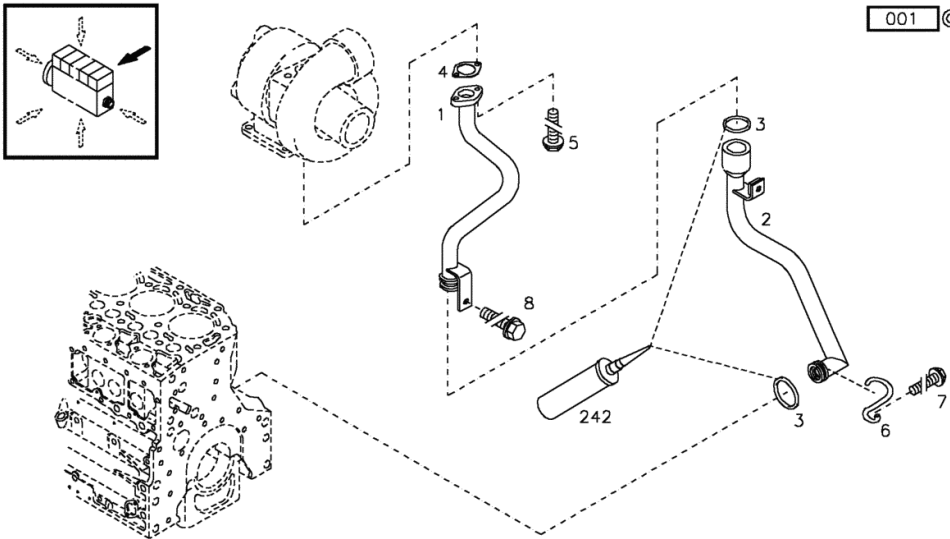
1	04206723	1	pipe fitting
2	01118700	1	'o' ring Ø 16 x 20

Section: ENGINE
RETURN LINE

Fig.	Code	QTY	Name
------	------	-----	------

Engine Serial Numbers:

733877 736580 736581 736582 736583 736584 736585 736586 736587 740434 740435 740436 740437 740438
 740439 740440 740441 740442 740443 740444 740445 740446 740447 740448 743604 743605 743606 743607
 743608 743609 743610 743611 743612 743613 745129 745130 745131 745132 745133 745134 745135 745136
 745137 745138 745139 745140 745141 745142 745143 745144 745145 745146 745147 745148 752355 752356
 752357 752358 752359 752360 752361 752362 752363 752364 752365 752366 752367 752368 752369 752370
 754110 754111 754112 754113 754114 754115 754116 754117 754118 754232 754233 754234 757091 757092
 757093 757094 757095 757096 757097 757098 757099 757100 758361 758362 758363 758364 758365 758366
 758367 758368 758369 758370 758371 758372 762834 762835 762836 762837 762838 762839 762840 762841
 762842 762843 764104 765901 765902 765903 765904 765905 765906 765907 765908 765909 765910 765911
 765912 765913 765914 765915 770103 770104 770105 770106 770107 770638 770639 770640 770641 770642
 770643 770644 770645 770646 770647 771990 771991 771992 771993 771994 771995 771996 771997 771998
 771999 773541 773542 778211 780462 780463 780464 780465 780466 780467 780468 780469 780470 780471
 781837 781838 781839 781840 781841 781842 781843 781844 781875 781876 781877 781878 781879 781880
 781881 781882 785174 785175 785176 785177 785178 785179 785180 785181 785182 785183 785184 785185
 785186 785659 785660 785661 785662 790124 790125 790126 790127 790128 790129 795828 795829 795830
 795831 795832 795833 795834 795835 795836 795837 796365 796366 796367 796368 796369 796370 796371
 796372 796373 796374 796391 796392 796393 796394 796395 796396 796397 796398 796399 796400 799282
 799283 799284 799285 799286 799287 799288 799289 799290 799291 800193 800194 800195 800196 800197
 800198 800199 800200 800201 800202 807825 807826 807827 807828 807829 807830 807831 807832 807833
 807834 807835 807836 807837 807838 807839 811503 811504 811505 811506 811507 811508 811509 811510
 811511 811512 811513 811514 811515 815723 815724 815725 815726 815727 815728 815729 815730 815731
 815732 815733 815734 815735 815736 815737 815738 827972 827973 827974 827975 827976 827977 827978
 827979 827980 827981 827982 827983 827984 827985 827986 827987 835578 835579 835580 835581 835582
 835583 835584 835585 835586 835587 837992 837993 837994 838323 838324 838325 838326 838327 838328
 838329 838330 838331 838332 838333 838334 838335 838336 838337 841981 841982 841983



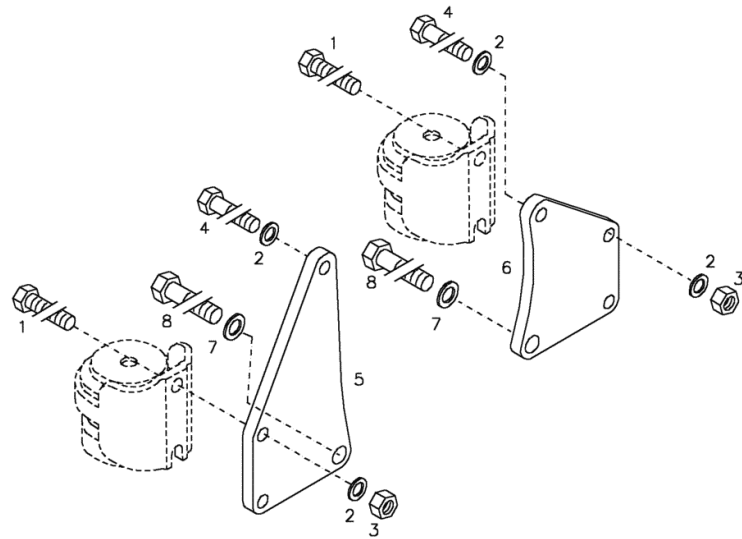
1	04206986	1	tube
2	04206988	1	tube
3	01180811	2	ring H 002927- 21,8 X 3,5 -FPM-1-70
4	04182520	1	gasket
5	01181433	2	screw EN 001662-F-M 8 X 20-LG 2,5-10.9-ZNAL-A
6	04255857	1	bracket
7	01181436	1	screw EN 001662-F-M 8 X 16-LG 2,5-10.9-ZNAL-A
8	01143382	1	screw EN 001662-F-M 8 X 12-LG 2,5-10.9-A4C
242	01016105	0	sealing compound

Section: ENGINE
ACCESSORIES

Fig.	Code	QTY	Name
------	------	-----	------

Engine Serial Numbers:

740434 740435 740436 740437 740438 740439 740440 740441 740442 740443 740444 740445 740446 740447
 740448 743604 743605 743606 743607 743608 743609 743610 743611 743612 743613 745129 745130 745131
 745132 745133 745134 745135 745136 745137 745138 745139 745140 745141 745142 745143 745144 745145
 745146 745147 745148 752355 752356 752357 752358 752359 752360 752361 752362 752363 752364 752365
 752366 752367 752368 752369 752370 754110 754111 754112 754113 754114 754115 754116 754117 754118
 754232 754233 754234 757091 757092 757093 757094 757095 757096 757097 757098 757099 757100 758361
 758362 758363 758364 758365 758366 758367 758368 758369 758370 758371 758372 762834 762835 762836
 762837 762838 762839 762840 762841 762842 762843 764104 765901 765902 765903 765904 765905 765906
 765907 765908 765909 765910 765911 765912 765913 765914 765915 770103 770104 770105 770106 770107
 770638 770639 770640 770641 770642 770643 770644 770645 770646 770647 771990 771991 771992 771993
 771994 771995 771996 771997 771998 771999 773541 773542 778211 780462 780463 780464 780465 780466
 780467 780468 780469 780470 780471 781837 781838 781839 781840 781841 781842 781843 781844 781875
 781876 781877 781878 781879 781880 781881 781882 785174 785175 785176 785177 785178 785179 785180
 785181 785182 785183 785184 785185 785186 785659 785660 785661 785662 790124 790125 790126 790127
 790128 790129 795828 795829 795830 795831 795832 795833 795834 795835 795836 795837 796365 796366
 796367 796368 796369 796370 796371 796372 796373 796374 796391 796392 796393 796394 796395 796396
 796397 796398 796399 796400 799282 799283 799284 799285 799286 799287 799288 799289 799290 799291
 800193 800194 800195 800196 800197 800198 800199 800200 800201 800202 807825 807826 807827 807828
 807829 807830 807831 807832 807833 807834 807835 807836 807837 807838 807839 811503 811504 811505
 811506 811507 811508 811509 811510 811511 811512 811513 811514 811515 815723 815724 815725 815726
 815727 815728 815729 815730 815731 815732 815733 815734 815735 815736 815737 815738 827972 827973
 827974 827975 827976 827977 827978 827979 827980 827981 827982 827983 827984 827985 827986 827987
 835578 835579 835580 835581 835582 835583 835584 835585 835586 835587 837992 837993 837994 838323
 838324 838325 838326 838327 838328 838329 838330 838331 838332 838333 838334 838335 838336 838337
 841981 841982 841983



001 ©

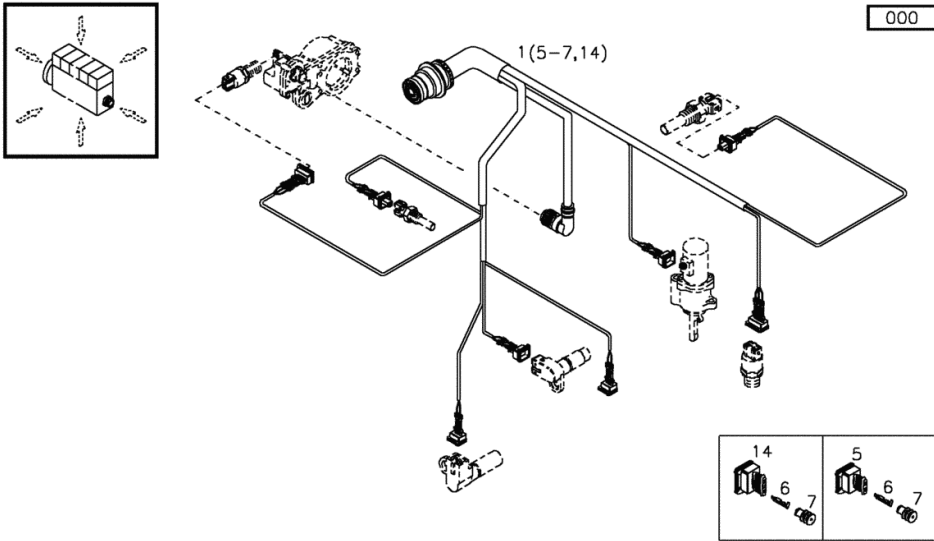
1	01112547	4	screw m 12 x 40, d933
2	01182016	6	disc
3	01112858	4	nut m 12, d934
4	01139722	2	screw m 12 x 85
5	04206926	1	plate dx/rh/re
6	04206927	1	plate sx/lh/li
7	01181400	2	washer
8	01111909	2	screw m 16x85

Section: ENGINE
ENGINE ELECTRICAL SYSTEM

Fig.	Code	QTY	Name
------	------	-----	------

Engine Serial Numbers:

733877 736580 736581 736582 736583 736584 736585 736586 736587 740434 740435 740436 740437 740438
 740439 740440 740441 740442 740443 740444 740445 740446 740447 740448 743604 743605 743606 743607
 743608 743609 743610 743611 743612 743613 745129 745130 745131 745132 745133 745134 745135 745136
 745137 745138 745139 745140 745141 745142 745143 745144 745145 745146 745147 745148 752355 752356
 752357 752358 752359 752360 752361 752362 752363 752364 752365 752366 752367 752368 752369 752370
 754110 754111 754112 754113 754114 754115 754116 754117 754118 754232 754233 754234 757091 757092
 757093 757094 757095 757096 757097 757098 757099 757100 758361 758362 758363 758364 758365 758366
 758367 758368 758369 758370 758371 758372 762834 762835 762836 762837 762838 762839 762840 762841
 762842 762843 764104 765901 765902 765903 765904 765905 765906 765907 765908 765909 765910 765911
 765912 765913 765914 765915 770103 770104 770105 770106 770107 770638 770639 770640 770641 770642
 770643 770644 770645 770646 770647 771990 771991 771992 771993 771994 771995 771996 771997 771998
 771999 773541 773542 778211 780462 780463 780464 780465 780466 780467 780468 780469 780470 780471
 781837 781838 781839 781840 781841 781842 781843 781844 781875 781876 781877 781878 781879 781880
 781881 781882 785174 785175 785176 785177 785178 785179 785180 785181 785182 785183 785184 785185
 785186 785659 785660 785661 785662 790124 790125 790126 790127 790128 790129 795828 795829 795830
 795831 795832 795833 795834 795835 795836 795837 796365 796366 796367 796368 796369 796370 796371
 796372 796373 796374 796391 796392 796393 796394 796395 796396 796397 796398 796399 796400 799282
 799283 799284 799285 799286 799287 799288 799289 799290 799291 800193 800194 800195 800196 800197
 800198 800199 800200 800201 800202 807825 807826 807827 807828 807829 807830 807831 807832 807833
 807834 807835 807836 807837 807838 807839 811503 811504 811505 811506 811507 811508 811509 811510
 811511 811512 811513 811514 811515 815723 815724 815725 815726 815727 815728 815729 815730 815731
 815732 815733 815734 815735 815736 815737 815738 827972 827973 827974 827975 827976 827977 827978
 827979 827980 827981 827982 827983 827984 827985 827986 827987 835578 835579 835580 835581 835582
 835583 835584 835585 835586 835587 837992 837993 837994 838323 838324 838325 838326 838327 838328
 838329 838330 838331 838332 838333 838334 838335 838336 838337 841981 841982 841983



1	04199869	1	electrical system WITH ITEM (2-7,13,14,16,24-26)
2	04190860	2	plug
3	04190853	5	gasket
4	04190848	10	gasket
5	04190847	4	box
6	04190852	6	pin
7	04190851	10	gasket
13	04199793	1	box
14	04398874	2	box
16	04199973	2	connection
24	04199563	1	plug
25	04199565	5	pin
26	04199599	1	tube

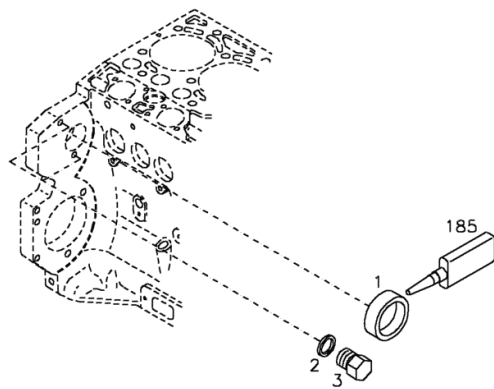
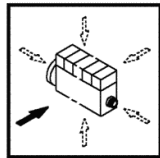
Section: ENGINE
CLOSING COMPONENTS

Fig.	Code	QTY	Name
------	------	-----	------

Engine Serial Numbers:

733877 736580 736581 736582 736583 736584 736585 736586 736587 740434 740435 740436 740437 740438
 740439 740440 740441 740442 740443 740444 740445 740446 740447 740448 743604 743605 743606 743607
 743608 743609 743610 743611 743612 743613 745129 745130 745131 745132 745133 745134 745135 745136
 745137 745138 745139 745140 745141 745142 745143 745144 745145 745146 745147 745148 752355 752356
 752357 752358 752359 752360 752361 752362 752363 752364 752365 752366 752367 752368 752369 752370
 754110 754111 754112 754113 754114 754115 754116 754117 754118 754232 754233 754234 757091 757092
 757093 757094 757095 757096 757097 757098 757099 757100 758361 758362 758363 758364 758365 758366
 758367 758368 758369 758370 758371 758372 762834 762835 762836 762837 762838 762839 762840 762841
 762842 762843 764104 765901 765902 765903 765904 765905 765906 765907 765908 765909 765910 765911
 765912 765913 765914 765915 770103 770104 770105 770106 770107 770638 770639 770640 770641 770642
 770643 770644 770645 770646 770647 771990 771991 771992 771993 771994 771995 771996 771997 771998
 771999 773541 773542 778211 780462 780463 780464 780465 780466 780467 780468 780469 780470 780471
 781837 781838 781839 781840 781841 781842 781843 781844 781875 781876 781877 781878 781879 781880
 781881 781882 785174 785175 785176 785177 785178 785179 785180 785181 785182 785183 785184 785185
 785186 785659 785660 785661 785662 790124 790125 790126 790127 790128 790129 795828 795829 795830
 795831 795832 795833 795834 795835 795836 795837 796365 796366 796367 796368 796369 796370 796371
 796372 796373 796374 796391 796392 796393 796394 796395 796396 796397 796398 796399 796400 799282
 799283 799284 799285 799286 799287 799288 799289 799290 799291 800193 800194 800195 800196 800197
 800198 800199 800200 800201 800202 807825 807826 807827 807828 807829 807830 807831 807832 807833
 807834 807835 807836 807837 807838 807839 811503 811504 811505 811506 811507 811508 811509 811510
 811511 811512 811513 811514 811515 815723 815724 815725 815726 815727 815728 815729 815730 815731
 815732 815733 815734 815735 815736 815737 815738 827972 827973 827974 827975 827976 827977 827978
 827979 827980 827981 827982 827983 827984 827985 827986 827987 835578 835579 835580 835581 835582
 835583 835584 835585 835586 835587 837992 837993 837994 838323 838324 838325 838326 838327 838328
 838329 838330 838331 838332 838333 838334 838335 838336 838337 841981 841982 841983

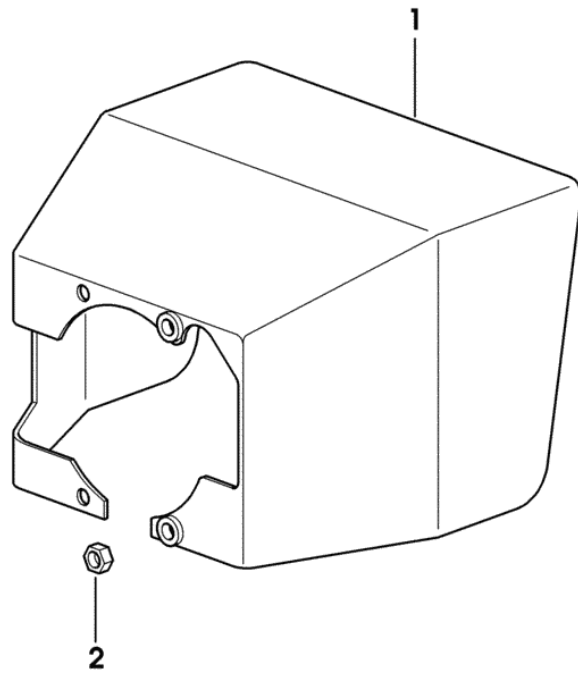
003 ©



1	01165839	1	stop
2	01118659	2	'o' ring
3	01181401	2	screw
185	01016127	1	sealing compound ml. 50

P.T.O. SHAFT PROTECTOR REAR

Fig.	Code	QTY	Name
1	0.013.0049.3	1	guard
2	01112824	4	nut m 8, d934



9_A3536_20_0_0

Section: FRONT AXEL

FRONT CARRIER SUSPENSION SYSTEM

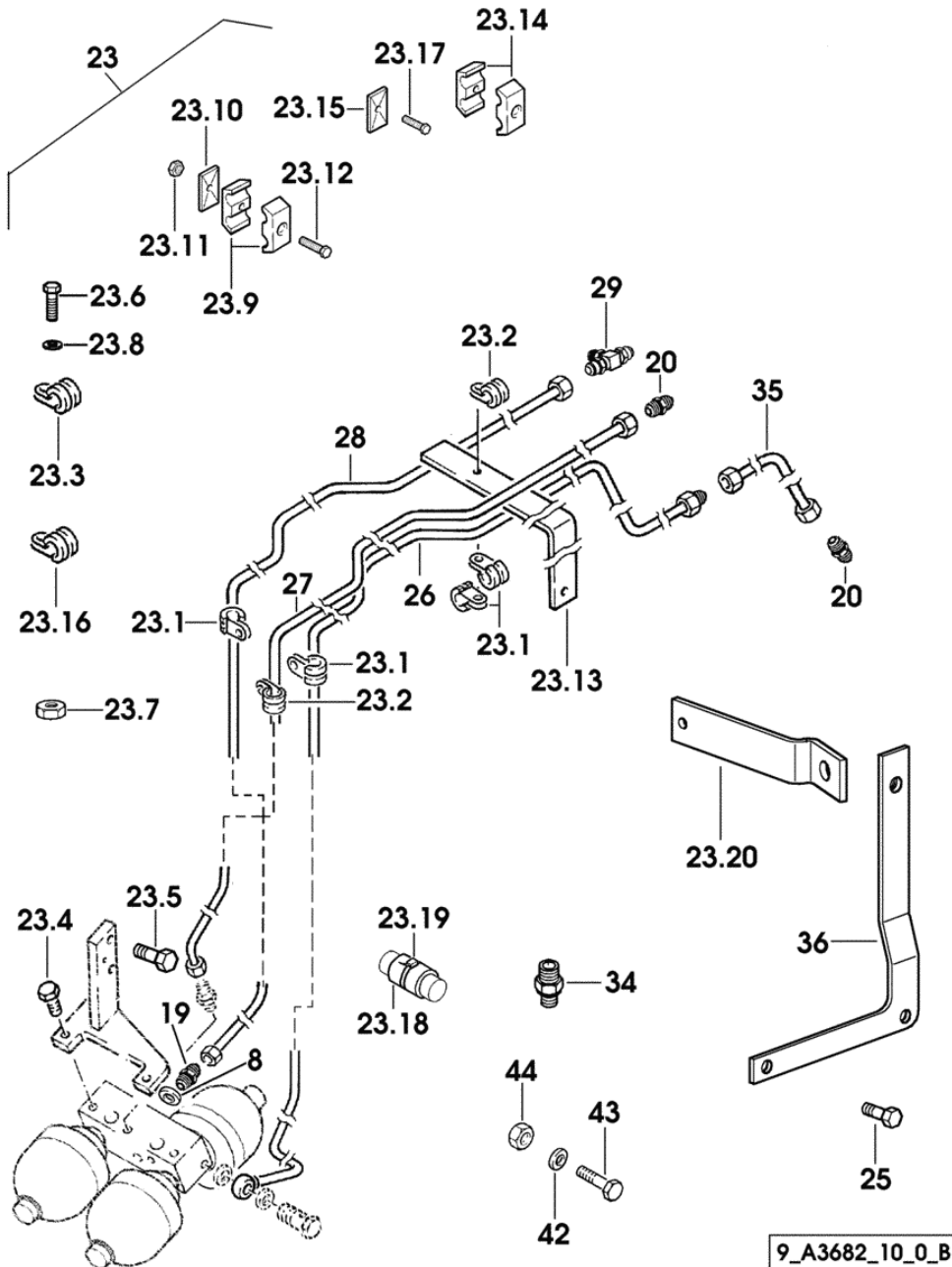


Fig.	Code	QTY	Name
8	01138374	4	washer 8,4x21x4
19	01177226	3	pipe fitting m 18 p.1.5 x 15
20	01180558	2	pipe fitting M 16X1.5X10
23	04437840.4	1	kit
23.1	01220008	4	hose clip B10X20
23.2	01212670	3	hose clip B10X15
23.3	01179680	4	clamp A15X15
23.4	01139931	2	screw m 10 x 25
23.5	01112529	2	screw m 12 x 30, d933
23.6	01103316	3	screw m 6 p.1.0 x 16
23.7	01127079	2	nut m 6
23.8	01178434	2	washer 13X21X1.5
23.9	01175727	2	terminal
23.10	01175670	1	small plate
23.11	01112824	1	nut m 8, d934
23.12	01124457	1	screw m 8 x 45
23.13	04426998	1	console
23.14	01175615	4	terminal Ø 16
23.15	01178734	3	small plate
23.16	01172129	2	terminal B8X15
23.17	01112279	1	screw m 6 p.1 x 40
23.18	02382224	1	sleeve 12
23.19	01172065	1	clamp 4.6 x 146
23.20	04436639	1	support
25	04418656	2	screw
26	04437821	1	pipng
27	04437822	1	tube
28	04437823	1	tube
29	04427045	1	pipe fitting T
34	01179243	1	pipe fitting M 14X1.5X10
35	04450489	1	pipng
36	04438092	1	support
42	01119817	1	washer
43	01123749	1	screw m 6 x 25
44	01127079	1	nut m 6

9_A3682_10_0_B

DIFFERENTIAL LOCK CONTROL - FOR TYPES WITH "ASM SYSTEM" ZF

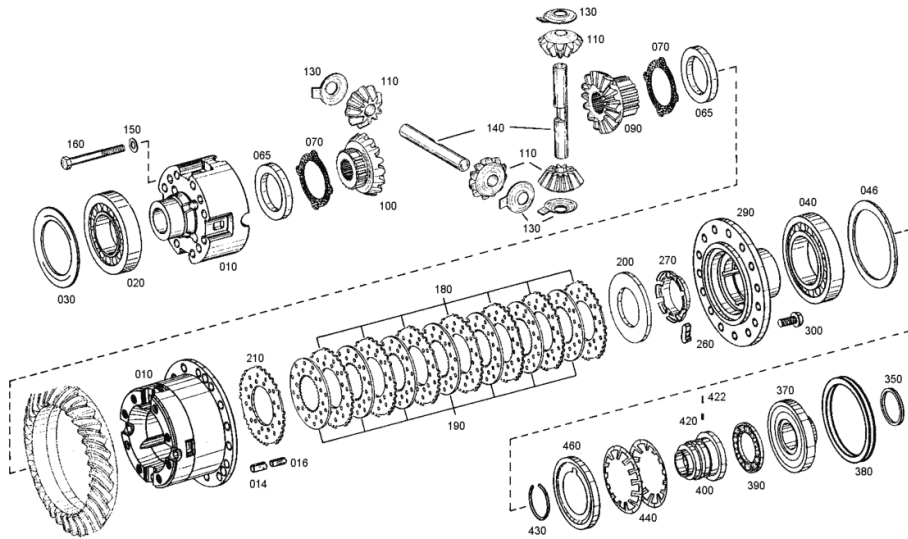


Fig.	Code	QTY	Name
180	04415162	7	thin plate mm 1.4
180	04415163	7	thin plate mm 1.5
180	04415164	7	thin plate mm 1.6
180	04415165	7	thin plate mm 1.7
180	04415166	7	thin plate mm 1.8
190	04415167	7	thin plate
200	04415184	1	pressure plate
210	04415183	1	washer
260	04415182	8	lever
270	04415181	1	roller cage
290	04415180	1	cover
300	04415388	15	screw m 10 p.1.25 x 30
350	04415178	1	ring 50.16x5.33
370	04415179	1	piston
380	04415185	1	ring 107.30x5.33
390	04415186	1	bearing
400	04415187	1	sleeve
420	0.010.2941.0	1	pin 5x10
422	0.010.2941.1	1	pin 3x10
430	0.010.2941.2	1	circlip
440	04415188	2	spring
460	04415189	1	shim

HALF-SHAFTS AND STUB AXLE HOUSING - FOR TYPES WITH "ASM SYSTEM"
ZF

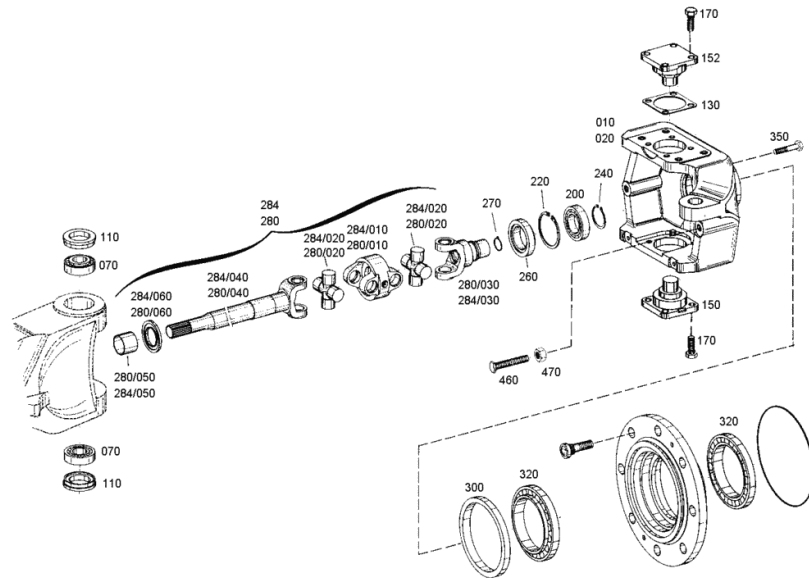
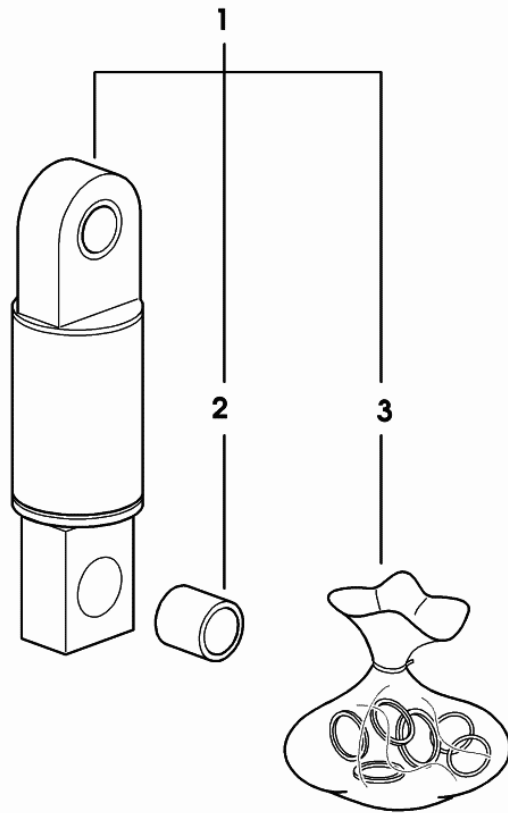


Fig.	Code	QTY	Name
10	04415064	1	body sx/lh/li
20	04415065	1	body dx/rh/re
70	01175920	4	roller bearing
110	0.010.2931.1	4	rubber plug
130	04415106	2	shim A = 0.2
130	04415107	2	shim A = 0.3
130	0.010.2934.1	2	disc A = 0.4
130	0.010.2934.0	2	disc A = 0.6
130	0.010.2933.2	2	disc A = 0.8
130	04415108	2	shim A = 1.0
130	0.010.2934.2	2	disc A = 1.4
130	04415109	2	shim A = 1.6
130	0.010.2933.1	2	disc A = 1.8
130	04415110	2	shim A = 2.0
130	0.010.2933.0	2	disc A = 0.5
130	0.010.2932.2	2	disc A = 0.7
130	0.010.2932.1	2	disc A = 0.9
130	0.010.2931.2	2	disc A = 1.1
130	0.010.2932.0	2	disc A = 1.2
130	0.010.2935.0	2	disc A = 1.3
150	04415111	3	pin
152	04415112	1	pin
170	0.010.2935.1	16	screw m 12 x 30
200	04415113	2	ball bearing
220	0.010.2624.0	2	circlip 90x3
240	0.010.2888.1	2	circlip 55 x 2.0
260	0.900.0078.9	2	'o' ring
270	04415122	2	circlip
280	04415115.4	1	half-shaft dx/rh/re
280.10	04415124	1	support
280.20	04415125	2	universal joint
280.30	04415126	1	fork
280.40	04415127	1	joint dx/rh/re
280.50	0.010.3094.2	1	bushing
280.60	0.010.3095.0	1	ring
284	04415116.4	1	half-shaft sx/lh/li
284.10	04415124	1	support
284.20	04415125	2	universal joint
284.30	04415126	1	fork
284.40	04415128	1	joint sx/lh/li
284.50	0.010.3094.2	1	bushing
284.60	0.010.3095.0	1	ring

Section: FRONT AXEL
CYLINDER PARTS OGNIBENE

Fig.	Code	QTY	Name
1	0.013.9105.4	1	cylinder dx/rh/re
2	0.900.0038.2	2	sleeve
3	0.900.0038.1	1	gasket set



0_013_9105_4

Section: GEAR

SUPER-REDUCTION CONTROL

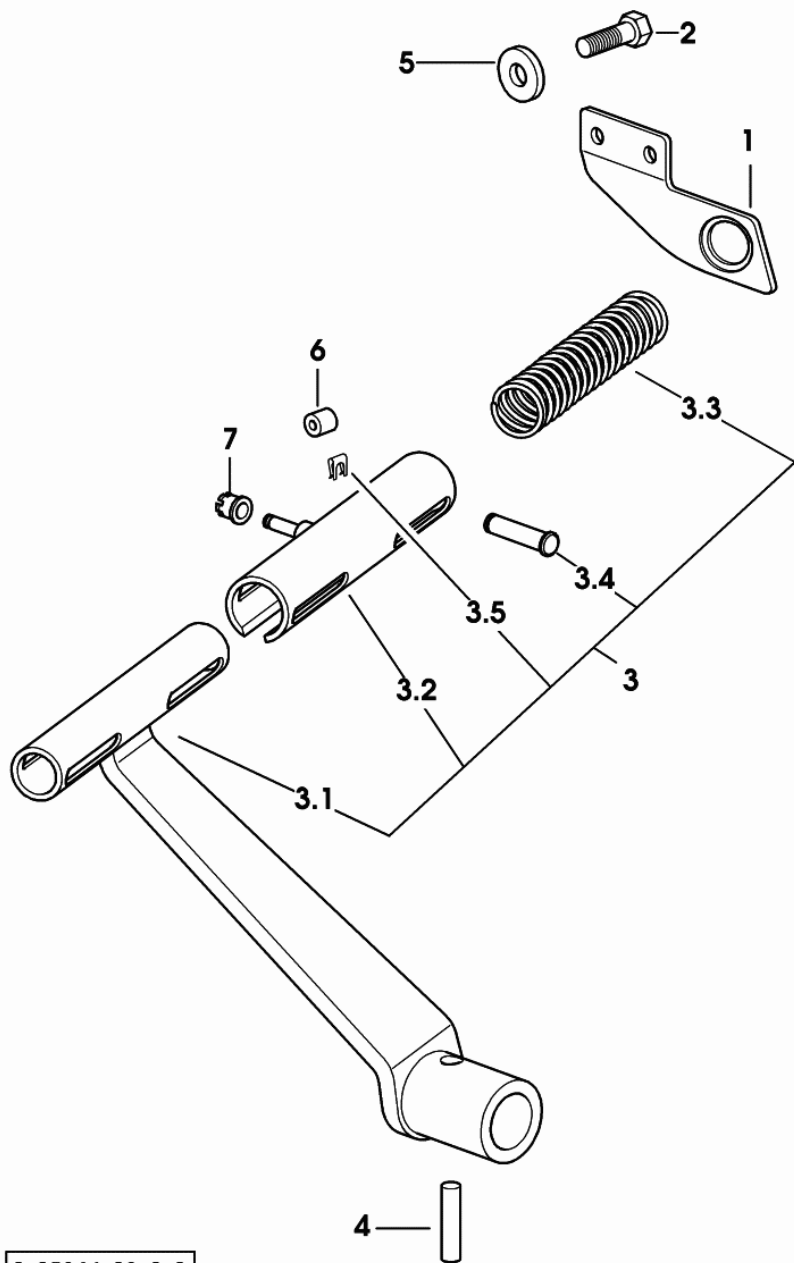
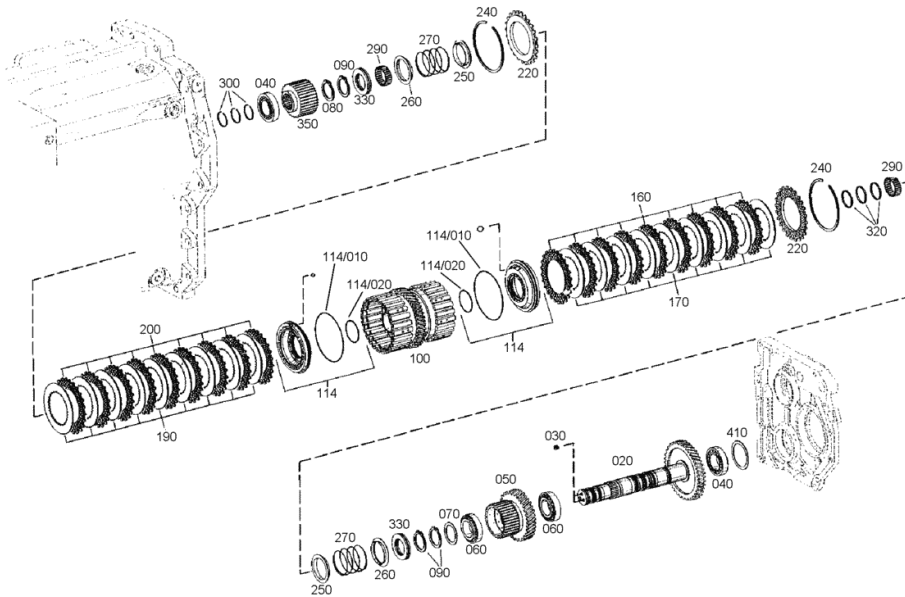


Fig.	Code	QTY	Name
1	04411750	1	support
2	01144692	2	screw m 8 p.1.25 x 20
3	04415458.4	1	lever
3.1	04414553.4	1	lever
3.2	04414554.4	1	tube
3.3	04414549	1	spring
3.4	04414557	2	pin
3.5	01175655	2	stop
4	01143145	1	pin
5	04418159	2	circlip
6	04415468	1	stop
7	04415469	1	small spring

9_95364_03_0_0

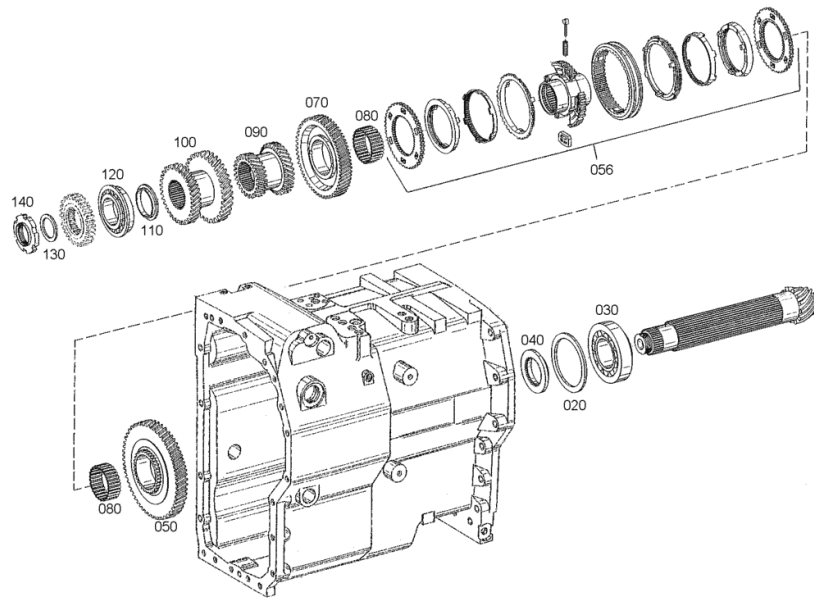
Section: GEAR
POWERSHIFT

Fig.	Code	QTY	Name
160	04416760	9	clutch disc AV 35
170	04416967	9	clutch disc
190	04416967	9	clutch disc
200	04416760	9	clutch disc AV 35
220	04416763	2	disc
240	04416765	2	circlip A = 2.0
240	04416766	2	circlip A = 2.5
240	04416767	2	circlip A = 3.0
240	04416768	2	circlip A = 3.5
250	04416758	2	ring
260	04416954	2	ring
270	04416759	2	spring
290	04416955	2	roller cage
300	04415761	3	ring 35x2
320	04416956	3	ring 38/35.2x2
330	04416957	2	bearing
350	04416958	1	plate carrier Z = 36
410	04417041	1	washer mm 1.90
410	04417042	1	washer mm 1.95
410	04417043	1	washer mm 2.00
410	04417044	1	washer mm 2.05
410	04417045	1	washer mm 2.10
410	04417046	1	washer mm 2.15
410	04417047	1	washer mm 2.20
410	04417048	1	washer mm 2.25
410	04417049	1	washer mm 2.30
410	04417050	1	washer mm 2.35
410	04417051	1	washer mm 2.40
410	04417052	1	washer mm 2.45
410	04417053	1	washer mm 2.50
410	04417054	1	washer mm 2.55
410	04417055	1	washer mm 2.60
410	04424430	1	washer mm 2.65
410	04424431	1	washer mm 2.70
410	04424432	1	washer mm 2.75
410	04424433	1	washer mm 2.80
410	04424434	1	washer mm 2.85
410	04424435	1	washer mm 2.90



Section: GEAR
MAIN SHAFT

Fig.	Code	QTY	Name
110	04417164	1	shim s = 9.9
110	04417165	1	shim s = 9.8
110	04417166	1	shim s = 9.7
110	04417167	1	shim s = 9.6
110	04424444	1	shim s = 9.85
110	04424445	1	shim s = 9.95
110	04424446	1	shim s = 10.05
110	04424447	1	shim s = 10.15
110	04435222	1	shim s = 10.35
110	0.010.2858.0	1	shim s = 10.25
110	0.010.2858.1	1	shim s = 10.45
110	0.010.2858.2	1	shim s = 10.50
110	0.010.2859.0	1	shim s = 10.55
110	0.010.2859.1	1	shim s = 10.60
120	04416082	1	roller bearing
130	04417146	1	shim s = 3.4
130	04417147	1	shim s = 3.35
130	04417148	1	shim s = 3.3
130	04417149	1	shim s = 3.25
130	04417150	1	shim s = 3.2
130	04417151	1	shim s = 3.15
130	04417152	1	shim s = 3.1
130	04417153	1	shim s = 3.45
130	04417154	1	shim s = 3.50
130	04417155	1	shim s = 3.55
130	04417156	1	shim s = 3.60
130	04417157	1	shim s = 3.65
130	04417158	1	shim s = 3.70
130	04424442	1	shim s = 2.90
130	04424443	1	shim s = 3.00
130	0.010.2859.2	1	shim s = 3.75
130	0.010.2860.0	1	shim s = 3.80
130	0.010.2860.1	1	shim s = 3.85
130	0.010.2860.2	1	shim s = 3.90
130	0.010.2861.0	1	shim s = 3.95
130	0.010.2861.1	1	shim s = 4.00
140	04415763	1	ring nut



Section: GEAR

CONTROL UNIT - WITH HYDRAULIC SHUTTLE

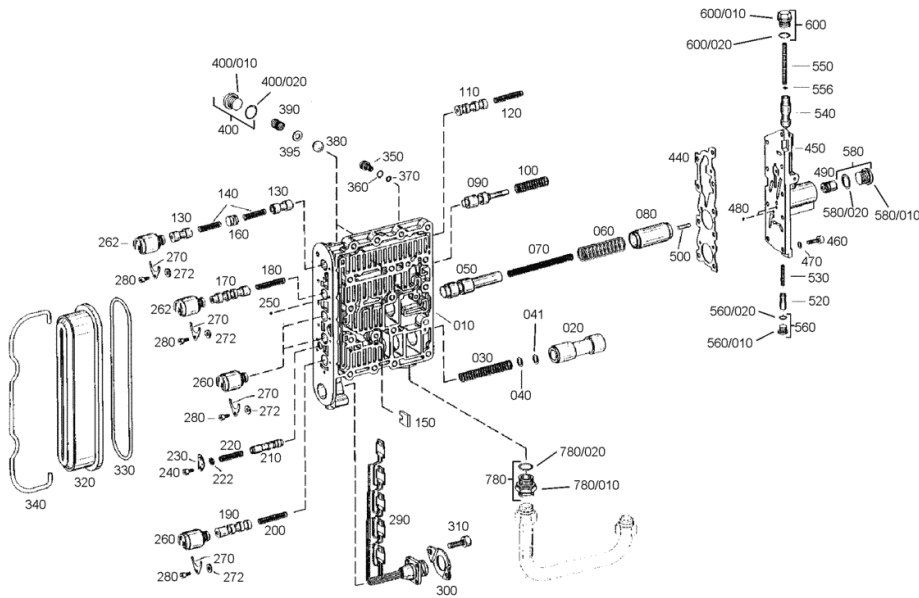


Fig.	Code	QTY	Name
10	04416824	1	distributor
20	04423298	1	piston
30	04416657	1	spring
40	02371798	1	shim mm 10x16x0.2
40	04416658	1	shim mm 10x16x0.3
40	04416659	1	shim mm 10x16x0.4
40	04416660	1	shim mm 10x16x0.5
40	04416661	1	shim mm 10x16x1
41	04416661	3	shim mm 10x16x1
50	04416664	1	piston
60	04416665	1	spring
70	04416666	1	spring
80	04416825	1	piston
90	04417095	1	piston
100	04416669	1	spring
110	04416826	1	piston
120	04416671	1	spring
130	04423374	2	piston
140	04416828	2	spring
150	04416829	1	small plate
160	04416830	1	contact surface
170	04416831	1	piston
180	04416671	1	spring
190	04416833	1	piston
200	04416671	1	spring
210	04419156	1	valve
220	04416682	1	spring
222	04416832	1	ring
230	04419157	1	rotor blade
240	04434505	2	screw m 5x10
250	04416684	10	ball
260	04416685	3	electro valve
262	04436315	2	electro valve
270	04416677	5	stop
272	04359458	5	washer mm 2.00
280	04434506	5	screw m 5 x 12
290	04416837	1	electrical system
300	04416687	1	lamination
310	04434507	2	screw m 6 x 14
320	04416838	1	cover
330	04417233	1	ring 159.2x5.7
340	04416690	1	bracket
350	04416691	1	diaphragm mm 0.8
350	04416692	1	diaphragm mm 0.75

Section: GEAR
PUMP DRIVE

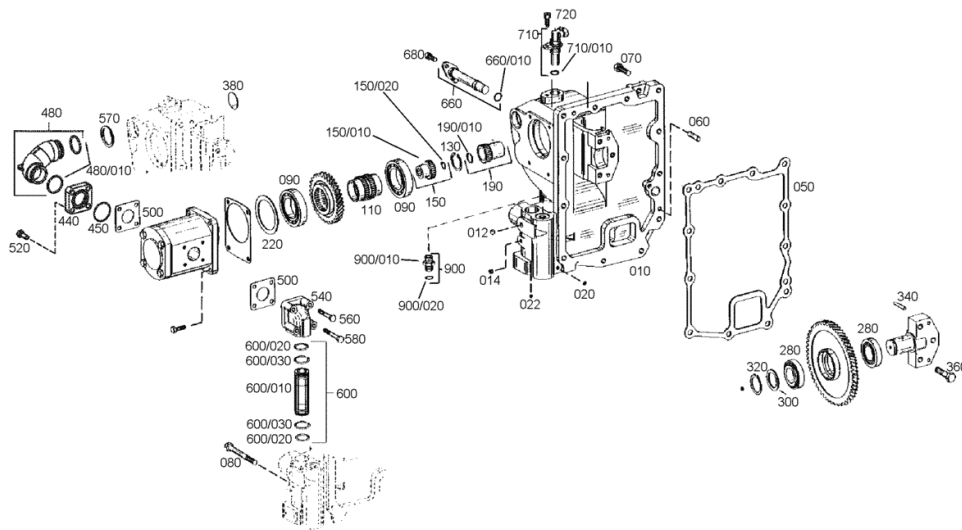
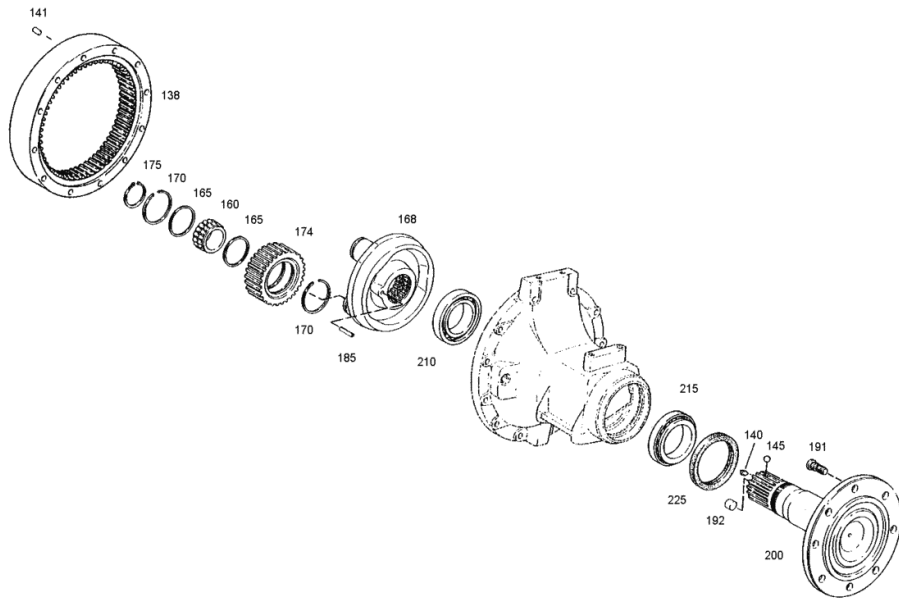


Fig.	Code	QTY	Name
300	04416778	1	shim mm 2.50
300	04416775	1	shim mm 2.50
300	04417126	1	shim mm 1.85
300	04417127	1	shim mm 1.90
300	04417128	1	shim mm 1.95
320	0.010.2621.1	1	circlip 30x2
340	04415823	2	screw 8 m 6x36
360	04434547	3	screw m 12 x 45
			-> (...)
360	0.010.2873.0	3	screw m 12 x 45
			(...) <-
380	0.010.2621.2	1	washer 34
440	0.900.0051.2	1	flange
			-> (...)
440	04415824	1	flange
			(...) <-
450	0.900.0051.3	1	'o' ring
480	0.900.0051.4	1	manifold
			-> (...)
480	0.010.2873.2	1	manifold
			(...) <-
480.10	0.010.3728.0	2	'o' ring 33x2.5
			-> (...)
480.10	04415825	2	ring 30x2.5
			(...) <-
500	04415827	1	gasket
520	0.010.2874.0	4	screw m 8 x 22
540	04415836	1	manifold
560	04434549	2	screw m 8 x 45
570	04417924	1	shim s = 2.3
570	04417925	1	shim s = 2.2
570	04417926	1	shim s = 2.1
570	04417927	1	shim s = 2.0
570	04417928	1	shim s = 1.9
570	0.010.3821.2	1	washer s = 2.4
580	0.010.3782.2	2	screw m 8 x 55
600	0.010.2874.1	1	tube
600.10	04415837	1	tube
600.20	04415838	2	ring 23X2.5
600.30	0.010.2621.3	2	circlip
660	04438436	1	speed sensor
660.10	04417747	1	'o' ring 15.54x2.62
680	0.010.2875.0	1	screw m 8 x 18
710	0.010.2874.2	1	speed sensor

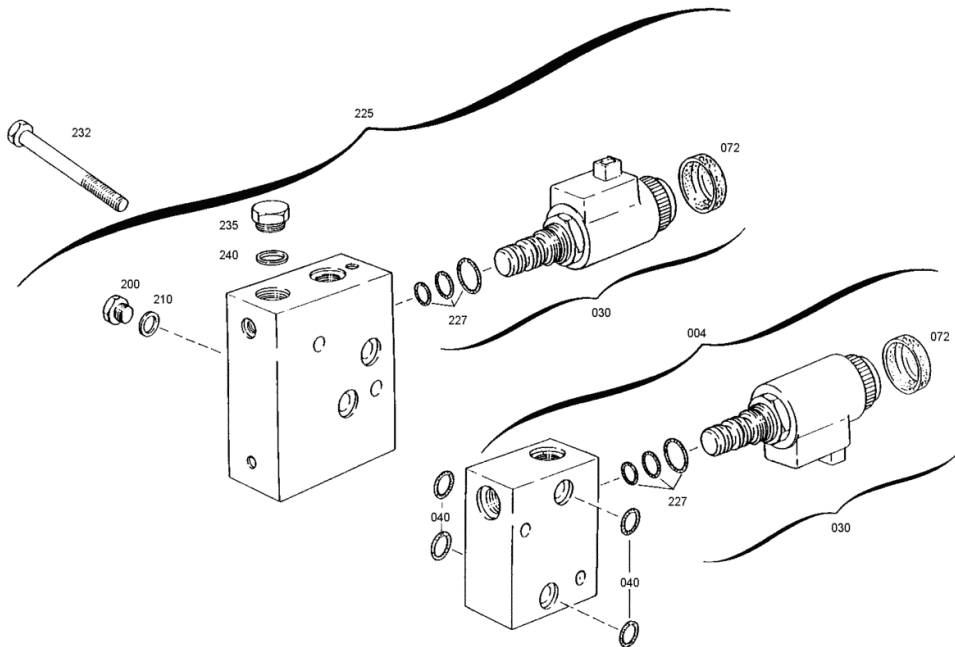
Section: GEAR
DIFFERENTIAL

Fig.	Code	QTY	Name
138	0.010.2970.2	2	crown wheel
140	04417321	2	stop
141	04417463	2	pin
145	04309268	2	ball
160	0.010.3266.1	6	roller bearing
165	04417325	12	shim
168	04417616	2	spider
170	04417326	12	ring
174	04417617	6	gear Z = 60
175	0.010.2888.1	6	circlip 55 x 2.0
185	04427622	2	roll pin 8x90
191	0.010.3703.2	16	screw m 22
192	04417320	2	roller
200	0.010.2971.0	2	axle shaft
210	04417611	2	bearing
215	04417612	2	bearing
225	04436288	2	ring



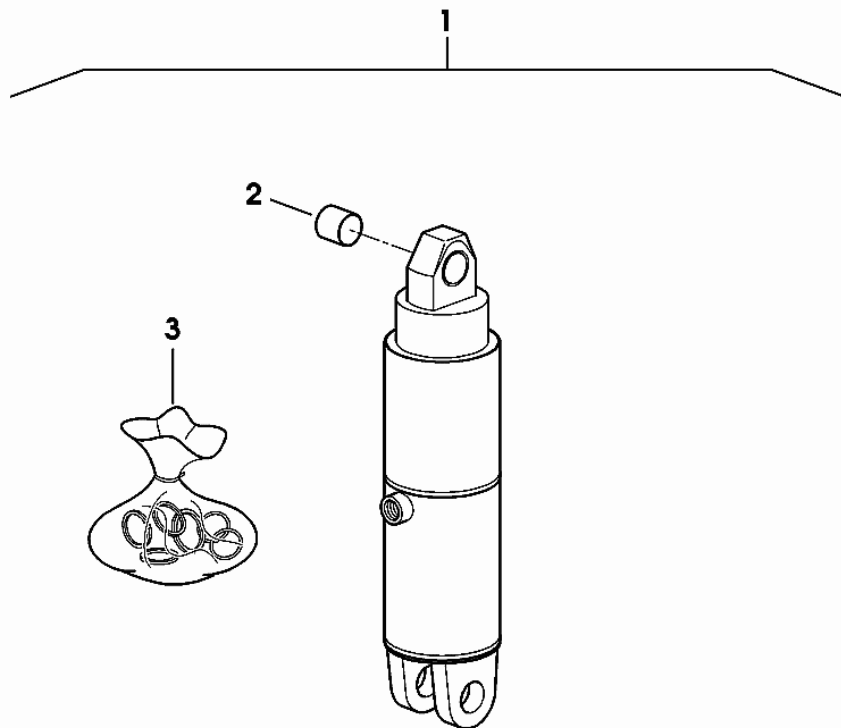
Section: GEAR
CONTROL UNIT - GEARS

Fig.	Code	QTY	Name
4	04423824	1	distributor
30	04417555	2	valve
40	04417556	4	ring
72	04423818	2	small sump
200	04417563	2	screw m 10 x 1
210	0.010.2905.1	2	gasket 10x13.5
225	0.010.2628.2	1	controller
227	04422923	2	gasket set
232	0.010.2905.2	2	screw m 8x95
235	04417441	2	screw m 14x1.5
240	04423731	2	'o' ring 14 x 18



CYLINDER PARTS mm 100

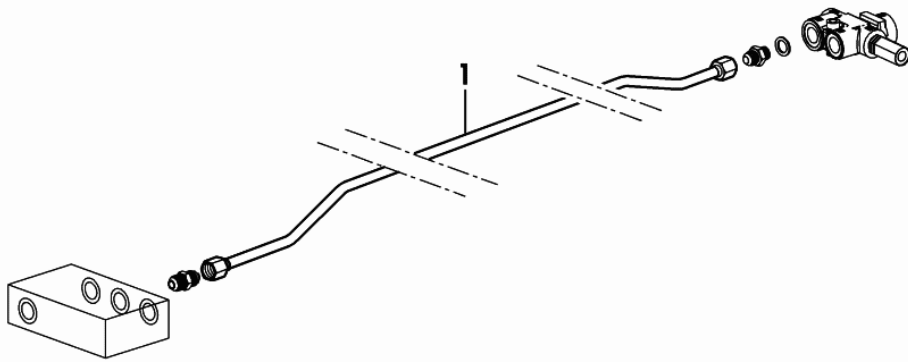
Fig.	Code	QTY	Name
1	04411184.4/10	1	jack mm 100
2	04422762	1	bushing OGNIBENE
3	04417813.4	1	gasket set OGNIBENE



04411184_4_10

COMPLETION - FOR TRACTORS WITHOUT HYDRAULIK BREAKING FOR TRAILER

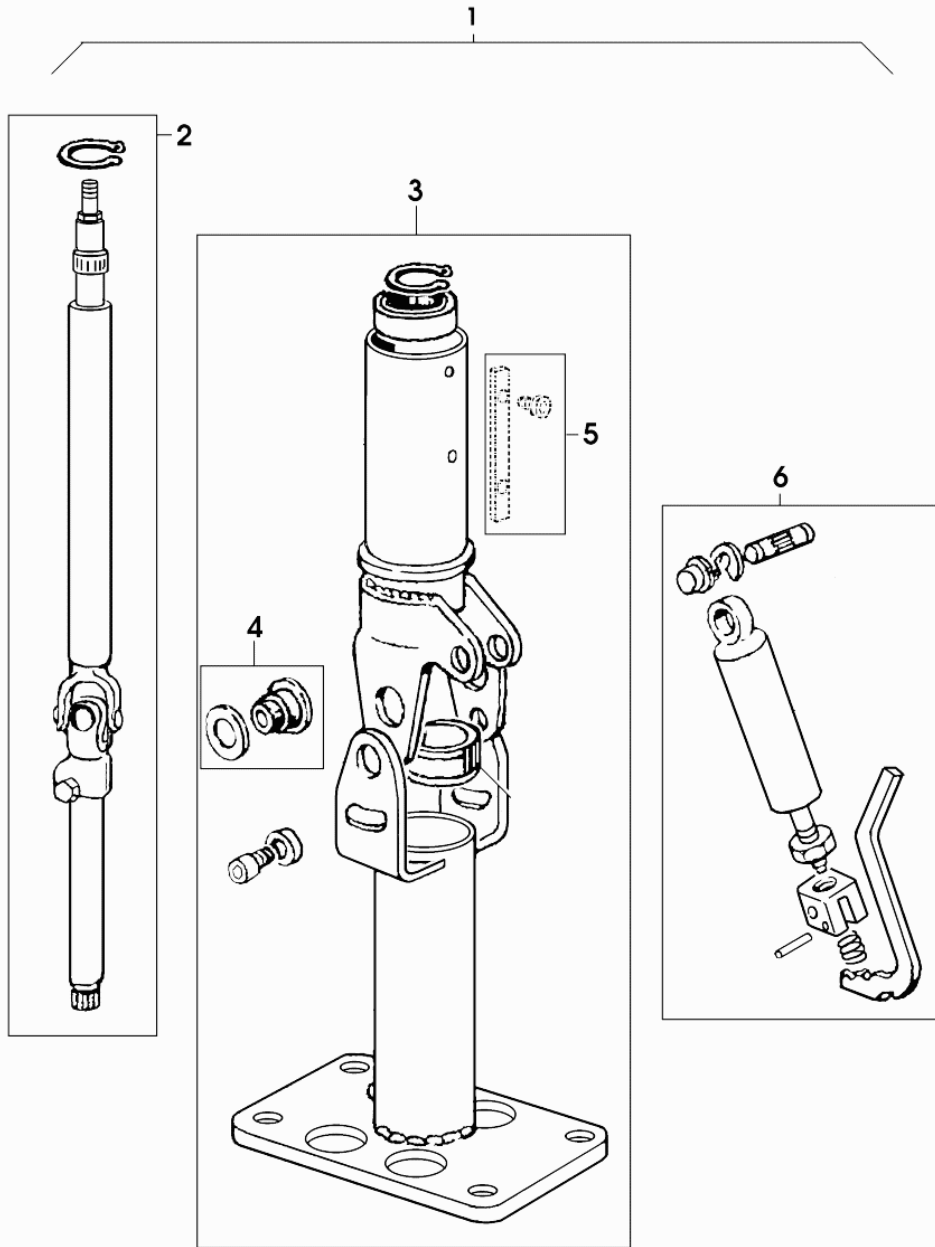
Fig.	Code	QTY	Name
1	04450493	1	tube



9_95363_07_0_0

STEERING COLUMN

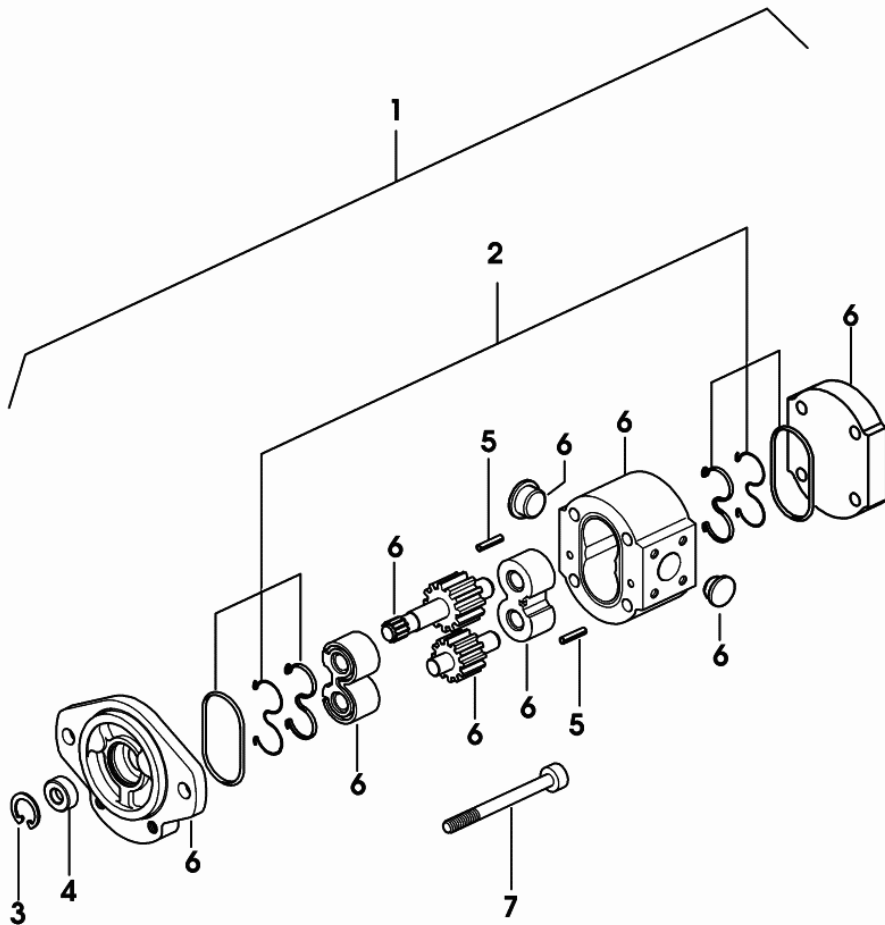
Fig.	Code	QTY	Name
1	0.011.5612.4/20	1	steering shaft
2	0.010.3700.0	1	shaft
3	0.010.3700.1	1	column
4	0.010.3700.2	1	pin
5	0.010.3701.0	1	dowel
6	0.010.3701.1	1	spring



0_011_5612_4_20

HYDRAULIC PUMP PARTS

Fig.	Code	QTY	Name
1	04450516	1	hydraulic pump 32 cc
2	04417976	1	gasket set
3	0.010.3524.2	1	circlip
4	04417973	1	repair seal set
5	0.010.3545.1	2	cylindrical plug
6	0.000.0000.1	0	not serviceable
7	0.010.3545.0	4	screw



04450516

CLICK HERE TO **DOWNLOAD** THE COMPLETE MANUAL

- Thank you very much for reading the preview of the manual.
- You can download the complete manual from: www.heydownloads.com by clicking the link below



- Please note: If there is no response to CLICKING the link, please download this PDF first and then click on it.

CLICK HERE TO **DOWNLOAD** THE COMPLETE MANUAL