

Agrotron 130 -> 8113 1001

ACCESSORIES

GENERAL

PLATE FOR QUICK-ACTION COUPLERS.....	0E.00.1
4-WAY HYDRAULIC CONTROL VALVE WITHOUT AIR BRAKING.....	0E.00.2
4-WAY HYDRAULIC CONTROL VALVE WITHOUT AIR BRAKING - WITH SUSPENDED AXLE.....	0E.00.3
4-WAY HYDRAULIC CONTROL VALVE WITHOUT AIR BRAKING LOAD SENSING.....	0E.00.4
4-WAY HYDRAULIC CONTROL VALVE WITH AIR BRAKING.....	0E.00.5
4-WAY HYDRAULIC CONTROL VALVE WITH AIR BRAKING - WITH SUSPENDED AXLE.....	0E.00.6
4-WAY HYDRAULIC CONTROL VALVE WITH AIR BRAKING LOAD SENSING.....	0E.00.7
4-WAY HYDRAULIC CONTROL VALVE.....	0E.00.8
4-WAY HYDRAULIC CONTROL VALVE.....	0E.00.9
8-WAY HYDRAULIC CONTROL VALVE.....	0E.00.10
8-WAY HYDRAULIC CONTROL VALVE.....	0E.00.11
8-WAY HYDRAULIC CONTROL VALVE LOAD SENSING.....	0E.00.12
8-WAY HYDRAULIC CONTROL VALVE LOAD SENSING.....	0E.00.13
8-WAY HYDRAULIC CONTROL VALVE WITH SUSPENDED AXLE.....	0E.00.14
8-WAY HYDRAULIC CONTROL VALVE WITH SUSPENDED AXLE.....	0E.00.15
8-WAY HYDRAULIC CONTROL VALVE.....	0E.00.16
8-WAY HYDRAULIC CONTROL VALVE.....	0E.00.17
FLOW CONTROL FOR 4/8-WAY CONTROL VALVE.....	0E.00.18
FLOW CONTROL FOR 8-WAY CONTROL VALVE.....	0E.00.19
AUXILIARY HYDRAULIC DISTRIBUTOR.....	0E.00.20
AUXILIARY HYDRAULIC DISTRIBUTOR.....	0E.00.21
REAR FREE RETURN - NOT PRESSURIZED.....	0E.00.22
3 POINT HITCH - LIFTING ARMS cat. 3.....	0E.00.23
3-POINT LINKAGE WITH AUTOMATIC COUPLERS cat. 2/3.....	0E.00.24
3 POINT HITCH.....	0E.00.25
3-POINT HITCH - ADJUSTABLE RH RODS.....	0E.00.26
3-POINT HITCH - ADJUSTABLE RH RODS.....	0E.00.27
3-POINT HITCH - SIDE STABILIZERS.....	0E.00.28
3-POINT HITCH - SIDE STABILIZERS.....	0E.00.29
3-POINT HITCH - SIDE STABILIZERS - FOR PICK-UP-HITCH TYPES.....	0E.00.30
3-POINT HITCH - SIDE STABILIZERS.....	0E.00.31
3-POINT HITCH - SIDE STABILIZERS - FOR PICK-UP-HITCH TYPES.....	0E.00.32
RETAINER FOR COLLECTING TRAY sx/lh/li.....	0E.00.33
RETAINER FOR COLLECTING TRAY.....	0E.00.34
REAR TOWING HITCH CAT: "C" ITALY.....	0E.00.35
REAR TOWING HITCH CAT: "D2" ITALY.....	0E.00.36
REAR TOWING HITCH CAT: "D3" ITALY.....	0E.00.37
AUTOMATIC DRAWBAR COUPLING mm 30.8.....	0E.00.38
TOWING COUPLING, AUTOM. MM 37.....	0E.00.39
TOWING COUPLING AUTOM. MM 37 - DRAWBAR EYE MM 50.....	0E.00.40

CLICK HERE TO **DOWNLOAD** THE COMPLETE MANUAL

- Thank you very much for reading the preview of the manual.
- You can download the complete manual from: www.heydownloads.com by clicking the link below



- Please note: If there is no response to CLICKING the link, please download this PDF first and then click on it.

CLICK HERE TO **DOWNLOAD** THE COMPLETE MANUAL

Section: ACCESSORIES

4-WAY HYDRAULIC CONTROL VALVE WITH AIR BRAKING

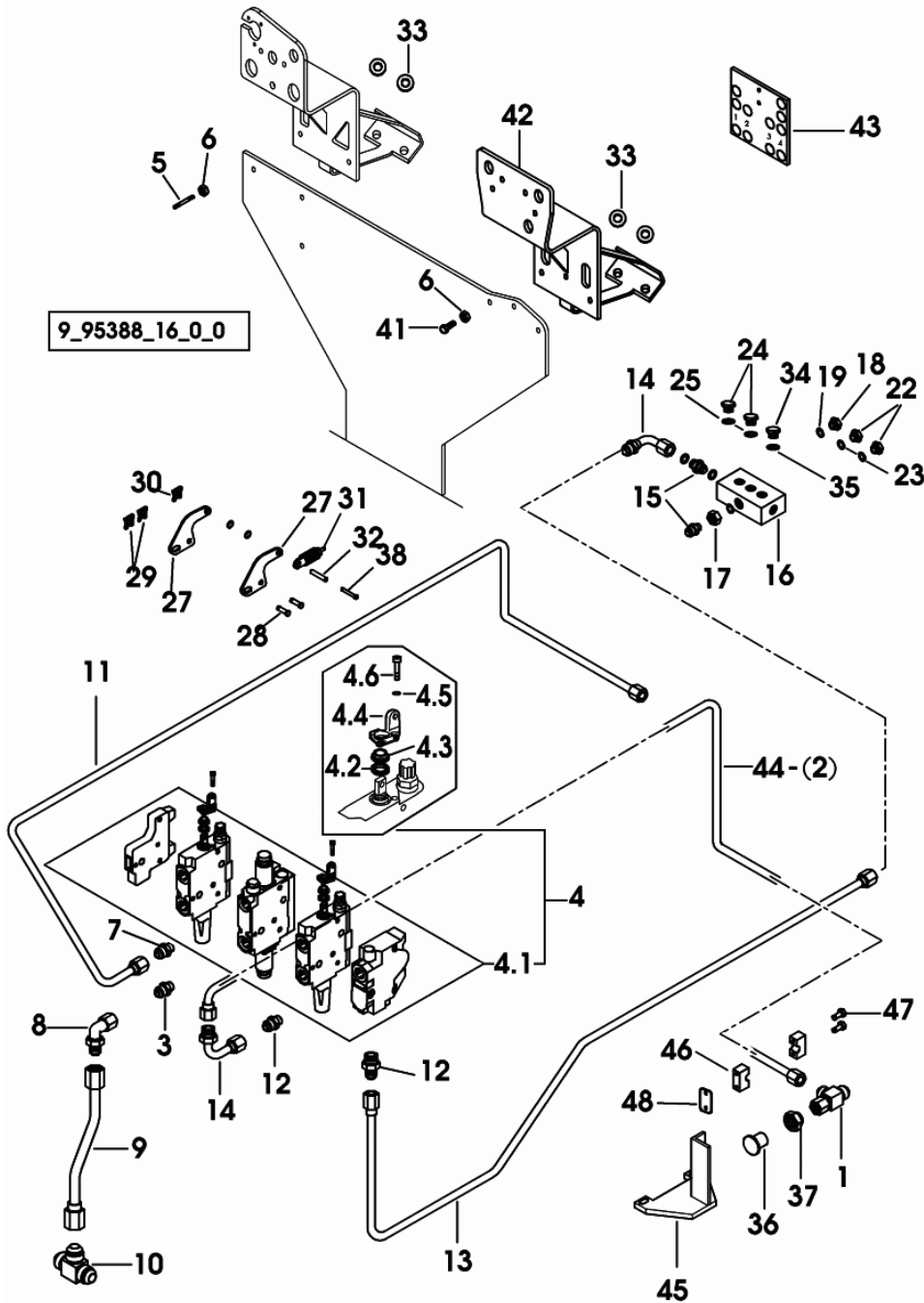


Fig.	Code	QTY	Name
35	01118760	1	gasket 26x31
36	01180566	1	cone
37	01127347	1	nut CL 18
38	2.1699.497.2/20	2	pin
41	01112333	3	screw m 8 x 25, d933
42	04438361.4	1	support
43	04438001	1	plate
44	04450729	1	piping
45	04451011.4	1	support
46	06238807	1	terminal Ø 22
47	01110539	2	screw m 6 x 50
48	06272960	1	small plate

8-WAY HYDRAULIC CONTROL VALVE LOAD SENSING

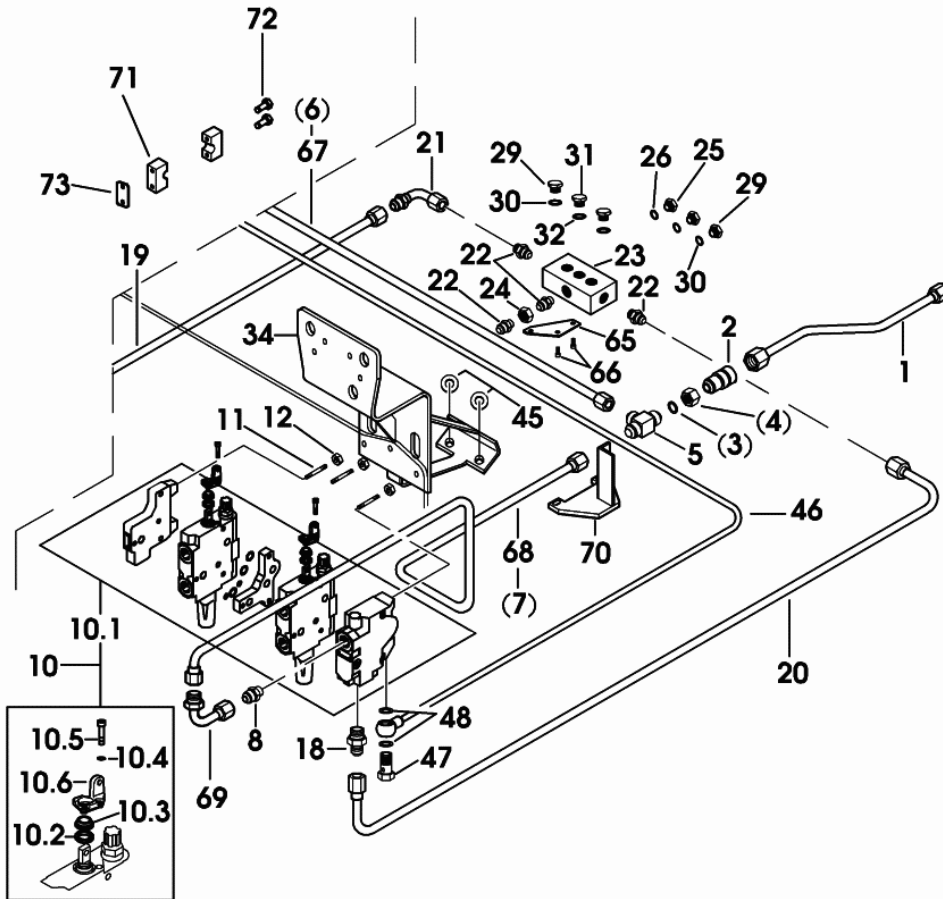
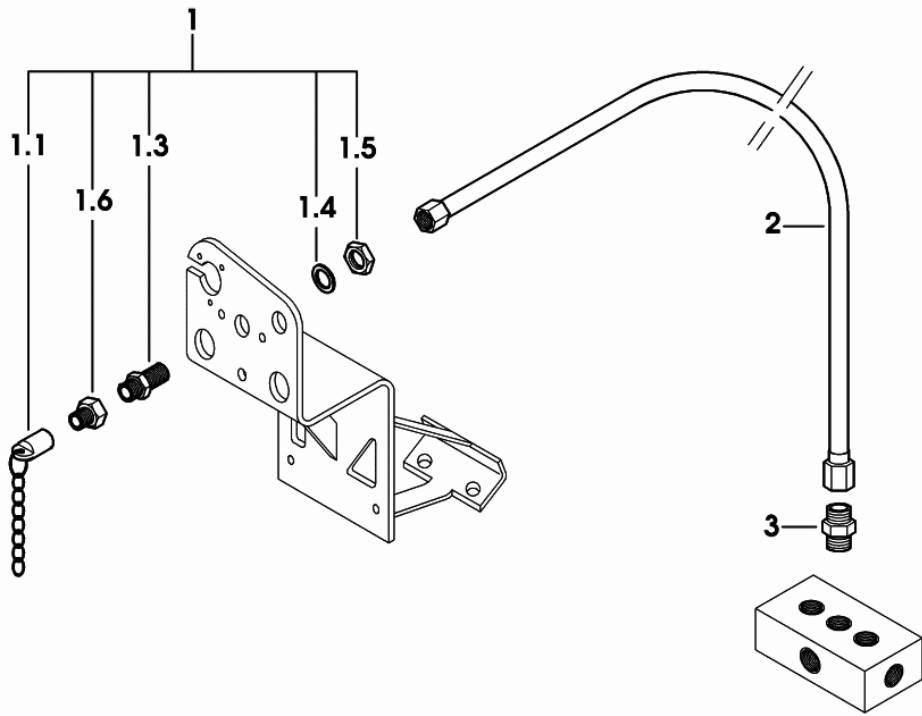


Fig.	Code	QTY	Name
1	04438695	1	tube
2	04451656.4	1	tongue
5	16026710	1	pipe fitting Ø 22, 22, 18
8	01177450	2	pipe fitting m 22 p.1.5x18
10	04450754.4/10	1	hydraulic control bl
10.1	04450751	1	hydraulic control bl
			COMPONENT PARTS SEE COMPONENTS LIST
			☞ 04450751
			☞ 0E.00.54
10.2	0.011.9918.0	2	spacer 18.6 x 25 x 4.3
10.3	0.011.9929.0	2	ring
10.4	01102797	4	washer 6, d128
10.5	04429754	4	screw m 6 p.1.0 x 16
10.6	0.010.8533.0/10	2	support
11	01113391	6	small column m 8 x 25
12	01112824	6	nut m 8, d934
18	04422764	3	pipe fitting m 22 p.1.5x22
19	04437457/10	1	pipng
20	04437458	1	pipng
21	04427232	2	pipe fitting
22	01177225	4	tongue m 26x1,5/22
23	04435666/20	1	casing
24	04437831	1	tongue
25	01118960	1	plug am14x1,5
26	01118688	1	ring 14x17
29	01118970	2	plug m 18 p.1.5
30	01118713	2	washer 18.5
31	01118979	1	plug m22x1,5 d7604
32	01118737	1	'o' ring 22 x 27
34	04438361.4	1	support
45	04418159	8	circlip
46	04437459	1	pipng
47	01119241	3	pipe union m 12 p.1.5
48	01213282	6	gasket
65	04450746	1	support
66	01103316	3	screw m 6 p.1.0 x 16
67	04450728	1	pipng
68	04450730	1	pipng
69	01144818	1	tongue
70	04451011.4	1	support
71	06238807	1	terminal Ø 22
72	01110539	1	screw m 6 x 50
73	06272960	1	small plate

REAR FREE RETURN - NOT PRESSURIZED

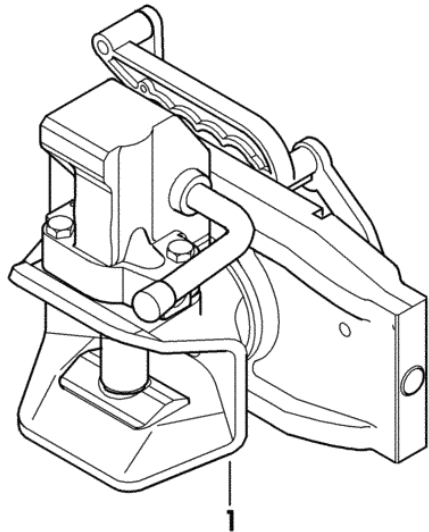
Fig.	Code	QTY	Name
1	04351795.4	1	pin
1.1	04345654	1	dust guard
1.3	04345652	1	pipe fitting
1.4	01107127	1	washer
1.5	01137633	1	nut m 22 x 1.5
1.6	04363181	1	union nut
2	04437705	1	tube
3	01179203	1	pipe fitting m 22 p.1.5x15



9_95388_01_0_0

AUTOMATIC DRAWBAR COUPLING mm 38

Fig.	Code	QTY	Name
1	04428417.4	1	tow hook COMPONENT PARTS SEE COMPONENTS LIST ☞ 04428417.4 ☞ 0E.00.70

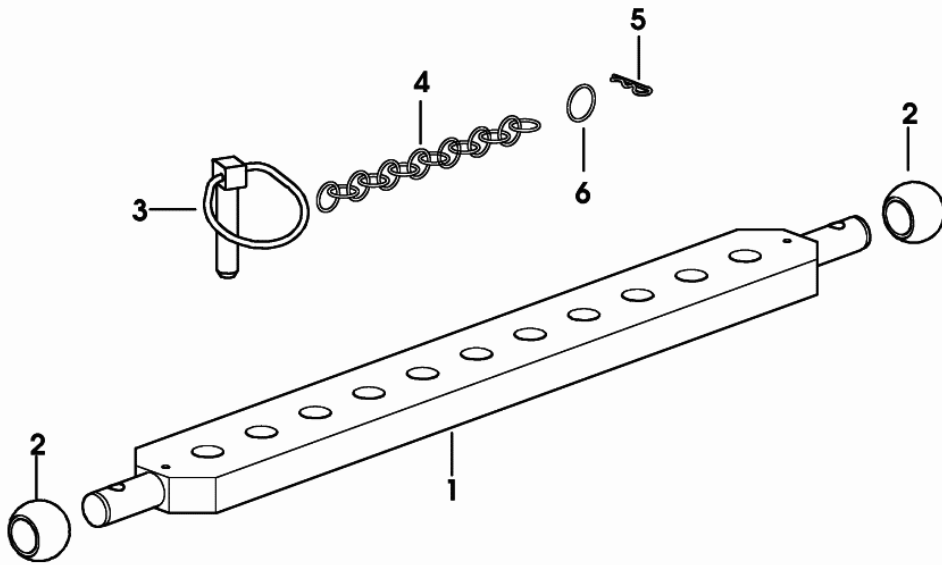


9_95031_66_0_0

Section: ACCESSORIES

TOWING BAR

Fig.	Code	QTY	Name
1	04309365/10	1	draw bar
2	04400550	2	ball
3	04315865	2	pin
4	01402736	2	chain mm 175
5	01132654	2	split pin
6	04305741	2	ring



9_95058_20_0_0

Section: ACCESSORIES
FRONT BALLAST 400 Kg

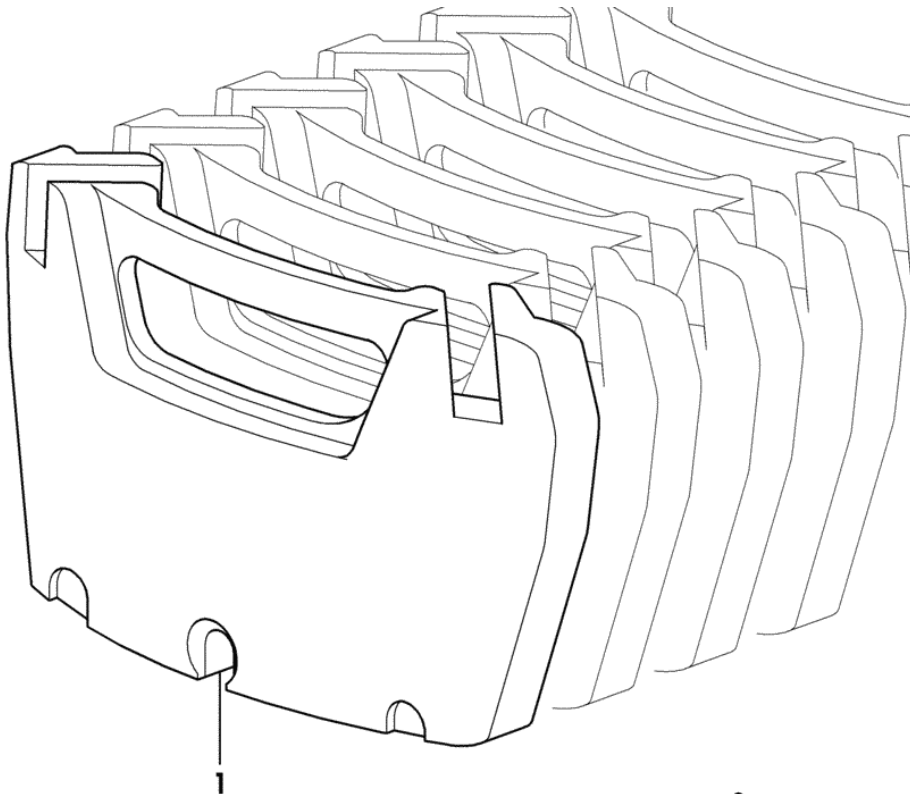
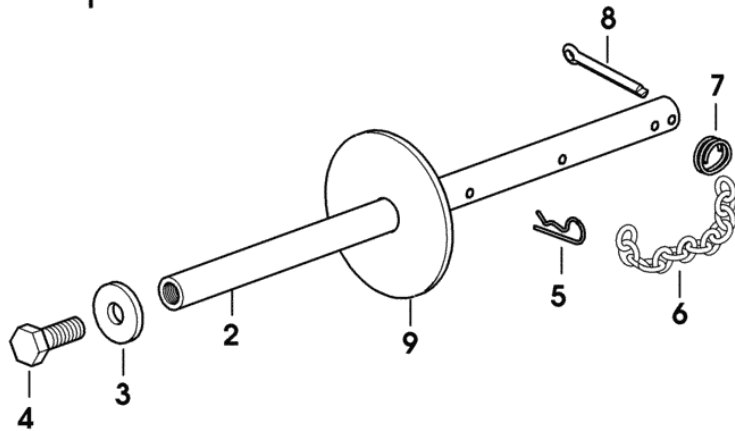
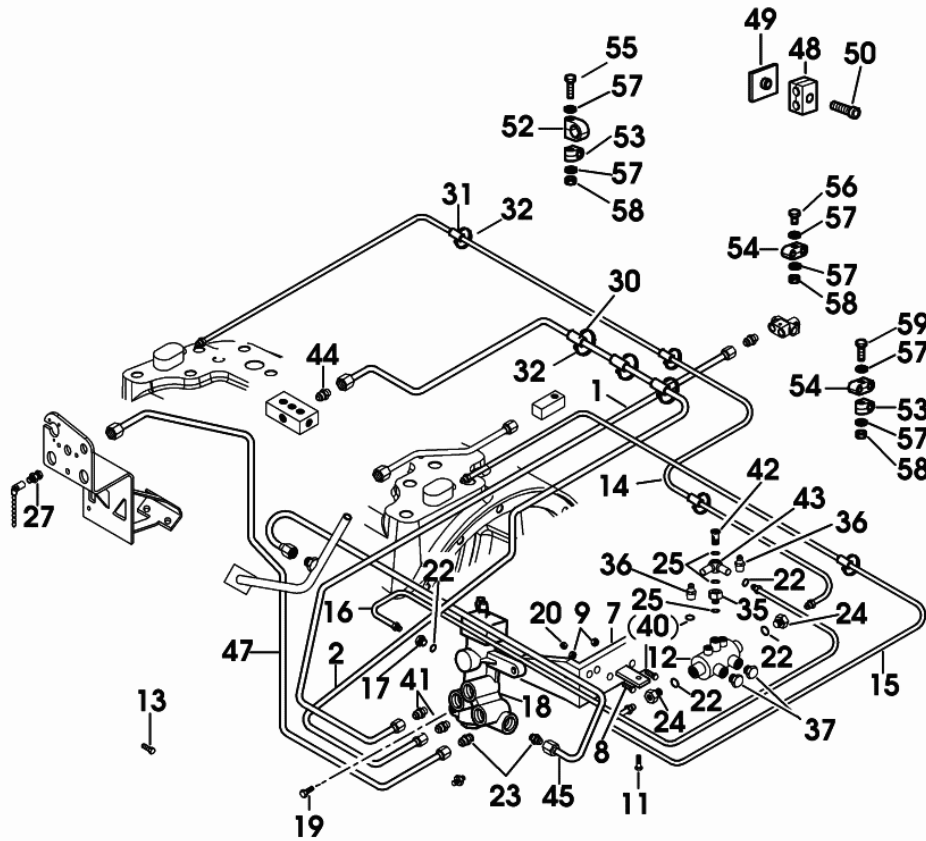


Fig.	Code	QTY	Name
1	04413831/20	10	ballast Kg 40
2	04411027	1	bracket
3	04411029	1	washer
4	01124845	1	screw m16x50 d933-10
5	01102874	1	roll pin
6	01401340	1	chain
7	04322508	2	ring
8	01132645	1	split pin 6.3x3.6
9	01143779	4	washer



9_95052_44_0_0

HYDRAULIC BREAKING FOR TRAILER - EXPORT F

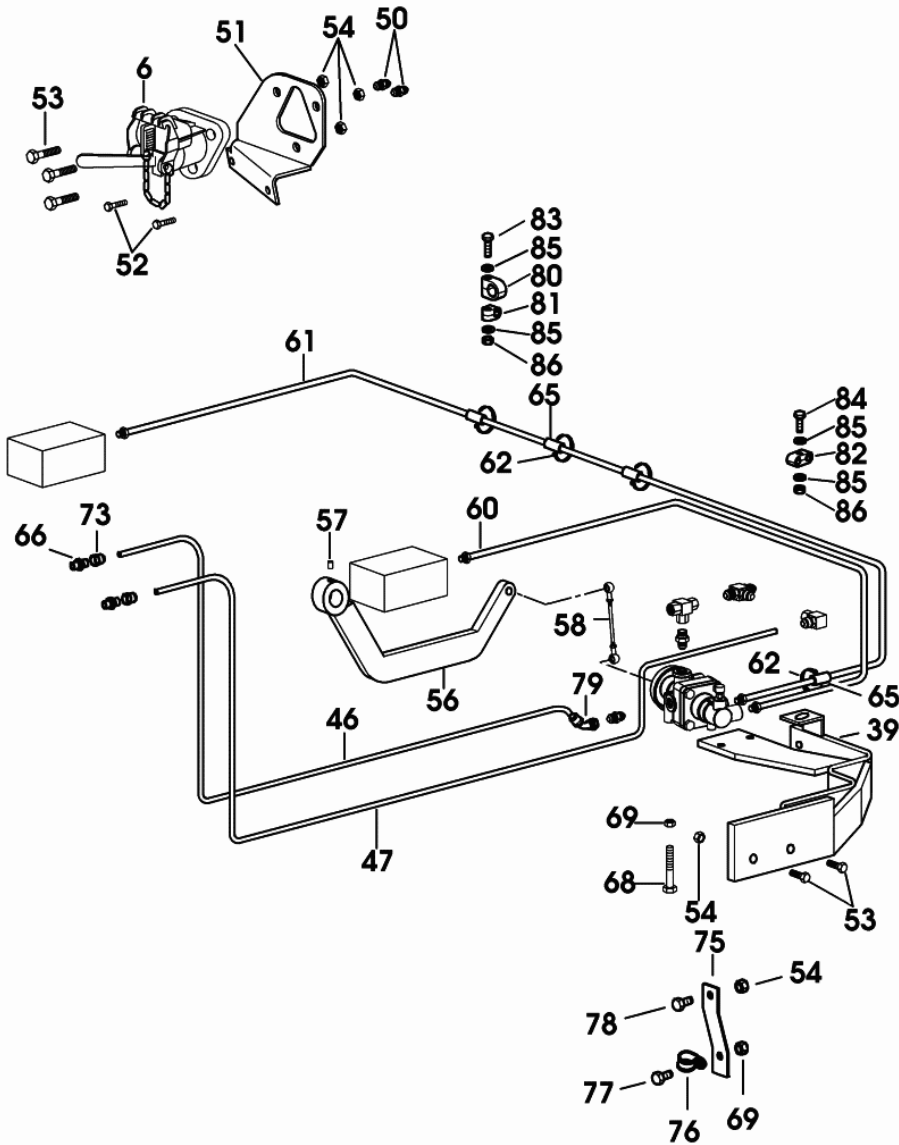


9_95389_00_0_A

Fig.	Code	QTY	Name
1	04450323	1	pipng
2	04450324	1	pipng
7	04432463.4	1	consolle
8	01112418	2	screw m 10 x 25, d938
9	01102659	2	nut m 10, d934
11	01112322	2	screw m 8 p.1.25 x 20
12	04422528	1	valve
13	01112356	2	screw m 8 x 40
14	04436629	1	tube sx/lh/li
15	04436630	1	tube dx/rh/re
16	04437838	1	tube
17	04419604	1	power control
18	04452780	1	valve
			COMPONENT PARTS SEE
			COMPONENTS LIST
			☞ 04452780
			☞ 0E.00.83
19	01103734	2	screw m8x55 d931-10
20	01112824	2	nut m 8, d934
22	01118681	4	'o' ring a 12x18 d7603
23	04428400	2	pipe fitting
24	03420517	2	pipe union m 12 p.1/ m 14 p.1.5
25	01118693	3	gasket 14x20
27	04307317	1	coupling
30	02382224	3	sleeve 12
31	01216315	4	rubber plug
32	01172065	11	clamp 4.6 x 146
35	03420517	1	pipe union m 12 p.1/ m 14 p.1.5
36	04434833	2	valve
37	01137743	2	plug m 14 p.1.5
41	04419602	2	pipe fitting
42	03497999	1	pipe union m 12 p.1/ m 14 p.1.5
43	03410829	1	pipe fitting
44	01177450	1	pipe fitting m 22 p.1.5x18
45	04451850	1	pipng
47	04451074	1	pipng
48	01180439	4	terminal
49	01177274	2	small plate
50	01110522	2	screw
52	01141607	1	clamp 12
53	01141501	2	clamp Ø 6
54	01141550	2	clamp Ø 6/6
55	01127034	1	screw m 6 x 50, d933
56	01127031	1	screw m 6 x 30, d933

Section: ACCESSORIES
2-WAY AIR BRAKING SYSTEM ITALY

Fig.	Code	QTY	Name
6	04426782	1	connection
39	04437663.4/10	1	support
46	04452328	1	piping Ø 12 / L = mm 1080
47	04452329	1	piping Ø 12 / L = mm 1070
50	04435116	2	tongue
51	04450274/10	1	support
52	01112307	3	screw m 8 p.1.25 x 15, d933
53	01112451	5	screw m 10 p.1.5 x 45
54	01102659	6	nut m 10, d934
56	04427793	1	lever
57	01157345	1	pin
58	04431587	1	rod
60	04436618	1	tube dx/rh/re
61	04436617	1	tube sx/lh/li
62	01172065	8	clamp 4.6 x 146
65	01216315	4	rubber plug
66	01143570	3	pipe fitting m 22 x 1.5
68	01112364	2	screw m 8 x 55, d933
69	01112824	3	nut m 8, d934
73	04438664	2	pipe fitting
75	04450699	1	support
76	01174437	1	terminal
77	01112333	1	screw m 8 x 25, d933
78	01112418	1	screw m 10 x 25, d933
79	04438664	1	pipe fitting
80	01141607	1	clamp 12
81	01141501	1	clamp Ø 6
82	01141550	1	clamp Ø 6/6
83	01127034	1	screw m 6 x 50, d933
84	01127031	1	screw m 6 x 30, d933
85	01119810	4	washer 6.4
86	01114357	2	nut m 6, d985



9_A3589_16_0_B

Section: BODY WORK

HOOD

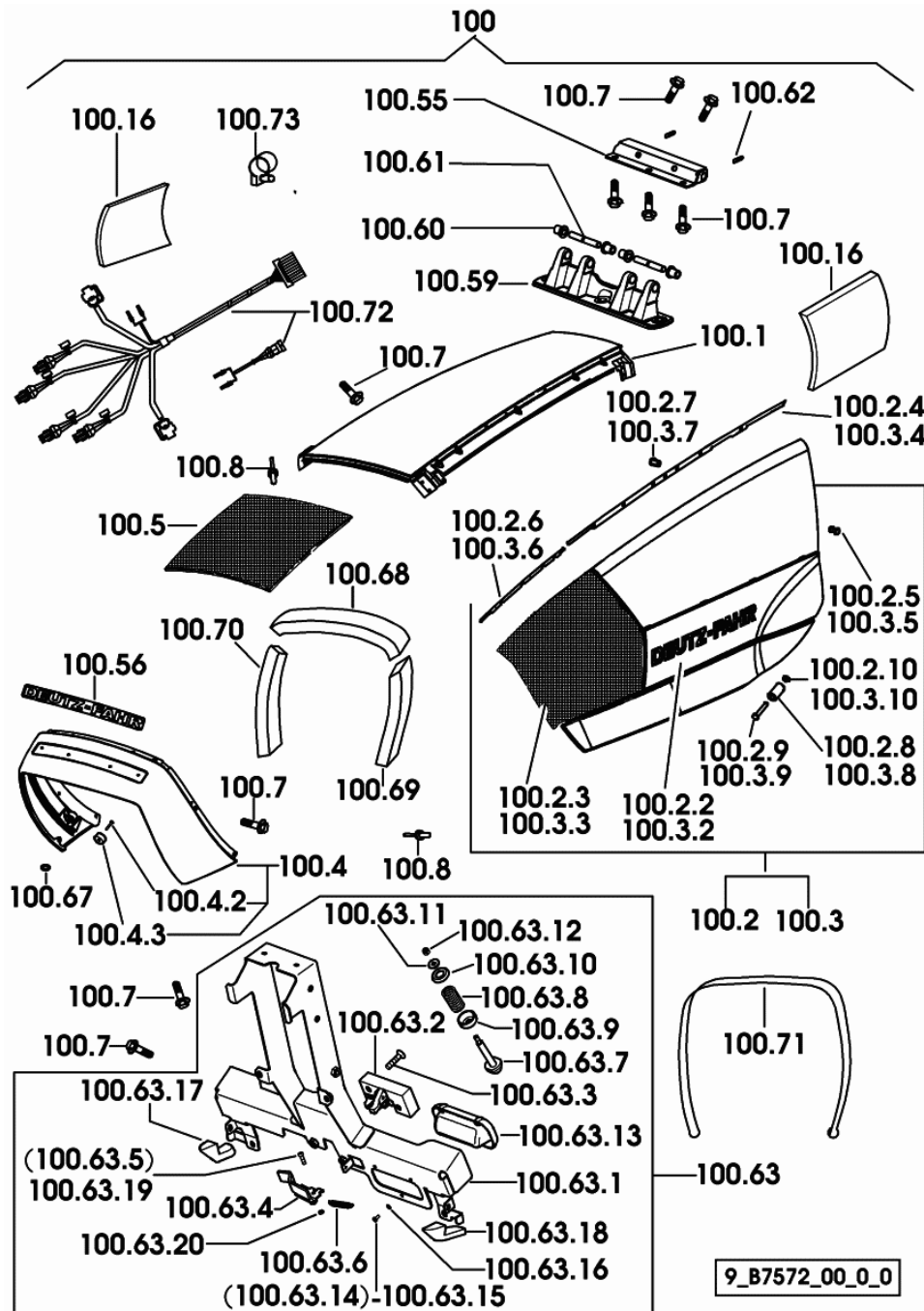


Fig.	Code	QTY	Name
100	0.012.9729.4/70	1	bonnet
100.1	0.012.7233.4/30	1	bonnet
			(...) <- X Agrotron 130
			(...) <- X Agrotron 140
			(...) <- X Agrotron 155
			(...) <- X Agrotron 165
100.1	0.012.7233.4/40	1	upper hood
			-> (...) X Agrotron 130
			-> (...) X Agrotron 140
			-> (...) X Agrotron 155
			-> (...) X Agrotron 165
100.2	0.012.8383.4/70	1	bonnet sx/lh/li
100.2.2	0.012.7259.0/20	1	grille sx/lh/li
			(...) <- X Agrotron 130
			(...) <- X Agrotron 140
			(...) <- X Agrotron 155
			(...) <- X Agrotron 165
100.2.2	0.012.7259.3	1	screen sx/lh/li
			-> (...) X Agrotron 130
			-> (...) X Agrotron 140
			-> (...) X Agrotron 155
			-> (...) X Agrotron 165
100.2.3	0.012.7253.0/20	1	grille sx/lh/li
			(...) <- X Agrotron 130
			(...) <- X Agrotron 140
			(...) <- X Agrotron 155
			(...) <- X Agrotron 165
100.2.3	0.012.7253.3	1	screen sx/lh/li
			-> (...) X Agrotron 130
			-> (...) X Agrotron 140
			-> (...) X Agrotron 155
			-> (...) X Agrotron 165
100.2.4	0.012.8379.0/20	1	gasket sx/lh/li
100.2.5	2.1856.004.0	17	rivet 4
100.2.6	0.012.9163.0/10	1	gasket sx/lh/li
100.2.7	2.1149.004.2	6	insert m 6
100.2.8	0.013.2570.0	1	sleeve
100.2.9	0.013.2571.0	1	smau pin
100.2.10	2.1430.006.2	1	circlip 5
100.3	0.012.8388.4/70	1	bonnet dx/rh/re
100.3.2	0.012.7258.0/20	1	grille dx/rh/re
			(...) <- X Agrotron 130
			(...) <- X Agrotron 140
			(...) <- X Agrotron 155

Section: BODY WORK
DASHBOARD

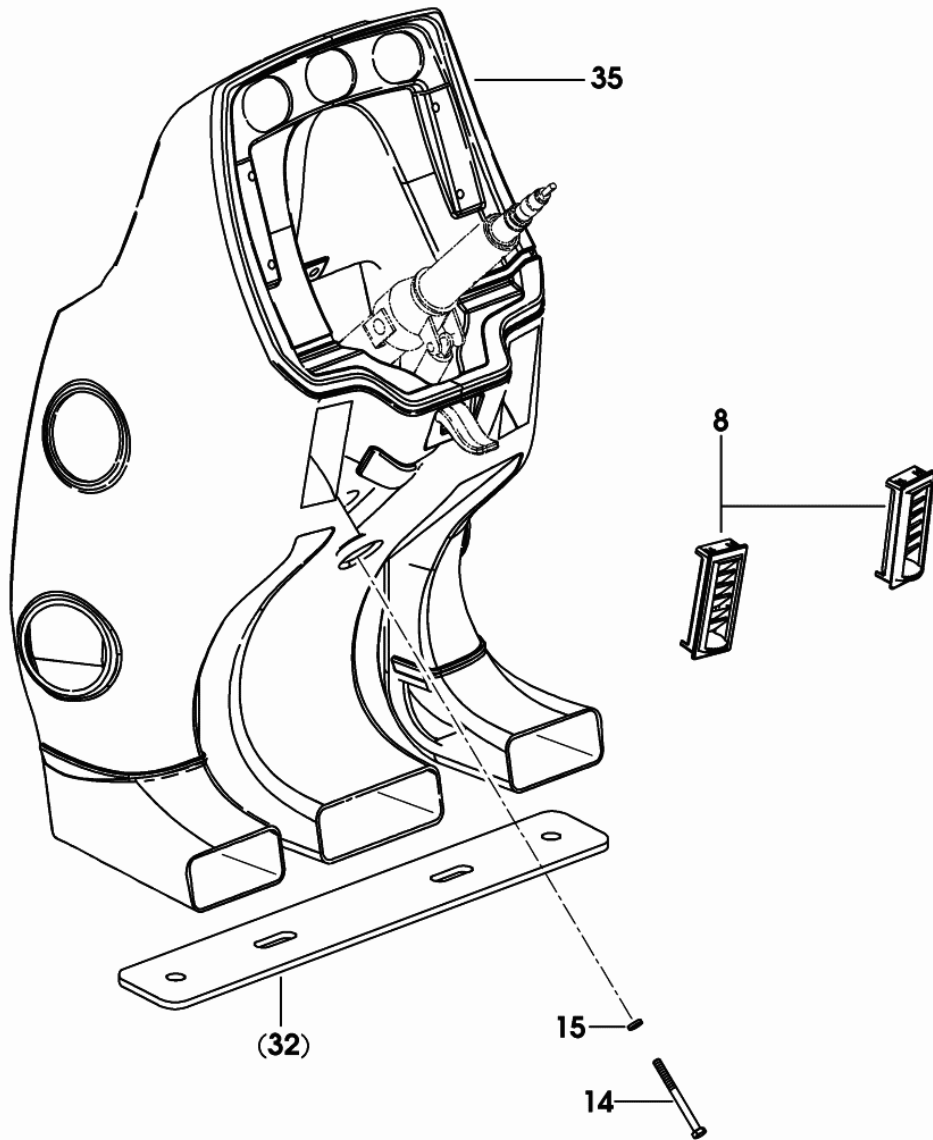


Fig.	Code	QTY	Name
8	04429734	2	blower
14	01111200	1	screw m8x90 d931
15	01136363	4	washer 8.4
35	0.012.4472.3	1	dashboard

9_95071_42_0_B

Section: BODY WORK
COOLING SYSTEM

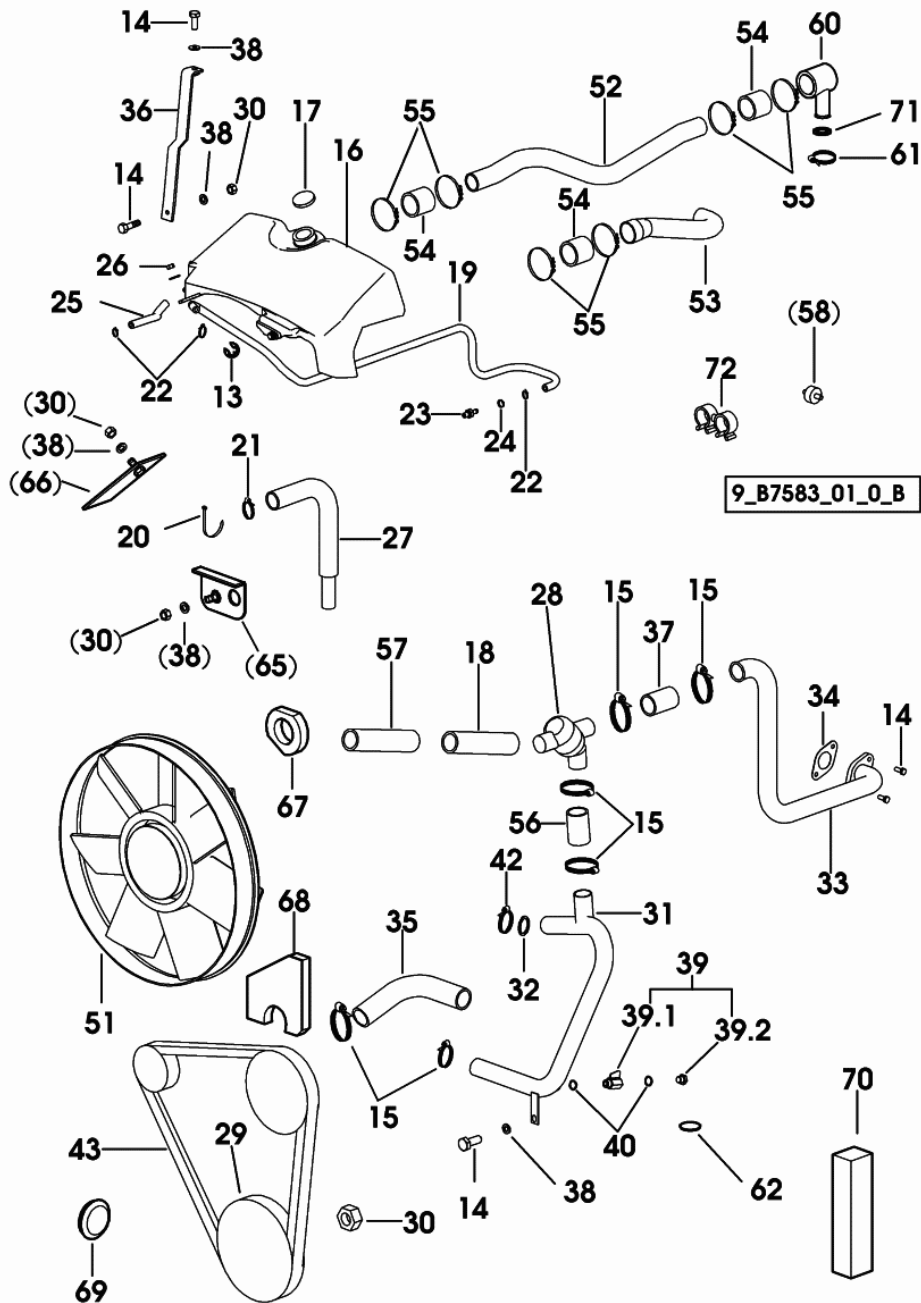
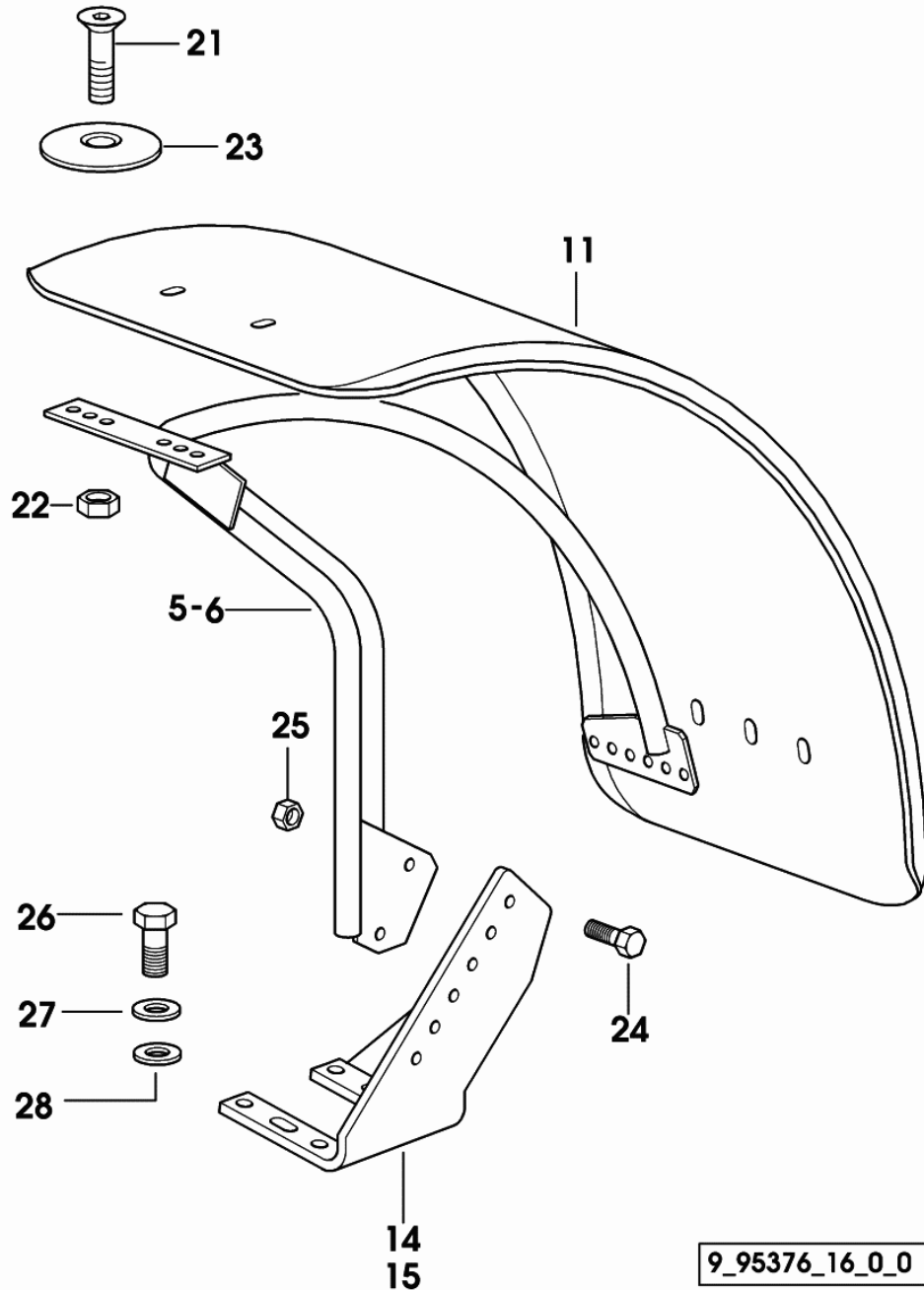


Fig.	Code	QTY	Name
			-> 1578 X Agrotron 130
			-> 1420 X Agrotron 140
			-> 1267 X Agrotron 155
			-> 6388 X Agrotron 165
42	01173971	1	hose clip Ø 40/60
43	01154311	1	belt AV 13x1600 mm
51	04450918	1	rotor blade
52	04452117/20	1	pipng
53	04452118.3/30	1	pipng
54	04434799	3	rubber sleeve 80x87x90
55	04450941	6	hose clip 85/91
56	04413657	1	sleeve 38x46.4x90
57	04436202	1	sleeve 38x46.4x195
60	04209073	1	sleeve
61	01174133	1	hose clip
62	2.3199.006.0	1	plug 45
67	04424051	1	ring
68	04452480	1	gasket
69	2.3199.006.0	1	plug 45
70	04452479	2	gasket mm 35x30x145
71	01180295	1	gasket
72	04415745	16	hose holder

Section: BODY WORK
FRONT MUDGUARDS mm 470

Fig.	Code	QTY	Name
5	04416239	1	support dx/rh/re
6	04416240	1	support sx/lh/li
11	04415575	2	bumpers mm 470
14	04416249	1	lining dx/rh/re
15	04416250	1	lining sx/lh/li
21	2.0342.308.3	8	screw m 8 p.1.25 x 30
22	2.1011.105.3	8	nut
23	2.1399.016.0	8	washer
24	01124837	4	screw m12x50 d933
25	01125801	4	nut m12 d934-10
26	01112679	8	screw m 16 x 35
27	01174738	8	flat washer 12.5x26x6
28	01139580	8	washer 17

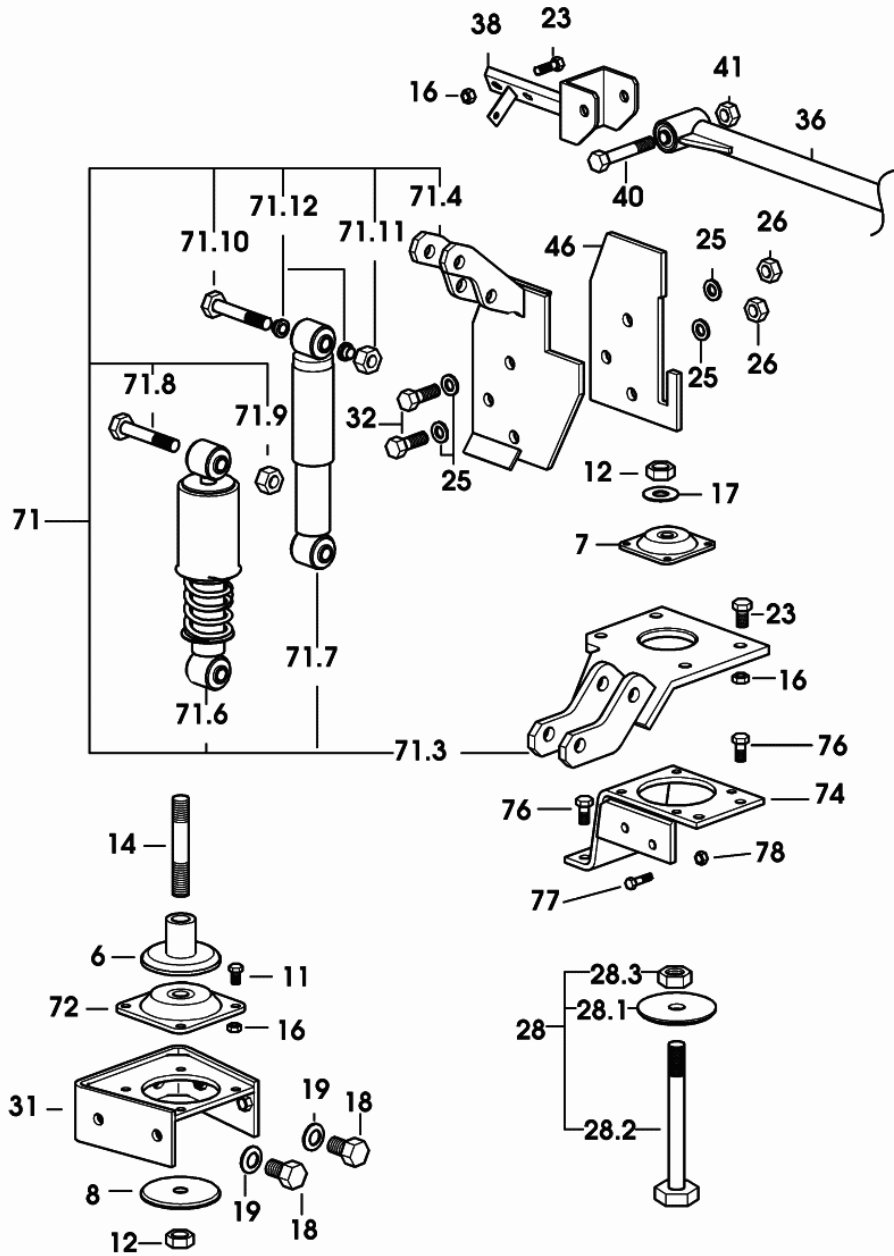


9_95376_16_0_0

Section: BODY WORK

MECHANICAL CAB SUSPENSION

Fig.	Code	QTY	Name
6	04411011	2	screw
7	04411234	2	silent-block
8	04450233	2	small disc
11	01112418	8	screw m 10 x 25, d933
12	2.1121.0111.2	4	nut m 16
14	04438661	2	screw m 16x130
16	01102659	10	nut m 10, d934
17	01139580	2	washer 17
18	01114065	4	screw m 20x50
19	01167055	4	washer 20.5x40
23	01112429	10	screw m 10 x 30, d933
25	01174739	12	washer
26	01136460	6	nut m 14
28	04429851.4	2	plate
28.1	04387701	1	plate
28.2	04428310	1	screw m 16x170
28.3	01112885	1	nut m 16
31	04427268	1	consolle dx/rh/re
32	01112636	6	screw m 14 x 50
36	04426843.4	1	stabiliser
38	04427785	1	joint
40	01111545	1	screw m12x90 d931
41	01136457	2	nut vm12 d980
46	04428789/10	2	plate
71	04436605.4/20	1	shoch.absorber dx/rh/re
71.3	04450673/10	1	consolle dx/rh/re
71.4	04426750/20	1	contact dx/rh/re
71.6	04426628	1	spring
71.7	0.011.2068.4	1	shoch.absorber
71.8	01111731	2	nut m 14x75
71.9	01136460	2	nut m 14
71.10	01111527	2	screw m12x75 d931
71.11	01136457	2	nut vm12 d980
71.12	04426743	4	bushing
72	04429880	2	rubber mount
74	04451247.3/10	1	bracket dx/rh/re
76	01112515	6	screw m 12 x 25
77	01112439	4	screw m 10 x 35, d933
78	01136453	4	nut m 10



9_A3676_01_0_A

Section: BODY WORK
REAR MUDGUARDS - WIDE

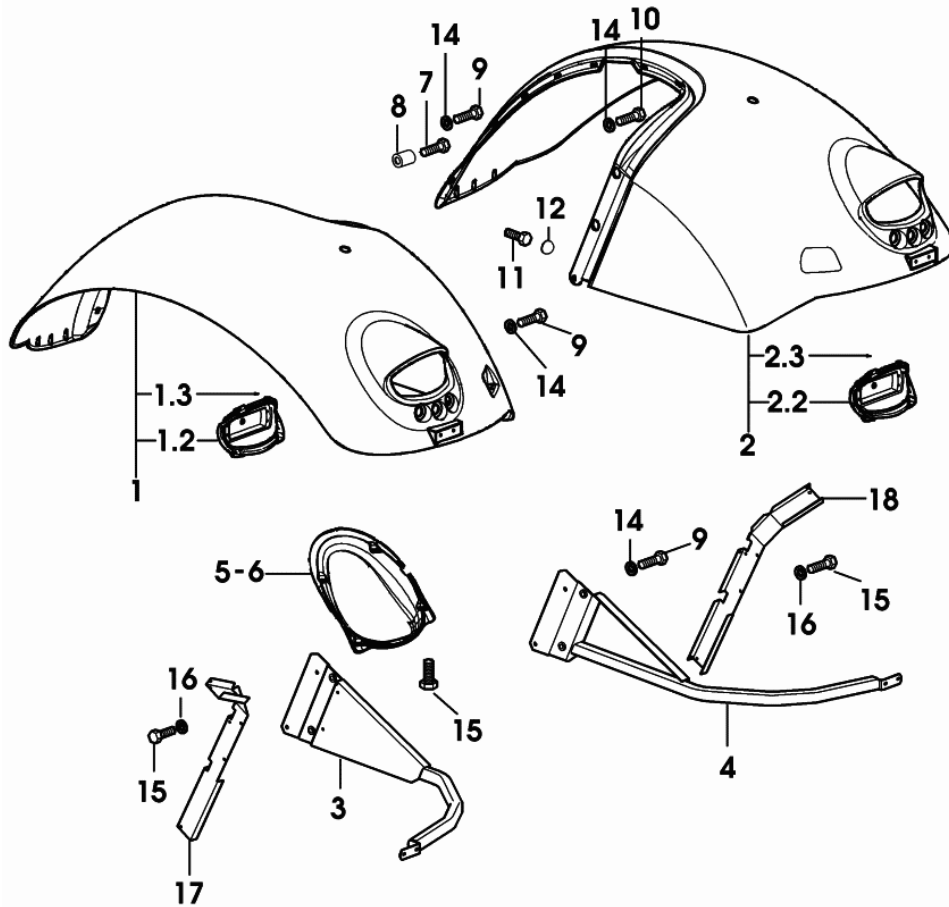


Fig.	Code	QTY	Name
1	0.012.2028.4/10	1	fender sx/lh/li
1.2	0.012.0203.0	1	support
1.3	2.0350.455.3	4	screw m 4.2
2	0.012.2029.4/10	1	fender dx/rh/re
2.2	0.012.0204.0	1	support
2.3	2.0350.455.3	4	screw m 4.2
3	0.012.1816.3	1	support sx/lh/li
4	0.012.1880.3	1	support dx/rh/re
5	0.012.0201.0	1	guard sx/lh/li
6	0.012.0202.0	1	guard dx/rh/re
7	2.0112.215.2	2	screw m 8 p.1.25 x 40
8	04415539	2	bushing
9	2.0112.207.2	16	screw m 8 p 1.25 x 20
10	2.0112.211.2	4	screw m 8 p.1.25 x 30
11	04428727	2	screw
12	04419538	2	guard
14	2.1310.004.2	20	flat washer 8.5
15	2.0112.005.2	12	screw m 6 p.1 x 16
16	2.1310.002.2	4	washer 6.6, d125
17	0.012.1891.2	1	guide sx/lh/li
18	0.012.1900.2	1	guide dx/rh/re

9_95076_20_0_0

SPEED LABEL - 50 KM/H - REFLEX

Fig.	Code	QTY	Name
1	04418917	1	plate 50 Km/h

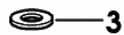
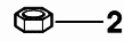
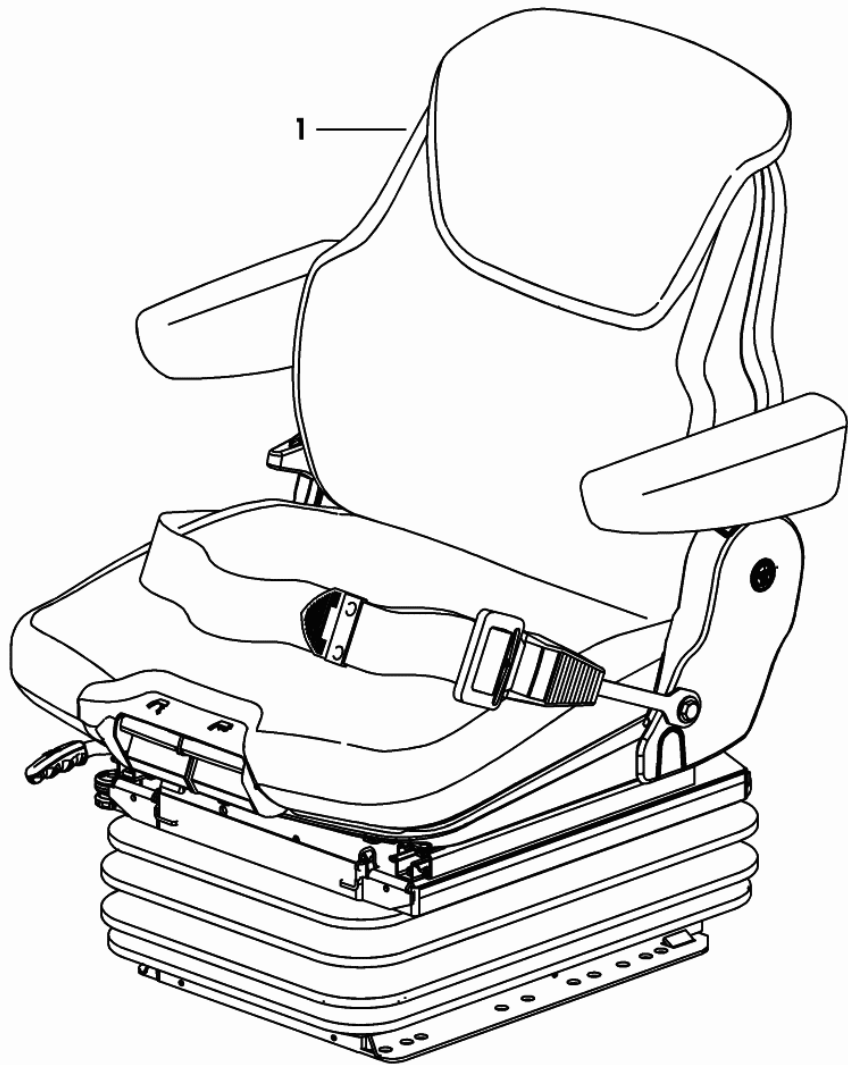


9_95374_33_0_0

Section: BODY WORK

DRIVER'S SEAT - AEROMAT MSG 95A/721

Fig.	Code	QTY	Name
1	0.013.9596.4	1	seat MSG95A/721 ☞ 0.013.9596.4 ☞ 0.013.9596.4
2	01112824	4	nut m 8, d934
3	01138374	4	washer 8,4x21x4

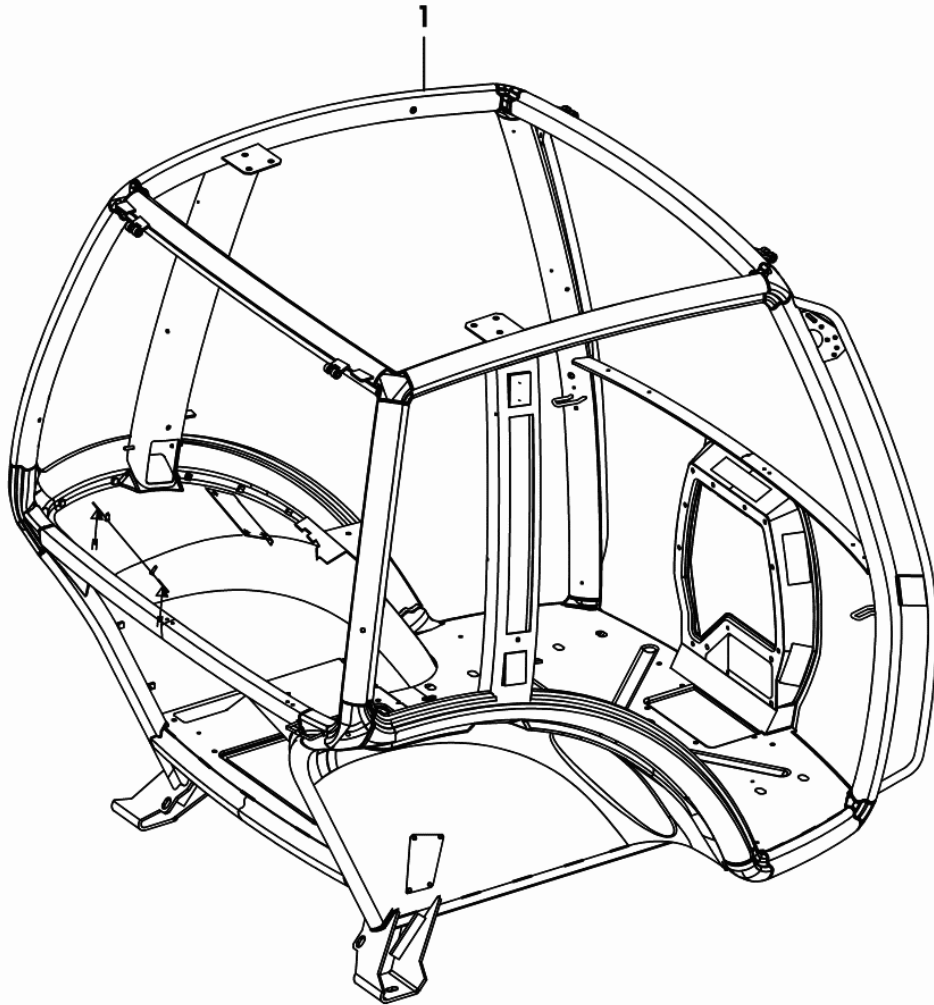


9_95375_02_0_0

Section: CAB

CAB

Fig.	Code	QTY	Name
1	0.012.9990.4/40	1	cab



9_94671_00_0_0

Section: CAB
CAB DOOR sx/lh/li

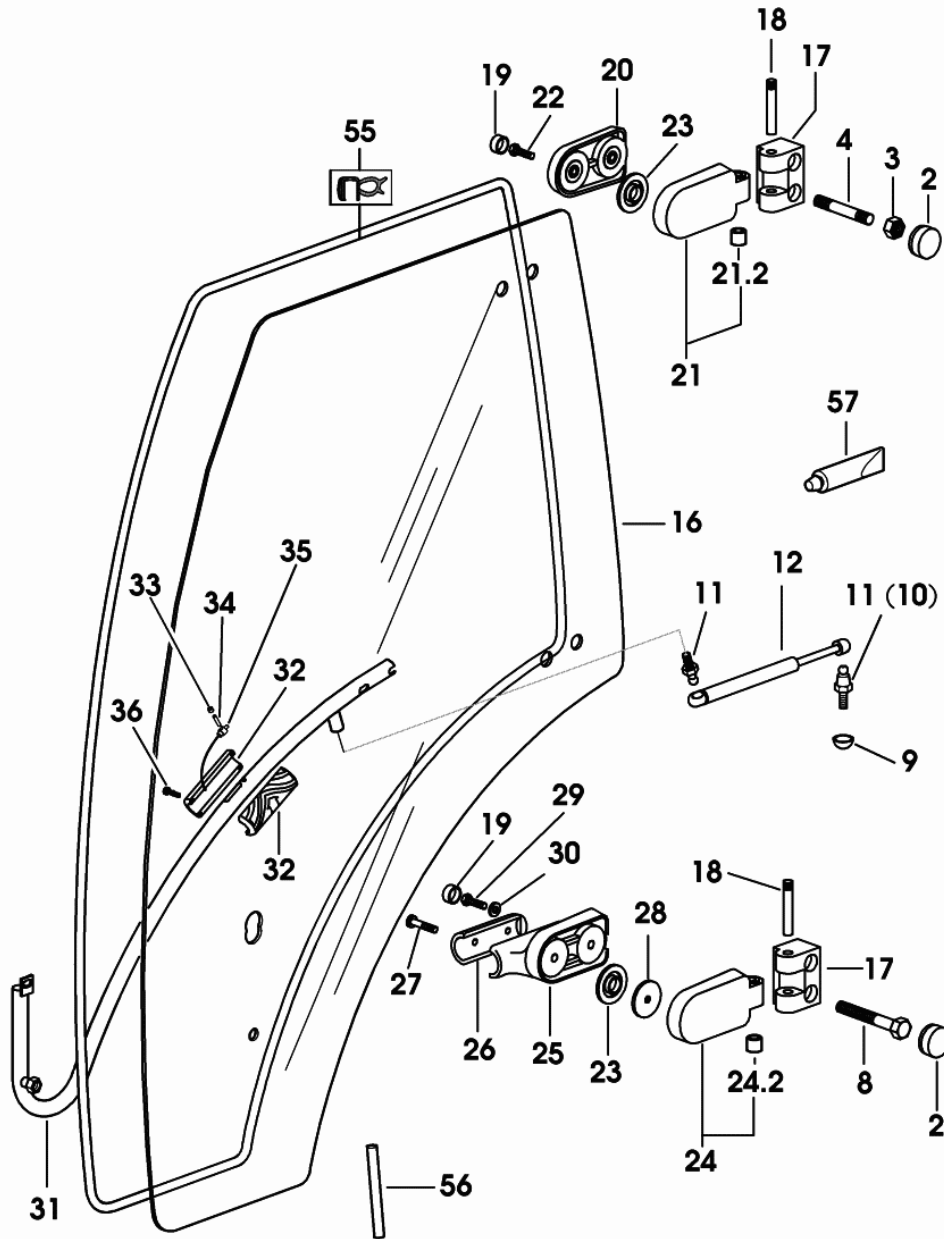


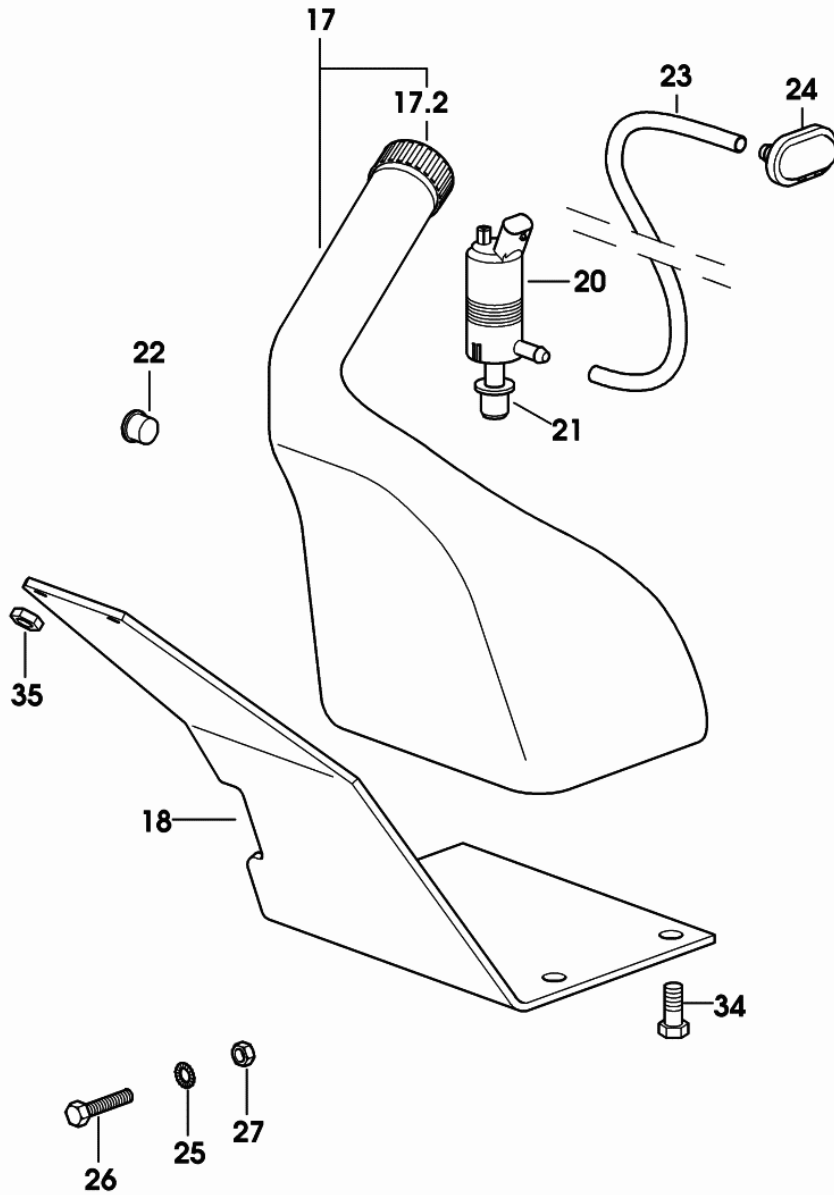
Fig.	Code	QTY	Name
2	04426916	4	cap
3	01112824	2	nut m 8, d934
4	01125606	2	stud bolt m 8 p.1.25
8	01144893	2	screw
9	01174042	1	cap
11	04399070	2	ball joint
12	04429617	1	shoch.absorber
16	04418951	1	glass sx/lh/li
17	04416522	2	hinge
18	04412819	2	pin
19	04426916	4	cap
20	04415415	1	cap-washer
21	04416228.4/10	1	hinge sx/lh/li
21.2	04414624	2	bushing
22	01112333	2	screw m 8 x 25, d933
23	04415424	8	disc
24	04424753.4/10	1	hinge sx/lh/li
24.2	04414624	2	bushing
25	04416244	1	plate sx/lh/li
26	04416232	1	stop
27	04419372	2	screw m 8 x 40
28	04416225	2	washer
29	01112341	2	screw m 8 x 30, d933
30	04314757	2	washer
31	0.013.0764.4/10	1	handle sx/lh/li
32	04416216	2	grip
33	04416218	2	spacer
34	01144894	1	pin 5 x 35
35	04429926	1	crate
36	04413570	4	screw
55	04419141	0	gasket
56	01388794	0	parting 9x4,5
57	01016121	1	sealing compound

9_95071_03_0_A

Section: CAB

WATER TANK EXPORT U.S.A.

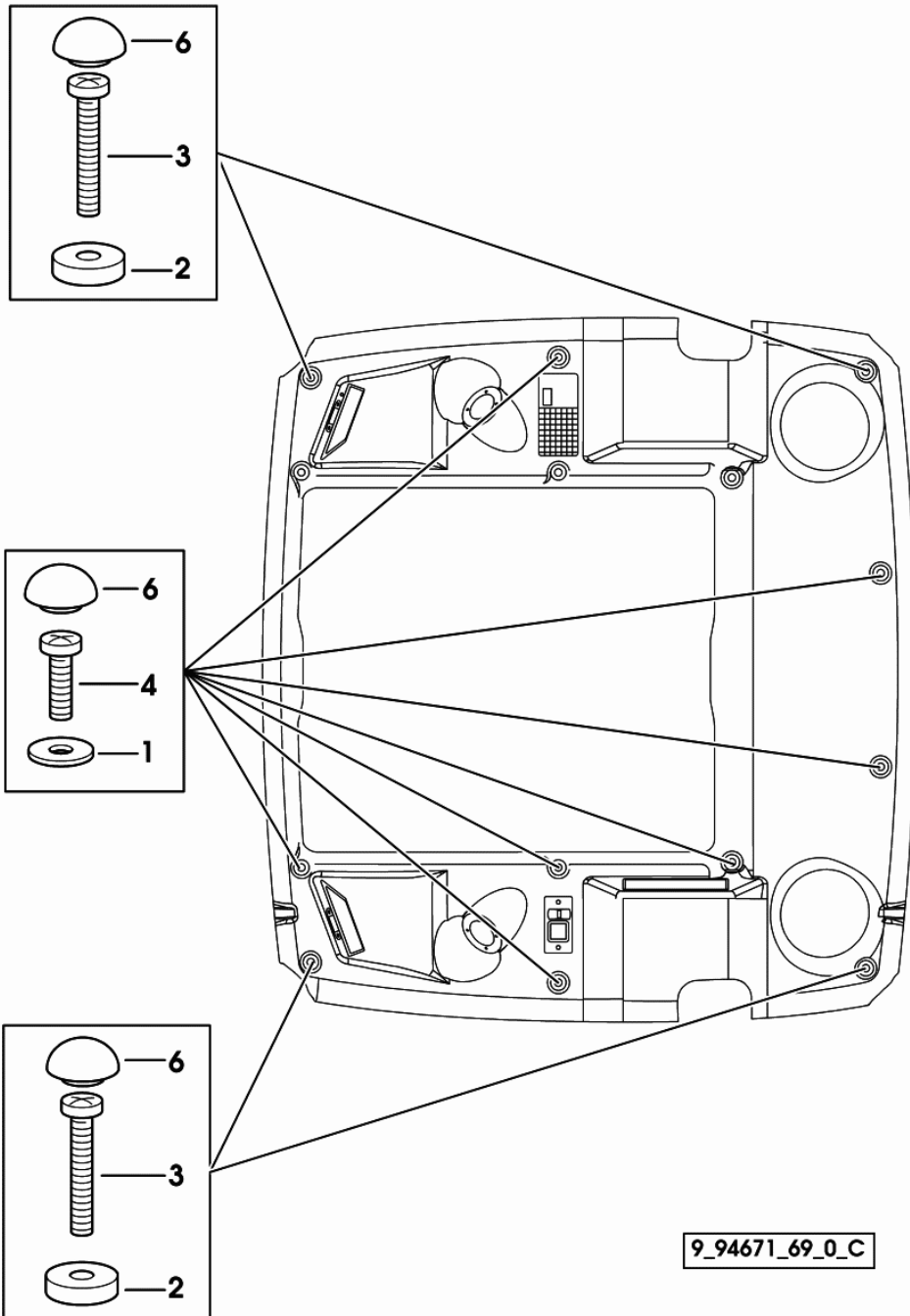
Fig.	Code	QTY	Name
17	04414585.4	1	tank
17.2	04414770	1	plug
18	04413240	1	tank support
20	04414105	1	electropump
21	04414582	2	cap
22	01167308	1	plug 7.2x5.2x9
23	01396853	0	flexible hose
24	01261734	1	nozzle
25	01124654	5	washer 6,4 d433
26	01112264	5	screw m 6 x 20, d933
27	01112813	3	nut m 6
34	01144691	3	screw m 8 x 12
35	01112824	2	nut m 8, d934



9_A3571_30_0_C

Section: CAB
INTERIOR TRIM

Fig.	Code	QTY	Name
1	01119810	20	washer 6.4
2	04413808	6	washer 6.5x20x5
3	04428726	6	screw
4	04428727	11	screw
6	04419538	24	guard



Section: CAB

CONTROL CONSOLE LEFT

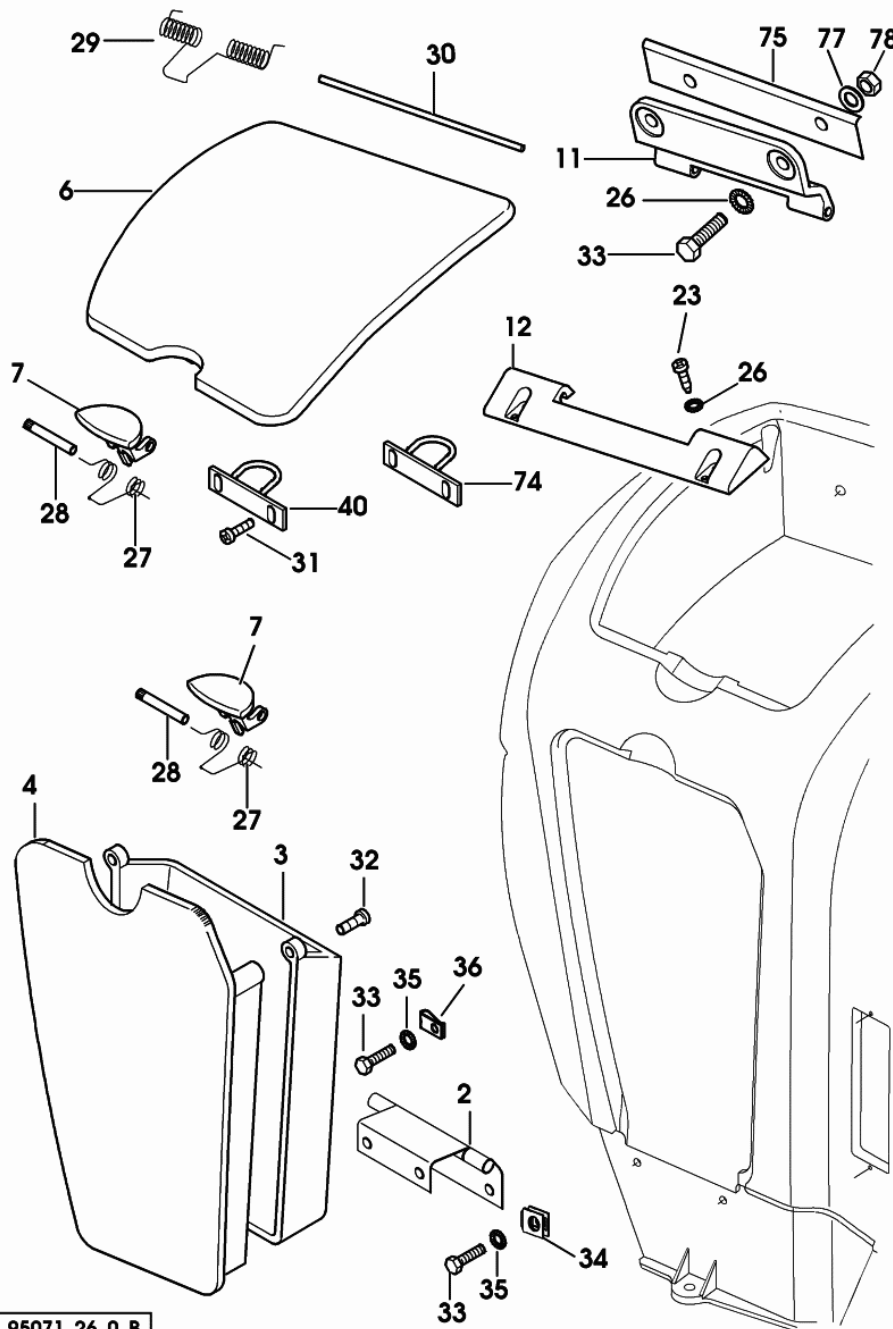
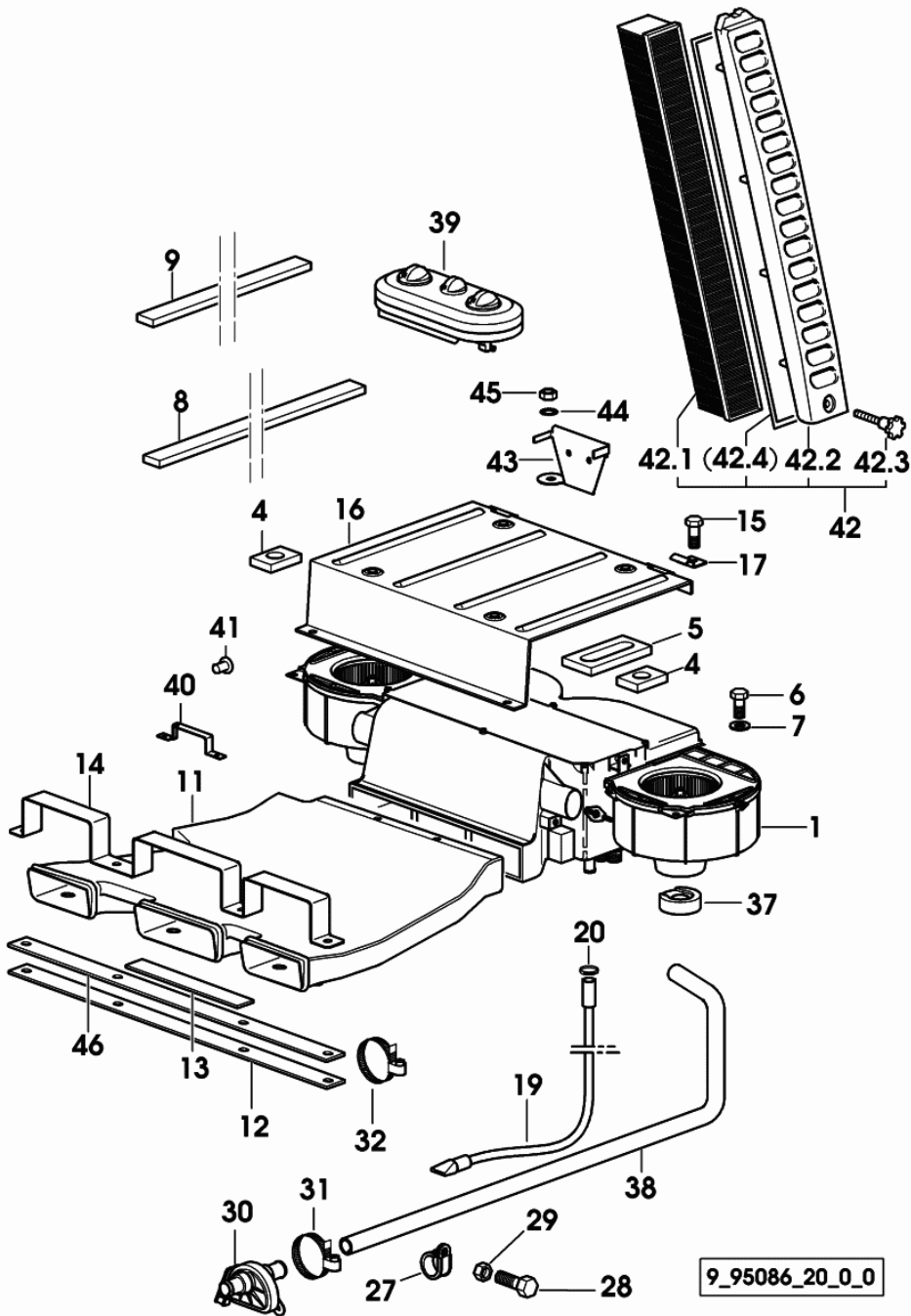


Fig.	Code	QTY	Name
2	0.010.9992.2	1	hinge
3	04429198	1	glove pocket
4	04429199	1	cover
6	04429286	1	cover
7	0.010.9955.0	2	handle
11	0.010.9987.0	1	hinge
12	0.010.9988.0/10	1	hinge
23	04419646	4	self tapping screw
26	01119806	2	washer 4,3x12x1 d9021
27	2.4099.120.3/10	2	spring
28	2.1699.510.2	2	pin
29	2.4099.135.3	1	spring
30	2.1659.520.3	1	pin
31	04412976	4	screw 4.8x19
32	2.0350.203.3	9	screw 3.5x9.5
33	01112264	8	screw m 6 x 20, d933
34	04429941	4	nut
35	01119810	9	washer 6.4
36	2.6999.064.6	2	special nut m 6
40	04429682	1	support
74	04429203	1	support
75	04451325	1	support
77	2.1310.002.2	2	washer 6.6, d125
78	2.1120.003.2	2	nut m 6

9_95071_26_0_B

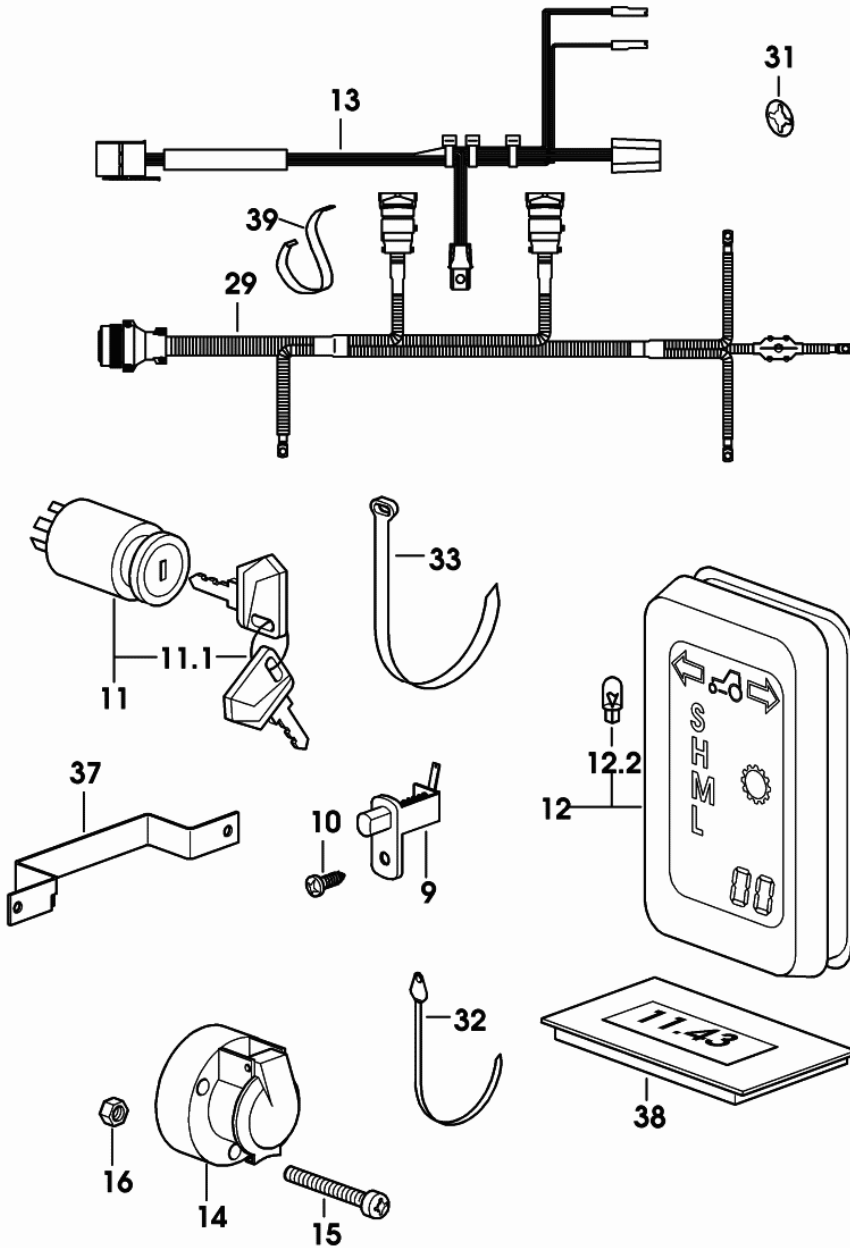
Section: CAB
CLIMATE CONTROL SYSTEM

Fig.	Code	QTY	Name
1	0.010.9139.4/20	1	climatization kit COMPONENT PARTS SEE COMPONENTS LIST ☞ 0.010.9139.4/20 ☞ 0B.00.42
4	0.010.9418.0	2	gasket
5	0.010.9419.0	1	gasket
6	01112356	1	screw m 8 x 40
7	01107101	9	washer 8.4
8	04429589	1	gasket mm 538
9	04429583	1	gasket mm 412
11	0.010.8330.0/10	1	duct
12	0.010.8910.0	1	gasket
13	0.010.8911.0/10	3	gasket
14	0.010.8331.0	1	clamp
15	04426352	8	screw m 8 p.1.25 x 20
16	04429952.4	1	cover
17	0.010.6539.0/20	2	hinge
19	0.011.4589.3/10	2	flexible hose
20	2.6851.019.0	2	clamp Ø 13/20
27	01173053	2	clamp b 25x20
28	01123749	2	screw m 6 x 25
29	01112813	2	nut m 6
30	04429584	1	cock or tap
31	01137412	3	clamp
32	04423216	1	clamp
37	0.011.3245.0	2	block
38	04429761	1	tube
39	04429205.4	1	control grp. COMPONENT PARTS SEE COMPONENTS LIST ☞ 04429205.4 ☞ 0B.00.43
40	04429773	1	bracket
41	01172669	2	rivet 4.8x10.3
42	04425620.4/20	2	air filter
42.1	04411228	1	air filter element
42.2	04411230/10	1	guard
42.3	04411229	1	screw
43	04453445	1	bracket
44	2.1470.004.2	1	washer 8
45	2.1011.105.2	1	nut m 8 p.1.25
46	04429732	1	plate



ELECTRICAL SYSTEM

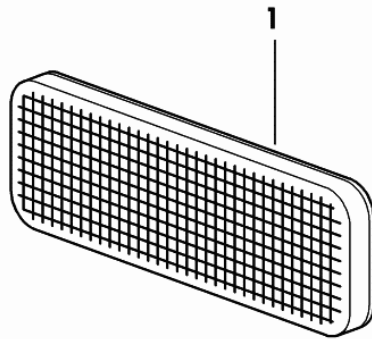
Fig.	Code	QTY	Name
9	04414097	1	switch
10	04412976	1	screw 4.8x19
11	04411512.4	1	start device
11.1	04418435	1	key
12	04419280.4	1	monitor
12.2	04419282	2	lamp
13	04437875	1	electrical system
14	04424116	1	socket
15	04415869	3	screw m 5 x 35
16	01136451	3	nut 5
29	04437846/20	1	electrical system
COMPONENTIAL PARTS SEE COMPONENTS LIST			
☞ 04437846/20			
☞ 08.00.33			
31	04414078	1	nut
32	04413875	1	clamp
33	01080571	18	band 172X4.6
37	04429773	1	bracket
38	04412337	1	digital chronometers
39	01173352	2	clamp



K9_D3771_30_0_B

RETROREFLECTOR

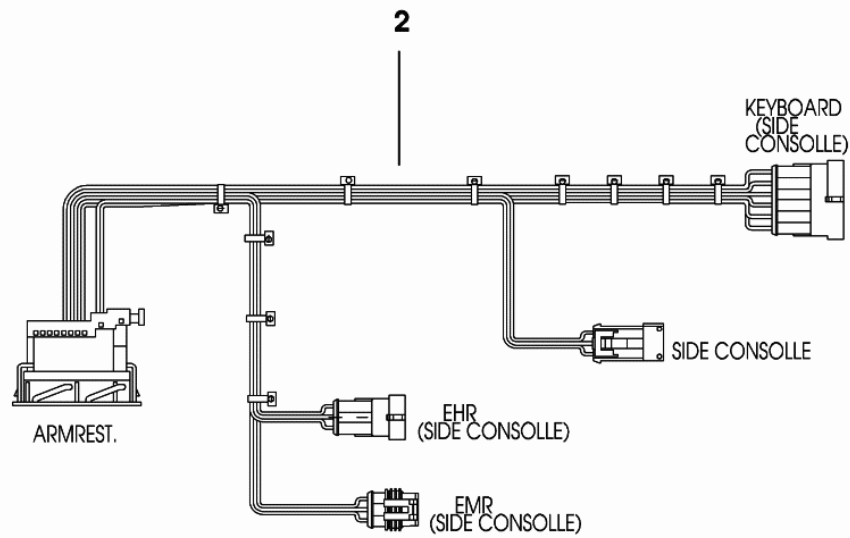
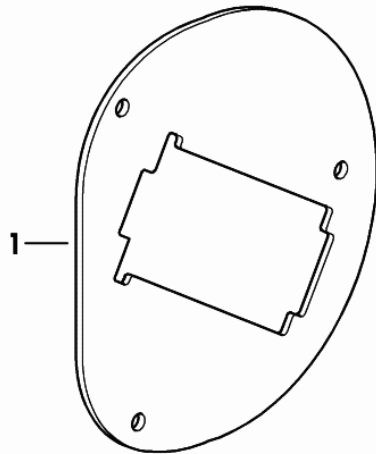
Fig.	Code	QTY	Name
1	04413298	2	reflector



9_95385_35_0_0

CABLE SET - MULTIFUNCTION ARMREST

Fig.	Code	QTY	Name
1	04429575	1	plate
2	04437354.4	1	electrical system



9_95371_31_0_0

Section: ELECTRIC AL SYSTEM
ELECTRONICS BOX EXPORT U.S.A.

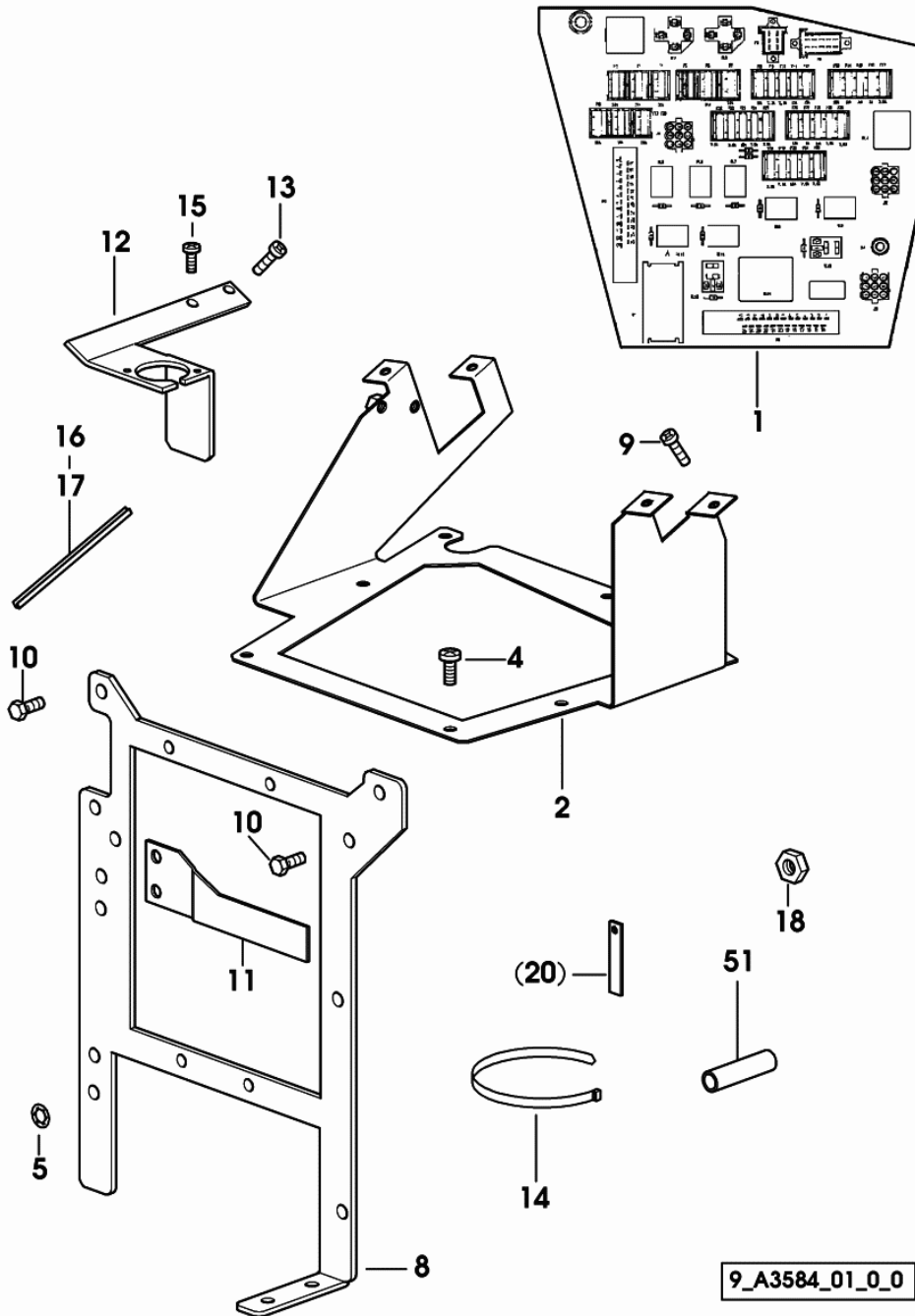
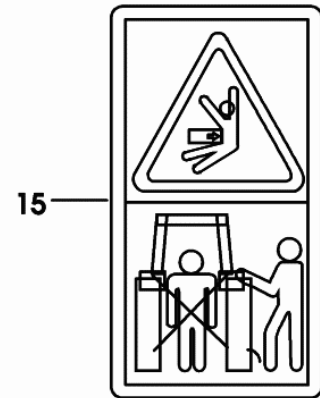
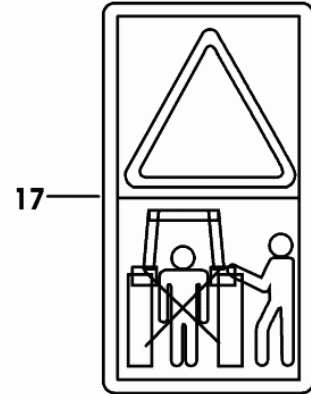
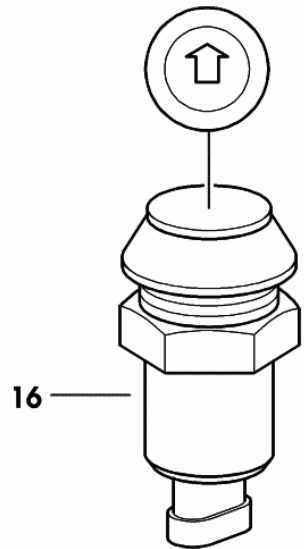


Fig.	Code	QTY	Name
1	04419533.4/10	1	electronic unit COMPONENT PARTS SEE COMPONENTS LIST ☞ 04419533.4/10 ☞ 08.00.37
2	04429360.4	1	support
4	01100595	9	screw m 5x8
5	04414078	20	nut
8	0.012.5742.3/20	1	support
9	04412976	10	screw 4.8x19
10	04429754	2	screw m 6 p.1.0 x 16
11	0.012.9137.2/10	1	support
12	04429607/10	1	support
13	01124514	2	screw m 5 x 12
14	01080571	5	band 172X4.6
15	01105492	2	screw m 3x10
16	01393059	0	gasket
17	01393059	0	gasket
18	01102659	1	nut m 10, d934
51	04429991	9	tube 60x19x2.5

9_A3584_01_0_0

REAR LIFT CONTROL

Fig.	Code	QTY	Name
15	04416340	1	plate
16	04412688	2	switch
17	04416339	1	plate



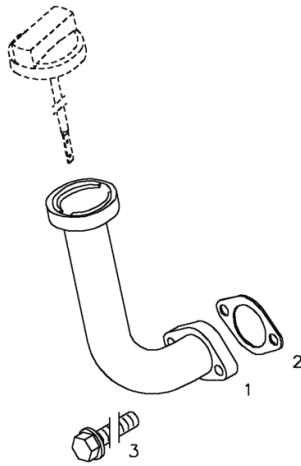
9_95368_01_0_0

GUARD.....	01.63.3
Heating system	
HEATER CONNECTION.....	01.75.1
Hydraulic pump	
CLOSING COMPONENTS.....	01.83.1
CLOSING COMPONENTS.....	01.83.2
Sealing set	
COOL.SYST.PROTECT.....	01.90.1
GASKET SET.....	01.90.2

Section: ENGINE
OIL FILLER NECK

Fig.	Code	QTY	Name
3	01181433	2	screw

000 ©



Section: ENGINE
BLEEDING TUBE

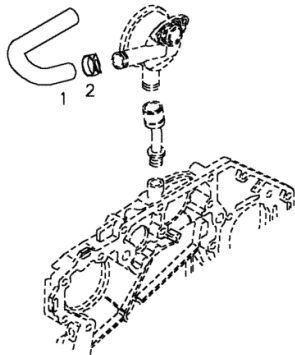
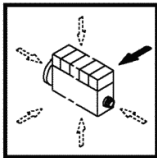
Fig.	Code	QTY	Name
------	------	-----	------

Engine Serial Numbers:

1010800 1010801 1010802 1010803 1010804 1010805 1010806 1010807 1010918 1012168 1012169 1012170
 1012171 1012172 1012173 1012174 1012175 1012176 1012177 1012178 1012179 1012180 1012181 1013108
 1013109 1013110 1013111 1013112 1013113 1016671 1016672 1016673 1016674 1016675 1016676 1016677
 1016678 1019391 1019392 1019393 1019394 1019395 1021816 1021817 1021818 1021819 1021820 1021821
 1021822 1021823 1021824 1021825 1021826 1021827 1021828 1021829 1021830 1021831 1021832 1021833
 1021834 1021835 1027891 1027892 1027893 1027894 1027895 1027896 1027897 1027898 1027899 1027900
 1027901 1027902 1027903 1027904 1027905 1030706 1030707 1030708 1030709 1030710 1030711 1030712
 1030713 1030714 1030715 1030716 1030717 1030718 1030719 1030720 1030721 1030722 1030723 1030724
 1030725 1030726 1030727 1030728 1030729 1030730 1034693 1035296 1035297 1035298 1035299 1035543
 1035544 1035545 1035546 1035547 1035548 1039971 1039972 1039973 1039974 1039975

000 ©

1	04198572	1	tube
2	01178750	1	clamp

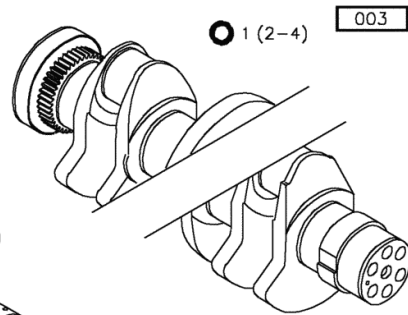
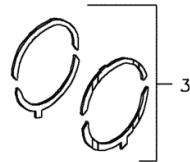
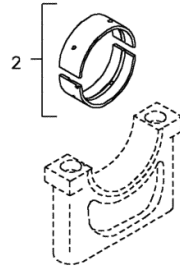
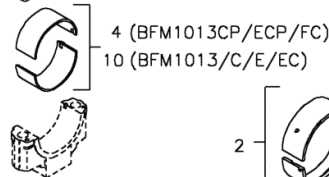
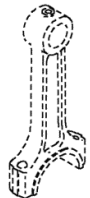
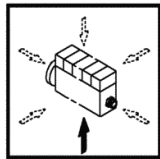


Section: ENGINE
CRANKSHAFT

Fig.	Code	QTY	Name
------	------	-----	------

Engine Serial Numbers:

839260 839261 839262 839263 839264 840652 840653 843516 843517 843518 843519 843520 843521 843522
 843523 843524 843525 843526 843527 843528 843529 843530 848132 848133 848134 848135 848136 848137
 848138 848139 848140 848141 848142 848143 848144 848145 848146 848147 848148 848149 848150 848151
 848152 848153 848154 848155 848156 848157 848333 848334 848335 848336 848337 848338 848339 848340
 848341 848342 848343 848344 848345 848346 848380 848381 848382 848383 848384 848385 848386 848387
 848388 848389 848390 848391 848392 848393 848394 860371 860372 860373 860374 860375 860376 860377
 860378 860379 860380 860381 860382 860383 860384 860385 860386 860387 860388 860389 860390 862318
 862319 862320 862321 862322 862323 862324 862325 862326 862327 862328 862329 862330 862331 862332
 862333 862334 862335 862336 862337 864840 864841 864842 864843 864844 864845 864846 864847 864848
 864849 864850 864851 864852 864853 864854 864855 864856 864857 864858 864859 866943 866944 866945
 866946 866947 866948 866949 866950 866951 866952 866953 866954 866955 866956 866957 872077 872078
 872079 872080 872081 872082 872083 872084 872085 872086 872087 872088 872089 872090 872091 872092
 872093 872094 872095 872096 873386 873387 873388 873389 873390 873391 873392 873393 873394 873395
 873396 876052 877636 877637 877638 877639 877640 877641 877642 877643 877644 877645 877646 877647
 877714 877715 877716 877717 877718 877719 878714 878715 878716 878717 878718 878719 878720 878721
 878722 878723 878724 878725 878726 878727 878728 878729 878730 878731 883424 883425 883426 883427
 883428 883429 883430 883431 883432 883433 883434 883435 883436 883437 883438 883439 883440 883441
 883452 883453 884739 884740 884741 884742 884743 890182 890183 890184 890185 890186 890187 890188
 890189 890190 890191 890192 890193 890194 890195 890196 890197 890198 890199 894206 894207 894208
 894209 894210 894211 894212 894213 894214 894215 894216 894217 894218 894219 894220 894221 894222
 894223 894224 894225 896029 896030 896031 896032 896033 899858 899859 899860 899861 899862 899863
 899864 899865 899866 899867 899868 899869 899870 899871 899872 899873 931962 937034 937035 937600
 937601 937602 937603 937604 937605 937606 937607 937608 937609 938435 938436 938437 938438 938439
 938440 938441 938442 938443 938444 938445 938446 938447 938448 938449 938470 938471 938472 938473
 938474 938475 938476 938477 938478 938479 943674 943675 943676 943677 943678 943679 943680 943681
 945205 945206 945207 945208 945209 945210 945211 945212 945213 945214 945215 945216 945217 945218
 945219 945220 945221 945222 945223 945224 945225 945226 945227 945228 945229 945230 945231 945232
 945233 945234 952791 952792 952793 952794 952795 952796 952797 952798 952799 952800 952801 952802
 952803 952804 952805 952806 952807 952808 952809 952810 952811 952812 952813 952814 952815 954499
 954500 954501 954502 955908 955909 955910 955911 955912 955913 955914 955915 955916 955917 955918
 955919 955920 955921 955922 964169 964170 964171 964172 964173 964174 964175 966916 966917 966918
 966919 966920 966921 966922 966923 966924 966925 966926 966927 966928 966929 966930 970265 970266
 970267 970268 970269 970270 970271 970272 970273 970274 970275 970276 970277 970278 970279 970280
 970281 970282 970283 970284 970285 970286 980031 980032 1010800 1010801 1010802 1010803 1010804
 1010805 1010806 1010807 1010918 1012168 1012169 1012170 1012171 1012172 1012173 1012174 1012175
 1012176 1012177 1012178 1012179 1012180 1012181 1013108 1013109 1013110 1013111 1013112 1013113
 1016671 1016672 1016673 1016674 1016675 1016676 1016677 1016678 1019391 1019392 1019393 1019394
 1019395 1021816 1021817 1021818 1021819 1021820 1021821 1021822 1021823 1021824 1021825 1021826
 1021827 1021828 1021829 1021830 1021831 1021832 1021833 1021834 1021835 1027891 1027892 1027893
 1027894 1027895 1027896 1027897 1027898 1027899 1027900 1027901 1027902 1027903 1027904 1027905
 1030706 1030707 1030708 1030709 1030710 1030711 1030712 1030713 1030714 1030715 1030716 1030717
 1030718 1030719 1030720 1030721 1030722 1030723 1030724 1030725 1030726 1030727 1030728 1030729
 1030730 1034693 1035296 1035297 1035298 1035299 1035543 1035544 1035545 1035546 1035547 1035548
 1039971 1039972 1039973 1039974 1039975

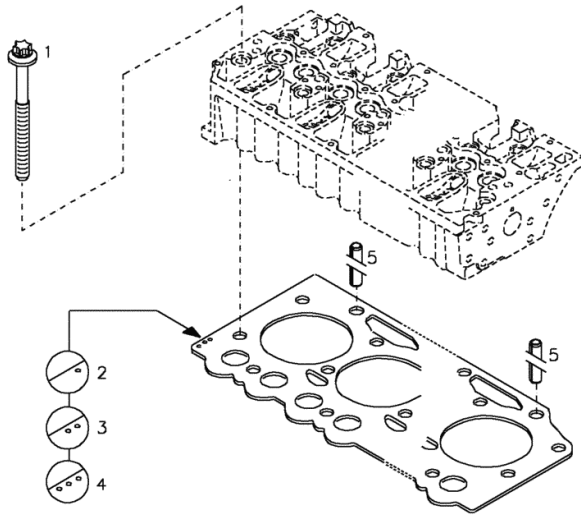
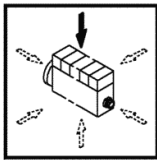


Section: ENGINE
FASTENINGS

Fig.	Code	QTY	Name
------	------	-----	------

Engine Serial Numbers:

839260 839261 839262 839263 839264 840652 840653 843516 843517 843518 843519 843520 843521 843522
 843523 843524 843525 843526 843527 843528 843529 843530 848132 848133 848134 848135 848136 848137
 848138 848139 848140 848141 848142 848143 848144 848145 848146 848147 848148 848149 848150 848151
 848152 848153 848154 848155 848156 848157 848333 848334 848335 848336 848337 848338 848339 848340
 848341 848342 848343 848344 848345 848346 848380 848381 848382 848383 848384 848385 848386 848387
 848388 848389 848390 848391 848392 848393 848394 860371 860372 860373 860374 860375 860376 860377
 860378 860379 860380 860381 860382 860383 860384 860385 860386 860387 860388 860389 860390 862318
 862319 862320 862321 862322 862323 862324 862325 862326 862327 862328 862329 862330 862331 862332
 862333 862334 862335 862336 862337 864840 864841 864842 864843 864844 864845 864846 864847 864848
 864849 864850 864851 864852 864853 864854 864855 864856 864857 864858 864859 866943 866944 866945
 866946 866947 866948 866949 866950 866951 866952 866953 866954 866955 866956 866957 872077 872078
 872079 872080 872081 872082 872083 872084 872085 872086 872087 872088 872089 872090 872091 872092
 872093 872094 872095 872096 873386 873387 873388 873389 873390 873391 873392 873393 873394 873395
 873396 876052 877636 877637 877638 877639 877640 877641 877642 877643 877644 877645 877646 877647
 877714 877715 877716 877717 877718 877719 878714 878715 878716 878717 878718 878719 878720 878721
 878722 878723 878724 878725 878726 878727 878728 878729 878730 878731 883424 883425 883426 883427
 883428 883429 883430 883431 883432 883433 883434 883435 883436 883437 883438 883439 883440 883441
 883452 883453 884739 884740 884741 884742 884743 890182 890183 890184 890185 890186 890187 890188
 890189 890190 890191 890192 890193 890194 890195 890196 890197 890198 890199 894206 894207 894208
 894209 894210 894211 894212 894213 894214 894215 894216 894217 894218 894219 894220 894221 894222
 894223 894224 894225 896029 896030 896031 896032 896033 899858 899859 899860 899861 899862 899863
 899864 899865 899866 899867 899868 899869 899870 899871 899872 899873 931962 937034 937035 937600
 937601 937602 937603 937604 937605 937606 937607 937608 937609 938435 938436 938437 938438 938439
 938440 938441 938442 938443 938444 938445 938446 938447 938448 938449 938470 938471 938472 938473
 938474 938475 938476 938477 938478 938479 943674 943675 943676 943677 943678 943679 943680 943681
 945205 945206 945207 945208 945209 945210 945211 945212 945213 945214 945215 945216 945217 945218
 945219 945220 945221 945222 945223 945224 945225 945226 945227 945228 945229 945230 945231 945232
 945233 945234 952791 952792 952793 952794 952795 952796 952797 952798 952799 952800 952801 952802
 952803 952804 952805 952806 952807 952808 952809 952810 952811 952812 952813 952814 952815 954499
 954500 954501 954502 955908 955909 955910 955911 955912 955913 955914 955915 955916 955917 955918
 955919 955920 955921 955922 964169 964170 964171 964172 964173 964174 964175 966916 966917 966918
 966919 966920 966921 966922 966923 966924 966925 966926 966927 966928 966929 966930 970265 970266
 970267 970268 970269 970270 970271 970272 970273 970274 970275 970276 970277 970278 970279 970280
 970281 970282 970283 970284 970285 970286 980031 980032 1010800 1010801 1010802 1010803 1010804
 1010805 1010806 1010807 1010918 1012168 1012169 1012170 1012171 1012172 1012173 1012174 1012175
 1012176 1012177 1012178 1012179 1012180 1012181 1013108 1013109 1013110 1013111 1013112 1013113
 1016671 1016672 1016673 1016674 1016675 1016676 1016677 1016678 1019391 1019392 1019393 1019394
 1019395 1021816 1021817 1021818 1021819 1021820 1021821 1021822 1021823 1021824 1021825 1021826
 1021827 1021828 1021829 1021830 1021831 1021832 1021833 1021834 1021835 1027891 1027892 1027893
 1027894 1027895 1027896 1027897 1027898 1027899 1027900 1027901 1027902 1027903 1027904 1027905
 1030706 1030707 1030708 1030709 1030710 1030711 1030712 1030713 1030714 1030715 1030716 1030717
 1030718 1030719 1030720 1030721 1030722 1030723 1030724 1030725 1030726 1030727 1030728 1030729
 1030730 1034693 1035296 1035297 1035298 1035299 1035543 1035544 1035545 1035546 1035547 1035548
 1039971 1039972 1039973 1039974 1039975



001 ©

1	04202005	26	shim
2	04201559	1	gasket

CLICK HERE TO **DOWNLOAD** THE COMPLETE MANUAL

- Thank you very much for reading the preview of the manual.
- You can download the complete manual from: www.heydownloads.com by clicking the link below



- Please note: If there is no response to CLICKING the link, please download this PDF first and then click on it.

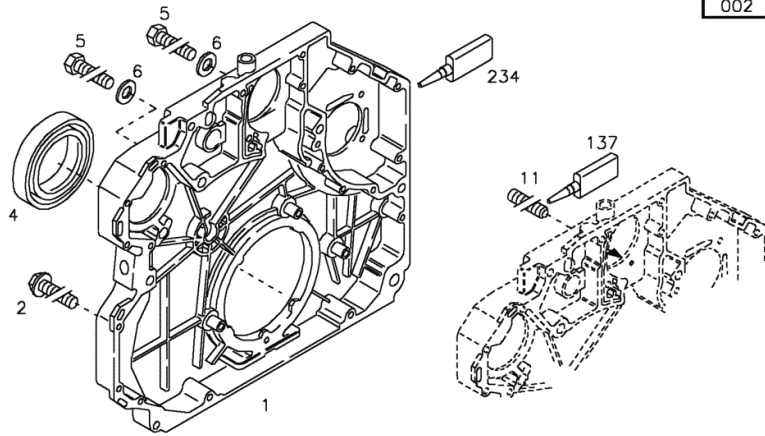
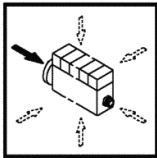
CLICK HERE TO **DOWNLOAD** THE COMPLETE MANUAL

Section: ENGINE
GEARCASE

Fig.	Code	QTY	Name
------	------	-----	------

Engine Serial Numbers:

839260 839261 839262 839263 839264 840652 840653 843516 843517 843518 843519 843520 843521 843522
 843523 843524 843525 843526 843527 843528 843529 843530 848132 848133 848134 848135 848136 848137
 848138 848139 848140 848141 848142 848143 848144 848145 848146 848147 848148 848149 848150 848151
 848152 848153 848154 848155 848156 848157 848333 848334 848335 848336 848337 848338 848339 848340
 848341 848342 848343 848344 848345 848346 848380 848381 848382 848383 848384 848385 848386 848387
 848388 848389 848390 848391 848392 848393 848394 860371 860372 860373 860374 860375 860376 860377
 860378 860379 860380 860381 860382 860383 860384 860385 860386 860387 860388 860389 860390 862318
 862319 862320 862321 862322 862323 862324 862325 862326 862327 862328 862329 862330 862331 862332
 862333 862334 862335 862336 862337 864840 864841 864842 864843 864844 864845 864846 864847 864848
 864849 864850 864851 864852 864853 864854 864855 864856 864857 864858 864859 866943 866944 866945
 866946 866947 866948 866949 866950 866951 866952 866953 866954 866955 866956 866957 872077 872078
 872079 872080 872081 872082 872083 872084 872085 872086 872087 872088 872089 872090 872091 872092
 872093 872094 872095 872096 873386 873387 873388 873389 873390 873391 873392 873393 873394 873395
 873396 876052 877636 877637 877638 877639 877640 877641 877642 877643 877644 877645 877646 877647
 877714 877715 877716 877717 877718 877719 878714 878715 878716 878717 878718 878719 878720 878721
 878722 878723 878724 878725 878726 878727 878728 878729 878730 878731 883424 883425 883426 883427
 883428 883429 883430 883431 883432 883433 883434 883435 883436 883437 883438 883439 883440 883441
 883452 883453 884739 884740 884741 884742 884743 890182 890183 890184 890185 890186 890187 890188
 890189 890190 890191 890192 890193 890194 890195 890196 890197 890198 890199 894206 894207 894208
 894209 894210 894211 894212 894213 894214 894215 894216 894217 894218 894219 894220 894221 894222
 894223 894224 894225 896029 896030 896031 896032 896033 899858 899859 899860 899861 899862 899863
 899864 899865 899866 899867 899868 899869 899870 899871 899872 899873 931962 937034 937035 937600
 937601 937602 937603 937604 937605 937606 937607 937608 937609 938435 938436 938437 938438 938439
 938440 938441 938442 938443 938444 938445 938446 938447 938448 938449 938470 938471 938472 938473
 938474 938475 938476 938477 938478 938479 943674 943675 943676 943677 943678 943679 943680 943681
 945205 945206 945207 945208 945209 945210 945211 945212 945213 945214 945215 945216 945217 945218
 945219 945220 945221 945222 945223 945224 945225 945226 945227 945228 945229 945230 945231 945232
 945233 945234 952791 952792 952793 952794 952795 952796 952797 952798 952799 952800 952801 952802
 952803 952804 952805 952806 952807 952808 952809 952810 952811 952812 952813 952814 952815 954499
 954500 954501 954502 955908 955909 955910 955911 955912 955913 955914 955915 955916 955917 955918
 955919 955920 955921 955922 964169 964170 964171 964172 964173 964174 964175 966916 966917 966918
 966919 966920 966921 966922 966923 966924 966925 966926 966927 966928 966929 966930 970265 970266
 970267 970268 970269 970270 970271 970272 970273 970274 970275 970276 970277 970278 970279 970280
 970281 970282 970283 970284 970285 970286 980031 980032 1010800 1010801 1010802 1010803 1010804
 1010805 1010806 1010807 1010918 1012168 1012169 1012170 1012171 1012172 1012173 1012174 1012175
 1012176 1012177 1012178 1012179 1012180 1012181 1013108 1013109 1013110 1013111 1013112 1013113
 1016671 1016672 1016673 1016674 1016675 1016676 1016677 1016678 1019391 1019392 1019393 1019394
 1019395 1021816 1021817 1021818 1021819 1021820 1021821 1021822 1021823 1021824 1021825 1021826
 1021827 1021828 1021829 1021830 1021831 1021832 1021833 1021834 1021835 1027891 1027892 1027893
 1027894 1027895 1027896 1027897 1027898 1027899 1027900 1027901 1027902 1027903 1027904 1027905
 1030706 1030707 1030708 1030709 1030710 1030711 1030712 1030713 1030714 1030715 1030716 1030717
 1030718 1030719 1030720 1030721 1030722 1030723 1030724 1030725 1030726 1030727 1030728 1030729
 1030730 1034693 1035296 1035297 1035298 1035299 1035543 1035544 1035545 1035546 1035547 1035548
 1039971 1039972 1039973 1039974 1039975



bis Baumanat:
up to month of manufacture:
jusque mois de montage: 04.00
hasta el mes de fabricacion:

ab Baumanat:
from month of manufacture:
a partir mois de montage: 05.00
a partir del mes de fabricacion:

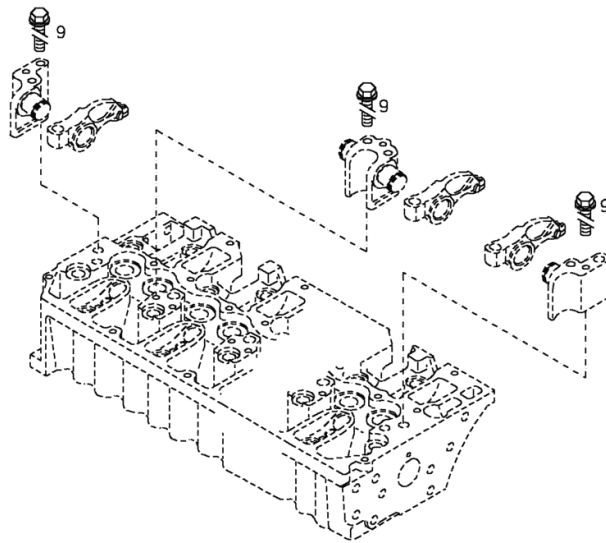
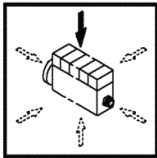
1	04251564	1	set of gear
2	01143362	12	screw

Section: ENGINE
FASTENINGS

Fig.	Code	QTY	Name
------	------	-----	------

Engine Serial Numbers:

931962 937034 937035 937600 937601 937602 937603 937604 937605 937606 937607 937608 937609 938435
 938436 938437 938438 938439 938440 938441 938442 938443 938444 938445 938446 938447 938448 938449
 938470 938471 938472 938473 938474 938475 938476 938477 938478 938479 943674 943675 943676 943677
 943678 943679 943680 943681 945205 945206 945207 945208 945209 945210 945211 945212 945213 945214
 945215 945216 945217 945218 945219 945220 945221 945222 945223 945224 945225 945226 945227 945228
 945229 945230 945231 945232 945233 945234 952791 952792 952793 952794 952795 952796 952797 952798
 952799 952800 952801 952802 952803 952804 952805 952806 952807 952808 952809 952810 952811 952812
 952813 952814 952815 954499 954500 954501 954502 955908 955909 955910 955911 955912 955913 955914
 955915 955916 955917 955918 955919 955920 955921 955922 964169 964170 964171 964172 964173 964174
 964175 966916 966917 966918 966919 966920 966921 966922 966923 966924 966925 966926 966927 966928
 966929 966930 970265 970266 970267 970268 970269 970270 970271 970272 970273 970274 970275 970276
 970277 970278 970279 970280 970281 970282 970283 970284 970285 970286 980031 980032 1010800 1010801
 1010802 1010803 1010804 1010805 1010806 1010807 1010918 1012168 1012169 1012170 1012171 1012172
 1012173 1012174 1012175 1012176 1012177 1012178 1012179 1012180 1012181 1013108 1013109 1013110
 1013111 1013112 1013113 1016671 1016672 1016673 1016674 1016675 1016676 1016677 1016678 1019391
 1019392 1019393 1019394 1019395 1021816 1021817 1021818 1021819 1021820 1021821 1021822 1021823
 1021824 1021825 1021826 1021827 1021828 1021829 1021830 1021831 1021832 1021833 1021834 1021835
 1027891 1027892 1027893 1027894 1027895 1027896 1027897 1027898 1027899 1027900 1027901 1027902
 1027903 1027904 1027905 1030706 1030707 1030708 1030709 1030710 1030711 1030712 1030713 1030714
 1030715 1030716 1030717 1030718 1030719 1030720 1030721 1030722 1030723 1030724 1030725 1030726
 1030727 1030728 1030729 1030730 1034693 1035296 1035297 1035298 1035299 1035543 1035544 1035545
 1035546 1035547 1035548 1039971 1039972 1039973 1039974 1039975



9	01181435	1	screw
---	----------	---	-------

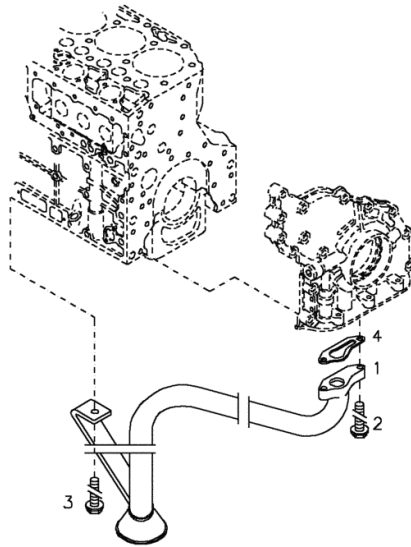
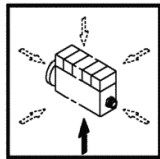
Section: ENGINE
OIL SUCTION PIPE

Fig.	Code	QTY	Name
------	------	-----	------

Engine Serial Numbers:

839260 839261 839262 839263 839264 840652 840653 843516 843517 843518 843519 843520 843521 843522
 843523 843524 843525 843526 843527 843528 843529 843530 848132 848133 848134 848135 848136 848137
 848138 848139 848140 848141 848142 848143 848144 848145 848146 848147 848148 848149 848150 848151
 848152 848153 848154 848155 848156 848157 848333 848334 848335 848336 848337 848338 848339 848340
 848341 848342 848343 848344 848345 848346 848380 848381 848382 848383 848384 848385 848386 848387
 848388 848389 848390 848391 848392 848393 848394 860371 860372 860373 860374 860375 860376 860377
 860378 860379 860380 860381 860382 860383 860384 860385 860386 860387 860388 860389 860390 862318
 862319 862320 862321 862322 862323 862324 862325 862326 862327 862328 862329 862330 862331 862332
 862333 862334 862335 862336 862337 864840 864841 864842 864843 864844 864845 864846 864847 864848
 864849 864850 864851 864852 864853 864854 864855 864856 864857 864858 864859 866943 866944 866945
 866946 866947 866948 866949 866950 866951 866952 866953 866954 866955 866956 866957 872077 872078
 872079 872080 872081 872082 872083 872084 872085 872086 872087 872088 872089 872090 872091 872092
 872093 872094 872095 872096 873386 873387 873388 873389 873390 873391 873392 873393 873394 873395
 873396 876052 877636 877637 877638 877639 877640 877641 877642 877643 877644 877645 877646 877647
 877714 877715 877716 877717 877718 877719 878714 878715 878716 878717 878718 878719 878720 878721
 878722 878723 878724 878725 878726 878727 878728 878729 878730 878731 883424 883425 883426 883427
 883428 883429 883430 883431 883432 883433 883434 883435 883436 883437 883438 883439 883440 883441
 883452 883453 884739 884740 884741 884742 884743 890182 890183 890184 890185 890186 890187 890188
 890189 890190 890191 890192 890193 890194 890195 890196 890197 890198 890199 894206 894207 894208
 894209 894210 894211 894212 894213 894214 894215 894216 894217 894218 894219 894220 894221 894222
 894223 894224 894225 896029 896030 896031 896032 896033 899858 899859 899860 899861 899862 899863
 899864 899865 899866 899867 899868 899869 899870 899871 899872 899873 931962 937034 937035 937600
 937601 937602 937603 937604 937605 937606 937607 937608 937609 938435 938436 938437 938438 938439
 938440 938441 938442 938443 938444 938445 938446 938447 938448 938449 938470 938471 938472 938473
 938474 938475 938476 938477 938478 938479 943674 943675 943676 943677 943678 943679 943680 943681
 945205 945206 945207 945208 945209 945210 945211 945212 945213 945214 945215 945216 945217 945218
 945219 945220 945221 945222 945223 945224 945225 945226 945227 945228 945229 945230 945231 945232
 945233 945234 952791 952792 952793 952794 952795 952796 952797 952798 952799 952800 952801 952802
 952803 952804 952805 952806 952807 952808 952809 952810 952811 952812 952813 952814 952815 954499
 954500 954501 954502 955908 955909 955910 955911 955912 955913 955914 955915 955916 955917 955918
 955919 955920 955921 955922 964169 964170 964171 964172 964173 964174 964175 966916 966917 966918
 966919 966920 966921 966922 966923 966924 966925 966926 966927 966928 966929 966930 970265 970266
 970267 970268 970269 970270 970271 970272 970273 970274 970275 970276 970277 970278 970279 970280
 970281 970282 970283 970284 970285 970286 980031 980032 1010800 1010801 1010802 1010803 1010804
 1010805 1010806 1010807 1010918 1012168 1012169 1012170 1012171 1012172 1012173 1012174 1012175
 1012176 1012177 1012178 1012179 1012180 1012181 1013108 1013109 1013110 1013111 1013112 1013113
 1016671 1016672 1016673 1016674 1016675 1016676 1016677 1016678 1019391 1019392 1019393 1019394
 1019395 1021816 1021817 1021818 1021819 1021820 1021821 1021822 1021823 1021824 1021825 1021826
 1021827 1021828 1021829 1021830 1021831 1021832 1021833 1021834 1021835 1027891 1027892 1027893
 1027894 1027895 1027896 1027897 1027898 1027899 1027900 1027901 1027902 1027903 1027904 1027905
 1030706 1030707 1030708 1030709 1030710 1030711 1030712 1030713 1030714 1030715 1030716 1030717
 1030718 1030719 1030720 1030721 1030722 1030723 1030724 1030725 1030726 1030727 1030728 1030729
 1030730 1034693 1035296 1035297 1035298 1035299 1035543 1035544 1035545 1035546 1035547 1035548
 1039971 1039972 1039973 1039974 1039975

001 ©



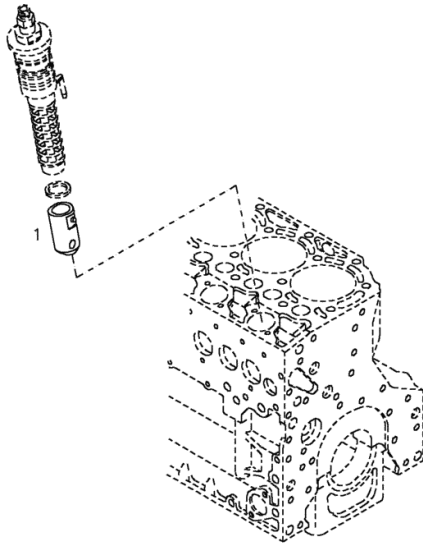
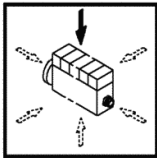
1	04205883	1	tube
2	01181416	2	screw

Section: ENGINE
ROLLER TAPPET

Fig.	Code	QTY	Name
------	------	-----	------

Engine Serial Numbers:
 931962 937034 937035 980031 980032 1010918

1	02112963	6	cap
---	----------	---	-----



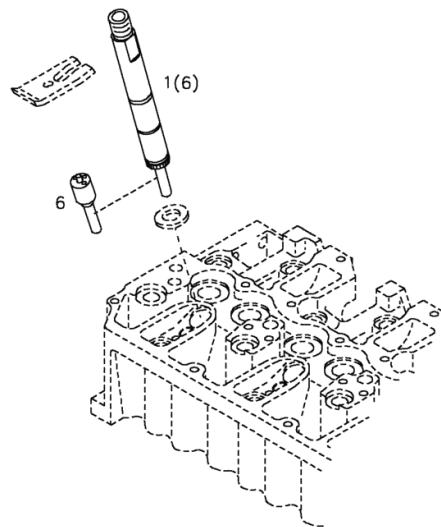
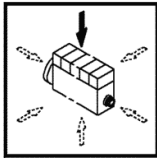
000 ©

Section: ENGINE
FUEL INJECTOR

Fig.	Code	QTY	Name
------	------	-----	------

Engine Serial Numbers:

839260 839261 839262 839263 839264 840652 840653 843516 843517 843518 843519 843520 843521 843522
 843523 843524 843525 843526 843527 843528 843529 843530 848132 848133 848134 848135 848136 848137
 848138 848139 848140 848141 848142 848143 848144 848145 848146 848147 848148 848149 848150 848151
 848152 848153 848154 848155 848156 848157 848333 848334 848335 848336 848337 848338 848339 848340
 848341 848342 848343 848344 848345 848346 848380 848381 848382 848383 848384 848385 848386 848387
 848388 848389 848390 848391 848392 848393 848394 860371 860372 860373 860374 860375 860376 860377
 860378 860379 860380 860381 860382 860383 860384 860385 860386 860387 860388 860389 860390 862318
 862319 862320 862321 862322 862323 862324 862325 862326 862327 862328 862329 862330 862331 862332
 862333 862334 862335 862336 862337 864840 864841 864842 864843 864844 864845 864846 864847 864848
 864849 864850 864851 864852 864853 864854 864855 864856 864857 864858 864859 866943 866944 866945
 866946 866947 866948 866949 866950 866951 866952 866953 866954 866955 866956 866957 872077 872078
 872079 872080 872081 872082 872083 872084 872085 872086 872087 872088 872089 872090 872091 872092
 872093 872094 872095 872096 873386 873387 873388 873389 873390 873391 873392 873393 873394 873395
 873396 876052 877636 877637 877638 877639 877640 877641 877642 877643 877644 877645 877646 877647
 877714 877715 877716 877717 877718 877719 878714 878715 878716 878717 878718 878719 878720 878721
 878722 878723 878724 878725 878726 878727 878728 878729 878730 878731 883424 883425 883426 883427
 883428 883429 883430 883431 883432 883433 883434 883435 883436 883437 883438 883439 883440 883441
 883452 883453 884739 884740 884741 884742 884743 890182 890183 890184 890185 890186 890187 890188
 890189 890190 890191 890192 890193 890194 890195 890196 890197 890198 890199 894206 894207 894208
 894209 894210 894211 894212 894213 894214 894215 894216 894217 894218 894219 894220 894221 894222
 894223 894224 894225 896029 896030 896031 896032 896033 899858 899859 899860 899861 899862 899863
 899864 899865 899866 899867 899868 899869 899870 899871 899872 899873 931962 937034 937035 937600
 937601 937602 937603 937604 937605 937606 937607 937608 937609 938435 938436 938437 938438 938439
 938440 938441 938442 938443 938444 938445 938446 938447 938448 938449 938470 938471 938472 938473
 938474 938475 938476 938477 938478 938479 943674 943675 943676 943677 943678 943679 943680 943681
 945205 945206 945207 945208 945209 945210 945211 945212 945213 945214 945215 945216 945217 945218
 945219 945220 945221 945222 945223 945224 945225 945226 945227 945228 945229 945230 945231 945232
 945233 945234 952791 952792 952793 952794 952795 952796 952797 952798 952799 952800 952801 952802
 952803 952804 952805 952806 952807 952808 952809 952810 952811 952812 952813 952814 952815 954499
 954500 954501 954502 955908 955909 955910 955911 955912 955913 955914 955915 955916 955917 955918
 955919 955920 955921 955922 964169 964170 964171 964172 964173 964174 964175 966916 966917 966918
 966919 966920 966921 966922 966923 966924 966925 966926 966927 966928 966929 966930 970265 970266
 970267 970268 970269 970270 970271 970272 970273 970274 970275 970276 970277 970278 970279 970280
 970281 970282 970283 970284 970285 970286 980031 980032 1010800 1010801 1010802 1010803 1010804
 1010805 1010806 1010807 1010918 1012168 1012169 1012170 1012171 1012172 1012173 1012174 1012175
 1012176 1012177 1012178 1012179 1012180 1012181 1013108 1013109 1013110 1013111 1013112 1013113
 1016671 1016672 1016673 1016674 1016675 1016676 1016677 1016678 1019391 1019392 1019393 1019394
 1019395 1021816 1021817 1021818 1021819 1021820 1021821 1021822 1021823 1021824 1021825 1021826
 1021827 1021828 1021829 1021830 1021831 1021832 1021833 1021834 1021835 1027891 1027892 1027893
 1027894 1027895 1027896 1027897 1027898 1027899 1027900 1027901 1027902 1027903 1027904 1027905
 1030706 1030707 1030708 1030709 1030710 1030711 1030712 1030713 1030714 1030715 1030716 1030717
 1030718 1030719 1030720 1030721 1030722 1030723 1030724 1030725 1030726 1030727 1030728 1030729
 1030730 1034693 1035296 1035297 1035298 1035299 1035543 1035544 1035545 1035546 1035547 1035548
 1039971 1039972 1039973 1039974 1039975



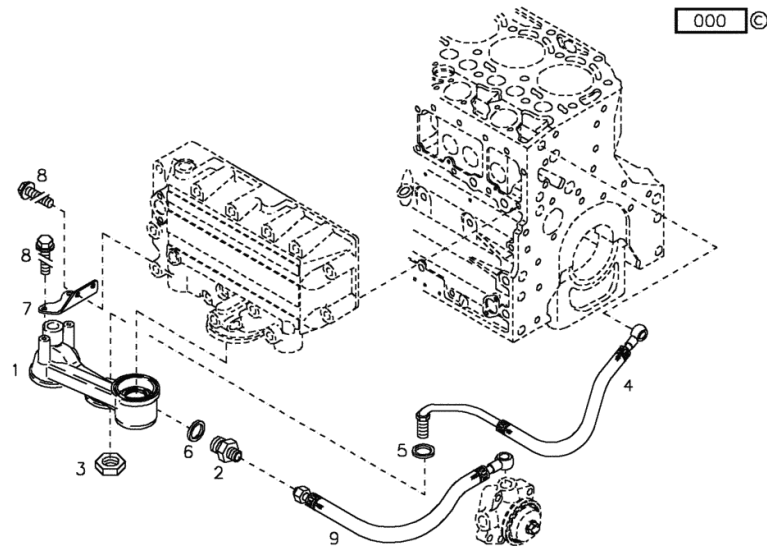
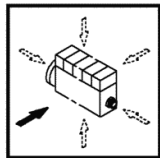
000 ©

1	02112957	1	injector WITH ITEM
---	----------	---	----------------------------

Section: ENGINE

FUEL LINE

Fig.	Code	QTY	Name
3	01139615	1	nut
4	04207899	1	tube
5	01118700	1	'o' ring \varnothing 16 x 20
6	01118693	1	gasket 14x20
7	04207553	1	consolle
8	01181442	2	screw
9	01180509	1	tube



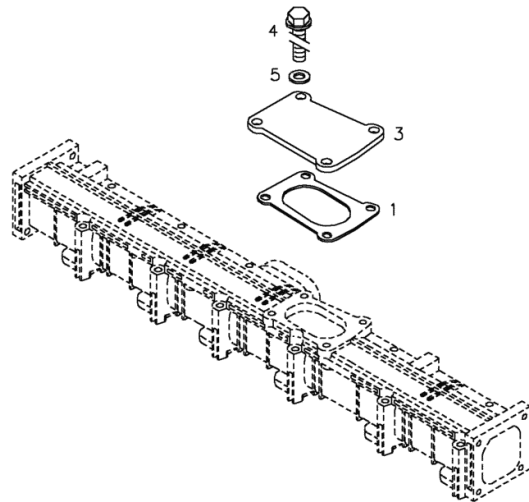
Section: ENGINE
TUNNEL COVER

Fig.	Code	QTY	Name
------	------	-----	------

Engine Serial Numbers:

839260 839261 839262 839263 839264 840652 840653 843516 843517 843518 843519 843520 843521 843522
 843523 843524 843525 843526 843527 843528 843529 843530 848132 848133 848134 848135 848136 848137
 848138 848139 848140 848141 848142 848143 848144 848145 848146 848147 848148 848149 848150 848151
 848152 848153 848154 848155 848156 848157 848333 848334 848335 848336 848337 848338 848339 848340
 848341 848342 848343 848344 848345 848346 848380 848381 848382 848383 848384 848385 848386 848387
 848388 848389 848390 848391 848392 848393 848394 860371 860372 860373 860374 860375 860376 860377
 860378 860379 860380 860381 860382 860383 860384 860385 860386 860387 860388 860389 860390 862318
 862319 862320 862321 862322 862323 862324 862325 862326 862327 862328 862329 862330 862331 862332
 862333 862334 862335 862336 862337 864840 864841 864842 864843 864844 864845 864846 864847 864848
 864849 864850 864851 864852 864853 864854 864855 864856 864857 864858 864859 866943 866944 866945
 866946 866947 866948 866949 866950 866951 866952 866953 866954 866955 866956 866957 872077 872078
 872079 872080 872081 872082 872083 872084 872085 872086 872087 872088 872089 872090 872091 872092
 872093 872094 872095 872096 873386 873387 873388 873389 873390 873391 873392 873393 873394 873395
 873396 876052 877636 877637 877638 877639 877640 877641 877642 877643 877644 877645 877646 877647
 877714 877715 877716 877717 877718 877719 878714 878715 878716 878717 878718 878719 878720 878721
 878722 878723 878724 878725 878726 878727 878728 878729 878730 878731 883424 883425 883426 883427
 883428 883429 883430 883431 883432 883433 883434 883435 883436 883437 883438 883439 883440 883441
 883452 883453 884739 884740 884741 884742 884743 890182 890183 890184 890185 890186 890187 890188
 890189 890190 890191 890192 890193 890194 890195 890196 890197 890198 890199 894206 894207 894208
 894209 894210 894211 894212 894213 894214 894215 894216 894217 894218 894219 894220 894221 894222
 894223 894224 894225 896029 896030 896031 896032 896033 899858 899859 899860 899861 899862 899863
 899864 899865 899866 899867 899868 899869 899870 899871 899872 899873

000 ©



1	04203649	1	gasket
3	04203945	1	cover
4	01179292	4	screw
5	01107095	4	EN 001662-F-M 6 X 20- 10.9-A4C washer 6.4 DIN 000125-A 6,4-140HV-A4C

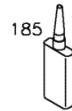
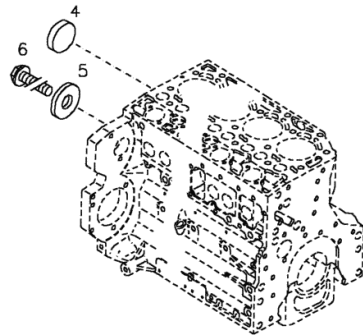
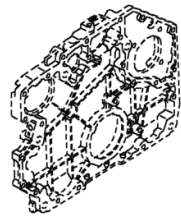
Section: ENGINE
CLOSING COMPONENTS

Fig.	Code	QTY	Name
------	------	-----	------

Engine Serial Numbers:

839260 839261 839262 839263 839264 840652 840653 843516 843517 843518 843519 843520 843521 843522
 843523 843524 843525 843526 843527 843528 843529 843530 848132 848133 848134 848135 848136 848137
 848138 848139 848140 848141 848142 848143 848144 848145 848146 848147 848148 848149 848150 848151
 848152 848153 848154 848155 848156 848157 848333 848334 848335 848336 848337 848338 848339 848340
 848341 848342 848343 848344 848345 848346 848380 848381 848382 848383 848384 848385 848386 848387
 848388 848389 848390 848391 848392 848393 848394 860371 860372 860373 860374 860375 860376 860377
 860378 860379 860380 860381 860382 860383 860384 860385 860386 860387 860388 860389 860390 862318
 862319 862320 862321 862322 862323 862324 862325 862326 862327 862328 862329 862330 862331 862332
 862333 862334 862335 862336 862337 864840 864841 864842 864843 864844 864845 864846 864847 864848
 864849 864850 864851 864852 864853 864854 864855 864856 864857 864858 864859 866943 866944 866945
 866946 866947 866948 866949 866950 866951 866952 866953 866954 866955 866956 866957 872077 872078
 872079 872080 872081 872082 872083 872084 872085 872086 872087 872088 872089 872090 872091 872092
 872093 872094 872095 872096 873386 873387 873388 873389 873390 873391 873392 873393 873394 873395
 873396 876052 877636 877637 877638 877639 877640 877641 877642 877643 877644 877645 877646 877647
 877714 877715 877716 877717 877718 877719 878714 878715 878716 878717 878718 878719 878720 878721
 878722 878723 878724 878725 878726 878727 878728 878729 878730 878731 883424 883425 883426 883427
 883428 883429 883430 883431 883432 883433 883434 883435 883436 883437 883438 883439 883440 883441
 883452 883453 884739 884740 884741 884742 884743 890182 890183 890184 890185 890186 890187 890188
 890189 890190 890191 890192 890193 890194 890195 890196 890197 890198 890199 894206 894207 894208
 894209 894210 894211 894212 894213 894214 894215 894216 894217 894218 894219 894220 894221 894222
 894223 894224 894225 896029 896030 896031 896032 896033 899858 899859 899860 899861 899862 899863
 899864 899865 899866 899867 899868 899869 899870 899871 899872 899873 931962 937034 937035 937600
 937601 937602 937603 937604 937605 937606 937607 937608 937609 938435 938436 938437 938438 938439
 938440 938441 938442 938443 938444 938445 938446 938447 938448 938449 938470 938471 938472 938473
 938474 938475 938476 938477 938478 938479 943674 943675 943676 943677 943678 943679 943680 943681
 945205 945206 945207 945208 945209 945210 945211 945212 945213 945214 945215 945216 945217 945218
 945219 945220 945221 945222 945223 945224 945225 945226 945227 945228 945229 945230 945231 945232
 945233 945234 952791 952792 952793 952794 952795 952796 952797 952798 952799 952800 952801 952802
 952803 952804 952805 952806 952807 952808 952809 952810 952811 952812 952813 952814 952815 954499
 954500 954501 954502 955908 955909 955910 955911 955912 955913 955914 955915 955916 955917 955918
 955919 955920 955921 955922 964169 964170 964171 964172 964173 964174 964175 966916 966917 966918
 966919 966920 966921 966922 966923 966924 966925 966926 966927 966928 966929 966930 970265 970266
 970267 970268 970269 970270 970271 970272 970273 970274 970275 970276 970277 970278 970279 970280
 970281 970282 970283 970284 970285 970286 980031 980032 1010800 1010801 1010802 1010803 1010804
 1010805 1010806 1010807 1010918 1012168 1012169 1012170 1012171 1012172 1012173 1012174 1012175
 1012176 1012177 1012178 1012179 1012180 1012181 1013108 1013109 1013110 1013111 1013112 1013113
 1016671 1016672 1016673 1016674 1016675 1016676 1016677 1016678 1019391 1019392 1019393 1019394
 1019395 1021816 1021817 1021818 1021819 1021820 1021821 1021822 1021823 1021824 1021825 1021826
 1021827 1021828 1021829 1021830 1021831 1021832 1021833 1021834 1021835 1027891 1027892 1027893
 1027894 1027895 1027896 1027897 1027898 1027899 1027900 1027901 1027902 1027903 1027904 1027905
 1030706 1030707 1030708 1030709 1030710 1030711 1030712 1030713 1030714 1030715 1030716 1030717
 1030718 1030719 1030720 1030721 1030722 1030723 1030724 1030725 1030726 1030727 1030728 1030729
 1030730 1034693 1035296 1035297 1035298 1035299 1035543 1035544 1035545 1035546 1035547 1035548
 1039971 1039972 1039973 1039974 1039975

000 ©



4	01122154	1	cover
5	04192460	1	washer

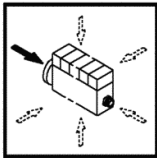
Section: ENGINE
INLET MANIFOLD

Fig.	Code	QTY	Name
------	------	-----	------

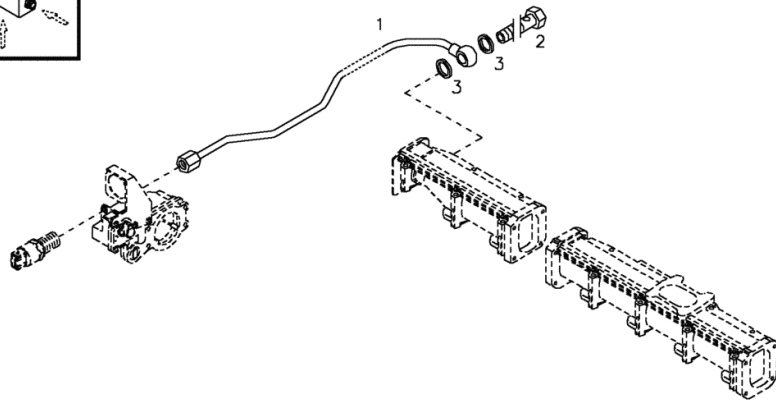
Engine Serial Numbers:

839260 839261 839262 839263 839264

1	04256880	1	sheath
2	01119237	1	pipe union DIN 007643- 6-4-A3L
3	01118659	2	'o' ring DIN 007603-A 10 X 13,5 -CU



001 ©



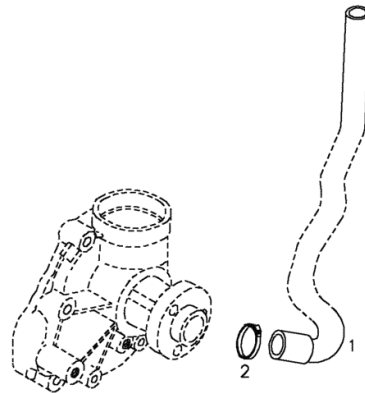
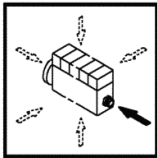
Section: ENGINE
COOLANT PIPE

Fig.	Code	QTY	Name
------	------	-----	------

Engine Serial Numbers:

839260 839261 839262 839263 839264 840652 840653 843516 843517 843518 843519 843520 843521 843522
 843523 843524 843525 843526 843527 843528 843529 843530 848132 848133 848134 848135 848136 848137
 848138 848139 848140 848141 848142 848143 848144 848145 848146 848147 848148 848149 848150 848151
 848152 848153 848154 848155 848156 848157 848333 848334 848335 848336 848337 848338 848339 848340
 848341 848342 848343 848344 848345 848346 848380 848381 848382 848383 848384 848385 848386 848387
 848388 848389 848390 848391 848392 848393 848394 860371 860372 860373 860374 860375 860376 860377
 860378 860379 860380 860381 860382 860383 860384 860385 860386 860387 860388 860389 860390 862318
 862319 862320 862321 862322 862323 862324 862325 862326 862327 862328 862329 862330 862331 862332
 862333 862334 862335 862336 862337 864840 864841 864842 864843 864844 864845 864846 864847 864848
 864849 864850 864851 864852 864853 864854 864855 864856 864857 864858 864859 866943 866944 866945
 866946 866947 866948 866949 866950 866951 866952 866953 866954 866955 866956 866957 872077 872078
 872079 872080 872081 872082 872083 872084 872085 872086 872087 872088 872089 872090 872091 872092
 872093 872094 872095 872096 873386 873387 873388 873389 873390 873391 873392 873393 873394 873395
 873396 876052 877636 877637 877638 877639 877640 877641 877642 877643 877644 877645 877646 877647
 877714 877715 877716 877717 877718 877719 878714 878715 878716 878717 878718 878719 878720 878721
 878722 878723 878724 878725 878726 878727 878728 878729 878730 878731 883424 883425 883426 883427
 883428 883429 883430 883431 883432 883433 883434 883435 883436 883437 883438 883439 883440 883441
 883452 883453 884739 884740 884741 884742 884743 890182 890183 890184 890185 890186 890187 890188
 890189 890190 890191 890192 890193 890194 890195 890196 890197 890198 890199 894206 894207 894208
 894209 894210 894211 894212 894213 894214 894215 894216 894217 894218 894219 894220 894221 894222
 894223 894224 894225 896029 896030 896031 896032 896033 899858 899859 899860 899861 899862 899863
 899864 899865 899866 899867 899868 899869 899870 899871 899872 899873 931962 937034 937035 937600
 937601 937602 937603 937604 937605 937606 937607 937608 937609 938435 938436 938437 938438 938439
 938440 938441 938442 938443 938444 938445 938446 938447 938448 938449 938470 938471 938472 938473
 938474 938475 938476 938477 938478 938479 943674 943675 943676 943677 943678 943679 943680 943681
 945205 945206 945207 945208 945209 945210 945211 945212 945213 945214 945215 945216 945217 945218
 945219 945220 945221 945222 945223 945224 945225 945226 945227 945228 945229 945230 945231 945232
 945233 945234 952791 952792 952793 952794 952795 952796 952797 952798 952799 952800 952801 952802
 952803 952804 952805 952806 952807 952808 952809 952810 952811 952812 952813 952814 952815 954499
 954500 954501 954502 955908 955909 955910 955911 955912 955913 955914 955915 955916 955917 955918
 955919 955920 955921 955922 964169 964170 964171 964172 964173 964174 964175 966916 966917 966918
 966919 966920 966921 966922 966923 966924 966925 966926 966927 966928 966929 966930 970265 970266
 970267 970268 970269 970270 970271 970272 970273 970274 970275 970276 970277 970278 970279 970280
 970281 970282 970283 970284 970285 970286 980031 980032 1010800 1010801 1010802 1010803 1010804
 1010805 1010806 1010807 1010918 1012168 1012169 1012170 1012171 1012172 1012173 1012174 1012175
 1012176 1012177 1012178 1012179 1012180 1012181 1013108 1013109 1013110 1013111 1013112 1013113
 1016671 1016672 1016673 1016674 1016675 1016676 1016677 1016678 1019391 1019392 1019393 1019394
 1019395 1021816 1021817 1021818 1021819 1021820 1021821 1021822 1021823 1021824 1021825 1021826
 1021827 1021828 1021829 1021830 1021831 1021832 1021833 1021834 1021835 1027891 1027892 1027893
 1027894 1027895 1027896 1027897 1027898 1027899 1027900 1027901 1027902 1027903 1027904 1027905
 1030706 1030707 1030708 1030709 1030710 1030711 1030712 1030713 1030714 1030715 1030716 1030717
 1030718 1030719 1030720 1030721 1030722 1030723 1030724 1030725 1030726 1030727 1030728 1030729
 1030730 1034693 1035296 1035297 1035298 1035299 1035543 1035544 1035545 1035546 1035547 1035548
 1039971 1039972 1039973 1039974 1039975

001 ©



1	04208131	1	piping
2	01173962	1	clamp Ø 20/32

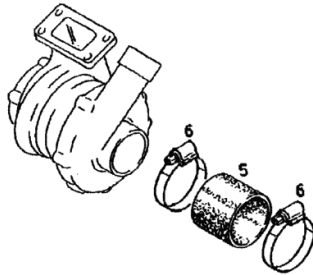
Section: ENGINE
ACCESSORIES

Fig.	Code	QTY	Name
------	------	-----	------

Engine Serial Numbers:

839260 839261 839262 839263 839264 840652 840653 843516 843517 843518 843519 843520 843521 843522
 843523 843524 843525 843526 843527 843528 843529 843530 848132 848133 848134 848135 848136 848137
 848138 848139 848140 848141 848142 848143 848144 848145 848146 848147 848148 848149 848150 848151
 848152 848153 848154 848155 848156 848157 848333 848334 848335 848336 848337 848338 848339 848340
 848341 848342 848343 848344 848345 848346 848380 848381 848382 848383 848384 848385 848386 848387
 848388 848389 848390 848391 848392 848393 848394 860371 860372 860373 860374 860375 860376 860377
 860378 860379 860380 860381 860382 860383 860384 860385 860386 860387 860388 860389 860390 862318
 862319 862320 862321 862322 862323 862324 862325 862326 862327 862328 862329 862330 862331 862332
 862333 862334 862335 862336 862337 864840 864841 864842 864843 864844 864845 864846 864847 864848
 864849 864850 864851 864852 864853 864854 864855 864856 864857 864858 864859 866943 866944 866945
 866946 866947 866948 866949 866950 866951 866952 866953 866954 866955 866956 866957 872077 872078
 872079 872080 872081 872082 872083 872084 872085 872086 872087 872088 872089 872090 872091 872092
 872093 872094 872095 872096 873386 873387 873388 873389 873390 873391 873392 873393 873394 873395
 873396 876052 877636 877637 877638 877639 877640 877641 877642 877643 877644 877645 877646 877647
 877714 877715 877716 877717 877718 877719 878714 878715 878716 878717 878718 878719 878720 878721
 878722 878723 878724 878725 878726 878727 878728 878729 878730 878731 883424 883425 883426 883427
 883428 883429 883430 883431 883432 883433 883434 883435 883436 883437 883438 883439 883440 883441
 883452 883453 884739 884740 884741 884742 884743 890182 890183 890184 890185 890186 890187 890188
 890189 890190 890191 890192 890193 890194 890195 890196 890197 890198 890199 894206 894207 894208
 894209 894210 894211 894212 894213 894214 894215 894216 894217 894218 894219 894220 894221 894222
 894223 894224 894225 896029 896030 896031 896032 896033 899858 899859 899860 899861 899862 899863
 899864 899865 899866 899867 899868 899869 899870 899871 899872 899873 931962 937034 937035 937600
 937601 937602 937603 937604 937605 937606 937607 937608 937609 938435 938436 938437 938438 938439
 938440 938441 938442 938443 938444 938445 938446 938447 938448 938449 938470 938471 938472 938473
 938474 938475 938476 938477 938478 938479 943674 943675 943676 943677 943678 943679 943680 943681
 945205 945206 945207 945208 945209 945210 945211 945212 945213 945214 945215 945216 945217 945218
 945219 945220 945221 945222 945223 945224 945225 945226 945227 945228 945229 945230 945231 945232
 945233 945234 952791 952792 952793 952794 952795 952796 952797 952798 952799 952800 952801 952802
 952803 952804 952805 952806 952807 952808 952809 952810 952811 952812 952813 952814 952815 954499
 954500 954501 954502 955908 955909 955910 955911 955912 955913 955914 955915 955916 955917 955918
 955919 955920 955921 955922 964169 964170 964171 964172 964173 964174 964175 966916 966917 966918
 966919 966920 966921 966922 966923 966924 966925 966926 966927 966928 966929 966930 970265 970266
 970267 970268 970269 970270 970271 970272 970273 970274 970275 970276 970277 970278 970279 970280
 970281 970282 970283 970284 970285 970286 980031 980032 1010800 1010801 1010802 1010803 1010804
 1010805 1010806 1010807 1010918 1012168 1012169 1012170 1012171 1012172 1012173 1012174 1012175
 1012176 1012177 1012178 1012179 1012180 1012181 1013108 1013109 1013110 1013111 1013112 1013113
 1016671 1016672 1016673 1016674 1016675 1016676 1016677 1016678 1019391 1019392 1019393 1019394
 1019395 1021816 1021817 1021818 1021819 1021820 1021821 1021822 1021823 1021824 1021825 1021826
 1021827 1021828 1021829 1021830 1021831 1021832 1021833 1021834 1021835 1027891 1027892 1027893
 1027894 1027895 1027896 1027897 1027898 1027899 1027900 1027901 1027902 1027903 1027904 1027905
 1030706 1030707 1030708 1030709 1030710 1030711 1030712 1030713 1030714 1030715 1030716 1030717
 1030718 1030719 1030720 1030721 1030722 1030723 1030724 1030725 1030726 1030727 1030728 1030729
 1030730 1034693 1035296 1035297 1035298 1035299 1035543 1035544 1035545 1035546 1035547 1035548
 1039971 1039972 1039973 1039974 1039975

1000 ©

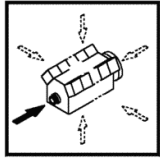


0505 0439

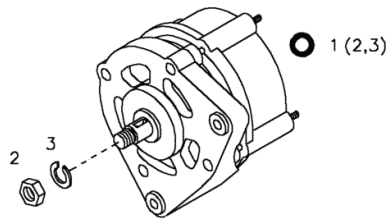
5	01175634	1	sleeve 51x58x60
6	01173971	2	hose clip Ø 40/60

Section: ENGINE
GENERATOR

Fig.	Code	QTY	Name
2	01131115	1	nut
3	01103952	1	spring disc
950	03040715	1	alternator 95 A RECONDITIONED PART - FOR NEW PART SEE POS. (A) COMPLETE WITH POSITION .. (2-3) (A) POS. 1



003 ©



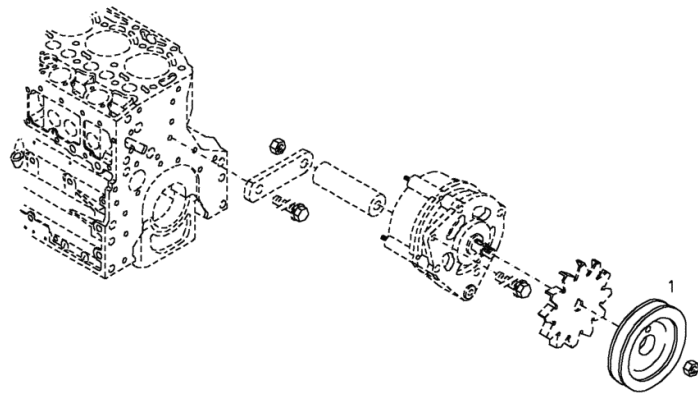
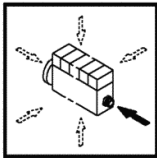
Section: ENGINE
V-GROOVED PULLEY

Fig.	Code	QTY	Name
------	------	-----	------

Engine Serial Numbers:

1030706 1030707 1030708 1030709 1030710 1030711 1030712 1030713 1030714 1030715 1030716 1030717
 1030718 1030719 1030720 1030721 1030722 1030723 1030724 1030725 1030726 1030727 1030728 1030729
 1030730 1034693 1035296 1035297 1035298 1035299 1035543 1035544 1035545 1035546 1035547 1035548
 1039971 1039972 1039973 1039974 1039975

1	04207924	1	pulley
---	----------	---	--------



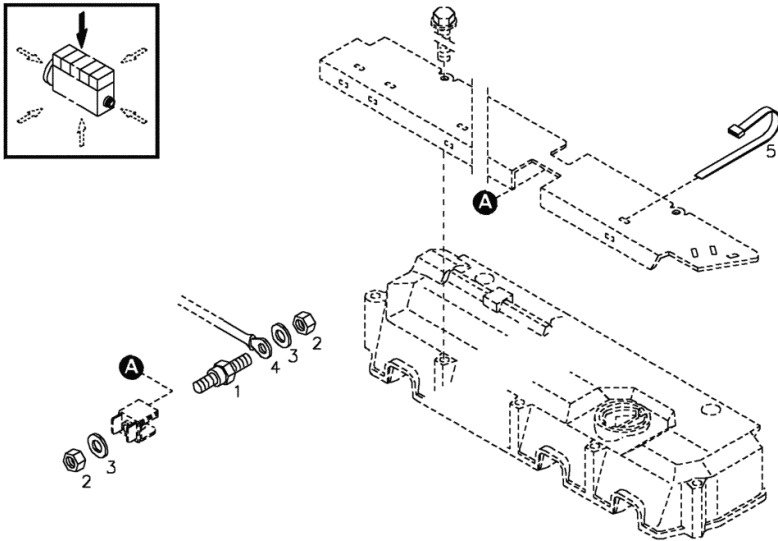
000 ©

Section: ENGINE
FASTENINGS

Fig.	Code	QTY	Name
------	------	-----	------

Engine Serial Numbers:

839260 839261 839262 839263 839264 840652 840653 843516 843517 843518 843519 843520 843521 843522
 843523 843524 843525 843526 843527 843528 843529 843530 848132 848133 848134 848135 848136 848137
 848138 848139 848140 848141 848142 848143 848144 848145 848146 848147 848148 848149 848150 848151
 848152 848153 848154 848155 848156 848157 848333 848334 848335 848336 848337 848338 848339 848340
 848341 848342 848343 848344 848345 848346 848380 848381 848382 848383 848384 848385 848386 848387
 848388 848389 848390 848391 848392 848393 848394 860371 860372 860373 860374 860375 860376 860377
 860378 860379 860380 860381 860382 860383 860384 860385 860386 860387 860388 860389 860390 862318
 862319 862320 862321 862322 862323 862324 862325 862326 862327 862328 862329 862330 862331 862332
 862333 862334 862335 862336 862337 864840 864841 864842 864843 864844 864845 864846 864847 864848
 864849 864850 864851 864852 864853 864854 864855 864856 864857 864858 864859 866943 866944 866945
 866946 866947 866948 866949 866950 866951 866952 866953 866954 866955 866956 866957 872077 872078
 872079 872080 872081 872082 872083 872084 872085 872086 872087 872088 872089 872090 872091 872092
 872093 872094 872095 872096 873386 873387 873388 873389 873390 873391 873392 873393 873394 873395
 873396 876052 877636 877637 877638 877639 877640 877641 877642 877643 877644 877645 877646 877647
 877714 877715 877716 877717 877718 877719 878714 878715 878716 878717 878718 878719 878720 878721
 878722 878723 878724 878725 878726 878727 878728 878729 878730 878731 883424 883425 883426 883427
 883428 883429 883430 883431 883432 883433 883434 883435 883436 883437 883438 883439 883440 883441
 883452 883453 884739 884740 884741 884742 884743 890182 890183 890184 890185 890186 890187 890188
 890189 890190 890191 890192 890193 890194 890195 890196 890197 890198 890199 894206 894207 894208
 894209 894210 894211 894212 894213 894214 894215 894216 894217 894218 894219 894220 894221 894222
 894223 894224 894225 896029 896030 896031 896032 896033 899858 899859 899860 899861 899862 899863
 899864 899865 899866 899867 899868 899869 899870 899871 899872 899873 931962 937034 937035 937600
 937601 937602 937603 937604 937605 937606 937607 937608 937609 938435 938436 938437 938438 938439
 938440 938441 938442 938443 938444 938445 938446 938447 938448 938449 938470 938471 938472 938473
 938474 938475 938476 938477 938478 938479 943674 943675 943676 943677 943678 943679 943680 943681
 945205 945206 945207 945208 945209 945210 945211 945212 945213 945214 945215 945216 945217 945218
 945219 945220 945221 945222 945223 945224 945225 945226 945227 945228 945229 945230 945231 945232
 945233 945234 952791 952792 952793 952794 952795 952796 952797 952798 952799 952800 952801 952802
 952803 952804 952805 952806 952807 952808 952809 952810 952811 952812 952813 952814 952815 954499
 954500 954501 954502 955908 955909 955910 955911 955912 955913 955914 955915 955916 955917 955918
 955919 955920 955921 955922 964169 964170 964171 964172 964173 964174 964175 966916 966917 966918
 966919 966920 966921 966922 966923 966924 966925 966926 966927 966928 966929 966930 970265 970266
 970267 970268 970269 970270 970271 970272 970273 970274 970275 970276 970277 970278 970279 970280
 970281 970282 970283 970284 970285 970286 980031 980032 1010800 1010801 1010802 1010803 1010804
 1010805 1010806 1010807 1010918 1012168 1012169 1012170 1012171 1012172 1012173 1012174 1012175
 1012176 1012177 1012178 1012179 1012180 1012181 1013108 1013109 1013110 1013111 1013112 1013113
 1016671 1016672 1016673 1016674 1016675 1016676 1016677 1016678 1019391 1019392 1019393 1019394
 1019395 1021816 1021817 1021818 1021819 1021820 1021821 1021822 1021823 1021824 1021825 1021826
 1021827 1021828 1021829 1021830 1021831 1021832 1021833 1021834 1021835 1027891 1027892 1027893
 1027894 1027895 1027896 1027897 1027898 1027899 1027900 1027901 1027902 1027903 1027904 1027905
 1030706 1030707 1030708 1030709 1030710 1030711 1030712 1030713 1030714 1030715 1030716 1030717
 1030718 1030719 1030720 1030721 1030722 1030723 1030724 1030725 1030726 1030727 1030728 1030729
 1030730 1034693 1035296 1035297 1035298 1035299 1035543 1035544 1035545 1035546 1035547 1035548
 1039971 1039972 1039973 1039974 1039975



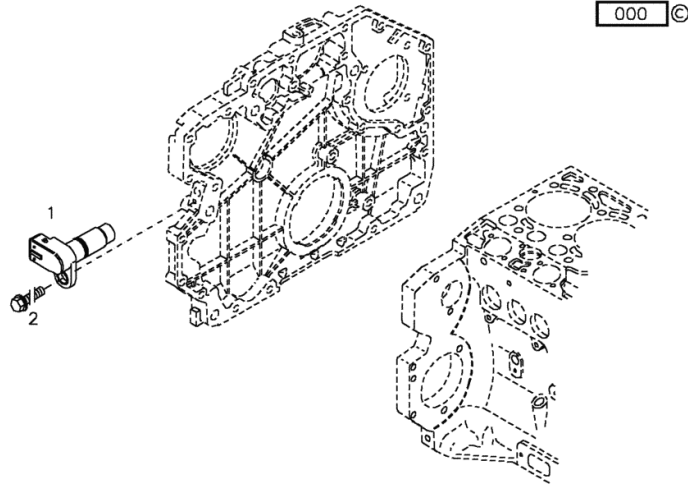
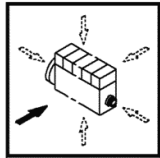
002 ©

1	04199292	2	pin
2	01112810	4	nut

Section: ENGINE
IMPULSE TRANSMITTER

Fig.	Code	QTY	Name
------	------	-----	------

EN 1662 -F-M6X16-10.9-ZNAL-A



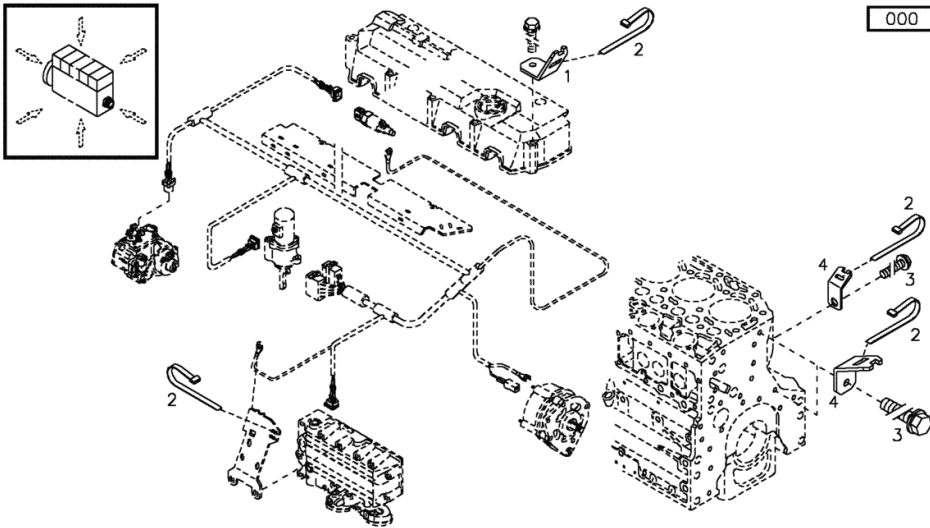
Section: ENGINE
FASTENINGS

Fig.	Code	QTY	Name
------	------	-----	------

Engine Serial Numbers:

937034 937035 937600 937601 937602 937603 937604 937605 937606 937607 937608 937609 938435 938436
 938437 938438 938439 938440 938441 938442 938443 938444 938445 938446 938447 938448 938449 938470
 938471 938472 938473 938474 938475 938476 938477 938478 938479 943674 943675 943676 943677 943678
 943679 943680 943681

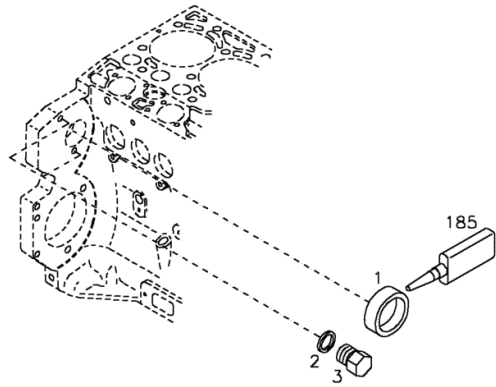
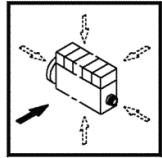
1	04199094	1	consolle
2	01176435	11	clamp
3	01143382	7	screw
4	02249331	7	consolle



Section: ENGINE

CLOSING COMPONENTS

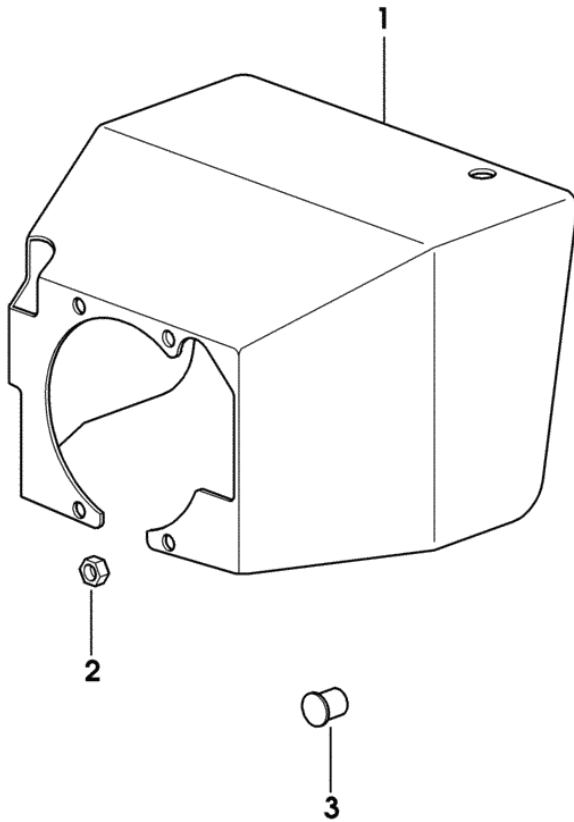
Fig.	Code	QTY	Name
3	01181401	2	screw
185	01016127	1	sealing compound ml. 50



003 ©

P.T.O. SHAFT PROTECTOR REAR

Fig.	Code	QTY	Name
1	04419617/10	1	guard
2	01112824	4	nut m 8, d934
3	01167319	21	bottom



9_95336_20_0_0

Section: FRONT AXEL

FRONT CARRIER SUSPENSION SYSTEM

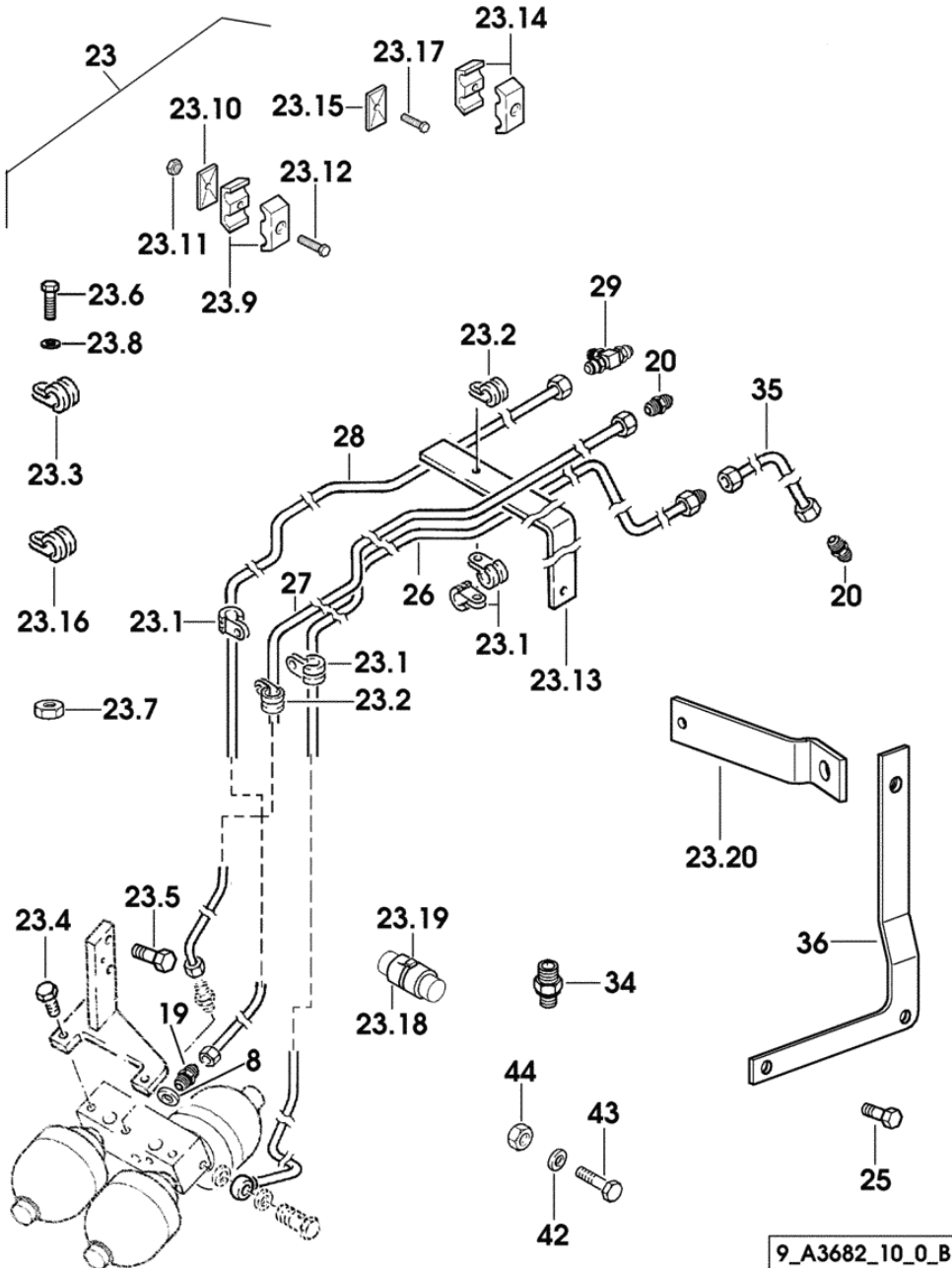


Fig.	Code	QTY	Name
8	01138374	4	washer 8,4x21x4
19	01177226	3	pipe fitting m 18 p.1.5 x 15
20	01180558	2	pipe fitting M 16X1.5X10
23	04437840.4	1	kit
23.1	01220008	4	hose clip B10X20
23.2	01212670	3	hose clip B10X15
23.3	01179680	4	clamp A15X15
23.4	01139931	2	screw m 10 x 25
23.5	01112529	2	screw m 12 x 30, d933
23.6	01103316	3	screw m 6 p.1.0 x 16
23.7	01127079	2	nut m 6
23.8	01178434	2	washer 13X21X1.5
23.9	01175727	2	terminal
23.10	01175670	1	small plate
23.11	01112824	1	nut m 8, d934
23.12	01124457	1	screw m 8 x 45
23.13	04426998	1	console
23.14	01175615	4	terminal Ø 16
23.15	01178734	3	small plate
23.16	01172129	2	terminal B8X15
23.17	01112279	1	screw m 6 p.1 x 40
23.18	02382224	1	sleeve 12
23.19	01172065	1	clamp 4.6 x 146
23.20	04436639	1	support
25	04418656	2	screw
26	04437821	1	pipng
27	04437822	1	tube
28	04437823	1	tube
29	04427045	1	pipe fitting T
34	01179243	1	pipe fitting M 14X1.5X10
35	04450489	1	pipng
36	04438092	1	support
42	01119817	1	washer
43	01123749	1	screw m 6 x 25
44	01127079	1	nut m 6

9_A3682_10_0_B

DIFFERENTIAL LOCK CONTROL - FOR TYPES WITH "ASM SYSTEM" ZF

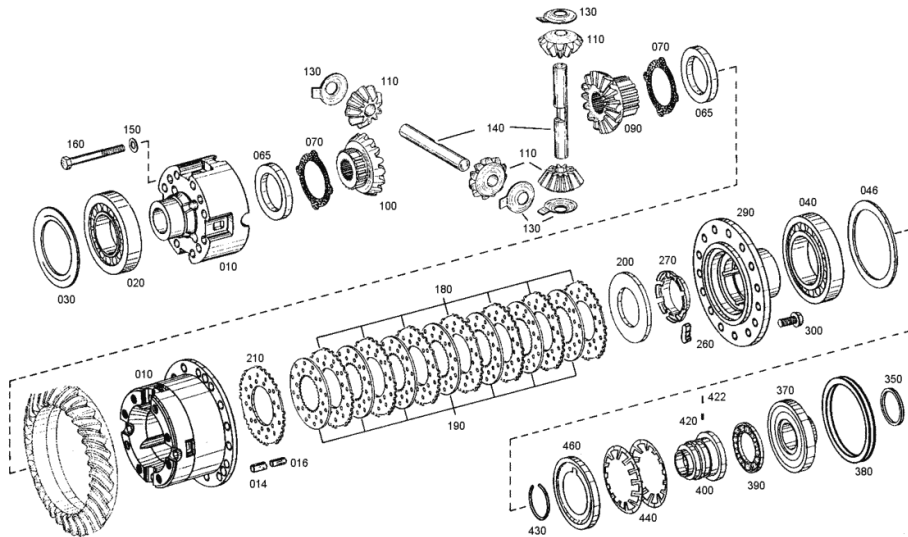


Fig.	Code	QTY	Name
180	04415162	7	thin plate mm 1.4
180	04415163	7	thin plate mm 1.5
180	04415164	7	thin plate mm 1.6
180	04415165	7	thin plate mm 1.7
180	04415166	7	thin plate mm 1.8
190	04415167	7	thin plate
200	04415184	1	pressure plate
210	04415183	1	washer
260	04415182	8	lever
270	04415181	1	roller cage
290	04415180	1	cover
300	04415388	15	screw m 10 p.1.25 x 30
350	04415178	1	ring 50.16x5.33
370	04415179	1	piston
380	04415185	1	ring 107.30x5.33
390	04415186	1	bearing
400	04415187	1	sleeve
420	0.010.2941.0	1	pin 5x10
422	0.010.2941.1	1	pin 3x10
430	0.010.2941.2	1	circlip
440	04415188	2	spring
460	04415189	1	shim

Section: FRONT AXEL

HALF-SHAFTS AND STUB AXLE HOUSING - FOR TYPES WITH "ASM SYSTEM"

ZF

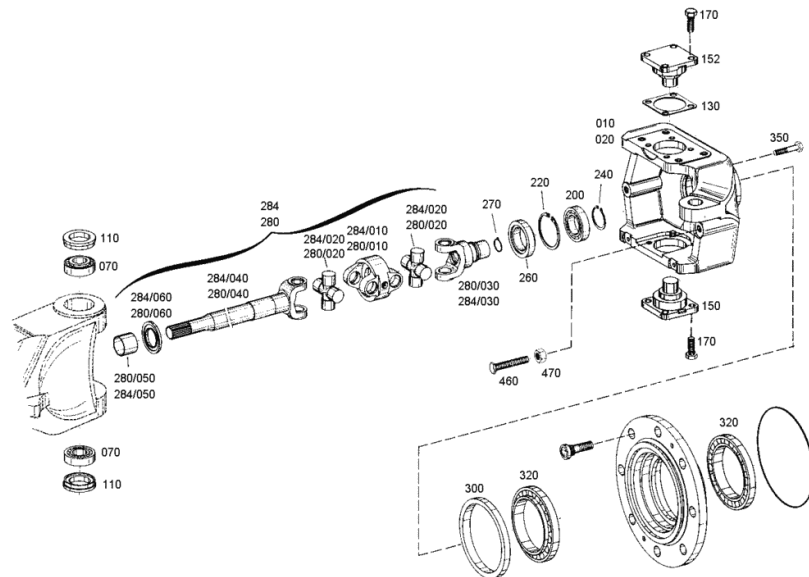


Fig.	Code	QTY	Name
10	04415064	1	body sx/lh/li
20	04415065	1	body dx/rh/re
70	01175920	4	roller bearing
110	0.010.2931.1	4	rubber plug
130	04415106	2	shim A = 0.2
130	04415107	2	shim A = 0.3
130	0.010.2934.1	2	disc A = 0.4
130	0.010.2934.0	2	disc A = 0.6
130	0.010.2933.2	2	disc A = 0.8
130	04415108	2	shim A = 1.0
130	0.010.2934.2	2	disc A = 1.4
130	04415109	2	shim A = 1.6
130	0.010.2933.1	2	disc A = 1.8
130	04415110	2	shim A = 2.0
130	0.010.2933.0	2	disc A = 0.5
130	0.010.2932.2	2	disc A = 0.7
130	0.010.2932.1	2	disc A = 0.9
130	0.010.2931.2	2	disc A = 1.1
130	0.010.2932.0	2	disc A = 1.2
130	0.010.2935.0	2	disc A = 1.3
150	04415111	3	pin
152	04415112	1	pin
170	0.010.2935.1	16	screw m 12 x 30
200	04415113	2	ball bearing
220	0.010.2624.0	2	circlip 90x3
240	0.010.2888.1	2	circlip 55 x 2.0
260	0.900.0078.9	2	'o' ring
270	04415122	2	circlip
280	04415115.4	1	half-shaft dx/rh/re
280.10	04415124	1	support
280.20	04415125	2	universal joint
280.30	04415126	1	fork
280.40	04415127	1	joint dx/rh/re
280.50	0.010.3094.2	1	bushing
280.60	0.010.3095.0	1	ring
284	04415116.4	1	half-shaft sx/lh/li
284.10	04415124	1	support
284.20	04415125	2	universal joint
284.30	04415126	1	fork
284.40	04415128	1	joint sx/lh/li
284.50	0.010.3094.2	1	bushing
284.60	0.010.3095.0	1	ring

FRONT HYDRAULIC POWER-LIFT

Fig.	Code	QTY	Name
0	0.000.0000.1	0	not serviceable

Catalogo ricambi originali

Original parts catalogue

Catalogue pièces d'origine

Original Ersatzteilkatalog

Catálogo peças originais

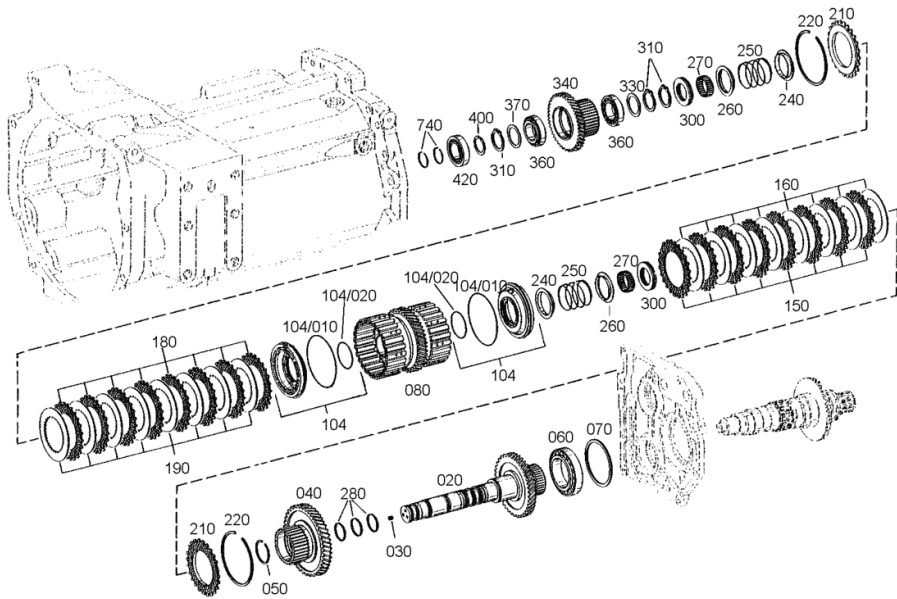
**FIRMA HANS SAUTER GMBH
LANDTECHNIK-STAHLBAU
AUERBACHWEG 13
D 87778 STETTEN**

TEL: 08261/759940

FAX: 08261/7599420

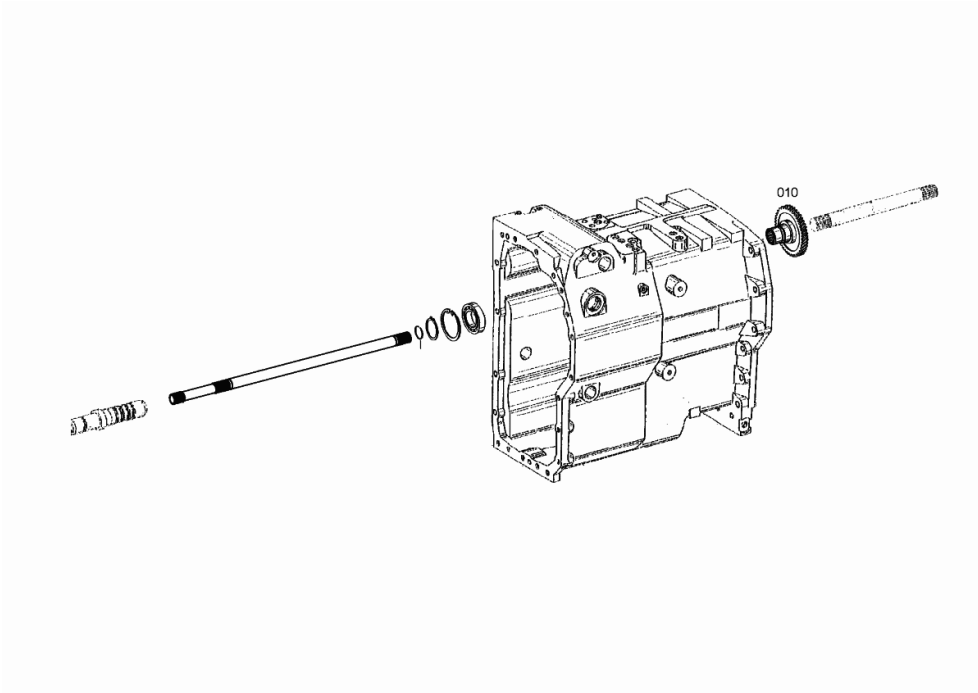
Section: GEAR
POWERSHIFT

Fig.	Code	QTY	Name
20	04417239	1	shaft Z = 44
30	04416947	2	grain m 8x8
40	04427565	1	bearing z = 36/43
50	04416966	1	ring SW 50
60	04415989	1	bearing
70	04417057	1	washer mm 2.70
70	04417058	1	washer mm 2.65
70	04417059	1	washer mm 2.60
70	04417060	1	washer mm 2.55
70	04417061	1	washer mm 2.50
70	04417062	1	washer mm 2.45
70	04417063	1	washer mm 2.40
70	04417064	1	washer mm 2.35
70	04417065	1	washer mm 2.30
70	04417066	1	washer mm 2.25
70	04417067	1	washer mm 2.20
70	04417068	1	washer mm 2.15
70	04417069	1	washer mm 2.10
70	04417070	1	washer mm 2.05
70	04417071	1	washer mm 2.0
70	04417072	1	washer mm 1.95
70	04417073	1	washer mm 1.9
70	04417074	1	washer mm 1.85
70	04417075	1	washer mm 1.80
80	04423368	1	support
104	04431746	4	piston
104.10	04419762	4	'o' ring 104x3
104.20	04419763	4	'o' ring 50x3
150	04416760	8	clutch disc AV 35
160	04416967	8	clutch disc
180	04416760	8	clutch disc AV 35
190	04416967	8	clutch disc
210	04416763	4	disc
220	04416765	4	circlip A = 2.0
220	04416766	4	circlip A = 2.5
220	04416767	4	circlip A = 3.0
220	04416768	4	circlip A = 3.5
240	04416758	4	ring
250	04416759	4	spring
260	04416954	4	ring
270	04416955	4	roller cage
280	04416956	6	ring 38/35.2x2
300	04416957	4	bearing
310	04416951	7	circlip



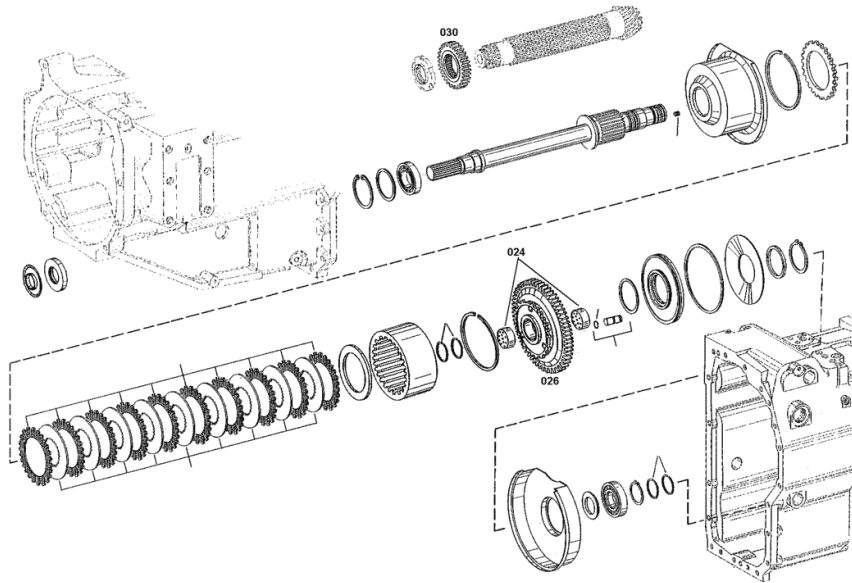
Section: GEAR
P.T.O. SHAFT

Fig.	Code	QTY	Name
10	04415801	1	gear wheel Z = 46 (...) <-
10	0.010.3843.0	1	gear Z = 46 -> (...)



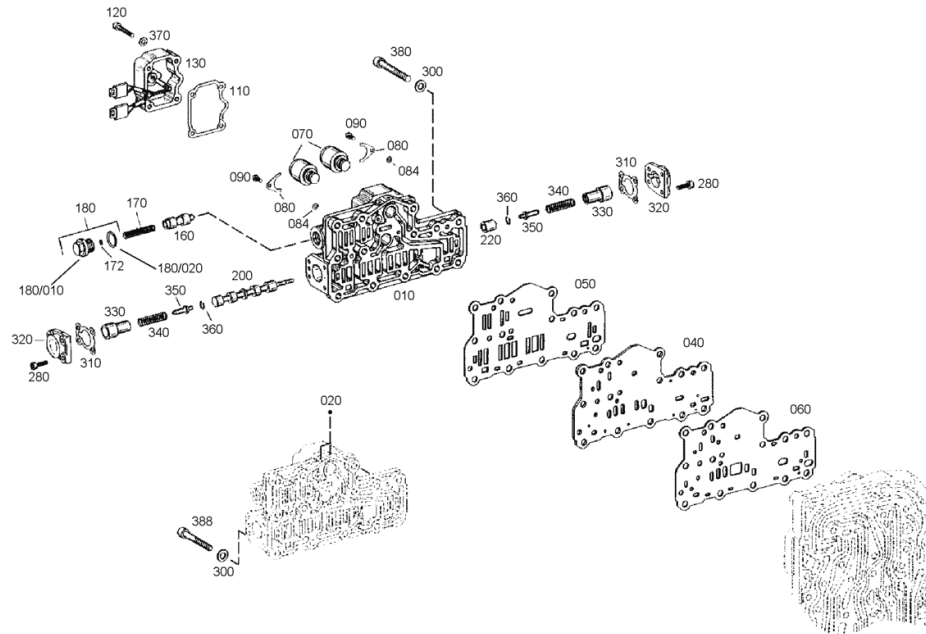
Section: GEAR
FRONT TRANSMISSION

Fig.	Code	QTY	Name
24	04434385	2	bushing
26	0.010.2875.1	1	gear Z = 68
30	04416807	1	gear z = 33



Section: GEAR
HYDRAULIC CONTROL

Fig.	Code	QTY	Name
380	04416701	12	screw m 8 x 65
388	04416987	1	screw M8x60



Section: GEAR
CLUTCH

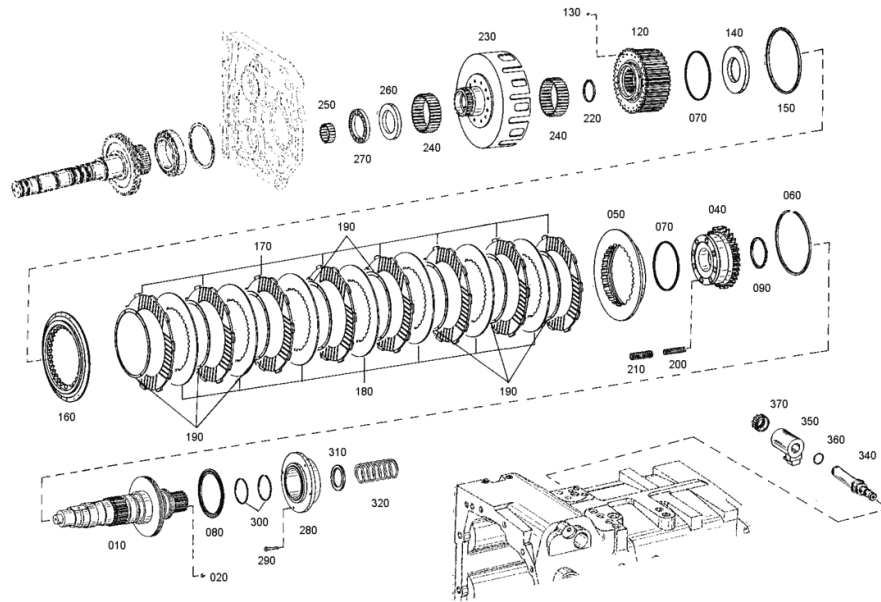
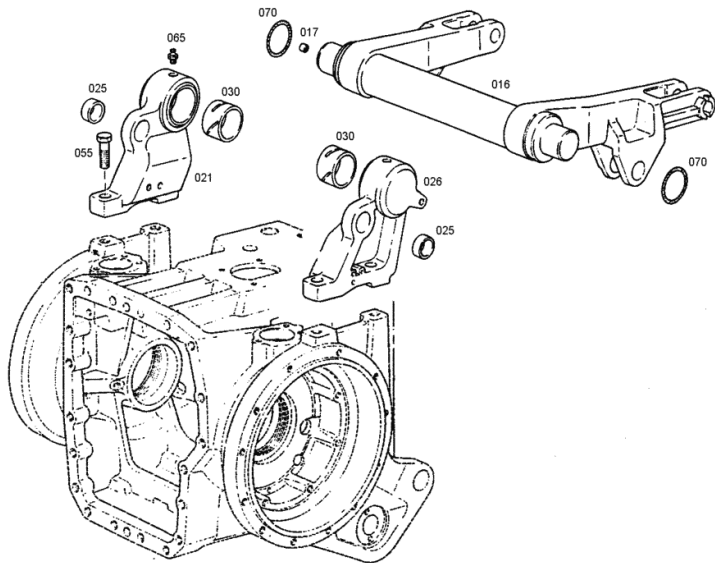


Fig.	Code	QTY	Name
150	04439014	1	washer mm 2.50
160	04416788	1	disc
170	04419769	8	disc Z = 10
180	04416795	7	thin plate
190	04416796	8	stop
200	04431764	8	spring
210	04431765	8	spring
220	0.010.2609.0	1	circlip 50x3
230	04433546	1	clutch body
240	04417001	2	roller cage
250	04415815	1	roller cage
260	04417192	1	ring mm 6.90
270	04433612	1	bearing
280	04435184	1	ring
290	04435185	4	screw m 8 x 40
300	04431754	2	'o' ring
310	04435722	1	washer mm 3.3
310	04435723	1	washer mm 3.4
310	04435727	1	washer mm 3.5
310	04435729	1	washer mm 3.6
310	04435730	1	washer mm 3.7
310	04435731	1	washer mm 3.8
310	04435732	1	washer mm 3.9
310	04436241	1	washer mm 4.0
310	04435734	1	washer mm 4.1
310	04435728	1	washer mm 4.2
310	04435735	1	washer mm 4.3
310	04435736	1	washer mm 4.4
310	0.010.2911.1	1	washer mm 2.8
310	0.010.2911.2	1	washer mm 2.9
310	0.010.2912.0	1	washer mm 3.0
310	0.010.2912.1	1	washer mm 3.1
310	0.010.2912.2	1	washer mm 3.2
320	04435183	1	spring
340	04434424	1	regulator
350	04434425	1	electromagnet
360	04434427	1	'o' ring
370	04434426	1	nut

Section: GEAR

LIFTING

Fig.	Code	QTY	Name
16	0.010.2907.0	1	shaft
17	04417546	1	bushing
21	04436311	1	bearing block dx/rh/re
25	0.010.3844.1	2	bearing
26	04436312	1	bearing block sx/lh/li
30	04417549	2	bushing
55	04417550	4	screw m 20x65
65	04427636	2	lubricator m 8 p.1 x 8
70	04417552	2	ring 78.5x6



Section: S.A.C.
AGROTRONIC

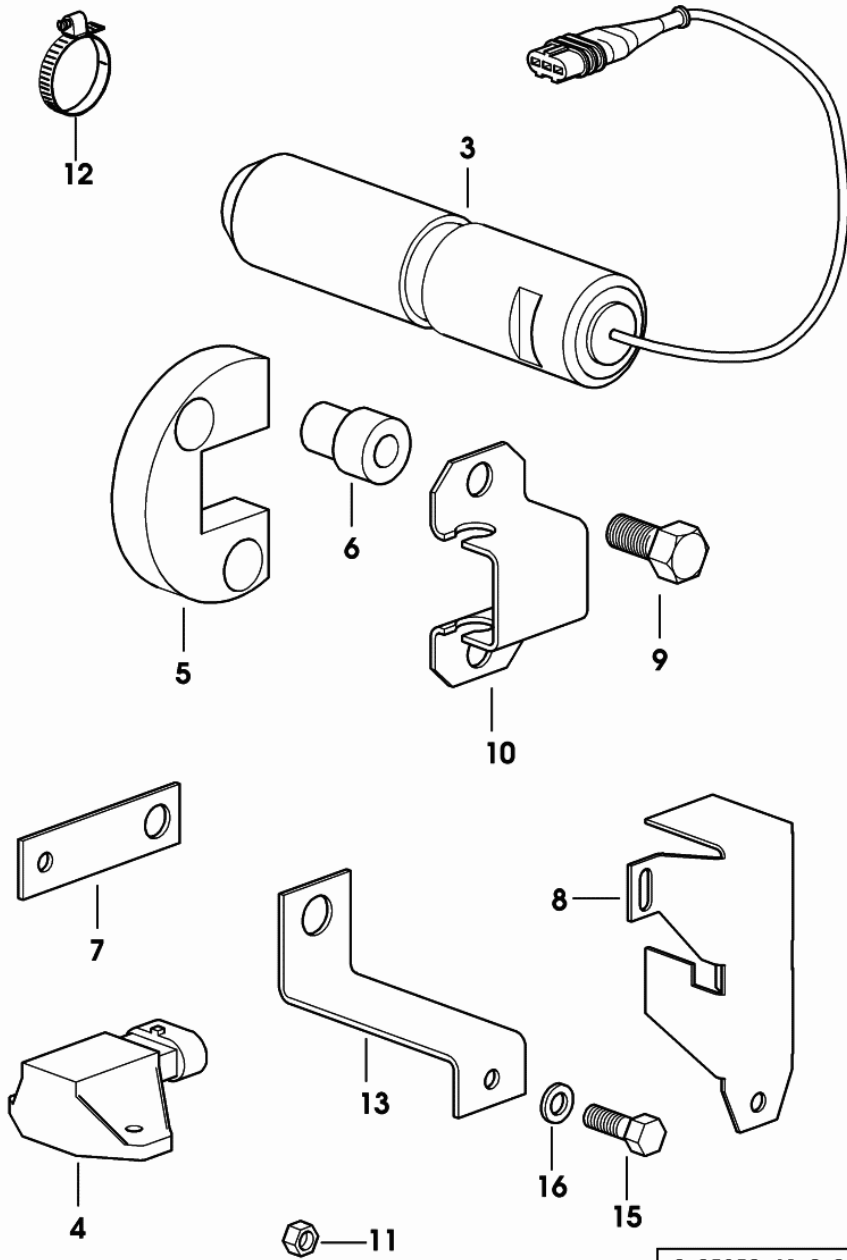
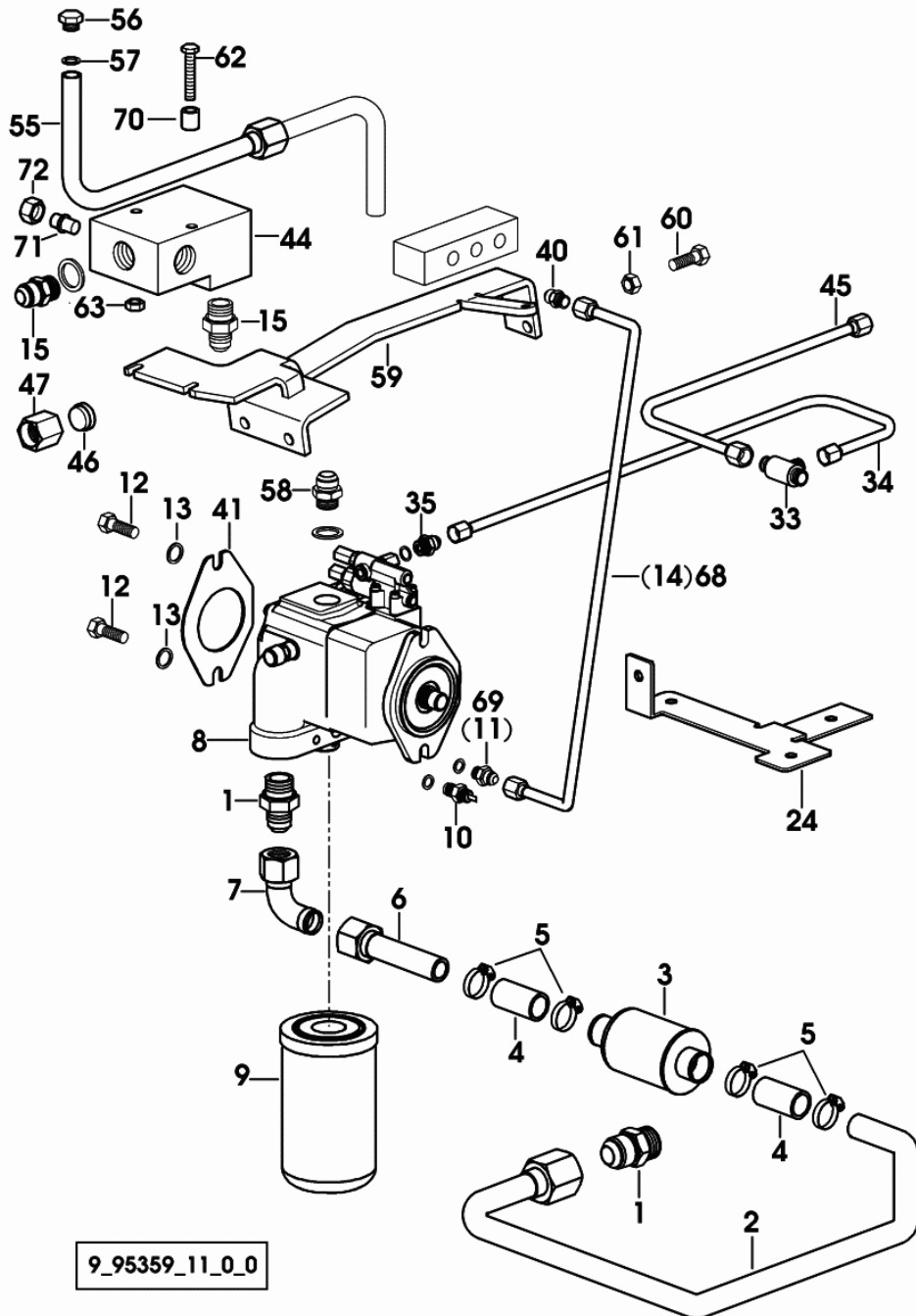


Fig.	Code	QTY	Name
3	2.7099.984.0	2	position sensor
4	04438667.0	1	position sensor
5	04419521/10	2	stop
6	04419522	4	spacer
7	04419547	2	bracket
8	04422886	1	lamination
9	01112451	4	screw m 10 p.1.5 x 45
10	04419546	2	support
11	01112858	4	nut m 12, d934
12	04419549	4	clamp
13	04423693	4	support
15	01127018	2	screw m4x16 d933
16	01126742	2	washer m 8

9_95359_61_0_0

OIL SUPPLY - LOAD SENSING



9_95359_11_0_0

Fig.	Code	QTY	Name
1	01180563	2	tongue m 42x2
2	04437443	1	tube
3	04427006	1	filter
4	04427005	2	sleeve
5	01173969	4	clamp 32-50
6	04437444	1	tube
7	04436646	1	tongue
8	04432500/10	1	hydraulic pump COMPONENT PARTS SEE COMPONENTS LIST ☞ 04432500/10 ☞ 04432500/10 ☞ 04432500/10 ☞ 06.00.13 ☞ 06.00.12 ☞ 06.00.11
9	04437773.4	1	oil filter COMPONENT PARTS SEE COMPONENTS LIST ☞ 04437773.4 ☞ 06.00.14
10	01180413	1	pressure switch
12	01110762	2	screw m 12 x 35
13	01107110	2	washer 13.5
15	04433378	3	tongue m 33 p.2x25
24	04450542	1	support
33	04427045	1	pipe fitting T
34	04437451	1	tube
35	04433392	1	tongue
40	01177226	1	pipe fitting m 18 p.1.5 x 15
41	04412251	1	gasket S = 0.30
44	04450313/10	1	distributor
45	04437463	1	tube
46	04433376	1	nut
47	01103555	1	nut
55	04436616/10	1	pipng
56	01118989	1	plug
57	01118784	1	'o' ring 30x36x2 d7603
58	04450497	1	tongue
59	04450328.4	1	support
60	01112529	1	screw m 12 x 30, d933
61	01112858	1	nut m 12, d934
62	01111186	2	screw m 8 x 75
63	01112824	2	nut m 8, d934

HYDR. BRAKING WITHOUT LOAD SENSING PUMP

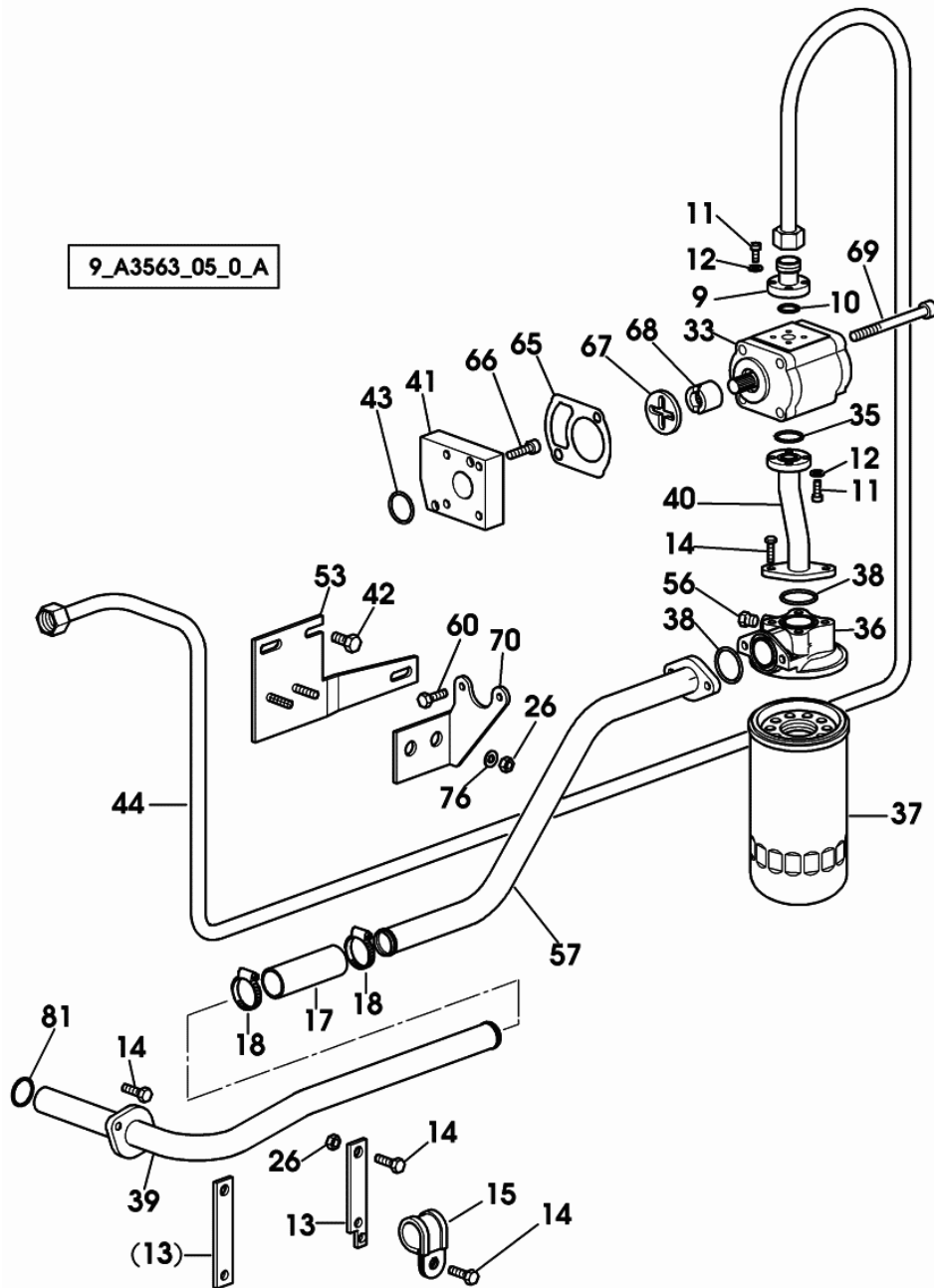
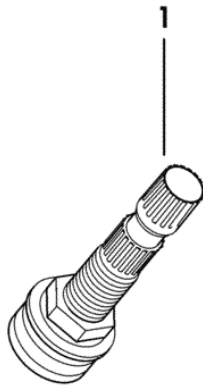


Fig.	Code	QTY	Name
9	04450491	1	flange
10	06214809	1	'o' ring 18x2,5
11	01110515	8	screw m 6 x 20
12	01102797	8	washer 6, d128
13	04450325	1	support 1641 <- X Agrotron 130 1490 <- X Agrotron 140 1345 <- X Agrotron 155 6460 <- X Agrotron 165
13	04453484.2	1	bracket -> 1642 X Agrotron 130 -> 1491 X Agrotron 140 -> 1346 X Agrotron 155 -> 6461 X Agrotron 165
14	01129110	6	screw m 8 p.1.25 x 20
15	01213283	1	clamp Ø 20/28
17	06261568	1	flexible hose Ø 28.6 / L = mm 200
18	01166378	4	hose clip Ø15/38
26	01112824	4	nut m 8, d934
33	2.4539.310.0	1	hydraulic pump 16cc sx/lh/li - BOSCH COMPONENT PARTS SEE COMPONENTS LIST ☞ 2.4539.310.0 ☞ 06.00.15
35	04361481	1	ring 26x2.5
36	2.4419.350.1/40	1	head
37	2.4419.350.0	1	hydr.oil filter elem FT 4944
38	2.1530.095.0	2	'o' ring 36.14x2.62
39	04450573	1	pipng
40	04450551/10	1	pipng
41	04450541	1	power control
42	01112407	3	screw m 10 x 20, d933
43	04450506	1	'o' ring
44	04450556	1	pipng
53	04450560.4	1	support
56	04450524	1	plug
57	04450547	1	pipng
60	01113390	2	screw m 8 x 25
65	02239230	1	gasket
67	04450538	1	coupling
68	04450539	1	hub
69	01122365	2	screw M 10X110
70	04450552	1	support

TYRE VALVE

Fig.	Code	QTY	Name
1	0.012.6364.0	4	valve

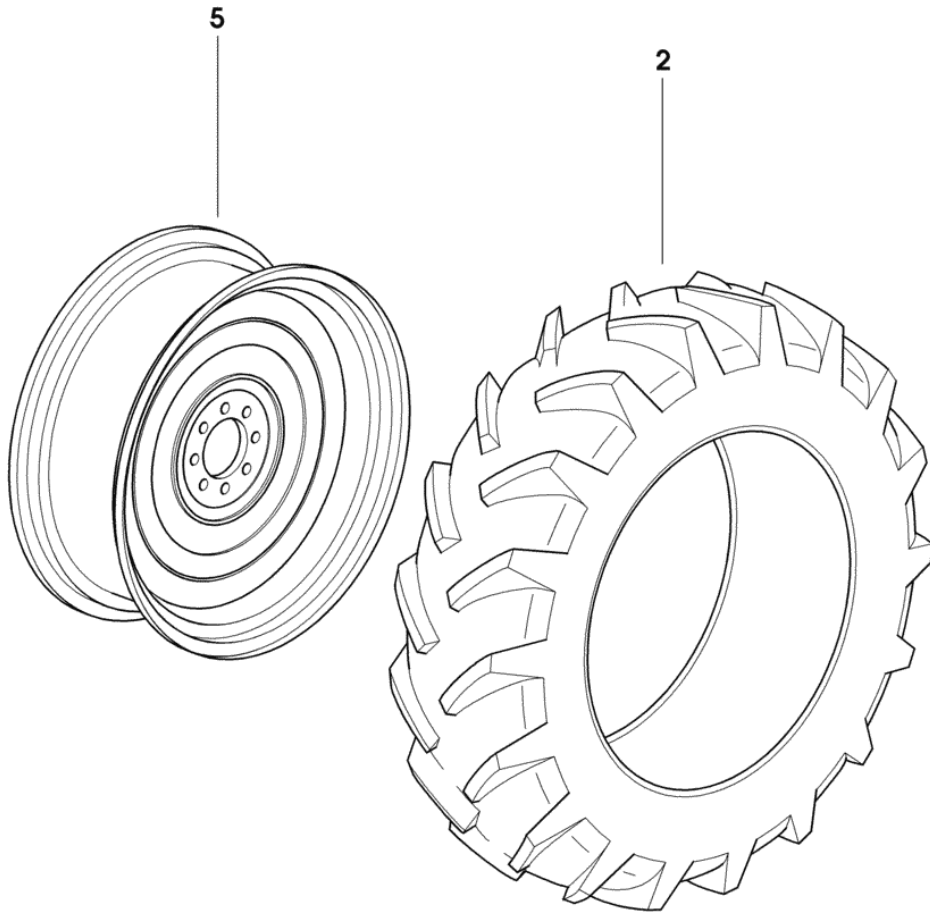


9_95055_03_0_0

Section: WHEELS

WHEELS 600/65R38" 147 A8

Fig.	Code	QTY	Name
2	04392185	2	tyre 600/65R38" 147 A8
5	04426107	2	disc DWW 18LX38"

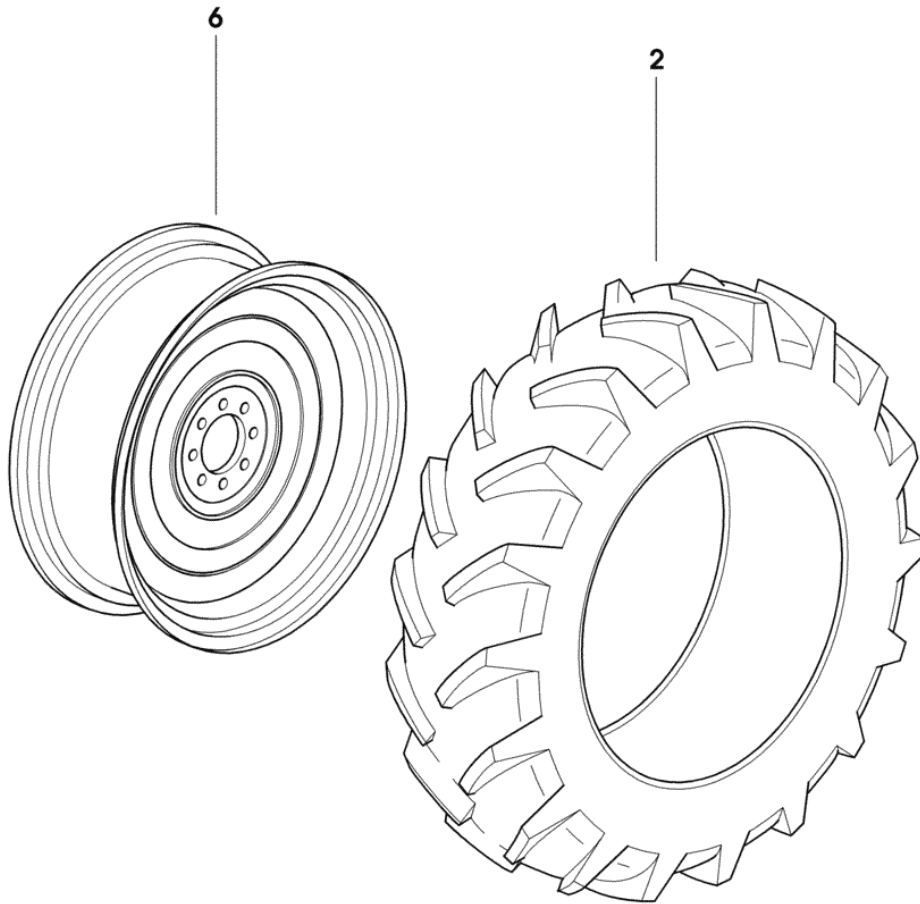


9_A3555_42_0_0

Section: WHEELS

WHEELS 18.4R-38" a8

Fig.	Code	QTY	Name
2	2.4811.066.0	2	tyre 460/85R38"(18.4R38")
6	04426103	2	disc DWW 15Lx38"



9_95355_42_0_0

CLICK HERE TO **DOWNLOAD** THE COMPLETE MANUAL

- Thank you very much for reading the preview of the manual.
- You can download the complete manual from: www.heydownloads.com by clicking the link below



- Please note: If there is no response to CLICKING the link, please download this PDF first and then click on it.

CLICK HERE TO **DOWNLOAD** THE COMPLETE MANUAL