

Agrotron 118 -> 8111 1001

ACCESSORIES

GENERAL

4-WAY HYDRAULIC CONTROL VALVE OPEN CENTER.....	0E.00.1
4-WAY HYDRAULIC CONTROL VALVE - WITH SUSPENDED AXLE OPEN CENTER.....	0E.00.2
4-WAY HYDRAULIC CONTROL VALVE LOAD SENSING.....	0E.00.3
4-WAY HYDRAULIC CONTROL VALVE.....	0E.00.4
4-WAY HYDRAULIC CONTROL VALVE.....	0E.00.5
8-WAY HYDRAULIC CONTROL VALVE OPEN CENTER.....	0E.00.6
8-WAY HYDRAULIC CONTROL VALVE - WITH SUSPENDED AXLE OPEN CENTER.....	0E.00.7
8-WAY HYDRAULIC CONTROL VALVE LOAD SENSING.....	0E.00.8
8-WAY HYDRAULIC CONTROL VALVE.....	0E.00.9
8-WAY HYDRAULIC CONTROL VALVE.....	0E.00.10
FLOW CONTROL FOR 4-WAY DIRECTIONAL CONTROL VALVE.....	0E.00.11
FLOW CONTROL FOR 8-WAY CONTROL VALVE.....	0E.00.12
AUXILIARY HYDRAULIC DISTRIBUTOR.....	0E.00.13
REAR FREE RETURN - NOT PRESSURIZED.....	0E.00.14
4-WAY QUICK-ACTION COUPLERS.....	0E.00.15
8-WAY QUICK-ACTION COUPLERS.....	0E.00.16
4-WAY CONTROL VALVES - OIL RECOVERY.....	0E.00.17
4-WAY CONTROL VALVES - OIL RECOVERY.....	0E.00.18
8-WAY CONTROL VALVES - OIL RECOVERY.....	0E.00.19
8-WAY CONTROL VALVES - OIL RECOVERY.....	0E.00.20
3 POINT HITCH - LIFTING ARMS cat. 3.....	0E.00.21
3 POINT HITCH - LIFTING ARMS.....	0E.00.22
3 POINT HITCH.....	0E.00.23
3-POINT HITCH - ADJUSTABLE RH RODS.....	0E.00.24
3-POINT HITCH - ADJUSTABLE RH RODS.....	0E.00.25
3-POINT HITCH - SIDE STABILIZERS.....	0E.00.26
3-POINT HITCH - SIDE STABILIZERS.....	0E.00.27
3-POINT HITCH - SIDE STABILIZERS.....	0E.00.28
RETAINER FOR COLLECTING TRAY FOR TYPES WITH 145 mm REAR FENDER EXTENSIONS sx/lh/li.....	0E.00.29
RETAINER FOR COLLECTING TRAY.....	0E.00.30
REAR TOWING HITCH CAT: "C" ITALY.....	0E.00.31
REAR TOWING HITCH CAT: "D2" ITALY.....	0E.00.32
REAR TOWING HITCH CAT: "D3" ITALY.....	0E.00.33
AUTOMATIC DRAWBAR COUPLING mm 30.8.....	0E.00.34
TOWING COUPLING, AUTOM. MM 37.....	0E.00.35
TOWING COUPLING AUTOM. MM 37 - DRAWBAR EYE MM 50.....	0E.00.36
REAR TOWING HITCH mm 37 X 50 Km/H.....	0E.00.37
DRAWBAR COUPLING MECH.....	0E.00.38
REAR TOWING HITCH BRACKET.....	0E.00.39
REAR TOWING HITCH BRACKET ITALY.....	0E.00.40

CLICK HERE TO **DOWNLOAD** THE COMPLETE MANUAL

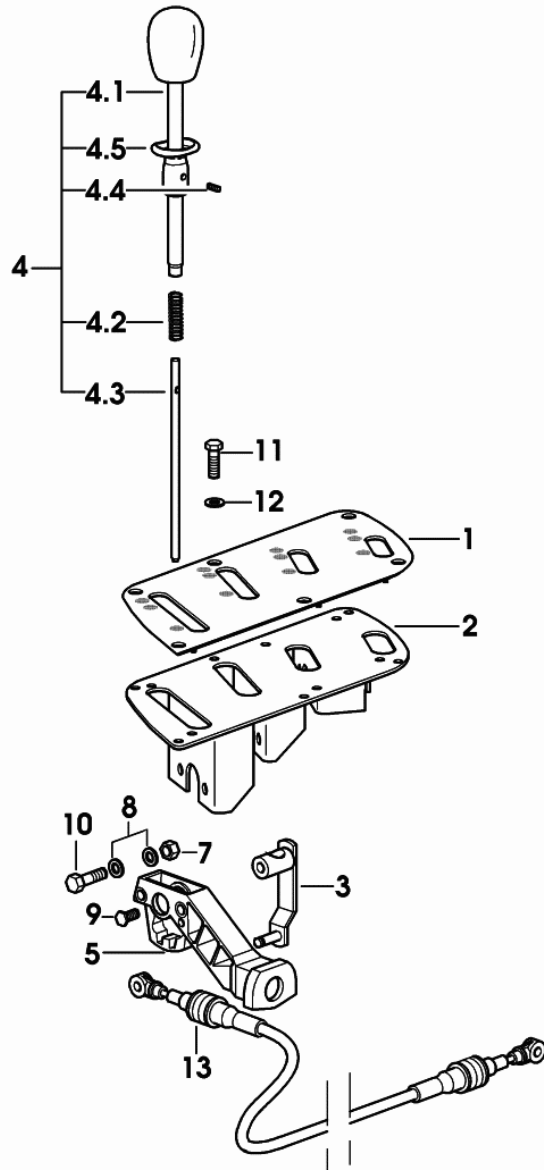
- Thank you very much for reading the preview of the manual.
- You can download the complete manual from: www.heydownloads.com by clicking the link below



- Please note: If there is no response to CLICKING the link, please download this PDF first and then click on it.

CLICK HERE TO **DOWNLOAD** THE COMPLETE MANUAL

4-WAY HYDRAULIC CONTROL VALVE



9_95388_30_0_0

Fig.	Code	QTY	Name
1	04429247	1	plate
2	04429301.4	1	crosspiece
3	04423032.4	2	lever
4	04423028.4	2	lever
4.1	04423023.4	1	gear lever
4.2	04426194	1	spring
4.3	04425215	1	rod
4.4	01144807	1	screw
4.5	04411645	1	support
5	04425445/10	2	support
7	01136452	4	nut vm 8 d980
8	01138374	8	washer 8,4x21x4
9	04423712	2	screw
10	01124457	4	screw m 8 x 45
11	04429756	6	screw
12	01139990	6	washer
13	04429750	2	rod

8-WAY HYDRAULIC CONTROL VALVE LOAD SENSING

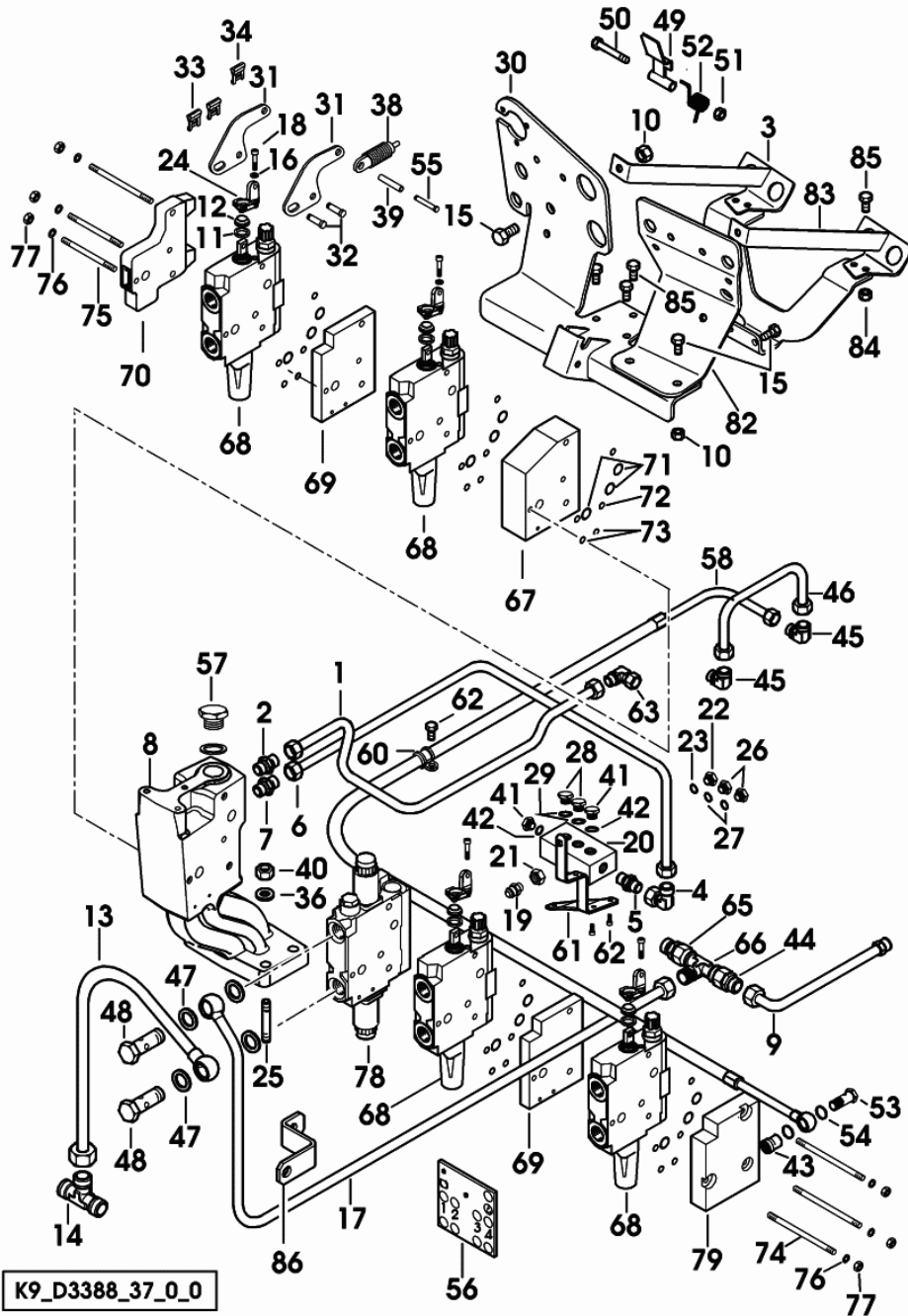
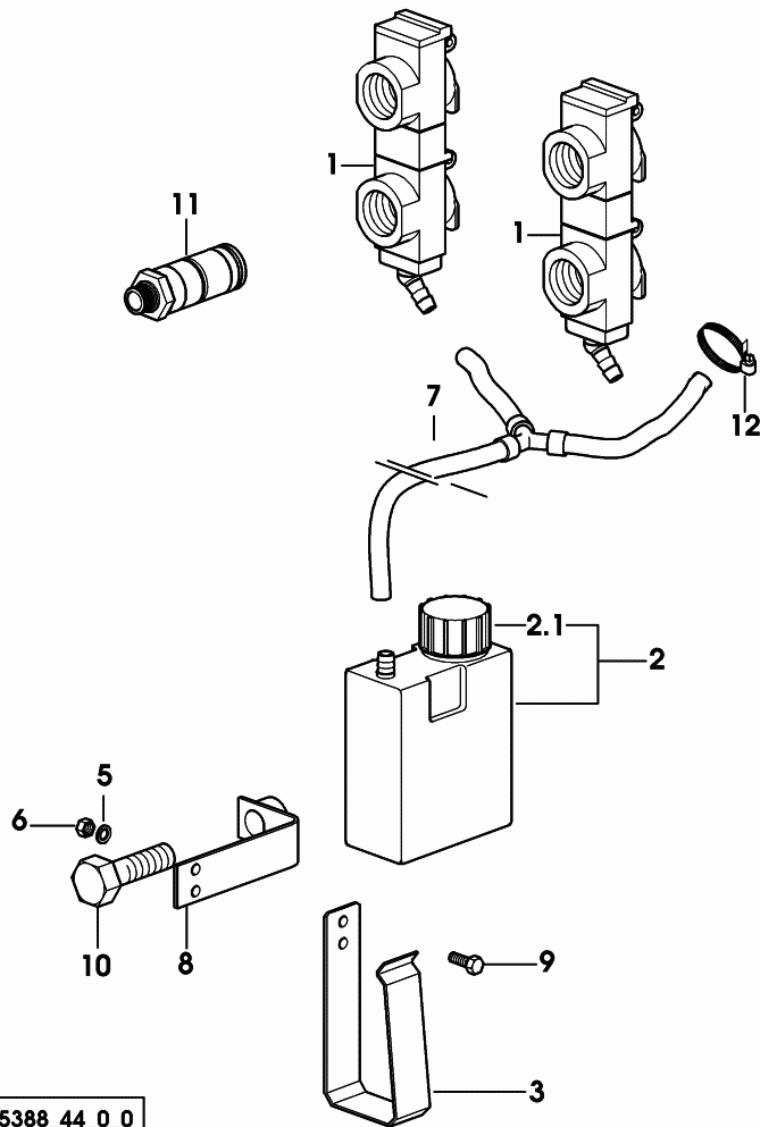


Fig.	Code	QTY	Name
84	01136452	2	nut vm 8 d980
85	01112322	5	screw m 8 p.1.25 x 20
86	04452311	1	support

K9_D3388_37_0_0

4-WAY CONTROL VALVES - OIL RECOVERY

Fig.	Code	QTY	Name
1	04438516.4	2	small block
2	04426824.4	1	tank 600 cm ³
2.1	04428375	1	plug
3	04426826	1	tank support
5	00810311	2	washer 6.4
6	01133500	2	nut vm 6 d980
7	04433076.4	1	rubber tube
8	04427959	1	bracket
9	01103316	2	screw m 6 p.1.0 x 16
10	01144803	1	screw m 18 p.1.5x40
11	04412157/10	4	coupling
12	04437395	2	clamp

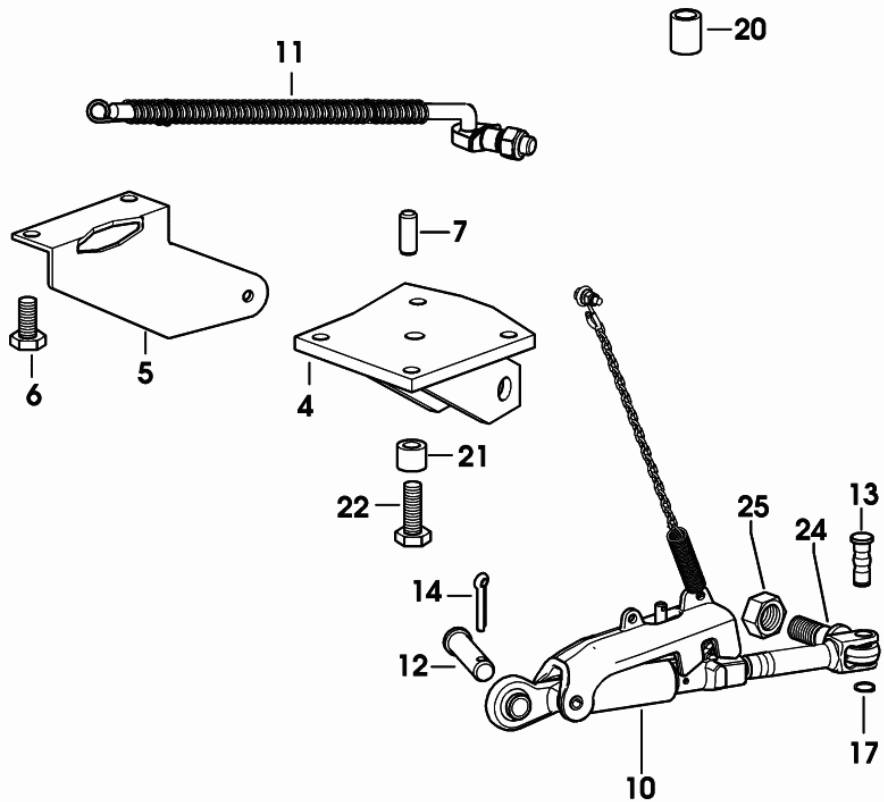


9_95388_44_0_0

Section: ACCESSORIES

3-POINT HITCH - SIDE STABILIZERS

Fig.	Code	QTY	Name
4	04411063	1	small plate sx/lh/li
5	04416256	1	plate
6	01112683	2	screw m 16 x 40
7	01105237	1	stop m 6x24
10	0.012.9801.4/10	1	stabiliser
			COMPONENT PARTS SEE COMPONENTS LIST
			☞ 0.012.9801.4/10
			☞ 0E.00.63
11	04414942.4	1	support
			COMPONENT PARTS SEE COMPONENTS LIST
			☞ 04414942.4
			☞ 0E.00.64
12	04414819	1	pin
13	04414932	1	pin
14	01157380	1	pin 10x55 d1481
17	01143888	1	ring
20	04355272	1	bushing 9x13x16
21	04422335	4	spacer 17x30.5x24
22	04422336	4	screw m 16 x 70
24	04435435	1	screw 3-PK
25	2.1120.014.2	1	nut

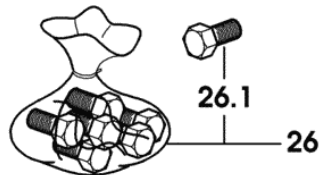
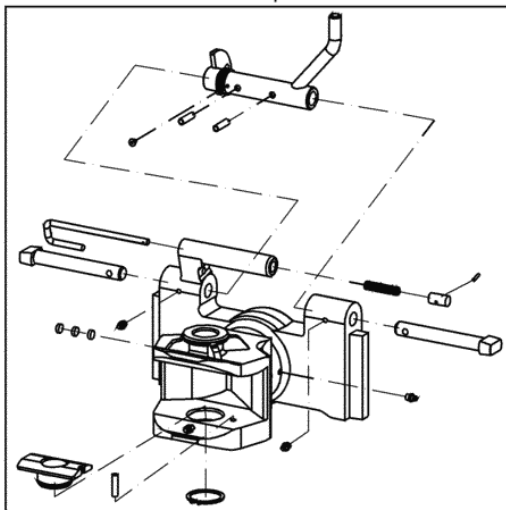
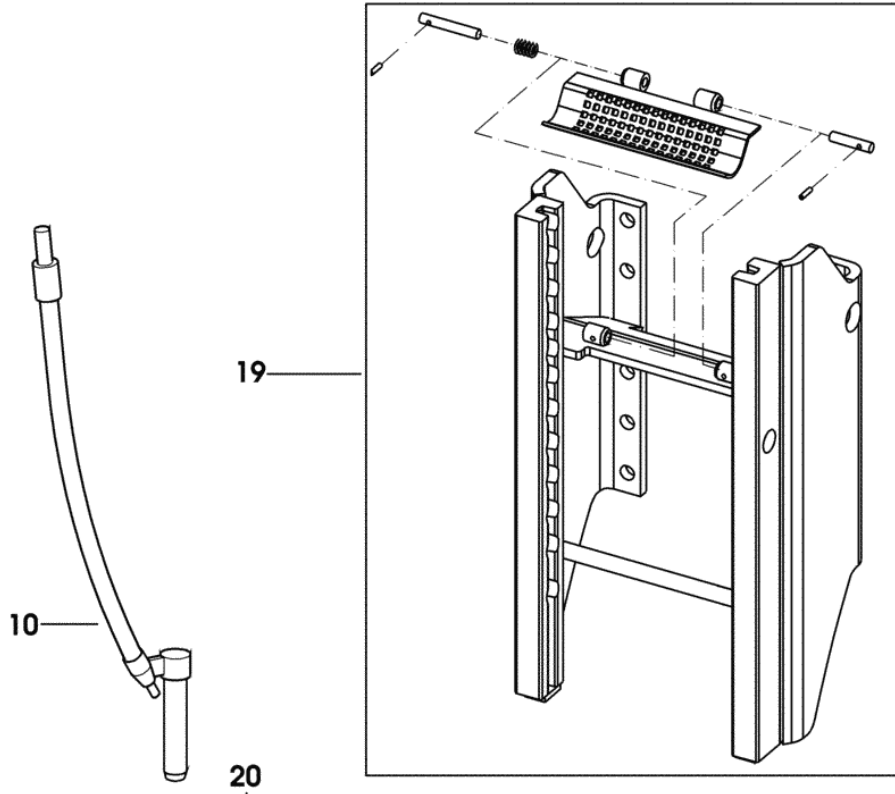


9_95358_41_0_0

Section: ACCESSORIES

DRAWBAR COUPLING MECH.

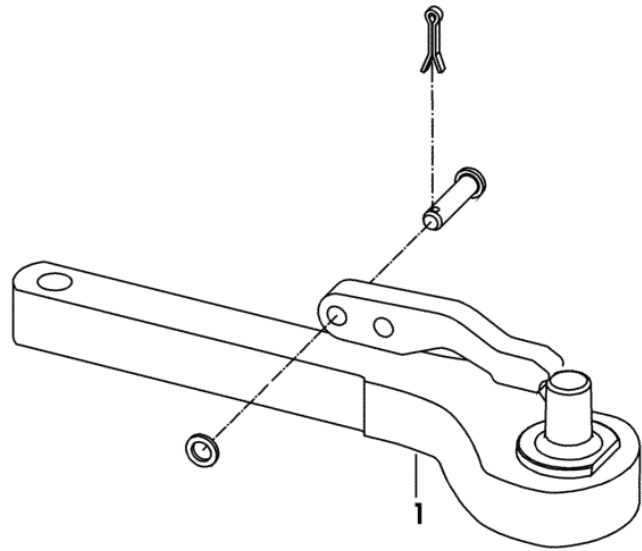
Fig.	Code	QTY	Name
10	04417886	1	pin
19	04419879	1	chassis frame COMPONENT PARTS SEE COMPONENTS LIST ☞ 04419879 ☞ 0E.00.72
20	04419880	1	tow hook COMPONENT PARTS SEE COMPONENTS LIST ☞ 04419880 ☞ 0E.00.73
26	04431243	1	screw
26.1	01144803	8	screw m 18 p.1.5x40



9_95331_63_0_0

TOWING BAR

Fig.	Code	QTY	Name
1	04426458.4	1	draw bar COMPONENT PARTS SEE COMPONENTS LIST ☞ 04426458.4 ☞ 0E.00.80

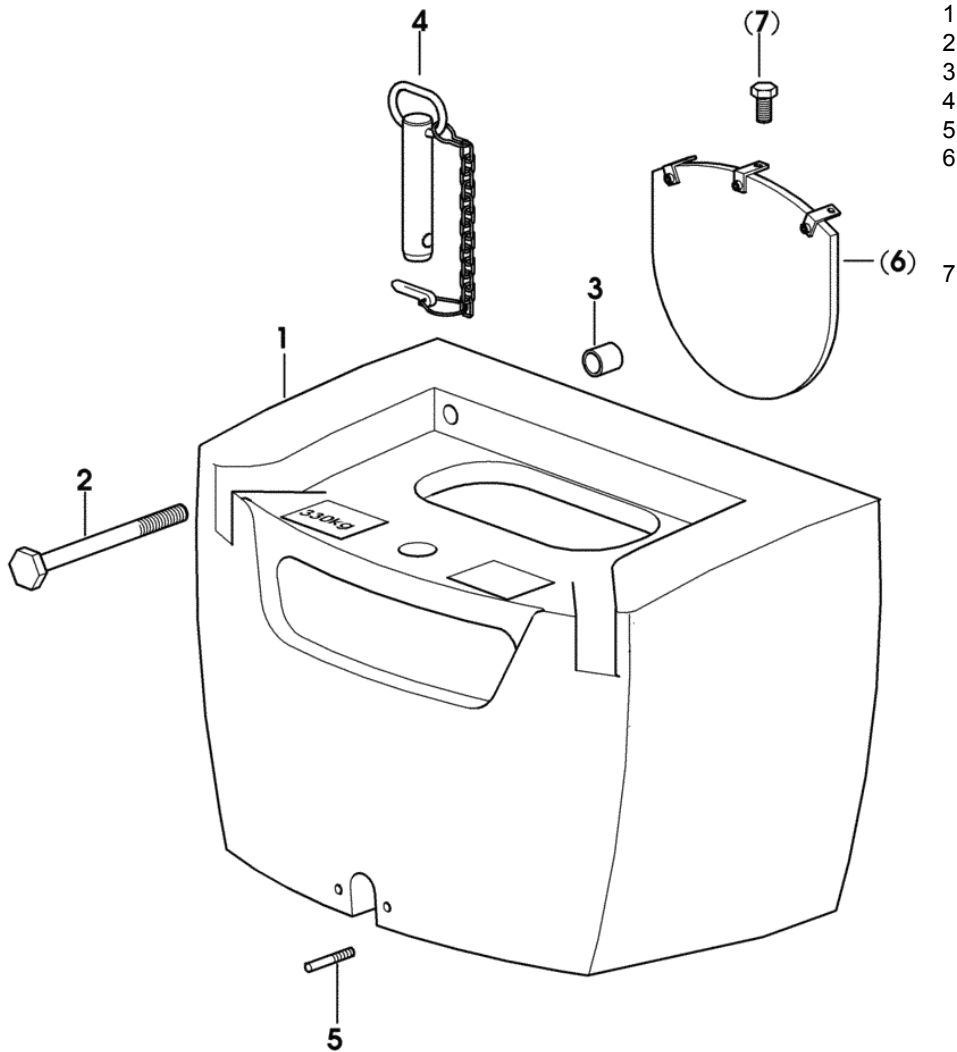


9_95331_71_0_0

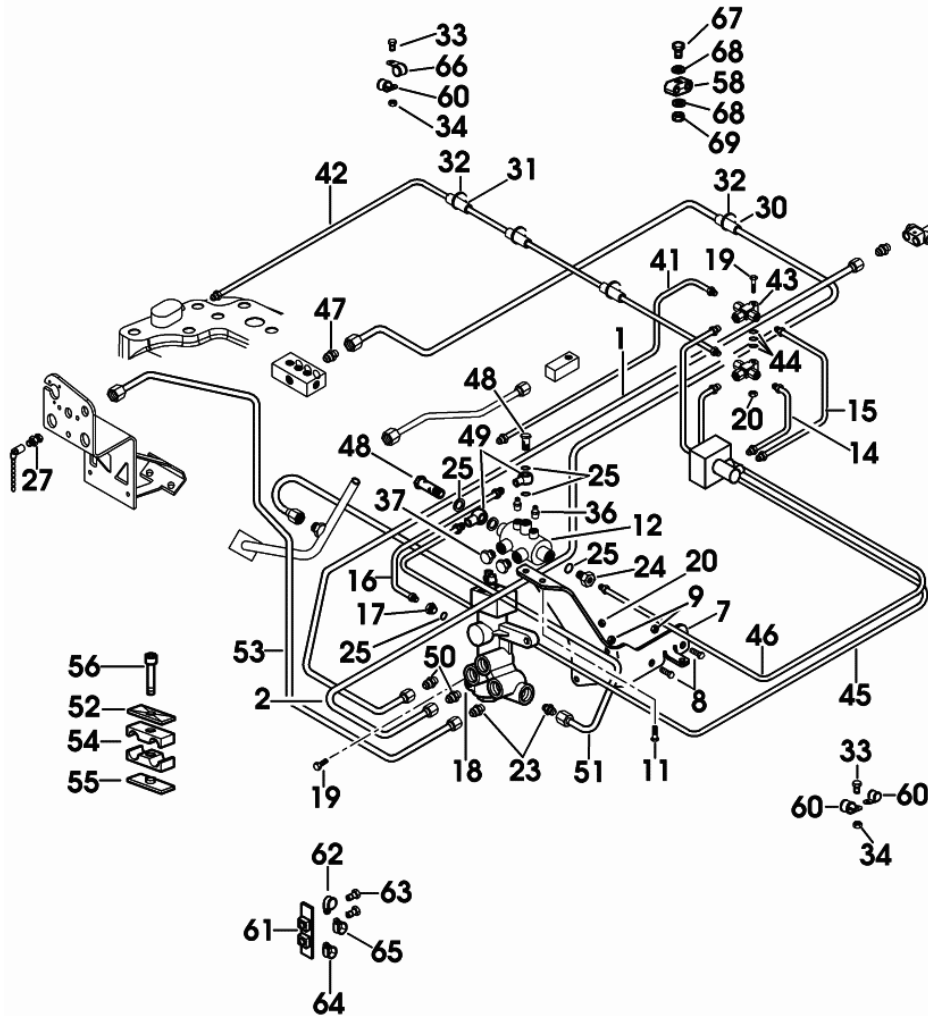
Section: ACCESSORIES

FRONT BALLAST 330 Kg

Fig.	Code	QTY	Name
1	04432782/20	1	ballast 330 Kg
2	01144479	4	screw m 16 x 120
3	04388695	2	bushing 17x22x23
4	04414118.4	1	pin
5	01123863	1	grain 8 x 60
6	04419917.4	1	plate 1477 <- X Agrotron 108 1454 <- X Agrotron 118 1321 <- X Agrotron 128
7	04417408	1	screw 4.2x13 1477 <- X Agrotron 108 1454 <- X Agrotron 118 1321 <- X Agrotron 128



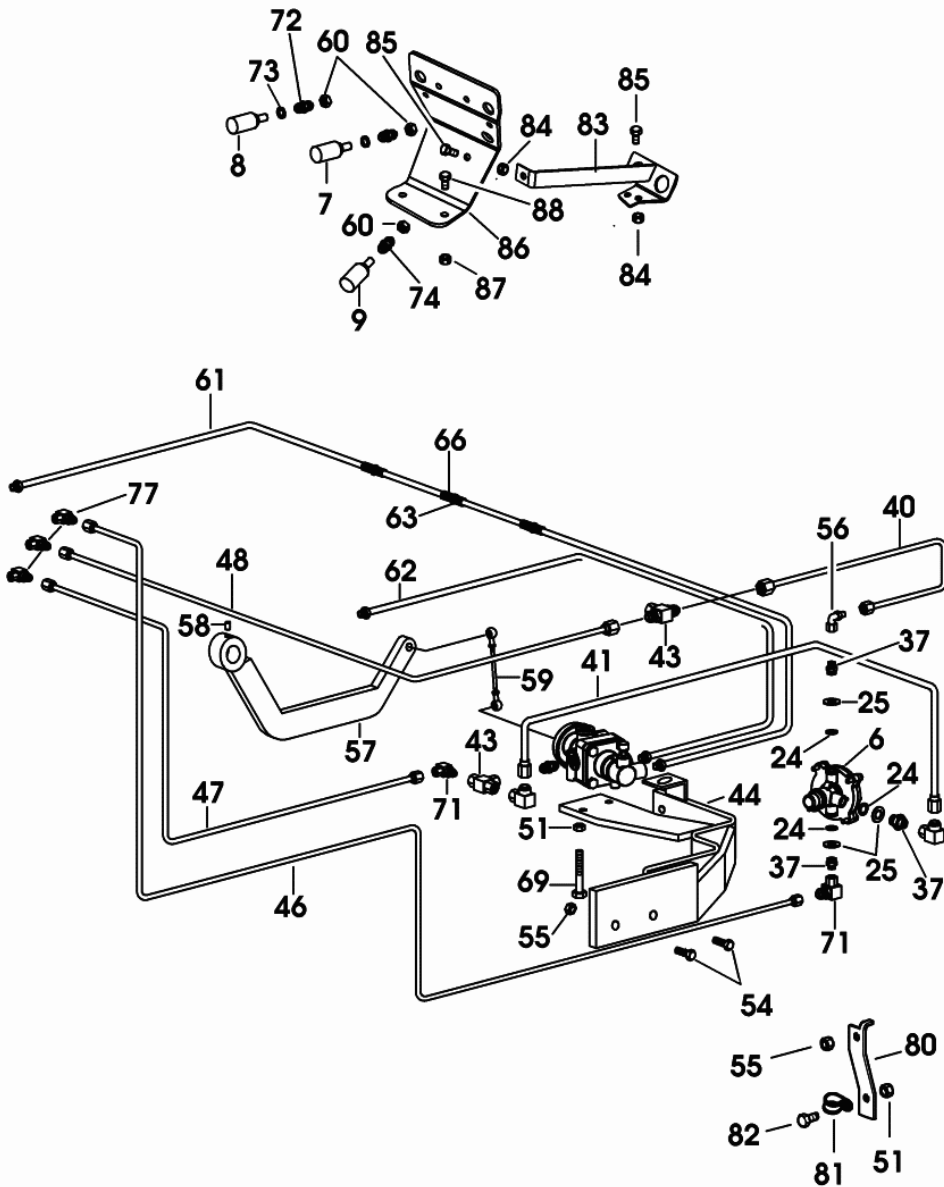
HYDRAULIC BREAKING FOR TRAILER - EXPORT F - FOR TYPES WITH PNEUMATIC BRAKE



K9_D3389_01_0_0

Fig.	Code	QTY	Name
1	04450323	1	pipng
2	04450324	1	pipng
7	04452957/20	1	support
8	01112418	2	screw m 10 x 25, d933
9	01102659	2	nut m 10, d934
11	01112322	1	screw m 8 p.1.25 x 20
12	04422528	1	valve
14	04436621	1	tube sx/lh/li
15	04436622	1	tube dx/rh/re
16	04452953	1	pipng
17	04419604	1	power control
18	04452780	1	valve
			COMPONENT PARTS SEE COMPONENTS LIST
			☞ 04452780
			☞ 0E.00.83
19	01103734	3	screw m8x55 d931-10
20	01112824	3	nut m 8, d934
23	04428400	2	pipe fitting
24	03420517	1	pipe union m 12 p.1/ m 14 p.1.5
25	01118693	5	gasket 14x20
27	04307317	1	coupling
30	02382224	3	sleeve 12
31	01216315	4	rubber plug
32	01172065	8	clamp 4.6 x 146
33	01111052	2	bolt
34	01112813	2	nut m 6
36	04434833	2	valve
37	01137743	2	plug m 14 p.1.5
41	04436620	1	tube dx/rh/re
42	04436619	1	tube sx/lh/li
43	03499196	2	pipe fitting T
44	01107101	3	washer 8.4
45	04451609	1	pipng
46	04451608	1	pipng
47	01177450	1	pipe fitting m 22 p.1.5x18
48	02318392	2	pipe union
49	03410829	2	pipe fitting
50	04419602	2	pipe fitting
51	04451850	1	pipng
52	01175616	2	small plate
53	04452303	1	pipng

AIR BRAKING



K9_D3389_15_0_B

Fig.	Code	QTY	Name
			-> 1459 X Agrotron 108
			-> 1443 X Agrotron 118
			-> 1309 X Agrotron 128
87	01112824	2	nut m 8, d934
88	01112311	2	screw m 8 x 18

Section: BODY WORK
HOOD - SUPPORTS

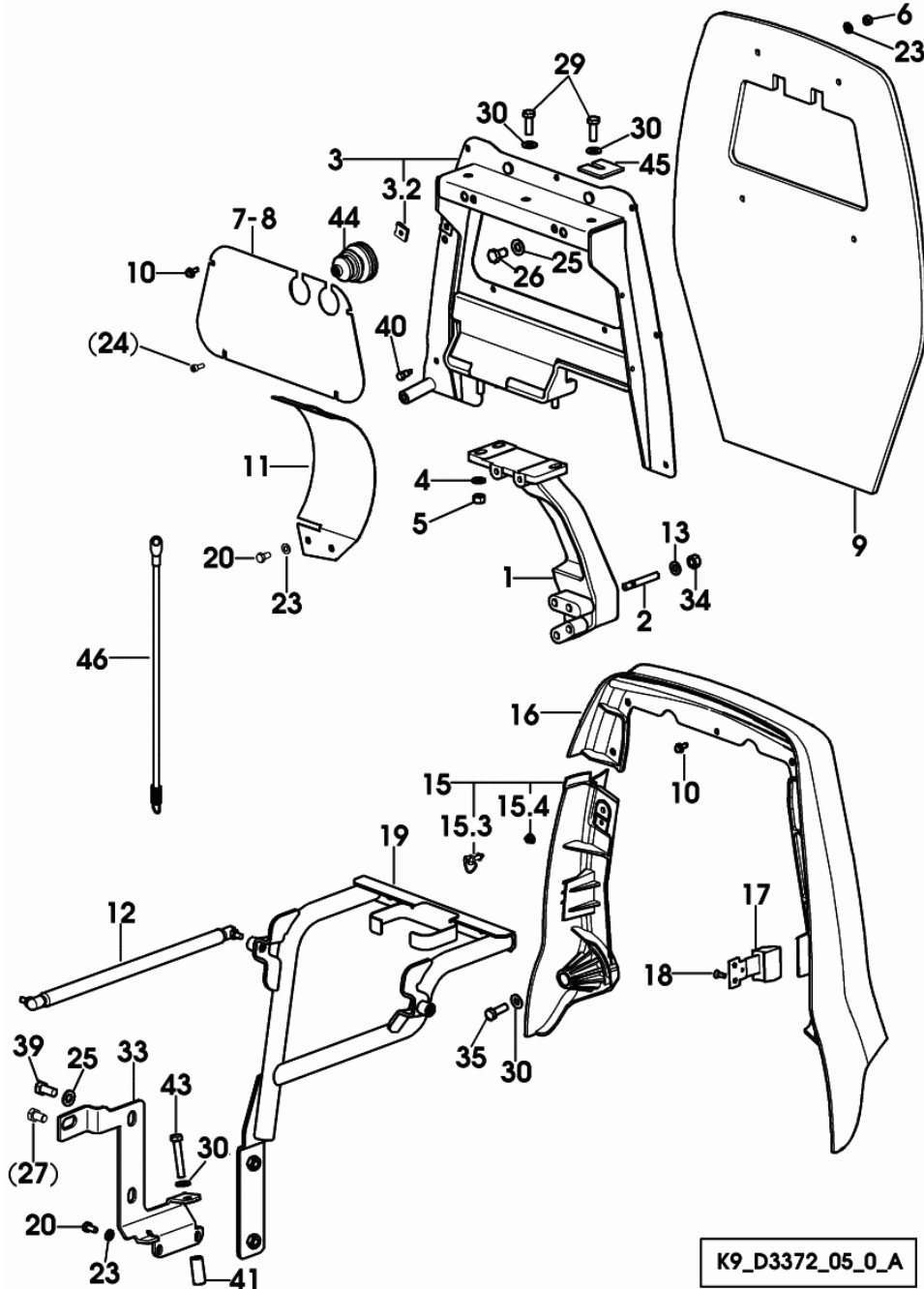


Fig.	Code	QTY	Name
29	2.0112.309.2	3	screw m 10 p.1.5 x 25 -> 1493 - 1506 <- X Agrotron 108 -> 1469 - 1473 <- X Agrotron 118 -> 1376 - 1376 <- X Agrotron 128
29	2.0112.311.2	3	screw m 10 p.1.5 x 30 -> 1507 X Agrotron 108 -> 1474 X Agrotron 118 -> 1377 X Agrotron 128
30	2.1310.006.2	3	flat washer 10.5 1492 <- X Agrotron 108 1468 <- X Agrotron 118 1375 <- X Agrotron 128
30	2.1310.006.2	5	flat washer 10.5 -> 1493 X Agrotron 108 -> 1469 X Agrotron 118 -> 1376 X Agrotron 128
33	0.013.7157.0	1	support 1492 <- X Agrotron 108 1468 <- X Agrotron 118 1375 <- X Agrotron 128
33	0.013.7157.0/10	1	support -> 1493 - 1506 <- X Agrotron 108 -> 1469 - 1473 <- X Agrotron 118 -> 1376 - 1376 <- X Agrotron 128
33	0.013.7157.0/20	1	support -> 1507 X Agrotron 108 -> 1474 X Agrotron 118 -> 1377 X Agrotron 128
34	2.1121.107.2	4	selflock nut m 10 p 1.25
35	2.0112.311.6	1	screw m 10 p 1.5x30 -> 1493 X Agrotron 108 -> 1469 X Agrotron 118 -> 1376 X Agrotron 128
39	2.0112.409.2	2	screw m 12 p.1.75 x 25 -> 1493 X Agrotron 108 -> 1469 X Agrotron 118 -> 1376 X Agrotron 128
40	2.0119.312.2	1	screw m 6 x 8 -> 1493 X Agrotron 108 -> 1469 X Agrotron 118 -> 1376 X Agrotron 128
41	04452906	1	spacer block -> 1493 X Agrotron 108 -> 1469 X Agrotron 118

Section: BODY WORK
MECHANICAL CAB SUSPENSION

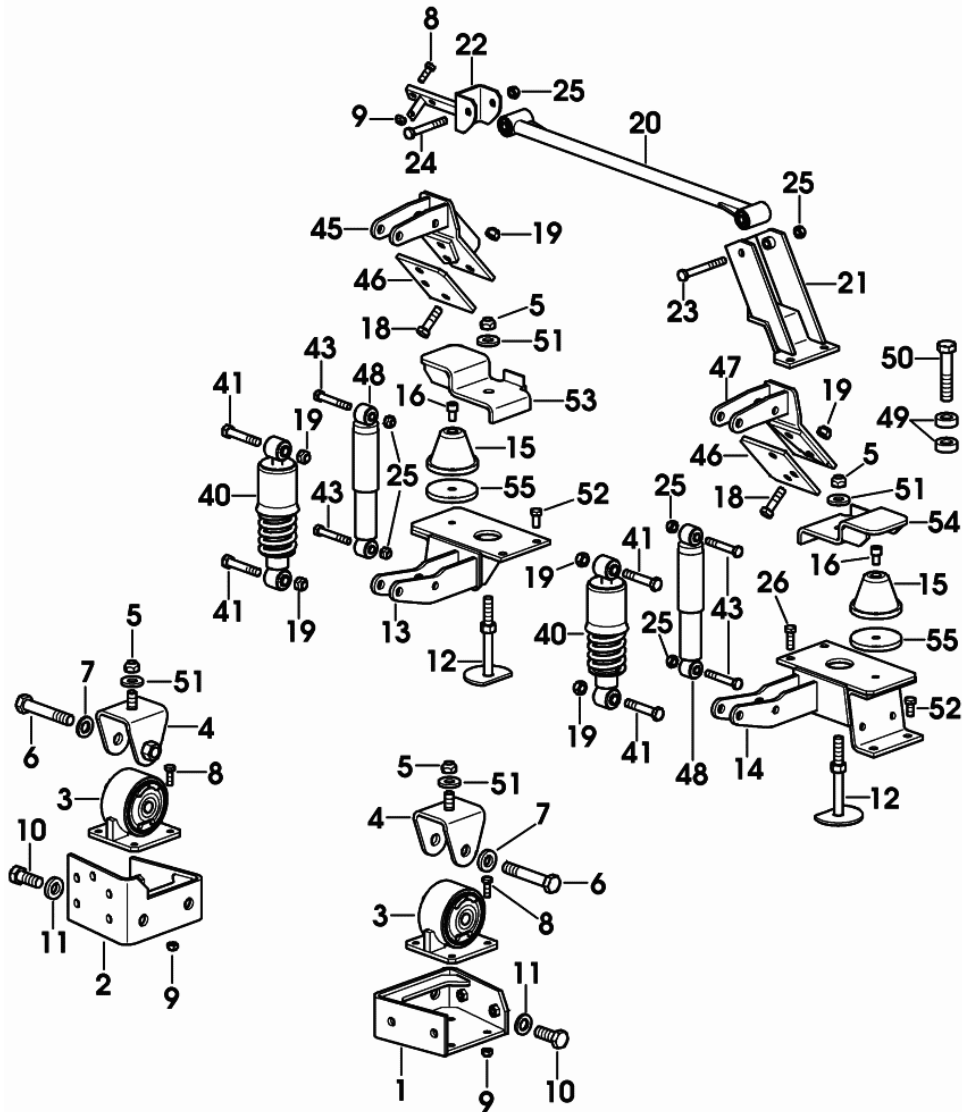


Fig.	Code	QTY	Name
1	0.013.4924.3/10	1	bracket sx/lh/li
2	0.013.5475.3	1	bracket dx/rh/re
3	0.013.4925.4	2	silent-block
4	0.013.4926.3	2	support
5	2.1121.011.2	4	nut m 16
6	2.0113.831.2	2	screw
7	2.1475.108.2	2	spring washer 20
8	2.0112.311.2	6	screw m 10 p.1.5 x 30
9	2.1121.007.2	10	nut m 10 p.1.5
10	01114065	4	screw m 20x50
11	01167055	4	washer 20.5x40
12	0.012.4519.4/10	2	rod m 16
13	0.013.5158.2	1	support dx/rh/re
14	0.013.5156.2	1	support sx/lh/li
15	0.011.3290.2/10	2	stopper
16	2.0312.406.2	2	screw m 12 p.1.75 x 20
18	2.0114.517.2	6	screw m 14 x 50
19	2.1121.010.2	10	nut m 14 p.2
20	04426843.4	1	stabiliser
21	04427784	1	bearing block sx/lh/li
22	04427785	1	joint
23	2.0112.430.2	1	screw m 12x105
24	2.0112.427.2	1	screw m 12 p.1.75 x 90
25	2.1121.008.2	6	nut m 12
26	2.0112.413.2	2	screw m 12 p.1.75x35
40	04426628	2	spring
41	2.0112.524.2	4	screw m 14 p.2 x 75
43	2.0112.424.2	4	screw m 12 p.1.75x75
45	0.013.5122.2	1	support dx/rh/re
46	0.013.5006.0	2	plate
47	0.013.5064.2	1	support sx/lh/li
48	0.011.2068.4	2	shoch.absorber
49	04451293	2	washer
50	2.0113.829.7	1	screw
51	01139580	4	washer 17
52	2.0112.409.2	6	screw m 12 p.1.75 x 25
53	0.013.5153.2	1	bracket dx/rh/re
54	0.013.5155.2	1	bracket sx/lh/li
55	0.012.3165.0	2	washer Ø 95 / 12.5

K9_D3376_01_0_0

Section: BODY WORK

FRONT MUDGUARDS mm 265

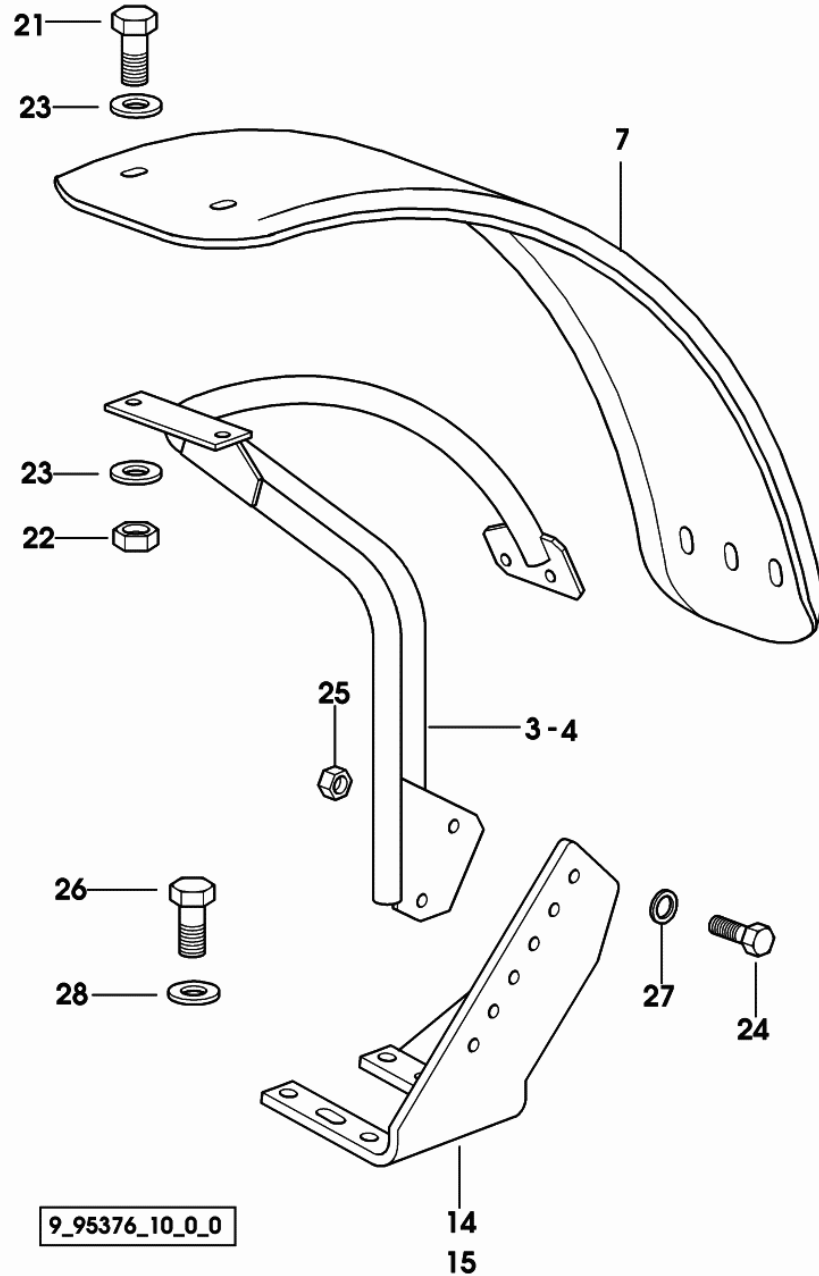


Fig.	Code	QTY	Name
3	04416236	1	support dx/rh/re
4	04416237	1	support sx/lh/li
7	04414843	2	fender mm 265
14	04416249	1	lining dx/rh/re
15	04416250	1	lining sx/lh/li
21	01112333	8	screw m 8 x 25, d933
22	01136452	8	nut vm 8 d980
23	02312618	8	washer
24	01124837	4	screw m12x50 d933
25	01125801	4	nut m12 d934-10
26	01112679	8	screw m 16 x 35
27	01174738	8	flat washer 12.5x26x6
28	01139580	8	washer 17

Section: BODY WORK
FRONT MUDGUARDS mm 540

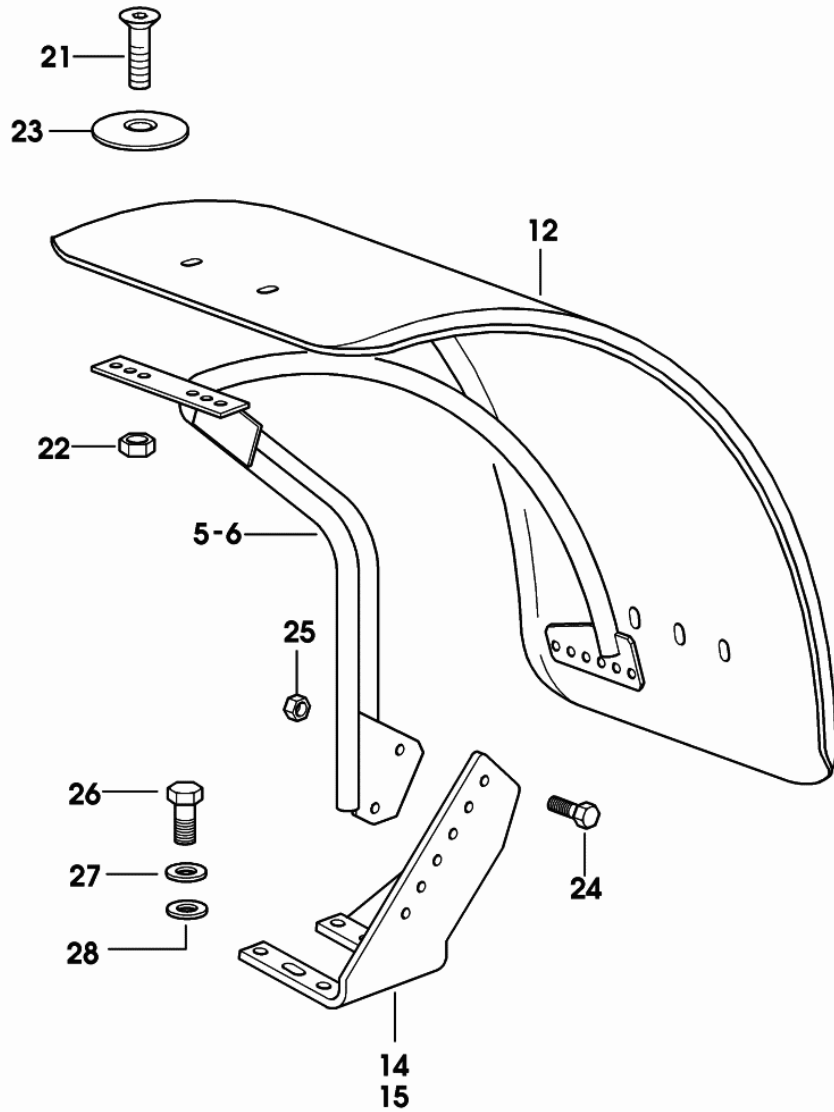
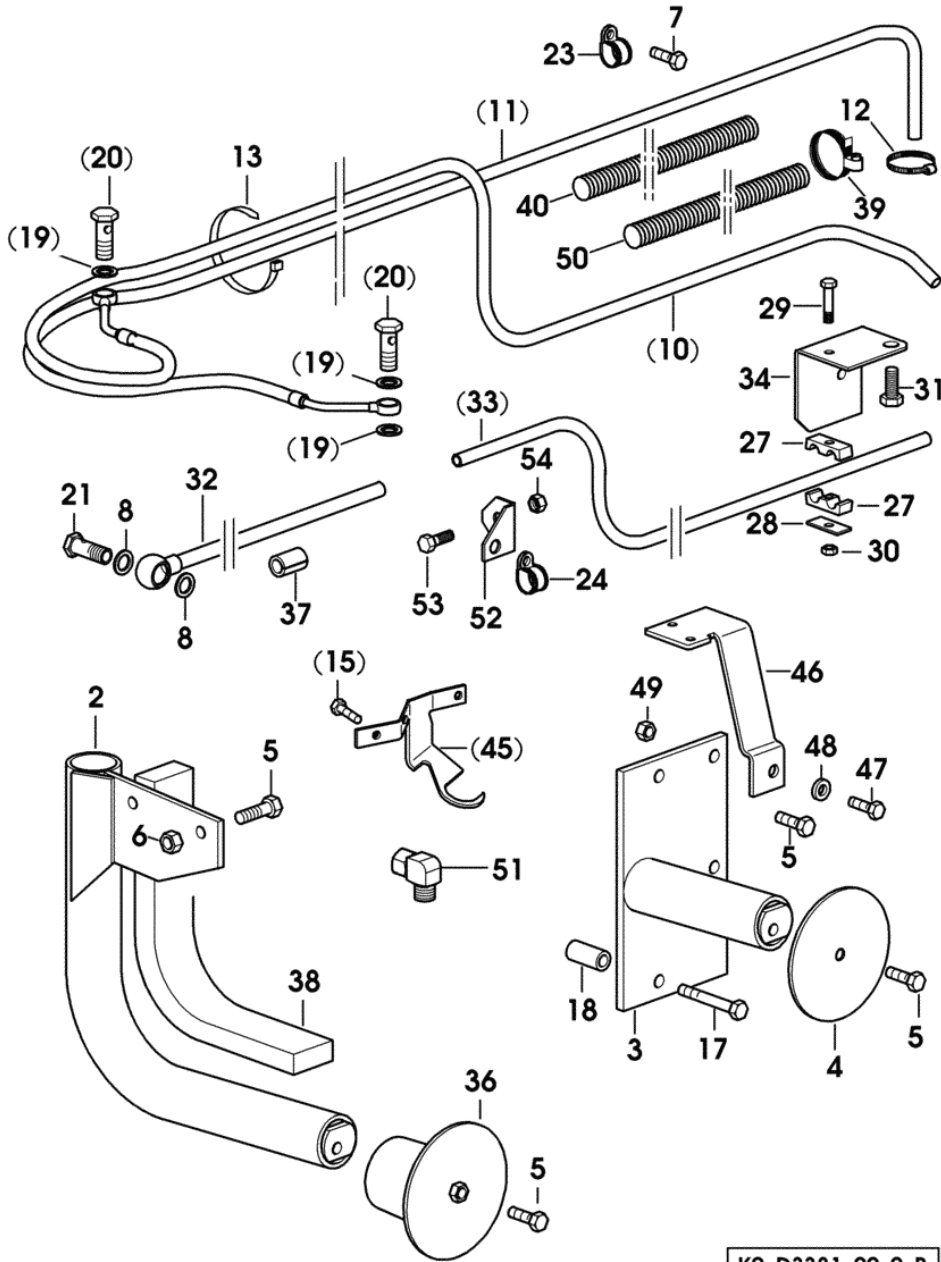


Fig.	Code	QTY	Name
5	04416239	1	support dx/rh/re
6	04416240	1	support sx/lh/li
12	04415576	2	fender mm 540
14	04416249	1	lining dx/rh/re
15	04416250	1	lining sx/lh/li
21	2.0342.308.3	8	screw m 8 p.1.25 x 30
22	2.1011.105.3	8	nut
23	2.1399.016.0	8	washer
24	01124837	4	screw m12x50 d933
25	01125801	4	nut m12 d934-10
26	01112679	8	screw m 16 x 35
27	01174738	8	flat washer 12.5x26x6
28	01139580	8	washer 17

9_95376_18_0_0

Section: BODY WORK
FUEL SYSTEM - TANK



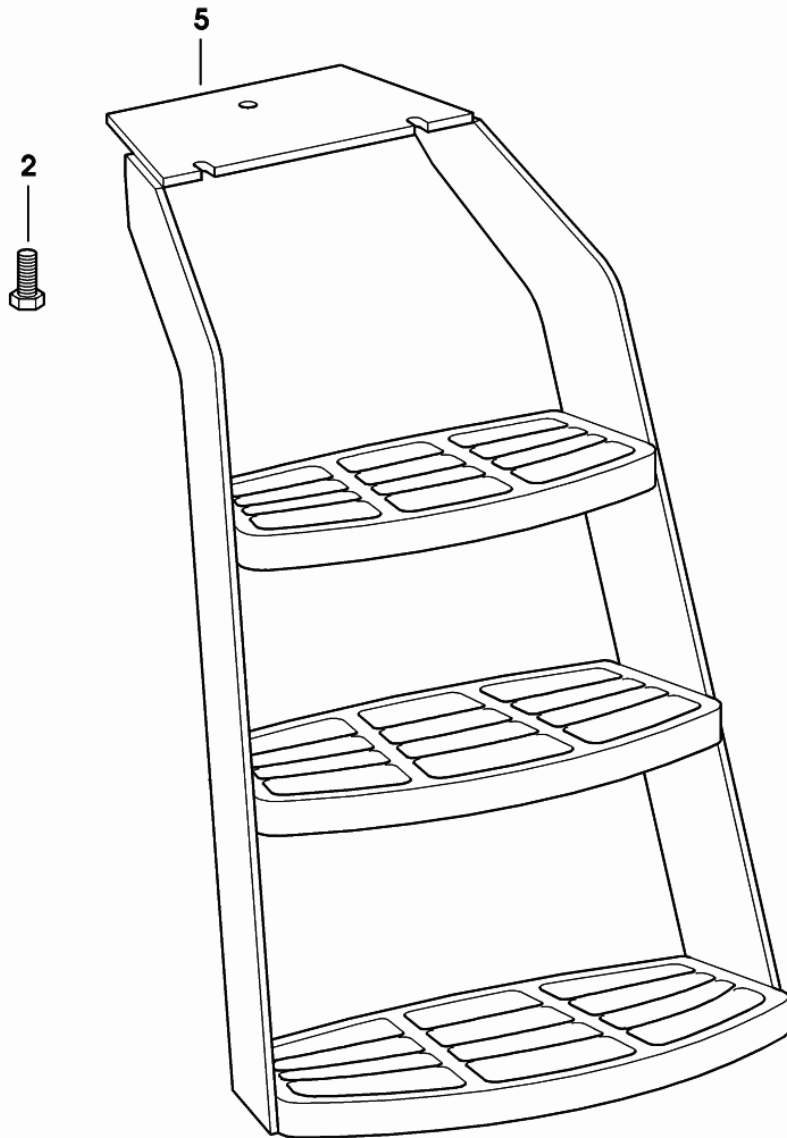
K9_D3381_00_0_B

Fig.	Code	QTY	Name
2	04411965	1	support
3	04411085	1	support
4	04413213	1	washer
5	01144473	5	screw m 12 p.1.75x35
6	01112858	2	nut m 12, d934
7	01112307	2	screw m 8 p.1.25 x 15, d933
8	01118700	2	'o' ring Ø 16 x 20
12	01173965	3	clamp 10-16/9 h3461
13	01173952	10	band
17	01144695	1	screw
18	04411966	1	tube
21	2.3335.007.2	1	pipe union m 16 p.1.5
23	01172635	2	hose clip
24	2.6839.058.0	1	clamp Ø 17/20
27	04418659	2	terminal 12x10
28	01175616	1	small plate
29	01100101	1	screw m 6 x 45
30	01112813	1	nut m 6
31	01112529	1	screw m 12 x 30, d933
32	04452875	1	flexible hose
34	04428087	1	angular
36	04429298.4	1	stop
37	02382225	1	sleeve
38	04417679	1	ring
39	01172065	4	clamp 4.6 x 146
40	04452062	2	flexible hose
46	04452323	1	support
47	01112529	1	screw m 12 x 30, d933
48	01178434	1	washer 13X21X1.5
49	01136457	1	nut vm12 d980
50	04452063	1	guard
51	01144832	1	pipe fitting
52	04453089	1	square
53	2.0112.209.2	1	screw m 8 p.1.25 x 25
54	2.1011.105.2	2	nut m 8 p.1.25

Section: BODY WORK

LADDER

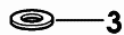
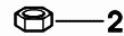
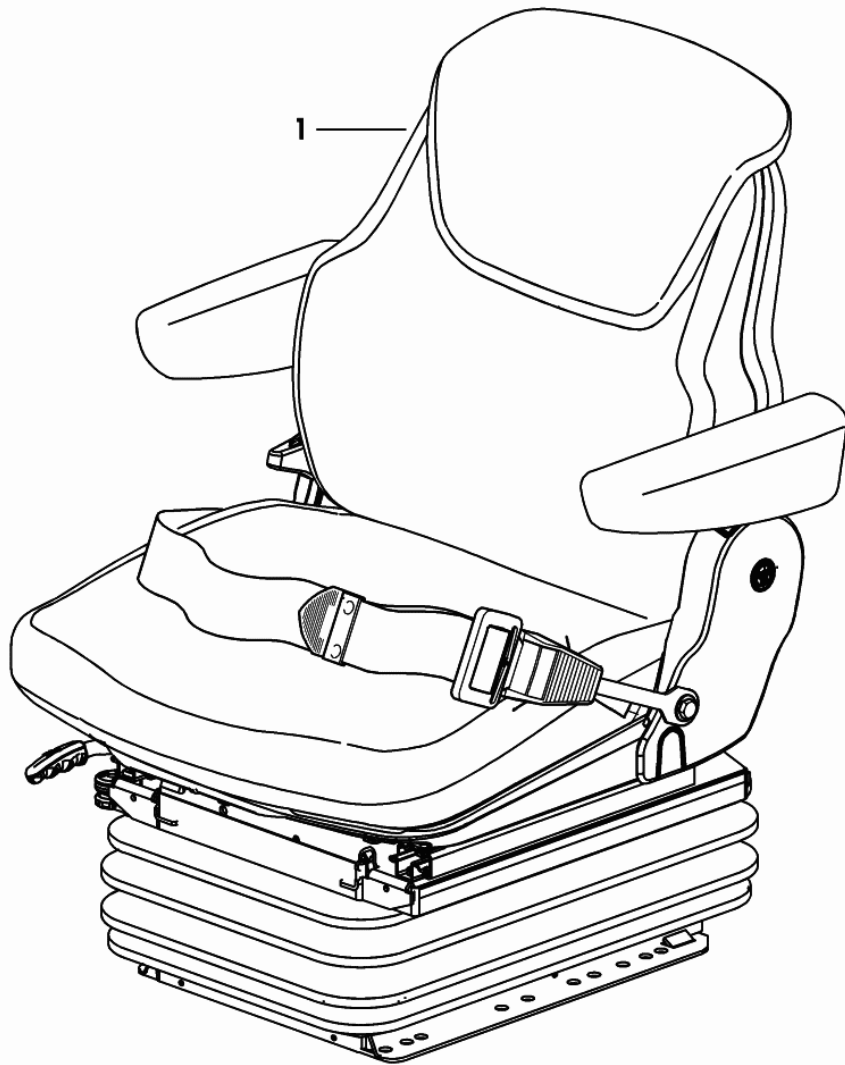
Fig.	Code	QTY	Name
2	01144472	6	screw m10x30 d933
5	04428714.4	2	climbing steps



9_95376_03_0_0

DRIVER'S SEAT - AEROFIT MSG 95G/721

Fig.	Code	QTY	Name
1	04429718.4	1	seat 1536 <- X Agrotron 108 1521 <- X Agrotron 118 1416 <- X Agrotron 128 COMPONENT PARTS SEE COMPONEN ☞ 04429718.4 ☞ 04429718.4 ☞ 07.00.24 ☞ 07.00.23
1	0.013.9595.4	1	sprung seat MSG 95G/721 -> 1537 X Agrotron 108 -> 1522 X Agrotron 118 -> 1417 X Agrotron 128 ☞ 0.013.9595.4 ☞ 0.013.9595.4
2	01112824	4	nut m 8, d934
3	01138374	4	washer 8,4x21x4



9_95375_01_0_0

SPEED LABEL - 50 KM/H - REFLEX

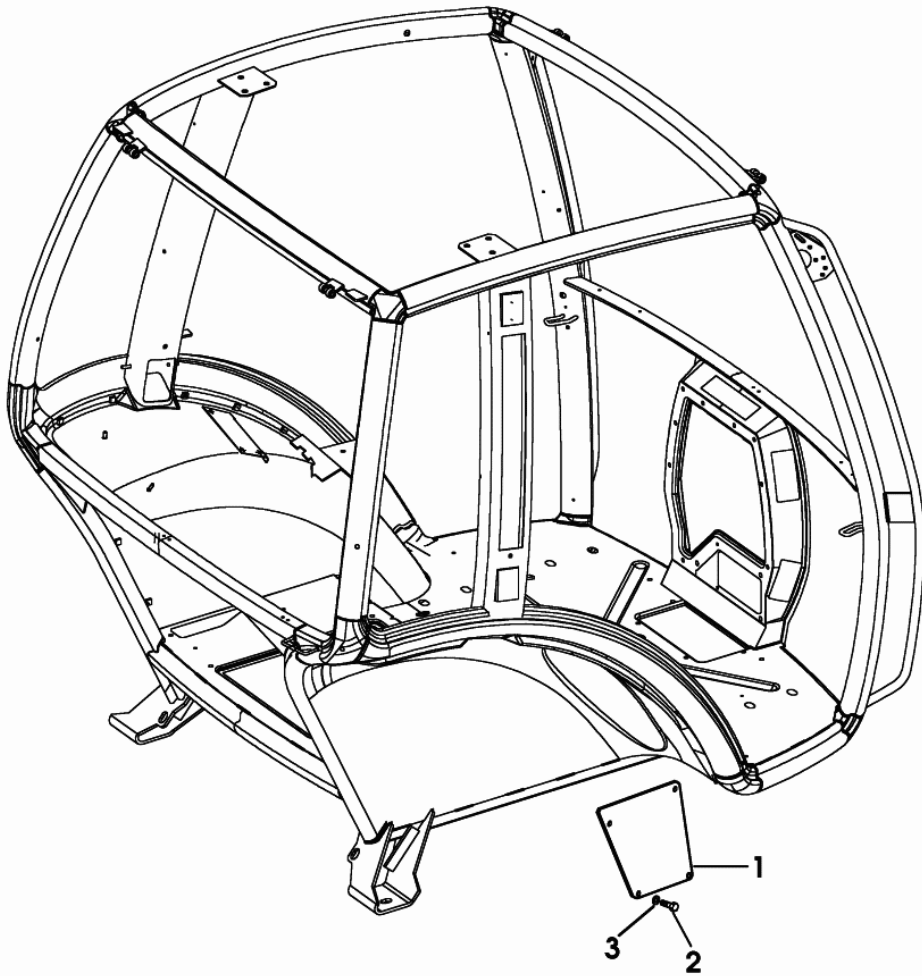
Fig.	Code	QTY	Name
1	04418917	1	plate 50 Km/h



9_95374_33_0_0

Section: CAB
END PLATE

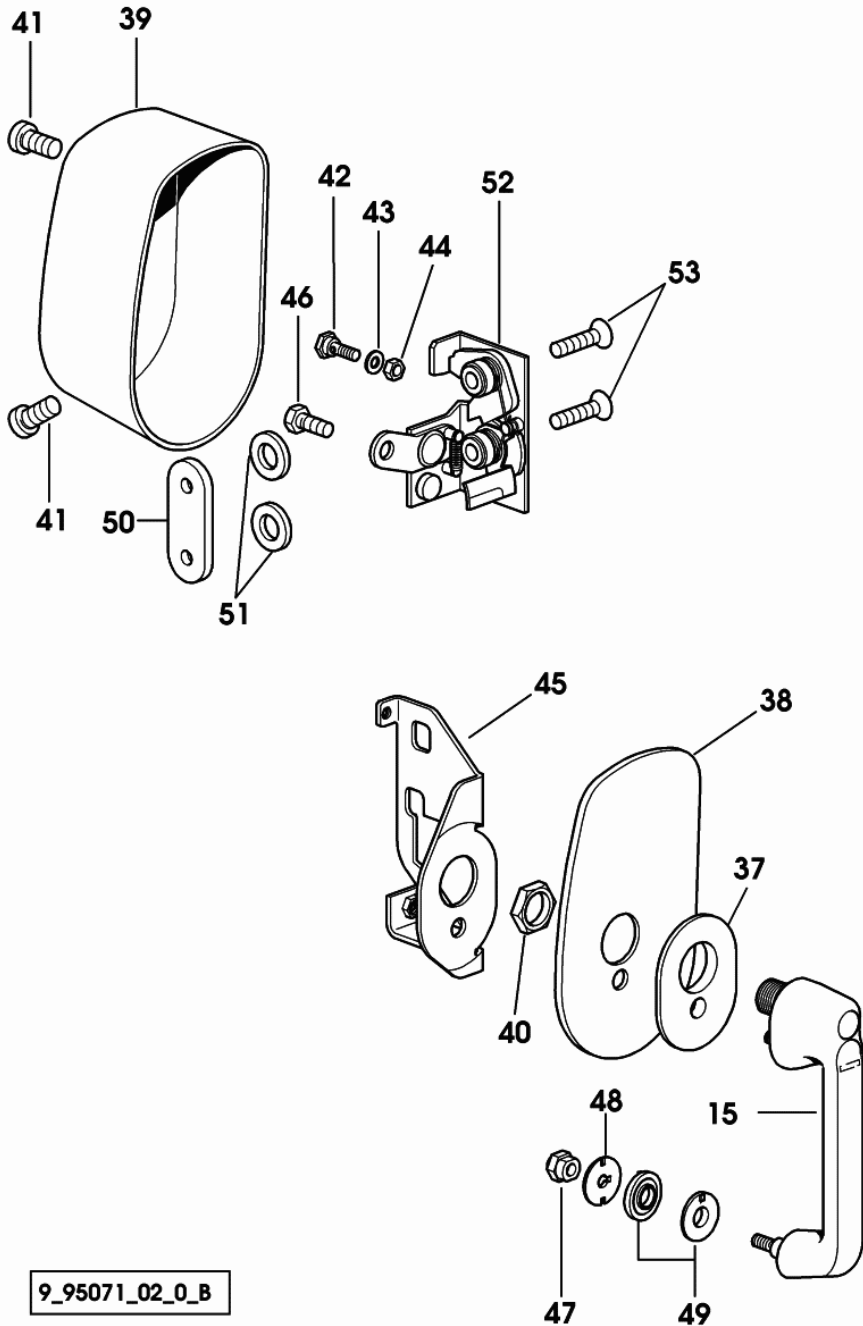
Fig.	Code	QTY	Name
1	04429853	1	plate
2	01103316	4	screw m 6 p.1.0 x 16
3	01151664	4	washer 6.4



9_95071_29_0_0

Section: CAB
CAB DOOR dx/rh/re

Fig.	Code	QTY	Name
15	0.013.0217.4	1	handle COMPONENT PARTS SEE COMPONENTS LIST ☞ 0.013.0217.4 ☞ 0B.00.48
37	04412845	1	stop
38	04413547	1	gasket
39	04438159	1	cover
40	04416537	1	nut m 28 x 1
41	04413811	2	screw m 6 p.1.0 x 16
42	04413581	1	screw
43	01151664	1	washer 6.4
44	01112813	1	nut m 6
45	04416201.4	1	support
46	01144692	1	screw m 8 p.1.25 x 20
47	04412846	1	union nut
48	04413572	1	washer
49	04413571	2	disc
50	04412840	1	small plate
51	04412841/10	2	washer
52	04413582	1	lock
53	04413568	2	screw m 8 x 35

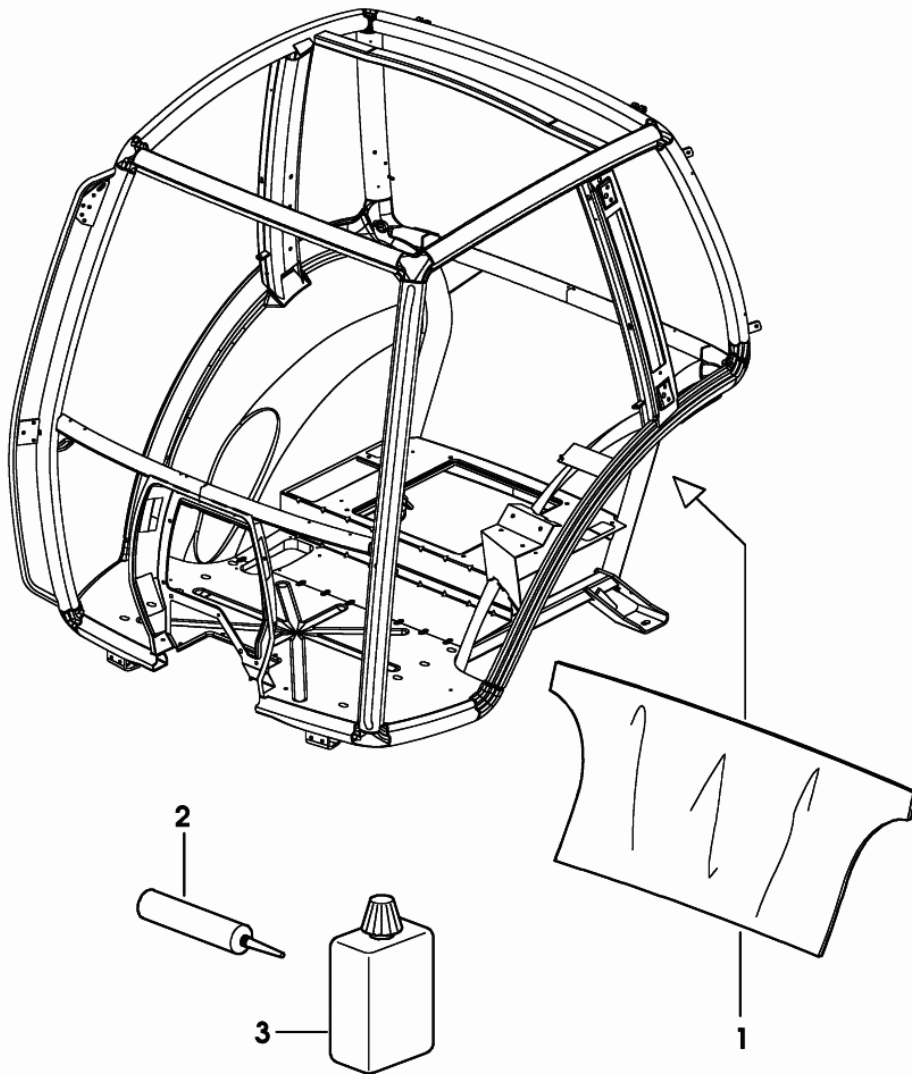


9_95071_02_0_B

Section: CAB

LOWER REAR WINDOW GLASS

Fig.	Code	QTY	Name
1	0.010.5210.0	1	glass
2	04414226	0	sealing compound HENKEL 211-342
3	04414225	0	genuine lubricants HENKEL 148785

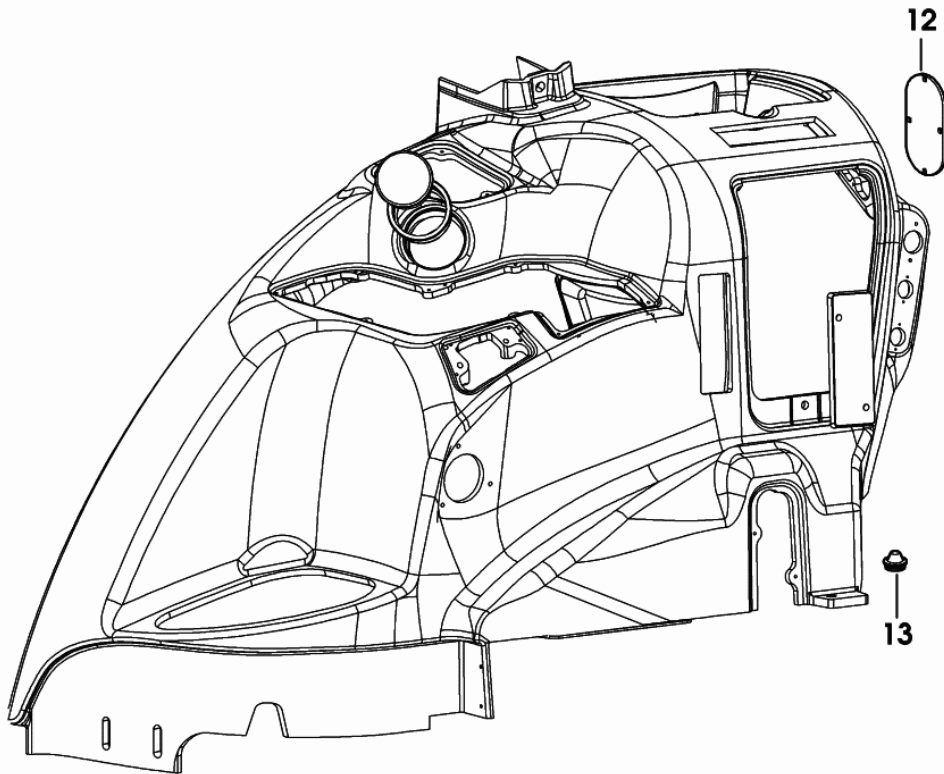


9_95071_18_0_0

Section: CAB

CONTROL CONSOLE RIGHT

Fig.	Code	QTY	Name
12	04429609	1	cover
13	04424188	1	rubber ring 16



9_95071_24_0_0

Section: CAB

ROOF WITH FRONT-OPENING HATCH

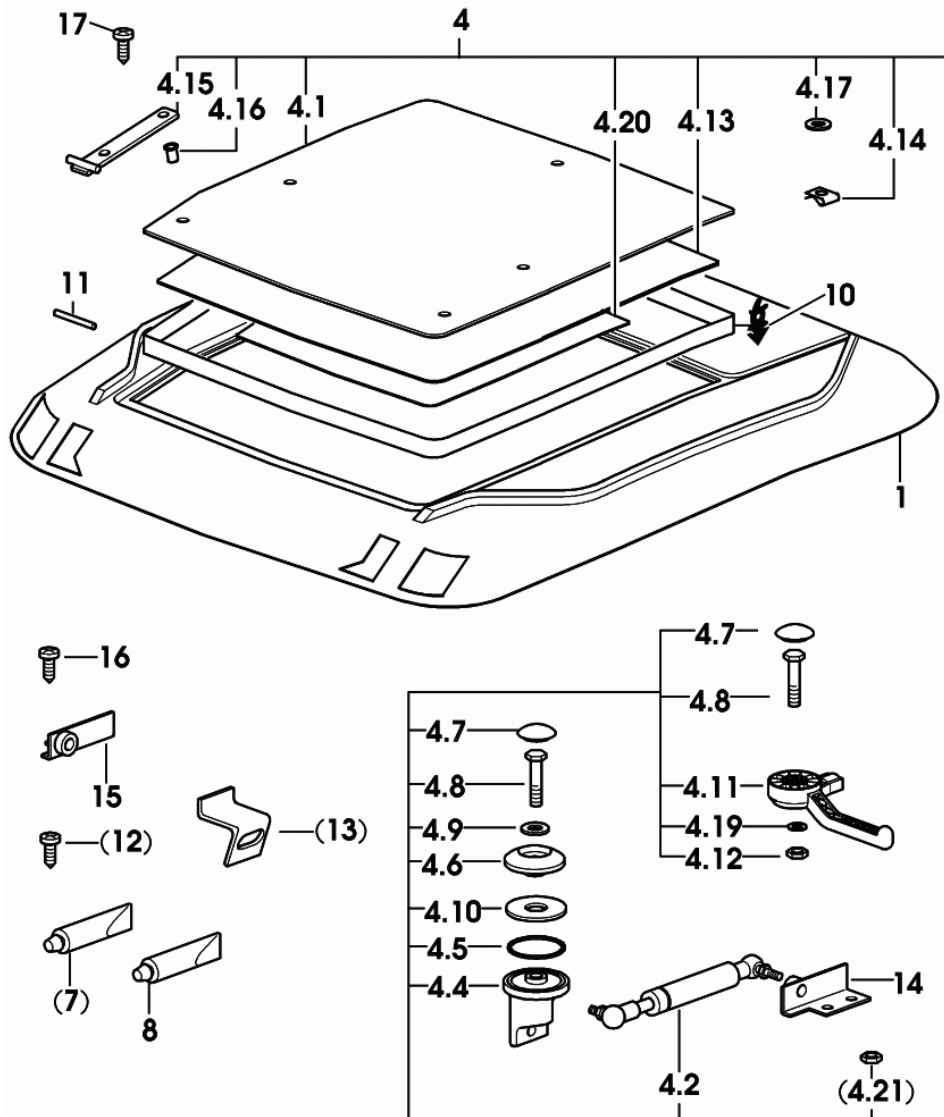
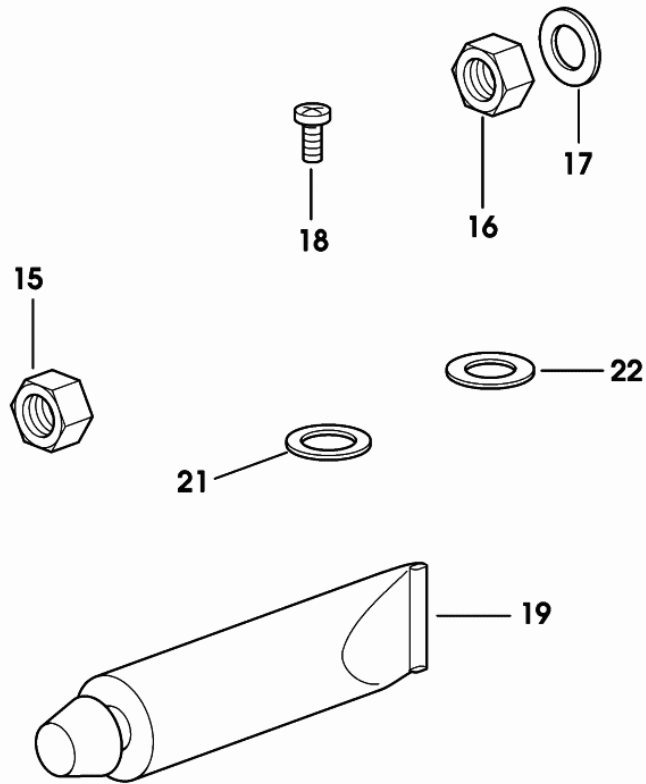


Fig.	Code	QTY	Name
1	04424631	1	sun roof
4	04429016.4/10	1	roof
4.1	04423606.4	1	roof
4.2	04414159	2	shoch.absorber
4.4	04418942	2	shoch.absorber
4.5	01166059	2	'o' ring 40x3
4.6	04412814	2	washer
4.7	04413793	3	cap
4.8	01112322	2	screw m 8 p.1.25 x 20
4.9	01136363	3	washer 8.4
4.10	04423119	4	washer
4.11	04426312	1	handle
4.12	01136452	1	nut vm 8 d980
4.13	04429023	1	lining
4.14	04424354	5	brace
4.15	04424352	2	hinge
4.16	04415867	4	stop
4.17	04415548	5	washer
4.19	04426324	1	washer
4.20	04439950	1	sound deadening
8	01016121	0	sealing compound
10	04418363	1	gasket
11	04418372	1	sealing section
14	04412343.4	1	consolle
15	04412344.4	1	consolle
16	04418662	4	screw m 6 x 25
17	04414187	4	screw m 6x18

9_95071_65_0_0

INTERIOR TRIM "HIGHT VISIBILITY"

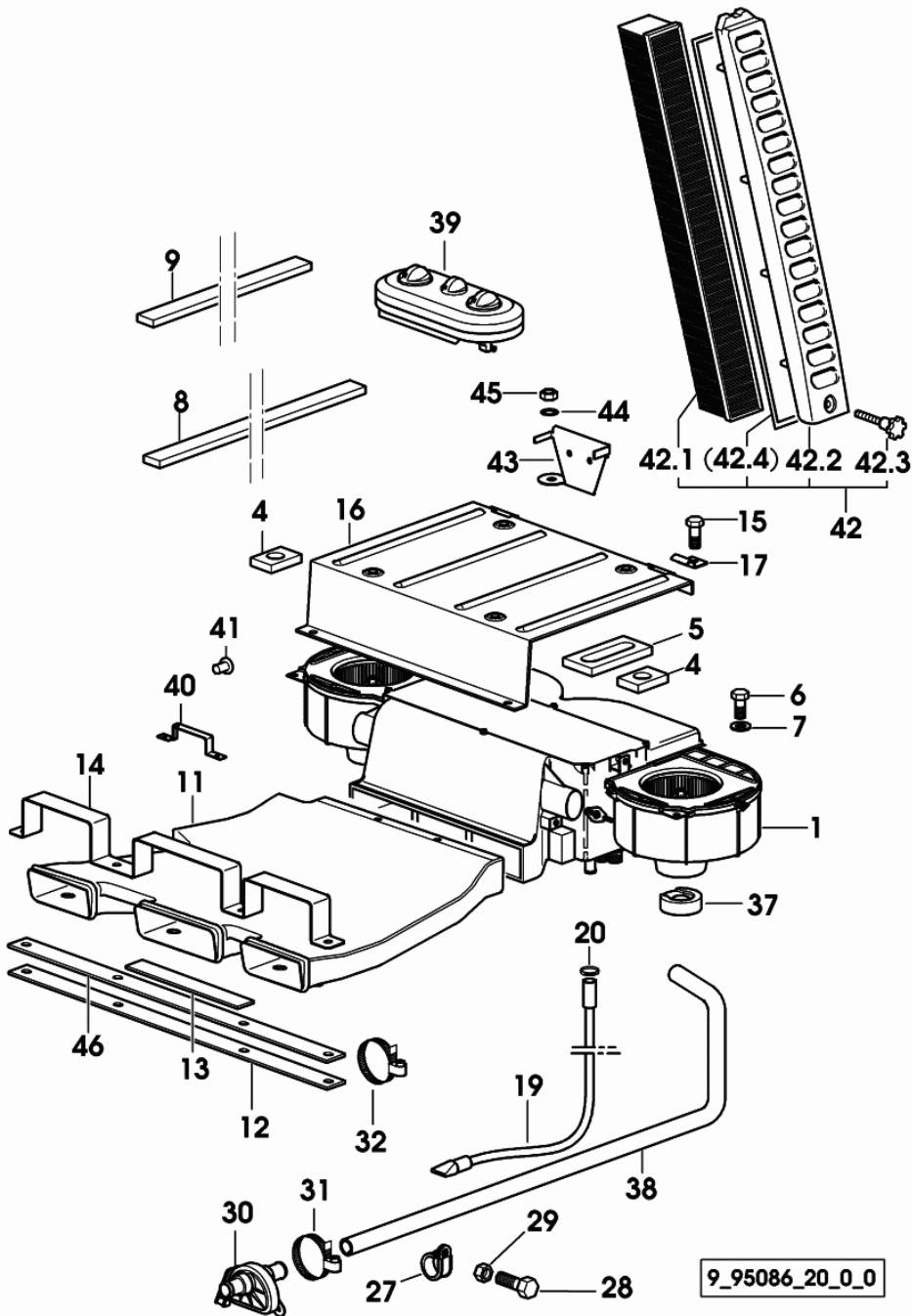
Fig.	Code	QTY	Name
15	01126749	6	nut m 10
16	01102659	6	nut m 10, d934
17	01127538	6	washer 10.5
18	01100894	2	screw 6.3x22
19	04425415	1	sealing compound 566.4
21	00810311	2	washer 6.4
22	04438115	0	gasket mm 20x15x4640



9_95071_68_0_B

Section: CAB
CLIMATE CONTROL SYSTEM

Fig.	Code	QTY	Name
1	0.010.9139.4/20	1	climatization kit COMPONENT PARTS SEE COMPONENTS LIST ☞ 0.010.9139.4/20 ☞ 0B.00.52
4	0.010.9418.0	2	gasket
5	0.010.9419.0	1	gasket
6	01112356	1	screw m 8 x 40
7	01107101	9	washer 8.4
8	04429589	1	gasket mm 538
9	04429583	1	gasket mm 412
11	0.010.8330.0/10	1	duct
12	0.010.8910.0	1	gasket
13	0.010.8911.0/10	3	gasket
14	0.010.8331.0	1	clamp
15	04426352	8	screw m 8 p.1.25 x 20
16	04429952.4	1	cover
17	0.010.6539.0/20	2	hinge
19	0.011.4589.3/10	2	flexible hose
20	2.6851.019.0	2	clamp Ø 13/20
27	01173053	2	clamp b 25x20
28	01123749	2	screw m 6 x 25
29	01112813	2	nut m 6
30	04429584	1	cock or tap
31	01137412	3	clamp
32	04423216	1	clamp
37	0.011.3245.0	2	block
38	04429761	1	tube
39	04429205.4	1	control grp. COMPONENT PARTS SEE COMPONENTS LIST ☞ 04429205.4 ☞ 0B.00.53
40	04429773	1	bracket
41	01172669	2	rivet 4.8x10.3
42	04425620.4/20	2	air filter
42.1	04411228	1	air filter element
42.2	04411230/10	1	guard
42.3	04411229	1	screw
43	04453445	1	bracket
44	2.1470.004.2	1	washer 8
45	2.1011.105.2	1	nut m 8 p.1.25
46	04429732	1	plate



ELECTRIC LIGHTING SYSTEM EXPORT U.S.A.

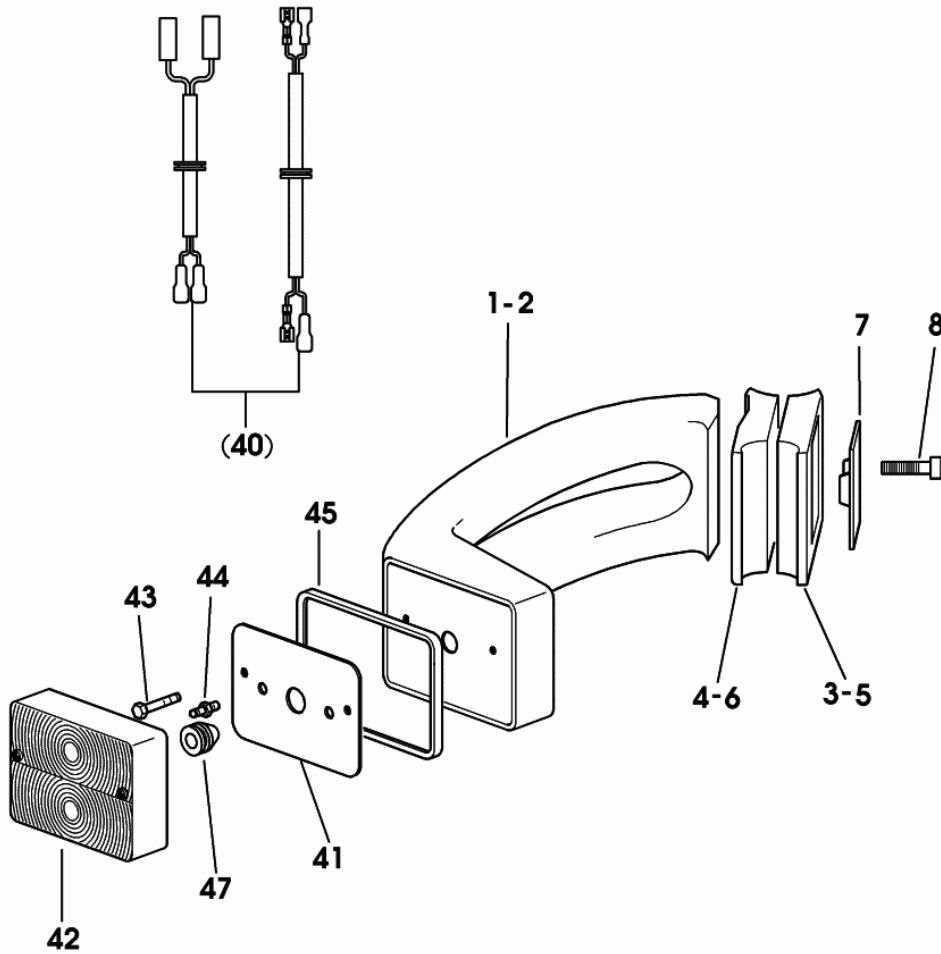
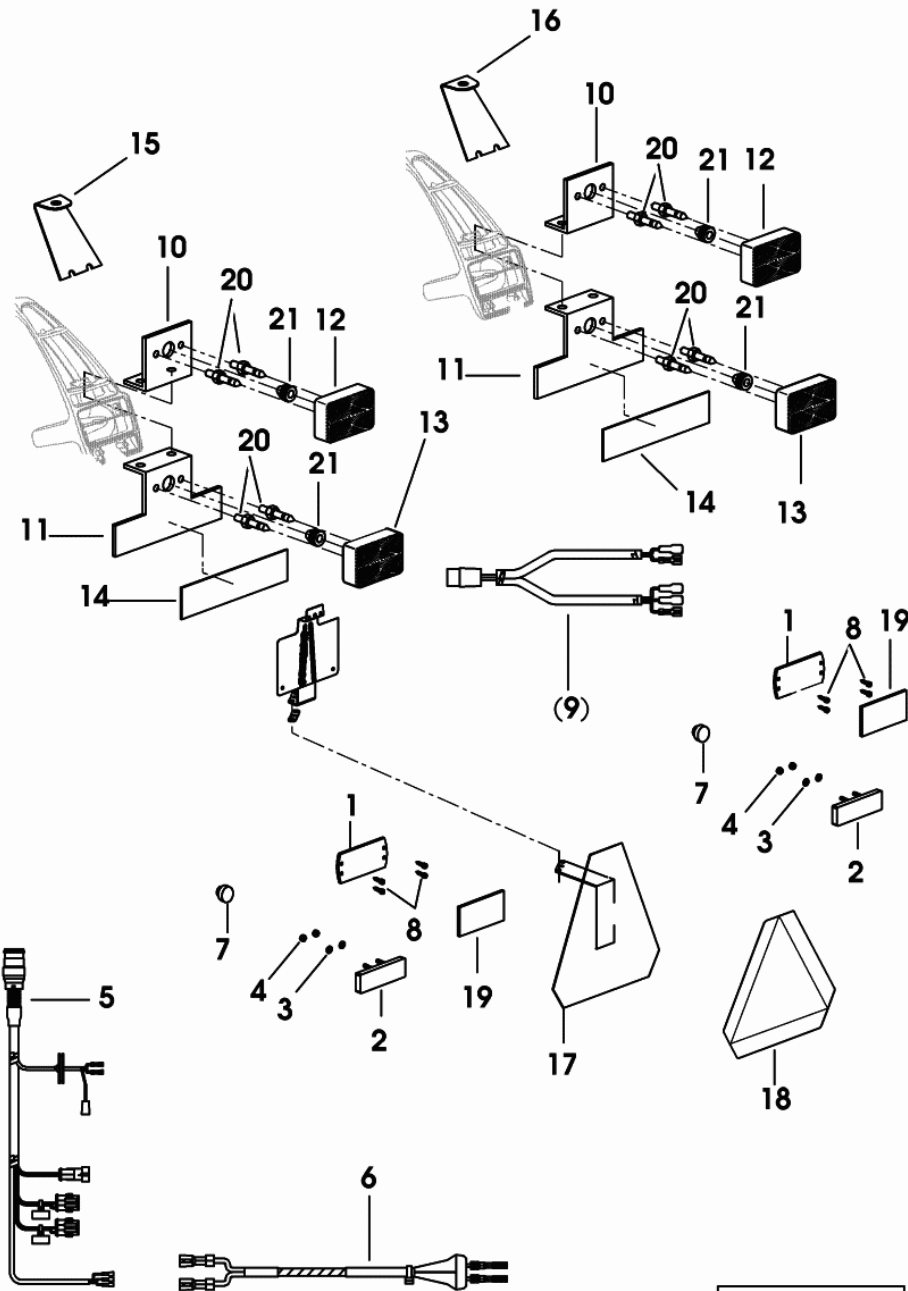


Fig.	Code	QTY	Name
1	04413222	1	support
2	04413222	1	support
3	04413186	1	guard sx/lh/li
4	04413187	1	guard sx/lh/li
5	04413188	1	guard dx/rh/re
6	04413189	1	guard dx/rh/re
7	04413190	2	diaphragm
8	04414580	6	screw m 8 x 30
41	0.012.9213.2/10	2	plate
42	2.8039.180.0/10	2	lamp
43	2.0332.310.2	4	screw m 5 x 35
44	0.012.9989.0	4	pin
45	0.013.0019.0	2	gasket
47	2.6569.018.0	2	wire guide 20 x 8 x 15

9_A3571_30_0_A

REAR LIGHTING SYSTEM WITH LARGE FENDER

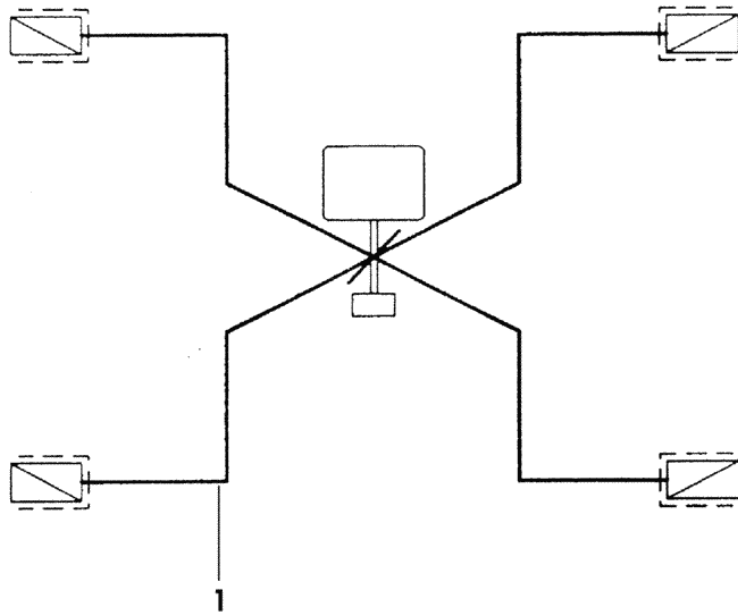
Fig.	Code	QTY	Name
1	0.012.9499.0	2	small plate
2	2.8349.012.0	2	reflector
3	2.1310.001.2	4	flat washer 5.3
4	2.1011.102.2	4	nut m 5 p.0.7
5	0.012.9733.4/10	2	electrical system
6	0.012.2018.4/10	1	electrical system
7	01172220	2	bottom
8	2.0350.454.3	8	screw m 4.2 x 13 -AB-
10	0.012.9178.2	2	support
11	0.012.9177.2	2	support
12	2.8039.180.0/10	2	lamp
	☞ 2.8039.180.0/10		
13	2.8039.190.0	2	lamp
	☞ 2.8039.190.0		
14	2.8349.013.0	2	reflector
15	04419696	1	lamination sx/lh/li
16	04419697	1	lamination dx/rh/re
17	0.012.9361.3/10	1	support
18	0.013.4584.0	1	plate SMV
19	0.012.9978.0	2	diaphragm
20	0.012.9989.0	8	pin
21	2.6569.018.0	4	wire guide 20 x 8 x 15



9_A3585_30_0_0

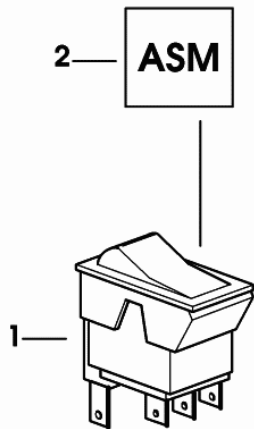
CABLE FOR FRONT AXLE WITHOUT ASM

Fig.	Code	QTY	Name
1	04418873	1	wire



ASM SWITCH

Fig.	Code	QTY	Name
1	04411498	1	switch
2	04411509	1	plate



9_95384_01_0_0

BATTERY SUPPORT AND LEADS

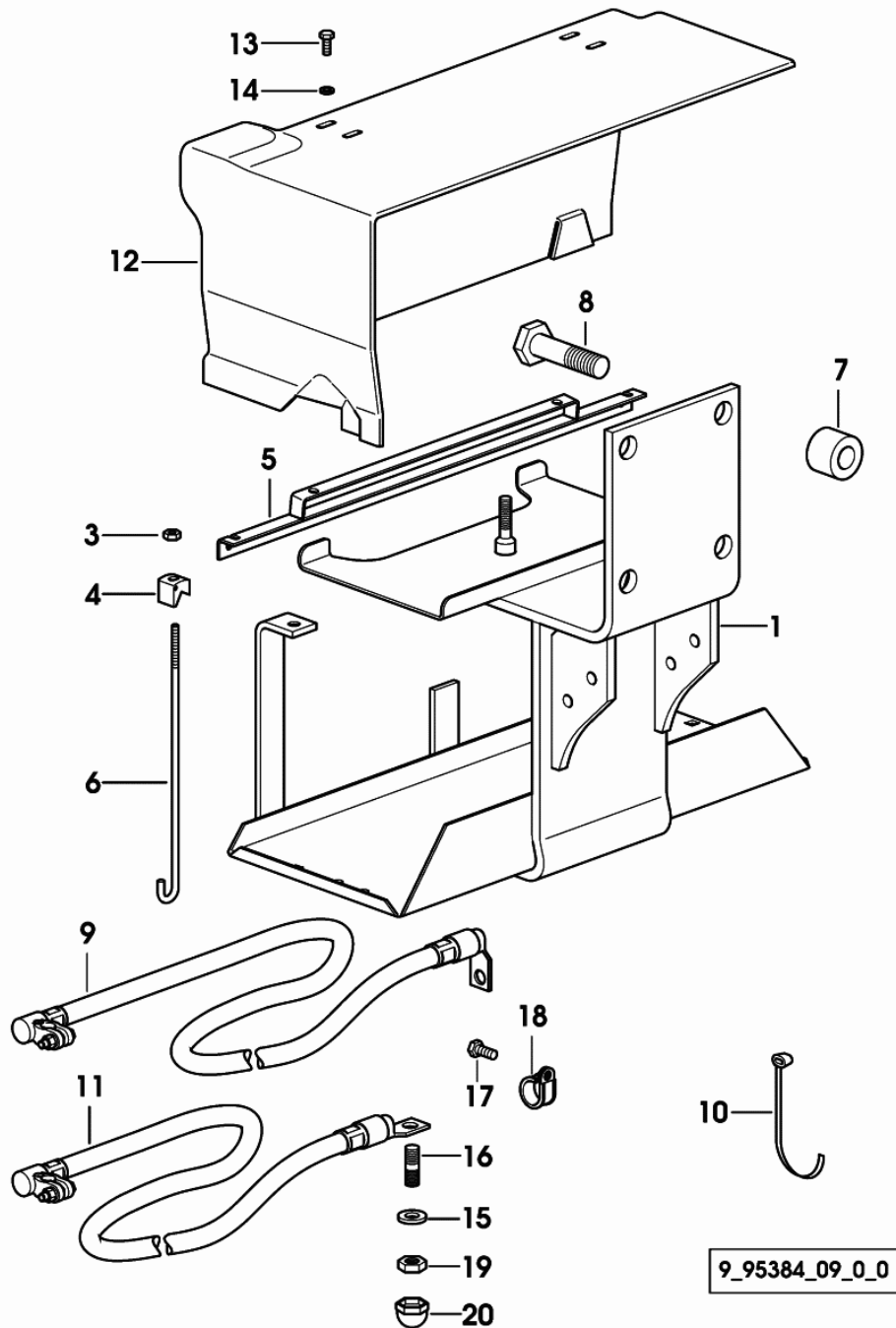


Fig.	Code	QTY	Name
1	04428852.4	1	battery support
3	01112813	2	nut m 6
4	04308811	2	support
5	04417869.4	1	rail
6	04314920	2	screw
7	04427061	4	bushing 20.5x40x30
8	01137619	4	screw m20x70
9	04422156	1	wire (+)
10	01176435	1	clamp
11	0.012.4029.4	1	wire (-)
12	04415880	1	cover
13	01103316	2	screw m 6 p.1.0 x 16
14	01151664	2	washer 6.4
15	01117872	1	lock washer
16	01113559	1	stud bolt m 12 x 35
17	01112322	1	screw m 8 p.1.25 x 20
18	01173182	1	clamp
19	01112858	1	nut m 12, d934
20	01174048	1	nut m 12 p.1,75

CLICK HERE TO **DOWNLOAD** THE COMPLETE MANUAL

- Thank you very much for reading the preview of the manual.
- You can download the complete manual from: www.heydownloads.com by clicking the link below



- Please note: If there is no response to CLICKING the link, please download this PDF first and then click on it.

CLICK HERE TO **DOWNLOAD** THE COMPLETE MANUAL

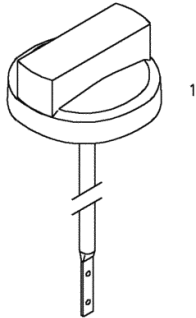
Section: ENGINE
FILLER CAP

Fig.	Code	QTY	Name
------	------	-----	------

Engine Serial Numbers:

886279 886280 886281 886282 886283 886284 886285 886286 886287 886288 886289 886290 886291 886292
 886293 890103 890104 890105 890106 890107 890108 890109 890110 890111 890112 890113 890114 890115
 890116 890117 890118 890119 890120 890121 890122 941998 941999 942000 942001 942002 942003 942004
 942005 942006 942007 942008 946739 946740 946741 946742 946743 946744 946745 946746 946747 946748
 946749 946750 946751 946752 946753 946754 946755 946756 946757 946758 946759 946760 951013 951014
 951015 951016 951017 951018 951019 951020 951021 951022 951023 951024 951025 951026 951027 951028
 951029 951030 951031 951032 951033 951034 951035 951036 951037 951038 951039 951040 951041 951042
 951043 951044 951045 951046 951047 955619 955620 955621 955622 955623 955624 955625 955626 960338
 960339 960340 960341 960342 960343 960344 960345 960346 960347 960348 960349 960350 960351 960352
 960353 960354 960355 961676 961677 961678 961679 961680 961681 961682 961683 961684 961685 964251
 964252 964253 964254 964255 964256 964257 964258 964259 964260 964261 964262 964263 964264 964265
 964266 964267 1025639 1025640 1025641 1025642 1025643 1025644 1025645 1025646 1025647 1025648 1025649
 1025650 1029062 1029063 1029064 1029065 1029066 1029067 1029068 1029069 1029070 1029071 1029072
 1029073 1029074 1029075 1029076 1029077 1029078 1030731 1030732 1030733 1030734 1030735 1030736
 1030737 1030738 1030739 1030740 1030741 1030742 1030743 1030744 1036303 1036304 1036311 1036312
 1037135 1037136 1037137 1037138 1037139 1037140 10013380 10013381 10013382 10013383 10013384 10013958
 10013959 10013960 10013961 10013962 10013963 10013964 10013965 10013966 10013967 10014330 10014331
 10014332 10014333 10014334 10014335 10014336 10014337 10014338 10014339 10014340 10014341 10014342
 10014343 10014344 10014345 10014346 10014347 10014348 10016236 10016237 10016238 10016239 10016240
 10016241 10016242 10016243 10016244 10016245 10016246 10016247 10016248 10016249 10016250

000 ©



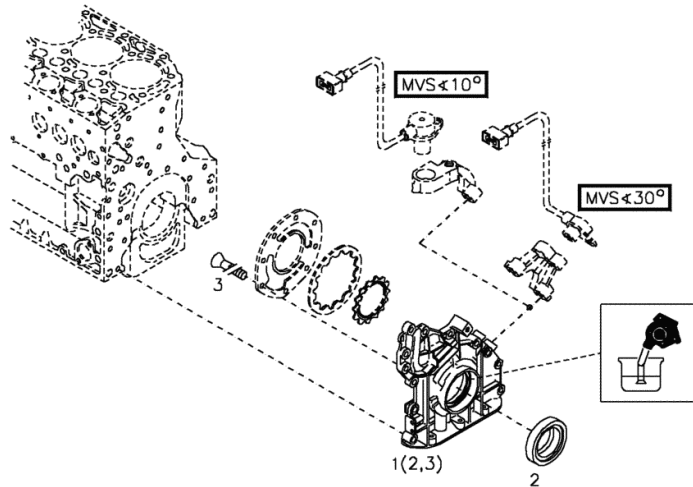
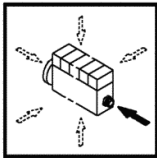
1	01180341	1	plug H 2875 -B2-OL40-166X4X145X15
---	----------	---	--------------------------------------

FLANGE

Fig.	Code	QTY	Name
------	------	-----	------

Engine Serial Numbers:

941998 941999 942000 942001 942002 942003 942004 942005 942006 942007 942008 946739 946740 946741
 946742 946743 946744 946745 946746 946747 946748 946749 946750 946751 946752 946753 946754 946755
 946756 946757 946758 946759 946760 951013 951014 951015 951016 951017 951018 951019 951020 951021
 951022 951023 951024 951025 951026 951027 951028 951029 951030 951031 951032 951033 951034 951035
 951036 951037 951038 951039 951040 951041 951042 951043 951044 951045 951046 951047 955619 955620
 955621 955622 955623 955624 955625 955626 960338 960339 960340 960341 960342 960343 960344 960345
 960346 960347 960348 960349 960350 960351 960352 960353 960354 960355 961676 961677 961678 961679
 961680 961681 961682 961683 961684 961685 964251 964252 964253 964254 964255 964256 964257 964258
 964259 964260 964261 964262 964263 964264 964265 964266 964267 1025639 1025640 1025641 1025642 1025643
 1025644 1025645 1025646 1025647 1025648 1025649 1025650 1029062 1029063 1029064 1029065 1029066
 1029067 1029068 1029069 1029070 1029071 1029072 1029073 1029074 1029075 1029076 1029077 1029078
 1030731 1030732 1030733 1030734 1030735 1030736 1030737 1030738 1030739 1030740 1030741 1030742
 1030743 1030744 1036303 1036304 1036311 1036312 1037135 1037136 1037137 1037138 1037139 1037140
 10013380 10013381 10013382 10013383 10013384 10013958 10013959 10013960 10013961 10013962 10013963
 10013964 10013965 10013966 10013967 10014330 10014331 10014332 10014333 10014334 10014335 10014336
 10014337 10014338 10014339 10014340 10014341 10014342 10014343 10014344 10014345 10014346 10014347
 10014348 10016236 10016237 10016238 10016239 10016240 10016241 10016242 10016243 10016244 10016245
 10016246 10016247 10016248 10016249 10016250



001 ©

1	04258382	1	oil pump kpl. WITH ITEM (2,3)
2	04253372	1	'o' ring
3	01133718	1	screw DIN 7991 -M6X16-8.8-A4C

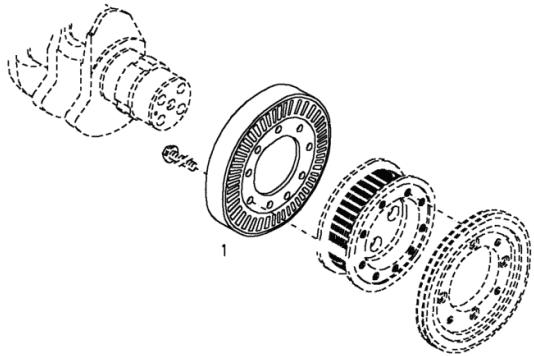
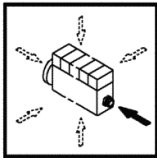
Section: ENGINE
VIBRATION DAMPER

Fig.	Code	QTY	Name
------	------	-----	------

Engine Serial Numbers:

886279 886280 886281 886282 886283 886284 886285 886286 886287 886288 886289 886290 886291 886292
 886293 890103 890104 890105 890106 890107 890108 890109 890110 890111 890112 890113 890114 890115
 890116 890117 890118 890119 890120 890121 890122 941998 941999 942000 942001 942002 942003 942004
 942005 942006 942007 942008 946739 946740 946741 946742 946743 946744 946745 946746 946747 946748
 946749 946750 946751 946752 946753 946754 946755 946756 946757 946758 946759 946760 951013 951014
 951015 951016 951017 951018 951019 951020 951021 951022 951023 951024 951025 951026 951027 951028
 951029 951030 951031 951032 951033 951034 951035 951036 951037 951038 951039 951040 951041 951042
 951043 951044 951045 951046 951047 955619 955620 955621 955622 955623 955624 955625 955626

000	© 1	04284116	1	dumper
-----	-----	----------	---	--------



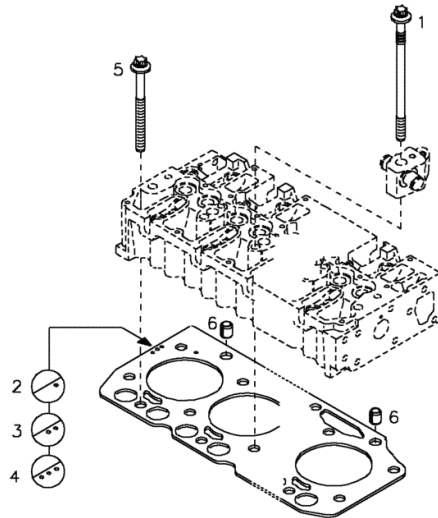
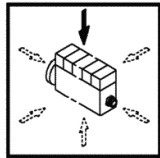
Section: ENGINE
FASTENINGS

Fig.	Code	QTY	Name
------	------	-----	------

Engine Serial Numbers:

886279 886280 886281 886282 886283 886284 886285 886286 886287 886288 886289 886290 886291 886292
 886293 890103 890104 890105 890106 890107 890108 890109 890110 890111 890112 890113 890114 890115
 890116 890117 890118 890119 890120 890121 890122 941998 941999 942000 942001 942002 942003 942004
 942005 942006 942007 942008 946739 946740 946741 946742 946743 946744 946745 946746 946747 946748
 946749 946750 946751 946752 946753 946754 946755 946756 946757 946758 946759 946760 951013 951014
 951015 951016 951017 951018 951019 951020 951021 951022 951023 951024 951025 951026 951027 951028
 951029 951030 951031 951032 951033 951034 951035 951036 951037 951038 951039 951040 951041 951042
 951043 951044 951045 951046 951047 955619 955620 955621 955622 955623 955624 955625 955626 960338
 960339 960340 960341 960342 960343 960344 960345 960346 960347 960348 960349 960350 960351 960352
 960353 960354 960355 961676 961677 961678 961679 961680 961681 961682 961683 961684 961685 964251
 964252 964253 964254 964255 964256 964257 964258 964259 964260 964261 964262 964263 964264 964265
 964266 964267 1025639 1025640 1025641 1025642 1025643 1025644 1025645 1025646 1025647 1025648 1025649
 1025650 1029062 1029063 1029064 1029065 1029066 1029067 1029068 1029069 1029070 1029071 1029072
 1029073 1029074 1029075 1029076 1029077 1029078 1030731 1030732 1030733 1030734 1030735 1030736
 1030737 1030738 1030739 1030740 1030741 1030742 1030743 1030744 1036303 1036304 1036311 1036312
 1037135 1037136 1037137 1037138 1037139 1037140 10013380 10013381 10013382 10013383 10013384 10013958
 10013959 10013960 10013961 10013962 10013963 10013964 10013965 10013966 10013967 10014330 10014331
 10014332 10014333 10014334 10014335 10014336 10014337 10014338 10014339 10014340 10014341 10014342
 10014343 10014344 10014345 10014346 10014347 10014348 10016236 10016237 10016238 10016239 10016240
 10016241 10016242 10016243 10016244 10016245 10016246 10016247 10016248 10016249 10016250

001 ©



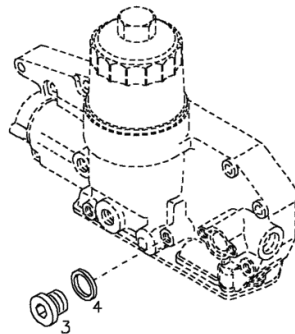
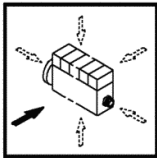
1	04251250	7	screw
2	04258165	1	gasket DEPENDENT ON MEASUREMENT RESULT SEAL THICKNESS -AS-DELIVERED CONDITION (A)= ...MM -ASSEMBLY CONDI
3	04258166	1	gasket DEPENDENT ON MEASUREMENT RESULT SEAL THICKNESS -AS-DELIVERED CONDITION (A)= ...MM -ASSEMBLY CONDI
4	04258167	1	gasket DEPENDENT ON MEASUREMENT RESULT SEAL THICKNESS -AS-DELIVERED CONDITION (A)= ...MM -ASSEMBLY CONDI
5	04251251	19	screw
6	01181405	2	grain H 2341 -B15X18-FE/ZN12C*

Section: ENGINE
CLOSING COMPONENTS

Fig.	Code	QTY	Name
------	------	-----	------

Engine Serial Numbers:

886279 886280 886281 886282 886283 886284 886285 886286 886287 886288 886289 886290 886291 886292
 886293 890103 890104 890105 890106 890107 890108 890109 890110 890111 890112 890113 890114 890115
 890116 890117 890118 890119 890120 890121 890122 941998 941999 942000 942001 942002 942003 942004
 942005 942006 942007 942008 946739 946740 946741 946742 946743 946744 946745 946746 946747 946748
 946749 946750 946751 946752 946753 946754 946755 946756 946757 946758 946759 946760 951013 951014
 951015 951016 951017 951018 951019 951020 951021 951022 951023 951024 951025 951026 951027 951028
 951029 951030 951031 951032 951033 951034 951035 951036 951037 951038 951039 951040 951041 951042
 951043 951044 951045 951046 951047 955619 955620 955621 955622 955623 955624 955625 955626 960338
 960339 960340 960341 960342 960343 960344 960345 960346 960347 960348 960349 960350 960351 960352
 960353 960354 960355 961676 961677 961678 961679 961680 961681 961682 961683 961684 961685 964251
 964252 964253 964254 964255 964256 964257 964258 964259 964260 964261 964262 964263 964264 964265
 964266 964267 1025639 1025640 1025641 1025642 1025643 1025644 1025645 1025646 1025647 1025648 1025649
 1025650 1029062 1029063 1029064 1029065 1029066 1029067 1029068 1029069 1029070 1029071 1029072
 1029073 1029074 1029075 1029076 1029077 1029078 1030731 1030732 1030733 1030734 1030735 1030736
 1030737 1030738 1030739 1030740 1030741 1030742 1030743 1030744 1036303 1036304 1036311 1036312
 1037135 1037136 1037137 1037138 1037139 1037140 10013380 10013381 10013382 10013383 10013384 10013958
 10013959 10013960 10013961 10013962 10013963 10013964 10013965 10013966 10013967 10014330 10014331
 10014332 10014333 10014334 10014335 10014336 10014337 10014338 10014339 10014340 10014341 10014342
 10014343 10014344 10014345 10014346 10014347 10014348 10016236 10016237 10016238 10016239 10016240
 10016241 10016242 10016243 10016244 10016245 10016246 10016247 10016248 10016249 10016250

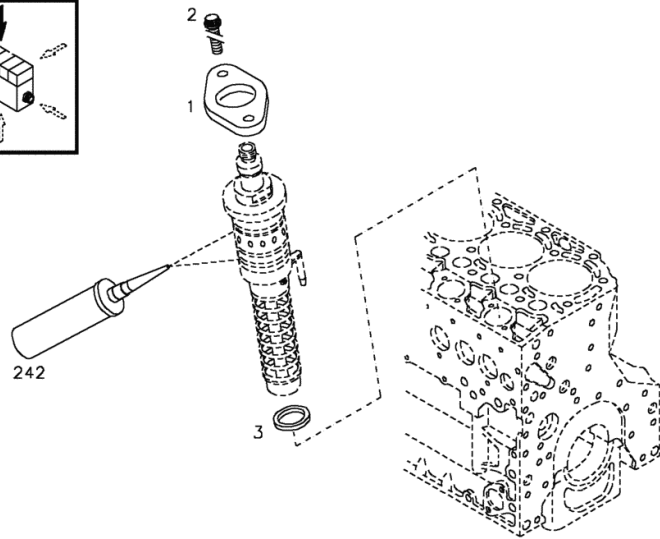
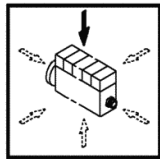


000 ©

3	01182177	1	screw H 2812 -908-M18X1,5-ST-A4C-PRE80*
4	01118713	1	washer 18.5 DIN 7603 -A18X22-CU

Section: ENGINE
FASTENINGS

Fig.	Code	QTY	Name
975	04204140	1	GASKET THICKNESS (A) = MM OTHER THICKNESSES SEE ITEM (B) AUTRES E shim mm 1.50 DEPENDENT ON MEASUREMENT RESULT
003 976	04204141	1	GASKET THICKNESS (A) = MM OTHER THICKNESSES SEE ITEM (B) AUTRES E shim mm 1.10 DEPENDENT ON MEASUREMENT RESULT GASKET THICKNESS (A) = MM OTHER THICKNESSES SEE ITEM (B) AUTRES E

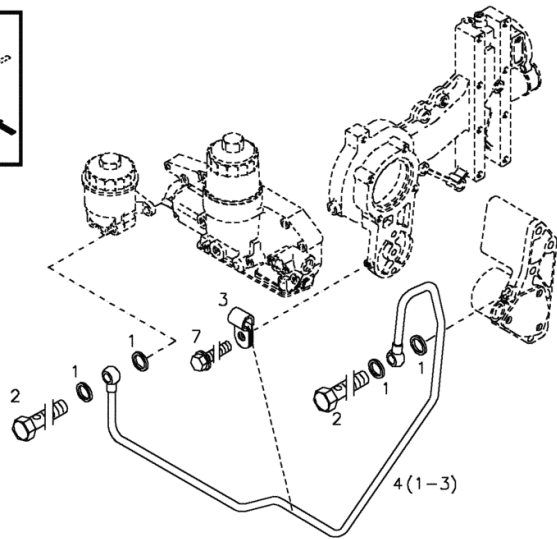
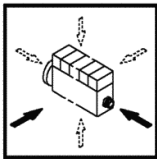


Section: ENGINE
FUEL LINE

Fig.	Code	QTY	Name
------	------	-----	------

Engine Serial Numbers:

886279 886280 886281 886282 886283 886284 886285 886286 886287 886288 886289 886290 886291 886292
 886293 890103 890104 890105 890106 890107 890108 890109 890110 890111 890112 890113 890114 890115
 890116 890117 890118 890119 890120 890121 890122 941998 941999 942000 942001 942002 942003 942004
 942005 942006 942007 942008 946739 946740 946741 946742 946743 946744 946745 946746 946747 946748
 946749 946750 946751 946752 946753 946754 946755 946756 946757 946758 946759 946760 951013 951014
 951015 951016 951017 951018 951019 951020 951021 951022 951023 951024 951025 951026 951027 951028
 951029 951030 951031 951032 951033 951034 951035 951036 951037 951038 951039 951040 951041 951042
 951043 951044 951045 951046 951047 955619 955620 955621 955622 955623 955624 955625 955626 960338
 960339 960340 960341 960342 960343 960344 960345 960346 960347 960348 960349 960350 960351 960352
 960353 960354 960355 961676 961677 961678 961679 961680 961681 961682 961683 961684 961685 964251
 964252 964253 964254 964255 964256 964257 964258 964259 964260 964261 964262 964263 964264 964265
 964266 964267 1025639 1025640 1025641 1025642 1025643 1025644 1025645 1025646 1025647 1025648 1025649
 1025650 1029062 1029063 1029064 1029065 1029066 1029067 1029068 1029069 1029070 1029071 1029072
 1029073 1029074 1029075 1029076 1029077 1029078 1030731 1030732 1030733 1030734 1030735 1030736
 1030737 1030738 1030739 1030740 1030741 1030742 1030743 1030744 1036303 1036304 1036311 1036312
 1037135 1037136 1037137 1037138 1037139 1037140 10013380 10013381 10013382 10013383 10013384 10013958
 10013959 10013960 10013961 10013962 10013963 10013964 10013965 10013966 10013967 10014330 10014331
 10014332 10014333 10014334 10014335 10014336 10014337 10014338 10014339 10014340 10014341 10014342
 10014343 10014344 10014345 10014346 10014347 10014348 10016236 10016237 10016238 10016239 10016240
 10016241 10016242 10016243 10016244 10016245 10016246 10016247 10016248 10016249 10016250



000 ©

1	01118693	4	gasket 14x20 DIN 7603 -A14X20-CU
2	01119246	2	pipe union H 3102 -D10 M H 3102 -D10M-ST-A4C
3	01175535	1	hose clip c 10x15 H 3223 -C10X15-ST/MVQ-1-70
4	02113021	1	piping WITH ITEM (1-3)
7	01181442	1	screw EN 1662 -F-M6X12-10.9-ZNAL-A

Section: ENGINE
CONTROL ROD

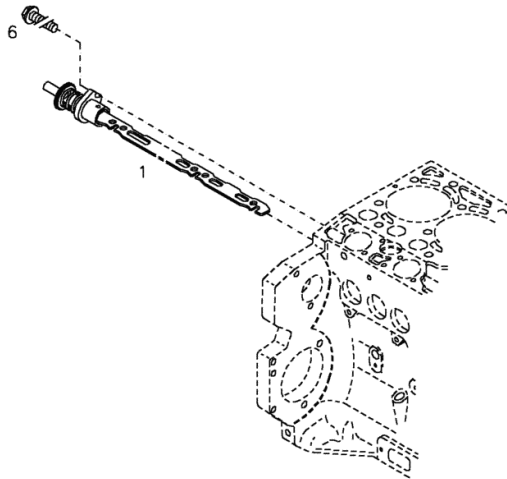
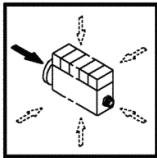
Fig.	Code	QTY	Name
------	------	-----	------

Engine Serial Numbers:

886279 886280 886281 886282 886283 886284 886285 886286 886287 886288 886289 886290 886291 886292
 886293 890103 890104 890105 890106 890107 890108 890109 890110 890111 890112 890113 890114 890115
 890116 890117 890118 890119 890120 890121 890122 941998 941999 942000 942001 942002 942003 942004
 942005 942006 942007 942008 946739 946740 946741 946742 946743 946744 946745 946746 946747 946748
 946749 946750 946751 946752 946753 946754 946755 946756 946757 946758 946759 946760 951013 951014
 951015 951016 951017 951018 951019 951020 951021 951022 951023 951024 951025 951026 951027 951028
 951029 951030 951031 951032 951033 951034 951035 951036 951037 951038 951039 951040 951041 951042
 951043 951044 951045 951046 951047 955619 955620 955621 955622 955623 955624 955625 955626 960338
 960339 960340 960341 960342 960343 960344 960345 960346 960347 960348 960349 960350 960351 960352
 960353 960354 960355 961676 961677 961678 961679 961680 961681 961682 961683 961684 961685 964251
 964252 964253 964254 964255 964256 964257 964258 964259 964260 964261 964262 964263 964264 964265
 964266 964267 1025639 1025640 1025641 1025642 1025643 1025644 1025645 1025646 1025647 1025648 1025649
 1025650 1029062 1029063 1029064 1029065 1029066 1029067 1029068 1029069 1029070 1029071 1029072
 1029073 1029074 1029075 1029076 1029077 1029078 1030731 1030732 1030733 1030734 1030735 1030736
 1030737 1030738 1030739 1030740 1030741 1030742 1030743 1030744 1036303 1036304 1036311 1036312
 1037135 1037136 1037137 1037138 1037139 1037140 10013380 10013381 10013382 10013383 10013384 10013958
 10013959 10013960 10013961 10013962 10013963 10013964 10013965 10013966 10013967 10014330 10014331
 10014332 10014333 10014334 10014335 10014336 10014337 10014338 10014339 10014340 10014341 10014342
 10014343 10014344 10014345 10014346 10014347 10014348 10016236 10016237 10016238 10016239 10016240
 10016241 10016242 10016243 10016244 10016245 10016246 10016247 10016248 10016249 10016250

003 ©

1	02111717	1	rod
6	01181773	1	screw H 2091 -1662-F-M8X20-LG2,5-10.9-ZNAL-

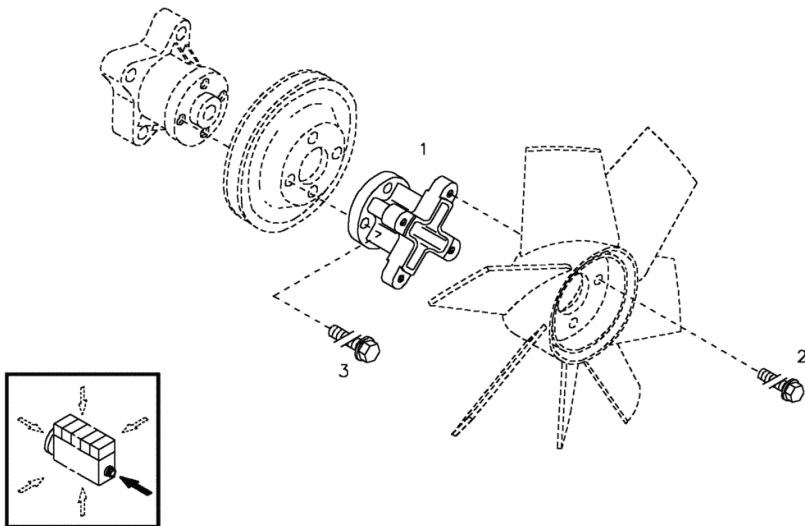


Section: ENGINE
FASTENINGS

Fig.	Code	QTY	Name
------	------	-----	------

Engine Serial Numbers:

886279 886280 886281 886282 886283 886284 886285 886286 886287 886288 886289 886290 886291 886292
 886293 890103 890104 890105 890106 890107 890108 890109 890110 890111 890112 890113 890114 890115
 890116 890117 890118 890119 890120 890121 890122 941998 941999 942000 942001 942002 942003 942004
 942005 942006 942007 942008 946739 946740 946741 946742 946743 946744 946745 946746 946747 946748
 946749 946750 946751 946752 946753 946754 946755 946756 946757 946758 946759 946760 951013 951014
 951015 951016 951017 951018 951019 951020 951021 951022 951023 951024 951025 951026 951027 951028
 951029 951030 951031 951032 951033 951034 951035 951036 951037 951038 951039 951040 951041 951042
 951043 951044 951045 951046 951047 955619 955620 955621 955622 955623 955624 955625 955626 960338
 960339 960340 960341 960342 960343 960344 960345 960346 960347 960348 960349 960350 960351 960352
 960353 960354 960355 961676 961677 961678 961679 961680 961681 961682 961683 961684 961685 964251
 964252 964253 964254 964255 964256 964257 964258 964259 964260 964261 964262 964263 964264 964265
 964266 964267



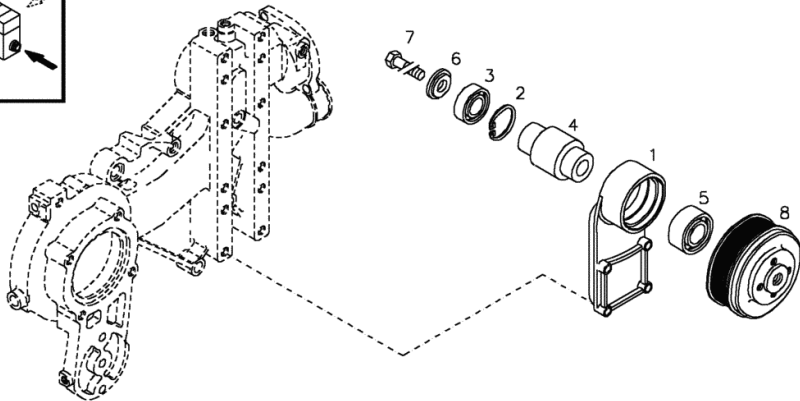
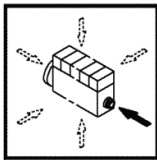
1	04209555	1	power control
2	01181433	4	screw EN 001662-F-M 8 X 20-LG 2,5-10.9-ZNAL-A
3	01181432	4	screw EN 001662-F-M 8 X 30- 10.9-ZNAL-A

Section: ENGINE
FAN SUPPORT

Fig.	Code	QTY	Name
------	------	-----	------

Engine Serial Numbers:

1025639 1025640 1025641 1025642 1025643 1025644 1025645 1025646 1025647 1025648 1025649 1025650
 1029062 1029063 1029064 1029065 1029066 1029067 1029068 1029069 1029070 1029071 1029072 1029073
 1029074 1029075 1029076 1029077 1029078 1030731 1030732 1030733 1030734 1030735 1030736 1030737
 1030738 1030739 1030740 1030741 1030742 1030743 1030744 1036303 1036304 1036311 1036312 1037135
 1037136 1037137 1037138 1037139 1037140 10013380 10013381 10013382 10013383 10013384 10013958
 10013959 10013960 10013961 10013962 10013963 10013964 10013965 10013966 10013967 10014330 10014331
 10014332 10014333 10014334 10014335 10014336 10014337 10014338 10014339 10014340 10014341 10014342
 10014343 10014344 10014345 10014346 10014347 10014348 10016236 10016237 10016238 10016239 10016240
 10016241 10016242 10016243 10016244 10016245 10016246 10016247 10016248 10016249 10016250



000 ©

1	04285544	1	bearing block
2	01107838	1	circlip DIN 472 -52X2
3	01179676	1	bearing H 4461 -6205-2RS-C3
4	04285630	1	shaft
5	01180964	1	ball bearing H 4462 -3305-OF-TN/PA66-GF25-2RS
6	04252084	1	disc
7	01148169	1	screw m 12 x 85 DIN 931 -M12LHX85-12.9-ZNAL-A
8	04285548	1	hub

Section: ENGINE
TURBOCHARGER

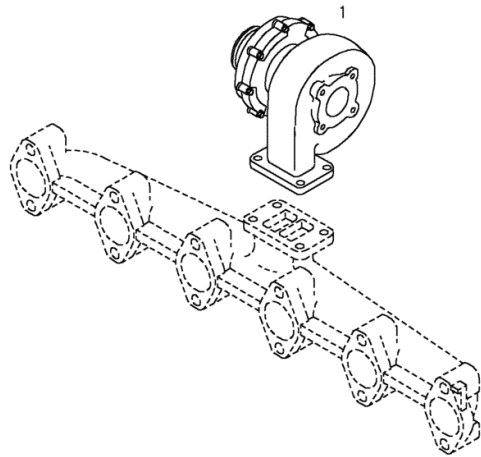
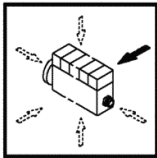
Fig.	Code	QTY	Name
------	------	-----	------

Engine Serial Numbers:

941998 941999 942000 942001 942002 942003 942004 942005 942006 942007 942008 946739 946740 946741
 946742 946743 946744 946745 946746 946747 946748 946749 946750 946751 946752 946753 946754 946755
 946756 946757 946758 946759 946760 951013 951014 951015 951016 951017 951018 951019 951020 951021
 951022 951023 951024 951025 951026 951027 951028 951029 951030 951031 951032 951033 951034 951035
 951036 951037 951038 951039 951040 951041 951042 951043 951044 951045 951046 951047 955619 955620
 955621 955622 955623 955624 955625 955626 960338 960339 960340 960341 960342 960343 960344 960345
 960346 960347 960348 960349 960350 960351 960352 960353 960354 960355 961676 961677 961678 961679
 961680 961681 961682 961683 961684 961685 964251 964252 964253 964254 964255 964256 964257 964258
 964259 964260 964261 964262 964263 964264 964265 964266 964267 1025639 1025640 1025641 1025642 1025643
 1025644 1025645 1025646 1025647 1025648 1025649 1025650 1029062 1029063 1029064 1029065 1029066
 1029067 1029068 1029069 1029070 1029071 1029072 1029073 1029074 1029075 1029076 1029077 1029078
 1030731 1030732 1030733 1030734 1030735 1030736 1030737 1030738 1030739 1030740 1030741 1030742
 1030743 1030744 1036303 1036304 1036311 1036312 1037135 1037136 1037137 1037138 1037139 1037140

000 ©

1	04288172	1	turbo charger
---	----------	---	---------------

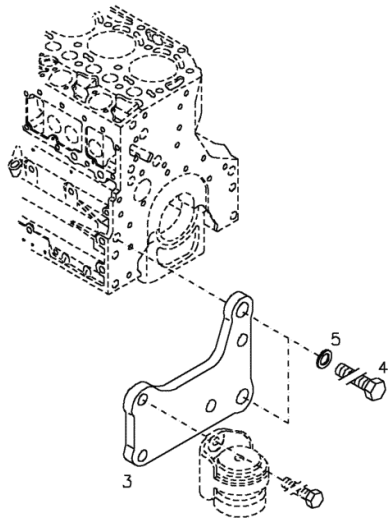
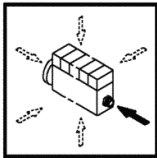


Section: ENGINE
ACCESSORIES

Fig.	Code	QTY	Name
------	------	-----	------

Engine Serial Numbers:

886279 886280 886281 886282 886283 886284 886285 886286 886287 886288 886289 886290 886291 886292
 886293 890103 890104 890105 890106 890107 890108 890109 890110 890111 890112 890113 890114 890115
 890116 890117 890118 890119 890120 890121 890122 941998 941999 942000 942001 942002 942003 942004
 942005 942006 942007 942008 946739 946740 946741 946742 946743 946744 946745 946746 946747 946748
 946749 946750 946751 946752 946753 946754 946755 946756 946757 946758 946759 946760 951013 951014
 951015 951016 951017 951018 951019 951020 951021 951022 951023 951024 951025 951026 951027 951028
 951029 951030 951031 951032 951033 951034 951035 951036 951037 951038 951039 951040 951041 951042
 951043 951044 951045 951046 951047 955619 955620 955621 955622 955623 955624 955625 955626 960338
 960339 960340 960341 960342 960343 960344 960345 960346 960347 960348 960349 960350 960351 960352
 960353 960354 960355 961676 961677 961678 961679 961680 961681 961682 961683 961684 961685 964251
 964252 964253 964254 964255 964256 964257 964258 964259 964260 964261 964262 964263 964264 964265
 964266 964267 1025639 1025640 1025641 1025642 1025643 1025644 1025645 1025646 1025647 1025648 1025649
 1025650 1029062 1029063 1029064 1029065 1029066 1029067 1029068 1029069 1029070 1029071 1029072
 1029073 1029074 1029075 1029076 1029077 1029078 1030731 1030732 1030733 1030734 1030735 1030736
 1030737 1030738 1030739 1030740 1030741 1030742 1030743 1030744 1036303 1036304 1036311 1036312
 1037135 1037136 1037137 1037138 1037139 1037140 10013380 10013381 10013382 10013383 10013384 10013958
 10013959 10013960 10013961 10013962 10013963 10013964 10013965 10013966 10013967 10014330 10014331
 10014332 10014333 10014334 10014335 10014336 10014337 10014338 10014339 10014340 10014341 10014342
 10014343 10014344 10014345 10014346 10014347 10014348 10016236 10016237 10016238 10016239 10016240
 10016241 10016242 10016243 10016244 10016245 10016246 10016247 10016248 10016249 10016250



002 ©

3	04256348	1	console
4	01112683	2	screw m 16 x 40 ISO 4017 -M16X40-10.9-A4C
5	01181400	2	washer H 2308 -18X25X1,5-A4C

Section: ENGINE
ACCESSORIES

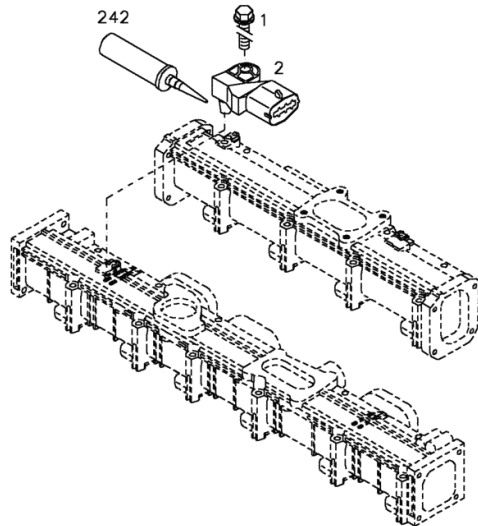
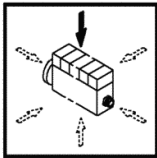
Fig.	Code	QTY	Name
------	------	-----	------

Engine Serial Numbers:

941998 941999 942000 942001 942002 942003 942004 942005 942006 942007 942008 946739 946740 946741
 946742 946743 946744 946745 946746 946747 946748 946749 946750 946751 946752 946753 946754 946755
 946756 946757 946758 946759 946760 951013 951014 951015 951016 951017 951018 951019 951020 951021
 951022 951023 951024 951025 951026 951027 951028 951029 951030 951031 951032 951033 951034 951035
 951036 951037 951038 951039 951040 951041 951042 951043 951044 951045 951046 951047 955619 955620
 955621 955622 955623 955624 955625 955626 960338 960339 960340 960341 960342 960343 960344 960345
 960346 960347 960348 960349 960350 960351 960352 960353 960354 960355 961676 961677 961678 961679
 961680 961681 961682 961683 961684 961685 964251 964252 964253 964254 964255 964256 964257 964258
 964259 964260 964261 964262 964263 964264 964265 964266 964267 1025639 1025640 1025641 1025642 1025643
 1025644 1025645 1025646 1025647 1025648 1025649 1025650 1029062 1029063 1029064 1029065 1029066
 1029067 1029068 1029069 1029070 1029071 1029072 1029073 1029074 1029075 1029076 1029077 1029078
 1030731 1030732 1030733 1030734 1030735 1030736 1030737 1030738 1030739 1030740 1030741 1030742
 1030743 1030744 1036303 1036304 1036311 1036312 1037135 1037136 1037137 1037138 1037139 1037140
 10013380 10013381 10013382 10013383 10013384 10013958 10013959 10013960 10013961 10013962 10013963
 10013964 10013965 10013966 10013967 10014330 10014331 10014332 10014333 10014334 10014335 10014336
 10014337 10014338 10014339 10014340 10014341 10014342 10014343 10014344 10014345 10014346 10014347
 10014348 10016236 10016237 10016238 10016239 10016240 10016241 10016242 10016243 10016244 10016245
 10016246 10016247 10016248 10016249 10016250

000 ©

1	01181965	1	screw EN 1662 -F-M6X20-10.9-ZNAL-A
2	04194078	1	sensor
242	01016105	1	sealing compound



Section: ENGINE
CLOSING COMPONENTS

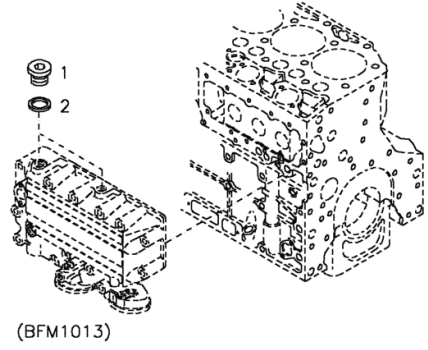
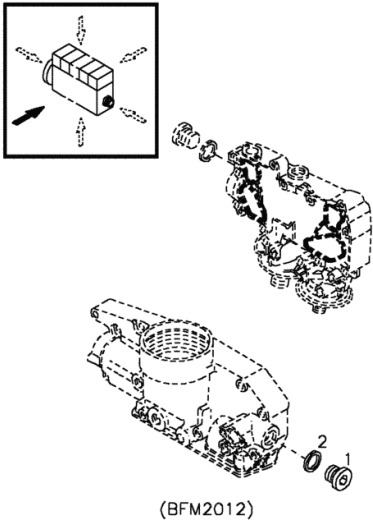
Fig.	Code	QTY	Name
------	------	-----	------

Engine Serial Numbers:

941998 941999 942000 942001 942002 942003 942004 942005 942006 942007 942008 946739 946740 946741
 946742 946743 946744 946745 946746 946747 946748 946749 946750 946751 946752 946753 946754 946755
 946756 946757 946758 946759 946760 951013 951014 951015 951016 951017 951018 951019 951020 951021
 951022 951023 951024 951025 951026 951027 951028 951029 951030 951031 951032 951033 951034 951035
 951036 951037 951038 951039 951040 951041 951042 951043 951044 951045 951046 951047 955619 955620
 955621 955622 955623 955624 955625 955626 960338 960339 960340 960341 960342 960343 960344 960345
 960346 960347 960348 960349 960350 960351 960352 960353 960354 960355 961676 961677 961678 961679
 961680 961681 961682 961683 961684 961685 964251 964252 964253 964254 964255 964256 964257 964258
 964259 964260 964261 964262 964263 964264 964265 964266 964267 1025639 1025640 1025641 1025642 1025643
 1025644 1025645 1025646 1025647 1025648 1025649 1025650 1029062 1029063 1029064 1029065 1029066
 1029067 1029068 1029069 1029070 1029071 1029072 1029073 1029074 1029075 1029076 1029077 1029078
 1030731 1030732 1030733 1030734 1030735 1030736 1030737 1030738 1030739 1030740 1030741 1030742
 1030743 1030744 1036303 1036304 1036311 1036312 1037135 1037136 1037137 1037138 1037139 1037140
 10013380 10013381 10013382 10013383 10013384 10013958 10013959 10013960 10013961 10013962 10013963
 10013964 10013965 10013966 10013967 10014330 10014331 10014332 10014333 10014334 10014335 10014336
 10014337 10014338 10014339 10014340 10014341 10014342 10014343 10014344 10014345 10014346 10014347
 10014348 10016236 10016237 10016238 10016239 10016240 10016241 10016242 10016243 10016244 10016245
 10016246 10016247 10016248 10016249 10016250

002 ©

1	01148158	2	plug DIN 908 -M26X1,5-ST-A4C
2	01118760	2	gasket 26x31 DIN 7603 -A26X31-CU



P.T.O. SHAFT DRIVE

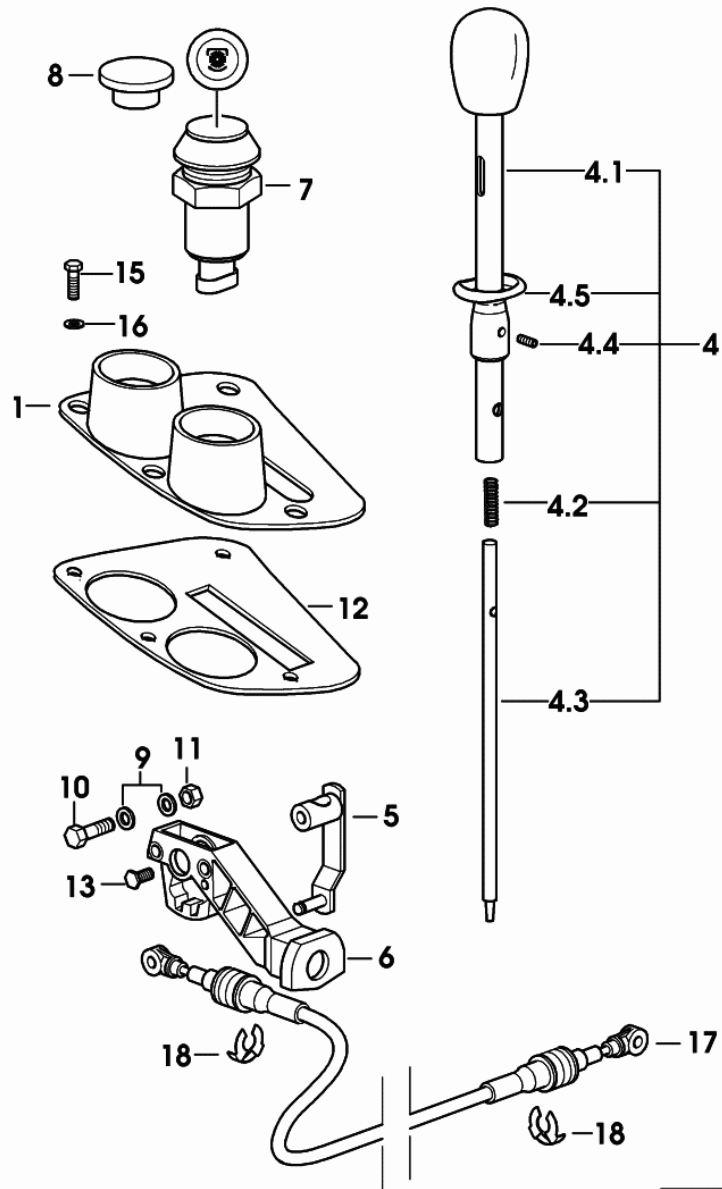
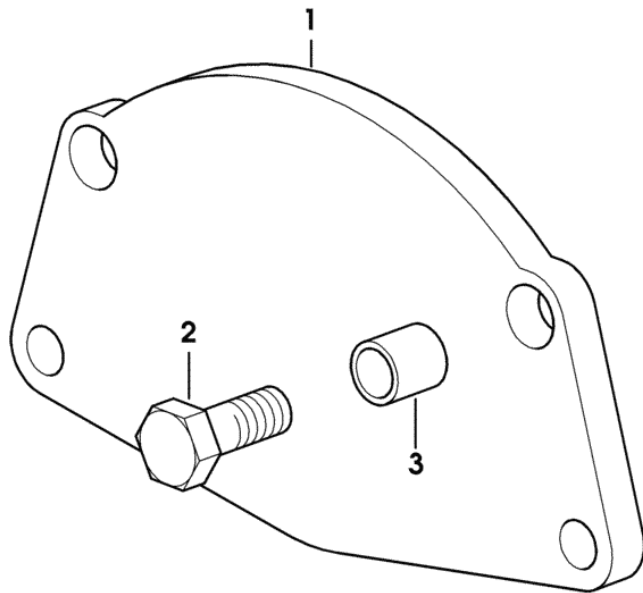


Fig.	Code	QTY	Name
1	04429373	1	plate
4	04452926.4	1	operation
4.1	04452924	1	lever
4.2	04426194	1	spring
4.3	04429555	1	rod
4.4	01144807	1	screw
4.5	04411645	1	support
5	04423032.4	1	lever
6	04425448/10	1	support
7	04411533	1	switch
8	01172220	1	bottom
9	01138374	4	washer 8,4x21x4
10	01124457	2	screw m 8 x 45
11	01136452	2	nut vm 8 d980
12	04429328.4	1	crosspiece
13	04423712	1	screw
15	04429756	4	screw
16	01139990	4	washer
17	04429751	1	rod mm 2520
18	04418159	2	circlip

9_95368_06_0_0

FRONT COVER WITHOUT FRONT HOOK

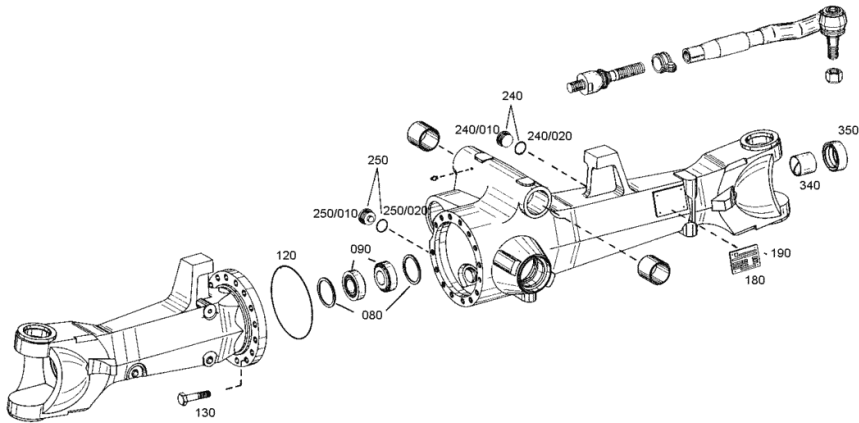
Fig.	Code	QTY	Name
1	04422634	1	lamination
2	01112687	4	screw m 16 x 40
3	04388695	2	bushing 17x22x23
4	01167317	12	plug 14.5X11.5X21



9_95052_31_0_0

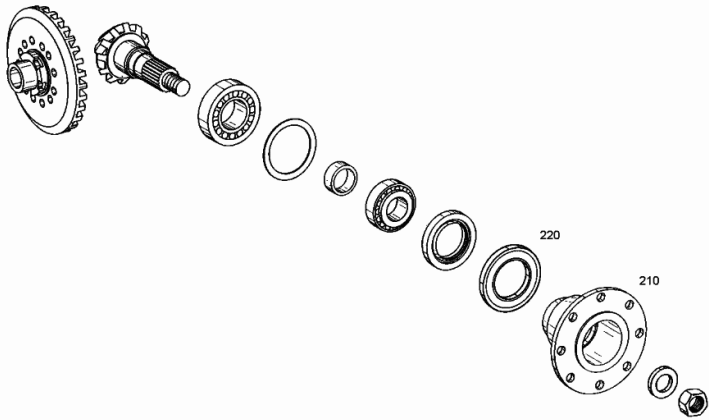
DRIVEN FRONT AXLE - WITH SELF-LOCKING DISC DIFF LOCK - FOR TYPES WITHOUT "ASM SYSTEM" ZF

Fig.	Code	QTY	Name
240	0.000.0000.1	1	not serviceable
240.10	0.010.2921.2	1	plug m 36 p.1.5
240.20	0.010.3352.0	1	'o' ring 33x2.2
250	0.000.0000.1	1	not serviceable
250.10	0.010.2921.2	1	plug m 36 p.1.5
250.20	0.010.3352.0	1	'o' ring 33x2.2
340	04424496	2	bushing
350	0.010.3827.0	2	circlip 46x65x21



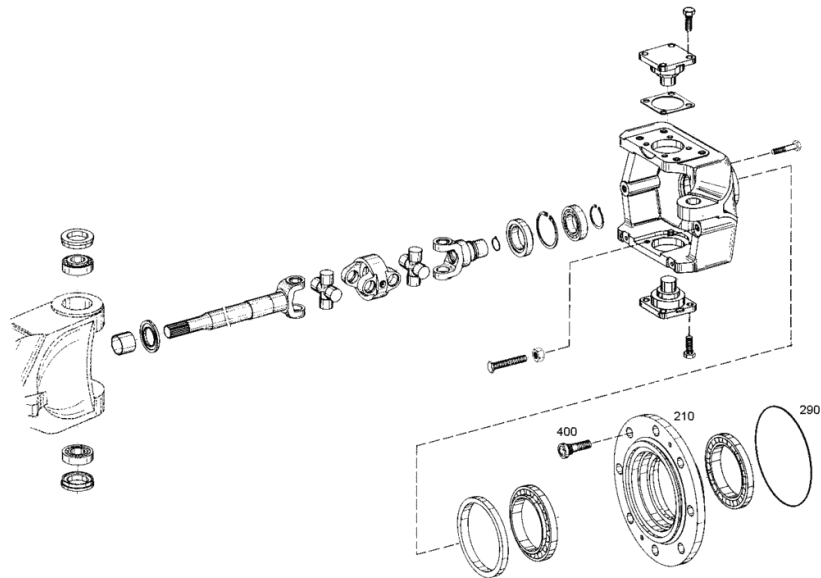
BEVEL WHEEL GEAR - WITH SELF-LOCKING DISC DIFF LOCK ZF

Fig.	Code	QTY	Name
210	04415330	1	flange
220	04415331	1	guard



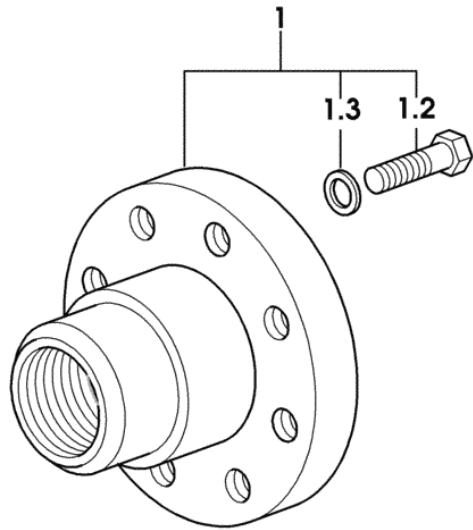
REAR AXLE - STUB AXLE - FOR TYPES WITHOUT "ASM SYSTEM" ZF

Fig.	Code	QTY	Name
210	04415067	2	hub
290	0.010.2935.2	2	'o' ring 200x3
400	04423357	16	screw



Section: GEAR
FILEX COUPLING

Fig.	Code	QTY	Name
1	04415695.4	1	filex coupling
1.2	01103734	8	screw m8x55 d931-10
1.3	01107548	8	washer 8.4

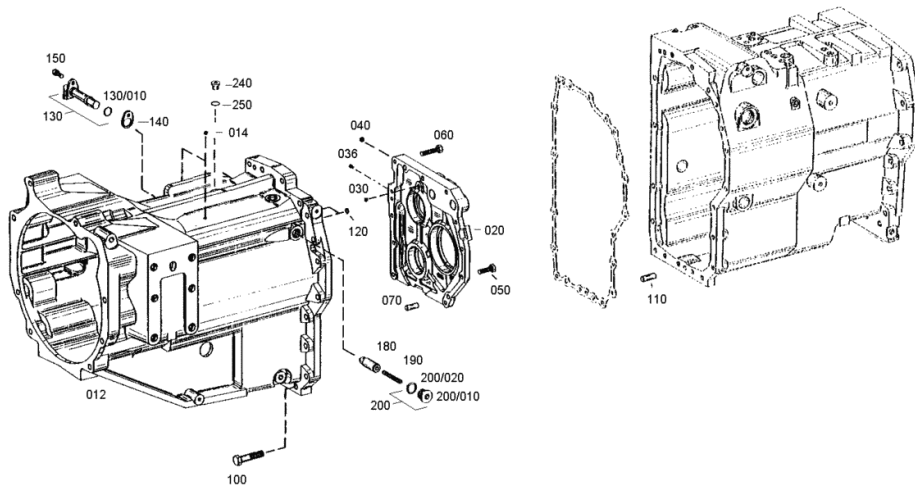


9_95330_01_0_0

Section: GEAR

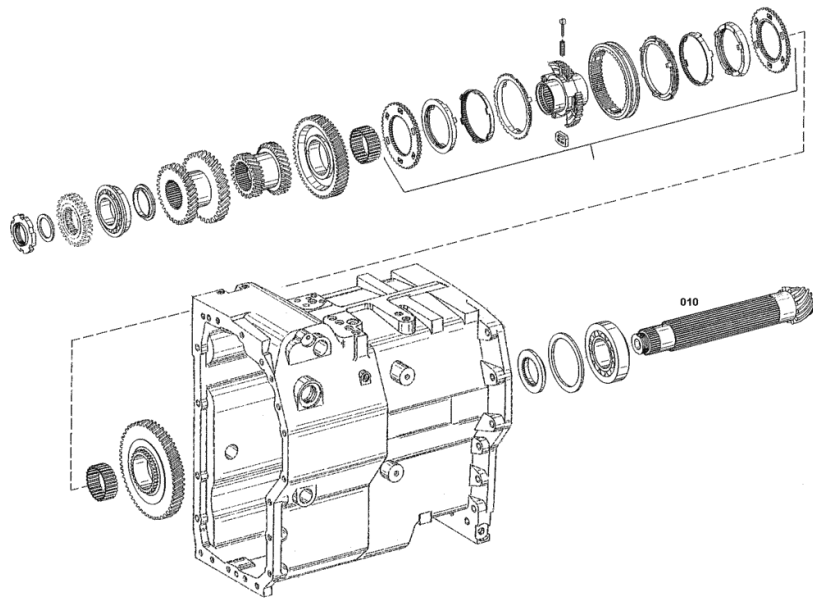
GEARBOX WITH HYDRAULIC SHUTTLE

Fig.	Code	QTY	Name
12	04416961	1	box
14	04309268	7	ball
20	04419771	1	cover
30	04309268	3	ball
36	0.010.2626.2	1	screw m 12x10
40	04416962	1	ball
50	0.010.2616.1	7	screw m 10x32
60	0.010.2886.2	3	screw m 10 p.1.5 x 45
70	0.010.2887.0	2	pin 12x32
100	0.010.2887.1	20	screw m 14 x 60
110	04415073	2	cylindrical plug 14 m 6x40
120	01160038	2	'o' ring
130	04438449	1	position sensor
130.10	04417747	1	'o' ring 15.54x2.62
140	04417238	1	ring
150	04434551	1	screw m 8 p.1.25 x 20
180	04415971	1	small piston
190	04415972	1	spring
200	0.000.0000.1	1	not serviceable
200.10	04436295	1	screw m 24 p.1.5
200.20	04436296	1	ring 21x2
240	0.010.2909.0	1	plug m 16 p.1.5
250	04436331	1	'o' ring 16 x 20



Section: GEAR
MAIN SHAFT

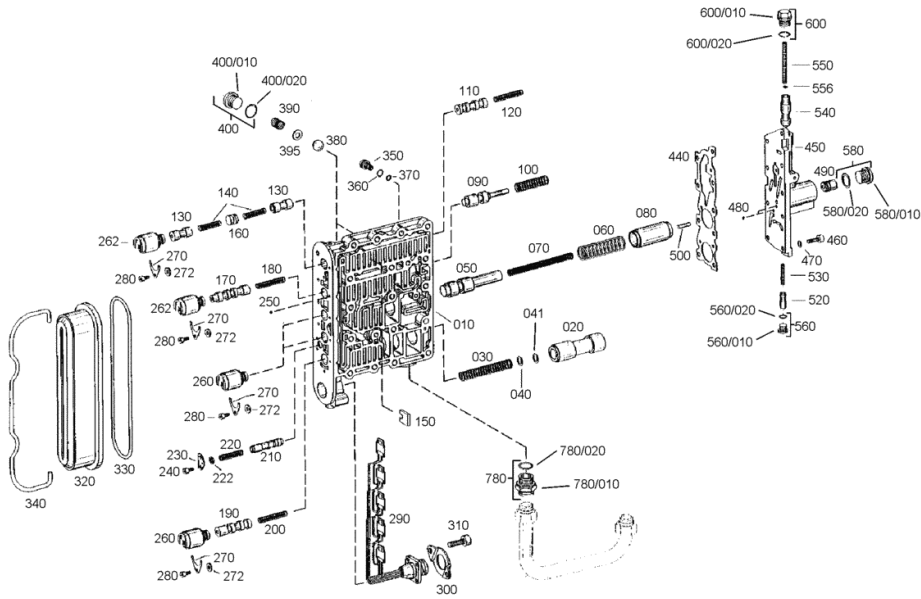
Fig.	Code	QTY	Name
10	04415764	1	main shaft Z = 12



Section: GEAR

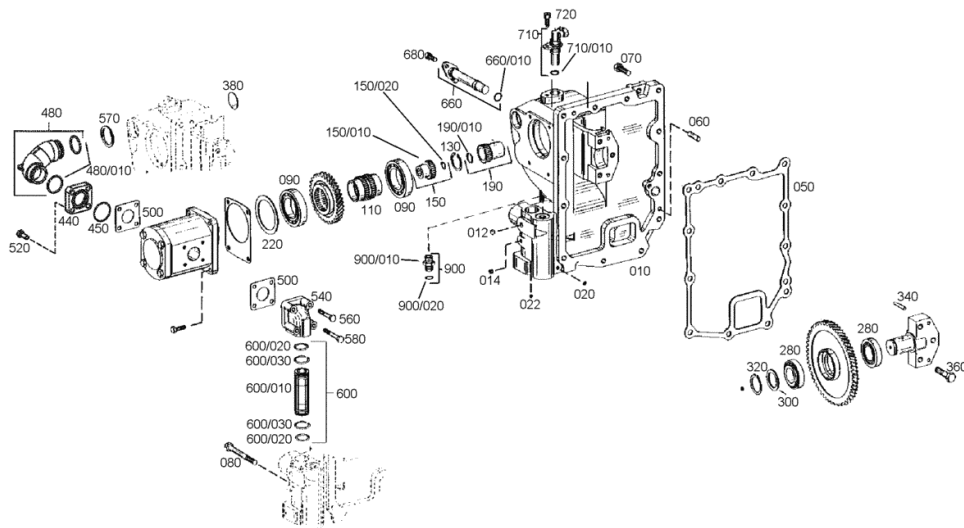
CONTROL UNIT - WITH HYDRAULIC SHUTTLE

Fig.	Code	QTY	Name
350	04416693	1	diaphragm mm 0.7
360	04415683	1	'o' ring 8x1.5
370	0.010.2618.1	1	'o' ring 6x1.5
380	04416839	2	ball
390	04416942	2	spring
395	04416661	2	shim mm 10x16x1
400	0.000.0000.1	3	not serviceable
400.10	0.010.2618.2	3	screw m 18 p.1.5
400.20	02968175	3	'o' ring 15x2
440	04416694	1	gasket
450	04416840	1	box
460	04434508	9	screw m 6 x 20
470	04416841	9	washer 6.4x12
480	04416684	5	ball
490	04416847	1	piston mm 20.5
490	04416848	1	piston mm 21.0
490	04416849	1	piston mm 21.5
490	04416850	1	piston mm 22.0
490	04417967	1	piston mm 22.5
490	04417968	1	piston mm 23.0
500	04416842	1	roller
520	04416843	1	piston
530	04416846	1	spring
540	04416844	1	piston
550	04416845	1	spring
556	04416851	1	shim 4x8x0.5
560	0.000.0000.1	1	not serviceable
560.10	0.010.2617.3	1	screw m 12 p.1.5
560.20	04415796	1	'o' ring 9.5x2
580	0.000.0000.1	1	not serviceable
580.10	0.010.2619.0	1	screw m 20 p.1.5
580.20	0.010.2619.1	1	'o' ring 17x2
600	0.000.0000.1	1	not serviceable
600.10	04416852	1	screw
600.20	02968175	1	'o' ring 15x2
780	0.000.0000.1	1	not serviceable
780.10	04416944	1	tongue
780.20	04416021	1	'o' ring 27x2.5



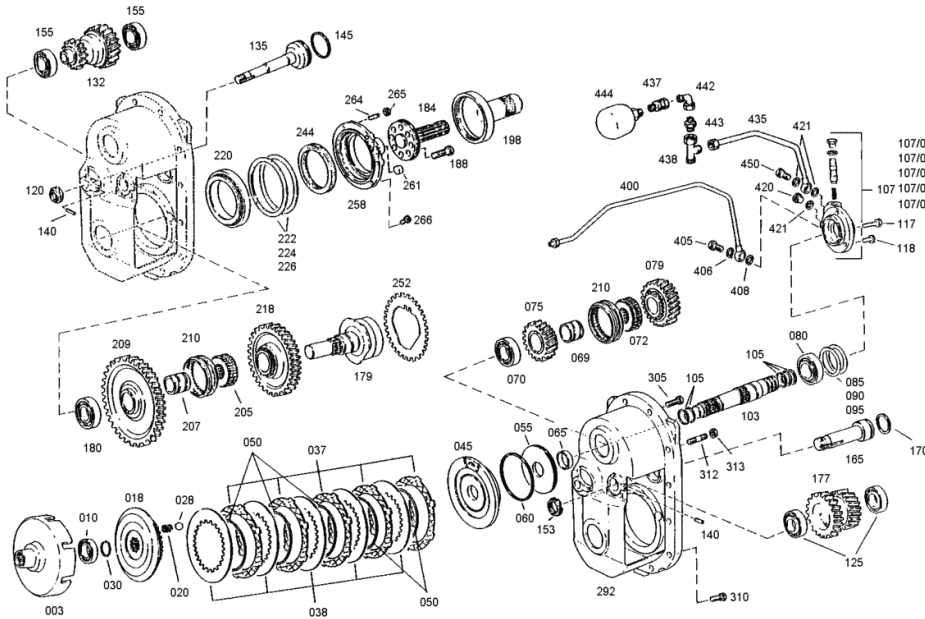
Section: GEAR
PUMP DRIVE

Fig.	Code	QTY	Name
710.10	04417747	1	'o' ring 15.54x2.62
720	0.010.2875.0	1	screw m 8 x 18
900	0.000.0000.1	1	not serviceable
900.10	04419207	1	screw m 16 p.1.5
900.20	04419216	1	'o' ring 13x2



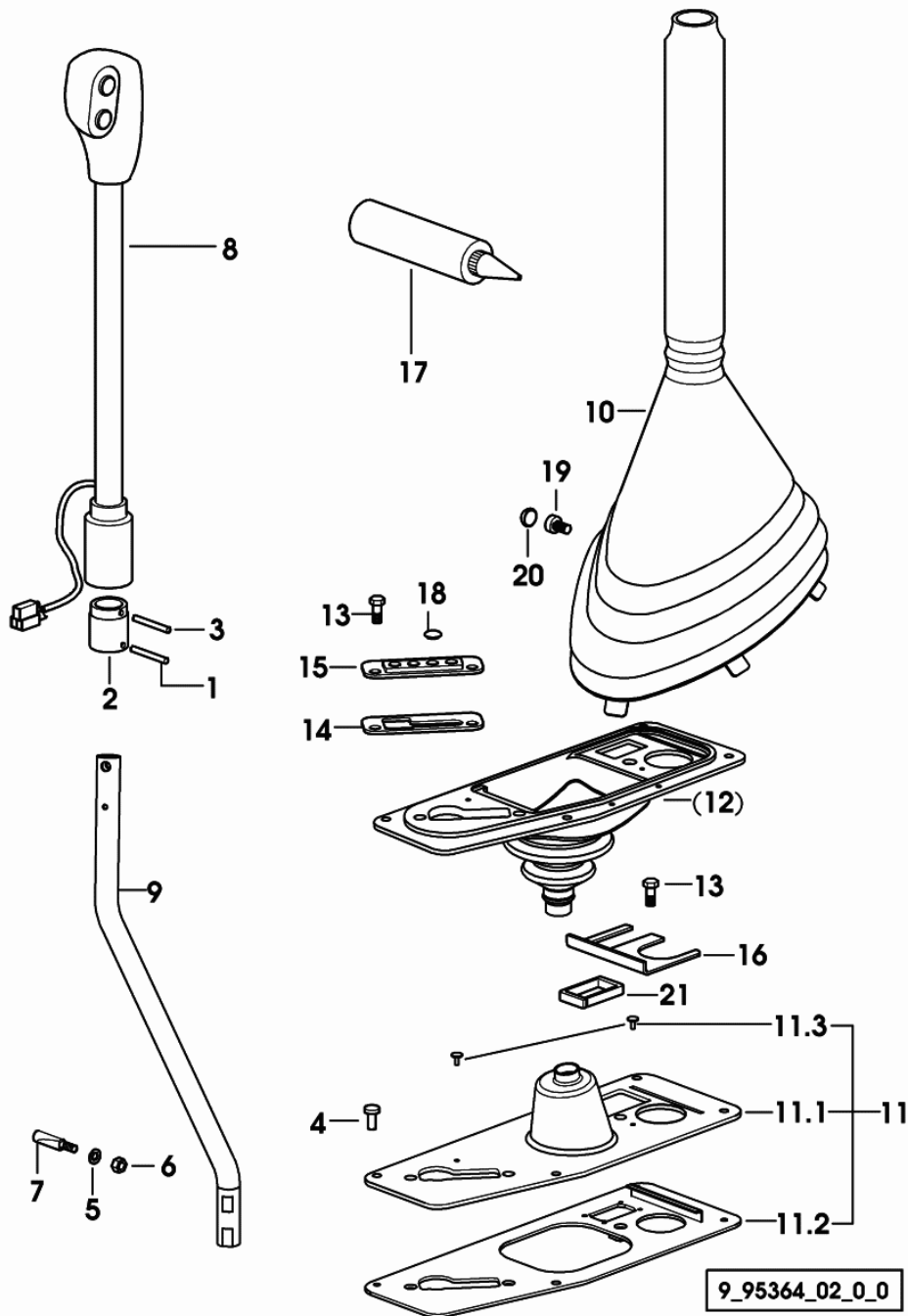
Section: GEAR
4 SPEED P.T.O.

Fig.	Code	QTY	Name
207	04417681	1	bushing
209	04438439	1	gear z = 66
210	04431727	2	sleeve
218	04431728	1	gear wheel Z = 56
220	04417390	1	bearing
222	04417391	1	shim
224	04417392	1	shim
226	04417393	1	shim
244	04417395	1	'o' ring 94x118x12
252	04439236	1	gear
258	04417438	1	cover
261	04417439	1	bottom 20.7x8
264	04419757	4	screw m 8 x 35
265	04423725	4	nut
266	0.010.2893.1	2	screw m 8 x 25
292	04423799	1	box
305	0.010.2893.2	1	screw m 10 x 40
310	04417596	9	screw m 10 x 35
312	0.010.2894.0	2	screw m 10 p.1.5 x 45
313	04417357	2	nut
400	0.010.2894.2	1	pipng
405	04427560	1	pipe union
406	04436331	1	'o' ring 16 x 20
408	0.010.2895.0	1	gasket 14x20
420	04428578	2	screw m 14 p.1.5
421	04423731	3	'o' ring 14 x 18
435	04439238	1	tube
437	0.010.2895.1	2	tongue
438	04423761	1	tongue
442	0.010.2895.2	1	threaded joint
443	0.010.2896.0	1	pipe fitting
444	04439224	1	air accumulator
450	04419794	1	screw



Section: GEAR
GEAR SHIFTING

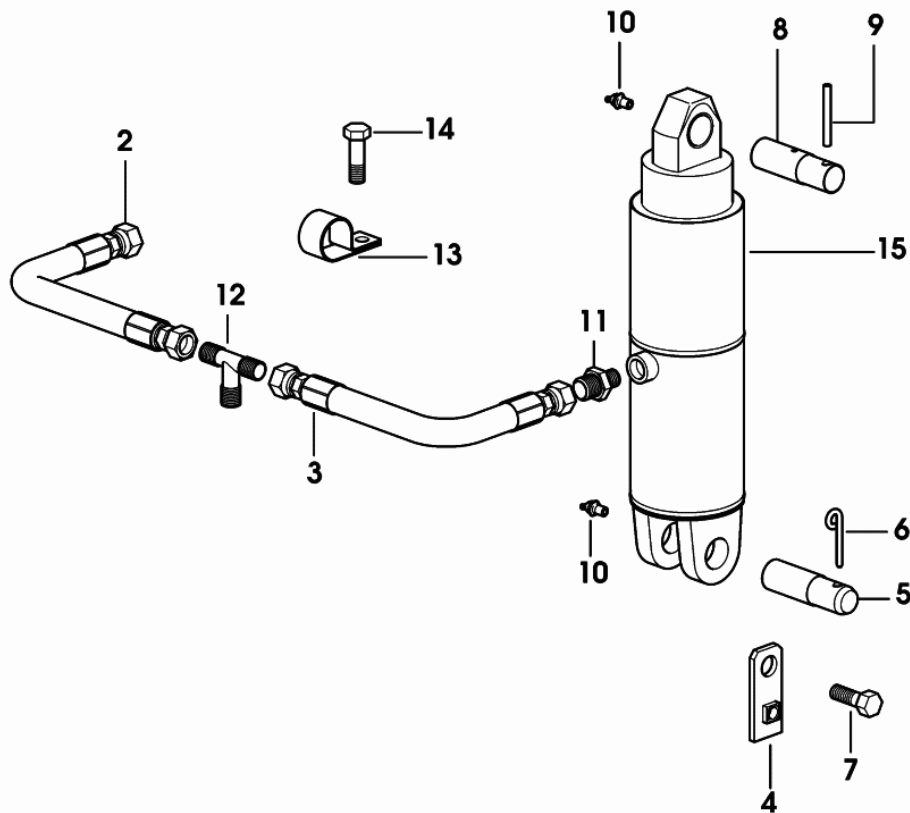
Fig.	Code	QTY	Name
1	04422840	1	pin
2	04418641	1	bushing
3	04422841	1	pin
4	01176029	4	rivet a5x21 h2416
5	01119810	2	washer 6.4
6	01127079	2	nut m 6
7	04313649	2	screw
8	04422746.4/10	1	lever
COMPONENT PARTS SEE COMPONENTS LIST			
☞ 04422746.4/10			
☞ 02.00.1			
9	04429745	1	tube
10	04429959.4	1	rubber sleeve
11	04429990.4	1	gasket
11.1	04429412	1	gasket
11.2	04429417	1	bracket
11.3	04436486	2	pin
13	01112333	3	screw m 8 x 25, d933
14	04429437	1	plate
15	04429293	1	gasket
16	04429726	1	bracket
17	01009644	0	guard
18	01167308	2	plug 7.2x5.2x9
19	04416919	1	screw m 4.8x32
20	04419538	1	guard
21	04450836	1	gasket



Section: S.A.C.

LIFTING CYLINDER Ø MM 100

Fig.	Code	QTY	Name
2	04437645	1	tube dx/rh/re
3	04437646	1	tube sx/lh/li
4	04424522.4	1	support
5	04411319	2	pin Ø 35x106
6	04413585	2	stop
7	01112407	2	screw m 10 x 20, d933
8	04437636	2	pin
9	01115495	2	pin
10	01120700	4	lubricator cm 8 x 1
11	01179203	2	pipe fitting m 22 p.1.5x15
12	01127372	1	pipe fitting l 15 d3908
13	01211882	1	collar
14	01103316	1	screw m 6 p.1.0 x 16
15	04411184.4/10	2	jack mm 100

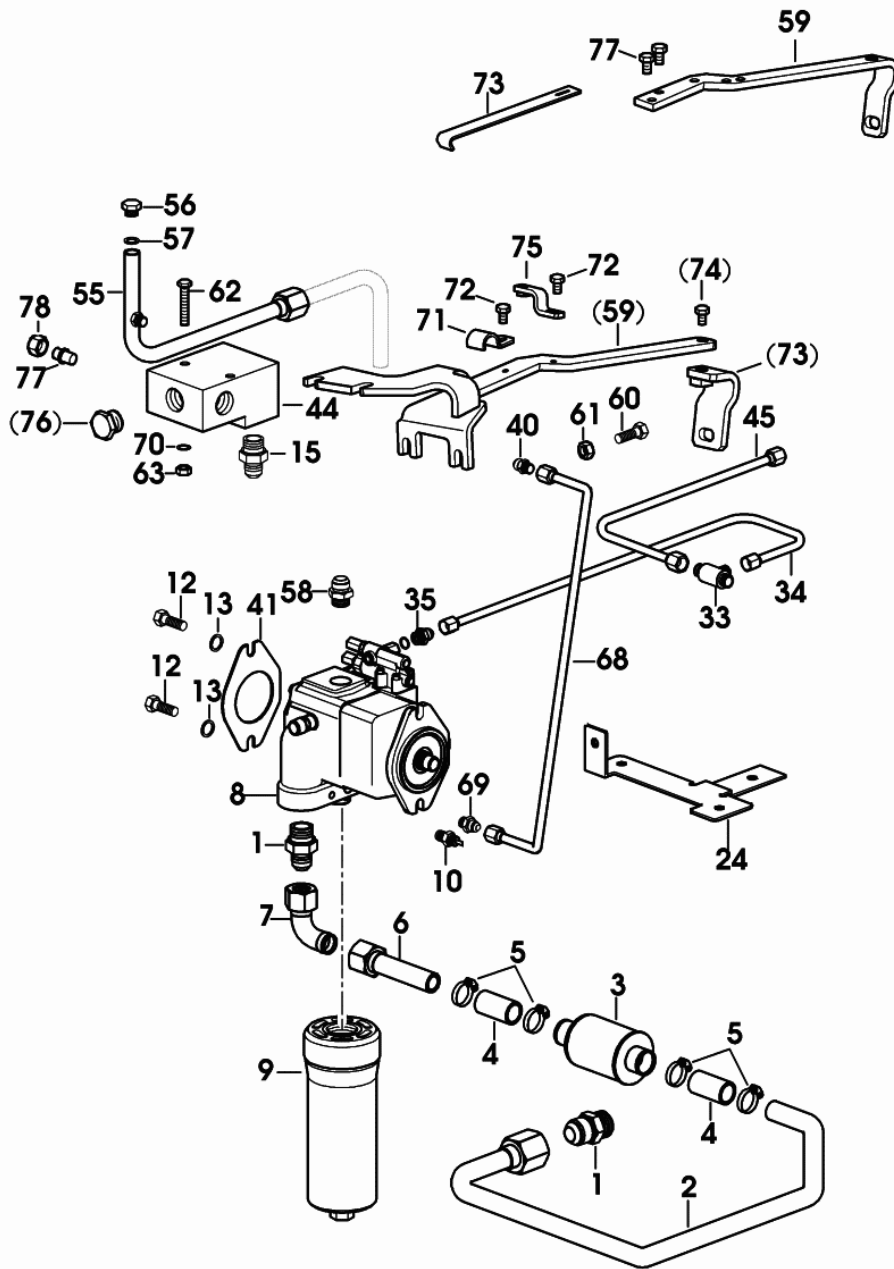


COMPONENT PARTS SEE
COMPONENTS LIST
☞ 04411184.4/10
☞ 0D.00.56

9_95359_21_0_0

OIL SUPPLY - HYDRAULIC PUMP LOAD SENSING

Fig.	Code	QTY	Name
70	06214192	2	washer 8.4
71	04452819	1	hose clip
72	01124824	2	nut m6x16 d933-10
73	04452349	1	support
74	01112412	1	screw m 10 x 22, d933 1458 <- X Agrotron 108 1442 <- X Agrotron 118 1308 <- X Agrotron 128
75	04452342	1	support
77	01180564	1	plug
78	01127346	1	nut

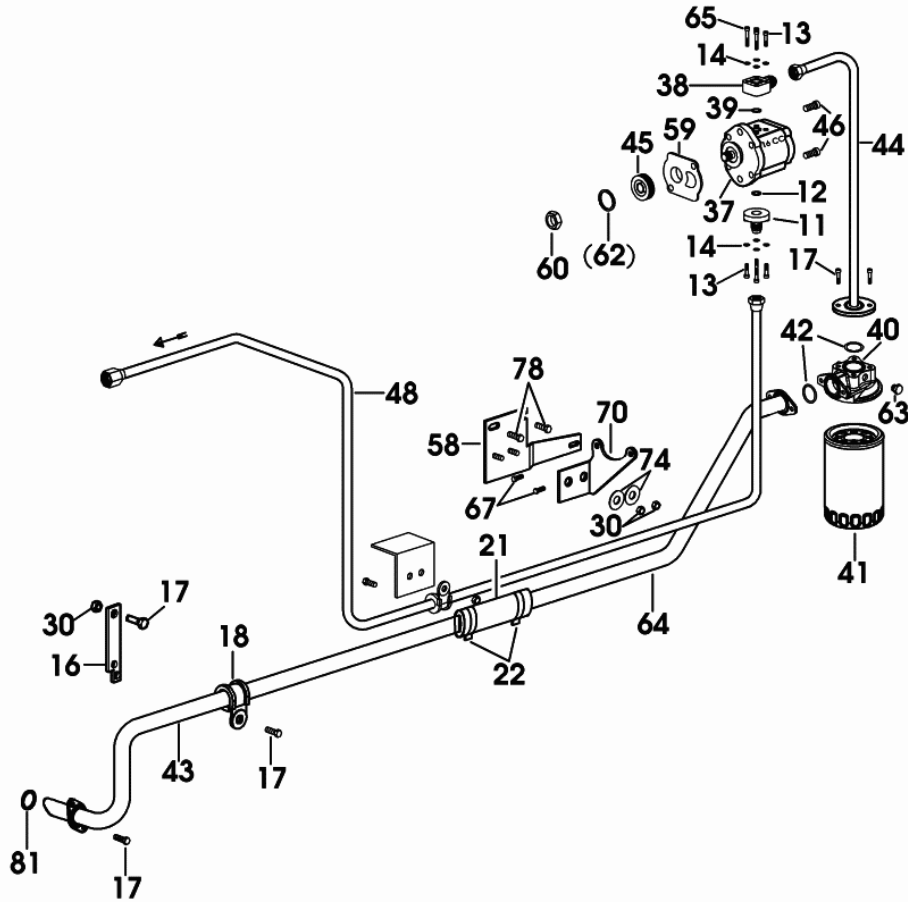


K9_D3359_11_0_0

HYDR. BRAKING WITH LOAD SENSING PUMP - FOR TYPES WITHOUT PNEUMATIC BRAKE

Fig.	Code	QTY	Name
------	------	-----	------

81	04450572	1	'o' ring 28x2
----	----------	---	---------------



9_95363_04_0_A

Section: WHEELS

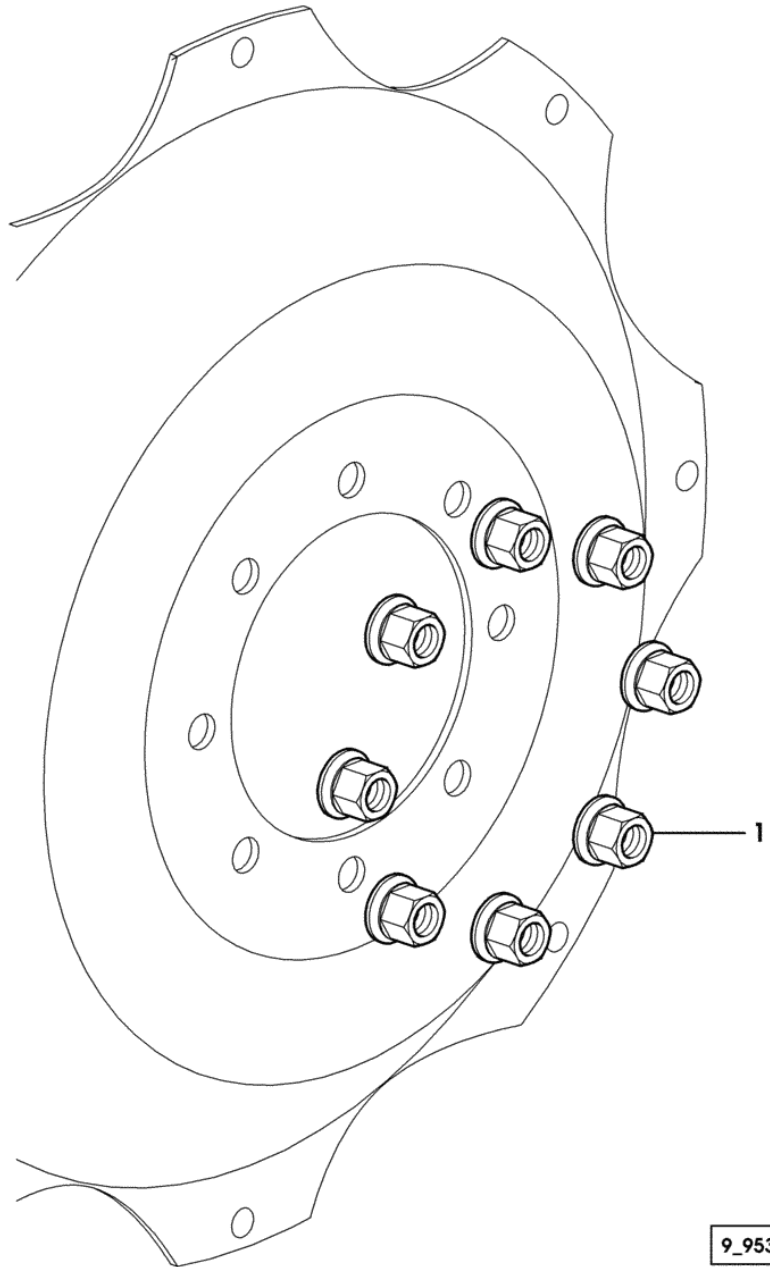
FIXING WHEELS m 20 p.1.5

Fig.	Code	QTY	Name
------	------	-----	------

Notes:

(...) <- X Agrotron 108 (...) <- X Agrotron 118 (...) <- X Agrotron 128

1	01104070	32	nut m 20 p.1.5
---	----------	----	----------------



9_95343_30_0_0

Section: WHEELS

WHEELS 480/70R24" 138A8

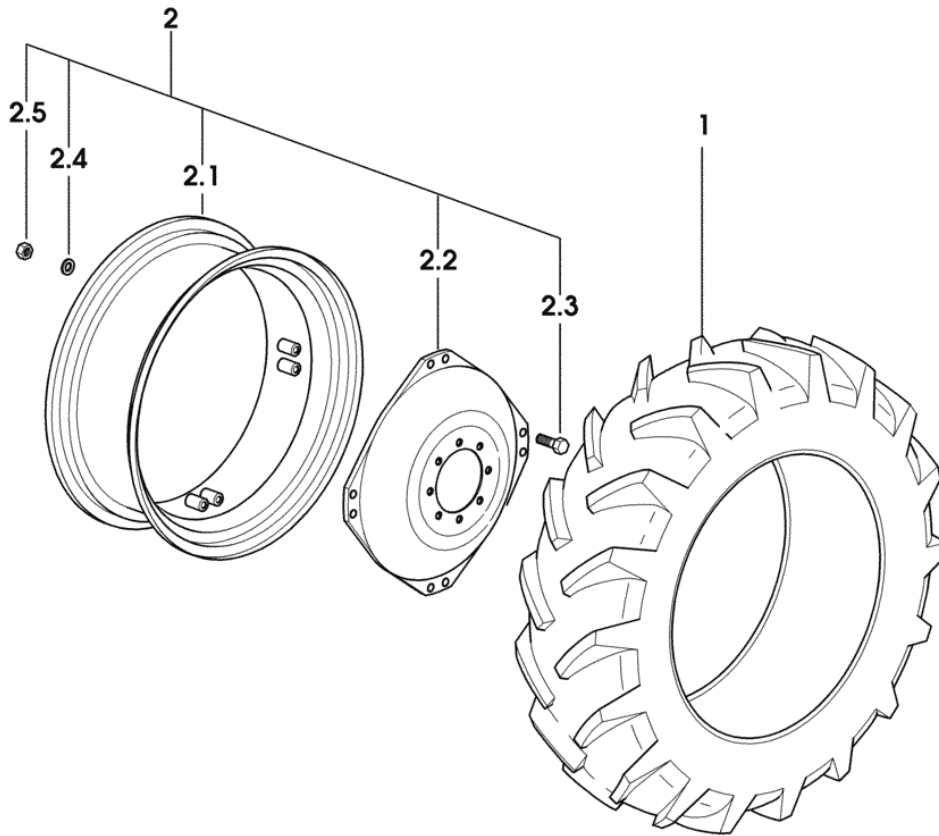


Fig.	Code	QTY	Name
1	2.4811.090.0	2	tyre 480/70R24"
2	0.000.0000.1	0	not serviceable
2.1	04425891	1	rim W 15Lx24"
2.2	04425884	1	rim center flange
2.3	04425885	8	screw m 16 p.1.5
2.4	04425886	8	washer
2.5	04425887	8	nut m 16 p.1.5

9_95355_32_0_0

CLICK HERE TO **DOWNLOAD** THE COMPLETE MANUAL

- Thank you very much for reading the preview of the manual.
- You can download the complete manual from: www.heydownloads.com by clicking the link below



- Please note: If there is no response to CLICKING the link, please download this PDF first and then click on it.

CLICK HERE TO **DOWNLOAD** THE COMPLETE MANUAL