

Agrotron 115 -> 8063 2000

BRAKE

GENERAL

HAND BRAKE.....	13.00.1
BRAKE OPERATION - POWERSHUTTLE.....	13.00.1
HAND BRAKE.....	13.00.2
HAND BRAKE.....	13.00.3

Control assy./service brake, Parking brake

PARKING BRAKE UNIT.....	13.29.1
PARKING BRAKE UNIT.....	13.29.2
PARKING BRAKE UNIT.....	13.29.3
PARKING BRAKE UNIT.....	13.29.4

Service brake, Contral assy./service brake

SERVICE BRAKE - SYNCROSPLIT - POWERSHIFT.....	13.30.1
BRAKE OPERATION.....	13.30.1
SERVICE BRAKE.....	13.30.2
SERVOBRAKE.....	13.30.2
BRAKE OPERATION - BRAKE - KNOTT.....	13.30.3
SERVOBRAKE.....	13.30.3
BRAKE OPERATION - BRAKE - SIRMAC.....	13.30.4
SERVOBRAKE.....	13.30.4
MASTER CYLINDER.....	13.30.5
SERVOBRAKE.....	13.30.5
BRAKE OPERATION - BRAKE - KNOTT.....	13.30.6
BRAKE OPERATION - BRAKE - SIRMAC.....	13.30.7
BRAKE OPERATION - SYNCROSPLIT.....	13.30.8
BRAKE OPERATION - POWERSHIFT.....	13.30.9

Pneumatic system

AIR-PRESSURE GAUGE.....	13.55.1
COMPRESSED-AIR UNIT.....	13.55.2
AIR COMPRESSOR.....	13.55.3
AIR COMPRESSOR.....	13.55.4
PRESSURE REGULATOR.....	13.55.5
TRAILER SOCKET-OUTLET VALVE.....	13.55.6
TRAILER SOCKET-OUTLET VALVE.....	13.55.7
AIR RESERVOIR LEFT.....	13.55.8
LINKAGE.....	13.55.9
AIR BRAKE HOSE COUPLING.....	13.55.10
PARTS SET.....	13.55.11

Hydr. brake for trailer

HYDR. BRAKE.....	13.56.1
TRAILER BRAKE VALVE.....	13.56.2
HYDR. BRAKE - ITALY.....	13.56.3

CLICK HERE TO **DOWNLOAD** THE COMPLETE MANUAL

- Thank you very much for reading the preview of the manual.
- You can download the complete manual from: www.heydownloads.com by clicking the link below



- Please note: If there is no response to CLICKING the link, please download this PDF first and then click on it.

CLICK HERE TO **DOWNLOAD** THE COMPLETE MANUAL

Section: BRAKE

SERVICE BRAKE - SYNCROSPLIT - POWERSHIFT

DEUTZ FAHR BETRIEBSBREMSE
SERVICE BRAKE
FREIN DE ROUTE
FRENO DE SERVICIO

T 7200 (SYNCHROSPLIT)
(POWERSHIFT)

2003-30 0504 7248

6.00-6.45 6.01

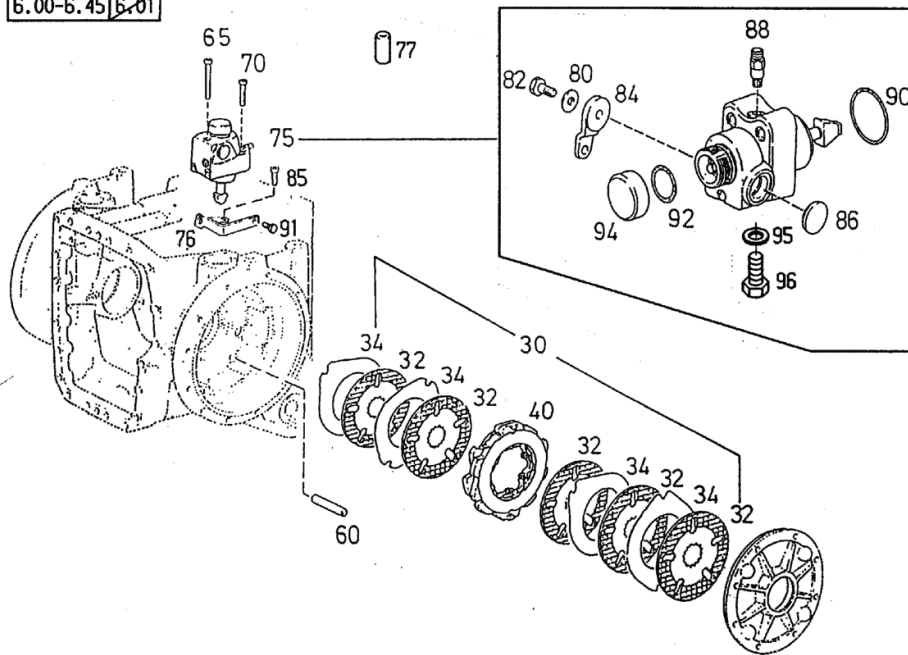


Fig.	Code	QTY	Name
30	04417526	2	control grp.
32	04417527	10	brake disc
34	04417528	8	brake disc
40	04423836	2	disc
60	04417538	8	pin
65	04417539	2	screw
70	04417544	4	screw
75	04417530	2	cylinder
76	04423734	2	support
77	04423735	2	ring
80	04417531	2	spring
82	01112384	2	screw DIN 000933-M10 X 12 - 8.8
84	04417532	2	lever
85	04423736	2	screw
86	04417533	2	cover
88	04417534	2	breather
90	04417535	2	ring
91	04423737	2	screw
92	04417536	2	ring
94	04418986	2	plug
95	04427641	1	'o' ring
96	04427642	1	screw

Section: BRAKE

BRAKE OPERATION - BRAKE - KNOTT

Fig.	Code	QTY	Name
1	04411802	1	bushing
10	02386782	1	pin
11	04411833	4	bushing
12	04412858	2	pin
13	04411830	1	spring
14	01171763	1	screw m 8 p.1.25 x 20 H 002094-AM 8X20
15	04411801	1	shaft
16	04411832	4	bushing
17	04398326	1	spring
18	04424100.4	1	pedal
19	04411827.4	1	pedal

DEUTZ FAHR
 BREMSBETAETIGUNG
 BRAKE CONTROL
 ACTIONNEMENT FREIN
 ACCIONAMIENT. FRENO

KNOTT

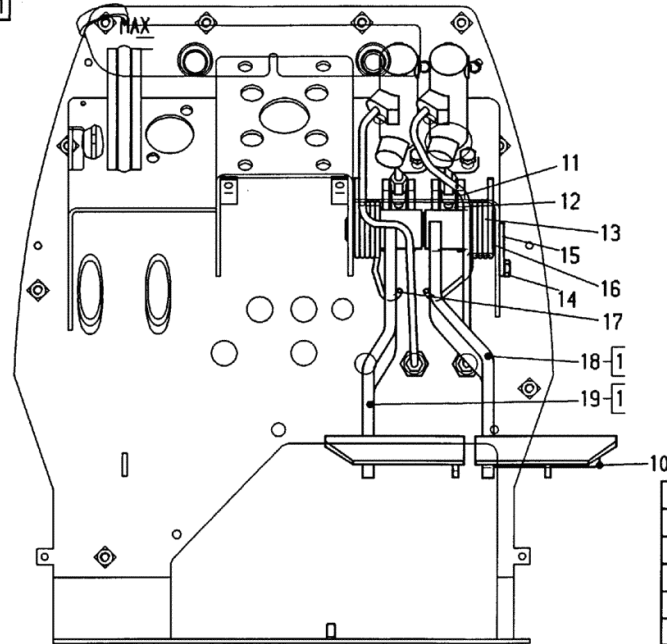
BREMSE
 BRAKE
 FREIN
 FRENO

8/96

2005-30 0504 7292

3

4.70-6.45,6.01
 160,175,200

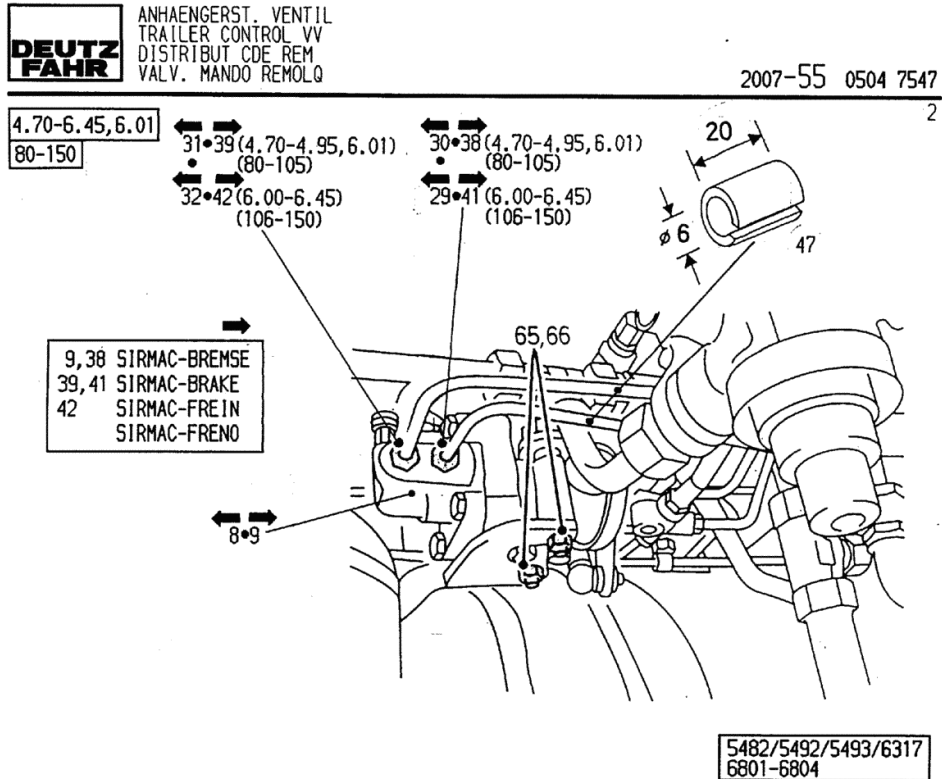


5249-5262
 6323/6360
 6361/6474
 7335/7336
 7342
 7351-7363

Section: BRAKE

TRAILER SOCKET-OUTLET VALVE

Fig.	Code	QTY	Name
8	04414589	1	valve
9	04419935	1	valve ☞ 04419935
29	04414749	1	pipng
30	04414723	1	tube
31	04414724	1	tube
32	04414750	1	pipng
38	04419936	1	pipng
39	04419937	1	pipng
41	04419938	1	pipng
42	04419939	1	pipng
47	01216315	3	rubber plug
65	01112362	2	screw m 8 x 55, d933 ISO 004017-M 8 X 55 - 8.8-GES BLACK
66	01112824	5	nut m 8, d934 ISO 004032-M 8 - 8-A4C



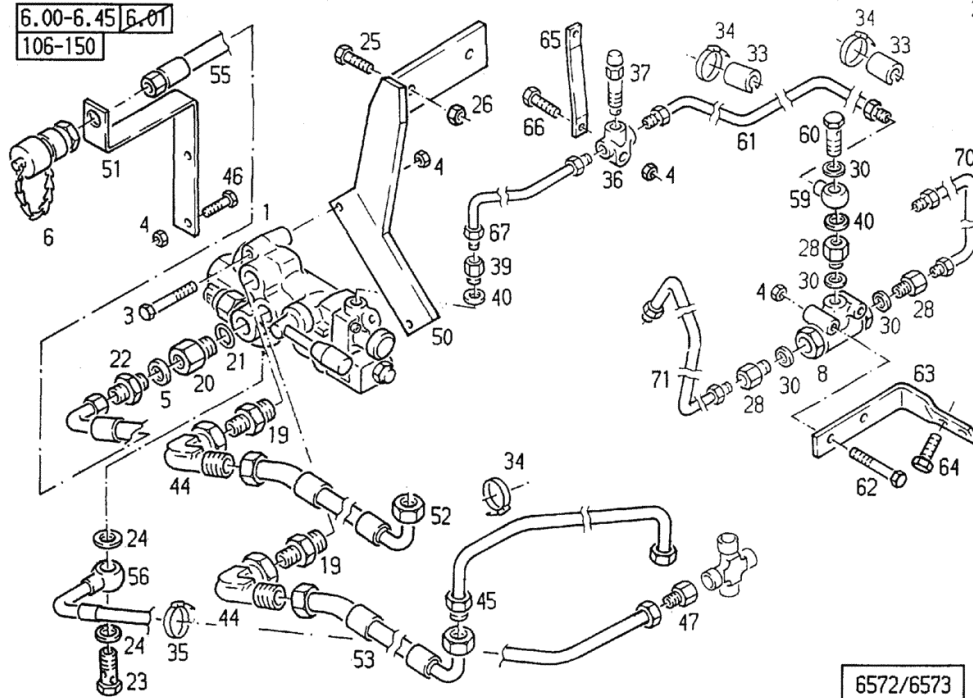
Section: BRAKE
HYDR. BRAKE - ITALY

DEUTZ FAHR
 HYDR. BREMSE
 HYDRAULIC BRAKE
 FREIN HYDRAULIQUE
 FRENO HIDRAULICO

ITALIEN

2004-56 0504 7726

6.00-6.45 | 6.01
 106-150



6572/6573

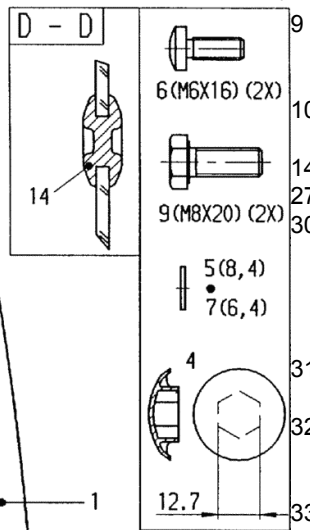
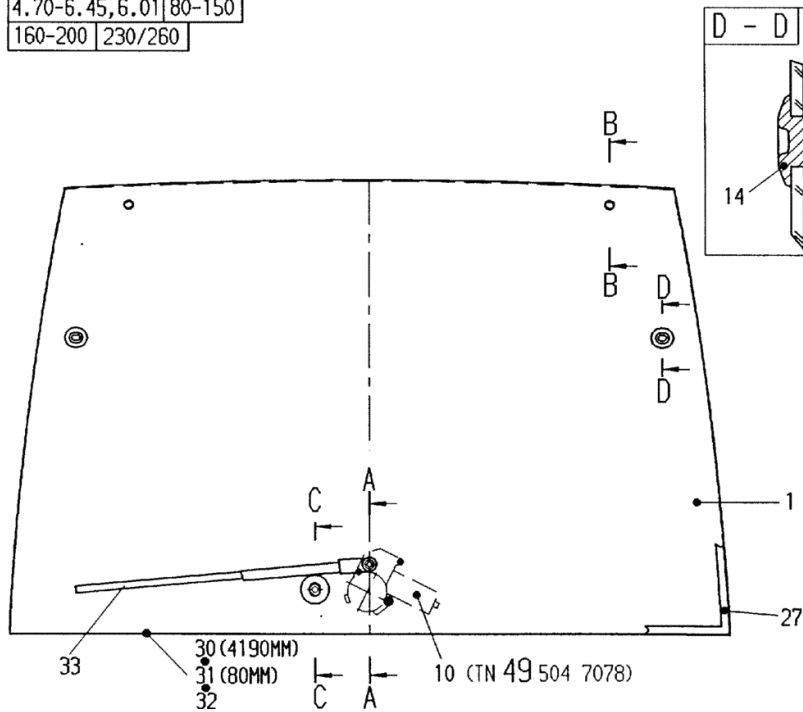
Fig.	Code	QTY	Name
50	04422304.4	1	consolle
51	04415419	1	support
52	04422308	1	tube
53	04422309	1	tube
55	04422311	1	tube
56	04422312	1	pipng
59	03410829	1	pipe fitting
60	03497999	1	pipe union m 12 p.1/ m 14 p.1.5
61	04422315	1	pipng
62	01112360	2	screw m 8x50 d931 ISO 004017-M 8 X 50 - 8.8-GES BLACK
63	04422316	1	support
64	01112307	2	screw m 8 p.1.25 x 15, d933 ISO 004017-M 8 X 16 - 8.8-A4C
65	04422303	1	support
66	01112350	2	screw m 8 x 35 ISO 004017-M 8 X 35 - 8.8-A4C
67	04422317	1	pipng
70	04419946	1	pipng
71	04419947	1	pipng

WINDSCREEN



2005-37 0504 7077 7

4.70-6.45,6.01|80-150
160-200|230/260



5331

Fig.	Code	QTY	Name
1	04418946	1	tempered glass
4	04413793	2	cap
5	01151019	2	washer 8.4
6	04413811	2	DIN 000125- 8,4-200HV screw m 6 p.1.0 x 16
			DIN 007985-M 6X 16-Z1-4.8-H-A 4C-TORX T30
	01107095	2	washer 6.4
			DIN 000125-A 6,4-140HV-A4C
	01144692	2	screw m 8 p.1.25 x 20
			DIN 000933-M 8 X 20 Z1-ST- 8.8-A4C
	05047078	0	windscreen wiper
			18.49.98
	04413787	2	plug
	04412045	1	electrical system
	04418376	1	gasket
			FROM FIRST REPLACEMENT UNTIL CHASSIS-AXLE-GEARBOX-SUPPLY WITH NO.ITEM.. 31,32
	01388794	1	parting 9x4,5
			H 846482-02-PN 1
	01016121	1	sealing compound
			H 000699-DEUTZ KL 5A- 50/100 G
	04413194	1	wiper blade

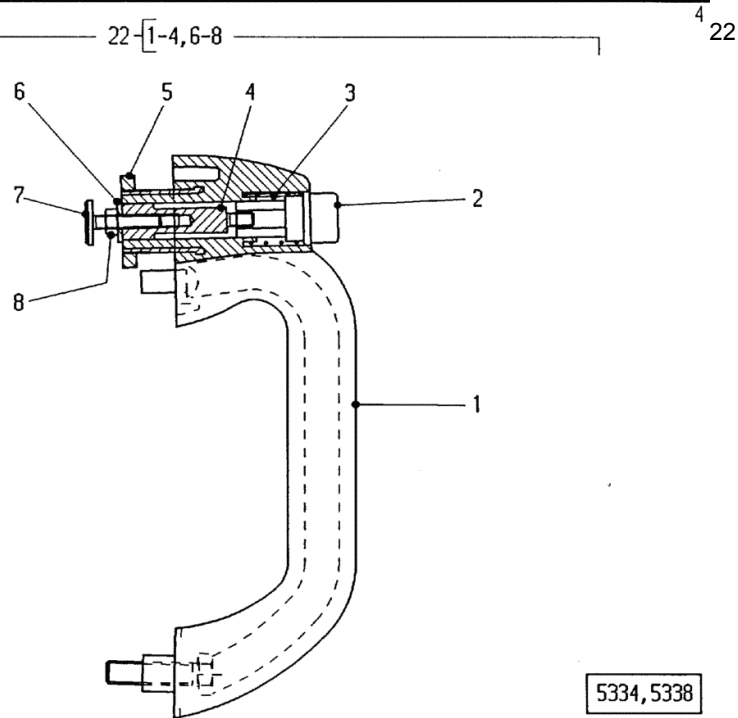
DOOR HANDLE - CAB DOOR RIGHT/LEFT

Fig.	Code	QTY	Name
1	04413591	1	handle
2	04413578	1	push-button
3	04414619	1	spring
4	04414618	1	stop
5	04416537	1	nut m 28 x 1
6	04413596	1	washer
7	04413597	1	latch m 8
8	01112813	1	nut m 6 DIN 000934-M 6 - 8-A4C
22	04413546	1	handle



TUERGRIFF FAHRERHAUSTUER RECHTS / LINKS
 DOOR HANDLE CAB DOOR RIGHTHAND / LEFTHAND
 POIGNEE DE PORTE PORTIERE DE CABINE DROITE / GAUCHE
 TIRADOR DE PUERTA PUERTA DE CABINA DERECHA / IZQUIERDA 2005-37 0504 7090

4.70-6.45,6.01|80-150
 160-200 |230,260



KNOCKOUT WINDOW REAR WITH REAR PANEL FLAP

DEUTZ FAHR	AUSSTELLFENSTER	HINTEN	MIT	RUECKWANDKLAPPE
	VENT WINDOW	REAR	WITH	TAIL GATE
	VITRE RELEVABLE	ARRIERE	AVEC	HAYON AR
	VENTANA GRADUABLE	ATRAS	CON	CUBIERTA TRASERA

2005-37 0504 7647

4.70-6.45,6.01
160-200
80-150
230/260

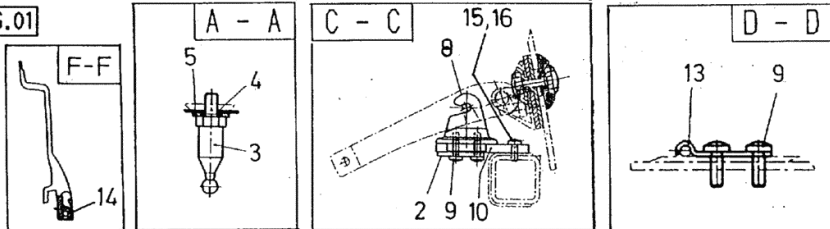
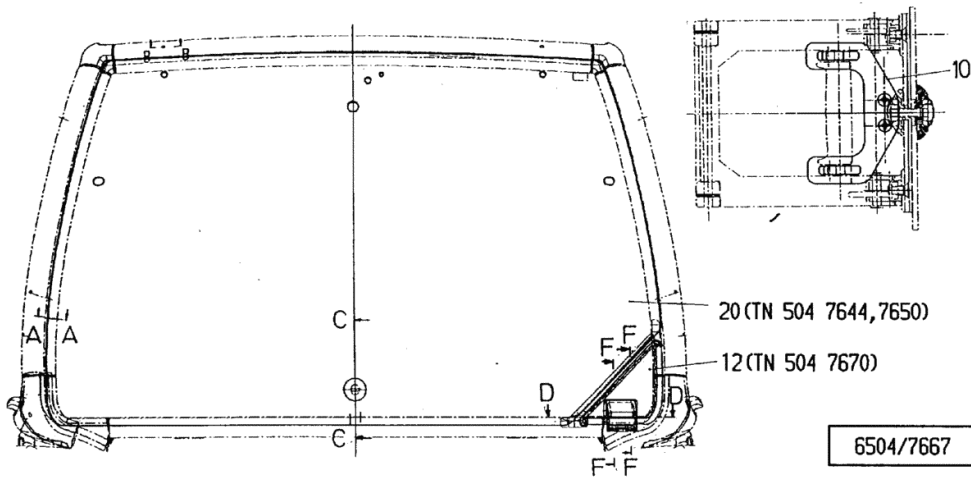


Fig.	Code	QTY	Name
2	04419475	2	small plate
3	04418838	2	ball joint
4	04345439	2	spacer
5	01107110	2	washer 13.5
8	04419477	2	DIN 000125-A13 -140HV-A4C
9	04413811	8	clevis
			screw m 6 p.1.0 x 16
			DIN 007985-M 6X 16-Z1-4.8-H-A
			4C-TORX T30
10	04423718	1	stop
12	05047670	0	cover
			☞ 16.37.24
13	04419380.4	1	hinge
14	04423114	2	stop
20	05047644	0	rear window
			☞ 16.37.28



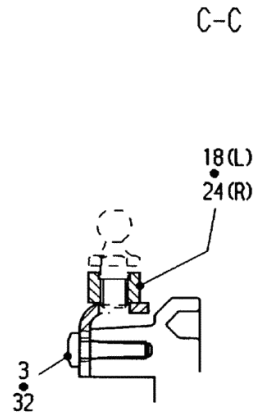
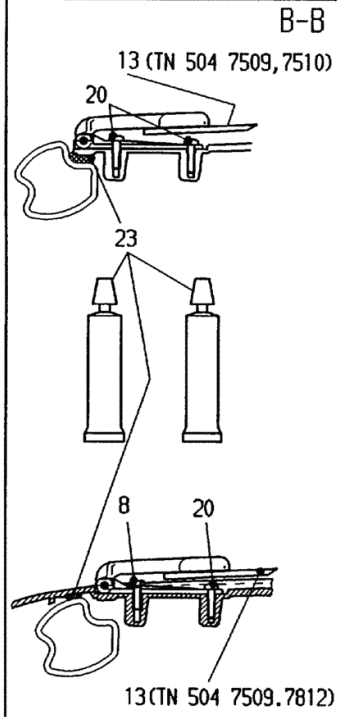
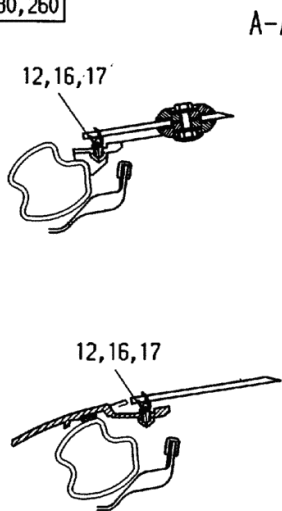
ROOF WITH SKYLIGHT - GLASS - COVERING

Fig.	Code	QTY	Name
3	04414188	18	screw
8	01139741	2	screw DIN 000933-M 6 X 20 Z1-ST- 8. 8-A4C
12	04418363	1	gasket
13	05047509	0	roof ☞ 16.37.36
	04412343.4	1	consolle
	04418662	4	screw m 6 x 25
	04425415	1	sealing compound 566.4



DACH ROOF TOIT TEJADO	MIT WITH AVEC CON	DACHLUKE WITH ROOF HEATCH LUCARNE DE TOIT TRAGALUZ	GLAS GLASS VERRE/GLACE CRISTAL	VERKLEIDUNG SHEETTING/PANELLING HABILLAGE REVESTIMIENTO
--------------------------------	----------------------------	--	---	--

4.70-6.45,6.01
160,175,200 80-150
230,260



442 4991
442 4992
5336/37
7185

ROOF WITHOUT SKYLIGHT

Fig.	Code	QTY	Name
4	04419538	14	guard
7	04412609	1	interior light
8	04412616	1	light
9	04414185	2	screw m3,5x16 DIN 007981-ST3,5X16 -C- TORX T10
10	04423716	1	rear view mirror dx/rh/re
11	04423717	1	mirror sx/lh/li
12	04412617	1	support
13	04414188	16	screw
14	01175900	2	plug H 007502- A-30X 7,5-22,5 -PEE -SW



DACH
ROOF
TEJADO/TECHO
TOIT

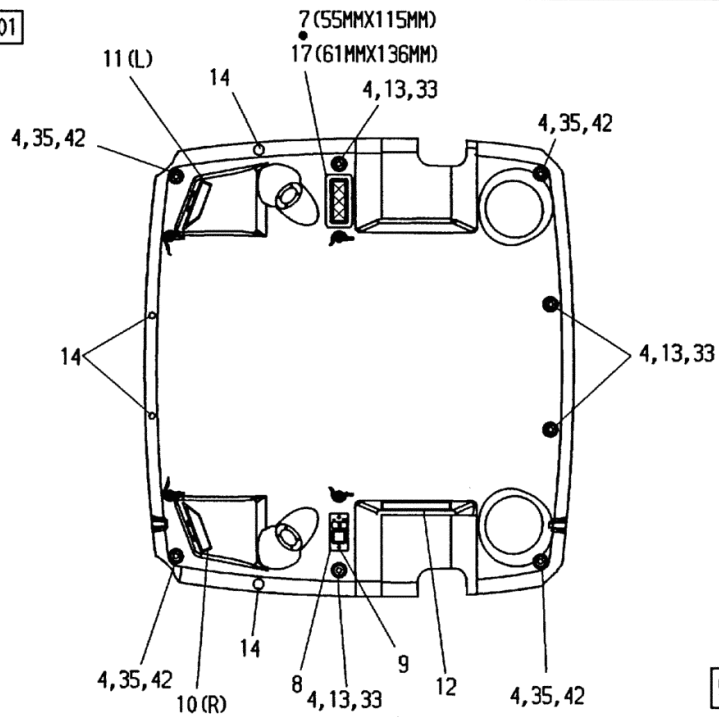
OHNE
WITHOUT
SANS
SIN

DACHLUKE
ROOF HATCH
LUCARNE DE TOIT
TRAGALUZ

2005-37 0504 7513

4.70-6.45,6.01

80-150

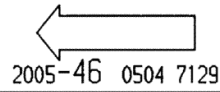


5335/7187

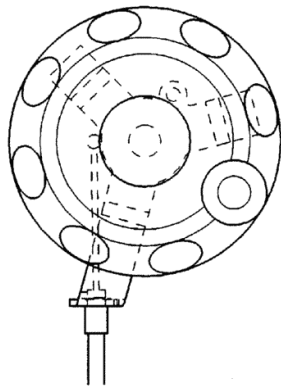
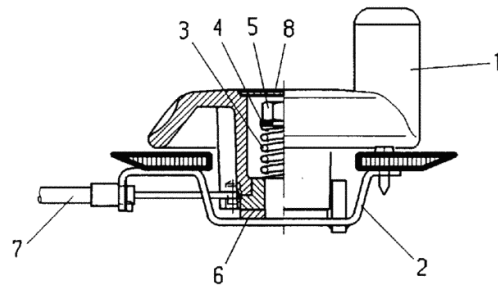
SPEED ADJUSTMENT

Fig.	Code	QTY	Name
1	04415470	1	hand wheel
2	04415474	1	support
3	04414163	1	spring DIN 002098- 3,2 X 20 X 33,5 G YELLOW CHROME
4	04419510	1	stop
5	01102659	1	nut m 10, d934 DIN 000934-M10 - 8-A4C
6	04378843	1	disc
7	04414572	1	cable
8	04415857	1	cover
493	03606493	1	operation RETROFIT ASSEMBLY

**DEUTZ
FAHR**
DREHZAHLENVERSTELLUNG
SPEED ADJUSTMENT
REGLAGE DE VITESSE
VARIAC. REVOLUCION



4.70-6.45,6.01



493

5517/5520/6493

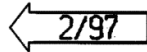
FIXING PARTS - WING REAR

Fig.	Code	QTY	Name
3	01144692	20	screw m 8 p.1.25 x 20 DIN 000933-M 8 X 20 Z1-ST- 8. 8-A4C
6	04413364	2	gasket
22	04415539	2	bushing
23	01112356	2	screw m 8 x 40 ISO 004017-M 8 X 40 - 8.8-A4C
24	04416339	1	plate
25	04416340	1	plate



BEFESTIGUNGSTEILE
FASTENINGS
PIECES DE FIXAT
PIEZAS DE SUJECTION

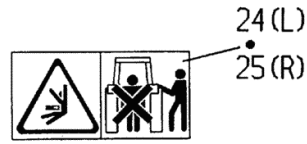
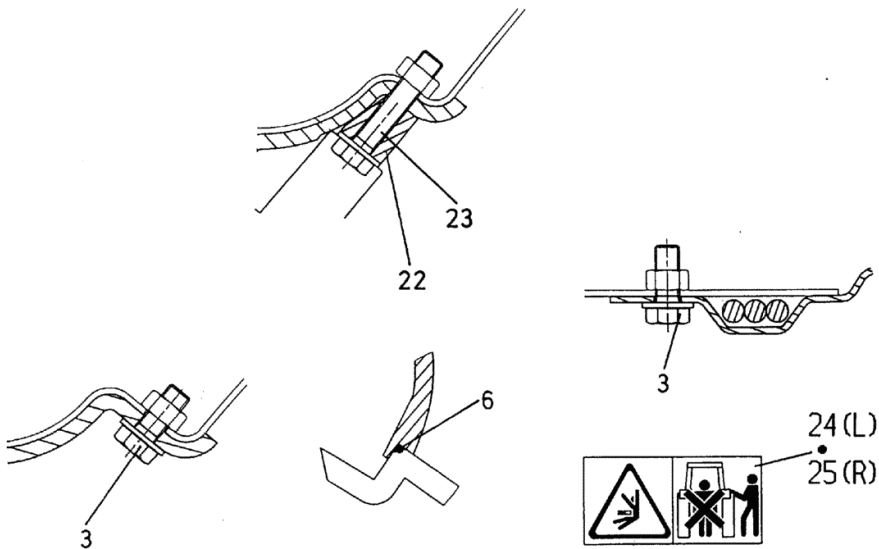
KOTFLUEGEL-HINTEN
REAR MUDGUARD
GARDE-BOUR AR
GUARDABARROS TRAS.



2005-51 0504 7533

4.70-6.45,6.01

2



5346-5353

WING BEARER - RIGID

Fig.	Code	QTY	Name
6	04416250	1	lining sx/lh/li
7	04416249	1	lining dx/rh/re
8	01151556	8	screw ISO 004017-M16 X 35 - 8.8-GES BLACK ON FIRST REPLACEMENT SUPPLY WITH ITEM.... 9
	01139580	8	washer 17 DIN 007349-17 -ST50-A4C



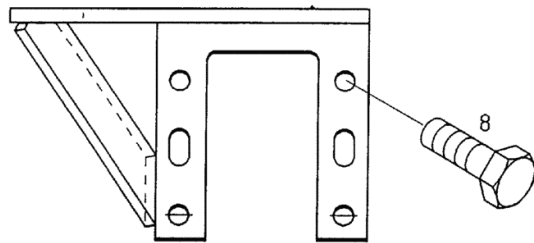
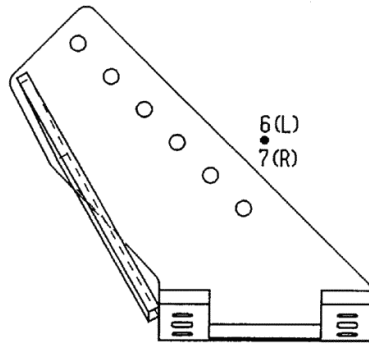
KOTFLUEGELTRAEGER
MUDGUARD CARRIER
PORTE-GARDE-BOUE
PORTA-GUARDA-BARRAS

-STARR-

2006-52 0504 7133

1

4.70-6.45,6.01



- 5753
- 5756
- 5757
- 5760
- 5761
- 5764
- 5766
- 5770
- 5866

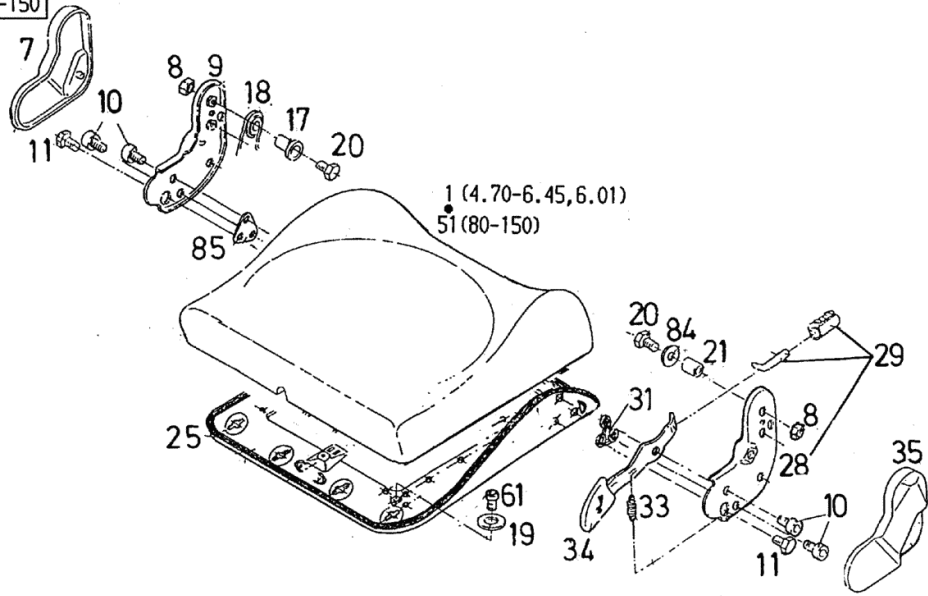
DRIVER'S SEAT - EUROFIT

DEUTZ FAHR
 FAHRERSITZ
 DRIVER'S SEAT
 SIEGE DE CONDUCT
 ASIENTO CONDUCTOR

-EUROFIT-

2005-54 0504 7343

4.70-6.45,6.01
 80-150



7241

Fig.	Code	QTY	Name
1	04418264	1	backrest
7	04350912	1	cover
8	01136452	2	nut vm 8 d980 DIN 000980-VM 8 - 8-A4C GEWAC HST
9	04350934	1	brake support
10	01110577	4	screw m 8 x 25 DIN 000912- M 8 X 25 - 8.8-A4 C
11	04354970	2	screw
17	04418267	1	bushing
18	04350925	1	spring
19	01107101	9	washer 8.4 DIN 000125-A 8,4-140HV-A4C
20	01112350	2	screw m 8 x 35 ISO 004017-M 8 X 35 - 8.8-A4C
21	04424480	1	bushing
25	04418268	1	plate
28	04401968	1	brake support
29	04350935.4	1	brake support
31	04401969	1	plate
33	04350942	1	spring
34	04401970	1	lever
35	04350913	1	cover
51	04424477	1	padding
61	01102193	4	screw m 8 x 16 DIN 000912- M 8 X 16 - 8.8-A4 C
84	01136363	1	washer 8.4 DIN 009021- 8,4-140HV-A4C
85	04402562	1	plate

DRIVER'S SEAT - AEROFIT

DEUTZ FAHR FAHRERSITZ
DRIVER'S SEAT
SIEGE DE CONDUCT
ASIENTO CONDUCTOR

-AEROFIT-

2005-54 0504 7328

4.70-6.45,6.01

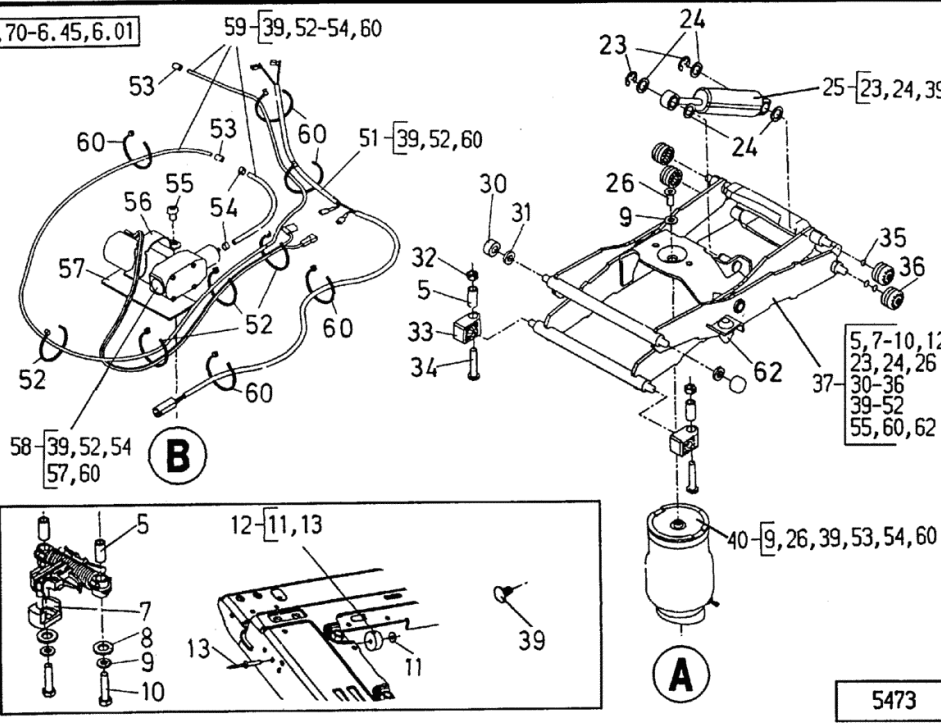


Fig.	Code	QTY	Name
5	04362458	4	tube
7	04402572	1	shoch.absorber
8	01107110	2	washer 13.5 DIN 000125-A13 -140HV-A4C
9	01107101	6	washer 8.4 DIN 000125-A 8,4-140HV-A4C
10	01112350	2	screw m 8 x 35 ISO 004017-M 8 X 35 - 8.8-A4C
11	01151429	3	washer DIN 009021- 4,3-140HV-A4C
12	04401972	1	shoch.absorber
13	04344971	1	rivet
23	01103148	2	washer DIN 006799-10
24	04418240	4	washer
25	04418241	1	shoch.absorber M 5650
26	04402569	2	screw
30	04364331	2	bearing
31	04402575	2	pin
32	01137057	2	nut ISO 004032-M 8 - 8
33	04402576	2	support
34	04402575	1	pin
35	04418243	3	plate
36	04402517	4	sleeve
37	04418244	1	arm
39	04311704	22	plug
40	04401402.4	1	seat springs
51	04418247	1	cable
52	04418248	4	metal strap
53	04402570	2	bushing
54	04353923	2	clamp
55	01105548	1	screw ISO 001207- M 8 X 12- 4.8- A4 C
56	04399498	1	bracket
57	04399496	1	felt band
58	04401404.4	1	gear compressor M 5650
59	04418250	1	flexible hose
60	04418251	6	metal strap
62	02310080	2	shoch.absorber

DRIVER'S SEAT - AEROMAT

Fig.	Code	QTY	Name
54	04350966	1	spring
55	04350964	1	lever
60	04401962	1	small carpet
67	04424480	1	bushing
68	04424482	1	consolle
70	04350959	1	lever
71	01151429	1	washer
			DIN 009021- 4,3-140HV-A4C

DEUTZ FAHR
 FAHRERSITZ
 DRIVER'S SEAT
 SIEGE DE CONDUCT
 ASIENTO CONDUCTOR

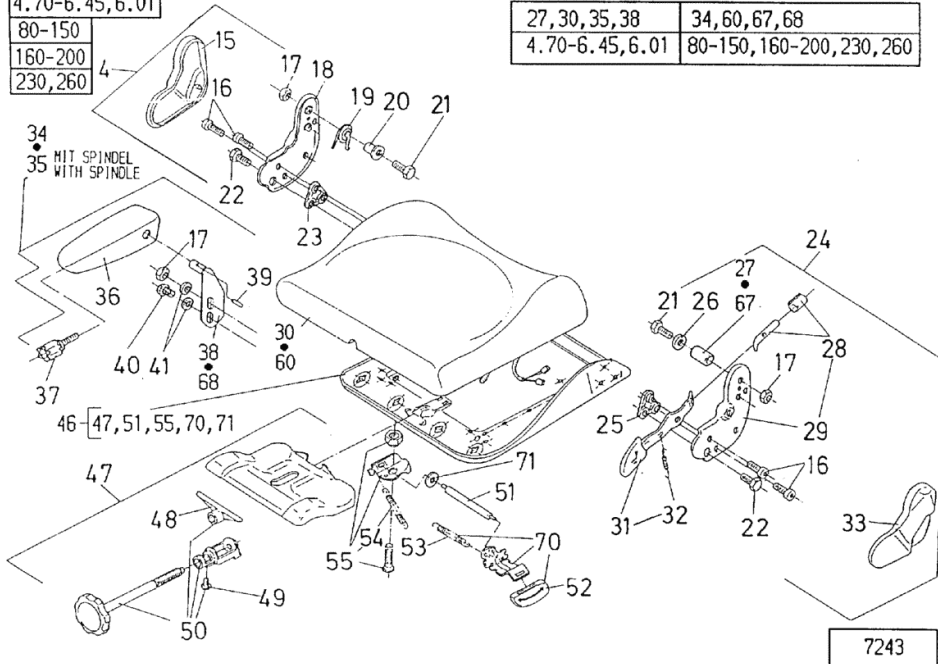
-AEROMAT-

2005-54 0504 7316

4.70-6.45,6.01

80-150
 160-200
 230,260

27, 30, 35, 38	34, 60, 67, 68
4.70-6.45,6.01	80-150, 160-200, 230, 260



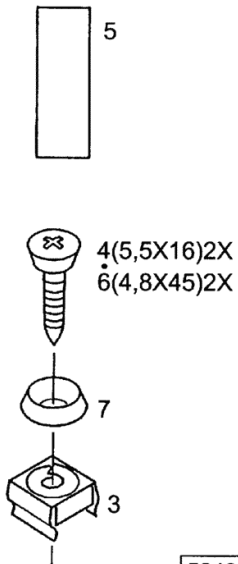
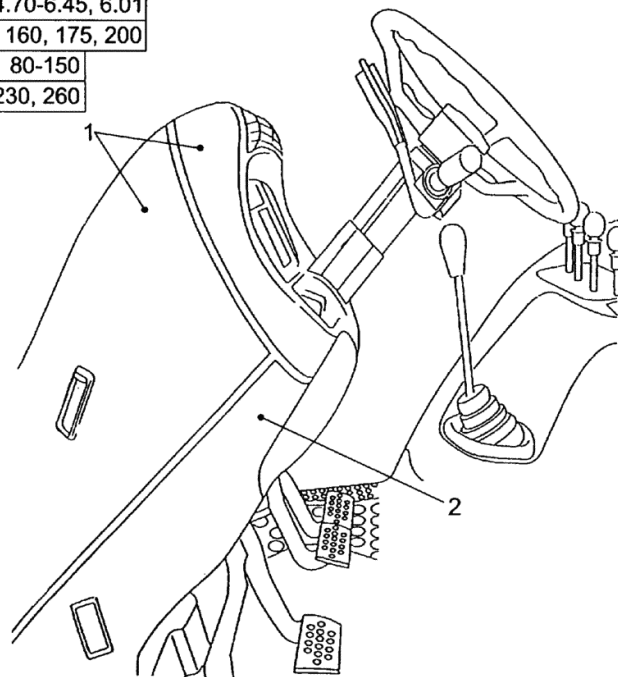
INSULATION CAB

Fig.	Code	QTY	Name
1	04413839.4	1	panel
2	04413406	1	panel
3	04412355	1	nut
4	01100514	2	screw DIN 007983-ST 5,5X16 -C-H -A4 C
5	04414690	2	band
	04417416	2	screw DIN 007983-ST 4,8X45 -F-A3R T 20
7	04309456	2	washer

DEUTZ FAHR ARMATURENVERKLEIDUNG
 PANELLING
 REVET TABL DE BORD
 CUBRE INSTRUMENTOS

4.70-6.45, 6.01
 160, 175, 200
 80-150
 230, 260

2005-55 0504 75006



5249-5262
 6474/7335
 7336/7342
 7351-7363

PRODUCT PLATE

Fig.	Code	QTY	Name
101	04418000	2	advertising material
102	04418001	1	plate DEUTZ-FAHR
103	04426210	1	advertising material DEUTZ-FAHR

**DEUTZ
FAHR**
 PRODUKTSCHILD
 PRODUCT PLATE
 PLAQUE PRODUIT
 ROTULO D PRODUCTO

2006-71 0504 7557

4.70-6.45, 6.01

80-150

160, 175, 200

2



101

DEUTZ-FAHR

102 (GRUEN)

DEUTZ-FAHR

103 (SCHWARZ) (4.70-6.45, 6.01) (80-150)
 (160, 175, 200)

5805-5837
 6332-6334
 7207-7216
 6484

FLAP - CENTRAL ELECTRICS - COVER - ELECTRONICS



KLAPPE
FLAP
CLAPET
CHAPALETA

ZENTRALELEKTRIK
CENTR. ELECTR. SYST.
SYSTEME ELECT. CENT.
SIST. ELECTR. CENTRL

DECKEL
COVER
COUVERCLE
TAPA

ELEKTRONIK
ELECTRONICS
ELECTRONIQUE
ELECTROTECHN.

2005-75 0504 7493

4.70-6.45,6.01
160,175,200
80-150

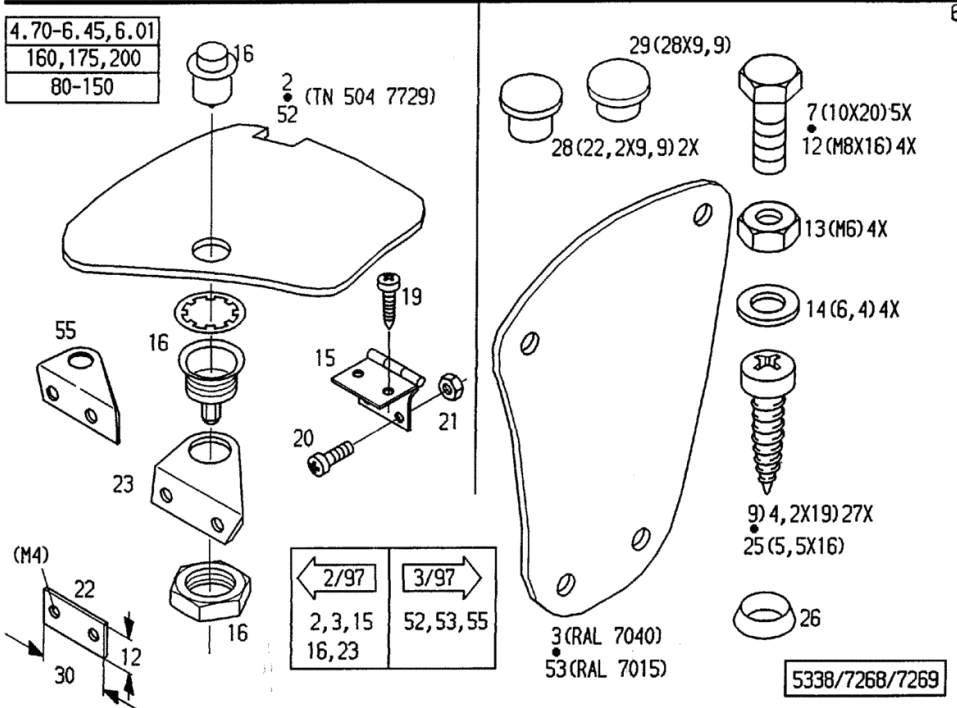
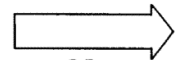


Fig.	Code	QTY	Name
2	05047729	0	cover ☞ 16.75.3
3	04413149	1	cover
4	04416887	1	shim
7	01112407	5	screw m 10 x 20, d933
9	04424184	27	DIN 000933-M10 X 20 - 8.8-A4C
12	01112307	4	screw
13	01112813	4	DIN 007981-ST4,2X19 -F T20
14	01151664	4	screw m 8 p.1.25 x 15, d933
15	04416877	1	ISO 004017-M 8 X 16 - 8.8-A4C
16	04416878	1	nut m 6
19	04416892	2	DIN 000934-M 6 - 8-A4C
20	04416893	4	washer 6.4
21	01112797	2	DIN 000125- 6,4-200HV-A4C
22	04425744	1	hinge
23	04416886	1	push-button
25	01100514	1	screw
26	04309456	1	DIN 007981-ST4,8X 8-F-A3R TOR X T25
28	04422330	2	screw
29	01173521	1	DIN 007985-M 4X 18 - 4.8-A3R TORX T25
52	05047729	0	nut
53	04425440	1	ISO 004032-M 4 - 8-OELGESCH
55	04425757.4	1	shim

SIDE PANNELLING LEFT

Fig.	Code	QTY	Name
1	04419622	1	cover
2	01171763	5	screw m 8 p.1.25 x 20 H 002094-AM 8X20
19	04416901	4	ring
22	04418723	1	profile 1100 MM
23	04424832	1	lining
24	04425646	1	lamination
25	04418723	1	profile 1090 MM
27	04418723	1	profile 320 MM
29	04419689.4	1	cover
32	04422631	1	cover

DEUTZ FAHR SEITENVERKLEIDUNG LINKS
SIDE PANNELLING LEFTHAND
REVEST. LATERAL GAUCHE
IZQUIERDA

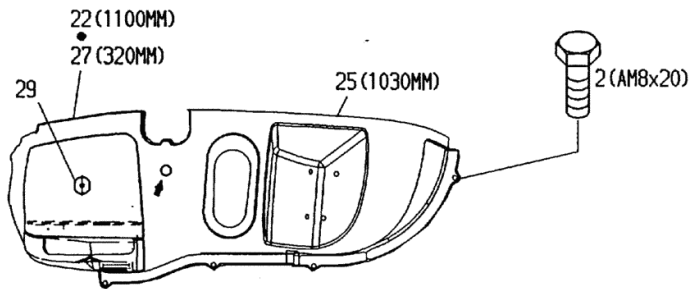
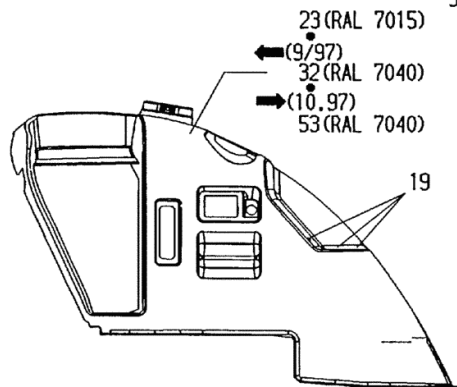
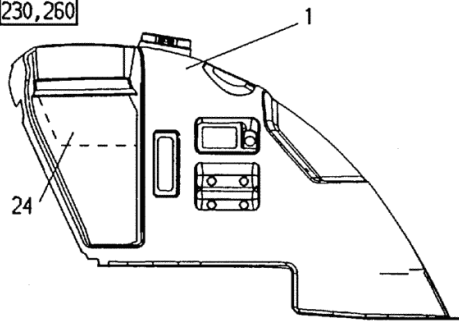


2005-86 0504 7684

4.70-6.45,6.01

80-150

230,260



5338/7238

SOUND-ABSORBING PARTS

Fig.	Code	QTY	Name
5	04417674	1	small carpet
6	04417667	1	small carpet
7	04418121	1	sound deadening mat
9	04416926	1	sound deadening mat dx/rh/re
12	04414661	1	sound deadening mat sx/lh/li
13	04414662	1	sound deadening mat sx/lh/li

DEUTZ FAHR SCHALLDAEMMTEILE
SOUND ABSORB. PARTS
ELEMENTS INSONOR
PZAS. INSONORIZAC.

2005-86 0504 7496

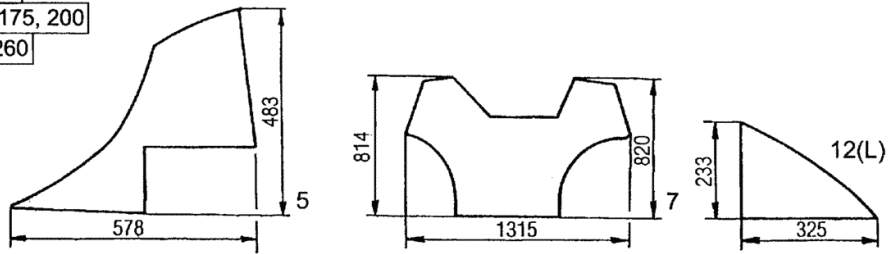
4.70-6.45, 6.01

80-150

160, 175, 200

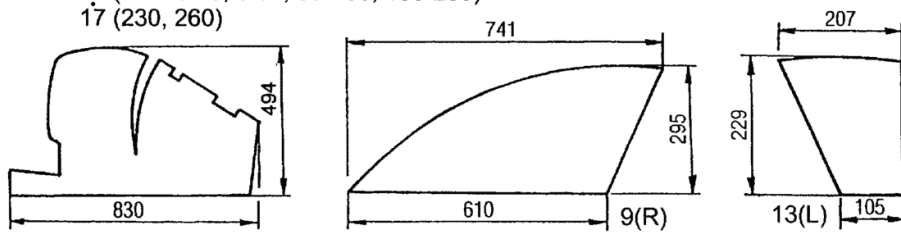
230,260

3



6 (4.70-6.45, 6.01, 80-150, 160-200)

17 (230, 260)



5356, 7249, 7267
442 7340

CABLE HARNESS ROOF - SYNCROSPLIT - POWERSHIFT.....	18.49.41
CABLE HARNESS ROOF - SYNCROSPLIT - POWERSHIFT.....	18.49.42
CABLE HARNESS AGROTRONIC - HD WITHOUT ASM.....	18.49.43
CABLE HARNESS CONTROL CONSOLE - AGROTRONIC - HD - SYNCHROSPLIT.....	18.49.44
CABLE HARNESS CONTROL CONSOLE - AGROTRONIC H-D - SYNCHROSPLIT.....	18.49.45
CABLE HARNESS CONTROL CONSOLE - AGROTRONIC - HD - POWERSHIFT.....	18.49.46
CABLE HARNESS CONTROL CONSOLE - AGROTRONIC H-D - POWERSHIFT.....	18.49.47
CABLE HARNESS CONTROL CONSOLE - AGROTRONIC L - H - SYNCHROSPLIT.....	18.49.48
CABLE HARNESS CONTROL CONSOLE - AGROTRONIC L-H - SYNCHROSPLIT.....	18.49.49
CABLE HARNESS CONTROL CONSOLE - AGROTRONIC L - H - POWERSHIFT.....	18.49.50
CABLE HARNESS CONTROL CONSOLE - AGROTRONIC L-H - POWERSHIFT.....	18.49.51
CABLE HARNESS CONTROL CONSOLE - AGROTRONIC - HD - L - H - SYNCROSPLIT - POWERSHIFT.....	18.49.52
CABLE HARNESS CONTROL CONSOLE - AGROTRONIC - HD - L - H - SYNCROSPLIT - POWERSHIFT.....	18.49.53
CABLE HARNESS CONTROL CONSOLE - AGROTRONIC - HD - SYNCROSPLIT - POWERSHIFT.....	18.49.54
CABLE HARNESS CONTROL CONSOLE - AGROTRONIC - HD - L - H - SYNCROSPLIT - POWERSHIFT.....	18.49.55
CABLE HARNESS CONTROL CONSOLE - AGROTRONIC - HD - L - H - SYNCROSPLIT - POWERSHIFT.....	18.49.56
CABLE HARNESS CONTROL CONSOLE - AGROTRONIC - HD - L - H - SYNCROSPLIT - POWERSHIFT.....	18.49.57
CABLE HARNESS CONTROL CONSOLE - AGROTRONIC - HD - L - H - SYNCROSPLIT - POWERSHIFT.....	18.49.58
CABLE HARNESS AIR CONDITIONING SYSTEM.....	18.49.59
CABLE HARNESS - AIR CONDITIONING SYSTEM.....	18.49.60
CABLE HARNESS HEATING - AIR CONDITIONING UNIT.....	18.49.61
CABLE HARNESS - HEATING - AIR CONDITIONING.....	18.49.62
CABLE HARNESS - HEATING - AIR CONDITIONING.....	18.49.63
FIXING PLATE FOR AIR CONDITIONING UNIT.....	18.49.64
CABLE HARNESS - BODY GROUP.....	18.49.65
CABLE HARNESS - SPRUNG - FRONT AXLE - BODY GROUP.....	18.49.66
CABLE HARNESS - BODY GROUP.....	18.49.67
ELECTR. EQUIPMENT - SPRUNG FRONT AXLE - BODY GROUP.....	18.49.68
CABLE HARNESS SPRUNG FRONT AXLE - CAB.....	18.49.69
CABLE HARNESS SPRUNG FRONT AXLE.....	18.49.70
CABLE HARNESS - CAB.....	18.49.71
CABLE HARNESS SPRUNG FRONT AXLE - CAB.....	18.49.72
CONTROL UNIT - SPRUNG - FRONT AXLE.....	18.49.73
CABLE HARNESS HYDR. BRAKE - ITALY.....	18.49.74
CABLE HARNESS WIPER FRONT.....	18.49.75
CABLE SET, FLASHING INDICATOR, FRONT LIGHT.....	18.49.76
CABLE HARNESS TAIL LIGHT.....	18.49.77
CABLE HARNESS TAIL LIGHT.....	18.49.78
CABLE HARNESS TAIL LIGHT.....	18.49.79
CABLE HARNESS LICENCE PLATE LIGHT.....	18.49.80
CABLE HARNESS ALL-ROUND LIGHT.....	18.49.81
INSTRUMENTATION - INFOCENTER 1.....	18.49.82
INSTRUMENTATION - INFOCENTER 2.....	18.49.83
INSTRUMENTATION - INFOCENTER 3.....	18.49.84

Section: ELECTRIC AL SYSTEM
SOCKET-OUTLET 7 - POLE

Fig.	Code	QTY	Name
1	04364447	1	socket
2	04364448	1	tube
5	01173521	1	bottom H 002873-G28 X 9,9-PA 66-SCHW ARZ
6	04422330	1	bottom H 002873-G22,2 X 9,9-PA 66-SC BLACK
11	04422324	1	socket
12	01172065	10	clamp 4.6 x 146 H 007672-G 146X 4,6
15	04376982	1	body
466	04422324	1	socket RETROFIT ASSEMBLY

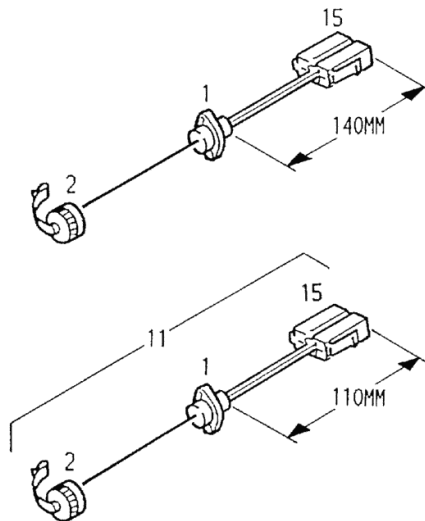
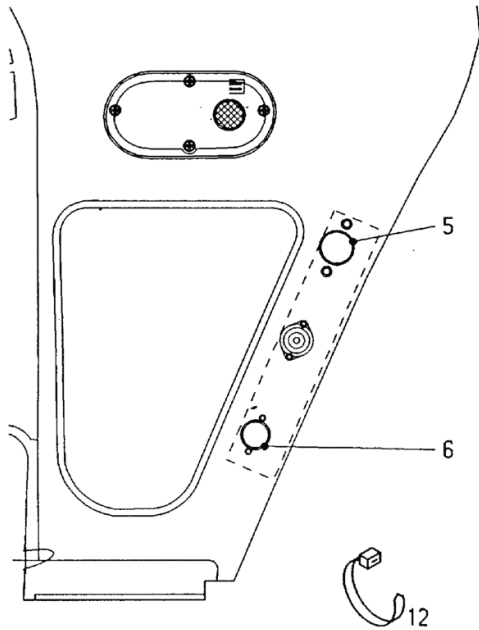
DEUTZ FAHR
 STECKDOSE
 SOCKET-OUTLET
 PRISE DE COURANT
 CAJA DEL ENCHUFE

7-POLIG

2005-49 0504 7691

4.70-6.45,6.01|80-150
 160-200|230/260

466 [1,2,15]



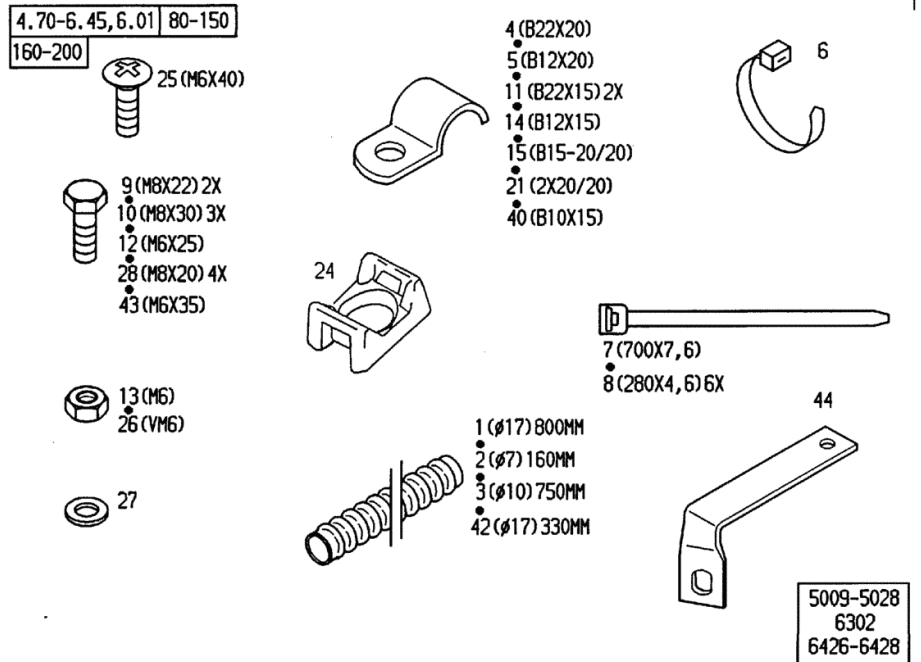
5466

ELECTR. EQUIPMENT - CABLE HARNESS FRONT - MOTOR

Fig.	Code	QTY	Name
1	04418433	2	tube
2	04418822	1	tube
3	04418823	1	tube
4	01173182	1	clamp
5	01172689	1	clamp H 003223-B22X20-W1/CR70-10
6	04418430	4	metal strap H 003223-B12X20-W1/CR70-10
7	01176280	1	hose clip
8	01173143	6	clamp 4,6x280 H 007672-G 700X 7,6
9	01112325	2	screw H 007672-G 280X 4,6
10	01112341	3	screw m 8 x 30, d933 ISO 004017-M 8 X 22 - 8.8-GES BLACK
11	01173219	2	clamp ISO 004017-M 8 X 30 - 8.8-A4C
12	01123749	1	screw m 6 x 25 H 003223-B22X15-W1/CR70-10
13	01112813	1	nut m 6 ISO 004017-M 6 X 25 - 8.8-A4C
14	01213265	1	clamp DIN 000934-M 6 - 8-A4C
15	01180049	1	hose clip H 003223-B12X15-W1/CR70-10
21	04320348	3	hose clip H 003221-B 15- 20/20
24	04418431	1	console
25	01143984	1	screw DIN 000966- M 6 X 40- 8.8-H-A 4C
26	01133500	1	nut vm 6 d980 DIN 000980-VM 6 - 8-A4C GEWAC HST
27	01119817	2	washer DIN 009021- 6,4-140HV-A4C
28	01112322	4	screw m 8 p.1.25 x 20 ISO 004017-M 8 X 20 - 8.8-A4C
40	01212670	1	hose clip B10X15 H 003223-B10X15-W1/CR70-10
42	04418434	1	tube
43	01112275	1	screw m 6x35 d933 ISO 004017-M 6 X 35 - 8.8-GES

DEUTZ FAHR ELEKTR. AUSRÜSTUNG KABELSATZ VORN MOTOR
ELECTR. EQUIPMENT SET OF WIRING FRONT ENGINE
EQUIPEMENT ELECTR. JEU DE CABLES AVANT MOTEUR
EQUIPO ELECTRICO JUEGO DE CABLES DELANTE MOTOR

441 8137/8429
2001-49 0504 7695



CABLE HARNESS GEARS - POWERSHIFT

DEUTZ FAHR KABELSATZ GETRIEBE POWERSHIFT 441 1130
 SET OF AIRING GEAR TRANSMISSION T 7100 441 1132
 JEU DE CABLES BOITE DE VITESSES T 7200
 JUEGO DE CABLES TRANSMISION T 7200 2005-49 0504 7603 4

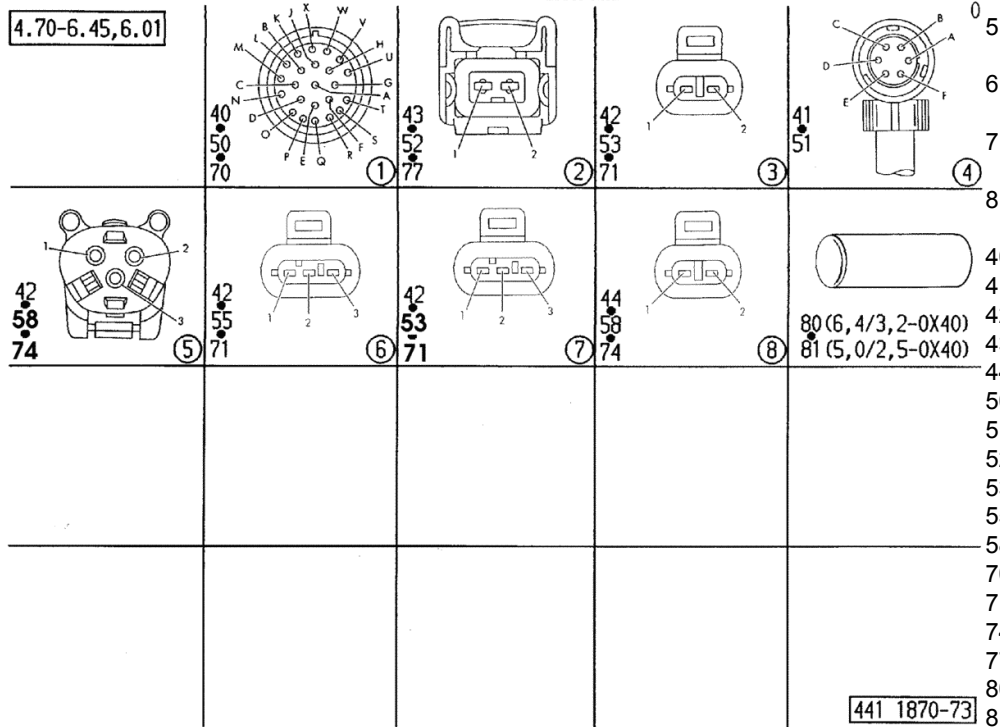
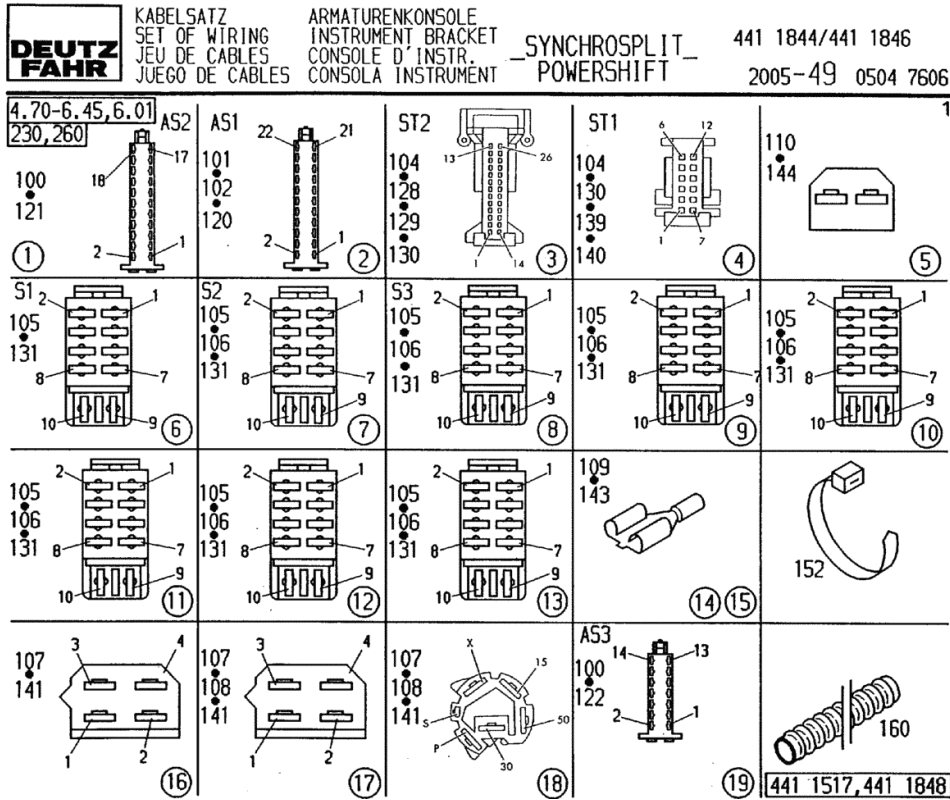


Fig.	Code	QTY	Name
1	05047604	0	cable harness ☞ 18.49.22
2	05047604	0	cable harness ☞ 18.49.22
3	05047604	0	cable harness ☞ 18.49.22
4	05047604	0	cable harness ☞ 18.49.22
5	05047604	0	cable harness ☞ 18.49.22
6	05047604	0	cable harness ☞ 18.49.22
7	05047604	0	cable harness ☞ 18.49.22
8	05047604	0	cable harness ☞ 18.49.22
40	04419801	23	pin
41	04422942	1	pin
42	04419815	4	box
43	04190852	1	pin
44	04419811	1	pin
50	04422943	1	pin
51	04422941	1	body
52	04422927	1	body
53	04422935	2	pin
55	04422932	2	pin
58	04199128	1	box
70	04419812	1	plug
71	04419818	4	gasket
74	04419820	1	gasket
77	04419824	1	gasket
80	04422939	1	flexible hose
81	04422940	1	flexible hose

CABLE HARNESS DASHBOARD CONSOLE - POWERSHIFT - SYNCROSPLIT

Fig.	Code	QTY	Name
1	05047605	0	cable harness ☞ 18.49.30
2	05047605	0	cable harness ☞ 18.49.30
3	05047605	0	cable harness ☞ 18.49.30
4	05047605	0	cable harness ☞ 18.49.30
5	05047605	0	cable harness ☞ 18.49.30
6	05047605	0	cable harness ☞ 18.49.30
7	05047605	0	cable harness ☞ 18.49.30
8	05047605	0	cable harness ☞ 18.49.30
9	05047605	0	cable harness ☞ 18.49.30
10	05047605	0	cable harness ☞ 18.49.30
11	05047605	0	cable harness ☞ 18.49.30
12	05047605	0	cable harness ☞ 18.49.30
13	05047605	0	cable harness ☞ 18.49.30
14	05047605	0	cable harness ☞ 18.49.30
15	05047605	0	cable harness ☞ 18.49.30
16	05047605	0	cable harness ☞ 18.49.30
17	441 1517, 441 1848	0	cable harness ☞ 18.49.30
18	05047605	0	cable harness ☞ 18.49.30
19	05047605	0	cable harness ☞ 18.49.30
100	04422987	2	pin
101	04422950	1	pin
102	04422951	1	pin
104	04422952	2	none
105	04422953	8	brace
106	04422954	7	brace



CABLE HARNESS ROOF - SYNCHROSPLIT - POWERSHIFT - COMPLETE

Fig.	Code	QTY	Name
23	05047623	0	cable harness ☞ 18.49.34
70	01143147	3	sleeve DIN 046247- 6,3-1 -CUSN-GAL S N
71	01139373	1	sleeve DIN 046340-A6,3-2,5-BZ-GAL SN
72	01143147	8	sleeve DIN 046247- 6,3-1 -CUSN-GAL S N
73	01100554	3	sleeve DIN 046247- 6,3-2,5-BZ
74	01137620	1	cab. terminals DIN 046225-A 8-10
76	04423188	2	pin
77	04423189	2	piston pin
78	04423190	2	sleeve
79	01132976	2	sleeve DIN 046247- 4,8-2,5-BZ
81	04423192	1	connection
82	01171030	1	pin DIN 046248-A6,3- 2,5-BZ
89	04423197	1	body
90	04423162	2	gasket
92	04423193	2	body
96	04423199	3	body
101	04419810	8	body
104	04423203	2	body
105	04423204	2	none
106	04423205	1	body
109	04423179	1	box



KABELSATZ
SET OF WIRING
JEU DE CABLES
JUEGO DE CABLES

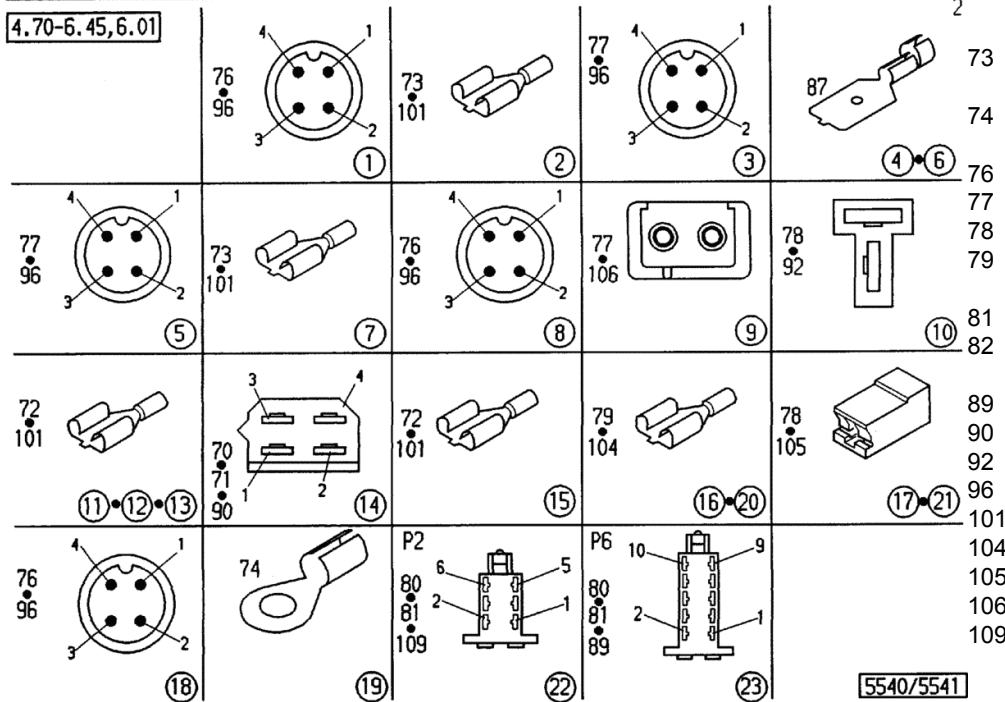
DACH
ROOF
TOIT
TAJEDO/TECHO

-SYNCHROSPLIT-
-POWERSHIFT-
-KOMPLETT- 441 3202

← 2/97

2005-49 0504 7621 72

4.70-6.45,6.01



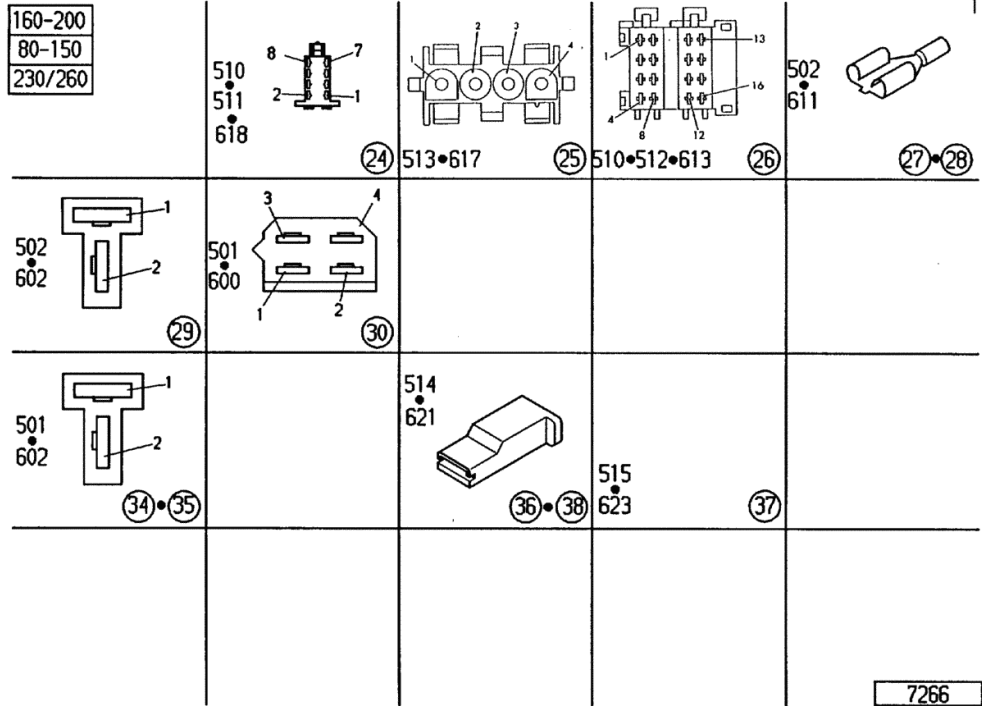
5540/5541

CABLE HARNESS ROOF - SYNCROSPLIT - POWERSHIFT

Fig.	Code	QTY	Name
24	05047810	0	cable harness ☞ 18.49.39
25	05047810	0	cable harness ☞ 18.49.39
26	05047810	0	cable harness ☞ 18.49.39
27	05047810	0	cable harness ☞ 18.49.39
28	05047810	0	cable harness ☞ 18.49.39
29	05047811	0	cable harness ☞ 18.49.40
30	05047811	0	cable harness ☞ 18.49.40
31	05047811	0	cable harness ☞ 18.49.40
32	05047811	0	cable harness ☞ 18.49.40
33	05047811	0	cable harness ☞ 18.49.40
34	05047811	0	cable harness ☞ 18.49.40
35	05047811	0	cable harness ☞ 18.49.40
36	05047811	0	cable harness ☞ 18.49.40
37	05047811	0	cable harness ☞ 18.49.40
38	05047811	0	cable harness ☞ 18.49.40
501	01139373	4	sleeve
502	01143147	6	sleeve DIN 046340-A6,3-2,5-BZ-GAL SN DIN 046247- 6,3-1 -CUSN-GAL S N
510	04423191	3	washer mm 5.60
511	04423192	3	connection
513	04423198	1	none
514	04423174	2	connection
515	04424469	1	connection
600	04424470	2	box
602	04424463	4	body
611	04419810	108	body
612	04423201	1	body

DEUTZ FAHR KABELSATZ DACH SET OF WIRING ROOF JEU DE CABLES TOIT JUEGO DE CABLES TAJEDO/TECHO

-SYNCROSPLIT- 442 4191 2005-49 0504 7809
-POWERSHIFT- 3/97



CABLE HARNESS CONTROL CONSOLE - AGROTRONIC - HD - POWERSHIFT

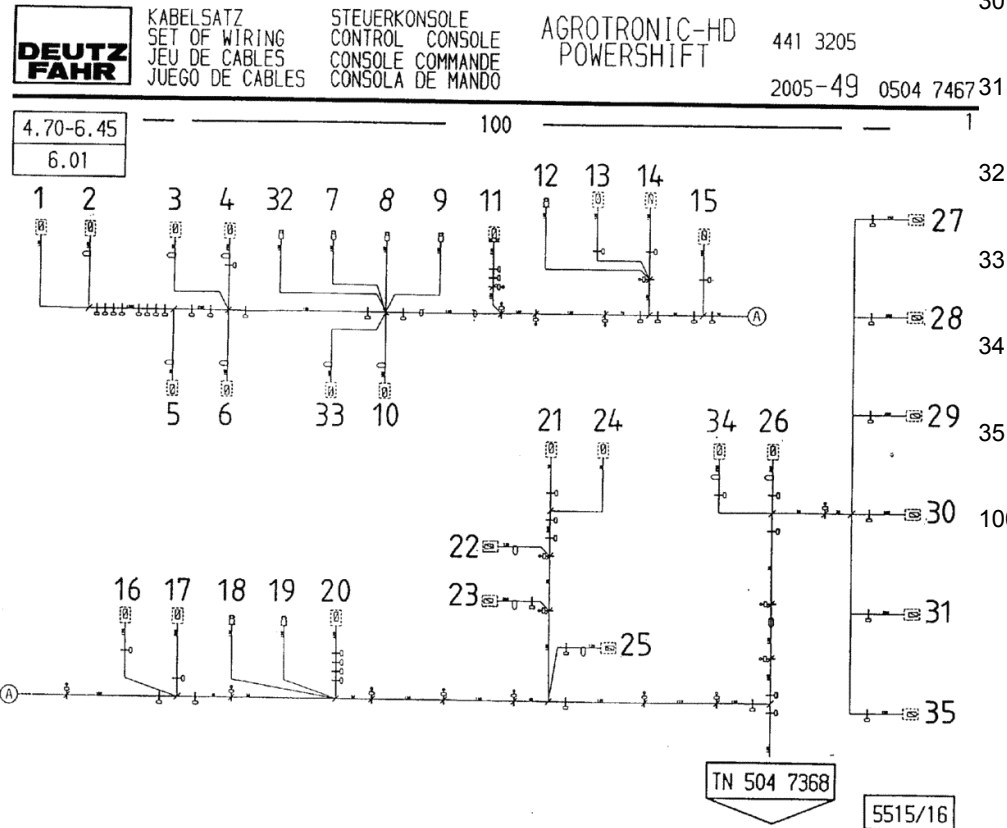


Fig.	Code	QTY	Name
29	05047618	0	18.49.56 cable harness AS3
30	05047618	0	18.49.56 cable harness AS4
	05047618	0	18.49.56 cable harness AS5
32	05047618	0	18.49.56 cable harness MASS CAB
33	05047618	0	18.49.56 cable harness LS - DIAGNOSTICS
34	05047618	0	18.49.56 cable harness LS - GEAR SHIFT
35	05047618	0	18.49.56 cable harness AS 6
	04413205	1	18.49.56 control grp. CABLE HARNESS COMPL.

CABLE HARNESS CONTROL CONSOLE - AGROTRONIC L - H - POWERSHIFT

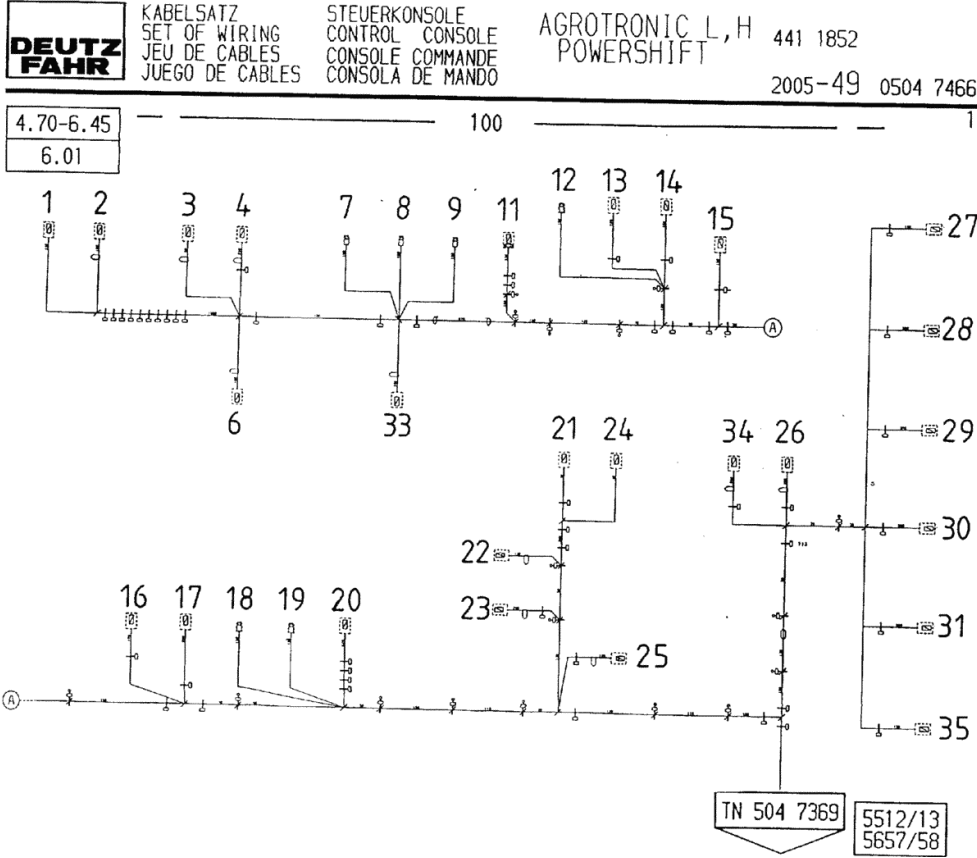


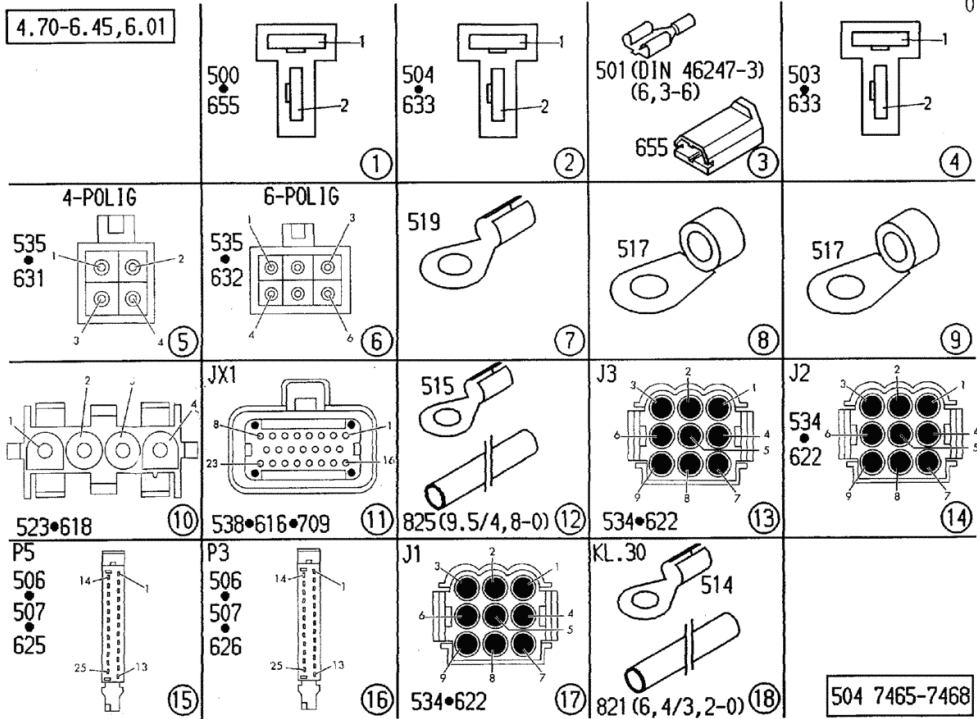
Fig.	Code	QTY	Name
			J1
18	05047617	0	18.49.55 cable harness POWER SUPPLY TERMINAL 30
19	05047618	0	18.49.55 cable harness POWER SUPPLY TERMINAL 30
20	05047618	0	18.49.56 cable harness DS 1
21	05047618	0	18.49.56 cable harness WARNING BEACON
22	05047618	0	18.49.56 cable harness P.T.O. SHAFT REAR CONTROL CONSOLE
23	05047618	0	18.49.56 cable harness ON-BOARD COMPUTER
24	05047618	0	18.49.56 cable harness SCREEN WIPER REAR
25	05047618	0	18.49.56 cable harness FRONT P.T.O. SHAFT
26	05047618	0	18.49.56 cable harness ACTIVE LOCK
27	05047618	0	18.49.56 cable harness AS 1
28	05047618	0	18.49.56 cable harness AS 2
29	05047618	0	18.49.56 cable harness AS 3
30	05047618	0	18.49.56 cable harness AS 4

CABLE HARNESS CONTROL CONSOLE - AGROTRONIC - HD - L - H - SYNCROPLIT - POWERSHIFT



KABELSATZ STEUERKONSOLE AGROTRONIC (HD) (L,H) 441 1852/441 1954
 SET OF WIRING CONTROL CONSOLE -SYNCROPLIT- 441 3205/441 3798
 JEU DE CABLES CONSOLE COMMANDE -POWERSHIFT- 2005-49 0504 7617
 JUEGO DE CABLES CONSOLA DE MANDO

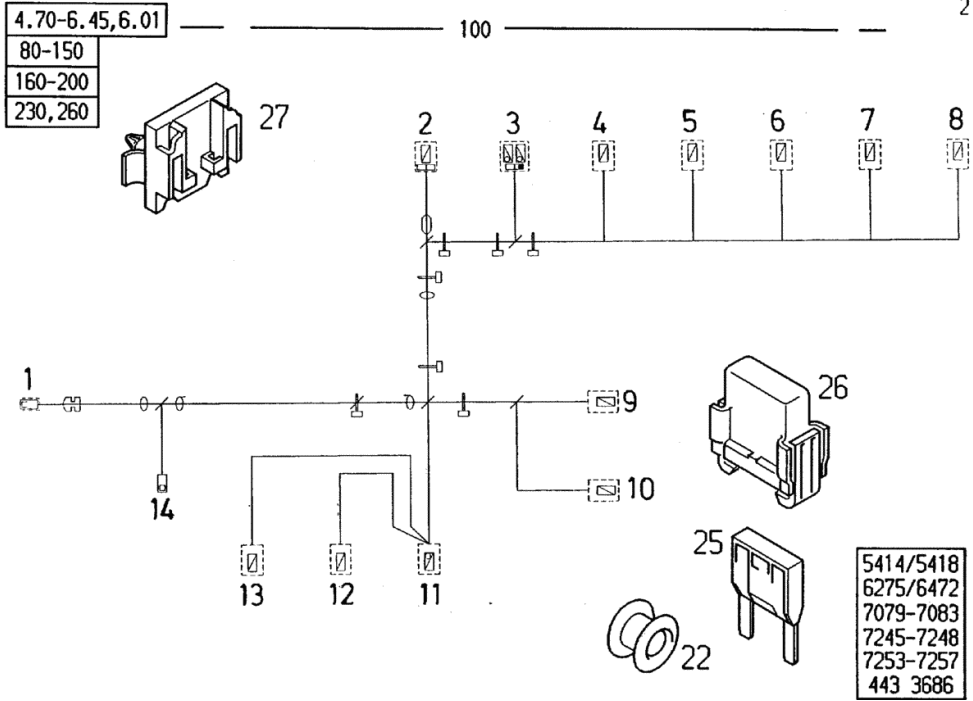
Fig.	Code	QTY	Name
504	01163012	1	sleeve DIN 046340-B6,3-6 -BZ
506	04422987	3	pin
507	04422988	3	pin
514	04422991	1	cab.terminals
515	01102604	1	cab.terminals DIN 046234- 6 - 6
517	01102728	1	cab.terminals DIN 046234- 8 - 16
519	01139927	1	cab.terminals DIN 046225-A 8- 1 -GAL SN
523	04422955	1	pin
534	04422996	3	piston pin
535	04422997	2	piston pin
538	04423134	1	piston pin
616	04422974	1	box
618	04422981	1	body
622	04422977	3	box
625	04422978	1	box
626	04422979	1	box
631	04422983	1	box
632	04422984	1	box
633	04419807	4	body
655	04419810	1	body
709	04423147	2	plug
821	04419828	1	flexible hose
825	04419827	1	flexible hose



CABLE HARNESS HEATING - AIR CONDITIONING UNIT

Fig.	Code	QTY	Name
26	04418857	1	cover
27	04418858	1	plate
100	04418100.4	1	cable harness

DEUTZ FAHR KABELSATZ SET OF WIRING HEIZUNG HEATING SYSTEM KLIMAANLAGE AIR CONDIT. PLANT 441 8100
 JEU DE CABLES CHAUFFAGE INST. CONDIT D'AIR INST. ACONDIC. AIRE 2005-49 0504 7487
 JUEGO DE CABLES CALEFACCION



CABLE HARNESS SPRUNG FRONT AXLE

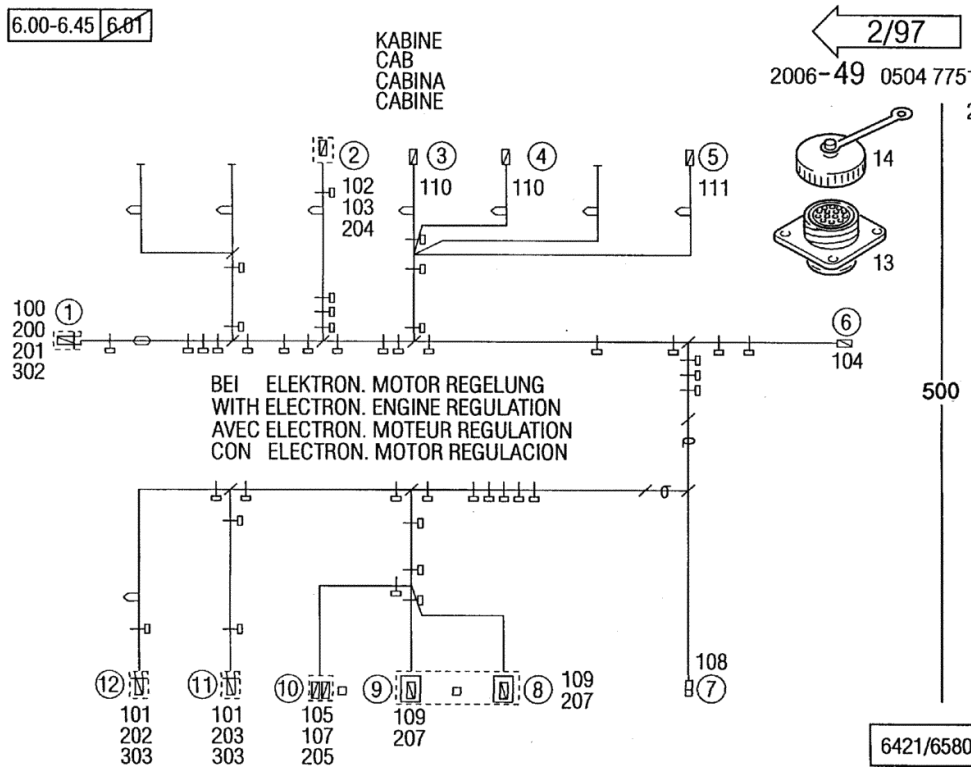
Fig.	Code	QTY	Name
1	05047752	0	cable harness JOINT CAB / BODY ☞ 18.49.72
2	05047752	0	cable harness SWITCH SPRUNG FRONT AXLE ☞ 18.49.72
3	05047752	0	cable harness ADI - 13 DIAGNOSTICS ☞ 18.49.72
4	05047752	0	cable harness ADI - 14 DIAGNOSTICS ☞ 18.49.72
5	05047752	0	cable harness P3 - 19 ☞ 18.49.72
6	05047752	0	cable harness J2 - 07 ☞ 18.49.72
7	05047752	0	cable harness MASS D = 8 ☞ 18.49.72
8	05047752	0	cable harness FUSE ☞ 18.49.72
9	05047752	0	cable harness FUSE ☞ 18.49.72
10	05047752	0	cable harness RELAY ☞ 18.49.72
11	05047752	0	cable harness JX4 ☞ 18.49.72
12	05047752	0	cable harness JX3 ☞ 18.49.72
13	04422662	1	socket
14	04422875	1	cover
100	04422944	1	pin
101	04423134	2	piston pin

DEUTZ FAHR KABELSATZ SET OF WIRING JEU DE CABLES JUEGO DE CABLES GEFEDERTE SUSPENDED SUSPENSION AVANTEUX FRONT AXLE AVANTEUX DELANTERA



442 2661

6.00-6.45 6.01



Section: ELECTRIC AL SYSTEM
CABLE HARNESS TAIL LIGHT



KABELSATZ
 SET OF WIRING
 JEU DE CABLES
 JUEGO DE CABLES

SCHLUSSLEUCHE
 TAIL LIGHT
 FEU ARRIERE
 PILOTO TRASERO

442 4193

2005-49 0504 7806g

160, 175, 200
 80-150

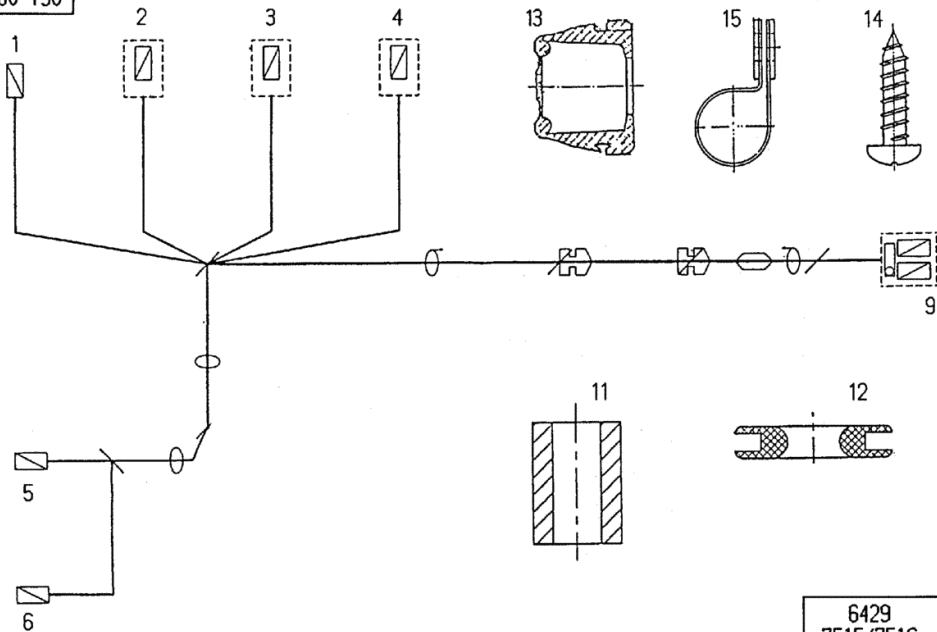
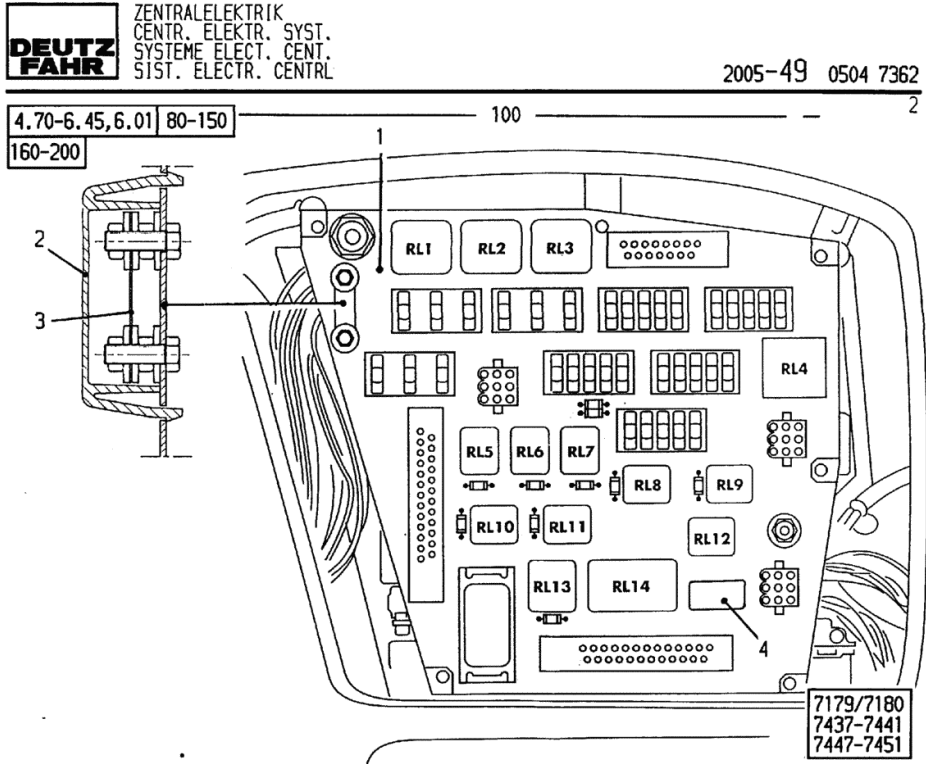


Fig.	Code	QTY	Name
1	00000000	0	not serviceable
2	00000000	0	not serviceable
3	00000000	0	not serviceable
4	00000000	0	not serviceable
5	00000000	0	not serviceable
6	00000000	0	not serviceable
			TOP
			TOP
			not serviceable
11	04418385	1	rubber sleeve
12	04418830	1	sleeve
13	01173336	1	rubber bushing
14	01179244	1	screw H 002928-N 7-10 CR-SW
15	04418395	1	clamp H 002093- 7981-ST4,2X16 -C -H
100	04424193.4	1	cable CABLE HARNESS COMPL.

CENTRAL ELECTRICS

Fig.	Code	QTY	Name
1	04418510	1	central device
2	04418509	1	cover
3	04418507	1	fuse 100 A
4	04419534	1	stickers
100	04419533.4	1	electronic unit ☞ 04419533.4



WATER TANK

DEUTZ FAHR
 WASSERBEHAELTER
 WATER RESERVOIR
 RESERVOIR D'EAU
 DEPOSITO DE AGUA

2005 - 49 0504 7501

4.70-6.45, 6.01|160,175,200
 80-150

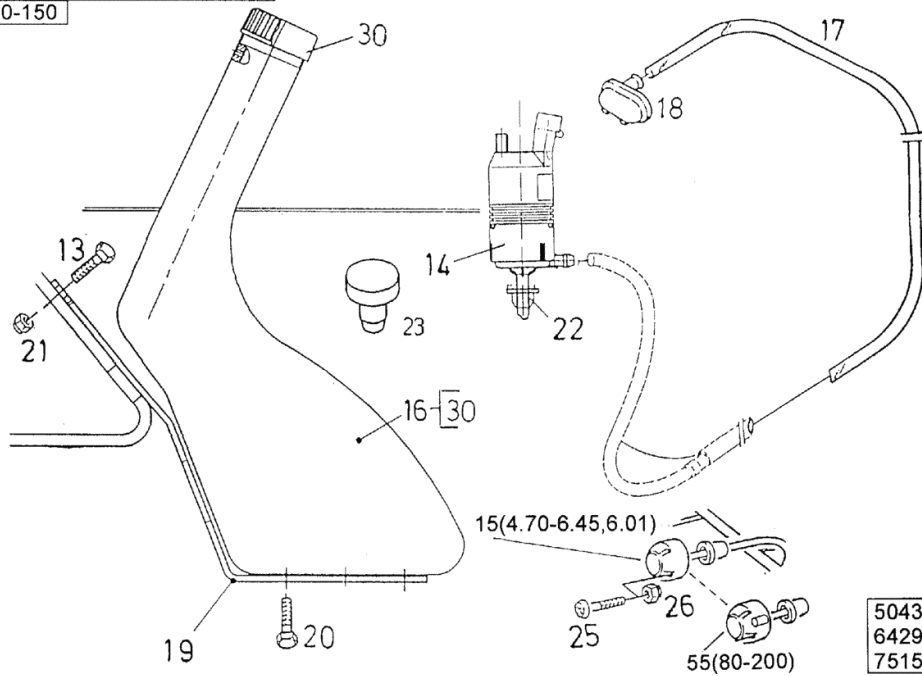


Fig.	Code	QTY	Name
13	01144693	2	screw DIN 000933-M 8 X 30 Z1-ST- 8. 8-A4C
14	04414105	1	electropump
15	01178983	1	device
16	04414585.4	1	tank
17	01396853	1	flexible hose H 847380-08- 4,6X1,5 -PVC-GLA CLEAR
18	01261734	1	nozzle
19	04413240	1	tank support
20	01144691	3	screw m 8 x 12 DIN 000933-M 8 X 12 Z1-ST- 8. 8-A4C
21	01112824	2	nut m 8, d934 ISO 004032-M 8 - 8-A4C
22	04414582	1	cap
23	01167308	1	plug 7.2x5.2x9 H 002873-A 7,2X 5,2X 9 -PE WE ICH-SW
25	04415869	3	screw m 5 x 35 DIN 007985-M 5X 35 - 4.8-H-A4 C-TORX T25
26	01136451	3	nut 5 DIN 000980-VM 5 - 8-A4C GEWAC HST
30	04414770	1	plug
55	04424116	1	socket WITH 1-POLE SOCKET-OUTLET

WORKING SPOTLIGHT REAR ROOF

Fig.	Code	QTY	Name
1	04424197	1	body
2	04425581	1	glass
3	01102258	1	lamp H3 DIN 072601-YC 12V 55 W
4	04426563	1	screw H 002093- 607-M 8 X 55 - 8.8
5	04425583	1	bracket
6	04426569	1	nut H 002093-004032-M8 -8
7	04426570	1	washer H 002093- 137-B8
8	04426578	1	washer H 002093- 137-B10
9	04426579	1	nut H 002093- 980-VM10
10	01171772	1	screw H 002093- 933-M10 X 20- 8.8
11	04426584	4	screw H 002093- 7983-ST3.9 X 50 -C -H
13	04425586	1	washer
14	04425587	1	gasket
15	04425591	1	reflector
16	04425588	1	shim
17	04425589	1	spring
18	04425590	1	socket
20	04424195.4	2	headlight
26	04411496.4	1	switch
27	04411505	1	plate
28	04411492	1	relay 40 A



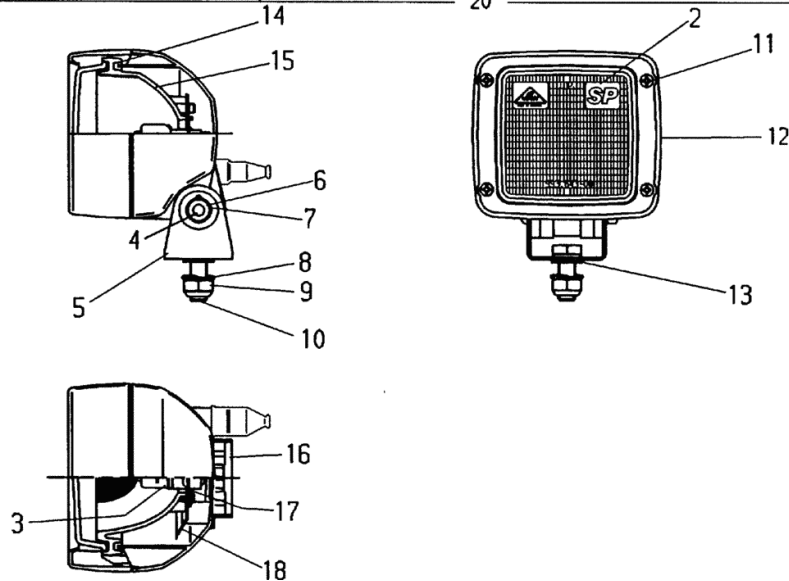
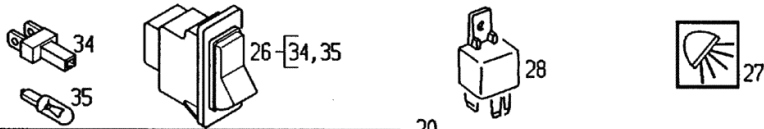
ARBEITSSCHEINWERF.
WORKING FLOODLIGHT
PHARE DE TRAVAIL
LAMPARA MESA TRAB

HINTEN
REAR
ARRIERE
ATRAS

DACH
ROOF
TEJADO/TECHO
TOIT

2005-49 0504 7795 6

80-150
160-200
230/260



442 5592

RADAR SENSOR

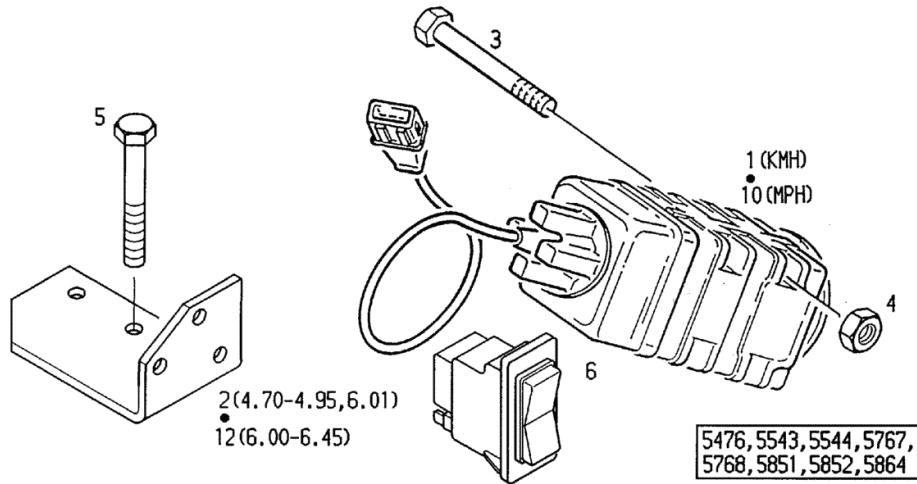
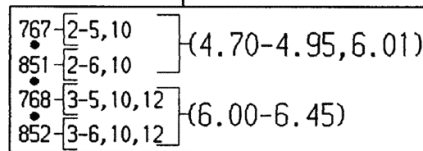
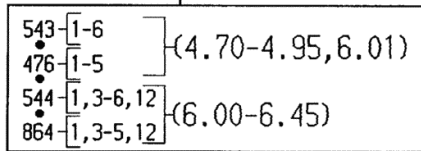
Fig.	Code	QTY	Name
1	04418869	1	radar
2	04418637	1	support
3	01101940	4	screw ISO 004014- M 6 X100 - 8.8-A4 C
4	01112814	3	nut m6 znphrf ISO 004032-M 6 -A 8-ZNPHRF
5	01100081	21	screw ISO 004017-M18 X 35 - 8.8-A4C
6	04414584	1	switch
10	04418870	1	radar
12	04412042	1	lever
476	03605476	1	radar RETROFIT ASSEMBLY
543	03605543	1	radar RETROFIT ASSEMBLY
544	03605544	1	radar RETROFIT ASSEMBLY
767	03605767	1	radar RETROFIT ASSEMBLY
768	03605768	1	radar RETROFIT ASSEMBLY
851	03605851	1	radar RETROFIT ASSEMBLY
852	03605852	1	radar RETROFIT ASSEMBLY
864	03605864	1	position sensor RETROFIT ASSEMBLY



2007-81 0504 7127

4.70-6.45,6.01 KM/H

MPH



Section: ENGINE
PISTON COOL.NOZZLE

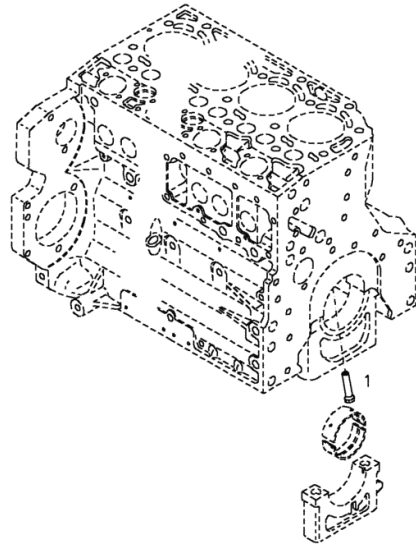
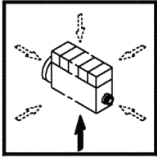
Fig.	Code	QTY	Name
------	------	-----	------

Engine Serial Numbers:

156816 156817 156818 159483 159484 159485 159486 159487 159488 159489 164416 168190 168191 168192
 168193 168194 168195 168196 168197 170119 170120 175649 175650 175651 179254 179255 179256 181540
 181541 181542 181543 185283 185284 185285 185286 185287 185288 185289 185290 219192 277505 312897
 391606 391607 391608 391609 391610 391611 391612 391613 391614 391615 391616 391617 391618 391619
 391620 391621 391622 391623 391624 391625 397101 397102 397103 397104 397105 397106 397107 401191
 401192 401193 401194 401195 401196 408604 408605 408606 408607 408608 408609 408610 408611 408612
 408613 408614 408615 413610 413611 413612 413613 413614 413615 413616 413617 425479 425480 432093
 432094 432095 432096 432097 432098 432099 432100 435813 435814 435815 435816 435817 435818 435819
 435820 438566 438567 438568 438569 438570 438571 438572 438573 438574 438575 438576 438577 438578
 438579 438580 438581 438582 438583 443987 443988 443989 443990 443991 443992 443993 443994 445240
 445241 445242 445243 445244 445245 447494 447495 447496 447497 447498 447499 447500 447501 447502
 447503 447504 447505 447506 447507 451566 451567 455382 455383 455384 455385 455386 455387 466243
 466244 467078 467079 467080 470020 470021 470022 470023 470024 470025 470569 470570 470571 470572
 470573 475677 476403 481926 488403 488404 488405 488406 488407 488408 488409 488410 488411 488412
 488413 488414 488415 488416 488417 488418 488419 488420 488421 488422 488423 488424 488425 488426
 488427 488428 495358 495359 495360 495361 495362 495363 495364 495365 495366 495367 500815 500816
 500817 500818 500819 500820 500821 500822 500823 500824 500825 500826 510660 510661 510672 510673
 510674 510675 510676 510677 510678 510679 510680 510681 515098 515099 515100 515101 515102 516602
 516603 516604 516605 518225 518226 518227 518228 518229 518230 518231 518232 519629 519630 519631
 519632 519633 519634 519635 519636 519637 519638 519639 519640 519641 519642 519643 519644 519645
 519646 519647 530101 530102 530103 530104 530105 530106 530107 530108 530109 530110 530111 530112
 530113 530114 530115 530116 530117 530118 530119 530120 541766 548322 548323 548324 548325 548326
 548327 548328 549282 550263 553031 553032 553033 553034 553035 553036 553037 553038 553039 553040
 553427 553428 553429 553430 553431 553432 553433 553434 553435 562377 562378 562379 562380 562381
 562382 562383 562384 567690 567691 567692 567693 570606 570607 570608 573451 573452 573453 573454
 573455 573456 573457 573458 573459 573460 573461 573462 580691 580692 580693 580694 580695 580696
 580697 580698 584538 584539 584540 584541 584542 595532 603278 603279 603280 603281 603282 606527
 606528 612776 612777 612778 612779 612780 612781 612782 612783 612784 612785

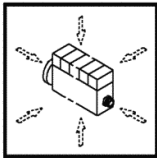
001 ©

1	04203968	1	cooling nozzle
---	----------	---	----------------

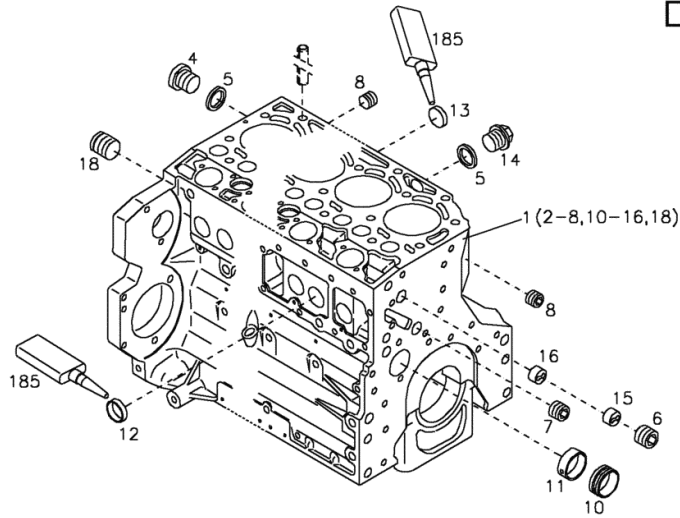


Section: ENGINE
CRANKCASE

Fig.	Code	QTY	Name
13	01148031	6	plug DIN 000443-A36-ZNPHR
14	01100940	2	screw DIN 007604-AM14X1,5 -ST-A4C
15	04202518	1	sleeve
16	04202517	1	sleeve
18	01181155	1	plug H 002812-2838-M22X1,5-ST-PRE80
185	01016127	0	sealing compound ml. 50 H 000699-DEUTZ DW 72- 50 ML



001 ©



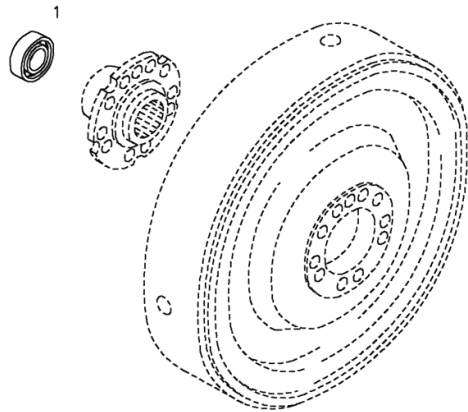
Section: ENGINE
ACCESSORIES

Fig.	Code	QTY	Name
------	------	-----	------

Engine Serial Numbers:

156816 156817 156818 159483 159484 159485 159486 159487 159488 159489 164416 168190 168191 168192
 168193 168194 168195 168196 168197 170119 170120 175649 175650 175651 179254 179255 179256 181540
 181541 181542 181543 185283 185284 185285 185286 185287 185288 185289 185290 219192 277505 312897
 391606 391607 391608 391609 391610 391611 391612 391613 391614 391615 391616 391617 391618 391619
 391620 391621 391622 391623 391624 391625 397101 397102 397103 397104 397105 397106 397107 401191
 401192 401193 401194 401195 401196 408604 408605 408606 408607 408608 408609 408610 408611 408612
 408613 408614 408615 413610 413611 413612 413613 413614 413615 413616 413617 425479 425480 432093
 432094 432095 432096 432097 432098 432099 432100 435813 435814 435815 435816 435817 435818 435819
 435820 438566 438567 438568 438569 438570 438571 438572 438573 438574 438575 438576 438577 438578
 438579 438580 438581 438582 438583 443987 443988 443989 443990 443991 443992 443993 443994 445240
 445241 445242 445243 445244 445245 447494 447495 447496 447497 447498 447499 447500 447501 447502
 447503 447504 447505 447506 447507 451566 451567 455382 455383 455384 455385 455386 455387 466243
 466244 467078 467079 467080 470020 470021 470022 470023 470024 470025 470569 470570 470571 470572
 470573 475677 476403 481926 488403 488404 488405 488406 488407 488408 488409 488410 488411 488412
 488413 488414 488415 488416 488417 488418 488419 488420 488421 488422 488423 488424 488425 488426
 488427 488428 495358 495359 495360 495361 495362 495363 495364 495365 495366 495367 500815 500816
 500817 500818 500819 500820 500821 500822 500823 500824 500825 500826 510660 510661 510672 510673
 510674 510675 510676 510677 510678 510679 510680 510681 515098 515099 515100 515101 515102 516602
 516603 516604 516605 518225 518226 518227 518228 518229 518230 518231 518232 519629 519630 519631
 519632 519633 519634 519635 519636 519637 519638 519639 519640 519641 519642 519643 519644 519645
 519646 519647 530101 530102 530103 530104 530105 530106 530107 530108 530109 530110 530111 530112
 530113 530114 530115 530116 530117 530118 530119 530120 541766 548322 548323 548324 548325 548326
 548327 548328 549282 550263 553031 553032 553033 553034 553035 553036 553037 553038 553039 553040
 553427 553428 553429 553430 553431 553432 553433 553434 553435 562377 562378 562379 562380 562381
 562382 562383 562384 567690 567691 567692 567693 570606 570607 570608 573451 573452 573453 573454
 573455 573456 573457 573458 573459 573460 573461 573462 580691 580692 580693 580694 580695 580696
 580697 580698 584538 584539 584540 584541 584542 595532 603278 603279 603280 603281 603282 606527
 606528 612776 612777 612778 612779 612780 612781 612782 612783 612784 612785

000 ©



1	01136432	1	ball bearing DIN 000625- 6304-2RS 1
---	----------	---	--

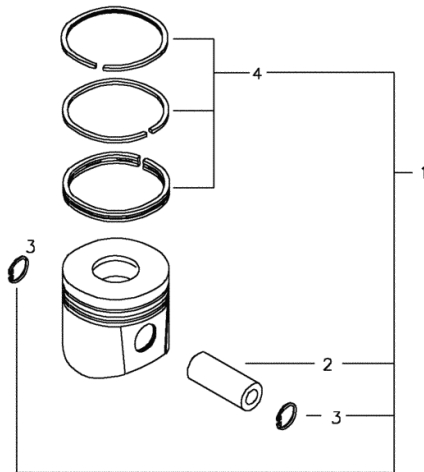
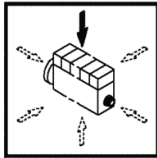
PISTON

Fig.	Code	QTY	Name
------	------	-----	------

Engine Serial Numbers:

156816 156817 156818 159483 159484 159485 159486 159487 159488 159489 164416 168190 168191 168192
 168193 168194 168195 168196 168197 170119 170120 175649 175650 175651 179254 179255 179256 181540
 181541 181542 181543 185283 185284 185285 185286 185287 185288 185289 185290 219192 277505 312897

1	04255043	1	piston NORMAL (A) MM RD, FOR OVERSIZED PART SEE POS (B) A = 94.00 MM B = POS. 950
2	04192349	1	piston pin
3	01107820	2	circlip DIN 000472- 34X1,5
4	04251766	1	piston ring set NORMAL (A) MM RD, FOR OVERSIZED PART SEE POS (B) A = 94.00 MM B = POS. 951
950	04255047	0	piston 1ST OVERSIZE 94.50 MM
951	04251898	0	piston ring set 1ST OVERSIZE 94.50 MM



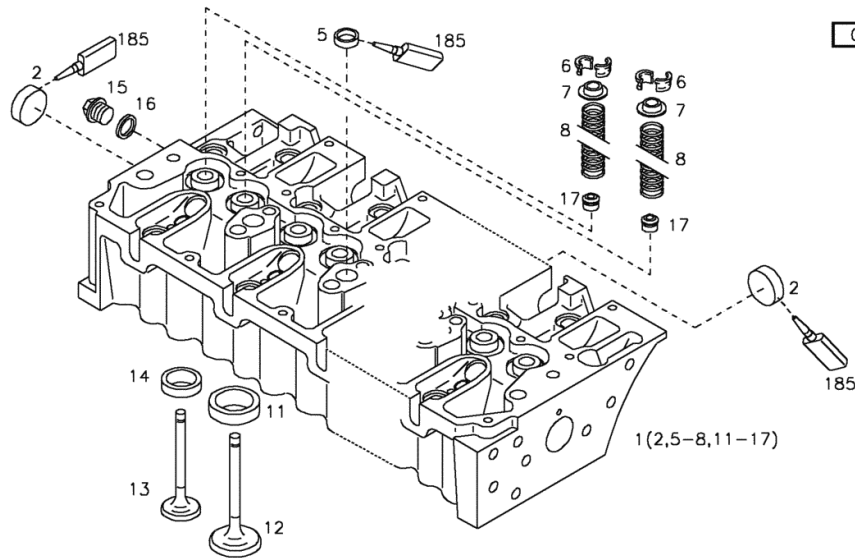
Section: ENGINE
CYLINDER HEAD

Fig.	Code	QTY	Name
------	------	-----	------

Engine Serial Numbers:

481926 488403 488404 488405 488406 488407 488408 488409 488410 488411 488412 488413 488414 488415
 488416 488417 488418 488419 488420 488421 488422 488423 488424 488425 488426 488427 488428 495358
 495359 495360 495361 495362 495363 495364 495365 495366 495367 500815 500816 500817 500818 500819
 500820 500821 500822 500823 500824 500825 500826 510660 510661 510672 510673 510674 510675 510676
 510677 510678 510679 510680 510681 515098 515099 515100 515101 515102 516602 516603 516604 516605
 518225 518226 518227 518228 518229 518230 518231 518232 519629 519630 519631 519632 519633 519634
 519635 519636 519637 519638 519639 519640 519641 519642 519643 519644 519645 519646 519647 530101
 530102 530103 530104 530105 530106 530107 530108 530109 530110 530111 530112 530113 530114 530115
 530116 530117 530118 530119 530120 541766 548322 548323 548324 548325 548326 548327 548328 549282
 550263 553031 553032 553033 553034 553035 553036 553037 553038 553039 553040 553427 553428 553429
 553430 553431 553432 553433 553434 553435 562377 562378 562379 562380 562381 562382 562383 562384
 567690 567691 567692 567693 570606 570607 570608 573451 573452 573453 573454 573455 573456 573457
 573458 573459 573460 573461 573462 580691 580692 580693 580694 580695 580696 580697 580698 584538
 584539 584540 584541 584542 595532 603278 603279 603280 603281 603282 606527 606528 612776 612777
 612778 612779 612780 612781 612782 612783 612784 612785

000 ©



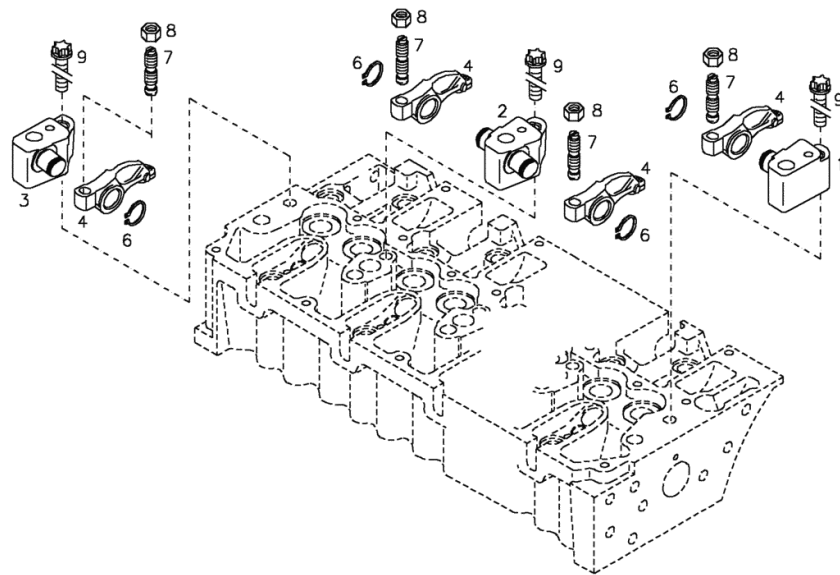
1	04255218	1	engine head WITH ITEM (2,5-8,11-17)
2	01179634	5	plug H 002860-A36-ST-FE/ZNPHR
5	01165828	5	stop H 000711-B20
6	02108102	24	half shell H 007020-MK 8
7	04192399	12	cup
8	03369305	12	spring
11	04192397	6	ring
12	04255216	6	inlet valve
13	04255217	6	inlet valve
14	04192396	6	ring
15	01122964	1	plug m 26 p.1.5 DIN 007604-AM26X1,5 -ST-A4C
16	01118760	1	gasket 26x31 DIN 007603-A 26 X 31 -CU
17	04153728	12	gasket
185	01016127	0	sealing compound ml. 50 H 000699-DEUTZ DW 72- 50 ML

Section: ENGINE
ROCKER ARM BRACKET

Fig.	Code	QTY	Name
------	------	-----	------

Engine Serial Numbers:

277505 312897 391606 391607 391608 391609 391610 391611 391612 391613 391614 391615 391616 391617
 391618 391619 391620 391621 391622 391623 391624 391625 397101 397102 397103 397104 397105 397106
 397107 401191 401192 401193 401194 401195 401196 408604 408605 408606 408607 408608 408609 408610
 408611 408612 408613 408614 408615 413610 413611 413612 413613 413614 413615 413616 413617 425479
 425480 432093 432094 432095 432096 432097 432098 432099 432100 435813 435814 435815 435816 435817
 435818 435819 435820 438566 438567 438568 438569 438570 438571 438572 438573 438574 438575 438576
 438577 438578 438579 438580 438581 438582 438583 443987 443988 443989 443990 443991 443992 443993
 443994 445240 445241 445242 445243 445244 445245 447494 447495 447496 447497 447498 447499 447500
 447501 447502 447503 447504 447505 447506 447507 451566 451567 455382 455383 455384 455385 455386
 455387 466243 466244 467078 467079 467080 470020 470021 470022 470023 470024 470025 470569 470570
 470571 470572 470573 475677 476403 481926 488403 488404 488405 488406 488407 488408 488409 488410
 488411 488412 488413 488414 488415 488416 488417 488418 488419 488420 488421 488422 488423 488424
 488425 488426 488427 488428 495358 495359 495360 495361 495362 495363 495364 495365 495366 495367
 500815 500816 500817 500818 500819 500820 500821 500822 500823 500824 500825 500826 510660 510661
 510672 510673 510674 510675 510676 510677 510678 510679 510680 510681 515098 515099 515100 515101
 515102 516602 516603 516604 516605 518225 518226 518227 518228 518229 518230 518231 518232 519629
 519630 519631 519632 519633 519634 519635 519636 519637 519638 519639 519640 519641 519642 519643
 519644 519645 519646 519647 530101 530102 530103 530104 530105 530106 530107 530108 530109 530110
 530111 530112 530113 530114 530115 530116 530117 530118 530119 530120 541766 548322 548323 548324
 548325 548326 548327 548328 549282 550263 553031 553032 553033 553034 553035 553036 553037 553038
 553039 553040 553427 553428 553429 553430 553431 553432 553433 553434 553435 562377 562378 562379
 562380 562381 562382 562383 562384 567690 567691 567692 567693 570606 570607 570608 573451 573452
 573453 573454 573455 573456 573457 573458 573459 573460 573461 573462 580691 580692 580693 580694
 580695 580696 580697 580698 584538 584539 584540 584541 584542 595532 603278 603279 603280 603281
 603282 606527 606528 612776 612777 612778 612779 612780 612781 612782 612783 612784 612785



1	04195928	1	support
2	04195922	5	support
3	04195924	1	support
4	04204023	12	tappets
6	01107731	12	circlip DIN 000471- 21X1,2
7	03365861	12	register
8	02109637	12	nut
9	01181417	7	screw H 002032-HBM 8X 45- 8.8- -ZNAL-A

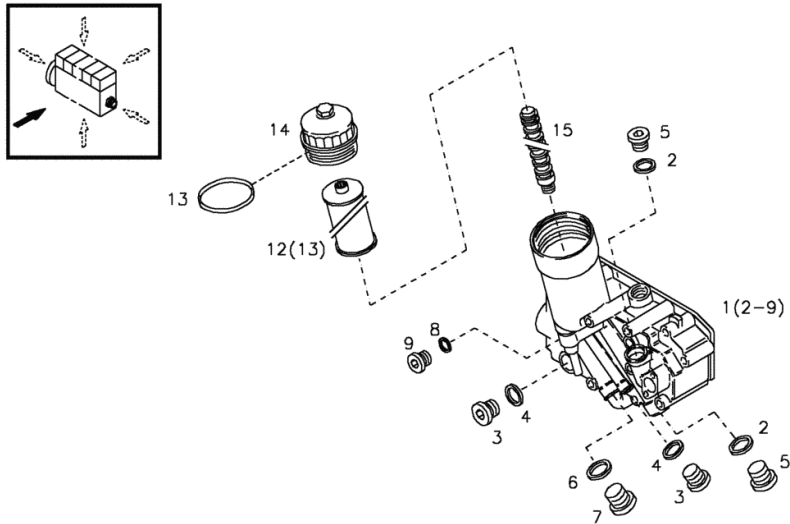
Section: ENGINE
OIL COOLER BOX

Fig.	Code	QTY	Name
------	------	-----	------

Engine Serial Numbers:

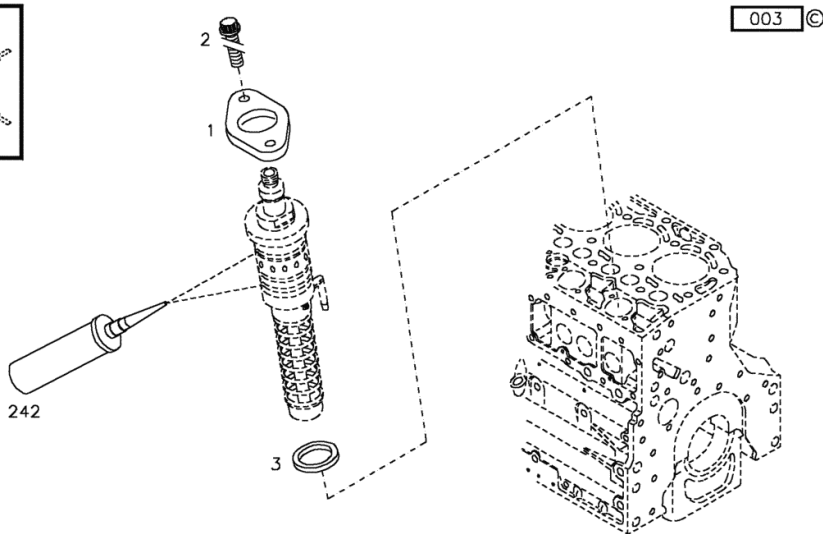
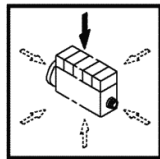
156816 156817 156818 159483 159484 159485 159486 159487 159488 159489 164416 168190 168191 168192
 168193 168194 168195 168196 168197 170119 170120 175649 175650 175651 179254 179255 179256 181540
 181541 181542 181543 185283 185284 185285 185286 185287 185288 185289 185290 219192 277505

1	04208357	1	support WITH ITEM (2-9)
2	01118760	2	gasket 26x31 DIN 007603-A 26 X 31 -CU
3	01137308	2	screw DIN 000908-M18X1,5-ST-A4C
4	01118713	2	washer 18.5 DIN 007603-A 18 X 22 -CU
5	01124760	2	screw DIN 000908-M26X1,5-ST
6	01118784	1	'o' ring 30x36x2 d7603 DIN 007603-A 30 X 36 -CU
7	01103686	1	screw m 30 p.1 DIN 000908-M30X1,5-ST-A4C
8	01118659	1	'o' ring DIN 007603-A 10 X 13,5-CU
9	01131075	1	screw DIN 000908-M10X1 -ST-A4C
12	02931093	1	oil filter WITH ITEM (13)
13	04207184	1	ring
14	04207185	1	cover
15	04208359	1	column



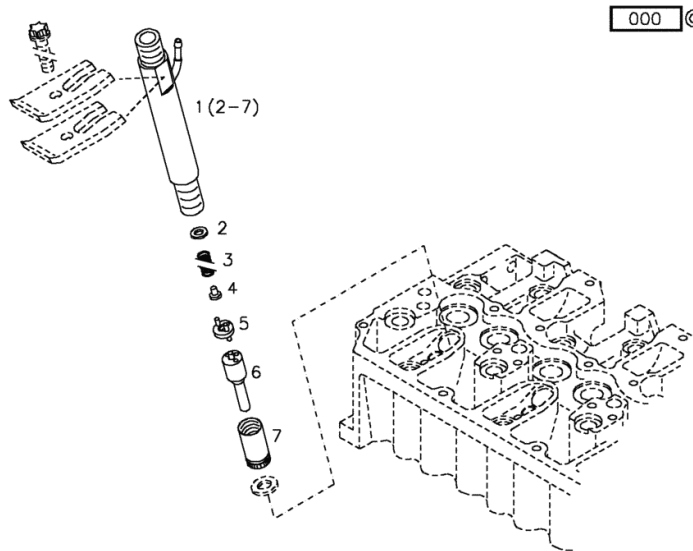
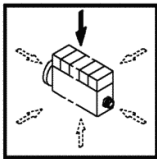
Section: ENGINE
FASTENINGS

Fig.	Code	QTY	Name
			DEPENDENT ON MEASUREMENT RESULT GASKET THICKNESS (A) = MM OTHER THICKNESSES SEE ITEM (B) A = 1.40
952	04204145	0	shim mm 1.50 DEPENDENT ON MEASUREMENT RESULT GASKET THICKNESS (A) = MM OTHER THICKNESSES SEE ITEM (B) A = 1.50
953	04204146	0	shim mm 1.60 DEPENDENT ON MEASUREMENT RESULT GASKET THICKNESS (A) = MM OTHER THICKNESSES SEE ITEM (B) A = 1.60
954	04204147	0	shim mm 1.70 DEPENDENT ON MEASUREMENT RESULT GASKET THICKNESS (A) = MM OTHER THICKNESSES SEE ITEM (B) A = 1.70
955	04204148	0	shim mm 1.80 DEPENDENT ON MEASUREMENT RESULT GASKET THICKNESS (A) = MM OTHER THICKNESSES SEE ITEM (B) A = 1.80
956	04204149	0	shim mm 1.90 DEPENDENT ON MEASUREMENT RESULT GASKET THICKNESS (A) = MM OTHER THICKNESSES SEE ITEM (B) A = 1.90
957	04204150	0	shim mm 2.00 DEPENDENT ON MEASUREMENT RESULT GASKET THICKNESS (A) = MM OTHER THICKNESSES SEE ITEM (B) A = 2.00
958	04204151	0	shim mm 2.10 DEPENDENT ON MEASUREMENT RESULT



Section: ENGINE
FUEL INJECTOR

Fig.	Code	QTY	Name
957	01318890	0	1.35 MM washer mm 1.40 OVERSIZE
958	01318891	0	1.40 MM washer mm 1.45 OVERSIZE
959	01318892	0	1.45 MM washer mm 1.50 OVERSIZE
960	01318893	0	1.50 MM washer mm 1.55 OVERSIZE
961	01318894	0	1.55 MM washer mm 1.60 OVERSIZE
962	01318895	0	1.60 MM washer mm 1.65 OVERSIZE
963	01318896	0	1.65 MM washer mm 1.70 OVERSIZE
964	01318897	0	1.70 MM washer mm 1.75 OVERSIZE
965	01318898	0	1.75 MM washer mm 1.80 OVERSIZE
966	01318899	0	1.80 MM washer mm 1.85 OVERSIZE
967	01318900	0	1.85 MM washer mm 1.90 OVERSIZE
968	01318901	0	1.90 MM washer mm 1.95 OVERSIZE
969	01318902	0	1.95 MM shim mm 2.00 OVERSIZE 2.00 MM



CLICK HERE TO **DOWNLOAD** THE COMPLETE MANUAL

- Thank you very much for reading the preview of the manual.
- You can download the complete manual from: www.heydownloads.com by clicking the link below



- Please note: If there is no response to CLICKING the link, please download this PDF first and then click on it.

CLICK HERE TO **DOWNLOAD** THE COMPLETE MANUAL

Section: ENGINE
HIGH PRESSURE PIPE

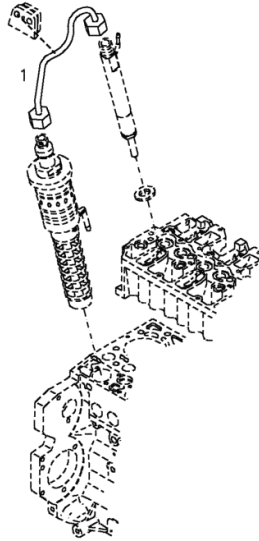
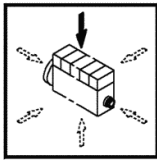
Fig.	Code	QTY	Name
------	------	-----	------

Engine Serial Numbers:

156816 156817 156818 159483 159484 159485 159486 159487 159488 159489 164416

1	04203269	1	tube BLUE COLOUR CODING GR\N SEE ITEM950 (SM 0130-21-9157)
.950	04203268	1	tube GREEN COLOUR CODING BLUE SEE ITEM1 (SM 0130-21-9157)

001 ©

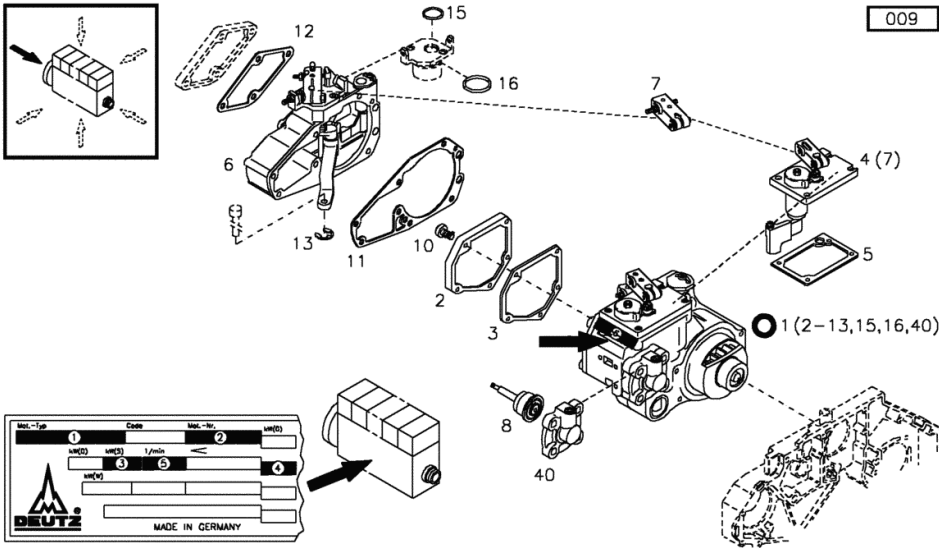


Section: ENGINE
CONTROLLER

Fig.	Code	QTY	Name
------	------	-----	------

Engine Serial Numbers:

156816 156817 156818 159483 159484 159485 159486 159487 159488 159489 164416 168190 168191 168192
 168193 168194 168195 168196 168197 170119 170120 175649 175650 175651 179254 179255 179256 181540
 181541 181542 181543 185283 185284 185285 185286 185287 185288 185289 185290 219192 277505 312897
 391606 391607 391608 391609 391610 391611 391612 391613 391614 391615 391616 391617 391618 391619
 391620 391621 391622 391623 391624 391625 397101 397102 397103 397104 397105 397106 397107 401191
 401192 401193 401194 401195 401196 408604 408605 408606 408607 408608 408609 408610 408611 408612
 408613 408614 408615 413610 413611 413612 413613 413614 413615 413616 413617 425479 425480 432093
 432094 432095 432096 432097 432098 432099 432100 435813 435814 435815 435816 435817 435818 435819
 435820 438566 438567 438568 438569 438570 438571 438572 438573 438574 438575 438576 438577 438578
 438579 438580 438581 438582 438583 443987 443988 443989 443990 443991 443992 443993 443994 445240
 445241 445242 445243 445244 445245 447494 447495 447496 447497 447498 447499 447500 447501 447502
 447503 447504 447505 447506 447507 451566 451567 455382 455383 455384 455385 455386 455387 466243
 466244 467078 467079 467080 470020 470021 470022 470023 470024 470025 470569 470570 470571 470572
 470573 475677 476403 481926 488403 488404 488405 488406 488407 488408 488409 488410 488411 488412
 488413 488414 488415 488416 488417 488418 488419 488420 488421 488422 488423 488424 488425 488426
 488427 488428 495358 495359 495360 495361 495362 495363 495364 495365 495366 495367 500815 500816
 500817 500818 500819 500820 500821 500822 500823 500824 500825 500826 510660 510661 510672 510673
 510674 510675 510676 510677 510678 510679 510680 510681 515098 515099 515100 515101 515102 516602
 516603 516604 516605 518225 518226 518227 518228 518229 518230 518231 518232 519629 519630 519631
 519632 519633 519634 519635 519636 519637 519638 519639 519640 519641 519642 519643 519644 519645
 519646 519647 530101 530102 530103 530104 530105 530106 530107 530108 530109 530110 530111 530112
 530113 530114 530115 530116 530117 530118 530119 530120 541766 548322 548323 548324 548325 548326
 548327 548328 549282 550263 553031 553032 553033 553034 553035 553036 553037 553038 553039 553040
 553427 553428 553429 553430 553431 553432 553433 553434 553435 562377 562378 562379 562380 562381
 562382 562383 562384 567690 567691 567692 567693 570606 570607 570608 573451 573452 573453 573454
 573455 573456 573457 573458 573459 573460 573461 573462 580691 580692 580693 580694 580695 580696
 580697 580698 584538 584539 584540 584541 584542 595532 603278 603279 603280 603281 603282 606527
 606528 612776 612777 612778 612779 612780 612781 612782 612783 612784 612785



1	02931353	1	regulator - NEW PART RECONDITIONED PART, SEE POS. (A) COMPLETE WITH POSITION ... (2-13,15,16,40) A = POS.95
2	02111390	1	flange
3	02111391	1	gasket
4	02111394	1	cover WITH ITEM (7)
5	02111392	1	gasket
6	02111534	1	body
7	01319490	2	lever
8	02111580	1	piston
10	02111831	1	screw
11	02111670	1	gasket

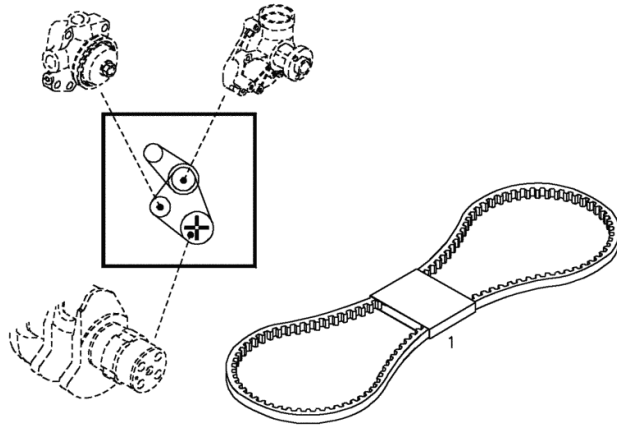
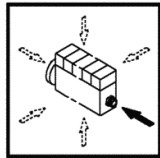
Section: ENGINE
NARROW V-BELT

Fig.	Code	QTY	Name
------	------	-----	------

Engine Serial Numbers:

277505 312897 391606 391607 391608 391609 391610 391611 391612 391613 391614 391615 391616 391617
 391618 391619 391620 391621 391622 391623 391624 391625 397101 397102 397103 397104 397105 397106
 397107 401191 401192 401193 401194 401195 401196 408604 408605 408606 408607 408608 408609 408610
 408611 408612 408613 408614 408615 413610 413611 413612 413613 413614 413615 413616 413617 425479
 425480 432093 432094 432095 432096 432097 432098 432099 432100 435813 435814 435815 435816 435817
 435818 435819 435820 438566 438567 438568 438569 438570 438571 438572 438573 438574 438575 438576
 438577 438578 438579 438580 438581 438582 438583 443987 443988 443989 443990 443991 443992 443993
 443994 445240 445241 445242 445243 445244 445245 447494 447495 447496 447497 447498 447499 447500
 447501 447502 447503 447504 447505 447506 447507 451566 451567 455382 455383 455384 455385 455386
 455387 466243 466244 467078 467079 467080 470020 470021 470022 470023 470024 470025 470569 470570
 470571 470572 470573 475677 476403 481926 488403 488404 488405 488406 488407 488408 488409 488410
 488411 488412 488413 488414 488415 488416 488417 488418 488419 488420 488421 488422 488423 488424
 488425 488426 488427 488428 495358 495359 495360 495361 495362 495363 495364 495365 495366 495367
 500815 500816 500817 500818 500819 500820 500821 500822 500823 500824 500825 500826 510660 510661
 510672 510673 510674 510675 510676 510677 510678 510679 510680 510681 515098 515099 515100 515101
 515102 516602 516603 516604 516605 518225 518226 518227 518228 518229 518230 518231 518232 518233 518234
 519630 519631 519632 519633 519634 519635 519636 519637 519638 519639 519640 519641 519642 519643
 519644 519645 519646 519647 530101 530102 530103 530104 530105 530106 530107 530108 530109 530110
 530111 530112 530113 530114 530115 530116 530117 530118 530119 530120 541766 548322 548323 548324
 548325 548326 548327 548328 549282 550263 553031 553032 553033 553034 553035 553036 553037 553038
 553039 553040 553427 553428 553429 553430 553431 553432 553433 553434 553435 562377 562378 562379
 562380 562381 562382 562383 562384 567690 567691 567692 567693 570606 570607 570608 573451 573452
 573453 573454 573455 573456 573457 573458 573459 573460 573461 573462 580691 580692 580693 580694
 580695 580696 580697 580698 584538 584539 584540 584541 584542 595532 603278 603279 603280 603281
 603282 606527 606528 612776 612777 612778 612779 612780 612781 612782 612783 612784 612785

002 ©



1	01181126	1	small belt AV 13x1185 mm H 003710-AVX 13X1185LA-WA +8 -3
---	----------	---	---

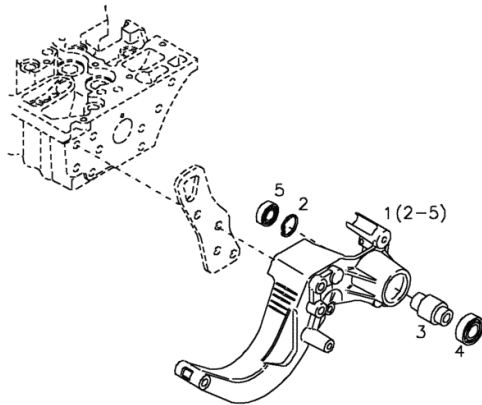
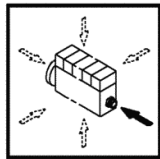
Section: ENGINE
FAN SUPPORT

Fig.	Code	QTY	Name
------	------	-----	------

Engine Serial Numbers:

156816 156817 156818 159483 159484 159485 159486 159487 159488 159489 164416 168190 168191 168192
 168193 168194 168195 168196 168197 170119 170120 175649 175650 175651 179254 179255 179256 181540
 181541 181542 181543 185283 185284 185285 185286 185287 185288 185289 185290 219192 277505 312897
 391606 391607 391608 391609 391610 391611 391612 391613 391614 391615 391616 391617 391618 391619
 391620 391621 391622 391623 391624 391625 397101 397102 397103 397104 397105 397106 397107 401191
 401192 401193 401194 401195 401196 408604 408605 408606 408607 408608 408609 408610 408611 408612
 408613 408614 408615 413610 413611 413612 413613 413614 413615 413616 413617 425479 425480 432093
 432094 432095 432096 432097 432098 432099 432100 435813 435814 435815 435816 435817 435818 435819
 435820 438566 438567 438568 438569 438570 438571 438572 438573 438574 438575 438576 438577 438578
 438579 438580 438581 438582 438583 443987 443988 443989 443990 443991 443992 443993 443994 445240
 445241 445242 445243 445244 445245 447494 447495 447496 447497 447498 447499 447500 447501 447502
 447503 447504 447505 447506 447507 451566 451567 455382 455383 455384 455385 455386 455387 466243
 466244 467078 467079 467080 470020 470021 470022 470023 470024 470025 470569 470570 470571 470572
 470573 475677 476403 481926 488403 488404 488405 488406 488407 488408 488409 488410 488411 488412
 488413 488414 488415 488416 488417 488418 488419 488420 488421 488422 488423 488424 488425 488426
 488427 488428 495358 495359 495360 495361 495362 495363 495364 495365 495366 495367 500815 500816
 500817 500818 500819 500820 500821 500822 500823 500824 500825 500826 510660 510661 510672 510673
 510674 510675 510676 510677 510678 510679 510680 510681 515098 515099 515100 515101 515102 516602
 516603 516604 516605 518225 518226 518227 518228 518229 518230 518231 518232 519629 519630 519631
 519632 519633 519634 519635 519636 519637 519638 519639 519640 519641 519642 519643 519644 519645
 519646 519647 530101 530102 530103 530104 530105 530106 530107 530108 530109 530110 530111 530112
 530113 530114 530115 530116 530117 530118 530119 530120 541766 548322 548323 548324 548325 548326
 548327 548328 549282 550263 553031 553032 553033 553034 553035 553036 553037 553038 553039 553040
 553427 553428 553429 553430 553431 553432 553433 553434 553435 562377 562378 562379 562380 562381
 562382 562383 562384 567690 567691 567692 567693 570606 570607 570608 573451 573452 573453 573454
 573455 573456 573457 573458 573459 573460 573461 573462 580691 580692 580693 580694 580695 580696
 580697 580698 584538 584539 584540 584541 584542 595532 603278 603279 603280 603281 603282 606527
 606528 612776 612777 612778 612779 612780 612781 612782 612783 612784 612785

004 ©



1	04208101	1	support WITH ITEM (2-5)
2	01107838	1	circlip DIN 000472- 52X2
3	04207928	1	shaft
4	01179116	1	bearing 6305 2rs c3 H 004461-63 05-2RS-C3
5	01179676	1	bearing H 004461-62 05-2RS-C3

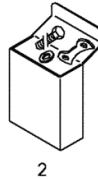
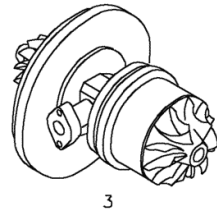
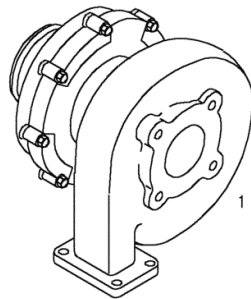
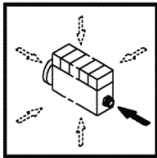
Section: ENGINE
TURBOCHARGER

Fig.	Code	QTY	Name
------	------	-----	------

Engine Serial Numbers:

391606 391607 391608 391609 391610 391611 391612 391613 391614 391615 391616 391617 391618 391619
 391620 391621 391622 391623 391624 391625 397101 397102 397103 397104 397105 397106 397107 401191
 401192 401193 401194 401195 401196 408604 408605 408606 408607 408608 408609 408610 408611 408612
 408613 408614 408615 413610 413611 413612 413613 413614 413615 413616 413617 425479 425480 432093
 432094 432095 432096 432097 432098 432099 432100 435813 435814 435815 435816 435817 435818 435819
 435820 438566 438567 438568 438569 438570 438571 438572 438573 438574 438575 438576 438577 438578
 438579 438580 438581 438582 438583 443987 443988 443989 443990 443991 443992 443993 443994 445240
 445241 445242 445243 445244 445245 447494 447495 447496 447497 447498 447499 447500 447501 447502
 447503 447504 447505 447506 447507 451566 451567 455382 455383 455384 455385 455386 455387 466243
 466244 467078 467079 467080 470020 470021 470022 470023 470024 470025 470569 470570 470571 470572
 470573 475677 476403 481926 488403 488404 488405 488406 488407 488408 488409 488410 488411 488412
 488413 488414 488415 488416 488417 488418 488419 488420 488421 488422 488423 488424 488425 488426
 488427 488428 495358 495359 495360 495361 495362 495363 495364 495365 495366 495367 500815 500816
 500817 500818 500819 500820 500821 500822 500823 500824 500825 500826 510660 510661 510672 510673
 510674 510675 510676 510677 510678 510679 510680 510681 515098 515099 515100 515101 515102 516602
 516603 516604 516605 518225 518226 518227 518228 518229 518230 518231 518232 519629 519630 519631
 519632 519633 519634 519635 519636 519637 519638 519639 519640 519641 519642 519643 519644 519645
 519646 519647 530101 530102 530103 530104 530105 530106 530107 530108 530109 530110 530111 530112
 530113 530114 530115 530116 530117 530118 530119 530120 541766 548322 548323 548324 548325 548326
 548327 548328 549282 550263 553031 553032 553033 553034 553035 553036 553037 553038 553039 553040
 553427 553428 553429 553430 553431 553432 553433 553434 553435 562377 562378 562379 562380 562381
 562382 562383 562384 567690 567691 567692 567693 570606 570607 570608 573451 573452 573453 573454
 573455 573456 573457 573458 573459 573460 573461 573462 580691 580692 580693 580694 580695 580696
 580697 580698 584538 584539 584540 584541 584542 595532 603278 603279 603280 603281 603282 606527
 606528 612776 612777 612778 612779 612780 612781 612782 612783 612784 612785

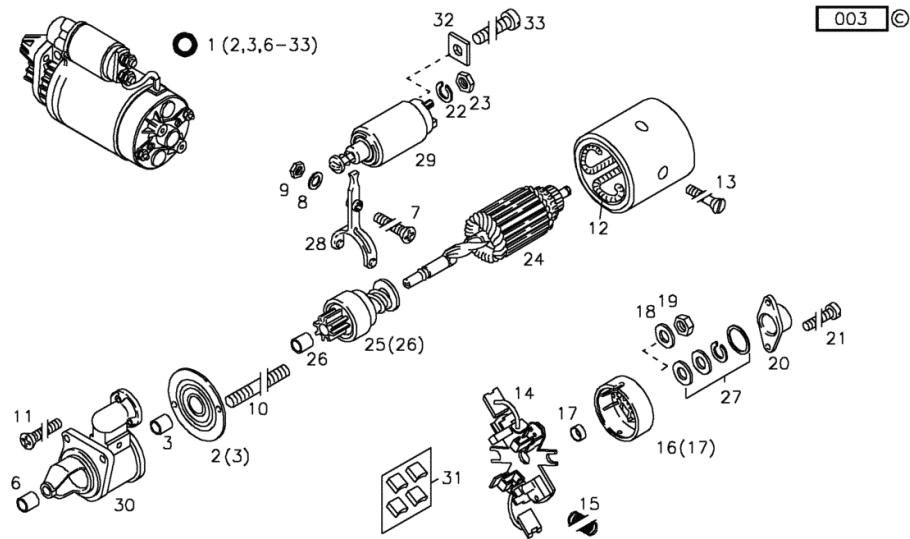
001 ©



1	04253875	1	turbo charger
2	01319240	0	sub-assy parts
3	01319244	0	impeller

Section: ENGINE
STARTER

Fig.	Code	QTY	Name
30	01320303	1	bearing
31	01318435	1	brush set
32	01320794	1	small plate
33	01105501	1	screw m 4 x 6 ISO 001207- M 4 X 6- 4.8- A4C
950	03040717	0	starter H 821970-FB21R12X 3,1KW RECONDITIONED PART - FOR NEW PART SEE POS. (A) COMPLETE WITH POSITION .



Section: ENGINE
CLOSING COMPONENTS

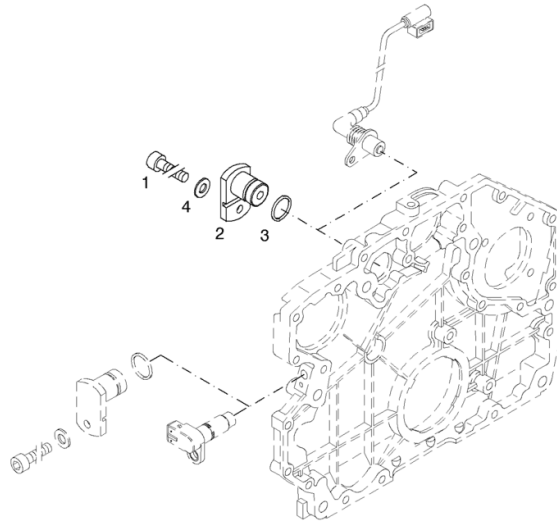
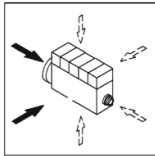
Fig.	Code	QTY	Name
------	------	-----	------

Engine Serial Numbers:

391606 391607 391608 391609 391610 391611 391612 391613 391614 391615 391616 391617 391618 391619
 391620 391621 391622 391623 391624 391625 397101 397102 397103 397104 397105 397106 397107 401191
 401192 401193 401194 401195 401196 408604 408605 408606 408607 408608 408609 408610 408611 408612
 408613 408614 408615 413610 413611 413612 413613 413614 413615 413616 413617 425479 425480 432093
 432094 432095 432096 432097 432098 432099 432100 435813 435814 435815 435816 435817 435818 435819
 435820 438566 438567 438568 438569 438570 438571 438572 438573 438574 438575 438576 438577 438578
 438579 438580 438581 438582 438583 443987 443988 443989 443990 443991 443992 443993 443994 445240
 445241 445242 445243 445244 445245 447494 447495 447496 447497 447498 447499 447500 447501 447502
 447503 447504 447505 447506 447507 451566 451567 455382 455383 455384 455385 455386 455387 466243
 466244 467078 467079 467080 470020 470021 470022 470023 470024 470025 470569 470570 470571 470572
 470573 475677 476403 481926 488403 488404 488405 488406 488407 488408 488409 488410 488411 488412
 488413 488414 488415 488416 488417 488418 488419 488420 488421 488422 488423 488424 488425 488426
 488427 488428 495358 495359 495360 495361 495362 495363 495364 495365 495366 495367 500815 500816
 500817 500818 500819 500820 500821 500822 500823 500824 500825 500826 510660 510661 510672 510673
 510674 510675 510676 510677 510678 510679 510680 510681 515098 515099 515100 515101 515102 516602
 516603 516604 516605 518225 518226 518227 518228 518229 518230 518231 518232 519629 519630 519631
 519632 519633 519634 519635 519636 519637 519638 519639 519640 519641 519642 519643 519644 519645
 519646 519647 530101 530102 530103 530104 530105 530106 530107 530108 530109 530110 530111 530112
 530113 530114 530115 530116 530117 530118 530119 530120 541766 548322 548323 548324 548325 548326
 548327 548328 549282 550263 553031 553032 553033 553034 553035 553036 553037 553038 553039 553040
 553427 553428 553429 553430 553431 553432 553433 553434 553435 562377 562378 562379 562380 562381
 562382 562383 562384 567690 567691 567692 567693 570606 570607 570608 573451 573452 573453 573454
 573455 573456 573457 573458 573459 573460 573461 573462 580691 580692 580693 580694 580695 580696
 580697 580698 584538 584539 584540 584541 584542 595532 603278 603279 603280 603281 603282 606527
 606528 612776 612777 612778 612779 612780 612781 612782 612783 612784 612785

003 ©

1	01177065	1	screw H 002091- 933-M 6 X 16- 8.8-A4C-MK-1D-BL
2	04203060	1	stop
3	01181938	1	'o' ring H 002927- 11,3 X 2 -ACM-1-70 NOW 11,3X2 MM FIRST 10,0X2 MM
4	01151664	1	washer 6.4 DIN 000125- 6,4-200HV-A4C



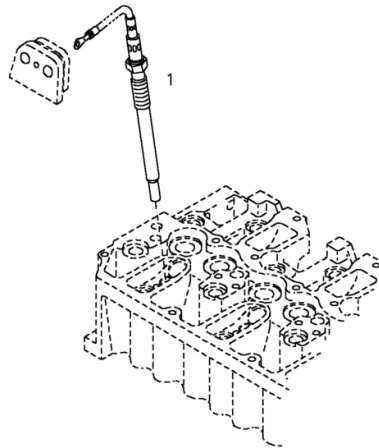
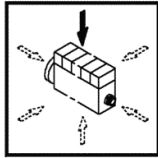
Section: ENGINE
GLOW PLUG

Fig.	Code	QTY	Name
------	------	-----	------

Engine Serial Numbers:

219192 277505 312897 391606 391607 391608 391609 391610 391611 391612 391613 391614 391615 391616
 391617 391618 391619 391620 391621 391622 391623 391624 391625 397101 397102 397103 397104 397105
 397106 397107 401191 401192 401193 401194 401195 401196 408604 408605 408606 408607 408608 408609
 408610 408611 408612 408613 408614 408615 413610 413611 413612 413613 413614 413615 413616 413617
 425479 425480 432093 432094 432095 432096 432097 432098 432099 432100 435813 435814 435815 435816
 435817 435818 435819 435820 438566 438567 438568 438569 438570 438571 438572 438573 438574 438575
 438576 438577 438578 438579 438580 438581 438582 438583 443987 443988 443989 443990 443991 443992
 443993 443994 445240 445241 445242 445243 445244 445245 447494 447495 447496 447497 447498 447499
 447500 447501 447502 447503 447504 447505 447506 447507 451566 451567 455382 455383 455384 455385
 455386 455387 466243 466244 467078 467079 467080 470020 470021 470022 470023 470024 470025 470569
 470570 470571 470572 470573 475677 476403 481926 488403 488404 488405 488406 488407 488408 488409
 488410 488411 488412 488413 488414 488415 488416 488417 488418 488419 488420 488421 488422 488423
 488424 488425 488426 488427 488428 495358 495359 495360 495361 495362 495363 495364 495365 495366
 495367 500815 500816 500817 500818 500819 500820 500821 500822 500823 500824 500825 500826 510660
 510661 510672 510673 510674 510675 510676 510677 510678 510679 510680 510681 515098 515099 515100
 515101 515102 516602 516603 516604 516605 518225 518226 518227 518228 518229 518230 518231 518232
 519629 519630 519631 519632 519633 519634 519635 519636 519637 519638 519639 519640 519641 519642
 519643 519644 519645 519646 519647 530101 530102 530103 530104 530105 530106 530107 530108 530109
 530110 530111 530112 530113 530114 530115 530116 530117 530118 530119 530120 541766 548322 548323
 548324 548325 548326 548327 548328 549282 550263 553031 553032 553033 553034 553035 553036 553037
 553038 553039 553040 553427 553428 553429 553430 553431 553432 553433 553434 553435 562377 562378
 562379 562380 562381 562382 562383 562384 567690 567691 567692 567693 570606 570607 570608 573451
 573452 573453 573454 573455 573456 573457 573458 573459 573460 573461 573462 580691 580692 580693
 580694 580695 580696 580697 580698 584538 584539 584540 584541 584542 595532 603278 603279 603280
 603281 603282 606527 606528 612776 612777 612778 612779 612780 612781 612782 612783 612784 612785

002 ©



1	01180898	1	glow plug H 824606-SR11V LKOE M12X1,25
---	----------	---	---

CONVERSION KIT.....	15.89.9
---------------------	---------

DRIVEN FRONT AXLE



GETR. LENKACHSE
DRIVEN AXLE
ESSIEU DIRECTEUR
EJE MOTRIZ

APL 2025/35/45

2006-28 0504 7020

4.70-6.45 | 6.01

POS.	APL	TYP
10 (LSD 45%) 11 (LSD 100%)	2025	4.70-4.95, 6.01
12 (LSD 45%) 13 (LSD 100%)	2035	6.00-6.05
14 (LSD 45%) 15 (LSD 100%)	2045	6.15-6.45

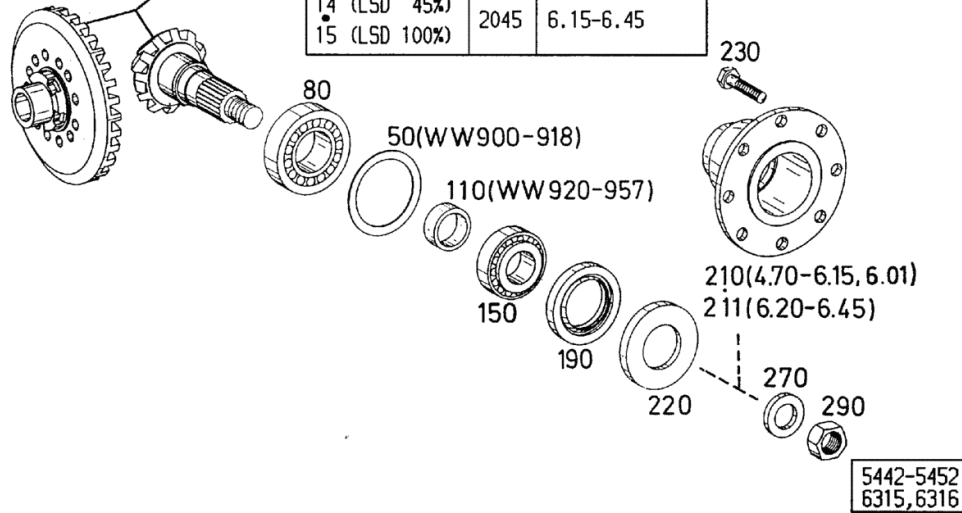


Fig.	Code	QTY	Name
911	04349933	1	S = 1.55 MM washer mm 1.6
912	04349934	1	S = 1.6 MM washer mm 0,9
913	04349935	1	S = 0.9 MM flat washer mm 0,95
914	04415279	1	S = 0.95 MM washer mm 0,65
915	04415280	1	S = 0.65 MM washer mm 0,70
916	04415281	1	S = 0.70 MM washer mm 0,75
917	04415282	1	S = 0.75 MM washer mm 0,85
918	04415283	1	S = 0.85 MM washer mm 0,80
920	04415290	1	S = 0.80 MM ring mm 15.2
921	04415291	1	S = 15.2 MM ring mm 15.3
922	04415292	1	S = 15.3 MM ring mm 15.4
923	04415293	1	S = 15.4 MM ring mm 15.5
924	04415294	1	S = 15.5 MM ring mm 15.6
925	04415295	1	S = 15.6 MM ring mm 15.7
926	04415296	1	S = 15.7 MM ring mm 15.8
927	04415297	1	S = 15.8 MM ring mm 15.9
928	04415298	1	S = 15.9 MM ring mm 16.0
929	04415299	1	S = 16.0 MM ring mm 16.1
930	04415300	1	S = 16.1 MM ring mm 16.2
931	04415301	1	S = 16.2 MM ring mm 16.3
932	04415302	1	S = 16.3 MM ring mm 16.4
933	04415303	1	S = 16.4 MM ring mm 16.26

DRIVEN FRONT AXLE



GETR. LENKACHSE
DRIVEN AXLE
ESSIEU DIRECTEUR
EJE MOTRIZ

APL 2025/35

2006-28 0504 7028

4.70-6.05 | 6.01

280 (4.70-4.95, 6.01) (L) 150
281 (6.00-6.05) (R) 151 (LSD/100%/ASM) 2025
284 (4.70-4.95, 6.01) (R) 152 (LSD/100%/ASM) 2035
285 (6.00-6.05) (L)

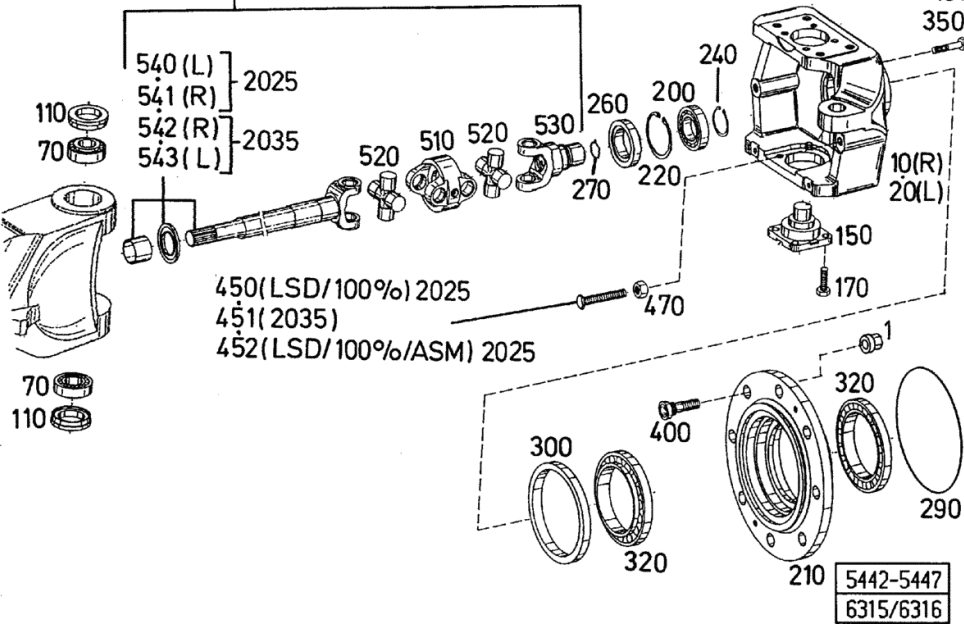


Fig.	Code	QTY	Name
1	01104070	16	nut m 20 p.1.5 DIN 074361-A20 -10-A4C
10	04415062	1	body dx/rh/re
20	04415063	1	body sx/lh/li
70	01175920	4	roller bearing H 004465-KR 30,162X 64,292X21 ,433
	04415091	4	ring
	04415106	2	shim A = 0.2 A = 0.2 MM
	04415107	2	shim A = 0.3 A = 0.3 MM
	04415108	2	shim A = 1.0 A = 1.0 MM
	04415109	2	shim A = 1.6 A = 1.6 MM
	04415110	2	shim A = 2.0 A = 2.0 MM
	04415055	4	pin
	04415092	1	pin
	04415066	1	pin
	01143507	16	screw DIN 000933-M12 X 30 - 10.9-OE LGESCHW
	04415093	2	ball bearing
	04415067	2	hub
	01107852	2	ring DIN 000472- 75X2,5
	01107760	2	circlip 45x1.75 DIN 000471- 45X1,75
	04415094	2	ring
	04415095	2	circlip
	04415096.4	1	half-shaft sx/lh/li
	04415104.4	1	half-shaft dx/rh/re
	04415097.4	1	half-shaft dx/rh/re
	04415105.4	1	half-shaft sx/lh/li
	01166191	2	ring H 002927-200 X 3 -NBR-1-60
	04415098	2	ring
	04415099	4	roller bearing
	04415100	16	screw m 10 p.1.5 x 45
	04423357	16	screw
	04415101	4	screw
	0.010.3421.2	4	screw m 14x1.5

DRIVEN STEERING AXLE - SPRUNG FRONT AXLE



GETR. LENKACHSE
DRIVEN AXLE
ESSEIEU DIRECTEUR
EJE MOTRIZ

GEFEDERTE VORDERACHSE
SUSPENDED FRONT AXLE
SUSPENSION AVANTEUX
SUSPENSION DELANTERA

APL 2035

2006-28 0504 7714

6.00-6.05 6.01

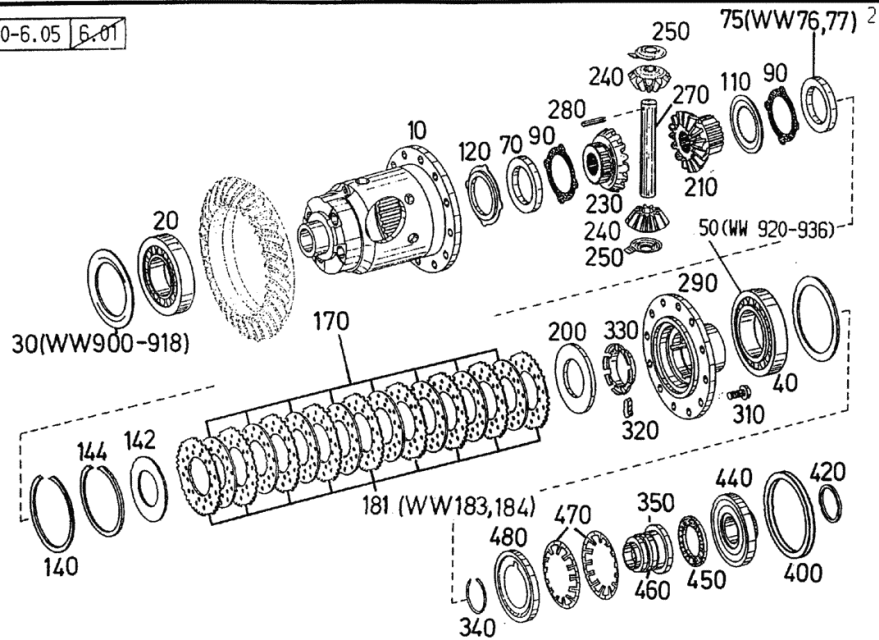


Fig.	Code	QTY	Name
10	04419205	1	differential carrier
20	04415191	1	roller bearing
30	04415287	0	washer mm 1.5 S = 1.50 MM
40	04415174	1	roller bearing
50	04415355	0	washer mm 1.45 S = 1.45 MM
70	04415374	1	shim mm 8.60
75	04415159	0	shim A = 13.7 A = 13.7 MM
76	04415160	0	shim A = 13.6 A = 13.6 MM
77	04415161	0	shim A = 13.5 A = 13.5 MM
90	04415158	2	shim
110	04415377	1	ring
120	04415378	1	pressure plate
140	02352016	1	circlip
142	04415379	1	shim 60x75x2
144	04415380	1	circlip
170	04415381	8	thin plate
181	04415383	0	thin plate mm 1.3 9X S = 1.3 MM
183	04415385	0	thin plate mm 1.5 9X S = 1.5 MM
184	04415386	0	thin plate mm 1.4 9X S = 1.4 MM
200	04415398	2	stop
210	04415397	1	crown wheel Z = 16
230	04415082	1	crown wheel Z = 16
240	04415083	2	planet gear Z = 11
250	04415084	2	shim
270	04415085	1	pin
280	01123859	1	pin ISO 008752- 5 X 55
290	04415387	1	cover
310	04415388	12	screw m 10 p.1.25 x 30
320	04415182	8	lever
330	04415181	1	roller cage
340	04415389	1	circlip
350	01104213	1	pin

AXLE BEARING BLOCK - DRIVEN STEERING AXLE - SPRUNG FRONT AXLE

DEUTZ FAHR	ACHSLAGERBOCK	GETR. LENKACHSE	GEFEDERTE VORDERACHSE	
	AXLE BRACKET	DRIVEN AXLE	SUSPENDED FRONT AXLE	
	BERCEAU D'ESSIEU	ESSIEU DIRECTEUR	SUSPENSION AVANTEUX	
	CABALLETE PARA EJE	EJE MOTRIZ	SUSPENSION DELANTERA	2006-32 0504 7609 7

6.00-6.45 6.01
106-150

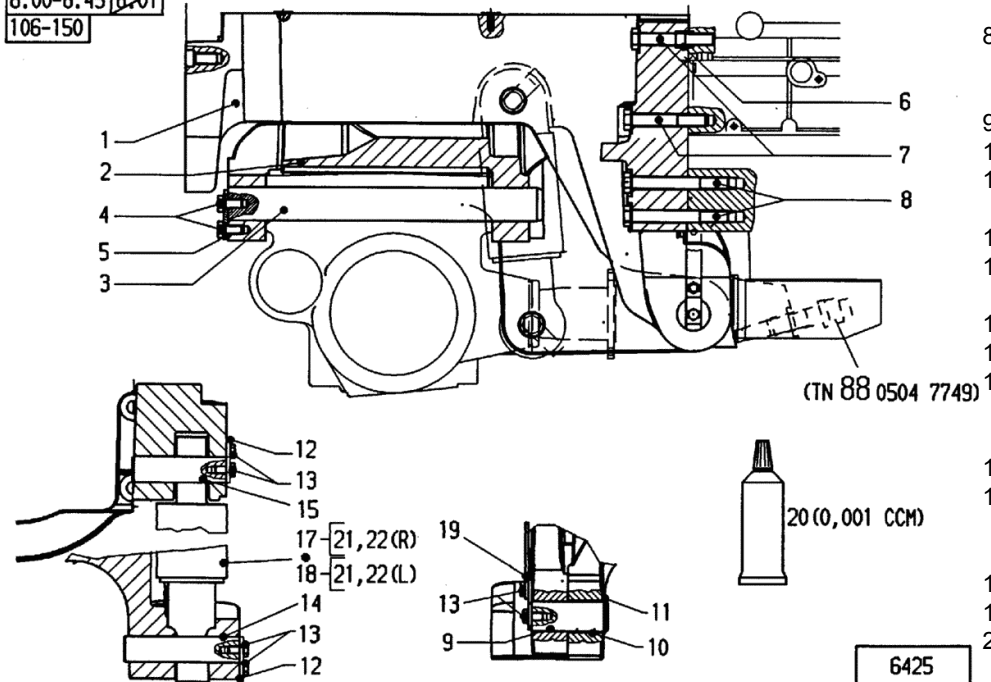
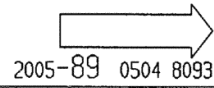


Fig.	Code	QTY	Name
1	04416880	1	support
2	04416882	1	arm
3	04411024	1	pin
4	01112515	2	screw m 12 x 25 DIN 000933-M12 X 25 - 8.8-A4C
5	04411025	1	flange
6	04388695	2	bushing 17x22x23
7	06273759	4	screw m 16 h6 x 100 ISO 004014- M16 X100 - 10.9-A 4C
8	01144479	4	screw m 16 x 120 ISO 004014- M16 X120 - 10.9-A 4C
9	04424154	2	pin
10	04424134	2	bearing 40x44x47
11	01107755	2	ring 40 x 1,75, d471 DIN 000471- 40X1,75
12	04422768	5	flange
13	01112418	12	screw m 10 x 25, d933 DIN 000933-M10 X 25 - 8.8-A4C
14	04419865	2	pin
15	04419866	2	pin
17	04423958.4	1	cylinder dx/rh/re RIGHTS ☞ 04423958.4
17	04423239	1	gasket set
18	04423959.4	1	cylinder sx/lh/li LEFT ☞ 04423959.4
18	04423239	1	gasket set
19	04422860	1	console
20	01016112	1	adhesive H 699 - DEUTZ DW 59 H 000699-DEUTZ DW 59- 50 ML
21	04423235	1	bushing
22	04423236	1	bushing Ø 35

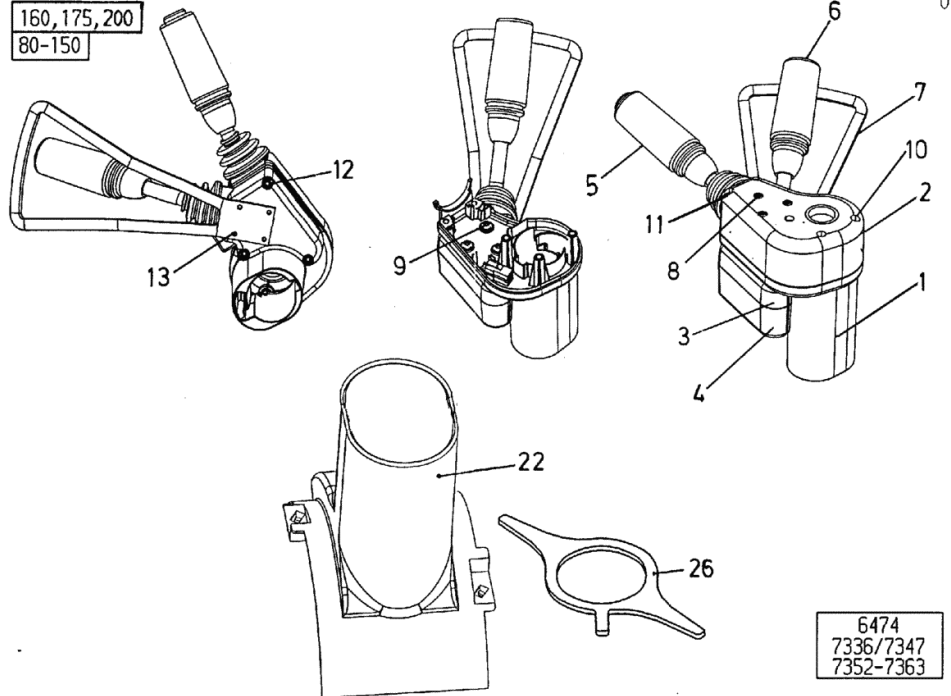
STEERING GEAR TRIM WITH INDICATOR SWITCH



LENKUNGSVERKLEIDG. MIT BLINKERSCHALTER
 STEERING PANEL WITH DIREC. INDIC. SWITCH
 HABILLAGO DIRECTIO AVEC COMMUT. CLIGNOTEURS
 CUBRE-DIRECCION CON COMMUTAD. INTERMIT.



160, 175, 200
 80-150

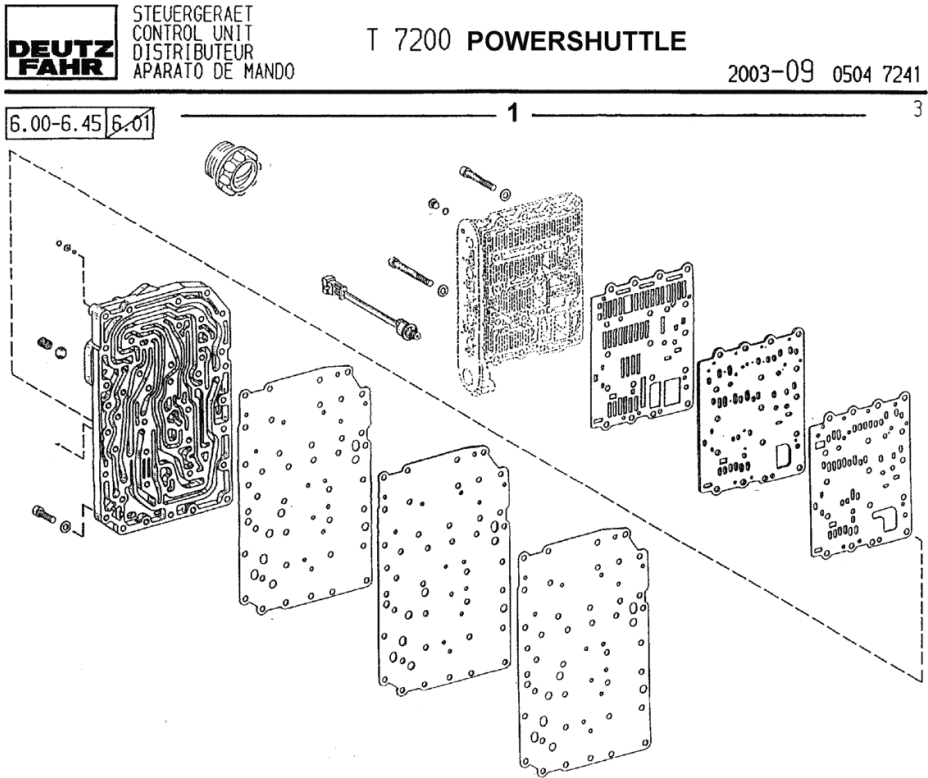


6474
 7336/7347
 7352-7363

Fig.	Code	QTY	Name
1	04427310	1	tube
2	04427311	1	guard
3	04426670	1	guard
4	04426671	1	guard
5	04426571	1	lamp holder
6	04426888	1	lever
7	04426672	1	bracket
8	04412779	3	screw m 5x6.5 DIN 007500-C M 5 X 6,5 - ST - A4R T25
9	04426682	3	screw m 5 x 12 DIN 007500-C M 5 X 12 - ST - A4C T25
10	04426679	3	screw m 5 x 20 DIN 006912-M 5 X 20- 8.8 -A4R
11	04426680	3	screw m 5 x 40 DIN 006912-M 5 X 40- 8.8 -A4R
12	04426681	3	screw m 5 x 45 DIN 006912-M 5 X 45- 8.8 -A4R
13	04329270	4	rivet H 002416-A4 X12 -ST
22	04419461	1	tube
26	04414558	1	spring

CONTROL UNIT - POWERSHUTTLE

Fig.	Code	QTY	Name
1	04436253	1	controle panel



CLUTCH OPERATION - POWERSHIFT

DEUTZ FAHR KUPPLUNGSBETAETIG.
CLUTCH ACTUAT. DEVI
COMMANDE EMBRAYAGE
ACCIONAM. ACOPLAM.

-POWERSHIFT-

2005-03 0504 7295

4.70-6.45,6.01

80-150

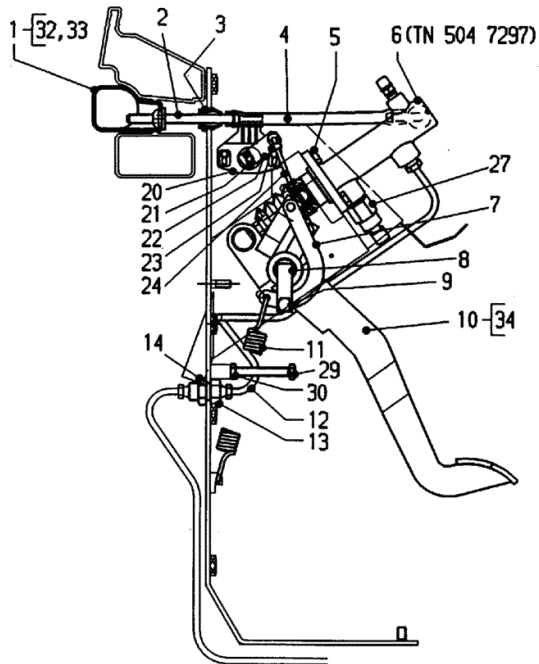


Fig.	Code	QTY	Name
1	04412356.4	1	cup
2	04411838	1	tongue
3	01173336	1	rubber bushing H 002928-N 7-10 CR-SW
4	04414680	1	rubber tube
5	01110577	2	screw m 8 x 25 DIN 000912- M 8 X 25 - 8.8-A4 C
6	05047297	0	cylinder 12.03.5
7	04412852.4	1	lever
8	04411801	1	shaft
9	01171763	1	screw m 8 p.1.25 x 20 H 002094-AM 8X20
10	04411826.4	1	pedal
11	04384847	1	spring
12	04412854	1	piping
13	04427970	1	shim
14	01104589	1	nut m 18 p.1.5 DIN 000936-M18X1,5 -22H-A-A4C
20	04412859	1	position sensor
21	01175743	1	split pin H 002470-A 6X2 -FE/ZN12CC
22	04411837	1	lever
23	04412894	2	interlock
24	04412853	1	rod
27	04416066	1	switch
29	01112372	1	screw ISO 004017-M 8 X 70 - 8.8-A4C
30	01112824	1	nut m 8, d934 ISO 004032-M 8 - 8-A4C
32	04414696	1	cover
33	04414695	2	ring
34	04411802	1	bushing

441 1835

OPERATION - P.T.O. SHAFT - REAR 540/750/1000/1400 RPM

Fig.	Code	QTY	Name
2	04425676	1	rod
3	04418159	2	circlip H 002217-A24-C60/CK67/VTZ45-A 4C
4	04415468	1	stop
5	04415469	1	small spring
6	04439216	1	bracket

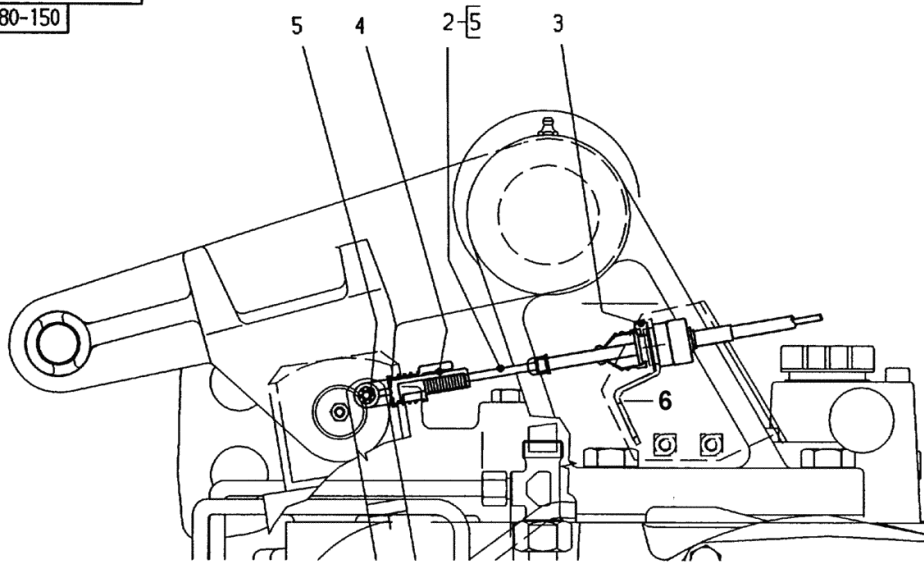


BETAETIGUNG ZAPFWELLE HECK
 CONTROL ASSEMBLY PTO SHAFT REAR
 CDE D'ACTIONNEM. PRISE DE FORCE AR 540/750/1000/1400 U/MIN
 MANO ACCIONAMIENTO EJE TOMAS D.FUERZA ATRAS 2005-04 0504 7117

4.70-6.45,6.01

80-150

4



5522-5526
7263-7287

LUBRICATING OIL SUPPLY S = SYNCHROSPLIT - L = POWERSHIFT

Fig.	Code	QTY	Name
60	01180530	1	ring H 002927- 15 X 2 -NBR-1-70
70	04415922	1	tube
80	01118741	2	'o' ring DIN 007603-A 22 X 27 -ST
90	04415923	1	pipe union 18 DIN 7643
100	04415924	1	tube
110	01118700	2	'o' ring Ø 16 x 20 DIN 007603-A 16 X 20 -CU
120	01144865	1	screw DIN 007643- 12
999	04417837	0	sub-assy parts



SCHMIEROELVERSORG.
LUBRIC. OIL SUPPLY
CIRCUIT DE GRAISSAGE
ABAST. ACEITE LUBR.

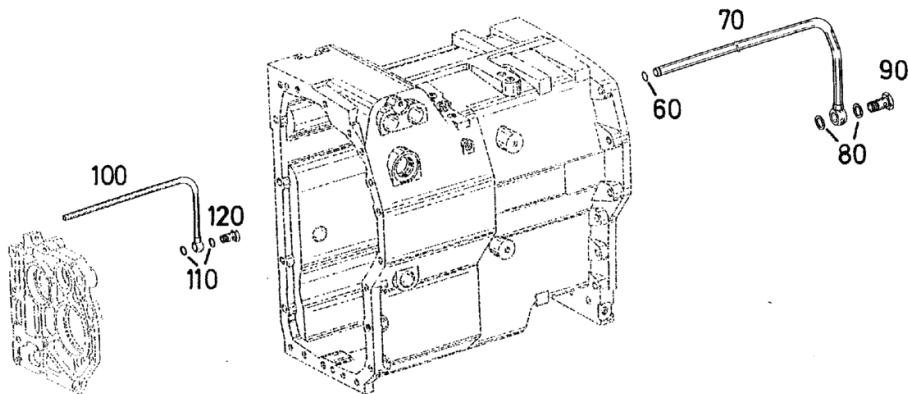
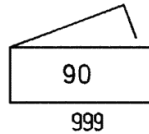
T 7200 (S=SYNCHROSPLIT)
(L=POWERSHIFT)

2003-07 0504 7223

6.00-6.45 | 6.01

S =-[60-120, (6.00-6.20)

L =-[60-90, (6.00-6.45)



Section: GEARBOX, CLUTCH
CONTROL UNIT - POWERSHIFT

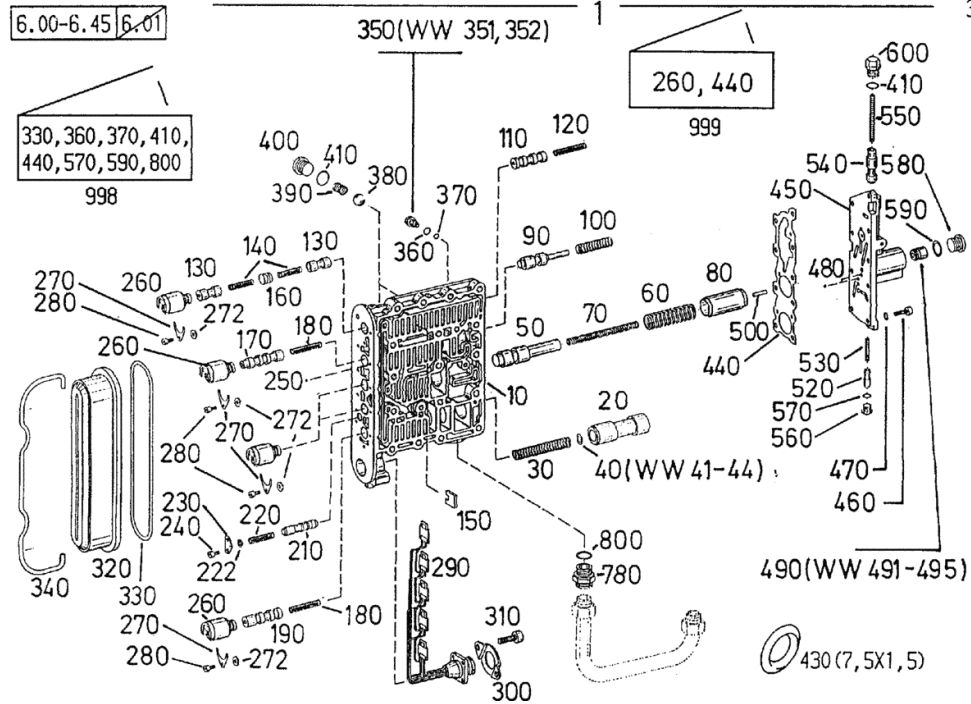
Fig.	Code	QTY	Name
540	04416844	1	piston
550	04416845	1	spring
560	01110422	1	screw DIN 000908-M12X1,5-ST
570	04415796	1	'o' ring 9.5x2
580	06208701	1	screw DIN 000908-M20X1,5-ST-ZNPHRF
590	01173434	1	ring 17x2 H 002927- 17 X 2 -NBR-1-70
600	04416852	1	screw
610	02968175	1	'o' ring 15x2
780	04416944	1	tongue
800	01174873	1	'o' ring H 002927- 27 X 2,5 -NBR-1-70
998	04418575.4	0	gasket set
999	04417837	0	sub-assy parts



STEUERGERAET
 CONTROL UNIT
 DISTRIBUTEUR
 APARATO DE MANDO

T 7200 (POWERSHIFT)

2003-09 0504 7240



Section: GEARBOX, CLUTCH
DRIVE SHAFT - POWERSHIFT

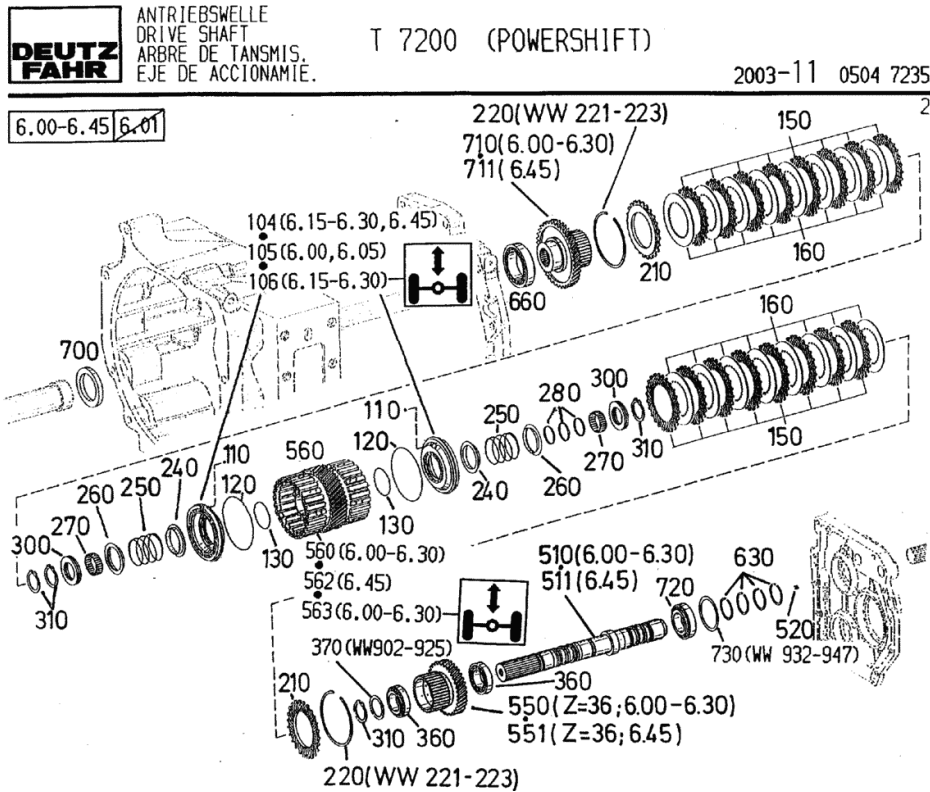


Fig.	Code	QTY	Name
903	04417018	0	S = 1.25 MM washer mm 1.30
904	04417019	0	S = 1.3 MM washer mm 1.35
905	04417020	0	S = 1.35 MM washer mm 1.4
906	04417021	0	S = 1.4 MM washer mm 1.45
907	04416969	0	S = 1.45 MM ring mm 1.5
908	04417023	0	S = 1.5 MM washer mm 1.55
909	04417024	0	S = 1.55 MM washer mm 1.60
910	04417025	0	S = 1.6 MM washer mm 1.65
911	04417026	0	S = 1.65 MM washer mm 1.7
912	04417027	0	S = 1.7 MM washer mm 1.75
913	04417028	0	S = 1.75 MM washer mm 1.80
914	04417029	0	S = 1.8 MM shim mm 1.225
915	04417030	0	S = 1.225 MM shim mm 1.275
916	04417031	0	S = 1.275 MM shim mm 1.325
917	04417032	0	S = 1.325 MM shim mm 1.375
918	04417033	0	S = 1.375 MM shim mm 1.425
919	04417034	0	S = 1.425 MM shim mm 1.475
920	04417035	0	S = 1.475 MM shim mm 1.525
921	04417036	0	S = 1.525 MM shim mm 1.575
922	04417037	0	S = 1.575 MM shim mm 1.625
923	04417038	0	S = 1.625 MM shim mm 1.675
924	04417039	0	S = 1.675 MM shim mm 1.725

Section: GEARBOX, CLUTCH
GEARSHIFT - POWERSHIFT

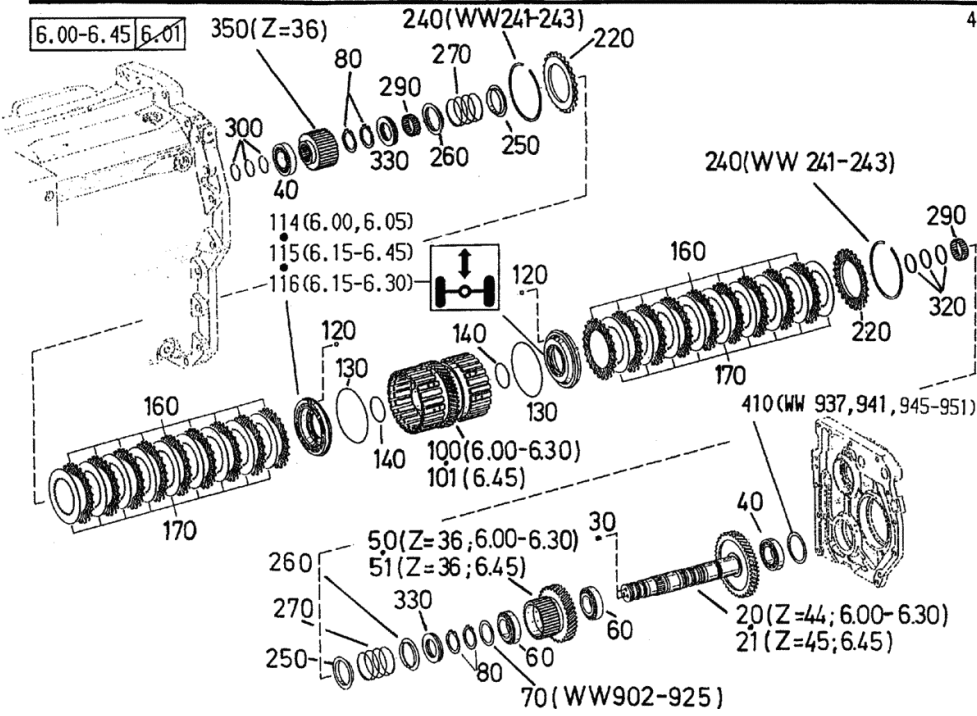
Fig.	Code	QTY	Name
20	04416946	1	shaft
21	04417235	1	shaft z = 45
30	04416947	2	grain m 8x8
40	04415988	2	bearing
50	04423347	1	gear
51	04427567	1	gear Z = 32 / Z = 36
60	04416950	2	bearing
70	04417016	0	washer mm 1.2 S = 1.20 MM
80	04416951	4	circlip
100	04416952	1	spring holder
101	04417237	1	spring holder Z = 43
114	04423360	1	piston
115	04416784	2	piston
116	04423307	2	piston
120	04416756	2	ball
130	04419762	2	'o' ring 104x3
140	04419763	2	'o' ring 50x3
160	04416760	18	clutch disc AV 35
170	04416967	18	clutch disc
220	04416763	2	disc
240	04416765	0	circlip A = 2.0 S = 2.0 MM
241	04416766	0	circlip A = 2.5 S = 2.5 MM
242	04416767	0	circlip A = 3.0 S = 3.0 MM
243	04416768	0	circlip A = 3.5 S = 3.5 MM
250	04416758	2	ring
260	04416954	2	ring
270	04416759	2	spring
290	04416955	2	roller cage
300	04415761	3	ring 35x2
320	04416956	3	ring 38/35.2x2
330	04416957	2	bearing
350	04416958	1	plate carrier Z = 36
410	04417043	0	washer mm 2.00 S = 2.00 MM
902	04417017	0	washer mm 1.25 S = 1.25 MM
903	04417018	0	washer mm 1.30 S = 1.30 MM
904	04417019	0	washer mm 1.35



SCHALTGETRIEBE
 TRANSMISSION
 BOITE VITESSES
 CAMBIO VELOCIDADES

T 7200 (POWERSHIFT)

2003-11 0504 7237



REMOTE CONTROL - SYNCROSPLIT



FERNSCHALTUNG
REMOTE SWITCH
COMMANDE A DIST.
MANDO A DISTANCIA

T 7200 (S=SYNCHROSPLIT)

2003-12 0504 7245

6.00-6.20

6-01

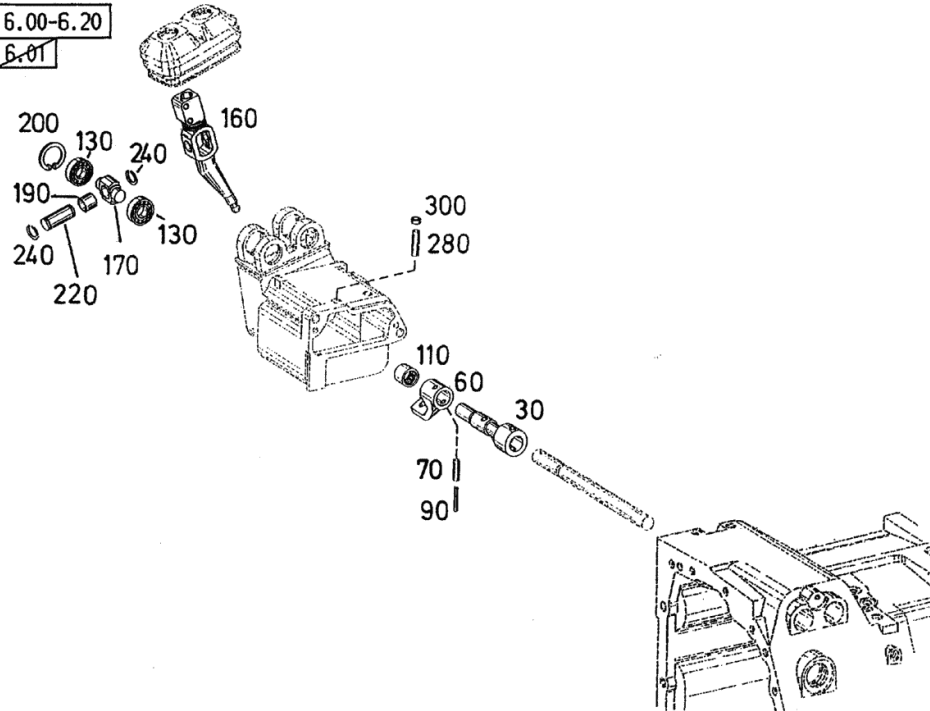
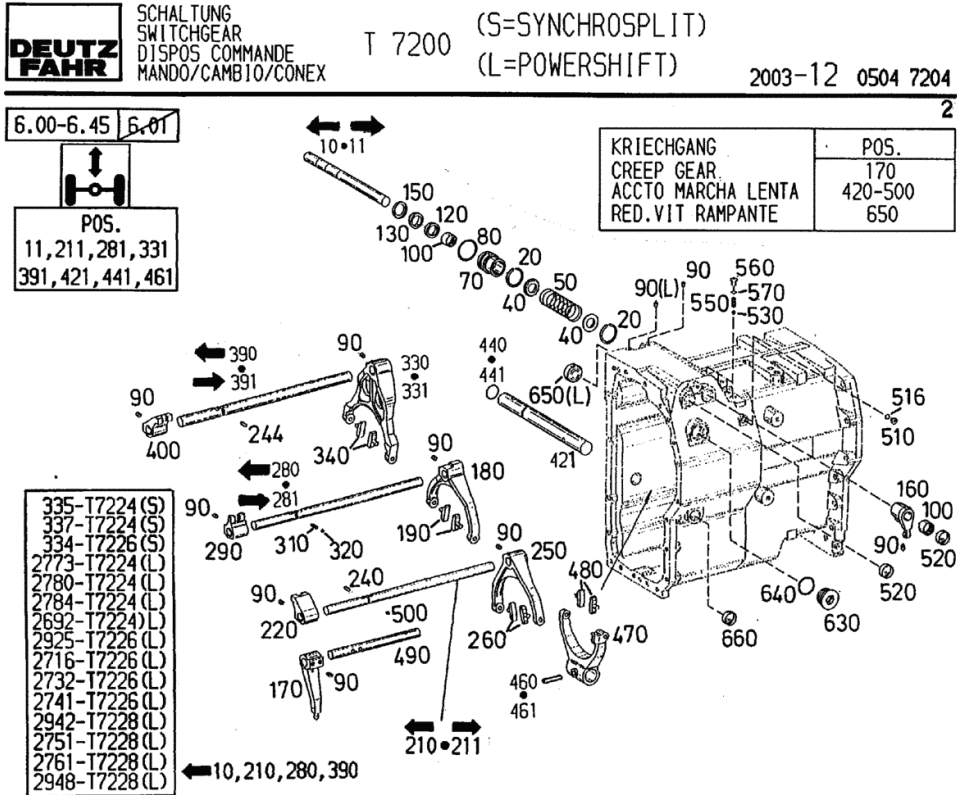


Fig.	Code	QTY	Name
30	04416053	2	shaft
60	04416055	1	arm
70	01115489	2	pin ISO 008752-10 X 36
90	01115458	2	pin 6 x 40, d1481 ISO 008752- 6 X 40
110	04416438	2	pin
130	04416057	4	bearing 20x42x12
160	04423299	1	gear lever FROM FIRST REPLACEMENT UNTIL CHASSIS-AXLE-GEARBOX- SUPPLY WITH NO.ITEM.. 1X 04423361
170	04416060	2	universal joint
190	04416061	2	bearing
200	01107830	2	circlip DIN 000472- 42X1,75
220	04416062	2	pin
240	04416063	4	circlip SW 20
280	01101626	2	pin ISO 008752-12 X 40
300	01152706	2	cover DIN 000443- 16-PHR

GEAR SHIFTING S = SYNCHROSPLIT - L = POWERSHIFT

Fig.	Code	QTY	Name
510	01110433	1	screw DIN 000910- M10X1 -ST-ZNPHRF
516	04415683	1	'o' ring 8x1.5
520	01124656	1	cover DIN 000443- 32
530	04309268	4	ball
550	01272556	4	spring
560	01110422	4	screw DIN 000908-M12X1,5-ST
570	04415796	4	'o' ring 9.5x2
630	01110429	1	screw DIN-m 14x12-45h DIN 000908-M42X1,5-ST
640	02315144	1	'o' ring 38x2.5 H 002927- 38 X 2,5 -NBR-1-70
650	01210751	1	cover
660	01139622	1	cover 25 d443 DIN 000443- 25-A4C



FRONT-WHEEL DRIVE S = SYNCHROPLIT - L = POWERSHIFT



VORDERRADANTRIEB
FRONT WHEEL DRIVE
CDE ROUES AV
TRACCIÓN DELANTERA

T 7200 (S=SYNCHROPLIT)
(L=POWERSHIFT)

2003-26 0504 7224

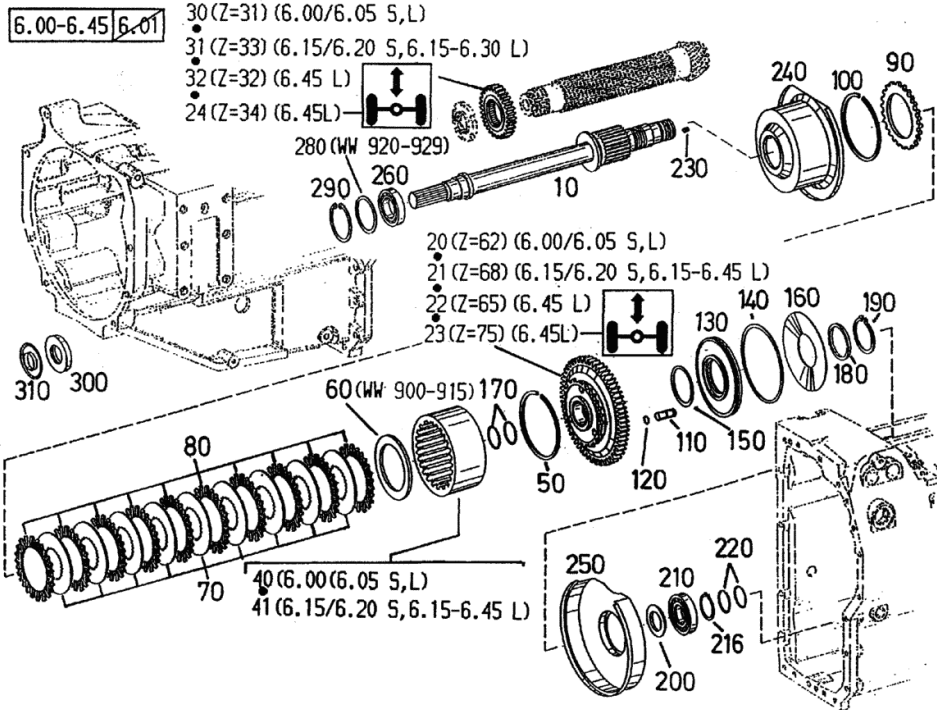


Fig.	Code	QTY	Name
10	04415926	1	shaft
20	04418574	1	gear
21	04416806	1	gear
22	04416808	1	bearing
23	04438445	1	gear
24	04423261	1	gear Z = 34
30	04427620	1	gear
31	04427618	1	gear
32	04427619	1	gear
40	04415927	1	plate carrier
41	04416804	1	support z = 27
50	04415928	1	ring
60	04416588	0	shim mm 5.5 S = 5.5 MM
70	04415930	8	disc
80	04416412	9	disc
90	04415932	1	disc
100	04415933	1	circlip mm 2.5
110	04415934	3	bolt
120	01153907	3	ring H 002927- 12 X 2,5 -NBR-1-70
130	04427572	1	piston
140	04415936	1	ring
150	04415937	1	ring
160	04415938	1	spring
170	04415939	2	ring 45x2
180	04415940	1	washer
190	01107777	1	ring DIN 000471- 68X2,5
200	04415941	1	washer
210	04415942	1	bearing
216	01137321	1	ring 40 x 2.5, d471 DIN 000471- 40X2,5
220	04415943	2	ring
230	04415944	1	screw m 6 x 8
240	04415945	1	lamination
250	04415946	1	lamination
260	04415947	1	bearing
280	04417009	0	washer mm 2.20 S = 2.2 MM
290	04415949	1	circlip 75x3
300	04415950	1	'o' ring
310	04415951	1	lamination
900	04416589	0	shim mm 5.7

Section: GEARBOX, CLUTCH
P.T.O. SHAFT

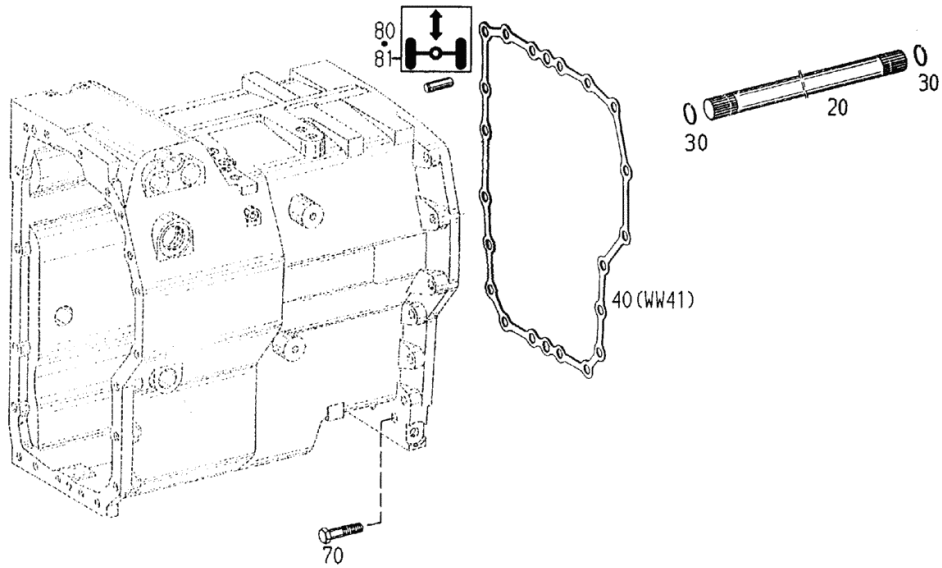
DEUTZ FAHR ZAPFWELLE
 PTO SHAFT
 PRISE DE FORCE
 EJE TOMAS D. FUERZA

T 7200

2003-77 0504 7261

6.00-6.45 6.01

Fig.	Code	QTY	Name
20	04416068	1	shaft
30	01104772	2	circlip DIN 007993-A 30
40	04416069	0	gasket mm 0.25 S = 0.25 MM
41	04416996	0	gasket mm 0.20 S = 0.2 MM
70	01100120	20	screw DIN 000931- M14 X 60 - 10.9-A 4C
80	04416071	2	pin
81	04423366	2	pin 16x36



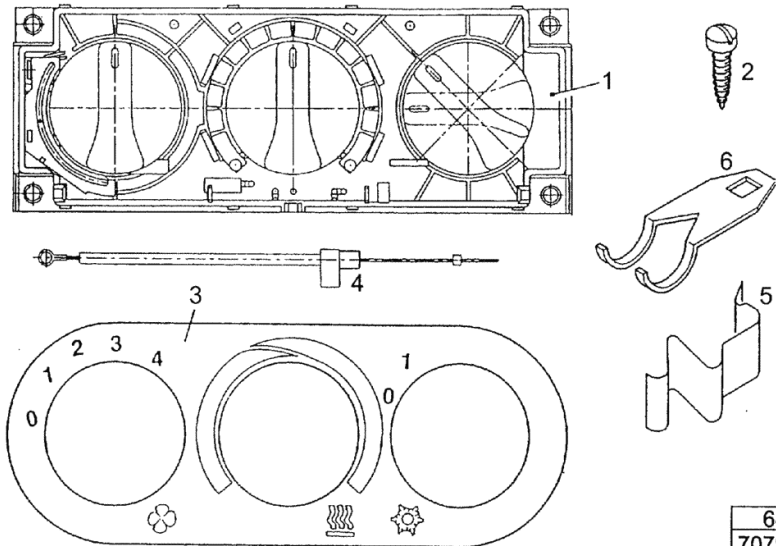
OPERATION - AIR CONDITIONING UNIT

Fig.	Code	QTY	Name
1	04431305	1	operation
2	04412976	3	screw 4.8x19 DIN 007981-ST4,8X19 -C-H-A4C TORX T25
3	04418180	1	plate
4	04411421	1	rod
5	04412982	1	stop
	04422633	1	spring

DEUTZ FAHR BETAETIGUNG KLIMAANLAGE
CONTROL ASSEMBLY AIR CONDIT. PLANT
CDE D'ACTIONNEM. INST. CONDIT. D'AIR
MANO ACCIONAMIENTO INST. ACONDIC. AIRE

2005-85 0504 74646

4.70-6.45, 6.01	805-1,5,6 (4.70-6.45,6.01)	5
80-150	80-150	
160-200		
230, 260		



6472
7079-7083
7353-7257
442 3685
442 6805

COMPRESSOR - AIR CONDITIONING UNIT

Fig.	Code	QTY	Name
1	01133514	2	clamp Ø 20/32 DIN 003017AL 20- 32 -W1
2	04413692	1	pipng
3	04413693	1	pipng
4	04436600	1	accessories
4	04437338	0	(...) <- gear compressor R 134a >- (...)
5	01180530	1	ring H 002927- 15 X 2 -NBR-1-70
6	04423185	1	pressure switch
7	05047475	0	cabl harness H 18.49.59
8	01124804	1	screw DIN 000931- M10 X170 - 8.8-A- A4C
9	04419557	3	'o' ring
10	04425154	1	pipng
13	04425161	1	pipe fitting
17	01112445	2	screw m10x40 d933 DIN 000933-M10 X 40 - 8.8-OEL GESCHW.
18	01178214	2	terminal H 003270-ZKH-2-18X18-PA
19	01112356	2	screw m 8 x 40 ISO 004017-M 8 X 40 - 8.8-A4C
20	01112299	2	screw m 8 x 12, d933 ISO 004017-M 8 X 12 - 8.8-A4C
21	04412995	1	small plate
22	04412996	1	spacer
23	04418095	1	bracket
24	01138374	1	washer 8,4x21x4 DIN 007349- 8,4-ST-A4C
25	01179567	1	screw H 002008-F-M 8 X 25- 10.9-GES BLACK
26	04412978.4	1	consolle
28	01176435	8	clamp H 007672-P 160X 4,8
29	01180517	1	belt AV 13x1525 mm H 003710-AVX 13X1525LA-WA
31	01143581	1	screw DIN 000933-M 6 X 35Z1-FST-10.

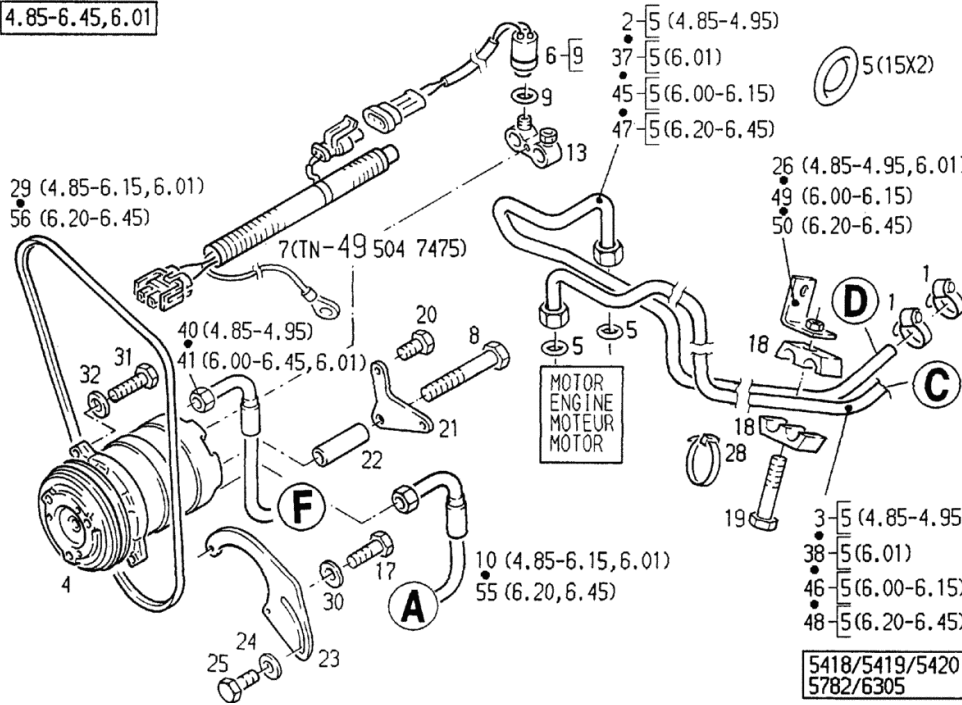


KOMPRESSOR
COMPRESSOR
COMPRESSEUR
COMPRESOR

KLIMAANLGE
AIR CONDIT. PLANT
INST. CONDIT. D'AIR
INST. ACONDIC. AIRE

2005-85 0504 7563

4.85-6.45,6.01



RETROFIT KIT - AIR CONDITIONING UNIT

DEUTZ FAHR NACHRUESTSATZ KLIMAANLAGE
 OPTIONAL EXTRAS AIR CONDIT. PLANT
 EQUIP ULTERIEUR INST. CONDIT. D'AIR
 JUEGO COMPLEMENT. INST. ACONDIC. AIRE

2005-85 0504 7694

4.70-6.45,6.01
 160,175,200
 80-150

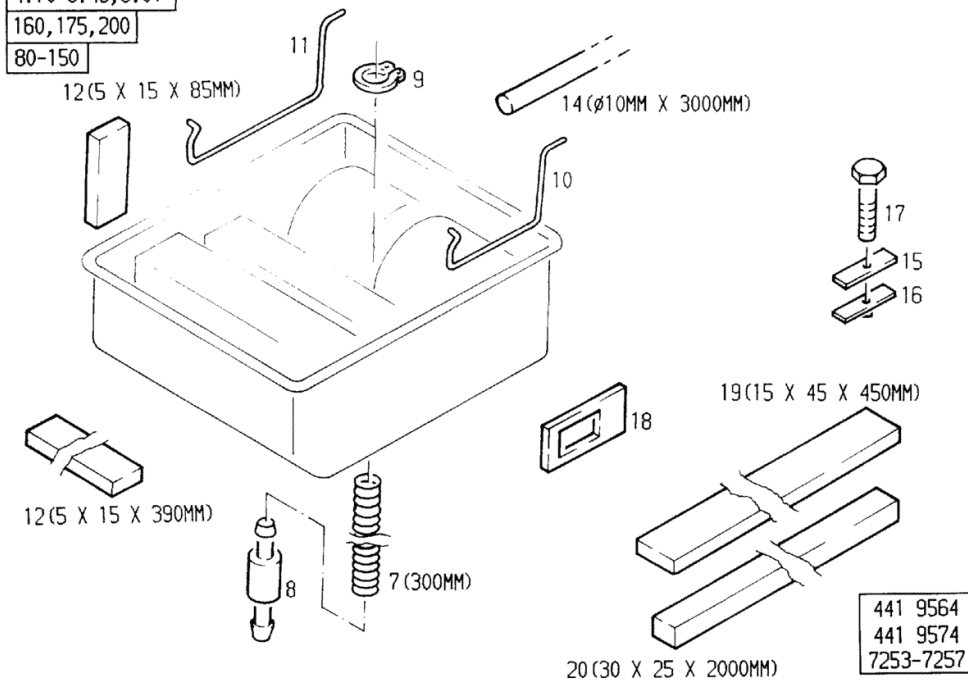


Fig.	Code	QTY	Name
7	04425206	2	tube 300 MM
8	04422829	2	tube
9	01107721	2	circlip DIN 000471- 14X1
10	04422832	1	bracket
11	04422833	1	bracket
12	01393156	0	gasket H 842081-A 5X 15 -PUR-1-GR-GI T
13	01393156	2	gasket H 842081-A 5X 15 -PUR-1-GR-GI T
14	04419103	1	band
15	04422836	2	rotor blade
16	04422837	2	rotor blade
17	01112271	2	screw ISO 004017-M 6 X 30 - 8.8-GES BLACK
18	04422830	1	tube
19	04422831	1	gasket
20	01388725	1	gasket H 842081-A30X 25 -PUR-1-GR-GI T

441 9564
 441 9574
 7253-7257

Section: HITCH
PICK-UP-HITCH

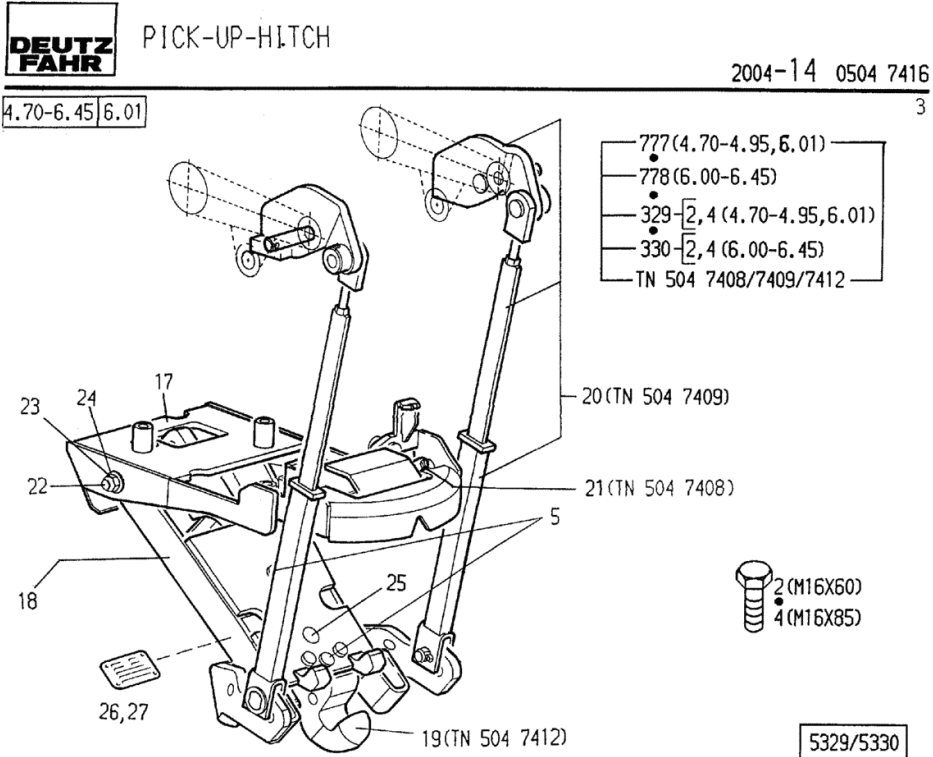


Fig.	Code	QTY	Name
2	01139416	4	screw m 16 x 60 ISO 004017-M16 X 60 - 10.9-A4 C
4	01144585	2	screw ISO 004014- M16 X 85 - 10.9-O ELGESCHW
5	04418545	2	shoch.absorber
17	04418560	1	valve
18	04418578	1	rail
19	05047412	0	draw bar ☞ 1A.14.7
20	05047409	0	rod ☞ 1A.14.8
21	05047408	0	small block ☞ 1A.14.9
22	04418541	2	pin
23	04418549	2	nut
24	04418546	2	washer
25	04418547	1	rubber buffer
26	04418548	1	plate
27	04418565	4	none
329	03605329	1	pick-up RETROFIT ASSEMBLY
330	03605330	1	pick-up RETROFIT ASSEMBLY
777	04411777	1	pick-up RETROFIT ASSEMBLY
778	04411778	1	pick-up RETROFIT ASSEMBLY

Section: HITCH

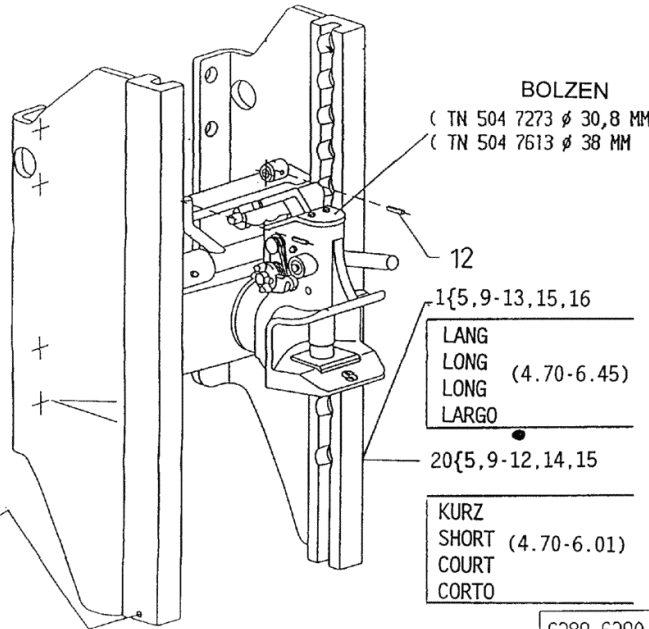
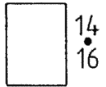
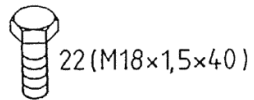
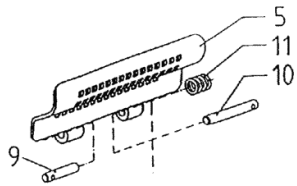
TRAILER STAND - DRAWBAR COUPLING AUTOM.

DEUTZ FAHR ANHAENGEBOCK ANHAENGEKUPPLUNG AUTOM.
 HITCH SUPPORT TRAILER HITCH
 CHEVALET REMORQUE CHAPE D' ATTELAGE
 CABALLETE REMOLQUE ACOPLAM. DE ENGANCH

2004-62 0504 7272

4.70-6.45

6.01



BOLZEN
 (TN 504 7273 ø 30,8 MM 14
 (TN 504 7613 ø 38 MM 15

1{5, 9-13, 15, 16
 LANG
 LONG (4.70-6.45)
 LONG
 LARGO

20{5, 9-12, 14, 15
KURZ
 SHORT (4.70-6.01)
 COURT
 CORTO

6289, 6290
 6513, 6514

Fig.	Code	QTY	Name
1	04424302.4	1	pipng ☞ 04424302.4
2	05047273	0	tow hook ☞ 1A.62.5
5	04417897	1	cover
9	04417896	1	pin
10	04417895	1	pin
11	04417930	1	spring
12	01115452	2	pin 6x24 d1481 ISO 008752- 6 X 24
13	01144557	2	screw DIN 000912- M10 X 16 - 8.8 OE LGESCHW
14	04419115	1	plate
15	01115309	2	none ISO 008746- 3 X 8-ST
16	04418439	1	plate
20	04424303.4	1	chassis frame ☞ 04424303.4
22	01144803	8	screw m 18 p.1.5x40 ISO 008676-M18X1,5 X 40 - 10. 9 ZNPHRF

Section: HITCH

DRAWBAR COUPLING AUTOM.



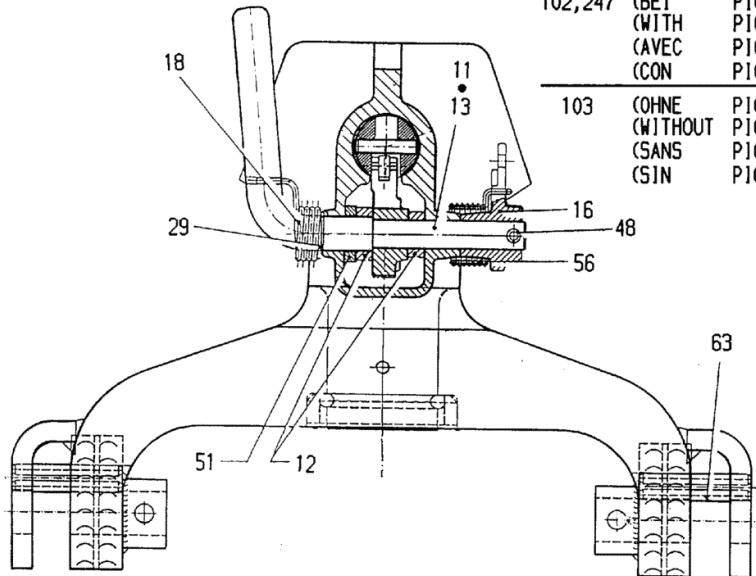
ANHAENGEKUPPLUNG
TRAILER HITCH
CHAPE D' ATTELAGE
ACOPLAM. DE ENGANCH

AUTOM.

2004-62 0504 7406 48

4.70-6.45,6.01

101,790	(OHNE PICK-UP-HITCH) (WITHOUT PICK-UP-HITCH) (SANS PICK-UP-HITCH) (SIN PICK-UP-HITCH)	BOLZEN Ø30,8MM	51
			56
			63
102,247	(BEI PICK-UP-HITCH) (WITH PICK-UP-HITCH) (AVEC PICK-UP-HITCH) (CON PICK-UP-HITCH)	BOLZEN Ø30,8MM	101
			102
			103
103	(OHNE PICK-UP-HITCH) (WITHOUT PICK-UP-HITCH) (SANS PICK-UP-HITCH) (SIN PICK-UP-HITCH)	BOLZEN Ø38MM	247
			790



5790/6247
6285/6287/6512

Fig.	Code	QTY	Name
11	04417903	1	lever
12	04417904	1	spacer
13	04417124	1	knob
16	04417908	1	lever
18	04417909	1	spring
29	01107730	1	ring 20 x 1.2, d471 DIN 000471- 20X1,2
	01144806	1	pin ISO 008750- 8 X 32-ST-A4C
		2	pin ISO 008752-16 X 60
		1	tow hook
		1	tow hook
		1	tow hook
		1	tow hook
		1	tow hook
		1	RETROFIT ASSEMBLY
		1	tow hook
		1	RETROFIT ASSEMBLY

Toolbar/three-point hitch

TRACTOR LINKAGE DRAWBAR..... 14.12.1

Hydr. cyl. power lift, Hydr. cylinder/lifting device, Hydr. cylinder front power lift

LIFTING CYLINDER Ø MM 80..... 14.30.1

LIFTING CYLINDER Ø MM 100..... 14.30.2

HYDRAULIC CYLINDER..... 14.30.3

HYDRAULIC CYLINDER..... 14.30.4

Control unit, DEUTZ

CONTROL BLOCK FOR POSITIONS 1+2+3+4 - SPRUNG FRONT AXLE..... 14.40.1

CONTROL BLOCK FOR POSITIONS 1+2+3+4 - SPRUNG FRONT AXLE..... 14.40.2

CONNECTING PLATE FOR POSITION 1+2+3+4..... 14.40.3

ADDITIONAL CONTROL UNIT FOR POSITIONS 1+2+3+4..... 14.40.4

CONTROL DEVICE FOR POSITIONS 1+2+3+4..... 14.40.5

CONTROL DEVICE FOR POSITIONS 1+2+3+4 - LOAD SENSING..... 14.40.6

END PLATE FOR POSITION 1+2+3+4..... 14.40.7

END PLATE FOR POSITION 1+2+3+4..... 14.40.8

CONNECTING PLATE FOR POSITION 1+2+3+4..... 14.40.9

Cylinder equip.

CYLINDER EQUIPMENT..... 14.81.1

DEUTZ control unit comb., Assy.hydr.control, Remote connections

OPERATION - HYDR. CONTROLLER FOR POSITION 1+2+3+4..... 14.88.1

OPERATION - HYDR. CONTROLLER FOR POSITION 1+2 CROSS LEVER..... 14.88.2

OPERATION - HYDR. CONTROLLER FOR POSITION 1+2 CROSS LEVER..... 14.88.3

OPERATION - HYDR. CONTROLLER FOR POSITION 3+4 CROSS LEVER..... 14.88.4

HYDR. CONTROL FOR POSITIONS 1+2+3+4..... 14.88.5

HYDR. CONTROL FOR POSITIONS 1+2+3+4..... 14.88.6

HYDR. CONTROL FOR POSITIONS 1+2..... 14.88.7

HYDR. CONTROL FOR POSITIONS 3+4..... 14.88.8

HYDR. CONTROL FOR POSITIONS 3+4..... 14.88.9

HYDR. CONTROL FOR POSITIONS 1+2+3+4..... 14.88.10

HYDR. CONTROL FOR POSITIONS 1+2+3+4..... 14.88.11

RETROFIT KIT - PRESSURE REDUCTION..... 14.88.12

HYDR. CONTROL OIL - DRIP TRAY..... 14.88.13

HYDRAULIC CONTROL UNIT FOR POSITIONS 1+2+3+4 - SPRUNG FRONT AXLE..... 14.88.14

HYDRAULIC CONTROL UNIT FOR POSITIONS 3+4 - SPRUNG FRONT AXLE..... 14.88.17

HYDRAULIC CONTROL UNIT FOR POSITIONS 3+4 - SPRUNG FRONT AXLE..... 14.88.18

HYDRAULIC CONTROL UNIT FOR POSITIONS 1+2+3+4 - SPRUNG FRONT AXLE..... 14.88.19

HYDRAULIC CONTROL UNIT FOR POSITIONS 1+2+3+4 - SPRUNG FRONT AXLE..... 14.88.20

HYDRAULIC CONTROL UNIT - SPRUNG FRONT AXLE..... 14.88.23

HYDRAULIC CONTROL UNIT - SPRUNG FRONT AXLE..... 14.88.24

HYDRAULIC CONTROL UNIT - SPRUNG FRONT AXLE..... 14.88.25

PARTS SET - HYDR. SPRINGING - DRIVEN STEERING AXLE..... 14.88.26

PARTS SET - HYDR. SPRINGING - DRIVEN STEERING AXLE..... 14.88.27

REMOTE-CONNECTION WITHOUT DETACHING COUPLING..... 14.88.28

Section: HYDRAULIC SYSTEM
OIL SUPPLY 32 CCM/H

Fig.	Code	QTY	Name
1	01180563	4	tongue m 42x2 H 003132-EM42X2,0X35-FPM -A4C
2	04412222	1	lamination
3	04411048	1	support
4	04411047	1	filter
5	04412248	1	lamination
6	05047287	0	pump 14.01.2
	01177450	1	pipe fitting m 22 p.1.5x18 H 003132-EM22X1,5X18-FPM -A4C

DEUTZ FAHR OELVERSORGUNG
 OIL SUPPLY
 ALIMENTATION HUILE
 ALIMENTAC. ACEITE

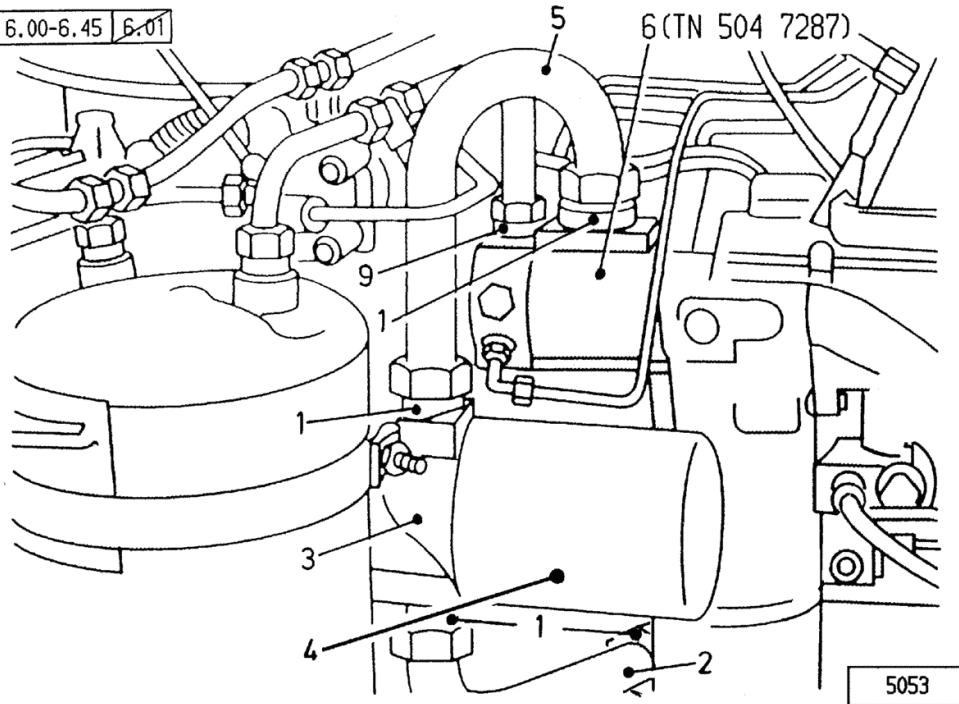
32 CCM

2004-01 0504 7380

6.00-6.45 6-01

6 (TN 504 7287)

19



Section: HYDRAULIC SYSTEM
HOSE PIPE FRONT POWER LIFT

Fig.	Code	QTY	Name
4	04414126	1	tube
5	04414129	1	pipng

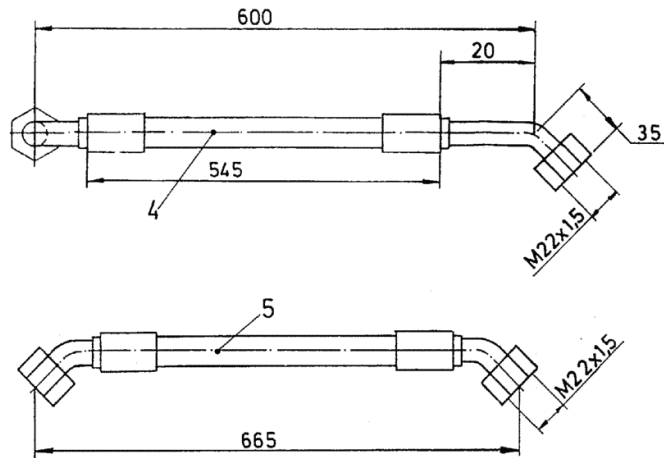


SCHLAUCHLEITUNG
 HOSE ASSEMBLY
 CONDUITE FLEXIBLE
 MANGUERA

FRONTKRAFTHEBER
 FRONT LIFT
 RELEVAGE FRONTAL
 ELEVADOR DELANTERO

2007-09 0504 7584

4.70-6.45 6.01



5774-5776

Section: HYDRAULIC SYSTEM
STABILIZATION MECH.

**DEUTZ
FAHR**

STABILISIERUNG
 STABILIZATION
 STABILISATION
 ESTABILIZACION

MECH.
 MECH.
 MEC.
 MEC.

2004-11 0504 7167

4.70-6.45,6.01

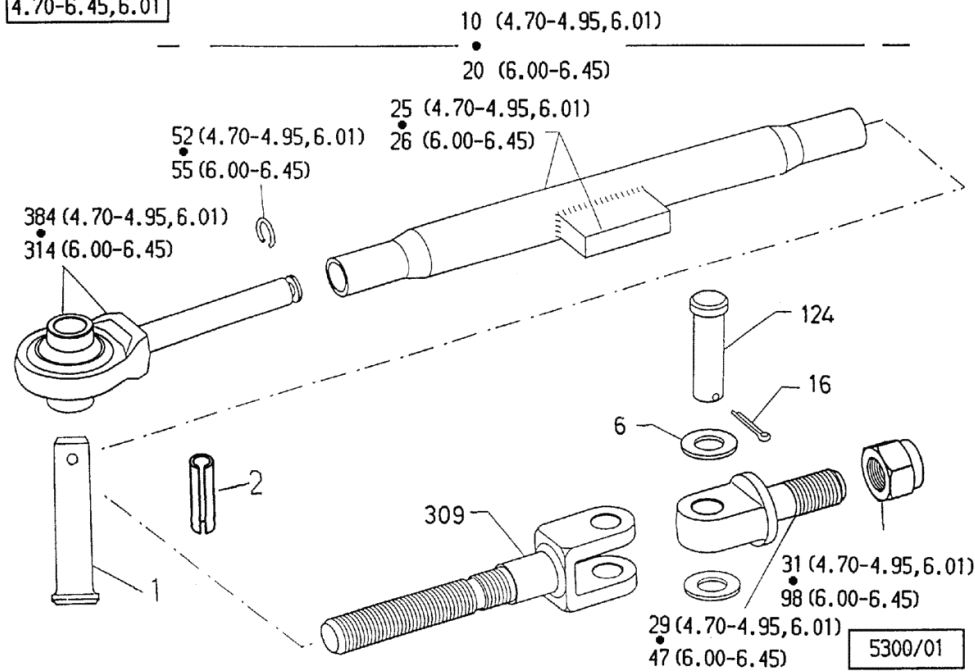


Fig.	Code	QTY	Name
1	04414819	2	pin
2	01157380	2	pin 10x55 d1481 ISO 008752-10 X 55-A4C
6	04418501	1	washer
10	04414936	2	stabiliser
16	04418495	1	stop
20	04414937	2	stabiliser
25	04418492	1	tube
26	04418500	1	tube
29	04418496	1	register
31	04418497	1	nut
47	04418502	1	screw
52	04418498	1	circlip
55	04418503	1	circlip
98	04418505	1	nut
124	04418494	1	pin
309	04418493	1	stabiliser
314	04418504	1	ferrule
384	04418499	1	ferrule

Section: HYDRAULIC SYSTEM
LIFTING CYLINDER Ø MM 80

**DEUTZ
FAHR** HUBZYLINDER
 LIFT CYLINDER
 CYL DE LEVAGE
 CILINDRO ELEVADOR

Ø 80

2004-30 0504 7179

4.70-6.15,6.01

11

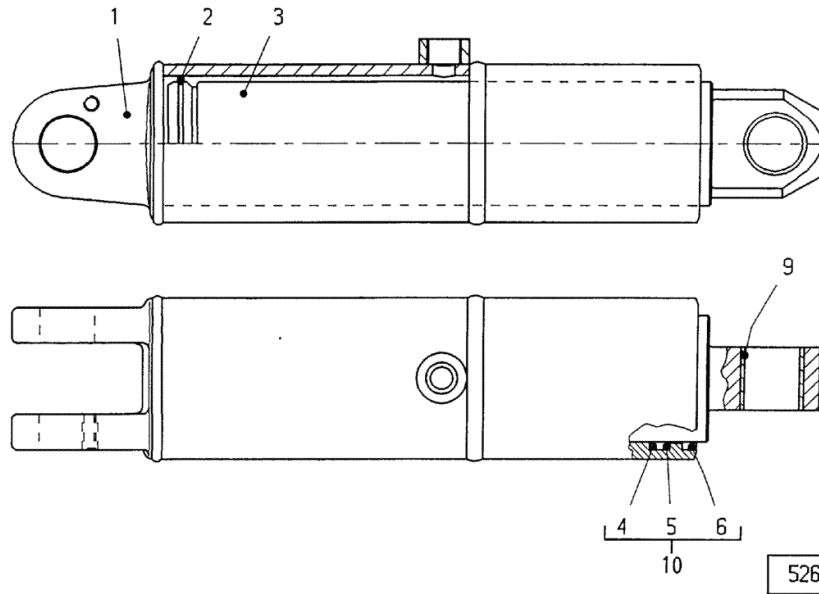


Fig.	Code	QTY	Name
1	04417828	1	cylinder
2	04417827	1	ring
3	04417826	1	piston
9	04417825	1	bushing OGNIBENE
10	04417821.4	0	gasket set OGNIBENE
10	04439554	0	gasket set BURNSIDE
11	04411182.4	1	jack mm 80 ☞ 04411182.4

END PLATE FOR POSITION 1+2+3+4

Fig.	Code	QTY	Name
12	04418531	1	tip
146	03607146	1	distributor
551	03605551	1	control grp. RETROFIT ASSEMBLY



ENDPLATTE
END PLATE
PLAQUE D'EXTREMITÉ
PLACA FINAL

FUER STELLE 1+2+3+4
FOR POSITION
POUR POSITION
PARA POSICION

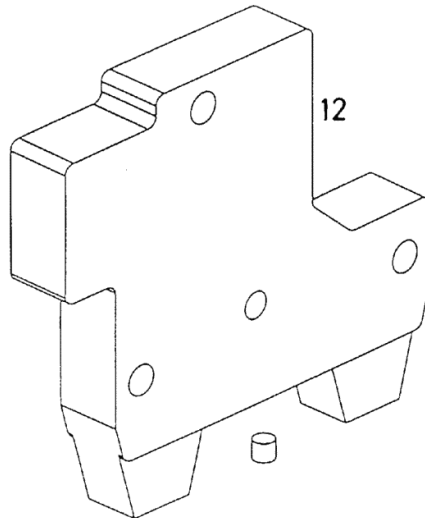
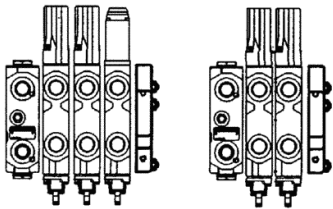
2004-40 0504 7400

6.00-6.45 6.01
106-150
160, 175, 200

→ 146 (1/97)

← 551 (12/96)

3



5385/5387
5551/6458
7146

HYDR. CONTROL FOR POSITIONS 1+2

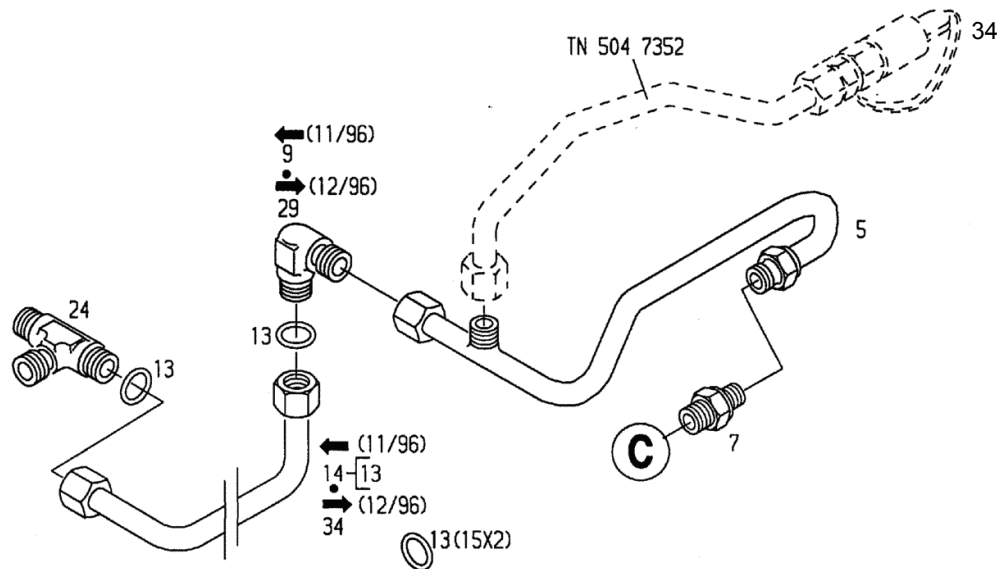
DEUTZ FAHR HYDR. STEUERUNG FUER STELLE 1+2
 HYDRAULIC CONTROL FOR POSITION
 CONTROLE HYDRAUL. POUR POSITION
 MANDO HIDRAULICO PARA POSICION

2004-88 0504 7441

6.00-6.45 6.01

106-150

Fig.	Code	QTY	Name
5	04419990	1	pipng
7	01177450	3	pipe fitting m 22 p.1.5x18 H 003132-EM22X1,5X18-FPM -A4C
9	01127366	2	pipe fitting l 18 d3905 DIN 003905-L 18-A4C
13	01180530	2	ring H 002927- 15 X 2 -NBR-1-70
14	04415531	1	pipng
24	01138562	1	pipe fitting dl 18 h 3131 H 003131-DL 18-ST-A4C
29	04424669	1	pipe fitting H 003131-DL 22 -ST-A3C
34	04426622	1	pipng



5385/7144

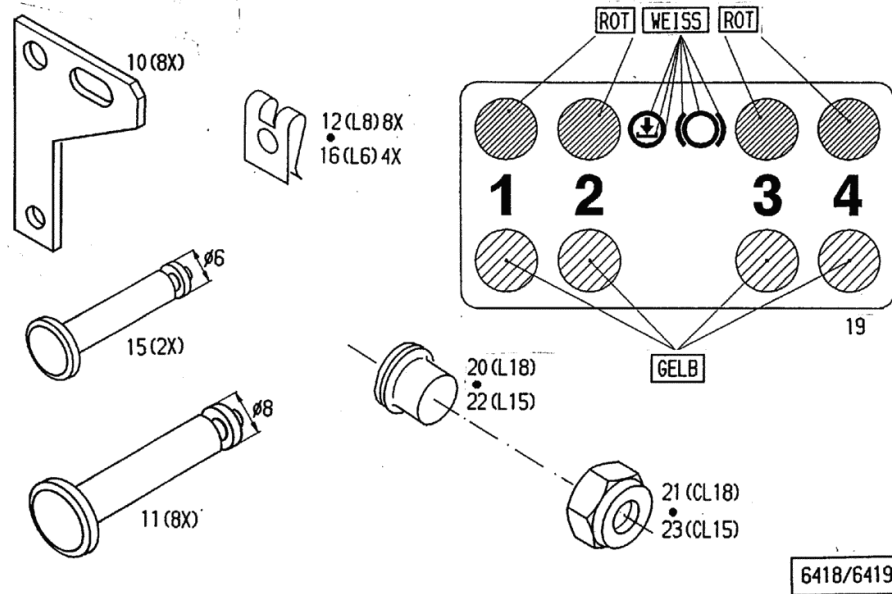
HYDRAULIC CONTROL UNIT FOR POSITIONS 1+2+3+4 - SPRUNG FRONT AXLE



HYDR. STEUERUNG FUER STELLE 1+2+3+4 GEFEDERTE VORDERACHSE
 HYDRAULIC CONTROL FOR POSITION SUSPENDED FRONT AXLE
 CONTROLE HYDRAUL. POUR POSITION SUSPENSION AVANTEUX
 MANDO HIDRAULICO PARA POSICION SUSPENSION DELANTERA 2004-88 0504 7741

6.00-6.45 6.01
 106-150

Fig.	Code	QTY	Name
10	04426193	8	lever
11	04402646	8	pin 8x25
12	01176237	8	guard H 002205-L 8 -FE/ZN12CC
15	04413526	2	bolt 6x25
16	01175725	4	small spring 6, d128 H 002205-L 6 -FE/ZN12CC
19	04416005	1	plate
20	01180566	1	cone H 003107-DKO-L18-ST-NBR -A4C
21	01127347	1	nut CL 18 H 003105- CL18 -ST-A3C WAXED ST
22	01180617	1	cone H 003107-DKO-L15-ST-NBR -A4C
23	01179540	1	nut cl 15 h3105 H 003105- CL15 -STF55 -A3C GE WAXED



COVER - REMOTE-CONNECTION WITH DETACHING COUPLING

Fig.	Code	QTY	Name
2	04413370	2	cover
5	04416003	4	guard

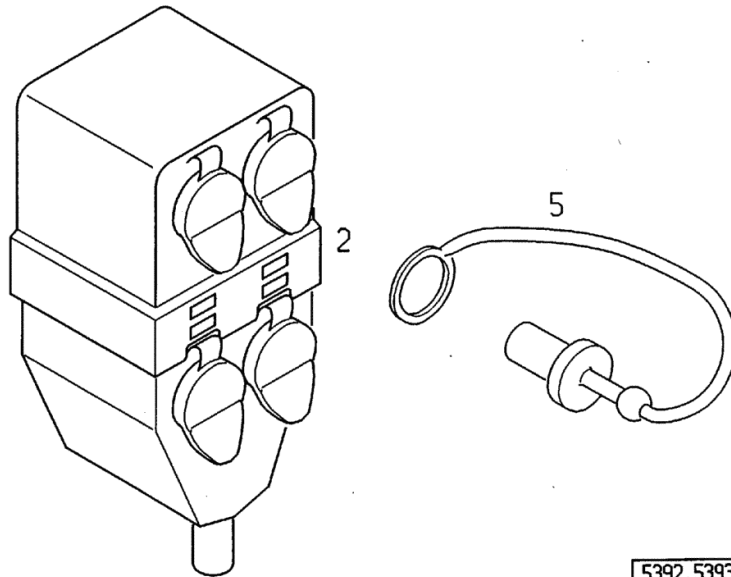


ABDECKUNG REMOTE-ANSCHLUSS MIT ABREISSKUPPLUNG
 COVER INDEP. REM. HYDR. WITH BREAK COUPLING
 RECUVREMENT PRISE HYDRAULIQUE AVEC PRISE DE PRESSION "PUSH PULL"
 PROTECCION CONEXION REMOTE CON ENCHUFE RAPIDO 2004-88 0504 7290

4.70-6.45,6.01

80-105

3



5392, 5393
 6459
 7647, 7649

RETURN LINE FRONT - UNPRESSURIZED

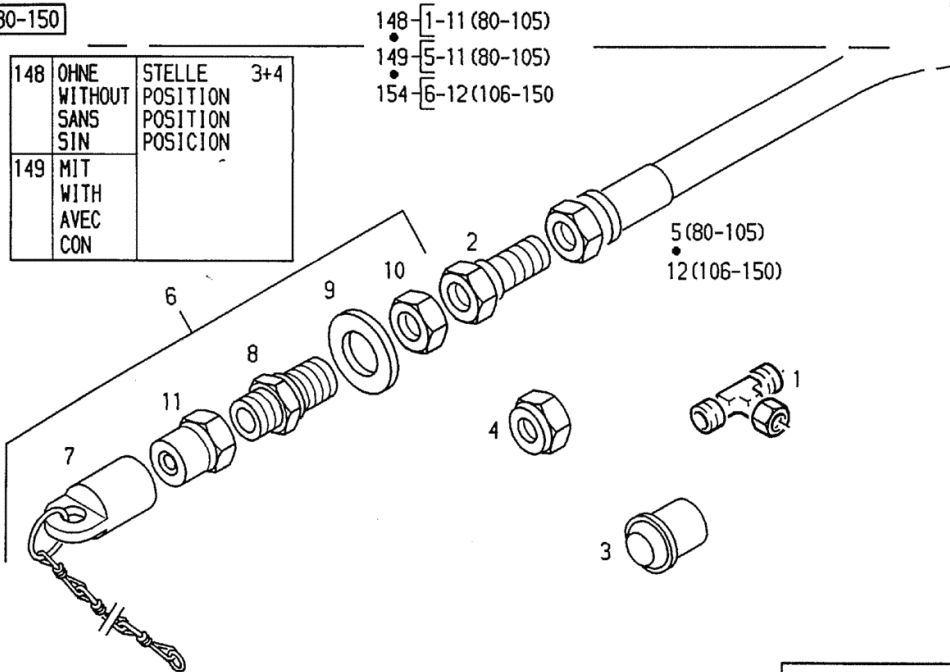
Fig.	Code	QTY	Name
1	01144829	1	tongue DIN 003943-L15-ST- NBR-A4C
2	01173210	1	insert 22/15 l H 003118-L22-15-A4C
3	01180617	2	cone H 003107-DKO-L15-ST-NBR -A4C
4	01179540	2	nut cl 15 h3105 H 003105- CL15 -STF55 -A3C GE WAXED
5	04424647	1	tube
6	04351795.4	1	pin
7	04345654	1	dust guard
8	04345652	1	pipe fitting
9	01144507	1	disc
10	01137633	1	DIN 000125-A23 -140HV nut m 22 x 1.5
11	04363181	1	DIN 080705-M 22X1,5-A4C union nut
12	04424643	1	tube
148	03607148	1	tube RETROFIT ASSEMBLY
149	03607149	1	tube RETROFIT ASSEMBLY
154	03607154	1	tube RETROFIT ASSEMBLY

DEUTZ FAHR RUECKLAUFLEITUNG FRONT DRUCKLOS
RETURN LINE FRONT PRESSURELESS
CONDUITE DE RETOUR AVANT SANS PRESSION
TUBERIA DE RETORNO DELANTE SIN PRESTION

2004-88 0504 7765

80-150

148	OHNE WITHOUT SANS SIN	STELLE POSITION POSITION POSICION	3+4
149	MIT WITH AVEC CON		



7148/7149/7154

Section: MOTOR SUPPLY
COMPENSATOR RESERVOIR

DEUTZ FAHR AUSGLEICHBEHAELT.
 EXPANSION TANK
 VASE COMPENSATION
 TANQUE COMPENSAC.

2002-39 0504 7629

6.00-6,45,6.01

105-150

WASSERKUEHLER
 WATER COOLER
 REFROIDISSEUR EAU
 ENFRIADOR DE AGUA

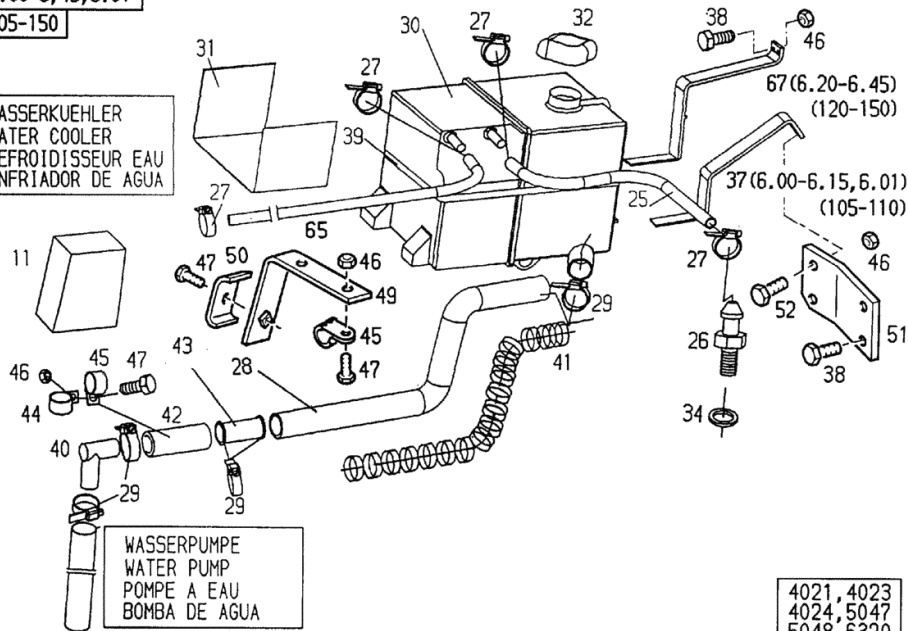


Fig.	Code	QTY	Name
11	04411903	1	flange
25	04411898	1	tube
26	04413656	1	tongue
27	01173965	4	clamp 10-16/9 h3461 H 003461-B 9 C 10- 16-W1
28	04413681	1	tube
29	01173962	5	clamp Ø 20/32 H 003461-B13 C 20- 32-W1
30	04411107	1	cup
31	04422685	1	shield
32	04413650	1	plug
34	01118659	1	'o' ring DIN 007603-A 10 X 13,5-CU
37	04422681	1	consolle
38	01124457	2	screw m 8 x 45 ISO 004017-M 8 X 45 - 8.8-A4C
39	04422684	1	clamp
40	04413682	1	stop
41	04418145	1	guard
42	04419002	1	tube
43	04418612	1	connection
45	01213283	3	clamp Ø 20/28 H 003223-B28X20-W1/CR70-10
46	01112824	3	nut m 8, d934 ISO 004032-M 8 - 8-A4C
47	01112350	2	screw m 8 x 35 ISO 004017-M 8 X 35 - 8.8-A4C
49	04426494	1	consolle
50	04418168	1	terminal
51	04425719	1	consolle
52	01112333	2	screw m 8 x 25, d933 ISO 004017-M 8 X 25 - 8.8-A4C
65	04413663	1	tube
67	04422682	1	consolle

Section: MOTOR SUPPLY

COMBI-AIR FILTER

**DEUTZ
FAHR** KOMBI-LUFTFILTER
AIR CLEANER
FILTRE ELEMENT PAP
FILTRO AIRE COMBIN

2002-43 0504 7033

4.70-6.45,6.01
80-150

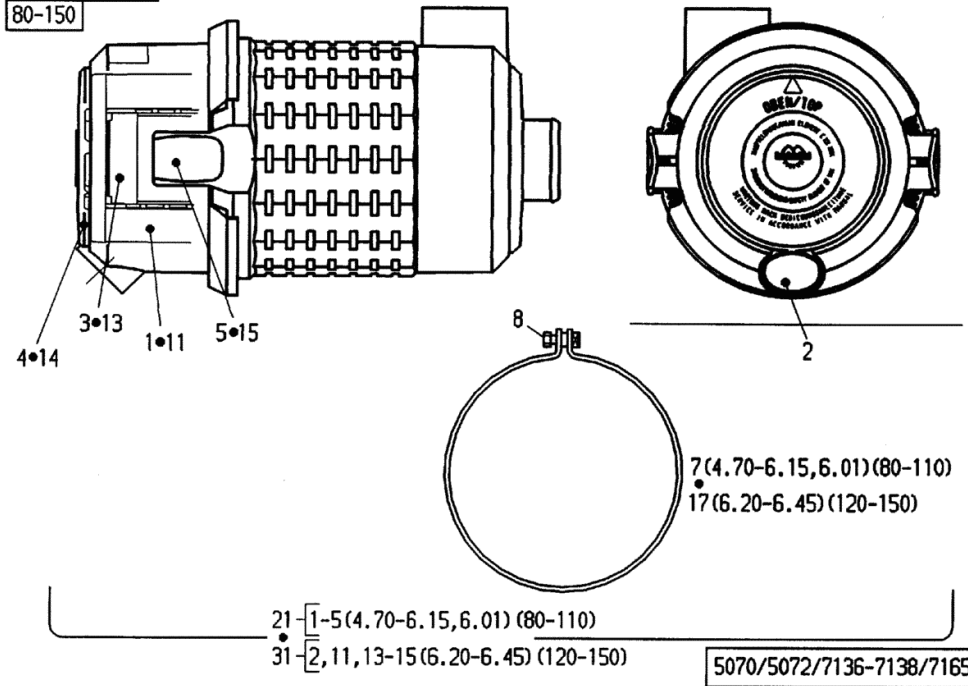


Fig.	Code	QTY	Name
1	04415905	1	filter
2	04415902	1	valve
3	04415906	1	filter
4	04415907	1	dust guard
5	04419816	1	box
7	04413720	1	hose clip
8	01112333	1	screw m 8 x 25, d933
3	11	1	ISO 004017-M 8 X 25 - 8.8-A4C
13	04415901	1	filter
14	04415903	1	internal air filter element
15	04415904	1	dust guard
17	04419817	1	cover
21	04413721	1	hose clip
21	04411608	1	filter
31	04411610	1	filter

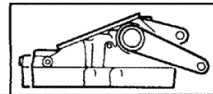
Section: OTHER

RETROFIT KIT - FUNCTION GROUP 4

Fig.	Code	QTY	Name
1	03607330	1	jack SUBASSEMBLY 81
5	03605550	1	distributor SUBASSEMBLY 88
10	03605551	1	control grp. SUBASSEMBLY 88
15	03607143	1	control grp. SUBASSEMBLY 88
20	03607146	1	distributor SUBASSEMBLY 88
25	03607279	1	gasket set SUBASSEMBLY 88
30	03606934	1	publicity article SUBASSEMBLY 88
35	03606935	1	publicity article SUBASSEMBLY 88
40	03607010	1	publicity article SUBASSEMBLY 88
45	04423554	1	publicity article SUBASSEMBLY 88
50	03605392	1	connection SUBASSEMBLY 88
55	03605396	1	connection SUBASSEMBLY 88
60	03605397	1	distributor SUBASSEMBLY 88
65	03605399	1	connection SUBASSEMBLY 88
70	03605400	1	pipng SUBASSEMBLY 88
75	03605402	1	lock SUBASSEMBLY 88
80	03605403	1	pipng SUBASSEMBLY 88

DEUTZ FAHR NACHRÜESTSATZ FUNKTIONSGRUPPE
OPTIONAL EXTRAS FUNKTIONAL GRUOP
EQUIPULTEURER GROUPE FONKTIONNEL
JUEGOCOMPLEMENT.GRUPO FUNCIONAL

4



2/97

2001-01 0504 7770

4.70-6.45,6.01

POS.	BENENNUNG	TYPEN
1	NACHRÜSTS. HUBZYLINDER EINFACH WIRKEND (100ER ZYL.)	6.00-6.15
5	HYDRAUL. STEUERUNG NACHRÜSTS. ST 3+4 OC MIT EINZELHEBEL ST. 3+4 BIS FG	4.70-4.95 6.01
10	HYDRAUL. STEUERUNG NACHRÜSTS. ST 3+4 LS MIT EINZELHEBEL ST 3+4 BIS FG	6.00-6.45
15	HYDRAUL. STEUERUNG NACHRÜSTS. ST 3+4 OC MIT EINZELHEBEL ST. 3+4 AB FG	4.70-4.95 6.01
20	HYDRAUL. STEUERUNG NACHRÜSTS. ST 3+4 LS MIT EINZELHEBEL ST 3+4 AB FG	6.00-6.45
25	HYDR. STEUERUNG, BETÄTIGUNG F. STEUERGERÄTE KREUZHEBEL STELLE 1 + 2	4.70-6.45 6.01
30	DRUCKREDUZIERUNG IM RÜCKLAUF - HYDR.STEUERUNG BIS FG.NR.	4.70-4.95 6.01
35	DRUCKREDUZIERUNG IM RÜCKLAUF - HYDR.STEUERUNG BIS FG.NR. OHNE RÜCKLAUF HECK	6.00-6.45
40	DRUCKREDUZIERUNG IM RÜCKLAUF - HYDR.STEUERUNG BIS FG.NR. MIT RÜCKLAUF HECK	6.00-6.45
45	EHR BEDIENHEBEL - BOSCH AUSFÜHRUNG	4.70-6.45 6.01
50	REMOTE-ANSCHLUß, HECK MIT ABREIßFKT. UND SCHUTZKAPPEN. (4 STK.)	4.70-6.45 6.01
55	REMOTE-ANSCHLUß, FRONT OHNE ABREIßFKT. MIT STAUBSCHUTZ F. STELLE 1	4.70-4.95 6.01
60	REMOTE-ANSCHLUß, FRONT OHNE ABREIßFKT. MIT STAUBSCHUTZ F. STELLE 1	6.00-6.45
65	REMOTE-ANSCHLUß, FRONT OHNE ABREIßFKT. MIT STAUBSCHUTZ F. STELLE 2	4.70-4.95 6.01
70	REMOTE-ANSCHLUß, FRONT OHNE ABREIßFKT. MIT STAUBSCHUTZ F. STELLE 2	6.00-6.45
75	REMOTE-ANSCHLUß, FRONT OHNE ABREIßFKT. MIT STAUBSCHUTZ F. STELLE 3	4.70-4.95 6.01
80	REMOTE-ANSCHLUß, FRONT OHNE ABREIßFKT. MIT STAUBSCHUTZ F. STELLE 3	6.00-6.45

Section: OTHER

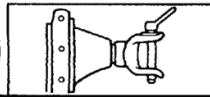
RETROFIT KIT - FUNCTION GROUP 10

Fig.	Code	QTY	Name
1	03605454	1	support SUBASSEMBLY 62
5	03606191	1	ballast SUBASSEMBLY 62
10	03606192	1	ballast SUBASSEMBLY 62
15	03605565	1	power control SUBASSEMBLY 62
20	03606281	1	tow hook SUBASSEMBLY 63
25	03606288	1	tow hook SUBASSEMBLY 63
30	03606196	1	clutch assy SUBASSEMBLY 32
35	03605790	1	tow hook SUBASSEMBLY 62
40	03606247	1	tow hook SUBASSEMBLY 62
45	03606289	1	tow hook SUBASSEMBLY 62
50	03606513	1	tow hook SUBASSEMBLY 62
55	03606290	1	tow hook SUBASSEMBLY 62
60	03606514	1	clevis SUBASSEMBLY 62
65	04418921	1	tow hook SUBASSEMBLY 62
70	03607332	1	actuator SUBASSEMBLY 62
75	03607131	1	rod SUBASSEMBLY 14
80	03607132	1	support SUBASSEMBLY 14
85	03607133	1	support SUBASSEMBLY 14



NACHRUESTSATZ FUNKTIONSGRUPPE
 OPTIONAL EXTRAS FUNKTIONAL GRUOP
 EQUIPULTEURIEUR GROUPE FONKTIONNEL
 JUEGOCOMPLEMENT.GRUPO FUNCIONAL

10



2/97

2001-01 0504 7781

4.70-6.45,6.01

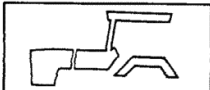
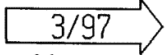
SO. R.	BENENNUNG	TYPEN
1	BALLASTTRÄGER (100 KG) MIT VORSTECKBOLZEN	4.70-6.45 6.01
5	BALLASTTRÄGER (330 KG) MIT VORSTECKBOLZEN	4.70-6.45 6.01
10	ZWISCHENPLATTE 330 KG	6.00-6.45
15	ADAPTER FÜR ALTE GEWICHTE	4.70-6.45 6.01
20	ANHÄNGEKUPPLUNG - KURZ, MECH. MIT FAHRSTUHL U. VORSTECKBOLZEN, 31	4.70-4.95 6.01
25	ANHÄNGEKUPPLUNG - LANG, MECH. MIT FAHRSTUHL U. VORSTECKBOLZEN, 31	4.70-6.45 6.01
30	RANGIERKUPPLUNG, 40 KG	4.70-6.45 6.01
35	ANHÄNGEKUPPLUNG AUTOMATISCH FÜR ANHÄNGEBOCK (A) 30,8	4.70-6.45 6.01
40	ANHÄNGEKUPPLUNG AUTOMATISCH FÜR ANHÄNGEBOCK (I) 30,8	4.70-6.45 6.01
45	ANHÄNGEKUPPLUNG - KURZ, AUTOM. MIT FAHRSTUHL U. VORSTECKBOLZEN, 30,8	4.70-4.95 6.01
50	ANHÄNGEKUPPLUNG - KURZ, AUTOM. MIT FAHRSTUHL U. VORSTECKBOLZEN, 38	4.70-4.95 6.01
55	ANHÄNGEKUPPLUNG - LANG, AUTOM. MIT FAHRSTUHL U. VORSTECKBOLZEN, 30,8	4.70-6.45 6.01
60	ANHÄNGEKUPPLUNG - LANG, AUTOM. MIT FAHRSTUHL U. VORSTECKBOLZEN, 38	4.70-6.45 6.01
65	ANHÄNGEKUPPLUNG AUTOMATISCH FÜR FAHRSTUHL (NUR KUPPLUNG) 30,8	4.70-6.45 6.01
70	FERNBETÄTIGUNG AUTOM. AHK ODER HITCH	4.70-6.45 6.01
75	AUFNAHME FÜR ZUGPENDEL,PITON FIX,HAKENKUPPLUNG,FÜHRUNGSLEISTEN	4.70-6.45 6.01
80	AUFNAHME FÜR FAHRSTUHL	4.70-6.45 6.01
85	AUFNAHME FÜR OHNE ANHÄNGERKUPPLUNG	4.70-6.45 6.01

RETROFIT KIT - FUNCTION GROUP 6

Fig.	Code	QTY	Name
------	------	-----	------

SUBASSEMBLY 37

DEUTZ FAHR NACHRUESTSATZ FUNKTIONSGRUPPE
 OPTIONAL EXTRAS FUNKTIONAL GRUOP
 EQUIPULTEURIEUR GROUPE FONKTIONNEL
 JUEGOCOMPLEMENT.GRUPO FUNCIONAL

6  

2001-01 0504 7833

80-150 0

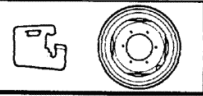
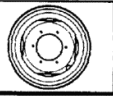
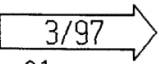
POS.	BENENNUNG	TYPEN
1	KENNZ. SCHILDHALTER	80-150
5	BETÄTIGUNG, HANDDREHZAHVERSTELLUNG	80-150
10	FERNBEDIENUNG HECKKRAFTHEBER FÜR RECHTEN KOTFLÜGEL	80-150
15	FERNBEDIENUNG HECK-ZW FÜR LINKEN KOTFLÜGEL	80-150
20	KOTFLÜGELBLENDE	80-150
25	KOTFLÜGELVERBREITERUNG 45 MM	80-150
30	KOTFLÜGELVERBREITERUNG 145 MM	80-150
35	KOTFLÜGELVERBREITERUNG 250 MM FÜR KOTFLÜGEL HINTEN	80-150
40	KOTFLÜGELVERLÄNGERUNG NACH VORN (RECHTE SEITE)	80-150
45	KOTFLÜGELVERLÄNGERUNG NACH VORN (LINKE SEITE)	80-150
50	VERLÄNGERUNG FÜR KOTFLÜGEL HINTEN (RECHTS UND LINKS)	80-150
55	VERLÄNGERUNG FÜR KOTFLÜGELVERBREITERUNG 45MM (RECHTS UND LINKS)	80-150
60	VERLÄNGERUNG FÜR KOTFLÜGELVERBREITERUNG 145MM (RECHTS UND LINKS)	80-150
70	TÜRFESTSTELLER - FÜR LINKE TÜR	80-150
75	TÜRFESTSTELLER - FÜR RECHTE TÜR	80-150

Section: OTHER

RETROFIT KIT - FUNCTION GROUP 11

Fig.	Code	QTY	Name
10	03605456	1	ballast RETROFIT ASSEMBLY SUBASSEMBLY 62
15	03607297	1	ballast RETROFIT ASSEMBLY SUBASSEMBLY 62
20	02941127	1	accessories RETROFIT ASSEMBLY SUBASSEMBLY 62

DEUTZ FAHR NACHRUESTSATZ FUNKTIONSGRUPPE
 OPTIONAL EXTRAS FUNKTIONAL GRUOP
 EQUIPULTEURIEUR GROUPE FONKTIONNEL
 JUEGOCOMPLEMENT,GRUPO FUNCIONAL

11   

2001-01 0504 7842

80-150

0

POS.	BENENNUNG	TYPEN
5	WASSERFÜLLVENTIL	80-150
10	FRONTBALLAST (2 STK.) 80 KG	80-150
15	FRONTBALLAST 1000 KG	80-150
20	BEFESTIGUNGSTEILE FRONTBALLAST	80-150

CLICK HERE TO **DOWNLOAD** THE COMPLETE MANUAL

- Thank you very much for reading the preview of the manual.
- You can download the complete manual from: www.heydownloads.com by clicking the link below



- Please note: If there is no response to CLICKING the link, please download this PDF first and then click on it.

CLICK HERE TO **DOWNLOAD** THE COMPLETE MANUAL