

Agrotron 110 MK3 -> 8090

ACCESSORIES

GENERAL

4-WAY HYDRAULIC CONTROL VALVE WITHOUT AIR BRAKING.....	0E.00.1
PLATE FOR QUICK-ACTION COUPLERS.....	0E.00.2
4-WAY HYDRAULIC CONTROL VALVE WITHOUT AIR BRAKING.....	0E.00.3
4-WAY HYDRAULIC CONTROL VALVE WITH AIR BRAKING.....	0E.00.4
4-WAY HYDRAULIC CONTROL VALVE WITHOUT AIR BRAKING LOAD SENSING.....	0E.00.5
4-WAY HYDRAULIC CONTROL VALVE WITH AIR BRAKING LOAD SENSING.....	0E.00.6
4-WAY HYDRAULIC CONTROL VALVE WITHOUT AIR BRAKING - WITH SUSPENDED AXLE.....	0E.00.7
4-WAY HYDRAULIC CONTROL VALVE WITH AIR BRAKING - WITH SUSPENDED AXLE.....	0E.00.8
4-WAY HYDRAULIC CONTROL VALVE.....	0E.00.9
4-WAY HYDRAULIC CONTROL VALVE.....	0E.00.10
8-WAY HYDRAULIC CONTROL VALVE.....	0E.00.11
8-WAY HYDRAULIC CONTROL VALVE.....	0E.00.12
8-WAY HYDRAULIC CONTROL VALVE LOAD SENSING.....	0E.00.13
8-WAY HYDRAULIC CONTROL VALVE LOAD SENSING.....	0E.00.14
8-WAY HYDRAULIC CONTROL VALVE WITH SUSPENDED AXLE.....	0E.00.15
8-WAY HYDRAULIC CONTROL VALVE WITH SUSPENDED AXLE.....	0E.00.16
8-WAY HYDRAULIC CONTROL VALVE.....	0E.00.17
8-WAY HYDRAULIC CONTROL VALVE.....	0E.00.18
FLOW CONTROL FOR 4/8-WAY CONTROL VALVE.....	0E.00.19
FLOW CONTROL FOR 8-WAY CONTROL VALVE.....	0E.00.20
AUXILIARY HYDRAULIC DISTRIBUTOR.....	0E.00.21
AUXILIARY HYDRAULIC DISTRIBUTOR.....	0E.00.22
REAR FREE RETURN - NOT PRESSURIZED.....	0E.00.23
4-WAY CONTROL VALVES - OIL RECOVERY.....	0E.00.24
4-WAY CONTROL VALVES - OIL RECOVERY.....	0E.00.25
8-WAY CONTROL VALVES - OIL RECOVERY.....	0E.00.26
8-WAY CONTROL VALVES - OIL RECOVERY.....	0E.00.27
4-WAY QUICK-ACTION COUPLERS.....	0E.00.28
8-WAY QUICK-ACTION COUPLERS.....	0E.00.29
3 POINT HITCH - LIFTING ARMS cat. 3.....	0E.00.30
3-POINT LINKAGE WITH AUTOMATIC COUPLERS cat. 2/3.....	0E.00.31
3 POINT HITCH.....	0E.00.32
3-POINT HITCH - ADJUSTABLE RH RODS.....	0E.00.33
3-POINT HITCH - ADJUSTABLE RH RODS.....	0E.00.34
3-POINT HITCH - SIDE STABILIZERS.....	0E.00.35
3-POINT HITCH - SIDE STABILIZERS.....	0E.00.36
3-POINT HITCH - SIDE STABILIZERS.....	0E.00.37
RETAINER FOR COLLECTING TRAY FOR TYPES WITH 145 mm REAR FENDER EXTENSIONS sx/lh/li.....	0E.00.38
RETAINER FOR COLLECTING TRAY FOR TYPES WITH 250 mm REAR FENDER EXTENSIONS.....	0E.00.39
REAR TOWING HITCH CAT: "C" ITALY.....	0E.00.40

CLICK HERE TO **DOWNLOAD** THE COMPLETE MANUAL

- Thank you very much for reading the preview of the manual.
- You can download the complete manual from: www.heydownloads.com by clicking the link below



- Please note: If there is no response to CLICKING the link, please download this PDF first and then click on it.

CLICK HERE TO **DOWNLOAD** THE COMPLETE MANUAL

4-WAY HYDRAULIC CONTROL VALVE WITHOUT AIR BRAKING LOAD SENSING

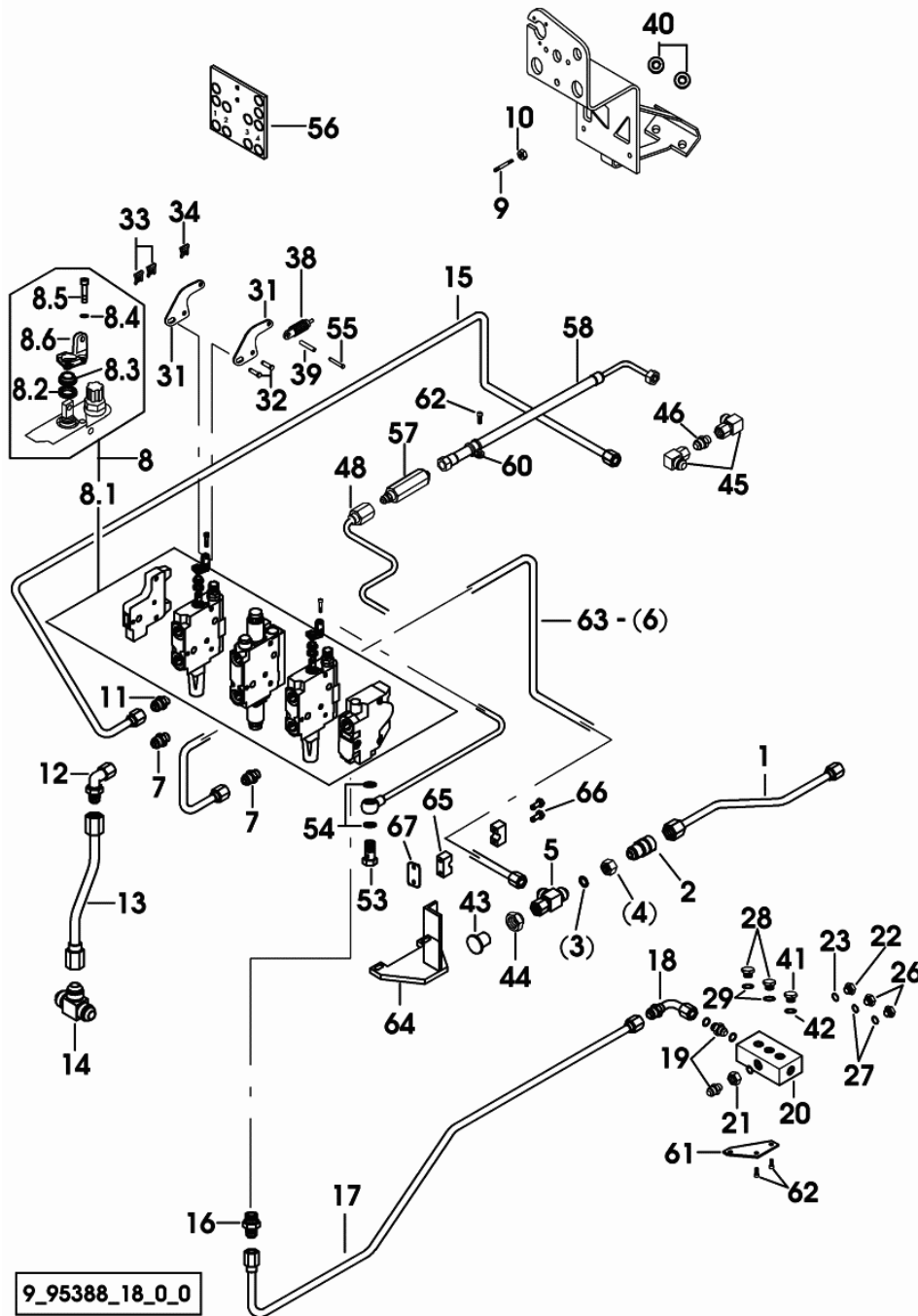


Fig.	Code	QTY	Name
1	04438695	1	tube
2	04435662	1	tongue
			1800 <- X Agrotron 106 MK3
			1360 <- X Agrotron 110 MK3
			2058 <- X Agrotron 115 MK3
2	04451656.4	1	tongue
			-> 1801 X Agrotron 106 MK3
			-> 1361 X Agrotron 110 MK3
			-> 2059 X Agrotron 115 MK3
3	01116629	1	ring
			1800 <- X Agrotron 106 MK3
			1360 <- X Agrotron 110 MK3
			2058 <- X Agrotron 115 MK3
4	01116656	1	pipe fitting m 30 p.2
			1800 <- X Agrotron 106 MK3
			1360 <- X Agrotron 110 MK3
			2058 <- X Agrotron 115 MK3
5	04427048	1	reduction
			1463 <- X Agrotron 106 MK3
			1181 <- X Agrotron 110 MK3
			1444 <- X Agrotron 115 MK3
5	16026710	1	pipe fitting Ø 22, 22, 18
			-> 1464 X Agrotron 106 MK3
			-> 1182 X Agrotron 110 MK3
			-> 1445 X Agrotron 115 MK3
6	04437453	1	piping
			1463 <- X Agrotron 106 MK3
			1181 <- X Agrotron 110 MK3
			1444 <- X Agrotron 115 MK3
7	01177450	2	pipe fitting m 22 p.1.5x18
			1463 <- X Agrotron 106 MK3
			1181 <- X Agrotron 110 MK3
			1444 <- X Agrotron 115 MK3
7	01177450	1	pipe fitting m 22 p.1.5x18
			-> 1464 X Agrotron 106 MK3
			-> 1182 X Agrotron 110 MK3
			-> 1445 X Agrotron 115 MK3
8	0.000.0000.1	0	not serviceable
8.1	04450749	1	hydraulic control bl
			COMPONENT PARTS SEE
			COMPONENTS LIST
			☞ 04450749
			☞ 04450749
			☞ 0E.00.48

4-WAY HYDRAULIC CONTROL VALVE WITH AIR BRAKING - WITH SUSPENDED AXLE

9_95388_02_0_0

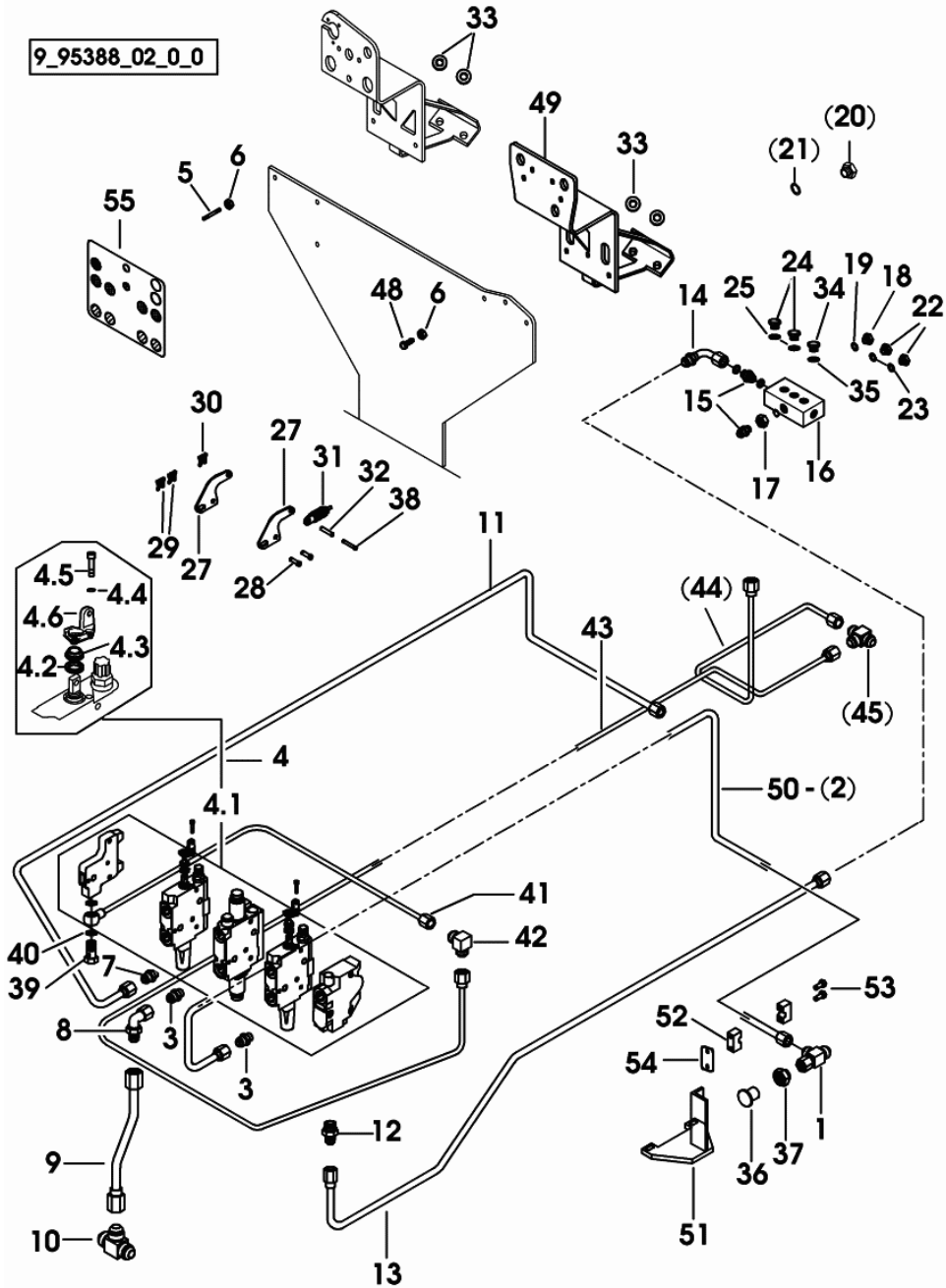


Fig.	Code	QTY	Name
12	04422764	2	pipe fitting m 22 p.1.5x22 1463 <- X Agrotron 106 MK3 1181 <- X Agrotron 110 MK3 1444 <- X Agrotron 115 MK3
12	04422764	3	pipe fitting m 22 p.1.5x22 -> 1464 X Agrotron 106 MK3 -> 1182 X Agrotron 110 MK3 -> 1445 X Agrotron 115 MK3
13	04438039	1	pipng
14	04427232	1	pipe fitting 1463 <- X Agrotron 106 MK3 1181 <- X Agrotron 110 MK3 1444 <- X Agrotron 115 MK3
14	04427232	2	pipe fitting -> 1464 X Agrotron 106 MK3 -> 1182 X Agrotron 110 MK3 -> 1445 X Agrotron 115 MK3
15	01177225	2	tongue m 26x1,5/22
16	04435666/20	1	casing
17	04437831	1	tongue
18	01118960	1	plug am14x1,5
19	01118688	1	ring 14x17
20	01118964	1	plug m 16 p.1.5 (...) <- X Agrotron 106 MK3 (...) <- X Agrotron 110 MK3 (...) <- X Agrotron 115 MK3
21	01118700	1	'o' ring Ø 16 x 20 (...) <- X Agrotron 106 MK3 (...) <- X Agrotron 110 MK3 (...) <- X Agrotron 115 MK3
22	01118970	2	plug m 18 p.1.5
23	01118713	2	washer 18.5
24	01118979	2	plug m22x1,5 d7604
25	01118737	2	'o' ring 22 x 27
27	04438354	4	lever
28	04402646	4	pin 8x25
29	01176237	4	guard
30	01175725	2	small spring 6, d128
31	04415468	2	stop
32	04415471	2	bushing
33	04418159	4	circlip
34	01122964	1	plug m 26 p.1.5

8-WAY HYDRAULIC CONTROL VALVE LOAD SENSING

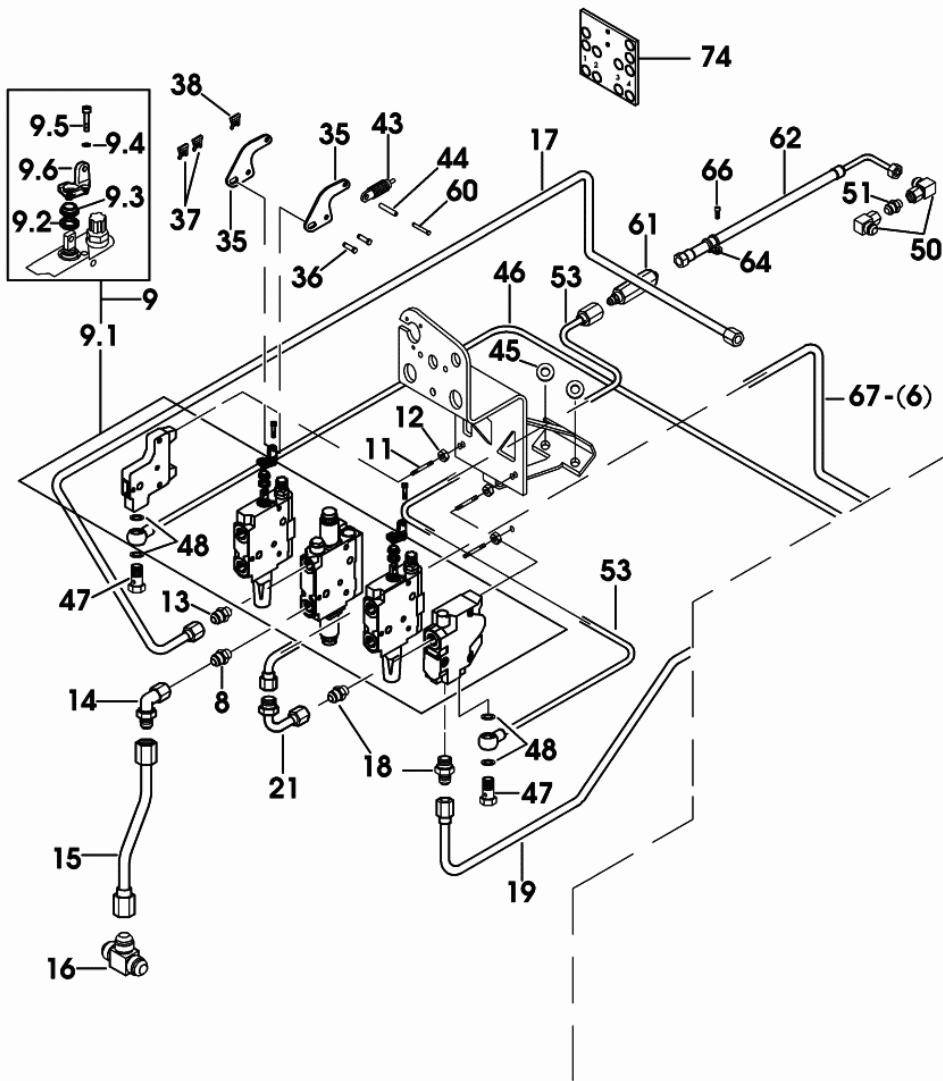


Fig.	Code	QTY	Name
19	04437457/10	1	piping -> 1464 X Agrotron 106 MK3 -> 1182 X Agrotron 110 MK3 -> 1445 X Agrotron 115 MK3
21	04427232	2	pipe fitting -> 1464 X Agrotron 106 MK3 -> 1182 X Agrotron 110 MK3 -> 1445 X Agrotron 115 MK3
35	04438354	8	lever
36	04402646	8	pin 8x25
37	01176237	8	guard
38	01175725	4	small spring 6, d128
43	04415468	4	stop
44	04415471	4	bushing
45	04418159	8	circlip
46	04437459	1	piping
47	01119241	3	pipe union m 12 p.1.5
48	01213282	6	gasket
50	01143305	2	pipe fitting
51	04427928.4	1	pipe fitting
53	04450566	1	tube
60	2.1699.497.2/20	4	pin
61	04428384.4	1	valve
62	04450565	1	flexible hose
64	01178439	1	hose clip
66	01103316	3	screw m 6 p.1.0 x 16
67	04450728	1	piping -> 1464 X Agrotron 106 MK3 -> 1182 X Agrotron 110 MK3 -> 1445 X Agrotron 115 MK3
74	04438001	1	plate

9_95388_37_0_A

Section: ACCESSORIES
8-WAY HYDRAULIC CONTROL VALVE

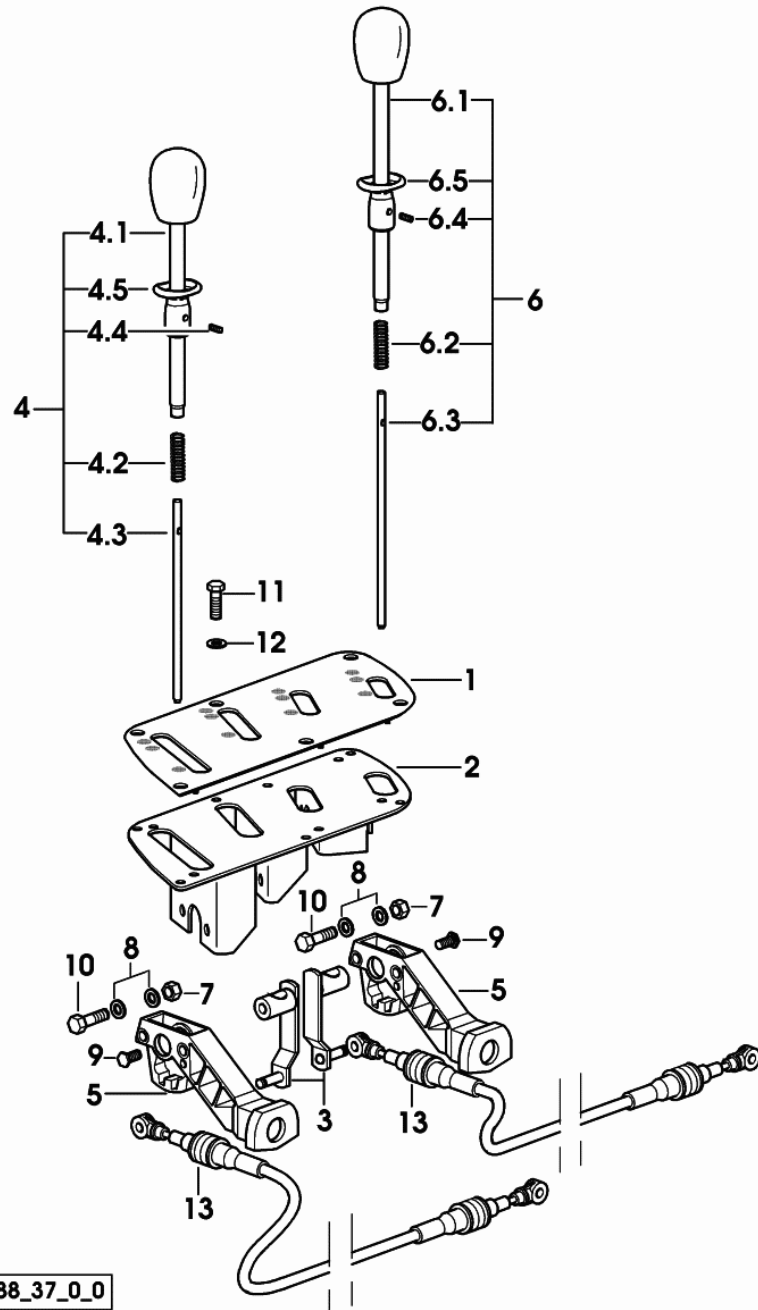


Fig.	Code	QTY	Name
1	04429247	1	plate
2	04429301.4	1	crosspiece
3	04423032.4	4	lever
4	04423028.4	3	lever
4.1	04423023.4	1	gear lever
4.2	04426194	1	spring
4.3	04425215	1	rod
4.4	01144807	1	screw
4.5	04411645	1	support
5	04425445/10	4	support
6	04429438.4	1	lamination
6.1	04429522.4	1	tube
6.2	04426194	1	spring
6.3	04429524	1	rod
6.4	01144807	1	screw
6.5	04411645	1	support
7	01136452	8	nut vm 8 d980
8	01138374	16	washer 8,4x21x4
9	04423712	4	screw
10	01124457	8	screw m 8 x 45
11	04429756	6	screw
12	01139990	6	washer
13	04429750	4	rod

9_95088_37_0_0

Section: ACCESSORIES

8-WAY CONTROL VALVES - OIL RECOVERY

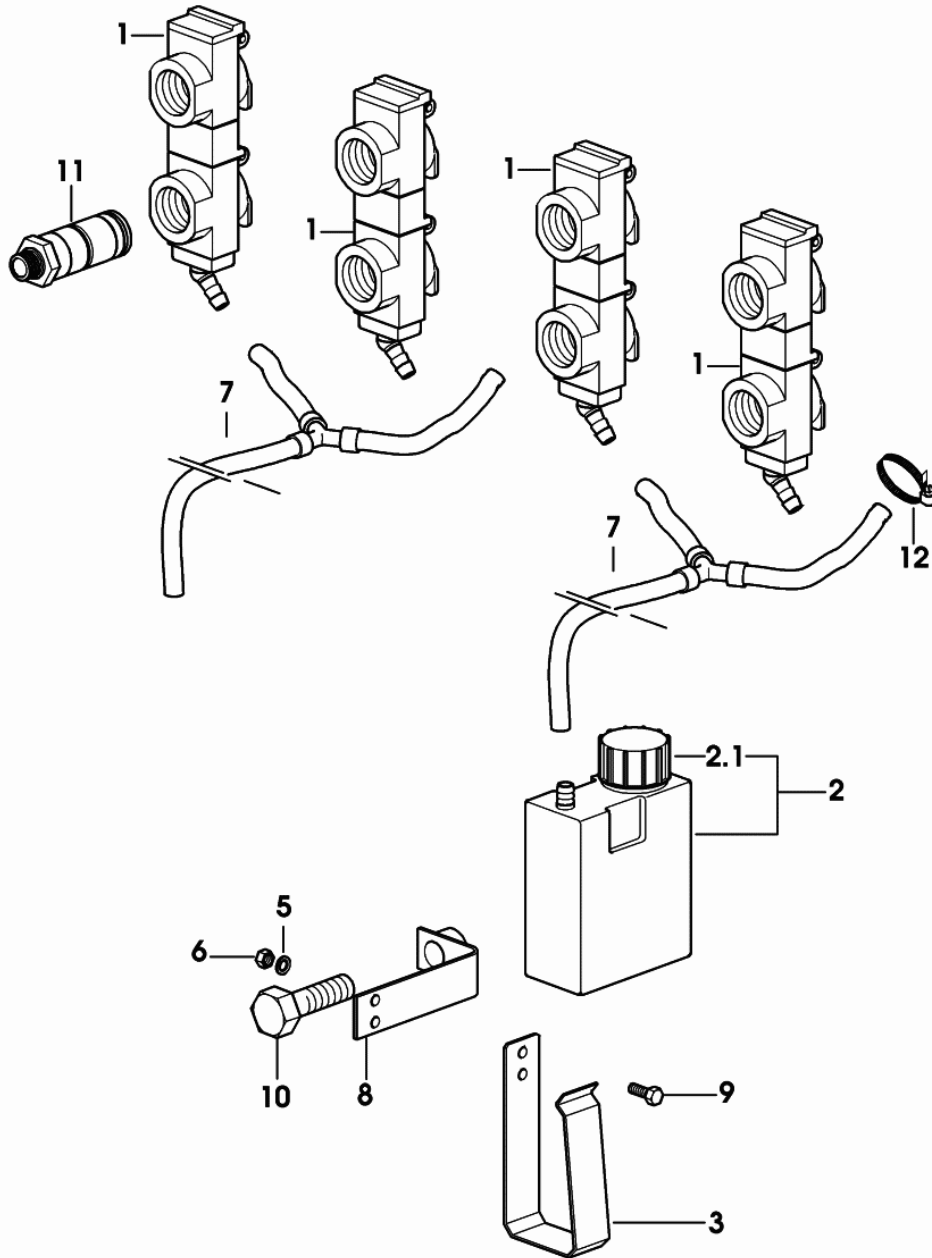
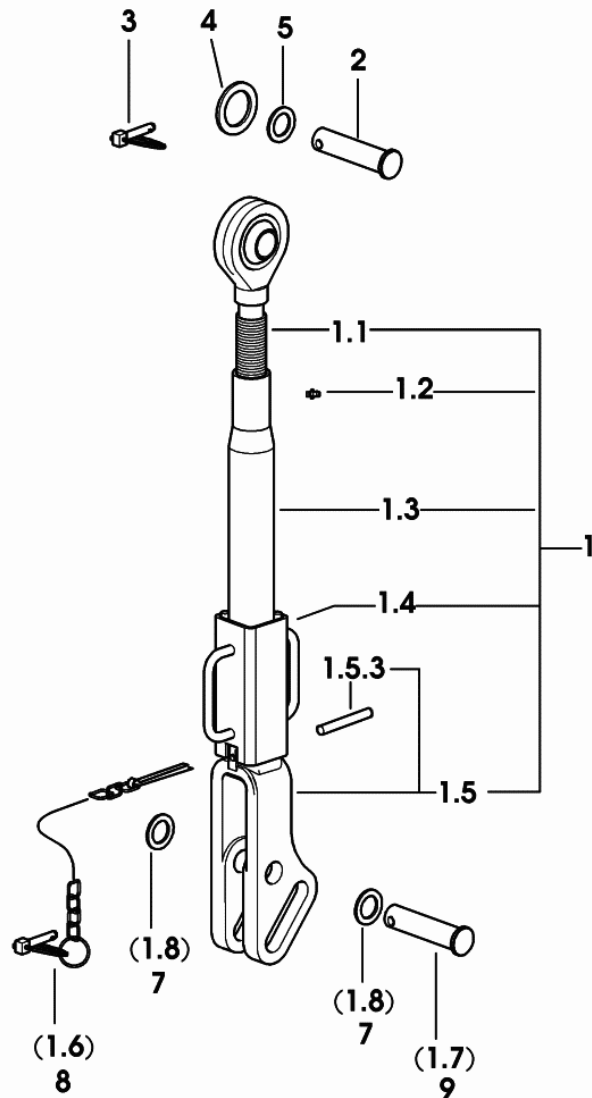


Fig.	Code	QTY	Name
1	04438516.4	4	small block
2	04426824.4	2	tank 600 cm ³
2.1	04428375	1	plug
3	04426826	2	tank support
5	00810311	4	washer 6.4
6	01133500	4	nut vm 6 d980
7	04433076.4	2	rubber tube
8	04427959	2	bracket
9	01103316	4	screw m 6 p.1.0 x 16
10	01144803	2	screw m 18 p.1.5x40
11	04412157/10	8	coupling
12	04437395	4	🔧 04412157/10 clamp

9_95388_45_0_0

3-POINT HITCH - ADJUSTABLE RH RODS



9_95358_51_0_0

Fig.	Code	QTY	Name
1	04437642.4	2	rod 1763 <- X Agrotron 106 MK3 1338 <- X Agrotron 110 MK3 1973 <- X Agrotron 115 MK3
1	0.013.1093.4	2	rod -> 1764 - 1857 <- X Agrotron 106 MK3 -> 1339 - 1419 <- X Agrotron 110 MK3 -> 1974 - 2235 <- X Agrotron 115 MK3
1	0.013.1093.4/10	2	adjustable tensioner -> 1858 X Agrotron 106 MK3 -> 1420 X Agrotron 110 MK3 -> 2236 X Agrotron 115 MK3
1.1	04427134	1	rod Ø 32 mm - dx
1.1	0.010.4418.3/10	1	rod
1.2	01168225	2	lubricator m 8 x 1
1.2	2.3820.105.2	1	lubricator m 10 p.1 x 7
1.3	04437127	1	tube
1.3	0.013.1148.2	1	sleeve
1.3	0.013.1148.2/10	1	sleeve
1.4	04428970	1	crank
1.4	0.013.1125.2	1	tube
1.5	04428971.4	1	rod
1.5	0.013.1119.3	1	rod
1.5.3	01157365	1	pin 8x55
1.5.3	2.1630.720.2	1	pin 8x70
1.6	04431814.4	1	pin
1.7	04431813	1	pin
1.8	01103605	2	washer
2	04437637	2	pin
3	04438697	2	pin 12x65
4	04431811	2	spacer 75x50x5
5	01107172	2	washer 33x56x4
7	2.1311.015.2	4	flat washer 28 -> 1764 X Agrotron 106 MK3 -> 1339 X Agrotron 110 MK3 -> 1974 X Agrotron 115 MK3
8	04431814.4	2	pin -> 1764 X Agrotron 106 MK3 -> 1339 X Agrotron 110 MK3 -> 1974 X Agrotron 115 MK3
9	04431813	2	pin -> 1764 X Agrotron 106 MK3 -> 1339 X Agrotron 110 MK3 -> 1974 X Agrotron 115 MK3

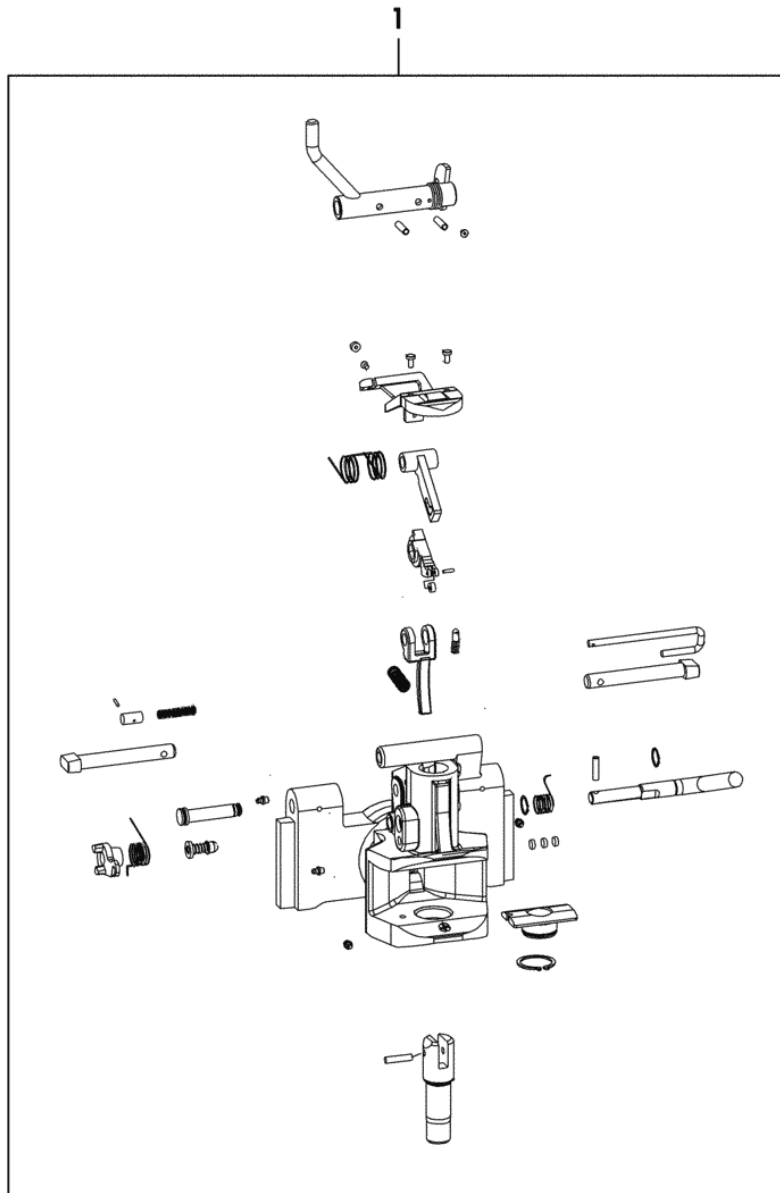
AUTOMATIC DRAWBAR COUPLING mm 30.8

Fig.	Code	QTY	Name
------	------	-----	------

Notes:

-> 1137 X Agrotron 106 MK3 -> 1018 X Agrotron 110 MK3 -> 1115 X Agrotron 115 MK3

1	04426656.4	1	tow hook COMPONENT PARTS SEE COMPONENTS LIST ☞ 04426656.4 ☞ 0E.00.67
---	------------	---	--



9_95331_66_0_0

PICK-UP-HITCH

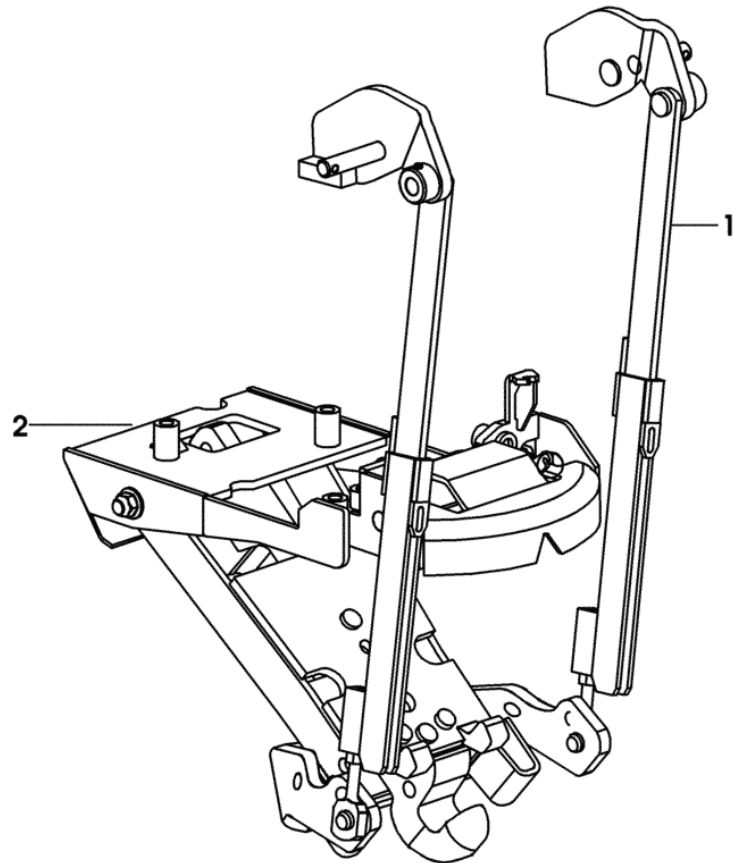
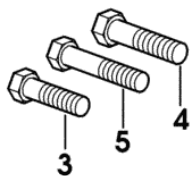


Fig.	Code	QTY	Name
1	04450253.4	1	rod COMPONENT PARTS SEE COMPONENTS LIST ☞ 04450253.4 ☞ 0E.00.76
2	04418557.4	1	pick-up COMPONENT PARTS SEE COMPONENTS LIST ☞ 04418557.4 ☞ 0E.00.77
3	01139416	4	screw m 16 x 60
4	01144802	2	screw m 18 p.1.5x75
5	01111909	2	screw m 16x85



9_95331_70_0_0

Section: ACCESSORIES
FRONT BALLAST 240 Kg

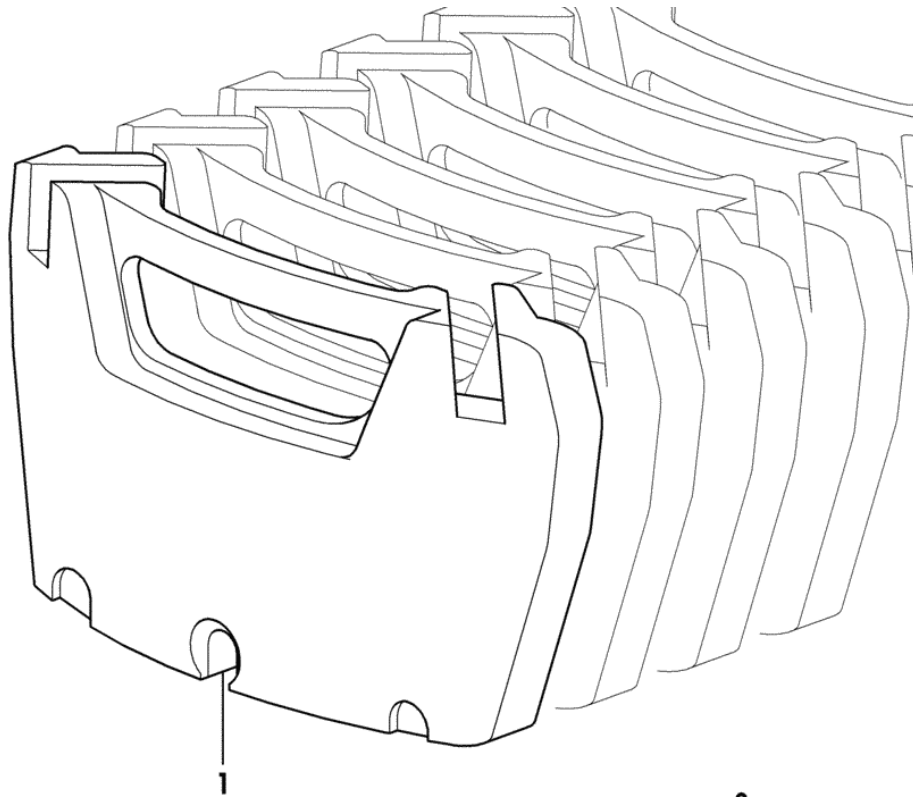
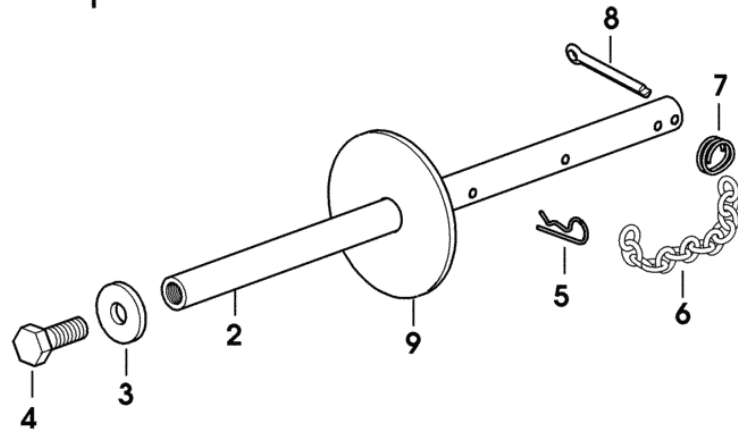


Fig.	Code	QTY	Name
1	04413831/20	6	ballast Kg 40
2	04411027	1	bracket
3	04411029	1	washer
4	01124845	1	screw m16x50 d933-10
5	01102874	1	roll pin
6	01401340	1	chain
7	04322508	2	ring
8	01132645	1	split pin 6.3x3.6
9	01143779	2	washer

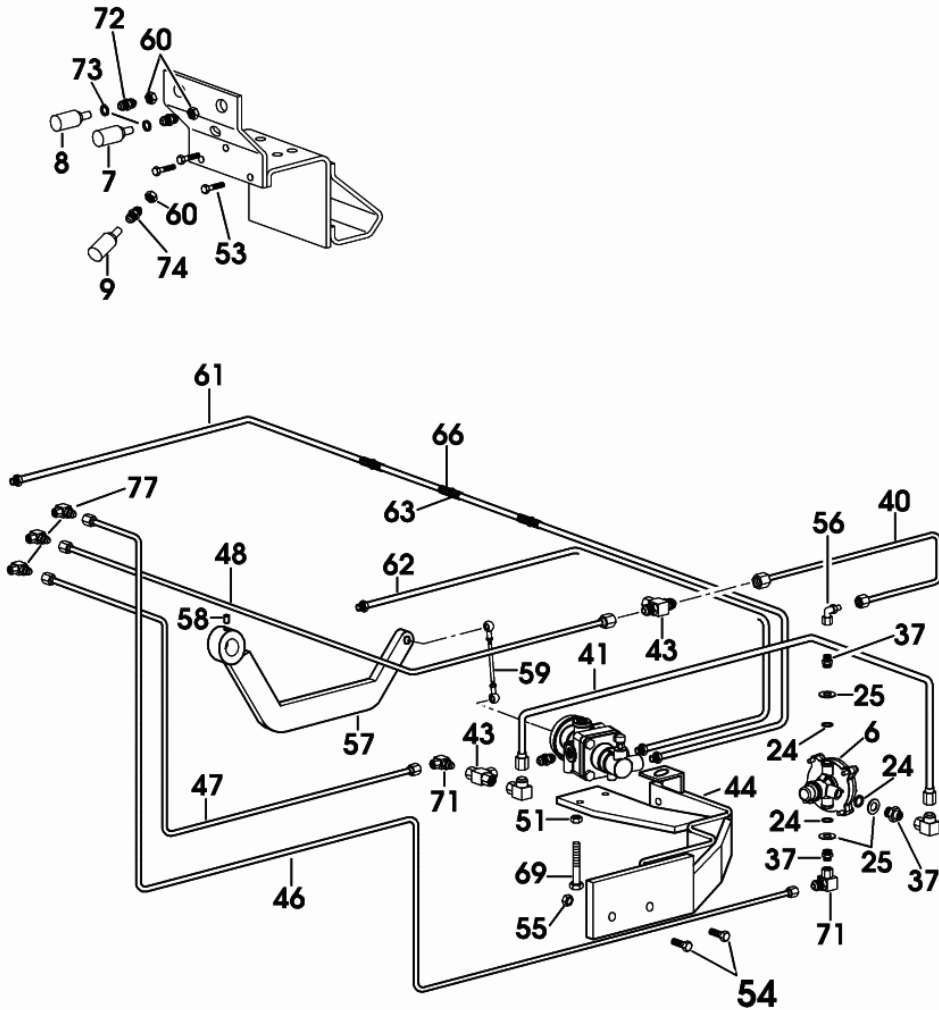


9_95052_42_0_0

Section: ACCESSORIES

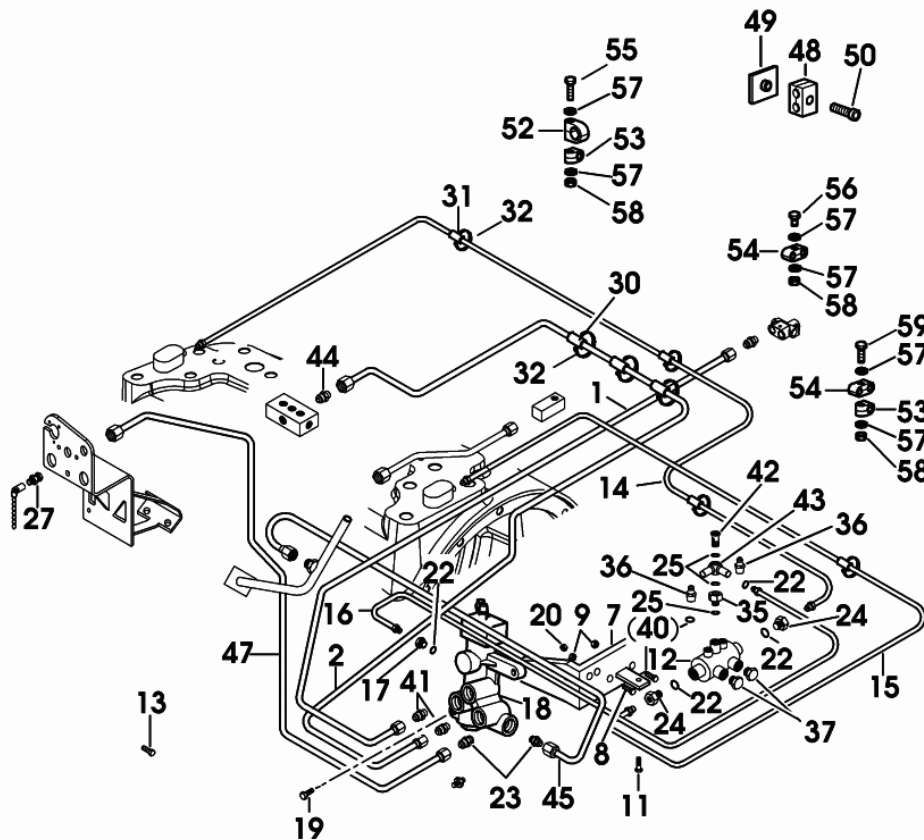
AIR BRAKING

Fig.	Code	QTY	Name
6	02382049.4	1	valve ☞ 02382049.4
7	04323303	1	socket
8	04323302	1	socket
9	04322997	1	top
24	02523700	9	ring
25	02523701	9	ring
37	01174132	6	tongue m 22x1.5x12
40	04437816	1	tube
41	04437818	1	tube
43	01144831	3	pipe fitting T
44	04437663.4/10	1	support
46	04437817	1	tube
47	04437819	1	tube
48	04437820	1	tube
51	01112824	2	nut m 8, d934
53	01112307	3	screw m 8 p.1.25 x 15, d933
54	01112451	2	screw m 10 p.1.5 x 45
55	01102659	5	nut m 10, d934
56	01144832	3	pipe fitting
57	04436641	1	lever
58	01157345	1	pin
59	04431587	1	rod
60	01131116	3	nut m 18 x 1.5
61	04436618	1	tube dx/rh/re
62	04436617	1	tube sx/lh/li
63	01172065	3	clamp 4.6 x 146
66	01216315	3	rubber plug
69	01112364	2	screw m 8 x 55, d933
71	04436896.4	3	pipe fitting L
72	01143566	2	pipe fitting a12 m16x1,5
73	04389869	3	ring
74	01143567	3	pipe fitting m 22 x 1.5
77	04437700	3	plug



9_95389_15_0_B

HYDRAULIC BREAKING FOR TRAILER - EXPORT F - FOR TYPES WITHOUT PNEUMATIC BRAKE



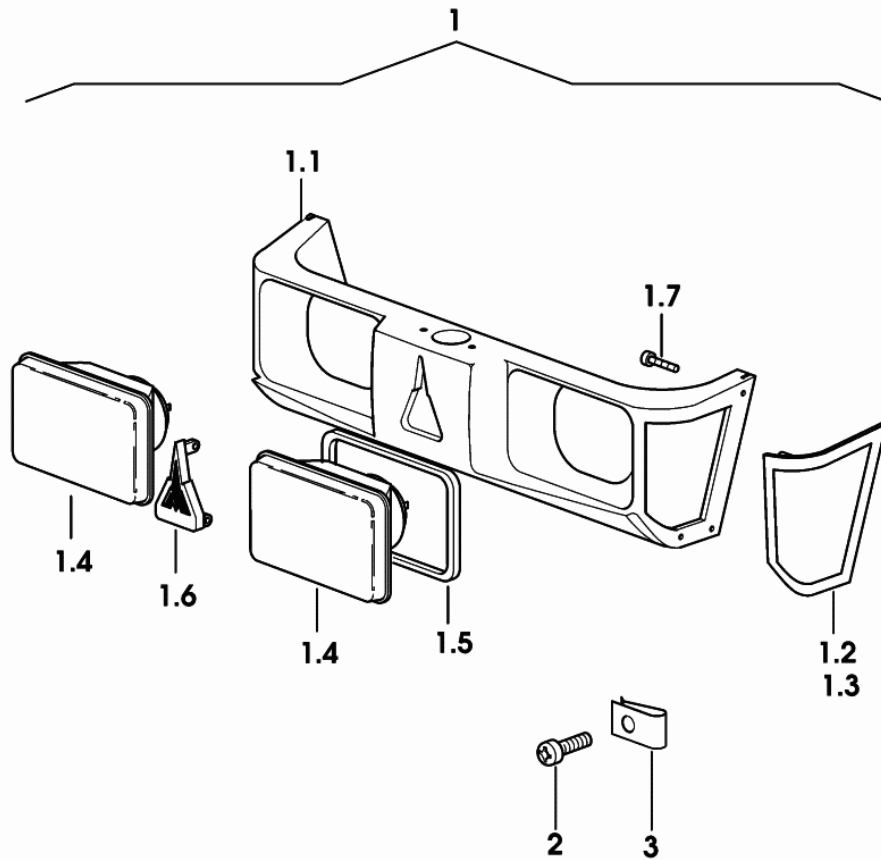
9_95389_00_0_A

Fig.	Code	QTY	Name
1	04450323	1	pipng
2	04450324	1	pipng
7	04432463.4	1	console
8	01112418	2	screw m 10 x 25, d933
9	01102659	2	nut m 10, d934
11	01112322	2	screw m 8 p.1.25 x 20
12	04422528	1	valve
13	01112356	2	screw m 8 x 40
14	04436629	1	tube sx/lh/li
15	04436630	1	tube dx/rh/re
16	04437838	1	tube
17	04419604	1	power control
18	04431473	1	valve
			(...) <- X Agrotron 106 MK3
			(...) <- X Agrotron 110 MK3
			(...) <- X Agrotron 115 MK3
			COMPONENT PAR
			☞ 04431473
			☞ 0E.00.85
18	04450428	1	valve
			-> (...) - (...) <- X Agrotron 106 MK3
			-> (...) - (...) <- X Agrotron 110 MK3
			-> (...) - (...) <-
			☞ 04450428
			☞ 0E.00.86
18	04452780	1	valve
			-> (...) X Agrotron 106 MK3
			-> (...) X Agrotron 110 MK3
			-> (...) X Agrotron 115 MK3
			COMPONENT PAR
			☞ 04452780
			☞ 0E.00.87
19	01103734	2	screw m8x55 d931-10
20	01112824	2	nut m 8, d934
22	01118681	4	'o' ring a 12x18 d7603
23	04428400	2	pipe fitting
24	03420517	2	pipe union m 12 p.1/ m 14 p.1.5
25	01118693	3	gasket 14x20
27	04307317	1	coupling
30	02382224	3	sleeve 12
31	01216315	4	rubber plug
32	01172065	11	clamp 4.6 x 146

Section: BODY WORK

FRONT GRILLE FOR DRIVING ON LEFT

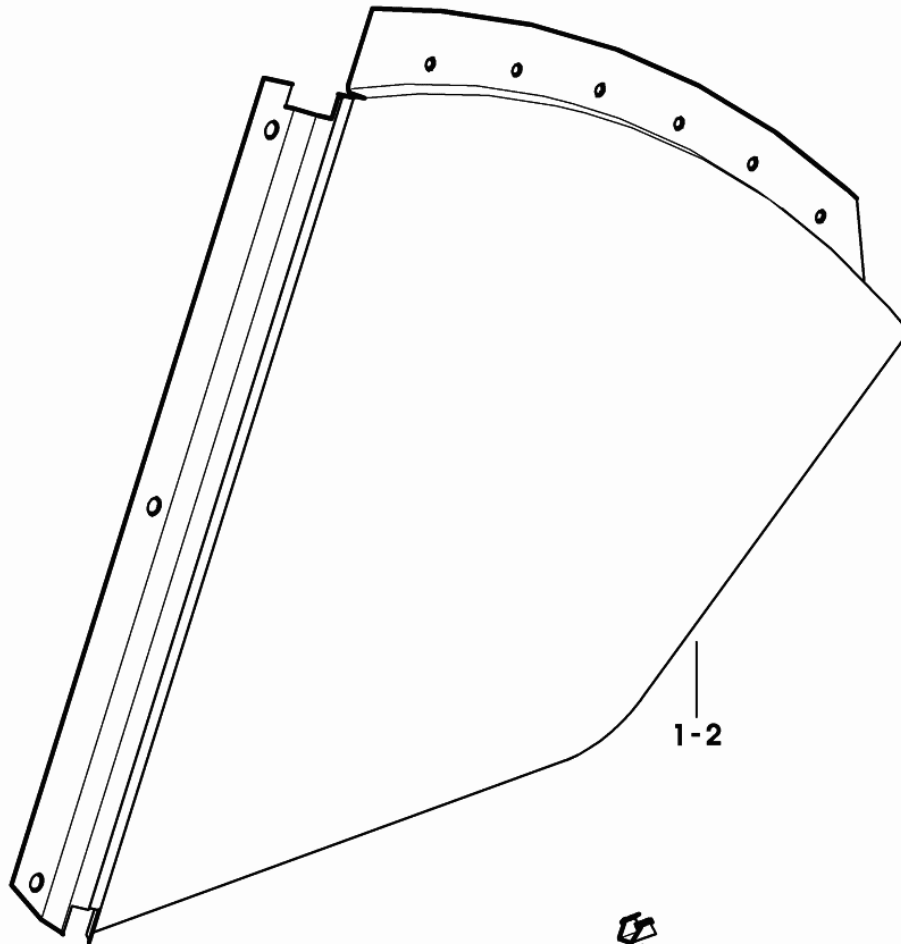
Fig.	Code	QTY	Name
1	0.000.0000.1	0	not serviceable
1.1	04411114	1	front grille
1.2	04428794.4	1	small mesh dx/rh/re
1.3	04428795.4	1	small mesh sx/lh/li
1.4	04435913.4	2	lamp sx/lh/li
1.5	04411396	2	gasket
1.6	04425742	1	plate
1.7	04413736	8	screw
2	04413745	6	screw 4.8x13
3	01179168	4	nut



9_95085_02_0_0

Section: BODY WORK
WING SIDE PANEL

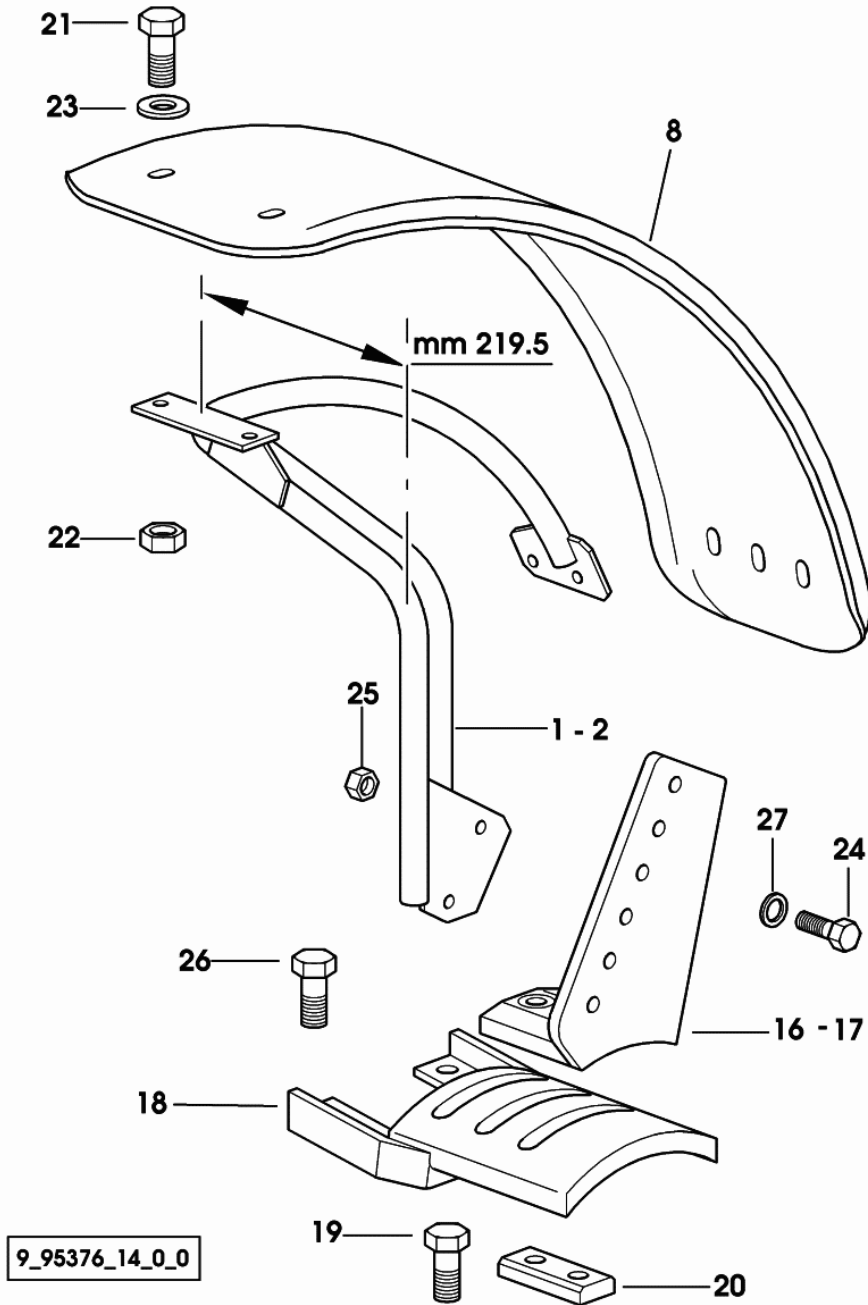
Fig.	Code	QTY	Name
1	04436461	1	division sx/lh/li
2	04425425	1	division dx/rh/re
5	04426352	6	screw m 8 p.1.25 x 20
6	01137362	12	screw m 4.8 x 9,5 d7981
7	04413338	12	stop
9	04418149	10	brace
11	01172794	1	plug 18X12.5X5
13	01107101	6	washer 8.4



9_95376_50_0_0

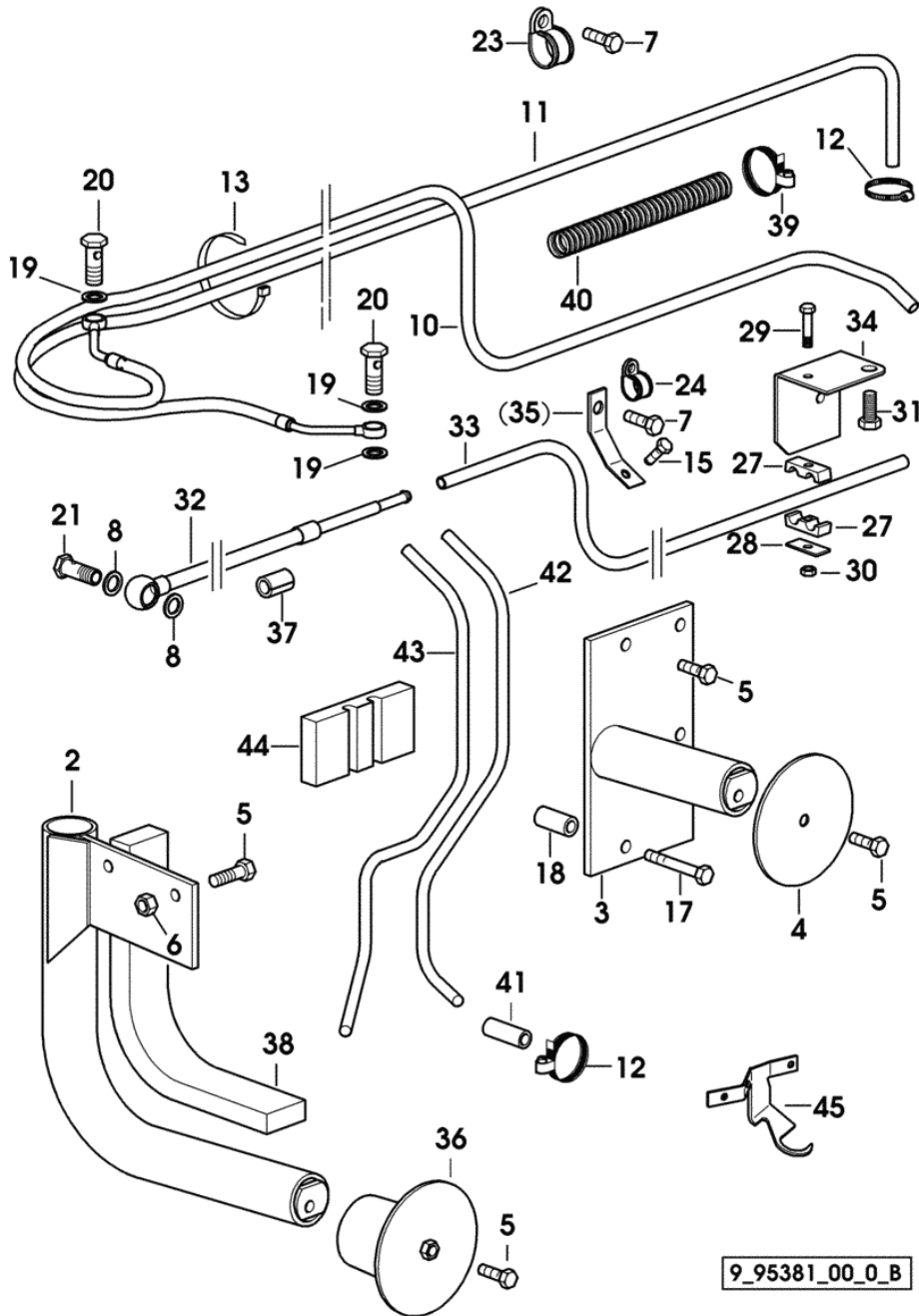
Section: BODY WORK
FRONT MUDGUARDS mm 320

Fig.	Code	QTY	Name
1	04416233	1	support dx/rh/re
2	04416234	1	support sx/lh/li
8	04414848	2	fender mm 320
16	04414845	1	lining dx/rh/re
17	04414844	1	lining sx/lh/li
18	04414847	2	bracket
19	06209288	4	screw m 16 x 55
20	04414866	2	key mm 15
21	01112333	8	screw m 8 x 25, d933
22	01136452	8	nut vm 8 d980
23	02312618	8	washer
24	01124837	4	screw m12x50 d933
25	01125801	4	nut m12 d934-10
26	01112679	8	screw m 16 x 35
27	01174738	8	flat washer 12.5x26x6



Section: BODY WORK
FUEL SYSTEM - TANK

Fig.	Code	QTY	Name
2	04411965	1	support
3	04411085	1	support
4	04413213	1	washer
5	01144473	5	screw m 12 p.1.75x35
6	01112858	2	nut m 12, d934
7	01112307	2	screw m 8 p.1.25 x 15, d933
8	01118700	2	'o' ring Ø 16 x 20
10	04450355	1	tube
11	04450357	1	tube
12	01173965	8	clamp 10-16/9 h3461
13	01173952	10	band
15	01103316	1	screw m 6 p.1.0 x 16
17	01144695	1	screw
18	04411966	1	tube
19	01118688	4	ring 14x17
20	01119246	2	pipe union H 3102 -D10 M
21	01137064	1	pipe union m 16 p.1.5
23	01172635	1	hose clip
24	01172689	1	clamp
27	04418659	2	terminal 12x10
28	01175616	1	small plate
29	01100101	1	screw m 6 x 45
30	01112813	1	nut m 6
31	01112529	1	screw m 12 x 30, d933
32	04450358	1	tube
			1148 <- X Agrotron 106 MK3
			1072 <- X Agrotron 110 MK3
			1188 <- X Agrotron 115 MK3
32	04450504	1	tube
			-> 1149 X Agrotron 106 MK3
			-> 1073 X Agrotron 110 MK3
			-> 1189 X Agrotron 115 MK3
33	04450360	1	tube
34	04428087	1	angular
35	04427946.4	1	console
			(...) <- X Agrotron 106 MK3
			(...) <- X Agrotron 110 MK3
			(...) <- X Agrotron 115 MK3
36	04429298.4	1	stop
37	02382225	1	sleeve
38	04417679	1	ring
39	01172065	4	clamp 4.6 x 146
40	04438399	2	tube
41	04450361	2	tube 9.5x15x55



9_95381_00_0_B

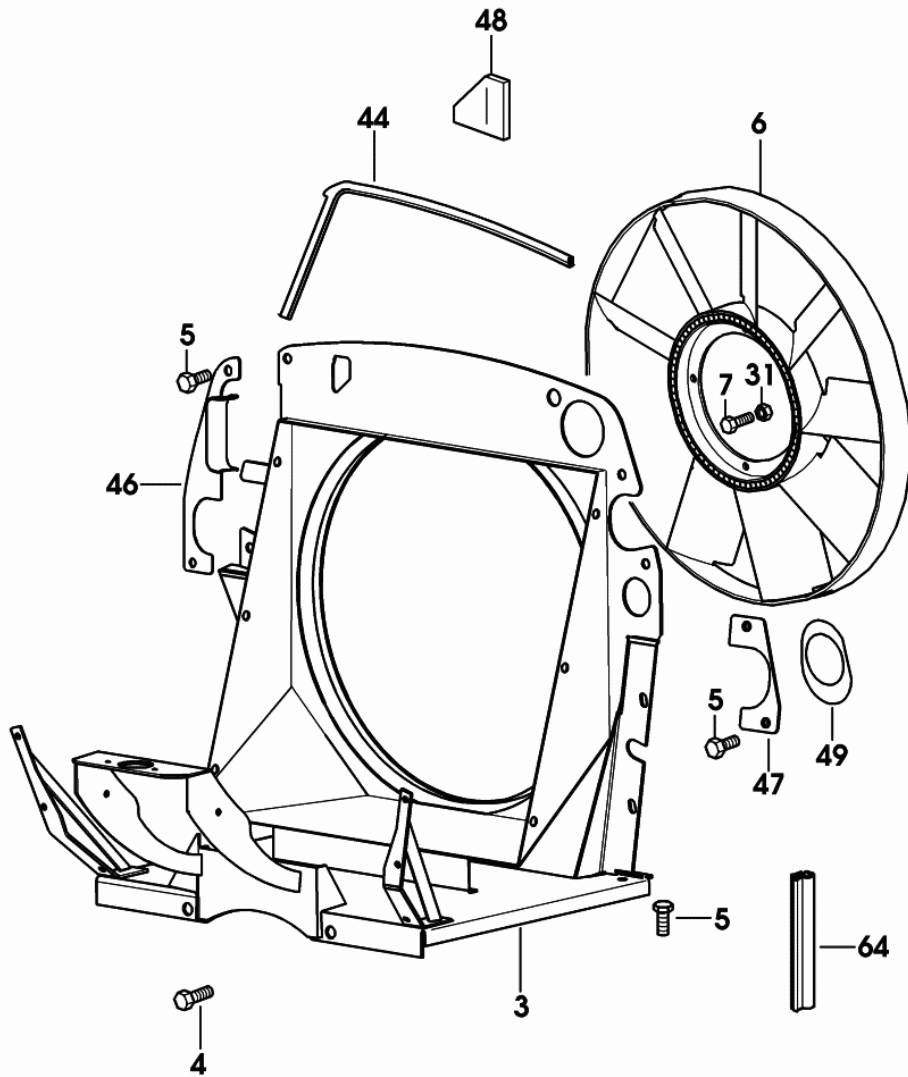
Section: BODY WORK
COOLING SYSTEM

Fig.	Code	QTY	Name
------	------	-----	------

Notes:

-> 1062 X Agrotron 110 MK3

3	04425390.4	1	plate
4	01112502	2	screw m 12 x 20
5	01144692	13	screw m 8 p.1.25 x 20
6	04411970	1	impeller
7	01103316	4	screw m 6 p.1.0 x 16
31	01112813	4	nut m 6
44	04424576	1	profile
46	04450644.4	1	hose clip
47	04424014	1	guard
48	04424062	1	ring
49	04424069	2	washer
64	04419561	2	gasket mm 150

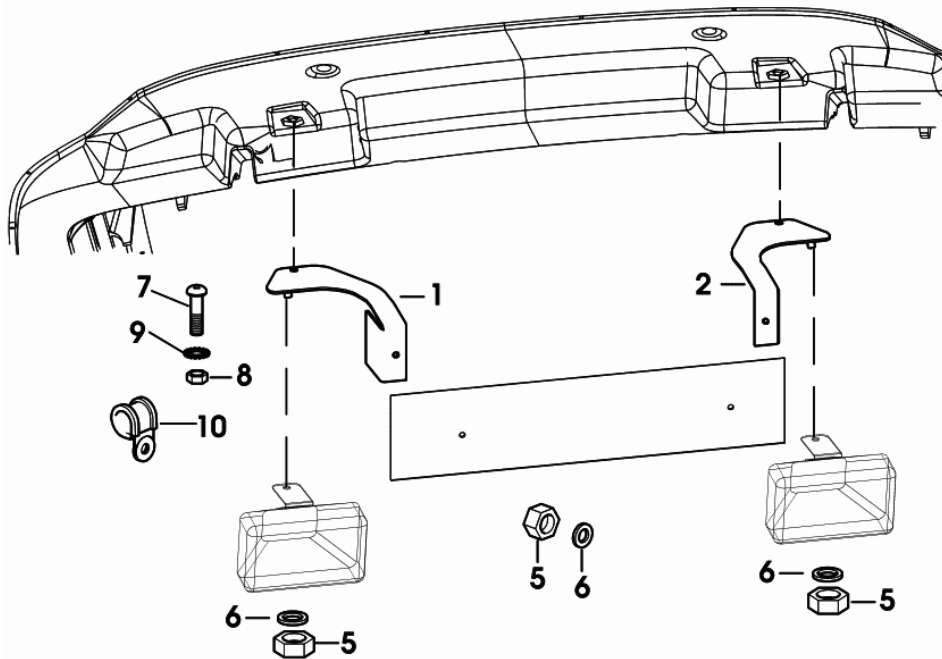


9_95483_00_0_B

Section: BODY WORK

FRONT NUMBER PLATE BRACKET

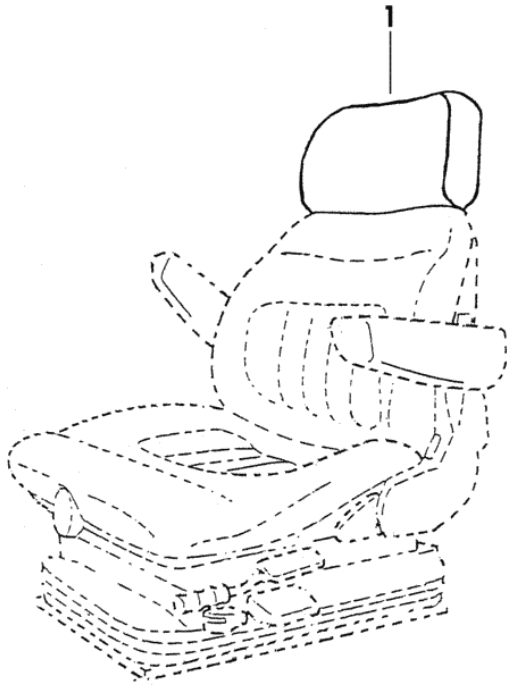
Fig.	Code	QTY	Name
1	04452051	1	support sx/lh/li
2	04452050	1	support dx/rh/re
5	01112824	4	nut m 8, d934
6	01126330	4	washer
7	01103316	2	screw m 6 p.1.0 x 16
8	01112813	2	nut m 6
9	01102797	2	washer 6, d128
10	01173143	2	clamp 4,6x280



9_95076_62_0_0

HEAD REST

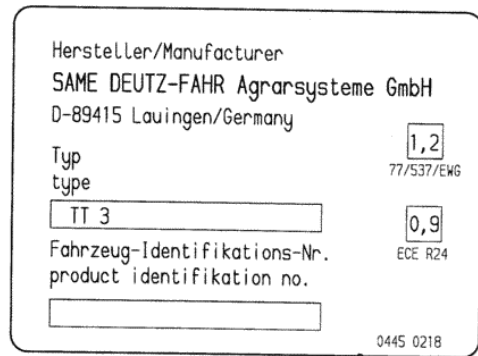
Fig.	Code	QTY	Name
1	04429748.4	1	embroiderhead



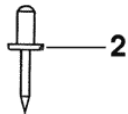
9_95075_10_0_0

MODEL PLATE

Fig.	Code	QTY	Name
1	04450218	1	number plate
2	01176113	2	rivet



1

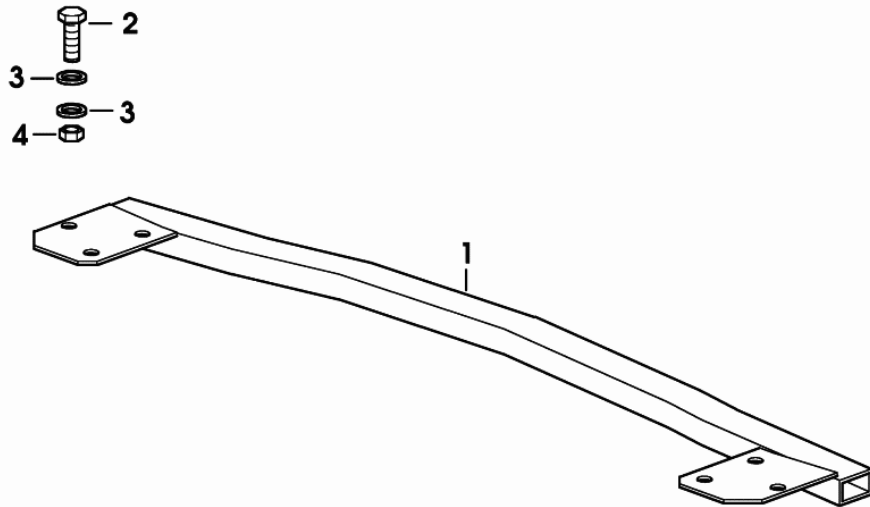


9_95374_24_0_0

Section: CAB

TRACTOR LINKAGE DRAWBAR

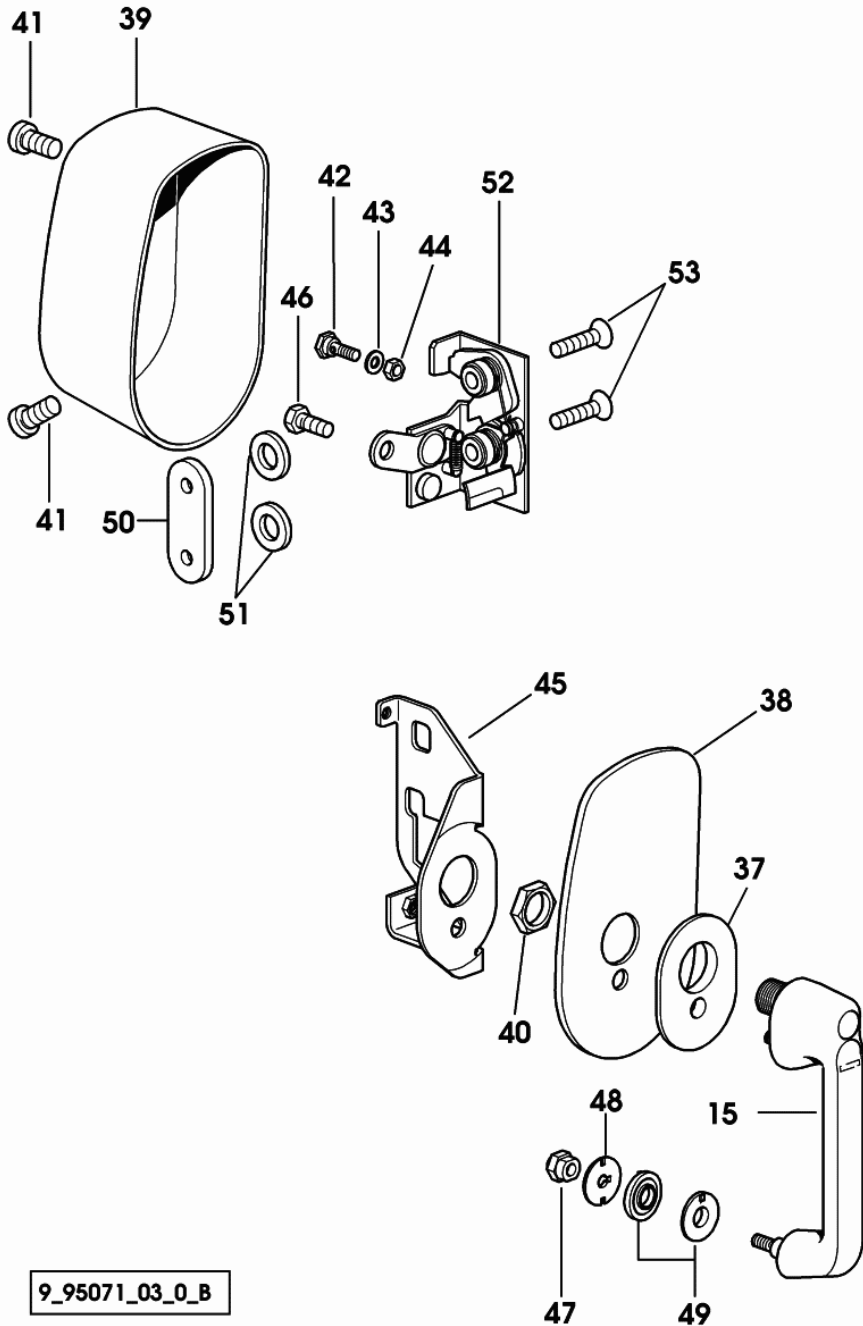
Fig.	Code	QTY	Name
1	04429674.4	1	crosspiece
2	01112515	6	screw m 12 x 25
3	01107110	12	washer 13.5
4	01112858	6	nut m 12, d934



9_95071_01_0_0

Section: CAB
CAB DOOR sx/lh/li

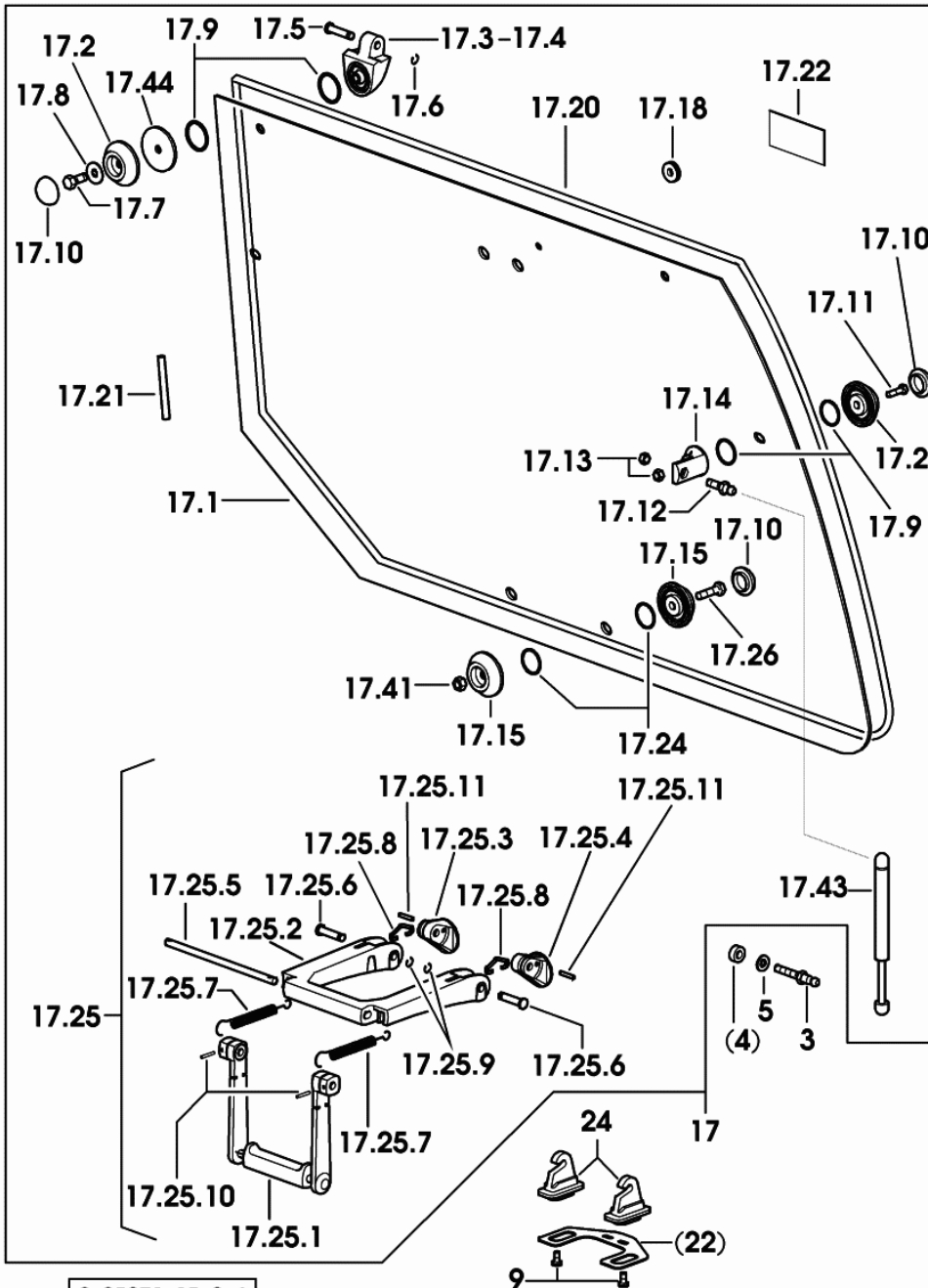
Fig.	Code	QTY	Name
15	0.013.0217.4	1	handle COMPONENT PARTS SEE COMPONENTS LIST ☞ 0.013.0217.4 ☞ 0B.00.33
37	04412845	1	stop
38	04413565	1	gasket
39	04438158	1	cover
40	04416537	1	nut m 28 x 1
41	04413811	2	screw m 6 p.1.0 x 16
42	04413581	1	screw
43	01151664	1	washer 6.4
44	01112813	1	nut m 6
45	04416206.4	1	bracket sx/lh/li
46	01144692	1	screw m 8 p.1.25 x 20
47	04412846	1	union nut
48	04413572	1	washer
49	04413571	2	disc
50	04412840	1	small plate
51	04412841/10	2	washer
52	04419673	1	lock sx/lh/li
53	04413568	2	screw m 8 x 35



9_95071_03_0_B

Section: CAB

REAR HATCH WITH WIPER



9_95071_15_0_A

Fig.	Code	QTY	Name
17.25.6	2.1699.240.2	2	pin 8 x 35
17.25.7	2.4049.170.2	2	spring
17.25.8	0.009.0689.0	2	clevis
17.25.9	2.1430.007.7	2	circlip 6, d128
17.25.10	2.1630.210.9	2	pin 3 x 20
17.25.11	2.1650.309.0	2	pin 4 x 20
17.26	01112341	2	screw m 8 x 30, d933
			1305 <- X Agrotron 106 MK3
			1128 <- X Agrotron 110 MK3
			1324 <- X Agrotron 115 MK3
17.26	04423526	2	screw m 8 x 40
			-> 1306 X Agrotron 106 MK3
			-> 1129 X Agrotron 110 MK3
			-> 1325 X Agrotron 115 MK3
17.41	2.1040.105.7	2	nut m 8
17.43	04415239	2	shoch.absorber
17.44	2.1499.197.0	4	gasket 16x44x3
24	04431844	2	clevis

Section: CAB
CAB INTERIOR TRIM

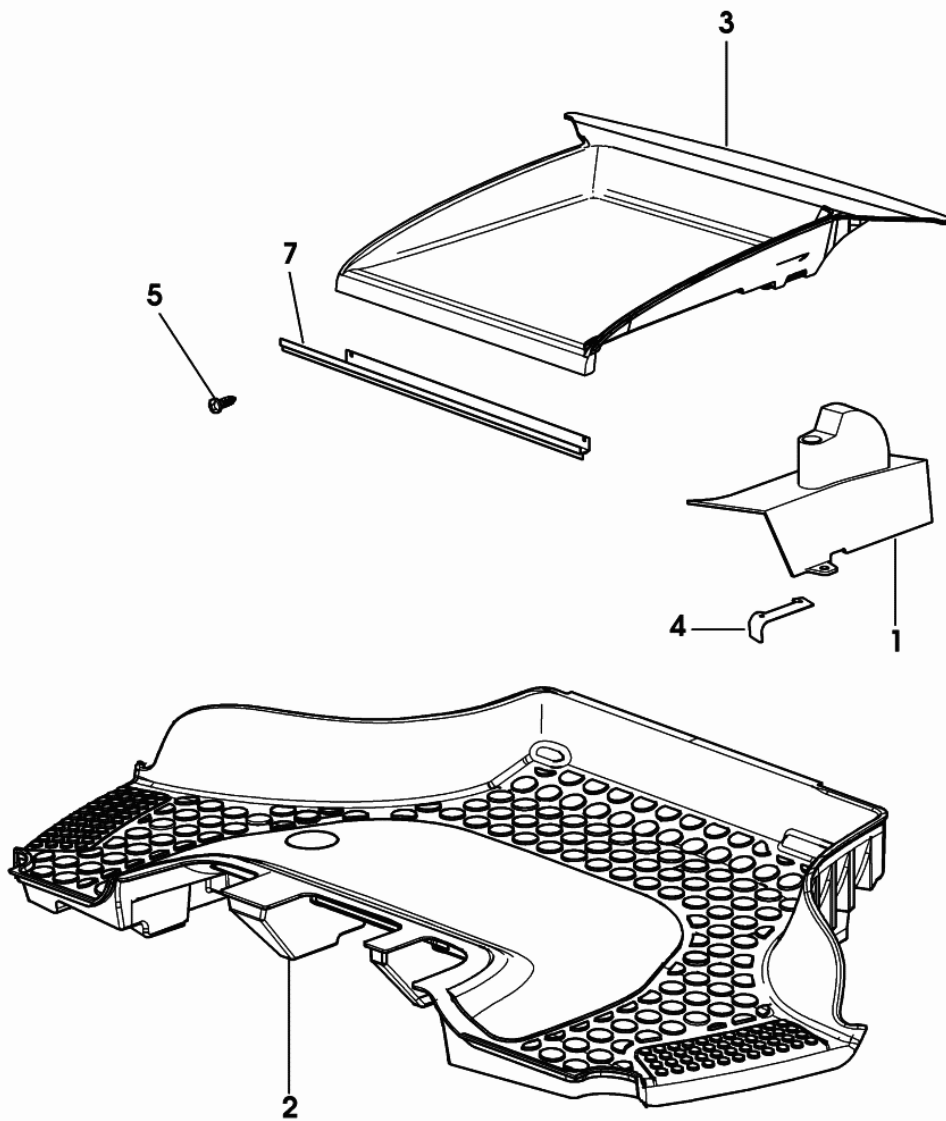


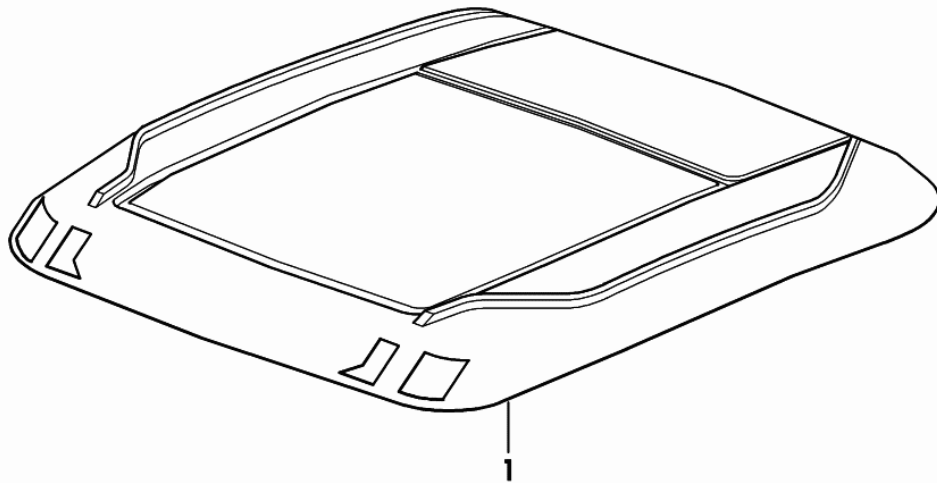
Fig.	Code	QTY	Name
1	04429291	1	cover
2	04429038/10	1	small carpet
3	04429039	1	small carpet
4	04429729	1	bracket
5	04426906	2	screw 4.2x16
7	04429938	1	channel

9_95371_22_0_0

Section: CAB

ROOF WITHOUT SKYLIGHT

Fig.	Code	QTY	Name
1	04424630	1	roof



9_95071_60_0_0

Section: CAB

CAB ROOF "HIGHT VISIBILITY"

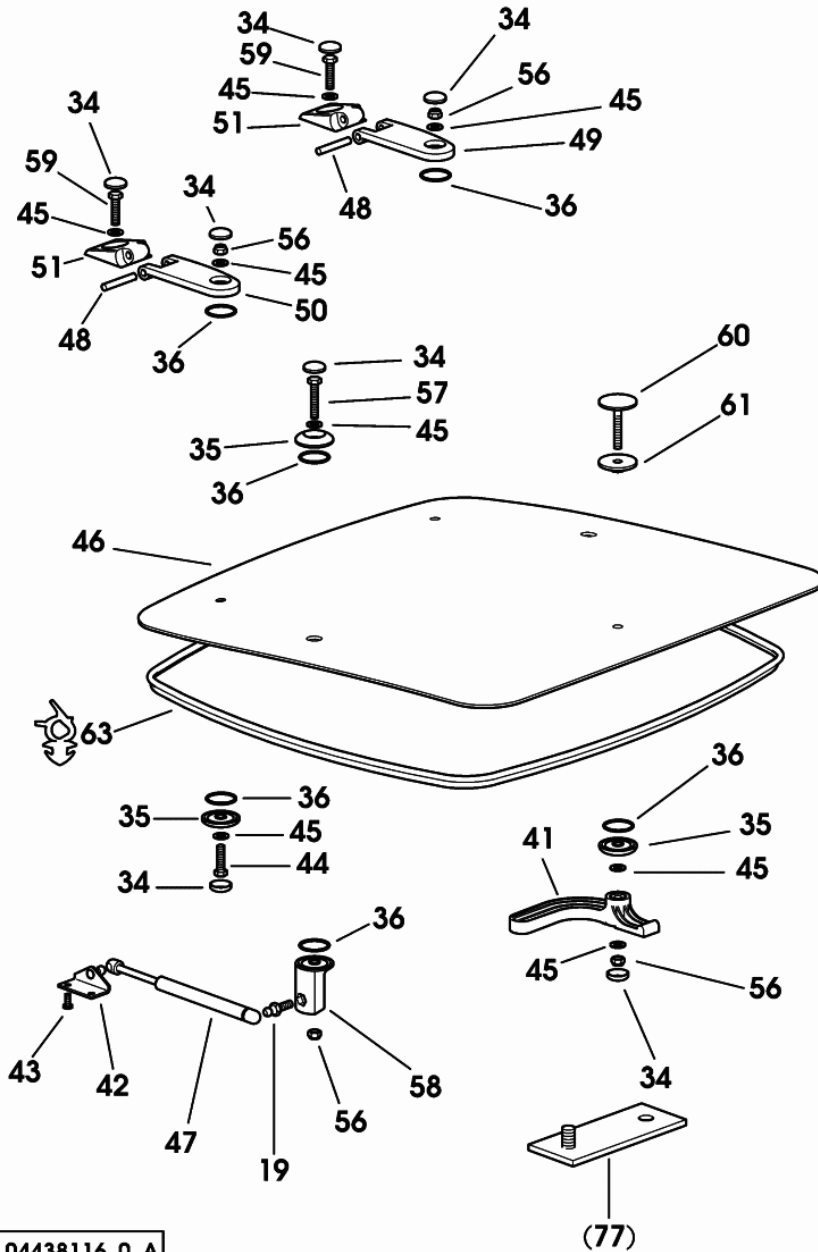


Fig.	Code	QTY	Name
19	04399070	2	ball joint
34	04413793	9	cap
35	04429423	4	washer
36	2.1530.078.0	9	'o' ring 29.74x3.53
41	0.010.6477.0	1	handle
42	0.010.7739.3	2	support
43	2.0361.507.2	4	screw
44	01112341	2	screw m 8 x 30, d933
45	2.1312.004.2	10	washer 8.4
46	0.010.6476.0/10	1	window glass
47	04414159	2	shoch.absorber
48	2.1699.486.2	2	pin
49	0.010.7525.0	1	hinge dx/rh/re
50	0.010.6479.0	1	hinge sx/lh/li
51	0.010.6480.0	2	hinge
56	01104944	8	nut m 8, d985
57	01124457	2	screw m 8 x 45
58	0.010.7738.0/10	2	support
59	2.0112.211.2	2	screw m 8 p.1.25 x 30
60	0.010.7736.2	1	screw
61	0.010.7737.0	1	gasket
63	0.010.8352.0	1	gasket
77	04450667	2	support

9_04438116_0_A

Section: CAB

AIR CONDITIONING UNIT CONDENSER

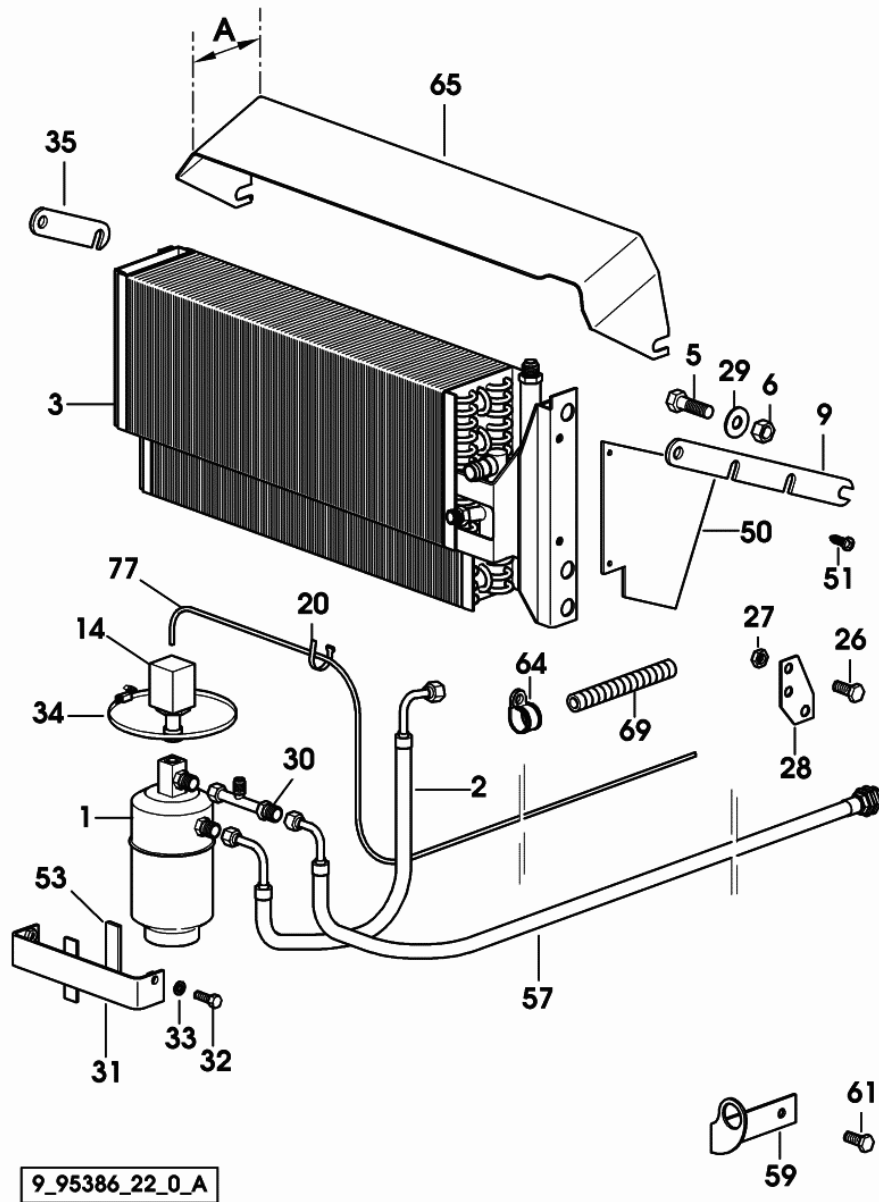
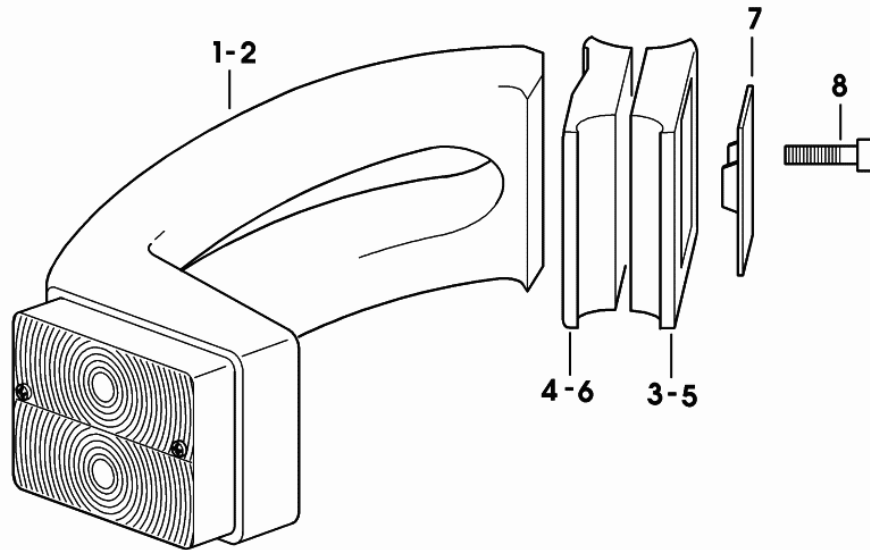


Fig.	Code	QTY	Name
1	04425160	1	steel wire
2	04425700	1	piping
3	04423008	1	condenser
			1244 <- X Agrotron 106 MK3
			1085 <- X Agrotron 110 MK3
			1210 <- X Agrotron 115 MK3
3	0.011.9092.3	1	condenser
			-> 1245 X Agrotron 106 MK3
			-> 1086 X Agrotron 110 MK3
			-> 1211 X Agrotron 115 MK3
5	01126186	6	screw m 10 x 16
6	01136453	5	nut m 10
9	04419326	1	small plate
14	04423185	1	pressure switch
20	01176435	8	clamp
26	01112439	2	screw m 10 x 35, d933
27	01102659	2	nut m 10, d934
28	04412948	2	small plate
29	01107105	7	washer 10.5
30	04425156.4	1	connection
31	04423009.4	1	support
32	01112240	2	screw m 6 x 12
33	01103954	2	spring disc
34	04419371	2	hose clip
35	04412946	1	plate
50	04422709	2	plate
51	04413745	4	screw 4.8x13
53	01395781	0	gasket
57	04425153.4	1	tube
59	04429996	1	support
61	01112307	2	screw m 8 p.1.25 x 15, d933
			(...) <- X Agrotron 106 MK3
			(...) <- X Agrotron 110 MK3
			(...) <- X Agrotron 115 MK3
61	01112307	3	screw m 8 p.1.25 x 15, d933
			-> (...) X Agrotron 106 MK3
			-> (...) X Agrotron 110 MK3
			-> (...) X Agrotron 115 MK3
64	01220008	2	hose clip B10X20
65	04426351	1	lamination
			1244 <- X Agrotron 106 MK3
			1086 <- X Agrotron 110 MK3
			1210 <- X Agrotron 115 MK3
			- A = mm 93.5

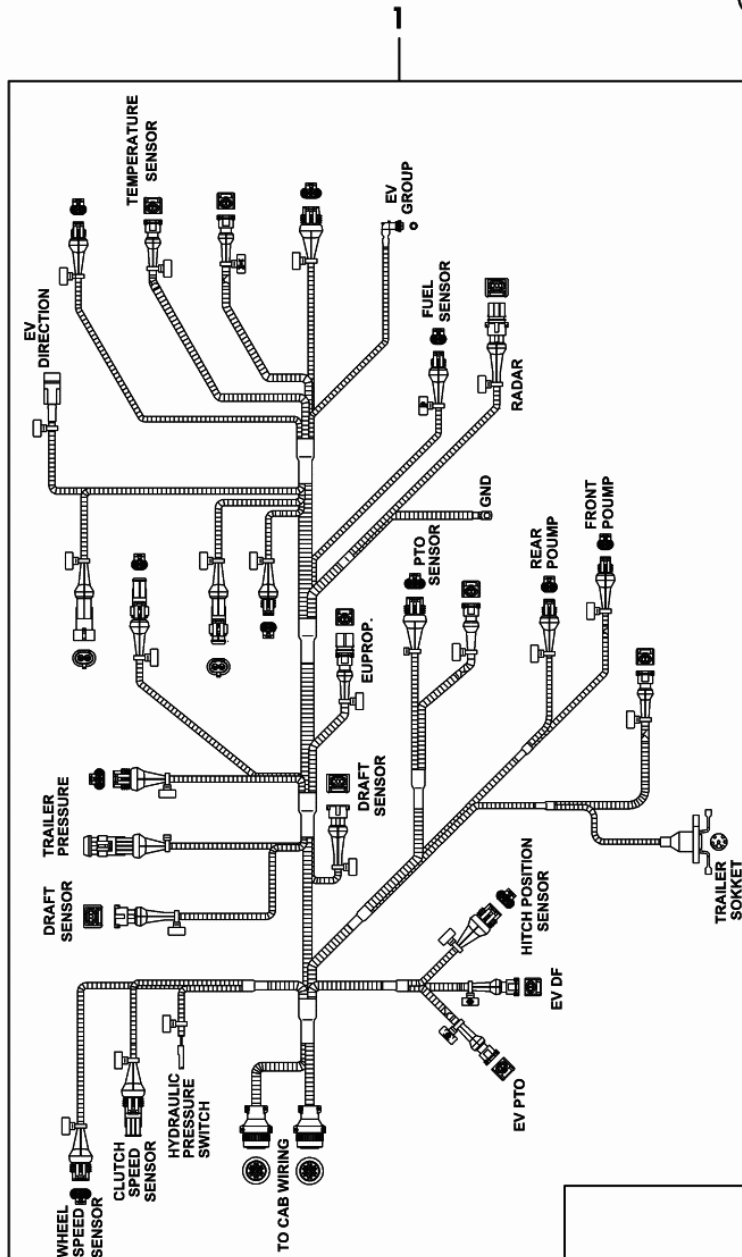
ELECTRIC LIGHTING SYSTEM

Fig.	Code	QTY	Name
1	04411920.4	1	lamp sx/lh/li COMPONENT PARTS SEE COMPONENTS LIST ☞ 04411920.4 ☞ 08.00.25
2	04411921.4	1	lamp dx/rh/re COMPONENT PARTS SEE COMPONENTS LIST ☞ 04411921.4 ☞ 08.00.26
3	04413186	1	guard sx/lh/li
4	04413187	1	guard sx/lh/li
5	04413188	1	guard dx/rh/re
6	04413189	1	guard dx/rh/re
7	04413190	2	diaphragm
8	04414580	6	screw m 8 x 30



9_95371_30_0_A

Section: ELECTRIC AL SYSTEM
GEARBOX ELECTRICAL SYSTEM



9_95384_02_0_0

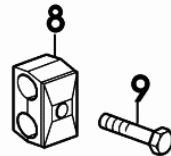
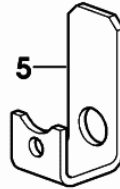
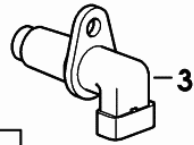


Fig.	Code	QTY	Name
1	04437848/20	1	electrical system
2	01176435	8	clamp
3	04438352	1	position sensor
4	04415865	1	screw m 8
5	04418427	1	bracket
6	04325384	1	clamp 19 x 23
			1725 <- X Agrotron 106 MK3
			1293 <- X Agrotron 110 MK3
			1787 <- X Agrotron 115 MK3
6	04327529	2	hose clip 10,7
			-> 1726 X Agrotron 106 MK3
			-> 1294 X Agrotron 110 MK3
			-> 1788 X Agrotron 115 MK3
7	01102659	2	nut m 10, d934
8	06258670	1	terminal d 25/25
9	2.0112.222.2	1	screw m 8 p.1.25x65

BATTERY SUPPORT AND LEADS

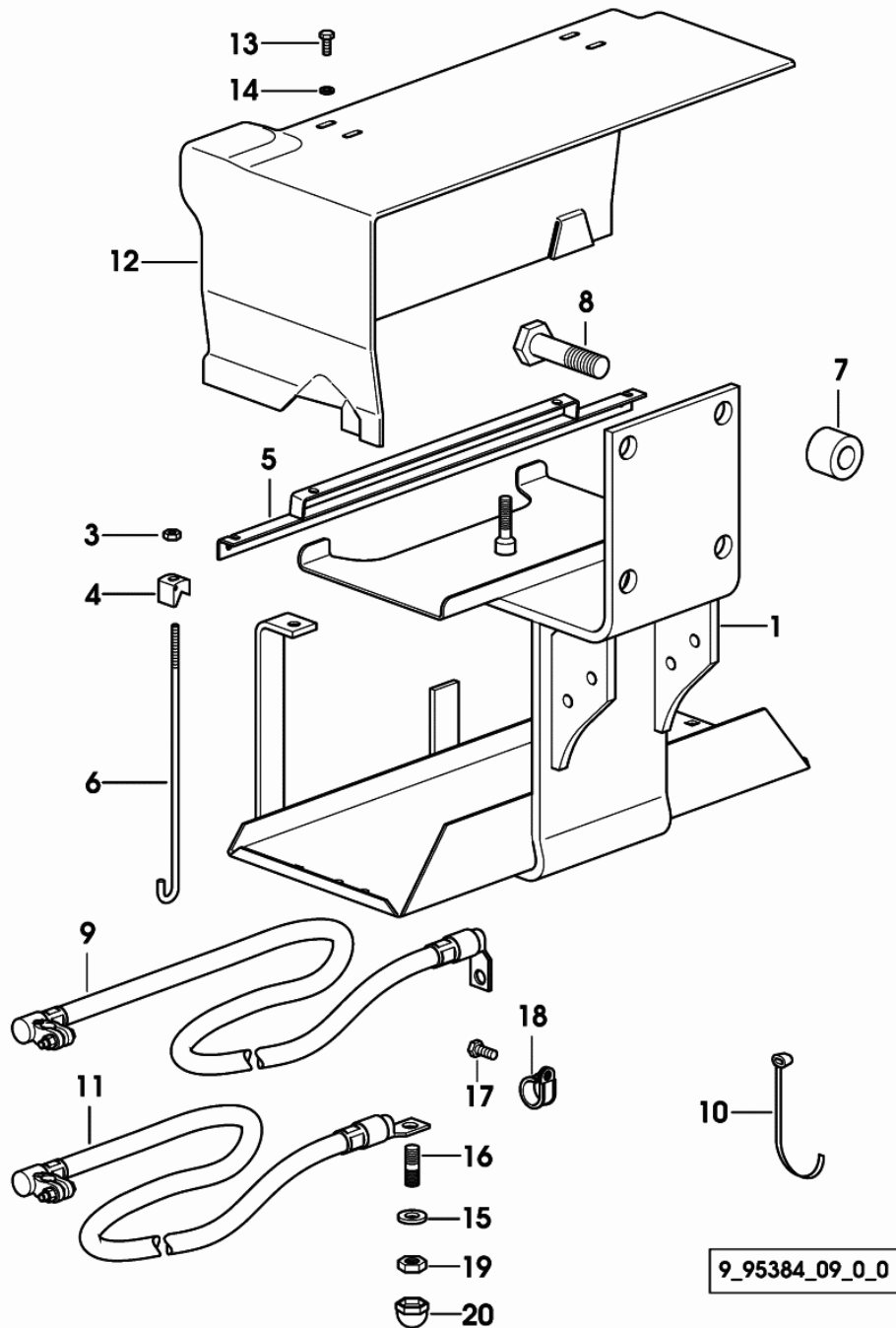


Fig.	Code	QTY	Name
1	04428852.4	1	battery support
3	01112813	2	nut m 6
4	04308811	2	support
5	04417869.4	1	rail
6	04314920	2	screw
7	04427061	4	bushing 20.5x40x30
8	01137619	4	screw m20x70
9	04422156	1	wire (+)
10	01176435	1	clamp
11	0.012.4029.4	1	wire (-)
12	04415880	1	cover
13	01103316	2	screw m 6 p.1.0 x 16
14	01151664	2	washer 6.4
15	01117872	1	lock washer
16	01113559	1	stud bolt m 12 x 35
17	01112322	1	screw m 8 p.1.25 x 20
18	01173182	1	clamp
19	01112858	1	nut m 12, d934
20	01174048	1	nut m 12 p.1,75

Section: ELECTRIC AL SYSTEM
ELECTRONICS BOX

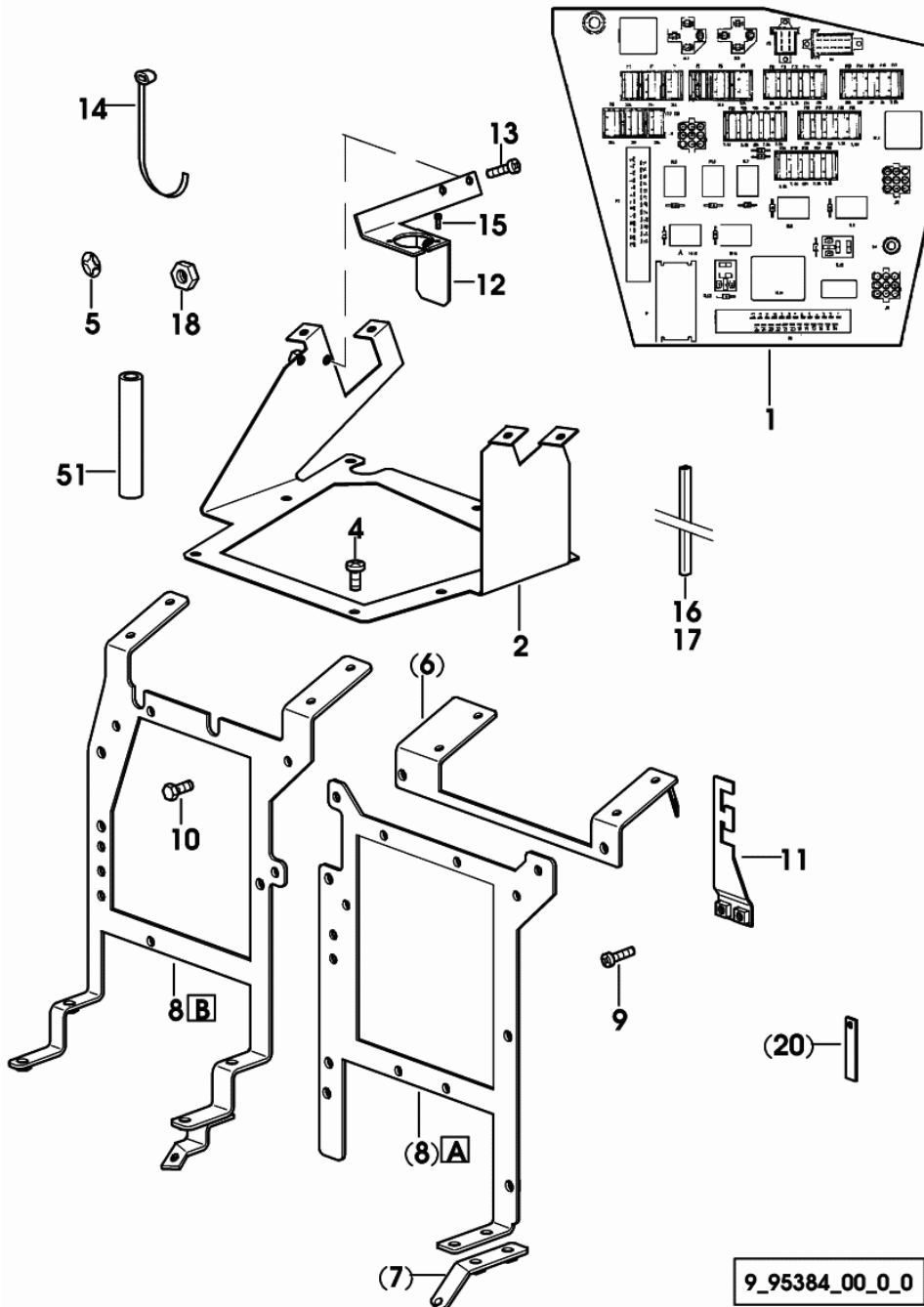


Fig.	Code	QTY	Name
1	9.94684.60.0	1	fuse-holder 1996 <- X Agrotron 106 MK3 1497 <- X Agrotron 110 MK3 2517 <- X Agrotron 115 MK3 COMPONENT PARTS ☞ 0.013.4600.4 ☞ 08.00.31
1	04419533.4/10	1	electronic unit -> 1997 X Agrotron 106 MK3 -> 1498 X Agrotron 110 MK3 -> 2518 X Agrotron 115 MK3 COMPONENT PARTS ☞ 04419533.4/10 ☞ 08.00.32
2	04429360.4	1	support
4	01100595	9	screw m 5x8
5	04414078	20	nut
6	04429837/10	1	support 1228 <- X Agrotron 106 MK3 1070 <- X Agrotron 110 MK3 1177 <- X Agrotron 115 MK3
7	04429698	1	support 1228 <- X Agrotron 106 MK3 1070 <- X Agrotron 110 MK3 1177 <- X Agrotron 115 MK3
8	04429823/20	1	support 1228 <- X Agrotron 106 MK3 1070 <- X Agrotron 110 MK3 1177 <- X Agrotron 115 MK3 - A
8	0.012.5742.3/20	1	support -> 1229 X Agrotron 106 MK3 -> 1071 X Agrotron 110 MK3 -> 1178 X Agrotron 115 MK3 - B
9	04412976	10	screw 4.8x19
10	04429754	6	screw m 6 p.1.0 x 16 1228 <- X Agrotron 106 MK3 1070 <- X Agrotron 110 MK3 1177 <- X Agrotron 115 MK3
10	04429754	2	screw m 6 p.1.0 x 16 -> 1229 X Agrotron 106 MK3 -> 1071 X Agrotron 110 MK3 -> 1178 X Agrotron 115 MK3

Agrotron 110 MK3 -> 8090

ENGINE

GENERAL

EXHAUST SILENCER..... 01.00.1

Crankcase

PISTON COOL.NOZZLE..... 01.01.1

FASTENINGS..... 01.01.2

FILLER CAP..... 01.01.3

OIL FILLER NECK..... 01.01.4

BLEEDING TUBE..... 01.01.5

CRANKCASE BREATHER..... 01.01.6

FRONT COVER..... 01.01.7

CRANKCASE..... 01.01.8

CRANKCASE..... 01.01.9

Oil pan

OIL PAN..... 01.02.1

Crankshaft

VIBRATION DAMPER..... 01.05.1

FASTENINGS..... 01.05.2

FLYWHEEL..... 01.05.3

ACCESSORIES..... 01.05.4

CRANKSHAFT..... 01.05.5

V-GROOVED PULLEY..... 01.05.6

V-GROOVED PULLEY..... 01.05.7

Connecting rod

CONNECTING ROD..... 01.06.1

Piston

PISTON..... 01.07.1

Cylinder head

ENGINE MOUNTING..... 01.08.1

ENGINE MOUNTING..... 01.08.1

ROCKER ARMS COVER..... 01.08.2

FASTENINGS..... 01.08.3

CYLINDER HEAD..... 01.08.4

ENGINE MOUNTING..... 01.08.5

Timing chest

GEARCASE..... 01.09.1

GEARCASE..... 01.09.2

Camshaft

CAMSHAFT..... 01.10.1

Timing gears

ROCKER ARM BRACKET..... 01.11.1

VALVE DRIVE..... 01.11.2

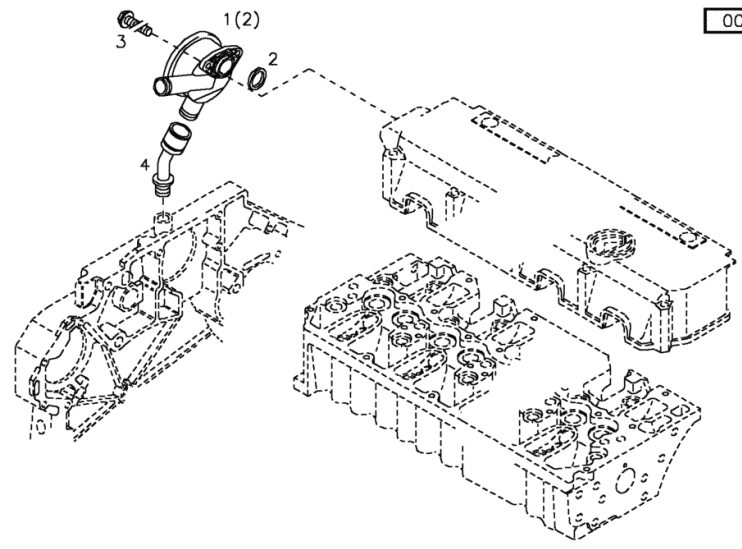
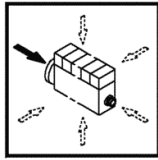
Section: ENGINE
CRANKCASE BREATHER

Fig.	Code	QTY	Name
------	------	-----	------

Engine Serial Numbers:

575681 575682 584164 594458 594459 594460 603277 608983 608984 611279 611280 611281 611282 611283
 611284 611285 611286 611287 611288 616861 620554 621043 624130 624131 624132 624133 624134 624135
 624136 624137 624138 629922 629923 629924 629925 629926 629927 629928 629929 629930 629931 629932
 629933 629934 629935 629936 629937 629938 629939 637119 637120 637121 637122 637123 637124 637125
 637126 637127 637128 637129 637130 637131 637132 637133 644114 644115 644116 644117 644118 644119
 644120 644121 644122 644123 652276 652277 652278 652279 652280 653779 653780 653781 653782 653783
 653784 653785 654841 654842 661567 661568 661569 661570 661571 661572 661573 662382 662383 662384
 662385 662386 662387 662388 662954 662955 662956 662957 662958 662959 662960 662961 662962 662963
 662964 662965 662966 663008 663009 663010 663011 663012 663013 663014 663015 663016 663017 663018
 663019 663020 663021 663022 663023 663024 663025 663026 663027 663028 663029 663030 663031 672221
 672222 672223 675905 675906 675907 680607 680608 680609 680610 680611 680612 680613 680614 683712
 683713 683714 683715 683716 683717 683718 691800 691801 691802 691803 692621 692622 692623 692624
 698699 698700 698701 698702 698703 698704 698705 702740 702741 702742 702743 702744 707897 707898
 707899 707900 707901 707902 707903 707904 716432 716433 716434 716435 716436 718443 733965 733966
 733967 734071 740943 740944 740945 740946 740947 740948 740949 740950 740951 740952 741961 741962
 741963 741964 741965 741966 741967 741968 741969 741970 741971 741972 741973 741974 741975 745209
 745210 745211 745212 745213 745214 745215 745216 745217 746074 746075 746076 746077 746078 746079
 746080 746081 746082 746083 751685 751686 751687 751688 751689 751690 751691 751692 751693 751694
 751695 751696 751697 751698 751699 751700 756479 756480 756481 756482 758006 758007 758008 758009
 758010 758011 758012 758013 758014 758015 758016 758017 758018 758019 758020 758021 758022 758023
 758024 758025 758026 758027 758028 772340 772341 772342 772343 772344 772345 772346 772347 772348
 772349 772350 772351 772352 772353 772354 772355 772356 772357 772358 772359 772360 772361 774592
 774593 774594 774595 774596 774597 774598 774599 774600 794641 794642 794643 794644 794645 794646
 794647 795204 795205 795206 795207 799267 799268 799269 799270 799271 799272 799273 799274 799275
 799276 799277 799278 799279 799280 799281 803826 803827 803828 803829 803830 803831 803832 807414
 807415 807416 807417 807418 807419 807420 807421 807422 807423 807424 807425 807426 807427 807428
 809701 809702 809703 809704 809705 809706 809707 809708 809709 809710 809711 809712 809713 809714
 809715 815714 815715 815716 815717 815718 815719 815720 815721 815722 821373 821374 821375 821376
 821377 821378 821379 821380 821381 821382 821383 821860 821861 821862 821863 821864 821865 821866
 821867 821868 821869 838766 838767 838768 838769 839711 839712 842101 843941 843942

002 ©



1	04203321	1	valve WITH ITEM (2)
2	04206233	1	gasket
3	01179292	2	screw EN 1662 -F-M6X20-10.9-A4C
4	04207290	1	piping

CLICK HERE TO **DOWNLOAD** THE COMPLETE MANUAL

- Thank you very much for reading the preview of the manual.
- You can download the complete manual from: www.heydownloads.com by clicking the link below



- Please note: If there is no response to CLICKING the link, please download this PDF first and then click on it.

CLICK HERE TO **DOWNLOAD** THE COMPLETE MANUAL

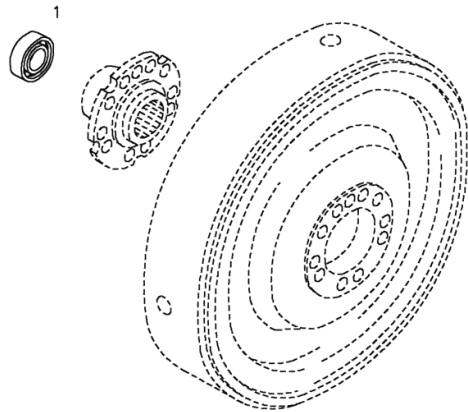
Section: ENGINE
ACCESSORIES

Fig.	Code	QTY	Name
------	------	-----	------

Engine Serial Numbers:

575681 575682 584164 594458 594459 594460 603277 608983 608984 611279 611280 611281 611282 611283
 611284 611285 611286 611287 611288 616861 620554 621043 624130 624131 624132 624133 624134 624135
 624136 624137 624138 629922 629923 629924 629925 629926 629927 629928 629929 629930 629931 629932
 629933 629934 629935 629936 629937 629938 629939 637119 637120 637121 637122 637123 637124 637125
 637126 637127 637128 637129 637130 637131 637132 637133 644114 644115 644116 644117 644118 644119
 644120 644121 644122 644123 652276 652277 652278 652279 652280 653779 653780 653781 653782 653783
 653784 653785 654841 654842 661567 661568 661569 661570 661571 661572 661573 662382 662383 662384
 662385 662386 662387 662388 662954 662955 662956 662957 662958 662959 662960 662961 662962 662963
 662964 662965 662966 663008 663009 663010 663011 663012 663013 663014 663015 663016 663017 663018
 663019 663020 663021 663022 663023 663024 663025 663026 663027 663028 663029 663030 663031 672221
 672222 672223 675905 675906 675907 680607 680608 680609 680610 680611 680612 680613 680614 683712
 683713 683714 683715 683716 683717 683718 691800 691801 691802 691803 692621 692622 692623 692624
 698699 698700 698701 698702 698703 698704 698705 702740 702741 702742 702743 702744 707897 707898
 707899 707900 707901 707902 707903 707904 716432 716433 716434 716435 716436 718443 733965 733966
 733967 734071 740943 740944 740945 740946 740947 740948 740949 740950 740951 740952 741961 741962
 741963 741964 741965 741966 741967 741968 741969 741970 741971 741972 741973 741974 741975 745209
 745210 745211 745212 745213 745214 745215 745216 745217 746074 746075 746076 746077 746078 746079
 746080 746081 746082 746083 751685 751686 751687 751688 751689 751690 751691 751692 751693 751694
 751695 751696 751697 751698 751699 751700 756479 756480 756481 756482 758006 758007 758008 758009
 758010 758011 758012 758013 758014 758015 758016 758017 758018 758019 758020 758021 758022 758023
 758024 758025 758026 758027 758028 772340 772341 772342 772343 772344 772345 772346 772347 772348
 772349 772350 772351 772352 772353 772354 772355 772356 772357 772358 772359 772360 772361 774592
 774593 774594 774595 774596 774597 774598 774599 774600 794641 794642 794643 794644 794645 794646
 794647 795204 795205 795206 795207 799267 799268 799269 799270 799271 799272 799273 799274 799275
 799276 799277 799278 799279 799280 799281 803826 803827 803828 803829 803830 803831 803832 807414
 807415 807416 807417 807418 807419 807420 807421 807422 807423 807424 807425 807426 807427 807428
 809701 809702 809703 809704 809705 809706 809707 809708 809709 809710 809711 809712 809713 809714
 809715 815714 815715 815716 815717 815718 815719 815720 815721 815722 821373 821374 821375 821376
 821377 821378 821379 821380 821381 821382 821383 821860 821861 821862 821863 821864 821865 821866
 821867 821868 821869 838766 838767 838768 838769 839711 839712 842101 843941 843942

000 ©



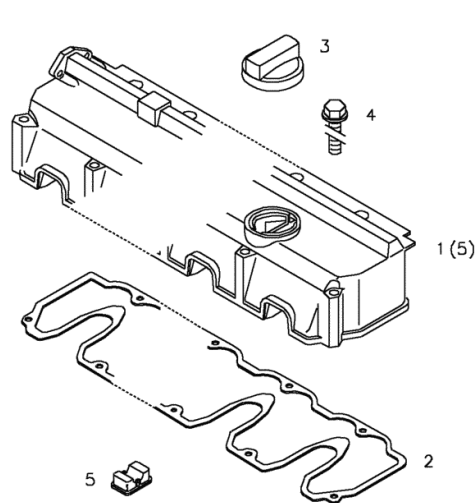
1	01136432	1	ball bearing DIN 625 -6304-2RS1
---	----------	---	------------------------------------

Section: ENGINE
ROCKER ARMS COVER

Fig.	Code	QTY	Name
------	------	-----	------

Engine Serial Numbers:

575681 575682 584164 594458 594459 594460 603277 608983 608984 611279 611280 611281 611282 611283
 611284 611285 611286 611287 611288 616861 620554 621043 624130 624131 624132 624133 624134 624135
 624136 624137 624138 629922 629923 629924 629925 629926 629927 629928 629929 629930 629931 629932
 629933 629934 629935 629936 629937 629938 629939 637119 637120 637121 637122 637123 637124 637125
 637126 637127 637128 637129 637130 637131 637132 637133 644114 644115 644116 644117 644118 644119
 644120 644121 644122 644123 652276 652277 652278 652279 652280 653779 653780 653781 653782 653783
 653784 653785 654841 654842 661567 661568 661569 661570 661571 661572 661573 662382 662383 662384
 662385 662386 662387 662388 662954 662955 662956 662957 662958 662959 662960 662961 662962 662963
 662964 662965 662966 663008 663009 663010 663011 663012 663013 663014 663015 663016 663017 663018
 663019 663020 663021 663022 663023 663024 663025 663026 663027 663028 663029 663030 663031 672221
 672222 672223 675905 675906 675907 680607 680608 680609 680610 680611 680612 680613 680614 683712
 683713 683714 683715 683716 683717 683718 691800 691801 691802 691803 692621 692622 692623 692624
 698699 698700 698701 698702 698703 698704 698705 702740 702741 702742 702743 702744 707897 707898
 707899 707900 707901 707902 707903 707904 716432 716433 716434 716435 716436 718443 733965 733966
 733967 734071 740943 740944 740945 740946 740947 740948 740949 740950 740951 740952 741961 741962
 741963 741964 741965 741966 741967 741968 741969 741970 741971 741972 741973 741974 741975 745209
 745210 745211 745212 745213 745214 745215 745216 745217 746074 746075 746076 746077 746078 746079
 746080 746081 746082 746083 751685 751686 751687 751688 751689 751690 751691 751692 751693 751694
 751695 751696 751697 751698 751699 751700 756479 756480 756481 756482 758006 758007 758008 758009
 758010 758011 758012 758013 758014 758015 758016 758017 758018 758019 758020 758021 758022 758023
 758024 758025 758026 758027 758028 772340 772341 772342 772343 772344 772345 772346 772347 772348
 772349 772350 772351 772352 772353 772354 772355 772356 772357 772358 772359 772360 772361 774592
 774593 774594 774595 774596 774597 774598 774599 774600 794641 794642 794643 794644 794645 794646
 794647 795204 795205 795206 795207 799267 799268 799269 799270 799271 799272 799273 799274 799275
 799276 799277 799278 799279 799280 799281 803826 803827 803828 803829 803830 803831 803832 807414
 807415 807416 807417 807418 807419 807420 807421 807422 807423 807424 807425 807426 807427 807428
 809701 809702 809703 809704 809705 809706 809707 809708 809709 809710 809711 809712 809713 809714
 809715 815714 815715 815716 815717 815718 815719 815720 815721 815722 821373 821374 821375 821376
 821377 821378 821379 821380 821381 821382 821383 821860 821861 821862 821863 821864 821865 821866
 821867 821868 821869 838766 838767 838768 838769 839711 839712 842101 843941 843942



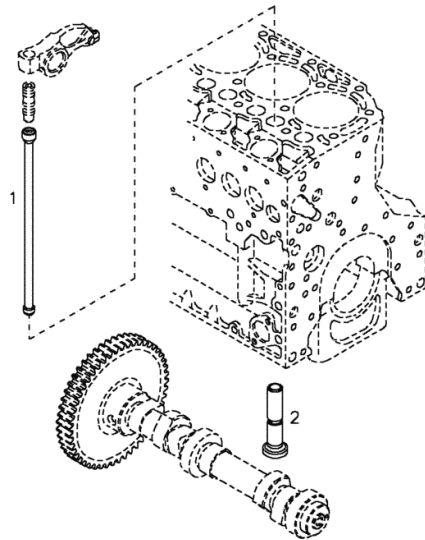
1	04206232	1	cap WITH ITEM (5)
2	04198969	1	gasket
3	01179630	1	plug
4	01181434	13	screw EN 001662-F-M 6 X 75- 10.9-ZNAL-A *
5	04205880	1	cap

Section: ENGINE
VALVE DRIVE

Fig.	Code	QTY	Name
------	------	-----	------

Engine Serial Numbers:

575681 575682 584164 594458 594459 594460 603277 608983 608984 611279 611280 611281 611282 611283
 611284 611285 611286 611287 611288 616861 620554 621043 624130 624131 624132 624133 624134 624135
 624136 624137 624138 629922 629923 629924 629925 629926 629927 629928 629929 629930 629931 629932
 629933 629934 629935 629936 629937 629938 629939 637119 637120 637121 637122 637123 637124 637125
 637126 637127 637128 637129 637130 637131 637132 637133 644114 644115 644116 644117 644118 644119
 644120 644121 644122 644123 652276 652277 652278 652279 652280 653779 653780 653781 653782 653783
 653784 653785 654841 654842 661567 661568 661569 661570 661571 661572 661573 662382 662383 662384
 662385 662386 662387 662388 662954 662955 662956 662957 662958 662959 662960 662961 662962 662963
 662964 662965 662966 663008 663009 663010 663011 663012 663013 663014 663015 663016 663017 663018
 663019 663020 663021 663022 663023 663024 663025 663026 663027 663028 663029 663030 663031 672221
 672222 672223 675905 675906 675907 680607 680608 680609 680610 680611 680612 680613 680614 683712
 683713 683714 683715 683716 683717 683718 691800 691801 691802 691803 692621 692622 692623 692624
 698699 698700 698701 698702 698703 698704 698705 702740 702741 702742 702743 702744 707897 707898
 707899 707900 707901 707902 707903 707904 716432 716433 716434 716435 716436 718443 733965 733966
 733967 734071 740943 740944 740945 740946 740947 740948 740949 740950 740951 740952 741961 741962
 741963 741964 741965 741966 741967 741968 741969 741970 741971 741972 741973 741974 741975 745209
 745210 745211 745212 745213 745214 745215 745216 745217 746074 746075 746076 746077 746078 746079
 746080 746081 746082 746083 751685 751686 751687 751688 751689 751690 751691 751692 751693 751694
 751695 751696 751697 751698 751699 751700 756479 756480 756481 756482 758006 758007 758008 758009
 758010 758011 758012 758013 758014 758015 758016 758017 758018 758019 758020 758021 758022 758023
 758024 758025 758026 758027 758028 772340 772341 772342 772343 772344 772345 772346 772347 772348
 772349 772350 772351 772352 772353 772354 772355 772356 772357 772358 772359 772360 772361 774592
 774593 774594 774595 774596 774597 774598 774599 774600 794641 794642 794643 794644 794645 794646
 794647 795204 795205 795206 795207 799267 799268 799269 799270 799271 799272 799273 799274 799275
 799276 799277 799278 799279 799280 799281 803826 803827 803828 803829 803830 803831 803832 807414
 807415 807416 807417 807418 807419 807420 807421 807422 807423 807424 807425 807426 807427 807428
 809701 809702 809703 809704 809705 809706 809707 809708 809709 809710 809711 809712 809713 809714
 809715 815714 815715 815716 815717 815718 815719 815720 815721 815722 821373 821374 821375 821376
 821377 821378 821379 821380 821381 821382 821383 821860 821861 821862 821863 821864 821865 821866
 821867 821868 821869 838766 838767 838768 838769 839711 839712 842101 843941 843942



000 ©

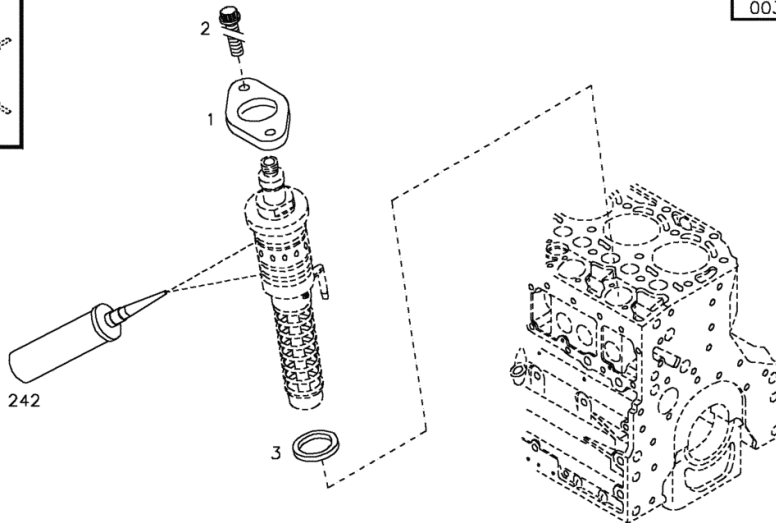
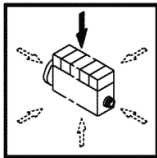
1	04206377	2	rod
2	04251064	2	tappets

Section: ENGINE
FASTENINGS

Fig.	Code	QTY	Name
------	------	-----	------

Engine Serial Numbers:

575681 575682 584164 594458 594459 594460 603277 608983 608984 611279 611280 611281 611282 611283
 611284 611285 611286 611287 611288 616861 620554 621043 624130 624131 624132 624133 624134 624135
 624136 624137 624138 629922 629923 629924 629925 629926 629927 629928 629929 629930 629931 629932
 629933 629934 629935 629936 629937 629938 629939 637119 637120 637121 637122 637123 637124 637125
 637126 637127 637128 637129 637130 637131 637132 637133 644114 644115 644116 644117 644118 644119
 644120 644121 644122 644123 652276 652277 652278 652279 652280 653779 653780 653781 653782 653783
 653784 653785 654841 654842 661567 661568 661569 661570 661571 661572 661573 662382 662383 662384
 662385 662386 662387 662388 662954 662955 662956 662957 662958 662959 662960 662961 662962 662963
 662964 662965 662966 663008 663009 663010 663011 663012 663013 663014 663015 663016 663017 663018
 663019 663020 663021 663022 663023 663024 663025 663026 663027 663028 663029 663030 663031 672221
 672222 672223 675905 675906 675907 680607 680608 680609 680610 680611 680612 680613 680614 683712
 683713 683714 683715 683716 683717 683718 691800 691801 691802 691803 692621 692622 692623 692624
 698699 698700 698701 698702 698703 698704 698705 702740 702741 702742 702743 702744 707897 707898
 707899 707900 707901 707902 707903 707904 716432 716433 716434 716435 716436 718443 733965 733966
 733967 734071 740943 740944 740945 740946 740947 740948 740949 740950 740951 740952 741961 741962
 741963 741964 741965 741966 741967 741968 741969 741970 741971 741972 741973 741974 741975 745209
 745210 745211 745212 745213 745214 745215 745216 745217 746074 746075 746076 746077 746078 746079
 746080 746081 746082 746083 751685 751686 751687 751688 751689 751690 751691 751692 751693 751694
 751695 751696 751697 751698 751699 751700 756479 756480 756481 756482 758006 758007 758008 758009
 758010 758011 758012 758013 758014 758015 758016 758017 758018 758019 758020 758021 758022 758023
 758024 758025 758026 758027 758028 772340 772341 772342 772343 772344 772345 772346 772347 772348
 772349 772350 772351 772352 772353 772354 772355 772356 772357 772358 772359 772360 772361 774592
 774593 774594 774595 774596 774597 774598 774599 774600 794641 794642 794643 794644 794645 794646
 794647 795204 795205 795206 795207 799267 799268 799269 799270 799271 799272 799273 799274 799275
 799276 799277 799278 799279 799280 799281 803826 803827 803828 803829 803830 803831 803832 807414
 807415 807416 807417 807418 807419 807420 807421 807422 807423 807424 807425 807426 807427 807428
 809701 809702 809703 809704 809705 809706 809707 809708 809709 809710 809711 809712 809713 809714
 809715 815714 815715 815716 815717 815718 815719 815720 815721 815722 821373 821374 821375 821376
 821377 821378 821379 821380 821381 821382 821383 821860 821861 821862 821863 821864 821865 821866
 821867 821868 821869 838766 838767 838768 838769 839711 839712 842101 843941 843942



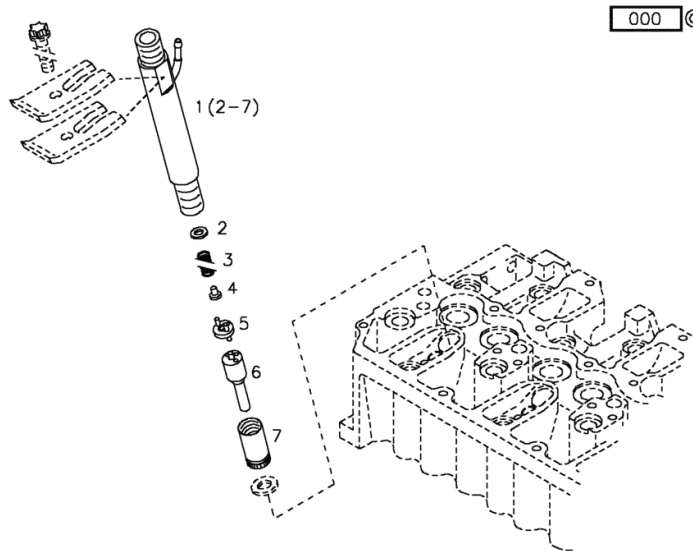
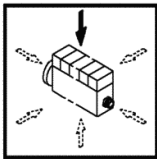
1	02112400	1	flange
2	01181763	2	screw
3	04204142	1	shim mm 1.20
			DEPENDENT ON MEASUREMENT RESULT GASKET THICKNESS (A) = MM OTHER THICKNESSES SEE ITEM (B) A = 1.20
242	01016105	0	sealing compound
950	04204143	0	shim mm 1.30
			DEPENDENT ON MEASUREMENT RESULT GASKET THICKNESS (A) = MM OTHER THICKNESSES SEE ITEM (B) A = 1.30

Section: ENGINE
FUEL INJECTOR

Fig.	Code	QTY	Name
------	------	-----	------

Engine Serial Numbers:
 575681 575682 584164

1	02112351	1	injector WITH ITEM (2-7)
2	01318882	0	shim mm 1.00 NORMAL (A)MM, OVERSIZE STEP SEE ITEM (B) A = 1.00 MM B = POS. 950-969
3	01318903	1	spring
4	01318183	1	pin
5	01318184	1	washer
6	02126846	1	nozzle
7	01318906	1	nut
950	01318883	0	washer mm 1.05 OVERSIZE 1.06 MM
951	01318884	0	washer mm 1.10 OVERSIZE 1.10 MM
952	01318885	0	washer mm 1.15 OVERSIZE 1.14 MM
953	01318886	0	washer mm 1.20 OVERSIZE 1.20 MM
954	01318887	0	washer mm 1.25 OVERSIZE 1.25 MM
955	01318888	0	washer mm 1.30 OVERSIZE 1.30 MM
956	01318889	0	washer mm 1.35 OVERSIZE 1.35 MM
957	01318890	0	washer mm 1.40 OVERSIZE 1.40 MM
958	01318891	0	washer mm 1.45 OVERSIZE 1.45 MM
959	01318892	0	washer mm 1.50

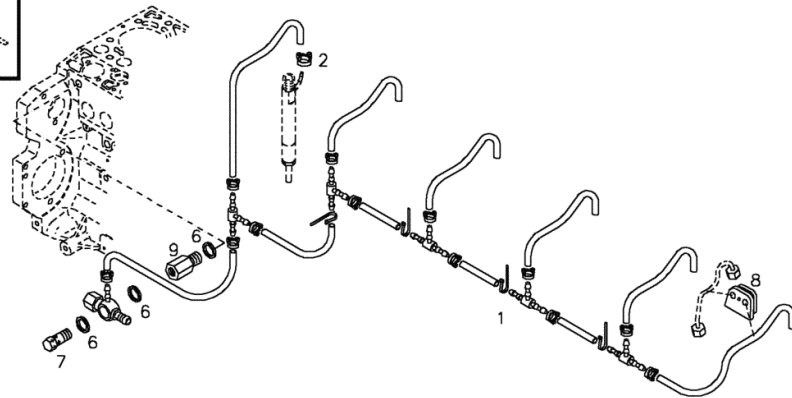
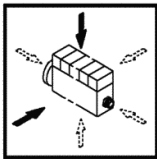


Section: ENGINE
OVERFLOW LINE

Fig.	Code	QTY	Name
------	------	-----	------

Engine Serial Numbers:

734071 740943 740944 740945 740946 740947 740948 740949 740950 740951 740952 741961 741962 741963
 741964 741965 741966 741967 741968 741969 741970 741971 741972 741973 741974 741975 745209 745210
 745211 745212 745213 745214 745215 745216 745217 746074 746075 746076 746077 746078 746079 746080
 746081 746082 746083 751685 751686 751687 751688 751689 751690 751691 751692 751693 751694 751695
 751696 751697 751698 751699 751700 756479 756480 756481 756482 758006 758007 758008 758009 758010
 758011 758012 758013 758014 758015 758016 758017 758018 758019 758020 758021 758022 758023 758024
 758025 758026 758027 758028 772340 772341 772342 772343 772344 772345 772346 772347 772348 772349
 772350 772351 772352 772353 772354 772355 772356 772357 772358 772359 772360 772361 774592 774593
 774594 774595 774596 774597 774598 774599 774600 794641 794642 794643 794644 794645 794646 794647
 795204 795205 795206 795207 799267 799268 799269 799270 799271 799272 799273 799274 799275 799276
 799277 799278 799279 799280 799281 803826 803827 803828 803829 803830 803831 803832 807414 807415
 807416 807417 807418 807419 807420 807421 807422 807423 807424 807425 807426 807427 807428 809701
 809702 809703 809704 809705 809706 809707 809708 809709 809710 809711 809712 809713 809714 809715
 815714 815715 815716 815717 815718 815719 815720 815721 815722 821373 821374 821375 821376 821377
 821378 821379 821380 821381 821382 821383 821860 821861 821862 821863 821864 821865 821866 821867
 821868 821869 838766 838767 838768 838769 839711 839712 842101 843941 843942



000 ©

1	04282708	1	tube
2	01181959	6	hose clip H 003461-FE-7,5/7*
6	01118693	3	gasket 14x20 DIN 007603-A 14 X 20 -CU
7	02111520	1	valve
8	04198035	6	rubber plug
9	02111508	1	shim

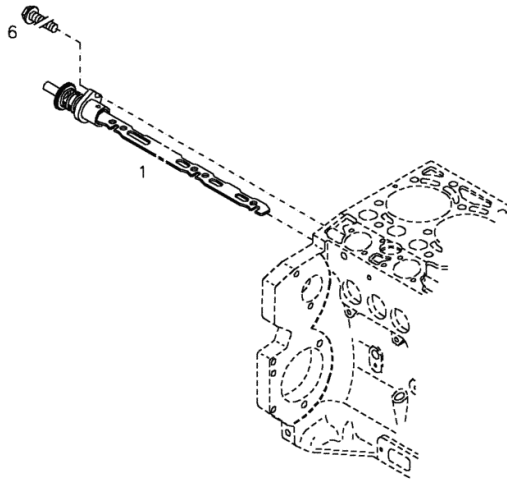
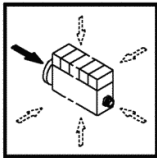
Section: ENGINE
CONTROL ROD

Fig.	Code	QTY	Name
------	------	-----	------

Engine Serial Numbers:

575681 575682 584164 594458 594459 594460 603277 608983 608984 611279 611280 611281 611282 611283
 611284 611285 611286 611287 611288 616861 620554 621043 624130 624131 624132 624133 624134 624135
 624136 624137 624138 629922 629923 629924 629925 629926 629927 629928 629929 629930 629931 629932
 629933 629934 629935 629936 629937 629938 629939 637119 637120 637121 637122 637123 637124 637125
 637126 637127 637128 637129 637130 637131 637132 637133 644114 644115 644116 644117 644118 644119
 644120 644121 644122 644123 652276 652277 652278 652279 652280 653779 653780 653781 653782 653783
 653784 653785 654841 654842 661567 661568 661569 661570 661571 661572 661573 662382 662383 662384
 662385 662386 662387 662388 662954 662955 662956 662957 662958 662959 662960 662961 662962 662963
 662964 662965 662966 663008 663009 663010 663011 663012 663013 663014 663015 663016 663017 663018
 663019 663020 663021 663022 663023 663024 663025 663026 663027 663028 663029 663030 663031 672221
 672222 672223 675905 675906 675907 680607 680608 680609 680610 680611 680612 680613 680614 683712
 683713 683714 683715 683716 683717 683718 691800 691801 691802 691803 692621 692622 692623 692624
 698699 698700 698701 698702 698703 698704 698705 702740 702741 702742 702743 702744 707897 707898
 707899 707900 707901 707902 707903 707904 716432 716433 716434 716435 716436 718443 733965 733966
 733967 734071 740943 740944 740945 740946 740947 740948 740949 740950 740951 740952 741961 741962
 741963 741964 741965 741966 741967 741968 741969 741970 741971 741972 741973 741974 741975 745209
 745210 745211 745212 745213 745214 745215 745216 745217 746074 746075 746076 746077 746078 746079
 746080 746081 746082 746083 751685 751686 751687 751688 751689 751690 751691 751692 751693 751694
 751695 751696 751697 751698 751699 751700 756479 756480 756481 756482 758006 758007 758008 758009
 758010 758011 758012 758013 758014 758015 758016 758017 758018 758019 758020 758021 758022 758023
 758024 758025 758026 758027 758028 772340 772341 772342 772343 772344 772345 772346 772347 772348
 772349 772350 772351 772352 772353 772354 772355 772356 772357 772358 772359 772360 772361 774592
 774593 774594 774595 774596 774597 774598 774599 774600 794641 794642 794643 794644 794645 794646
 794647 795204 795205 795206 795207 799267 799268 799269 799270 799271 799272 799273 799274 799275
 799276 799277 799278 799279 799280 799281 803826 803827 803828 803829 803830 803831 803832 807414
 807415 807416 807417 807418 807419 807420 807421 807422 807423 807424 807425 807426 807427 807428
 809701 809702 809703 809704 809705 809706 809707 809708 809709 809710 809711 809712 809713 809714
 809715 815714 815715 815716 815717 815718 815719 815720 815721 815722 821373 821374 821375 821376
 821377 821378 821379 821380 821381 821382 821383 821860 821861 821862 821863 821864 821865 821866
 821867 821868 821869 838766 838767 838768 838769 839711 839712 842101 843941 843942

003 ©



1	02111717	1	rod
6	01181773	1	screw H 2091 -1662-F-M8X20-LG2,5-10.9-ZNAL-

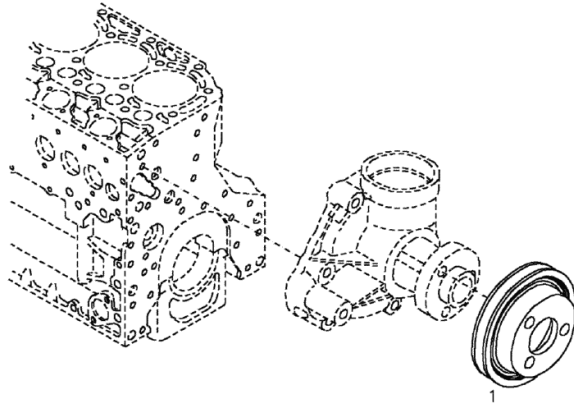
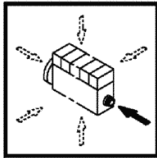
Section: ENGINE
V-GROOVED PULLEY

Fig.	Code	QTY	Name
------	------	-----	------

Engine Serial Numbers:

603277 608983 608984 611279 611280 611281 611282 611283 611284 611285 611286 611287 611288 616861
 620554 621043 624130 624131 624132 624133 624134 624135 624136 624137 624138 629922 629923 629924
 629925 629926 629927 629928 629929 629930 629931 629932 629933 629934 629935 629936 629937 629938
 629939 637119 637120 637121 637122 637123 637124 637125 637126 637127 637128 637129 637130 637131
 637132 637133 644114 644115 644116 644117 644118 644119 644120 644121 644122 644123 652276 652277
 652278 652279 652280 653779 653780 653781 653782 653783 653784 653785 654841 654842 661567 661568
 661569 661570 661571 661572 661573 662382 662383 662384 662385 662386 662387 662388 662954 662955
 662956 662957 662958 662959 662960 662961 662962 662963 662964 662965 662966 663008 663009 663010
 663011 663012 663013 663014 663015 663016 663017 663018 663019 663020 663021 663022 663023 663024
 663025 663026 663027 663028 663029 663030 663031 672221 672222 672223 675905 675906 675907 680607
 680608 680609 680610 680611 680612 680613 680614 683712 683713 683714 683715 683716 683717 683718
 707897 707898 707899 707900 707901 707902 707903 707904 716432 716433 716434 716435 716436 718443
 733965 733966 733967 734071 740943 740944 740945 740946 740947 740948 740949 740950 740951 740952
 741961 741962 741963 741964 741965 741966 741967 741968 741969 741970 741971 741972 741973 741974
 741975 745209 745210 745211 745212 745213 745214 745215 745216 745217 746074 746075 746076 746077
 746078 746079 746080 746081 746082 746083 751685 751686 751687 751688 751689 751690 751691 751692
 751693 751694 751695 751696 751697 751698 751699 751700 756479 756480 756481 756482 758006 758007
 758008 758009 758010 758011 758012 758013 758014 758015 758016 758017 758018 758019 758020 758021
 758022 758023 758024 758025 758026 758027 758028 772340 772341 772342 772343 772344 772345 772346
 772347 772348 772349 772350 772351 772352 772353 772354 772355 772356 772357 772358 772359 772360
 772361 774592 774593 774594 774595 774596 774597 774598 774599 774600 794641 794642 794643 794644
 794645 794646 794647 795204 795205 795206 795207 799267 799268 799269 799270 799271 799272 799273
 799274 799275 799276 799277 799278 799279 799280 799281 803826 803827 803828 803829 803830 803831
 803832 807414 807415 807416 807417 807418 807419 807420 807421 807422 807423 807424 807425 807426
 807427 807428 809701 809702 809703 809704 809705 809706 809707 809708 809709 809710 809711 809712
 809713 809714 809715 815714 815715 815716 815717 815718 815719 815720 815721 815722 821373 821374
 821375 821376 821377 821378 821379 821380 821381 821382 821383 821860 821861 821862 821863 821864
 821865 821866 821867 821868 821869 838766 838767 838768 838769 839711 839712 842101 843941 843942

001



1	04208469	1	pulley
---	----------	---	--------

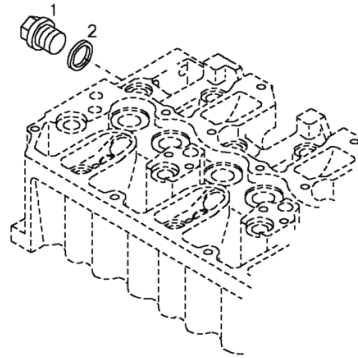
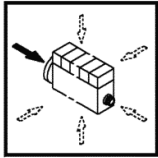
Section: ENGINE
CLOSING COMPONENTS

Fig.	Code	QTY	Name
------	------	-----	------

Engine Serial Numbers:

575681 575682 584164 594458 594459 594460 603277 608983 608984 611279 611280 611281 611282 611283
 611284 611285 611286 611287 611288 616861 620554 621043 624130 624131 624132 624133 624134 624135
 624136 624137 624138 629922 629923 629924 629925 629926 629927 629928 629929 629930 629931 629932
 629933 629934 629935 629936 629937 629938 629939 637119 637120 637121 637122 637123 637124 637125
 637126 637127 637128 637129 637130 637131 637132 637133 644114 644115 644116 644117 644118 644119
 644120 644121 644122 644123 652276 652277 652278 652279 652280 653779 653780 653781 653782 653783
 653784 653785 654841 654842 661567 661568 661569 661570 661571 661572 661573 662382 662383 662384
 662385 662386 662387 662388 662954 662955 662956 662957 662958 662959 662960 662961 662962 662963
 662964 662965 662966 663008 663009 663010 663011 663012 663013 663014 663015 663016 663017 663018
 663019 663020 663021 663022 663023 663024 663025 663026 663027 663028 663029 663030 663031 672221
 672222 672223 675905 675906 675907 680607 680608 680609 680610 680611 680612 680613 680614 683712
 683713 683714 683715 683716 683717 683718 691800 691801 691802 691803 692621 692622 692623 692624
 698699 698700 698701 698702 698703 698704 698705 702740 702741 702742 702743 702744 707897 707898
 707899 707900 707901 707902 707903 707904 716432 716433 716434 716435 716436 718443 733965 733966
 733967 734071 740943 740944 740945 740946 740947 740948 740949 740950 740951 740952 741961 741962
 741963 741964 741965 741966 741967 741968 741969 741970 741971 741972 741973 741974 741975 745209
 745210 745211 745212 745213 745214 745215 745216 745217 746074 746075 746076 746077 746078 746079
 746080 746081 746082 746083 751685 751686 751687 751688 751689 751690 751691 751692 751693 751694
 751695 751696 751697 751698 751699 751700 756479 756480 756481 756482 758006 758007 758008 758009
 758010 758011 758012 758013 758014 758015 758016 758017 758018 758019 758020 758021 758022 758023
 758024 758025 758026 758027 758028 772340 772341 772342 772343 772344 772345 772346 772347 772348
 772349 772350 772351 772352 772353 772354 772355 772356 772357 772358 772359 772360 772361 774592
 774593 774594 774595 774596 774597 774598 774599 774600 794641 794642 794643 794644 794645 794646
 794647 795204 795205 795206 795207 799267 799268 799269 799270 799271 799272 799273 799274 799275
 799276 799277 799278 799279 799280 799281 803826 803827 803828 803829 803830 803831 803832 807414
 807415 807416 807417 807418 807419 807420 807421 807422 807423 807424 807425 807426 807427 807428
 809701 809702 809703 809704 809705 809706 809707 809708 809709 809710 809711 809712 809713 809714
 809715 815714 815715 815716 815717 815718 815719 815720 815721 815722 821373 821374 821375 821376
 821377 821378 821379 821380 821381 821382 821383 821860 821861 821862 821863 821864 821865 821866
 821867 821868 821869 838766 838767 838768 838769 839711 839712 842101 843941 843942

001 ©



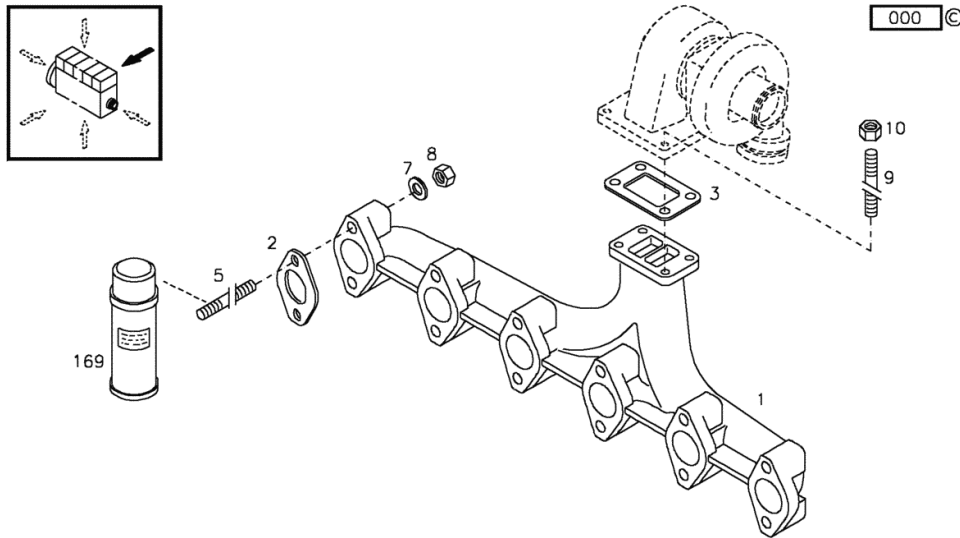
1	01124445	1	screw m10x1 d910
2	01118659	1	'o' ring

Section: ENGINE
EXHAUST PIPE

Fig.	Code	QTY	Name
------	------	-----	------

Engine Serial Numbers:

772340 772341 772342 772343 772344 772345 772346 772347 772348 772349 772350 772351 772352 772353
 772354 772355 772356 772357 772358 772359 772360 772361 774592 774593 774594 774595 774596 774597
 774598 774599 774600 794641 794642 794643 794644 794645 794646 794647 795204 795205 795206 795207
 799267 799268 799269 799270 799271 799272 799273 799274 799275 799276 799277 799278 799279 799280
 799281 803826 803827 803828 803829 803830 803831 803832 807414 807415 807416 807417 807418 807419
 807420 807421 807422 807423 807424 807425 807426 807427 807428 809701 809702 809703 809704 809705
 809706 809707 809708 809709 809710 809711 809712 809713 809714 809715 815714 815715 815716 815717
 815718 815719 815720 815721 815722 821373 821374 821375 821376 821377 821378 821379 821380 821381
 821382 821383 821860 821861 821862 821863 821864 821865 821866 821867 821868 821869 838766 838767
 838768 838769 839711 839712 842101 843941 843942



1	04282350	1	exhaust
2	04209198	6	gasket
3	04209206	1	gasket
5	02143324	12	screw
7	04197422	12	washer
8	01182036	12	nut
9	01148097	4	stud bolt
10	01138774	4	nut m 8
169	01016130	0	ISO 004032-M 8 -24CRMO5V sealing compound AS 450 H 000685-DEUTZ S 1- 400 ML

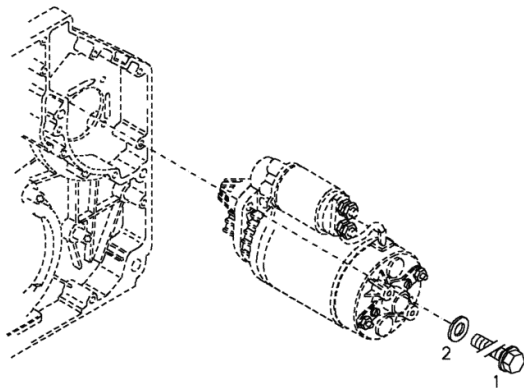
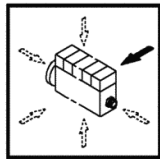
Section: ENGINE
FASTENINGS

Fig.	Code	QTY	Name
------	------	-----	------

Engine Serial Numbers:

575681 575682 584164 594458 594459 594460 603277 608983 608984 611279 611280 611281 611282 611283
 611284 611285 611286 611287 611288 616861 620554 621043 624130 624131 624132 624133 624134 624135
 624136 624137 624138 629922 629923 629924 629925 629926 629927 629928 629929 629930 629931 629932
 629933 629934 629935 629936 629937 629938 629939 637119 637120 637121 637122 637123 637124 637125
 637126 637127 637128 637129 637130 637131 637132 637133 644114 644115 644116 644117 644118 644119
 644120 644121 644122 644123 652276 652277 652278 652279 652280 653779 653780 653781 653782 653783
 653784 653785 654841 654842 661567 661568 661569 661570 661571 661572 661573 662382 662383 662384
 662385 662386 662387 662388 662954 662955 662956 662957 662958 662959 662960 662961 662962 662963
 662964 662965 662966 663008 663009 663010 663011 663012 663013 663014 663015 663016 663017 663018
 663019 663020 663021 663022 663023 663024 663025 663026 663027 663028 663029 663030 663031 672221
 672222 672223 675905 675906 675907 680607 680608 680609 680610 680611 680612 680613 680614 683712
 683713 683714 683715 683716 683717 683718 691800 691801 691802 691803 692621 692622 692623 692624
 698699 698700 698701 698702 698703 698704 698705 702740 702741 702742 702743 702744 707897 707898
 707899 707900 707901 707902 707903 707904 716432 716433 716434 716435 716436 718443 733965 733966
 733967 734071 740943 740944 740945 740946 740947 740948 740949 740950 740951 740952 741961 741962
 741963 741964 741965 741966 741967 741968 741969 741970 741971 741972 741973 741974 741975 745209
 745210 745211 745212 745213 745214 745215 745216 745217 746074 746075 746076 746077 746078 746079
 746080 746081 746082 746083 751685 751686 751687 751688 751689 751690 751691 751692 751693 751694
 751695 751696 751697 751698 751699 751700 756479 756480 756481 756482 758006 758007 758008 758009
 758010 758011 758012 758013 758014 758015 758016 758017 758018 758019 758020 758021 758022 758023
 758024 758025 758026 758027 758028 772340 772341 772342 772343 772344 772345 772346 772347 772348
 772349 772350 772351 772352 772353 772354 772355 772356 772357 772358 772359 772360 772361 774592
 774593 774594 774595 774596 774597 774598 774599 774600 794641 794642 794643 794644 794645 794646
 794647 795204 795205 795206 795207 799267 799268 799269 799270 799271 799272 799273 799274 799275
 799276 799277 799278 799279 799280 799281 803826 803827 803828 803829 803830 803831 803832 807414
 807415 807416 807417 807418 807419 807420 807421 807422 807423 807424 807425 807426 807427 807428
 809701 809702 809703 809704 809705 809706 809707 809708 809709 809710 809711 809712 809713 809714
 809715 815714 815715 815716 815717 815718 815719 815720 815721 815722 821373 821374 821375 821376
 821377 821378 821379 821380 821381 821382 821383 821860 821861 821862 821863 821864 821865 821866
 821867 821868 821869 838766 838767 838768 838769 839711 839712 842101 843941 843942

002 ©



1	01179874	3	screw EN 1662 -F-M10X38-10.9-A4C*
2	01140501	3	washer 10.5 DIN 125 -10,5-140HV-A4C

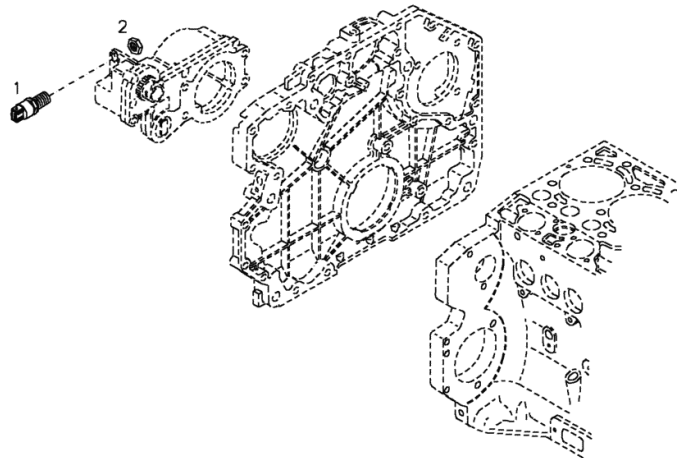
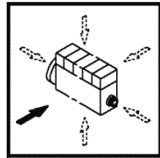
Section: ENGINE
OIL PRESSUR.SWITCH

Fig.	Code	QTY	Name
------	------	-----	------

Engine Serial Numbers:

575681 575682 584164 594458 594459 594460 603277 608983 608984 611279 611280 611281 611282 611283
 611284 611285 611286 611287 611288 616861 620554 621043 624130 624131 624132 624133 624134 624135
 624136 624137 624138 629922 629923 629924 629925 629926 629927 629928 629929 629930 629931 629932
 629933 629934 629935 629936 629937 629938 629939 637119 637120 637121 637122 637123 637124 637125
 637126 637127 637128 637129 637130 637131 637132 637133 644114 644115 644116 644117 644118 644119
 644120 644121 644122 644123 652276 652277 652278 652279 652280 653779 653780 653781 653782 653783
 653784 653785 654841 654842 661567 661568 661569 661570 661571 661572 661573 662382 662383 662384
 662385 662386 662387 662388 662954 662955 662956 662957 662958 662959 662960 662961 662962 662963
 662964 662965 662966 663008 663009 663010 663011 663012 663013 663014 663015 663016 663017 663018
 663019 663020 663021 663022 663023 663024 663025 663026 663027 663028 663029 663030 663031 672221
 672222 672223 675905 675906 675907 680607 680608 680609 680610 680611 680612 680613 680614 683712
 683713 683714 683715 683716 683717 683718 691800 691801 691802 691803 692621 692622 692623 692624
 698699 698700 698701 698702 698703 698704 698705 702740 702741 702742 702743 702744 707897 707898
 707899 707900 707901 707902 707903 707904 716432 716433 716434 716435 716436 718443 733965 733966
 733967 734071 740943 740944 740945 740946 740947 740948 740949 740950 740951 740952 741961 741962
 741963 741964 741965 741966 741967 741968 741969 741970 741971 741972 741973 741974 741975 745209
 745210 745211 745212 745213 745214 745215 745216 745217 746074 746075 746076 746077 746078 746079
 746080 746081 746082 746083 751685 751686 751687 751688 751689 751690 751691 751692 751693 751694
 751695 751696 751697 751698 751699 751700 756479 756480 756481 756482 758006 758007 758008 758009
 758010 758011 758012 758013 758014 758015 758016 758017 758018 758019 758020 758021 758022 758023
 758024 758025 758026 758027 758028 772340 772341 772342 772343 772344 772345 772346 772347 772348
 772349 772350 772351 772352 772353 772354 772355 772356 772357 772358 772359 772360 772361 774592
 774593 774594 774595 774596 774597 774598 774599 774600 794641 794642 794643 794644 794645 794646
 794647 795204 795205 795206 795207 799267 799268 799269 799270 799271 799272 799273 799274 799275
 799276 799277 799278 799279 799280 799281 803826 803827 803828 803829 803830 803831 803832 807414
 807415 807416 807417 807418 807419 807420 807421 807422 807423 807424 807425 807426 807427 807428
 809701 809702 809703 809704 809705 809706 809707 809708 809709 809710 809711 809712 809713 809714
 809715 815714 815715 815716 815717 815718 815719 815720 815721 815722 821373 821374 821375 821376
 821377 821378 821379 821380 821381 821382 821383 821860 821861 821862 821863 821864 821865 821866
 821867 821868 821869 838766 838767 838768 838769 839711 839712 842101 843941 843942

002 ©



1	04199552	1	tempe guage
2	01144661	1	nut DIN 080705-M 14X1,5-FE/ZNPHRF

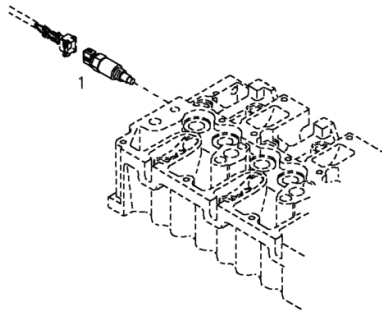
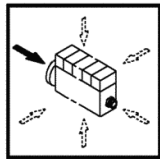
Section: ENGINE
TEMPER.TRANSMITTER

Fig.	Code	QTY	Name
------	------	-----	------

Engine Serial Numbers:

575681 575682 584164 594458 594459 594460 603277 608983 608984 611279 611280 611281 611282 611283
 611284 611285 611286 611287 611288 616861 620554 621043 624130 624131 624132 624133 624134 624135
 624136 624137 624138 629922 629923 629924 629925 629926 629927 629928 629929 629930 629931 629932
 629933 629934 629935 629936 629937 629938 629939 637119 637120 637121 637122 637123 637124 637125
 637126 637127 637128 637129 637130 637131 637132 637133 644114 644115 644116 644117 644118 644119
 644120 644121 644122 644123 652276 652277 652278 652279 652280 653779 653780 653781 653782 653783
 653784 653785 654841 654842 661567 661568 661569 661570 661571 661572 661573 662382 662383 662384
 662385 662386 662387 662388 662954 662955 662956 662957 662958 662959 662960 662961 662962 662963
 662964 662965 662966 663008 663009 663010 663011 663012 663013 663014 663015 663016 663017 663018
 663019 663020 663021 663022 663023 663024 663025 663026 663027 663028 663029 663030 663031 672221
 672222 672223 675905 675906 675907 680607 680608 680609 680610 680611 680612 680613 680614 683712
 683713 683714 683715 683716 683717 683718 691800 691801 691802 691803 692621 692622 692623 692624
 698699 698700 698701 698702 698703 698704 698705 702740 702741 702742 702743 702744 707897 707898
 707899 707900 707901 707902 707903 707904 716432 716433 716434 716435 716436 718443 733965 733966
 733967 734071 740943 740944 740945 740946 740947 740948 740949 740950 740951 740952 741961 741962
 741963 741964 741965 741966 741967 741968 741969 741970 741971 741972 741973 741974 741975 745209
 745210 745211 745212 745213 745214 745215 745216 745217 746074 746075 746076 746077 746078 746079
 746080 746081 746082 746083 751685 751686 751687 751688 751689 751690 751691 751692 751693 751694
 751695 751696 751697 751698 751699 751700 756479 756480 756481 756482 758006 758007 758008 758009
 758010 758011 758012 758013 758014 758015 758016 758017 758018 758019 758020 758021 758022 758023
 758024 758025 758026 758027 758028 772340 772341 772342 772343 772344 772345 772346 772347 772348
 772349 772350 772351 772352 772353 772354 772355 772356 772357 772358 772359 772360 772361 774592
 774593 774594 774595 774596 774597 774598 774599 774600 794641 794642 794643 794644 794645 794646
 794647

002 ©



1	04199260	1	pressure switch
---	----------	---	-----------------

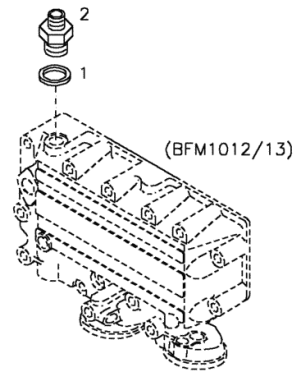
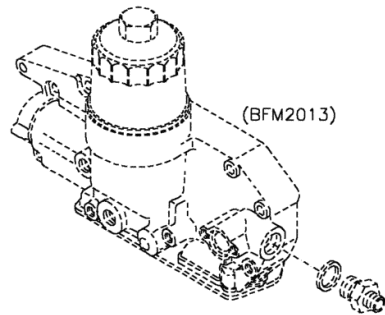
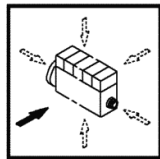
Section: ENGINE
HEATER CONNECTION

Fig.	Code	QTY	Name
------	------	-----	------

Engine Serial Numbers:

575681 575682 584164 594458 594459 594460 603277 608983 608984 611279 611280 611281 611282 611283
 611284 611285 611286 611287 611288 616861 620554 621043 624130 624131 624132 624133 624134 624135
 624136 624137 624138 629922 629923 629924 629925 629926 629927 629928 629929 629930 629931 629932
 629933 629934 629935 629936 629937 629938 629939 637119 637120 637121 637122 637123 637124 637125
 637126 637127 637128 637129 637130 637131 637132 637133 644114 644115 644116 644117 644118 644119
 644120 644121 644122 644123 652276 652277 652278 652279 652280 653779 653780 653781 653782 653783
 653784 653785 654841 654842 661567 661568 661569 661570 661571 661572 661573 662382 662383 662384
 662385 662386 662387 662388 662954 662955 662956 662957 662958 662959 662960 662961 662962 662963
 662964 662965 662966 663008 663009 663010 663011 663012 663013 663014 663015 663016 663017 663018
 663019 663020 663021 663022 663023 663024 663025 663026 663027 663028 663029 663030 663031 672221
 672222 672223 675905 675906 675907 680607 680608 680609 680610 680611 680612 680613 680614 683712
 683713 683714 683715 683716 683717 683718 691800 691801 691802 691803 692621 692622 692623 692624
 698699 698700 698701 698702 698703 698704 698705 702740 702741 702742 702743 702744 707897 707898
 707899 707900 707901 707902 707903 707904 716432 716433 716434 716435 716436 718443 733965 733966
 733967 734071 740943 740944 740945 740946 740947 740948 740949 740950 740951 740952 741961 741962
 741963 741964 741965 741966 741967 741968 741969 741970 741971 741972 741973 741974 741975 745209
 745210 745211 745212 745213 745214 745215 745216 745217 746074 746075 746076 746077 746078 746079
 746080 746081 746082 746083 751685 751686 751687 751688 751689 751690 751691 751692 751693 751694
 751695 751696 751697 751698 751699 751700 756479 756480 756481 756482 758006 758007 758008 758009
 758010 758011 758012 758013 758014 758015 758016 758017 758018 758019 758020 758021 758022 758023
 758024 758025 758026 758027 758028 772340 772341 772342 772343 772344 772345 772346 772347 772348
 772349 772350 772351 772352 772353 772354 772355 772356 772357 772358 772359 772360 772361 774592
 774593 774594 774595 774596 774597 774598 774599 774600

002 ©



1	01118760	2	gasket 26x31
2	01172886	2	tongue m 26x1,5/18

P.T.O. SHAFT DRIVE

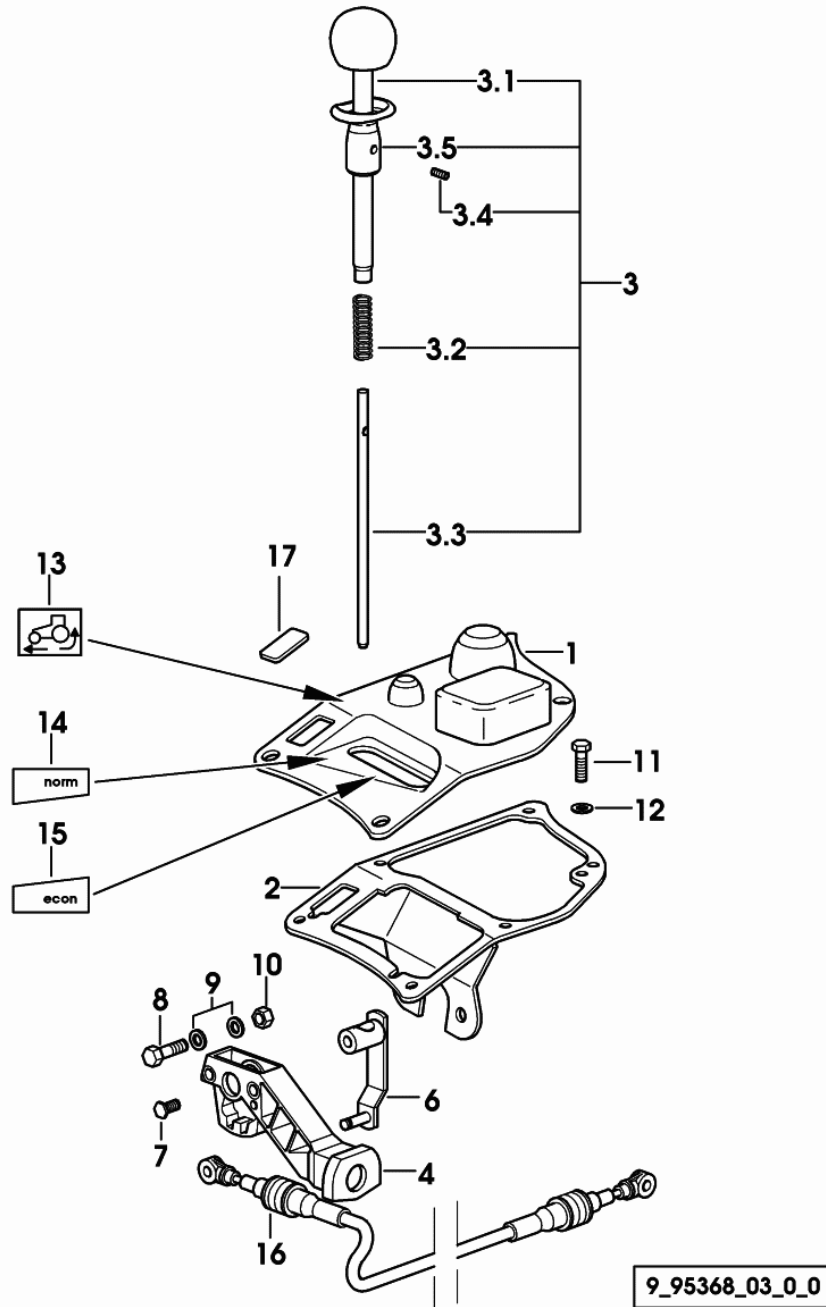


Fig.	Code	QTY	Name
1	04429597.4	1	knob ☞ 04429597.4
2	04429601.4	1	crosspiece
3	04452925.4	1	lever
3.1	04452923	1	lever
3.2	04426194	1	spring
3.3	04414328	1	rod
3.4	01144807	1	screw
3.5	04411645	1	support
4	04425449/10	1	support
6	04423032.4	1	lever
7	04423712	1	screw
8	01124457	2	screw m 8 x 45
9	01138374	4	washer 8,4x21x4
10	01136452	2	nut vm 8 d980
11	04429756	6	screw
12	01139990	6	washer
13	04429909	1	number plate
14	04429910	1	stickers norm
15	04429911	1	stickers econ
16	04429752	1	rod mm 2130
17	04415856	1	knob

-> 1698 X Agrotron 106 MK3
 -> 1293 X Agrotron 110 MK3
 -> 1802 X Agrotron 115 MK3

Section: FRONT AXEL

FRONT CARRIER SUSPENSION SYSTEM

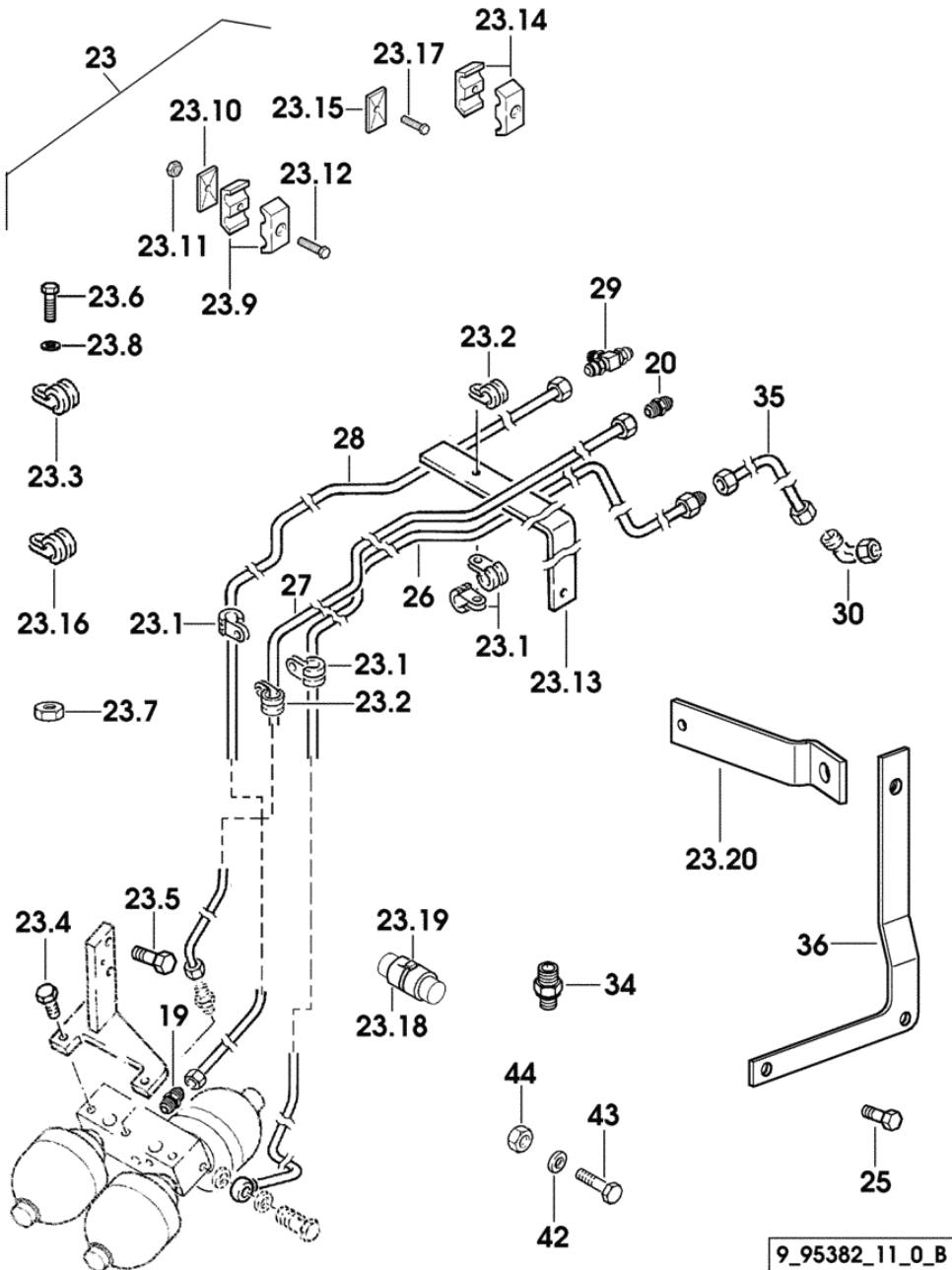


Fig.	Code	QTY	Name
19	01177226	3	pipe fitting m 18 p.1.5 x 15
20	01180558	1	pipe fitting M 16X1.5X10
23	04437840.4	1	kit
23.1	01220008	4	hose clip B10X20
23.2	01212670	3	hose clip B10X15
23.3	01179680	4	clamp A15X15
23.4	01139931	2	screw m 10 x 25
23.5	01112529	2	screw m 12 x 30, d933
23.6	01103316	3	screw m 6 p.1.0 x 16
23.7	01127079	2	nut m 6
23.8	01178434	2	washer 13X21X1.5
23.9	01175727	2	terminal
23.10	01175670	1	small plate
23.11	01112824	1	nut m 8, d934
23.12	01124457	1	screw m 8 x 45
23.13	04426998	1	console
23.14	01175615	4	terminal Ø 16
23.15	01178734	3	small plate
23.16	01172129	2	terminal B8X15
23.17	01112279	1	screw m 6 p.1 x 40
23.18	02382224	1	sleeve 12
23.19	01172065	1	clamp 4.6 x 146
23.20	04436639	1	support
25	01112299	2	screw m 8 x 12, d933
26	04437821	1	pipng
27	04437822	1	tube
28	04437823	1	tube
29	04427045	1	pipe fitting T
30	01144816	1	pipe fitting
34	01179243	1	pipe fitting M 14X1.5X10
35	04438036	1	tube
36	04438092	1	support
42	01119817	2	washer
43	01123749	2	screw m 6 x 25
44	01127079	2	nut m 6

9_95382_11_0_B

Section: FRONT AXEL
BEVEL WHEEL GEAR

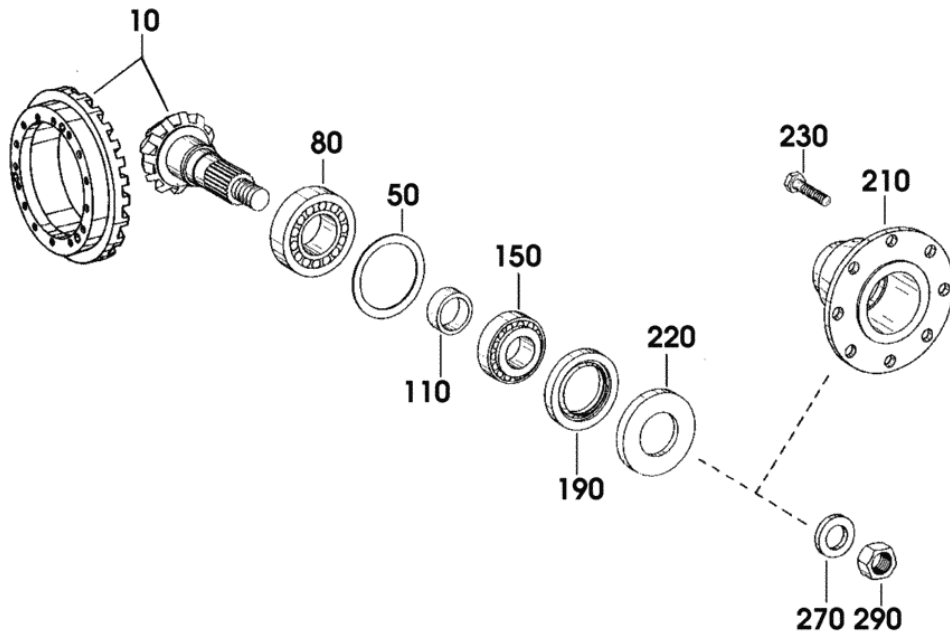


Fig.	Code	QTY	Name
10	04415002	1	bevel gear
10	04415003	1	bevel gear - WITH SELF-LOCKING DISC DIFF LOCK
50	04348594	1	washer mm 1.0
50	04348595	1	conical washer mm 1.05
50	04348596	1	washer mm 1.1
50	04348597	1	washer mm 1.15
50	04348598	1	washer mm 1.20
50	04348599	1	washer mm 1.25
50	04415284	1	washer mm 1.3
50	04348601	1	washer mm 1.35
50	04348602	1	washer mm 1.4
50	04348603	1	washer mm 1.45
50	04348604	1	washer mm 1.5
50	04348605	1	washer mm 1.55
50	04349933	1	washer mm 1.6
50	04349934	1	washer mm 0,9
50	04349935	1	flat washer mm 0,95
50	04415279	1	washer mm 0,65
50	04415280	1	washer mm 0,70
50	04415281	1	washer mm 0,75
50	04415282	1	washer mm 0,85
50	04415283	1	washer mm 0,80
80	01168682	1	roller bearing
110	04415289	1	ring mm 15.1
110	04415290	1	ring mm 15.2
110	04415291	1	ring mm 15.3
110	04415292	1	ring mm 15.4
110	04415293	1	ring mm 15.5
110	04415294	1	ring mm 15.6
110	04415295	1	ring mm 15.7
110	04415296	1	ring mm 15.8
110	04415297	1	ring mm 15.9
110	04415298	1	ring mm 16.0
110	04415299	1	ring mm 16.1
110	04415300	1	ring mm 16.2
110	04415301	1	ring mm 16.3
110	04415302	1	ring mm 16.4
110	04415303	1	ring mm 16.26
110	04415304	1	ring mm 16.23
110	04415305	1	ring mm 16.16
110	04415306	1	ring mm 16.13
110	04415307	1	ring mm 16.06

4475 102

FRONT HYDRAULIC POWER-LIFT

Fig.	Code	QTY	Name
0	0.000.0000.1	0	not serviceable

Catalogo ricambi originali

Original parts catalogue

Catalogue pièces d'origine

Original Ersatzteilkatalog

Catálogo peças originais

**FIRMA HANS SAUTER GMBH
LANDTECHNIK-STAHLBAU
AUERBACHWEG 13
D 87778 STETTEN**

TEL: 08261/759940

FAX: 08261/7599420

Section: GEAR
POWER SHIFT

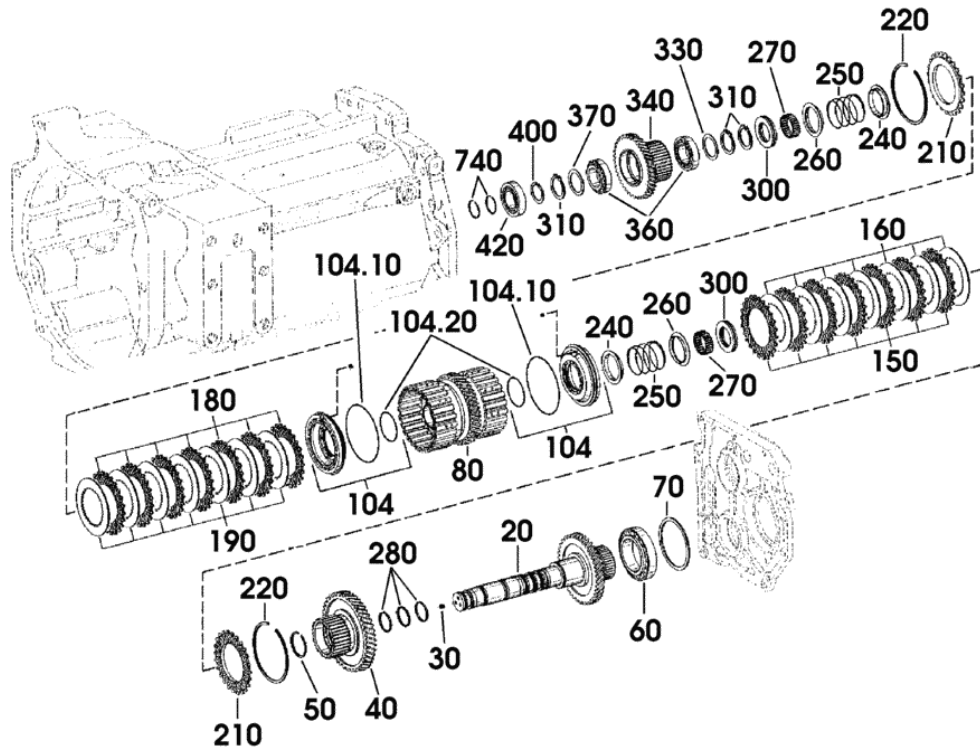


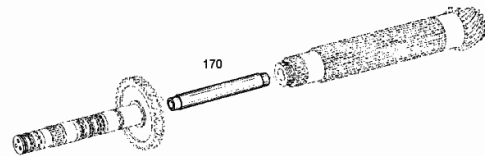
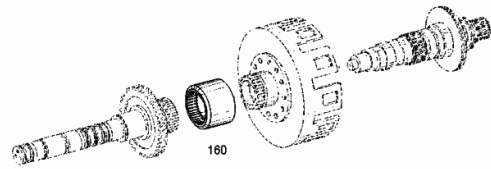
Fig.	Code	QTY	Name
20	04417239	1	shaft Z = 44
30	04416947	2	grain m 8x8
40	04427565	1	bearing z = 36/43
50	04416966	1	ring SW 50
60	04415989	1	bearing
70	04417057	1	washer mm 2.70
70	04417058	1	washer mm 2.65
70	04417059	1	washer mm 2.60
70	04417060	1	washer mm 2.55
70	04417061	1	washer mm 2.50
70	04417062	1	washer mm 2.45
70	04417063	1	washer mm 2.40
70	04417064	1	washer mm 2.35
70	04417065	1	washer mm 2.30
70	04417066	1	washer mm 2.25
70	04417067	1	washer mm 2.20
70	04417068	1	washer mm 2.15
70	04417069	1	washer mm 2.10
70	04417070	1	washer mm 2.05
70	04417071	1	washer mm 2.0
70	04417072	1	washer mm 1.95
70	04417073	1	washer mm 1.9
70	04417074	1	washer mm 1.85
70	04417075	1	washer mm 1.80
80	04423368	1	support
104	04423360	4	piston
104.10	04419762	4	'o' ring 104x3
104.20	04419763	4	'o' ring 50x3
150	04416760	7	clutch disc AV 35
160	04416967	7	clutch disc
180	04416760	7	clutch disc AV 35
190	04416967	7	clutch disc
210	04416763	4	disc
220	04416765	4	circlip A = 2.0
220	04416766	4	circlip A = 2.5
220	04416767	4	circlip A = 3.0
220	04416768	4	circlip A = 3.5
240	04416758	4	ring
250	04416759	4	spring
260	04416954	4	ring
270	04416955	4	roller cage
280	04416956	6	ring 38/35.2x2
300	04416957	4	bearing
310	04416951	7	circlip

209316800302_1

Section: GEAR

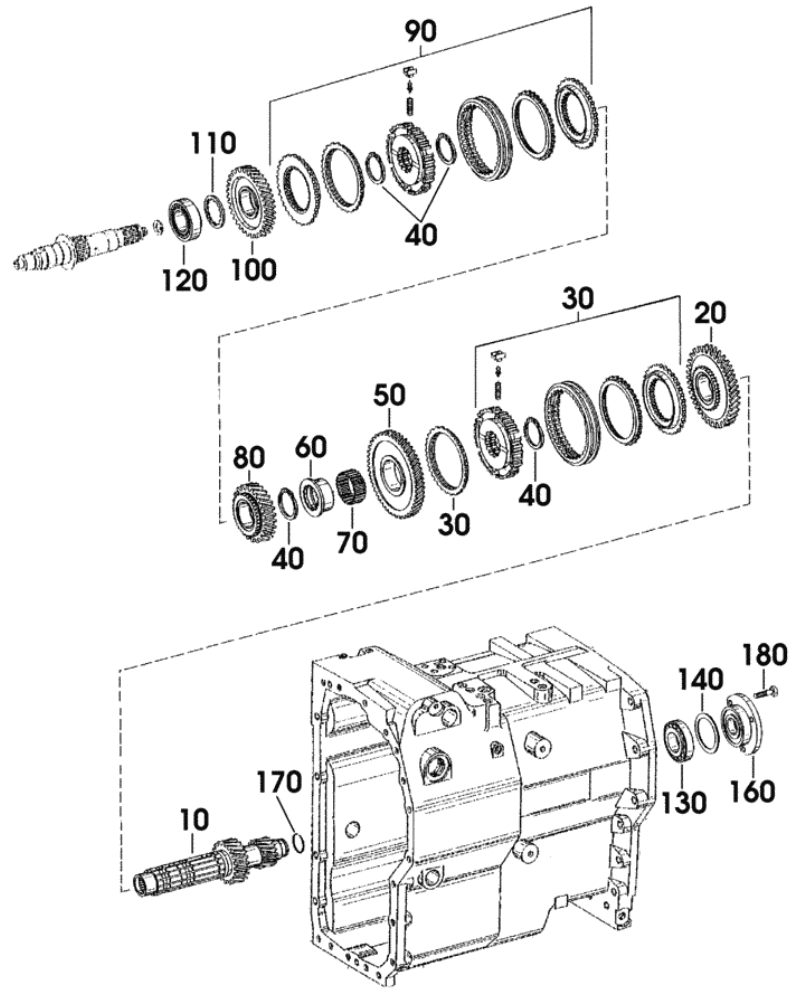
COMPLETION - WITHOUT CREEP SPEED

Fig.	Code	QTY	Name
160	04416816	1	bushing
170	04423259	1	tube



TRANSMISSION SHAFT - WITHOUT HYDRAULIC SHUTTLE

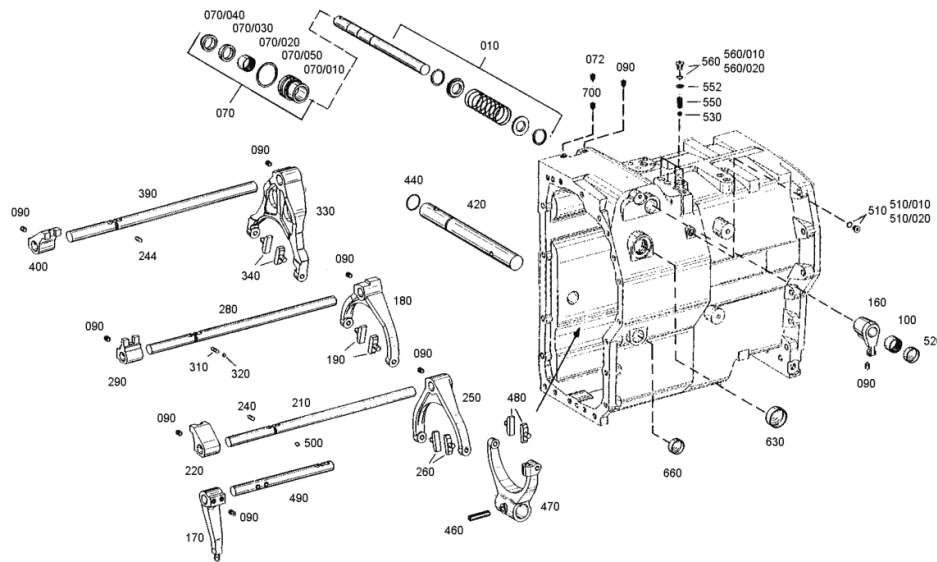
Fig.	Code	QTY	Name
140	04436336	1	shim mm 1.975
160	04415760	1	cover
170	04415761	1	ring 35x2
180	0.010.2616.1	3	screw m 10x32



209310300200

GEARSHIFT LEVER - WITH HYDRAULIC SHUTTLE - AT CREEP SPEED

Fig.	Code	QTY	Name
10	0.010.2861.2	1	rod
70	0.010.2862.0	1	bushing
70.10	04415769	1	sleeve
70.20	04415772	1	bearing
70.30	04415773	1	'o' ring 25x35x7
70.40	04415774	1	oil seal AS 25x35x7x10
70.50	04416048	1	'o' ring 37x3
72	01272647	1	stud bolt L = 13.7
90	01272647	16	stud bolt L = 13.7
100	04415772	1	bearing
160	04416044	1	small lever
170	04415777	1	small lever
180	04415778	1	fork
190	04415779	2	shoe
210	04423248	1	guide
220	04415781	1	driver
240	04415782	1	pin
244	04415783	1	pin
250	04415784	1	fork
260	04415779	2	shoe
280	04423249	1	guide
290	04415786	1	driver A = 4.2
290	04424422	1	driver A = 3.6
290	04424423	1	driver A = 3.9
290	04424424	1	driver A = 4.5
290	04424425	1	controle panel A = 4.8
310	01299482	1	spring
320	04415788	1	circlip B 7 din 7993
330	04423251	1	fork
340	04415779	2	shoe
390	04423250	1	rod
400	04415791	1	driver
420	04419231	1	rod
440	0.010.2862.1	1	'o' ring 25x3
460	0.010.2862.2	1	pin 12x45
470	04415793	1	fork
480	04415779	2	shoe
490	04415794	1	rod
500	04415795	1	pin
510	0.000.0000.1	0	not serviceable
510.10	04434512	1	plug m 10 p.1
510.20	04415683	1	'o' ring 8x1.5
520	04433214	2	cover 32
530	04309268	4	ball



Section: GEAR

CONTROL UNIT - WITHOUT HYDRAULIC SHUTTLE

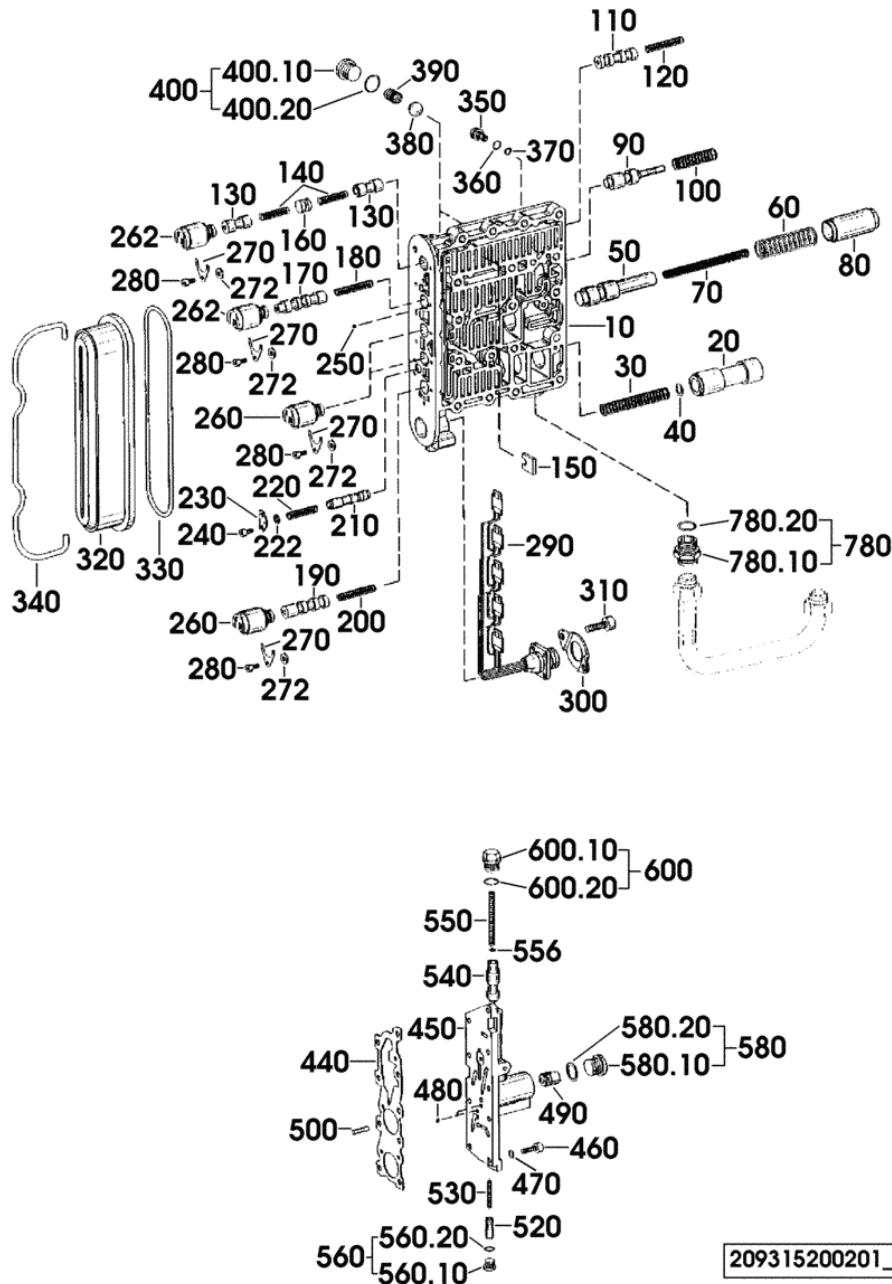
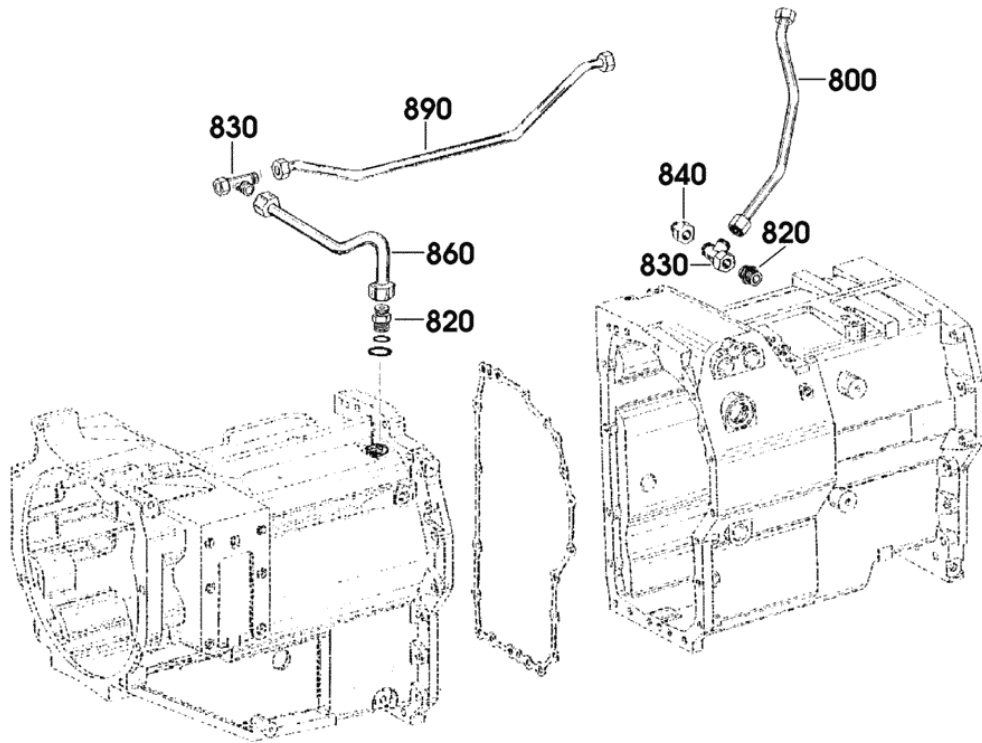


Fig.	Code	QTY	Name
360	04415683	1	'o' ring 8x1.5
370	0.010.2618.1	1	'o' ring 6x1.5
380	04416839	2	ball
390	04416942	2	spring
400	0.000.0000.1	0	not serviceable
400.10	0.010.2618.2	3	screw m 18 p.1.5
400.20	02968175	3	'o' ring 15x2
440	04416694	1	gasket
450	04416840	1	box
460	04434508	9	screw m 6 x 20
470	04416841	9	washer 6.4x12
480	04416684	5	ball
490	04416847	1	piston mm 20.5
490	04416848	1	piston mm 21.0
490	04416849	1	piston mm 21.5
490	04416850	1	piston mm 22.0
490	04417967	1	piston mm 22.5
490	04417968	1	piston mm 23.0
500	04416842	1	roller
520	04416843	1	piston
530	04416846	1	spring
540	04416844	1	piston
550	04416845	1	spring
556	04416851	1	shim 4x8x0.5
560	0.000.0000.1	0	not serviceable
560.10	0.010.2617.3	1	screw m 12 p.1.5
560.20	04415796	1	'o' ring 9.5x2
580	0.000.0000.1	0	not serviceable
580.10	0.010.2619.0	1	screw m 20 p.1.5
580.20	0.010.2619.1	1	'o' ring 17x2
600	0.000.0000.1	0	not serviceable
600.10	04416852	1	screw
600.20	02968175	1	'o' ring 15x2
780	0.000.0000.1	0	not serviceable
780.10	04416944	1	tongue
780.20	04416021	1	'o' ring 27x2.5

209315200201_0

LUBRICATING OIL SUPPLY - WITHOUT HYDRAULIC SHUTTLE

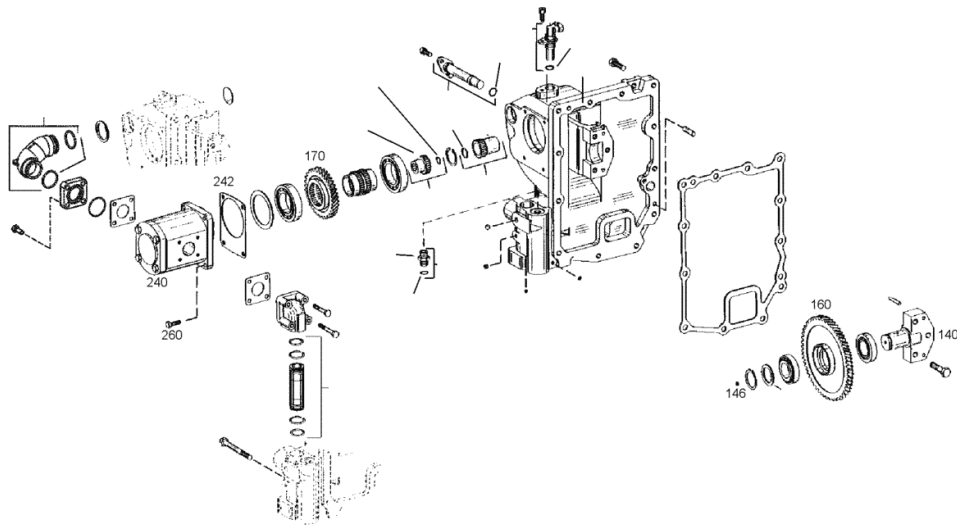
Fig.	Code	QTY	Name
800	04417574	1	tube
820	0.010.2878.2	2	pipe fitting
830	0.010.2879.0	2	pipe fitting
840	0.010.2879.1	1	reduction
860	0.010.2880.0	1	tube
890	0.010.2880.1	1	tube



209314700202_1

Section: GEAR
PUMP DRIVE

Fig.	Code	QTY	Name
140	04415918	1	bearing block
146	04415919	1	ball
160	04415920	1	gear Z = 68
170	04415916	1	gear wheel Z = 41
240	04431697	1	oil pump
242	04415921	1	gasket
260	04434509	4	screw m 8 x 30



Section: GEAR

GEARBOX REAR - FOR TYPES WITH 2-SPEED PTO

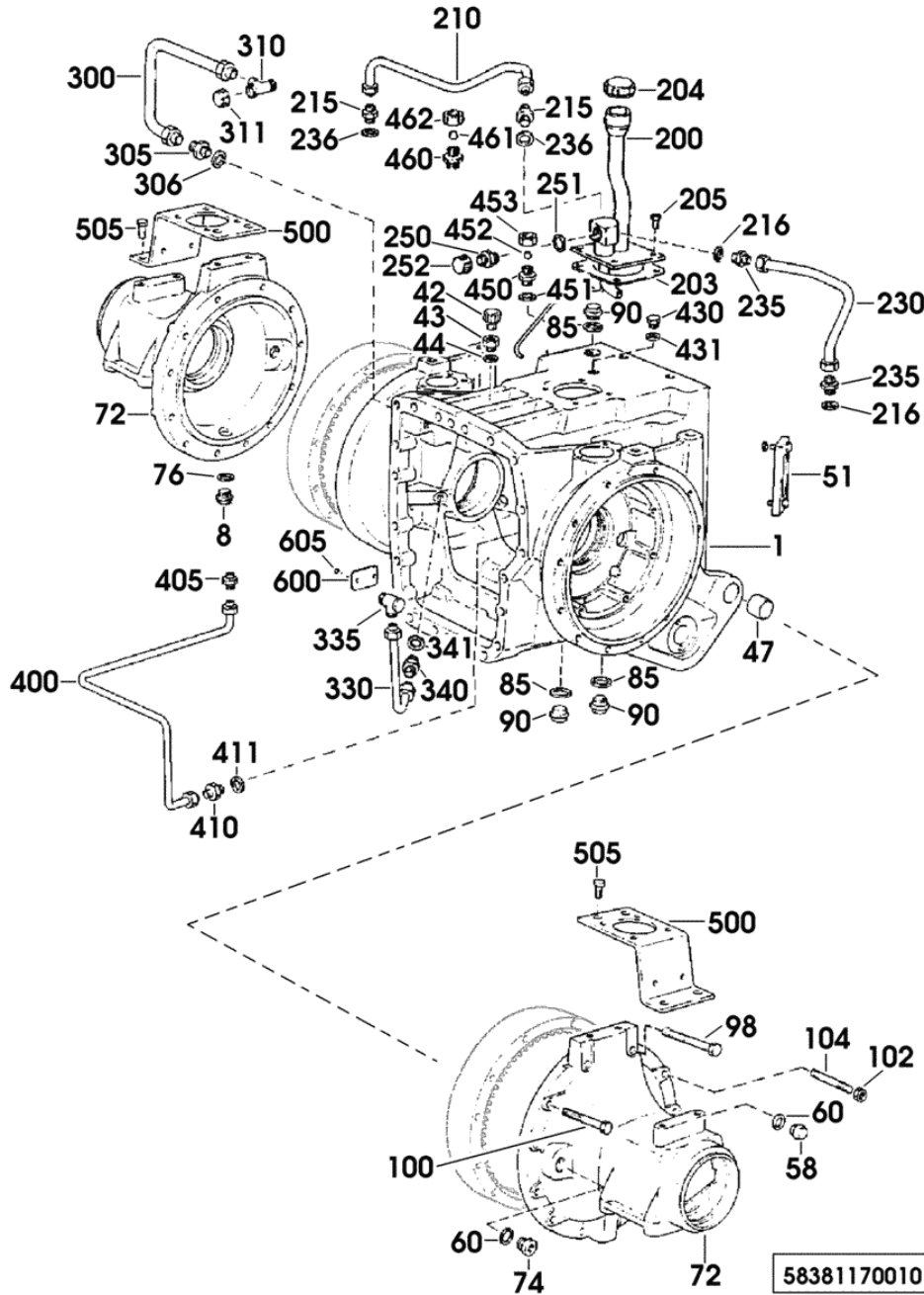
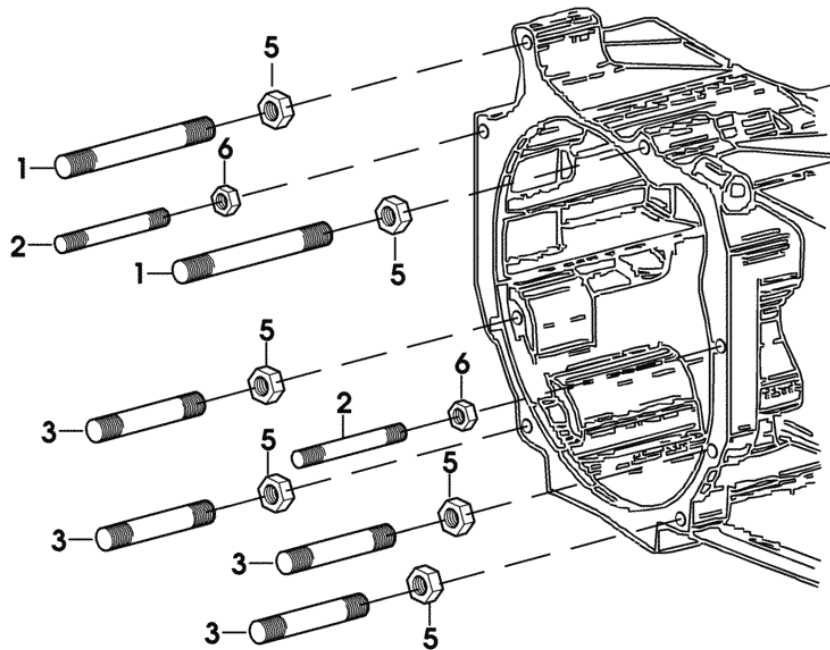


Fig.	Code	QTY	Name
1	0.010.3266.2	1	box
8	04417443	2	screw
42	04417453	1	filter
43	04427578	1	shim
44	0.010.2896.1	1	gasket 18x22
47	04417451	2	bushing
51	04419731	1	level indicator
58	0.010.2896.2	2	screw m 22 x 1.5
60	01118737	4	'o' ring 22 x 27
72	04419744	2	axle
74	04423787	2	lamination m 22 x 1.5
76	01118737	2	'o' ring 22 x 27
85	0.010.2897.0	3	gasket 30x36
90	04417593	3	plug m 30x1.5
98	04427590	4	screw m 12 x 160
100	04423329	16	screw m 12x140
102	04427591	4	nut m 12
104	04427592	4	screw m 12x150
200	0.010.2797.0	1	tube
203	0.010.2897.1	1	gasket
204	0.010.2897.2	1	plug
205	04435705	4	screw m 8 p.1.25 x 20
210	04435706	1	tube
215	04427628	2	screw
216	0.010.2896.1	2	gasket 18x22
230	0.010.2898.1	1	tube
235	04427628	2	screw
236	0.010.2896.1	2	gasket 18x22
250	04428940	1	screw
251	0.010.2899.0	1	gasket 26x31
252	04435708	1	small sump m 30x2
300	0.010.2899.1	1	pipng
305	04417470	1	tongue
306	01118737	1	'o' ring 22 x 27
310	04435710	1	tongue
311	04427593	1	bottom m 26x1.5
330	04435711	1	tube
335	04417707	1	pipe fitting
340	04417466	1	pipe fitting
341	04423731	1	'o' ring 14 x 18
400	0.010.2899.2	1	tube
405	04417705	1	tongue
410	04417466	1	pipe fitting
411	04423731	1	'o' ring 14 x 18

Section: GEAR
GEARBOX FASTENERS

Fig.	Code	QTY	Name
1	01144689	2	screw m 16X140
2	01144482	2	screw m 12 x 100
3	01144484	4	screw m 16 h6 x 100
5	01127090	6	nut m 16
6	01125801	2	nut m12 d934-10



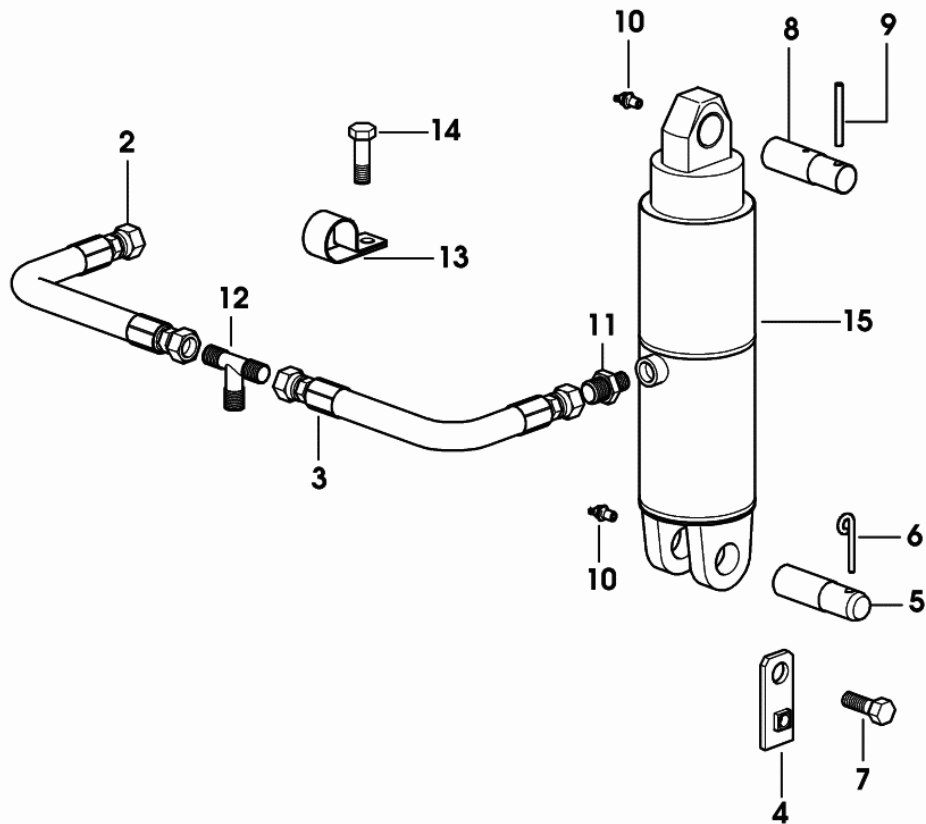
9_95331_01_0_0

Section: S.A.C.

LIFTING CYLINDER Ø MM 80

Fig.	Code	QTY	Name
2	04437645	1	tube dx/rh/re
3	04437646	1	tube sx/lh/li
4	04424522.4	1	support
5	04411319	2	pin Ø 35x106
6	04413585	2	stop
7	01112407	2	screw m 10 x 20, d933
8	04437636	2	pin
9	01115495	2	pin
10	01120700	4	lubricator cm 8 x 1
11	01179203	2	pipe fitting m 22 p.1.5x15
12	01127372	1	pipe fitting l 15 d3908
13	01211882	1	collar
14	01103316	1	screw m 6 p.1.0 x 16
15	04411182.4/10	2	jack Ø 80

COMPONENT PARTS SEE
COMPONENTS LIST
☞ 04411182.4/10
☞ 0D.00.41



9_95359_22_0_0

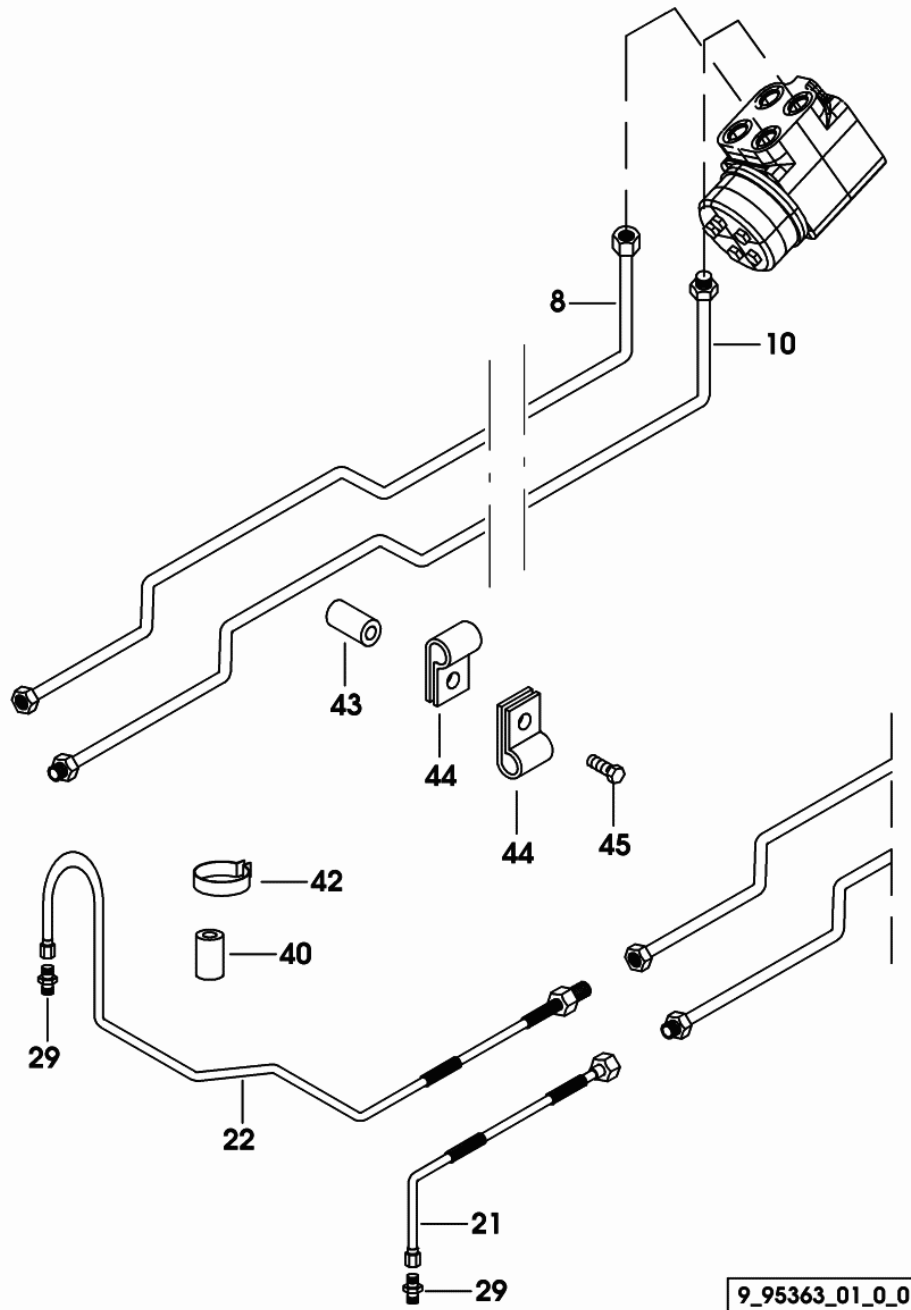
Agrottron 110 MK3 -> 8090

Section: POWER STEERING - HYDRAULIC SYSTEM

Ref.: 06.00.4

HYDROSTATIC STEERING WITHOUT FRONT SUSPENSION

Fig.	Code	QTY	Name
8	04424721	1	tube
10	04416526	1	tube
21	04438364	1	tube
22	04438366	1	tube
29	01179243	2	pipe fitting M 14X1.5X10
40	01175701	3	rubber sleeve G12X19X25 (...) <- X Agrottron 106 MK3 (...) <- X Agrottron 110 MK3 (...) <- X Agrottron 115 MK3
40	01175701	2	rubber sleeve G12X19X25 -> (...) X Agrottron 106 MK3 -> (...) X Agrottron 110 MK3 -> (...) X Agrottron 115 MK3
42	01173352	1	clamp (...) <- X Agrottron 106 MK3 (...) <- X Agrottron 110 MK3 (...) <- X Agrottron 115 MK3
42	01173352	2	clamp -> (...) X Agrottron 106 MK3 -> (...) X Agrottron 110 MK3 -> (...) X Agrottron 115 MK3
43	04355272	2	bushing 9x13x16
44	01220008	4	hose clip B10X20
45	01112356	2	screw m 8 x 40



OIL SUPPLY - LOAD SENSING

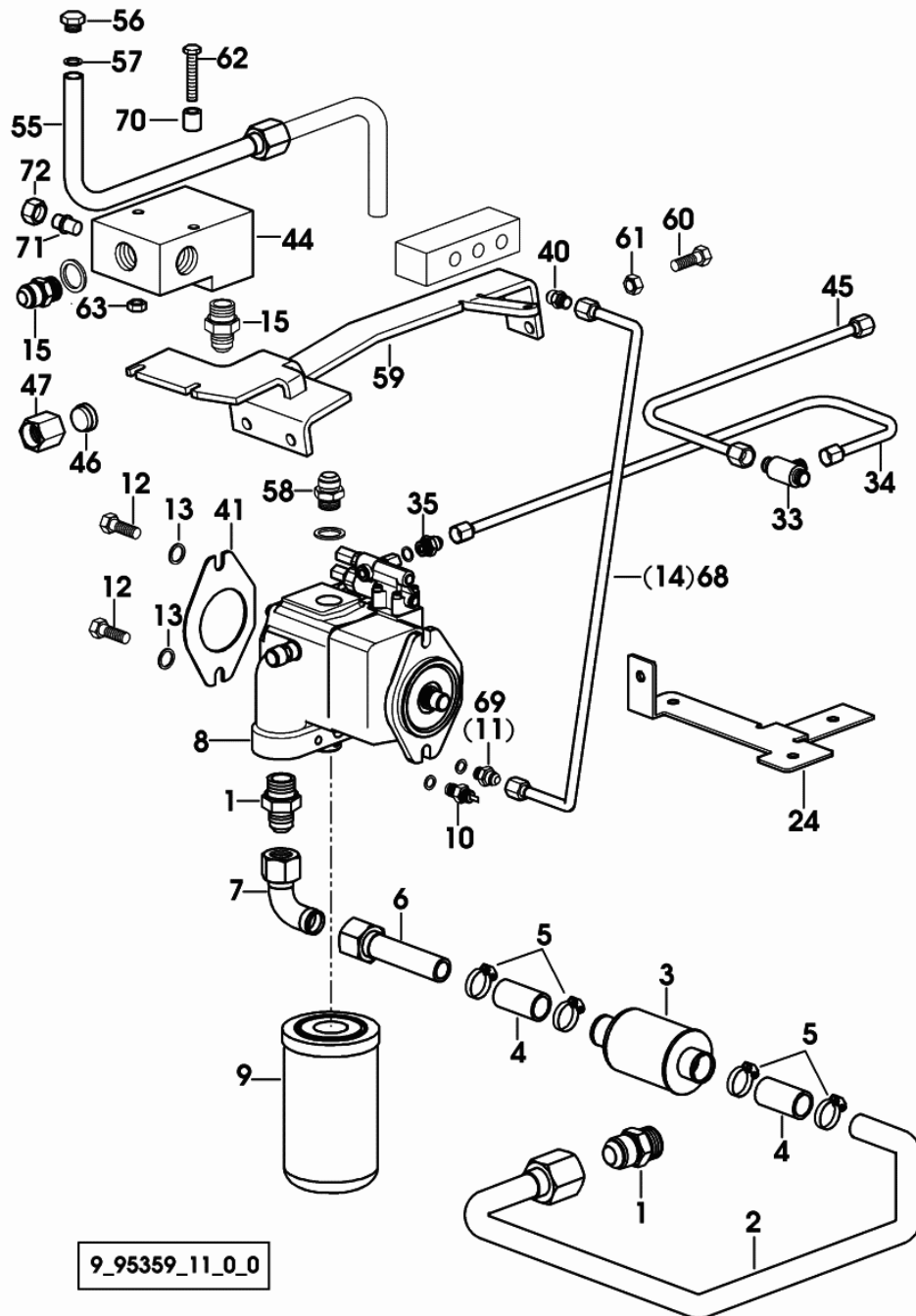


Fig.	Code	QTY	Name
71	01180564	1	plug
72	01127346	1	nut

PUMP FILTER SUCTION - FOR TYPES WITHOUT PNEUMATIC BRAKE LOAD SENSING

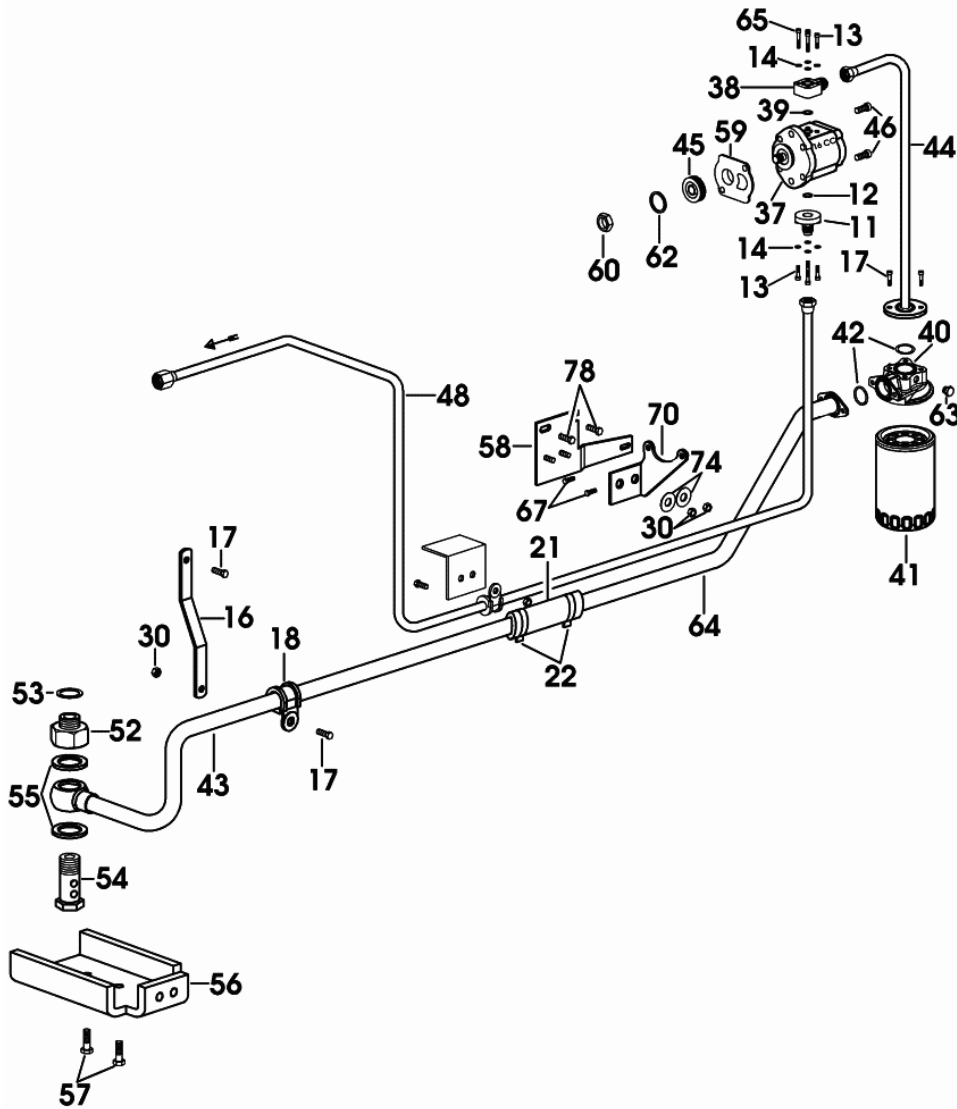


Fig.	Code	QTY	Name
------	------	-----	------

Notes:

1305 <- X Agrotron 106 MK3 1128 <- X Agrotron 110 MK3 1324 <- X Agrotron 115 MK3

11	04450491	1	flange
12	06214809	1	'o' ring 18x2,5
13	01110515	6	screw m 6 x 20
14	01102797	8	washer 6, d128
17	01129110	6	screw m 8 p.1.25 x 20
18	01213283	1	clamp Ø 20/28
21	06261568	1	flexible hose Ø 28.6 / L = mm 200
22	01166378	4	hose clip Ø15/38
30	01112824	4	nut m 8, d934
37	04450322	1	hydraulic pump 16 ccm COMPONENT PARTS SEE COMPONENTS LIST ☞ 04450322 ☞ 06.00.17
38	16054977	1	flange Ø 28 / m 36 p.2
39	04361481	1	ring 26x2.5
40	2.4419.350.1/40	1	head
41	2.4419.350.0	1	hydr.oil filter elem FT 4944
42	2.1530.095.0	2	'o' ring 36.14x2.62
43	04450314/10	1	pipng
44	04450553	1	pipng
45	04255907	1	gear
46	01122365	2	screw M 10X110
48	04450509	1	pipng
52	04450492	1	power control
53	02315144	1	'o' ring 38x2.5
54	01139203	1	pipe union m 30 x 1,5
55	01118784	2	'o' ring 30x36x2 d7603
56	04450482.4	1	sump
57	01136944	4	screw m 18x40
58	04450560.4	1	support
59	02239230	1	gasket
60	01262635	1	nut
62	01160962	1	'o' ring 1468 <- X Agrotron 106 MK3 1186 <- X Agrotron 110 MK3 1456 <- X Agrotron 115 MK3
63	04450524	1	plug
64	04450547	1	pipng

9_95363_04_0_E

Agrotron 110 MK3 -> 8090

WHEELS

GENERAL

FIXING WHEELS m 20 p.1.5.....	09.00.1
TYRE VALVE.....	09.00.2
WHEELS 14.9R24" 126A8.....	09.00.3
WHEELS 16.9R24" 134A8.....	09.00.4
WHEELS 16.9R24" 134A8.....	09.00.5
WHEELS 16.9R24" 134A8.....	09.00.6
WHEELS 420/70 R24".....	09.00.7
WHEELS 480/70R24" 138A8.....	09.00.8
WHEELS 480/70R24" 138A8.....	09.00.9
WHEELS 480/70R24" 138A8.....	09.00.10
WHEELS 540/65 R24" 135 A8.....	09.00.11
WHEELS 540/65 R24" 135 A8.....	09.00.12
WHEELS 11.2 R32" 134 A8.....	09.00.13
WHEELS 16.9R38" 141A8.....	09.00.14
WHEELS 16.9R38" 141A8.....	09.00.15
WHEELS 18.4R-38" a8.....	09.00.16
WHEELS 18.4R-38" a8.....	09.00.17
WHEELS 18.4R-38" a8.....	09.00.18
WHEELS 520/70R38" 150A8-TL.....	09.00.19
WHEELS 600/65R38" 147 A8.....	09.00.20
WHEELS 600/65R38" 147 A8.....	09.00.21
WHEELS 12.4R46" 145 A8.....	09.00.22

Section: WHEELS

WHEELS 480/70R24" 138A8

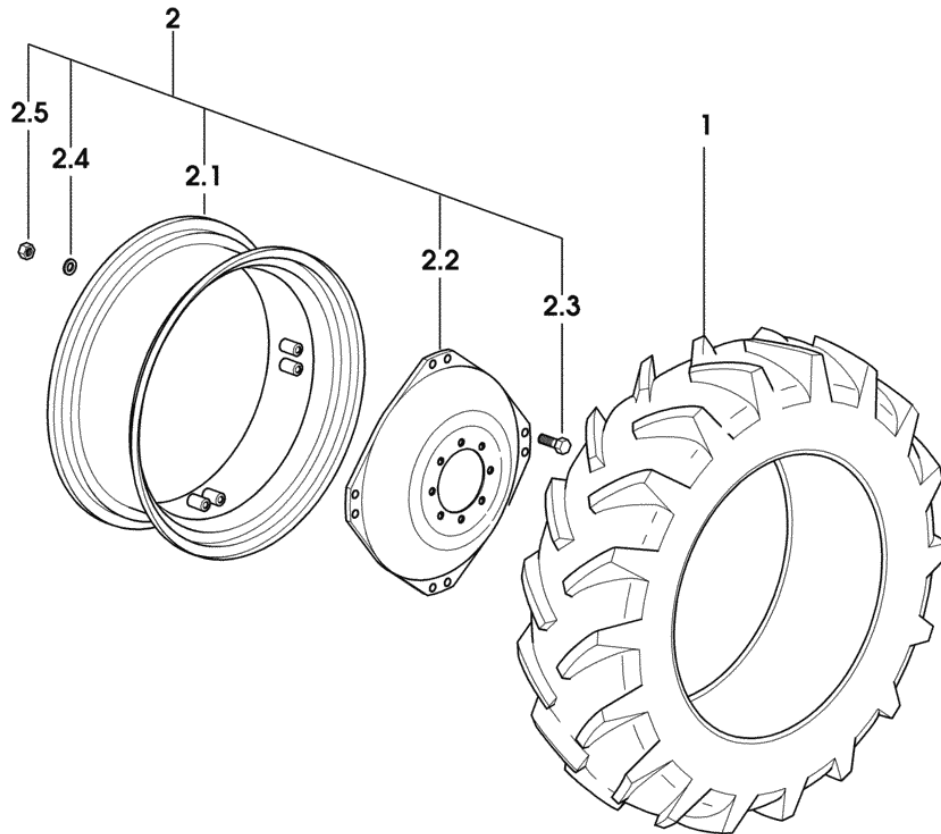


Fig.	Code	QTY	Name
1	2.4811.090.0	2	tyre 480/70R24"
2	0.000.0000.1	0	not serviceable
2.1	04425891	1	rim W 15Lx24"
2.2	04425884	1	rim center flange
2.3	04425885	8	screw m 16 p.1.5
2.4	04425886	8	washer
2.5	04425887	8	nut m 16 p.1.5

9_95355_32_0_0

CLICK HERE TO **DOWNLOAD** THE COMPLETE MANUAL

- Thank you very much for reading the preview of the manual.
- You can download the complete manual from: www.heydownloads.com by clicking the link below



- Please note: If there is no response to CLICKING the link, please download this PDF first and then click on it.

CLICK HERE TO **DOWNLOAD** THE COMPLETE MANUAL