

Agrotron 108 -> 8110 1001

ACCESSORIES

GENERAL

4-WAY HYDRAULIC CONTROL VALVE OPEN CENTER.....	0E.00.1
4-WAY HYDRAULIC CONTROL VALVE - WITH SUSPENDED AXLE OPEN CENTER.....	0E.00.2
4-WAY HYDRAULIC CONTROL VALVE LOAD SENSING.....	0E.00.3
4-WAY HYDRAULIC CONTROL VALVE.....	0E.00.4
4-WAY HYDRAULIC CONTROL VALVE.....	0E.00.5
8-WAY HYDRAULIC CONTROL VALVE OPEN CENTER.....	0E.00.6
8-WAY HYDRAULIC CONTROL VALVE - WITH SUSPENDED AXLE OPEN CENTER.....	0E.00.7
8-WAY HYDRAULIC CONTROL VALVE LOAD SENSING.....	0E.00.8
8-WAY HYDRAULIC CONTROL VALVE.....	0E.00.9
8-WAY HYDRAULIC CONTROL VALVE.....	0E.00.10
FLOW CONTROL FOR 4-WAY DIRECTIONAL CONTROL VALVE.....	0E.00.11
FLOW CONTROL FOR 8-WAY CONTROL VALVE.....	0E.00.12
AUXILIARY HYDRAULIC DISTRIBUTOR.....	0E.00.13
REAR FREE RETURN - NOT PRESSURIZED.....	0E.00.14
4-WAY QUICK-ACTION COUPLERS.....	0E.00.15
8-WAY QUICK-ACTION COUPLERS.....	0E.00.16
4-WAY CONTROL VALVES - OIL RECOVERY.....	0E.00.17
4-WAY CONTROL VALVES - OIL RECOVERY.....	0E.00.18
8-WAY CONTROL VALVES - OIL RECOVERY.....	0E.00.19
8-WAY CONTROL VALVES - OIL RECOVERY.....	0E.00.20
3 POINT HITCH - LIFTING ARMS cat. 3.....	0E.00.21
3 POINT HITCH - LIFTING ARMS.....	0E.00.22
3 POINT HITCH.....	0E.00.23
3-POINT HITCH - ADJUSTABLE RH RODS.....	0E.00.24
3-POINT HITCH - ADJUSTABLE RH RODS.....	0E.00.25
3-POINT HITCH - SIDE STABILIZERS.....	0E.00.26
3-POINT HITCH - SIDE STABILIZERS.....	0E.00.27
3-POINT HITCH - SIDE STABILIZERS.....	0E.00.28
RETAINER FOR COLLECTING TRAY FOR TYPES WITH 145 mm REAR FENDER EXTENSIONS sx/lh/li.....	0E.00.29
RETAINER FOR COLLECTING TRAY.....	0E.00.30
REAR TOWING HITCH CAT: "C" ITALY.....	0E.00.31
REAR TOWING HITCH CAT: "D2" ITALY.....	0E.00.32
REAR TOWING HITCH CAT: "D3" ITALY.....	0E.00.33
AUTOMATIC DRAWBAR COUPLING mm 30.8.....	0E.00.34
TOWING COUPLING, AUTOM. MM 37.....	0E.00.35
TOWING COUPLING AUTOM. MM 37 - DRAWBAR EYE MM 50.....	0E.00.36
REAR TOWING HITCH mm 37 X 50 Km/H.....	0E.00.37
DRAWBAR COUPLING MECH.....	0E.00.38
REAR TOWING HITCH BRACKET.....	0E.00.39
REAR TOWING HITCH BRACKET ITALY.....	0E.00.40

CLICK HERE TO **DOWNLOAD** THE COMPLETE MANUAL

- Thank you very much for reading the preview of the manual.
- You can download the complete manual from: www.heydownloads.com by clicking the link below



- Please note: If there is no response to CLICKING the link, please download this PDF first and then click on it.

CLICK HERE TO **DOWNLOAD** THE COMPLETE MANUAL

4-WAY HYDRAULIC CONTROL VALVE

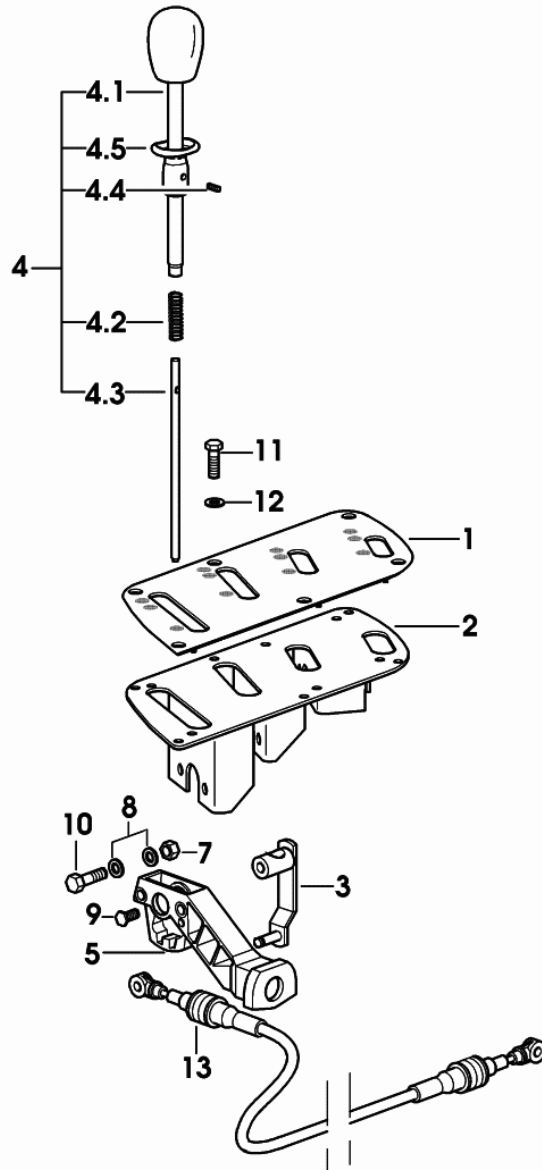


Fig.	Code	QTY	Name
1	04429247	1	plate
2	04429301.4	1	crosspiece
3	04423032.4	2	lever
4	04423028.4	2	lever
4.1	04423023.4	1	gear lever
4.2	04426194	1	spring
4.3	04425215	1	rod
4.4	01144807	1	screw
4.5	04411645	1	support
5	04425445/10	2	support
7	01136452	4	nut vm 8 d980
8	01138374	8	washer 8,4x21x4
9	04423712	2	screw
10	01124457	4	screw m 8 x 45
11	04429756	6	screw
12	01139990	6	washer
13	04429750	2	rod

9_95388_30_0_0

8-WAY HYDRAULIC CONTROL VALVE LOAD SENSING

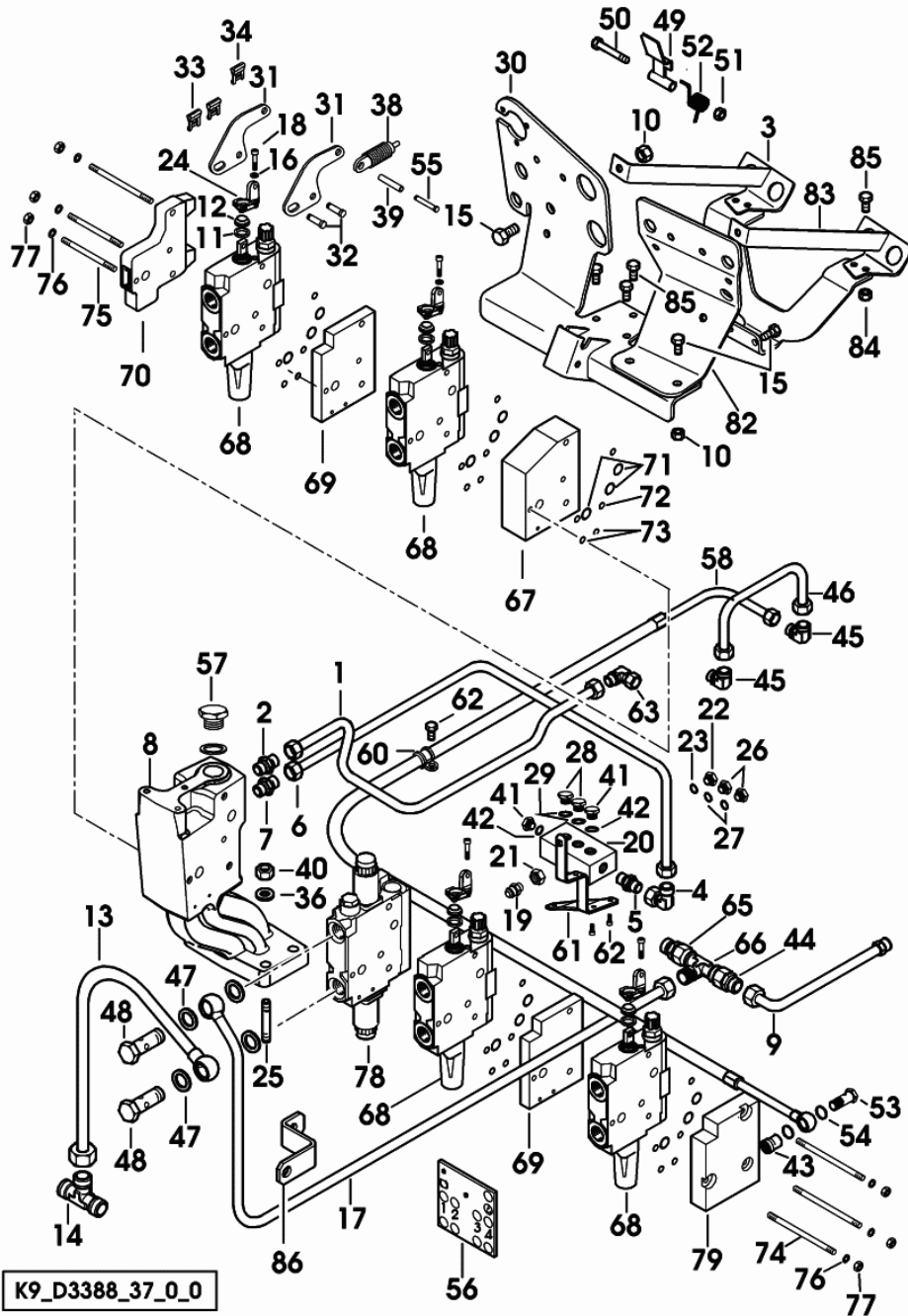
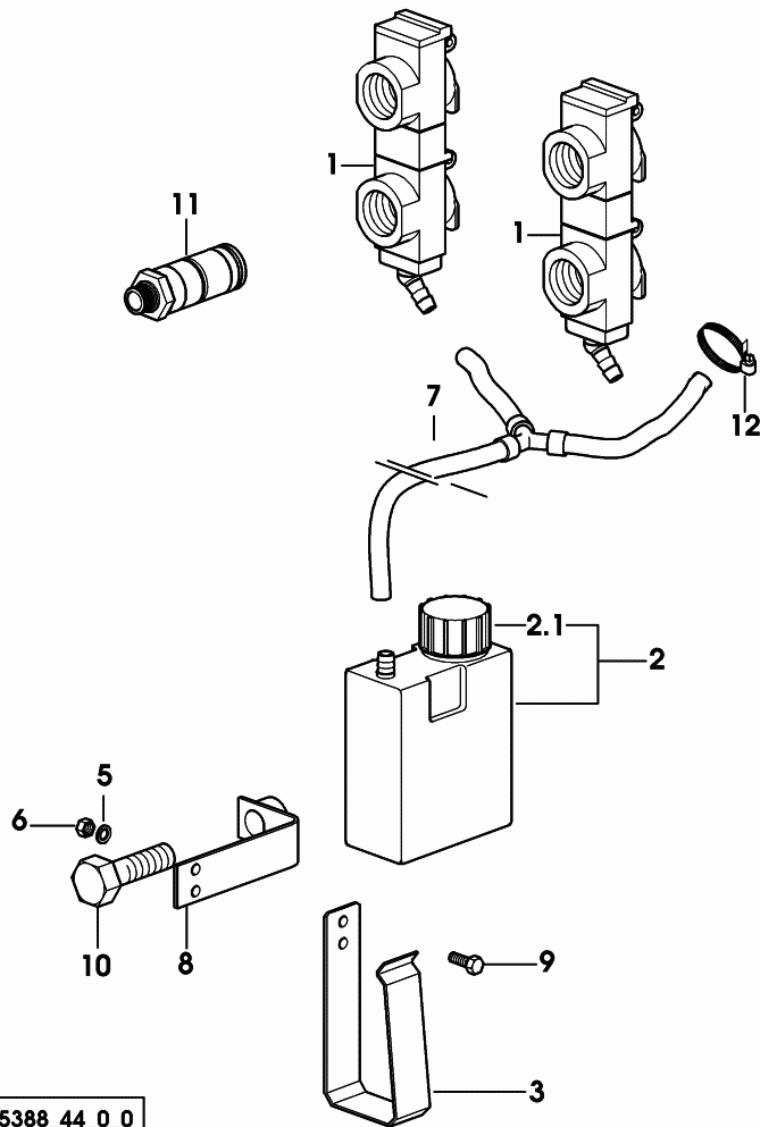


Fig.	Code	QTY	Name
84	01136452	2	nut vm 8 d980
85	01112322	5	screw m 8 p.1.25 x 20
86	04452311	1	support

4-WAY CONTROL VALVES - OIL RECOVERY

Fig.	Code	QTY	Name
1	04438516.4	2	small block
2	04426824.4	1	tank 600 cm ³
2.1	04428375	1	plug
3	04426826	1	tank support
5	00810311	2	washer 6.4
6	01133500	2	nut vm 6 d980
7	04433076.4	1	rubber tube
8	04427959	1	bracket
9	01103316	2	screw m 6 p.1.0 x 16
10	01144803	1	screw m 18 p.1.5x40
11	04412157/10	4	coupling
12	04437395	2	clamp

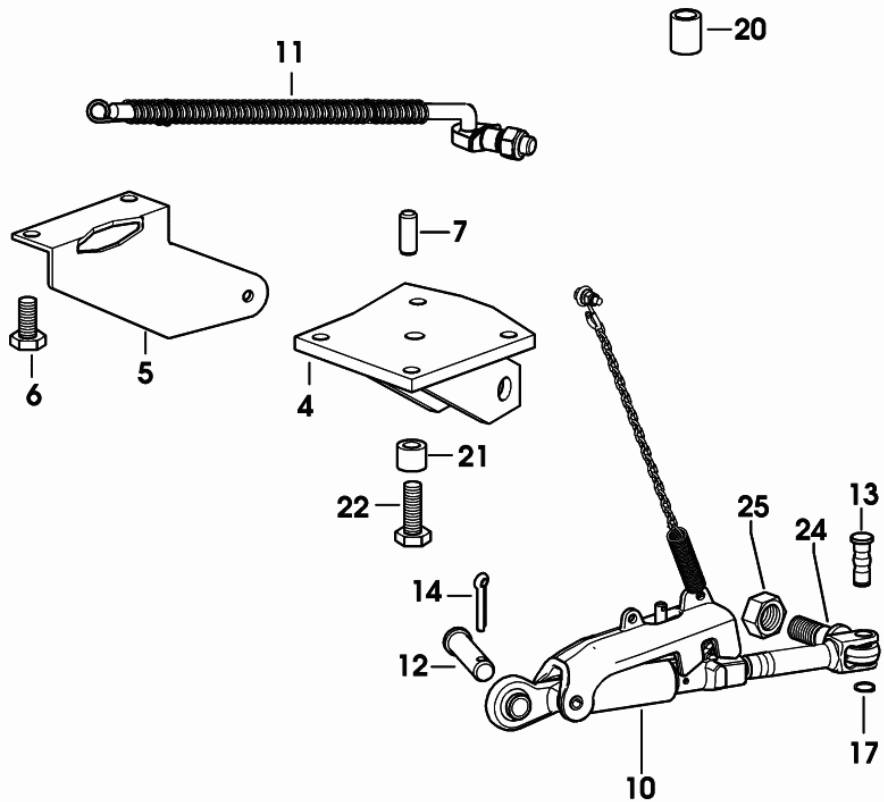


9_95388_44_0_0

Section: ACCESSORIES

3-POINT HITCH - SIDE STABILIZERS

Fig.	Code	QTY	Name
4	04411063	1	small plate sx/lh/li
5	04416256	1	plate
6	01112683	2	screw m 16 x 40
7	01105237	1	stop m 6x24
10	0.012.9801.4/10	1	stabiliser
			COMPONENT PARTS SEE COMPONENTS LIST
			☞ 0.012.9801.4/10
			☞ 0E.00.63
11	04414942.4	1	support
			COMPONENT PARTS SEE COMPONENTS LIST
			☞ 04414942.4
			☞ 0E.00.64
12	04414819	1	pin
13	04414932	1	pin
14	01157380	1	pin 10x55 d1481
17	01143888	1	ring
20	04355272	1	bushing 9x13x16
21	04422335	4	spacer 17x30.5x24
22	04422336	4	screw m 16 x 70
24	04435435	1	screw 3-PK
25	2.1120.014.2	1	nut

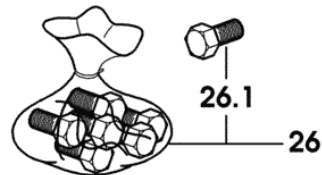
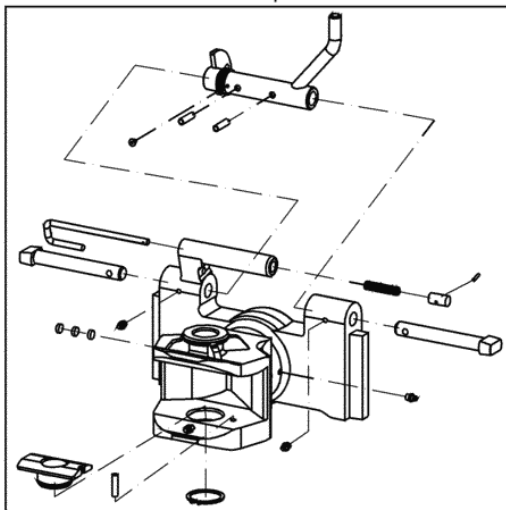
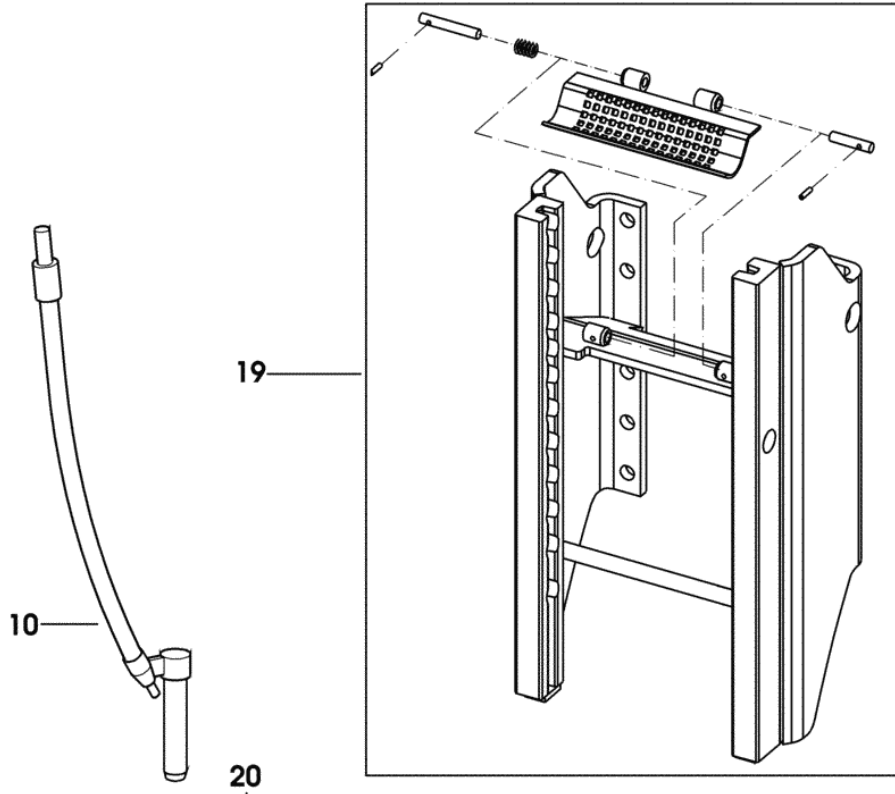


9_95358_41_0_0

Section: ACCESSORIES

DRAWBAR COUPLING MECH.

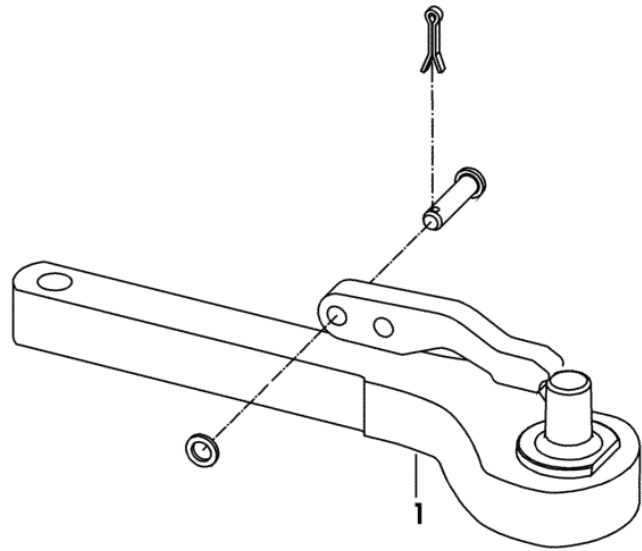
Fig.	Code	QTY	Name
10	04417886	1	pin
19	04419879	1	chassis frame COMPONENT PARTS SEE COMPONENTS LIST ☞ 04419879 ☞ 0E.00.72
20	04419880	1	tow hook COMPONENT PARTS SEE COMPONENTS LIST ☞ 04419880 ☞ 0E.00.73
26	04431243	1	screw
26.1	01144803	8	screw m 18 p.1.5x40



9_95331_63_0_0

TOWING BAR

Fig.	Code	QTY	Name
1	04426458.4	1	draw bar COMPONENT PARTS SEE COMPONENTS LIST ☞ 04426458.4 ☞ 0E.00.80

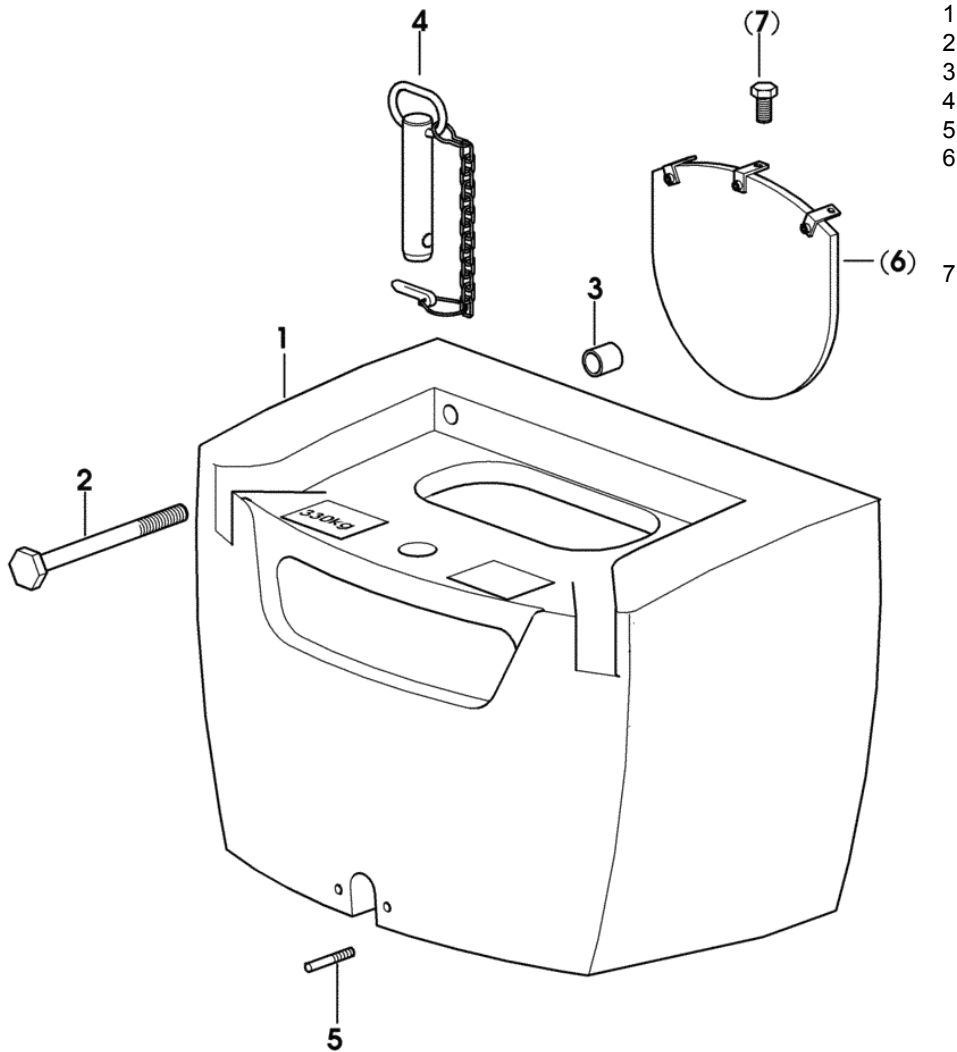


9_95331_71_0_0

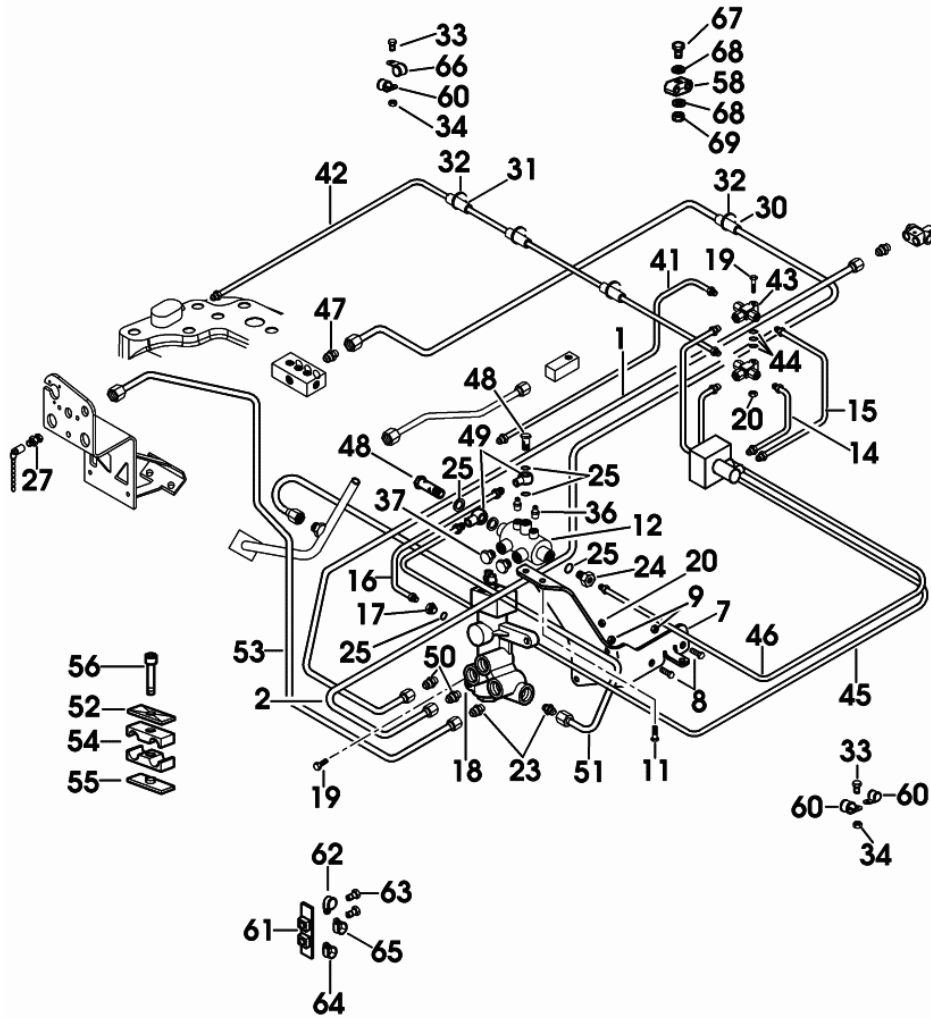
Section: ACCESSORIES

FRONT BALLAST 330 Kg

Fig.	Code	QTY	Name
1	04432782/20	1	ballast 330 Kg
2	01144479	4	screw m 16 x 120
3	04388695	2	bushing 17x22x23
4	04414118.4	1	pin
5	01123863	1	grain 8 x 60
6	04419917.4	1	plate 1477 <- X Agrotron 108 1454 <- X Agrotron 118 1321 <- X Agrotron 128
7	04417408	1	screw 4.2x13 1477 <- X Agrotron 108 1454 <- X Agrotron 118 1321 <- X Agrotron 128



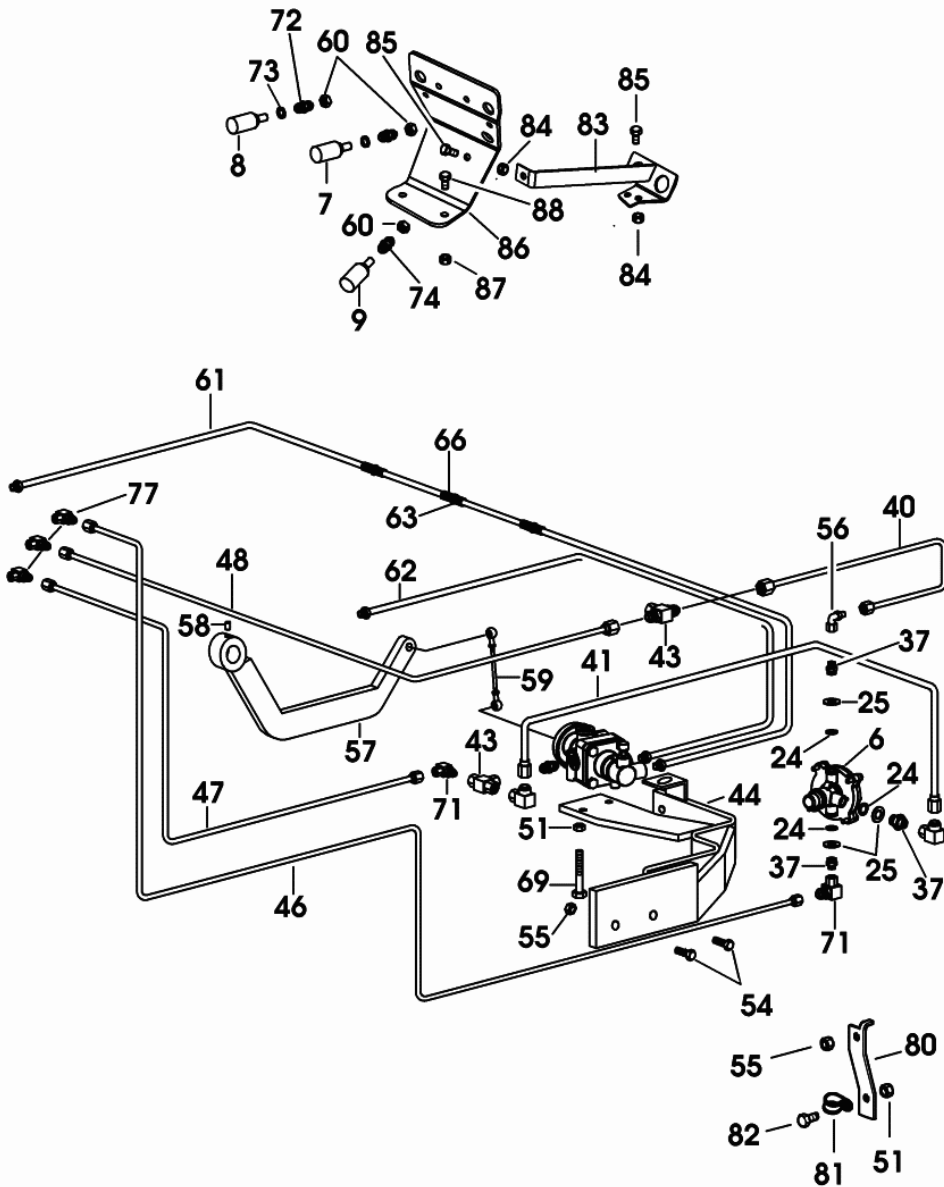
HYDRAULIC BREAKING FOR TRAILER - EXPORT F - FOR TYPES WITH PNEUMATIC BRAKE



K9_D3389_01_0_0

Fig.	Code	QTY	Name
1	04450323	1	pipng
2	04450324	1	pipng
7	04452957/20	1	support
8	01112418	2	screw m 10 x 25, d933
9	01102659	2	nut m 10, d934
11	01112322	1	screw m 8 p.1.25 x 20
12	04422528	1	valve
14	04436621	1	tube sx/lh/li
15	04436622	1	tube dx/rh/re
16	04452953	1	pipng
17	04419604	1	power control
18	04452780	1	valve
			COMPONENT PARTS SEE COMPONENTS LIST
			☞ 04452780
			☞ 0E.00.83
19	01103734	3	screw m8x55 d931-10
20	01112824	3	nut m 8, d934
23	04428400	2	pipe fitting
24	03420517	1	pipe union m 12 p.1/ m 14 p.1.5
25	01118693	5	gasket 14x20
27	04307317	1	coupling
30	02382224	3	sleeve 12
31	01216315	4	rubber plug
32	01172065	8	clamp 4.6 x 146
33	01111052	2	bolt
34	01112813	2	nut m 6
36	04434833	2	valve
37	01137743	2	plug m 14 p.1.5
41	04436620	1	tube dx/rh/re
42	04436619	1	tube sx/lh/li
43	03499196	2	pipe fitting T
44	01107101	3	washer 8.4
45	04451609	1	pipng
46	04451608	1	pipng
47	01177450	1	pipe fitting m 22 p.1.5x18
48	02318392	2	pipe union
49	03410829	2	pipe fitting
50	04419602	2	pipe fitting
51	04451850	1	pipng
52	01175616	2	small plate
53	04452303	1	pipng

AIR BRAKING



K9_D3389_15_0_B

Fig.	Code	QTY	Name
			-> 1459 X Agrotron 108
			-> 1443 X Agrotron 118
			-> 1309 X Agrotron 128
87	01112824	2	nut m 8, d934
88	01112311	2	screw m 8 x 18

Section: BODY WORK
HOOD - SUPPORTS

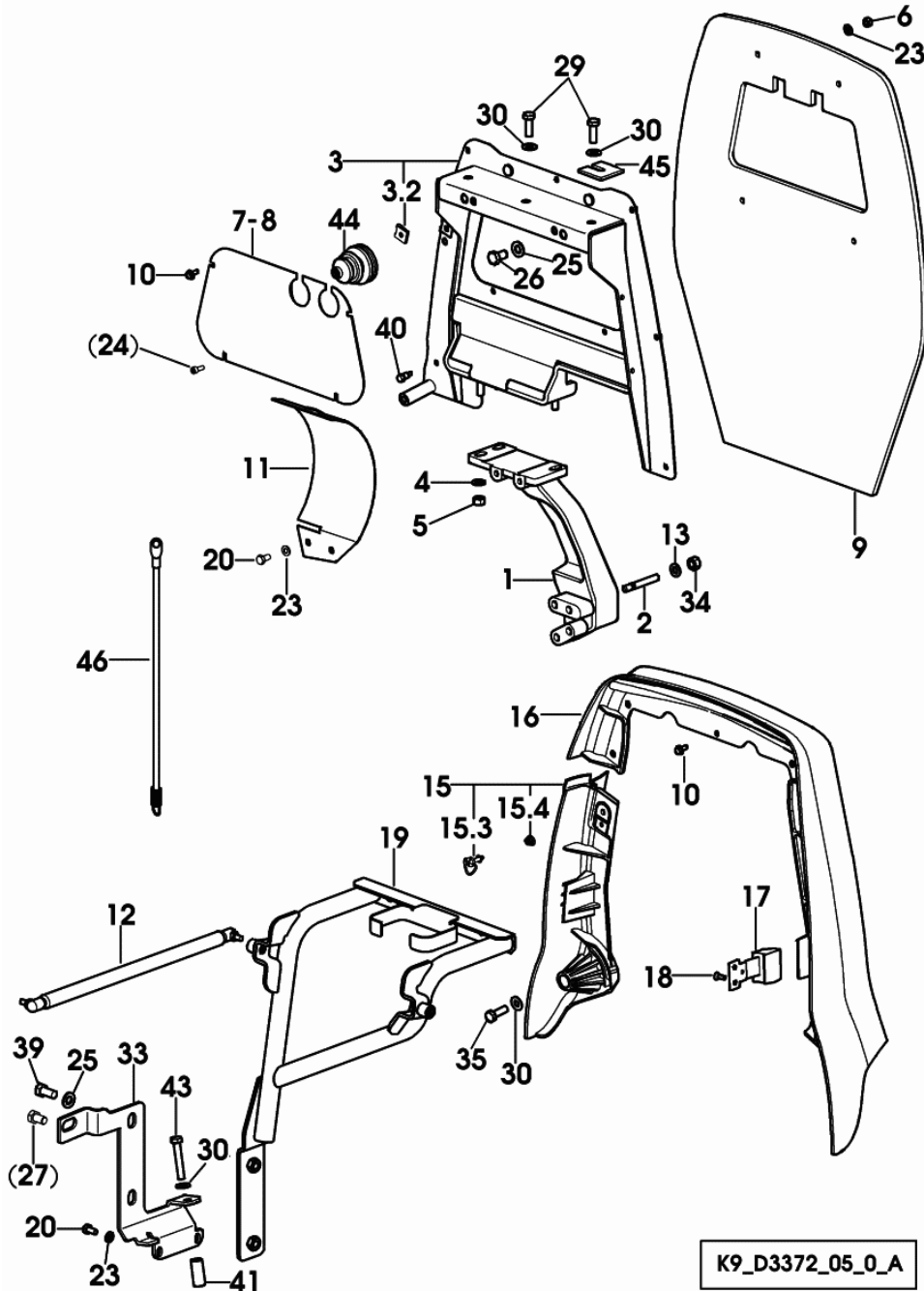


Fig.	Code	QTY	Name
29	2.0112.309.2	3	screw m 10 p.1.5 x 25 -> 1493 - 1506 <- X Agrotron 108 -> 1469 - 1473 <- X Agrotron 118 -> 1376 - 1376 <- X Agrotron 128
29	2.0112.311.2	3	screw m 10 p.1.5 x 30 -> 1507 X Agrotron 108 -> 1474 X Agrotron 118 -> 1377 X Agrotron 128
30	2.1310.006.2	3	flat washer 10.5 1492 <- X Agrotron 108 1468 <- X Agrotron 118 1375 <- X Agrotron 128
30	2.1310.006.2	5	flat washer 10.5 -> 1493 X Agrotron 108 -> 1469 X Agrotron 118 -> 1376 X Agrotron 128
33	0.013.7157.0	1	support 1492 <- X Agrotron 108 1468 <- X Agrotron 118 1375 <- X Agrotron 128
33	0.013.7157.0/10	1	support -> 1493 - 1506 <- X Agrotron 108 -> 1469 - 1473 <- X Agrotron 118 -> 1376 - 1376 <- X Agrotron 128
33	0.013.7157.0/20	1	support -> 1507 X Agrotron 108 -> 1474 X Agrotron 118 -> 1377 X Agrotron 128
34	2.1121.107.2	4	selflock nut m 10 p 1.25
35	2.0112.311.6	1	screw m 10 p 1.5x30 -> 1493 X Agrotron 108 -> 1469 X Agrotron 118 -> 1376 X Agrotron 128
39	2.0112.409.2	2	screw m 12 p.1.75 x 25 -> 1493 X Agrotron 108 -> 1469 X Agrotron 118 -> 1376 X Agrotron 128
40	2.0119.312.2	1	screw m 6 x 8 -> 1493 X Agrotron 108 -> 1469 X Agrotron 118 -> 1376 X Agrotron 128
41	04452906	1	spacer block -> 1493 X Agrotron 108 -> 1469 X Agrotron 118

Section: BODY WORK
MECHANICAL CAB SUSPENSION

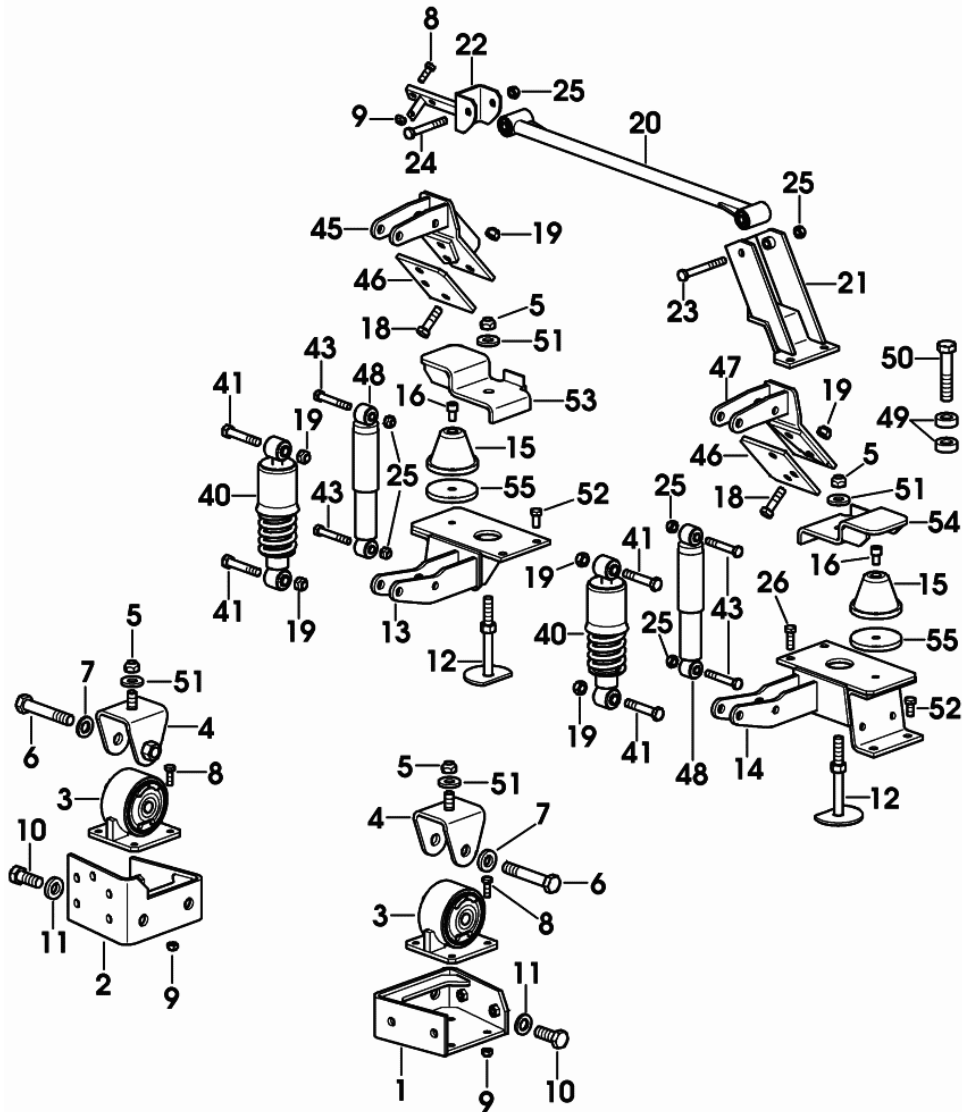


Fig.	Code	QTY	Name
1	0.013.4924.3/10	1	bracket sx/lh/li
2	0.013.5475.3	1	bracket dx/rh/re
3	0.013.4925.4	2	silent-block
4	0.013.4926.3	2	support
5	2.1121.011.2	4	nut m 16
6	2.0113.831.2	2	screw
7	2.1475.108.2	2	spring washer 20
8	2.0112.311.2	6	screw m 10 p.1.5 x 30
9	2.1121.007.2	10	nut m 10 p.1.5
10	01114065	4	screw m 20x50
11	01167055	4	washer 20.5x40
12	0.012.4519.4/10	2	rod m 16
13	0.013.5158.2	1	support dx/rh/re
14	0.013.5156.2	1	support sx/lh/li
15	0.011.3290.2/10	2	stopper
16	2.0312.406.2	2	screw m 12 p.1.75 x 20
18	2.0114.517.2	6	screw m 14 x 50
19	2.1121.010.2	10	nut m 14 p.2
20	04426843.4	1	stabiliser
21	04427784	1	bearing block sx/lh/li
22	04427785	1	joint
23	2.0112.430.2	1	screw m 12x105
24	2.0112.427.2	1	screw m 12 p.1.75 x 90
25	2.1121.008.2	6	nut m 12
26	2.0112.413.2	2	screw m 12 p.1.75x35
40	04426628	2	spring
41	2.0112.524.2	4	screw m 14 p.2 x 75
43	2.0112.424.2	4	screw m 12 p.1.75x75
45	0.013.5122.2	1	support dx/rh/re
46	0.013.5006.0	2	plate
47	0.013.5064.2	1	support sx/lh/li
48	0.011.2068.4	2	shoch.absorber
49	04451293	2	washer
50	2.0113.829.7	1	screw
51	01139580	4	washer 17
52	2.0112.409.2	6	screw m 12 p.1.75 x 25
53	0.013.5153.2	1	bracket dx/rh/re
54	0.013.5155.2	1	bracket sx/lh/li
55	0.012.3165.0	2	washer Ø 95 / 12.5

K9_D3376_01_0_0

Section: BODY WORK

FRONT MUDGUARDS mm 265

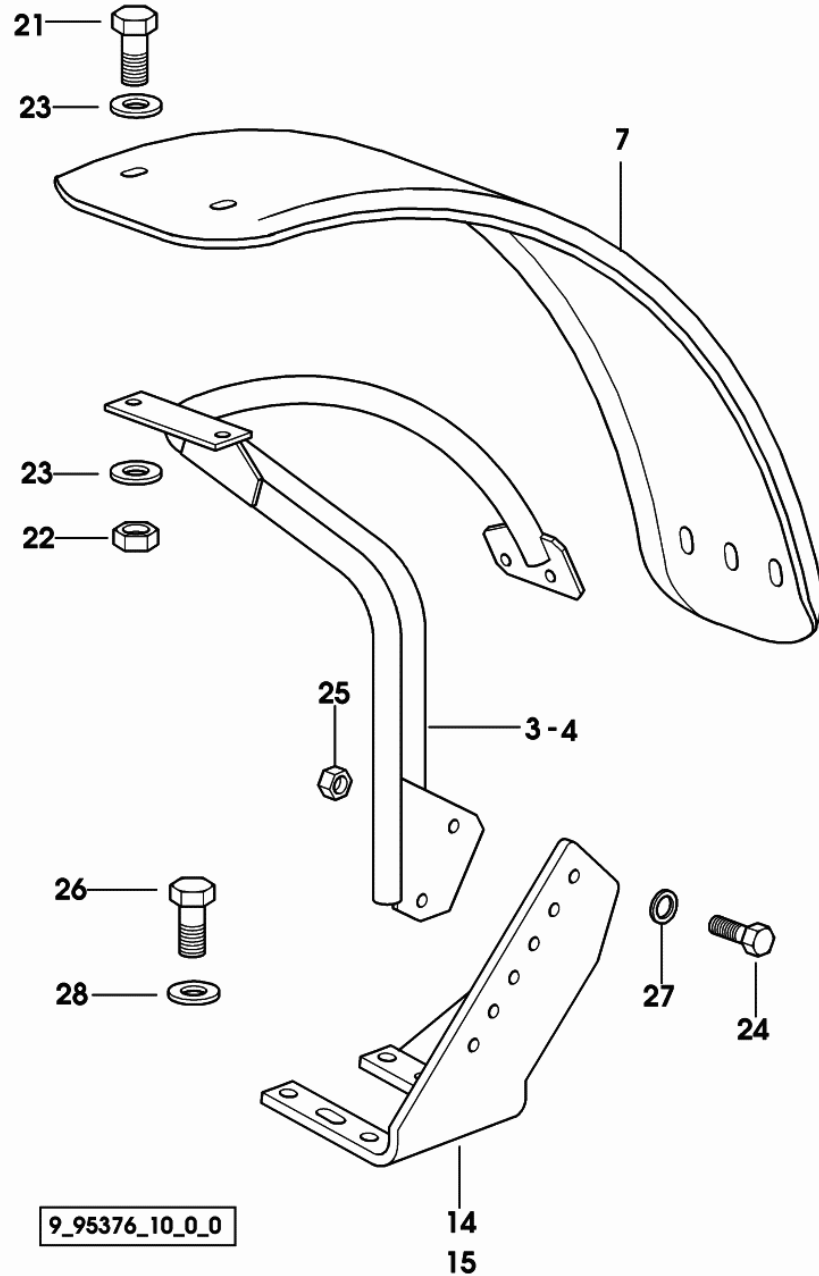


Fig.	Code	QTY	Name
3	04416236	1	support dx/rh/re
4	04416237	1	support sx/lh/li
7	04414843	2	fender mm 265
14	04416249	1	lining dx/rh/re
15	04416250	1	lining sx/lh/li
21	01112333	8	screw m 8 x 25, d933
22	01136452	8	nut vm 8 d980
23	02312618	8	washer
24	01124837	4	screw m12x50 d933
25	01125801	4	nut m12 d934-10
26	01112679	8	screw m 16 x 35
27	01174738	8	flat washer 12.5x26x6
28	01139580	8	washer 17

Section: BODY WORK
FRONT MUDGUARDS mm 540

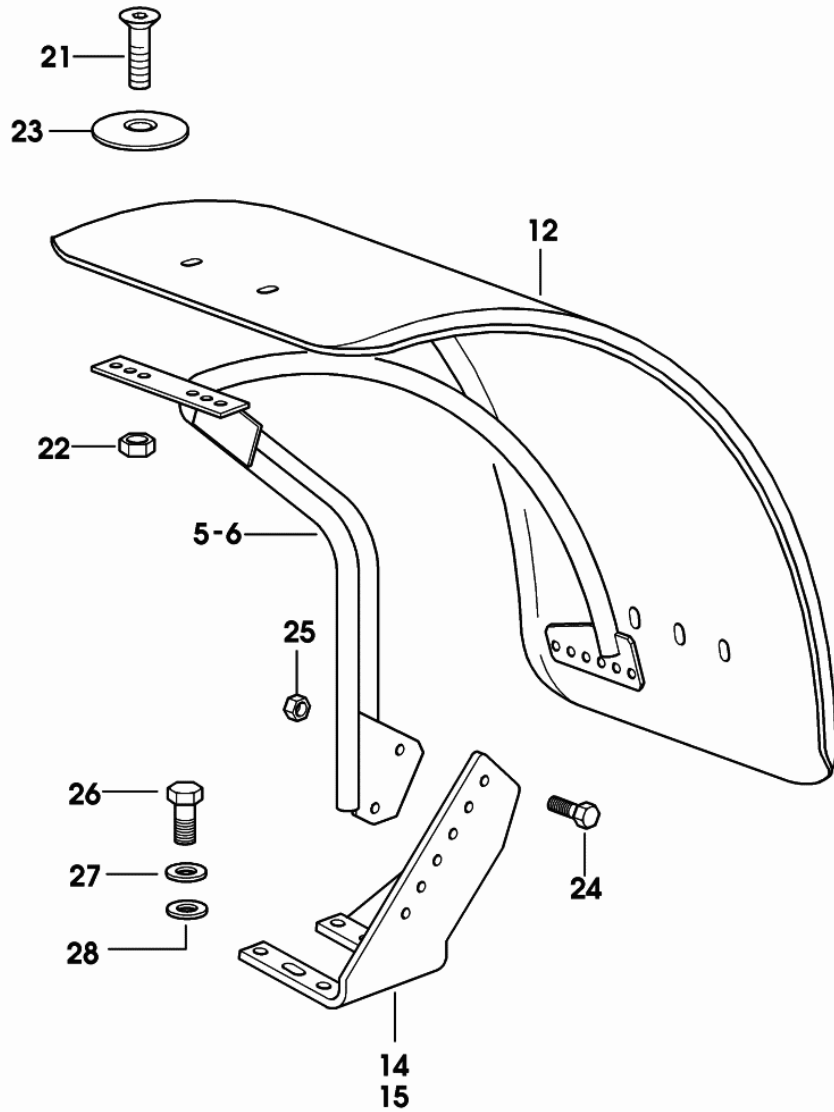


Fig.	Code	QTY	Name
5	04416239	1	support dx/rh/re
6	04416240	1	support sx/lh/li
12	04415576	2	fender mm 540
14	04416249	1	lining dx/rh/re
15	04416250	1	lining sx/lh/li
21	2.0342.308.3	8	screw m 8 p.1.25 x 30
22	2.1011.105.3	8	nut
23	2.1399.016.0	8	washer
24	01124837	4	screw m12x50 d933
25	01125801	4	nut m12 d934-10
26	01112679	8	screw m 16 x 35
27	01174738	8	flat washer 12.5x26x6
28	01139580	8	washer 17

9_95376_18_0_0

Section: BODY WORK
FUEL SYSTEM - TANK

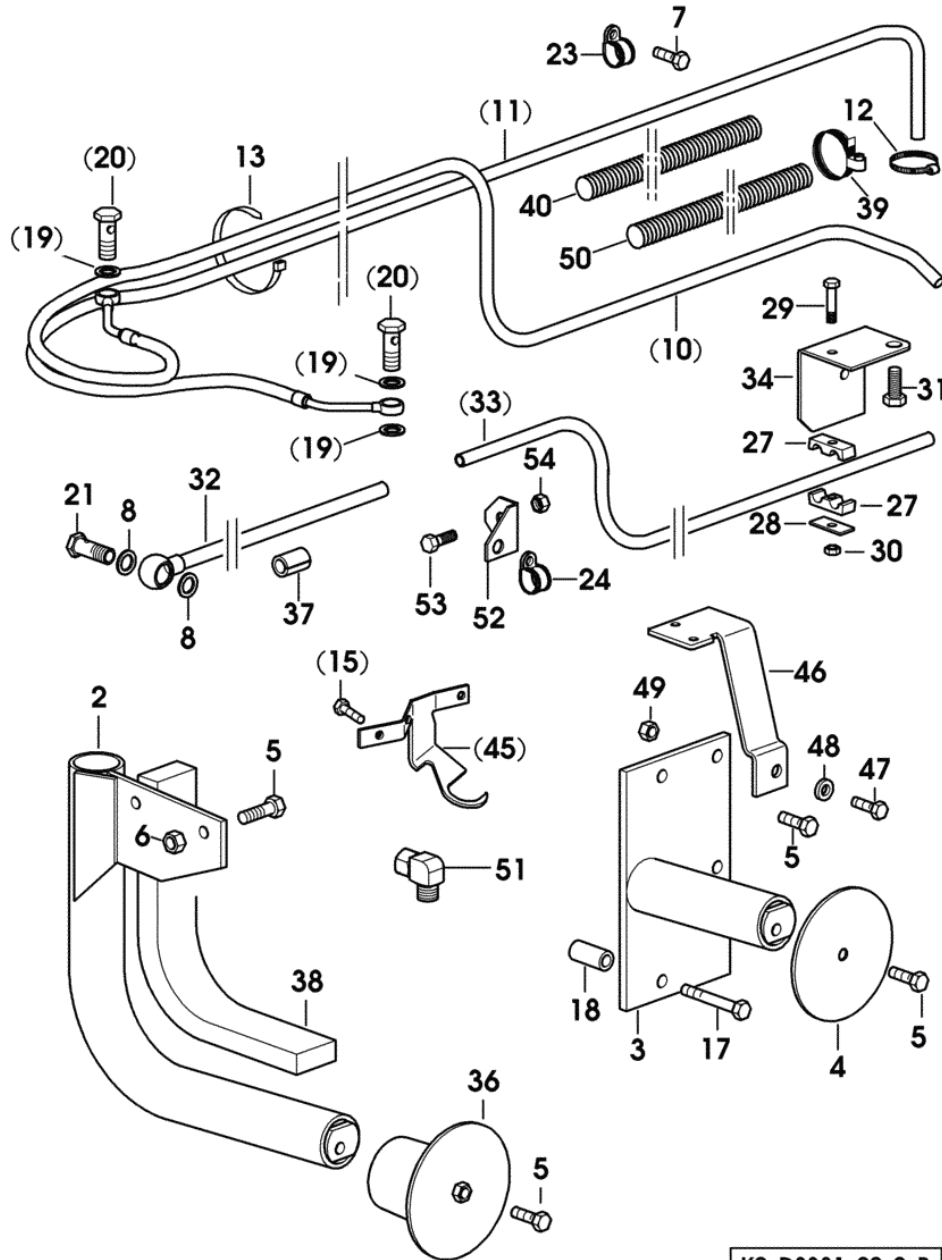


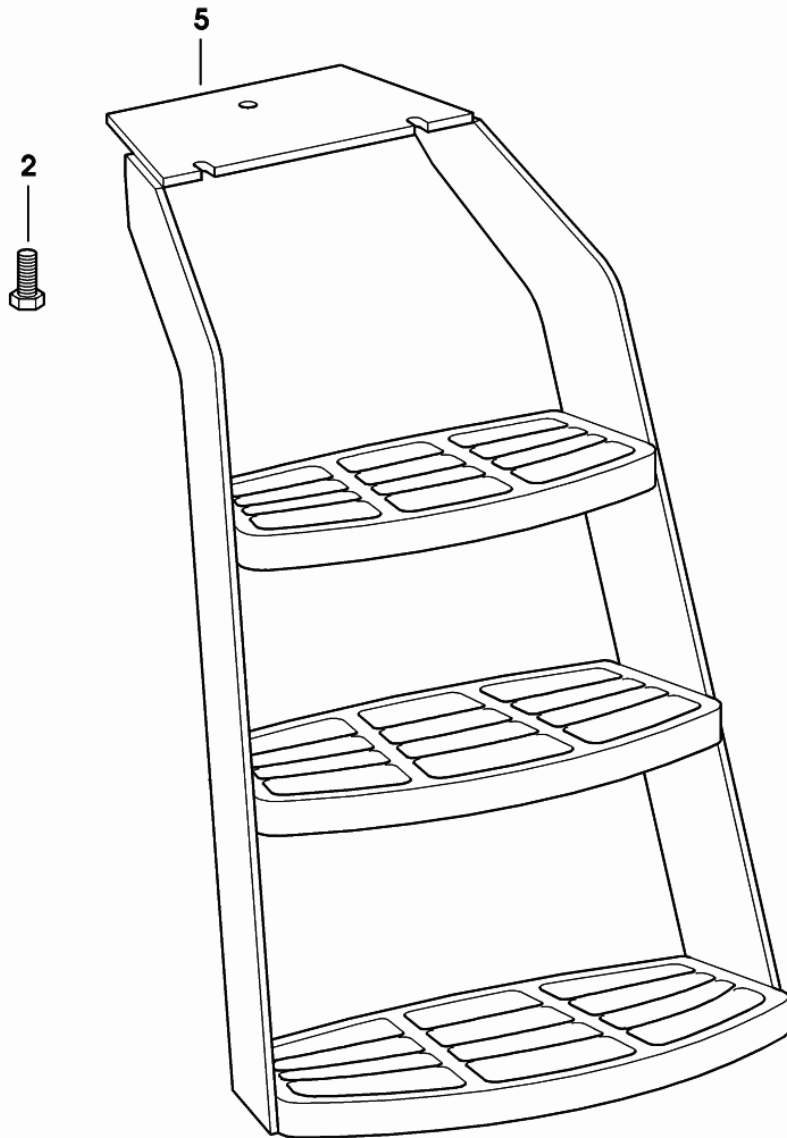
Fig.	Code	QTY	Name
2	04411965	1	support
3	04411085	1	support
4	04413213	1	washer
5	01144473	5	screw m 12 p.1.75x35
6	01112858	2	nut m 12, d934
7	01112307	2	screw m 8 p.1.25 x 15, d933
8	01118700	2	'o' ring Ø 16 x 20
12	01173965	3	clamp 10-16/9 h3461
13	01173952	10	band
17	01144695	1	screw
18	04411966	1	tube
21	2.3335.007.2	1	pipe union m 16 p.1.5
23	01172635	2	hose clip
24	2.6839.058.0	1	clamp Ø 17/20
27	04418659	2	terminal 12x10
28	01175616	1	small plate
29	01100101	1	screw m 6 x 45
30	01112813	1	nut m 6
31	01112529	1	screw m 12 x 30, d933
32	04452875	1	flexible hose
34	04428087	1	angular
36	04429298.4	1	stop
37	02382225	1	sleeve
38	04417679	1	ring
39	01172065	4	clamp 4.6 x 146
40	04452062	2	flexible hose
46	04452323	1	support
47	01112529	1	screw m 12 x 30, d933
48	01178434	1	washer 13X21X1.5
49	01136457	1	nut vm12 d980
50	04452063	1	guard
51	01144832	1	pipe fitting
52	04453089	1	square
53	2.0112.209.2	1	screw m 8 p.1.25 x 25
54	2.1011.105.2	2	nut m 8 p.1.25

K9_D3381_00_0_B

Section: BODY WORK

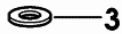
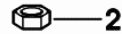
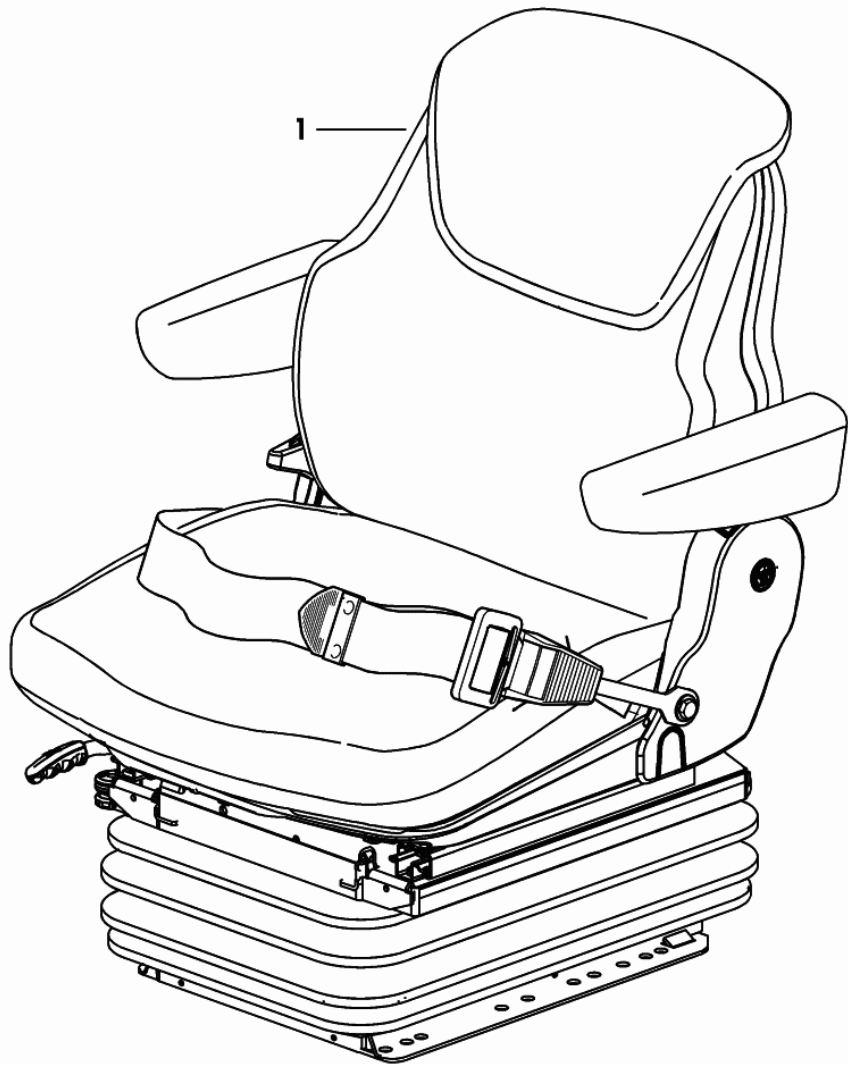
LADDER

Fig.	Code	QTY	Name
2	01144472	6	screw m10x30 d933
5	04428714.4	2	climbing steps



9_95376_03_0_0

DRIVER'S SEAT - AEROFIT MSG 95G/721



9_95375_01_0_0

Fig.	Code	QTY	Name
1	04429718.4	1	seat 1536 <- X Agrotron 108 1521 <- X Agrotron 118 1416 <- X Agrotron 128 COMPONENT PARTS SEE COMPONEN ☞ 04429718.4 ☞ 04429718.4 ☞ 07.00.24 ☞ 07.00.23
1	0.013.9595.4	1	sprung seat MSG 95G/721 -> 1537 X Agrotron 108 -> 1522 X Agrotron 118 -> 1417 X Agrotron 128 ☞ 0.013.9595.4 ☞ 0.013.9595.4
2	01112824	4	nut m 8, d934
3	01138374	4	washer 8,4x21x4

SPEED LABEL - 50 KM/H - REFLEX

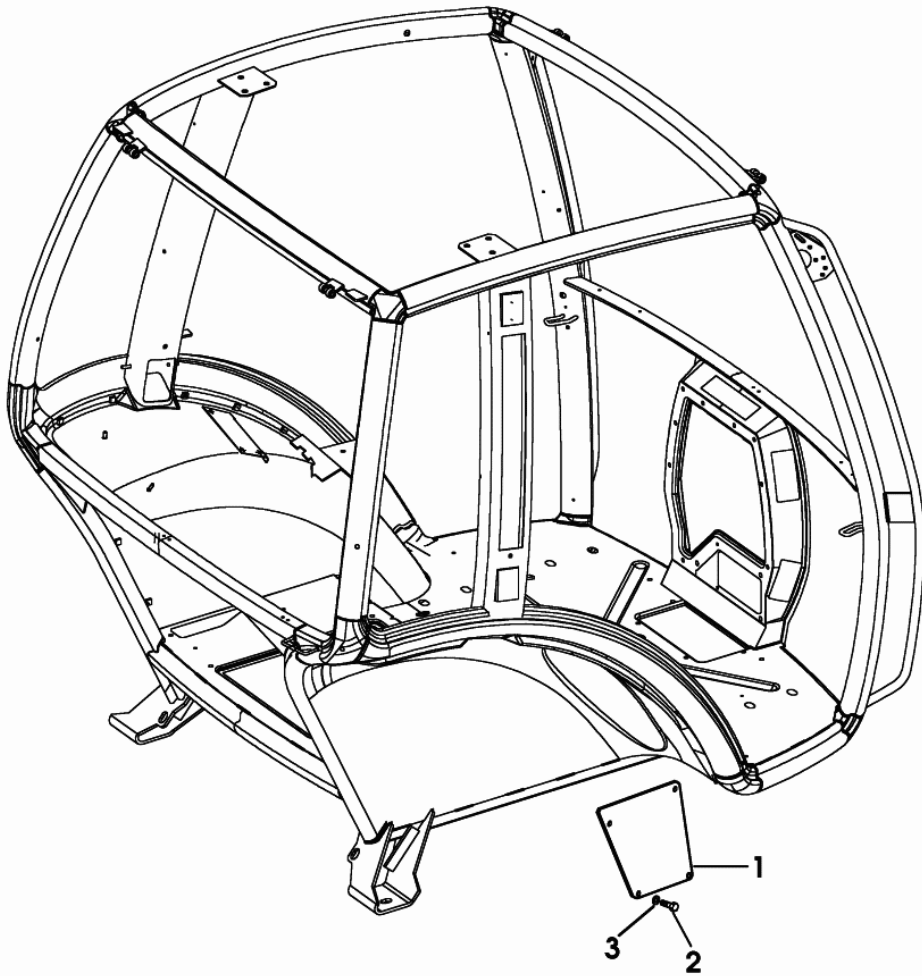
Fig.	Code	QTY	Name
1	04418917	1	plate 50 Km/h



9_95374_33_0_0

Section: CAB
END PLATE

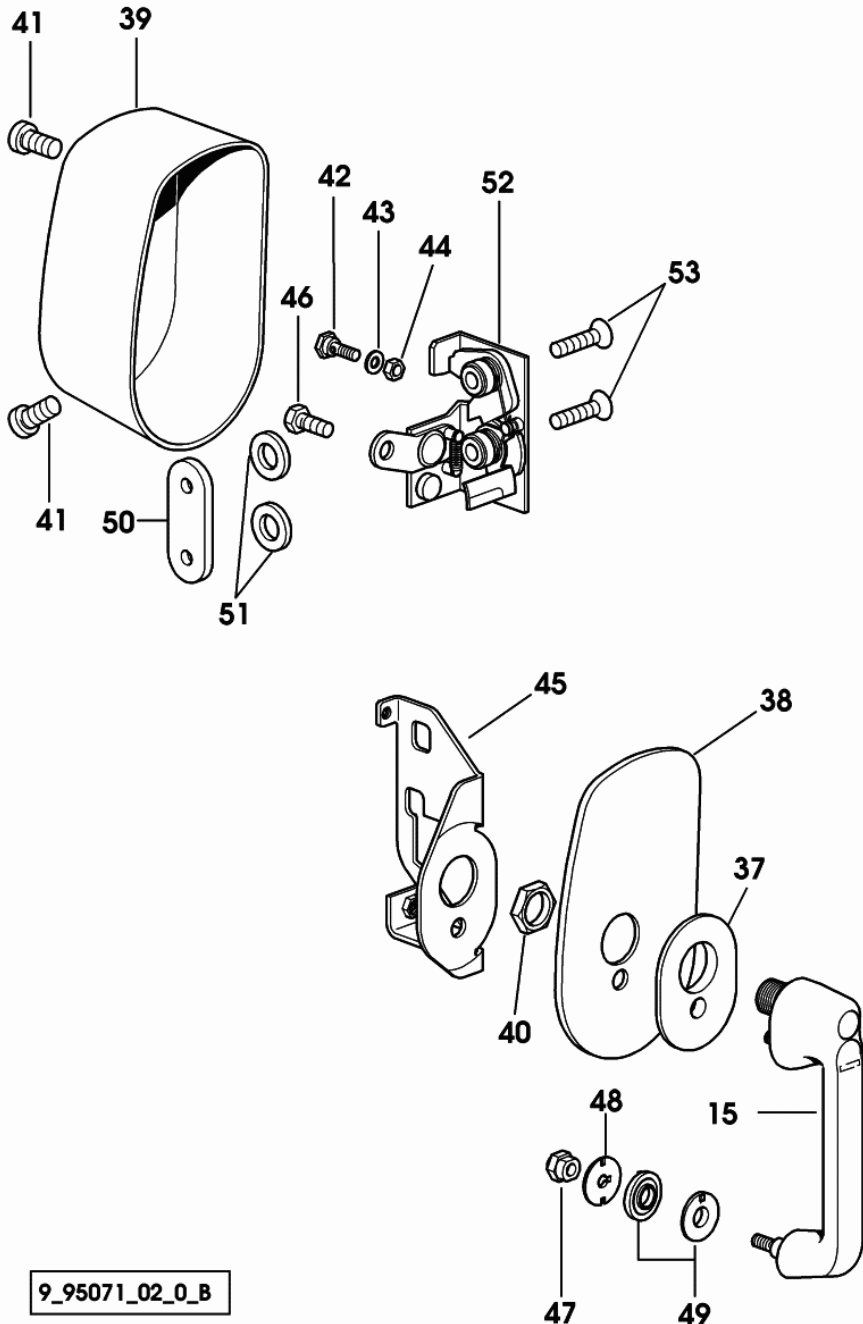
Fig.	Code	QTY	Name
1	04429853	1	plate
2	01103316	4	screw m 6 p.1.0 x 16
3	01151664	4	washer 6.4



9_95071_29_0_0

Section: CAB
CAB DOOR dx/rh/re

Fig.	Code	QTY	Name
15	0.013.0217.4	1	handle COMPONENT PARTS SEE COMPONENTS LIST ☞ 0.013.0217.4 ☞ 0B.00.48
37	04412845	1	stop
38	04413547	1	gasket
39	04438159	1	cover
40	04416537	1	nut m 28 x 1
41	04413811	2	screw m 6 p.1.0 x 16
42	04413581	1	screw
43	01151664	1	washer 6.4
44	01112813	1	nut m 6
45	04416201.4	1	support
46	01144692	1	screw m 8 p.1.25 x 20
47	04412846	1	union nut
48	04413572	1	washer
49	04413571	2	disc
50	04412840	1	small plate
51	04412841/10	2	washer
52	04413582	1	lock
53	04413568	2	screw m 8 x 35

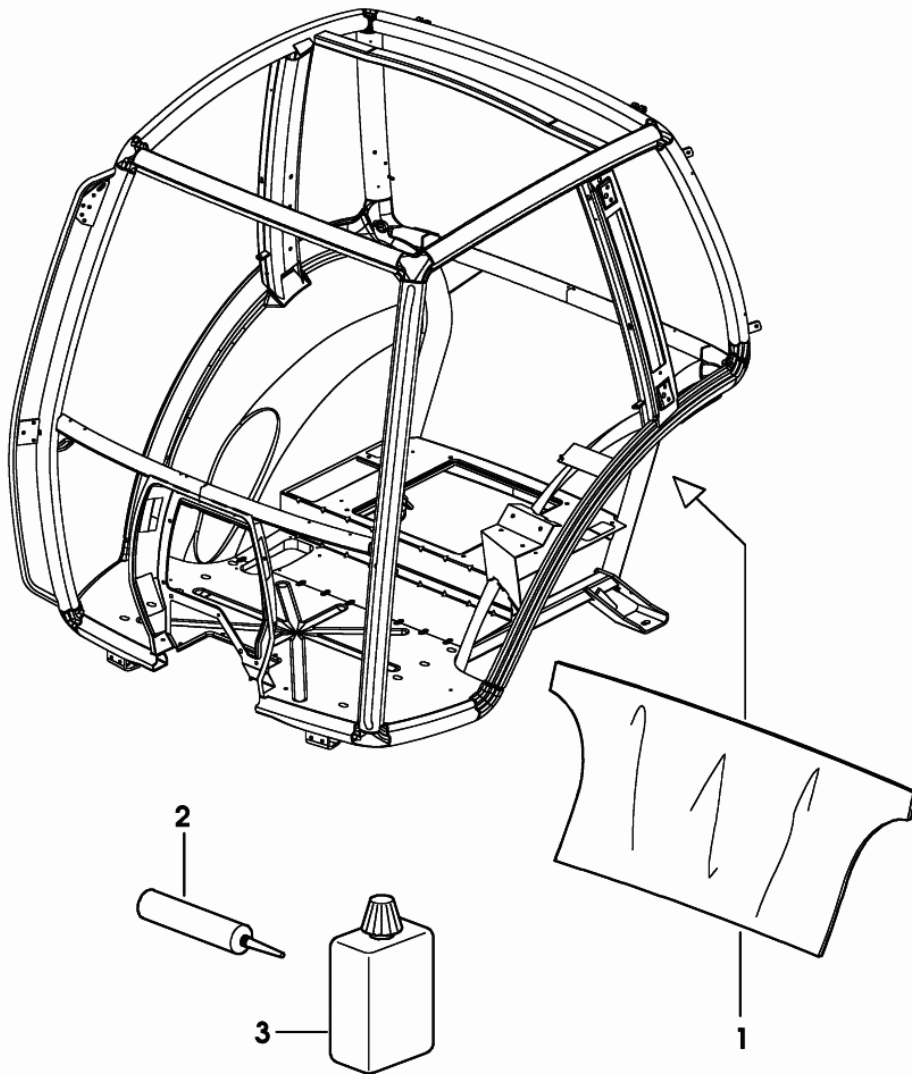


9_95071_02_0_B

Section: CAB

LOWER REAR WINDOW GLASS

Fig.	Code	QTY	Name
1	0.010.5210.0	1	glass
2	04414226	0	sealing compound HENKEL 211-342
3	04414225	0	genuine lubricants HENKEL 148785

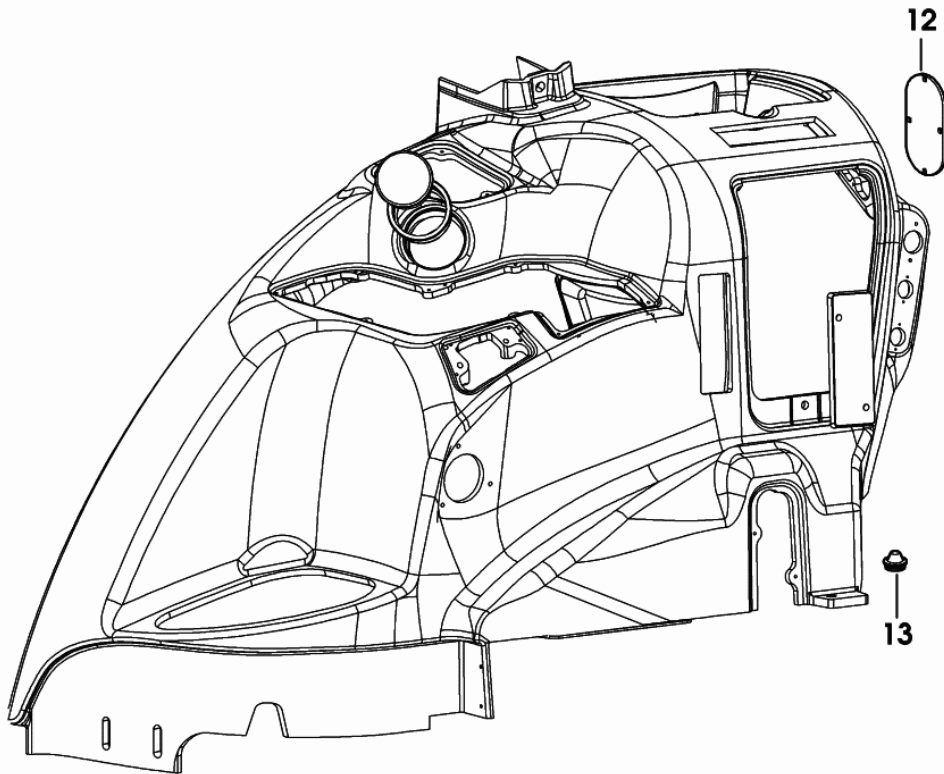


9_95071_18_0_0

Section: CAB

CONTROL CONSOLE RIGHT

Fig.	Code	QTY	Name
12	04429609	1	cover
13	04424188	1	rubber ring 16



9_95071_24_0_0

Section: CAB

ROOF WITH FRONT-OPENING HATCH

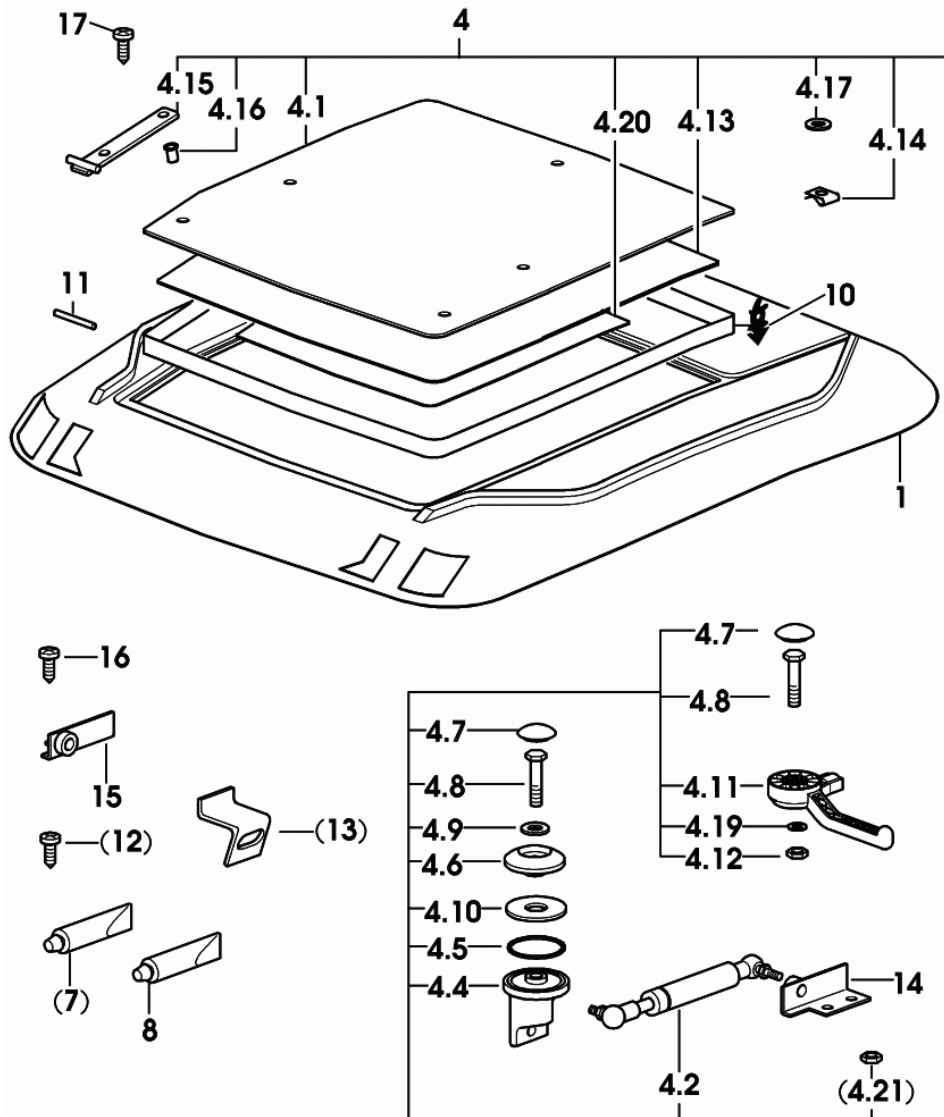
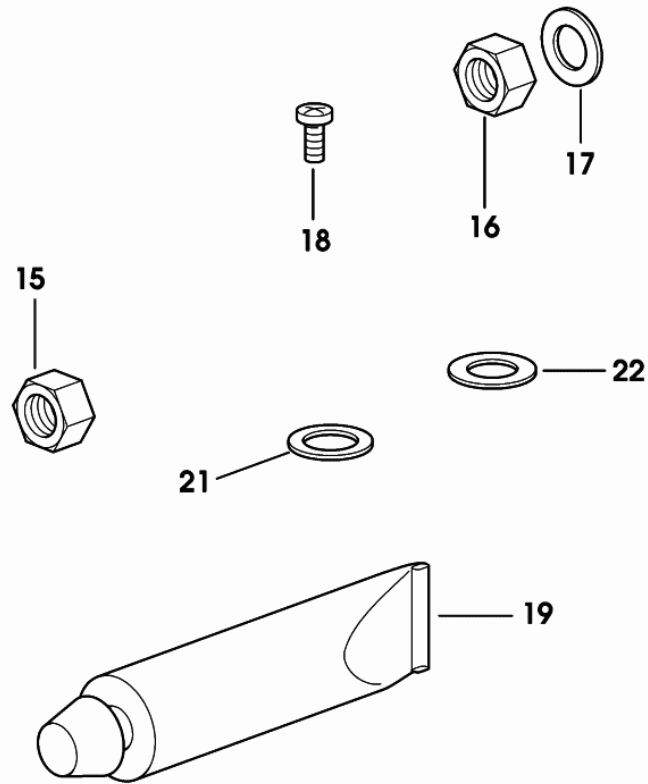


Fig.	Code	QTY	Name
1	04424631	1	sun roof
4	04429016.4/10	1	roof
4.1	04423606.4	1	roof
4.2	04414159	2	shoch.absorber
4.4	04418942	2	shoch.absorber
4.5	01166059	2	'o' ring 40x3
4.6	04412814	2	washer
4.7	04413793	3	cap
4.8	01112322	2	screw m 8 p.1.25 x 20
4.9	01136363	3	washer 8.4
4.10	04423119	4	washer
4.11	04426312	1	handle
4.12	01136452	1	nut vm 8 d980
4.13	04429023	1	lining
4.14	04424354	5	brace
4.15	04424352	2	hinge
4.16	04415867	4	stop
4.17	04415548	5	washer
4.19	04426324	1	washer
4.20	04439950	1	sound deadening
8	01016121	0	sealing compound
10	04418363	1	gasket
11	04418372	1	sealing section
14	04412343.4	1	consolle
15	04412344.4	1	consolle
16	04418662	4	screw m 6 x 25
17	04414187	4	screw m 6x18

9_95071_65_0_0

INTERIOR TRIM "HIGHT VISIBILITY"

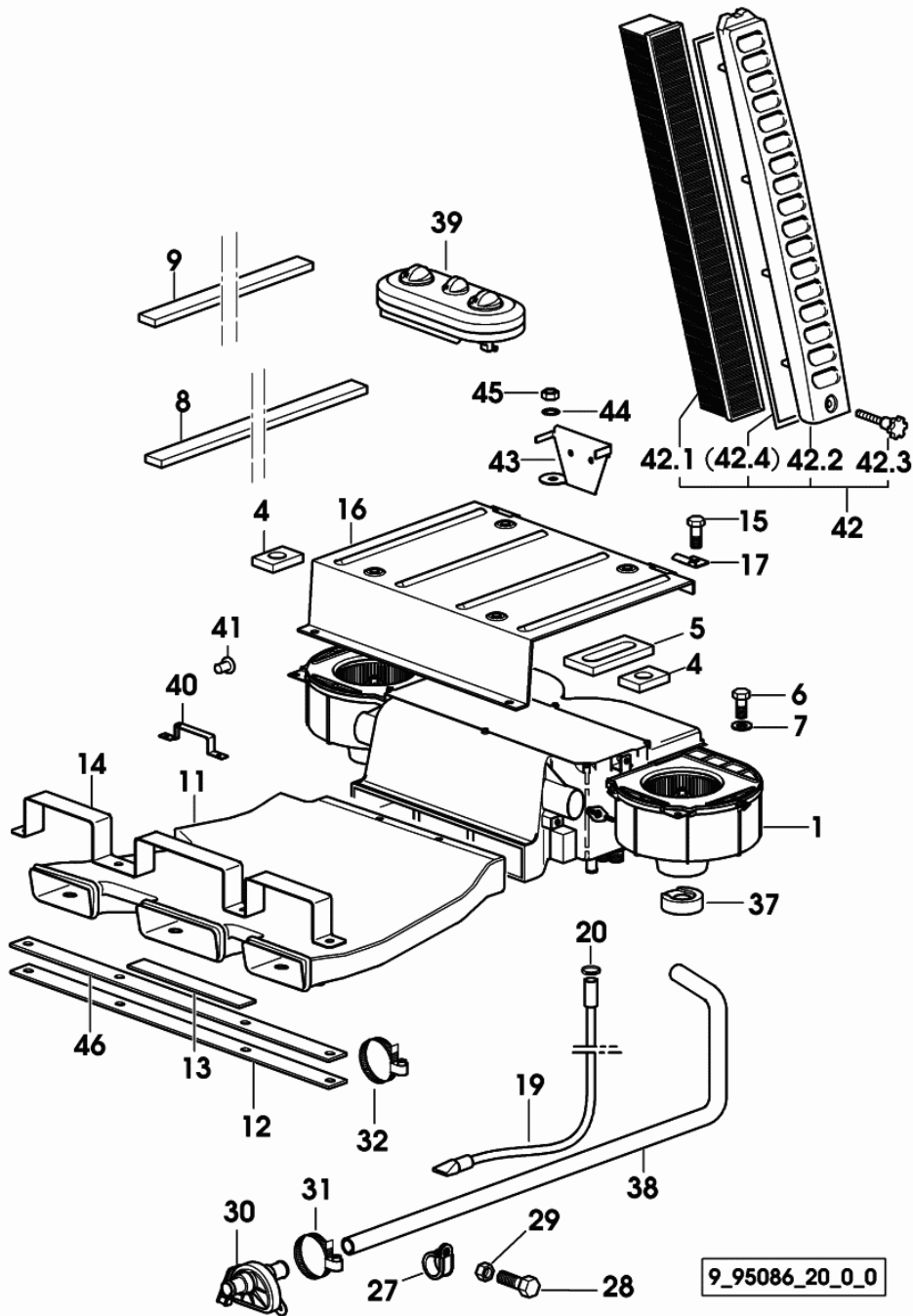
Fig.	Code	QTY	Name
15	01126749	6	nut m 10
16	01102659	6	nut m 10, d934
17	01127538	6	washer 10.5
18	01100894	2	screw 6.3x22
19	04425415	1	sealing compound 566.4
21	00810311	2	washer 6.4
22	04438115	0	gasket mm 20x15x4640



9_95071_68_0_B

Section: CAB
CLIMATE CONTROL SYSTEM

Fig.	Code	QTY	Name
1	0.010.9139.4/20	1	climatization kit COMPONENT PARTS SEE COMPONENTS LIST ☞ 0.010.9139.4/20 ☞ 0B.00.52
4	0.010.9418.0	2	gasket
5	0.010.9419.0	1	gasket
6	01112356	1	screw m 8 x 40
7	01107101	9	washer 8.4
8	04429589	1	gasket mm 538
9	04429583	1	gasket mm 412
11	0.010.8330.0/10	1	duct
12	0.010.8910.0	1	gasket
13	0.010.8911.0/10	3	gasket
14	0.010.8331.0	1	clamp
15	04426352	8	screw m 8 p.1.25 x 20
16	04429952.4	1	cover
17	0.010.6539.0/20	2	hinge
19	0.011.4589.3/10	2	flexible hose
20	2.6851.019.0	2	clamp Ø 13/20
27	01173053	2	clamp b 25x20
28	01123749	2	screw m 6 x 25
29	01112813	2	nut m 6
30	04429584	1	cock or tap
31	01137412	3	clamp
32	04423216	1	clamp
37	0.011.3245.0	2	block
38	04429761	1	tube
39	04429205.4	1	control grp. COMPONENT PARTS SEE COMPONENTS LIST ☞ 04429205.4 ☞ 0B.00.53
40	04429773	1	bracket
41	01172669	2	rivet 4.8x10.3
42	04425620.4/20	2	air filter
42.1	04411228	1	air filter element
42.2	04411230/10	1	guard
42.3	04411229	1	screw
43	04453445	1	bracket
44	2.1470.004.2	1	washer 8
45	2.1011.105.2	1	nut m 8 p.1.25
46	04429732	1	plate



ELECTRIC LIGHTING SYSTEM EXPORT U.S.A.

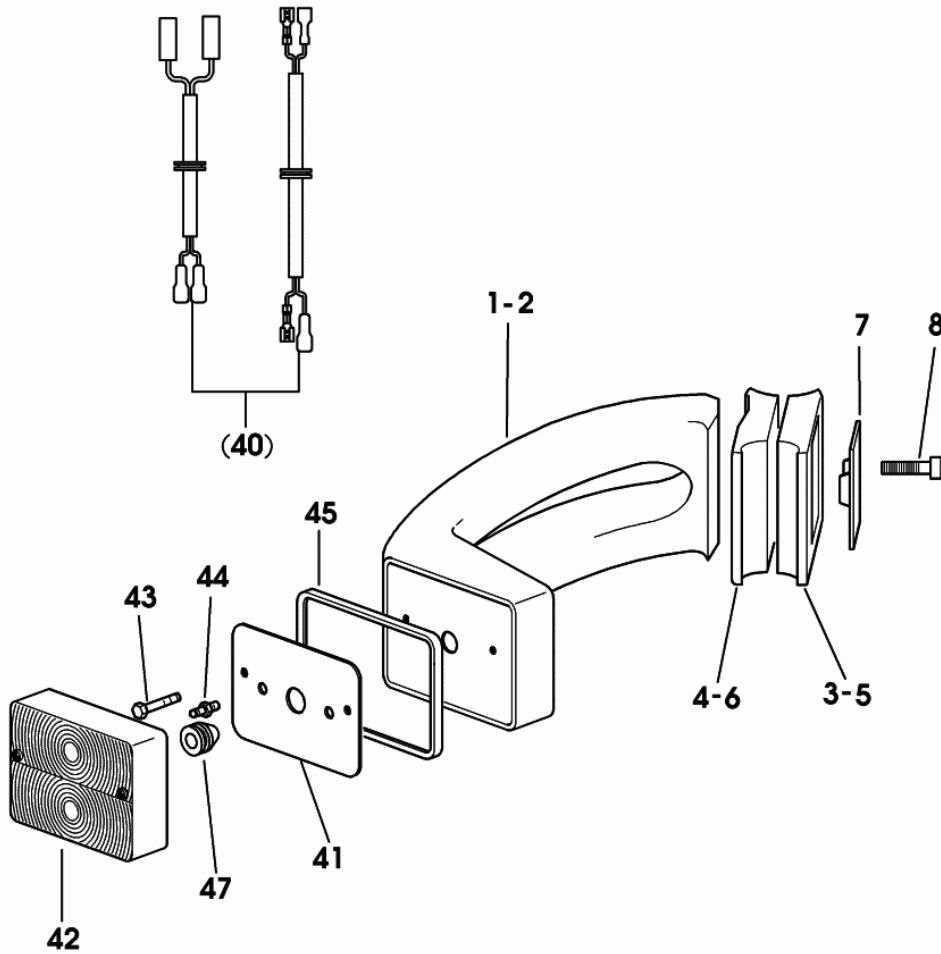
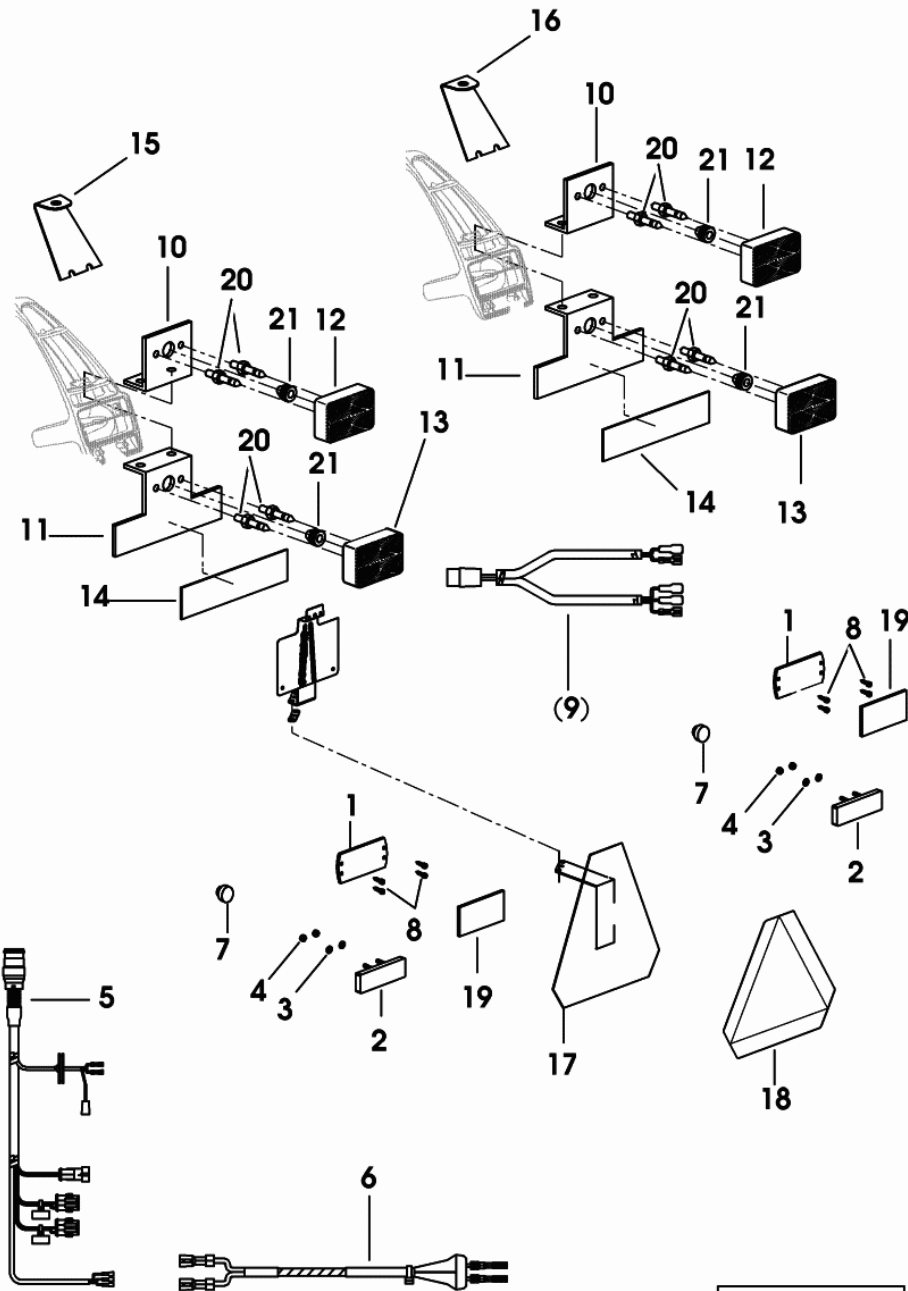


Fig.	Code	QTY	Name
1	04413222	1	support
2	04413222	1	support
3	04413186	1	guard sx/lh/li
4	04413187	1	guard sx/lh/li
5	04413188	1	guard dx/rh/re
6	04413189	1	guard dx/rh/re
7	04413190	2	diaphragm
8	04414580	6	screw m 8 x 30
41	0.012.9213.2/10	2	plate
42	2.8039.180.0/10	2	lamp
43	2.0332.310.2	4	screw m 5 x 35
44	0.012.9989.0	4	pin
45	0.013.0019.0	2	gasket
47	2.6569.018.0	2	wire guide 20 x 8 x 15

9_A3571_30_0_A

REAR LIGHTING SYSTEM WITH LARGE FENDER

Fig.	Code	QTY	Name
1	0.012.9499.0	2	small plate
2	2.8349.012.0	2	reflector
3	2.1310.001.2	4	flat washer 5.3
4	2.1011.102.2	4	nut m 5 p.0.7
5	0.012.9733.4/10	2	electrical system
6	0.012.2018.4/10	1	electrical system
7	01172220	2	bottom
8	2.0350.454.3	8	screw m 4.2 x 13 -AB-
10	0.012.9178.2	2	support
11	0.012.9177.2	2	support
12	2.8039.180.0/10	2	lamp ☞ 2.8039.180.0/10
13	2.8039.190.0	2	lamp ☞ 2.8039.190.0
14	2.8349.013.0	2	reflector
15	04419696	1	lamination sx/lh/li
16	04419697	1	lamination dx/rh/re
17	0.012.9361.3/10	1	support
18	0.013.4584.0	1	plate SMV
19	0.012.9978.0	2	diaphragm
20	0.012.9989.0	8	pin
21	2.6569.018.0	4	wire guide 20 x 8 x 15



9_A3585_30_0_0

ELECTRICAL EQUIPMENT FRONT

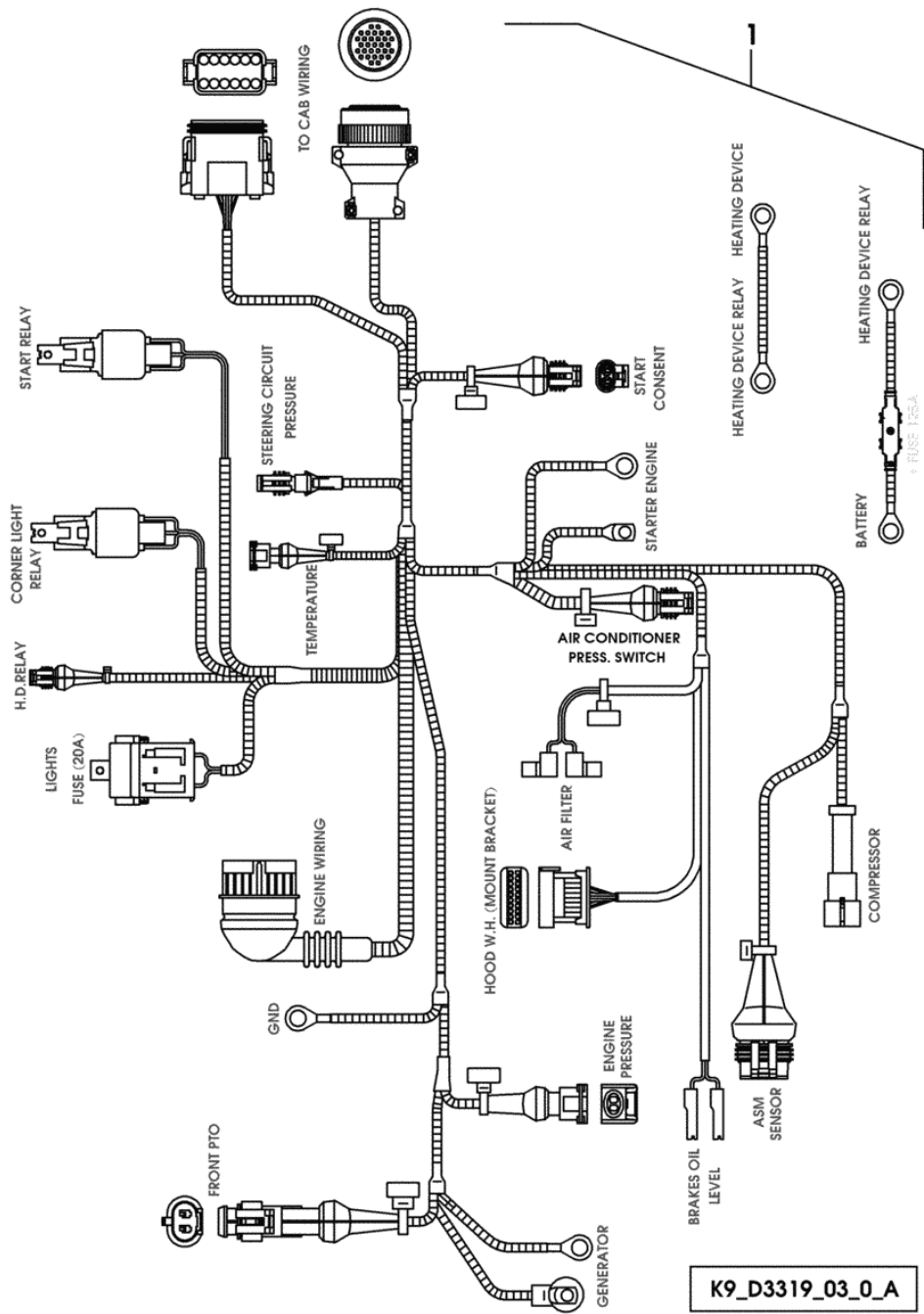
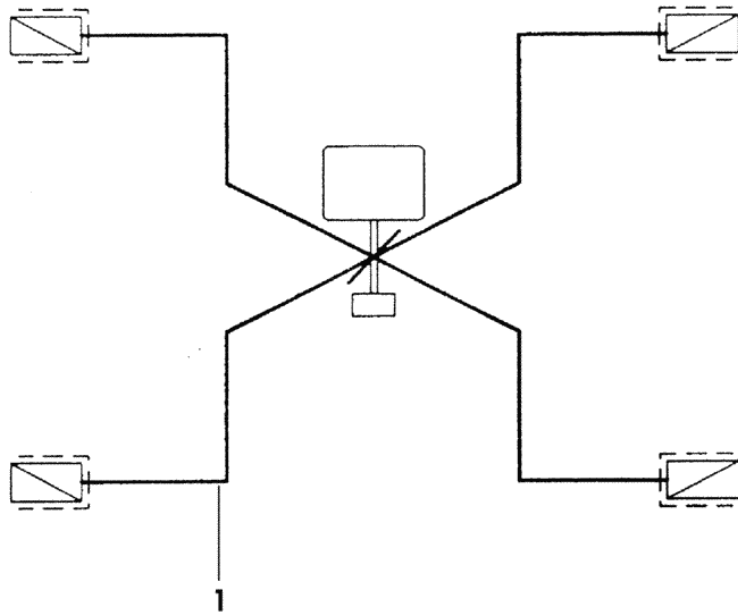


Fig.	Code	QTY	Name
1	0.013.5916.4/10	1	cable harness (...) <- X Agrotron 108 (...) <- X Agrotron 118 (...) <- X Agrotron 128 COMPONENT PARTS SEE COMPO ☞ 0.013.5916.4/10 ☞ 08.00.44
1	0.013.5916.4/30	1	cable harness -> (...) X Agrotron 108 -> (...) X Agrotron 118 -> (...) X Agrotron 128 COMPONENT PARTS SEE COMPO ☞ 0.013.5916.4/30 ☞ 08.00.45

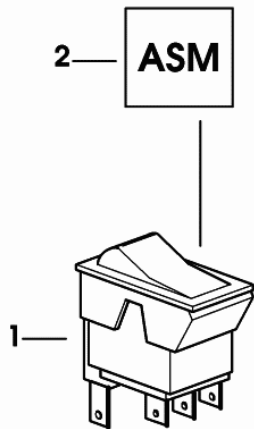
CABLE FOR FRONT AXLE WITHOUT ASM

Fig.	Code	QTY	Name
1	04418873	1	wire



ASM SWITCH

Fig.	Code	QTY	Name
1	04411498	1	switch
2	04411509	1	plate



9_95384_01_0_0

BATTERY SUPPORT AND LEADS

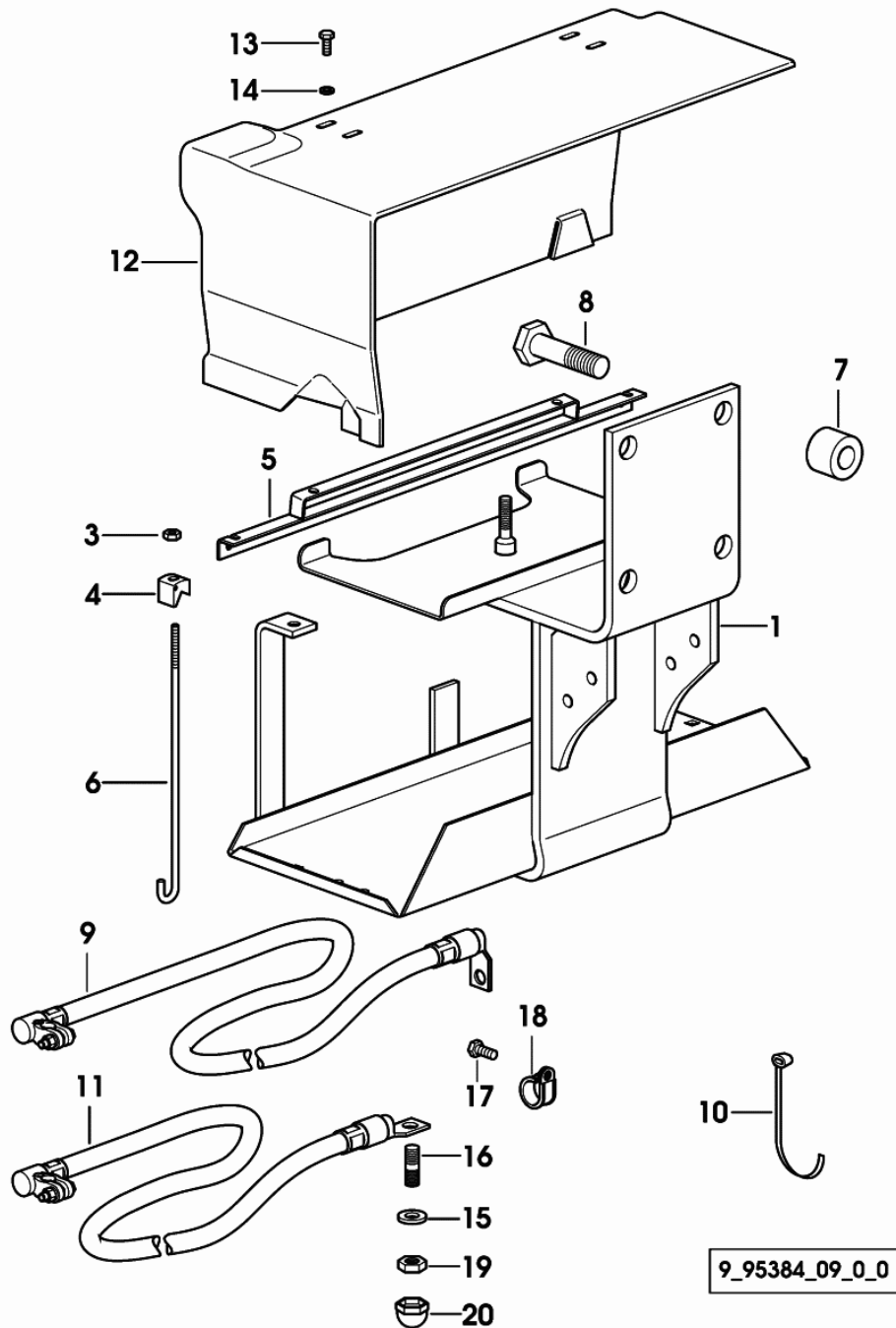


Fig.	Code	QTY	Name
1	04428852.4	1	battery support
3	01112813	2	nut m 6
4	04308811	2	support
5	04417869.4	1	rail
6	04314920	2	screw
7	04427061	4	bushing 20.5x40x30
8	01137619	4	screw m20x70
9	04422156	1	wire (+)
10	01176435	1	clamp
11	0.012.4029.4	1	wire (-)
12	04415880	1	cover
13	01103316	2	screw m 6 p.1.0 x 16
14	01151664	2	washer 6.4
15	01117872	1	lock washer
16	01113559	1	stud bolt m 12 x 35
17	01112322	1	screw m 8 p.1.25 x 20
18	01173182	1	clamp
19	01112858	1	nut m 12, d934
20	01174048	1	nut m 12 p.1,75

CLICK HERE TO **DOWNLOAD** THE COMPLETE MANUAL

- Thank you very much for reading the preview of the manual.
- You can download the complete manual from: www.heydownloads.com by clicking the link below



- Please note: If there is no response to CLICKING the link, please download this PDF first and then click on it.

CLICK HERE TO **DOWNLOAD** THE COMPLETE MANUAL

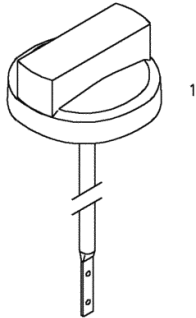
Section: ENGINE
FILLER CAP

Fig.	Code	QTY	Name
------	------	-----	------

Engine Serial Numbers:

874461 884406 884407 884408 884409 884410 884411 884412 884413 884414 884415 884416 884417 884418
 884419 884420 884421 887643 887644 887645 887646 887647 887648 887649 887650 887651 887652 887653
 887654 887655 887656 887657 887658 887659 887660 887661 887662 887663 887664 887665 887666 887667
 887668 888096 888097 888098 888099 888100 888101 888102 888103 888104 890095 890096 890097 890098
 890099 890100 890101 890102 940440 940441 940442 940443 940444 940445 940446 940447 940448 940449
 940450 940451 940452 940453 940454 940455 940456 940457 940458 940459 940460 940461 940462 940463
 940464 942536 942537 942538 942539 942540 942541 942542 942543 942544 942545 942546 942547 942548
 942549 942550 942551 942552 942553 942554 942555 942754 942755 942756 942757 942758 942759 942760
 942761 942762 942763 942764 942765 942766 942767 942768 942769 942770 942771 942772 942773 950742
 950743 950744 950745 950746 950747 950748 950749 950750 950751 950752 950753 950754 950755 950756
 950757 950758 950759 950760 952738 952739 952740 952741 952742 952743 952744 952745 952746 952747
 953825 953826 953827 953828 953829 955483 955484 955485 955486 955487 955488 955489 955490 955491
 955492 955493 955494 955495 955496 955497 955498 955499 955500 955501 955502 956732 956733 956734
 956735 956736 956737 956738 956739 956740 956741 963642 963643 963644 963645 963646 963647 963648
 963649 963650 963651 963652 963653 963654 963655 963656 963657 963658 963659 963660 963661 963662
 963663 965203 965204 965205 965206 965207 965208 965209 965210 965211 965212 965213 968616 968617
 968618 968619 968620 968621 968622 968623 968624 968625 968626 968627 968987 968988 968989 968990
 968991 968992 968993 968994 968995 968996 968997 968998 968999 969000 969001 969002 969003 969004
 969005 969006 1023303 1023304 1023305 1023306 1023307 1023308 1023309 1023310 1023311 1023312 1023313
 1023314 1023315 1023316 1023317 1023318 1025622 1025623 1025624 1025625 1025626 1025627 1025628
 1025629 1025630 1025631 1025632 1025633 1025634 1025635 1025636 1025637 1025638 1028855 1028856
 1028857 1028858 1028859 1028860 1028861 1028862 1028863 1028864 1028865 1028866 1028867 1028868
 1028869 1028870 1028871 1028872 1028873 1028874 1030790 1030791 1030792 1030793 1030794 1030795
 1030796 1030797 1030798 1030799 1030800 1030801 1030802 1030803 1030804 1030805 1033778 1033779
 1036310 1093641 1093642 1093643 1093644 1093645 1093646 1093647 1093648 1093649 1097161 1097162
 1097163 1097164 1097165 1097166 1097167 1097168 1097720 1097721 1097722 1097723 1097724 1097725
 1097726 1097727 1097728 1097729 1097730 1097731 1097732 1098227 1098228 1098229 1098230 1098231
 1098232 1098233 1098234 1098235 1098236 1098237 1098238 1098239 10003385 10003386 10003387 10003388
 10008291 10008292 10008293 10008294 10008295 10008296 10008297 10008298 10008299 10008300 10012134
 10012135 10012136 10012137 10012138 10012139 10012140 10012141 10012142 10012143 10012144 10012145
 10012146 10012147 10012148 10013955 10013956 10013957

000 ©



1	01180341	1	plug H 2875 -B2-OL40-166X4X145X15
---	----------	---	--------------------------------------

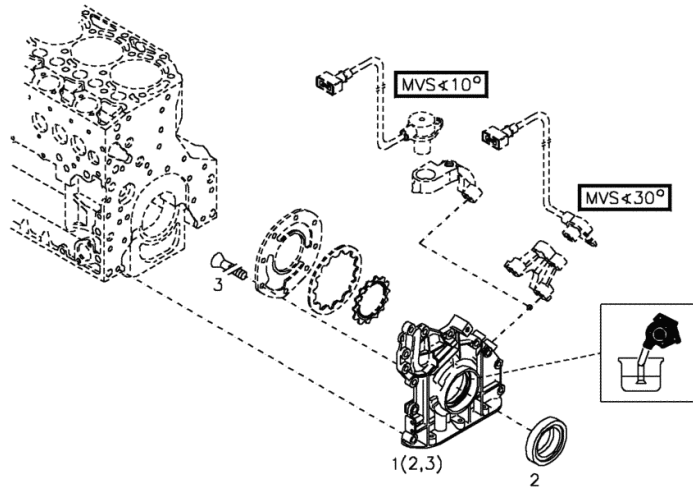
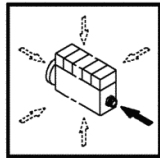
FLANGE

Fig.	Code	QTY	Name
------	------	-----	------

Engine Serial Numbers:

940440 940441 940442 940443 940444 940445 940446 940447 940448 940449 940450 940451 940452 940453
 940454 940455 940456 940457 940458 940459 940460 940461 940462 940463 940464 942536 942537 942538
 942539 942540 942541 942542 942543 942544 942545 942546 942547 942548 942549 942550 942551 942552
 942553 942554 942555 942754 942755 942756 942757 942758 942759 942760 942761 942762 942763 942764
 942765 942766 942767 942768 942769 942770 942771 942772 942773 950743 950744 950745 950746
 950747 950748 950749 950750 950751 950752 950753 950754 950755 950756 950757 950758 950759 950760
 952738 952739 952740 952741 952742 952743 952744 952745 952746 952747 953825 953826 953827 953828
 953829 955483 955484 955485 955486 955487 955488 955489 955490 955491 955492 955493 955494 955495
 955496 955497 955498 955499 955500 955501 955502 956732 956733 956734 956735 956736 956737 956738
 956739 956740 956741 963642 963643 963644 963645 963646 963647 963648 963649 963650 963651 963652
 963653 963654 963655 963656 963657 963658 963659 963660 963661 963662 963663 965203 965204 965205
 965206 965207 965208 965209 965210 965211 965212 965213 968616 968617 968618 968619 968620 968621
 968622 968623 968624 968625 968626 968627 968987 968988 968989 968990 968991 968992 968993 968994
 968995 968996 968997 968998 968999 969000 969001 969002 969003 969004 969005 969006 1023303 1023304
 1023305 1023306 1023307 1023308 1023309 1023310 1023311 1023312 1023313 1023314 1023315 1023316
 1023317 1023318 1025622 1025623 1025624 1025625 1025626 1025627 1025628 1025629 1025630 1025631
 1025632 1025633 1025634 1025635 1025636 1025637 1025638 1028855 1028856 1028857 1028858 1028859
 1028860 1028861 1028862 1028863 1028864 1028865 1028866 1028867 1028868 1028869 1028870 1028871
 1028872 1028873 1028874 1030790 1030791 1030792 1030793 1030794 1030795 1030796 1030797 1030798
 1030799 1030800 1030801 1030802 1030803 1030804 1030805 1033778 1033779 1036310 1093641 1093642
 1093643 1093644 1093645 1093646 1093647 1093648 1093649 1097161 1097162 1097163 1097164 1097165
 1097166 1097167 1097168 1097720 1097721 1097722 1097723 1097724 1097725 1097726 1097727 1097728
 1097729 1097730 1097731 1097732 1098227 1098228 1098229 1098230 1098231 1098232 1098233 1098234
 1098235 1098236 1098237 1098238 1098239 10003385 10003386 10003387 10003388 10008291 10008292
 10008293 10008294 10008295 10008296 10008297 10008298 10008299 10008300 10012134 10012135 10012136
 10012137 10012138 10012139 10012140 10012141 10012142 10012143 10012144 10012145 10012146 10012147
 10012148 10013955 10013956 10013957

001 ©



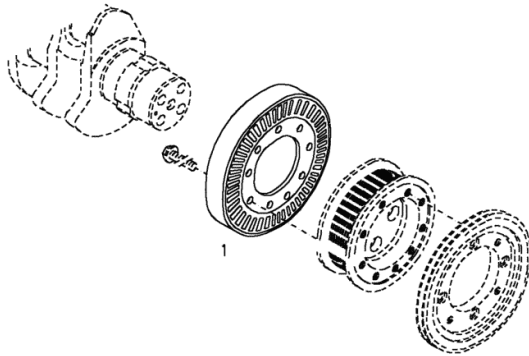
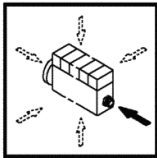
1	04258382	1	oil pump kpl. WITH ITEM (2,3)
2	04253372	1	'o' ring
3	01133718	1	screw DIN 7991 -M6X16-8.8-A4C

Section: ENGINE
VIBRATION DAMPER

Fig.	Code	QTY	Name
------	------	-----	------

Engine Serial Numbers:

874461 884406 884407 884408 884409 884410 884411 884412 884413 884414 884415 884416 884417 884418
 884419 884420 884421 887643 887644 887645 887646 887647 887648 887649 887650 887651 887652 887653
 887654 887655 887656 887657 887658 887659 887660 887661 887662 887663 887664 887665 887666 887667
 887668 888096 888097 888098 888099 888100 888101 888102 888103 888104 890095 890096 890097 890098
 890099 890100 890101 890102 940440 940441 940442 940443 940444 940445 940446 940447 940448 940449
 940450 940451 940452 940453 940454 940455 940456 940457 940458 940459 940460 940461 940462 940463
 940464 942536 942537 942538 942539 942540 942541 942542 942543 942544 942545 942546 942547 942548
 942549 942550 942551 942552 942553 942554 942555 942754 942755 942756 942757 942758 942759 942760
 942761 942762 942763 942764 942765 942766 942767 942768 942769 942770 942771 942772 942773 950742
 950743 950744 950745 950746 950747 950748 950749 950750 950751 950752 950753 950754 950755 950756
 950757 950758 950759 950760 952738 952739 952740 952741 952742 952743 952744 952745 952746 952747
 953825 953826 953827 953828 953829 955483 955484 955485 955486 955487 955488 955489 955490 955491
 955492 955493 955494 955495 955496 955497 955498 955499 955500 955501 955502



000 ©

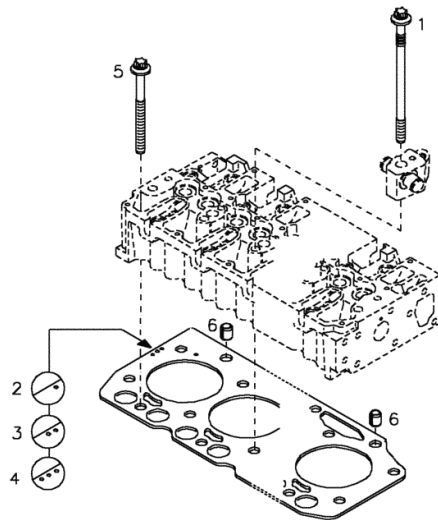
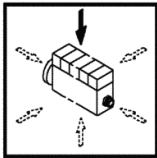
1	04284116	1	dumper
---	----------	---	--------

Section: ENGINE
FASTENINGS

Fig.	Code	QTY	Name
------	------	-----	------

Engine Serial Numbers:

874461 884406 884407 884408 884409 884410 884411 884412 884413 884414 884415 884416 884417 884418
 884419 884420 884421 887643 887644 887645 887646 887647 887648 887649 887650 887651 887652 887653
 887654 887655 887656 887657 887658 887659 887660 887661 887662 887663 887664 887665 887666 887667
 887668 888096 888097 888098 888099 888100 888101 888102 888103 888104 890095 890096 890097 890098
 890099 890100 890101 890102 940440 940441 940442 940443 940444 940445 940446 940447 940448 940449
 940450 940451 940452 940453 940454 940455 940456 940457 940458 940459 940460 940461 940462 940463
 940464 942536 942537 942538 942539 942540 942541 942542 942543 942544 942545 942546 942547 942548
 942549 942550 942551 942552 942553 942554 942555 942754 942755 942756 942757 942758 942759 942760
 942761 942762 942763 942764 942765 942766 942767 942768 942769 942770 942771 942772 942773 950742
 950743 950744 950745 950746 950747 950748 950749 950750 950751 950752 950753 950754 950755 950756
 950757 950758 950759 950760 952738 952739 952740 952741 952742 952743 952744 952745 952746 952747
 953825 953826 953827 953828 953829 955483 955484 955485 955486 955487 955488 955489 955490 955491
 955492 955493 955494 955495 955496 955497 955498 955499 955500 955501 955502 956732 956733 956734
 956735 956736 956737 956738 956739 956740 956741 963642 963643 963644 963645 963646 963647 963648
 963649 963650 963651 963652 963653 963654 963655 963656 963657 963658 963659 963660 963661 963662
 963663 965203 965204 965205 965206 965207 965208 965209 965210 965211 965212 965213 968616 968617
 968618 968619 968620 968621 968622 968623 968624 968625 968626 968627 968987 968988 968989 968990
 968991 968992 968993 968994 968995 968996 968997 968998 968999 969000 969001 969002 969003 969004
 969005 969006 1023303 1023304 1023305 1023306 1023307 1023308 1023309 1023310 1023311 1023312 1023313
 1023314 1023315 1023316 1023317 1023318 1025622 1025623 1025624 1025625 1025626 1025627 1025628
 1025629 1025630 1025631 1025632 1025633 1025634 1025635 1025636 1025637 1025638 1028855 1028856
 1028857 1028858 1028859 1028860 1028861 1028862 1028863 1028864 1028865 1028866 1028867 1028868
 1028869 1028870 1028871 1028872 1028873 1028874 1030790 1030791 1030792 1030793 1030794 1030795
 1030796 1030797 1030798 1030799 1030800 1030801 1030802 1030803 1030804 1030805 1033778 1033779
 1036310 1093641 1093642 1093643 1093644 1093645 1093646 1093647 1093648 1093649 1097161 1097162
 1097163 1097164 1097165 1097166 1097167 1097168 1097720 1097721 1097722 1097723 1097724 1097725
 1097726 1097727 1097728 1097729 1097730 1097731 1097732 1098227 1098228 1098229 1098230 1098231
 1098232 1098233 1098234 1098235 1098236 1098237 1098238 1098239 10003385 10003386 10003387 10003388
 10008291 10008292 10008293 10008294 10008295 10008296 10008297 10008298 10008299 10008300 10012134
 10012135 10012136 10012137 10012138 10012139 10012140 10012141 10012142 10012143 10012144 10012145
 10012146 10012147 10012148 10013955 10013956 10013957



001 ©

1	04251250	7	screw
2	04258165	1	gasket DEPENDENT ON MEASUREMENT RESULT SEAL THICKNESS -AS-DELIVERED CONDITION (A)= ...MM -ASSEMBLY CONDI
3	04258166	1	gasket DEPENDENT ON MEASUREMENT RESULT SEAL THICKNESS -AS-DELIVERED CONDITION (A)= ...MM -ASSEMBLY CONDI
4	04258167	1	gasket

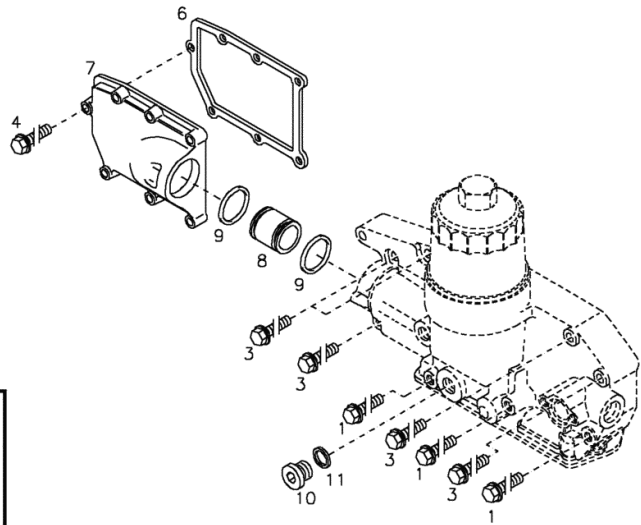
Section: ENGINE
FASTENINGS

Fig.	Code	QTY	Name
------	------	-----	------

Engine Serial Numbers:

874461 884406 884407 884408 884409 884410 884411 884412 884413 884414 884415 884416 884417 884418
 884419 884420 884421 887643 887644 887645 887646 887647 887648 887649 887650 887651 887652 887653
 887654 887655 887656 887657 887658 887659 887660 887661 887662 887663 887664 887665 887666 887667
 887668 888096 888097 888098 888099 888100 888101 888102 888103 888104 890095 890096 890097 890098
 890099 890100 890101 890102 940440 940441 940442 940443 940444 940445 940446 940447 940448 940449
 940450 940451 940452 940453 940454 940455 940456 940457 940458 940459 940460 940461 940462 940463
 940464 942536 942537 942538 942539 942540 942541 942542 942543 942544 942545 942546 942547 942548
 942549 942550 942551 942552 942553 942554 942555 942754 942755 942756 942757 942758 942759 942760
 942761 942762 942763 942764 942765 942766 942767 942768 942769 942770 942771 942772 942773 950742
 950743 950744 950745 950746 950747 950748 950749 950750 950751 950752 950753 950754 950755 950756
 950757 950758 950759 950760 952738 952739 952740 952741 952742 952743 952744 952745 952746 952747
 953825 953826 953827 953828 953829 955483 955484 955485 955486 955487 955488 955489 955490 955491
 955492 955493 955494 955495 955496 955497 955498 955499 955500 955501 955502 956732 956733 956734
 956735 956736 956737 956738 956739 956740 956741 963642 963643 963644 963645 963646 963647 963648
 963649 963650 963651 963652 963653 963654 963655 963656 963657 963658 963659 963660 963661 963662
 963663 965203 965204 965205 965206 965207 965208 965209 965210 965211 965212 965213 968616 968617
 968618 968619 968620 968621 968622 968623 968624 968625 968626 968627 968987 968988 968989 968990
 968991 968992 968993 968994 968995 968996 968997 968998 968999 969000 969001 969002 969003 969004
 969005 969006 1023303 1023304 1023305 1023306 1023307 1023308 1023309 1023310 1023311 1023312 1023313
 1023314 1023315 1023316 1023317 1023318 1025622 1025623 1025624 1025625 1025626 1025627 1025628
 1025629 1025630 1025631 1025632 1025633 1025634 1025635 1025636 1025637 1025638 1028855 1028856
 1028857 1028858 1028859 1028860 1028861 1028862 1028863 1028864 1028865 1028866 1028867 1028868
 1028869 1028870 1028871 1028872 1028873 1028874 1030790 1030791 1030792 1030793 1030794 1030795
 1030796 1030797 1030798 1030799 1030800 1030801 1030802 1030803 1030804 1030805 1033778 1033779
 1036310 1093641 1093642 1093643 1093644 1093645 1093646 1093647 1093648 1093649 1097161 1097162
 1097163 1097164 1097165 1097166 1097167 1097168 1097720 1097721 1097722 1097723 1097724 1097725
 1097726 1097727 1097728 1097729 1097730 1097731 1097732 1098227 1098228 1098229 1098230 1098231
 1098232 1098233 1098234 1098235 1098236 1098237 1098238 1098239 10003385 10003386 10003387 10003388
 10008291 10008292 10008293 10008294 10008295 10008296 10008297 10008298 10008299 10008300 10012134
 10012135 10012136 10012137 10012138 10012139 10012140 10012141 10012142 10012143 10012144 10012145
 10012146 10012147 10012148 10013955 10013956 10013957

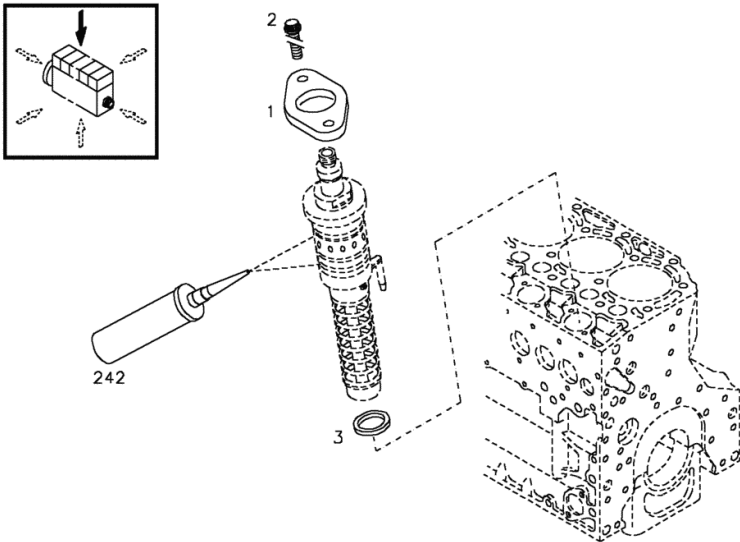
000 ©



1	01179295	3	screw EN 1662 -F-M8X100-10.9-A4C
3	01181440	5	screw EN 1662 -F-M8X40-10.9-ZNAL-A
4	01143362	7	screw EN 1662 -F-M8X35-10.9-A4C
6	04207215	1	gasket
7	04208303	1	cup
8	04207360	1	stop
9	04201462	2	ring H 2927 -38X4-EPDM-6-70
10	01131075	2	screw DIN 908 -M10X1-ST-A4C
11	01118659	2	'o' ring

Section: ENGINE
FASTENINGS

Fig.	Code	QTY	Name
			DEPENDENT ON MEASUREMENT RESULT GASKET THICKNESS (A) = MM OTHER THICKNESSES SEE ITEM (B) AUTRES E
959	04204152	1	shim mm 2.20 DEPENDENT ON MEASUREMENT RESULT GASKET THICKNESS (A) = MM OTHER THICKNESSES SEE ITEM (B) AUTRES E
960	04204153	1	shim mm 2.30 DEPENDENT ON MEASUREMENT RESULT GASKET THICKNESS (A) = MM OTHER THICKNESSES SEE ITEM (B) AUTRES E
961	04204154	1	shim mm 2.40 DEPENDENT ON MEASUREMENT RESULT GASKET THICKNESS (A) = MM OTHER THICKNESSES SEE ITEM (B) AUTRES E
962	04204155	1	shim mm 2.50 DEPENDENT ON MEASUREMENT RESULT GASKET THICKNESS (A) = MM OTHER THICKNESSES SEE ITEM (B) AUTRES E
963	04204156	1	shim mm 2.60 DEPENDENT ON MEASUREMENT RESULT GASKET THICKNESS (A) = MM OTHER THICKNESSES SEE ITEM (B) AUTRES E
964	04204157	1	shim mm 2.70 DEPENDENT ON MEASUREMENT RESULT GASKET THICKNESS (A) = MM OTHER THICKNESSES SEE ITEM (B) AUTRES E
965	04204158	1	shim mm 2.80 DEPENDENT ON MEASUREMENT RESULT



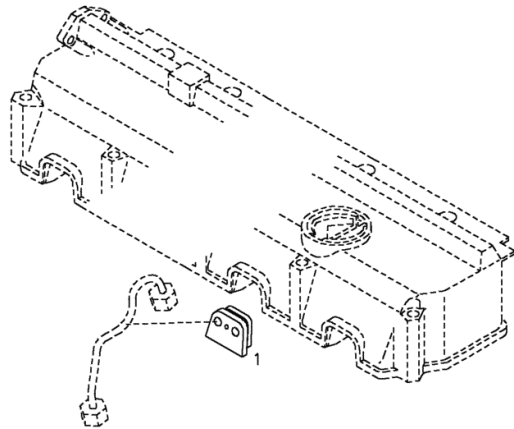
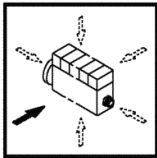
HOLDING DEVICE FOR LEADS

Fig.	Code	QTY	Name
------	------	-----	------

Engine Serial Numbers:

874461 884406 884407 884408 884409 884410 884411 884412 884413 884414 884415 884416 884417 884418
 884419 884420 884421 887643 887644 887645 887646 887647 887648 887649 887650 887651 887652 887653
 887654 887655 887656 887657 887658 887659 887660 887661 887662 887663 887664 887665 887666 887667
 887668 888096 888097 888098 888099 888100 888101 888102 888103 888104 890095 890096 890097 890098
 890099 890100 890101 890102 940440 940441 940442 940443 940444 940445 940446 940447 940448 940449
 940450 940451 940452 940453 940454 940455 940456 940457 940458 940459 940460 940461 940462 940463
 940464 942536 942537 942538 942539 942540 942541 942542 942543 942544 942545 942546 942547 942548
 942549 942550 942551 942552 942553 942554 942555 942754 942755 942756 942757 942758 942759 942760
 942761 942762 942763 942764 942765 942766 942767 942768 942769 942770 942771 942772 942773 950742
 950743 950744 950745 950746 950747 950748 950749 950750 950751 950752 950753 950754 950755 950756
 950757 950758 950759 950760 952738 952739 952740 952741 952742 952743 952744 952745 952746 952747
 953825 953826 953827 953828 953829 955483 955484 955485 955486 955487 955488 955489 955490 955491
 955492 955493 955494 955495 955496 955497 955498 955499 955500 955501 955502 956732 956733 956734
 956735 956736 956737 956738 956739 956740 956741 963642 963643 963644 963645 963646 963647 963648
 963649 963650 963651 963652 963653 963654 963655 963656 963657 963658 963659 963660 963661 963662
 963663 965203 965204 965205 965206 965207 965208 965209 965210 965211 965212 965213 968616 968617
 968618 968619 968620 968621 968622 968623 968624 968625 968626 968627 968987 968988 968989 968990
 968991 968992 968993 968994 968995 968996 968997 968998 968999 969000 969001 969002 969003 969004
 969005 969006 1023303 1023304 1023305 1023306 1023307 1023308 1023309 1023310 1023311 1023312 1023313
 1023314 1023315 1023316 1023317 1023318 1025622 1025623 1025624 1025625 1025626 1025627 1025628
 1025629 1025630 1025631 1025632 1025633 1025634 1025635 1025636 1025637 1025638 1028855 1028856
 1028857 1028858 1028859 1028860 1028861 1028862 1028863 1028864 1028865 1028866 1028867 1028868
 1028869 1028870 1028871 1028872 1028873 1028874 1030790 1030791 1030792 1030793 1030794 1030795
 1030796 1030797 1030798 1030799 1030800 1030801 1030802 1030803 1030804 1030805 1033778 1033779
 1036310 1093641 1093642 1093643 1093644 1093645 1093646 1093647 1093648 1093649 1097161 1097162
 1097163 1097164 1097165 1097166 1097167 1097168 1097720 1097721 1097722 1097723 1097724 1097725
 1097726 1097727 1097728 1097729 1097730 1097731 1097732 1098227 1098228 1098229 1098230 1098231
 1098232 1098233 1098234 1098235 1098236 1098237 1098238 1098239 10003385 10003386 10003387 10003388
 10008291 10008292 10008293 10008294 10008295 10008296 10008297 10008298 10008299 10008300 10012134
 10012135 10012136 10012137 10012138 10012139 10012140 10012141 10012142 10012143 10012144 10012145
 10012146 10012147 10012148 10013955 10013956 10013957

000 ©



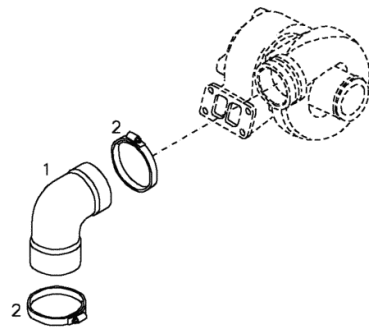
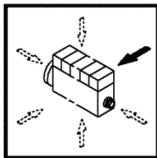
1	04198035	1	rubber plug
---	----------	---	-------------

Section: ENGINE
CHARGED AIR MANIFOLD

Fig.	Code	QTY	Name
------	------	-----	------

Engine Serial Numbers:

963642 963643 963644 963645 963646 963647 963648 963649 963650 963651 963652 963653 963654 963655
 963656 963657 963658 963659 963660 963661 963662 963663 965203 965204 965205 965206 965207 965208
 965209 965210 965211 965212 965213 968616 968617 968618 968619 968620 968621 968622 968623 968624
 968625 968626 968627 968987 968988 968989 968990 968991 968992 968993 968994 968995 968996 968997
 968998 968999 969000 969001 969002 969003 969004 969005 969006 1023303 1023304 1023305 1023306 1023307
 1023308 1023309 1023310 1023311 1023312 1023313 1023314 1023315 1023316 1023317 1023318 1025622
 1025623 1025624 1025625 1025626 1025627 1025628 1025629 1025630 1025631 1025632 1025633 1025634
 1025635 1025636 1025637 1025638 1028855 1028856 1028857 1028858 1028859 1028860 1028861 1028862
 1028863 1028864 1028865 1028866 1028867 1028868 1028869 1028870 1028871 1028872 1028873 1028874
 1030790 1030791 1030792 1030793 1030794 1030795 1030796 1030797 1030798 1030799 1030800 1030801
 1030802 1030803 1030804 1030805 1033778 1033779 1036310 1093641 1093642 1093643 1093644 1093645
 1093646 1093647 1093648 1093649 1097161 1097162 1097163 1097164 1097165 1097166 1097167 1097168
 1097720 1097721 1097722 1097723 1097724 1097725 1097726 1097727 1097728 1097729 1097730 1097731
 1097732 1098227 1098228 1098229 1098230 1098231 1098232 1098233 1098234 1098235 1098236 1098237
 1098238 1098239 10003385 10003386 10003387 10003388 10008291 10008292 10008293 10008294 10008295
 10008296 10008297 10008298 10008299 10008300 10012134 10012135 10012136 10012137 10012138 10012139
 10012140 10012141 10012142 10012143 10012144 10012145 10012146 10012147 10012148 10013955 10013956
 10013957



000 ©

1	04254735	1	pipng
2	01148605	2	hose clip DIN 3017 -A-70-90X13-W3-WF*

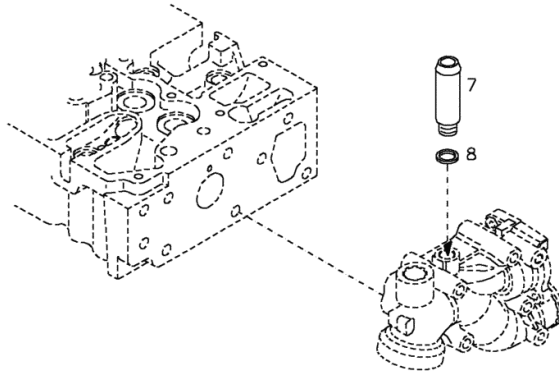
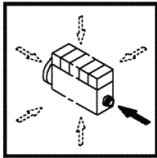
Section: ENGINE
CONNECTION

Fig.	Code	QTY	Name
------	------	-----	------

Engine Serial Numbers:

874461 884406 884407 884408 884409 884410 884411 884412 884413 884414 884415 884416 884417 884418
 884419 884420 884421 887643 887644 887645 887646 887647 887648 887649 887650 887651 887652 887653
 887654 887655 887656 887657 887658 887659 887660 887661 887662 887663 887664 887665 887666 887667
 887668 888096 888097 888098 888099 888100 888101 888102 888103 888104 890095 890096 890097 890098
 890099 890100 890101 890102 940440 940441 940442 940443 940444 940445 940446 940447 940448 940449
 940450 940451 940452 940453 940454 940455 940456 940457 940458 940459 940460 940461 940462 940463
 940464 942536 942537 942538 942539 942540 942541 942542 942543 942544 942545 942546 942547 942548
 942549 942550 942551 942552 942553 942554 942555 942754 942755 942756 942757 942758 942759 942760
 942761 942762 942763 942764 942765 942766 942767 942768 942769 942770 942771 942772 942773 950742
 950743 950744 950745 950746 950747 950748 950749 950750 950751 950752 950753 950754 950755 950756
 950757 950758 950759 950760 952738 952739 952740 952741 952742 952743 952744 952745 952746 952747
 953825 953826 953827 953828 953829 955483 955484 955485 955486 955487 955488 955489 955490 955491
 955492 955493 955494 955495 955496 955497 955498 955499 955500 955501 955502 956732 956733 956734
 956735 956736 956737 956738 956739 956740 956741 963642 963643 963644 963645 963646 963647 963648
 963649 963650 963651 963652 963653 963654 963655 963656 963657 963658 963659 963660 963661 963662
 963663 965203 965204 965205 965206 965207 965208 965209 965210 965211 965212 965213 968616 968617
 968618 968619 968620 968621 968622 968623 968624 968625 968626 968627 968987 968988 968989 968990
 968991 968992 968993 968994 968995 968996 968997 968998 968999 969000 969001 969002 969003 969004
 969005 969006 1023303 1023304 1023305 1023306 1023307 1023308 1023309 1023310 1023311 1023312 1023313
 1023314 1023315 1023316 1023317 1023318 1025622 1025623 1025624 1025625 1025626 1025627 1025628
 1025629 1025630 1025631 1025632 1025633 1025634 1025635 1025636 1025637 1025638 1028855 1028856
 1028857 1028858 1028859 1028860 1028861 1028862 1028863 1028864 1028865 1028866 1028867 1028868
 1028869 1028870 1028871 1028872 1028873 1028874 1030790 1030791 1030792 1030793 1030794 1030795
 1030796 1030797 1030798 1030799 1030800 1030801 1030802 1030803 1030804 1030805 1033778 1033779
 1036310 1093641 1093642 1093643 1093644 1093645 1093646 1093647 1093648 1093649 1097161 1097162
 1097163 1097164 1097165 1097166 1097167 1097168 1097720 1097721 1097722 1097723 1097724 1097725
 1097726 1097727 1097728 1097729 1097730 1097731 1097732 1098227 1098228 1098229 1098230 1098231
 1098232 1098233 1098234 1098235 1098236 1098237 1098238 1098239 10003385 10003386 10003387 10003388
 10008291 10008292 10008293 10008294 10008295 10008296 10008297 10008298 10008299 10008300 10012134
 10012135 10012136 10012137 10012138 10012139 10012140 10012141 10012142 10012143 10012144 10012145
 10012146 10012147 10012148 10013955 10013956 10013957

000 ©



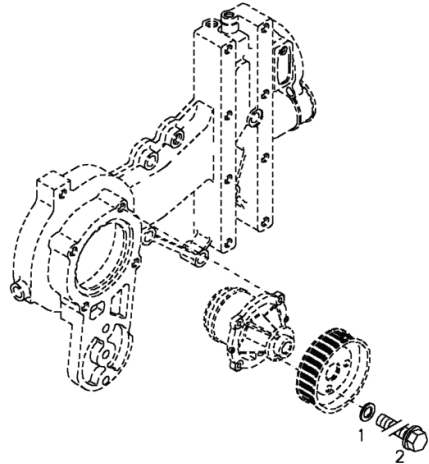
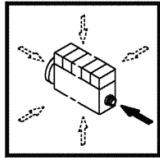
7	04253750	1	pipe fitting
8	01118700	1	'o' ring Ø 16 x 20 DIN 7603 -A16X20-CU

Section: ENGINE
FASTENINGS

Fig.	Code	QTY	Name
------	------	-----	------

Engine Serial Numbers:

940440 940441 940442 940443 940444 940445 940446 940447 940448 940449 940450 940451 940452 940453
 940454 940455 940456 940457 940458 940459 940460 940461 940462 940463 940464 942536 942537 942538
 942539 942540 942541 942542 942543 942544 942545 942546 942547 942548 942549 942550 942551 942552
 942553 942554 942555 942754 942755 942756 942757 942758 942759 942760 942761 942762 942763 942764
 942765 942766 942767 942768 942769 942770 942771 942772 942773 950742 950743 950744 950745 950746
 950747 950748 950749 950750 950751 950752 950753 950754 950755 950756 950757 950758 950759 950760
 952738 952739 952740 952741 952742 952743 952744 952745 952746 952747 953825 953826 953827 953828
 953829 955483 955484 955485 955486 955487 955488 955489 955490 955491 955492 955493 955494 955495
 955496 955497 955498 955499 955500 955501 955502 956732 956733 956734 956735 956736 956737 956738
 956739 956740 956741 963642 963643 963644 963645 963646 963647 963648 963649 963650 963651 963652
 963653 963654 963655 963656 963657 963658 963659 963660 963661 963662 963663 965203 965204 965205
 965206 965207 965208 965209 965210 965211 965212 965213 968616 968617 968618 968619 968620 968621
 968622 968623 968624 968625 968626 968627 968987 968988 968989 968990 968991 968992 968993 968994
 968995 968996 968997 968998 968999 969000 969001 969002 969003 969004 969005 969006 1023303 1023304
 1023305 1023306 1023307 1023308 1023309 1023310 1023311 1023312 1023313 1023314 1023315 1023316
 1023317 1023318 1025622 1025623 1025624 1025625 1025626 1025627 1025628 1025629 1025630 1025631
 1025632 1025633 1025634 1025635 1025636 1025637 1025638 1028855 1028856 1028857 1028858 1028859
 1028860 1028861 1028862 1028863 1028864 1028865 1028866 1028867 1028868 1028869 1028870 1028871
 1028872 1028873 1028874 1030790 1030791 1030792 1030793 1030794 1030795 1030796 1030797 1030798
 1030799 1030800 1030801 1030802 1030803 1030804 1030805 1033778 1033779 1036310 1093641 1093642
 1093643 1093644 1093645 1093646 1093647 1093648 1093649 1097161 1097162 1097163 1097164 1097165
 1097166 1097167 1097168 1097720 1097721 1097722 1097723 1097724 1097725 1097726 1097727 1097728
 1097729 1097730 1097731 1097732 1098227 1098228 1098229 1098230 1098231 1098232 1098233 1098234
 1098235 1098236 1098237 1098238 1098239 10003385 10003386 10003387 10003388 10008291 10008292
 10008293 10008294 10008295 10008296 10008297 10008298 10008299 10008300 10012134 10012135 10012136
 10012137 10012138 10012139 10012140 10012141 10012142 10012143 10012144 10012145 10012146 10012147
 10012148 10013955 10013956 10013957



000 ©

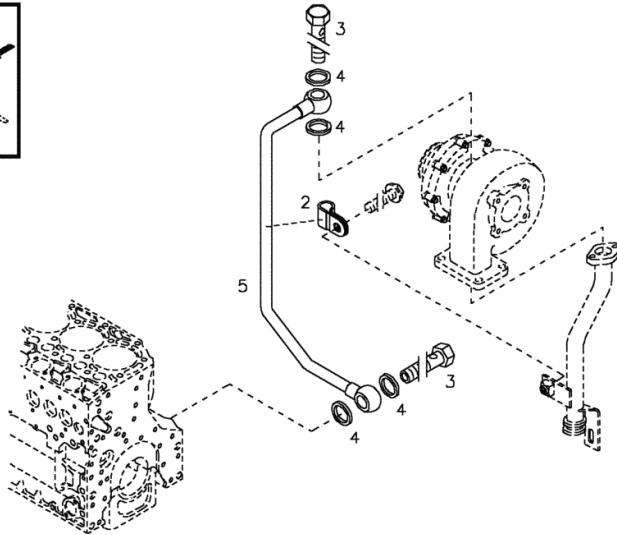
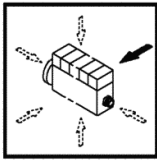
1	01172303	3	washer H 2308 -8,4X15X3
2	01181436	3	screw EN 1662 -F-M8X16-LG2,5-10.9-ZNAL-A

Section: ENGINE
OIL LUBRICATION PIPE

Fig.	Code	QTY	Name
------	------	-----	------

Engine Serial Numbers:

874461 884406 884407 884408 884409 884410 884411 884412 884413 884414 884415 884416 884417 884418
 884419 884420 884421 887643 887644 887645 887646 887647 887648 887649 887650 887651 887652 887653
 887654 887655 887656 887657 887658 887659 887660 887661 887662 887663 887664 887665 887666 887667
 887668 888096 888097 888098 888099 888100 888101 888102 888103 888104 890095 890096 890097 890098
 890099 890100 890101 890102 940440 940441 940442 940443 940444 940445 940446 940447 940448 940449
 940450 940451 940452 940453 940454 940455 940456 940457 940458 940459 940460 940461 940462 940463
 940464 942536 942537 942538 942539 942540 942541 942542 942543 942544 942545 942546 942547 942548
 942549 942550 942551 942552 942553 942554 942555 942754 942755 942756 942757 942758 942759 942760
 942761 942762 942763 942764 942765 942766 942767 942768 942769 942770 942771 942772 942773 950742
 950743 950744 950745 950746 950747 950748 950749 950750 950751 950752 950753 950754 950755 950756
 950757 950758 950759 950760 952738 952739 952740 952741 952742 952743 952744 952745 952746 952747
 953825 953826 953827 953828 953829 955483 955484 955485 955486 955487 955488 955489 955490 955491
 955492 955493 955494 955495 955496 955497 955498 955499 955500 955501 955502 956732 956733 956734
 956735 956736 956737 956738 956739 956740 956741 963642 963643 963644 963645 963646 963647 963648
 963649 963650 963651 963652 963653 963654 963655 963656 963657 963658 963659 963660 963661 963662
 963663 965203 965204 965205 965206 965207 965208 965209 965210 965211 965212 965213 968616 968617
 968618 968619 968620 968621 968622 968623 968624 968625 968626 968627 968987 968988 968989 968990
 968991 968992 968993 968994 968995 968996 968997 968998 968999 969000 969001 969002 969003 969004
 969005 969006 1023303 1023304 1023305 1023306 1023307 1023308 1023309 1023310 1023311 1023312 1023313
 1023314 1023315 1023316 1023317 1023318 1025622 1025623 1025624 1025625 1025626 1025627 1025628
 1025629 1025630 1025631 1025632 1025633 1025634 1025635 1025636 1025637 1025638 1028855 1028856
 1028857 1028858 1028859 1028860 1028861 1028862 1028863 1028864 1028865 1028866 1028867 1028868
 1028869 1028870 1028871 1028872 1028873 1028874 1030790 1030791 1030792 1030793 1030794 1030795
 1030796 1030797 1030798 1030799 1030800 1030801 1030802 1030803 1030804 1030805 1033778 1033779
 1036310 1093641 1093642 1093643 1093644 1093645 1093646 1093647 1093648 1093649 1097161 1097162
 1097163 1097164 1097165 1097166 1097167 1097168 1097720 1097721 1097722 1097723 1097724 1097725
 1097726 1097727 1097728 1097729 1097730 1097731 1097732 1098227 1098228 1098229 1098230 1098231
 1098232 1098233 1098234 1098235 1098236 1098237 1098238 1098239 10003385 10003386 10003387 10003388
 10008291 10008292 10008293 10008294 10008295 10008296 10008297 10008298 10008299 10008300 10012134
 10012135 10012136 10012137 10012138 10012139 10012140 10012141 10012142 10012143 10012144 10012145
 10012146 10012147 10012148 10013955 10013956 10013957



2	01175806	1	hose clip c10x20 H 3223 -C10X20-ST/MVQ-1-70
3	01119246	2	pipe union H 3102 -D10 M H 3102 -D10M-ST-A4C
4	01118688	4	ring 14x17 DIN 7603 -A14X18-CU
5	04254959	1	piping

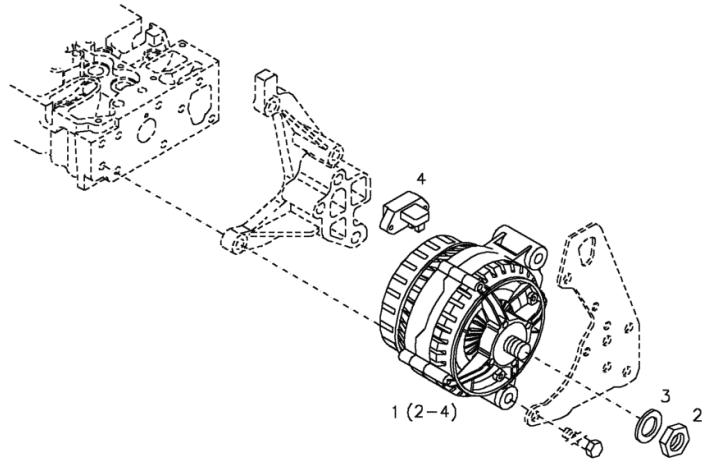
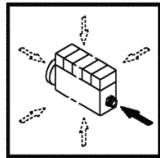
Section: ENGINE
GENERATOR

Fig.	Code	QTY	Name
------	------	-----	------

Engine Serial Numbers:

874461 884406 884407 884408 884409 884410 884411 884412 884413 884414 884415 884416 884417 884418
 884419 884420 884421 887643 887644 887645 887646 887647 887648 887649 887650 887651 887652 887653
 887654 887655 887656 887657 887658 887659 887660 887661 887662 887663 887664 887665 887666 887667
 887668 888096 888097 888098 888099 888100 888101 888102 888103 888104 890095 890096 890097 890098
 890099 890100 890101 890102 940440 940441 940442 940443 940444 940445 940446 940447 940448 940449
 940450 940451 940452 940453 940454 940455 940456 940457 940458 940459 940460 940461 940462 940463
 940464 942536 942537 942538 942539 942540 942541 942542 942543 942544 942545 942546 942547 942548
 942549 942550 942551 942552 942553 942554 942555 942754 942755 942756 942757 942758 942759 942760
 942761 942762 942763 942764 942765 942766 942767 942768 942769 942770 942771 942772 942773 950742
 950743 950744 950745 950746 950747 950748 950749 950750 950751 950752 950753 950754 950755 950756
 950757 950758 950759 950760 952738 952739 952740 952741 952742 952743 952744 952745 952746 952747
 953825 953826 953827 953828 953829 955483 955484 955485 955486 955487 955488 955489 955490 955491
 955492 955493 955494 955495 955496 955497 955498 955499 955500 955501 955502 956732 956733 956734
 956735 956736 956737 956738 956739 956740 956741 963642 963643 963644 963645 963646 963647 963648
 963649 963650 963651 963652 963653 963654 963655 963656 963657 963658 963659 963660 963661 963662
 963663 965203 965204 965205 965206 965207 965208 965209 965210 965211 965212 965213 968616 968617
 968618 968619 968620 968621 968622 968623 968624 968625 968626 968627 968987 968988 968989 968990
 968991 968992 968993 968994 968995 968996 968997 968998 968999 969000 969001 969002 969003 969004
 969005 969006 1023303 1023304 1023305 1023306 1023307 1023308 1023309 1023310 1023311 1023312 1023313
 1023314 1023315 1023316 1023317 1023318 1025622 1025623 1025624 1025625 1025626 1025627 1025628
 1025629 1025630 1025631 1025632 1025633 1025634 1025635 1025636 1025637 1025638 1028855 1028856
 1028857 1028858 1028859 1028860 1028861 1028862 1028863 1028864 1028865 1028866 1028867 1028868
 1028869 1028870 1028871 1028872 1028873 1028874 1030790 1030791 1030792 1030793 1030794 1030795
 1030796 1030797 1030798 1030799 1030800 1030801 1030802 1030803 1030804 1030805 1033778 1033779
 1036310 1093641 1093642 1093643 1093644 1093645 1093646 1093647 1093648 1093649 1097161 1097162
 1097163 1097164 1097165 1097166 1097167 1097168 1097720 1097721 1097722 1097723 1097724 1097725
 1097726 1097727 1097728 1097729 1097730 1097731 1097732 1098227 1098228 1098229 1098230 1098231
 1098232 1098233 1098234 1098235 1098236 1098237 1098238 1098239 10003385 10003386 10003387 10003388
 10008291 10008292 10008293 10008294 10008295 10008296 10008297 10008298 10008299 10008300 10012134
 10012135 10012136 10012137 10012138 10012139 10012140 10012141 10012142 10012143 10012144 10012145
 10012146 10012147 10012148 10013955 10013956 10013957

000 ©



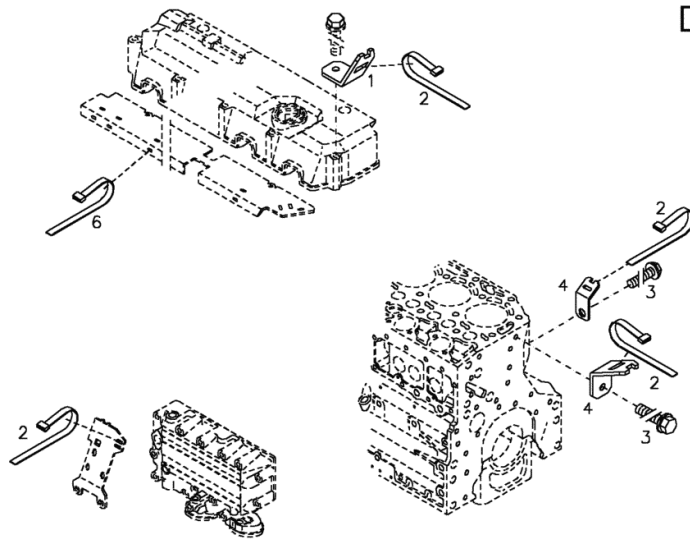
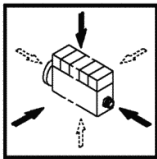
1	01182038	1	alternator H 821170-CIR14X95(COMP-BAUWEISE) WITH ITEM (2-4)
2	01131115	1	nut ISO 8675 -M16X1,5-05-A4C
3	01103952	1	spring disc DIN 137 -B16-FST-A4C
4	01181887	1	potentiometer H 822111-CI-14V70/95A

Section: ENGINE
FASTENINGS

Fig.	Code	QTY	Name
------	------	-----	------

Engine Serial Numbers:

874461 884406 884407 884408 884409 884410 884411 884412 884413 884414 884415 884416 884417 884418
 884419 884420 884421 887643 887644 887645 887646 887647 887648 887649 887650 887651 887652 887653
 887654 887655 887656 887657 887658 887659 887660 887661 887662 887663 887664 887665 887666 887667
 887668 888096 888097 888098 888099 888100 888101 888102 888103 888104 890095 890096 890097 890098
 890099 890100 890101 890102 940440 940441 940442 940443 940444 940445 940446 940447 940448 940449
 940450 940451 940452 940453 940454 940455 940456 940457 940458 940459 940460 940461 940462 940463
 940464 942754 942755 942756 942757 942758 942759 942760 942761 942762 942763 942764 942765 942766
 942767 942768 942769 942770 942771 942772 942773



000	1	04199094	1	console
	2	01176435	10	clamp H 007672-P 160X 4,8
	3	01143382	3	screw EN 001662-F-M 8 X 12-LG 2,5-10.9-A4C
	4	02249331	3	console
	6	01080571	6	band 172X4.6 H 007672-G 172X 4,6

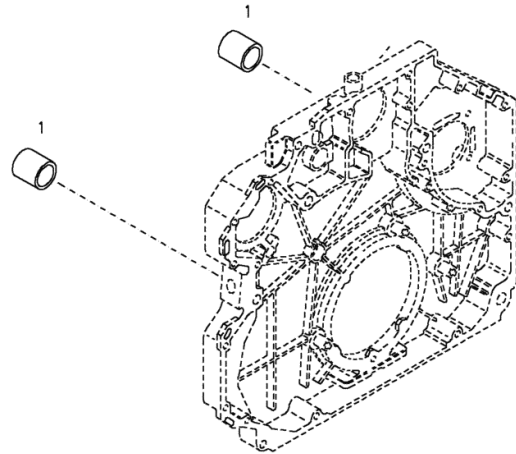
BUSH

Fig.	Code	QTY	Name
------	------	-----	------

Engine Serial Numbers:

874461 884406 884407 884408 884409 884410 884411 884412 884413 884414 884415 884416 884417 884418
 884419 884420 884421 887643 887644 887645 887646 887647 887648 887649 887650 887651 887652 887653
 887654 887655 887656 887657 887658 887659 887660 887661 887662 887663 887664 887665 887666 887667
 887668 888096 888097 888098 888099 888100 888101 888102 888103 888104 890095 890096 890097 890098
 890099 890100 890101 890102 940440 940441 940442 940443 940444 940445 940446 940447 940448 940449
 940450 940451 940452 940453 940454 940455 940456 940457 940458 940459 940460 940461 940462 940463
 940464 942536 942537 942538 942539 942540 942541 942542 942543 942544 942545 942546 942547 942548
 942549 942550 942551 942552 942553 942554 942555 942754 942755 942756 942757 942758 942759 942760
 942761 942762 942763 942764 942765 942766 942767 942768 942769 942770 942771 942772 942773 950742
 950743 950744 950745 950746 950747 950748 950749 950750 950751 950752 950753 950754 950755 950756
 950757 950758 950759 950760 952738 952739 952740 952741 952742 952743 952744 952745 952746 952747
 953825 953826 953827 953828 953829 955483 955484 955485 955486 955487 955488 955489 955490 955491
 955492 955493 955494 955495 955496 955497 955498 955499 955500 955501 955502 956732 956733 956734
 956735 956736 956737 956738 956739 956740 956741 963642 963643 963644 963645 963646 963647 963648
 963649 963650 963651 963652 963653 963654 963655 963656 963657 963658 963659 963660 963661 963662
 963663 965203 965204 965205 965206 965207 965208 965209 965210 965211 965212 965213 968616 968617
 968618 968619 968620 968621 968622 968623 968624 968625 968626 968627 968987 968988 968989 968990
 968991 968992 968993 968994 968995 968996 968997 968998 968999 969000 969001 969002 969003 969004
 969005 969006 1023303 1023304 1023305 1023306 1023307 1023308 1023309 1023310 1023311 1023312 1023313
 1023314 1023315 1023316 1023317 1023318 1025622 1025623 1025624 1025625 1025626 1025627 1025628
 1025629 1025630 1025631 1025632 1025633 1025634 1025635 1025636 1025637 1025638 1028855 1028856
 1028857 1028858 1028859 1028860 1028861 1028862 1028863 1028864 1028865 1028866 1028867 1028868
 1028869 1028870 1028871 1028872 1028873 1028874 1030790 1030791 1030792 1030793 1030794 1030795
 1030796 1030797 1030798 1030799 1030800 1030801 1030802 1030803 1030804 1030805 1033778 1033779
 1036310 1093641 1093642 1093643 1093644 1093645 1093646 1093647 1093648 1093649 1097161 1097162
 1097163 1097164 1097165 1097166 1097167 1097168 1097720 1097721 1097722 1097723 1097724 1097725
 1097726 1097727 1097728 1097729 1097730 1097731 1097732 1098227 1098228 1098229 1098230 1098231
 1098232 1098233 1098234 1098235 1098236 1098237 1098238 1098239 10003385 10003386 10003387 10003388
 10008291 10008292 10008293 10008294 10008295 10008296 10008297 10008298 10008299 10008300 10012134
 10012135 10012136 10012137 10012138 10012139 10012140 10012141 10012142 10012143 10012144 10012145
 10012146 10012147 10012148 10013955 10013956 10013957

000 ©



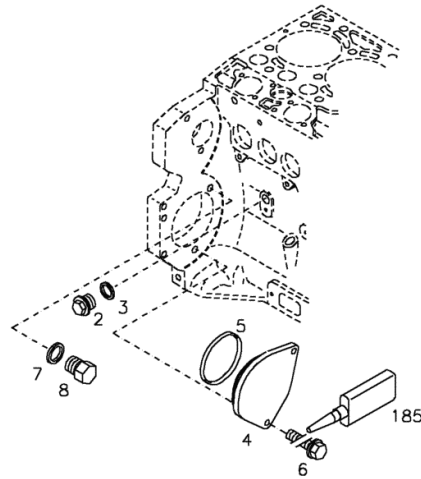
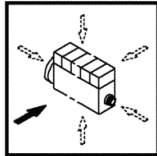
1	04206381	2	bushing 13x18x20
---	----------	---	------------------

Section: ENGINE
CLOSING COMPONENTS

Fig.	Code	QTY	Name
------	------	-----	------

Engine Serial Numbers:

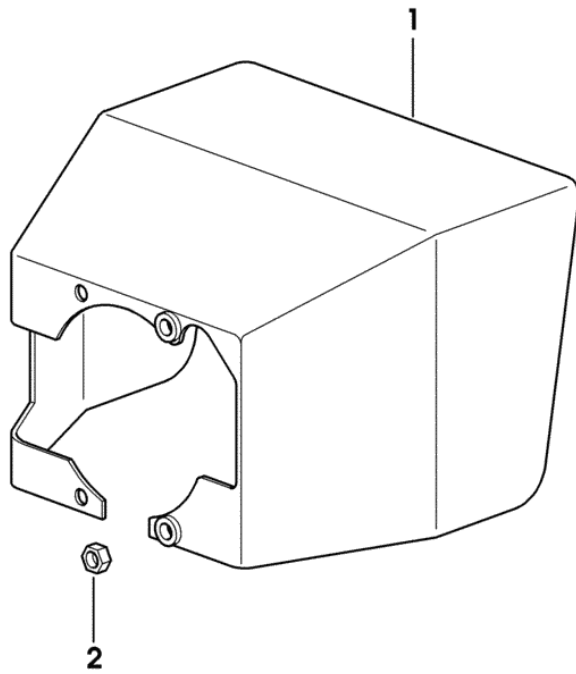
874461 884406 884407 884408 884409 884410 884411 884412 884413 884414 884415 884416 884417 884418
 884419 884420 884421 887643 887644 887645 887646 887647 887648 887649 887650 887651 887652 887653
 887654 887655 887656 887657 887658 887659 887660 887661 887662 887663 887664 887665 887666 887667
 887668 888096 888097 888098 888099 888100 888101 888102 888103 888104 890095 890096 890097 890098
 890099 890100 890101 890102 940440 940441 940442 940443 940444 940445 940446 940447 940448 940449
 940450 940451 940452 940453 940454 940455 940456 940457 940458 940459 940460 940461 940462 940463
 940464 942536 942537 942538 942539 942540 942541 942542 942543 942544 942545 942546 942547 942548
 942549 942550 942551 942552 942553 942554 942555 942754 942755 942756 942757 942758 942759 942760
 942761 942762 942763 942764 942765 942766 942767 942768 942769 942770 942771 942772 942773 950742
 950743 950744 950745 950746 950747 950748 950749 950750 950751 950752 950753 950754 950755 950756
 950757 950758 950759 950760 952738 952739 952740 952741 952742 952743 952744 952745 952746 952747
 953825 953826 953827 953828 953829 955483 955484 955485 955486 955487 955488 955489 955490 955491
 955492 955493 955494 955495 955496 955497 955498 955499 955500 955501 955502 956732 956733 956734
 956735 956736 956737 956738 956739 956740 956741 963642 963643 963644 963645 963646 963647 963648
 963649 963650 963651 963652 963653 963654 963655 963656 963657 963658 963659 963660 963661 963662
 963663 965203 965204 965205 965206 965207 965208 965209 965210 965211 965212 965213 968616 968617
 968618 968619 968620 968621 968622 968623 968624 968625 968626 968627 968987 968988 968989 968990
 968991 968992 968993 968994 968995 968996 968997 968998 968999 969000 969001 969002 969003 969004
 969005 969006 1023303 1023304 1023305 1023306 1023307 1023308 1023309 1023310 1023311 1023312 1023313
 1023314 1023315 1023316 1023317 1023318 1025622 1025623 1025624 1025625 1025626 1025627 1025628
 1025629 1025630 1025631 1025632 1025633 1025634 1025635 1025636 1025637 1025638 1028855 1028856
 1028857 1028858 1028859 1028860 1028861 1028862 1028863 1028864 1028865 1028866 1028867 1028868
 1028869 1028870 1028871 1028872 1028873 1028874 1030790 1030791 1030792 1030793 1030794 1030795
 1030796 1030797 1030798 1030799 1030800 1030801 1030802 1030803 1030804 1030805 1033778 1033779
 1036310 1093641 1093642 1093643 1093644 1093645 1093646 1093647 1093648 1093649 1097161 1097162
 1097163 1097164 1097165 1097166 1097167 1097168 1097220 1097221 1097222 1097223 1097224 1097225
 1097226 1097227 1097228 1097229 1097230 1097231 1097232 1098227 1098228 1098229 1098230 1098231
 1098232 1098233 1098234 1098235 1098236 1098237 1098238 1098239 10003385 10003386 10003387 10003388
 10008291 10008292 10008293 10008294 10008295 10008296 10008297 10008298 10008299 10008300 10012134
 10012135 10012136 10012137 10012138 10012139 10012140 10012141 10012142 10012143 10012144 10012145
 10012146 10012147 10012148 10013955 10013956 10013957



2	01100940	1	screw DIN 7604 -AM14X1,5-ST-A4C
3	01118688	1	ring 14x17 DIN 7603 -A14X18-CU
4	04283180	1	cover
5	01180803	1	gasket H 2927 -96X4-NBR-1-70
6	01181393	2	screw EN 1662 -F-M10X20-10.9-A4C
7	01118659	1	'o' ring DIN 7603 -A10X13,5-CU
8	01181401	1	screw
185	01016127	1	sealing compound ml. 50 H 699 -DEUTZDW72-50ML

P.T.O. SHAFT PROTECTOR REAR

Fig.	Code	QTY	Name
1	0.013.0049.3	1	guard
2	01112824	4	nut m 8, d934



9_A3536_20_0_0

FRONT CARRIER SUSPENSION SYSTEM LOAD SENSING

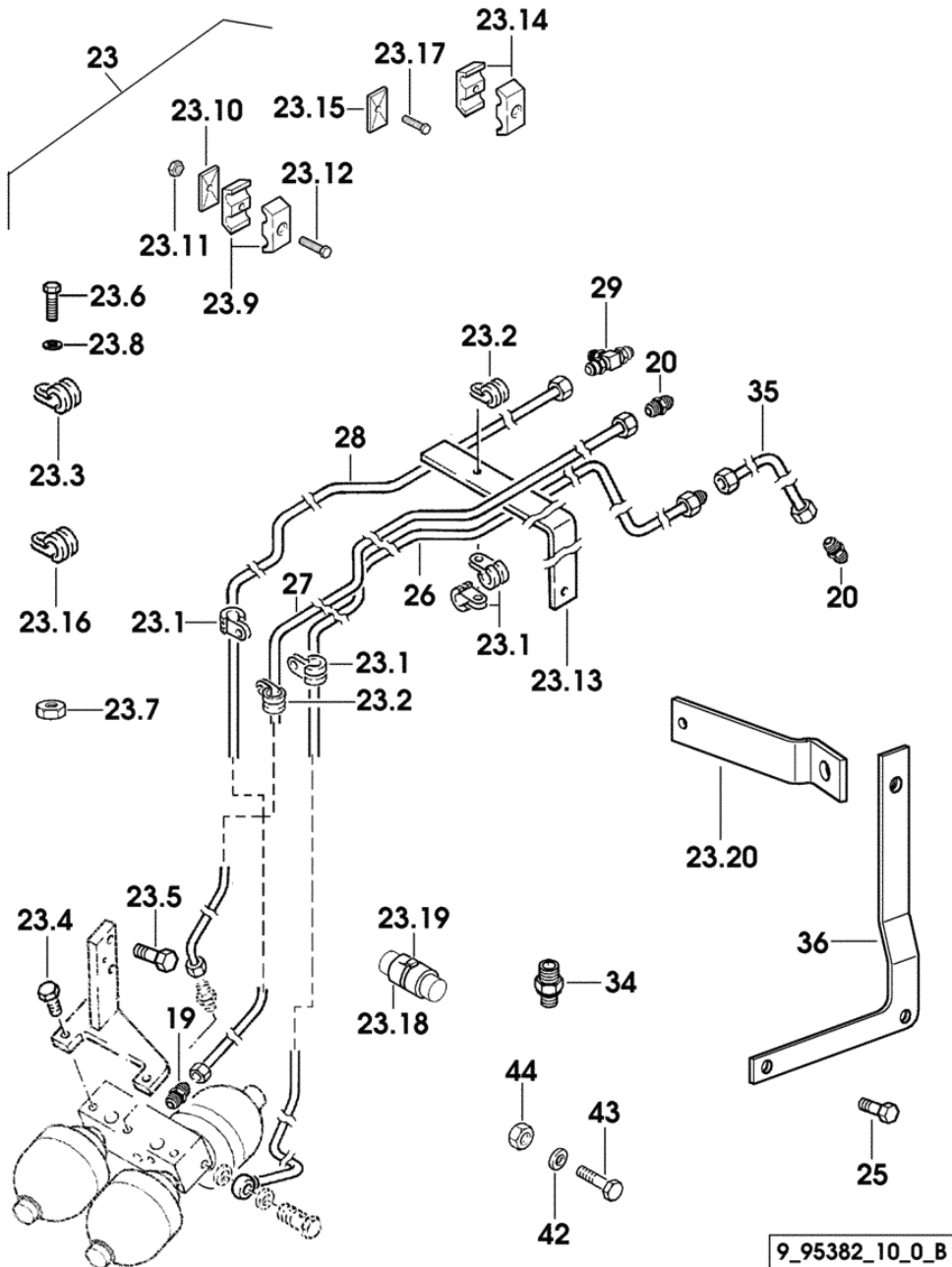


Fig.	Code	QTY	Name
19	01177226	2	pipe fitting m 18 p.1.5 x 15
20	01180558	2	pipe fitting M 16X1.5X10
23	04437840.4	1	kit
23.1	01220008	4	hose clip B10X20
23.2	01212670	3	hose clip B10X15
23.3	01179680	4	clamp A15X15
23.4	01139931	2	screw m 10 x 25
23.5	01112529	2	screw m 12 x 30, d933
23.6	01103316	3	screw m 6 p.1.0 x 16
23.7	01127079	2	nut m 6
23.8	01178434	2	washer 13X21X1.5
23.9	01175727	2	terminal
23.10	01175670	1	small plate
23.11	01112824	1	nut m 8, d934
23.12	01124457	1	screw m 8 x 45
23.13	04426998	1	console
23.14	01175615	4	terminal Ø 16
23.15	01178734	3	small plate
23.16	01172129	2	terminal B8X15
23.17	01112279	1	screw m 6 p.1 x 40
23.18	02382224	1	sleeve 12
23.19	01172065	1	clamp 4.6 x 146
23.20	04436639	1	support
25	01112299	2	screw m 8 x 12, d933
26	04437821	1	pipng
27	04437822	1	tube
28	04437823	1	tube
29	04427045	1	pipe fitting T
34	01179243	1	pipe fitting M 14X1.5X10
35	04450489	1	pipng
36	04438092	1	support
42	01119817	2	washer
43	01123749	2	screw m 6 x 25
44	01127079	2	nut m 6

9_95382_10_0_B

Section: FRONT AXEL

DRIVEN STEERING AXLE - FOR TYPES WITHOUT SUSPENSION - FOR TYPES WITH "ASM SYSTEM" ZF

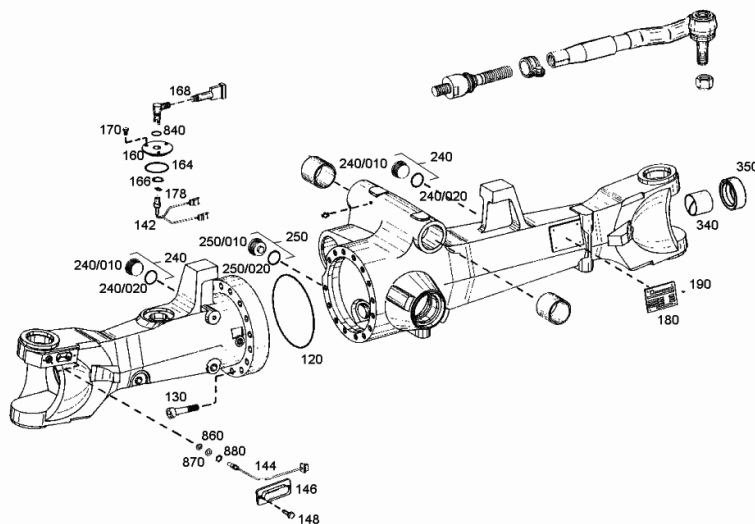
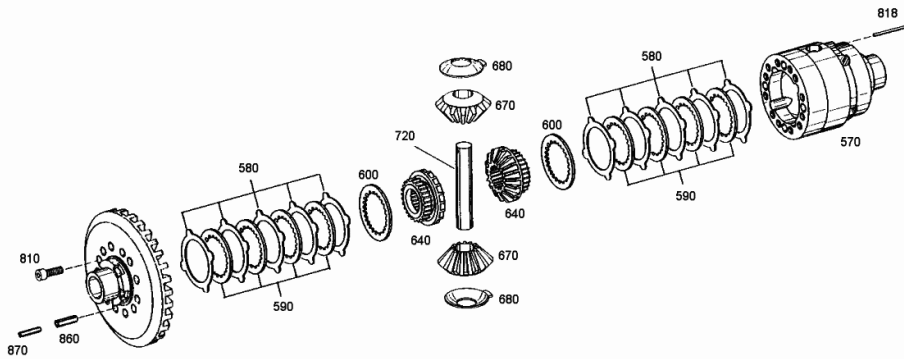


Fig.	Code	QTY	Name
120	04415192	1	'o' ring 156 X 3
130	0.010.3242.1	15	screw m 14x65
142	04415267	1	cable
144	04415266	2	position sensor cover
146	04415265	1	cover
148	0.010.2920.1	2	screw m 5x10
160	04415263	1	cover
164	01320126	1	'o' ring 42x2.5
166	0.010.2921.0	1	circlip 18x1.2
168	04415264	1	stop
170	0.010.2921.1	3	screw m 6 x 12
178	04415261	1	gasket
180	04415199	1	number plate
190	0.010.2609.1	4	rivet 3 x 5
240	0.000.0000.1	2	not serviceable plug m 36 p.1.5
240.10	0.010.2921.2	2	plug m 36 p.1.5
240.20	0.010.3352.0	2	'o' ring 33x2.2
250	0.000.0000.1	1	not serviceable plug m 36 p.1.5
250.10	0.010.2921.2	1	plug m 36 p.1.5
250.20	0.010.3352.0	1	'o' ring 33x2.2
340	04424496	2	bushing
350	0.010.3827.0	2	circlip 46x65x21
840	0.010.2923.0	1	ring 14x1.78
860	04415198	2	shim 7x13x0.2
860	0.010.2926.1	2	disc 7x13x1.2
860	04415197	2	shim 7x13x0.3
860	04415196	2	shim 7x13x0.5
860	04415195	2	shim 7x13x1.0
860	0.010.2926.2	2	disc 7x13x0.6
860	0.010.2927.0	2	disc 7x13x0.9
860	0.010.2927.1	2	disc 7x13x1.1
860	0.010.2925.2	2	disc 7x13x1.15
860	0.010.2924.1	2	disc 7 x 13 x 1.25
860	0.010.2923.2	2	disc 7x13x1.40
860	0.010.2924.0	2	disc 7x13x1.45
860	0.010.2925.0	2	disc 7x13x1.50
860	0.010.2925.1	2	disc 7x13x1.60
860	0.010.2924.2	2	disc 7x13x1.70
860	0.010.2926.0	2	disc 7x13x1.3
870	0.010.2923.1	2	washer 8
880	04415194	4	washer ZJ 16.0

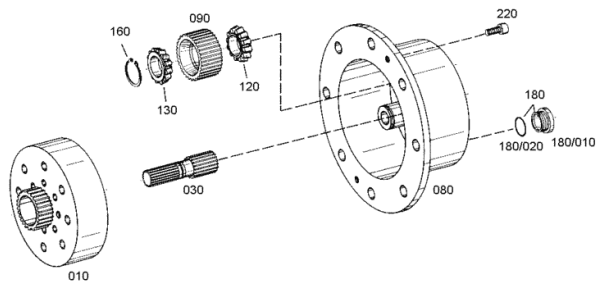
DIFFERENTIAL - WITH SELF-LOCKING DISC DIFF LOCK ZF

Fig.	Code	QTY	Name
570	04419204	1	differential carrier
580	04415079	10	thin plate mm 1.00
580	04415080	10	thin plate mm 1.1
580	04415081	10	thin plate mm 1.2
590	04415077	8	thin plate
600	04415076	2	pressure plate
640	04415082	2	crown wheel Z = 16
670	04415083	2	planet gear Z = 11
680	04415084	2	shim
720	04415085	1	pin
810	0.010.3356.1	12	screw m 10 x 25
818	0.010.3252.2	1	roll pin 5 x 55
860	0.010.3347.2	4	roll pin 13x26
870	0.010.3348.1	4	roll pin 8x26



Section: FRONT AXEL
PLANETARY GEAR ZF

Fig.	Code	QTY	Name
10	04417263	2	crown wheel
30	04423358	2	shaft
80	0.900.0003.7	2	spider
90	0.900.0003.8	6	planet gear Z = 39
120	0.900.0003.6	6	bearing
130	0.900.0003.5	6	bearing
160	04417259	6	ring
180	0.000.0000.1	2	not serviceable
180.10	0.010.2921.2	2	plug m 36 p.1.5
180.20	0.010.3352.0	2	'o' ring 33x2.2
220	0.010.2936.2	4	screw m 10 x 20



Section: GEAR
POWERSHIFT

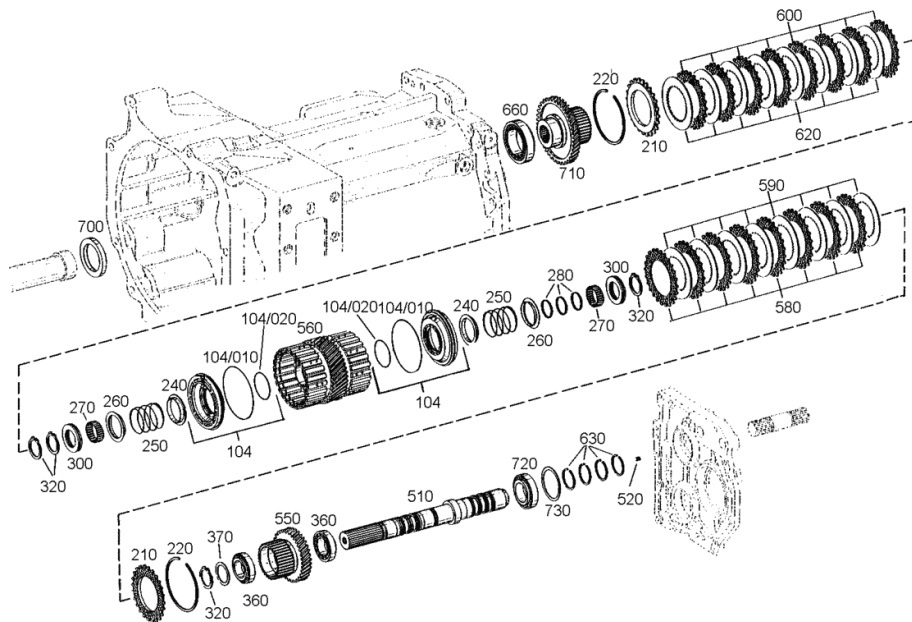
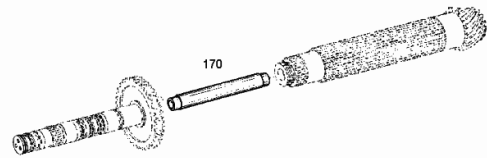
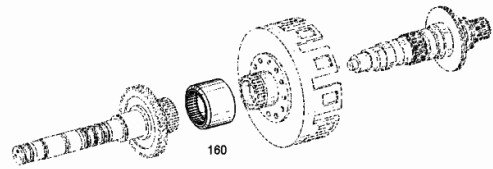


Fig.	Code	QTY	Name
370	04417025	2	washer mm 1.65
370	04417026	2	washer mm 1.7
370	04417027	2	washer mm 1.75
370	04417028	2	washer mm 1.80
370	04417029	2	shim mm 1.225
370	04417030	2	shim mm 1.275
370	04417031	2	shim mm 1.325
370	04417032	2	shim mm 1.375
370	04417033	2	shim mm 1.425
370	04417034	2	shim mm 1.475
370	04417035	2	shim mm 1.525
370	04417036	2	shim mm 1.575
370	04417037	2	shim mm 1.625
370	04417038	2	shim mm 1.675
370	04417039	2	shim mm 1.725
370	04417040	2	shim mm 1.775
370	0.010.2886.0	2	washer mm 1.175
370	0.010.2886.1	2	washer mm 1.15
510	04417243	1	transmission shaft (...) <- shaft Z = 29 -> (...)
510	0.900.0122.1	1	shaft Z = 29 -> (...)
520	0.900.0120.7	3	plug -> (...)
520	04416947	3	grain m 8x8 (...) <-
550	04427567	1	gear Z = 32 / Z = 36
560	04423364	1	support
580	04416760	8	clutch disc AV 35
590	04416967	8	clutch disc
600	04416760	8	clutch disc AV 35
620	04416967	8	clutch disc
630	04416364	4	ring 40x2
660	0.010.3256.1	1	roller bearing
700	04416975	1	'o' ring
710	04417245	1	gear Z = 50
720	04416948	1	bearing
730	04417077	1	washer mm 1.7
730	04417078	1	washer mm 1.75
730	04417079	1	washer mm 1.80
730	04417080	1	washer mm 1.85
730	04417081	1	washer mm 1.90
730	04417082	1	washer mm 1.95
730	04417083	1	washer mm 2.00

COMPLETION - WITHOUT CREEP SPEED

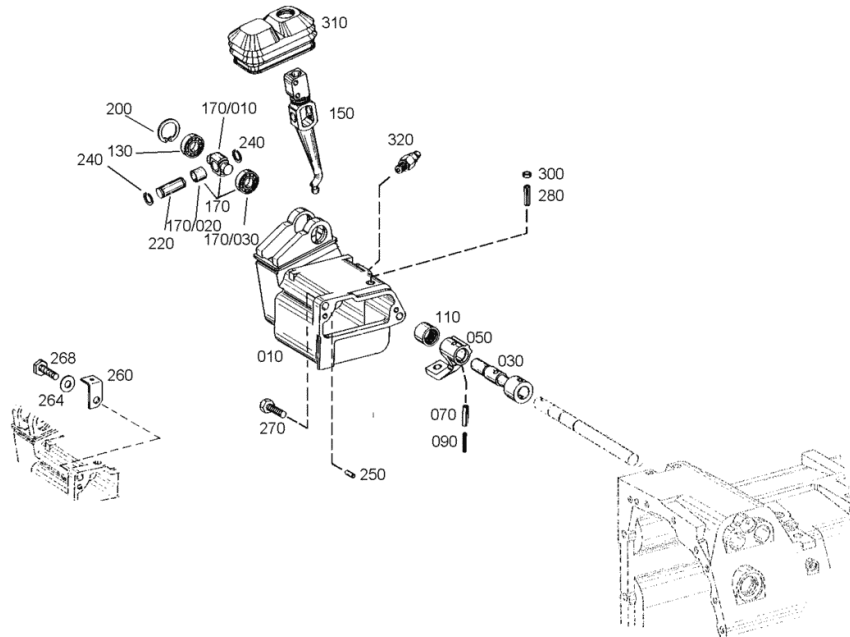
Fig.	Code	QTY	Name
160	04416816	1	bushing
170	04423259	1	tube



Section: GEAR

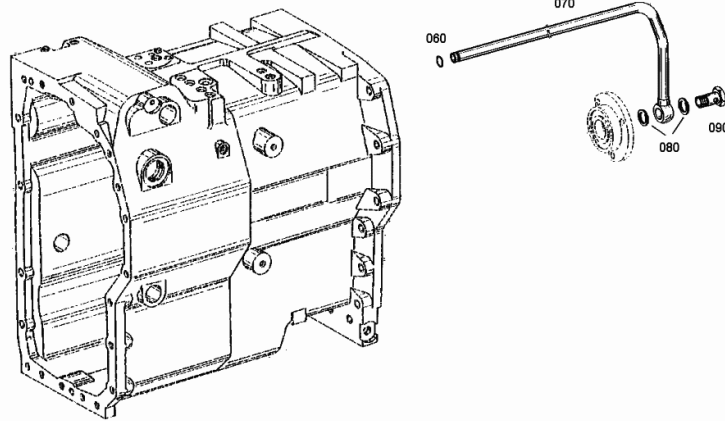
GEARSHIFT CONTROL WITH HYDRAULIC SHUTTLE

Fig.	Code	QTY	Name
10	0.010.2908.2	1	chassis
30	04416053	1	shaft
50	04416054	1	arm
70	04416707	1	pin 10x36
90	0.010.2617.1	1	pin 6x36
110	04416438	1	pin
130	04416057	1	bearing 20x42x12
150	04423361	1	gear lever
170	0.010.2884.2	1	universal joint
170.10	04416060	1	universal joint
170.20	04416061	1	bearing
170.30	04416057	1	bearing 20x42x12
200	0.010.2617.2	1	circlip 42x1.75
220	04416062	1	pin
240	04416063	2	circlip SW 20
250	04416064	2	pin 10 m 6x24
260	0.010.2885.0	1	support
264	04427605	2	ring
268	04433252	1	screw m 12 x 50
270	0.010.2885.1	1	screw m 12 x 40
280	04416440	1	pin 12x40
300	0.010.2885.2	1	cover 16
310	04416803	1	guard
320	04416066	1	switch



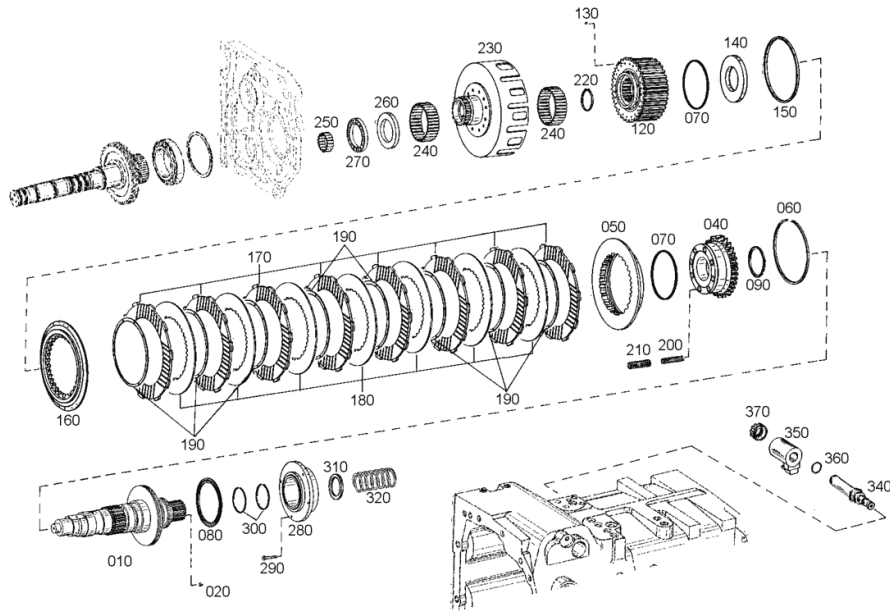
Section: GEAR
OIL SUPPLY

Fig.	Code	QTY	Name
60	02968175	1	'o' ring 15x2
70	04415922	1	tube
80	0.010.2622.0	2	gasket 22 x 27
90	04415923	1	pipe union 18 DIN 7643



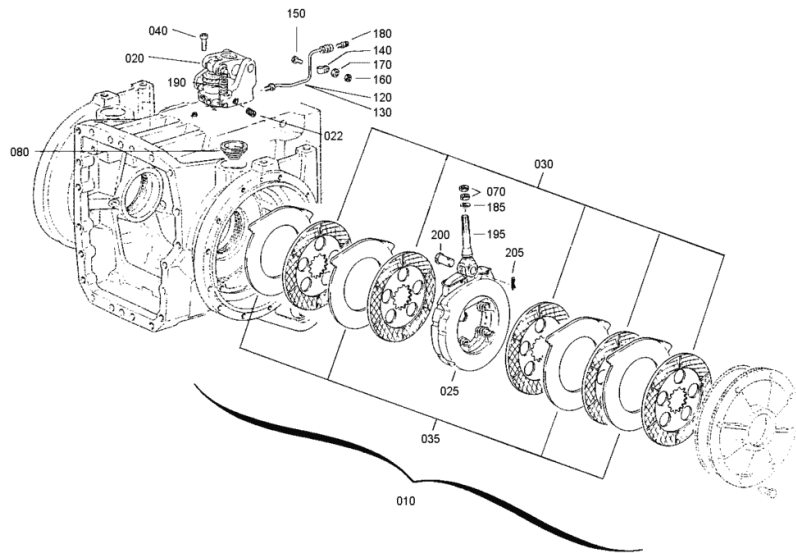
Section: GEAR
CLUTCH - AT CREEP SPEED

Fig.	Code	QTY	Name
310	0.010.2911.2	1	washer mm 2.9
310	0.010.2912.0	1	washer mm 3.0
310	0.010.2912.1	1	washer mm 3.1
310	0.010.2912.2	1	washer mm 3.2
320	04435183	1	spring
340	04434424	1	regulator
350	04434425	1	electromagnet
360	04434427	1	'o' ring
370	04434426	1	nut



Section: GEAR
SERVICE BRAKE

Fig.	Code	QTY	Name
10	04428541	2	brake disc
20	04436310	2	stop
22	0.010.2900.0	2	screw m 8 x 16
25	04428543	2	operation
30	04426602	10	disc
35	04435745	8	thin plate
40	04435698	6	screw
70	04434557	4	nut m 14 p.1.5
80	04428544	2	sleeve
120	04428545	1	tube sx/lh/li
130	04428546	1	piping dx/rh/re
140	04428547	2	hose clip
150	0.010.2900.1	2	screw m 5 p.0.8 x 25
160	0.010.2900.2	2	screw m 5
170	0.010.2901.0	2	nut m 6
180	04428548	2	pin
185	04428549	2	small disc
190	04428550	2	spring
195	04428551	2	rod
200	04428552	2	pin
205	04428553	2	split pin



Section: REAR AXLE
BRAKE CONTROLS

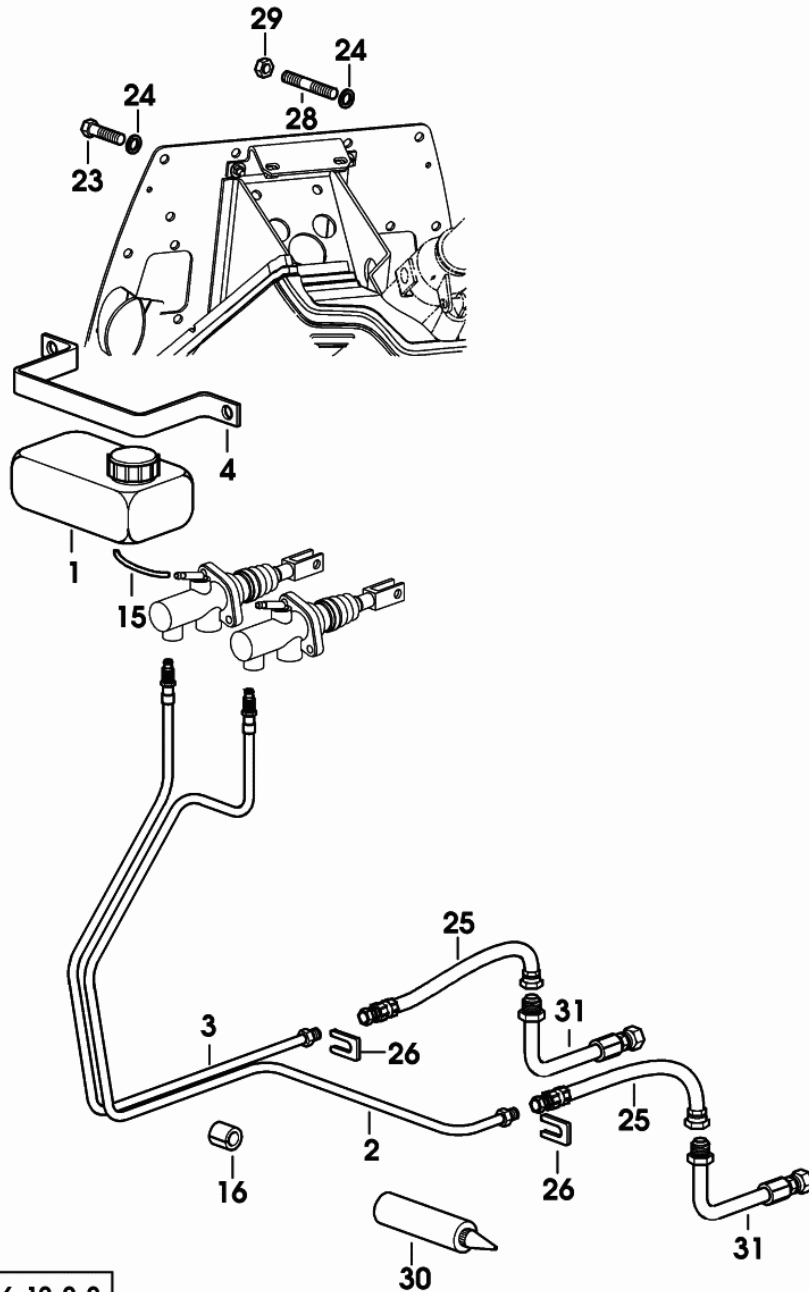
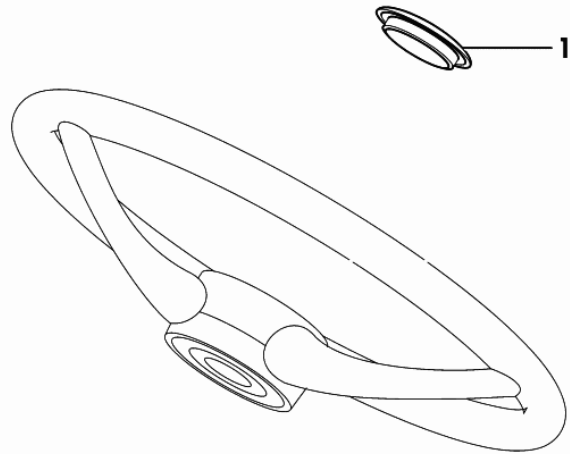


Fig.	Code	QTY	Name
1	04432281	1	tank COMPONENT PARTS SEE COMPONENTS LIST ☞ 04432281 ☞ 03.00.2
2	04429566	1	piping sx/lh/li
3	04429567	1	piping dx/rh/re
4	01144700	1	clamp DIN 3017- 100-120
15	04433699	0	guard
16	01218045	9	rubber plug
23	04426352	9	screw m 8 p.1.25 x 20
24	01107101	10	washer 8.4
25	04415735	2	flange
26	01121654	2	stop
28	01113381	1	stud bolt m 8x20 DIN 939
29	01112824	1	nut m 8, d934
30	01009463	0	sealing compound H 699 -DEUTZ DW 43
31	04422366	2	tube

9_95366_10_0_0

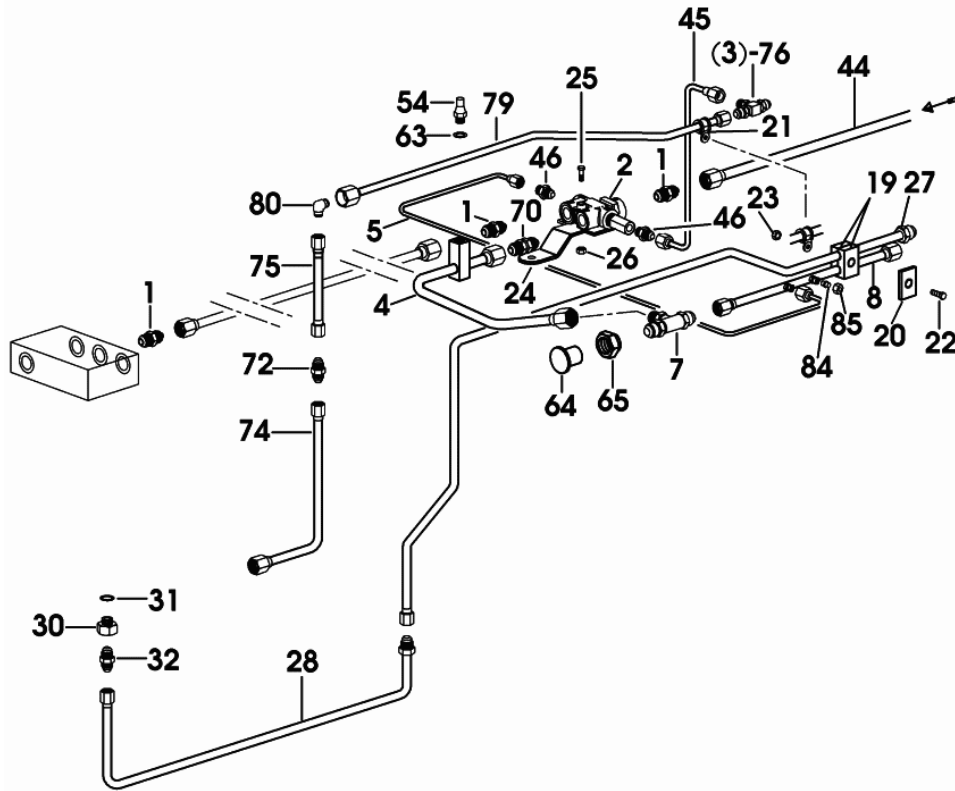
PLUG

Fig.	Code	QTY	Name
1	04395210	1	plug DEUTZ-FAHR



9_A0563_01_0_0

HYDR. BRAKING WITHOUT LOAD SENSING PUMP - FOR TYPES WITHOUT PNEUMATIC BRAKE



9_95363_06_0_B

Fig.	Code	QTY	Name
79	04450568	1	pipng
80	04450567	1	tongue
84	01180564	1	plug
85	01127346	1	nut

HYDR. BRAKING WITH LOAD SENSING PUMP - FOR TYPES WITH PNEUMATIC BRAKE

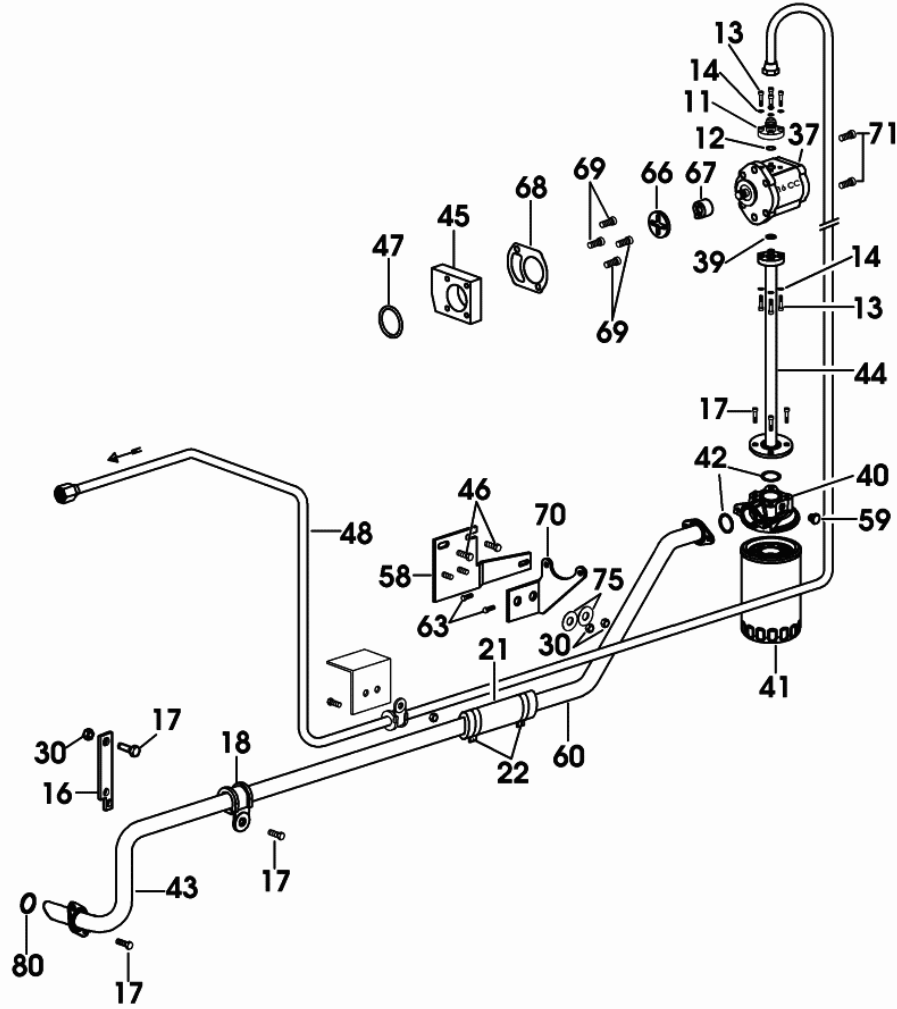
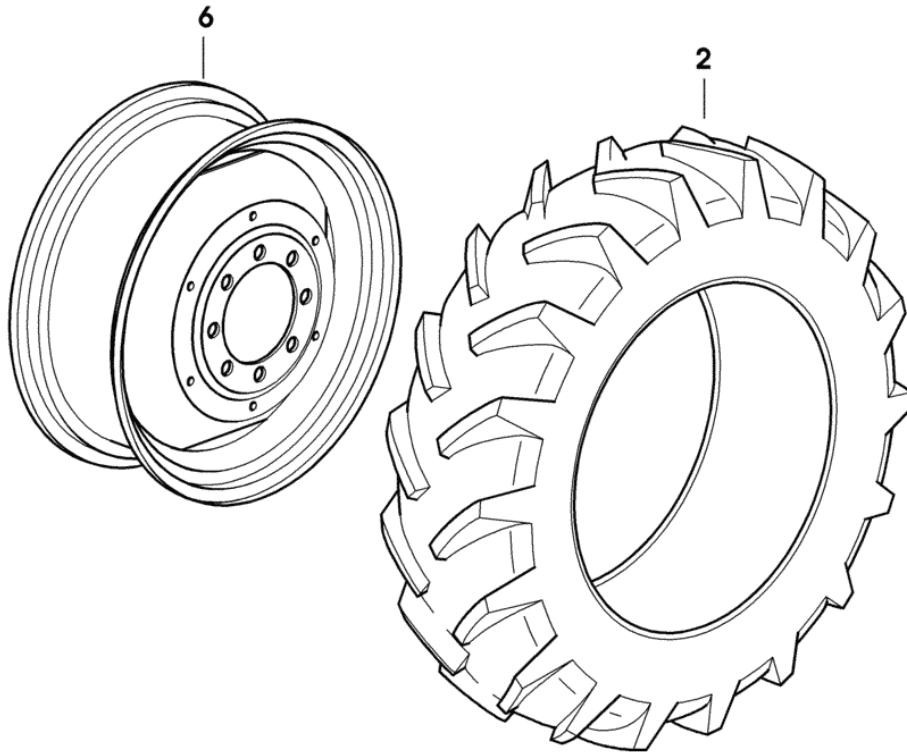


Fig.	Code	QTY	Name
75	01136363	2	washer 8.4
80	04450572	1	'o' ring 28x2

9_95363_03_0_A

WHEELS 16.9R24" 134A8

Fig.	Code	QTY	Name
2	2.4811.057.0	2	tyre 420/85R24"(16.9R24" a8)
6	04425806	2	rim W 14Lx24"

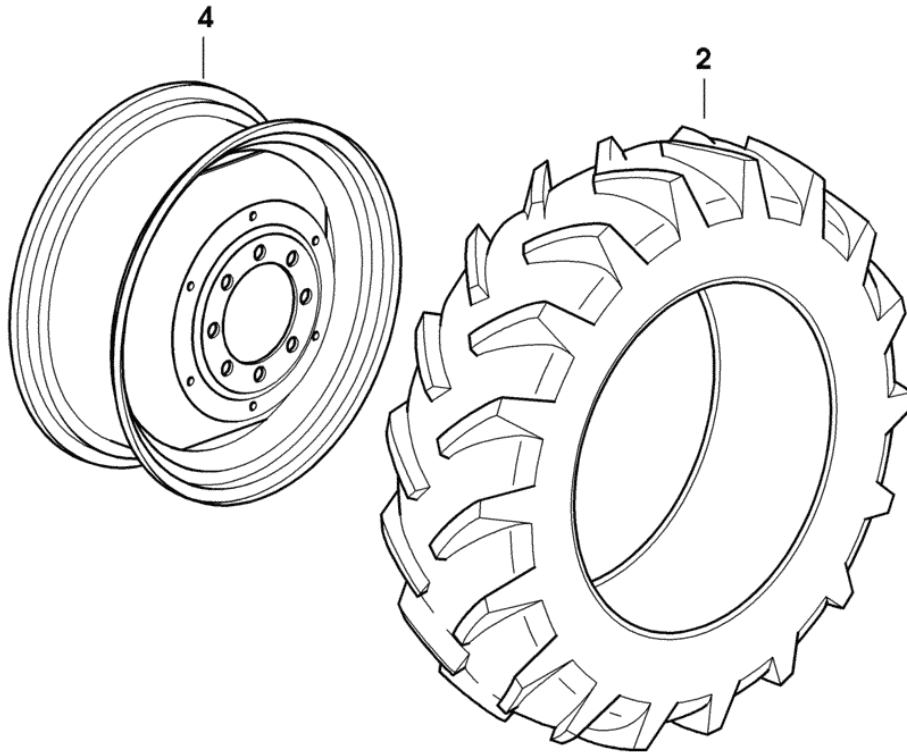


9_95355_23_0_0

Section: WHEELS

WHEELS 16.9R38" 141A8

Fig.	Code	QTY	Name
2	04414285	2	tyre 16.9R38" 141A8
4	04425837	2	disc DWW 15Lx38"



9_95355_44_0_0

CLICK HERE TO **DOWNLOAD** THE COMPLETE MANUAL

- Thank you very much for reading the preview of the manual.
- You can download the complete manual from: www.heydownloads.com by clicking the link below



- Please note: If there is no response to CLICKING the link, please download this PDF first and then click on it.

CLICK HERE TO **DOWNLOAD** THE COMPLETE MANUAL