

## Agroplus S 90 (20") -> 8001

### V0 - BALLAST, TOWING HITCHES

#### FRONT HITCHES

FRONT TOWING HITCH..... V0.01.0 (1)

#### REAR HITCHES

SPACER FOR TYPES WITH 2-SPEED P.T.O. WITH INSERTED END SHAFTS 540-750..... V0.02.3 (1)

SPACER FOR TYPES WITH PTO WITH INTERCHANGEABLE OUTPUT SHAFTS - 2 -SPEED + GROUNDSP. AND 3- SPEED..... V0.02.4 (1)

REAR OSCILLATING HITCH..... V0.02.6 (1)

REAR TOWING HITCH SUPPORTS..... V0.02.8 (1)

REAR TOWING HITCH BRACKET SL21C..... V0.02.11 (1)

REAR TOWING HITCH BRACKET SL2D..... V0.02.12 (1)

REAR TOWING HITCH CAT. " C "..... V0.02.13 (1)

FRAME HOOK HOLDER..... V0.02.14 (1)

REAR TOWING HITCH CAT. " C "..... V0.02.15 (2)

REAR TOWING HITCH CAT. " D "..... V0.02.16 (2)

REAR TOWING HITCH CAT. " D2 "..... V0.02.17 (2)

AUTOMATIC REAR TOWING HITCH CEE Ø 31..... V0.02.20 (1)

AUTOMATIC REAR TOWING HITCH CEE Ø 31..... V0.02.21 (1)

AUTOMATIC REAR TOWING HITCH CEE Ø 31..... V0.02.21 (2)

REAR TOWING HITCH CEE..... V0.02.22 (1)

REAR TOWING HITCH CAT: "C"..... 0.014.4450.3.A

REAR TOWING HITCH CAT: "D"..... 0.014.4451.3.A

DRAWBAR COUPLING CAT: "D2"..... 0.014.4452.3/10.A

SLIDE..... 0.014.8203.3/20.A

DRAWBAR COUPLING Ø 31, kpl..... 0.014.8208.3.A

CHASSIS..... 0.014.8232.3.A

DRAWBAR COUPLING Ø 31, kpl..... 0.015.5754.3.A

#### FRONT BALLAST WEIGHTS

FRONT BALLAST KG. 70..... V0.03.2 (1)

FRONT BALLAST KG. 250..... V0.03.3 (1)

BALLAST LOCK BAR mm 30x780..... V0.03.4 (1)

CLICK HERE TO **DOWNLOAD** THE COMPLETE MANUAL

- Thank you very much for reading the preview of the manual.
- You can download the complete manual from: [www.heydownloads.com](http://www.heydownloads.com) by clicking the link below



- Please note: If there is no response to CLICKING the link, please download this PDF first and then click on it.

CLICK HERE TO **DOWNLOAD** THE COMPLETE MANUAL

**Agroplus S 90 (20") -> 8001**

Section: V0 - BALLAST, TOWING HITCHES

Ref.: V0.02.15 (2)

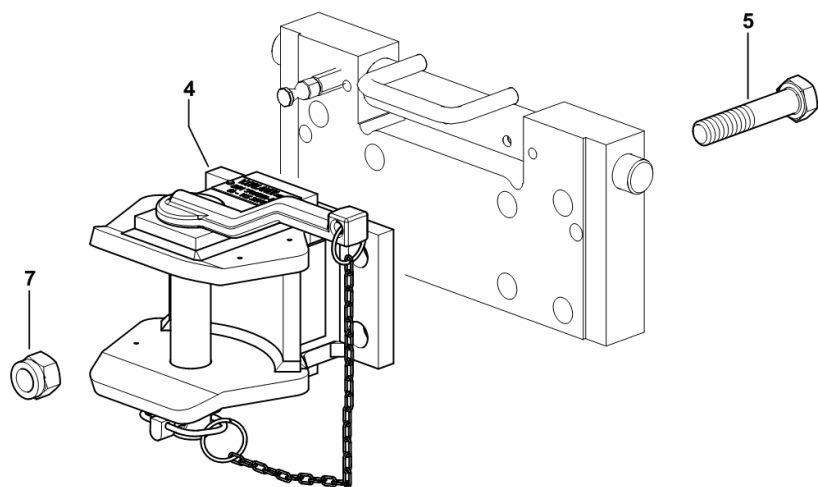
**REAR TOWING HITCH CAT. " C "**

Fig.	Code	QTY	Name
------	------	-----	------

**Notes:**

[Agroplus S 90 (20") -> 8001]

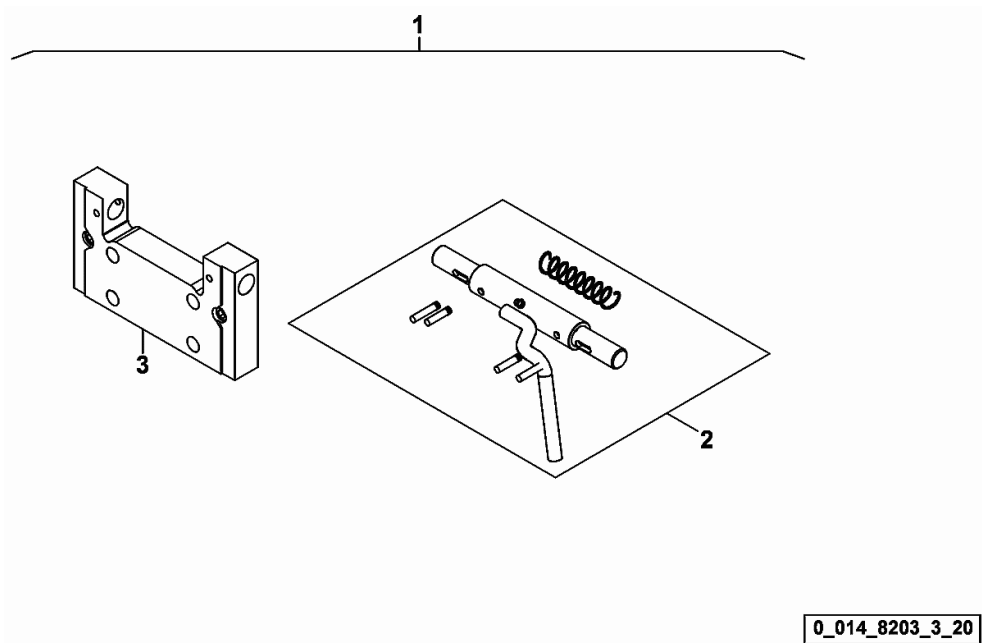
4	0.014.4450.3	1	tow hook V.ORLANDI CAT. " C " ☞ 0.014.4450.3
5	2.0112.727.2	4	screw m 18 p.2.5 x 90
7	2.1129.014.2	4	nut m 18 p.2.5



9\_64831\_70\_0-A-002

**SLIDE**

Fig.	Code	QTY	Name
1	0.014.8203.3/20	1	support V.ORLANDI
2	0.900.0522.1	1	sub-assy parts
3	0.000.0000.1	0	not serviceable



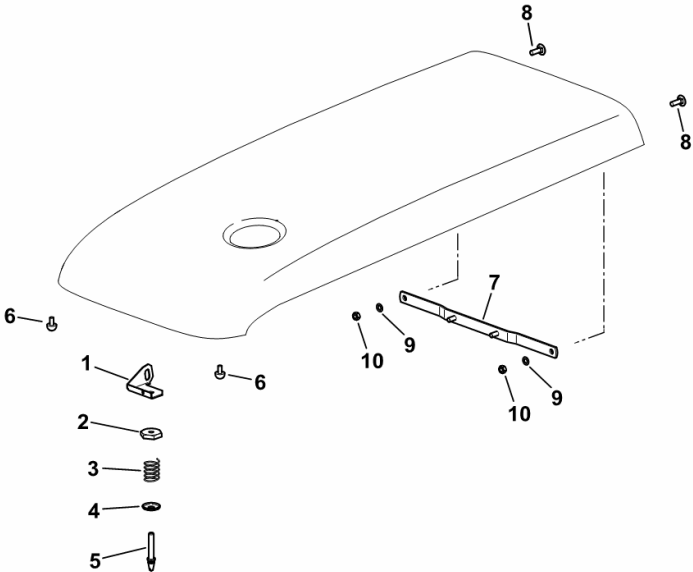
INTERIOR TRIM.....	G0.06.9 (1)
INTERIOR TRIM.....	G0.06.9 (2)
COVER.....	G0.06.11 (1)
CONTROL CONSOLE DX/RH/RE.....	G0.06.12 (1)
CONTROL CONSOLE DX/RH/RE.....	G0.06.13 (1)
CONTROL CONSOLE DX/RH/RE.....	G0.06.14 (1)
CONTROL CONSOLE DX/RH/RE.....	G0.06.15 (1)
CONSOLE HANDLE DX/RH/RE.....	G0.06.16 (1)
POWER LIFT CONTROL CONSOLE FIXING.....	G0.06.17 (1)
CONTROL CONSOLE - LOWER PART.....	G0.06.18 (1)
INTERIOR TRIM.....	G0.06.21 (1)
INTERNAL CAB LININGS.....	G0.06.24 (1)
INTERNAL CAB LININGS.....	G0.06.27 (1)
INTERIOR TRIM.....	G0.06.29 (1)
INTERIOR TRIM.....	G0.06.30 (1)
INTERIOR TRIM.....	G0.06.31 (1)
INTERNAL CAB LININGS.....	G0.06.32 (1)
INTERNAL CAB LININGS.....	G0.06.33 (1)
<b>EXTERIOR TRIM - ROOF</b>	
DRIVER'S CAB ROOF.....	G0.07.1 (1)
DRIVER'S CAB ROOF.....	G0.07.2 (1)
DRIVER'S CAB ROOF.....	G0.07.3 (1)
GUARDS.....	G0.07.4 (1)
GUARDS.....	G0.07.5 (1)
ROOF LATERAL GRILLE.....	G0.07.7 (1)
REAR ROOF PANEL.....	G0.07.8 (1)
ROOF LATERAL GRILLE.....	G0.07.9 (1)
CAB AIR FILTER.....	G0.07.11 (1)
CAB AIR FILTER.....	G0.07.12 (1)
CAB AIR FILTER.....	G0.07.13 (1)
CARBON FILTER.....	G0.07.14 (1)
CARBON FILTER.....	G0.07.15 (1)
FLASHING LIGHT SUPPORT.....	G0.07.16 (1)
PREARRANGEMENT FOR WARNING BEACON.....	G0.07.17 (1)
PREARRANGEMENT FOR WARNING BEACON.....	G0.07.18 (1)
REARVIEW MIRROR DX/RH/RE.....	G0.07.19 (1)
REARVIEW MIRROR - FIXINGS.....	G0.07.20 (1)
REARVIEW MIRROR.....	G0.07.21 (1)
REARVIEW MIRROR.....	0.011.4199.4/20.A
REARVIEW MIRROR.....	0.011.4205.4/20.A
REARVIEW MIRROR.....	0.9234.147.4/10.A
<b>SEATS</b>	
SEAT SUPPORT PLATE.....	G0.08.0 (1)
DRIVER'S SEAT - WITH MECHANICAL SUSPENSION COBO-MT SC74/M200 PVC.....	G0.08.1 (1)

HOOD SUPPORT

Fig.	Code	QTY	Name
------	------	-----	------

Notes:  
 [Agroplus S 90 (20") -> 8001]

1	0.013.9902.0	1	bracket
2	0.010.0849.0	1	ring nut
3	2.4019.616.2/10	1	spring
4	0.009.7867.0	1	bottom
5	0.010.1382.0	1	pin
6	0.009.6801.0/10	2	block
7	0.014.5974.3	1	support
8	2.0020.206.2	2	screw m 8 p.1.25 x 25
9	2.1470.004.2	2	washer 8
10	2.1011.105.2	2	nut m 8 p.1.25



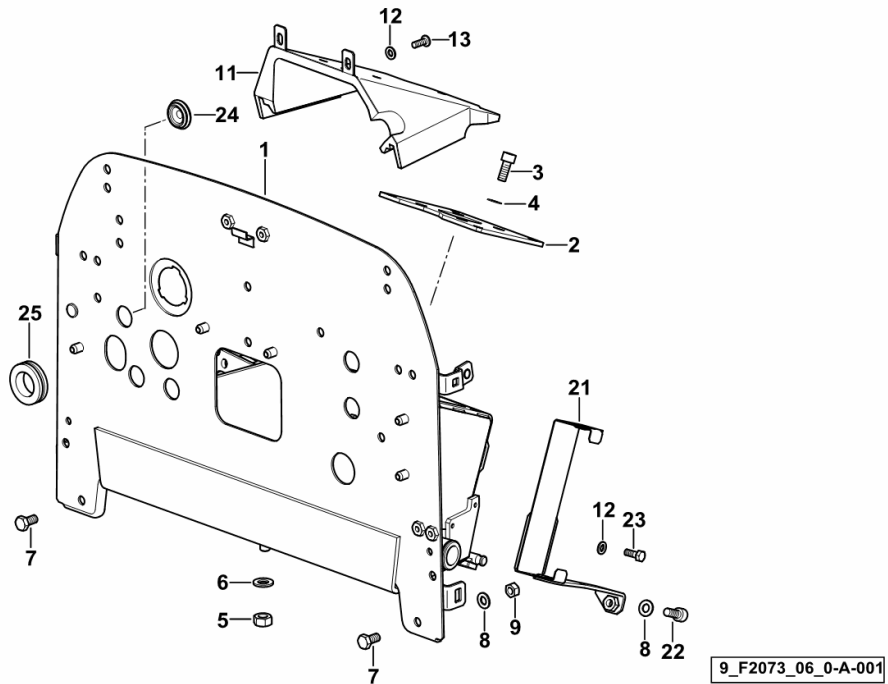
9\_F2072\_20\_0-A-001

PEDAL SUPPORT

Fig.	Code	QTY	Name
------	------	-----	------

Notes:  
 [Agroplus S 90 (20") -> 8001]

1	0.014.5350.3/30	1	support ( -> 8006 )
2	0.010.1236.0	1	support
3	2.0313.206.2	4	screw
4	2.1470.004.2	4	washer 8
5	2.1011.421.2	3	nut m 10 p.1.25
6	2.1475.003.2	3	washer 10
7	2.0112.205.2	2	screw m 8 p.1.25 x 16
8	2.1310.004.2	3	flat washer 8.5
9	2.1011.105.2	2	nut m 8 p.1.25
11	0.014.5438.3/20	1	shield
12	2.1310.002.2	4	washer 6.6, d125
13	2.0332.406.6	2	screw m 6 p.1.0 x 16
21	0.014.5954.3/10	1	support
22	2.0312.206.2	1	screw m 8 p 1.25 x 20
23	2.0112.005.2	2	screw m 6 p.1 x 16
24	0.010.1453.0	1	plug 22 ( -> 8006 )
25	2.6560.023.0	1	wire guide 28x46x12



9\_F2073\_06\_0-A-001

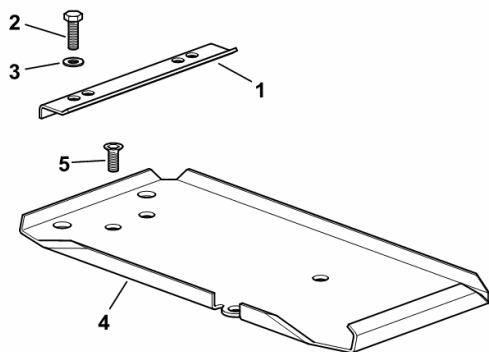
**BATTERY SUPPORT**

Fig.	Code	QTY	Name
------	------	-----	------

**Notes:**

[Agroplus S 90 (20") -> 8001] 8026 <-

1	0.011.1214.0/20	1	small plate
2	2.0112.213.2	2	screw m 8 p.1.25 x 35
3	2.1310.004.2	2	flat washer 8.5
4	0.010.8251.3/10	1	battery support
5	2.0342.303.6	3	screw m 8 p. 1.25x16



9\_70573\_00\_0-A-001

Agroplus S 90 (20") -> 8001

Section: G0 - BODYWORK - CAB

Ref.: G0.02.47 (1)

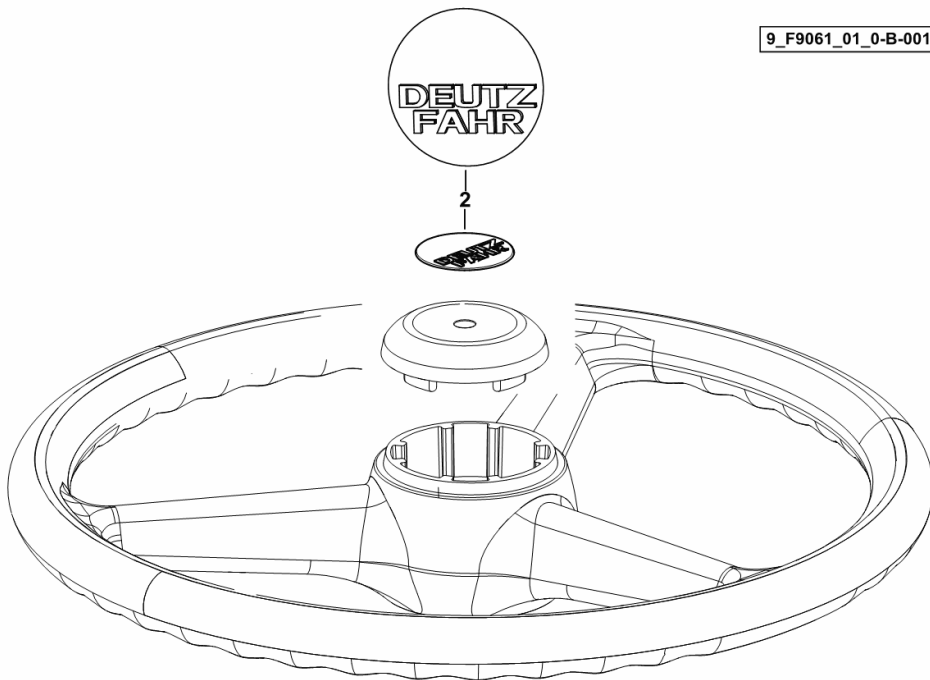
**STEERING WHEEL PRODUCT IDENTIFICATION PLATE**

Fig.	Code	QTY	Name
------	------	-----	------

**Notes:**

[Agroplus S 90 (20") -> 8001]

2	0.013.8054.0	1	plate DEUTZ-FAHR
---	--------------	---	------------------



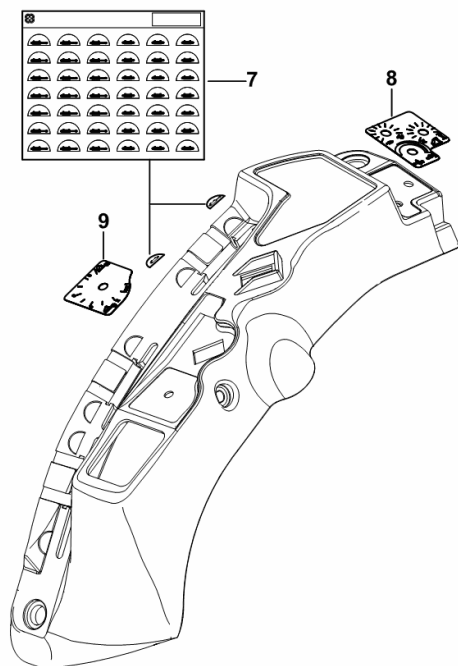
**RH CONSOLE IDENTIFICATION PLATES**

Fig.	Code	QTY	Name
------	------	-----	------

**Notes:**

- FOR TYPES WITH ELECTRONIC REAR LIFT [Agroplus S 90 (20") -> 8001] 8007 <-

7	0.010.7141.0/10	0.51	plate
8	0.011.2905.0	1	plate
9	0.011.2907.0/10	1	plate



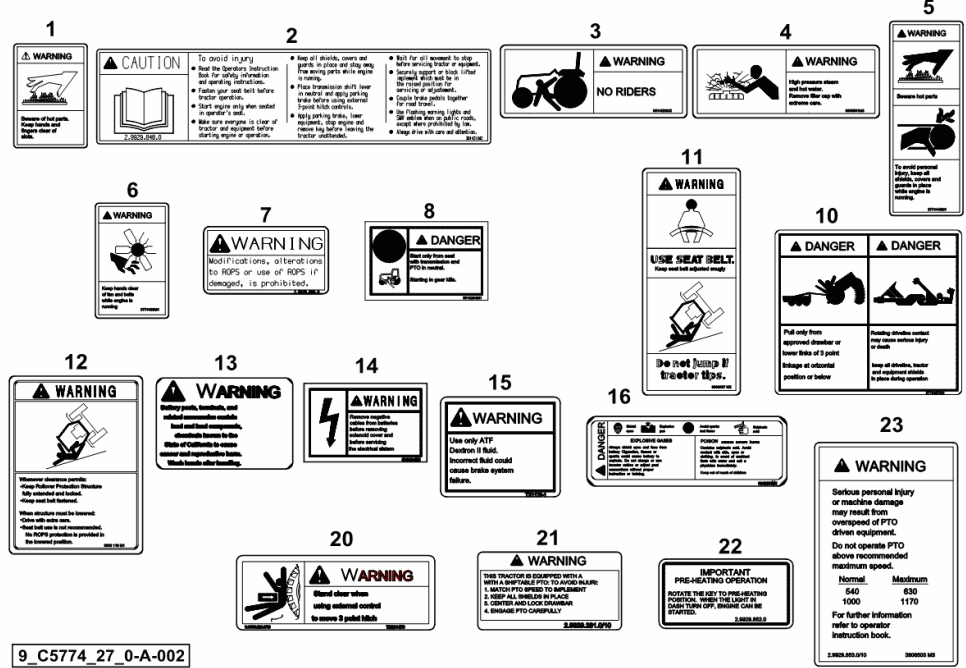
9\_70659\_54\_0-C-001

Section: G0 - BODYWORK - CAB  
**PLATES**

Fig.	Code	QTY	Name
------	------	-----	------

Notes:  
 - EXPORT U.S.A. [Agroplus S 90 (20") -> 8001]

1	2.9929.847.0	1	plate
2	2.9929.848.0/10	1	plate
3	2.9929.793.0	1	plate
4	2.9929.792.0	1	plate
5	2.9929.791.0	2	LIQUID TANK
6	2.9929.794.0	2	plate
7	2.9929.699.0/10	2	plate
8	2.9929.854.0	1	plate
			- STARTER MOTOR
10	2.9929.856.0	1	plate
			P.T.O. / 3-POINT LINKAGE
11	2.9929.857.0	1	plate
			SEAT BELTS
12	2.9929.858.0	1	plate
			SEAT BELTS
13	2.9929.754.0	1	plate
			BATTERY
14	2.9929.860.0	1	plate
15	2.9929.861.0	1	plate
			BRAKE FLUID LEVEL
16	2.9929.862.0	1	plate
			BATTERY
20	2.9929.282.0/20	1	plate
			REAR LIFT
21	2.9929.281.0/10	1	plate
			P.T.O. COUPLING
22	2.9929.852.0/10	1	plate
			PREHEATING
23	2.9929.853.0/10	1	plate



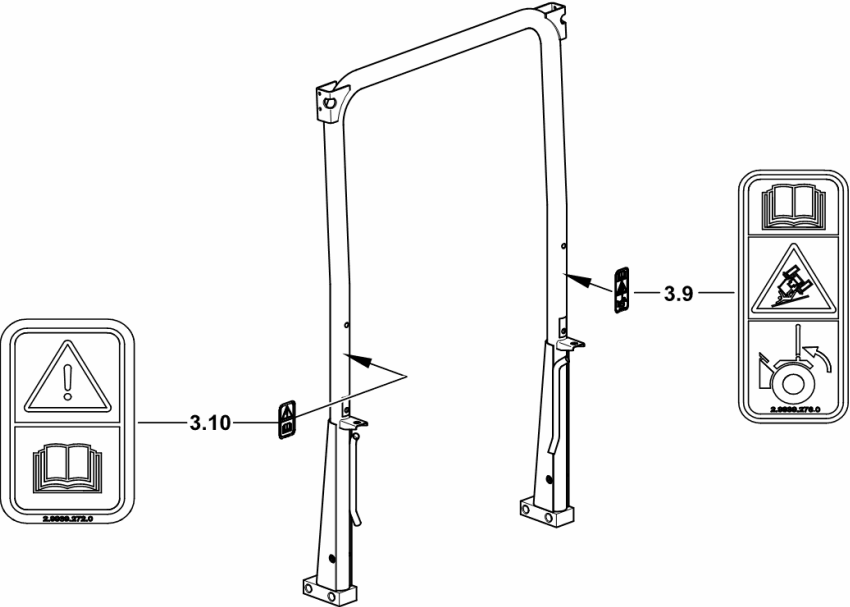
9\_C5774\_27\_0-A-002

**WARNING PLATES**

Fig.	Code	QTY	Name
------	------	-----	------

Notes:  
 [Agroplus S 90 (20") -> 8001]

3.9	2.9939.276.0	1	plate
3.10	2.9939.272.0	1	plate



9\_B6178\_10\_0-B-001

**PTO DATA PLATE 540-750-1000**

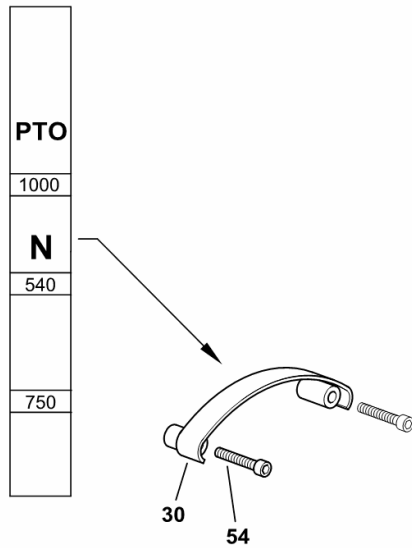
Fig.	Code	QTY	Name
------	------	-----	------

**Notes:**

[Agroplus S 90 (20") -> 8001]

30	0.013.7780.3/10	1	sector
54	2.0332.309.6	2	screw m 5 x 30

9\_B6136\_12\_0-B-001

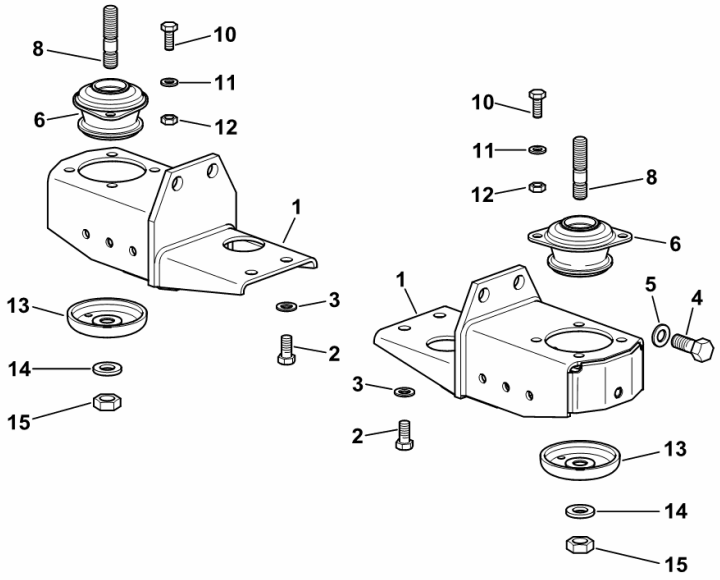


**SILENTBLOCK AND SUPPORTS**

Fig.	Code	QTY	Name
------	------	-----	------

Notes:  
[Agroplus S 90 (20") -> 8001]

1	0.014.3800.3	2	support
2	2.0112.409.2	4	screw m 12 p.1.75 x 25
3	2.1475.004.7	4	washer 13 x 24
4	2.0112.615.2	4	screw m 16 p.2 x 40
5	2.1475.006.2	4	washer 16
6	0.007.5246.0	2	silent-block
8	2.0439.079.7	2	stud bolt m 16 p.1.5 x 87
10	2.0112.309.2	8	screw m 10 p.1.5 x 25
11	2.1310.006.2	8	flat washer 10.5
12	2.1011.106.2	8	nut m 10 p.1.5
13	0.010.5208.2	2	plate
14	2.1310.010.2	2	flat washer 16
15	2.1011.309.2	2	nut m 16 p.1.5



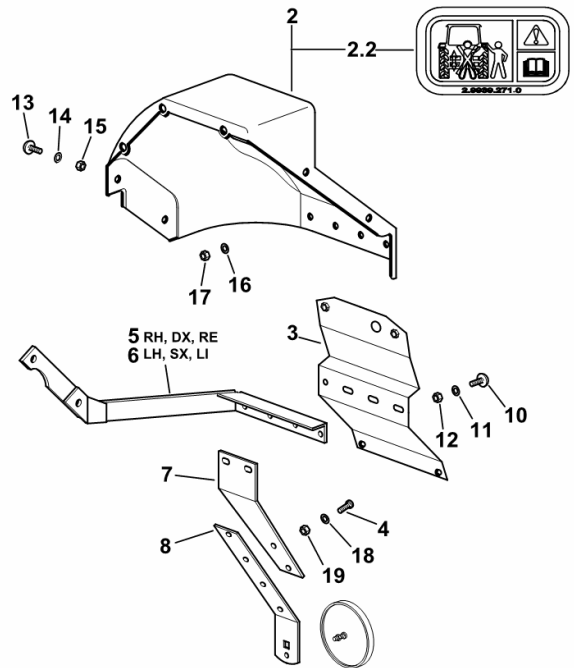
9\_F2076\_05\_0-A-001

**LH SPRAY GUARD AND SUPPORTS FOR LH-RH SPRAY GUARDS**

Fig.	Code	QTY	Name
------	------	-----	------

Notes:  
[Agroplus S 90 (20") -> 8001]

2	0.015.9652.4	1	splash-guards sx/lh/li
2.2	2.9939.271.0	1	plate
3	0.467.7654.2/20	1	support
4	2.0332.405.2	4	screw m 6 x 14
5	0.010.9423.2	1	brace dx/rh/re
6	0.010.9424.2	1	brace sx/lh/li
7	0.470.7680.0	2	support
8	0.470.7681.0	2	small plate
10	2.0099.014.0/20	8	screw m 6 x 25
11	2.1470.002.2	8	washer 6, d128
12	2.1011.103.2	8	nut m 6 p.1
13	2.0099.014.0/20	12	screw m 6 x 25
14	2.1470.002.2	12	washer 6, d128
15	2.1011.103.2	8	nut m 6 p.1
16	2.1470.002.2	4	washer 6, d128
17	2.1011.103.2	4	nut m 6 p.1
18	2.1470.002.2	4	washer 6, d128
19	2.1011.103.2	4	nut m 6 p.1



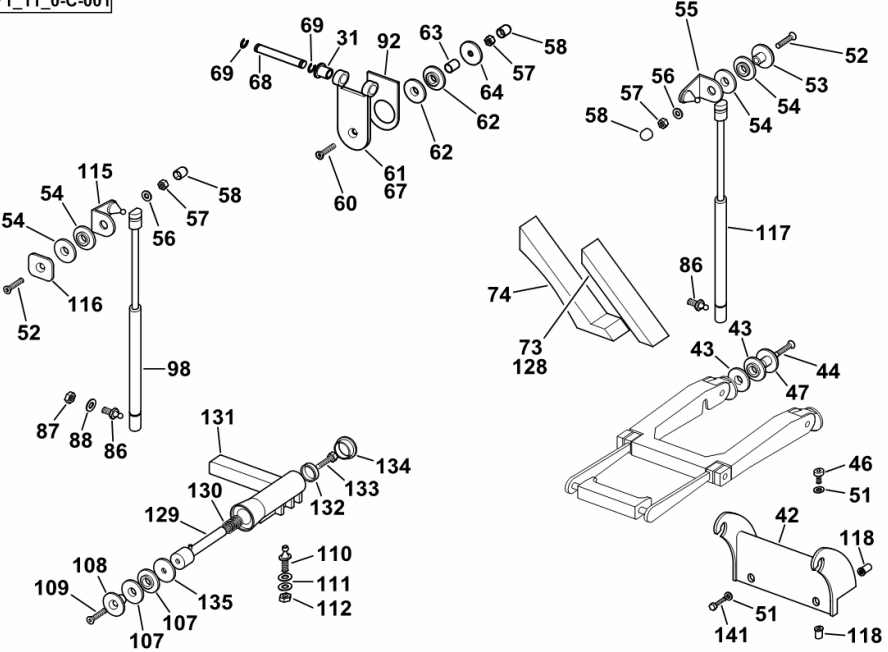
9\_69176\_02\_0-A-001

**SHOCK ABSORBERS**

Fig.	Code	QTY	Name
------	------	-----	------

Notes:  
[Agroplus S 90 (20") -> 8001]

9\_21071\_11\_0-C-001




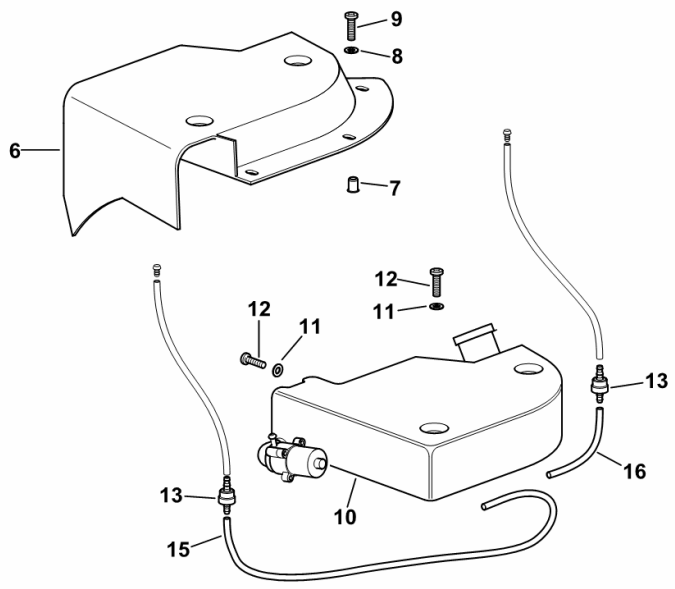
31	2.1559.147.0	16	bushing 10 x 28 x 18
42	0.011.9268.0	1	small block
43	0.009.0422.0	4	gasket
44	2.0349.002.3	2	screw m 8 p.1.25 x 30
46	2.0332.406.2	2	screw m 6 p.1.0 x 16
47	2.1499.093.0/10	6	washer 8.5
51	2.1310.002.3	2	flat washer 6.4 x 12 x 1.6
52	2.0349.002.3	6	screw m 8 p.1.25 x 30
53	2.1499.093.0/10	4	washer 8.5
54	0.009.0422.0	12	gasket
55	0.007.6188.2	3	bracket
56	2.1310.004.2	6	flat washer 8.5
57	2.1011.105.2	10	nut m 8 p.1.25
58	0.163.7856.0	10	cap
60	2.0349.002.3	4	screw m 8 p.1.25 x 30
61	0.012.5716.2/10	1	hinge sx/lh/li
62	0.009.0422.0	8	gasket
63	2.1579.450.2	4	spacer 8.5 x 14 x 12
64	2.1599.495.2	4	washer 8.5
67	0.012.5717.2/10	1	hinge dx/rh/re
68	2.1699.428.2	4	pin 9.6 x 71.5
69	2.1410.001.1	8	circlip 10
73	0.010.7102.0/10	1	stop
74	0.010.7103.0/10	1	stop
86	04399070	4	ball joint
87	2.1011.105.2	2	nut m 8 p.1.25
88	2.1310.004.2	2	flat washer 8.5
92	0.012.5731.0/10	4	gasket
98	0.012.2518.0	2	shoch.absorber
107	0.009.0422.0	2	gasket
108	2.1499.093.0/10	1	washer 8.5
109	2.0349.002.3	1	screw m 8 p.1.25 x 30
110	0.011.6004.0	1	pin
111	2.1310.004.2	2	flat washer 8.5
112	2.1011.105.2	1	nut m 8 p.1.25
115	0.010.7458.0/10	2	bracket
116	2.1499.093.0/10	2	washer 8.5
117	0.009.8629.2	2	shoch.absorber mm 405.5
118	2.1140.018.2	4	nut m 6 p.1, d934
128	0.011.5282.0	1	stop
129	0.011.5986.4	1	pin

Section: G0 - BODYWORK - CAB  
**SCREEN WASH RESERVOIR**

Fig.	Code	QTY	Name
------	------	-----	------

Notes:  
 [Agroplus S 90 (20") -> 8001]

6	0.012.6156.0	1	console
7	2.1142.010.2	4	insert m 6
8	2.1310.002.3	4	flat washer 6.4 x 12 x 1.6
9	2.0332.405.3	3	screw m 6 p.1 x 14
10	0.010.8467.2	1	cup  0.010.8467.2
11	2.1310.002.3	3	flat washer 6.4 x 12 x 1.6
12	2.0332.405.3	3	screw m 6 p.1 x 14
13	0.9231.559.0	2	pipe fitting
15	0.011.3963.0	2.2	tube
16	0.011.3963.0	0.12	tube



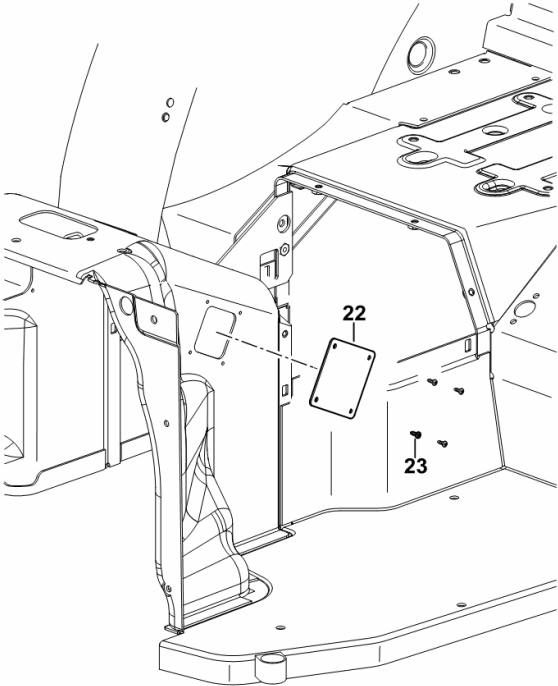
9\_E0171\_25\_0-B-001

**COVER**

Fig.	Code	QTY	Name
------	------	-----	------

Notes:  
 [Agroplus S 90 (20") -> 8001]

22	0.014.4870.0/10	1	cover
23	2.0350.454.3	4	screw m 4.2 x 13 -AB-



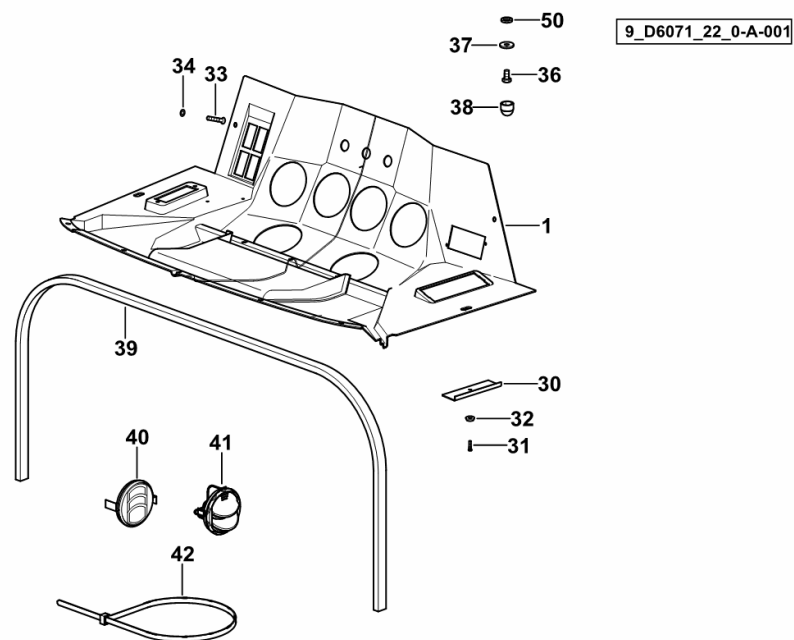
9\_F2063\_00\_0-C-001

**INTERNAL CAB LININGS**

Fig.	Code	QTY	Name
------	------	-----	------

**Notes:**

[Agroplus S 90 (20") -> 8001]



1	0.014.0459.3	1	front grille
30	0.010.5114.0/10	2	bracket
31	2.0350.455.3	7	screw m 4.2
32	2.1599.573.0	10	washer 5.4
33	2.0332.405.3	2	screw m 6 p.1 x 14
34	2.1310.002.3	2	flat washer 6.4 x 12 x 1.6
36	2.0112.205.2	4	screw m 8 p.1.25 x 16
37	2.1579.837.2	4	spacer 8 x 25 x 3
38	0.163.7856.0	4	cap
39	0.009.8226.0/30	1	gasket L = mm 2500
40	0.009.8654.2	4	tongue mm 82.8
41	0.011.4330.2/10	2	tongue mm 68
42	2.6852.203.0	2	clamp 292 x 4.8
50	2.1499.185.2/10	3	washer 12 x 20 x 3

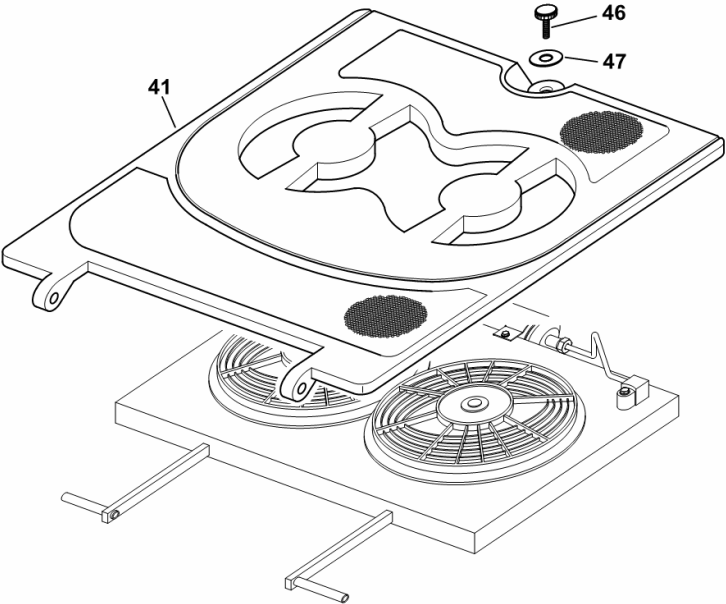
**GUARDS**

Fig.	Code	QTY	Name
------	------	-----	------

**Notes:**  
 - FOR TYPES WITH HEATING AND AIR CONDITIONING [Agroplus S 90 (20") -> 8001] -> 8013

41	0.015.9899.3	1	cover
46	0.012.5904.2	1	knob
47	2.1599.525.2	1	washer 6.1 x 25 x 2.0

9\_F1871\_65\_0-L-001



**PREARRANGEMENT FOR WARNING BEACON**

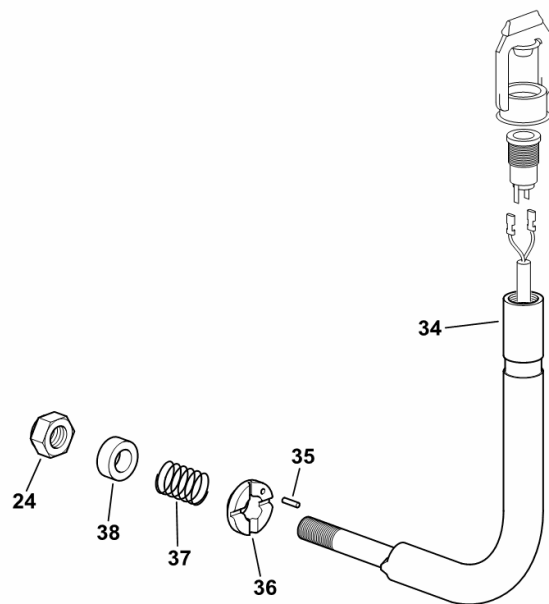
Fig.	Code	QTY	Name
------	------	-----	------

**Notes:**

- FOR TRACTORS WITH AIR HEATING [Agroplus S 90 (20") -> 8001]

24	2.1120.008.2	1	selflock nut m 14 p.1.75
34	0.012.1622.2	1	support
35	2.1631.205.2	1	pin 3x12
36	0.012.1627.0	1	bushing
37	2.4019.664.2	1	spring
38	2.1549.512.2	1	spacer 14.2 x 24.8 x 10

9\_F1871\_60\_0-I-001



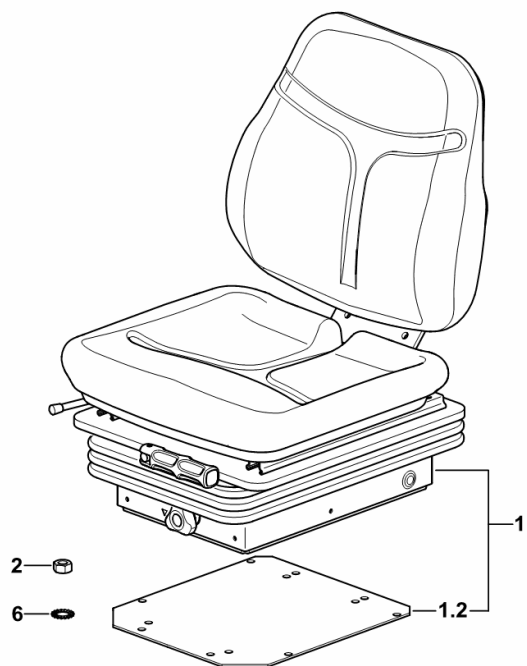
**DRIVER'S SEAT - WITH MECHANICAL SUSPENSION**

Fig.	Code	QTY	Name
------	------	-----	------

**Notes:**

- IN FABRIC [Agroplus S 90 (20") -> 8001]

1	0.014.7067.4/30	1	seat
1.2	0.012.6131.0/10	1	plate
2	2.1011.105.2	4	nut m 8 p.1.25
6	2.1470.004.2	4	washer 8



9\_F2075\_01\_0-A-001

**CONDENSER**

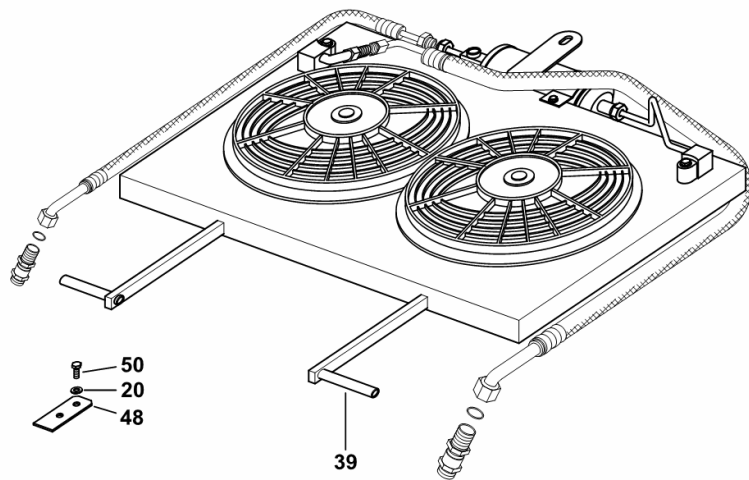
Fig.	Code	QTY	Name
------	------	-----	------

**Notes:**

- FOR TYPES WITH HEATING AND AIR CONDITIONING [Agroplus S 90 (20") -> 8001] -> 8013

20	2.1312.003.2	10	washer 6
39	0.012.1568.4/30	1	condenser
48	0.012.2491.0/10	2	small plate
50	2.0112.005.2	4	screw m 6 p.1 x 16

9\_F1871\_65\_0-M-001



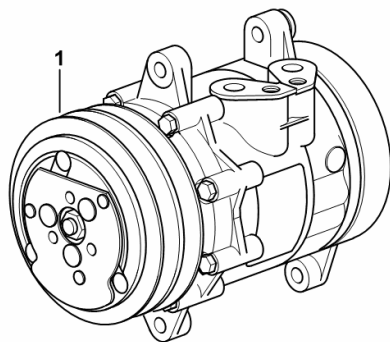
**COMPRESSOR**

Fig.	Code	QTY	Name
------	------	-----	------

**Notes:**

[Agroplus S 90 (20") -> 8001]

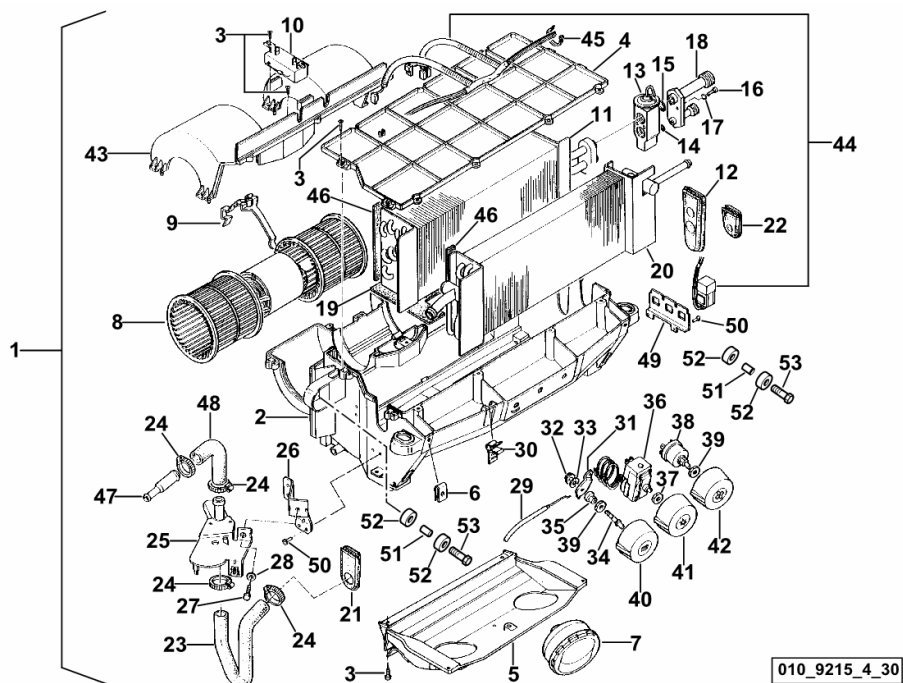
1	0.007.7197.4	1	gear compressor R 134a ☞ 0.007.7197.4
---	--------------	---	--



9\_70586\_23\_0-A-001

**AIR-CONDITIONING HEATING PARTS**

Fig.	Code	QTY	Name
45	0.010.2544.0	2	clamp
46	0.010.2131.0	2	gasket
47	0.010.2147.1	1	pipe fitting
48	0.900.0060.7	1	sleeve
49	0.010.2125.2	1	bracket
50	0.010.2126.0	6	rivet 4x7
51	0.98538.71.1	4	spacer
52	0.009.9536.4	8	rubber plug
53	0.000.0000.1	0	not serviceable



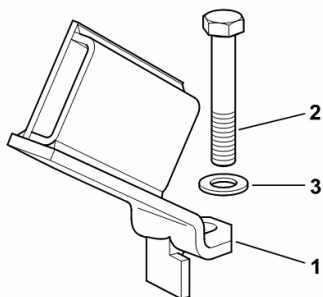
**HANDBRAKE BRACKET FOR TRAILER**

Fig.	Code	QTY	Name
------	------	-----	------

**Notes:**

- FOR TYPES WITH CAB - ITALY [Agroplus S 90 (20") -> 8001]

1	0.011.3157.2	1	bracket
2	2.0112.423.2	1	screw m 12 p.1.75 x 70
3	2.1475.004.2	1	washer 12



9\_70644\_20\_0-A-001

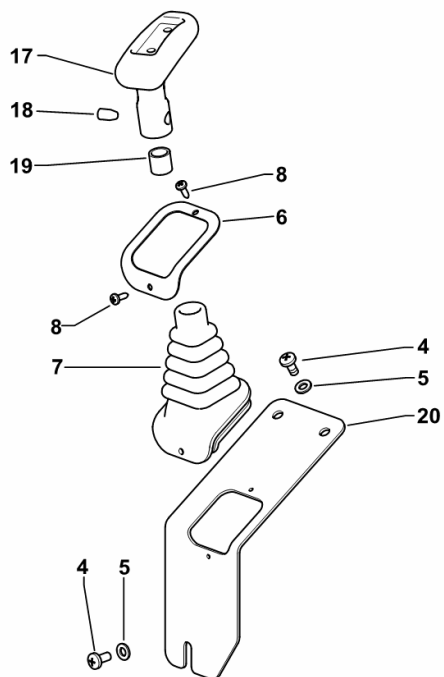
**REDUCTION GEAR CONTROL**

Fig.	Code	QTY	Name
------	------	-----	------

**Notes:**

[Agroplus S 90 (20") -> 8001]

4	2.0332.405.3	3	screw m 6 p.1 x 14
5	2.1310.002.3	3	flat washer 6.4 x 12 x 1.6
6	0.010.5268.0	1	lamination
7	0.010.5306.0	1	boot
8	2.0350.454.3	2	screw m 4.2 x 13 -AB-
17	0.010.5232.2/20	1	grip
18	2.0599.084.1/10	1	screw m 8 p.1x14.5
19	2.1579.227.0	1	spacer
20	0.010.5273.0/30	1	guard

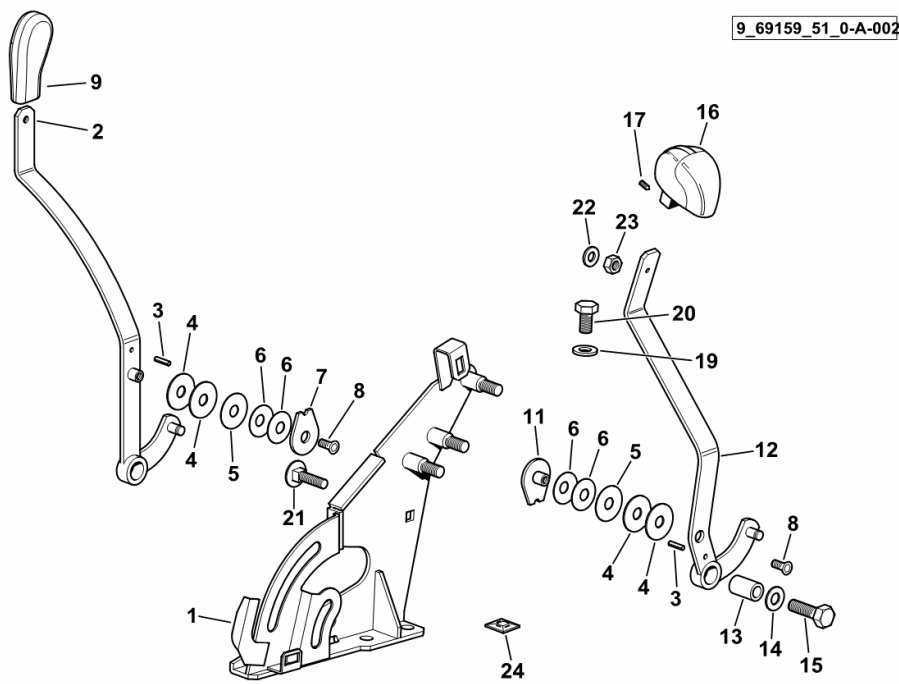


9\_F2064\_01\_0-A-001

**LIFT CONTROL LEVERS**

Fig.	Code	QTY	Name
------	------	-----	------

**Notes:**  
 [Agroplus S 90 (20") -> 8001] -> 8013



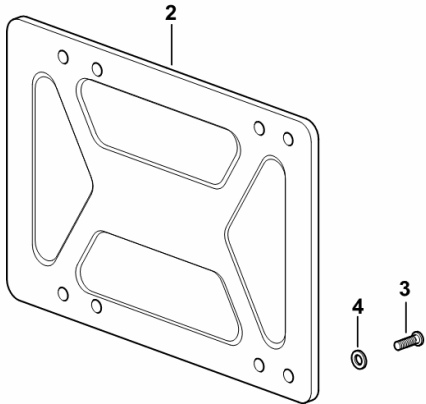
1	0.010.7161.3/30	1	support
2	0.010.7486.3/30	1	lever
3	2.1632.406.2	2	pin 4 x 14
4	0.010.4163.0	4	ring
5	2.1599.777.2	2	washer 31.5
6	2.4099.108.7	4	spring 10.2 x 28 x 0.8
7	0.010.4212.0	1	small plate
8	2.0399.239.6	2	screw m 6 x 12
9	0.015.9963.0	1	knob - YELLOW COLOUR
11	0.010.6943.3	1	friction ring
12	0.010.7488.3/50	1	lever
13	2.1549.416.0	1	spacer
14	2.1310.006.2	1	flat washer 10.5
15	2.0112.313.2	1	screw m 10 p.1.5 x 35
16	0.010.4168.0/20	1	grip - GREEN COLOUR
17	2.0532.104.7	1	grain m 6 p.1 x 12
19	2.1310.006.2	2	flat washer 10.5
20	2.0112.305.2	2	screw m 10 p.1.5 x 16
21	2.0020.203.2	1	screw m 8 x 16
22	2.1310.004.2	1	flat washer 8.5
23	2.1011.105.2	1	nut m 8 p.1.25
24	0.012.6105.0	1	stop

LICENCE PLATE HOLDER

Fig.	Code	QTY	Name
------	------	-----	------

Notes:  
 [Agroplus S 90 (20") -> 8001]

2	0.467.7696.3	1	plate holder
3	2.0332.304.2	4	screw m 5 p.0.8 x 12
4	2.1310.001.2	4	flat washer 5.3



9\_49076\_60\_0-A-001

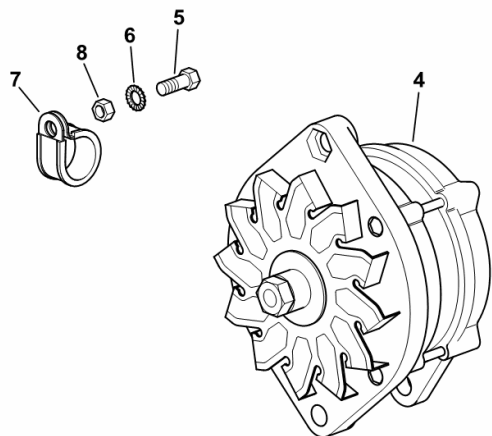
**ALTERNATOR 14V - 65A - ISKRA**

Fig.	Code	QTY	Name
------	------	-----	------

**Notes:**

- FOR TRACTORS WITHOUT AIR CONDITIONING [Agroplus S 90 (20") -> 8001]

4	2.9439.420.0/10	1	alternator 14V - 65A - ISKRA ☞ 2.9439.420.0/10
5	2.0112.005.2	1	screw m 6 p.1 x 16
6	2.1472.003.2	1	washer 6, d128
7	2.6839.053.0	1	clamp Ø 17/15
8	2.1011.103.2	1	nut m 6 p.1



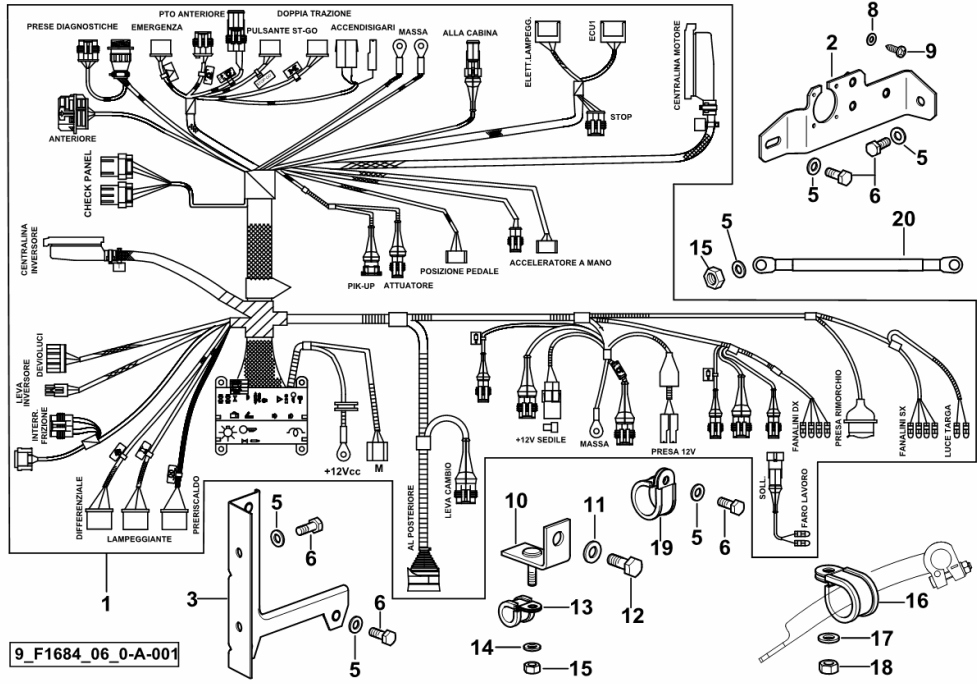
9\_64884\_07\_0-A-001

Section: L0 - ELECTRIC AL SYSTEM  
**CENTRAL WIRING LOOM**

Fig.	Code	QTY	Name
------	------	-----	------

**Notes:**  
 - FOR MODELS WITH ELECTRONIC ENGINE GOVERNOR [Agroplus S 90 (20") -> 8001] -> 8010

1	0.015.3149.4/20	1	electrical system ☞ 0.015.3149.4/20
2	0.014.5407.3/10	1	bracket
3	0.011.6212.3	1	bracket
5	2.1310.002.2	12	washer 6.6, d125
6	2.0112.005.2	11	screw m 6 p.1 x 16
8	2.1310.028.2	4	flat washer 4
9	2.0350.454.3	4	screw m 4.2 x 13 -AB-square
10	0.010.1395.2	1	flat washer 8.5
11	2.1310.004.2	1	screw m 8 p.1.25 x 16
12	2.0112.205.2	1	clamp Ø 12 / 15
13	2.6839.059.0	1	washer 6.6, d125
14	2.1310.002.2	1	nut m 6 p.1
15	2.1011.103.2	2	clamp Ø 20/25
16	2.6839.054.0	1	flat washer 8.5
17	2.1310.004.2	1	nut m 8 p.1.25
18	2.1011.105.2	1	clamp Ø 27
19	2.6839.068.0	1	wire mm 250
20	0.013.8411.4	1	MASS



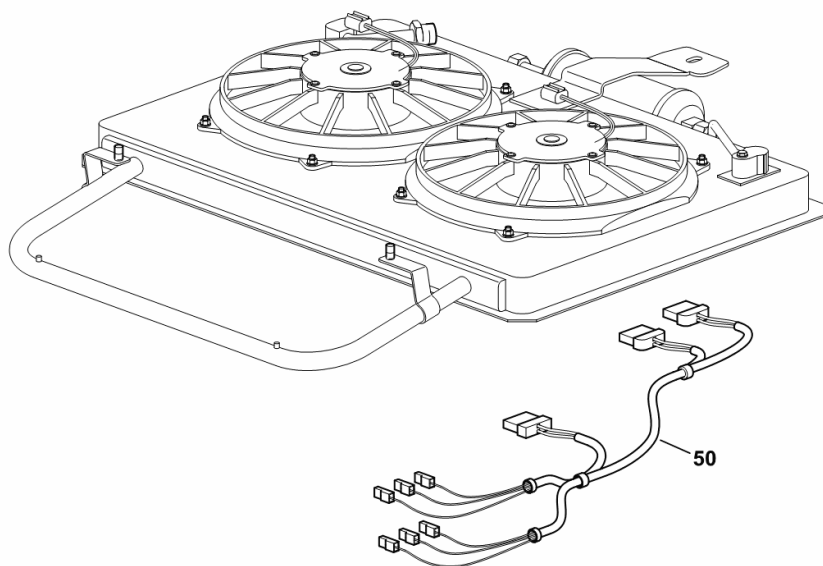
**CONDENSER WIRING**

Fig.	Code	QTY	Name
------	------	-----	------

**Notes:**

- FOR TYPES WITH HEATING AND AIR CONDITIONING [Agroplus S 90 (20") -> 8001] 8012 <-

50	0.011.0644.3/20	1	wire
----	-----------------	---	------



9\_70671\_65\_0-K-001

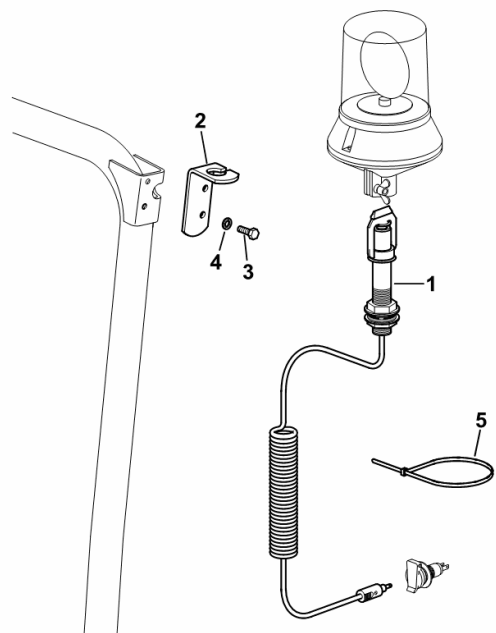
**PREARRANGEMENT FOR WARNING BEACON**

Fig.	Code	QTY	Name
------	------	-----	------

**Notes:**

- FOR TYPES WITH SAFETY FRAME [Agroplus S 90 (20") -> 8001]

1	0.011.7840.4	1	wire ☞ 0.011.7840.4
2	0.012.6564.0/10	1	bracket
3	2.0112.205.2	2	screw m 8 p.1.25 x 16
4	2.1310.004.2	2	flat washer 8.5
5	2.6852.203.0	5	clamp 292 x 4.8



9\_16178\_02\_0-A-001

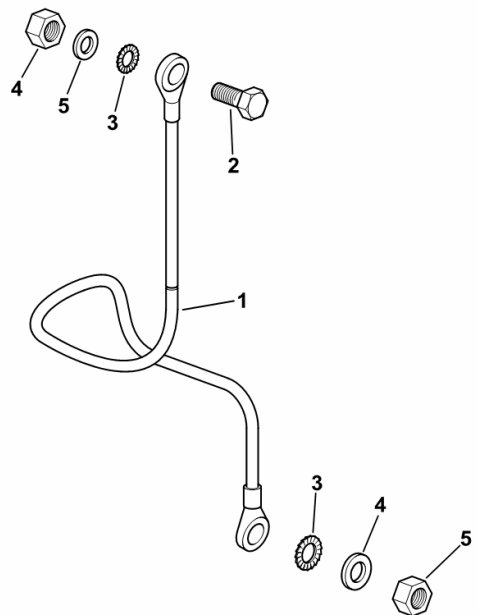
**PLATFORM GROUND CABLE**

Fig.	Code	QTY	Name
------	------	-----	------

**Notes:**

[Agroplus S 90 (20") -> 8001] -> 8002

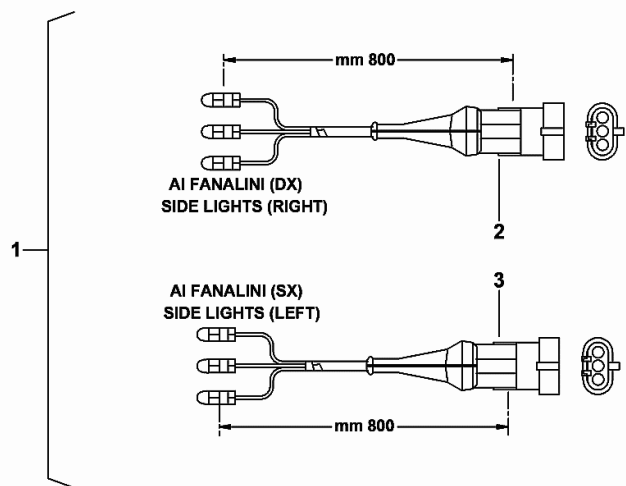
1	0.015.3160.4	1	wire mm 400
2	2.0112.308.2	1	screw m 10 p.1.5x22
3	2.1470.006.2	2	lock washer 10
4	2.1011.106.2	2	nut m 10 p.1.5
5	2.1312.005.2	2	washer 10.2



9\_F1584\_01\_0-A-001

**ELECTRICAL LEADS**

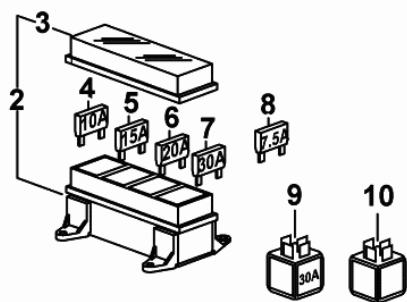
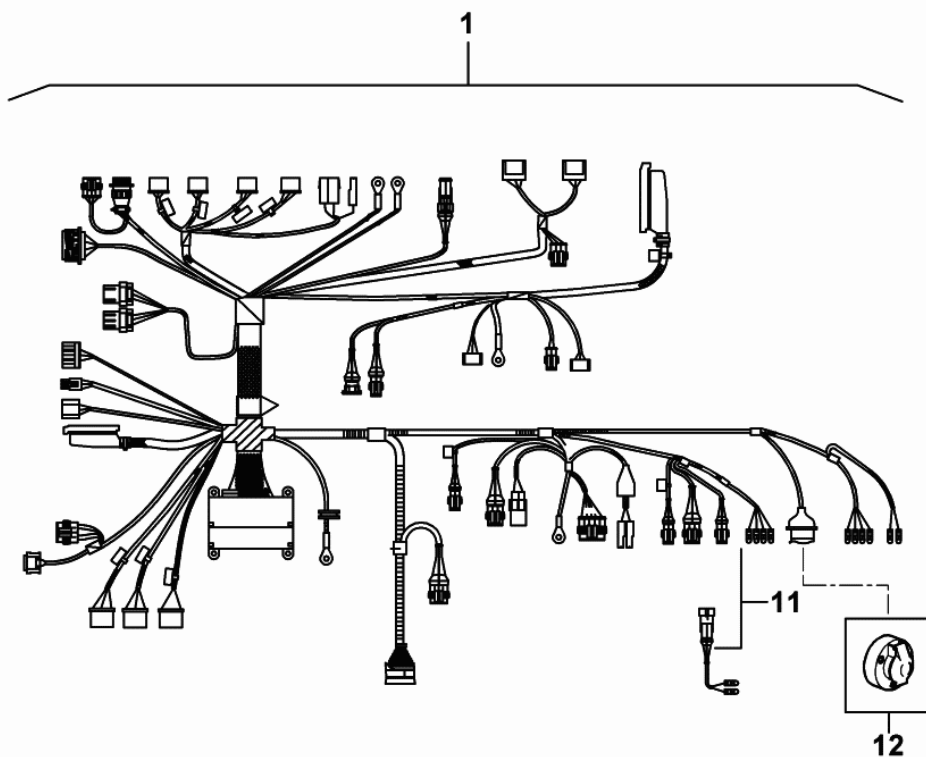
Fig.	Code	QTY	Name
1	0.010.9057.3	1	wire
2	0.900.1155.3	1	wire dx/rh/re
3	0.900.1155.4	1	wire sx/lh/li



0\_010\_9057\_3

**ELECTRICAL SYSTEM**

Fig.	Code	QTY	Name
1	0.014.4780.4/30	1	electrical system
2	0.000.0000.1	0	not serviceable
3	0.900.0522.7	1	small cover
4	0.010.2087.2	6	fuse 10 A unival
5	0.010.2088.0	5	fuse 15 A unival
6	0.010.2088.1	2	fuse 20 A unival
7	0.010.2088.2	2	fuse 30 A unival
8	0.010.2225.2	1	fuse 7.5 A unival
9	0.010.2089.2	2	relay 12V-30A
10	0.900.0523.6	2	small cover
11	0.000.0000.1	0	not serviceable
12	0.900.0017.0	1	socket



0\_014\_4780\_4\_30

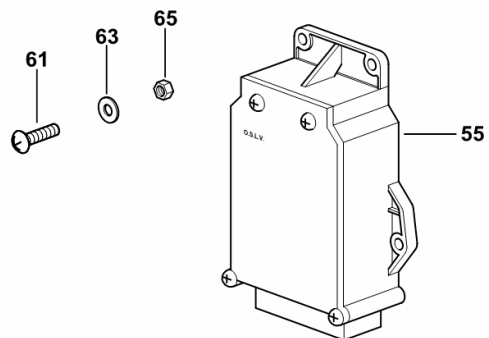
**REAR WINDOW WIPER CONTROL UNIT**

Fig.	Code	QTY	Name
------	------	-----	------

**Notes:**

- EXPORT U.S.A. [Agroplus S 90 (20") -> 8001]

55	0.009.7737.0	1	central device
61	2.0322.205.3	2	screw
63	2.1310.028.2	2	flat washer 4
65	2.1011.101.2	2	nut m 4 p.0.7



9\_F2171\_30\_0-D-001

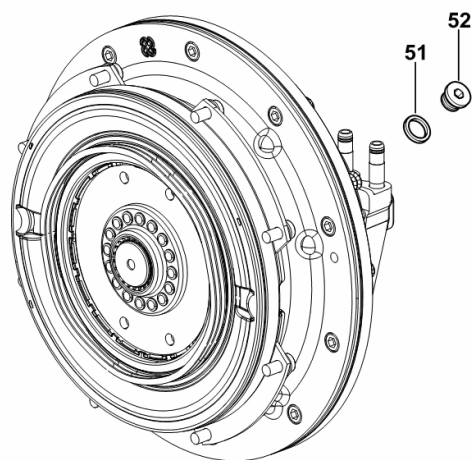
**HYDRAULIC SHUTTLE SENSOR**

Fig.	Code	QTY	Name
------	------	-----	------

**Notes:**

[Agroplus S 90 (20") -> 8001] -> 8027

51	2.1560.014.0	1	gasket 18.2 x 24 x 1.5
52	2.3120.001.4	1	plug m 18 p.1.5



9\_D3232\_00\_0-C-002

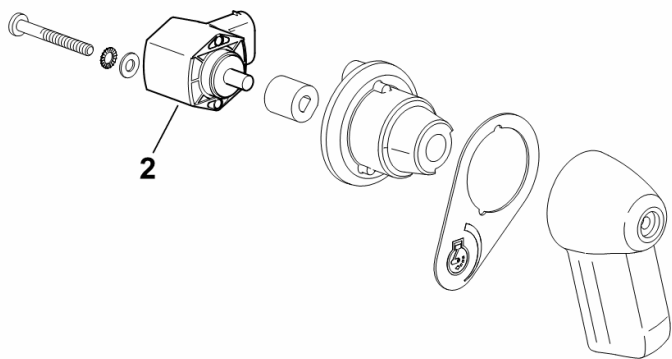
**ELECTRONIC ACCELERATOR CONTROL SENSOR**

Fig.	Code	QTY	Name
------	------	-----	------

**Notes:**

- FOR MODELS WITH ELECTRONIC ENGINE GOVERNOR [Agroplus S 90 (20") -> 8001] -> 8010

2	2.7099.740.0/10	1	sensor
---	-----------------	---	--------



9\_F1667\_16\_0-B-001

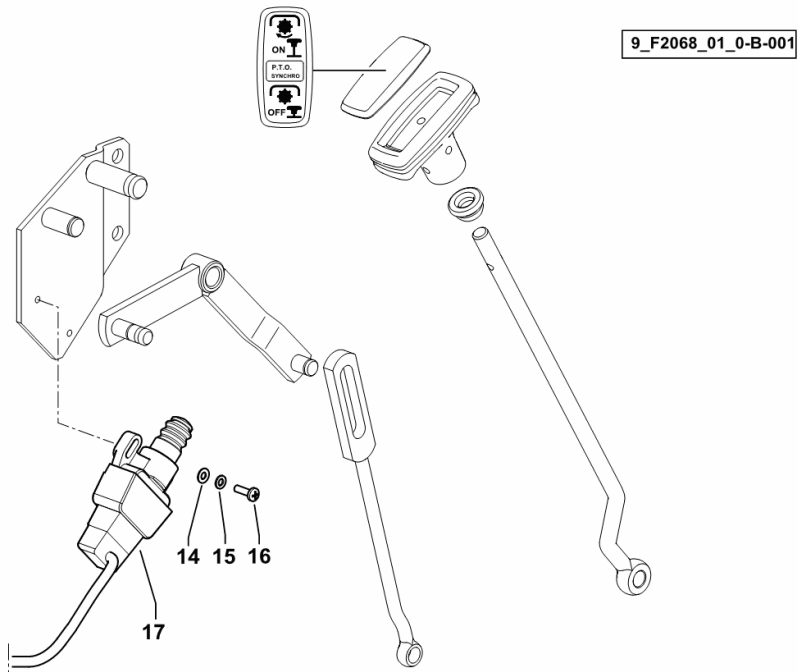
**GROUNDSPEED P.T.O. SWITCH**

Fig.	Code	QTY	Name
------	------	-----	------

**Notes:**

[Agroplus S 90 (20") -> 8001]

14	2.1310.028.2	2	flat washer 4
15	2.1470.052.2	2	lock washer 4
16	2.0332.205.2	2	screw m 4x0.7x14
17	2.7659.096.0/10	1	switch



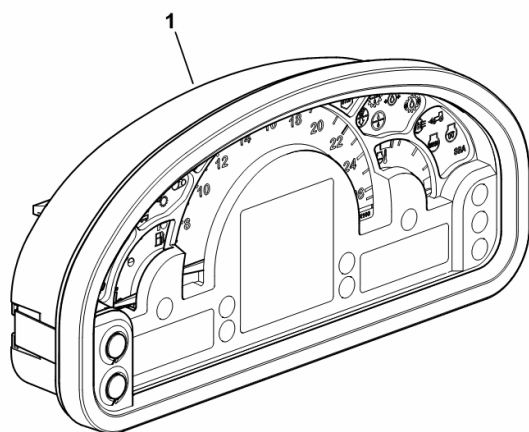
**DIGITAL INSTRUMENT PANEL**

Fig.	Code	QTY	Name
------	------	-----	------

**Notes:**

[Agroplus S 90 (20") -> 8001]

1	2.8339.269.0/30	1	instrument holder
---	-----------------	---	-------------------



9\_F0284\_21\_0-A-001

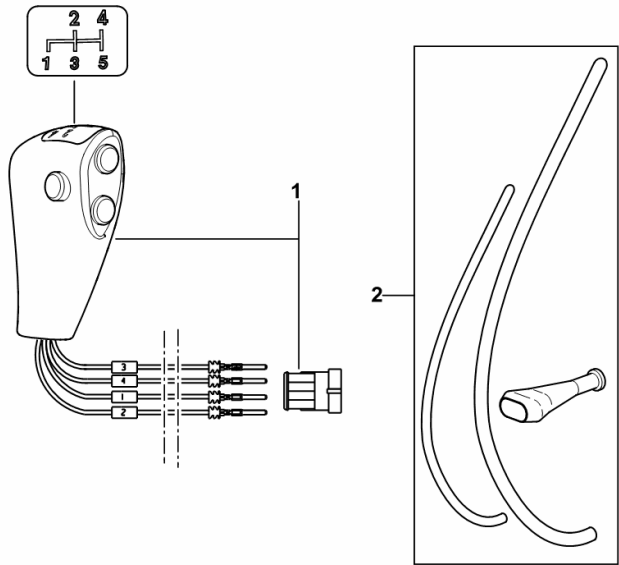
**GEAR SHIFTING**

Fig.	Code	QTY	Name
------	------	-----	------

**Notes:**

- FOR TYPES WITH H-M-L- (POWERSHIFT) [Agroplus S 90 (20") -> 8001]

1	0.014.8997.4	1	knob
2	0.011.6429.3	1	sheath



9\_F2064\_03\_0-B-001

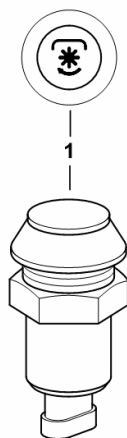
**OPERATION - FRONT P.T.O. SHAFT**

Fig.	Code	QTY	Name
------	------	-----	------

**Notes:**

[Agroplus S 90 (20") -> 8001] -> 8010

1	2.7659.177.0/20	1	push-button P.T.O.
---	-----------------	---	--------------------



9\_F1684\_05\_0-A-001

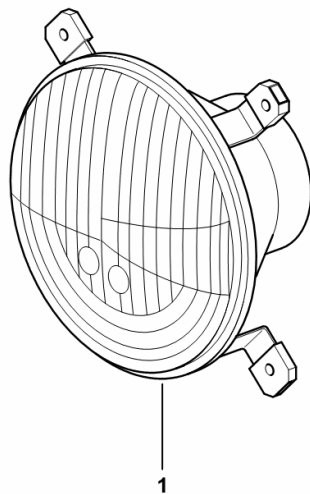
**FRONT LIGHTS - FOR RIGHT-HAND DRIVE**

Fig.	Code	QTY	Name
------	------	-----	------

**Notes:**

[Agroplus S 90 (20") -> 8001]

1	2.8029.820.0/20	2	lamp ☞ 2.8029.820.0/20
---	-----------------	---	---------------------------



9\_68485\_20\_0-A-001

CLICK HERE TO **DOWNLOAD** THE COMPLETE MANUAL

- Thank you very much for reading the preview of the manual.
- You can download the complete manual from: [www.heydownloads.com](http://www.heydownloads.com) by clicking the link below



- Please note: If there is no response to CLICKING the link, please download this PDF first and then click on it.

CLICK HERE TO **DOWNLOAD** THE COMPLETE MANUAL

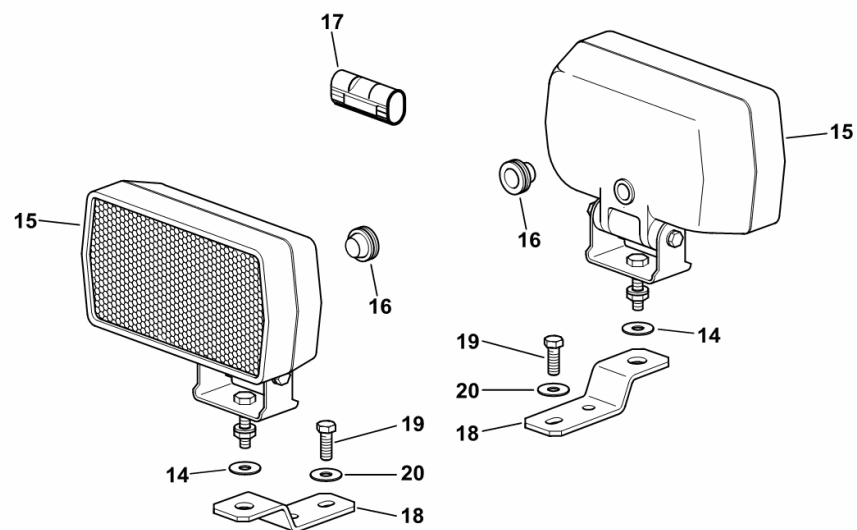
**WORKLIGHTS FOR CAB ROOF**

Fig.	Code	QTY	Name
------	------	-----	------

**Notes:**

- FOR TYPES WITH HEATING AND AIR CONDITIONING [Agroplus S 90 (20") -> 8001] -> 8013

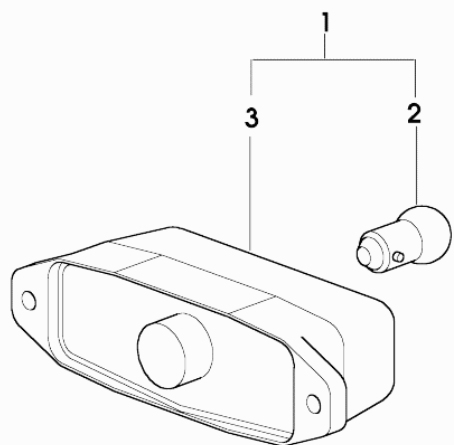
14	2.1312.005.2	2	washer 10.2
15	2.8029.730.0	4	headlight ☞ 2.8029.730.0
16	2.6569.018.0	5	wire guide 20 x 8 x 15
17	2.6039.010.0	4	guard
18	0.012.2460.0	2	bracket
19	2.0112.005.2	4	screw m 6 p.1 x 16
20	2.1312.003.2	10	washer 6



9\_70671\_65\_0-H-001

**HEADLAMP COMPONENTS**

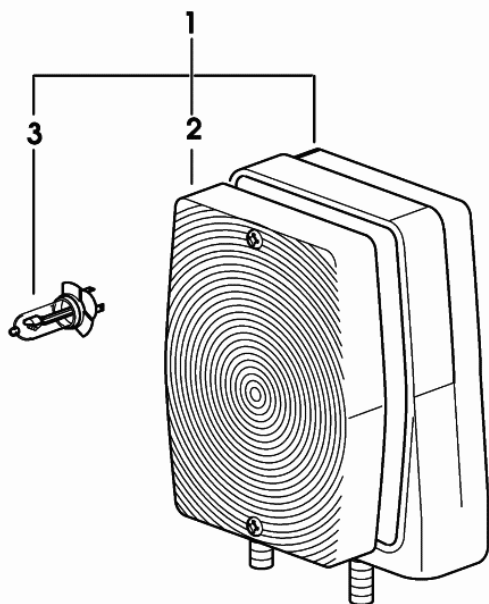
Fig.	Code	QTY	Name
1	2.8029.240.0/10	1	side lamp
2	2.8313.005.0	1	lamp 12 V, 5 W
3	0.000.0000.1	0	not serviceable



2\_8029\_240\_0\_10

**HEADLAMP COMPONENTS**

Fig.	Code	QTY	Name
1	2.8059.490.0	1	side lamp dx/rh/re
2	0.010.3486.2	1	guard
3	0.010.3487.0	1	lamp 12V - 21W



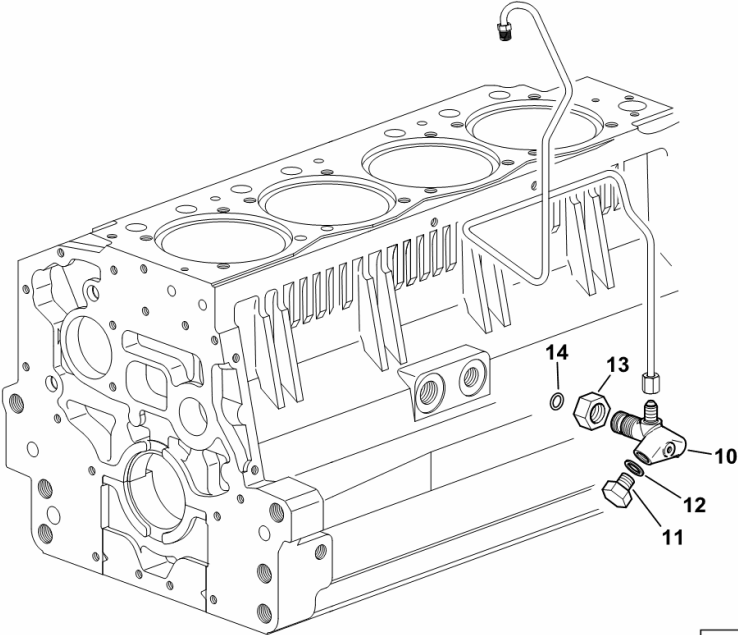
2\_8059\_490\_0

**ENGINE OIL AND TURBO PRESSURE SWITCH UNION**

Fig.	Code	QTY	Name
------	------	-----	------

**Notes:**  
 [Agroplus S 90 (20") -> 8001]

10	2.3339.787.0/10	1	pipe fitting 7/16"
11	2.3110.403.1	1	plug m 14 p.1.5
12	2.1560.010.0	2	gasket 14.2 x 20 x 1.5
13	2.1019.129.2/10	1	nut m 18 p.1.5x12
14	2.1533.038.0	1	'o' ring 15.45x2.62



9\_36615\_01\_0-B-001

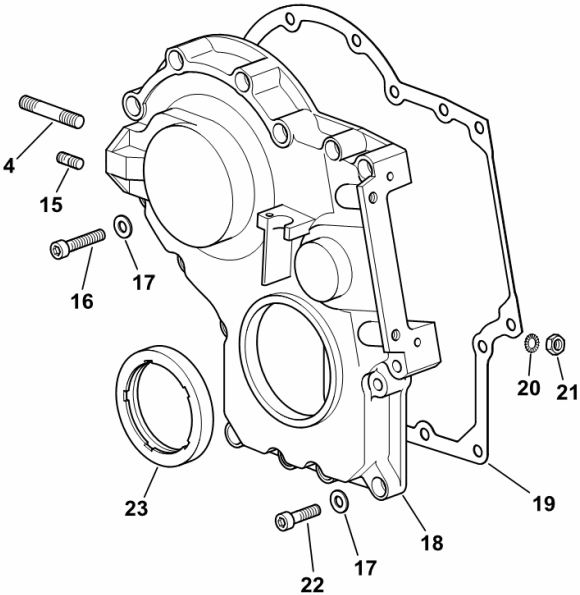
**TIMING CASE**

Fig.	Code	QTY	Name
------	------	-----	------

Notes:  
 - EXPORT U.S.A. [Agroplus S 90 (20") -> 8001]

4	2.0432.009.7	1	stud bolt m 8 p.1.25 / p. 1 x 35
15	2.0432.003.7	1	stud bolt m 8 p.1.25 / p.1 x 20
16	2.0312.214.2	7	screw m 8 p.1.25 x 40
17	2.1480.014.1	15	washer 8
18	0.013.4981.0	1	sump
19	0.065.1150.0/30	1	gasket
20	2.1470.004.2	4	washer 8
21	2.1011.405.2	2	nut m 8 p.1
22	2.0312.208.2	8	screw m 8 p.1.25 x 25
23	2.1529.167.0	1	'o' ring

9\_O1011\_00\_0-B-001

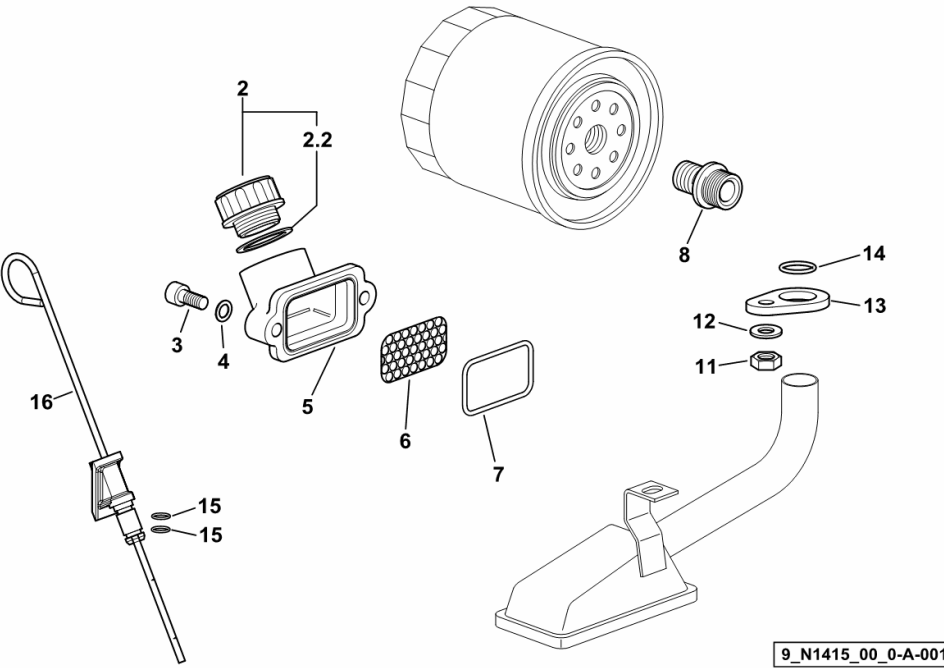


Section: B0 - ENGINE  
**LUBRICATION**

Fig.	Code	QTY	Name
------	------	-----	------

Notes:  
 [Agroplus S 90 (20") -> 8001]

2	0.041.1135.4	1	plug 1" gas
2.2	2.1569.072.0	1	gasket 32 x 39.5 x 2
3	2.0312.205.2	2	screw m 8 p.1.25 x 18
4	2.1480.014.1	2	washer 8
5	0.013.0942.0/10	1	pipe union
6	0.013.1387.0	1	small mesh
7	2.1532.515.0	1	rubber ring 1.78 x 53.70
8	2.3339.307.0	1	pipe fitting m 22 p.1.5-3/4"
11	2.1011.105.2	1	nut m 8 p.1.25
12	2.1470.004.2	1	washer 8
13	0.065.1538.0	1	flange
14	2.1539.040.0	1	'o' ring 21.82 x 3.53
15	2.1539.065.0	2	'o' ring 8.73 x 1.78
16	0.007.1623.2	1	dipstick

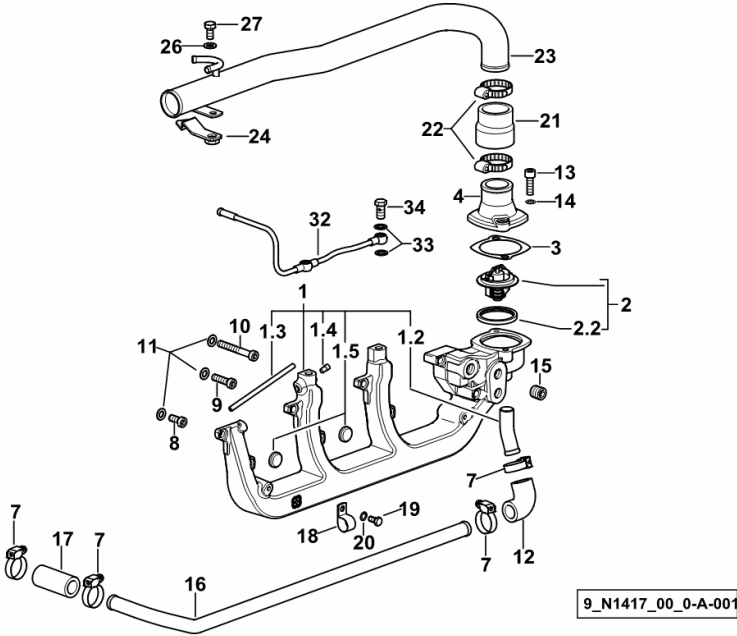


9\_N1415\_00\_0-A-001

**COOLING SYSTEM MANIFOLD**

Fig.	Code	QTY	Name
------	------	-----	------

Notes:  
[Agroplus S 90 (20") -> 8001]



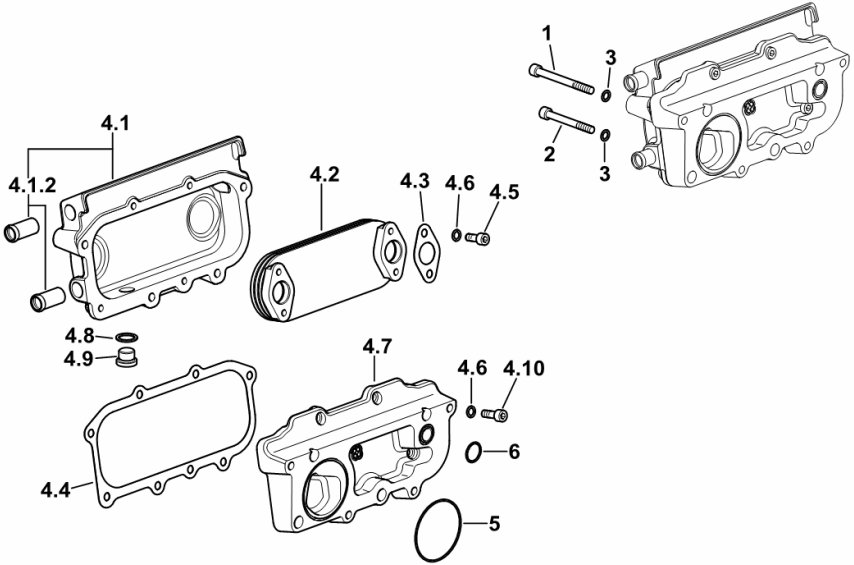
1	0.013.4517.3/20	1	manifold
1.2	0.007.0798.0	1	tube
1.3	0.007.1235.0	1	tube
1.4	2.3199.218.0	1	plug 6x13
1.5	2.3171.008.4	2	plug 20
2	0.007.1258.3/20	1	thermostat
2.2	0.007.1258.0	1	gasket
3	0.066.1757.0/30	1	gasket
4	0.007.1421.0	1	cover
7	2.6851.002.0	10	clamp Ø 20/32
8	2.0312.205.2	3	screw m 8 p.1.25 x 18
9	2.0312.210.2	4	screw m 8 p 1.25 x 30
10	2.0312.218.2	1	screw m 8 p.1.25 x 60
11	2.1480.014.1	8	washer 8
12	0.007.1236.0/10	1	sleeve
13	2.0312.208.2	2	screw m 8 p.1.25 x 25
14	2.1480.014.1	2	washer 8
15	2.3130.003.1	1	plug 3/8" gas
16	0.007.1660.0	1	tube
17	0.007.0678.0/10	4	sleeve 18x28x60
18	2.6830.010.1	2	clamp Ø 18
19	2.0112.004.2	2	screw m 6 p.1 x 14
20	2.1470.002.2	2	washer 6, d128
21	0.007.1227.0/10	1	sleeve
22	2.6851.004.0	2	clamp Ø 32/50
23	0.013.3671.2/10	1	tube
24	0.013.7298.3/10	1	square
26	2.1310.004.2	1	flat washer 8.5
27	2.0112.205.2	1	screw m 8 p.1.25 x 16
32	0.013.7248.3	1	tube
33	2.1560.006.0	4	gasket 10.2 x 16
34	2.3339.480.2/10	2	pipe union m 10 p.1.25 x 19

Section: B0 - ENGINE  
**HEAT EXCHANGER**

Fig.	Code	QTY	Name
------	------	-----	------

**Notes:**  
 - EXPORT U.S.A. [Agroplus S 90 (20") -> 8001]

1	2.0319.024.2	2	screw m 8x85
2	2.0312.220.2	2	screw m 8 p.1.25x70
3	2.1480.014.1	4	washer 8
4.1	0.015.1128.3	1	cover
4.1.2	0.066.1750.0	2	tube
4.2	0.078.1540.3	1	radiator
4.3	0.078.1557.0/10	2	gasket
4.4	0.015.0603.0	1	gasket
4.5	2.0312.203.2	4	screw m 8 p.1.25x14
4.6	2.1480.014.2	8	washer 8
4.7	0.014.8763.0/10	1	plate
4.8	2.1560.014.0	1	gasket 18.2 x 24 x 1.5
4.9	2.3120.101.0	1	plug m 18 p.1.5
4.10	2.0312.206.2	4	screw m 8 p 1.25 x 20
5	2.1539.050.0	1	'o' ring 69.57x1.78
6	2.1539.048.0	1	'o' ring 20.35x1.78

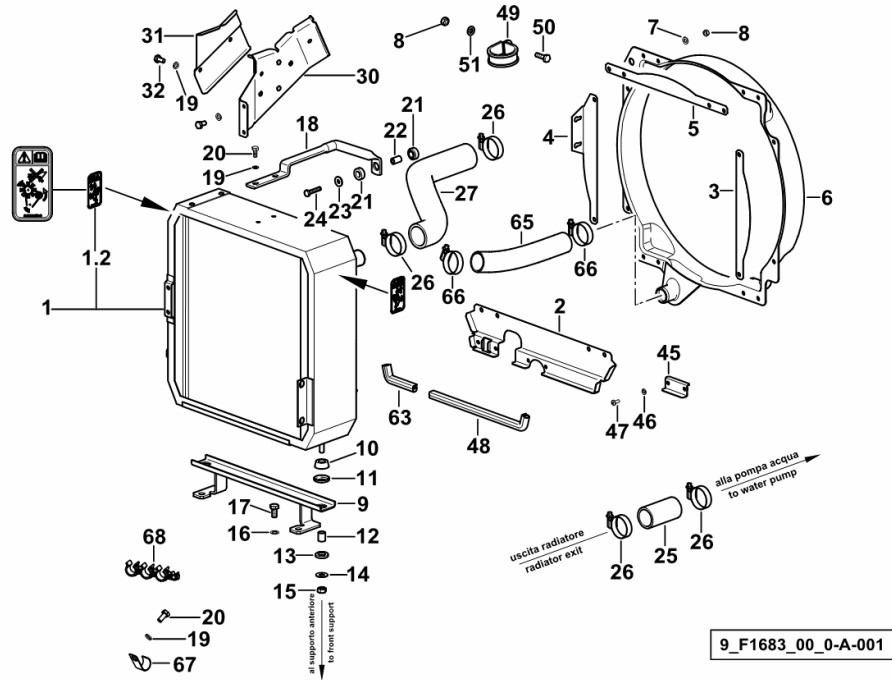


9\_O1115\_03\_0-A-001

Section: C0 - ENGINE ACCESSORIES  
**COOLING - COOLANT RADIATOR**

Fig.	Code	QTY	Name
------	------	-----	------

Notes:  
 [Agroplus S 90 (20") -> 8001] -> 8011



1	0.013.8431.3/40	1	water cooler
1.2	2.9939.273.0	2	plate
2	0.014.0396.0/10	1	shield
3	0.013.0864.0	1	guard sx/lh/li
4	0.013.3136.0	1	guard dx/rh/re
5	0.013.0863.0/10	1	guard
6	0.014.0385.2/10	1	air duct hood
7	2.1310.002.2	12	washer 6.6, d125
8	2.1011.103.2	13	nut m 6 p.1
9	0.013.0856.2/10	1	bracket
10	0.136.7385.0	2	rubber plug
11	0.136.7384.0	2	cup
12	2.1579.090.2	2	spacer 10.1x15x18
13	0.136.7387.0	4	rubber plug 15x27x5
14	2.1599.044.2	2	snoulder 10.5x25.5x1.5
15	2.1011.106.2	2	nut m 10 p.1.5
16	2.1470.006.2	2	lock washer 10
17	2.0112.307.2	2	screw m 10 p.1.5 x 20
18	0.013.3351.0/10	2	rod
19	2.1470.002.2	1	washer 6, d128
20	2.0112.004.2	4	screw m 6 p.1 x 14
21	0.035.8459.0	2	rubber plug
22	2.1579.322.0	1	spacer 10.5x6.5x17
23	2.1312.003.2	1	washer 6
24	2.0112.011.2	1	screw m 6 p.1x30
25	0.014.1882.0	1	sleeve
26	2.6851.004.0	4	clamp Ø 32/50
27	0.013.9051.0	1	tube
30	0.013.3168.2/10	1	channel
31	0.013.3264.0	1	cover
32	2.0112.003.2	4	screw m 6 p.1 x 12
45	0.013.4009.3	2	small plate
46	2.1470.001.2	4	lock washer 5
47	2.0332.304.2	4	screw m 5 p.0.8 x 12
48	0.013.4991.0	0.27	gasket
49	2.6839.065.0	1	clamp 40
50	2.0112.007.2	1	screw m 6 p.1 x 20
51	2.1312.003.2	1	washer 6
63	0.013.4991.0	0.09	gasket
65	0.014.0257.0/10	1	tube
66	2.6851.004.0	2	clamp Ø 32/50

**AIR CLEANER**

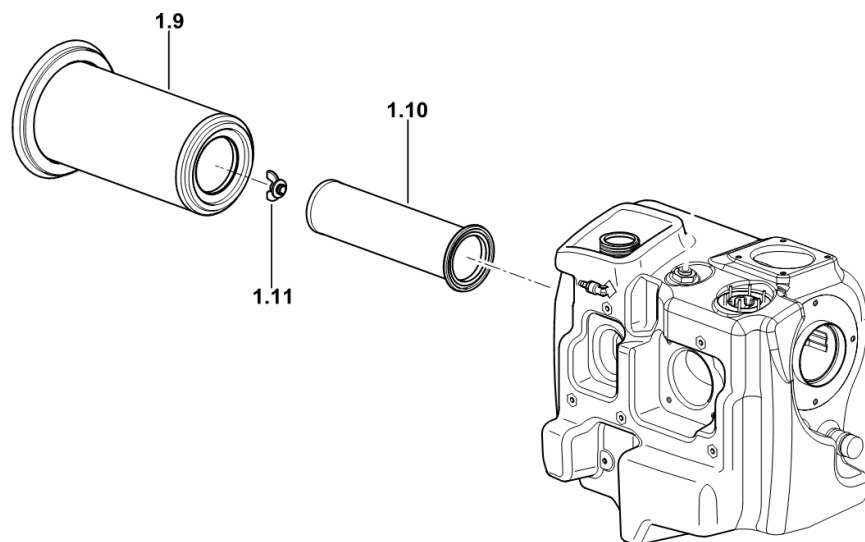
Fig.	Code	QTY	Name
------	------	-----	------

**Notes:**

- FOR TYPES WITH LIFT AND P.T.O. FRONT [Agroplus S 90 (20") -> 8001]

1.9	0.013.9979.0	1	air filter element
1.10	0.013.9980.0	1	air filter element
1.11	0.013.9978.0	1	nut

9\_F2081\_12\_0-B-001

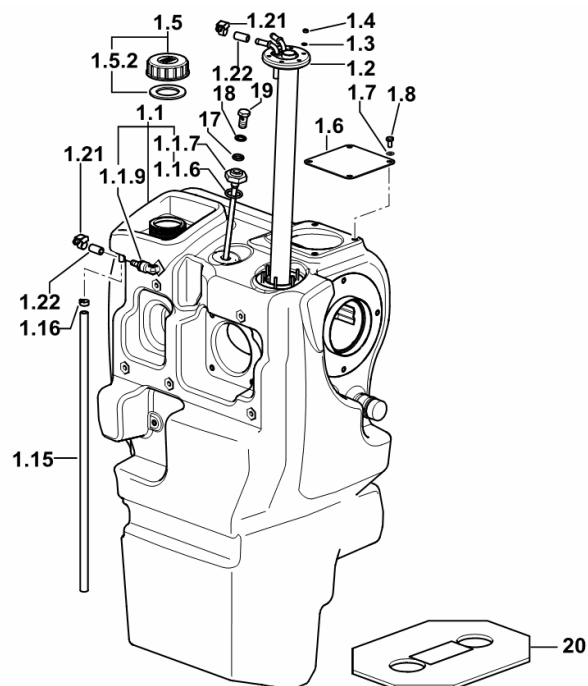


**FUEL TANK**

Fig.	Code	QTY	Name
------	------	-----	------

**Notes:**

[Agroplus S 90 (20") -> 8001]



1.1	0.013.9922.3/20	1	fueltank
1.1.6	2.1530.056.0	1	'o' ring 21.82 x 3.53
1.1.7	0.012.1709.3/20	1	tube
1.1.9	0.010.0749.0	1	breather
1.2	2.7059.987.0/10	1	float level
1.3	2.1311.002.2	6	flat washer 4
1.4	2.1011.101.2	6	nut m 4 p.0.7
1.5	0.012.3914.3	1	plug
1.5.2	2.1569.157.0	1	gasket 37.8x59.8x3
1.6	0.013.9921.0	1	cover
1.7	2.1310.002.2	4	washer 6.6, d125
1.8	2.0114.003.2	4	screw m 6 p.1 x 12
1.15	0.012.6457.0	0.5	tube
1.16	2.6857.017.0	1	clamp 13
1.21	2.6851.018.0	2	clamp 11/17
1.22	0.012.5852.0	2	cap
17	2.1569.118.0	1	gasket 12.5x18x2.5
18	2.1560.008.0	1	gasket 12.2 x 18
19	2.3332.003.2	1	pipe union m 12 p.1.25 x 23
20	0.467.8152.2/10	1	guard

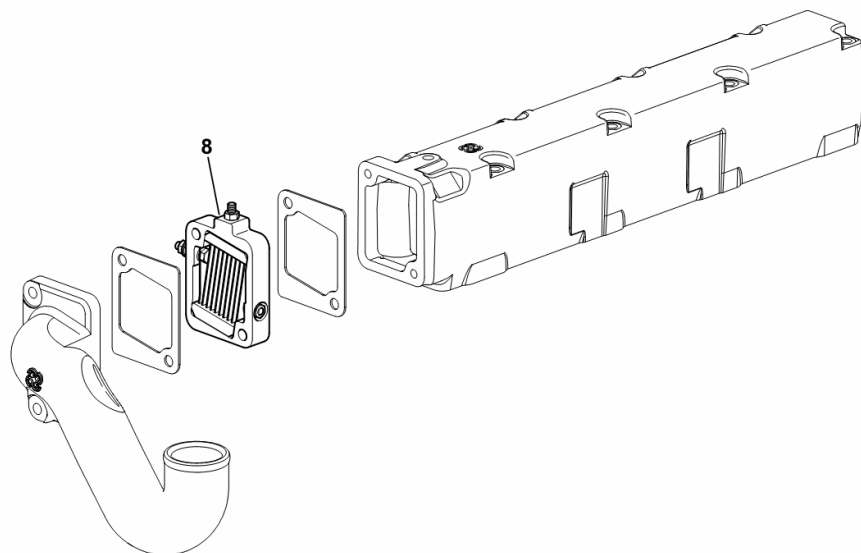
**HEATING ELEMENT 12 V**

Fig.	Code	QTY	Name
------	------	-----	------

**Notes:**

[Agroplus S 90 (20") -> 8001]

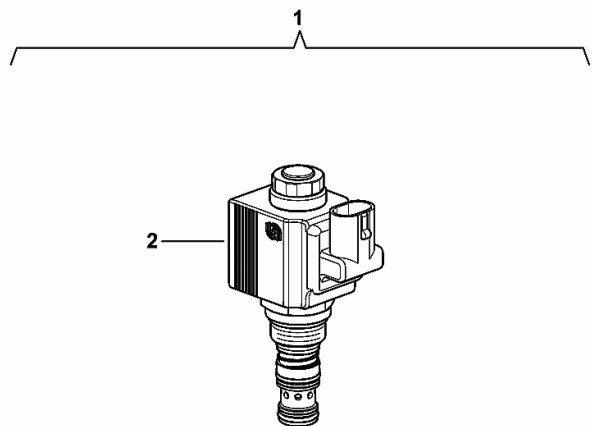
8	0.013.3450.4/10	1	resistance 12V
---	-----------------	---	----------------



9\_N2518\_01\_0-C-001

**SOLENOID VALVE 13 V - 20 W, ON/OFF 3/2**

Fig.	Code	QTY	Name
1	2.3729.697.0/20	1	electro valve 13V - 20W
2	0.900.1130.7	1	coil



2.3729.697.0\_20

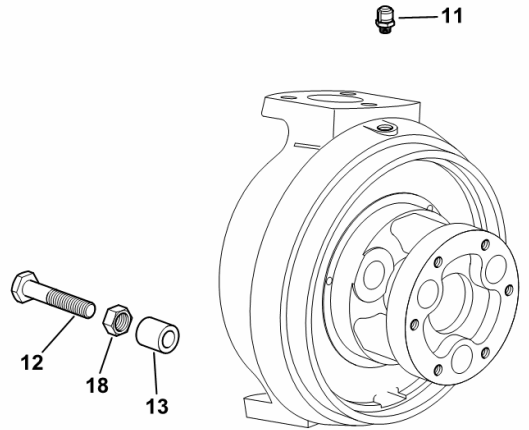
**AIR BREATHER AND STEERING STOP - 4WD**

Fig.	Code	QTY	Name
------	------	-----	------

**Notes:**  
 [Agroplus S 90 (20") -> 8001]

11	0.135.4363.3/10	3	valve
12	2.0119.237.2	0.5	screw m 14 p.2 x 75
13	2.1549.027.2	0.05	spacer 15 x 25 x 27
18	2.1011.108.2	2	nut m 14 p.2

9\_D6063\_05\_0-B-001

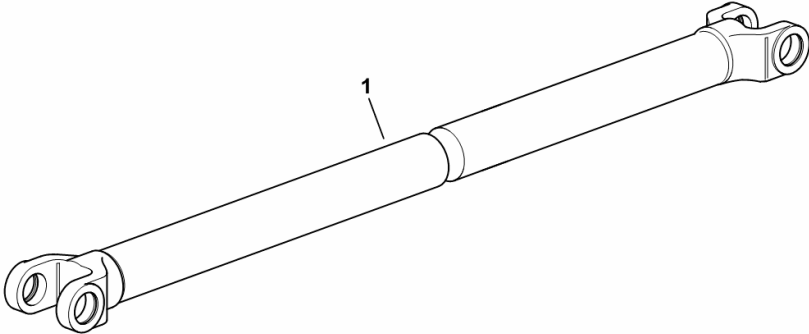


Section: F0 - FRONT AXLE  
4WD - PROPELLER SHAFT

Fig.	Code	QTY	Name
------	------	-----	------

Notes:  
[Agroplus S 90 (20") -> 8001]

1	0.010.0975.3	1	shaft
---	--------------	---	-------



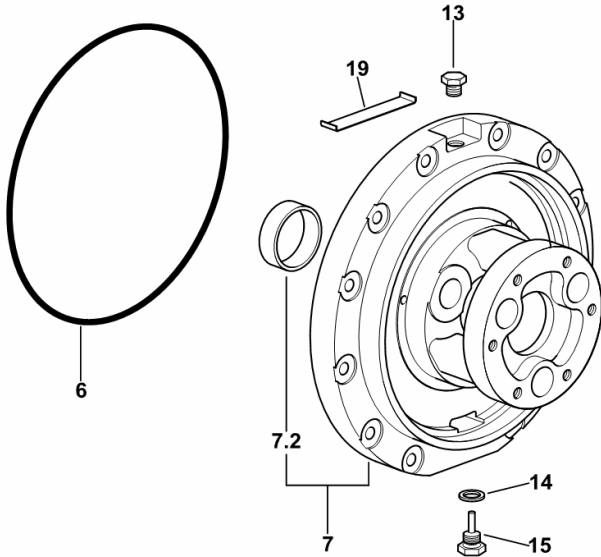
9\_70526\_02\_0-A-001

**4WD - FRONT AXLE PLANET CARRIER WITH BRAKES**

Fig.	Code	QTY	Name
------	------	-----	------

**Notes:**  
 - NARROW TYPE [Agroplus S 90 (20") -> 8001]

6	2.1530.296.0	2	'o' ring 215.5 x 3.53
7	0.007.7968.3/30	2	spider
7.2	2.1559.367.0	1	bushing 43 x 48 x 15
13	2.3199.125.0	2	plug 1/8" gas
14	2.1560.008.0	2	gasket 12.2 x 18
15	2.3199.065.2	2	plug m 12 p.1.75 x 36
19	0.012.1337.0	2	shield

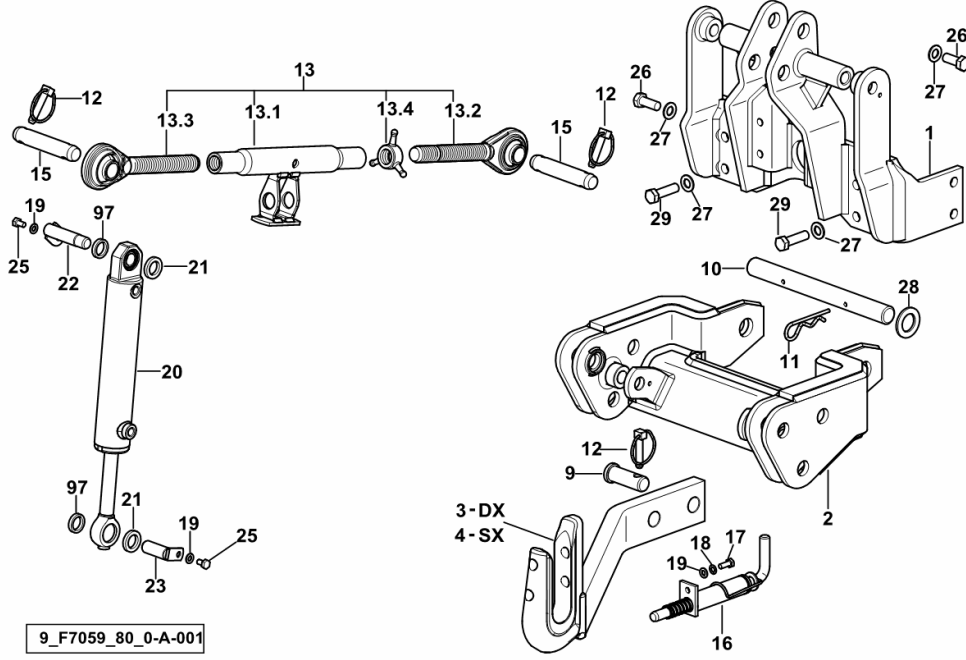


9\_78543\_01\_0-C-001

Section: N0 - FRONT LIFT  
**FRONT HYDRAULIC POWER-LIFT**

Fig.	Code	QTY	Name
------	------	-----	------

Notes:  
 [Agroplus S 90 (20") -> 8001] -> 8010



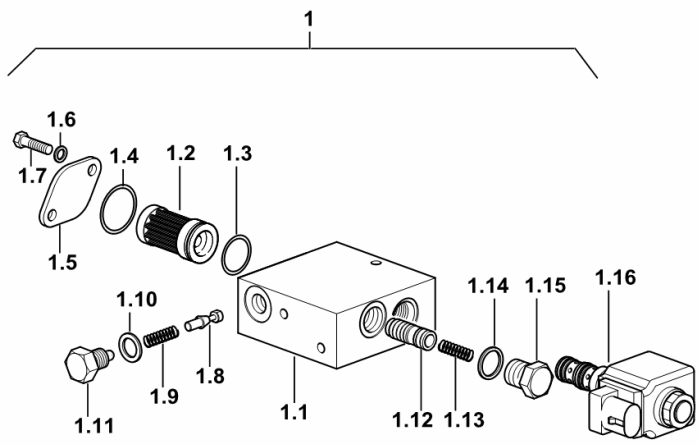
1	0.010.0899.2/10	1	support
2	0.014.9796.2	1	support
3	0.014.9940.3	1	right hand arm dx/rh/re
4	0.014.9939.3	1	left hand arm sx/lh/li
9	2.1679.110.2	4	pin
10	0.010.0986.0/10	1	pin
11	2.1699.084.2	2	pin Ø 27
12	0.010.9322.4	8	pin Ø 11
13	0.015.0372.4/20	1	top link
13.1	0.015.0372.3/10	1	sleeve
13.2	0.96044.14.3/20	1	rod dx/rh/re
13.3	0.760.3515.3/10	1	rod sx/lh/li
13.4	0.96014.57.0/10	1	locknut m 27 p.3
15	2.1669.024.2	2	pin 25.4 x 133
16	0.009.8357.3/20	2	clevis
17	2.0112.207.2	2	screw m 8 p 1.25 x 20
18	2.1470.004.2	2	washer 8
19	2.1310.004.2	6	flat washer 8.5
20	0.264.6342.4/20	2	jack
21	2.1569.125.0	4	gasket 23x35x6
22	0.007.3704.2	2	pin
23	0.007.3705.2/10	2	pin
25	2.0112.204.2	4	screw m 8 p.1.25x14
26	2.0112.513.2	4	screw m 14 p.2 x 35
27	2.1475.005.7	12	washer 14
28	2.1599.124.0	2	snoulder 30.5x50x4
29	2.0112.519.2	8	screw m 14 p.2x50
97	2.1549.517.0	4	ring 23x31x6

Section: M0 - FRONT PTO  
**FRONT PTO HYDRAULIC SYSTEM**

Fig.	Code	QTY	Name
------	------	-----	------

**Notes:**  
 [Agroplus S 90 (20") -> 8001]

1	0.010.8850.4/60	1	valve
1.1	0.010.8850.3	1	valve body
1.2	2.4419.680.0/10	1	filter
1.3	2.1531.057.0	1	'o' ring
1.4	2.1531.076.0	1	'o' ring
1.5	0.010.8851.0	1	flange
1.6	2.1470.002.2	2	washer 6, d128
1.7	2.0112.003.2	2	screw m 6 p.1 x 12
1.8	0.009.9898.0	1	small piston
1.9	2.4019.639.1	1	spring
1.10	2.1560.008.0	1	gasket 12.2 x 18
1.11	2.3199.283.2	1	plug
1.12	0.9087.457.0/10	1	valve
1.13	2.4019.256.1	1	spring 7.8 x 54 x 1.4
1.14	2.1560.011.0	1	gasket 16.2x20
1.15	2.3199.282.2	1	plug
1.16	2.3729.340.0/50	1	electro valve



9\_70559\_86\_0-B-001

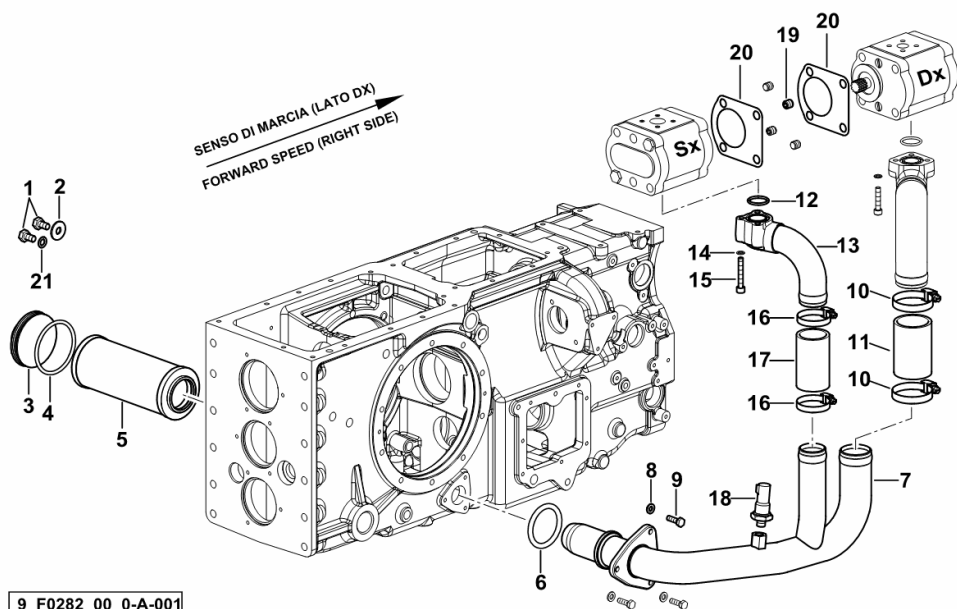
**SUCTION HYDRAULIC SYSTEM**

Fig.	Code	QTY	Name
------	------	-----	------

**Notes:**

[Agroplus S 90 (20") -> 8001]

1	2.0112.204.2	2	screw m 8 p.1.25x14
2	2.1312.004.3	1	washer 8,4x24x2
3	0.013.8789.0/10	1	cover
4	2.1532.157.0	1	ring 64.77x2.62
5	2.4419.770.0/10	1	filter
6	2.1532.137.0	1	ring 55.25x2.62
7	0.014.2329.3	1	tube
8	2.1310.002.2	3	washer 6.6, d125
9	2.0112.007.2	1	screw m 6 p.1 x 20
10	2.6851.005.0	2	clamp Ø 40/60
11	2.3213.240.0	1	sleeve
12	2.1531.058.0	1	'o' ring 22.22x2.62
13	0.013.7938.3/10	1	tube
14	2.1480.012.2	3	washer 6, d128
15	2.0312.114.2	3	screw m 6 p.1x40
16	2.6851.004.0	2	clamp Ø 32/50
17	2.3213.234.0	1	sleeve Ø 34, L 70
18	2.7099.660.0/10	1	pressure switch 0.4/0.5 BAR
19	2.0512.303.7	4	screw m 10 p.1.5 x 10
20	0.9104.250.0/10	2	gasket
21	2.1560.004.0	1	gasket 8.2 x 14



9\_F0282\_00\_0-A-001

**Agroplus S 90 (20") -> 8001**

Section: H0 - HYDRAULIC AND PNEUMATIC SYSTEM|

Ref.: H0.01.17 (1)

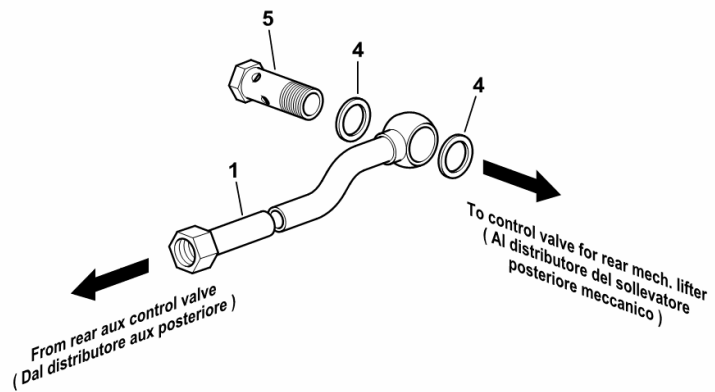
**PIPE FROM AUX. CONTROL VALVE TO MECHANICAL REAR LIFT CONTROL VALVE**

Fig.	Code	QTY	Name
------	------	-----	------

**Notes:**

[Agroplus S 90 (20") -> 8001]

1	0.010.9309.3/10	1	tube
4	2.1560.014.0	2	gasket 18.2 x 24 x 1.5
5	2.3335.008.2	1	pipe union m 18 p.1.5 x 32



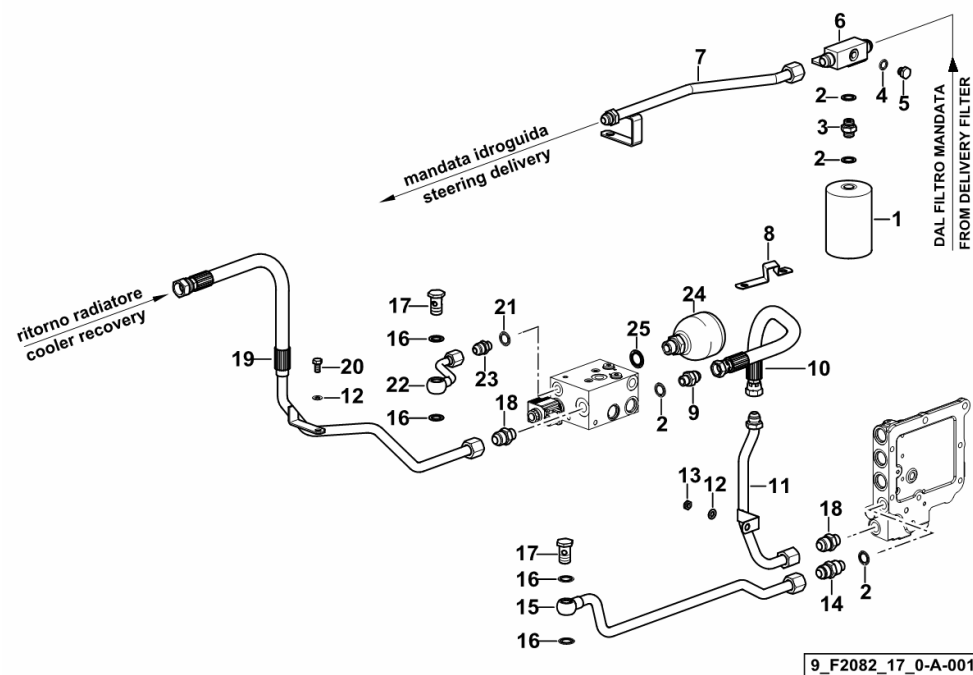
9\_70559\_32\_0-A-001

**HYDRAULIC SYSTEM**

Fig.	Code	QTY	Name
------	------	-----	------

**Notes:**

- FOR TYPES WITH H-M-L- (POWERSHIFT) [Agroplus S 90 (20") -> 8001]



1	0.011.4186.2	1	vibration damper 270 cc
2	2.1561.008.0	4	'o' ring 16
3	0.299.6358.0/20	1	pipe fitting M 16/M 16 Ø5
4	2.1561.006.0	1	'o' ring 12
5	2.3110.402.2	1	plug m 12 p.1.5
6	0.014.5636.3	1	body
7	0.014.5632.3/10	1	tube
8	0.011.8415.0/10	1	bracket
9	2.3261.008.2	1	pipe fitting m 16 p.1.5-3/4"
10	0.014.5733.3	1	tube
11	0.014.5629.3	1	tube
12	2.1475.002.2	2	conical washer 8
13	2.1011.205.2	1	nut m 8 p.1.25
14	2.3249.110.2	1	pipe fitting 7/8" - 14 JIC M 16
15	0.014.5631.3/10	1	tube
16	2.1561.110.0	4	'o' ring Ø 18 -B-
17	2.3335.008.2	2	pipe union m 18 p.1.5 x 32
18	2.3249.141.2	2	pipe fitting 7/8 JIC-M18
19	0.014.5633.3/10	1	tube
20	2.0112.205.2	1	screw m 8 p.1.25 x 16
21	2.1561.007.0	1	gasket 14,8x22.2
22	0.014.5630.3	1	tube
23	2.3339.594.2/10	1	pipe fitting m 14 p.1.5-3/4-16
24	0.013.8759.0/10	1	accumulator
25	2.1561.112.0	1	gasket Ø 22 -B-

**Agroplus S 90 (20") -> 8001**

Section: H0 - HYDRAULIC AND PNEUMATIC SYSTEM|

Ref.: H0.02.1 (1)

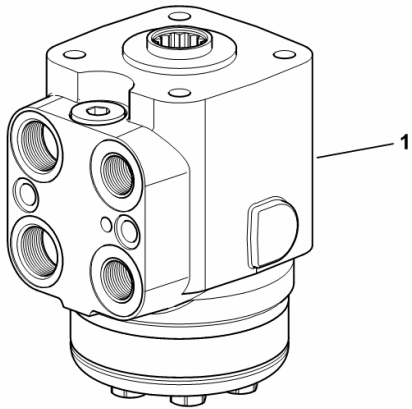
**HYDROSTATIC STEERING CONTROL VALVE**

Fig.	Code	QTY	Name
------	------	-----	------

**Notes:**

[Agroplus S 90 (20") -> 8001]

1	2.4569.007.0	1	hydrosteering OSPC 80 OR ☞ 2.4569.007.0
---	--------------	---	--



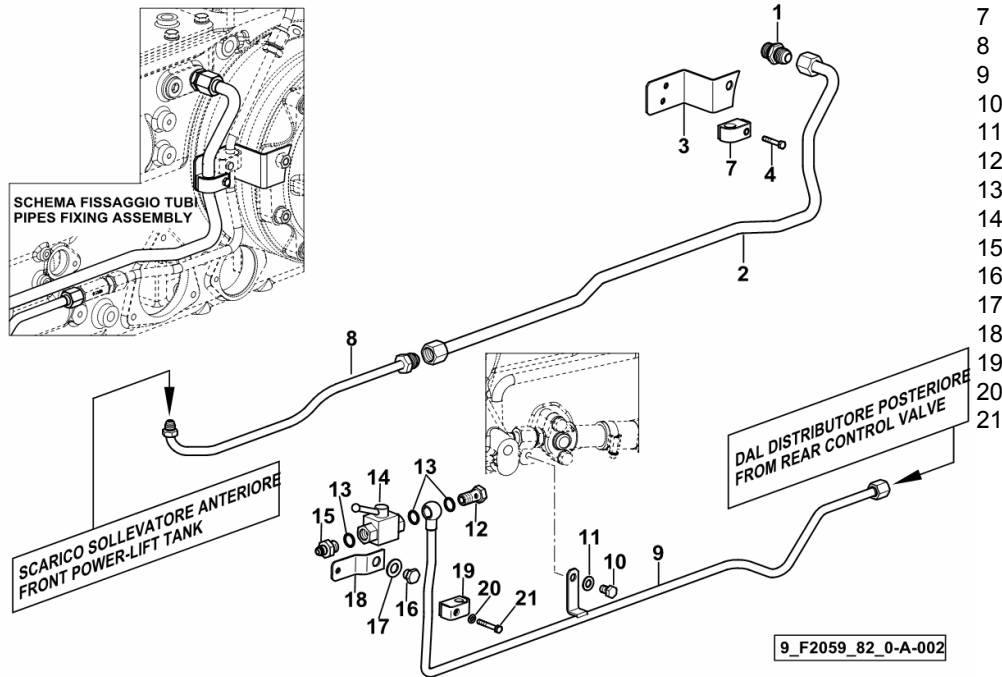
9\_F2063\_01\_0-A-001

**FRONT LIFT - HYDRAULIC SYSTEM**

Fig.	Code	QTY	Name
------	------	-----	------

**Notes:**

- WITHOUT FRONT CONTROL VALVE - WITHOUT CENTRAL SOCKETS [Agroplus S 90 (20") -> 8001] -> 8021



1	2.3249.129.2	1	pipe fitting m 22 - 7/8" JIC
2	0.014.7734.3/10	1	exhaust
3	0.014.8707.3	1	bracket
4	2.0112.013.2	1	screw m 6 p.1 x 35
7	2.3320.108.0	1	terminal
8	0.014.8708.3	1	exhaust
9	0.014.8671.3/10	1	tube
10	2.0112.305.2	1	screw m 10 p.1.5 x 16
11	2.1475.003.2	1	washer 10
12	2.3339.063.2	1	pipe union 3/8" gas x 30
13	2.1560.053.0	3	gasket 17 x 21
14	0.009.0375.4/10	1	valve
15	2.3261.109.2	1	pipe fitting 9/16" - 18 J
16	2.3110.403.1	1	plug m 14 p.1.5
17	2.1475.005.2	1	washer 14
18	0.015.6498.3	1	bracket
19	2.3320.105.0	1	collar
20	2.1310.002.2	1	washer 6.6, d125
21	2.0112.015.2	1	screw m 6 p.1x40

Agroplus S 90 (20") -> 8001

Section: H0 - HYDRAULIC AND PNEUMATIC SYSTEM|

Ref.: H0.06.1 (1)

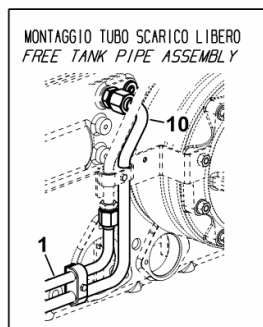
**2+1 MID-MOUNT HYDRAULIC COUPLERS - REAR**

Fig.	Code	QTY	Name
------	------	-----	------

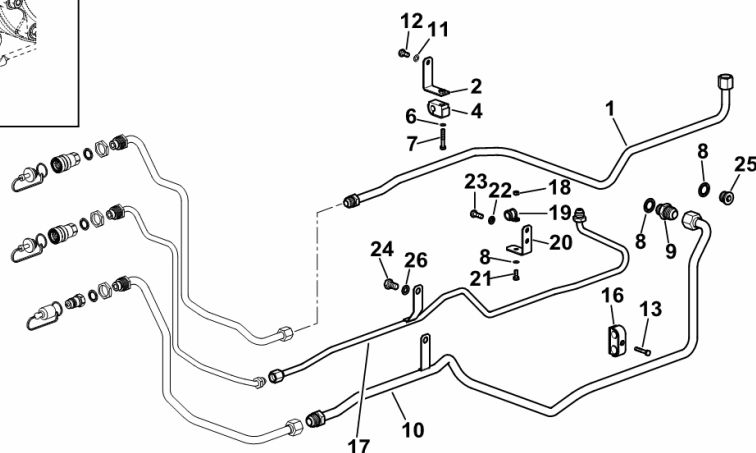
**Notes:**

[Agroplus S 90 (20") -> 8001]

1	0.014.7620.3/10	1	tube
2	0.014.7619.3	1	bracket
4	2.3320.105.0	1	collar
6	2.1310.002.2	1	washer 6.6, d125
7	2.0112.015.2	1	screw m 6 p.1x40
8	2.1561.112.0	1	gasket Ø 22 -B-
9	2.3261.013.2	1	pipe fitting m 22 p.1.5-1 1/16"
10	0.014.7575.3/10	1	tube
11	2.1470.004.2	1	washer 8
12	2.0112.205.2	1	screw m 8 p.1.25 x 16
13	2.0112.013.2	1	screw m 6 p.1 x 35
16	2.3320.217.0	1	terminal
17	0.014.7618.3	1	tube
18	2.1011.103.2	1	nut m 6 p.1
19	2.6839.059.0	1	clamp Ø 12 / 15
20	0.014.7702.0	1	bracket
21	2.0112.005.2	1	screw m 6 p.1 x 16
22	2.1310.004.2	2	flat washer 8.5
23	2.0112.208.2	2	screw m 8 p.1.25 x 22
24	2.0112.407.2	1	screw m 12 p.1.75 x 20
25	2.3120.002.4	1	plug m 22 x 1.5
26	2.1310.007.2	1	flat washer 13.5



9\_F7088\_04\_0-A-001



**Agroplus S 90 (20") -> 8001**

Section: H0 - HYDRAULIC AND PNEUMATIC SYSTEM|

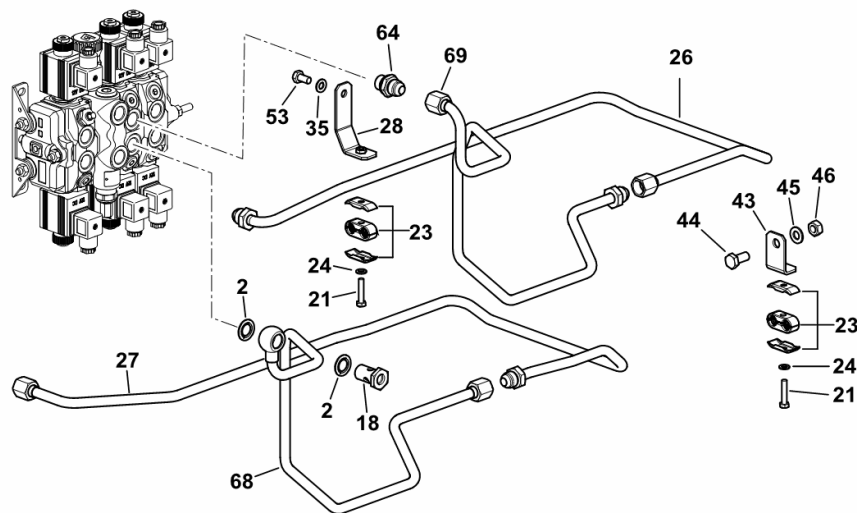
Ref.: H0.06.14 (2)

**9+1 MID-MOUNT HYDRAULIC COUPLERS - FRONT**

Fig.	Code	QTY	Name
------	------	-----	------

**Notes:**

- WITH 6-WAY FRONT CONTROL VALVE [Agroplus S 90 (20") -> 8001] -> 8006



2	2.1561.110.0	25	'o' ring Ø 18 -B-
18	2.3335.008.2	4	pipe union m 18 p.1.5 x 32
21	2.0112.011.2	9	screw m 6 p.1x30
23	2.3321.010.0	9	collar Ø 12/12
24	2.1310.002.2	12	washer 6.6, d125
26	0.014.7750.3	1	tube
27	0.014.7752.3	1	tube
28	0.014.7748.3	1	bracket
35	2.1310.004.2	3	flat washer 8.5
43	0.014.7573.3	2	bracket
44	2.0112.308.2	2	screw m 10 p.1.5x22
45	2.1310.006.2	2	flat washer 10.5
46	2.1011.106.2	2	nut m 10 p.1.5
53	2.0112.205.2	1	screw m 8 p.1.25 x 16
64	2.3249.138.2	1	pipe fitting m 18 - 3/4" JIC
68	0.014.7749.3	1	tube
69	0.014.7751.3	1	tube

9\_F7088\_11\_0-C-002

**Agroplus S 90 (20") -> 8001**

Section: H0 - HYDRAULIC AND PNEUMATIC SYSTEM|

Ref.: H0.07.5 (1)

**HYDRAULIC SYSTEM - FOR 6-WAY CONTROL VALVE**

9\_F2088\_26\_0-A-001

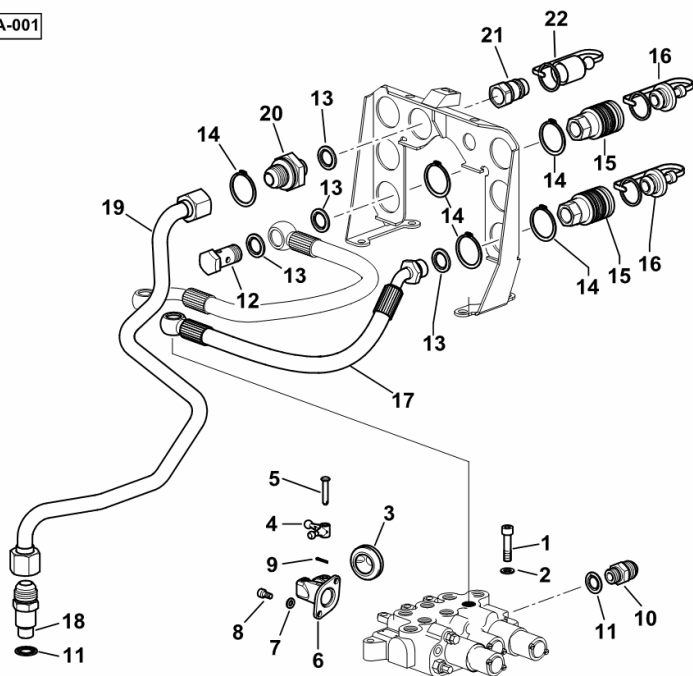


Fig.	Code	QTY	Name
------	------	-----	------

**Notes:**

[Agroplus S 90 (20") -> 8001]

1	2.0312.212.2	1	screw m 8 p.1.25 x 35
2	2.1310.004.2	1	flat washer 8.5
3	0.014.2365.0	3	boot
4	0.010.6227.0/10	3	pin
5	2.1671.109.2	3	pin 6 x 32
6	0.010.6226.0/30	3	support
7	2.1474.007.2	6	washer 6, d128
8	2.0312.102.2	6	screw m 6 p.1 x 12
9	2.1690.205.2	3	split pin 2x12
10	2.3261.010.2	1	pipe fitting m 18 p.1.5 - 7/8" 14
11	2.1561.110.0	2	'o' ring Ø 18 -B-
12	2.3339.181.2	1	pipe union 1/2"gas x 49
13	2.1569.206.0	4	gasket
14	2.1410.015.7	5	circlip 38
15	0.98309.50.3/10	2	coupling ☞ 0.98309.50.3/10
16	0.013.7997.0	2	plug
17	0.010.9303.3	1	tube
18	2.3339.833.2/20	1	pipe fitting 1 1/16" - 12 M18X1.5
19	0.011.2648.3/40	1	tube
20	2.3339.832.2/20	1	pipe fitting
21	0.98309.51.3/10	1	coupling 1/2
22	0.009.3149.0	1	plug

**Agroplus S 90 (20") -> 8001**

Section: H0 - HYDRAULIC AND PNEUMATIC SYSTEM|

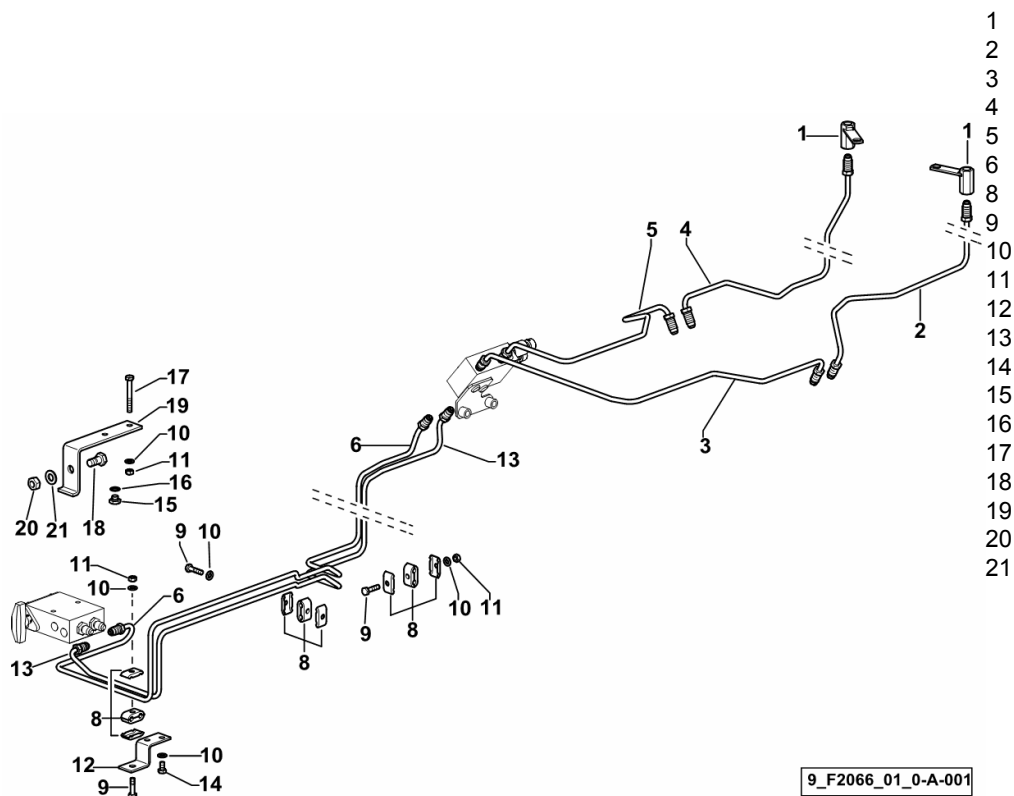
Ref.: H0.09.2 (1)

**BRAKING SYSTEM**

Fig.	Code	QTY	Name
------	------	-----	------

**Notes:**

[Agroplus S 90 (20") -> 8001]

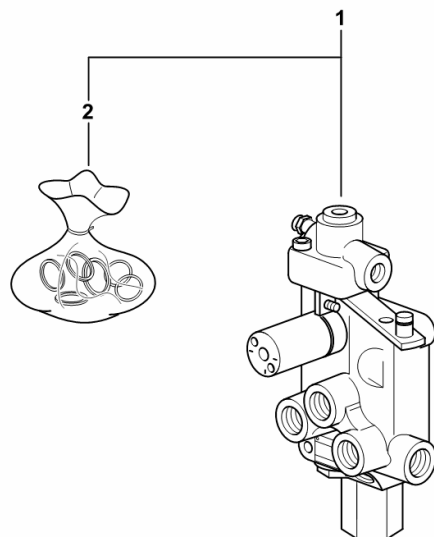


1	0.010.9417.2	2	pipe fitting
2	0.010.9416.3/20	1	tube sx/lh/li
3	0.014.5703.3	1	tube sx/lh/li
4	0.014.5707.3	1	tube dx/rh/re
5	0.014.5704.3	1	tube dx/rh/re
6	0.014.5705.3/20	1	tube sx/lh/li
8	2.3321.002.0	3	terminal Ø 6.35 / 6.35
9	2.0112.009.2	3	screw m 6 p.1 x 25
10	2.1310.002.2	7	washer 6.6, d125
11	2.1011.103.2	4	nut m 6 p.1
12	0.014.5702.0	1	bracket
13	0.014.5706.3/20	1	tube dx/rh/re
14	2.0112.003.2	2	screw m 6 p.1 x 12
15	2.3110.510.1	1	plug 1/8" gas
16	2.1560.051.0	1	gasket 10x13.5
17	2.0112.019.2	2	screw m 6 p.1 x 50
18	2.0112.307.2	1	screw m 10 p.1.5 x 20
19	0.010.8357.0	1	bracket
20	2.1011.106.2	1	nut m 10 p.1.5
21	2.1310.006.2	1	flat washer 10.5

9\_F2066\_01\_0-A-001

**TRAILER BRAKE VALVE**

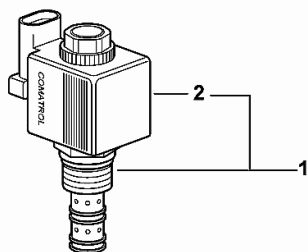
Fig.	Code	QTY	Name
1	2.3719.550.0/50	1	valve
2	0.010.3493.1	1	seal ring kit
3	0.900.0040.2	1	spring
4	0.900.0040.3	1	small block



2\_3719\_810\_0\_20

**SOLENOID VALVE**

Fig.	Code	QTY	Name
1	2.3729.340.0/40	1	electro valve
2	0.900.1130.7	1	coil

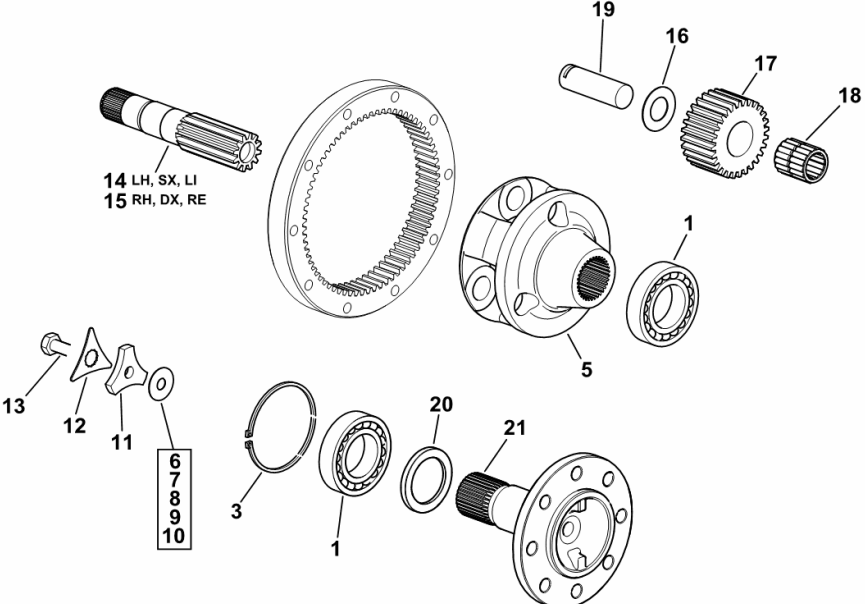


2\_3729\_340\_0\_50

**REAR REDUCTION GEARS AND AXLE SHAFTS**

Fig.	Code	QTY	Name
------	------	-----	------

Notes:  
[Agroplus S 90 (20") -> 8001]



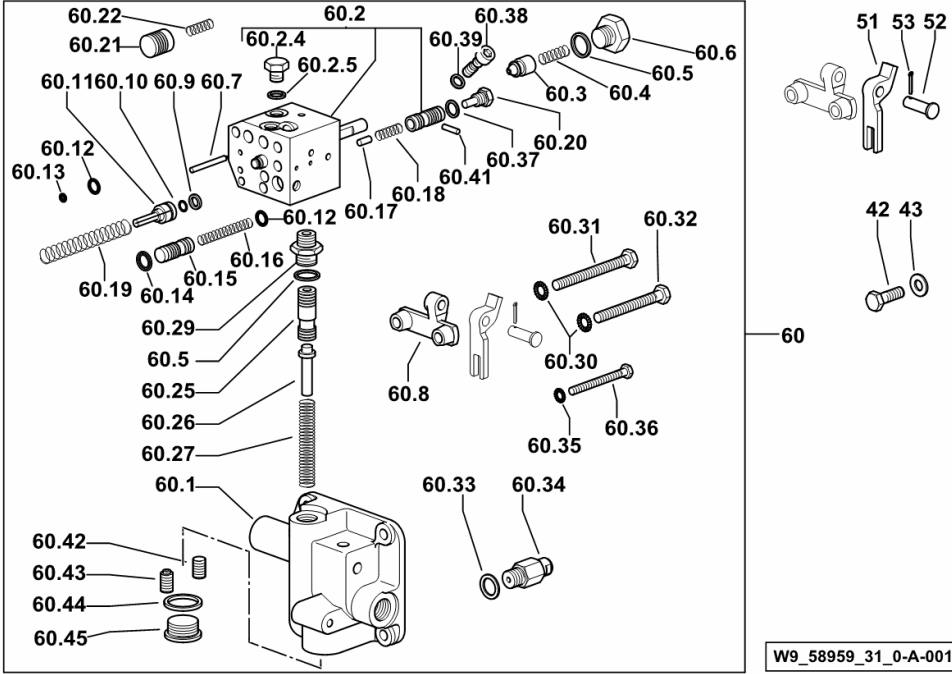
1	2.2520.012.0	4	roller bearing 55 x 100 x 22.75
3	2.1410.041.1	2	circlip Ø 105
5	0.009.7143.0	2	box
6	2.1589.106.0	6	snoulder 14.5 x 41 x 1.0
7	2.1589.107.0	2	snoulder 14.5 x 41 x 0.5
8	2.1589.108.0	2	snoulder 14.5 x 41 x 0.2
9	2.1589.109.0	2	snoulder 14.5 x 41 x 0.1
10	2.1589.246.0	2	snoulder 14.5 x 41 x 0.15
11	0.008.5604.0	2	spacer
12	0.008.5605.0	2	washer
13	2.0139.041.1	2	screw m 14 p.1.5 x 33
14	0.009.7205.0/10	1	half-shaft sx/lh/li
15	0.009.7206.0/10	1	half-shaft dx/rh/re
16	2.1599.712.0	12	snoulder 30.2 x 55 x 1.0
17	0.009.7145.0	6	planet gear Z = 28
18	2.2999.307.0	6	roller cage 30 x 44 x 52
19	0.009.7144.0	6	pin
20	2.1579.902.0	2	spacer 58 x 89 x 8
21	0.479.4734.0/30	2	half-shaft

9\_70547\_02\_0-A-001

FLOW CONTROL VALVE WITH MECHANICAL CONTROL

Fig.	Code	QTY	Name
------	------	-----	------

Notes:  
 [Agroplus S 90 (20") -> 8001] 8024 <-



42	2.0312.208.2	4	screw m 8 p.1.25 x 25
43	2.1480.014.1	4	washer 8
51	0.009.2388.0/10	1	lever
52	2.1671.307.2	1	pin 8x28
53	2.1690.206.2	1	split pin 2x16
60	0.009.2977.4/70	1	distributor
60.1	0.009.2977.3/40	1	manifold
60.2	0.009.2383.3/60	1	distributor
60.2.4	2.3110.401.1	3	plug m 10 p.1x8
60.2.5	2.1560.005.0	3	gasket 10.2 x 14
60.3	0.9087.452.3/10	1	valve
60.4	2.4019.257.1	1	spring 8.8x25x1.1
60.5	2.1560.011.0	2	gasket 16.2x20
60.6	2.3199.062.2	1	plug m 16 p.1.5
60.7	0.9087.450.0/20	1	stem
60.8	0.009.2387.0/30	1	support
60.9	0.9087.456.0	1	washer
60.10	2.1420.002.0	1	circlip a 8
60.11	0.009.3002.0/10	1	small piston
60.12	2.1531.025.0	2	'o' ring 10.82x1.78
60.13	2.1531.009.0	1	'o' ring 5.28x1.78
60.14	2.1531.033.0	1	'o' ring 13.11x2.62
60.15	0.9087.457.0/10	1	valve
60.16	2.4019.256.1	1	spring 7.8 x 54 x 1.4
60.17	2.1699.155.0	1	pin 5x11.5
60.18	2.4019.258.1	1	spring 7.8x25.5x0.9
60.19	2.4019.487.1	1	spring
60.20	2.3199.061.2	1	plug m 10 p.1
60.21	0.9087.451.0/20	1	small piston
60.22	2.4019.257.1	1	spring 8.8x25x1.1
60.25	0.009.3324.0/10	1	small piston
60.26	0.9087.468.0	1	pin
60.27	2.4019.006.1	1	spring 12.2x70x1.2
60.29	2.3261.007.2	1	pipe fitting m 16 p.1.5-9/16"
60.30	2.1470.004.2	3	washer 8
60.31	2.0112.225.2	2	screw m 8 p.1.25 x 80
60.32	2.0112.223.2	1	screw m 8 p.1.25x70
60.33	2.1560.010.0	1	gasket 14.2 x 20 x 1.5
60.34	0.9087.464.3	1	valve
60.35	2.1470.002.2	1	washer 6, d128
60.36	2.0112.021.2	1	screw m 6 p.1 x 60

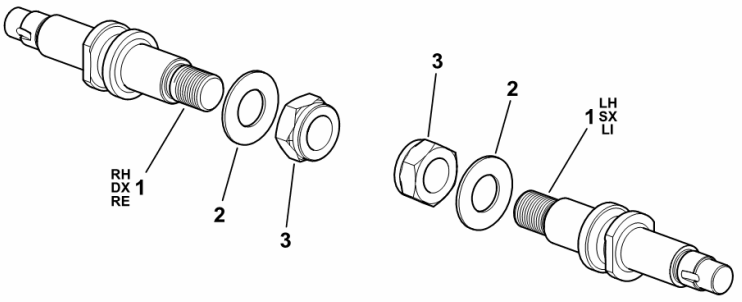
LIFT ARMS TO GEARBOX LOCK PINS

Fig.	Code	QTY	Name
------	------	-----	------

Notes:  
 [Agroplus S 90 (20") -> 8001] -> 8027

1	0.013.1154.0/10	2	pin m 28 p.1.5 / m 30 p.2
2	2.4099.114.7	2	spring
3	2.1120.315.2	2	nut m 30 p.2

9\_H9431\_02\_0-A-001



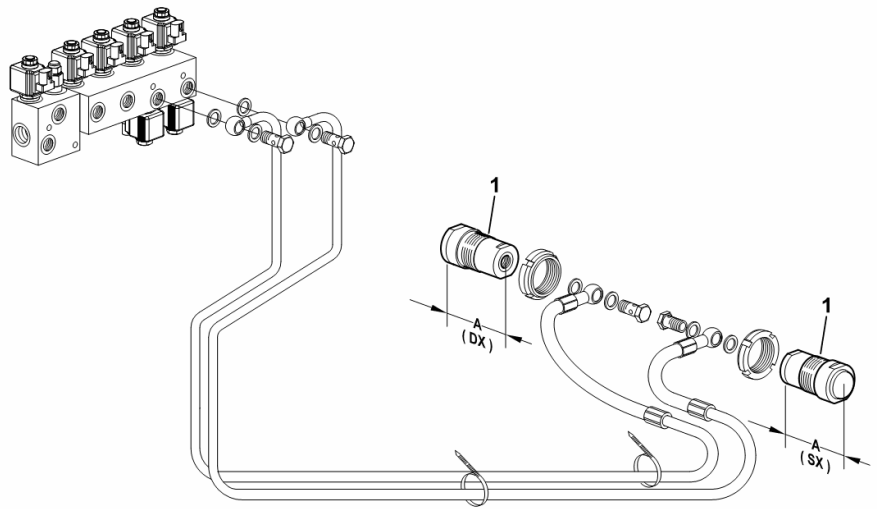
Section: R0 - REAR LIFT  
**HYDRAULIC CYLINDERS**

Fig.	Code	QTY	Name
------	------	-----	------

Notes:  
[Agroplus S 90 (20") -> 8001]

1	0.011.4904.4	2	cylinder A = mm 108.5 ☞ 0.011.4904.4
---	--------------	---	---

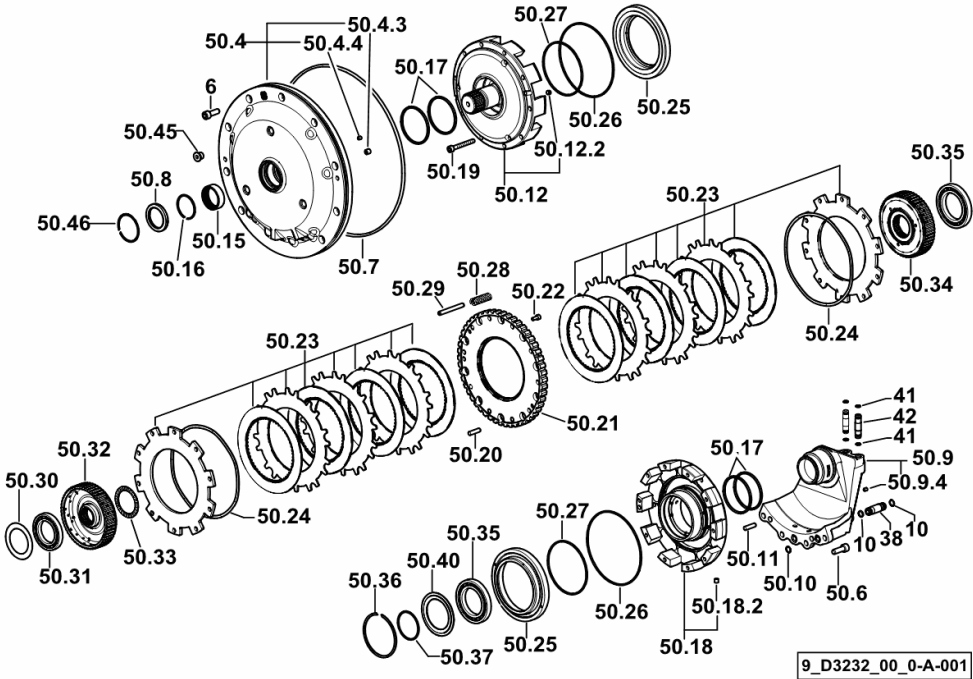
9\_70558\_07\_0-A-001



Section: D0 - TRANSMISSION  
**HYDRAULIC SHUTTLE**

Fig.	Code	QTY	Name
------	------	-----	------

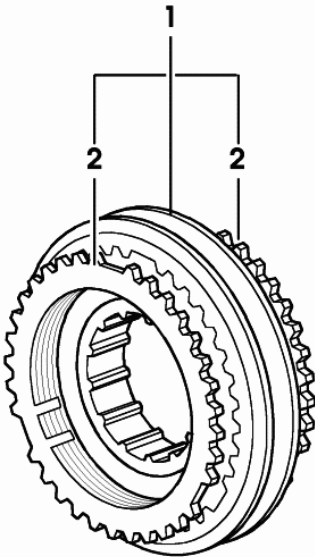
Notes:  
 [Agroplus S 90 (20") -> 8001]



6	2.0312.310.2	9	screw m 10 p.1.5 x 30
10	2.1532.024.0	2	'o' ring 10.77x2.62
38	0.013.4884.0	1	tube
41	2.1532.016.0	4	'o' ring 8.74 x 1.78
42	0.012.9896.0	2	tube
50.4	0.012.9497.3/70	1	cover
50.4.3	2.0512.303.2	4	grain m 10 p 1.5 x 10
50.4.4	2.0512.102.7	2	screw m 6 p.1 x 8
50.6	2.0312.310.2	4	screw m 10 p.1.5 x 30
50.7	2.1539.228.0/10	1	'o' ring
50.8	2.1529.166.0	1	'o' ring
50.9	0.013.4881.3/60	1	support
50.9.4	2.0512.102.7	4	screw m 6 p.1 x 8
50.10	2.1532.024.0	2	'o' ring 10.77x2.62
50.11	2.1651.811.0	2	cylindrical plug 10x24
50.12	0.013.5434.3/60	1	drum
50.12.2	2.0512.202.7	2	screw m 8 p.1.25 x 8
50.15	2.2725.050.0	1	roller cage
50.16	2.1423.039.7	1	circlip
50.17	2.1499.254.0	4	ring 82
50.18	0.013.5435.3/40	1	hub
50.18.2	2.0512.202.7	2	screw m 8 p.1.25 x 8
50.19	2.0312.219.2	10	screw m 8 p.1.25x65
50.20	2.1655.410.0	1	pin 8x32
50.21	0.012.9724.0/50	1	ring
50.22	2.0312.103.2	2	screw m 6 p.1 x 14
50.23	0.013.2921.3/30	2	clutch disc
50.24	2.4099.517.0	8	spring
50.25	0.012.9746.0/30	2	piston
50.26	2.1539.236.0	2	'o' ring
50.27	2.1539.230.0/10	2	'o' ring
50.28	2.4019.784.1	10	spring 3.6x16x62.5
50.29	2.1659.522.0	10	pin
50.30	2.1499.210.0	1	spring
50.31	2.2020.009.0	1	ball bearing
50.32	0.013.5485.0/40	1	hub
50.33	2.2999.228.0	1	roller cage 50x70x3
50.34	0.013.5484.0/30	1	hub
50.35	2.2020.011.0	2	bearing
50.36	2.1429.069.7	1	circlip
50.37	2.1422.037.7	1	circlip 60x1.5

Section: D0 - TRANSMISSION  
**SYNCHRONIZER PARTS**

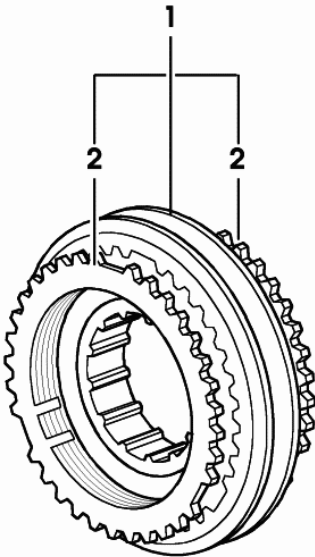
Fig.	Code	QTY	Name
1	0.007.7620.4/10	1	lock synchronizer 62
2	0.010.2136.0	2	ring



007\_7620\_4\_10

Section: D0 - TRANSMISSION  
**SYNCHRONIZER PARTS**

Fig.	Code	QTY	Name
1	0.007.7620.4/10	1	lock synchronizer 62
2	0.010.2136.0	2	ring



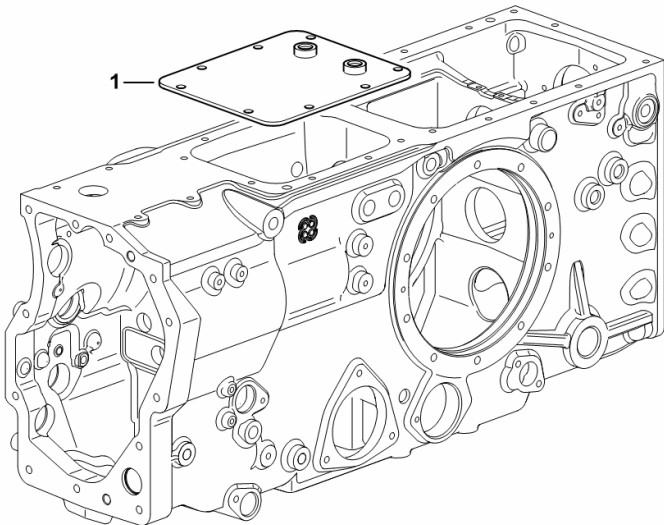
007\_7620\_4\_10

Section: D0 - TRANSMISSION  
**GEARBOX UPPER COVER**

Fig.	Code	QTY	Name
------	------	-----	------

Notes:  
[Agroplus S 90 (20") -> 8001]

1	0.010.8215.2	1	cover
---	--------------	---	-------

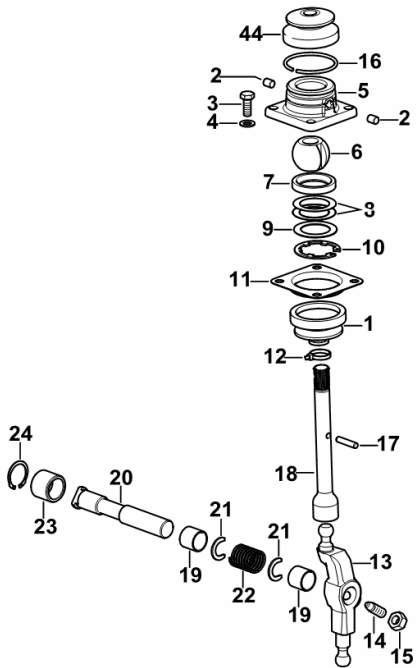


9\_E2531\_02\_0-A-001

Section: D0 - TRANSMISSION  
**GEAR SHIFTING**

Fig.	Code	QTY	Name
------	------	-----	------

Notes:  
 [Agroplus S 90 (20") -> 8001]



1	0.008.5961.0	1	guard
2	2.1699.395.0	2	pin 8x10.5
3	2.0112.207.2	7	screw m 8 p 1.25 x 20
4	2.1475.202.2	9	spring washer 8.4 x 16
5	0.008.5410.0/70	1	support
6	0.008.0305.0	1	ball mm 40
7	0.008.5395.0/10	1	ring
8	2.1589.251.0	2	snoulder 32x46.5x0.2
9	2.1589.302.0	1	snoulder 32x46.5x1
10	2.1499.122.0	1	circlip 47
11	0.008.5404.0	1	spacer
12	2.6852.101.0	1	clamp 142x3.6
13	0.013.3197.0/10	1	lever
14	2.0399.050.2	2	screw m 10 p.1 x 30
15	2.1011.406.2	2	nut m 10 p.1
16	2.1420.021.7	1	circlip a 55
17	2.1651.512.0	1	pin 6 x 28
18	0.014.4489.0/10	1	lever
19	2.1555.311.0	2	bushing 20x23x20
20	0.013.3196.0	1	rod
21	0.008.5405.0	2	ring
22	2.4019.654.1	1	spring
23	2.1559.373.0	1	bushing
24	2.1419.073.0	1	circlip 30x1.2
44	0.255.6451.0/10	1	bellows

9\_D3264\_00\_0-A-001

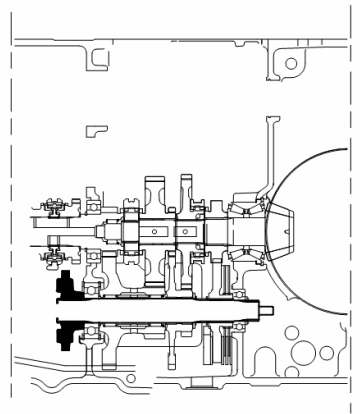
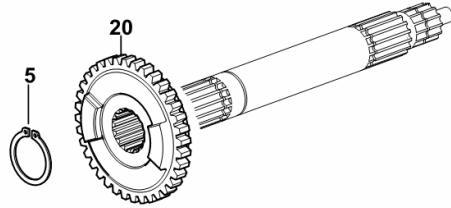
**PHONIC WHEEL FOR TYPES WITH ELECTROHYDRAULIC 4WD ENGAGEMENT**

Fig.	Code	QTY	Name
------	------	-----	------

**Notes:**

[Agroplus S 90 (20") -> 8001]

5	2.1419.128.7	3	circlip 35
20	0.014.1994.0	1	gear Z = 36



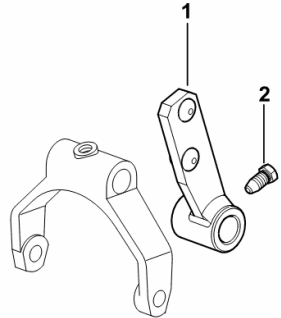
9\_D3238\_00\_0-B-001

Section: D0 - TRANSMISSION  
**CONTROL LEVER P.T.O.**

Fig.	Code	QTY	Name
------	------	-----	------

**Notes:**  
- FOR 540/N EXPORT U.S.A. [Agroplus S 90 (20") -> 8001]

1	0.012.0107.3	1	lever
2	2.0399.019.1	1	screw m 8 p.1 x 16



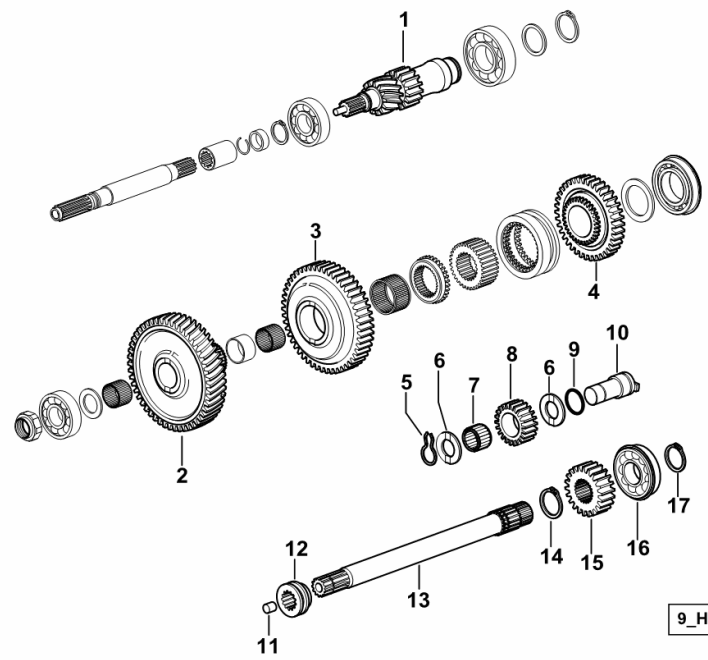
9\_I7436\_02\_0-A-001

**P.T.O. SHAFT 540 - 750 + SYNCRO**

Fig.	Code	QTY	Name
------	------	-----	------

**Notes:**  
 FOR TYPES WITH INSERTED OUTPUT SHAFTS [Agroplus S 90 (20") -> 8001]

1	0.011.9944.0/10	1	shaft Z = 11 / Z = 14 / Z = 18
2	0.011.9934.0	1	gear Z = 51
3	0.011.9938.0	1	gear Z = 52
4	0.014.3816.0	1	gear Z = 36 / Z = 32
5	2.1499.175.0/10	1	ring 25.5 x 1.5
6	2.1599.793.0	2	shoulder 32 x 50 x 4
7	2.2999.282.0	1	roller cage 28 x 38 x 25.5
8	0.013.8497.0	1	gear Z = 22
9	2.1530.079.0	1	'o' ring 29.82 x 2.62
10	0.014.1953.0	1	p.t.o.shaft
11	2.1555.206.0	1	bushing 12 x 14 x 15
12	0.008.5192.0/10	1	sleeve Z = 13, sx/lh/li
13	0.010.7697.0/10	1	p.t.o.shaft
14	2.1410.015.1	1	circlip 38
15	0.013.8505.0	1	gear Z = 23 / 18
16	2.2999.235.0	1	bearing 35 x 80 x 21
17	2.1410.014.1	1	circlip 35

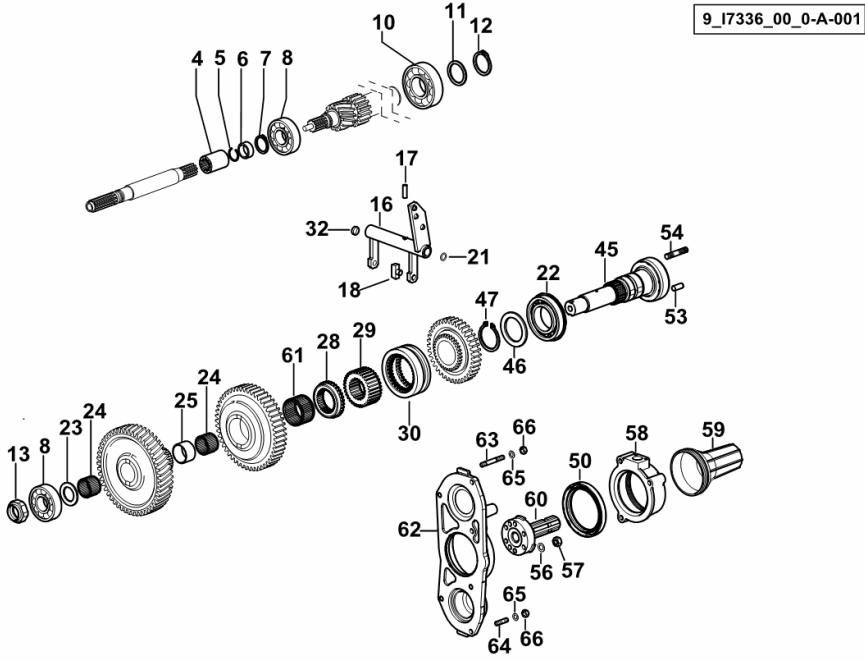


9\_H6036\_06\_0-A-001

**PTO - 3-SPEED WITH INSERTED END SHAFT 540-750-1000**

Fig.	Code	QTY	Name
------	------	-----	------

**Notes:**  
 - EXPORT U.S.A. [Agroplus S 90 (20") -> 8001]



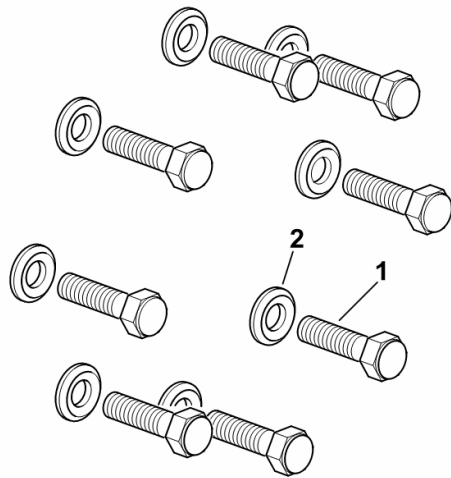
4	0.010.7696.0	1	sleeve Z = 11
5	2.1421.010.7	1	circlip 25
6	2.1549.172.0	1	spacer 24.7 x 31 x 12
7	2.1410.012.1	1	circlip 30
8	2.2999.300.0	2	bearing 30 x 72 x 19
10	2.2062.012.0	1	ball bearing 40 x 90 x 23
11	2.1599.414.0	1	snoulder 40 x 50 x 3.0
12	2.1410.016.1	1	circlip 40
13	2.1219.038.0/40	1	ring nut m 30 p.1.5
16	0.010.7710.3	1	fork
17	2.1631.712.0	1	pin 8x26
18	0.255.6463.0	2	shoe
21	2.1530.028.0	1	'o' ring 11.91 x 2.62
22	2.2999.204.0	1	bearing 50 x 90 x 20
23	2.1589.321.0	1	snoulder 30x47x3
24	2.2770.062.0	2	roller cage 35x40x27
25	0.010.7712.0	1	spacer
28	0.009.3830.3/10	1	gear Z = 32
29	0.010.7701.0	1	hub z=32 z=21
30	0.009.3822.0/20	1	sleeve Z = 32
32	2.3171.006.4	5	plug Ø 16
45	0.014.3780.0	1	shaft
46	2.1599.779.0	1	thrust plate 50x70x4
47	2.1412.019.7	1	circlip 50x3
50	2.1520.043.0	1	oil seal 85 x 110 x 12
53	2.1651.811.0	2	cylindrical plug 10x24
54	2.0432.161.7	6	stud bolt m 10 p.1.5 / p.1.25 x 40
56	2.1470.006.2	6	lock washer 10
57	2.1011.421.2	6	nut m 10 p.1.25
58	0.012.3831.0	1	flange
59	0.008.0757.0	1	guard
60	0.012.3833.0	1	p.t.o.shaft Z = 6
61	2.2999.363.0	1	roller cage
62	0.014.3683.0/10	1	cover
63	2.0422.215.7	2	stud bolt m 8 p.1.25 x 50
64	2.0422.203.7	5	stud bolt m 8 p.1.25 x 20
65	2.1470.004.2	7	washer 8
66	2.1011.105.2	7	nut m 8 p.1.25

Section: S0 - WHEELS  
**REAR WHEEL BOLTS**

Fig.	Code	QTY	Name
------	------	-----	------

Notes:  
[Agroplus S 90 (20") -> 8001]

1	2.0399.140.6	16	screw m 18 p.1.5 x 60
2	2.1599.501.6/10	16	washer 19 x 40 x 7.5



9\_52955\_02\_0-A-001

CLICK HERE TO **DOWNLOAD** THE COMPLETE MANUAL

- Thank you very much for reading the preview of the manual.
- You can download the complete manual from: [www.heydownloads.com](http://www.heydownloads.com) by clicking the link below



- Please note: If there is no response to CLICKING the link, please download this PDF first and then click on it.

CLICK HERE TO **DOWNLOAD** THE COMPLETE MANUAL