

Agroplus F 90 -> 3001

V0 - BALLAST, TOWING HITCHES

FRONT HITCHES

FRONT TOWING HITCH..... V0.01.0 (1)

REAR HITCHES

SPACER FOR TYPES WITH 2-SPEED P.T.O. WITH INSERTED END SHAFTS 540-750..... V0.02.0 (1)

SEPARATOR..... V0.02.1 (1)

SUPPORTS..... V0.02.2 (1)

SUPPORTS..... V0.02.3 (1)

PIN FOR REAR TOW HOOK..... V0.02.4 (1)

REAR TOWING HITCH..... V0.02.5 (1)

REAR SWINGING TOWING-HITCH..... V0.02.7 (1)

REAR TOWING HITCH BRACKET..... V0.02.8 (1)

REAR TOWING HITCH BRACKET..... V0.02.9 (1)

REAR TOWING HITCH CAT. " D "..... V0.02.10 (2)

REAR TOWING HITCH CAT. " D2 "..... V0.02.11 (1)

REAR TOWING HITCH CAT. " C "..... V0.02.12 (2)

REAR TOWING HITCH..... V0.02.13 (1)

AUTOMATIC REAR TOWING HITCH CEE Ø 31..... V0.02.14 (1)

AUTOMATIC REAR TOWING HITCH CEE Ø 31..... V0.02.14 (2)

REAR TOWING HITCH CEE..... V0.02.15 (1)

REAR TOWING HITCH CEE..... V0.02.16 (1)

DRAWBAR COUPLING CRAMER..... 0.012.6876.4.A

REAR TOWING HITCH CAT: "C"..... 0.014.4450.3.A

REAR TOWING HITCH CAT: "D"..... 0.014.4451.3.A

DRAWBAR COUPLING CAT: "D2"..... 0.014.4452.3/10.A

DRAWBAR COUPLING JH..... 0.014.4457.3.A

SLIDE..... 0.014.8203.3/20.A

DRAWBAR COUPLING Ø 31, kpl..... 0.014.8208.3.A

CHASSIS..... 0.014.8233.3.A

DRAWBAR COUPLING Ø 31, kpl..... 0.015.5754.3.A

FRONT BALLAST WEIGHTS

FRONT WEIGHT CARRIER..... V0.03.1 (1)

FRONT WEIGHT CARRIER..... V0.03.2 (1)

FRONT BALLAST Kg 176..... V0.03.3 (1)

FRONT BALLAST KG. 70..... V0.03.4 (1)

FRONT BALLAST Kg 80..... V0.03.5 (1)

FRONT BALLAST Kg 160..... V0.03.6 (1)

FRONT BALLAST KG. 250..... V0.03.7 (1)

BALLAST LOCK BAR mm 30x780..... V0.03.8 (1)

CLICK HERE TO **DOWNLOAD** THE COMPLETE MANUAL

- Thank you very much for reading the preview of the manual.
- You can download the complete manual from: www.heydownloads.com by clicking the link below



- Please note: If there is no response to CLICKING the link, please download this PDF first and then click on it.

CLICK HERE TO **DOWNLOAD** THE COMPLETE MANUAL

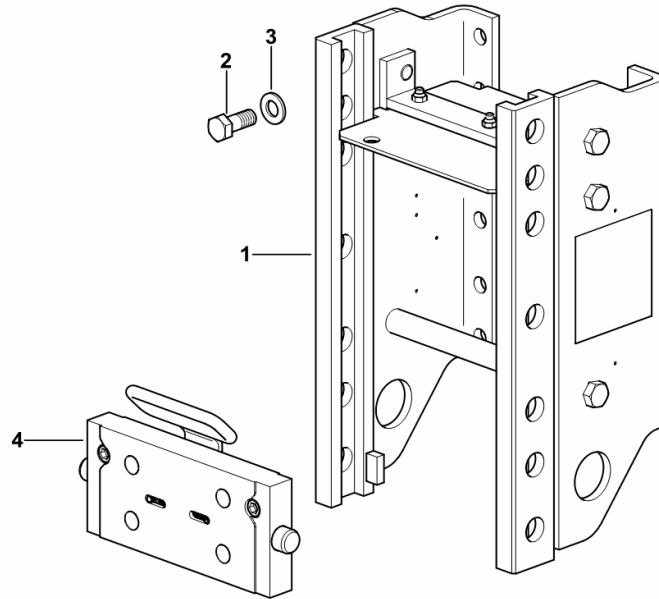
REAR TOWING HITCH BRACKET

Fig.	Code	QTY	Name
------	------	-----	------

Notes:

[Agroplus F 90 -> 3001] -> 3008

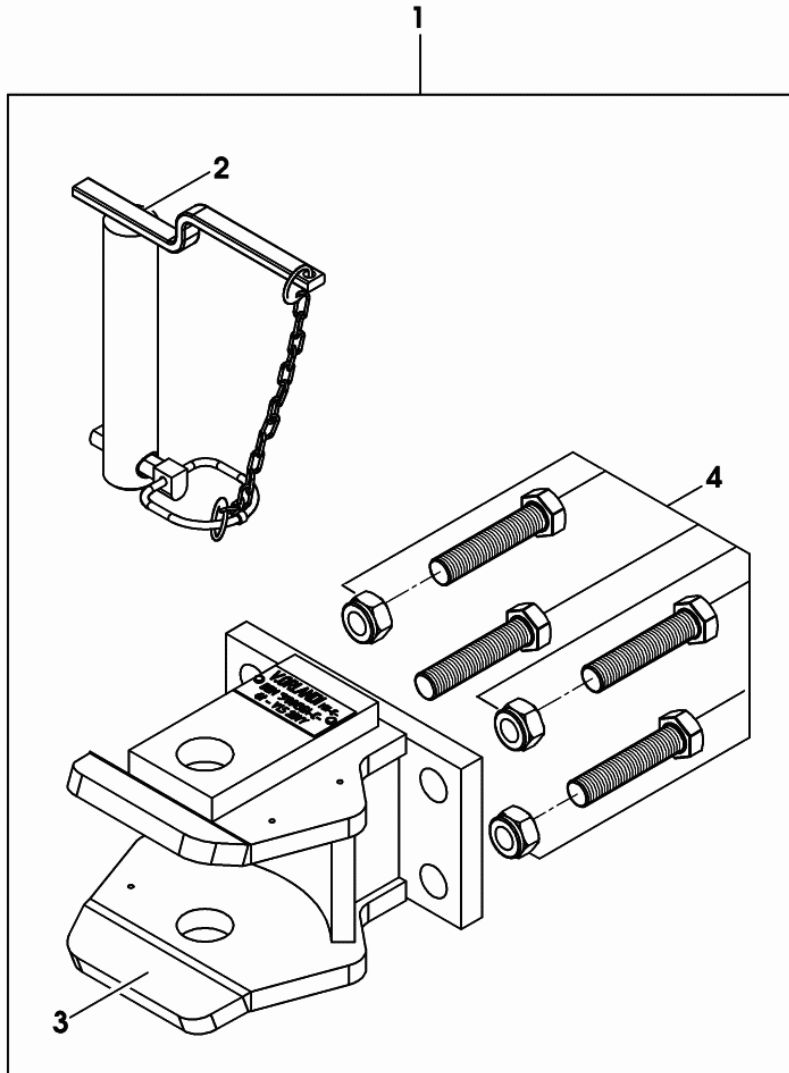
1	0.015.5748.3/10	1	chassis frame V.ORLANDI
2	2.0113.615.2	12	screw m 16 p.2 x 40
3	2.1475.006.2	12	washer 16
4	0.015.5751.3/10	1	plate V.ORLANDI



9_H2831_70_0-A-001

REAR TOWING HITCH CAT: "C"

Fig.	Code	QTY	Name
1	0.014.4450.3	1	tow hook V.ORLANDI CAT. " C "
2	0.900.0457.9	1	pin
3	0.000.0000.1	0	not serviceable
4	0.900.0458.0	1	screw m 18, kit



0_014_4450_3

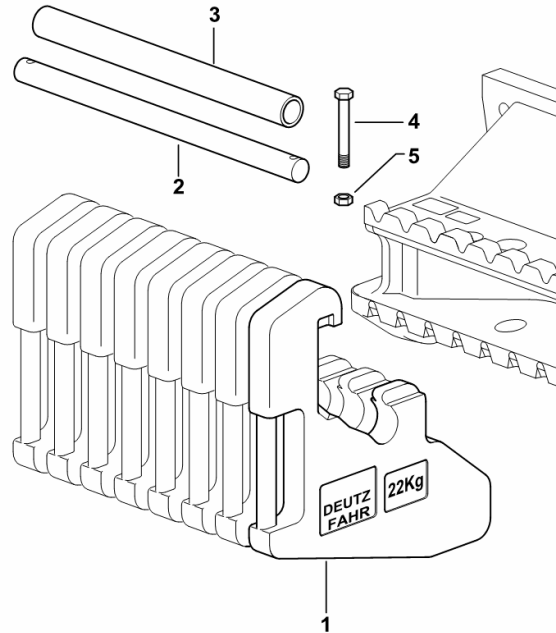
FRONT BALLAST Kg 176

Fig.	Code	QTY	Name
------	------	-----	------

Notes:

[Agroplus F 90 -> 3001] 3005 <-

1	0.010.5447.0/10	8	ballast 22 Kg
2	0.011.5549.0	1	pin 32x384
3	0.011.5554.0	1	tube
4	2.0112.331.2	2	screw m 10 p.1.5x110
5	2.1019.136.2	2	nut m 10



9_78552_40_0-A-001

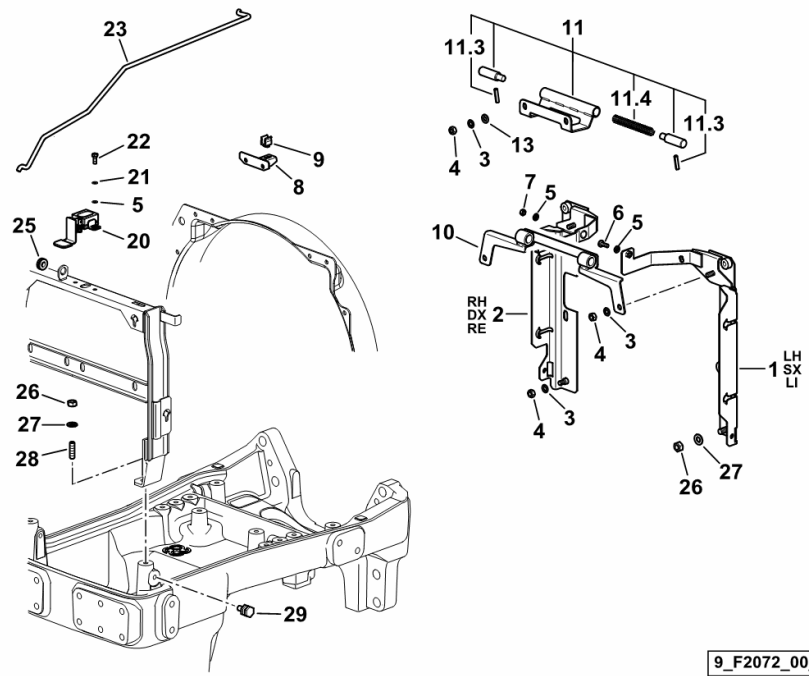
CONNECTING PIPING.....	G0.09.6 (1)
HEATING SYSTEM.....	G0.09.9 (1)
COMPRESSOR.....	G0.09.11 (1)
COMPRESSOR SUPPORTS.....	G0.09.12 (1)
COMPRESSOR PIPES.....	G0.09.14 (1)
SPIN-ON FILTER.....	0.007.6265.4/20.A
COMPRESSOR-PARTS.....	0.007.7197.4.A
ENGAGEMENT.....	0.009.7202.4/20.A
ENGAGEMENT.....	0.009.7203.4/20.A
VENTILATION - HEATING.....	0.009.8274.4/10.A
AIR-CONDITIONING HEATING.....	0.010.0001.4/10.A
MECHANICAL CLUTCH CONTROLS	
CLUTCH CONTROL.....	G0.10.0 (1)
MECHANICAL BRAKE CONTROLS	
BRAKE CONTROLS.....	G0.11.0 (1)
HAND BRAKE.....	G0.11.2 (1)
HAND BRAKE.....	G0.11.3 (1)
TRAILER HANDBRAKE CONTROL CABLE ITALY.....	G0.11.4 (1)
HANDBRAKE BRACKET FOR TRAILER.....	G0.11.5 (1)
MECHANICAL - ELECTRONIC THROTTLE CONTROLS	
THROTTLE.....	G0.12.0 (1)
HAND CONTROL FOR ELECTRONIC THROTTLE.....	G0.12.1 (1)
ELECTRONIC ACCELERATOR CONTROL.....	G0.12.2 (1)
STEERING CONTROLS	
STEERING WHEEL CAP.....	G0.13.3 (1)
STEERING COLUMN.....	G0.13.4 (1)
STEERING COLUMN.....	G0.13.5 (1)
MECHANICAL GEARSHIFT CONTROLS	
GEAR SHIFTING.....	G0.14.0 (1)
GEAR SHIFTING.....	G0.14.1 (1)
DRIVE INTERMEDIATE GEARS.....	G0.14.7 (1)
REDUCTION GEAR CONTROL.....	G0.14.8 (1)
REDUCTION GEAR CONTROL.....	G0.14.10 (1)
PTO CONTROLS	
P.T.O. - EXTERNAL CONTROLS 540 - 750 + SYNCRO.....	G0.16.0 (1)
P.T.O. - EXTERNAL CONTROLS 540-750.....	G0.16.1 (1)
P.T.O. - EXTERNAL CONTROLS 540-750-1000.....	G0.16.2 (1)
P.T.O. - EXTERNAL CONTROLS 540/N.....	G0.16.3 (1)
P.T.O. SHAFT DRIVE.....	G0.16.4 (1)
P.T.O. SHAFT DRIVE.....	G0.16.5 (1)
P.T.O.-SYNCHRONIZED CONTROL.....	G0.16.6 (1)
LIFT CONTROLS	
LIFT CONTROL LEVERS.....	G0.17.0 (1)
LIFT CONTROL LEVERS.....	G0.17.1 (1)

HOOD SUPPORT

Fig.	Code	QTY	Name
------	------	-----	------

Notes:

[Agroplus F 90 -> 3001]



1	0.013.9446.3/10	1	chassis frame sx/lh/li
2	0.013.9444.3/10	1	chassis frame dx/rh/re
3	2.1470.004.2	4	washer 8
4	2.1011.105.2	4	nut m 8 p.1.25
5	2.1310.002.2	4	washer 6.6, d125
6	2.0330.406.2	1	screw m 6 p.1.0 x 16
7	2.1011.103.2	1	nut m 6 p.1
8	0.013.4111.2	1	bracket
9	0.010.0351.0	1	small spring
10	0.014.5551.2/10	1	support
11	0.014.5563.4	1	bracket
11.3	2.1630.612.0	2	roll pin 6 x 28
11.4	2.4019.201.1	1	spring
13	2.1310.004.2	2	flat washer 8.5
20	0.014.0544.4/20	1	small block
21	2.1470.002.2	2	washer 6, d128
22	2.0112.005.2	2	screw m 6 p.1 x 16
23	0.014.0519.0	1	top link
25	2.6560.004.0	1	wire guide 10x2.5
26	2.1011.106.2	4	nut m 10 p.1.5
27	2.1310.006.2	4	flat washer 10.5
28	2.0422.303.2	2	stud bolt m 10 p.1.5 x 20
29	0.010.1383.0	2	screw m 10

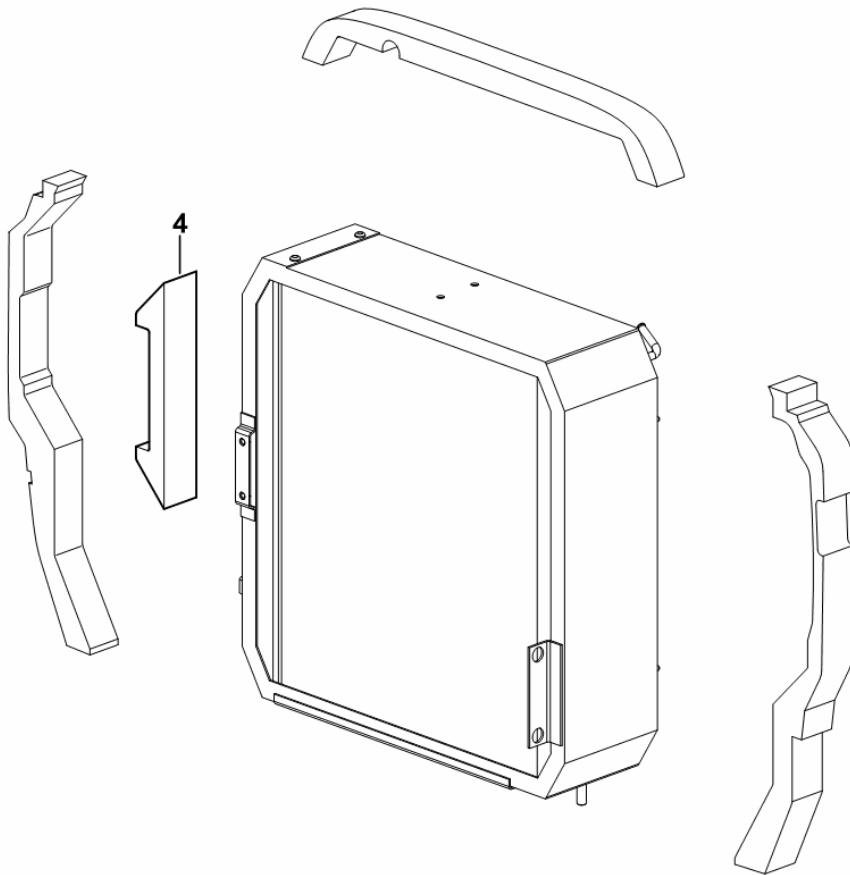
ENGINE HOOD GASKETS

Fig.	Code	QTY	Name
------	------	-----	------

Notes:

[Agroplus F 90 -> 3001]

4	0.013.4026.0/20	1	gasket dx/rh/re
---	-----------------	---	-----------------



9_F9072_02_0-A-001

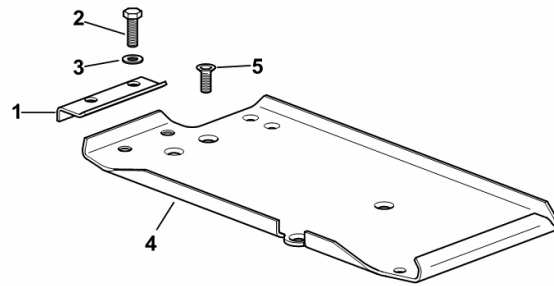
BATTERY SUPPORT

Fig.	Code	QTY	Name
------	------	-----	------

Notes:

[Agroplus F 90 -> 3001] -> 3075

1	0.016.7492.0	1	plate
2	2.0112.213.2	2	screw m 8 p.1.25 x 35
3	2.1310.004.2	2	flat washer 8.5
4	0.010.8251.3/20	1	battery support
5	2.0342.303.6	3	screw m 8 p. 1.25x16



9_70573_00_0-A-002

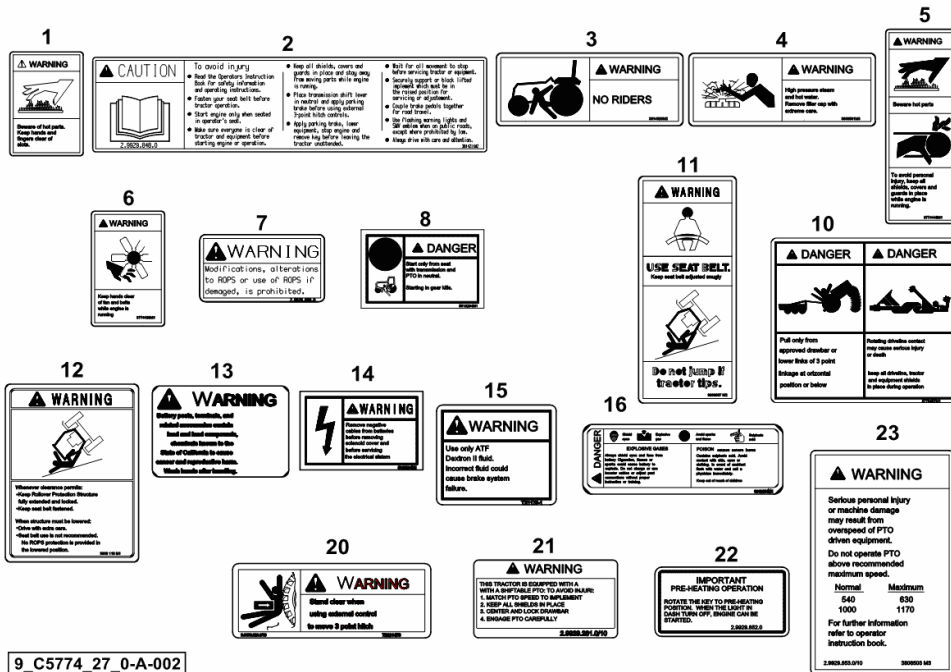
Section: G0 - BODYWORK - CAB
PLATES

Fig.	Code	QTY	Name
------	------	-----	------

Notes:

- EXPORT U.S.A. [Agroplus F 90 -> 3001] -> 3034

1	2.9929.847.0	1	plate
2	2.9929.848.0/10	1	plate
3	2.9929.793.0	1	plate
4	2.9929.792.0	1	plate
5	2.9929.791.0	2	LIQUID TANK
6	2.9929.794.0	2	plate
7	2.9929.699.0/10	2	plate
8	2.9929.854.0	1	plate
			- STARTER MOTOR
10	2.9929.856.0	1	plate
			P.T.O. / 3-POINT LINKAGE
11	2.9929.857.0	1	plate
			SEAT BELTS
12	2.9929.858.0	1	plate
			SEAT BELTS
13	2.9929.754.0	1	plate
			BATTERY
14	2.9929.860.0	1	plate
15	2.9929.861.0	1	plate
			BRAKE FLUID LEVEL
16	2.9929.862.0	1	plate
			BATTERY
20	2.9929.282.0/20	1	plate
			REAR LIFT
21	2.9929.281.0/10	1	plate
			P.T.O. COUPLING
22	2.9929.852.0/10	1	plate
			PREHEATING
23	2.9929.853.0/10	1	plate



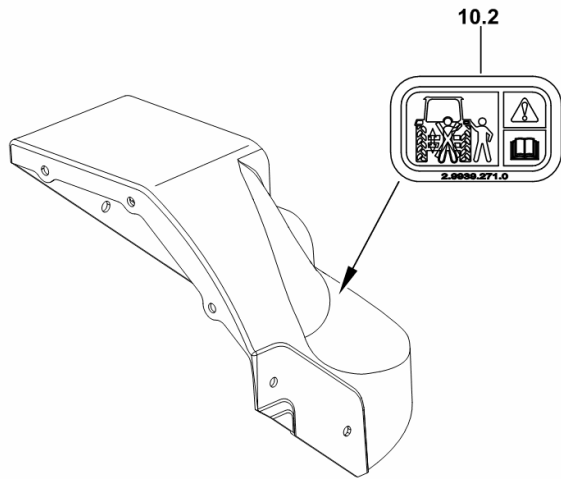
REAR LIFT MOVEMENT WARNING LABEL DX/RH/RE

Fig.	Code	QTY	Name
------	------	-----	------

Notes:

- FOR TYPES WITH ELECTRONIC LIFTER [Agroplus F 90 -> 3001]

10.2	2.9939.271.0	1	plate
------	--------------	---	-------



9_F1659_54_0-D-001

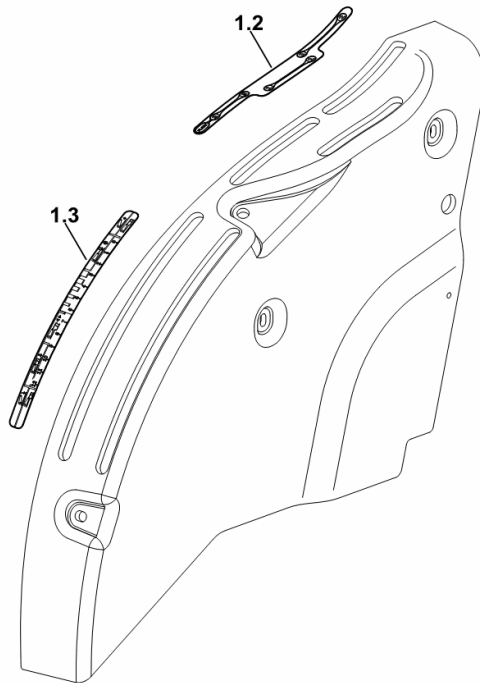
RH CONSOLE IDENTIFICATION PLATES

Fig.	Code	QTY	Name
------	------	-----	------

Notes:

- FOR TYPES WITH MECHANICAL LIFT AND 28" PLATFORM [Agroplus F 90 -> 3001] -> 3013

1.2	0.015.3713.0/10	1	plate
1.3	0.015.3784.0	1	plate



9_I7459_52_0-C-001

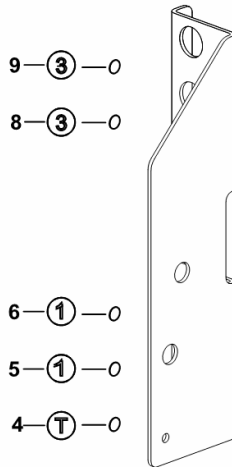
IDENTIFICATION PLATES FOR CENTRAL SOCKETS 4+1

Fig.	Code	QTY	Name
------	------	-----	------

Notes:

- FOR TYPES WITH SAFETY FRAME [Agroplus F 90 -> 3001]

4	2.9929.748.0	1	plate T - YELLOW
5	2.9929.412.0	1	plate 1 - YELLOW
6	2.9929.739.0	1	plate 1 - RED
8	2.9929.414.0	1	plate 3 - YELLOW
9	2.9929.741.0	1	plate 3 - RED



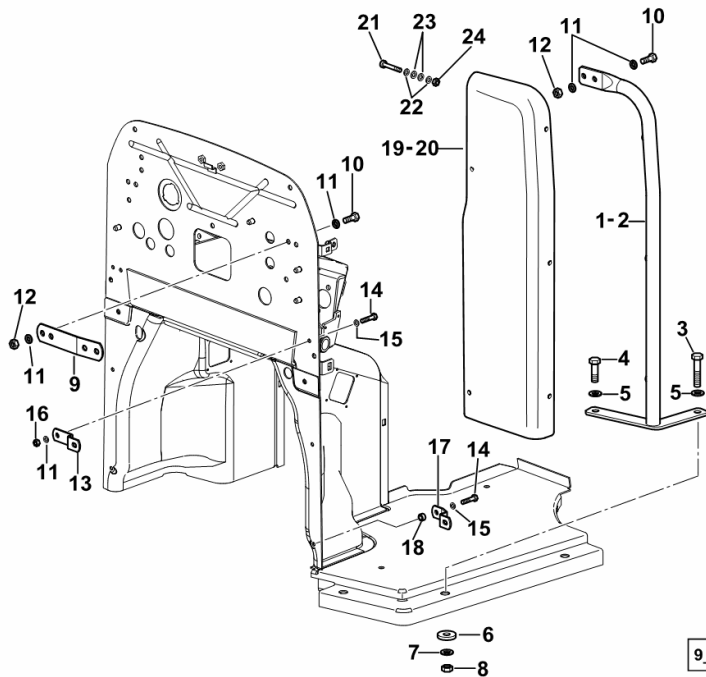
9_F7188_09_0-B-001

Section: G0 - BODYWORK - CAB
DEFLECTOR SX/LH/LI - DX/RH/RE

Fig.	Code	QTY	Name
------	------	-----	------

Notes:
 [Agroplus F 90 -> 3001]

1	0.013.4089.3	1	support dx/rh/re
2	0.013.4088.3	1	support sx/lh/li
3	2.0112.319.2	2	screw m 10 p.1.5 x 50
4	2.0112.311.2	2	screw m 10 p.1.5 x 30
5	2.1310.006.2	4	flat washer 10.5
6	2.1599.599.2	4	washer 10.5x30x5
7	2.1470.006.2	4	lock washer 10
8	2.1011.106.2	4	nut m 10 p.1.5
9	0.013.4082.0	2	bracket
10	2.0112.207.2	8	screw m 8 p 1.25 x 20
11	2.1310.004.2	16	flat washer 8.5
12	2.1011.105.2	8	nut m 8 p.1.25
13	0.013.4083.0/10	2	bracket
14	2.0112.009.2	4	screw m 6 p.1 x 25
15	2.1310.002.2	6	washer 6.6, d125
16	2.1011.103.2	2	nut m 6 p.1
17	0.013.4084.0/10	2	bracket
18	2.1549.009.2	2	spacer 7x11x5.5
19	0.013.4087.0/10	1	baffle dx/rh/re
20	0.013.4086.0/10	1	baffle sx/lh/li
21	2.0332.408.2	10	screw m 6 x 25
22	2.1312.003.2	20	washer 6
23	2.1569.165.0	20	gasket 7x15
24	2.1011.103.2	4	nut m 6 p.1



9_B6174_03_0-A-001

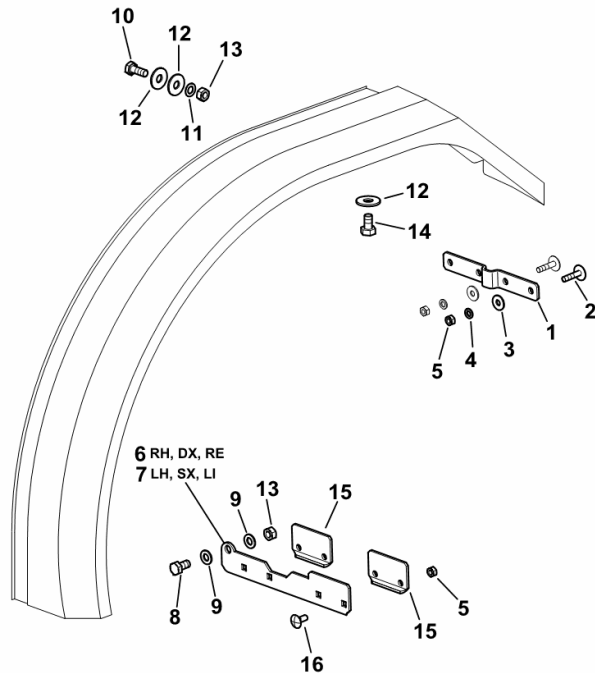
REAR FENDERS EXTENSION FIXINGS

Fig.	Code	QTY	Name
------	------	-----	------

Notes:

[Agroplus F 90 -> 3001]

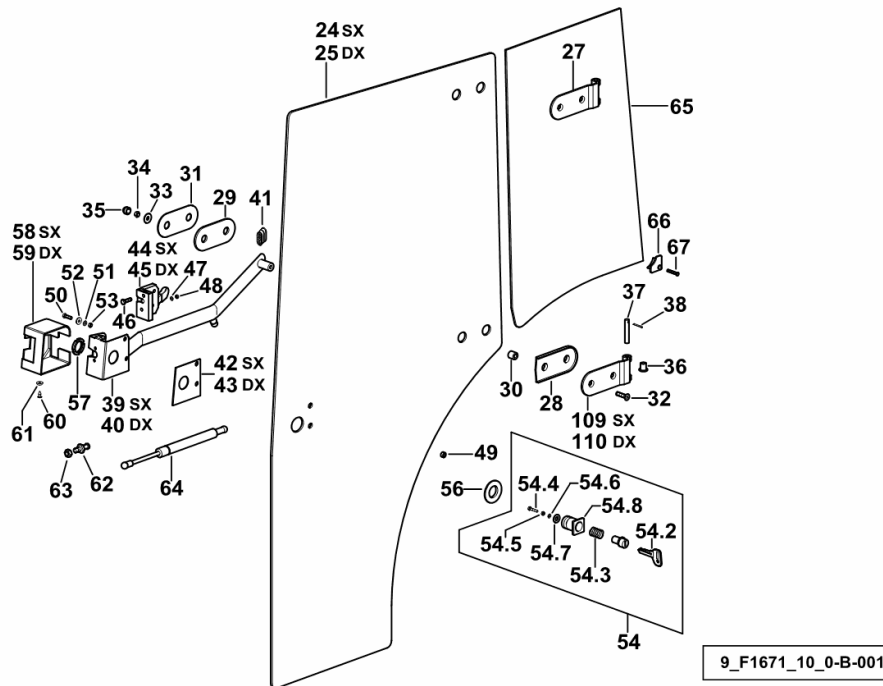
1	0.470.7652.0	2	small plate
2	2.0099.014.0/20	4	screw m 6 x 25
3	2.1569.140.0	4	gasket 6.4x17x1.5
4	2.1470.002.2	4	washer 6, d128
5	2.1011.103.2	12	nut m 6 p.1
6	0.013.6356.0/10	1	bracket dx/rh/re
7	0.013.6357.0/10	1	bracket sx/lh/li
8	2.0112.205.2	2	screw m 8 p.1.25 x 16
9	2.1310.004.2	6	flat washer 8.5
10	2.0112.207.2	4	screw m 8 p 1.25 x 20
11	2.1470.004.2	2	washer 8
12	2.1312.004.2	18	washer 8.4
13	2.1011.105.2	6	nut m 8 p.1.25
14	2.0112.204.2	12	screw m 8 p.1.25x14
15	0.012.7024.0/10	4	small plate
16	2.0020.103.2	8	screw m 6 p.1 x 16



9_B6176_26_0-A-001

GLASSES AND SEALS SX/LH/LI - DX/RH/RE

Fig.	Code	QTY	Name
60	2.1899.075.0	2	button 6.5x14.5
61	0.9200.358.0	2	washer 5.4x10x15.8
62	0.008.3738.0/10	2	contact surface
63	2.1011.406.2	2	nut m 10 p.1
64	0.008.2737.3	2	shoch.absorber
65	0.009.8624.0/10	2	window glass
66	0.008.2738.0/30	8	small block
67	2.0352.560.6	8	screw 4.8x38
109	0.012.8596.3/10	1	hinge sx/lh/li
110	0.012.8621.3/10	1	hinge dx/rh/re



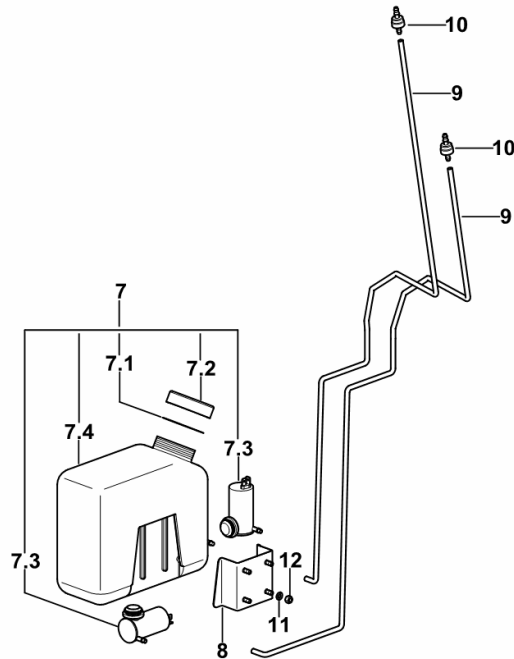
SCREEN WASH SYSTEM

Fig.	Code	QTY	Name
------	------	-----	------

Notes:

[Agroplus F 90 -> 3001] -> 3040

7	0.007.7785.4	1	cup
7.1	0.9241.568.1	1	gasket
7.2	0.9241.567.1	1	plug
7.3	0.9241.566.1	2	electropump
7.4	0.9241.565.1	1	tank
8	0.015.3381.3	1	bracket
9	0.011.3963.0	2	tube
10	0.9231.559.0	2	pipe fitting
11	2.1310.001.2	4	flat washer 5.3
12	2.1011.002.2	4	nut m 5x0.8



9_F1671_26_0-B-001

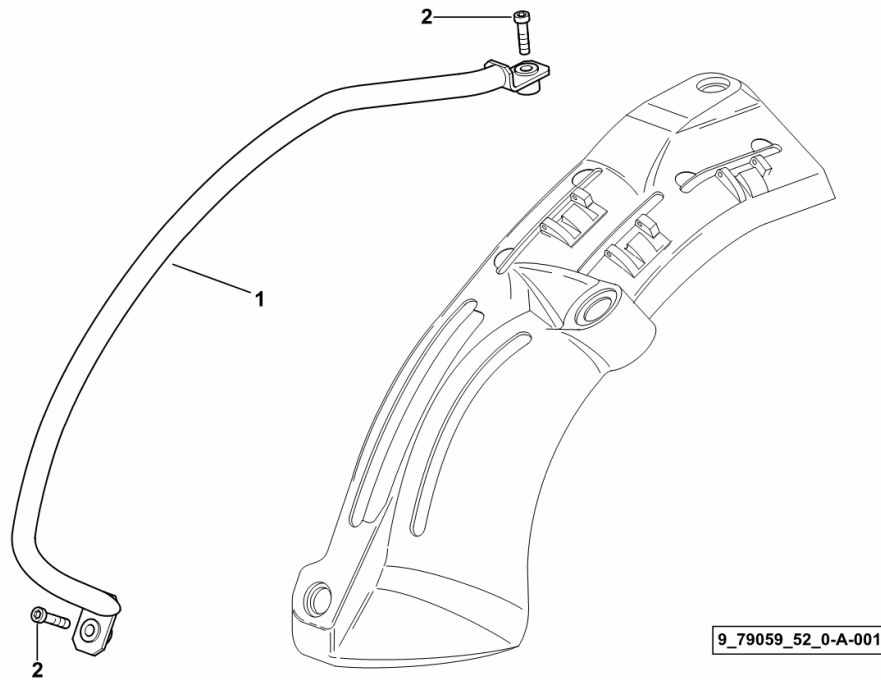
CONSOLE HANDLE DX/RH/RE

Fig.	Code	QTY	Name
------	------	-----	------

Notes:

- FOR MODELS WITHOUT CAB [Agroplus F 90 -> 3001]

1	0.010.5122.3	1	handle
2	2.0312.212.3	2	screw m 8 x 35



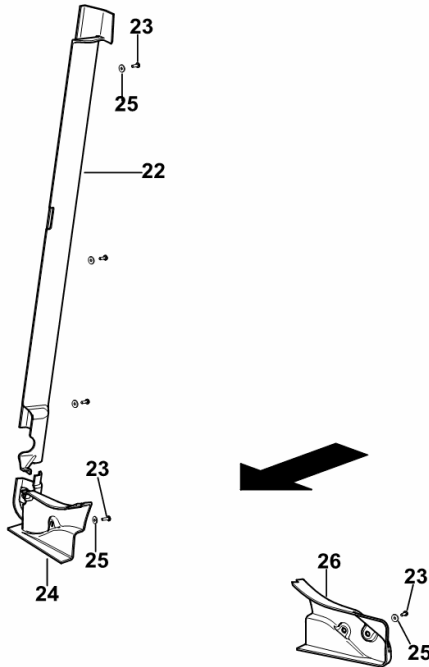
CAB INTERIOR TRIM

Fig.	Code	QTY	Name
------	------	-----	------

Notes:

[Agroplus F 90 -> 3001] 3038 <-

22	0.015.2289.0/10	1	cover dx/rh/re
23	2.0332.204.3	7	screw m 4 p.0.7 x 12
24	0.015.2288.0/10	1	cover dx/rh/re
25	2.1312.001.3	7	washer 4
26	0.015.2287.0/10	1	cover sx/lh/li



9_F1671_25_0-B-001

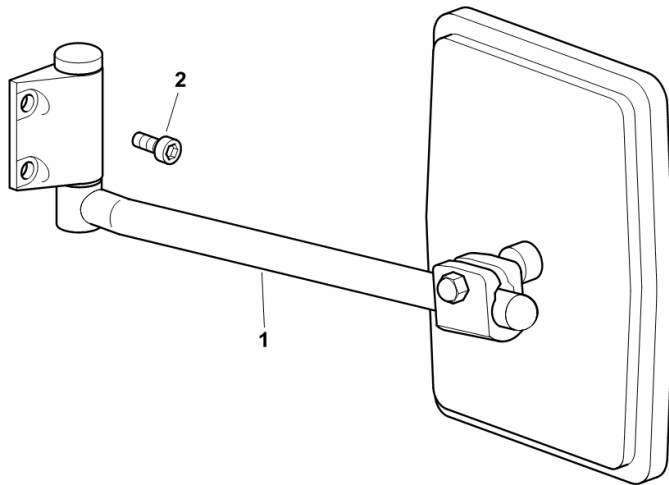
REARVIEW MIRROR DX/RH/RE

Fig.	Code	QTY	Name
------	------	-----	------

Notes:

- FOR TYPES WITH SAFETY FRAME [Agroplus F 90 -> 3001]

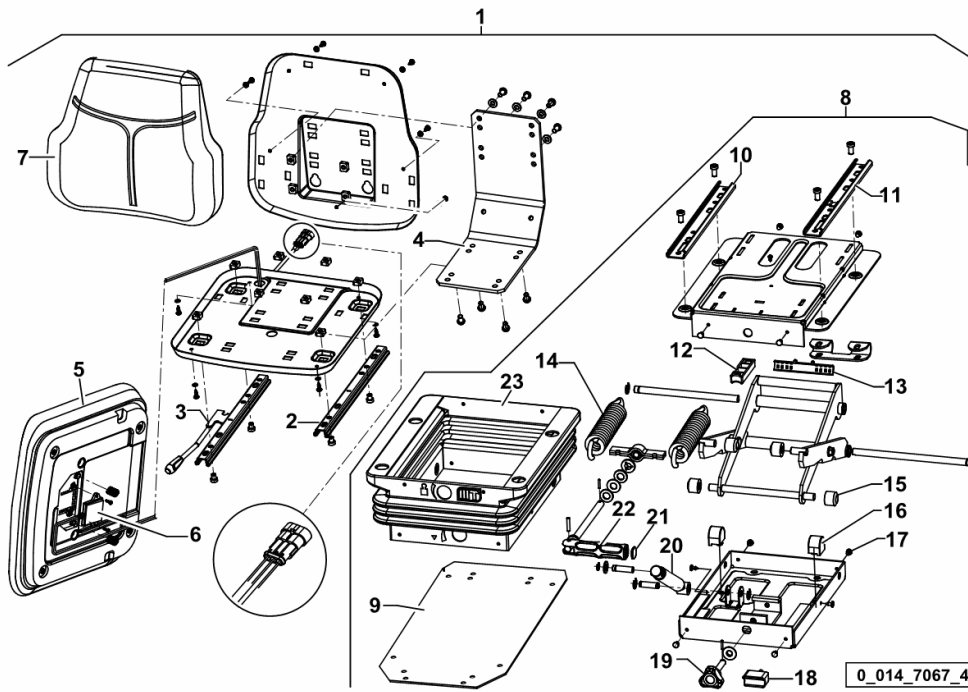
1	0.9234.147.4/10	1	rear view mirror sx/lh/li ☞ 0.9234.147.4/10
2	2.0312.206.2	2	screw m 8 p 1.25 x 20



9_21076_70_0-A-001

SEAT-COMPONENTS

Fig.	Code	QTY	Name
1	0.014.7067.4	1	seat
2	0.010.3019.1	1	seat guide sx/lh/li
3	0.010.3019.0	1	seat guide dx/rh/re
4	0.010.3018.2	1	plate
5	0.900.0523.2	1	cushion
6	0.900.0522.8	1	sensor
7	0.900.0523.1	1	backrest
8	0.900.0523.3	1	seat springs M200
9	0.012.6131.0	1	plate
10	0.010.3020.0	1	seat guide dx/rh/re
11	0.010.3020.1	1	seat guide sx/lh/li
12	0.900.0516.2	1	small block
13	0.900.0516.7	1	bracket
14	0.900.0516.1	1	spring
15	0.010.3167.2	4	roller
16	0.900.0516.8	2	small cap
17	0.010.3021.2	11	plug
18	0.900.0517.0	1	small block
19	0.900.0516.6	1	knob
20	0.900.0516.5	1	small piston
21	0.900.0516.4	1	plug
22	0.900.0516.3	1	lever
23	0.900.0516.9	1	guard



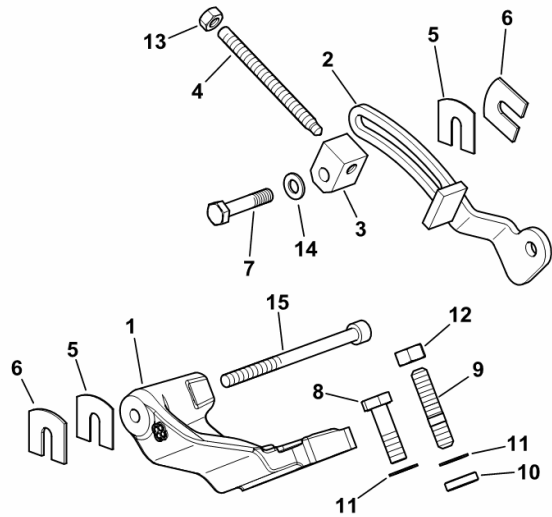
COMPRESSOR SUPPORTS

Fig.	Code	QTY	Name
------	------	-----	------

Notes:

[Agroplus F 90 -> 3001]

1	0.013.7604.0	1	support
2	0.013.6683.2	1	bracket
3	0.010.7207.0	1	small block Ø 8
4	2.0399.221.2	1	screw m 8 p.1.25 x 95
5	0.009.7981.0	2	shim mm 1.00
6	0.009.7982.0	2	shim mm 2.00
7	2.0112.215.2	1	screw m 8 p.1.25 x 40
8	2.0112.313.2	1	screw m 10 p.1.5 x 35
9	2.0432.159.7	2	stud bolt m 10 p.1.5 / p.1.25 x 35
10	2.1579.901.2	2	spacer 12x20x5
11	2.1470.006.2	3	lock washer 10
12	2.1011.421.2	2	nut m 10 p.1.25
13	2.1011.105.2	1	nut m 8 p.1.25
14	2.1310.004.2	1	flat washer 8.5
15	2.0112.229.2	1	screw m 8 p.1.25 x 100



9_B6184_08_0-A-001

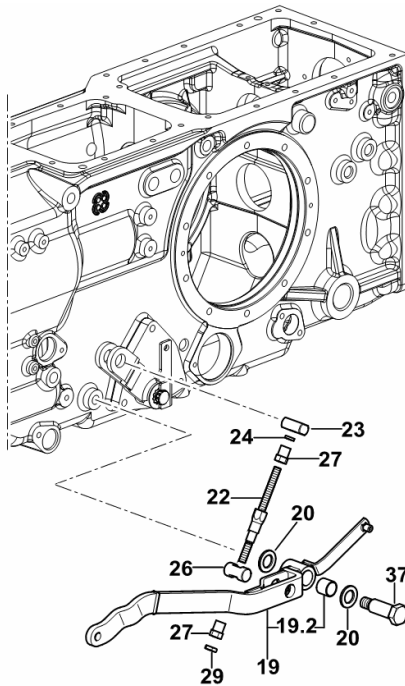
HAND BRAKE

Fig.	Code	QTY	Name
------	------	-----	------

Notes:

[Agroplus F 90 -> 3001]

19	0.014.9307.3/10	1	h/brake lever
19.2	2.1555.311.0	2	bushing 20x23x20
20	2.1311.012.2	2	flat washer 20
22	0.010.4464.0/10	1	rod
23	0.010.6407.0	1	pin
24	2.1579.007.2	1	spacer 10x14x3.5
26	0.010.4579.0/10	1	pin
27	2.1099.140.2/10	2	nut m 10
29	2.1011.206.2	1	nut m 10 p.1.5
37	0.010.6095.0/20	1	pin



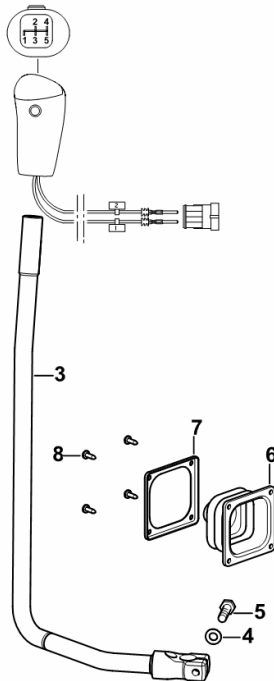
GEAR SHIFTING

Fig.	Code	QTY	Name
------	------	-----	------

Notes:

- FOR TYPES WITH MINREDUCTION [Agroplus F 90 -> 3001]

3	0.014.4570.3/10	1	gear lever
4	2.1310.004.2	1	flat washer 8.5
5	2.0112.211.2	1	screw m 8 p.1.25 x 30
6	0.010.4504.0/10	1	bellows
7	0.010.4505.0	1	lamination
8	2.0350.454.3	4	screw m 4.2 x 13 -AB-



9_F2064_02_0-A-001

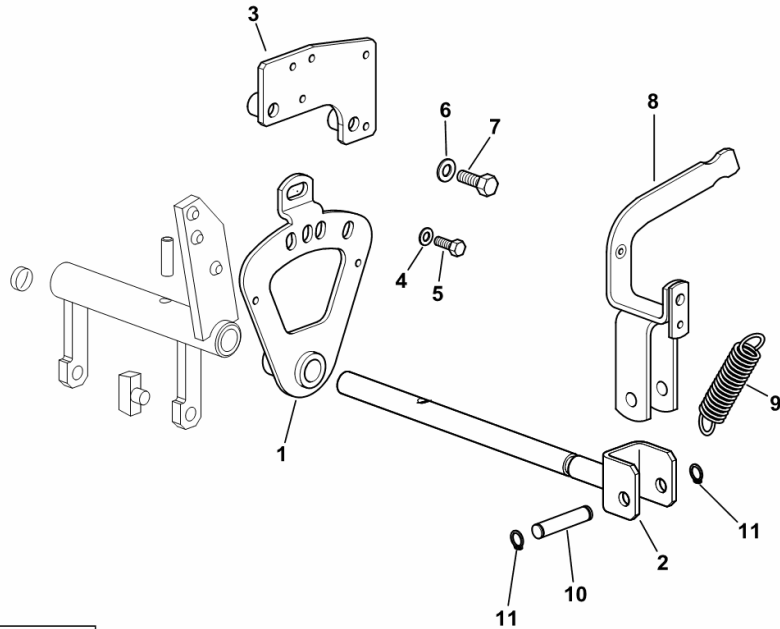
P.T.O. SHAFT DRIVE

Fig.	Code	QTY	Name
------	------	-----	------

Notes:

540/750/1000 [Agroplus F 90 -> 3001] 540/750 + SYNCRO [Agroplus F 90 -> 3001] 540/750/1000 - EXPORT U.S.A. [Agroplus F 90 -> 3001]

1	0.010.5069.2/20	1	plate
2	0.011.6377.3	1	lever
3	0.012.0108.2	1	bracket
4	2.1312.003.2	1	washer 6
5	2.0112.005.2	1	screw m 6 p.1 x 16
6	2.1310.004.2	1	flat washer 8.5
7	2.0112.211.2	1	screw m 8 p.1.25 x 30
8	0.011.6374.3	1	lever
9	2.4049.071.2	1	spring 19 x 52 x 2
10	2.1699.488.2	1	pin
11	2.1410.001.1	2	circlip 10



9_B6136_02_0-A-001

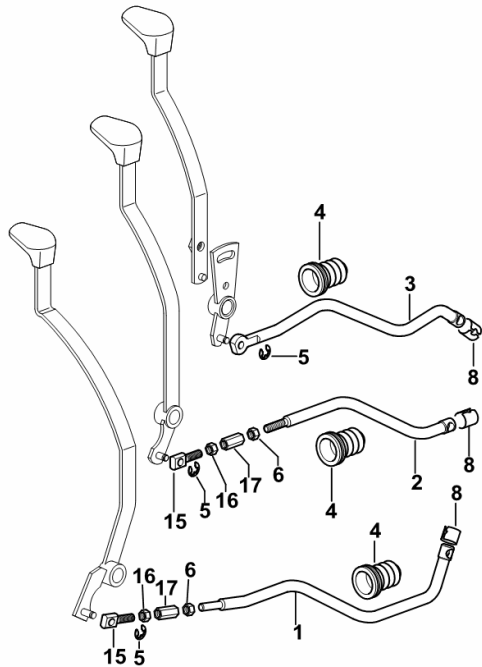
CONTROLS FOR 6-WAY AUXILIARY SERVICES CONTROL VALVE

Fig.	Code	QTY	Name
------	------	-----	------

Notes:

- FOR TYPES WITH CAB AND MECHANICAL LIFT [Agroplus F 90 -> 3001]

1	0.013.5082.0	1	rod
2	0.013.5077.0	1	rod
3	0.013.5075.0	1	rod
4	0.013.3229.0	3	bellows
5	2.1430.007.2	3	circlip 6, d128
6	2.1011.105.2	2	nut m 8 p.1.25
8	0.257.6757.0	3	spring
15	0.012.6541.0	2	terminal m 8
16	2.1019.127.2	2	nut m 8 p.1.25 x 6.8, sx/lh/li
17	2.1099.156.2	2	special nut m 8



9_D4188_36_0-A-001

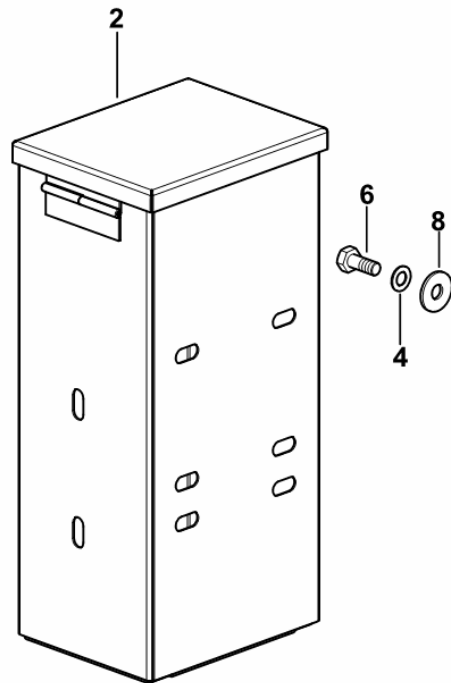
METAL TOOLBOX

Fig.	Code	QTY	Name
------	------	-----	------

Notes:

- FOR TYPES WITH FRONT AUXILIARY CONTROL VALVE [Agroplus F 90 -> 3001]

2	0.467.7317.3/70	1	metal toolbox
4	2.1470.004.2	4	washer 8
6	2.0132.006.2	4	screw m 8 p.1.25 x 20
8	2.1312.004.2	4	washer 8.4




9_F1673_06_0-A-001

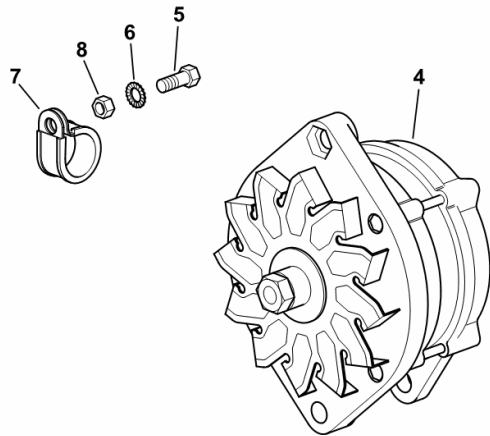
Section: L0 - ELECTRIC AL SYSTEM
ALTERNATOR 14V - 65A - ISKRA

Fig.	Code	QTY	Name
------	------	-----	------

Notes:

- FOR TRACTORS WITHOUT AIR CONDITIONING [Agroplus F 90 -> 3001]

4	2.9439.420.0/10	1	alternator 14V - 65A - ISKRA  2.9439.420.0/10
5	2.0112.005.2	1	screw m 6 p.1 x 16
6	2.1472.003.2	1	washer 6, d128
7	2.6839.053.0	1	clamp Ø 17/15
8	2.1011.103.2	1	nut m 6 p.1



9_64884_07_0-A-001

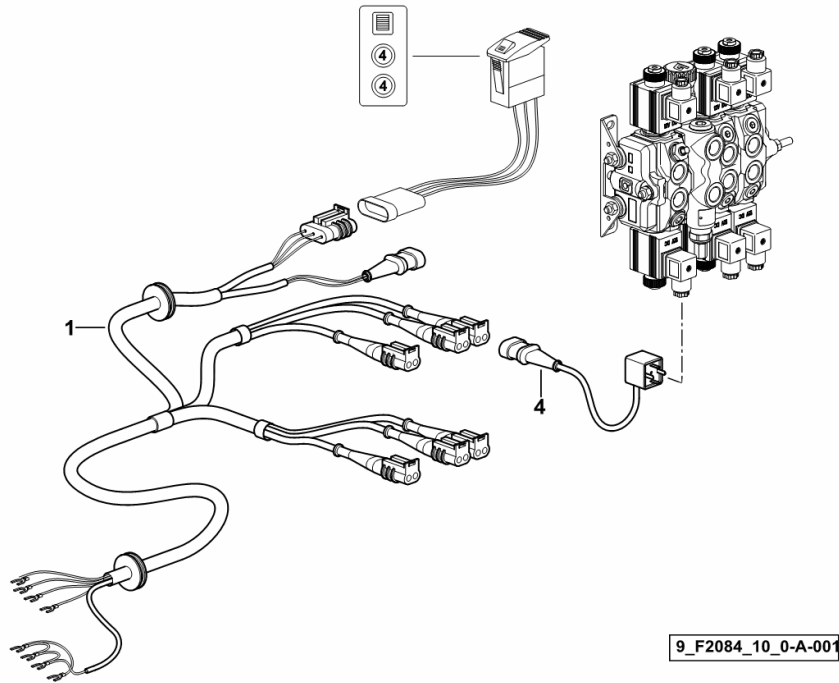
ELECTRICAL SYSTEM FOR 6-WAY FRONT CONTROL VALVE

Fig.	Code	QTY	Name
------	------	-----	------

Notes:

[Agroplus F 90 -> 3001]

1	0.014.4784.4	1	electrical system
4	0.010.4795.3/10	6	wire mm 200



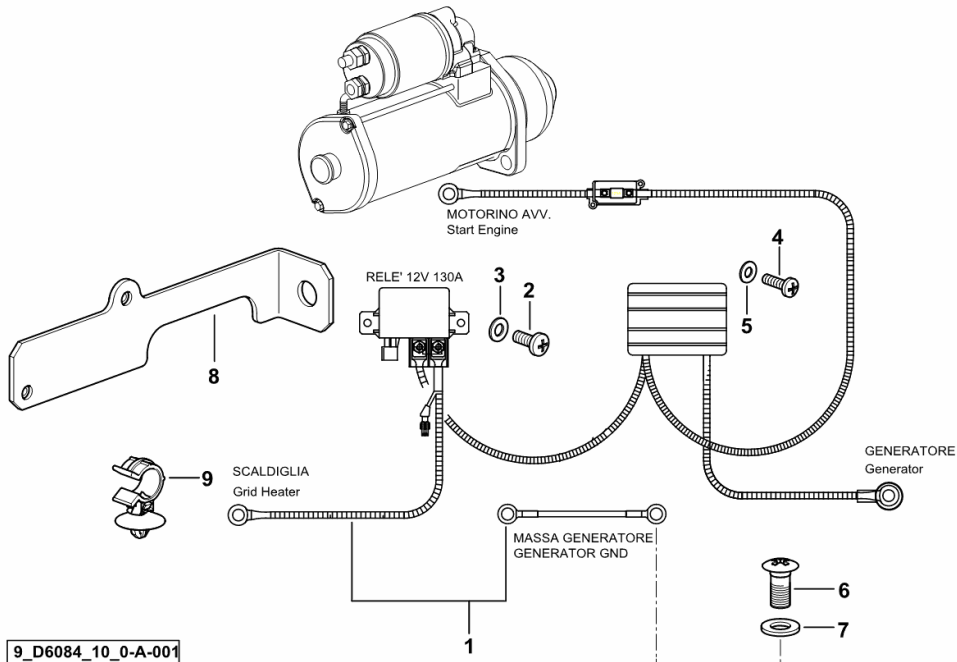
POWER SUPPLY ELECTRICAL SYSTEM

Fig.	Code	QTY	Name
------	------	-----	------

Notes:

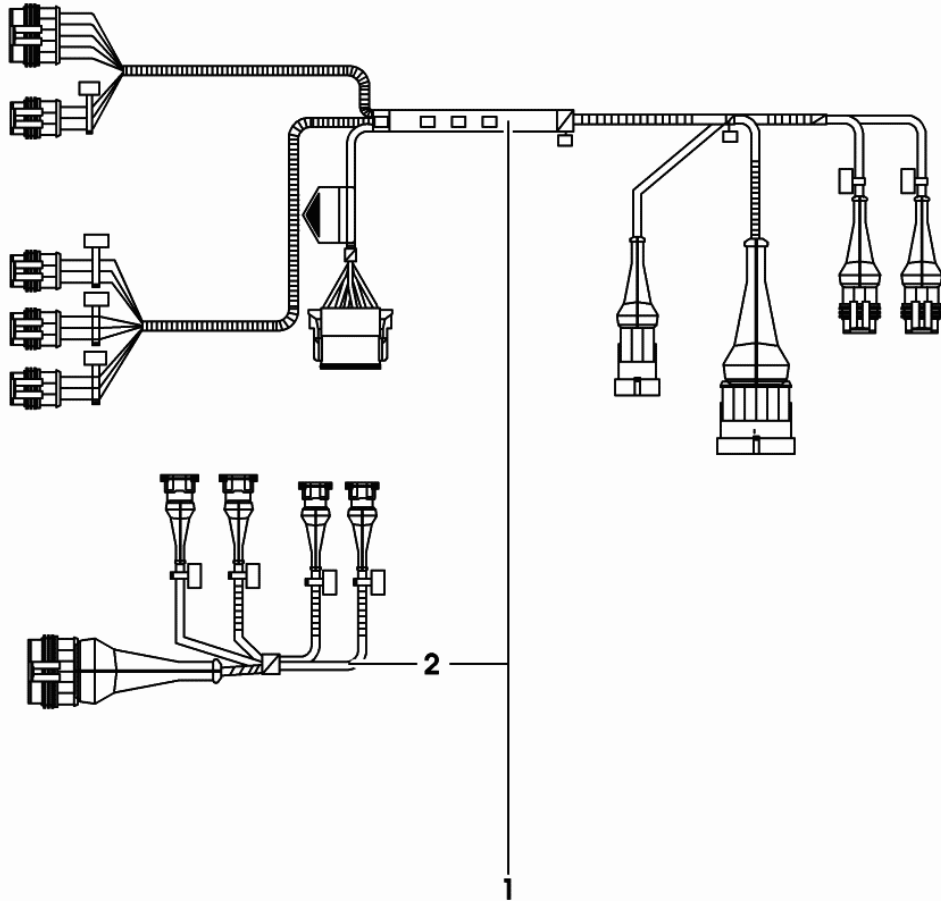
- FOR MODELS WITH PLATFORM [Agroplus F 90 -> 3001]

1	0.013.8401.4	1	electrical system ☞ 0.013.8401.4
2	2.0332.304.2	3	screw m 5 p.0.8 x 12
3	2.1310.001.2	3	flat washer 5.3
4	2.0332.205.2	2	screw m 4x0.7x14
5	2.1310.028.2	2	flat washer 4
6	2.0332.506.2	1	screw m 8 x 16
7	2.1310.004.2	1	flat washer 8.5
8	0.013.4058.3/10	1	plate
9	0.013.5470.4	2	small spring



ELECTRICAL SYSTEM

Fig.	Code	QTY	Name
1	0.011.2025.4/40	1	electrical system
2	0.900.0077.5	1	wire



0_011_2025_4_40

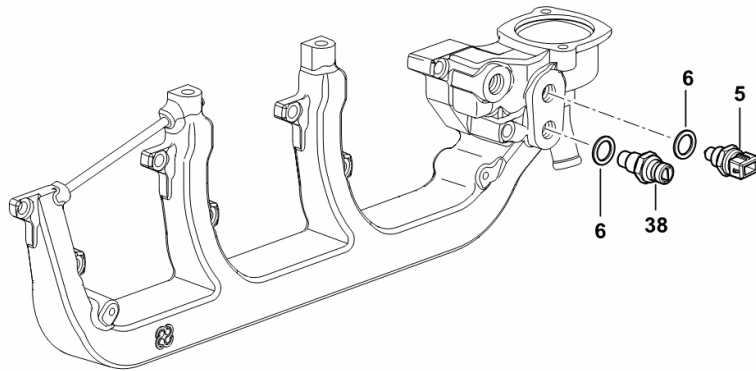
COOLING SYSTEM MANIFOLD SENSORS

Fig.	Code	QTY	Name
------	------	-----	------

Notes:

- EXPORT U.S.A. [Agroplus F 90 -> 3001]

5	2.7099.640.0/10	1	tempe guage
6	2.1560.010.0	2	gasket 14.2 x 20 x 1.5
38	2.7099.800.0	1	sensor



9_O3717_00_0-B-001

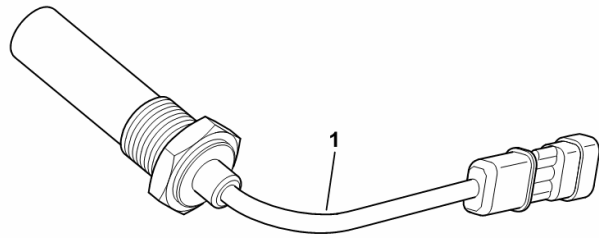
SPEED SENSOR

Fig.	Code	QTY	Name
------	------	-----	------

Notes:

- WITH ELECTRONIC ENGINE GOVERNOR [Agroplus F 90 -> 3001] -> 3002

1	2.7099.972.0/10	1	speed sensor
---	-----------------	---	--------------



9_62084_63_0-A-001

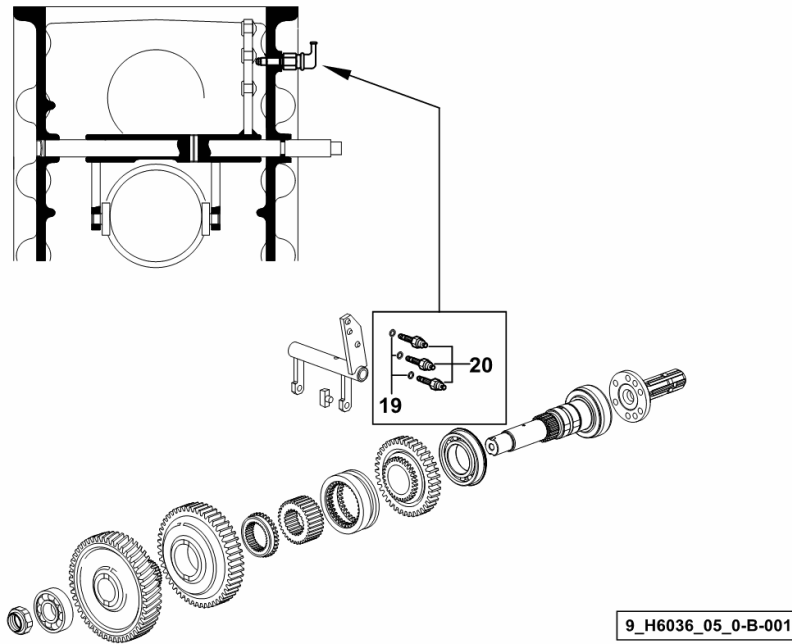
SWITCH FOR P.T.O. WITH INSERTED END SHAFTS - 2 -SPEED + GROUNDSP. AND 3- SPEED

Fig.	Code	QTY	Name
------	------	-----	------

Notes:

[Agroplus F 90 -> 3001]

19	2.1560.003.0	3	gasket 8.2 x 12
20	2.7659.131.0	3	switch



BRAKE SENSORS

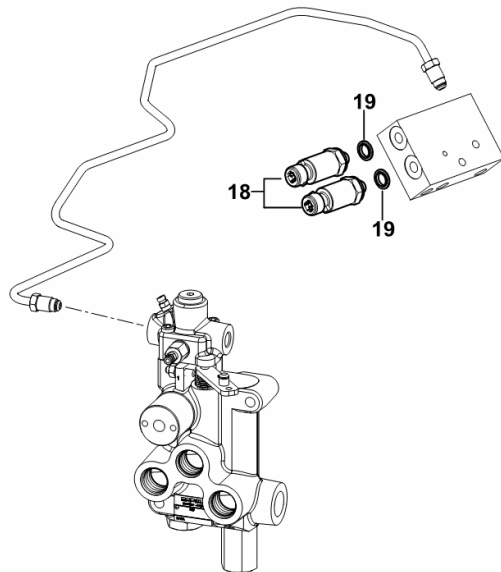
Fig.	Code	QTY	Name
------	------	-----	------

Notes:

- FOR TRACTORS WITH HYDRAULIK BREAKING FOR TRAILER [Agroplus F 90 -> 3001]

18	0.012.1507.4	2	sensor
19	2.1561.005.0	2	washer typ A

SENSO DI MARCIA (LATO DESTRO)
FORWARD SPEED (RIGHT SIDE) →



9_F1689_05_0-B-001

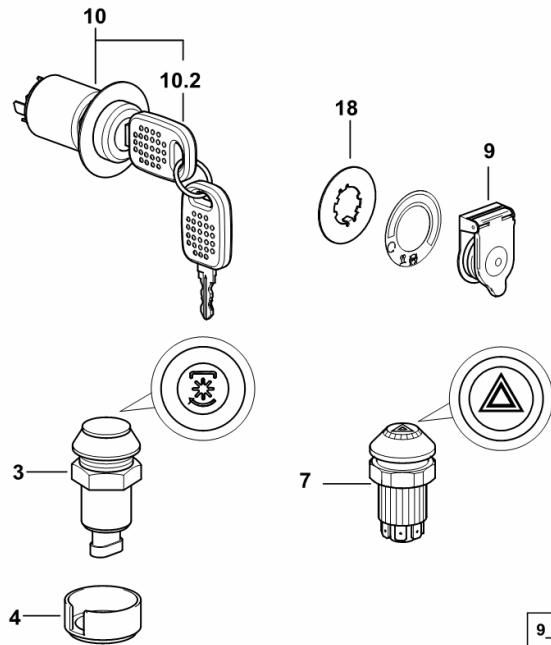
KEYSWITCH BLOCK AND PUSHBUTTONS

Fig.	Code	QTY	Name
------	------	-----	------

Notes:

- EXPORT U.S.A. [Agroplus F 90 -> 3001] -> 3034 <-

3	2.7659.177.0/20	1	push-button P.T.O.
4	0.009.3987.0	1	guard
7	2.7659.285.0	1	push-button
9	0.009.7140.2/10	1	small cover
10	0.015.0485.4	1	start device
10.2	2.7439.023.0	2	key
18	0.011.4625.0	1	washer

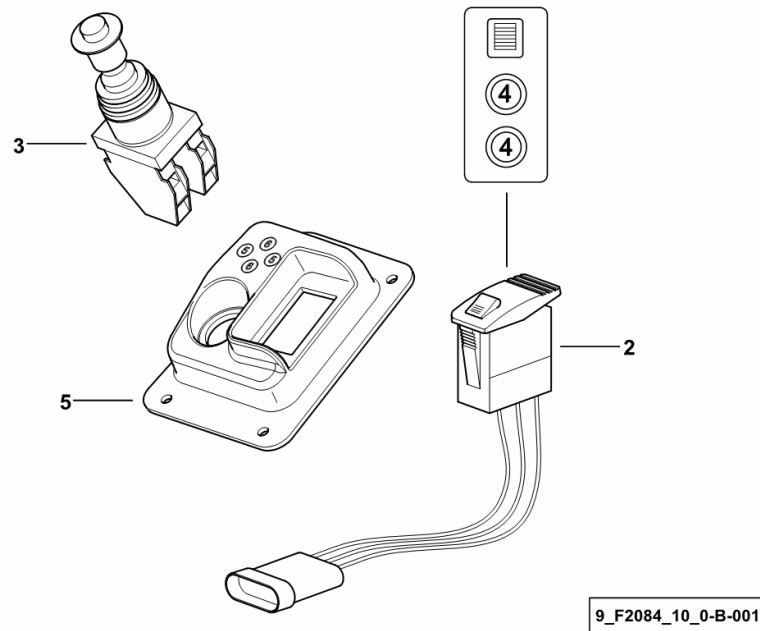


CONTROLS FOR 6-WAY FRONT CONTROL VALVE

Fig.	Code	QTY	Name
------	------	-----	------

Notes:
[Agroplus F 90 -> 3001]

2	2.7659.221.0	1	push-button
3	0.012.0104.4	1	lever
5	0.014.7321.0/30	1	support



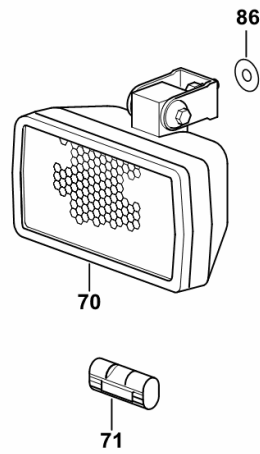
FRONT WORKLIGHTS ON CAB

Fig.	Code	QTY	Name
------	------	-----	------

Notes:

- FOR TYPES WITH HEATING AND AIR CONDITIONING [Agroplus F 90 -> 3001]

70	2.8029.730.0	2	headlight ☞ 2.8029.730.0
71	2.6039.010.0	2	guard
86	2.1312.005.2	4	washer 10.2



9_F1671_65_0-D-001

CLICK HERE TO **DOWNLOAD** THE COMPLETE MANUAL

- Thank you very much for reading the preview of the manual.
- You can download the complete manual from: www.heydownloads.com by clicking the link below



- Please note: If there is no response to CLICKING the link, please download this PDF first and then click on it.

CLICK HERE TO **DOWNLOAD** THE COMPLETE MANUAL

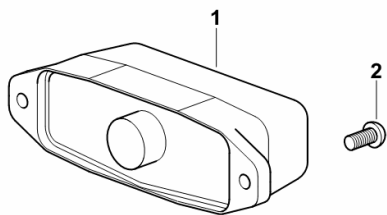
LICENCE PLATE LIGHT

Fig.	Code	QTY	Name
------	------	-----	------

Notes:

[Agroplus F 90 -> 3001]

1	2.8029.240.0/10	1	side lamp ☞ 2.8029.240.0/10
2	2.0332.304.3	2	screw m 5 x 12

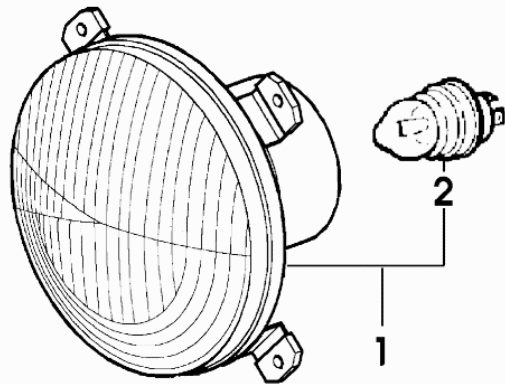


9_56685_31_0-A-001

ELECTRIC LIGHTING SYSTEM

Fig.	Code	QTY	Name
1	2.8029.830.0/20	1	lamp
2	0.010.2251.0	1	lamp 60/55W - HALOGEN -

2_8029_830_0_20

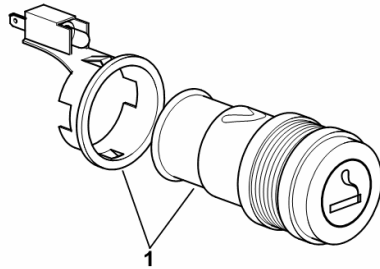


CIGAR LIGHTER

Fig.	Code	QTY	Name
------	------	-----	------

Notes:
[Agroplus F 90 -> 3001]

1	2.7099.770.0	1	cigar lighter
---	--------------	---	---------------



9_64884_35_0-A-001

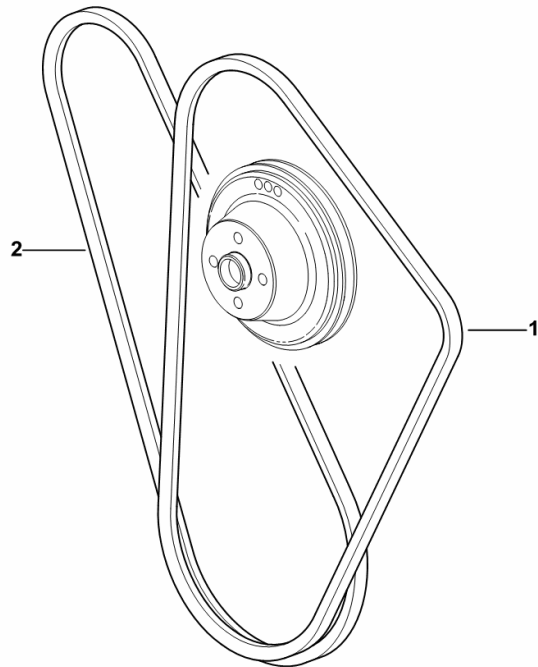
COOLANT PUMP AND ALTERNATOR DRIVEBELT

Fig.	Code	QTY	Name
------	------	-----	------

Notes:

- FOR MODELS WITH COMPRESSOR [Agroplus F 90 -> 3001]

1	2.4119.190.0/10	1	belt AV 12.7x1240 mm
2	2.4119.143.0	1	belt AV 12.7x1225 mm



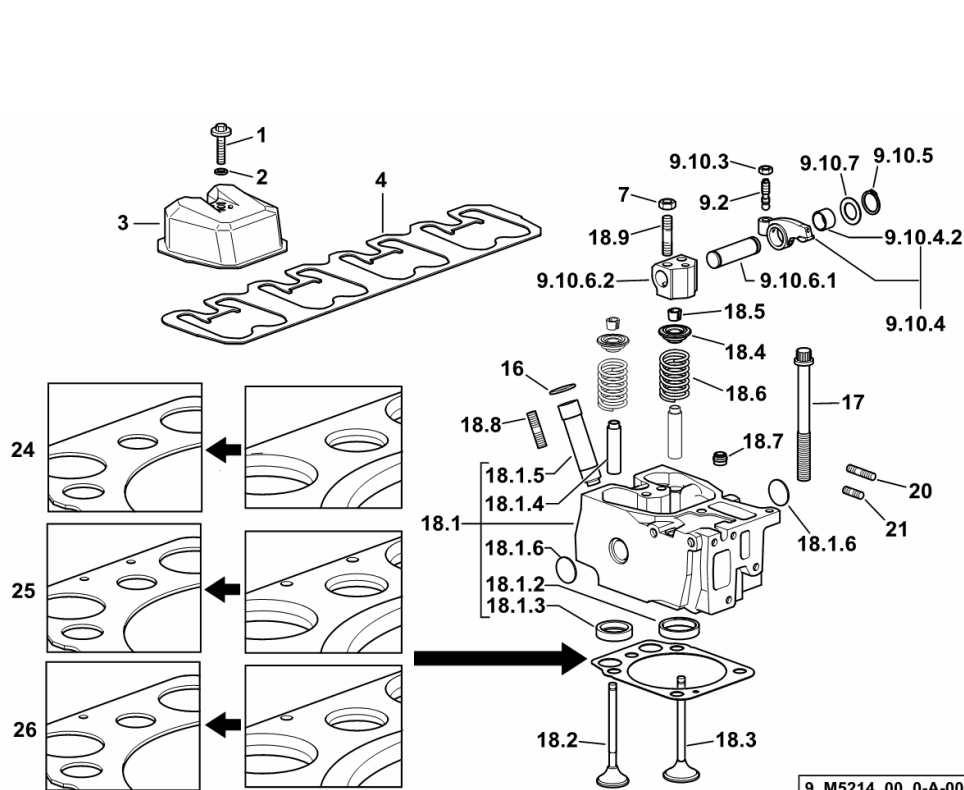
9_N1517_04_0-A-001

Section: B0 - ENGINE
CYLINDER HEAD

Fig.	Code	QTY	Name
------	------	-----	------

Notes:

[Agroplus F 90 -> 3001]



1	2.0399.288.2/10	4	screw m 8x36x46
2	2.1539.151.0	4	'o' ring 9.19 x 2.62
3	0.007.1139.0/10	4	small cap
4	0.065.1450.0/30	1	gasket
7	2.1011.421.2	8	nut m 10 p.1.25
9.2	0.021.1434.0	2	screw m 8 p.1 x 8
9.10.3	2.1011.405.2	2	nut m 8 p.1
9.10.4	0.066.1432.3	2	rocker
9.10.4.2	2.1559.021.0/40	1	bushing 19x22x14
9.10.5	2.1410.055.7	2	circlip 19
9.10.6.1	0.066.1431.0	1	pin
9.10.6.2	0.066.1430.0/10	1	support
9.10.7	2.1599.432.0	2	snoulder 19.5x31x1.5
16	2.1532.507.0	4	'o' ring 17x3.53
17	0.012.2673.0	16	screw m 14 p.2x141
18.1	0.013.0412.3/60	1	engine head
18.1.2	0.078.1426.0	1	valve seat mm 45.118
18.1.3	0.066.1427.0	1	valve seat mm 40.653
18.1.4	0.007.1779.0/20	2	valve guide
18.1.5	0.012.9984.0/20	1	sleeve
18.1.6	2.3170.012.2	2	expansion plug Ø 30
18.2	0.010.6022.0	1	exhaust valve mm 39.1 / Ø mm 9
18.3	0.010.6017.0	1	inlet valve mm 43.63 / Ø mm 9
18.4	0.066.1425.0	2	cup
18.5	0.074.1423.0	4	conical valve cotter
18.6	2.4019.287.0	2	spring 35.5x53.6x3.9
18.7	2.1519.117.0	2	'o' ring
18.8	2.0432.161.7	1	stud bolt m 10 p.1.5 / p.1.25 x 40
18.9	2.0432.163.7	2	stud bolt m 10 p.1.5 / p.1.25 x 45
20	2.0432.011.7	4	stud bolt m 8 p.1.25 / p.1 x 40
21	2.0432.005.7	4	stud bolt m 8 p.1.25 / p.1 x 25
24	0.015.9190.0	0.5	gasket mm 1.2
25	0.015.9191.0	3	gasket mm 1.4
26	0.015.9192.0	0.5	gasket mm 1.6

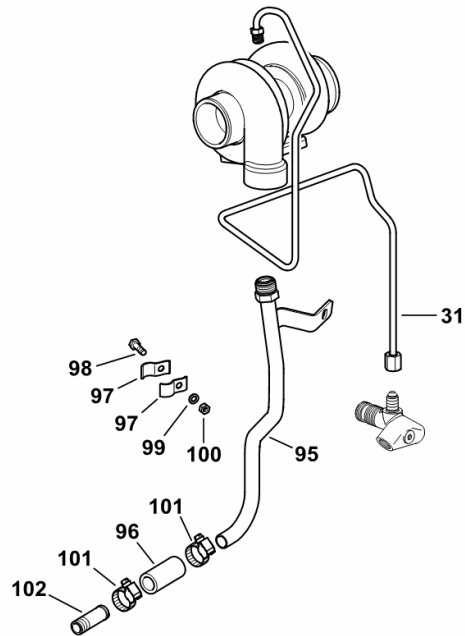
OIL PIPES FOR TURBOCHARGER

Fig.	Code	QTY	Name
------	------	-----	------

Notes:

[Agroplus F 90 -> 3001]

31	0.013.9260.3	1	tube OIL DELIVERY
95	0.010.5693.3/20	1	tube OIL DRAIN
96	0.007.0729.0/10	1	sleeve
97	0.007.0730.0	2	small plate
98	2.0112.007.2	1	screw m 6 p.1 x 20
99	2.1470.002.2	1	washer 6, d128
100	2.1011.103.2	1	nut m 6 p.1
101	2.6851.002.0	2	clamp Ø 20/32
102	2.3339.490.2	1	pipe fitting m 16 p.1.5



9_36615_01_0-A-001

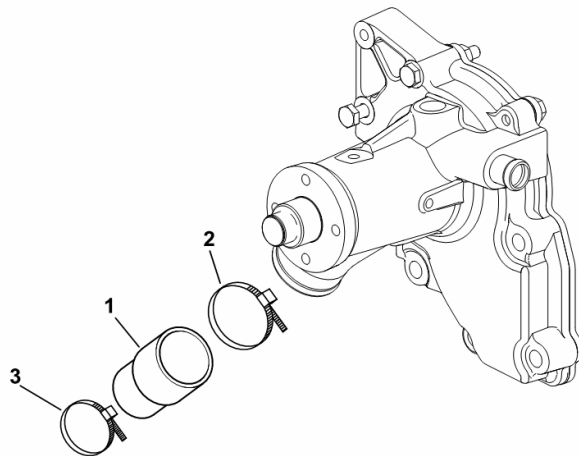
COOLANT PIPE

Fig.	Code	QTY	Name
------	------	-----	------

Notes:

[Agroplus F 90 -> 3001]

1	0.066.1754.0/10	1	sleeve
2	2.6851.005.0	1	clamp Ø 40/60
3	2.6851.004.0	1	clamp Ø 32/50



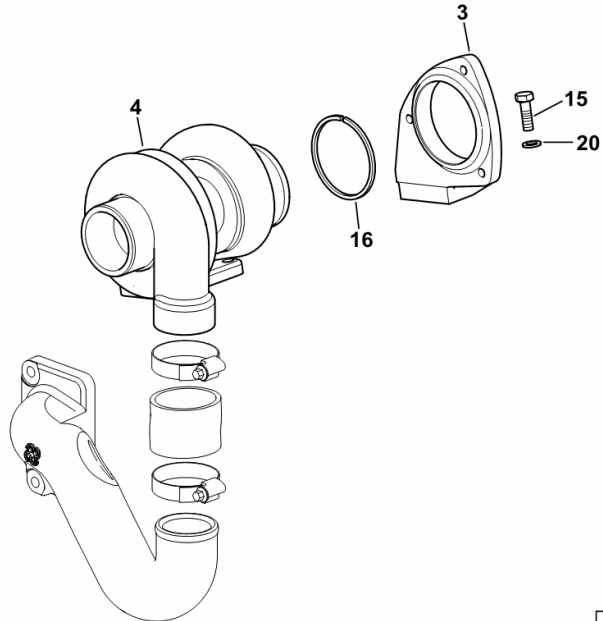
9_33117_12_0-A-001

Section: B0 - ENGINE
TURBOCHARGER

Fig.	Code	QTY	Name
------	------	-----	------

Notes:
 [Agroplus F 90 -> 3001]

3	0.007.0735.0/10	1	flange
4	0.013.7263.4	1	turbo charger
15	2.0112.209.2	3	screw m 8 p 1.25 x 25
16	0.001.2934.0	1	piston ring
20	2.1474.009.2	3	spring washer 8



9_N2518_01_0-B-001

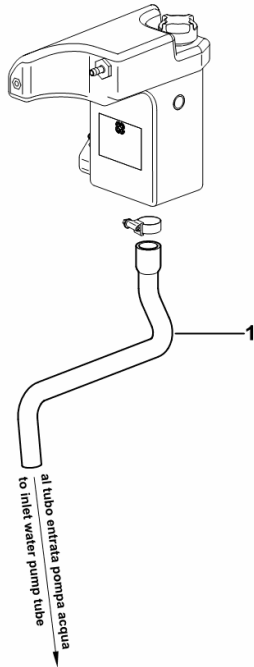
COOLANT PIPE

Fig.	Code	QTY	Name
------	------	-----	------

Notes:

[Agroplus F 90 -> 3001] -> 3021

1	0.013.6882.0	1	tube
---	--------------	---	------



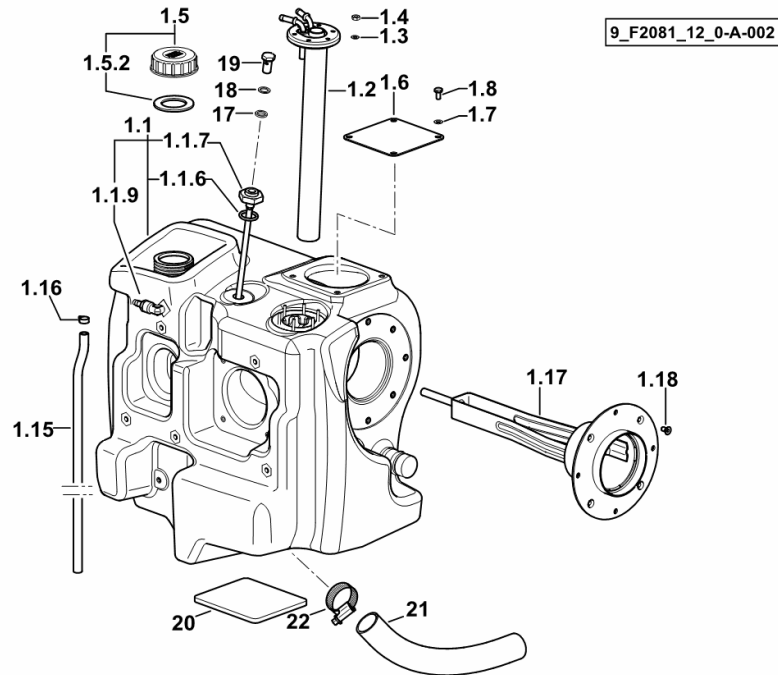
9_E6083_01_0-A-001

FUEL TANK

Fig.	Code	QTY	Name
------	------	-----	------

Notes:

- WITH FRONT PTO AND LIFT [Agroplus F 90 -> 3001]



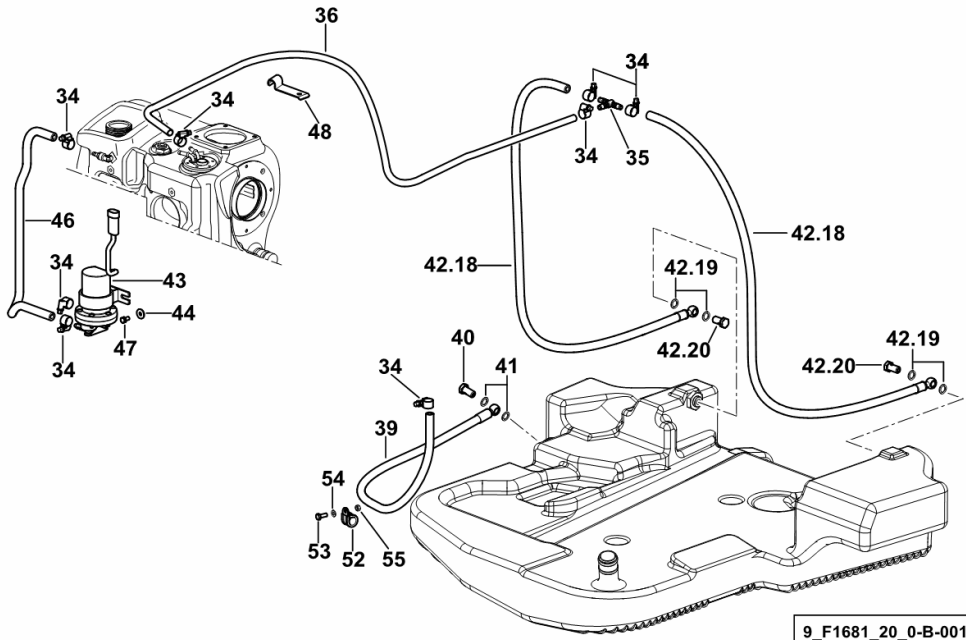
1.1	0.014.5913.3/20	1	fueltank
1.1.6	2.1530.056.0	1	'o' ring 21.82 x 3.53
1.1.7	0.013.8999.3	1	tube
1.1.9	0.010.0749.0	1	breather
1.2	2.7059.827.0	1	float level
1.3	2.1311.002.2	6	flat washer 4
1.4	2.1011.101.2	6	nut m 4 p.0.7
1.5	0.012.3914.3	1	plug
1.5.2	2.1569.157.0	1	gasket 37.8x59.8x3
1.6	0.013.9921.0	1	cover
1.7	2.1310.002.2	4	washer 6.6, d125
1.8	2.0114.003.2	4	screw m 6 p.1 x 12
1.15	0.012.6457.0	0.5	tube
1.16	2.6857.017.0	1	clamp 13
1.17	0.013.9931.2/10	1	support
1.18	2.0342.202.3	4	screw m 6 x 12
17	2.1569.118.0	1	gasket 12.5x18x2.5
18	2.1560.008.0	1	gasket 12.2 x 18
19	2.3332.003.2	1	pipe union m 12 p.1.25 x 23
20	0.014.2896.0	1	guard
21	0.014.2943.0/10	1	tube
22	2.6851.004.0	1	clamp Ø 32/50

SUPPLEMENTARY FUEL TANK PIPES

Fig.	Code	QTY	Name
------	------	-----	------

Notes:

[Agroplus F 90 -> 3001]



9_F1681_20_0-B-001

34	2.6851.001.0	8	clamp Ø 16/25
35	0.009.8380.0	1	pipe fitting T
36	0.012.6343.0	1.9	tube
39	0.013.9810.2	1	tube mm 920
40	2.3332.003.2	1	pipe union m 12 p.1.25 x 23
41	2.1560.008.0	2	gasket 12.2 x 18
42.18	0.011.5935.3/10	2	tube mm 1400
42.19	2.1560.008.0	4	gasket 12.2 x 18
42.20	2.3332.003.2	2	pipe union m 12 p.1.25 x 23
43	0.012.3643.4/20	1	small pump
44	2.1312.003.2	2	washer 6
46	0.012.6451.0	0.6	tube Ø mm 8/15
47	2.0112.003.2	2	screw m 6 p.1 x 12
48	0.013.4550.0	1	bracket
52	2.6839.066.0/10	1	clamp 16
53	2.0112.005.2	1	screw m 6 p.1 x 16
54	2.1310.002.2	1	washer 6.6, d125
55	2.1011.103.2	1	nut m 6 p.1

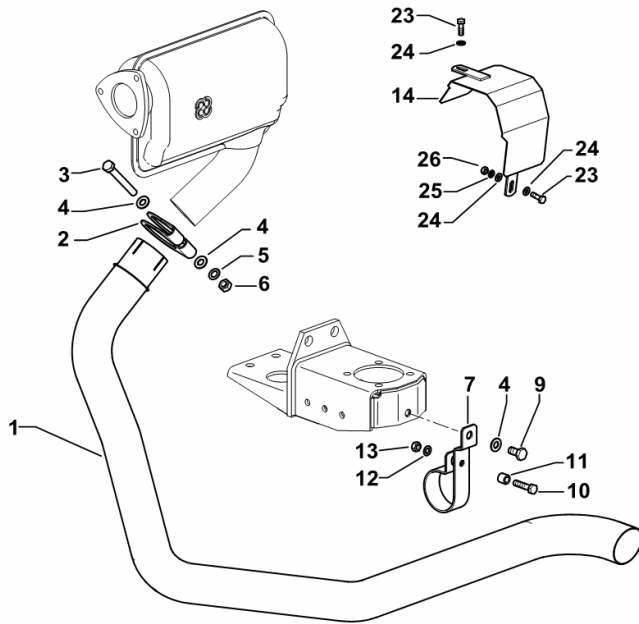
EXHAUST SILENCER PIPE

Fig.	Code	QTY	Name
------	------	-----	------

Notes:

[Agroplus F 90 -> 3001]

1	0.014.9052.2	1	tube
2	0.014.0131.0/10	1	clamp
3	2.0112.325.2	1	screw m 10 p.1.5 x 80
4	2.1310.006.2	3	flat washer 10.5
5	2.1470.006.2	1	lock washer 10
6	2.1011.106.2	1	nut m 10 p.1.5
7	0.014.9091.0	1	bracket
9	2.0114.307.2	1	screw m 10 x 20, d933
10	2.0112.213.2	1	screw m 8 p.1.25 x 35
11	2.1579.450.2	1	spacer 8.5 x 14 x 12
12	2.1470.004.2	1	washer 8
13	2.1011.105.2	1	nut m 8 p.1.25
14	0.010.9439.2/40	1	small sump
23	2.0112.007.2	2	screw m 6 p.1 x 20
24	2.1310.002.2	3	washer 6.6, d125
25	2.1470.002.2	2	washer 6, d128
26	2.1011.103.2	2	nut m 6 p.1



9_F2056_01_0-A-001

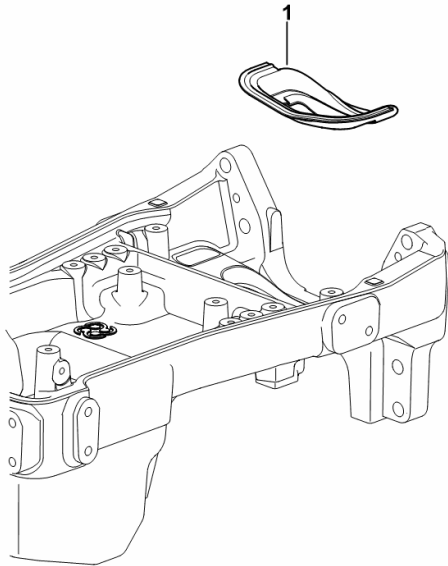
COVER

Fig.	Code	QTY	Name
------	------	-----	------

Notes:

- FOR TRACTORS WITHOUT AIR CONDITIONING [Agroplus F 90 -> 3001]

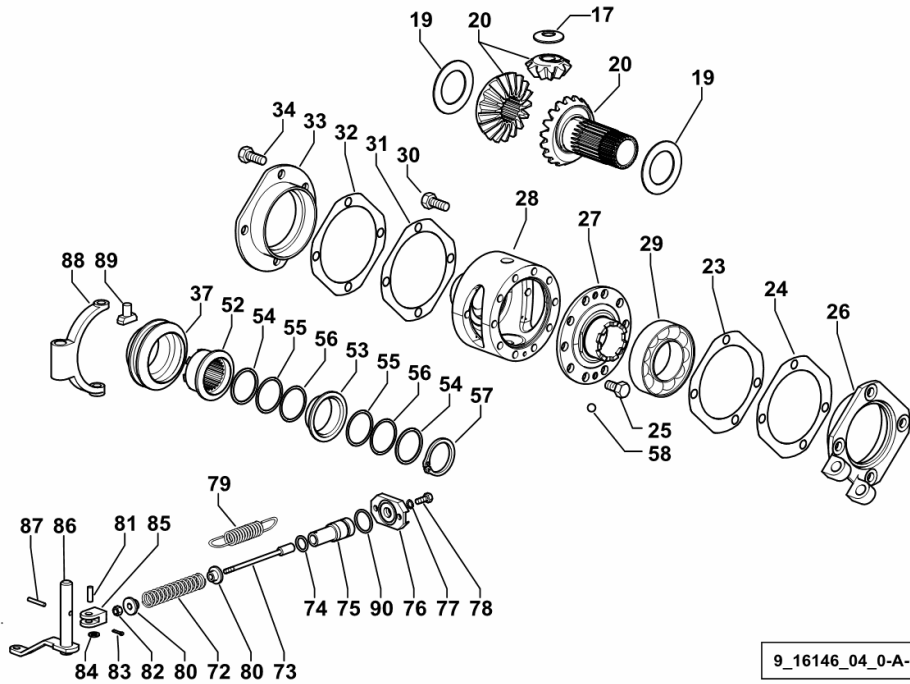
1	0.013.8955.0	1	cover
---	--------------	---	-------



9_B6152_01_0-A-001

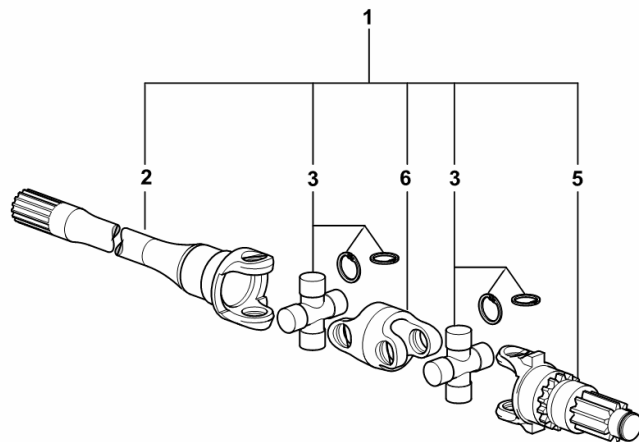
4WD - ELECTROHYDRAULIC DIFFERENTIAL LOCK

Fig.	Code	QTY	Name
86	0.007.2705.2/10	1	lever
87	2.1630.511.0	1	roll pin 5x24
88	0.467.4657.0/10	1	fork
89	0.467.4660.0	2	shoe
90	2.1530.071.0	1	'o' ring 26.64x2.62



Section: F0 - FRONT AXLE
4WD - AXLESHAFTS

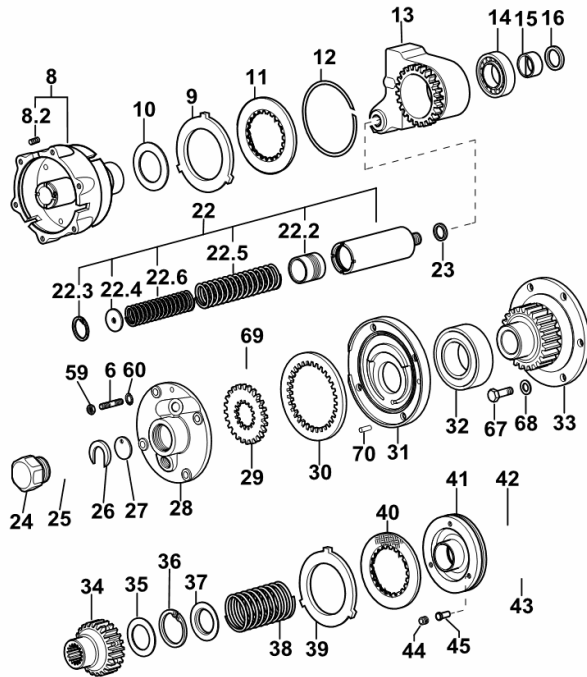
Fig.	Code	QTY	Name
1	0.013.1400.4	1	joint
2	0.900.0148.3	1	half-shaft
3	0.009.6696.3	2	universal joint
5	0.900.0300.4	1	half-shaft
6	0.900.0300.5	1	fork



0_013_1400_4

Section: M0 - FRONT PTO
P.T.O. FRONT

Fig.	Code	QTY	Name
60	2.1470.004.2	7	washer 8
67	2.0112.208.2	6	screw m 8 p.1.25 x 22
68	2.1475.102.2	6	washer 8.4 x 16
69	2.1539.103.0/10	1	'o' ring 101.32 x 1.78
70	2.1651.507.0	1	pin 6 x 16



9_F1659_85_0-B-001

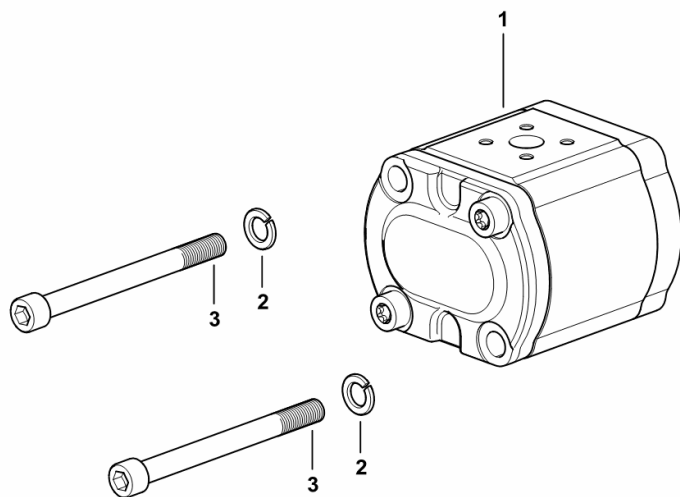
HYDRAULIC PUMP 19 cc - sx/lh/li

Fig.	Code	QTY	Name
------	------	-----	------

Notes:

[Agroplus F 90 -> 3001]

1	2.4539.090.0	1	hydraulic pump 19cc sx/lh/li - BOSCH ☞ 2.4539.090.0
2	2.1474.010.2	2	washer 10
3	2.0312.327.2	2	screw m 10 p.1.5x110



9_F0282_03_0-A-001

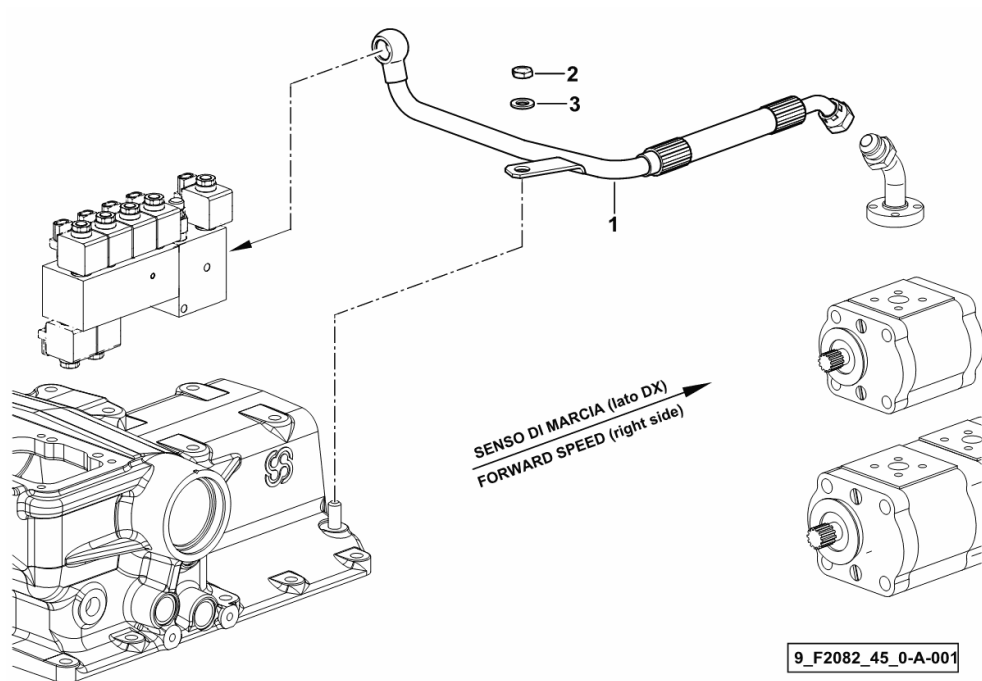
SYSTEM FROM HYDRAULIC PUMP TO 3-POINT HITCH CONTROL SOLENOID VALVES

Fig.	Code	QTY	Name
------	------	-----	------

Notes:

- FOR TYPES WITHOUT HYDRAULIC BRAKING [Agroplus F 90 -> 3001]

1	0.014.7074.3	1	tube
2	2.1011.521.2	1	nut m 10 p.1.25
3	2.1475.003.2	1	washer 10

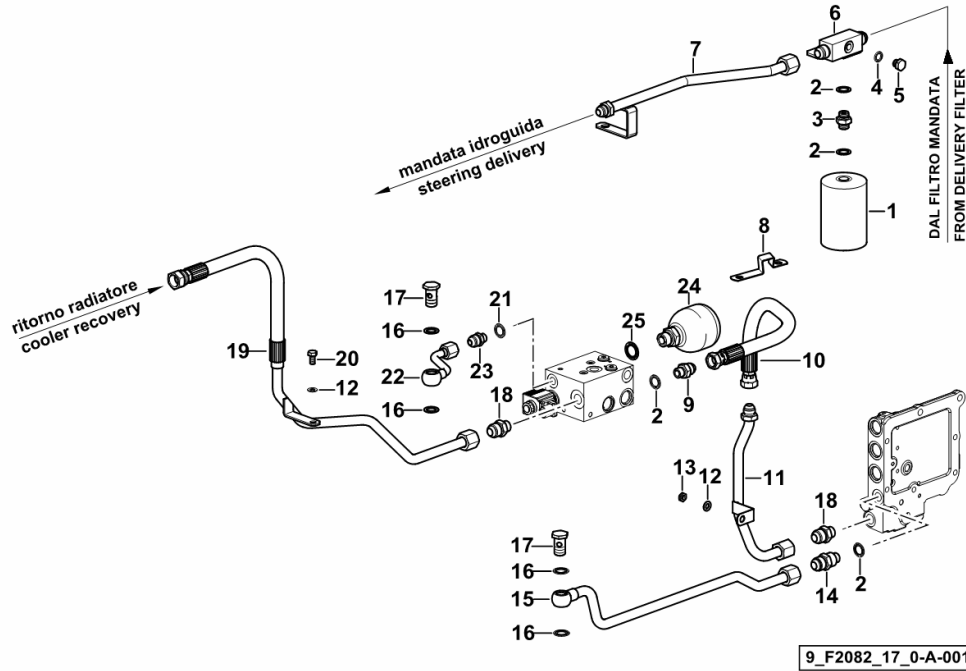


HYDRAULIC SYSTEM

Fig.	Code	QTY	Name
------	------	-----	------

Notes:

- FOR TYPES WITH H-M-L- (POWERSHIFT) [Agroplus F 90 -> 3001]

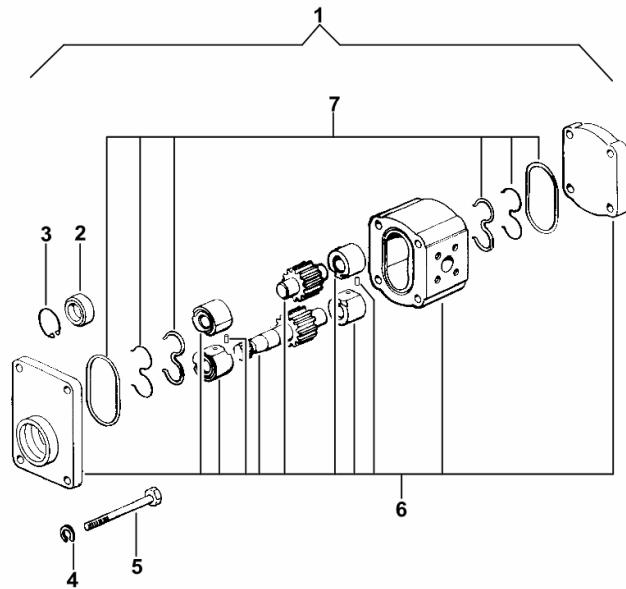


1	0.011.4186.2	1	vibration damper 270 cc
2	2.1561.008.0	4	'o' ring 16
3	0.299.6358.0/20	1	pipe fitting M 16/M 16 Ø5
4	2.1561.006.0	1	'o' ring 12
5	2.3110.402.2	1	plug m 12 p.1.5
6	0.014.5636.3	1	body
7	0.014.5632.3/10	1	tube
8	0.011.8415.0/10	1	bracket
9	2.3261.008.2	1	pipe fitting m 16 p.1.5-3/4"
10	0.014.5733.3	1	tube
11	0.014.5629.3	1	tube
12	2.1475.002.2	2	conical washer 8
13	2.1011.205.2	1	nut m 8 p.1.25
14	2.3249.110.2	1	pipe fitting 7/8" - 14 JIC M 16
15	0.014.5631.3/10	1	tube
16	2.1561.110.0	4	'o' ring Ø 18 -B-
17	2.3335.008.2	2	pipe union m 18 p.1.5 x 32
18	2.3249.141.2	2	pipe fitting 7/8 JIC-M18
19	0.014.5633.3/10	1	tube
20	2.0112.205.2	1	screw m 8 p.1.25 x 16
21	2.1561.007.0	1	gasket 14,8x22.2
22	0.014.5630.3	1	tube
23	2.3339.594.2/10	1	pipe fitting m 14 p.1.5-3/4-16
24	0.013.8759.0/10	1	accumulator
25	2.1561.112.0	1	gasket Ø 22 -B-

9_F2082_17_0-A-001

HYDRAULIC PUMP PARTS

Fig.	Code	QTY	Name
1	2.4539.620.0/10	1	hydraulic pump 22.5 cc dx/rh/re - BOSCH
2	0.009.4046.1	1	'o' ring
3	2.1411.012.1	1	circlip 30x1.2, din 472
4	0.000.0000.1	0	not serviceable
5	0.000.0000.1	0	not serviceable
6	0.000.0000.1	0	not serviceable
7	2.4529.330.1/10	1	seal ring kit



2_4539_620_0_10

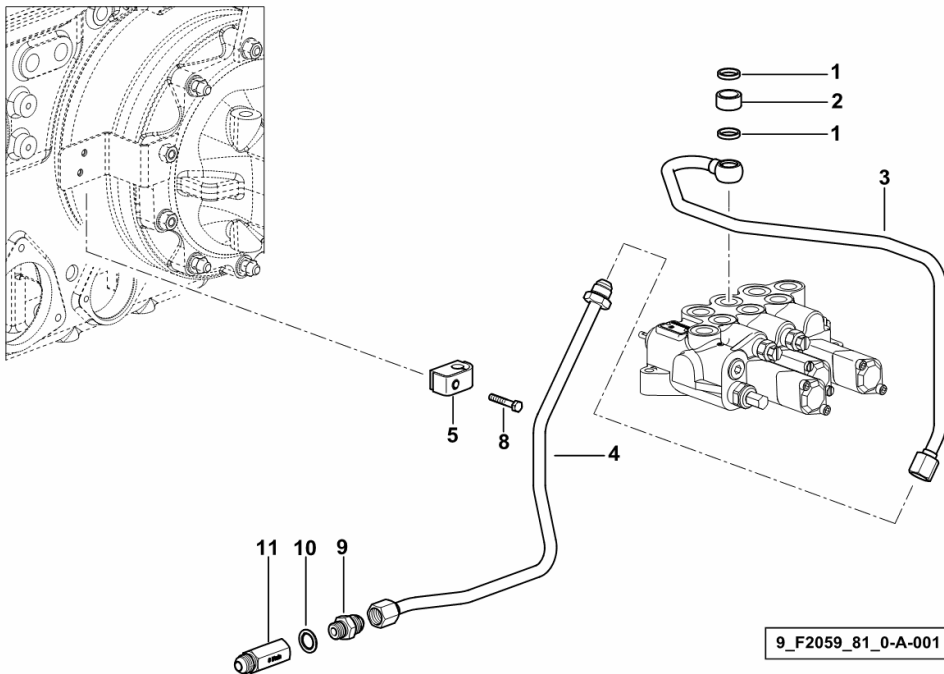
FRONT LIFT - HYDRAULIC SYSTEM

Fig.	Code	QTY	Name
------	------	-----	------

Notes:

[Agroplus F 90 -> 3001]

1	2.1569.160.0	2	gasket 18.2x22x3.5
2	2.1549.385.2	1	spacer 18.6 x 25 x 13
3	0.014.8624.3/10	1	tube
4	0.014.8601.3	1	tube
5	2.3320.105.0	1	collar
8	2.0112.013.2	1	screw m 6 p.1 x 35
9	2.3261.112.2	1	pipe fitting 3/8 gas-3/4"
10	2.1561.109.0	1	gasket
11	0.014.7203.3	1	valve



9+1 MID-MOUNT HYDRAULIC COUPLERS - FRONT

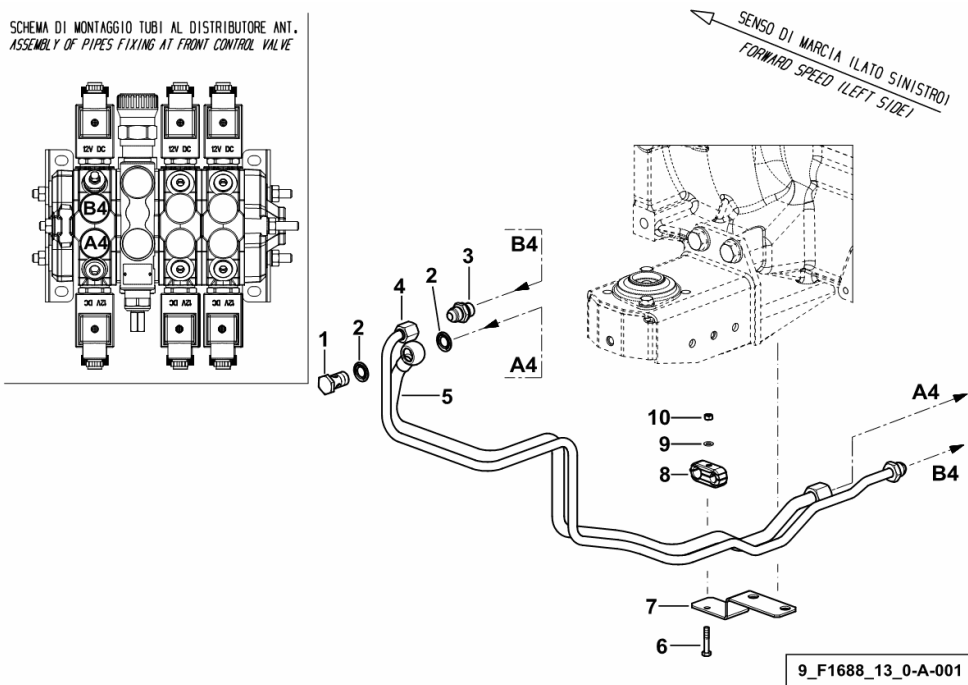
Fig.	Code	QTY	Name
------	------	-----	------

Notes:

[Agroplus F 90 -> 3001]

1	2.3335.008.2	1	pipe union m 18 p.1.5 x 32
2	2.1561.110.0	2	'o' ring Ø 18 -B-
3	2.3249.138.2	1	pipe fitting m 18 - 3/4" JIC
4	0.015.3056.3	1	tube
5	0.015.3055.3	1	tube
6	2.0112.013.2	1	screw m 6 p.1 x 35
7	0.014.7747.0	1	bracket
8	2.3321.012.0	1	collar
9	2.1310.002.2	1	washer 6.6, d125
10	2.1011.103.2	1	nut m 6 p.1

SCHEMA DI MONTAGGIO TUBI AL DISTRIBUTORE ANT.
ASSEMBLY OF PIPES FIXING AT FRONT CONTROL VALVE



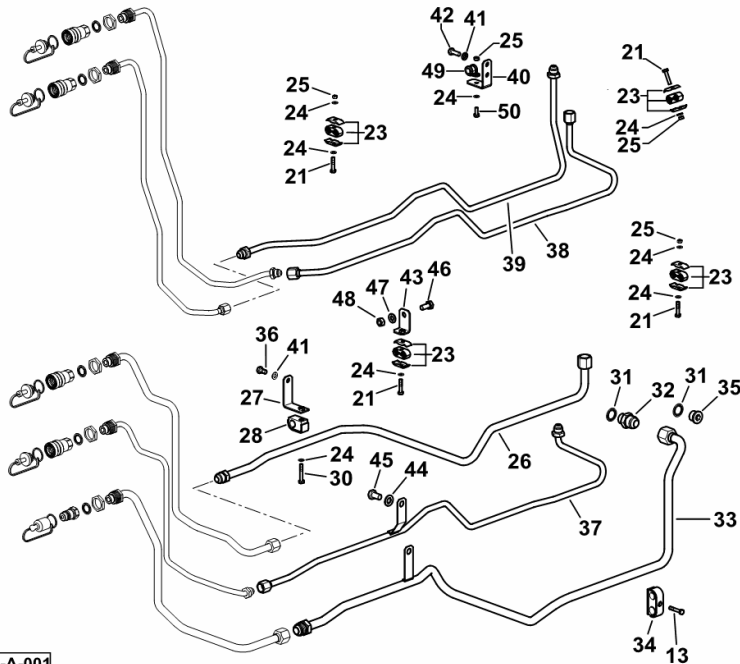
4+1 MID-MOUNT HYDRAULIC COUPLERS - REAR

Fig.	Code	QTY	Name
------	------	-----	------

Notes:

[Agroplus F 90 -> 3001]

13	2.0112.013.2	2	screw m 6 p.1 x 35
21	2.0112.011.2	7	screw m 6 p.1x30
23	2.3321.010.0	7	collar Ø 12/12
24	2.1310.002.2	9	washer 6.6, d125
25	2.1011.103.2	7	nut m 6 p.1
26	0.014.7620.3/10	1	tube
27	0.014.7619.3	1	bracket
28	2.3320.108.0	1	terminal
30	2.0112.015.2	1	screw m 6 p.1x40
31	2.1561.112.0	2	gasket Ø 22 -B-
32	2.3261.013.2	1	pipe fitting m 22 p.1.5-1 1/16"
33	0.014.7575.3/10	1	tube
34	2.3320.217.0	1	terminal
35	2.3120.002.4	1	plug m 22 x 1.5
36	2.0112.205.2	1	screw m 8 p.1.25 x 16
37	0.014.7618.3	1	tube
38	0.014.7541.3	1	tube
39	0.014.7542.3/10	1	tube
40	0.014.7558.0	1	bracket
41	2.1310.004.2	3	flat washer 8.5
42	2.0112.208.2	2	screw m 8 p.1.25 x 22
43	0.014.7573.3	1	bracket
44	2.1310.007.2	1	flat washer 13.5
45	2.0112.407.2	1	screw m 12 p.1.75 x 20
46	2.0112.308.2	1	screw m 10 p.1.5x22
47	2.1310.006.2	1	flat washer 10.5
48	2.1011.106.2	1	nut m 10 p.1.5
49	2.6839.059.0	1	clamp Ø 12 / 15
50	2.0112.005.2	1	screw m 6 p.1 x 16



9_F7088_03_0-A-001

DISTRIBUTOR

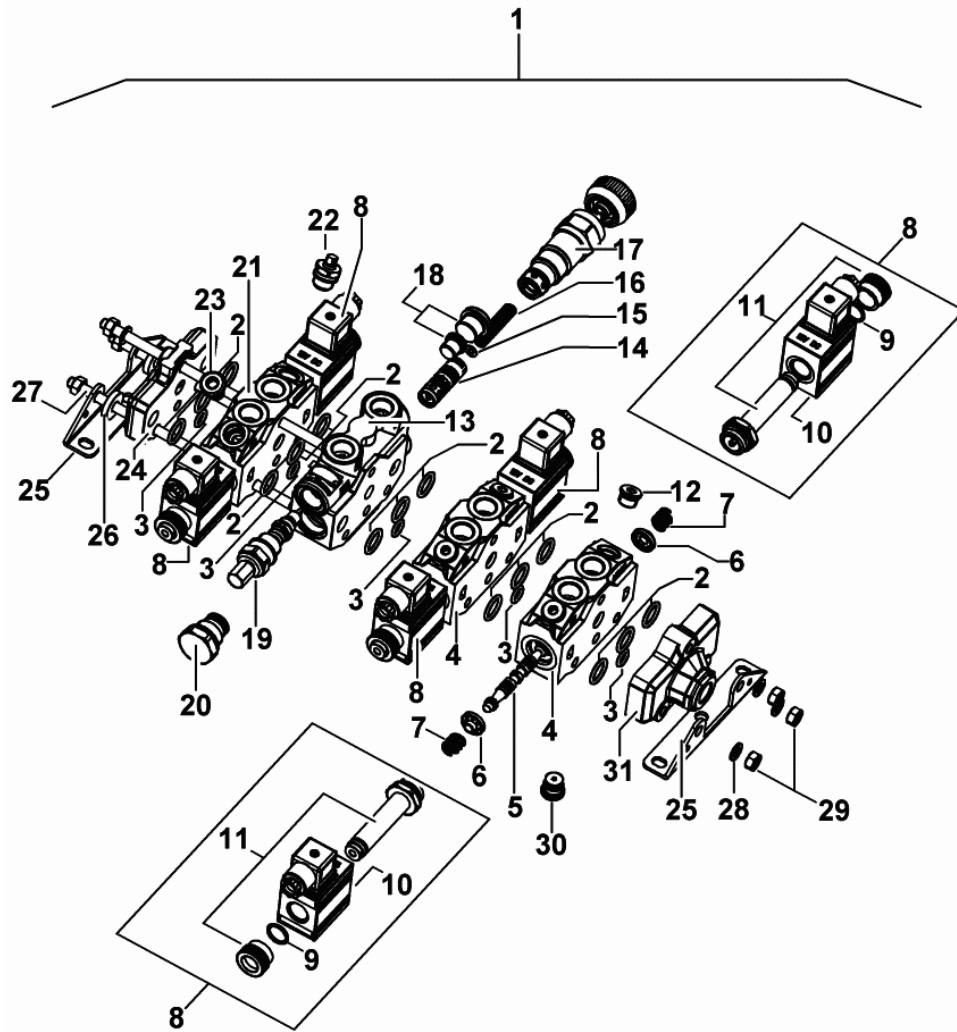


Fig.	Code	QTY	Name
1	2.3729.500.0	1	distributor
2	0.010.3600.2	15	'o' ring
3	0.010.3601.0	5	'o' ring
4	0.000.0000.1	0	not serviceable
5	0.900.0022.5	3	slider
6	0.900.0022.6	6	spacer
7	0.900.0022.7	6	spring
8	0.900.0022.8	6	electro valve
9	0.900.0022.9	6	'o' ring
10	0.900.0023.0	6	electro valve
11	0.900.0023.1	6	accessories
12	0.900.0023.2	4	plug
13	0.000.0000.1	0	not serviceable
14	0.900.0023.3	1	small piston
15	0.900.0023.4	1	circlip
16	0.010.3618.0	1	spring
17	0.900.0023.5	1	valve
18	0.010.3614.2	1	plug
19	0.010.3601.2	1	valve
20	0.900.0023.6	1	plug
21	0.000.0000.1	0	not serviceable
22	0.900.0020.7	1	valve
23	0.010.3614.1	1	plug
24	0.900.0023.7	1	body
25	0.900.0023.8	2	support
26	0.900.0023.9	3	spacer
27	0.900.0024.0	3	rod
28	0.010.3607.1	4	washer
29	0.010.3606.2	3	selflock nut
30	0.010.3615.1	3	valve
31	0.900.0024.1	1	body

2_3729_500_0

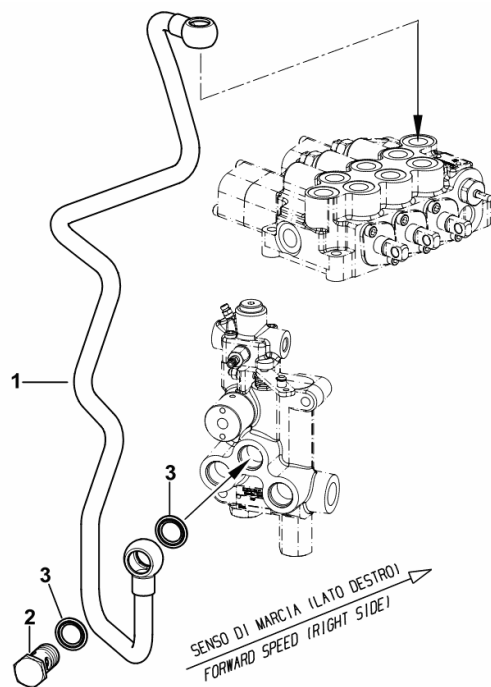
HYDRAULIC TRAILER BRAKING SYSTEM

Fig.	Code	QTY	Name
------	------	-----	------

Notes:

- WITHOUT ELECTRO-HYDRAULIC 3-POINT HITCH [Agroplus F 90 -> 3001]

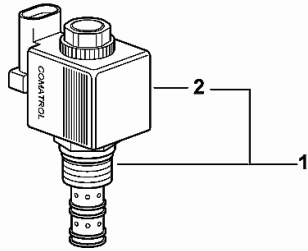
1	0.015.2205.3	1	tube
2	2.3335.009.2	1	pipe union m 22 p.1.5 x 39
3	2.1561.112.0	2	gasket Ø 22 -B-



9_F1689_12_0-A-001

SOLENOID VALVE

Fig.	Code	QTY	Name
1	2.3729.340.0/40	1	electro valve
2	0.900.1130.7	1	coil



2_3729_340_0_50

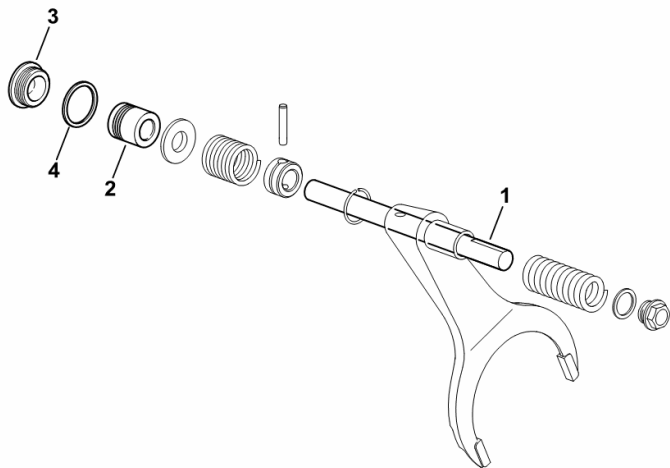
DIFFERENTIAL LOCK CONTROL - ELECTROHYDRAUDLIC

Fig.	Code	QTY	Name
------	------	-----	------

Notes:

[Agroplus F 90 -> 3001]

1	0.008.5194.0/10	1	rod
2	0.008.5650.0/20	1	piston
3	2.3199.176.0/10	1	plug m 30 p.1.5 / m 14 p.1.5
4	2.1560.023.0	1	gasket 30.3 x 36



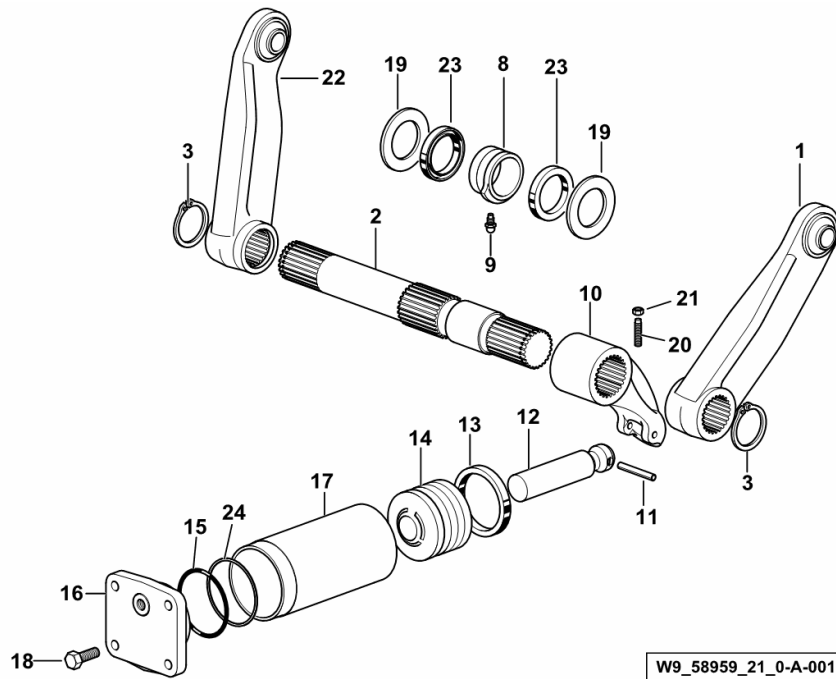
9_64835_02_0-A-001

Section: R0 - REAR LIFT
LIFTING

Fig.	Code	QTY	Name
------	------	-----	------

Notes:

- FOR TYPES WITH MECHANICAL LIFTER [Agroplus F 90 -> 3001]



1	0.009.2846.3/10	1	lever sx/lh/li
2	0.009.2374.0/30	1	shaft L = mm 445
3	2.1410.020.1	2	circlip 50
8	0.009.2377.0/30	1	spacer
9	0.009.2378.0/30	1	pin
10	0.009.2379.0/70	1	lever
11	2.1631.721.0	1	roll pin 8 x 60
12	0.009.2380.0	1	connecting rod
13	2.1518.105.0	1	'o' ring 75 x 90
14	0.9002.311.0/20	1	piston
15	2.1531.184.0	1	'o' ring 82.14 x 3.53
16	0.009.2381.0/20	1	flange
17	0.009.2382.0/20	1	cylinder
18	2.0122.463.2	4	screw m 12 p.1.25 x 35
19	2.1599.609.2	2	snoulder
20	2.0522.216.7	1	grain m 8 p.1.25 x 40
21	2.1011.105.2	1	nut m 8 p.1.25
22	0.009.2847.3/10	1	lever dx/rh/re
23	2.1520.026.0	2	oil seal 50 x 68 x 10
24	2.1539.156.0	1	'o' ring 82 x 88 x 1.27

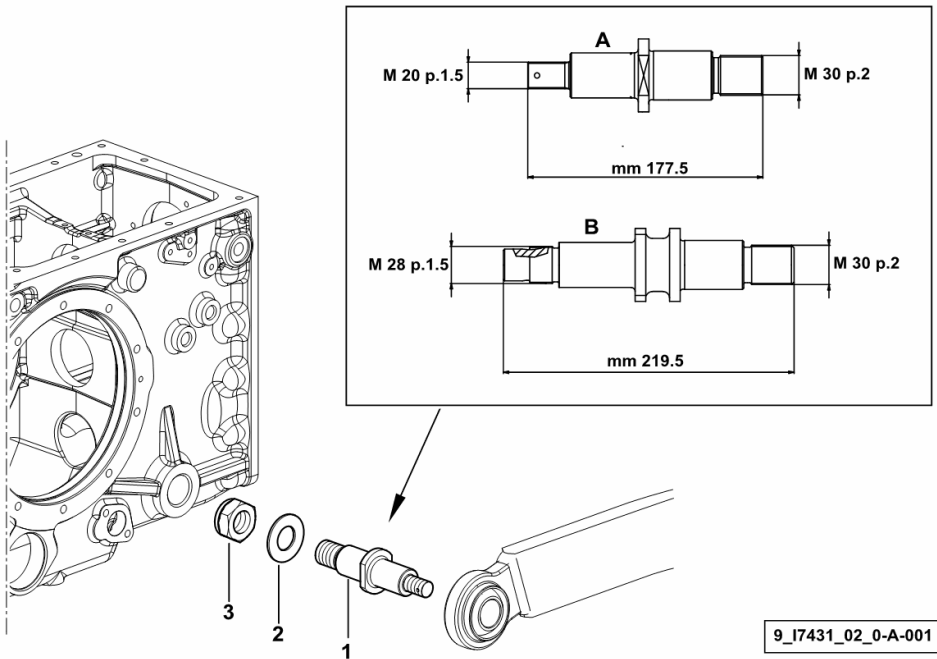
LIFT ARMS TO GEARBOX LOCK PINS

Fig.	Code	QTY	Name
------	------	-----	------

Notes:

[Agroplus F 90 -> 3001] -> 3073

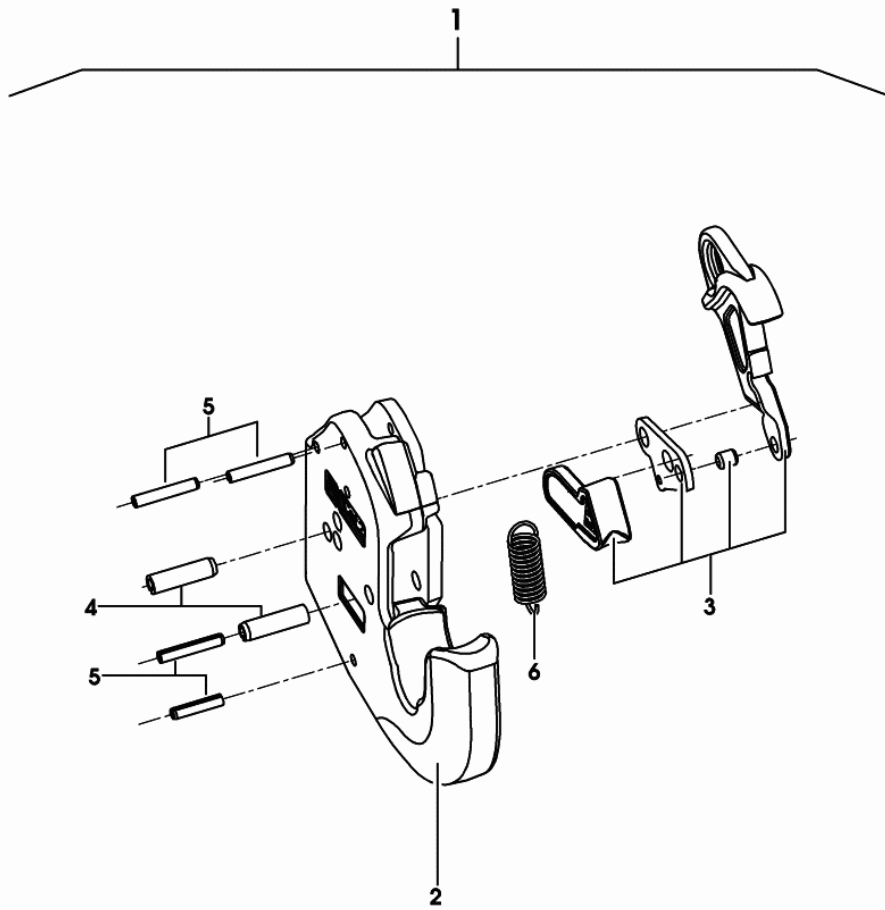
1	0.009.8983.0/40	2	pin m 20 p.1.5 / m 30 p.2 (-> 3073) - A TYPE
2	2.4099.114.7	2	spring
3	2.1120.315.2	2	nut m 30 p.2



9_I7431_02_0-A-001

Section: R0 - REAR LIFT
TOWING HITCH

Fig.	Code	QTY	Name
1	0.014.1420.3	1	automatic hook 2 cat.-CBM-
2	0.000.0000.1	1	not serviceable
3	0.900.0270.5	1	accessories
4	0.900.0270.6	1	accessories
5	0.900.0270.7	1	accessories
6	0.900.0270.8	1	spring



0_014_1420_3

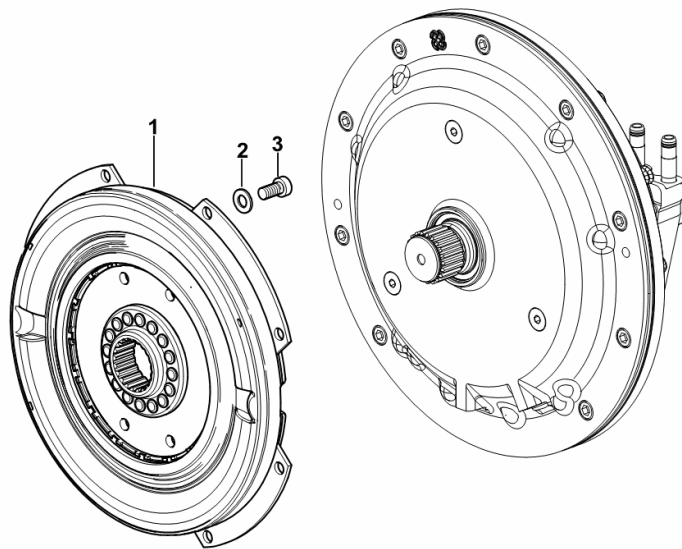
FLEXIBLE COUPLINGS

Fig.	Code	QTY	Name
------	------	-----	------

Notes:

[Agroplus F 90 -> 3001]

1	0.014.4020.4/10	1	dumper
2	2.1475.003.7	8	washer 10.5
3	2.0399.093.1/10	8	screw m 10 p.1.5 x 20



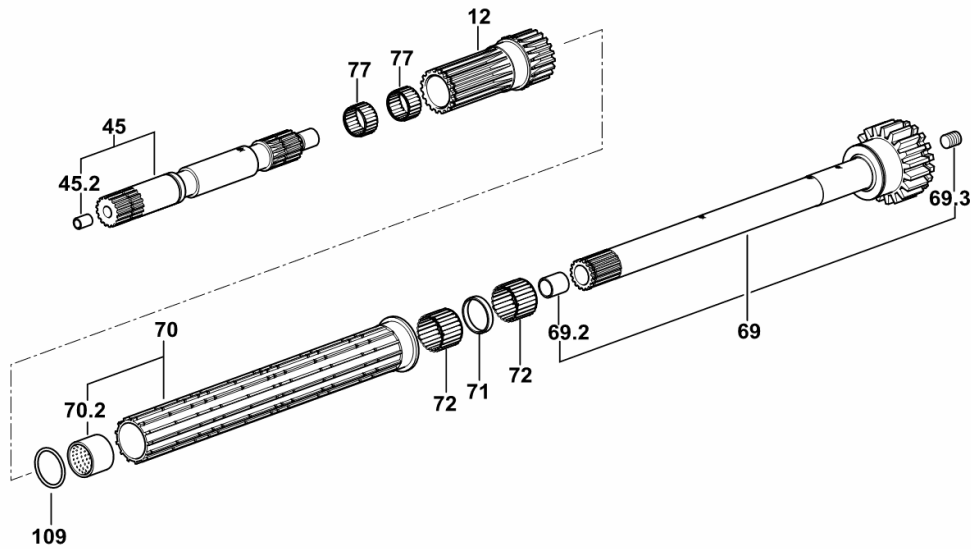
9_D3232_00_0-B-001

H-M-L GEARBOX SECONDARY SHAFT

Fig.	Code	QTY	Name
------	------	-----	------

Notes:

(GEARSHIFT) [Agroplus F 90 -> 3001]



12	0.008.0312.0/50	1	shaft
45	0.009.9871.3/60	1	shaft
45.2	2.1549.196.0/10	1	bushing 8 x 10.3 x 14
69	0.010.0537.3/20	1	reduction shaft Z = 19
69.2	2.1552.205.0	1	bushing 16 x 20
69.3	2.0599.092.0	1	grain m 12x14
70	0.010.0536.3/10	1	shaft
70.2	2.1559.365.0	1	bushing 27.6 x 32 x 25
71	2.1549.198.0	1	spacer 30 x 33 x 5
72	2.2999.298.0	2	roller cage 28 x 33 x 27
77	2.2999.312.0	2	roller cage
109	2.1532.504.0	1	'o' ring 37.82 x 1.78

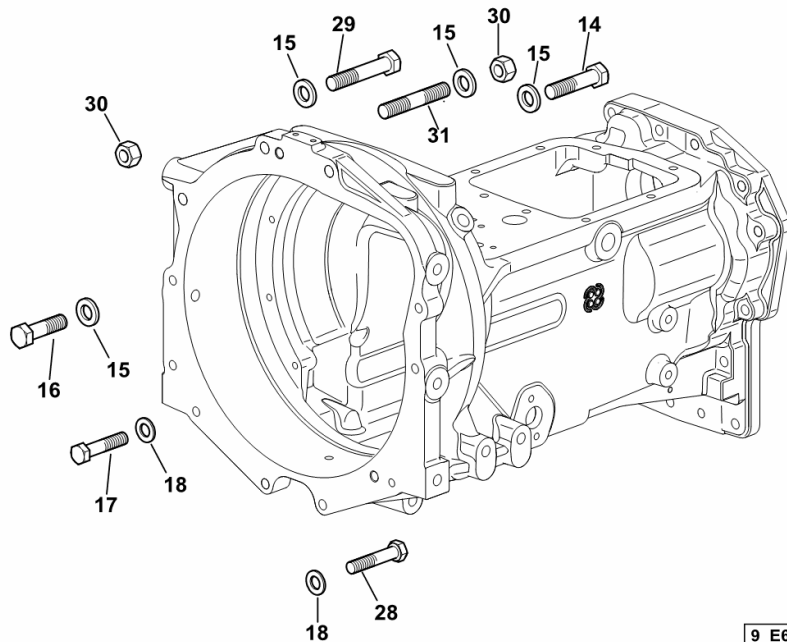
9_D3227_00_0-C-001

Section: D0 - TRANSMISSION
GEARBOX FRONT- FIXINGS

Fig.	Code	QTY	Name
------	------	-----	------

Notes:
 [Agroplus F 90 -> 3001]

14	2.0112.521.2	1	screw m 14 p.2 x 60
15	2.1475.205.7	7	washer 15x35
16	2.0112.513.2	4	screw m 14 p.2 x 35
17	2.0112.419.2	2	screw m 12 p.1.75 x 50
18	2.1475.004.7	4	washer 13 x 24
28	2.0112.421.2	2	screw m 12 p.1.75 x 60
29	2.0112.523.2	1	screw m 14 p.2x70
30	2.1011.108.2	2	nut m 14 p.2
31	2.0422.520.2	1	stud bolt m 14x75



9_E6631_02_0-A-001

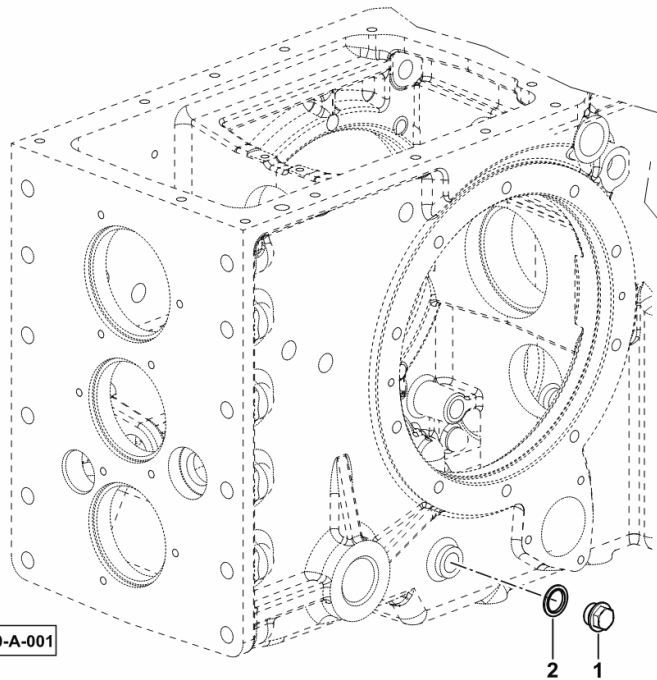
REAR GEARBOX PLUG

Fig.	Code	QTY	Name
------	------	-----	------

Notes:

- FOR TYPES WITHOUT TRAILER BRAKING SYSTEM [Agroplus F 90 -> 3001]

1	2.3110.405.2	1	plug m 18 p.1.5 x 15
2	2.1561.010.0	1	'o' ring 18



9_17582_38_0-A-001

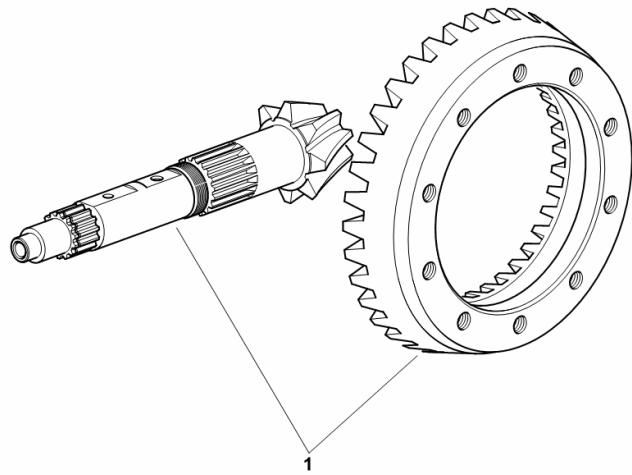
BEVEL WHEEL GEAR Z = 10 / Z = 34

Fig.	Code	QTY	Name
------	------	-----	------

Notes:

- 40 Km/h [Agroplus F 90 -> 3001]

1	0.012.1707.3	1	bevel gear Z = 10 / Z = 34
---	--------------	---	----------------------------



9_16135_00_0-A-001

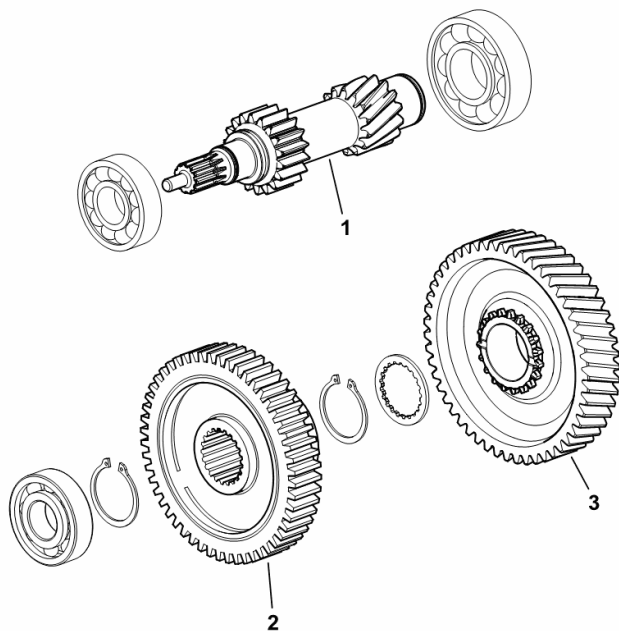
P.T.O. - 2 SPEED TYPE 540-750

Fig.	Code	QTY	Name
------	------	-----	------

Notes:

[Agroplus F 90 -> 3001]

1	0.011.9829.0/10	1	shaft Z = 11 / Z = 18 / Z = 14
2	0.012.0103.0	1	gear Z = 52
3	0.014.3839.0	1	gear Z = 51



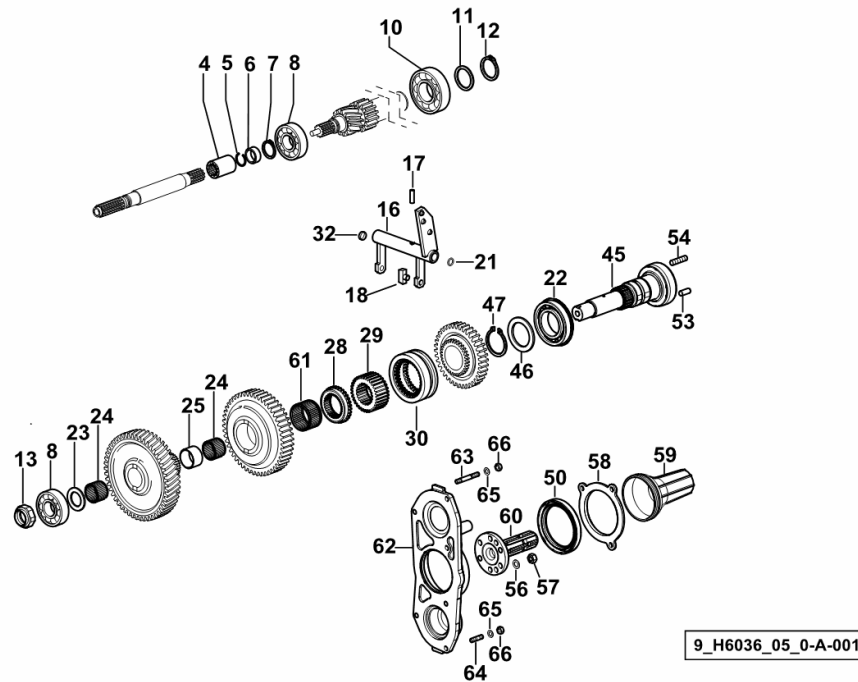
9_H5936_01_0-A-001

P.T.O. WITH INSERTED END SHAFTS - 2 -SPEED + GROUNDSP. AND 3- SPEED

Fig.	Code	QTY	Name
------	------	-----	------

Notes:

[Agroplus F 90 -> 3001]



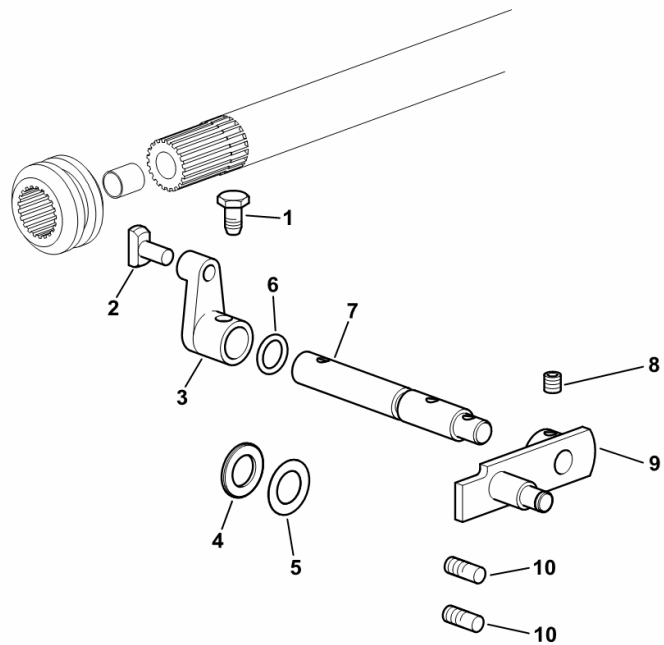
4	0.010.7696.0	1	sleeve Z = 11
5	2.1421.010.7	1	circlip 25
6	2.1549.172.0	1	spacer 24.7 x 31 x 12
7	2.1410.012.1	1	circlip 30
8	2.2999.300.0	2	bearing 30 x 72 x 19
10	2.2062.012.0	1	ball bearing 40 x 90 x 23
11	2.1599.414.0	1	snoulder 40 x 50 x 3.0
12	2.1410.016.1	1	circlip 40
13	2.1219.038.0/40	1	ring nut m 30 p.1.5
16	0.010.7710.3	1	fork
17	2.1631.712.0	1	pin 8x26
18	0.255.6463.0	2	shoe
21	2.1530.028.0	1	'o' ring 11.91 x 2.62
22	2.2999.204.0	1	bearing 50 x 90 x 20
23	2.1589.321.0	1	snoulder 30x47x3
24	2.2770.062.0	2	roller cage 35x40x27
25	0.010.7712.0	1	spacer
28	0.009.3830.3/10	1	gear Z = 32
29	0.010.7701.0	1	hub z=32 z=21
30	0.009.3822.0/20	1	sleeve Z = 32
32	2.3171.006.4	5	plug Ø 16
45	0.014.3780.0	1	shaft
46	2.1599.779.0	1	thrust plate 50x70x4
47	2.1412.019.7	1	circlip 50x3
50	2.1520.043.0	1	oil seal 85 x 110 x 12
53	2.1651.811.0	2	cylindrical plug 10x24
54	2.0432.155.7	6	stud bolt m 10 p.1.5 / p. 1.25 x 25
56	2.1470.006.2	6	lock washer 10
57	2.1011.421.2	6	nut m 10 p.1.25
58	0.011.3274.0	1	cover
59	0.008.0757.0	1	guard
60	0.011.3221.0	1	p.t.o.shaft Z = 6
61	2.2999.363.0	1	roller cage
62	0.014.3683.0/10	1	cover
63	2.0422.215.7	2	stud bolt m 8 p.1.25 x 50
64	2.0422.203.7	5	stud bolt m 8 p.1.25 x 20
65	2.1470.004.2	7	washer 8
66	2.1011.105.2	7	nut m 8 p.1.25

P.T.O. - SYNCHRONIZED CONTROL

Fig.	Code	QTY	Name
------	------	-----	------

Notes:
[Agroplus F 90 -> 3001]

1	2.0399.019.1	1	screw m 8 p.1 x 16
2	0.150.6833.0/10	1	shoe
3	0.008.5557.0/10	1	lever
4	2.1311.010.2	1	flat washer 16
5	2.1589.364.0	1	snoulder mm 0.50
6	2.1530.024.0	1	'o' ring 10.78 x 2.62
7	0.008.5291.0/10	1	pin
8	2.0512.102.7	1	screw m 6 p.1 x 8
9	0.010.1075.2/10	1	lever
10	2.0439.002.1	2	stud bolt m 8 p.1.25 x 20

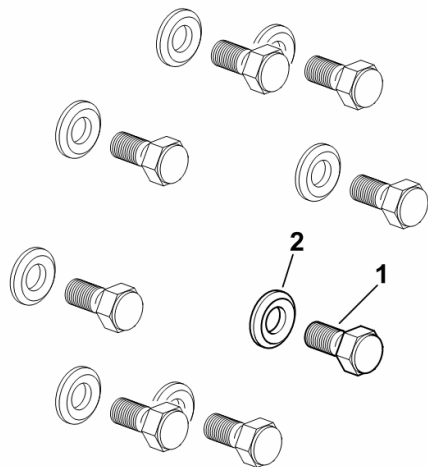


Section: S0 - WHEELS
REAR WHEEL BOLTS

Fig.	Code	QTY	Name
------	------	-----	------

Notes:
 [Agroplus F 90 -> 3001]

1	2.0399.129.6	16	screw m 18 p.1.5 x 38
2	2.1599.501.6/10	16	washer 19 x 40 x 7.5



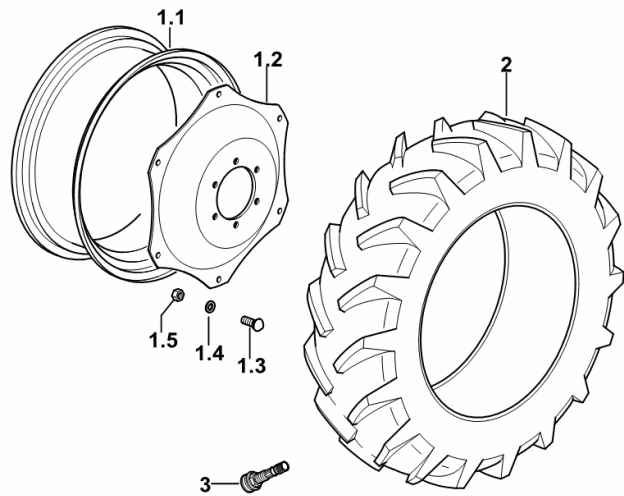
9_49055_03_0-A-001

Section: S0 - WHEELS
WHEELS 280/70 R20"

Fig.	Code	QTY	Name
------	------	-----	------

Notes:
 [Agroplus F 90 -> 3001]

1.1	0.013.4310.3	1	rim W 10x20" C/ST
1.2	0.010.4301.0	1	rim center flange
1.3	2.0099.005.6	6	screw m 16 p.1.5 x 38
1.4	2.1499.019.6	6	washer 16.3 x 31.5
1.5	2.1019.059.6	6	nut m 16 p.1.5 x 16
2	2.4811.122.0	2	tyre 280/70 R20"
3	0.012.6364.0	2	valve



9_16255_20_0-A-001

CLICK HERE TO **DOWNLOAD** THE COMPLETE MANUAL

- Thank you very much for reading the preview of the manual.
- You can download the complete manual from: www.heydownloads.com by clicking the link below



- Please note: If there is no response to CLICKING the link, please download this PDF first and then click on it.

CLICK HERE TO **DOWNLOAD** THE COMPLETE MANUAL