

# Agroplus 95

## ACCESSORIES

### GENERAL

4-WAY AUXILIARY DISTRIBUTOR SALAMI.....	0E.00.1
4/8-WAY AUXILIARY DISTRIBUTOR SALAMI.....	0E.00.2
4-WAY HYDRAULIC CONTROL VALVE SALAMI.....	0E.00.3
8-WAY AUXILIARY DISTRIBUTOR SALAMI.....	0E.00.4
8-WAY AUXILIARY DISTRIBUTOR SALAMI.....	0E.00.5
4-WAY AUXILIARY DISTRIBUTOR BOSCH.....	0E.00.6
4-WAY CONTROL VALVES - OIL RECOVERY.....	0E.00.7
4-WAY HYDRAULIC CONTROL VALVE BOSCH.....	0E.00.8
8-WAY AUXILIARY DISTRIBUTOR BOSCH.....	0E.00.9
8-WAY CONTROL VALVES - OIL RECOVERY.....	0E.00.10
8-WAY AUXILIARY DISTRIBUTOR BOSCH.....	0E.00.11
4-WAY QUICK COUPLERS.....	0E.00.12
8-WAY QUICK COUPLERS.....	0E.00.13
8-WAY QUICK COUPLERS.....	0E.00.14
OIL REGULATOR CONTROL.....	0E.00.15
BRACKET.....	0E.00.17
3 POINT HITCH.....	0E.00.18
3-POINT LINKAGE WITH AUTOMATIC COUPLERS A = mm 34.....	0E.00.20
3-POINT LINKAGE WITH AUTOMATIC COUPLERS A = mm 34.....	0E.00.21
3-POINT LINKAGE WITH AUTOMATIC COUPLERS A = mm 30.....	0E.00.22
3 POINT HITCH.....	0E.00.23
3-POINT HITCH - ADJUSTABLE RH LIFT RODS.....	0E.00.25
3-POINT HITCH WITH HYDRAULIC LIFT ROD dx/rh/re.....	0E.00.27
3 POINT HITCH.....	0E.00.29
3 POINT HITCH.....	0E.00.30
MANUAL LATERAL STABILIZERS.....	0E.00.31
THREE-POINT HITCH - AUTOMATIC LATERAL STABILIZERS.....	0E.00.32
BRACKET FOR TOP LINK SUPPORT SPRING.....	0E.00.33
TOWING BAR.....	0E.00.34
PICK-UP-HITCH.....	0E.00.35
FRONT TOWING HITCH.....	0E.00.37
FRONT TOWING HITCH.....	0E.00.38
REAR TOWING HITCH.....	0E.00.39
REAR TOWING HITCH CAT. " D2 ".....	0E.00.40
REAR TOWING HITCH CAT: "D2" GRASSI.....	0E.00.41
REAR TOWING HITCH CAT: "D3" GRASSI.....	0E.00.42
REAR TOWING HITCH CAT. " D3 ".....	0E.00.43
DRAWBAR COUPLING CAT: "D" - ITALY.....	0E.00.44
REAR TOWING HITCH CAT: "C".....	0E.00.45
REAR TOWING HITCH EXPORT CH.....	0E.00.46

CLICK HERE TO **DOWNLOAD** THE COMPLETE MANUAL

- Thank you very much for reading the preview of the manual.
- You can download the complete manual from: [www.heydownloads.com](http://www.heydownloads.com) by clicking the link below



- Please note: If there is no response to CLICKING the link, please download this PDF first and then click on it.

CLICK HERE TO **DOWNLOAD** THE COMPLETE MANUAL

Section: ACCESSORIES  
**4-WAY CONTROL VALVES - OIL RECOVERY**

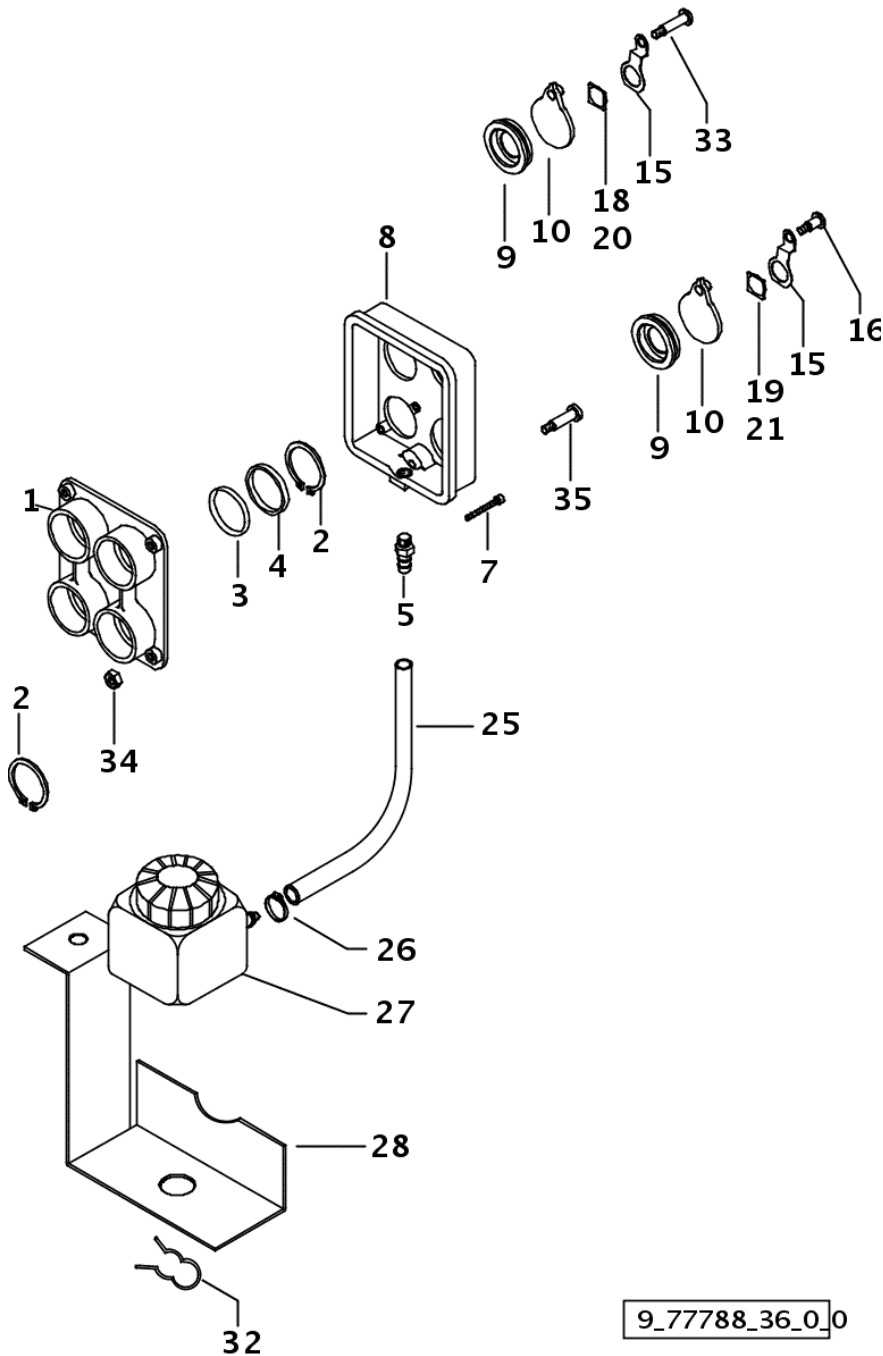


Fig.	Code	QTY	Name
------	------	-----	------

Notes:  
 - FOR TYPES WITH BOSCH AUXILIARY SERVICE CONTROL VALVE.

1	0.011.6242.0	1	flange
2	2.1410.015.2	8	circlip 38
3	2.1531.095.0	4	ring 36.17x 2.62
4	2.1549.462.2	4	spacer 38x47,5x5
5	2.3249.031.2	1	pipe fitting m 10
7	2.0312.112.2	1	screw m 6 p.1 x 35
8	0.011.6241.0	1	cover
9	0.010.8475.0/10	4	dust guard
10	0.011.6303.0	4	small cover
15	0.011.6304.0/10	4	small leaf spring
16	2.0399.264.3	2	screw m 6 x 20
18	0.010.8477.0	1	warning light + RED
19	0.010.8478.0	1	warning light - RED
20	0.010.8479.0	1	warning light + GREEN
21	0.010.8480.0	1	warning light - GREEN
25	0.012.9660.0	0	tube
26	2.6850.002.0	1	clamp 12-22
27	0.011.0212.3	1	tank
			COMPONENT PARTS SEE COMPONENTS LIST
			☞ 0.011.0212.3
			☞ 0E.00.108
28	0.011.3192.0	1	bracket
32	0.171.6656.0	1	small spring
33	2.0399.261.3	2	screw m 5 x 35
34	2.1011.102.2	4	nut m 5 p.0.7
35	2.0399.265.3	2	screw m5x42

9\_77788\_36\_0\_0

Section: ACCESSORIES  
**BRACKET**

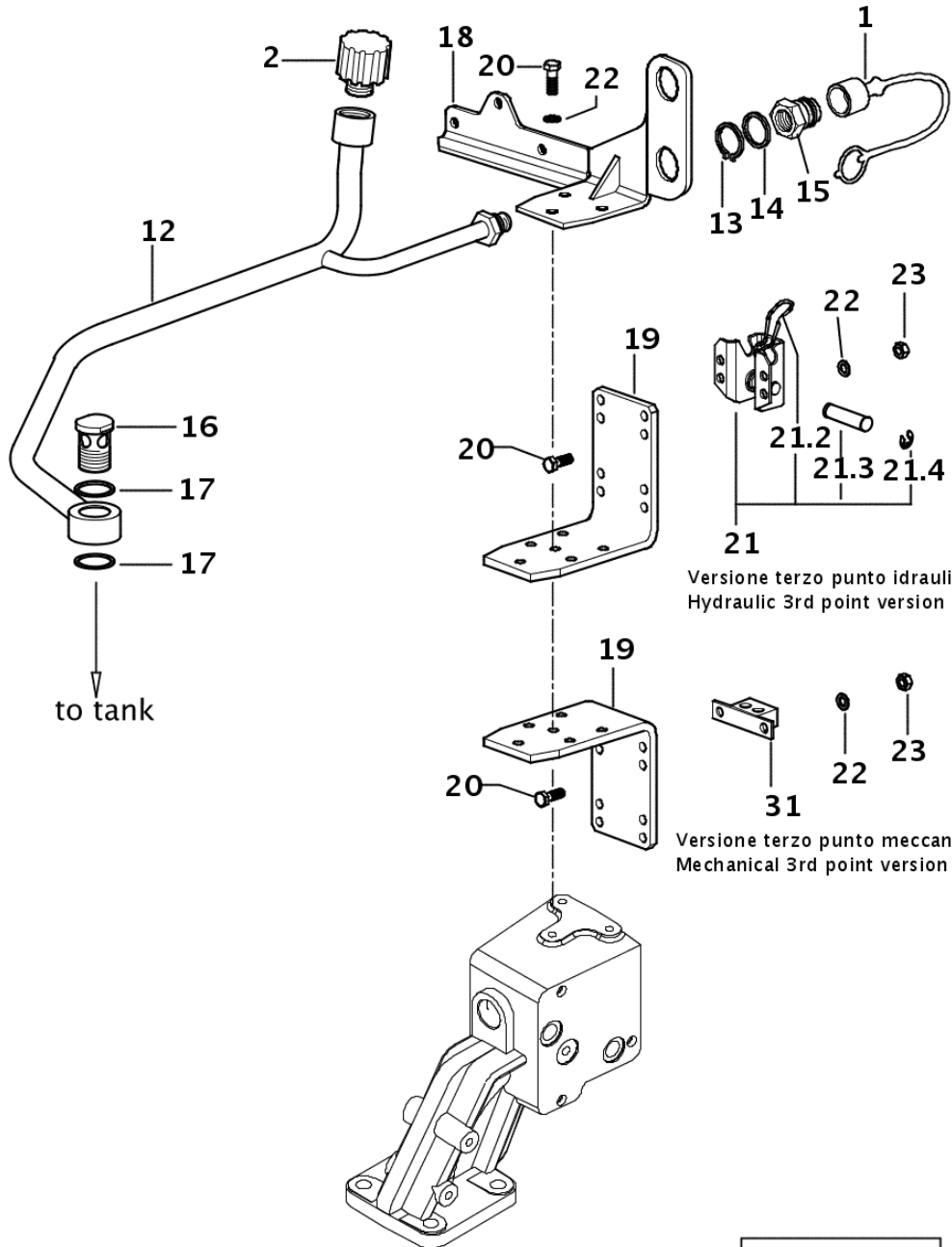


Fig.	Code	QTY	Name
1	0.009.3149.0	1	plug
2	2.3199.255.0	1	plug
12	0.012.1553.3	1	tube
13	2.1410.011.7	1	circlip 28
14	2.1560.054.0	1	gasket 21 x 26
15	0.98309.51.3/10	1	coupling 1/2
16	2.3339.907.2/10	1	pipe union 1"
17	2.1560.026.0	2	gasket 35.3x41
18	0.012.3297.2	1	bracket
19	0.011.6011.0/10	1	bracket
20	2.0112.209.2	7	screw m 8 p 1.25 x 25
21	0.009.3492.4/40	0	stop
21.2	2.4099.088.2/10	1	spring
21.3	2.1699.386.2	1	pin 12x42
21.4	2.1410.002.1	2	circlip 12
22	2.1310.004.2	7	flat washer 8.5
23	2.1011.105.2	4	nut m 8 p.1.25
31	0.012.3298.2	0	support

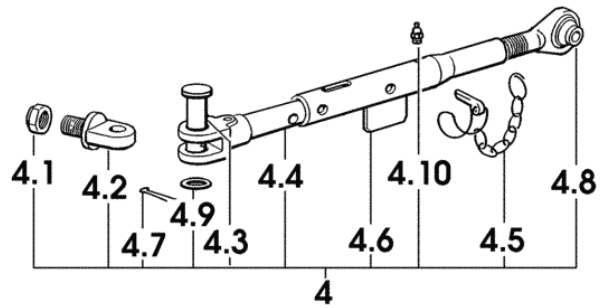
Versione terzo punto idraulico  
Hydraulic 3rd point version 31

Versione terzo punto meccanico  
Mechanical 3rd point version

9\_77788\_80\_0\_0

**MANUAL LATERAL STABILIZERS**

Fig.	Code	QTY	Name
4	0.010.5219.4	2	stabiliser
4.1	2.1011.412.2	1	nut m 24 p.2
4.2	0.96037.51.0/40	1	pin
4.3	2.1671.917.2	1	pin
4.4	0.010.0514.3/10	1	rod
4.5	0.96001.57.4/10	1	pin
4.6	0.010.5223.2	1	tube
4.7	2.1690.513.2	1	split pin 5 x 36
4.8	0.96014.14.3	1	rod
4.9	2.1311.012.2	1	flat washer 20
4.10	2.3820.105.2	1	lubricator m 10 p.1 x 7



9\_77858\_01\_0\_0

**REAR TOWING HITCH CAT: "D3" GRASSI**

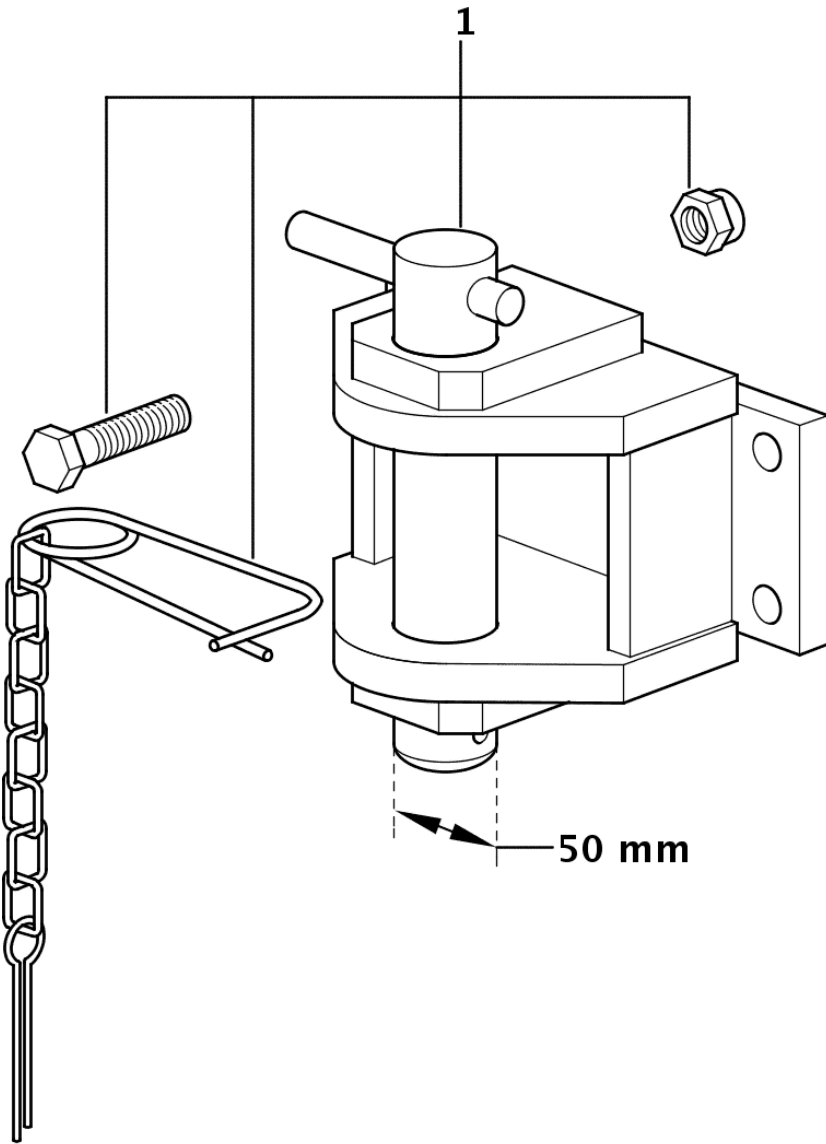
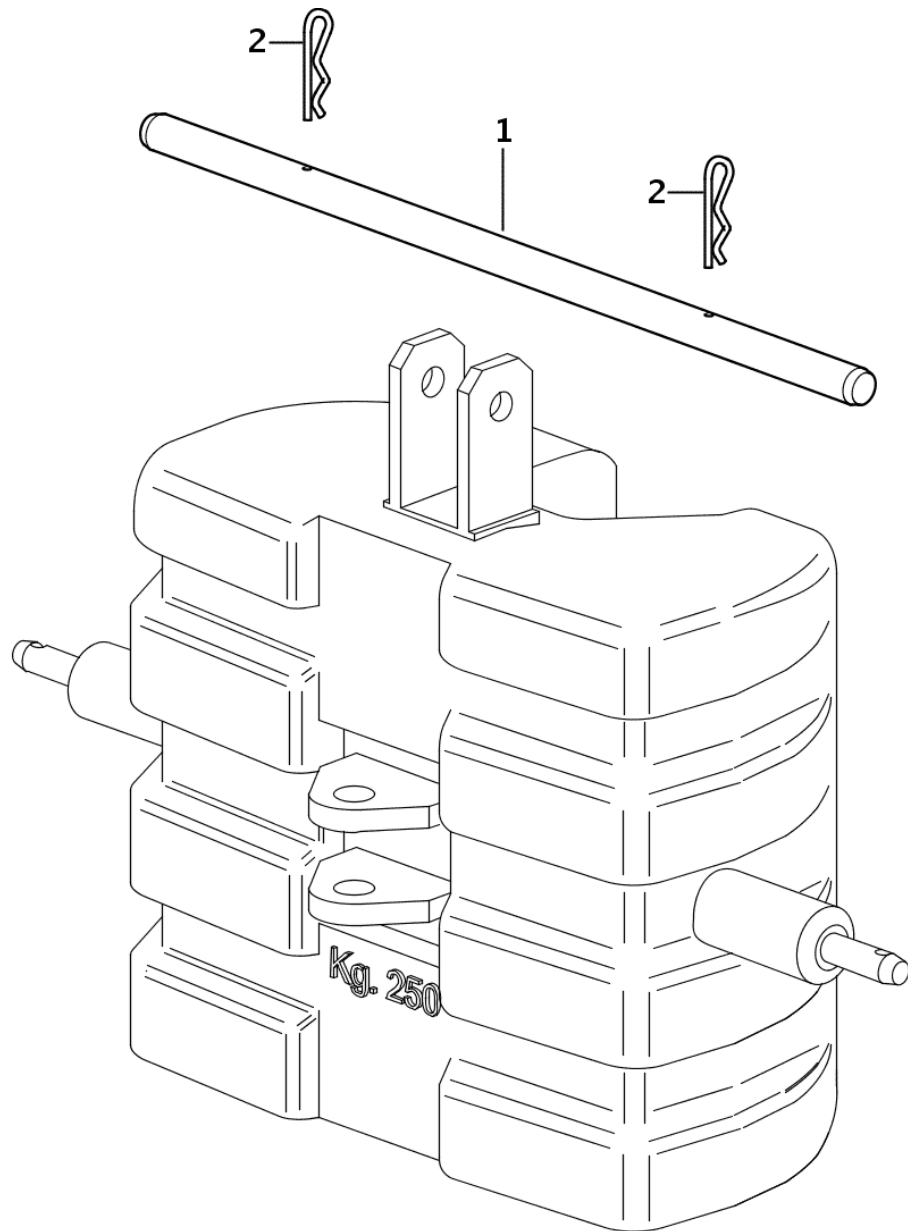


Fig.	Code	QTY	Name
1	0.011.5644.4	1	clevis cat. D3 - GRASSI - COMPONENT PARTS SEE COMPONENTS LIST ☞ 0.011.5644.4 ☞ 0E.00.129

9\_77831\_73\_0

Section: ACCESSORIES  
**BALLAST LOCK BAR**

Fig.	Code	QTY	Name
1	0.010.4821.0	1	rod 30x780
2	2.1699.084.2	2	pin Ø 27



Section: ACCESSORIES

**AIR BRAKING FOR 'EXPORT D' TRAILER**

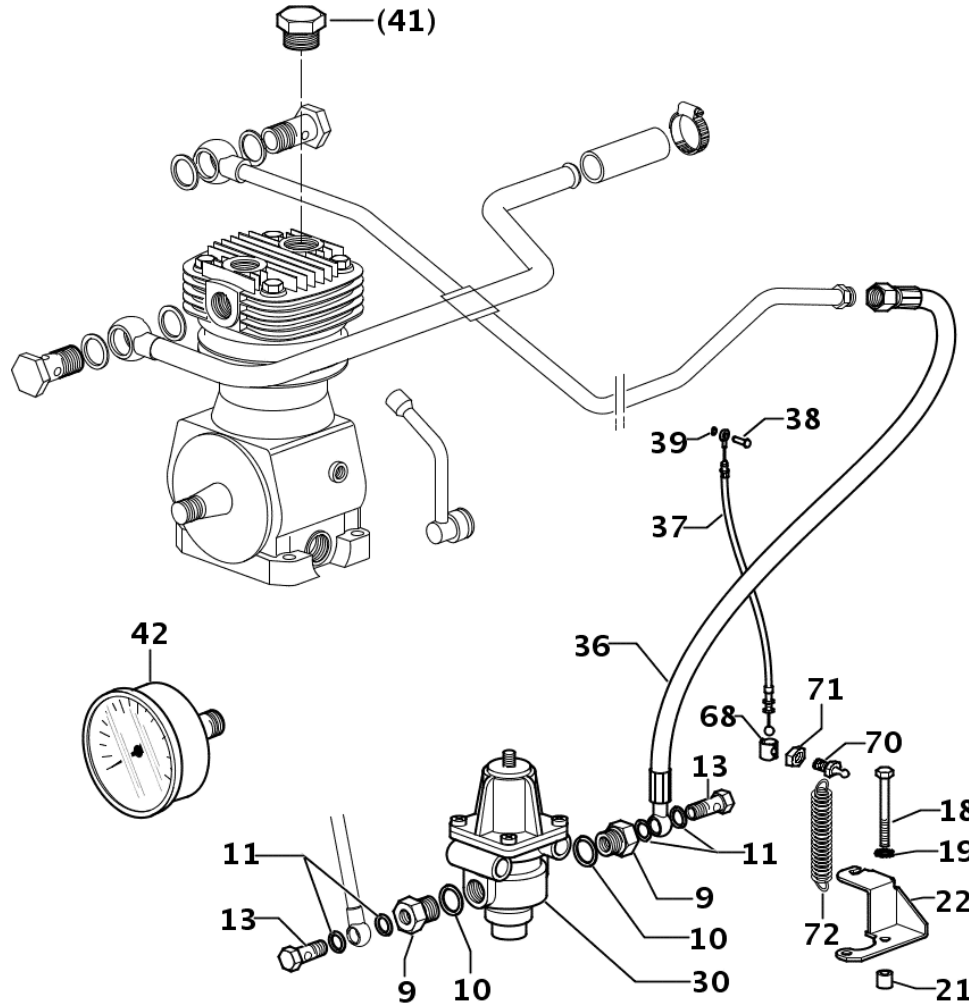
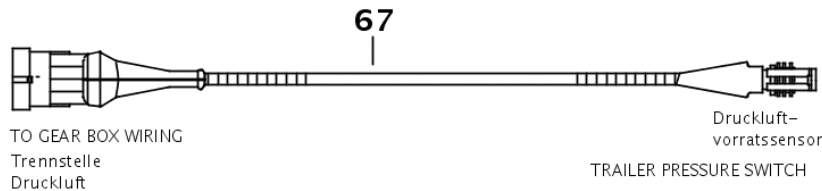


Fig.	Code	QTY	Name
9	2.3339.766.2	8	reduction m 22 p.1.5/m 14 p.1.5
10	2.1560.017.0	8	gasket 22.2 x 27
11	2.1560.010.0	18	gasket 14.2 x 20 x 1.5
13	2.3332.004.2	6	pipe union m 14 p.1.5 x 27
18	2.0112.223.2	4	screw m 8 p.1.25x70
19	2.1470.004.2	4	washer 8
21	2.1579.825.0	2	spacer
22	0.011.3979.2/10	1	bracket
30	04398756	1	valve
			COMPONENT PARTS SEE COMPONENTS LIST
			☞ 04398756
			☞ 0E.00.138
36	0.011.4045.3	1	tube
37	0.011.4121.3	1	cable
38	2.1699.307.2	1	pin 23x27.5x12
39	2.1430.008.7	1	circlip 7
41	01179535	2	pipe fitting m 26x1,5/15 1858 <- X Agroplus 75 2742 <- X Agroplus 85 1781 <- X Agroplus 95
42	0.011.9433.0	1	air gauge 10 bar
67	04425704.4	1	electrical system
68	0.257.6757.0	1	spring
70	0.009.8760.0	1	ball joint
71	2.1120.005.2	1	nut m 8 p.1.25
72	2.4049.149.0	1	spring



9\_77889\_24\_0\_C

**LUBRICATOR**

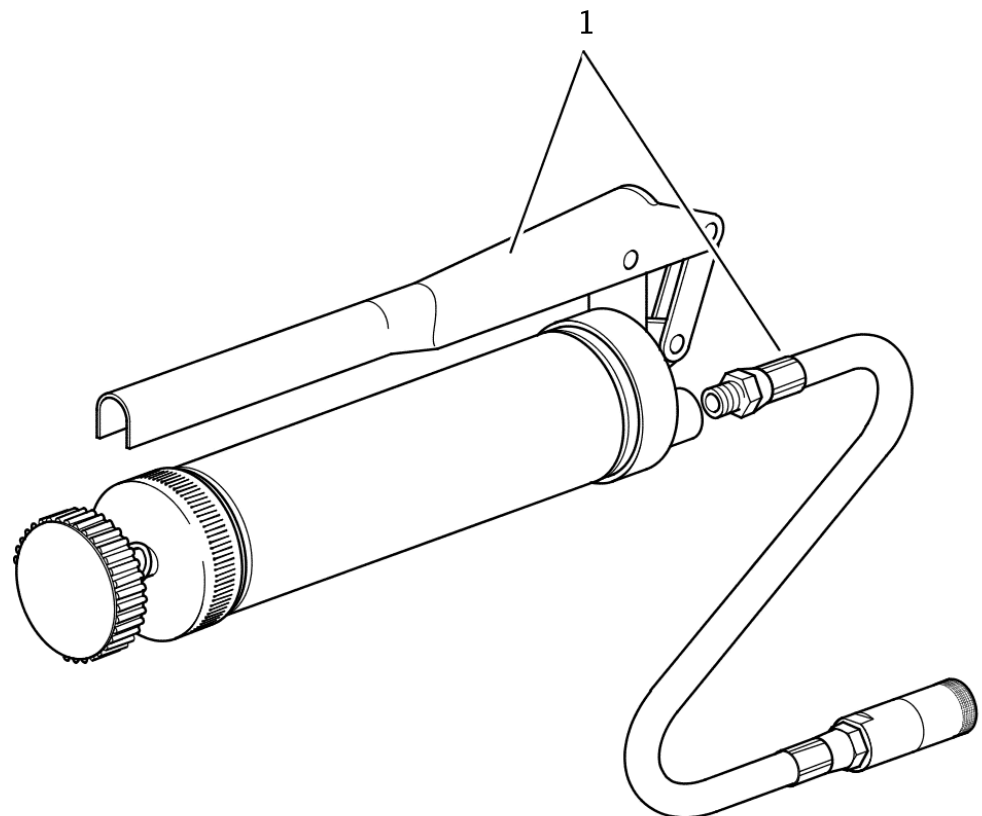


Fig.	Code	QTY	Name
1	0.011.6506.3	1	lubricator

9\_59273\_01\_0\_0

Section: BODY WORK  
**WATER COOLING**

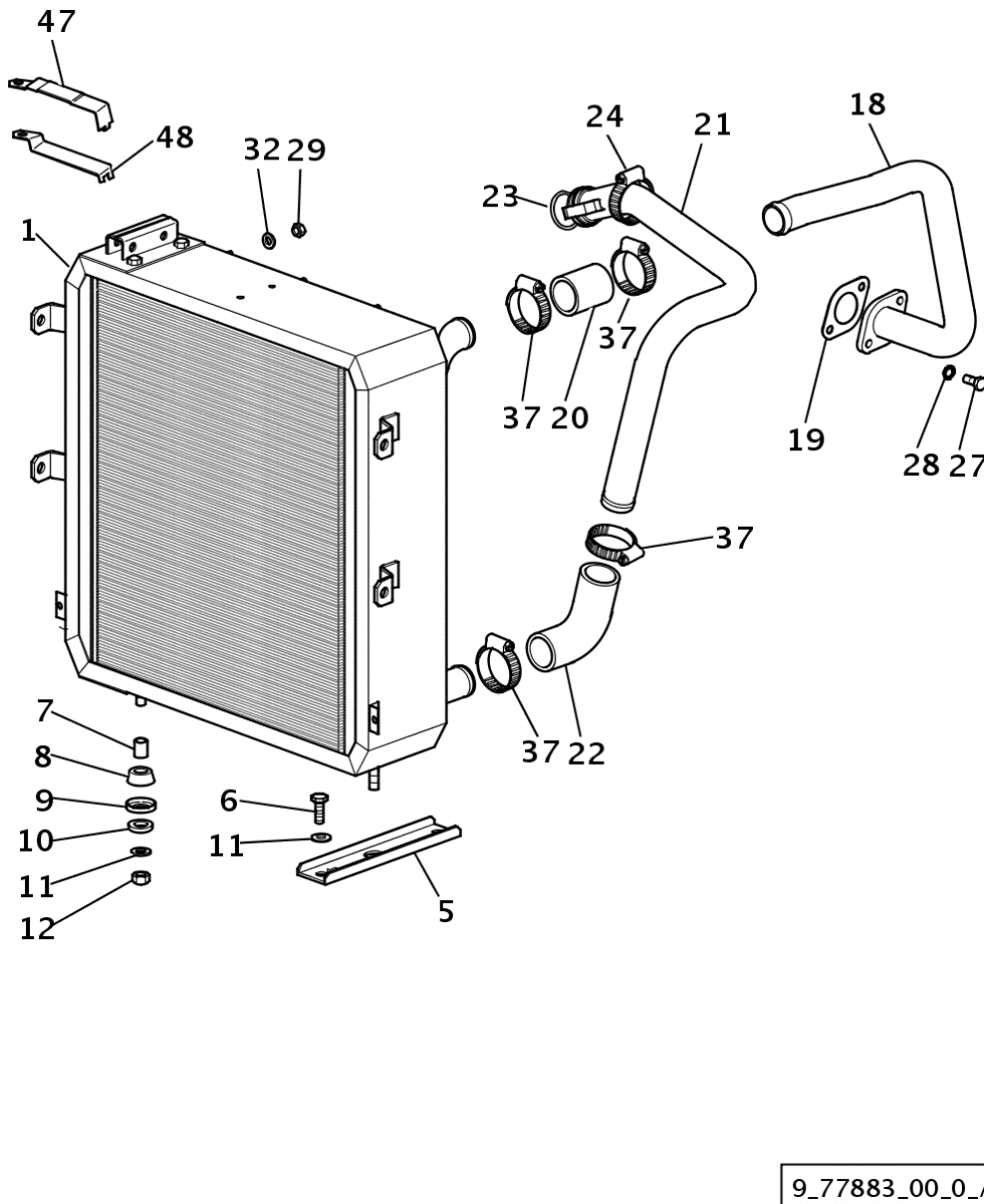


Fig.	Code	QTY	Name
1	0.010.6105.3/40	1	water cooler 1028 <- X Agroplus 75 1010 <- X Agroplus 85 1009 <- X Agroplus 95
1	0.010.6105.3/50	1	water cooler -> 1029 - 1272 <- X Agroplus 75 -> 1011 - 1375 <- X Agroplus 85 -> 1010 - 1295 <- X Agroplus 95
1	0.010.6105.3/70	1	water cooler -> 1273 - 1556 <- X Agroplus 75 -> 1376 - 1897 <- X Agroplus 85 -> 1296 - 1529 <- X Agroplus 95
1	0.010.6105.3/80	1	water cooler -> 1557 X Agroplus 75 -> 1898 X Agroplus 85 -> 1530 X Agroplus 95
5	0.010.7877.0/10	2	support 1028 <- X Agroplus 75 1010 <- X Agroplus 85 1009 <- X Agroplus 95
5	0.010.7877.0/20	2	support -> 1029 X Agroplus 75 -> 1011 X Agroplus 85 -> 1010 X Agroplus 95
6	2.0422.303.2	4	stud bolt m 10 p.1.5 x 20 1556 <- X Agroplus 75 1897 <- X Agroplus 85 1529 <- X Agroplus 95
6	2.0112.307.2	4	screw m 10 p.1.5 x 20 -> 1557 X Agroplus 75 -> 1898 X Agroplus 85 -> 1530 X Agroplus 95
7	2.1579.090.2	2	spacer 10.1x15x18
8	0.136.7385.0	2	rubber plug
9	0.136.7384.0	2	cup
10	0.136.7387.0	2	rubber plug 15x27x5
11	2.1310.006.2	6	flat washer 10.5
12	2.1011.106.2	6	nut m 10 p.1.5 1556 <- X Agroplus 75 1897 <- X Agroplus 85 1529 <- X Agroplus 95
12	2.1011.106.2	2	nut m 10 p.1.5 -> 1557 X Agroplus 75 -> 1898 X Agroplus 85

Section: BODY WORK

**DASHBOARD - STEERING COVER - FOR TYPES WITH POWERSHUTTLE**

9\_77874\_00\_0\_0

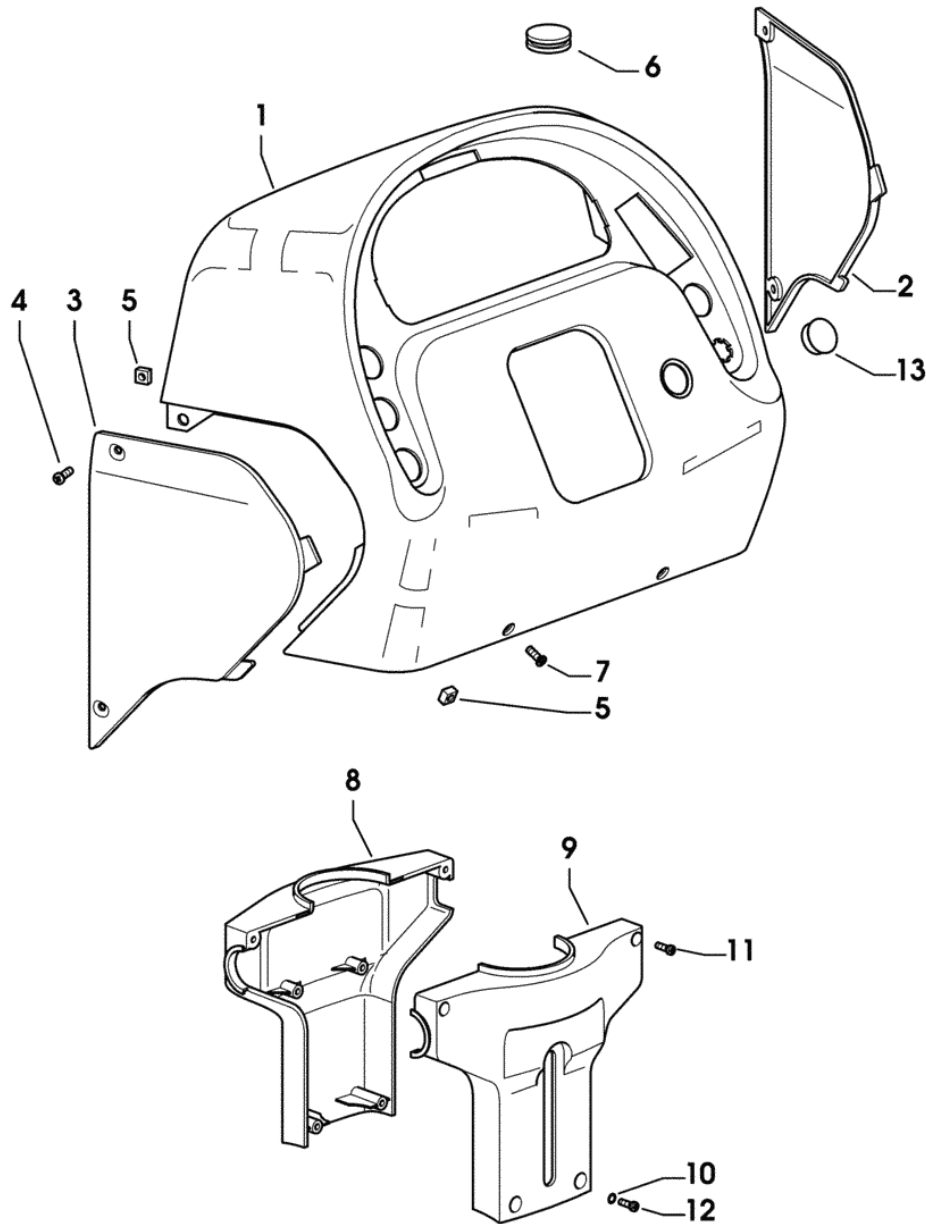


Fig.	Code	QTY	Name
------	------	-----	------

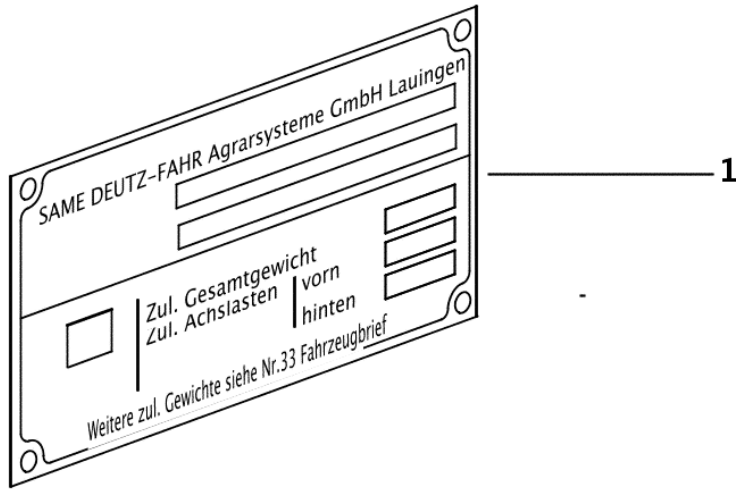
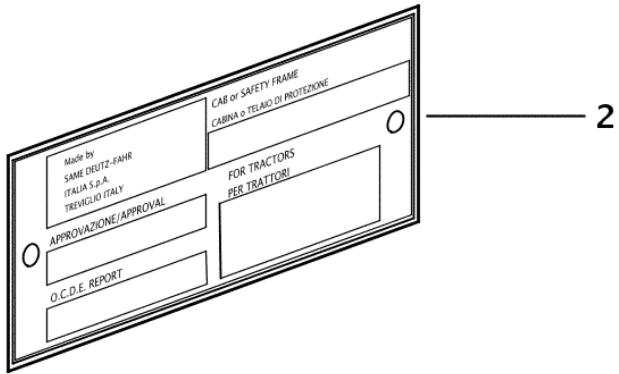
Notes:

- FOR MODELS WITH CAB

1	0.010.8224.0/10	1	instrument holder
2	0.009.7788.0/20	1	right h.side panel dx/rh/re
3	0.009.7789.0/20	1	lift hand side panel sx/lh/li
4	2.0322.407.3	4	screw m 6 p.1 x 20
5	2.6999.024.2	4	special nut m 6
6	2.3199.115.0	4	plug 38x12
7	2.0332.406.3	2	screw m 6 p.1.0 x 16
8	0.011.0850.2	1	cover
9	0.011.0851.0	1	cover
10	2.1470.001.2	4	lock washer 5
11	2.0332.306.2	2	screw m 5x0.8x16
12	2.0332.310.2	4	screw m 5 x 35
13	0.011.6915.0	1	plug 27.8-28.6/30.9

Section: BODY WORK  
**PLATES EXPORT D**

Fig.	Code	QTY	Name
1	0.000.0000.1	0	not serviceable
2	2.9919.966.0/30	1	plate



Section: BODY WORK

**4WD - SELF-ADJUSTING FRONT FENDERS - FOR TYPES WITHOUT "ASM SYSTEM" mm 310**

9\_77876\_12\_0\_0

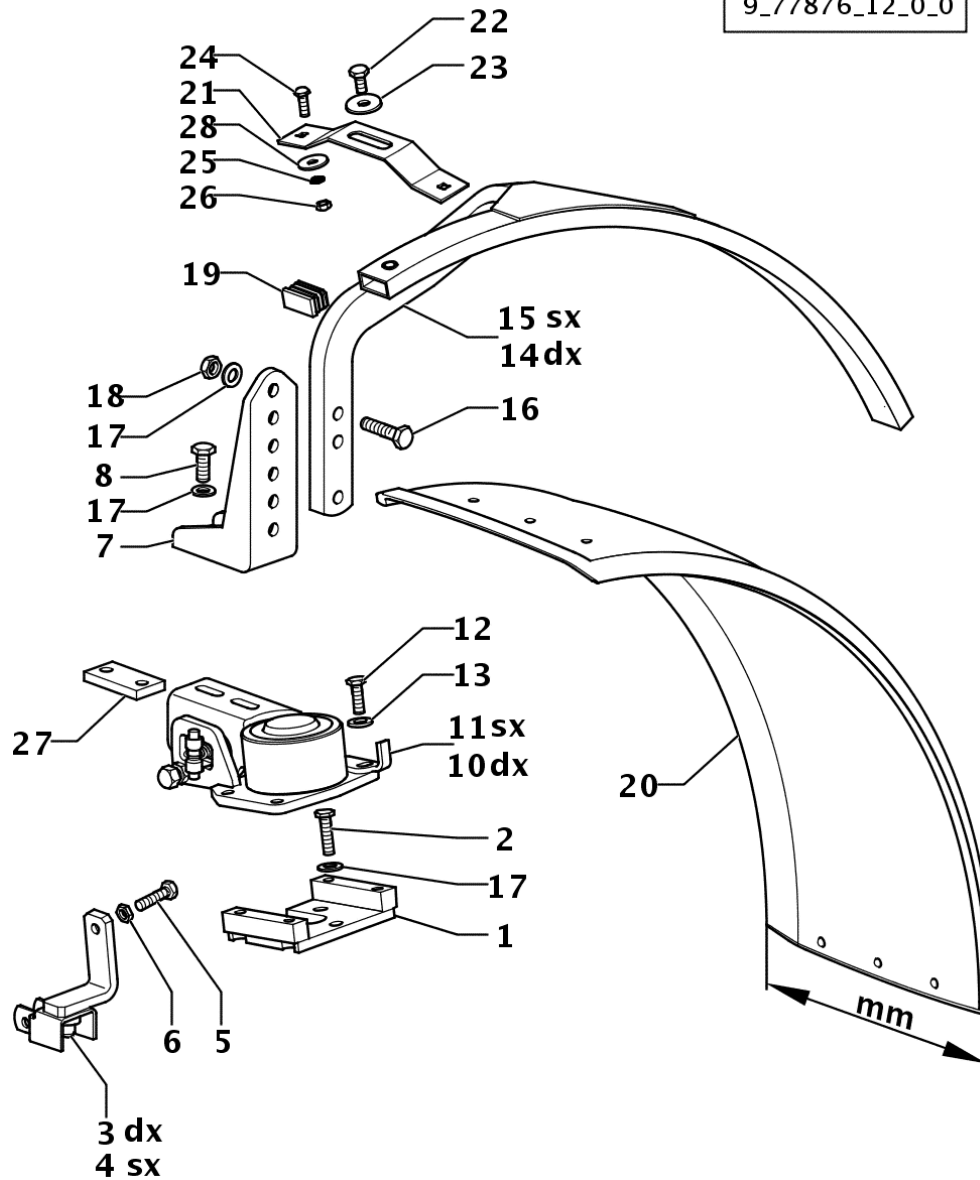
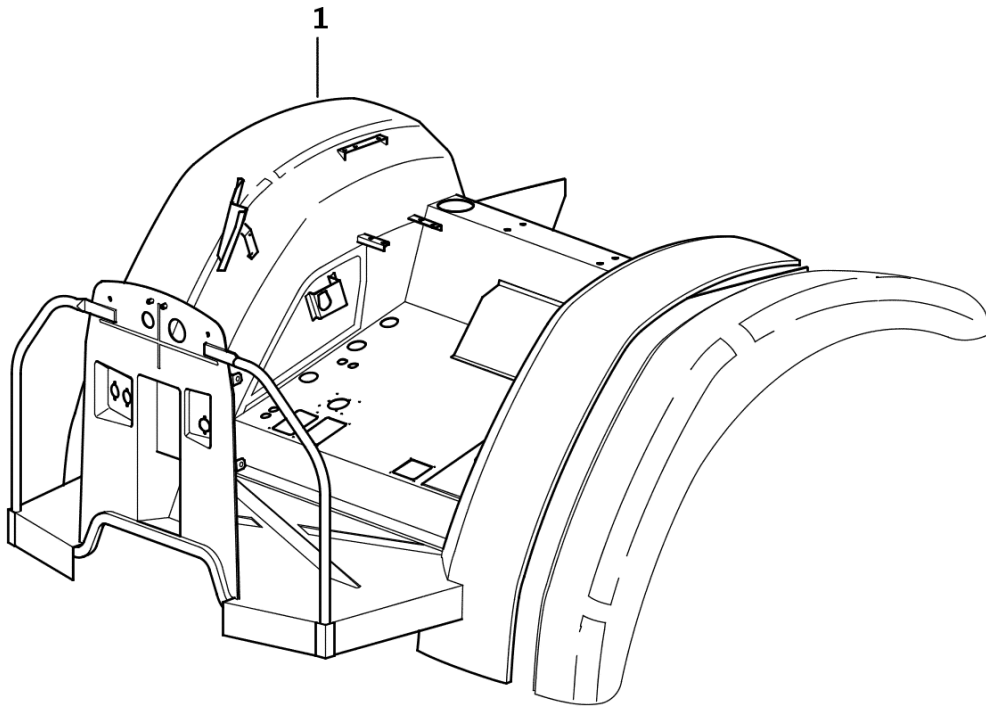


Fig.	Code	QTY	Name
1	0.011.3341.2/10	2	plate dx/rh/re
2	2.0112.415.2	6	screw m 12 p.1.75 x 40
3	0.011.1416.3/10	1	bracket dx/rh/re
4	0.011.1428.3/10	1	bracket sx/lh/li
5	2.0112.313.2	2	screw m 10 p.1.5 x 35
6	2.1011.006.2	2	nut m 10 p.1.5
7	0.011.3409.0	2	bracket
8	2.0112.411.2	4	screw m 12 p.1.75 x 30
10	0.011.3452.4/10	1	support dx/rh/re COMPONENT PARTS SEE COMPONENTS LIST ☞ 0.011.3452.4/10 ☞ 07.00.38
11	0.011.3457.4/10	1	support sx/lh/li COMPONENT PARTS SEE COMPONENTS LIST ☞ 0.011.3457.4/10 ☞ 07.00.39
12	2.0112.311.2	8	screw m 10 p.1.5 x 30
13	2.1475.003.7	8	washer 10.5
14	0.011.3619.2	1	chassis frame dx/rh/re
15	0.011.3618.2	1	chassis frame sx/lh/li
16	2.0112.417.2	8	screw m 12 p.1.75 x 45
17	2.1475.004.2	14	washer 12
18	2.1011.107.2	4	nut m 12 p.1.75
19	0.010.9844.0	4	plug
20	0.163.7632.5/10	2	fender mm 310
21	0.010.9845.0/10	6	plate
22	2.0112.307.2	6	screw m 10 p.1.5 x 20
23	2.1599.082.0	6	washer 11 x 35 x 3
24	2.0029.503.6	12	screw m 8 x 25
25	2.1470.004.2	12	washer 8
26	2.1011.105.2	12	nut m 8 p.1.25
27	0.011.3407.0/10	2	small plate
28	2.1599.584.2	12	snoulder 9 x 30 x 2

Fig.	Code	QTY	Name
1	0.010.9243.3/20	1	platform



9\_77876\_03\_0\_A

**SAFETY ARCH**

9\_77878\_00\_0\_0

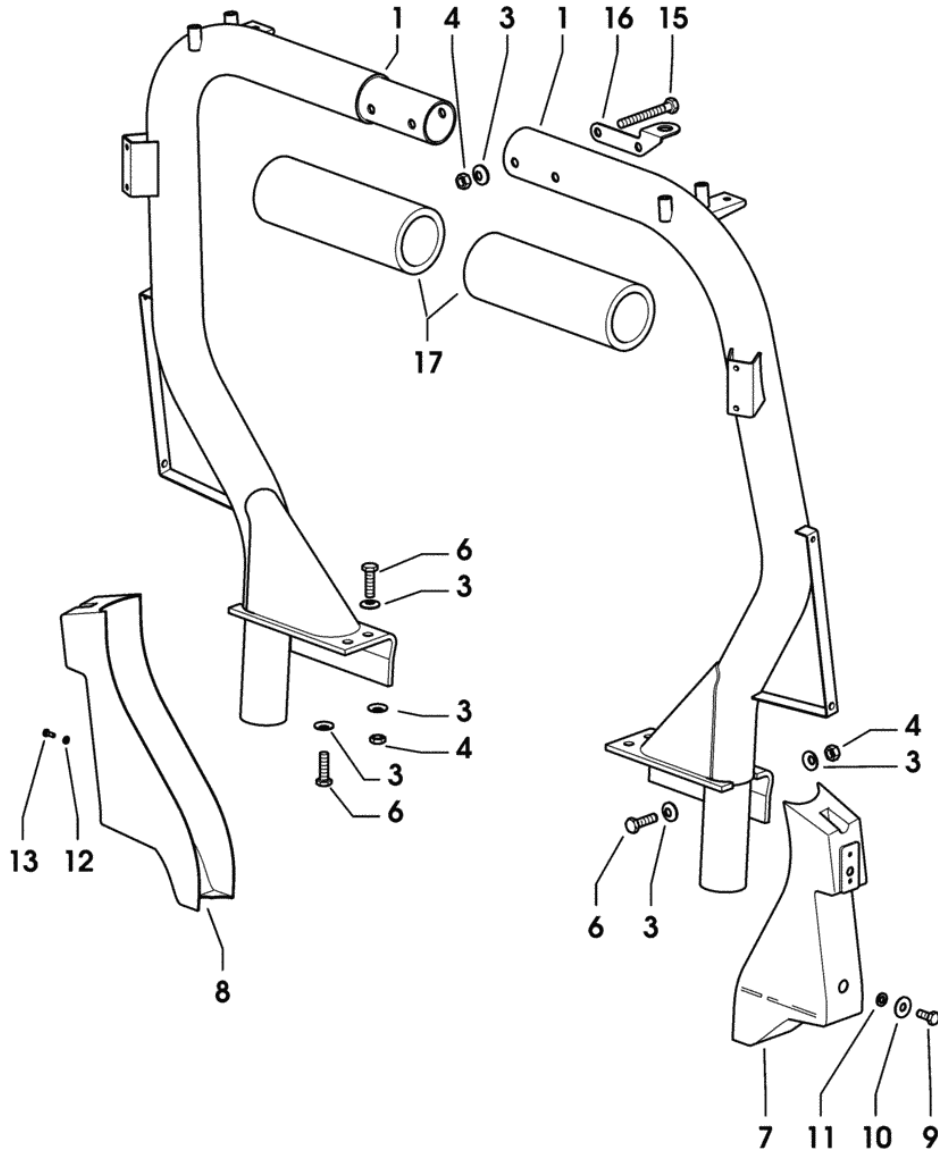


Fig.	Code	QTY	Name
1	0.010.9225.4/30	1	safety frame
3	2.1475.005.2	16	washer 14
4	2.1011.408.2	6	nut m 14 p.1.5
6	2.0123.517.2	8	screw m 14 p.1.5x45
7	0.010.9227.0/20	1	lamp support sx/lh/li
8	0.010.9226.0/20	1	lamp support dx/rh/re
9	2.0122.107.2	2	screw m 12 p.1.5x20
10	2.1312.006.2	2	washer 14.5
11	2.1579.147.2	2	spacer 12.5 x 22 x 3.0
12	2.1310.002.3	2	flat washer 6.4 x 12 x 1.6
13	2.0332.406.3	2	screw m 6 p.1.0 x 16
15	2.0123.533.2	2	screw m 14 p.1.5x120
			1562 <- X Agroplus 75
			1939 <- X Agroplus 85
			1529 <- X Agroplus 95
			1550 <- X Agroplus 100
15	2.0123.531.2	2	screw m 14 p.1.5x110
			-> 1563 X Agroplus 75
			-> 1940 X Agroplus 85
			-> 1530 X Agroplus 95
			-> 1551 X Agroplus 100
16	0.011.4338.0	1	bracket
17	0.011.4446.0	2	tube

Section: BODY WORK

**HOLDING DEVICE - WHEEL CHOCK EXPORT CH**

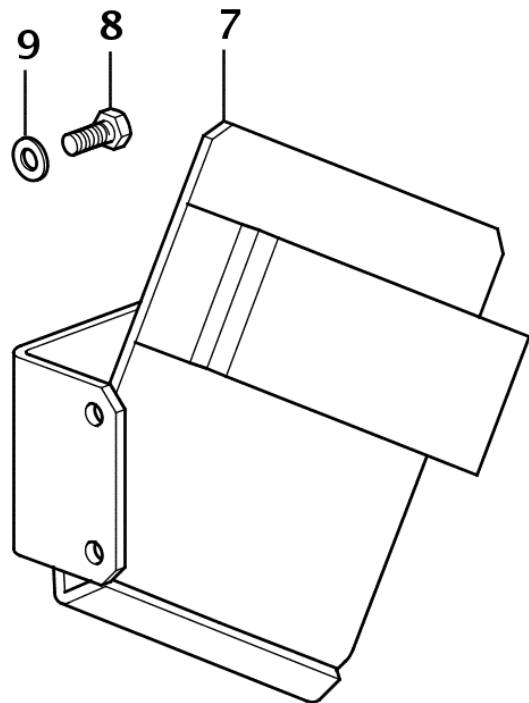


Fig.	Code	QTY	Name
7	0.011.0197.2	1	support
8	2.0112.309.2	2	screw m 10 p.1.5 x 25
9	2.1310.006.2	2	flat washer 10.5

9\_77884\_33\_0\_0

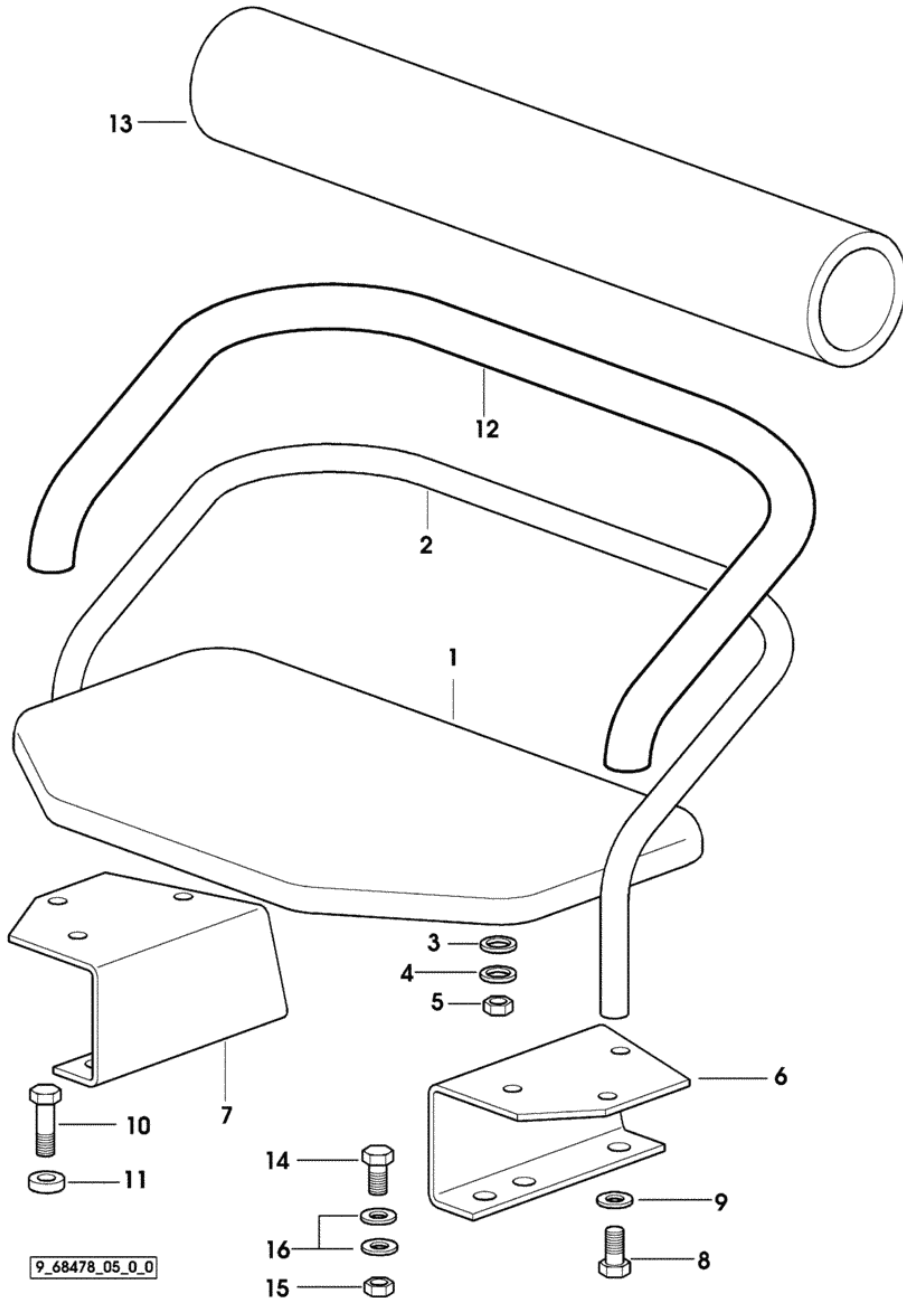
**PASSENGER SEAT - PLATFORM - FOR MODELS WITHOUT CAB**

Fig.	Code	QTY	Name
------	------	-----	------

**Notes:**

1329 <- X Agroplus 75    1518 <- X Agroplus 85    1385 <- X Agroplus 95    1336 <- X Agroplus 100

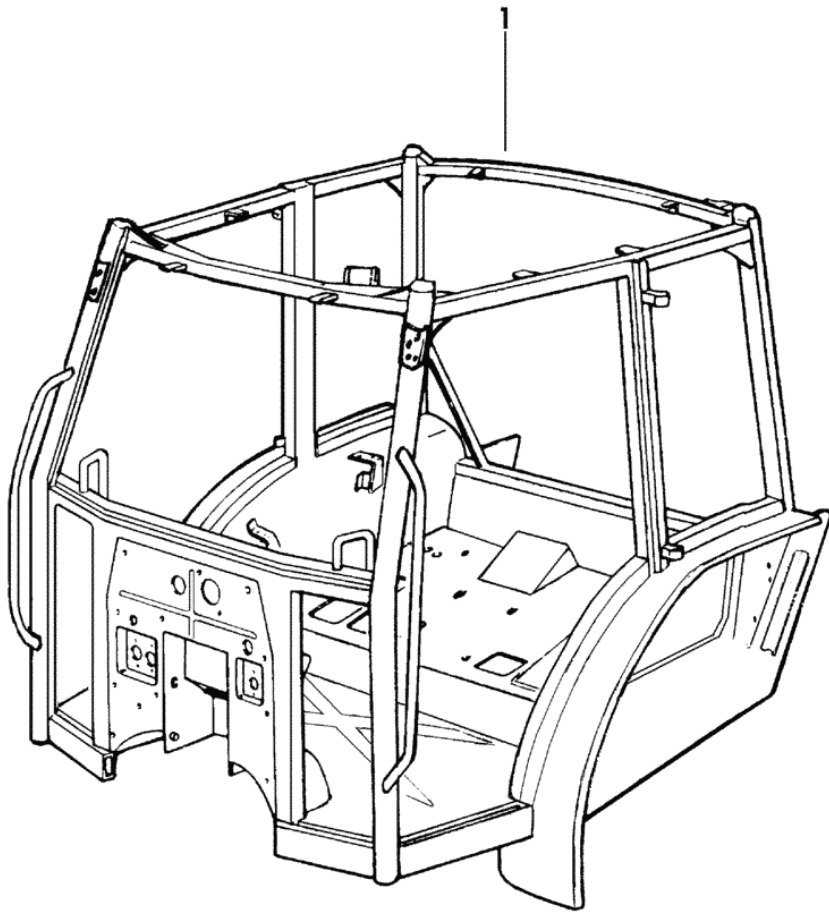
1	0.009.9189.2	1	passenger seat
2	0.009.9808.2	1	backrest
3	2.1312.003.2	4	washer 6
4	2.1470.002.2	4	washer 6, d128
5	2.1011.103.2	4	nut m 6 p.1
6	0.010.6474.0	1	bracket
7	0.010.6475.0	1	bracket
8	2.0112.309.2	2	screw m 10 p.1.5 x 25
9	2.1470.006.2	2	lock washer 10
10	2.0112.419.2	3	screw m 12 p.1.75 x 50
11	2.1579.838.2	3	spacer 13.2x25x10
12	0.009.9718.0/10	1	guard
13	0.010.6535.0	1	guard
14	2.0112.407.2	1	screw m 12 p.1.75 x 20
15	2.1011.407.2	1	nut m 12 p.1.5
16	2.1310.007.2	2	flat washer 13.5



9\_68478\_05\_0\_0

Section: CAB  
**SINGLE-STRUCTURE CAB**

Fig.	Code	QTY	Name
1	0.011.9299.4/40	1	cab



9\_77871\_01\_0\_0.TIF

Section: CAB  
**REAR WINDOW**

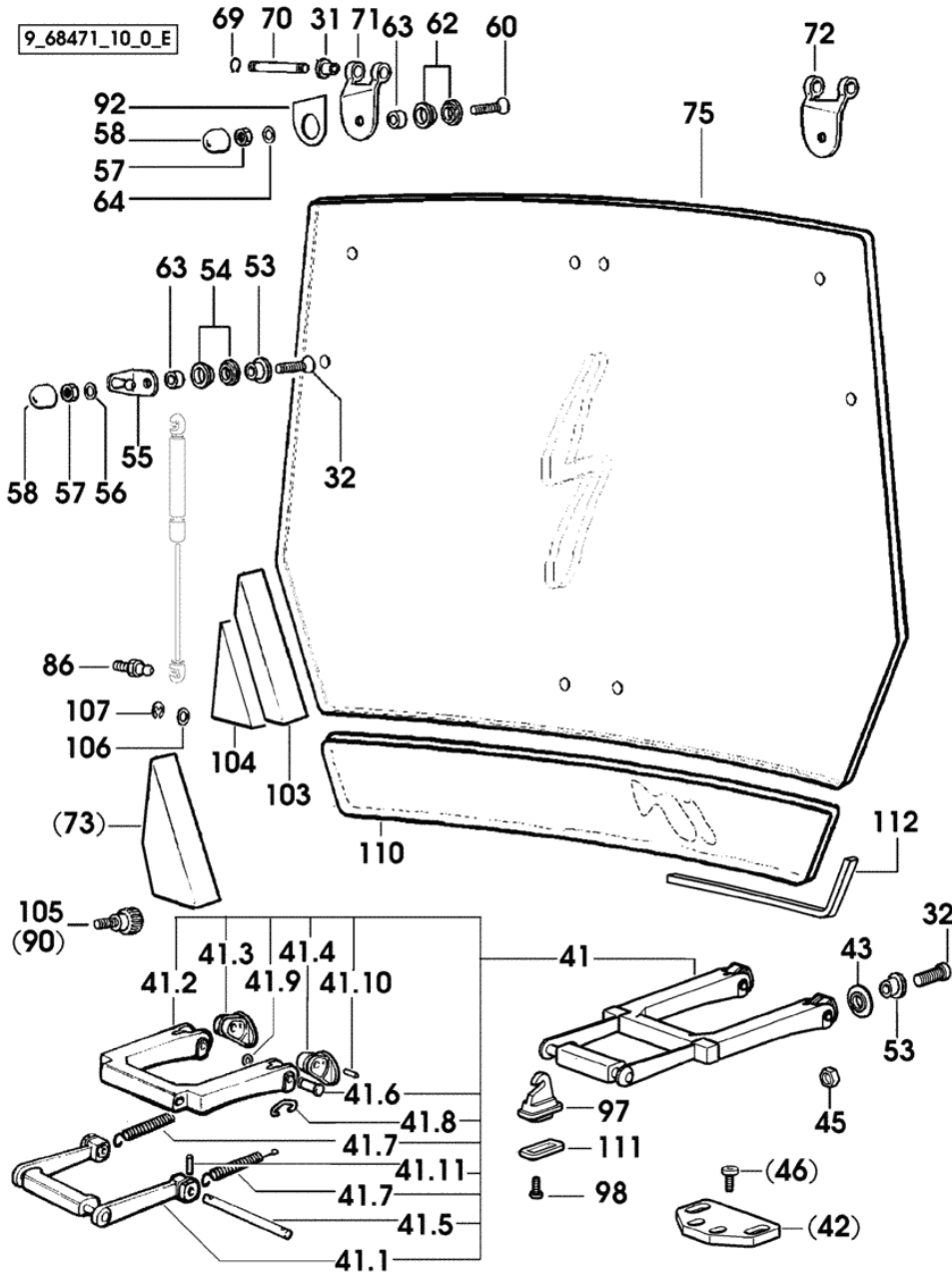


Fig.	Code	QTY	Name
------	------	-----	------

Notes:

1029 <- X Agroplus 75    1017 <- X Agroplus 85    1013 <- X Agroplus 95    1012 <- X Agroplus 100

31	2.1559.147.0	16	bushing 10 x 28 x 18
32	2.0342.308.3	6	screw m 8 p.1.25 x 30
41	0.009.0711.4/30	1	handle
41.1	0.009.0710.3/10	1	grip
41.2	0.009.0712.0/10	1	handle
41.3	0.009.0713.0	1	support dx/rh/re
41.4	0.009.0705.0	1	support sx/lh/li
41.5	2.1669.041.2/10	1	pin 8 x 174 x 164
41.6	2.1699.240.2	2	pin 8 x 35
41.7	2.4049.170.2	2	spring
41.8	0.009.0689.0	2	clevis
41.9	2.1430.007.7	2	circlip 6, d128
41.10	2.1630.210.9	2	pin 3 x 20
41.11	2.1650.309.0	2	pin 4 x 20
43	0.009.0422.0	4	gasket
45	2.1040.105.7	2	nut m 8
53	2.1499.093.0/10	6	washer 8.5
54	0.009.0422.0	8	gasket
55	0.007.6188.2	2	bracket
56	2.1310.004.2	4	flat washer 8.5
57	2.1120.105.2	8	selflock nut m 8 p.1.25
58	0.163.7856.0	8	cap
60	2.0399.173.3/10	12	screw m 8 p.1.25 x 35
62	0.009.0422.0	8	gasket
63	2.1579.450.2	4	spacer 8.5 x 14 x 12
64	2.1599.495.2	4	washer 8.5
69	2.1410.001.1	8	circlip 10
70	2.1699.428.2	2	pin 9.6 x 71.5
71	0.007.6648.2/10	1	hinge dx/rh/re
72	0.007.6647.2/10	1	hinge sx/lh/li
75	0.011.0806.0/10	1	rear window
			1614 <- X Agroplus 75
			2053 <- X Agroplus 85
			1597 <- X Agroplus 95
			1608 <- X Agroplus 100
86	0.009.8760.0	6	ball joint
92	0.010.4358.0	2	gasket
97	0.009.0700.0	2	clevis
			1062 <- X Agroplus 75
			1038 <- X Agroplus 85
			1023 <- X Agroplus 95

Section: CAB  
**CAB SOUNDPROOF PANELS**

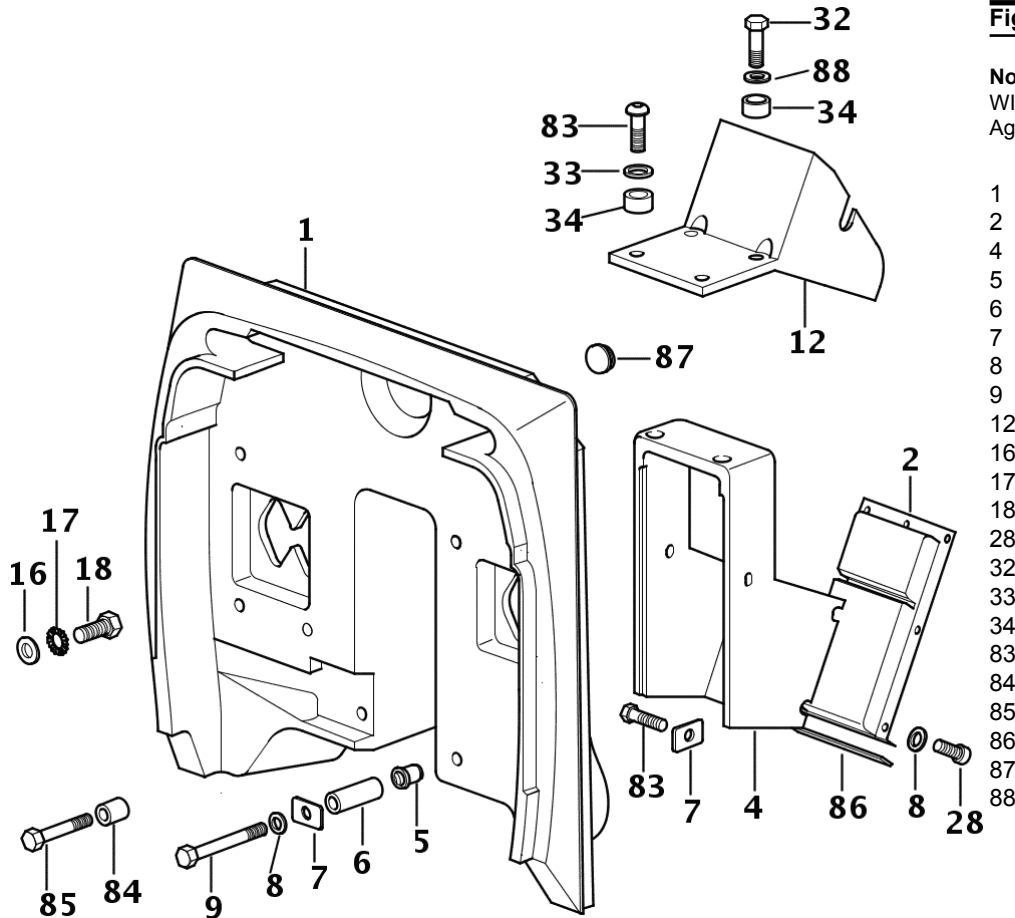


Fig.	Code	QTY	Name
------	------	-----	------

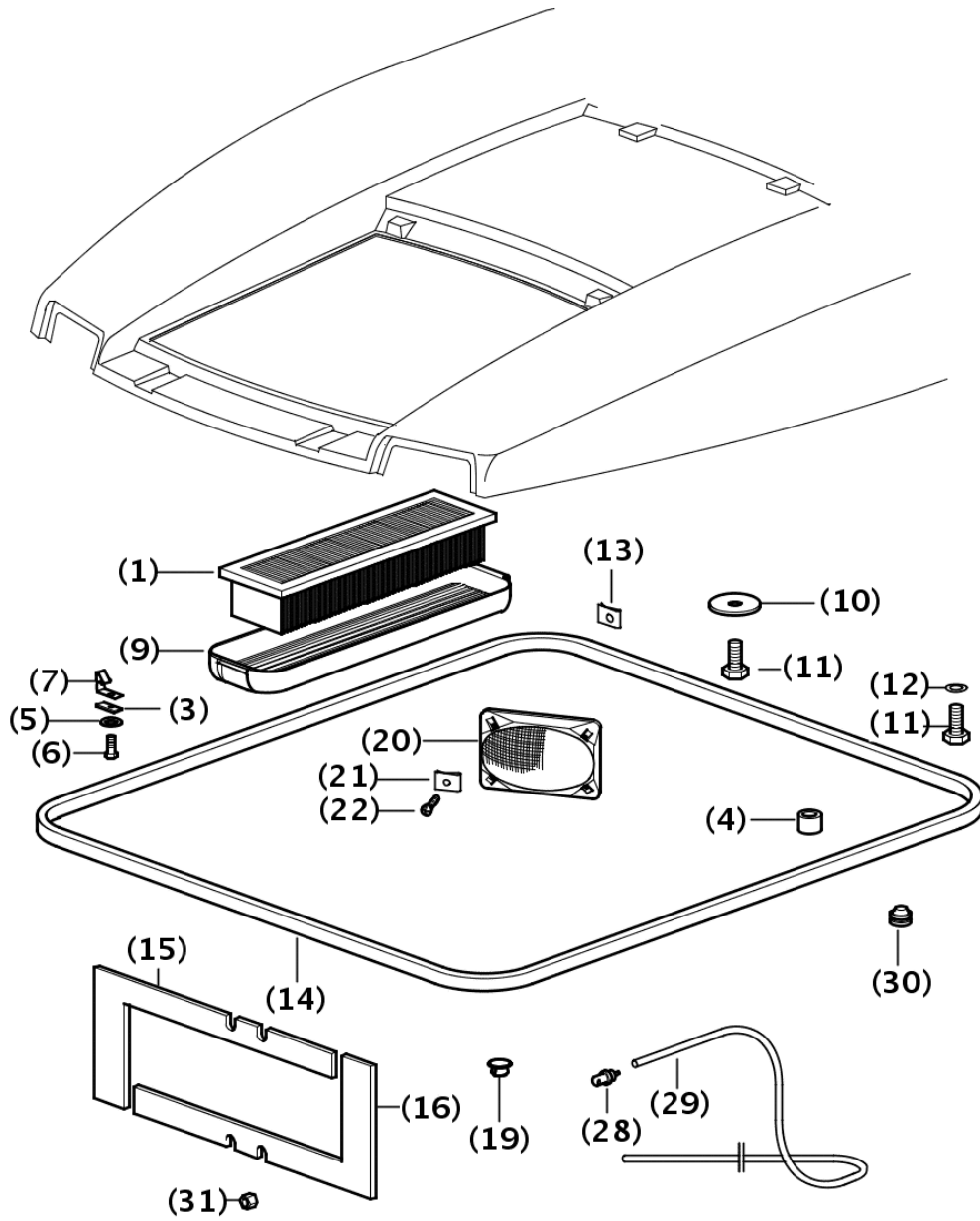
**Notes:**  
 WITH SKYLIGHT ROOF WITHOUT SKYLIGHT -> 1881 X Agroplus 75 -> 2832 X Agroplus 85 -> 1808 X Agroplus 95 -> 1817 X Agroplus 100

1	0.010.8214.2/40	1	frame
2	0.012.3984.3	1	guard
4	0.011.0854.0/10	1	sound deadening
5	2.1142.010.2	9	insert m 6
6	2.1549.264.2	8	spacer 7x10x34
7	2.1369.002.2	11	small plate 25x40x2
8	2.1310.002.2	16	washer 6.6, d125
9	2.0399.161.3	8	screw m 6 x 70
12	0.011.0843.2/10	1	small cover
16	2.1310.004.2	4	flat washer 8.5
17	2.1470.004.2	2	washer 8
18	2.0112.205.2	4	screw m 8 p.1.25 x 16
28	2.0339.137.2	9	screw m 6 x 12
32	2.0112.009.2	6	screw m 6 p.1 x 25
33	2.1599.525.2	8	washer 6.1 x 25 x 2.0
34	2.1579.452.6	8	spacer 6.5x14x10
83	2.0362.208.2	4	screw m 6 x 25
84	2.1549.434.2	1	spacer 7x10x14
85	2.0312.114.2	1	screw m 6 p.1x40
86	0.009.8761.0/20	1	gasket mm 30x4500x7
87	0.010.1453.0	1	plug 22
88	2.1312.003.2	2	washer 6

9\_78071\_20\_0\_

**INTERIOR TRIM "HIGHT VISIBILITY" - ROOF GREEN COLOUR**

Fig.	Code	QTY	Name
30	2.6569.034.0	1	grommet 24x13x13.5 1468 <- X Agroplus 75 1700 <- X Agroplus 85 1467 <- X Agroplus 95 1413 <- X Agroplus 100
31	2.1011.105.2	2	nut m 8 p.1.25 1468 <- X Agroplus 75 1700 <- X Agroplus 85 1467 <- X Agroplus 95 1413 <- X Agroplus 100



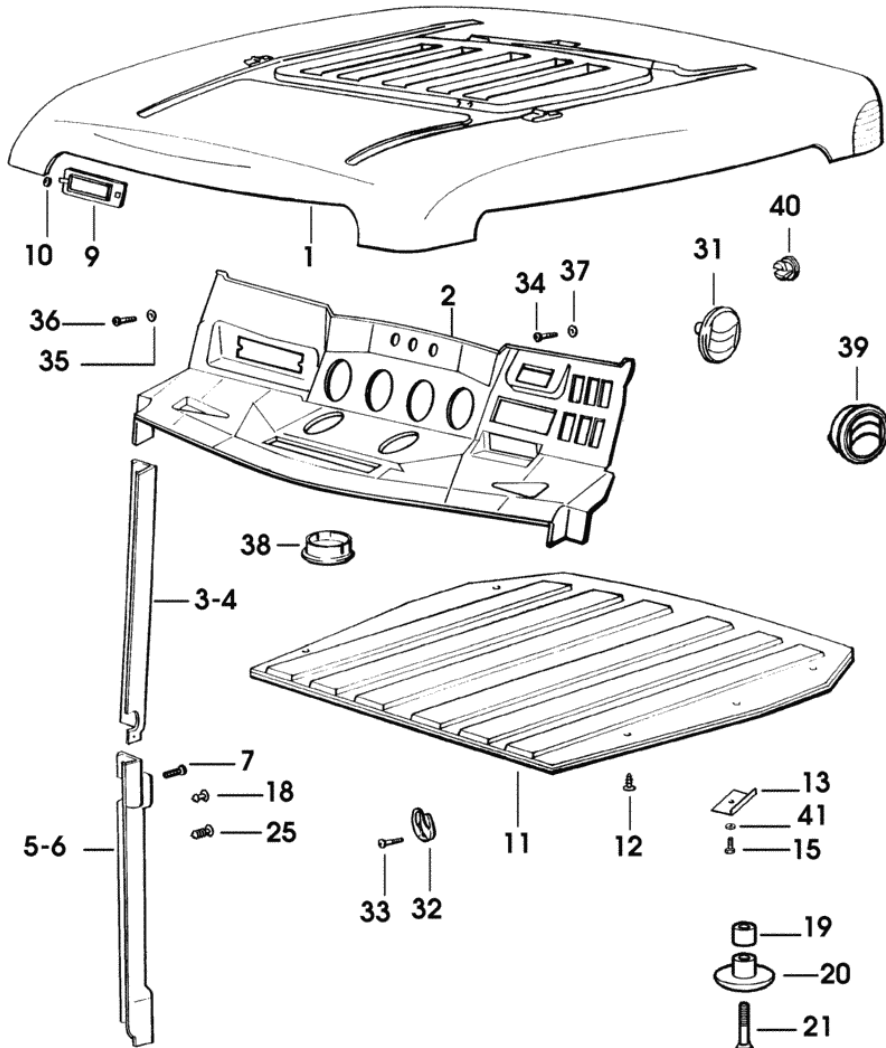
9\_77771\_22\_0\_0

**CAB ROOF - FOR TRACTORS WITHOUT AIR CONDITIONING - GREY**

Fig.	Code	QTY	Name
------	------	-----	------

**Notes:**

-> 1823 X Agroplus 75 -> 2677 X Agroplus 85 -> 1757 X Agroplus 95 -> 1754 X Agroplus 100



1	0.012.9108.2/10	1	roof
2	0.007.7147.0/40	1	front grille
3	0.007.7703.0/60	1	lining sx/lh/li
4	0.007.7704.0/60	1	lining dx/rh/re
5	0.007.7701.0/40	1	lining sx/lh/li
6	0.007.7702.0/50	1	lining dx/rh/re
7	2.0342.102.3	4	screw m 5 x 12
9	0.010.0880.0/10	1	cover
10	2.6999.049.0	2	small spring
11	0.010.0742.0/10	1	inner cab roof panel
12	2.1899.084.0	3	button 8 x 19
			1986 <- X Agroplus 75
			3399 <- X Agroplus 85
			2078 <- X Agroplus 95
			2050 <- X Agroplus 100
12	2.3199.198.0/10	3	plug 20x31
			-> 1987 X Agroplus 75
			-> 3400 X Agroplus 85
			-> 2079 X Agroplus 95
			-> 2051 X Agroplus 100
13	0.010.5114.0/10	2	bracket
15	2.0350.255.3	6	screw m 3.5 x 16 -AB-
18	2.1899.075.0	4	button 6.5x14.5
19	2.1579.980.2	9	spacer 7x15x11.5
20	0.010.1790.0	9	washer
21	2.0322.412.3	9	screw m 6 p.1x45
25	2.1899.073.0	2	plug 14.5
31	0.009.8654.2	4	tongue mm 82.8
32	0.007.6732.0	1	coat hanger
33	2.0350.255.3	2	screw m 3.5 x 16 -AB-
34	2.0332.404.2	9	screw m 6 x 12
35	0.9200.358.0	6	washer 5.4x10x15.8
36	2.0350.454.3	6	screw m 4.2 x 13 -AB-
37	2.1310.002.3	2	flat washer 6.4 x 12 x 1.6
38	0.009.0455.4	2	tongue mm 67.5
39	0.011.0760.3	2	tongue mm 95
40	2.3199.107.0	2	plug 14x12.5
41	2.1312.001.3	6	washer 4

9\_77871\_23\_0\_0

**FRONT WINDSHIELD WIPER SYSTEM**

9\_77871\_30\_0\_C

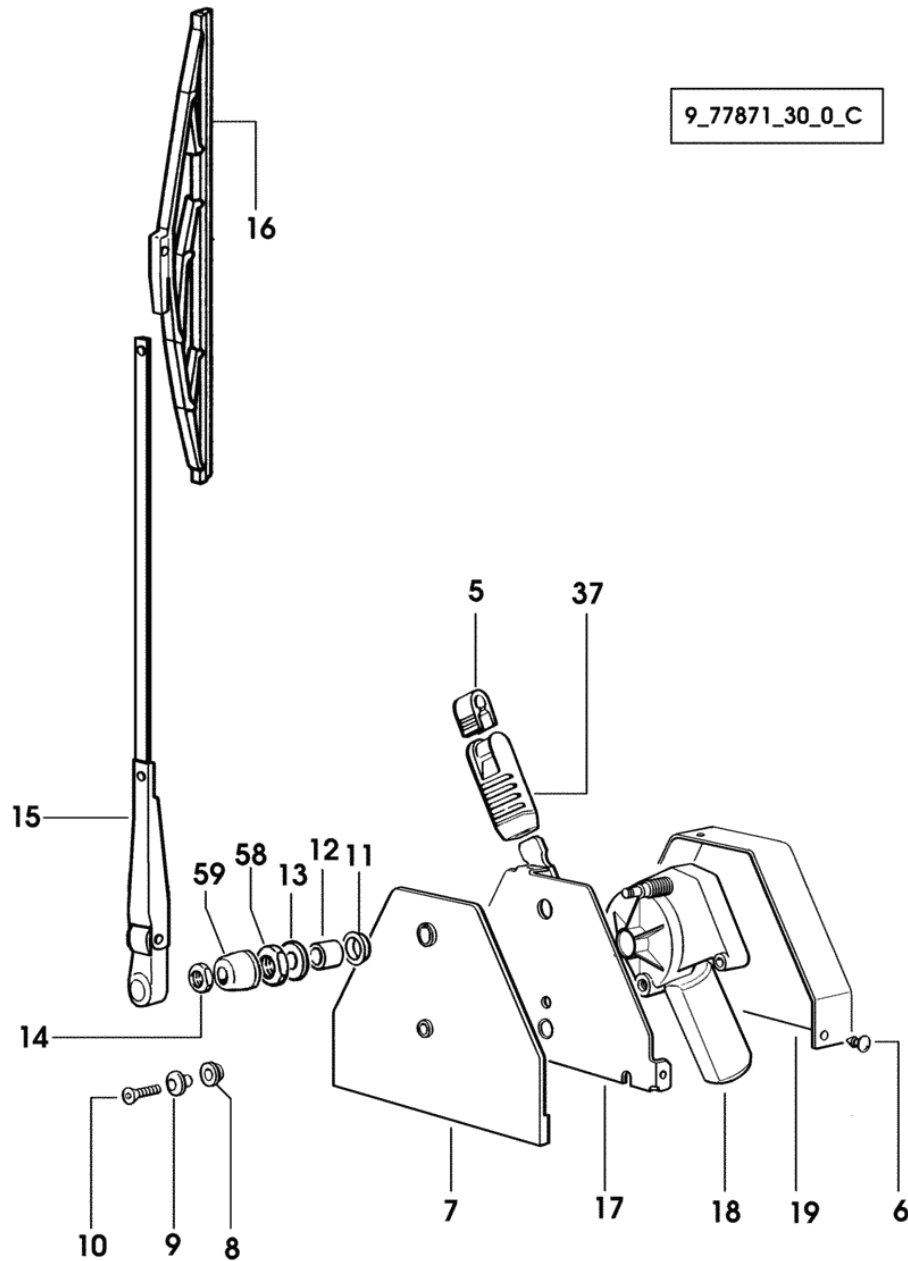
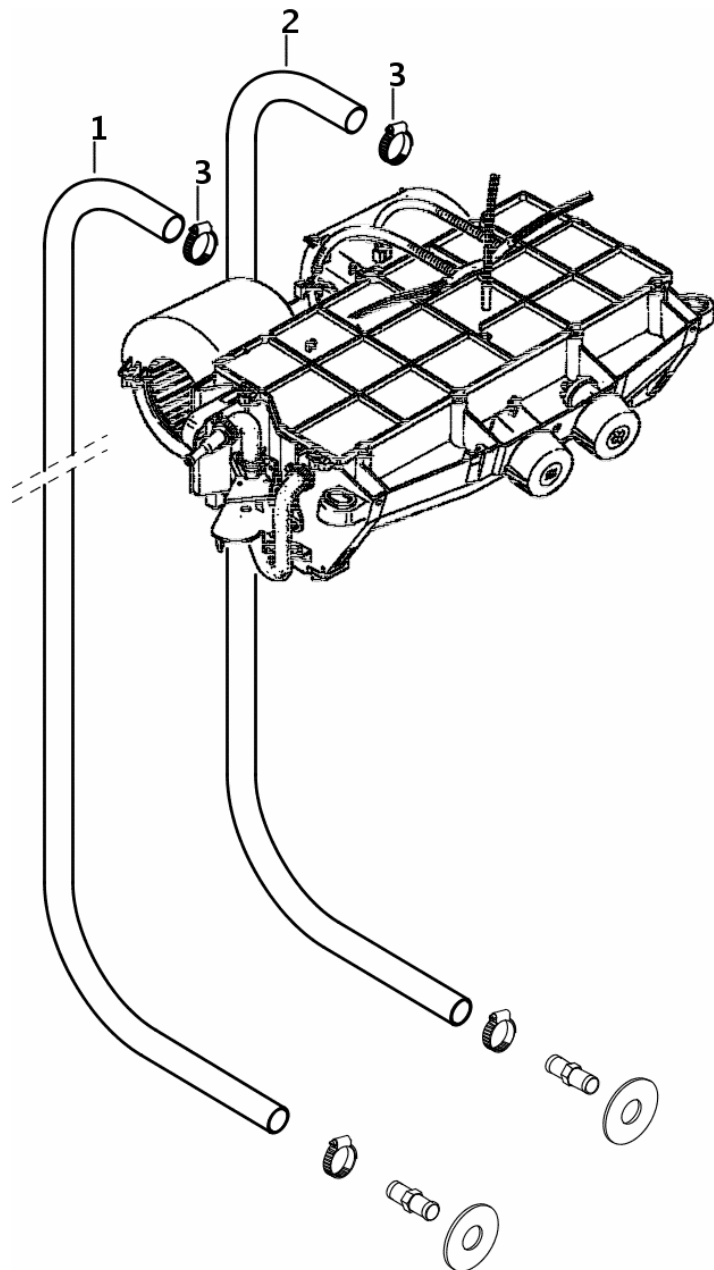


Fig.	Code	QTY	Name
5	0.009.0140.0	1	coupling
6	2.1899.075.0	3	button 6.5x14.5
7	0.010.1798.0/10	1	gasket
8	0.009.0422.0	1	gasket
9	0.010.1790.0	1	washer
10	2.0322.409.3	1	screw m 6 p.1x30
11	2.1569.176.0	1	gasket 20x40x6
12	2.1549.329.2	1	spacer 16x20x12.5
13	2.1599.528.2	1	washer 18x40x2
14	2.1011.105.2	1	nut m 8 p.1.25
15	0.010.1825.0	1	rod
16	0.010.1826.0	1	wiper blade
17	0.010.1777.3	1	interlock
18	04413192	1	wiper motor
19	0.010.1778.0/10	1	handle
37	0.009.0137.0	1	knob
58	2.1019.135.3	1	nut m16x1
59	0.010.4983.0	1	rubber plug

Section: CAB  
**VENTILATION - HEATING**

Fig.	Code	QTY	Name
1	0.011.0466.0	0	tube Ø mm 16x10
2	0.011.0466.0	0	tube Ø mm 16x10
3	2.6850.002.0	2	clamp 12-22



9\_77886\_17\_0\_

Section: CAB  
**COMPRESSOR**

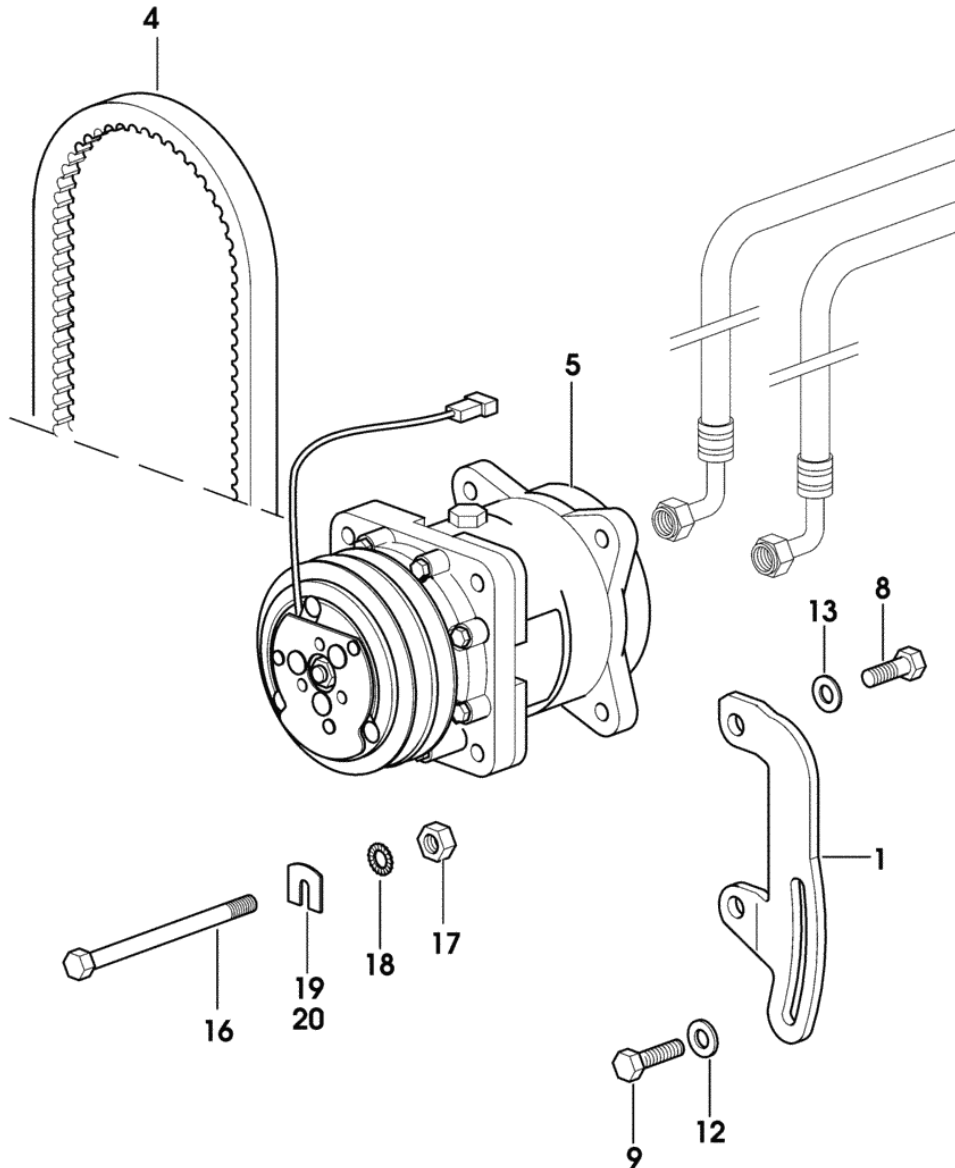


Fig.	Code	QTY	Name
------	------	-----	------

**Notes:**

-> 1337 X Agroplus 75 -> 1546 X Agroplus 85 -> 1397 X Agroplus 95 -> 1343 X Agroplus 100

1	0.011.5334.0/10	1	bracket
4	2.4119.123.0	1	belt mm 12.7x1525
5	0.011.0323.4	1	gear compressor R 134a COMPONENT PARTS SEE COMPONENTS LIST ☞ 0.011.0323.4 ☞ 0B.00.90
8	2.0112.310.2	2	screw m 10 p.1.5x28
9	2.0112.209.2	1	screw m 8 p 1.25 x 25
12	2.1310.004.2	1	flat washer 8.5
13	2.1310.006.2	2	flat washer 10.5
16	2.0112.334.2	1	screw m 10 p.1.5x125
17	2.1011.106.2	1	nut m 10 p.1.5
18	2.1470.006.2	1	lock washer 10
19	0.011.3981.0	2	shim mm 2.0
20	0.011.3980.0	1	shim mm 1.0

9\_77886\_21\_0\_A

# Agroplus 95

## ELECTRIC AL SYSTEM

### GENERAL

HEADLAMP FOR RIGHT-HAND DRIVE.....	08.00.1
HEADLAMP FOR LEFT-HAND DRIVE.....	08.00.2
ELECTRIC LIGHTING SYSTEM - FOR MODELS WITHOUT CAB.....	08.00.3
ELECTRICAL SYSTEM FOR TYPE WITH CAB.....	08.00.4
WARNING BEACON.....	08.00.5
LICENCE PLATE HOLDER - LICENCE PLATE LIGHT.....	08.00.6
ELECTRIC LIGHTING SYSTEM - FOR MODELS WITHOUT CAB.....	08.00.7
WORKING SPOTLIGHT FRONT BOTTOM - FOR MODELS WITH CAB.....	08.00.8
WORKING SPOTLIGHT FRONT - WITH WHITE ROOF - GREY.....	08.00.9
WORKING SPOTLIGHT FRONT - ROOF GREEN COLOUR.....	08.00.10
WORKING SPOTLIGHT REAR - WITH WHITE ROOF - GREY.....	08.00.11
WORKING SPOTLIGHT REAR - ROOF GREEN COLOUR.....	08.00.12
WORKLIGHTS FOR "HIGH VISIBILITY" CAB.....	08.00.13
REAR LIGHT.....	08.00.14
ELECTRICAL SYSTEM.....	08.00.15
ELECTRICAL EQUIPMENT FRONT.....	08.00.16
ELECTRICAL EQUIPMENT REAR - FOR TYPES WITHOUT POWERSHUTTLE.....	08.00.18
ELECTRICAL EQUIPMENT REAR - FOR TYPES WITH POWERSHUTTLE.....	08.00.19
RETROREFLECTOR EXPORT CH.....	08.00.20
ELECTRICAL SYSTEM - STEERING COLUMN SWITCH UNIT - FOR TYPES WITHOUT POWERSHUTTLE.....	08.00.21
ELECTRICAL SYSTEM - STEERING COLUMN SWITCH UNIT - FOR TYPES WITH POWERSHUTTLE.....	08.00.22
ELECTRICAL SYSTEM - STEERING COLUMN SWITCH UNIT - FOR TYPES WITH POWERSHUTTLE.....	08.00.23
ELECTRICAL SYSTEM "HIGHT VISIBILITY" - FOR MODELS WITH CAB.....	08.00.24
ELECTRICAL SYSTEM "HIGHT VISIBILITY" - WITH "HIGH VISIBILITY" CAB.....	08.00.25
BATTERY LEADS.....	08.00.26
BATTERY 12V 120Ah 520A.....	08.00.27
BATTERY 12V 180Ah 800A.....	08.00.29
ELECTRICAL SYSTEM - FOR TYPES WITH POWERSHUTTLE.....	08.00.30
ELECTRICAL SYSTEM - FOR TYPES WITH POWERSHIFT + POWERSHUTTLE.....	08.00.31
ELECTRICAL SYSTEM - FOR TYPES WITH POWERSHUTTLE.....	08.00.32
ELECTRICAL SYSTEM - FOR TYPES WITH POWERSHIFT + POWERSHUTTLE.....	08.00.33
CONTROL UNIT - GEARS.....	08.00.34
4WD - ENGAGEMENT CONTROL - FOR TYPES WITH "ASM SYSTEM".....	08.00.35
4WD - ENGAGEMENT CONTROL.....	08.00.36
SENSOR - SPEED - P.T.O. SHAFT.....	08.00.37
GROUND-OPERATED CONTROL FOR REAR LIFT.....	08.00.38
SWITCH - FOR P.T.O. FRONT.....	08.00.39
P.T.O. ENGAGEMENT CONTROL - REAR.....	08.00.40
ELECTRICAL CONTROLS.....	08.00.41
SWITCH FOR ROTATING BEACON.....	08.00.42

**WORKING SPOTLIGHT FRONT BOTTOM - FOR MODELS WITH CAB**

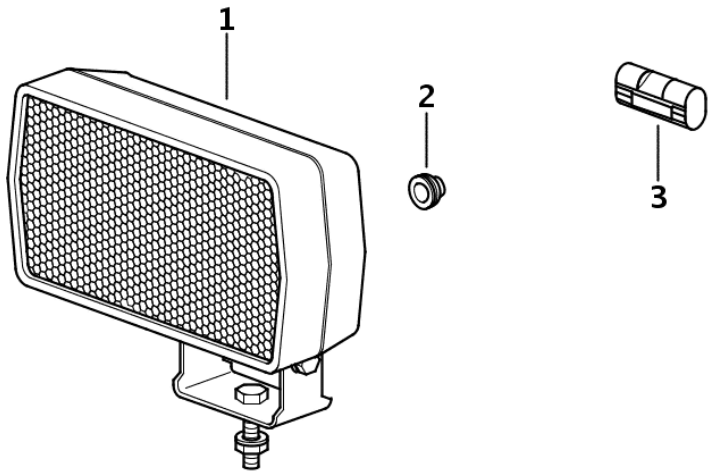
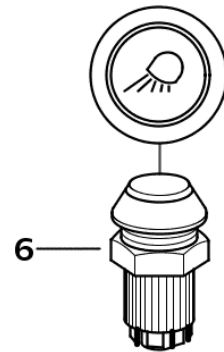
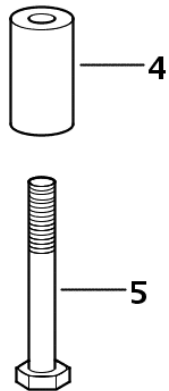


Fig.	Code	QTY	Name
1	2.8029.730.0	2	headlight COMPONENT PARTS SEE COMPONENTS LIST ☞ 2.8029.730.0 ☞ 08.00.61
2	2.6569.018.0	2	wire guide 20 x 8 x 15
3	2.6039.010.0	2	guard
4	2.1549.412.2	2	spacer 10.5x25x45
5	2.0112.325.2	2	screw m 10 p.1.5 x 80
6	2.7659.111.0	1	push-button



9\_77884\_28\_0\_0

Section: ELECTRIC AL SYSTEM

**ELECTRICAL EQUIPMENT REAR - FOR TYPES WITHOUT POWERSHUTTLE**

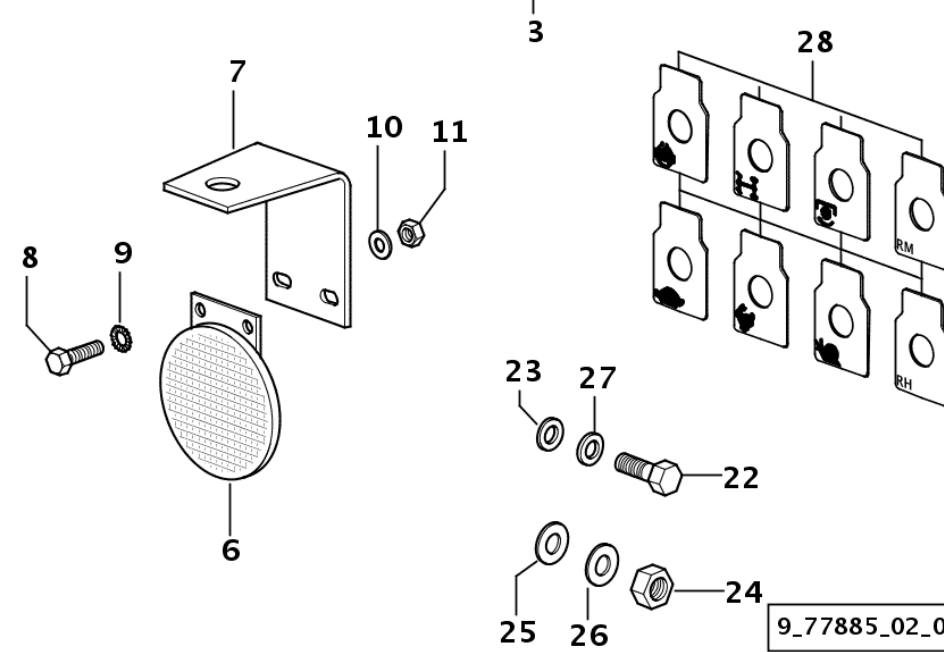
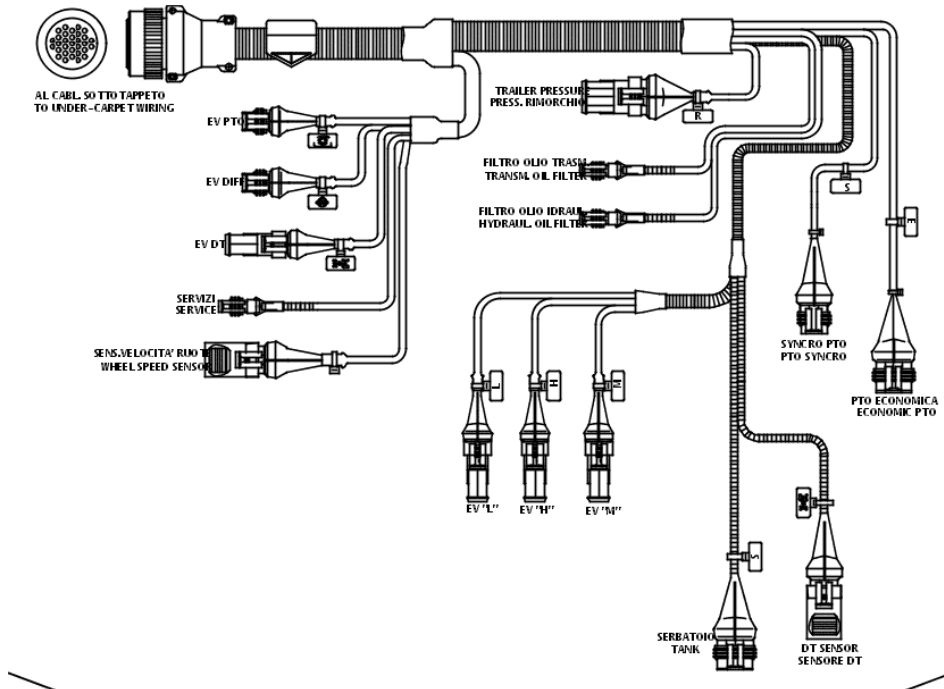


Fig.	Code	QTY	Name
3	0.010.7376.4/10	1	electrical system 1277 <- X Agroplus 75 1431 <- X Agroplus 85 1323 <- X Agroplus 95 1266 <- X Agroplus 100
3	0.010.7376.4/20	1	electrical system -> 1278 - 1318 <- X Agroplus 75 -> 1432 - 1497 <- X Agroplus 85 -> 1324 - 1363 <- X Agroplus 95 -> 1267 - 1308 <- X Agroplus 100
3	0.010.7376.4/50	1	electrical system -> 1319 X Agroplus 75 -> 1498 X Agroplus 85 -> 1364 X Agroplus 95 -> 1309 X Agroplus 100
6	2.8349.008.0/20	2	reflector mm 80
7	0.007.7018.0	2	plate
8	2.0112.007.2	4	screw m 6 p.1 x 20
9	2.1470.002.2	4	washer 6, d128
10	2.1310.002.2	4	washer 6.6, d125
11	2.1011.103.2	4	nut m 6 p.1
22	2.0112.309.2	1	screw m 10 p.1.5 x 25
23	2.1310.006.2	1	flat washer 10.5
24	2.1011.508.2	1	nut m 14 p.1.5
25	2.1310.009.2	1	flat washer 14
26	2.1474.012.2	1	washer 14
27	2.1474.010.2	1	washer 10
28	0.011.7710.0	1	plate

Section: ELECTRIC AL SYSTEM

**ELECTRICAL SYSTEM "HIGH VISIBILITY" - WITH "HIGH VISIBILITY" CAB**

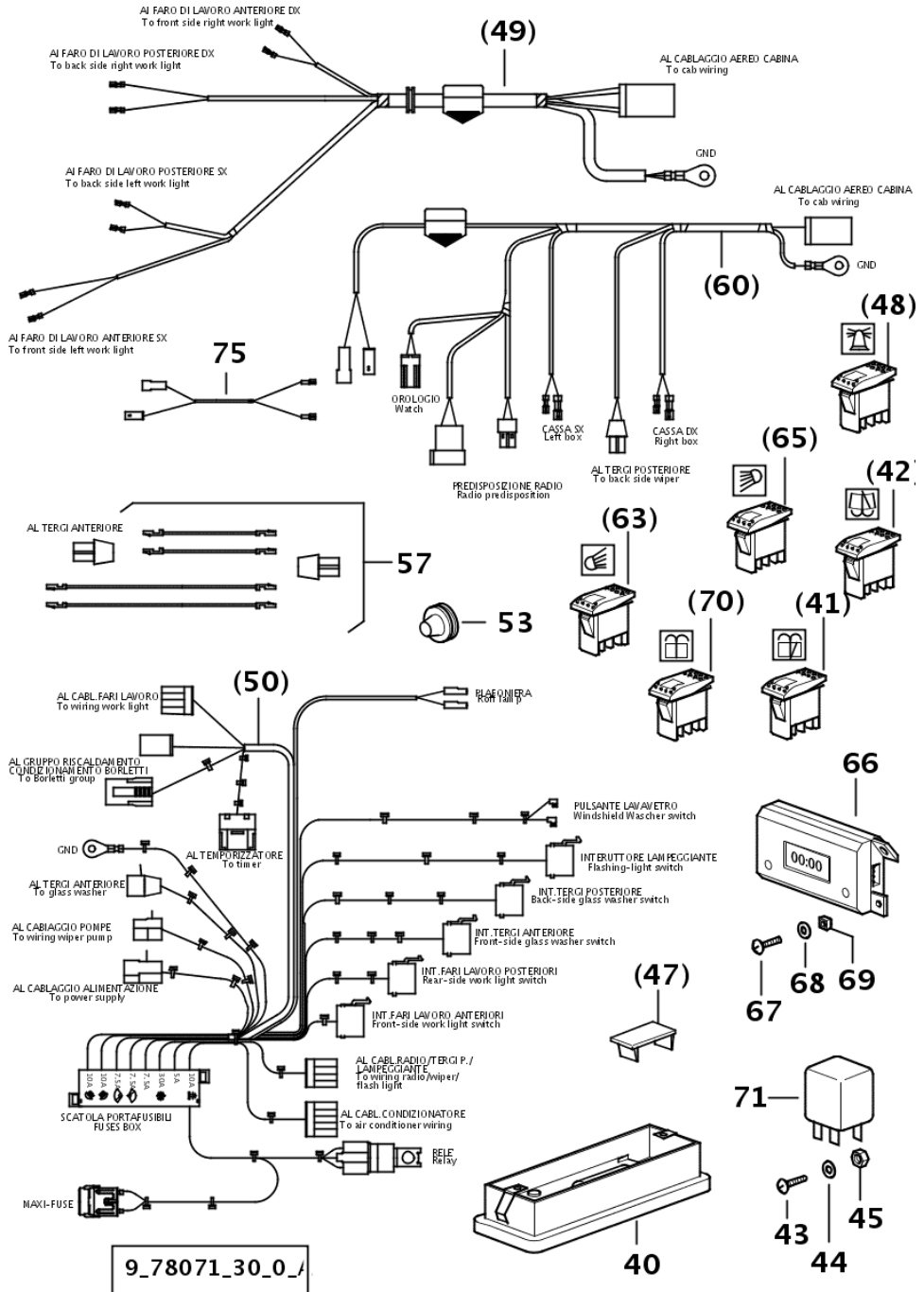
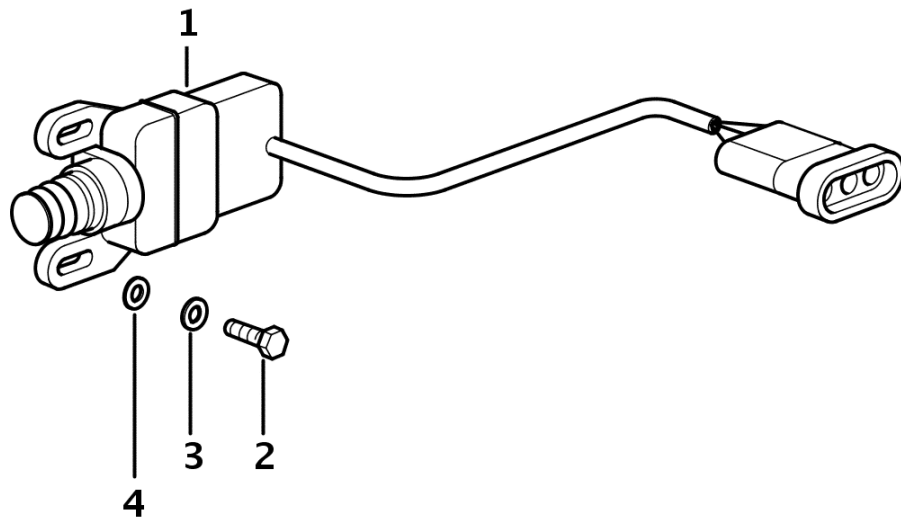


Fig.	Code	QTY	Name
			3891 <- X Agroplus 85
			2381 <- X Agroplus 95
			2382 <- X Agroplus 100
71	2.8639.008.0	1	intermitent switch HG4121, 12V
75	0.012.9909.4	1	wire

Section: ELECTRIC AL SYSTEM  
**4WD - ENGAGEMENT CONTROL**

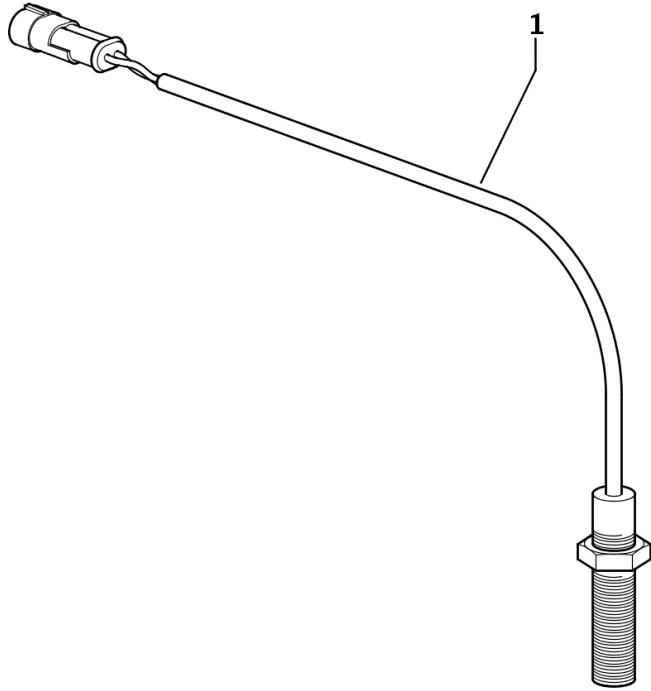
Fig.	Code	QTY	Name
1	2.7659.096.0/10	1	switch
2	2.0332.205.2	2	screw m 4x0.7x14
3	2.1310.028.2	2	flat washer 4
4	2.1470.052.2	2	lock washer 4



9\_62084\_13\_0\_0

**PICK-UP - FOR TYPES WITH POWERSHUTTLE**

Fig.	Code	QTY	Name
1	0.007.0740.0/40	1	pick-up



9\_64884\_09\_0\_0

60%

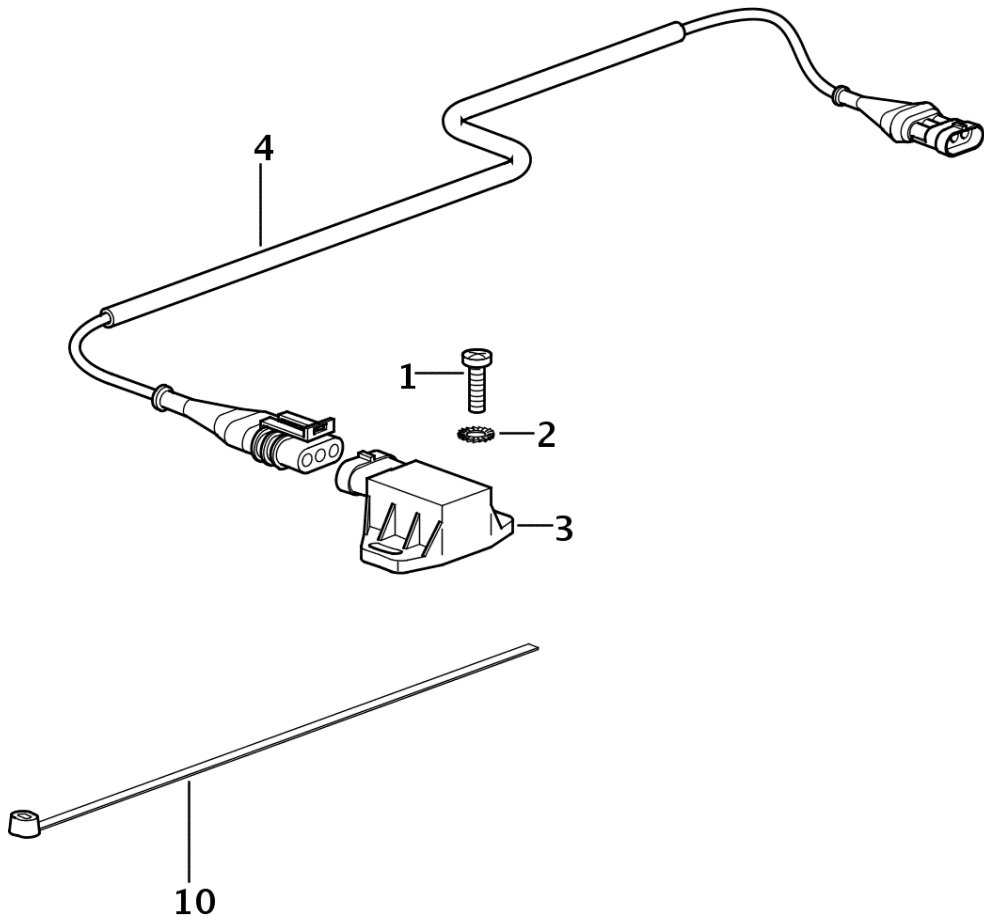
**INDUCTIVE POSITION ENCODER - FOR TYPES WITH "ASM SYSTEM"**

Fig.	Code	QTY	Name
------	------	-----	------

**Notes:**

1279 <- X Agroplus 75    1431 <- X Agroplus 85    1323 <- X Agroplus 95    1235 <- X Agroplus 100

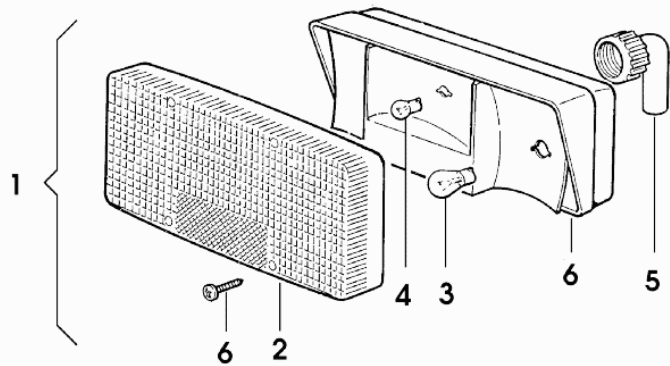
1	2.0332.206.2	2	screw M4x0,7X16
2	2.1470.052.2	2	lock washer 4
3	0.009.7983.4	1	position sensor
4	0.010.4865.3	1	wire
10	0.98503.67.0	1	clamp



9\_62082\_10\_0\_

Section: ELECTRIC AL SYSTEM  
**HEADLAMP COMPONENTS**

Fig.	Code	QTY	Name
1	2.8059.080.0	1	lamp sx/lh/li
2	2.8059.080.1	1	light body sx/lh/li
3	2.8313.001.0	2	lamp 12V 21W
4	2.8319.004.0	1	lamp
5	2.8019.480.2	1	cap
6	0.000.0000.1	0	not serviceable

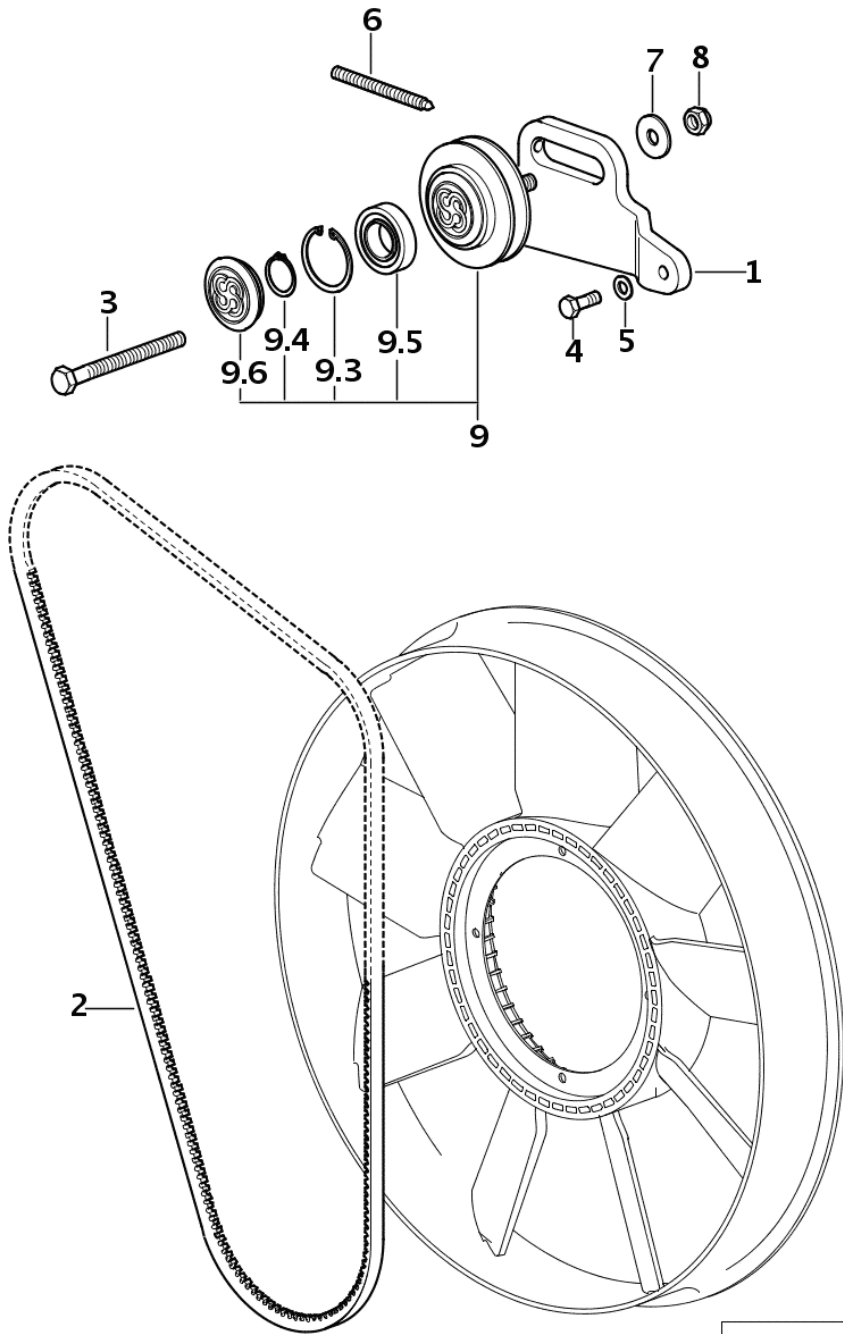


2\_8059\_080\_0

**V-BELT - FOR TRACTORS WITHOUT AIR CONDITIONING**

Fig.	Code	QTY	Name
------	------	-----	------

9	0.010.4406.4	1	-> 1376 X Agroplus 85 -> 1296 X Agroplus 95 -> 1223 X Agroplus 100 pulley guide
9.3	2.1411.019.1	1	-> 1273 X Agroplus 75 -> 1376 X Agroplus 85 -> 1296 X Agroplus 95 -> 1223 X Agroplus 100 circlip 47
9.4	2.1410.010.1	1	circlip 25
9.5	2.2999.330.0	1	bearing 25 x 47 x 12
9.6	2.3199.089.0	1	small cover



9\_39719\_01\_0

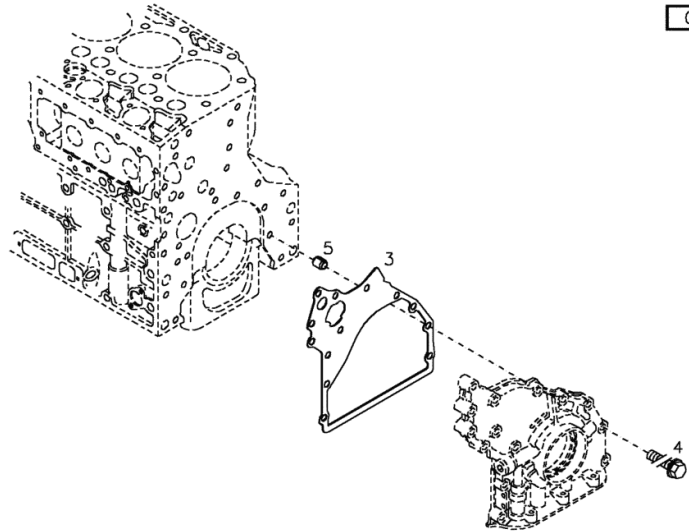
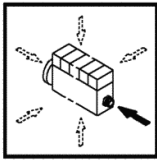
Section: ENGINE  
FASTENINGS

Fig.	Code	QTY	Name
------	------	-----	------

788395	792534	792535	792536	792587	792588	792589	792590	792591	792592	792593	792594	794247	794248
794249	794250	794251	803005	803006	803007	803008	803009	803010	803011	803012	803013	803014	803015
803016	803017	803018	803019	804768	804769	804770	804771	804772	815515	815516	815517	815518	815519
815520	815521	815522	815523	815524	815525	815526	815527	815528	816443	816444	816445	816446	818112
818113	818114	818115	818145	818146	824135	824136	824204	831022	831023	831024	831025	831026	831027
831028	831029	833626	839625	839626	839627	839628	839629	839630	839631	839632	839633	839634	843175
843176	843177	843178	843236	843237	843238	843239	843240	843241	843242	843243	843244	843245	843246
843247	843248	843249	844178	844179	844180	844181	847808	847809	847810	847811	847812	847813	848245
848246	848247	848248	848249	851555	851556	851557	851558	851559	851560	851561	851562	867285	867286
867287	867288	867289	867290	867291	867292	867461	867462	867463	867464	867465	873884	873885	873886
873911	873912	873913	873914	873915	873916	882669	882670	882671	882672	882673	882887	882888	1016114
1016115	1016116	1016117	1016118	1016119	1016120	1016121	1016122	1016123	1016124	1016125	1016126	1016127	1016128
1016129	1016130	1016131	1016132	1016133	1090467	1090468	1090469	1090470	1090471	1090472	1090473	1090474	1090475
1090476	1090477	1090478	1090479	1090480	1090481	1090482	1090483	1090484	1090485	1090486	1090487	1090488	1090489
1090490	1090491	1091800	1091801	1091802	1091803	1091804	1091805	1091806	1091807	1091808	1091809	1091810	1091811
1091812	1091813	1091814	1091815	1091816	1091817	1091818	1091819	1091820	1091821	1091822	1091823	1091824	1091825
1091826	1091827	1091828	1091829	1091830	1091831	1091832	1091833	1091834	1091835	1091836	1091837	1091838	1091839
1091840	1091841	1091842	1091843	1091844	1091845	1091846	1091847	1091848	1091849				

002 ©

3	04250475	1	gasket
4	01143362	13	screw EN 001662-F-M 8 X 35- 10.9-A4C
5	01181406	1	bushing H 002341-B11X 8-FE/ZN12C*

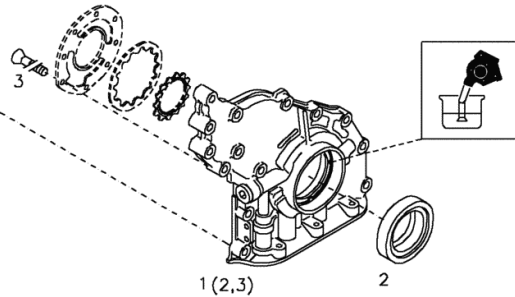
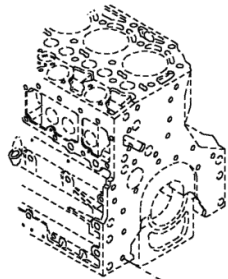
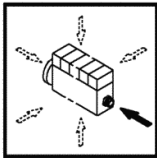


Section: ENGINE  
FRONT COVER

Fig.	Code	QTY	Name
------	------	-----	------

Engine Serial Numbers:

361784	361785	361786	361787	361788	373838	373839	373840	373841	373842	373843	373844	373845	373846
373847	376402	376403	376404	376405	376406	376407	376408	380849	380850	380851	380852	380853	380854
380855	380856	380857	382518	382519	382520	382521	382522	382523	382524	382525	382526	382527	382528
382529	382530	382531	382532	382533	382534	382535	389064	389065	389066	389067	389068	389069	389070
389071	389072	389073	389074	389075	389076	389077	389078	389079	389080	390109	390110	390111	390112
390113	390114	390605	390606	390607	390608	404494	404495	404496	404497	404498	404499	404500	404501
409392	409393	409394	409395	410304	410305	410306	410307	410308	410309	424843	434952	434953	434954
434955	434956	434957	434958	434959	434960	434961	434962	434963	434964	434965	434966	434967	434968
434969	434970	435463	435464	435465	440032	440033	440034	440035	440036	440037	440038	440039	440040
440041	440042	440043	440044	440045	440046	440047	446188	446189	449259	449260	449261	449262	449263
449264	453540	453541	453542	453543	453544	453545	453546	453547	453548	453549	453597	453598	453599
453600	453601	453602	453603	463064	467087	467088	467089	467090	467091	467092	467093	467094	469650
469651	469652	469653	469654	469655	469656	469657	469658	469659	469660	469661	469662	469663	469664
469665	469666	469667	469668	469669	469670	469671	469672	470553	470554	470555	470556	470557	470558
470559	470560	470561	470562	470563	470564	476252	476253	476254	476255	476256	476257	501619	501620
501621	501622	503200	503201	503202	503203	503204	503205	503206	503207	503208	503209	505594	508317
508318	508319	508320	516727	516728	516729	516730	516731	516732	516733	527096	527097	527098	527099
527100	527101	527102	527103	532180	532181	532182	532183	532184	532185	542255	542256	542257	547793
547794	547795	551352	551353	552898	552899	552900	552901	552902	552903	552904	552905	552906	552907
552908	553026	553027	553028	553029	553030	558316	558317	565073	565074	565075	565076	565077	565078
565079	567082	567083	567084	567085	567086	567087	567088	567089	567090	567686	567687	567688	567689
572611	580011	580012	580013	584819	584820	584821	584822	584823	584824	584825	584826	584827	584828
584829	584830	584831	584832	584833	584834	584835	584836	584837	584838	584839	584840	584841	584842
584843	584844	584845	584846	584847	584848	584849	584850	601241	601242	601243	601244	601245	601246
603865	603866	603867	603868	603869	603870	603871	603872	606365	606366	606367	606368	606369	606370
606371	606372	606373	606374	613415	613416	614821	614822	614823	614824	614825	614826	614827	614828
614829	614830	614831	614832	614833	614834	614835	614836	614837	614838	614839	614840	624116	624117
624118	624119	625038	625039	625040	625041	625042	625043	625044	625045	625046	625047	625048	625049
625050	625051	625052	632130	632131	632132	632133	632134	632135	632136	636518	636519	636520	637402
637403	637404	637405	637406	644608	644609	644610	644611	644612	647984	648309	648310	648311	648312
648313	648314	648315	648316	648317	648318	657437	657438	657439	658432	658433	658434	658435	658436
658437	658438	658439	658440	658441	658442	658443	658444	658445	658446	658447	658448	658449	658450
658451	658452	665041	665042	665043	665044	665045	665046	665047	665048	665049	665050	665051	665052
665053	665054	665055	665056	665662	668533	668534	668535	668536	668537	668538	673603	673604	673605
673606	673607	673608	673609	673651	673652	673653	673654	681747	681748	682198	682199	682200	682201
682202	683191	683192	683193	683194	683195	683196	683197	683198	683199	683200	683201	683202	696199
696200	696201	696202	696666	696667	696668	696669	696670	696671	696672	696673	700357	700358	700359
700360	700361	700362	700363	700364	700365	700366	700367	700368	700369	703094	703095	703096	703097
703098	703099	703152	704271	704272	704273	704274	711714	711715	711716	711717	711718	711719	711720
711721	711722	714960	714961	714962	714963	714964	714965	717821	717822	726318	730435	730436	730437
730438	730439	730440	730441	730442	730443	730444	730445	730446	730447	730448	730449	730450	730451
730452	732039	732040	734334	734335	734336	734337	734338	734339	734340	734341	734342	734343	734344
734345	739402	739403	739404	739405	751667	751668	751669	751670	751671	751672	751673	751674	751675
751676	751677	751678	751679	751680	751681	751682	751683	751684	760168	760169	760170	760171	760172
760173	760174	760175	760176	760177	760178	760179	760615	760616	760617	760618	760619	768261	768262
768263	768264	771033	775214	775215	780315	780316	780317	780318	780319	780320	780817	780818	782055
782056	782057	782058	782059	782060	782061	782083	782084	782085	782086	782087	782088	782089	782090
782091	788371	788372	788373	788374	788384	788385	788386	788387	788388	788389	788390	788391	788392
788393	788394												



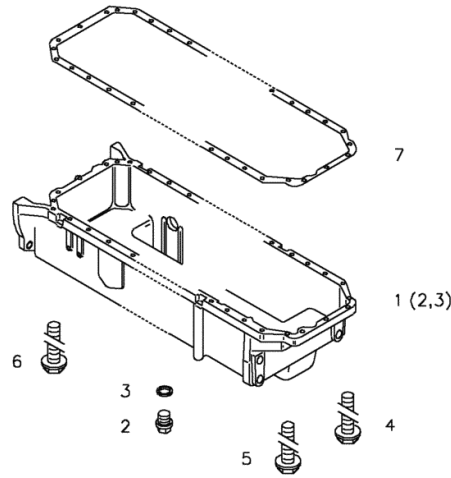
001 ©

Section: ENGINE  
OIL PAN

Fig.	Code	QTY	Name
------	------	-----	------

788395	792534	792535	792536	792587	792588	792589	792590	792591	792592	792593	792594	794247	794248
794249	794250	794251	803005	803006	803007	803008	803009	803010	803011	803012	803013	803014	803015
803016	803017	803018	803019	804768	804769	804770	804771	804772	815515	815516	815517	815518	815519
815520	815521	815522	815523	815524	815525	815526	815527	815528	816443	816444	816445	816446	818112
818113	818114	818115	818145	818146	824135	824136	824204	831022	831023	831024	831025	831026	831027
831028	831029	833626	839625	839626	839627	839628	839629	839630	839631	839632	839633	839634	843175
843176	843177	843178	843236	843237	843238	843239	843240	843241	843242	843243	843244	843245	843246
843247	843248	843249	844178	844179	844180	844181	847808	847809	847810	847811	847812	847813	848245
848246	848247	848248	848249	851555	851556	851557	851558	851559	851560	851561	851562	867285	867286
867287	867288	867289	867290	867291	867292	867461	867462	867463	867464	867465	873884	873885	873886
873911	873912	873913	873914	873915	873916	882669	882670	882671	882672	882673	882887	882888	1016114
1016115	1016116	1016117	1016118	1016119	1016120	1016121	1016122	1016123	1016124	1016125	1016126	1016127	1016128
1016129	1016130	1016131	1016132	1016133	1090467	1090468	1090469	1090470	1090471	1090472	1090473	1090474	1090475
1090476	1090477	1090478	1090479	1090480	1090481	1090482	1090483	1090484	1090485	1090486	1090487	1090488	1090489
1090490	1090491	1091800	1091801	1091802	1091803	1091804	1091805	1091806	1091807	1091808	1091809	1091810	1091811
1091812	1091813	1091814	1091815	1091816	1091817	1091818	1091819	1091820	1091821	1091822	1091823	1091824	1091825
1091826	1091827	1091828	1091829	1091830	1091831	1091832	1091833	1091834	1091835	1091836	1091837	1091838	1091839
1091840	1091841	1091842	1091843	1091844	1091845	1091846	1091847	1091848	1091849				

001 ©

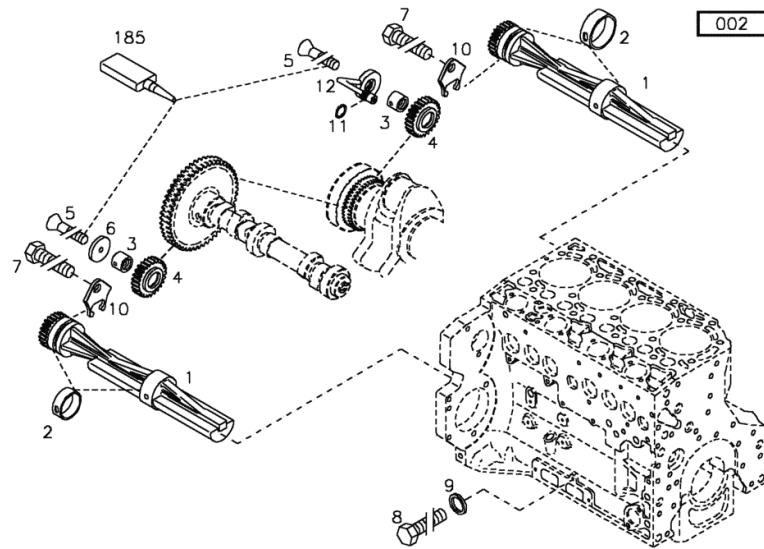
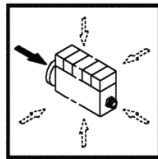


1	04197979	1	oil pan WITH ITEM .... (2,3)
2	01123690	1	screw DIN 910 -M18X1,5-ST-ZNPHRF
3	01118718	1	ring 18 x 24 DIN 7603 -A18X24-CU
4	01143362	15	screw EN 1662 -F-M8X35-10.9-A4C
5	01180364	5	stop EN 1662 -F-M8X110-10.9-GESCHW
6	01144463	2	screw EN 1662 -F-M8X130-10.9-GESCHW
7	04195512	1	gasket
234	01016103	1	gasket H 699 -DEUTZDW74-300ML

Section: ENGINE  
COUNTERWEIGHTS

Fig.	Code	QTY	Name
------	------	-----	------

788395 792534 792535 792536 792587 792588 792589 792590 792591 792592 792593 792594 794247 794248  
 794249 794250 794251 803005 803006 803007 803008 803009 803010 803011 803012 803013 803014 803015  
 803016 803017 803018 803019 804768 804769 804770 804771 804772 815515 815516 815517 815518 815519  
 815520 815521 815522 815523 815524 815525 815526 815527 815528 816443 816444 816445 816446 818112  
 818113 818114 818115 818145 818146 824135 824136 824204 831022 831023 831024 831025 831026 831027  
 831028 831029 833626 839625 839626 839627 839628 839629 839630 839631 839632 839633 839634 843175  
 843176 843177 843178 843236 843237 843238 843239 843240 843241 843242 843243 843244 843245 843246  
 843247 843248 843249 844178 844179 844180 844181 847808 847809 847810 847811 847812 847813 848245  
 848246 848247 848248 848249 851555 851556 851557 851558 851559 851560 851561 851562



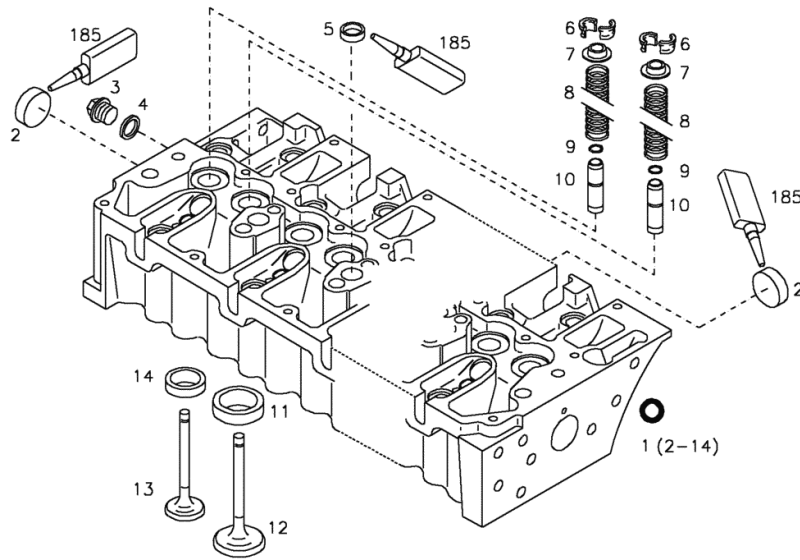
1	04255136	2	shaft
2	04204110	4	bushing
3	04251345	2	bushing
4	04255905	2	gear
5	01181673	2	screw
			H 002091- 7991-M 8 X 45- 10.9-GESCHW.*
6	04255410	1	ring
7	01181672	2	nut
			H 002091- 4017-M 8 X 16- 10.9-GESCHW.*
8	01112295	2	screw m 8 x 10 ISO 004017-M 8 X 10 - 8.8-A4C
9	01118647	2	'o' ring 8x11,5 d7603 DIN 007603-A 8 X 11,5 -CU
10	04251810	2	plug
11	01181582	1	snoulder
			H 002927- 7 X 1,5 -ACM-1-70
12	04255412	1	pin
185	01016125	0	guard
			H 000699-DEUTZ DW 72- 250 ML

Section: ENGINE  
CYLINDER HEAD

Fig.	Code	QTY	Name
------	------	-----	------

Engine Serial Numbers:

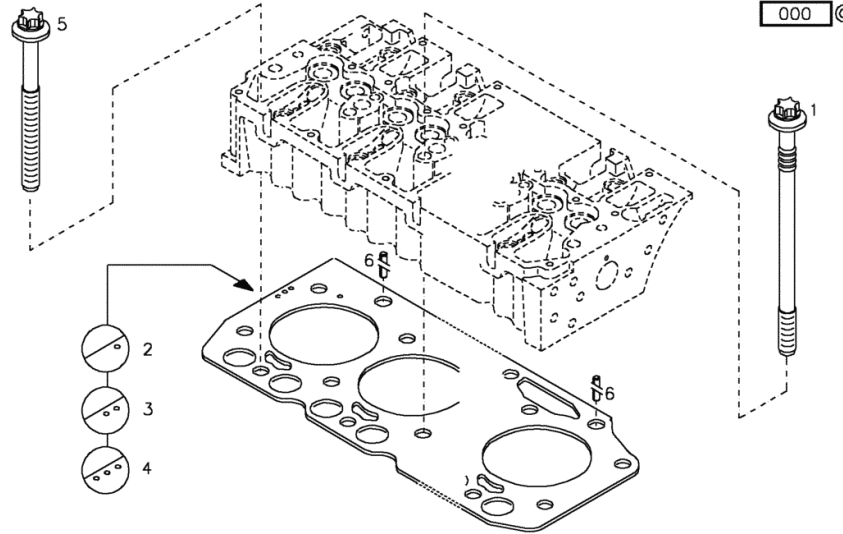
361784	361785	361786	361787	361788	373838	373839	373840	373841	373842	373843	373844	373845	373846
373847	376402	376403	376404	376405	376406	376407	376408	380849	380850	380851	380852	380853	380854
380855	380856	380857	382518	382519	382520	382521	382522	382523	382524	382525	382526	382527	382528
382529	382530	382531	382532	382533	382534	382535	389064	389065	389066	389067	389068	389069	389070
389071	389072	389073	389074	389075	389076	389077	389078	389079	389080	390109	390110	390111	390112
390113	390114	390605	390606	390607	390608	404494	404495	404496	404497	404498	404499	404500	404501
409392	409393	409394	409395	410304	410305	410306	410307	410308	410309	424843	434952	434953	434954
434955	434956	434957	434958	434959	434960	434961	434962	434963	434964	434965	434966	434967	434968
434969	434970	435463	435464	435465	440032	440033	440034	440035	440036	440037	440038	440039	440040
440041	440042	440043	440044	440045	440046	440047	446188	446189	449259	449260	449261	449262	449263
449264	453540	453541	453542	453543	453544	453545	453546	453547	453548	453549	453597	453598	453599
453600	453601	453602	453603	463064	467087	467088	467089	467090	467091	467092	467093	467094	469650
469651	469652	469653	469654	469655	469656	469657	469658	469659	469660	469661	469662	469663	469664
469665	469666	469667	469668	469669	469670	469671	469672	470553	470554	470555	470556	470557	470558
470559	470560	470561	470562	470563	470564	476252	476253	476254	476255	476256	476257	501619	501620
501621	501622	503200	503201	503202	503203	503204	503205	503206	503207	503208	503209	505594	508317
508318	508319	508320	516727	516728	516729	516730	516731	516732	516733	527096	527097	527098	527099
527100	527101	527102	527103	532180	532181	532182	532183	532184	532185	542255	542256	542257	547793
547794	547795	551352	551353	552898	552899	552900	552901	552902	552903	552904	552905	552906	552907
552908	553026	553027	553028	553029	553030	558316	558317	565073	565074	565075	565076	565077	565078
565079	567082	567083	567084	567085	567086	567087	567088	567089	567090	567686	567687	567688	567689
572611	580011	580012	580013	584819	584820	584821	584822	584823	584824	584825	584826	584827	584828
584829	584830	584831	584832	584833	584834	584835	584836	584837	584838	584839	584840	584841	584842
584843	584844	584845	584846	584847	584848	584849	584850	601241	601242	601243	601244	601245	601246
603865	603866	603867	603868	603869	603870	603871	603872	606365	606366	606367	606368	606369	606370
606371	606372	606373	606374	613415	613416	614821	614822	614823	614824	614825	614826	614827	614828
614829	614830	614831	614832	614833	614834	614835	614836	614837	614838	614839	614840	624116	624117
624118	624119	625038	625039	625040	625041	625042	625043	625044	625045	625046	625047	625048	625049
625050	625051	625052	632130	632131	632132	632133	632134	632135	632136	636518	636519	636520	637402
637403	637404	637405	637406	644608	644609	644610	644611	644612	647984	648309	648310	648311	648312
648313	648314	648315	648316	648317	648318	657437	657438	657439	658432	658433	658434	658435	658436
658437	658438	658439	658440	658441	658442	658443	658444	658445	658446	658447	658448	658449	658450
658451	658452	665041	665042	665043	665044	665045	665046	665047	665048	665049	665050	665051	665052
665053	665054	665055	665056	665662	668533	668534	668535	668536	668537	668538	673603	673604	673605
673606	673607	673608	673609	673651	673652	673653	673654	681747	681748	682198	682199	682200	682201
682202	683191	683192	683193	683194	683195	683196	683197	683198	683199	683200	683201	683202	696199
696200	696201	696202	696666	696667	696668	696669	696670	696671	696672	699673	699674	700357	700358
700359	700360	700361	700362	700363	700364	700365	700366	700367	700368	700369	703094	703095	703096
703097	703098	703099	703152	704271	704272	704273	704274	711714	711715	711716	711717	711718	711719
711720	711721	711722	714960	714961	714962	714963	714964	714965	717821	717822	726318	730435	730436
730437	730438	730439	730440	730441	730442	730443	730444	730445	730446	730447	730448	730449	730450
730451	730452	732039	732040	734334	734335	734336	734337	734338	734339	734340	734341	734342	734343
734344	739402	739403	739404	739405	751667	751668	751669	751670	751671	751672	751673	751674	751675
751676	751677	751678	751679	751680	751681	751682	751683	751684	760168	760169	760170	760171	760172
760173	760174	760175	760176	760177	760178	760179	760615	760616	760617	760618	760619	768261	768262
768263	768264	771033	775214	775215	780315	780316	780317	780319	780320	780817	780818	782055	782056
782057	782058	782059	782060	782061	782083	782084	782085	782086	782087	782088	782089	782090	788371
788372	788373	788374	788384	788385	788386	788387	788388	788389	788390	788391	788392	788393	788394



Section: ENGINE  
FASTENINGS

Fig.	Code	QTY	Name
------	------	-----	------

788395	792534	792535	792536	792587	792588	792589	792590	792591	792592	792593	792594	794247	794248
794249	794250	794251	803005	803006	803007	803008	803009	803010	803011	803012	803013	803014	803015
803016	803017	803018	803019	804768	804769	804770	804771	804772	815515	815516	815517	815518	815519
815520	815521	815522	815523	815524	815525	815526	815527	815528	816443	816444	816445	816446	818112
818113	818114	818115	818145	818146	824135	824136	824204	831022	831023	831024	831025	831026	831027
831028	831029	833626	839625	839626	839627	839628	839629	839630	839631	839632	839633	839634	843175
843176	843177	843178	843236	843237	843238	843239	843240	843241	843242	843243	843244	843245	843246
843247	843248	843249	844178	844179	844180	844181	847808	847809	847810	847811	847812	847813	848245
848246	848247	848248	848249	851555	851556	851557	851558	851559	851560	851561	851562	867285	867286
867287	867288	867289	867290	867291	867292	867461	867462	867463	867464	867465	873884	873885	873886
873911	873912	873913	873914	873915	873916	882669	882670	882671	882672	882673	882887	882888	1016114
1016115	1016116	1016117	1016118	1016119	1016120	1016121	1016122	1016123	1016124	1016125	1016126	1016127	1016128
1016129	1016130	1016131	1016132	1016133	1090467	1090468	1090469	1090470	1090471	1090472	1090473	1090474	1090475
1090476	1090477	1090478	1090479	1090480	1090481	1090482	1090483	1090484	1090485	1090486	1090487	1090488	1090489
1090490	1090491	1091800	1091801	1091802	1091803	1091804	1091805	1091806	1091807	1091808	1091809	1091810	1091811
1091812	1091813	1091814	1091815	1091816	1091817	1091818	1091819	1091820	1091821	1091822	1091823	1091824	1091825
1091826	1091827	1091828	1091829	1091830	1091831	1091832	1091833	1091834	1091835	1091836	1091837	1091838	1091839
1091840	1091841	1091842	1091843	1091844	1091845	1091846	1091847	1091848	1091849				



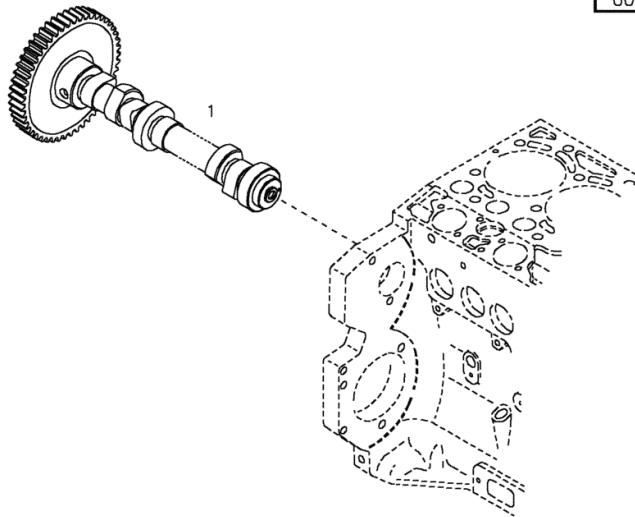
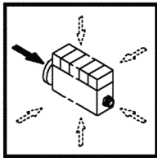
1	04251250	5	screw
2	04209891	0	gasket DEPENDENT ON MEASUREMENT RESULT SEAL THICKNESS -AS-DELIVERED CONDITION (A)= ...MM -ASSEMBLY CONDI
3	04209892	0	gasket DEPENDENT ON MEASUREMENT RESULT SEAL THICKNESS -AS-DELIVERED CONDITION (A)= ...MM -ASSEMBLY CONDI
4	04209893	0	gasket DEPENDENT ON MEASUREMENT RESULT SEAL THICKNESS -AS-DELIVERED CONDITION (A)= ...MM -ASSEMBLY CONDI
5	04251251	13	screw
6	01181405	2	grain H 002341-B15X18-FE/ZN12C*

Section: ENGINE  
CAMSHAFT

Fig.	Code	QTY	Name
------	------	-----	------

Engine Serial Numbers:

424843	434952	434953	434954	434955	434956	434957	434958	434959	434960	434961	434962	434963	434964
434965	434966	434967	434968	434969	434970	435463	435464	435465	440032	440033	440034	440035	440036
440037	440038	440039	440040	440041	440042	440043	440044	440045	440046	440047	446188	446189	449259
449260	449261	449262	449263	449264	453540	453541	453542	453543	453544	453545	453546	453547	453548
453549	453597	453598	453599	453600	453601	453602	453603	463064	467087	467088	467089	467090	467091
467092	467093	467094	469650	469651	469652	469653	469654	469655	469656	469657	469658	469659	469660
469661	469662	469663	469664	469665	469666	469667	469668	469669	469670	469671	469672	470553	470554
470555	470556	470557	470558	470559	470560	470561	470562	470563	470564	476252	476253	476254	476255
476256	476257	501619	501620	501621	501622	503200	503201	503202	503203	503204	503205	503206	503207
503208	503209	505594	508317	508318	508319	508320	516727	516728	516729	516730	516731	516732	516733
527096	527097	527098	527099	527100	527101	527102	527103	532180	532181	532182	532183	532184	532185
542255	542256	542257	547793	547794	547795	551352	551353	552898	552899	552900	552901	552902	552903
552904	552905	552906	552907	552908	553026	553027	553028	553029	553030	558316	558317	565073	565074
565075	565076	565077	565078	565079	567082	567083	567084	567085	567086	567087	567088	567089	567090
567686	567687	567688	567689	572611	580011	580012	580013	584819	584820	584821	584822	584823	584824
584825	584826	584827	584828	584829	584830	584831	584832	584833	584834	584835	584836	584837	584838
584839	584840	584841	584842	584843	584844	584845	584846	584847	584848	584849	584850	601241	601242
601243	601244	601245	601246	603865	603866	603867	603868	603869	603870	603871	603872	606365	606366
606367	606368	606369	606370	606371	606372	606373	606374	613415	613416	614821	614822	614823	614824
614825	614826	614827	614828	614829	614830	614831	614832	614833	614834	614835	614836	614837	614838
614839	614840	624116	624117	624118	624119	625038	625039	625040	625041	625042	625043	625044	625045
625046	625047	625048	625049	625050	625051	625052	632130	632131	632132	632133	632134	632135	632136
636518	636519	636520	637402	637403	637404	637405	637406	644608	644609	644610	644611	644612	647984
648309	648310	648311	648312	648313	648314	648315	648316	648317	648318	657437	657438	657439	658432
658433	658434	658435	658436	658437	658438	658439	658440	658441	658442	658443	658444	658445	658446
658447	658448	658449	658450	658451	658452	665041	665042	665043	665044	665045	665046	665047	665048
665049	665050	665051	665052	665053	665054	665055	665056	665662	668533	668534	668535	668536	668537
668538	673603	673604	673605	673606	673607	673608	673609	673651	673652	673653	673654	681747	681748
682198	682199	682200	682201	682202	683191	683192	683193	683194	683195	683196	683197	683198	683199
683200	683201	683202	696199	696200	696201	696202	696666	696667	696668	696669	696670	696671	696672
696673	699727	700357	700358	700359	700360	700361	700362	700363	700364	700365	700366	700367	700368
700369	703094	703095	703096	703097	703098	703099	703152	704271	704272	704273	704274	711714	711715
711716	711717	711718	711719	711720	711721	711722	714960	714961	714962	714963	714964	714965	717821
717822	726318	730435	730436	730437	730438	730439	730440	730441	730442	730443	730444	730445	730446
730447	730448	730449	730450	730451	730452	732039	732040	734334	734335	734336	734337	734338	734339
734340	734341	734342	734343	734344	739402	739403	739404	739405	751667	751668	751669	751670	751671
751672	751673	751674	751675	751676	751677	751678	751679	751680	751681	751682	751683	751684	760168
760169	760170	760171	760172	760173	760174	760175	760176	760177	760178	760179	760615	760616	760617
760618	760619	768261	768262	768263	768264	771033	775214	775215	780315	780316	780317	780319	780320
780817	780818	782055	782056	782057	782058	782059	782060	782061	782083	782084	782085	782086	782087
782088	782089	782090	788371	788372	788373	788374	788384	788385	788386	788387	788388	788389	788390
788391	788392	788393	788394	788395	792534	792535	792536	792587	792588	792589	792590	792591	792592
792593	792594	794247	794248	794249	794250	794251	803005	803006	803007	803008	803009	803010	803011
803012	803013	803014	803015	803016	803017	803018	803019	804768	804769	804770	804771	804772	815515
815516	815517	815518	815519	815520	815521	815522	815523	815524	815525	815526	815527	815528	816443
816444	816445	816446	818112	818113	818114	818115	818145	818146	824135	824136	824204	831022	831023
831024	831025	831026	831027	831028	831029	833626	839625	839626	839627	839628	839629	839630	839631
839632	839633	839634	843175	843176	843177	843178	843236	843237	843238	843239	843240	843241	843242

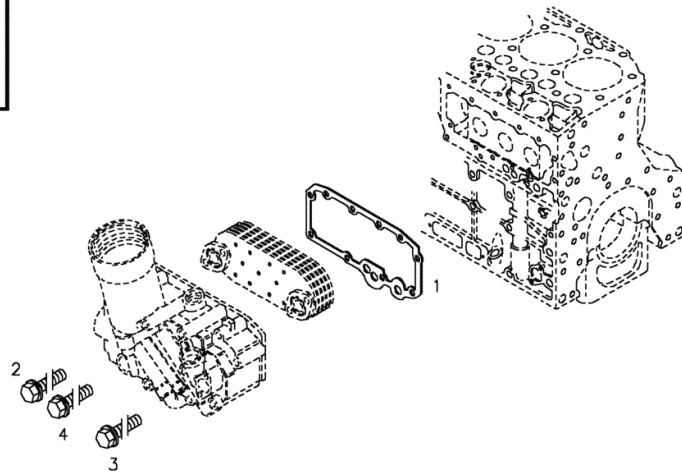
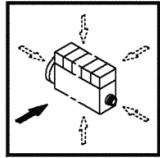


Section: ENGINE  
FASTENINGS

Fig.	Code	QTY	Name
------	------	-----	------

Engine Serial Numbers:

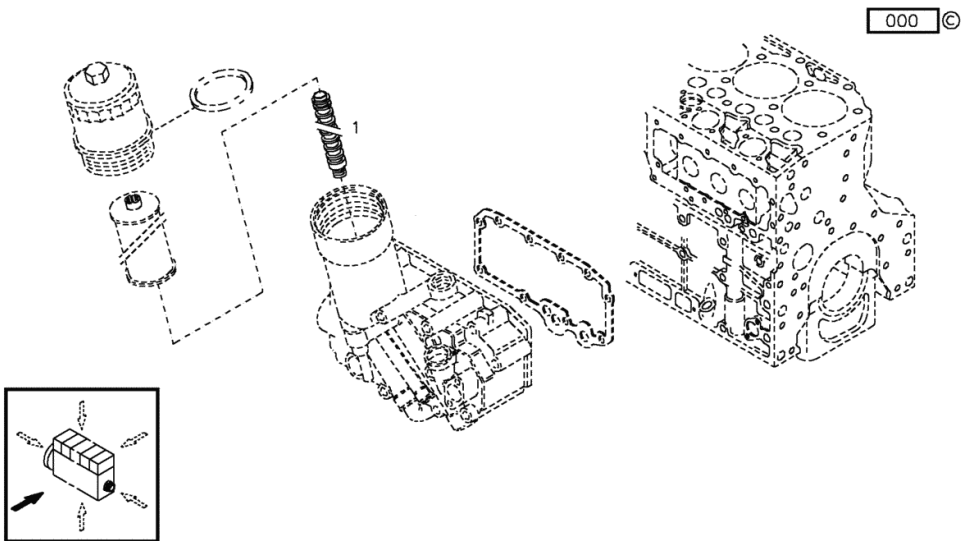
361784	361785	361786	361787	361788	373838	373839	373840	373841	373842	373843	373844	373845	373846
373847	376402	376403	376404	376405	376406	376407	376408	380849	380850	380851	380852	380853	380854
380855	380856	380857	382518	382519	382520	382521	382522	382523	382524	382525	382526	382527	382528
382529	382530	382531	382532	382533	382534	382535	389064	389065	389066	389067	389068	389069	389070
389071	389072	389073	389074	389075	389076	389077	389078	389079	389080	390109	390110	390111	390112
390113	390114	390605	390606	390607	390608	404494	404495	404496	404497	404498	404499	404500	404501
409392	409393	409394	409395	410304	410305	410306	410307	410308	410309	424843	434952	434953	434954
434955	434956	434957	434958	434959	434960	434961	434962	434963	434964	434965	434966	434967	434968
434969	434970	435463	435464	435465	440032	440033	440034	440035	440036	440037	440038	440039	440040
440041	440042	440043	440044	440045	440046	440047	446188	446189	449259	449260	449261	449262	449263
449264	453540	453541	453542	453543	453544	453545	453546	453547	453548	453549	453597	453598	453599
453600	453601	453602	453603	463064	467087	467088	467089	467090	467091	467092	467093	467094	469650
469651	469652	469653	469654	469655	469656	469657	469658	469659	469660	469661	469662	469663	469664
469665	469666	469667	469668	469669	469670	469671	469672	470553	470554	470555	470556	470557	470558
470559	470560	470561	470562	470563	470564	476252	476253	476254	476255	476256	476257	501619	501620
501621	501622	503200	503201	503202	503203	503204	503205	503206	503207	503208	503209	505594	508317
508318	508319	508320	516727	516728	516729	516730	516731	516732	516733	527096	527097	527098	527099
527100	527101	527102	527103	532180	532181	532182	532183	532184	532185	542255	542256	542257	547793
547794	547795	551352	551353	552898	552899	552900	552901	552902	552903	552904	552905	552906	552907
552908	553026	553027	553028	553029	553030	558316	558317	565073	565074	565075	565076	565077	565078
565079	567082	567083	567084	567085	567086	567087	567088	567089	567090	567686	567687	567688	567689
572611	580011	580012	580013	584819	584820	584821	584822	584823	584824	584825	584826	584827	584828
584829	584830	584831	584832	584833	584834	584835	584836	584837	584838	584839	584840	584841	584842
584843	584844	584845	584846	584847	584848	584849	584850	601241	601242	601243	601244	601245	601246
603865	603866	603867	603868	603869	603870	603871	603872	606365	606366	606367	606368	606369	606370
606371	606372	606373	606374	613415	613416	614821	614822	614823	614824	614825	614826	614827	614828
614829	614830	614831	614832	614833	614834	614835	614836	614837	614838	614839	614840	624116	624117
624118	624119	625038	625039	625040	625041	625042	625043	625044	625045	625046	625047	625048	625049
625050	625051	625052	632130	632131	632132	632133	632134	632135	632136	636518	636519	636520	637402
637403	637404	637405	637406	644608	644609	644610	644611	644612	647984	648309	648310	648311	648312
648313	648314	648315	648316	648317	648318	657437	657438	657439	658432	658433	658434	658435	658436
658437	658438	658439	658440	658441	658442	658443	658444	658445	658446	658447	658448	658449	658450
658451	658452	665041	665042	665043	665044	665045	665046	665047	665048	665049	665050	665051	665052
665053	665054	665055	665056	665662	668533	668534	668535	668536	668537	668538	673603	673604	673605
673606	673607	673608	673609	673651	673652	673653	673654	681747	681748	682198	682199	682200	682201
682202	683191	683192	683193	683194	683195	683196	683197	683198	683199	683200	683201	683202	696199
696200	696201	696202	696666	696667	696668	696669	696670	696671	696672	696673	699727	700357	700358
700359	700360	700361	700362	700363	700364	700365	700366	700367	700368	700369	703094	703095	703096
703097	703098	703099	703152	704271	704272	704273	704274	711714	711715	711716	711717	711718	711719
711720	711721	711722	714960	714961	714962	714963	714964	714965	717821	717822	726318	730435	730436
730437	730438	730439	730440	730441	730442	730443	730444	730445	730446	730447	730448	730449	730450
730451	730452	732039	732040	734334	734335	734336	734337	734338	734339	734340	734341	734342	734343
734344	739402	739403	739404	739405	751667	751668	751669	751670	751671	751672	751673	751674	751675
751676	751677	751678	751679	751680	751681	751682	751683	751684	760168	760169	760170	760171	760172
760173	760174	760175	760176	760177	760178	760179	760615	760616	760617	760618	760619	768261	768262
768263	768264	771033	775214	775215	780315	780316	780317	780319	780320	780817	780818	782055	782056
782057	782058	782059	782060	782061	782083	782084	782085	782086	782087	782088	782089	782090	788371
788372	788373	788374	788384	788385	788386	788387	788388	788389	788390	788391	788392	788393	788394



000 ©

Section: ENGINE  
**OIL COOLER BOX**

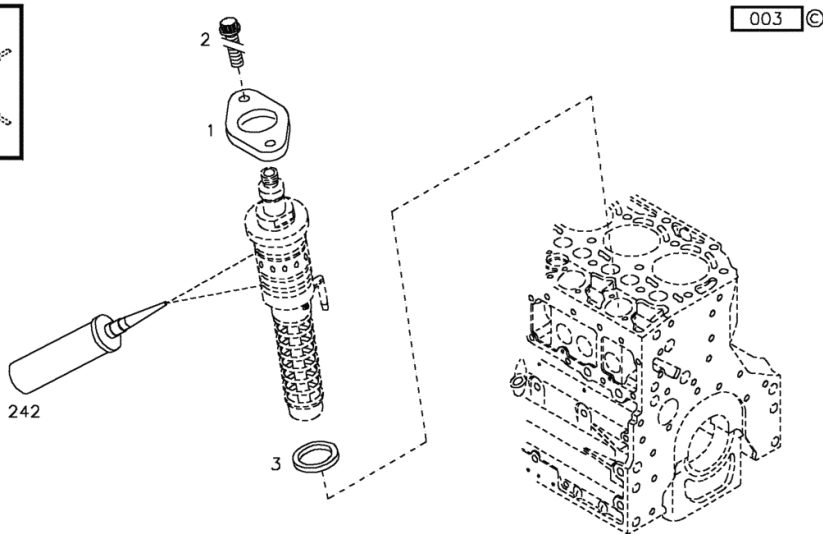
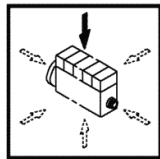
Fig.	Code	QTY	Name																																																																																																													
867464	867465	873884	873885	873886	873911	873912	873913	873914	873915	873916	882669	882670	882671	882672	882673	882887	882888	1016114	1016115	1016116	1016117	1016118	1016119	1016120	1016121	1016122	1016123	1016124	1016125	1016126	1016127	1016128	1016129	1016130	1016131	1016132	1016133	1090467	1090468	1090469	1090470	1090471	1090472	1090473	1090474	1090475	1090476	1090477	1090478	1090479	1090480	1090481	1090482	1090483	1090484	1090485	1090486	1090487	1090488	1090489	1090490	1090491	1091800	1091801	1091802	1091803	1091804	1091805	1091806	1091807	1091808	1091809	1091810	1091811	1091812	1091813	1091814	1091815	1091816	1091817	1091818	1091819	1091820	1091821	1091822	1091823	1091824	1091825	1091826	1091827	1091828	1091829	1091830	1091831	1091832	1091833	1091834	1091835	1091836	1091837	1091838	1091839	1091840	1091841	1091842	1091843	1091844	1091845	1091846	1091847	1091848	1091849



000 ©	1	04208354	1	column
-------	---	----------	---	--------

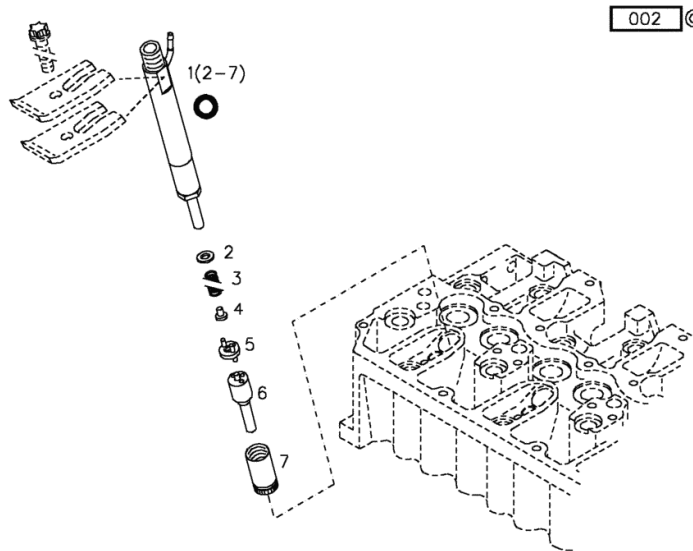
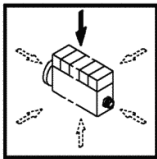
Section: ENGINE  
FASTENINGS

Fig.	Code	QTY	Name
			OTHER THICKNESSES SEE ITEM (B) A = 1.50
953	04204146	0	shim mm 1.60 DEPENDENT ON MEASUREMENT RESULT GASKET THICKNESS (A) = MM OTHER THICKNESSES SEE ITEM (B) A = 1.60
954	04204147	0	shim mm 1.70 DEPENDENT ON MEASUREMENT RESULT GASKET THICKNESS (A) = MM OTHER THICKNESSES SEE ITEM (B) A = 1.70
955	04204148	0	shim mm 1.80 DEPENDENT ON MEASUREMENT RESULT GASKET THICKNESS (A) = MM OTHER THICKNESSES SEE ITEM (B) A = 1.80
956	04204149	0	shim mm 1.90 DEPENDENT ON MEASUREMENT RESULT GASKET THICKNESS (A) = MM OTHER THICKNESSES SEE ITEM (B) A = 1.90
957	04204150	0	shim mm 2.00 DEPENDENT ON MEASUREMENT RESULT GASKET THICKNESS (A) = MM OTHER THICKNESSES SEE ITEM (B) A = 2.00
958	04204151	0	shim mm 2.10 DEPENDENT ON MEASUREMENT RESULT GASKET THICKNESS (A) = MM OTHER THICKNESSES SEE ITEM (B) A = 2.10
959	04204152	0	shim mm 2.20 DEPENDENT ON MEASUREMENT RESULT GASKET THICKNESS (A) = MM OTHER THICKNESSES SEE ITEM (B) A = 2.20



Section: ENGINE  
**FUEL INJECTOR**

Fig.	Code	QTY	Name
968	01318344	0	shim mm 1.64 OVERSIZE 1.64 MM
969	01318345	0	shim mm 1.68 OVERSIZE 1.68 MM
970	01318346	0	shim mm 1.70 OVERSIZE 1.70 MM
971	01318289	0	shim mm 1.74 OVERSIZE 1.74 MM
972	01318347	0	shim mm 1.78 OVERSIZE 1.78 MM
973	01318348	0	shim mm 1.80 OVERSIZE 1.80 MM
974	01318349	0	shim mm 1.84 OVERSIZE 1.84 MM
975	01318350	0	shim mm 1.88 OVERSIZE 1.88 MM
976	01318351	0	shim mm 1.90 OVERSIZE 1.90 MM
977	01318352	0	shim mm 1.94 OVERSIZE 1.94 MM
978	01318290	0	shim mm 1.98 OVERSIZE 1.98 MM
980	03045390	0	injector RECONDITIONED PART - FOR NEW PART SEE POS. (A) COMPLETE WITH POSITION .. (2-7) A = POS.1



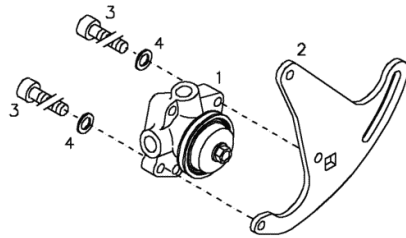
Section: ENGINE  
**FUEL SUPPLY PUMP**

Fig.	Code	QTY	Name
------	------	-----	------

**Engine Serial Numbers:**

361784 361785 361786 361787 361788 373838 373839 373840 373841 373842 373843 373844 373845 373846  
 373847 376402 376403 376404 376405 376406 376407 376408 380849 380850 380851 380852 380853 380854  
 380855 380856 380857 382518 382519 382520 382521 382522 382523 382524 382525 382526 382527 382528  
 382529 382530 382531 382532 382533 382534 382535 389064 389065 389066 389067 389068 389069 389070  
 389071 389072 389073 389074 389075 389076 389077 389078 389079 389080 390109 390110 390111 390112  
 390113 390114 390605 390606 390607 390608 404494 404495 404496 404497 404498 404499 404500 404501  
 409392 409393 409394 409395 410304 410305 410306 410307 410308 410309 424843 434952 434953 434954  
 434955 434956 434957 434958 434959 434960 434961 434962 434963 434964 434965 434966 434967 434968  
 434969 434970 435463 435464 435465 440032 440033 440034 440035 440036 440037 440038 440039 440040  
 440041 440042 440043 440044 440045 440046 440047 446188 446189 449259 449260 449261 449262 449263  
 449264 453540 453541 453542 453543 453544 453545 453546 453547 453548 453549 453597 453598 453599  
 453600 453601 453602 453603 463064 467087 467088 467089 467090 467091 467092 467093 467094 469650  
 469651 469652 469653 469654 469655 469656 469657 469658 469659 469660 469661 469662 469663 469664  
 469665 469666 469667 469668 469669 469670 469671 469672 470553 470554 470555 470556 470557 470558  
 470559 470560 470561 470562 470563 470564 476252 476253 476254 476255 476256 476257 501619 501620  
 501621 501622 503200 503201 503202 503203 503204 503205 503206 503207 503208 503209 505594 508317  
 508318 508319 508320 516727 516728 516729 516730 516731 516732 516733 527096 527097 527098 527099  
 527100 527101 527102 527103 532180 532181 532182 532183 532184 532185 542255 542256 542257 547793  
 547794 547795 551352 551353 552898 552899 552900 552901 552902 552903 552904 552905 552906 552907  
 552908 553026 553027 553028 553029 553030 558316 558317 565073 565074 565075 565076 565077 565078  
 565079 567082 567083 567084 567085 567086 567087 567088 567089 567090 567686 567687 567688 567689  
 572611 580011 580012 580013 584819 584820 584821 584822 584823 584824 584825 584826 584827 584828  
 584829 584830 584831 584832 584833 584834 584835 584836 584837 584838 584839 584840 584841 584842  
 584843 584844 584845 584846 584847 584848 584849 584850 601241 601242 601243 601244 601245 601246  
 603865 603866 603867 603868 603869 603870 603871 603872 606365 606366 606367 606368 606369 606370  
 606371 606372 606373 606374 613415 613416 614821 614822 614823 614824 614825 614826 614827 614828  
 614829 614830 614831 614832 614833 614834 614835 614836 614837 614838 614839 614840 624116 624117  
 624118 624119 625038 625039 625040 625041 625042 625043 625044 625045 625046 625047 625048 625049  
 625050 625051 625052 632130 632131 632132 632133 632134 632135 632136 636518 636519 636520 637402  
 637403 637404 637405 637406 644608 644609 644610 644611 644612 647984 648309 648310 648311 648312  
 648313 648314 648315 648316 648317 648318 657437 657438 657439 658432 658433 658434 658435 658436  
 658437 658438 658439 658440 658441 658442 658443 658444 658445 658446 658447 658448 658449 658450  
 658451 658452 665041 665042 665043 665044 665045 665046 665047 665048 665049 665050 665051 665052  
 665053 665054 665055 665056 665662 668533 668534 668535 668536 668537 668538 673603 673604 673605  
 673606 673607 673608 673609 673651 673652 673653 673654 681747 681748 682198 682199 682200 682201  
 682202 683191 683192 683193 683194 683195 683196 683197 683198 683199 683200 683201 683202 696199  
 696200 696201 696202 696666 696667 696668 696669 696670 696671 696672 696673 699727 700357 700358  
 700359 700360 700361 700362 700363 700364 700365 700366 700367 700368 700369 703094 703095 703096  
 703097 703098 703099 703152 704271 704272 704273 704274 711714 711715 711716 711717 711718 711719  
 711720 711721 711722 714960 714961 714962 714963 714964 714965 717821 717822 726318 730435 730436  
 730437 730438 730439 730440 730441 730442 730443 730444 730445 730446 730447 730448 730449 730450  
 730451 730452 732039 732040 734334 734335 734336 734337 734338 734339 734340 734341 734342 734343  
 734344 739402 739403 739404 739405 751667 751668 751669 751670 751671 751672 751673 751674 751675  
 751676 751677 751678 751679 751680 751681 751682 751683 751684 760168 760169 760170 760171 760172  
 760173 760174 760175 760176 760177 760178 760179 760615 760616 760617 760618 760619 768261 768262  
 768263 768264 771033 775214 775215 780315 780316 780317 780319 780320 780817 780818 782055 782056  
 782057 782058 782059 782060 782061 782083 782084 782085 782086 782087 782088 782089 782090 788371  
 788372 788373 788374 788384 788385 788386 788387 788388 788389 788390 788391 788392 788393 788394 1/2

001 ©



CLICK HERE TO **DOWNLOAD** THE COMPLETE MANUAL

- Thank you very much for reading the preview of the manual.
- You can download the complete manual from: [www.heydownloads.com](http://www.heydownloads.com) by clicking the link below



- Please note: If there is no response to CLICKING the link, please download this PDF first and then click on it.

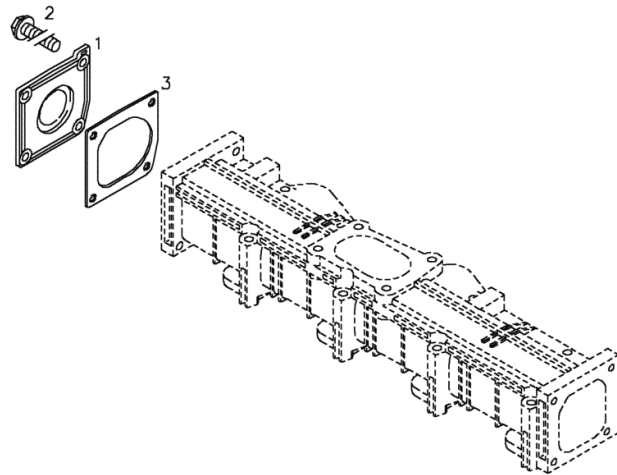
CLICK HERE TO **DOWNLOAD** THE COMPLETE MANUAL

Section: ENGINE  
**TUNNEL COVER**

Fig.	Code	QTY	Name
------	------	-----	------

788395	792534	792535	792536	792587	792588	792589	792590	792591	792592	792593	792594	794247	794248
794249	794250	794251	803005	803006	803007	803008	803009	803010	803011	803012	803013	803014	803015
803016	803017	803018	803019	804768	804769	804770	804771	804772	815515	815516	815517	815518	815519
815520	815521	815522	815523	815524	815525	815526	815527	815528	816443	816444	816445	816446	818112
818113	818114	818115	818145	818146	824135	824136	824204	831022	831023	831024	831025	831026	831027
831028	831029	833626	839625	839626	839627	839628	839629	839630	839631	839632	839633	839634	843175
843176	843177	843178	843236	843237	843238	843239	843240	843241	843242	843243	843244	843245	843246
843247	843248	843249	844178	844179	844180	844181	847808	847809	847810	847811	847812	847813	848245
848246	848247	848248	848249	851555	851556	851557	851558	851559	851560	851561	851562	867285	867286
867287	867288	867289	867290	867291	867292	867461	867462	867463	867464	867465	873884	873885	873886
873911	873912	873913	873914	873915	873916	882669	882670	882671	882672	882673	882887	882888	1016114
1016115	1016116	1016117	1016118	1016119	1016120	1016121	1016122	1016123	1016124	1016125	1016126	1016127	1016128
1016129	1016130	1016131	1016132	1016133	1090467	1090468	1090469	1090470	1090471	1090472	1090473	1090474	1090475
1090476	1090477	1090478	1090479	1090480	1090481	1090482	1090483	1090484	1090485	1090486	1090487	1090488	1090489
1090490	1090491	1091800	1091801	1091802	1091803	1091804	1091805	1091806	1091807	1091808	1091809	1091810	1091811
1091812	1091813	1091814	1091815	1091816	1091817	1091818	1091819	1091820	1091821	1091822	1091823	1091824	1091825
1091826	1091827	1091828	1091829	1091830	1091831	1091832	1091833	1091834	1091835	1091836	1091837	1091838	1091839
1091840	1091841	1091842	1091843	1091844	1091845	1091846	1091847	1091848	1091849				

002 ©



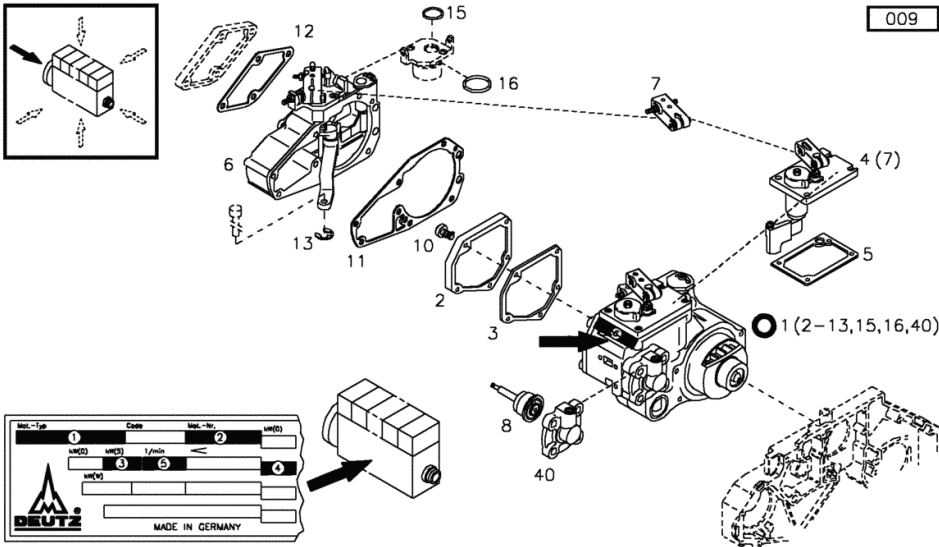
1	04207062	1	cover
2	01179291	4	screw EN 001662-F-M 6 X 16- 10.9-A4C
3	04198669	1	gasket

Section: ENGINE  
CONTROLLER

Fig.	Code	QTY	Name
------	------	-----	------

Engine Serial Numbers:

361784	361785	361786	361787	361788	373838	373839	373840	373841	373842	373843	373844	373845	373846
373847	376402	376403	376404	376405	376406	376407	376408	380849	380850	380851	380852	380853	380854
380855	380856	380857	382518	382519	382520	382521	382522	382523	382524	382525	382526	382527	382528
382529	382530	382531	382532	382533	382534	382535	389064	389065	389066	389067	389068	389069	389070
389071	389072	389073	389074	389075	389076	389077	389078	389079	389080	390109	390110	390111	390112
390113	390114	390605	390606	390607	390608	404494	404495	404496	404497	404498	404499	404500	404501
409392	409393	409394	409395	410304	410305	410306	410307	410308	410309	424843	434952	434953	434954
434955	434956	434957	434958	434959	434960	434961	434962	434963	434964	434965	434966	434967	434968
434969	434970	435463	435464	435465	440032	440033	440034	440035	440036	440037	440038	440039	440040
440041	440042	440043	440044	440045	440046	440047	446188	446189	449259	449260	449261	449262	449263
449264	453540	453541	453542	453543	453544	453545	453546	453547	453548	453549	453597	453598	453599
453600	453601	453602	453603	463064	467087	467088	467089	467090	467091	467092	467093	467094	469650
469651	469652	469653	469654	469655	469656	469657	469658	469659	469660	469661	469662	469663	469664
469665	469666	469667	469668	469669	469670	469671	469672	470553	470554	470555	470556	470557	470558
470559	470560	470561	470562	470563	470564	476252	476253	476254	476255	476256	476257	501619	501620
501621	501622	503200	503201	503202	503203	503204	503205	503206	503207	503208	503209	505594	508317
508318	508319	508320	516727	516728	516729	516730	516731	516732	516733	527096	527097	527098	527099
527100	527101	527102	527103	532180	532181	532182	532183	532184	532185	542255	542256	542257	547793
547794	547795	551352	551353	552898	552899	552900	552901	552902	552903	552904	552905	552906	552907
552908	553026	553027	553028	553029	553030	558316	558317	565073	565074	565075	565076	565077	565078
565079	567082	567083	567084	567085	567086	567087	567088	567089	567090	567686	567687	567688	567689
572611	580011	580012	580013	584819	584820	584821	584822	584823	584824	584825	584826	584827	584828
584829	584830	584831	584832	584833	584834	584835	584836	584837	584838	584839	584840	584841	584842
584843	584844	584845	584846	584847	584848	584849	584850	601241	601242	601243	601244	601245	601246
603865	603866	603867	603868	603869	603870	603871	603872	606365	606366	606367	606368	606369	606370
606371	606372	606373	606374	613415	613416	614821	614822	614823	614824	614825	614826	614827	614828
614829	614830	614831	614832	614833	614834	614835	614836	614837	614838	614839	614840	624116	624117
624118	624119	625038	625039	625040	625041	625042	625043	625044	625045	625046	625047	625048	625049
625050	625051	625052	632130	632131	632132	632133	632134	632135	632136	636518	636519	636520	637402
637403	637404	637405	637406	644608	644609	644610	644611	644612	647984	648309	648310	648311	648312
648313	648314	648315	648316	648317	648318	657437	657438	657439	658432	658433	658434	658435	658436
658437	658438	658439	658440	658441	658442	658443	658444	658445	658446	658447	658448	658449	658450
658451	658452	665041	665042	665043	665044	665045	665046	665047	665048	665049	665050	665051	665052
665053	665054	665055	665056	665662	668533	668534	668535	668536	668537	668538	673603	673604	673605
673606	673607	673608	673609	673651	673652	673653	673654	681747	681748	682198	682199	682200	682201
682202	683191	683192	683193	683194	683195	683196	683197	683198	683199	683200	683201	683202	696199
696200	696201	696202	696666	696667	696668	696669	696670	696671	696672	696673	700357	700358	700359
700360	700361	700362	700363	700364	700365	700366	700367	700368	700369	703094	703095	703096	703097
703098	703099	703152	704271	704272	704273	704274	711714	711715	711716	711717	711718	711719	711720
711721	711722	714960	714961	714962	714963	714964	714965	717821	717822	726318	730435	730436	730437
730438	730439	730440	730441	730442	730443	730444	730445	730446	730447	730448	730449	730450	730451
730452	732039	732040	734334	734335	734336	734337	734338	734339	734340	734341	734342	734343	734344
739402	739403	739404	739405	751667	751668	751669	751670	751671	751672	751673	751674	751675	751676
751677	751678	751679	751680	751681	751682	751683	751684	760168	760169	760170	760171	760172	760173
760174	760175	760176	760177	760178	760179	760615	760616	760617	760618	760619	768261	768262	768263
768264	771033	775214	775215	780315	780316	780317	780318	780319	780320	780817	780818	782055	782056
782057	782058	782059	782060	782061	782083	782084	782085	782086	782087	782088	782089	782090	788371
788372	788373	788374	788384	788385	788386	788387	788388	788389	788390	788391	788392	788393	788394



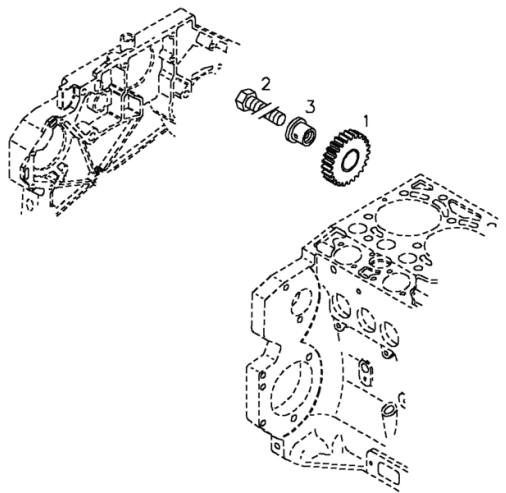
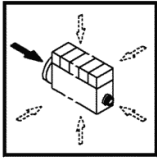
Section: ENGINE  
**INTERMEDIATE GEAR**

Fig.	Code	QTY	Name
------	------	-----	------

843243	843244	843245	843246	843247	843248	843249	844178	844179	844180	844181	847808	847809	847810	847811	847812	847813	848245	848246	848247	848248	848249	851555	851556	851557	851558	851559	851560	851561	851562	867285	867286	867287	867288	867289	867290	867291	867292	867461	867462	867463	867464	867465	873884	873885	873886	873911	873912	873913	873914	873915	873916	882669	882670	882671	882672	882673	882887	882888	1016114	1016115	1016116	1016117	1016118	1016119	1016120	1016121	1016122	1016123	1016124	1016125	1016126	1016127	1016128	1016129	1016130	1016131	1016132	1016133	1090467	1090468	1090469	1090470	1090471	1090472	1090473	1090474	1090475	1090476	1090477	1090478	1090479	1090480	1090481	1090482	1090483	1090484	1090485	1090486	1090487	1090488	1090489	1090490	1090491	1091800	1091801	1091802	1091803	1091804	1091805	1091806	1091807	1091808	1091809	1091810	1091811	1091812	1091813	1091814	1091815	1091816	1091817	1091818	1091819	1091820	1091821	1091822	1091823	1091824	1091825	1091826	1091827	1091828	1091829	1091830	1091831	1091832	1091833	1091834	1091835	1091836	1091837	1091838	1091839	1091840	1091841	1091842	1091843	1091844	1091845	1091846	1091847	1091848	1091849
--------	--------	--------	--------	--------	--------	--------	--------	--------	--------	--------	--------	--------	--------	--------	--------	--------	--------	--------	--------	--------	--------	--------	--------	--------	--------	--------	--------	--------	--------	--------	--------	--------	--------	--------	--------	--------	--------	--------	--------	--------	--------	--------	--------	--------	--------	--------	--------	--------	--------	--------	--------	--------	--------	--------	--------	--------	--------	--------	---------	---------	---------	---------	---------	---------	---------	---------	---------	---------	---------	---------	---------	---------	---------	---------	---------	---------	---------	---------	---------	---------	---------	---------	---------	---------	---------	---------	---------	---------	---------	---------	---------	---------	---------	---------	---------	---------	---------	---------	---------	---------	---------	---------	---------	---------	---------	---------	---------	---------	---------	---------	---------	---------	---------	---------	---------	---------	---------	---------	---------	---------	---------	---------	---------	---------	---------	---------	---------	---------	---------	---------	---------	---------	---------	---------	---------	---------	---------	---------	---------	---------	---------	---------	---------	---------	---------	---------	---------	---------	---------	---------	---------	---------	---------

000 ©

1	04256808	1	gear
2	01100233	1	screw ISO 004017-M 8 X 35 - 10.9-A4C
3	04192487	1	journal



**COOLING WATER PUMP**

Fig.	Code	QTY	Name
------	------	-----	------

**Engine Serial Numbers:**

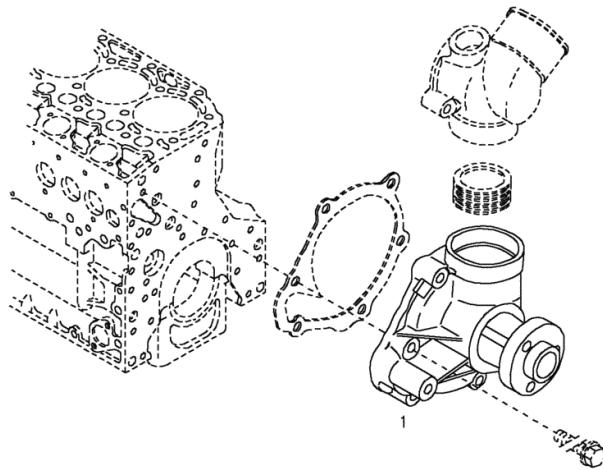
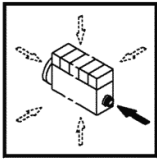
1016114 1016115 1016116 1016117 1016118 1016119 1016120 1016121 1016122 1016123 1016124 1016125  
 1016126 1016127 1016128 1016129 1016130 1016131 1016132 1016133 1090467 1090468 1090469 1090470  
 1090471 1090472 1090473 1090474 1090475 1090476 1090477 1090478 1090479 1090480 1090481 1090482  
 1090483 1090484 1090485 1090486 1090487 1090488 1090489 1090490 1090491 1091800 1091801 1091802  
 1091803 1091804 1091805 1091806 1091807 1091808 1091809 1091810 1091811 1091812 1091813 1091814  
 1091815 1091816 1091817 1091818 1091819 1091820 1091821 1091822 1091823 1091824 1091825 1091826  
 1091827 1091828 1091829 1091830 1091831 1091832 1091833 1091834 1091835 1091836 1091837 1091838  
 1091839 1091840 1091841 1091842 1091843 1091844 1091845 1091846 1091847 1091848 1091849

000 © 1

04259546

1

water pump



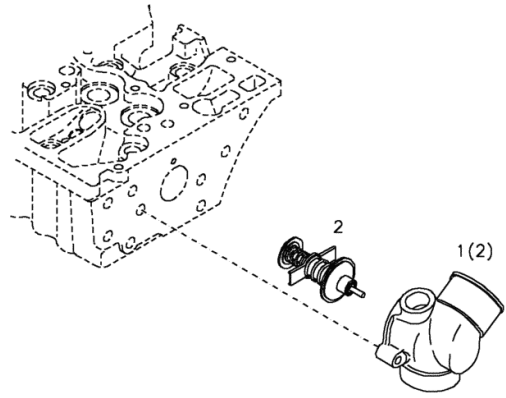
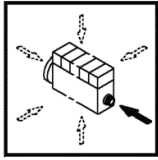
Section: ENGINE  
THERMOSTAT

Fig.	Code	QTY	Name
------	------	-----	------

788395	792534	792535	792536	792587	792588	792589	792590	792591	792592	792593	792594	794247	794248
794249	794250	794251	803005	803006	803007	803008	803009	803010	803011	803012	803013	803014	803015
803016	803017	803018	803019	804768	804769	804770	804771	804772	815515	815516	815517	815518	815519
815520	815521	815522	815523	815524	815525	815526	815527	815528	816443	816444	816445	816446	818112
818113	818114	818115	818145	818146	824135	824136	824204	831022	831023	831024	831025	831026	831027
831028	831029	833626	839625	839626	839627	839628	839629	839630	839631	839632	839633	839634	843175
843176	843177	843178	843236	843237	843238	843239	843240	843241	843242	843243	843244	843245	843246
843247	843248	843249	844178	844179	844180	844181	847808	847809	847810	847811	847812	847813	848245
848246	848247	848248	848249	851555	851556	851557	851558	851559	851560	851561	851562	867285	867286
867287	867288	867289	867290	867291	867292	867461	867462	867463	867464	867465	873884	873885	873886
873911	873912	873913	873914	873915	873916	882669	882670	882671	882672	882673	882887	882888	1016114
1016115	1016116	1016117	1016118	1016119	1016120	1016121	1016122	1016123	1016124	1016125	1016126	1016127	1016128
1016129	1016130	1016131	1016132	1016133	1090467	1090468	1090469	1090470	1090471	1090472	1090473	1090474	1090475
1090476	1090477	1090478	1090479	1090480	1090481	1090482	1090483	1090484	1090485	1090486	1090487	1090488	1090489
1090490	1090491	1091800	1091801	1091802	1091803	1091804	1091805	1091806	1091807	1091808	1091809	1091810	1091811
1091812	1091813	1091814	1091815	1091816	1091817	1091818	1091819	1091820	1091821	1091822	1091823	1091824	1091825
1091826	1091827	1091828	1091829	1091830	1091831	1091832	1091833	1091834	1091835	1091836	1091837	1091838	1091839
1091840	1091841	1091842	1091843	1091844	1091845	1091846	1091847	1091848	1091849				

001 ©

1	04208372	1	pipe fitting WITH ITEM .... (2)
2	04198786	1	thermostat

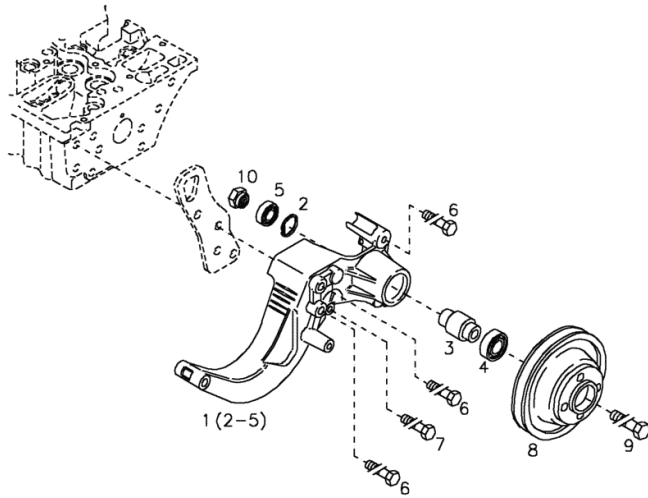
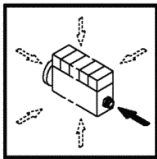


Section: ENGINE  
**FAN SUPPORT**

Fig.	Code	QTY	Name
------	------	-----	------

**Engine Serial Numbers:**

665041 665042 665043 665044 665045 665046 665047 665048 665049 665050 665051 665052 665053 665054  
 665055 665056 665662 668533 668534 668535 668536 668537 668538 673603 673604 673605 673606 673607  
 673608 673609 673651 673652 673653 673654 681747 681748 682198 682199 682200 682201 682202 683191  
 683192 683193 683194 683195 683196 683197 683198 683199 683200 683201 683202 696199 696200 696201  
 696202 696666 696667 696668 696669 696670 696671 696672 696673 699727 700357 700358 700359 700360  
 700361 700362 700363 700364 700365 700366 700367 700368 700369 703094 703095 703096 703097 703098  
 703099 703152 704271 704272 704273 704274 711714 711715 711716 711717 711718 711719 711720 711721  
 711722 714960 714961 714962 714963 714964 714965 717821 717822 726318



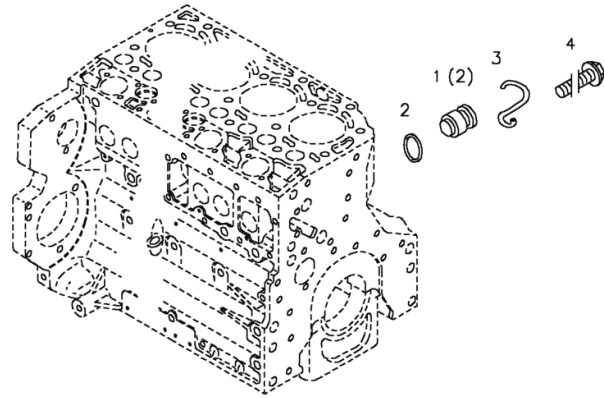
000 © 1	04259514	1	support WITH ITEM .... (2-5)
2	01107838	1	circlip DIN 000472- 52X2
3	04207928	1	shaft
4	01179116	1	bearing 6305 2rs c3 H 004461-63 05-2RS-C3
5	01179676	1	bearing H 004461-62 05-2RS-C3
6	01111360	3	screw DIN 000931- M10 X110 - 8.8-A
7	01148448	1	screw DIN 000931- M10 X 90 - 8.8-ZNAL-A
8	04208078	1	pulley
9	01144762	1	screw DIN 000931- M12 X 80 - 10.9-OELGESCHW
10	04207929	1	nut

Section: ENGINE  
**CLOSING COMPONENTS**

Fig.	Code	QTY	Name
------	------	-----	------

788395	792534	792535	792536	792587	792588	792589	792590	792591	792592	792593	792594	794247	794248
794249	794250	794251	803005	803006	803007	803008	803009	803010	803011	803012	803013	803014	803015
803016	803017	803018	803019	804768	804769	804770	804771	804772	815515	815516	815517	815518	815519
815520	815521	815522	815523	815524	815525	815526	815527	815528	816443	816444	816445	816446	818112
818113	818114	818115	818145	818146	824135	824136	824204	831022	831023	831024	831025	831026	831027
831028	831029	833626	839625	839626	839627	839628	839629	839630	839631	839632	839633	839634	843175
843176	843177	843178	843236	843237	843238	843239	843240	843241	843242	843243	843244	843245	843246
843247	843248	843249	844178	844179	844180	844181	847808	847809	847810	847811	847812	847813	848245
848246	848247	848248	848249	851555	851556	851557	851558	851559	851560	851561	851562	867285	867286
867287	867288	867289	867290	867291	867292	867461	867462	867463	867464	867465	873884	873885	873886
873911	873912	873913	873914	873915	873916	882669	882670	882671	882672	882673	882887	882888	1016114
1016115	1016116	1016117	1016118	1016119	1016120	1016121	1016122	1016123	1016124	1016125	1016126	1016127	1016128
1016129	1016130	1016131	1016132	1016133	1090467	1090468	1090469	1090470	1090471	1090472	1090473	1090474	1090475
1090476	1090477	1090478	1090479	1090480	1090481	1090482	1090483	1090484	1090485	1090486	1090487	1090488	1090489
1090490	1090491	1091800	1091801	1091802	1091803	1091804	1091805	1091806	1091807	1091808	1091809	1091810	1091811
1091812	1091813	1091814	1091815	1091816	1091817	1091818	1091819	1091820	1091821	1091822	1091823	1091824	1091825
1091826	1091827	1091828	1091829	1091830	1091831	1091832	1091833	1091834	1091835	1091836	1091837	1091838	1091839
1091840	1091841	1091842	1091843	1091844	1091845	1091846	1091847	1091848	1091849				

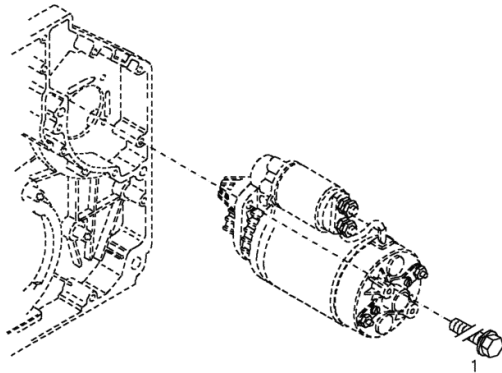
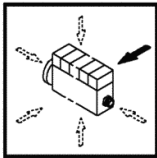
000 ©



1	04208189	1	bottom WITH ITEM .... (2)
2	01179277	1	ring H 002927- 22 X 3,5 -MVQ-1-70
3	04200763	1	bracket
4	01181436	1	screw EN 001662-F-M 8 X 16-LG 2,5-10.9-ZNAL-A

Section: ENGINE  
FASTENINGS

Fig.	Code	QTY	Name
	788395 792534 792535 792536 792587 792588 792589 792590 792591 792592 792593 792594 794247 794248 794249 794250 794251 803005 803006 803007 803008 803009 803010 803011 803012 803013 803014 803015 803016 803017 803018 803019 804768 804769 804770 804771 804772 815515 815516 815517 815518 815519 815520 815521 815522 815523 815524 815525 815526 815527 815528 816443 816444 816445 816446 818112 818113 818114 818115 818145 818146 824135 824136 824204 831022 831023 831024 831025 831026 831027 831028 831029 833626 839625 839626 839627 839628 839629 839630 839631 839632 839633 839634 843175 843176 843177 843178 843236 843237 843238 843239 843240 843241 843242 843243 843244 843245 843246 843247 843248 843249 844178 844179 844180 844181 847808 847809 847810 847811 847812 847813 848245 848246 848247 848248 848249 851555 851556 851557 851558 851559 851560 851561 851562 867285 867286 867287 867288 867289 867290 867291 867292 867461 867462 867463 867464 867465 873884 873885 873886 873911 873912 873913 873914 873915 873916 882669 882670 882671 882672 882673 882887 882888 1016114 1016115 1016116 1016117 1016118 1016119 1016120 1016121 1016122 1016123 1016124 1016125 1016126 1016127 1016128 1016129 1016130 1016131 1016132 1016133 1090467 1090468 1090469 1090470 1090471 1090472 1090473 1090474 1090475 1090476 1090477 1090478 1090479 1090480 1090481 1090482 1090483 1090484 1090485 1090486 1090487 1090488 1090489 1090490 1090491 1091800 1091801 1091802 1091803 1091804 1091805 1091806 1091807 1091808 1091809 1091810 1091811 1091812 1091813 1091814 1091815 1091816 1091817 1091818 1091819 1091820 1091821 1091822 1091823 1091824 1091825 1091826 1091827 1091828 1091829 1091830 1091831 1091832 1091833 1091834 1091835 1091836 1091837 1091838 1091839 1091840 1091841 1091842 1091843 1091844 1091845 1091846 1091847 1091848 1091849		
003	01148623	3	screw EN 1662 -F-M10X38-10.9-ZNAL-A



Section: ENGINE  
ACCESSORIES

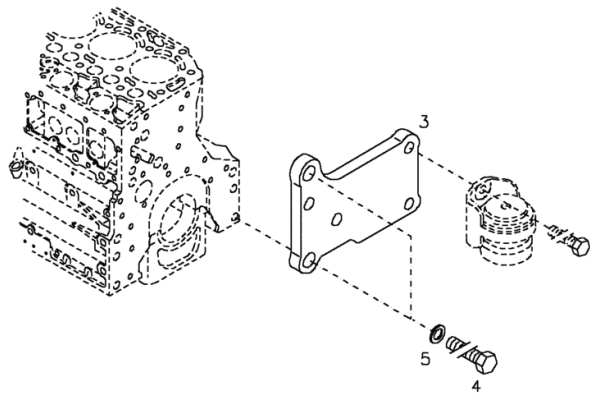
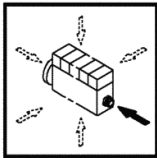
Fig.	Code	QTY	Name
------	------	-----	------

Engine Serial Numbers:

815515 815516 815517 815518 815519 815520 815521 815522 815523 815524 815525 815526 815527 815528  
 816443 816444 816445 816446 818112 818113 818114 818115 818145 818146 824135 824136 824204 831022  
 831023 831024 831025 831026 831027 831028 831029 833626 839625 839626 839627 839628 839629 839630  
 839631 839632 839633 839634 843175 843176 843177 843178 843236 843237 843238 843239 843240 843241  
 843242 843243 843244 843245 843246 843247 843248 843249 844178 844179 844180 844181 847808 847809  
 847810 847811 847812 847813 848245 848246 848247 848248 848249 851555 851556 851557 851558 851559  
 851560 851561 851562 867285 867286 867287 867288 867289 867290 867291 867292 867461 867462 867463  
 867464 867465 873884 873885 873886 873911 873912 873913 873914 873915 873916 882669 882670 882671  
 882672 882673 882887 882888 1016114 1016115 1016116 1016117 1016118 1016119 1016120 1016121 1016122  
 1016123 1016124 1016125 1016126 1016127 1016128 1016129 1016130 1016131 1016132 1016133 1090467  
 1090468 1090469 1090470 1090471 1090472 1090473 1090474 1090475 1090476 1090477 1090478 1090479  
 1090480 1090481 1090482 1090483 1090484 1090485 1090486 1090487 1090488 1090489 1090490 1090491  
 1091800 1091801 1091802 1091803 1091804 1091805 1091806 1091807 1091808 1091809 1091810 1091811  
 1091812 1091813 1091814 1091815 1091816 1091817 1091818 1091819 1091820 1091821 1091822 1091823  
 1091824 1091825 1091826 1091827 1091828 1091829 1091830 1091831 1091832 1091833 1091834 1091835  
 1091836 1091837 1091838 1091839 1091840 1091841 1091842 1091843 1091844 1091845 1091846 1091847  
 1091848 1091849

006 ©

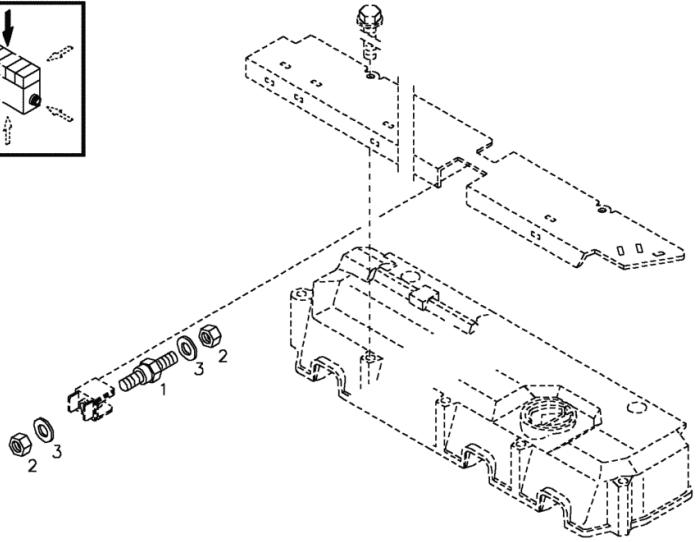
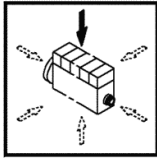
3	04288659	1	support
4	01148261	2	screw ISO 4017 -M16X40-10.9-ZNAL-A
5	01181400	2	washer H 2308 -18X25X1,5-A4C



Section: ENGINE  
**ACCESSORIES**

Fig.	Code	QTY	Name
------	------	-----	------

788395 792534 792535 792536 792587 792588 792589 792590 792591 792592 792593 792594 794247 794248  
 794249 794250 794251 803005 803006 803007 803008 803009 803010 803011 803012 803013 803014 803015  
 803016 803017 803018 803019 804768 804769 804770 804771 804772 815515 815516 815517 815518 815519  
 815520 815521 815522 815523 815524 815525 815526 815527 815528 816443 816444 816445 816446 818112  
 818113 818114 818115 818145 818146 824135 824136 824204 831022 831023 831024 831025 831026 831027  
 831028 831029 833626 839625 839626 839627 839628 839629 839630 839631 839632 839633 839634 843175  
 843176 843177 843178 843236 843237 843238 843239 843240 843241 843242 843243 843244 843245 843246  
 843247 843248 843249 844178 844179 844180 844181 847808 847809 847810 847811 847812 847813 848245  
 848246 848247 848248 848249 851555 851556 851557 851558 851559 851560 851561 851562 867285 867286  
 867287 867288 867289 867290 867291 867292 867461 867462 867463 867464 867465 873884 873885 873886  
 873911 873912 873913 873914 873915 873916 882669 882670 882671 882672 882673 882887 882888



002 ©

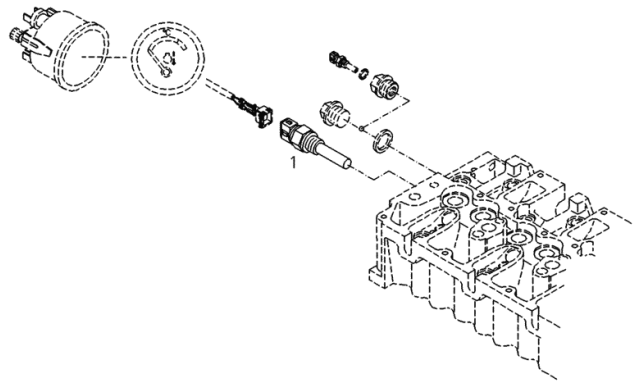
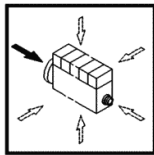
1	04199292	1	pin
2	01112810	2	nut ISO 004032-M 6 - CUZN39PB2F44
3	01151662	2	washer DIN 000125- 6,4-MS

Section: ENGINE  
**TEMPER. TRANSMITTER**

Fig.	Code	QTY	Name
------	------	-----	------

**Engine Serial Numbers:**

803005 803006 803007 803008 803009 803010 803011 803012 803013 803014 803015 803016 803017 803018  
 803019 815515 815516 815517 815518 815519 815520 815521 815522 815523 815524 815525 815526 815527  
 815528 816443 816444 816445 816446 818112 818113 818114 818115 818145 818146 824135 824136 824204  
 831022 831023 831024 831025 831026 831027 831028 831029 833626 839625 839626 839627 839628 839629  
 839630 839631 839632 839633 839634 843175 843176 843177 843178 843236 843237 843238 843239 843240  
 843241 843242 843243 843244 843245 843246 843247 843248 843249 844178 844179 844180 844181 847808  
 847809 847810 847811 847812 847813 848245 848246 848247 848248 848249 851555 851556 851557 851558  
 851559 851560 851561 851562 867285 867286 867287 867288 867289 867290 867291 867292 867461 867462  
 867463 867464 867465 873884 873885 873886 873911 873912 873913 873914 873915 873916 882669 882670  
 882671 882672 882673 882887 882888 1016114 1016115 1016116 1016117 1016118 1016119 1016120 1016121  
 1016122 1016123 1016124 1016125 1016126 1016127 1016128 1016129 1016130 1016131 1016132 1016133  
 1090467 1090468 1090469 1090470 1090471 1090472 1090473 1090474 1090475 1090476 1090477 1090478  
 1090479 1090480 1090481 1090482 1090483 1090484 1090485 1090486 1090487 1090488 1090489 1090490  
 1090491 1091800 1091801 1091802 1091803 1091804 1091805 1091806 1091807 1091808 1091809 1091810  
 1091811 1091812 1091813 1091814 1091815 1091816 1091817 1091818 1091819 1091820 1091821 1091822  
 1091823 1091824 1091825 1091826 1091827 1091828 1091829 1091830 1091831 1091832 1091833 1091834  
 1091835 1091836 1091837 1091838 1091839 1091840 1091841 1091842 1091843 1091844 1091845 1091846  
 1091847 1091848 1091849



000 ©

1	04199384	1	tempe guage
---	----------	---	-------------

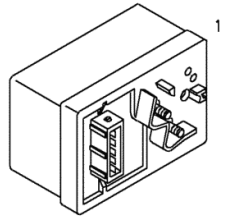
0507 8183

Section: ENGINE  
**SWITCHING DEVICE**

Fig.	Code	QTY	Name
------	------	-----	------

788395	792534	792535	792536	792587	792588	792589	792590	792591	792592	792593	792594	794247	794248
794249	794250	794251	803005	803006	803007	803008	803009	803010	803011	803012	803013	803014	803015
803016	803017	803018	803019	804768	804769	804770	804771	804772	815515	815516	815517	815518	815519
815520	815521	815522	815523	815524	815525	815526	815527	815528	816443	816444	816445	816446	818112
818113	818114	818115	818145	818146	824135	824136	824204	831022	831023	831024	831025	831026	831027
831028	831029	833626	839625	839626	839627	839628	839629	839630	839631	839632	839633	839634	843175
843176	843177	843178	843236	843237	843238	843239	843240	843241	843242	843243	843244	843245	843246
843247	843248	843249	844178	844179	844180	844181	847808	847809	847810	847811	847812	847813	848245
848246	848247	848248	848249	851555	851556	851557	851558	851559	851560	851561	851562	867285	867286
867287	867288	867289	867290	867291	867292	867461	867462	867463	867464	867465	873884	873885	873886
873911	873912	873913	873914	873915	873916	882669	882670	882671	882672	882673	882887	882888	1016114
1016115	1016116	1016117	1016118	1016119	1016120	1016121	1016122	1016123	1016124	1016125	1016126	1016127	1016128
1016129	1016130	1016131	1016132	1016133	1090467	1090468	1090469	1090470	1090471	1090472	1090473	1090474	1090475
1090476	1090477	1090478	1090479	1090480	1090481	1090482	1090483	1090484	1090485	1090486	1090487	1090488	1090489
1090490	1090491	1091800	1091801	1091802	1091803	1091804	1091805	1091806	1091807	1091808	1091809	1091810	1091811
1091812	1091813	1091814	1091815	1091816	1091817	1091818	1091819	1091820	1091821	1091822	1091823	1091824	1091825
1091826	1091827	1091828	1091829	1091830	1091831	1091832	1091833	1091834	1091835	1091836	1091837	1091838	1091839
1091840	1091841	1091842	1091843	1091844	1091845	1091846	1091847	1091848	1091849				

002 ©



1	01179712	1	resistance
---	----------	---	------------

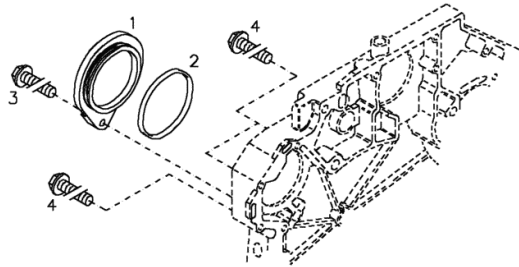
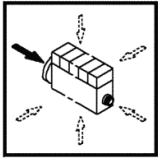
Section: ENGINE  
**CLOSING COMPONENTS**

Fig.	Code	QTY	Name
------	------	-----	------

788395	792534	792535	792536	792587	792588	792589	792590	792591	792592	792593	792594	794247	794248
794249	794250	794251	803005	803006	803007	803008	803009	803010	803011	803012	803013	803014	803015
803016	803017	803018	803019	804768	804769	804770	804771	804772	815515	815516	815517	815518	815519
815520	815521	815522	815523	815524	815525	815526	815527	815528	816443	816444	816445	816446	818112
818113	818114	818115	818145	818146	824135	824136	824204	831022	831023	831024	831025	831026	831027
831028	831029	833626	839625	839626	839627	839628	839629	839630	839631	839632	839633	839634	843175
843176	843177	843178	843236	843237	843238	843239	843240	843241	843242	843243	843244	843245	843246
843247	843248	843249	844178	844179	844180	844181	847808	847809	847810	847811	847812	847813	848245
848246	848247	848248	848249	851555	851556	851557	851558	851559	851560	851561	851562	867285	867286
867287	867288	867289	867290	867291	867292	867461	867462	867463	867464	867465	873884	873885	873886
873911	873912	873913	873914	873915	873916	882669	882670	882671	882672	882673	882887	882888	1016114
1016115	1016116	1016117	1016118	1016119	1016120	1016121	1016122	1016123	1016124	1016125	1016126	1016127	1016128
1016129	1016130	1016131	1016132	1016133	1090467	1090468	1090469	1090470	1090471	1090472	1090473	1090474	1090475
1090476	1090477	1090478	1090479	1090480	1090481	1090482	1090483	1090484	1090485	1090486	1090487	1090488	1090489
1090490	1090491	1091800	1091801	1091802	1091803	1091804	1091805	1091806	1091807	1091808	1091809	1091810	1091811
1091812	1091813	1091814	1091815	1091816	1091817	1091818	1091819	1091820	1091821	1091822	1091823	1091824	1091825
1091826	1091827	1091828	1091829	1091830	1091831	1091832	1091833	1091834	1091835	1091836	1091837	1091838	1091839
1091840	1091841	1091842	1091843	1091844	1091845	1091846	1091847	1091848	1091849				

003 ©

1	04255006	1	small cap
2	01160962	1	'o' ring H 2927 -82X4-NBR-1-70
3	01181431	1	screw EN 1662 -F-M8X50-10.9-ZNAL-A
4	01181437	3	screw EN 1662 -F-M8X45-10.9-ZNAL-A



**P.T.O. - CLUTCH TRANSMISSION SHAFT - FOR TYPES WITHOUT POWERSHUTTLE**

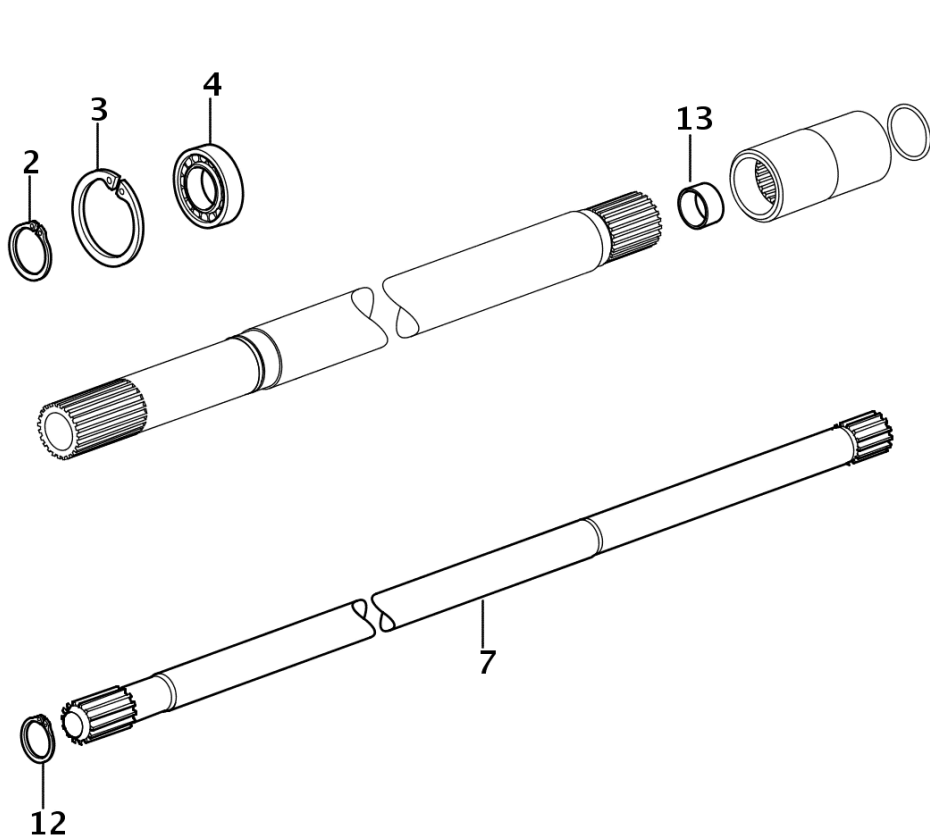


Fig.	Code	QTY	Name
2	2.1410.016.1	1	circlip 40
3	2.1411.027.1	1	circlip 68
4	2.2999.306.0/10	1	bearing 40x68x15
5	2.1519.086.0	1	'o' ring 25x33x6
7	0.010.7190.3	1	shaft
12	2.1410.009.1	1	circlip 24
13	2.1555.214.0	1	bushing 25 x 28 x 15

9\_77825\_00\_0\_0

Section: FRONT AND REAR P.T.O.  
**4 SPEED P.T.O.**

9\_77836\_00\_0\_B

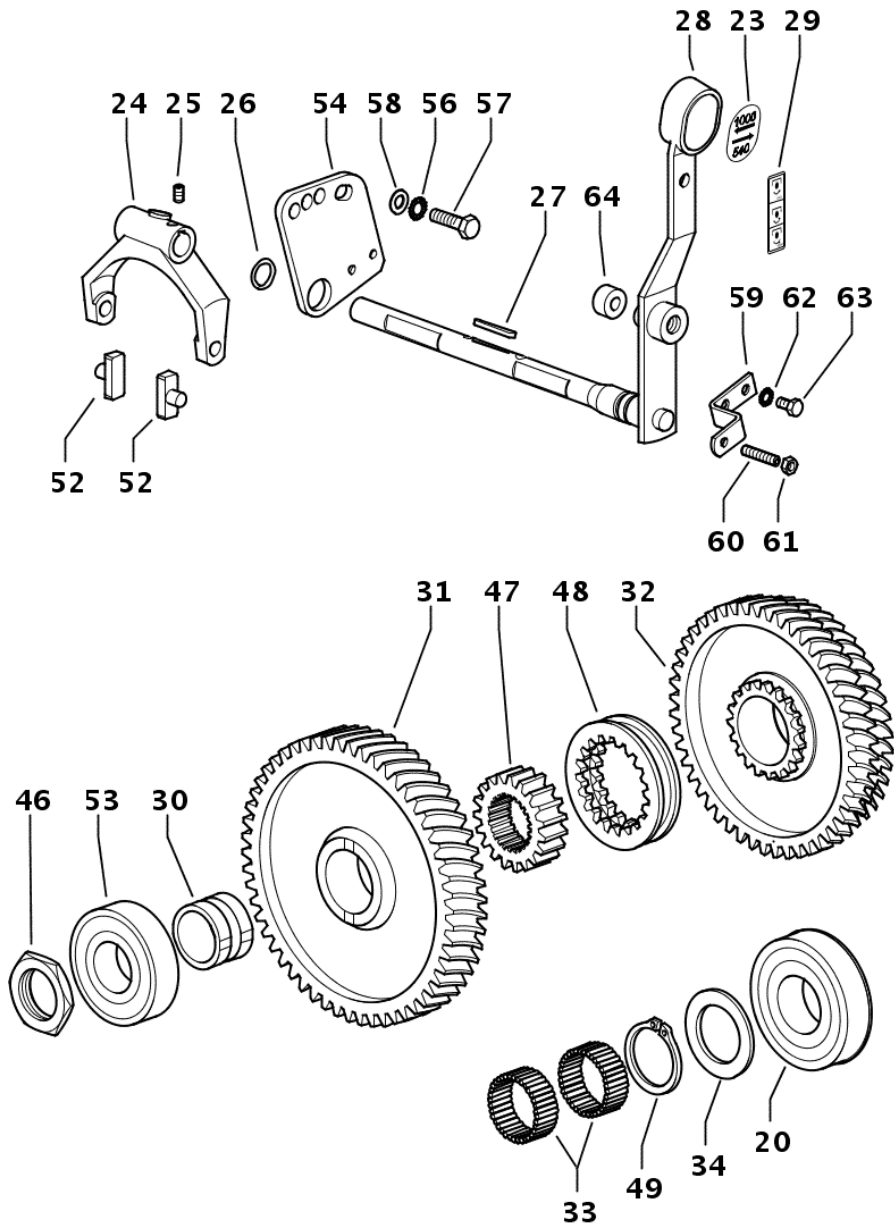


Fig.	Code	QTY	Name
20	2.2062.012.0	2	ball bearing 40 x 90 x 23
23	0.007.3555.0	1	plate
24	0.007.3487.0	1	fork
25	2.0512.109.7	1	screw
26	2.1530.038.0	1	'o' ring 15.54x2.62
27	2.1711.011.0	1	dowel 5x3x36
28	0.011.0630.3/10	1	lever
29	2.9929.704.0	1	plate
30	0.007.3471.0/10	1	bushing
31	0.010.5366.0/10	1	gear Z = 54
32	0.009.6904.0	1	gear z = 48 - z = 43 1995 <- X Agroplus 75 3448 <- X Agroplus 85 2096 <- X Agroplus 95
32	0.009.6904.0/20	1	gear z = 48 - z = 43 -> 1996 X Agroplus 75 -> 3449 X Agroplus 85 -> 2097 X Agroplus 95
33	2.2770.073.0	2	roller cage 40x47x18
34	2.1599.567.0	1	thrust plate 40.1x48x2 1995 <- X Agroplus 75 3448 <- X Agroplus 85 2096 <- X Agroplus 95
34	0.255.3450.0	1	snoulder 40 x 60 x 3.5 -> 1996 X Agroplus 75 -> 3449 X Agroplus 85 -> 2097 X Agroplus 95
46	0.255.3661.0	1	ring nut m 35x1.5
47	0.255.3455.0	1	hub Z = 19 1995 <- X Agroplus 75 3448 <- X Agroplus 85 2096 <- X Agroplus 95
47	0.013.1306.0	1	hub Z = 19 -> 1996 X Agroplus 75 -> 3449 X Agroplus 85 -> 2097 X Agroplus 95
48	0.255.3438.0/20	1	sleeve Z = 19
49	2.1499.034.1	1	circlip 40 x 1.75 1995 <- X Agroplus 75 3448 <- X Agroplus 85 2096 <- X Agroplus 95
49	2.1412.015.7	1	circlip 40x2.5 -> 1996 X Agroplus 75 -> 3449 X Agroplus 85

**P.T.O. - SYNCHRONIZED - WITH WATERPROOF SEALS**

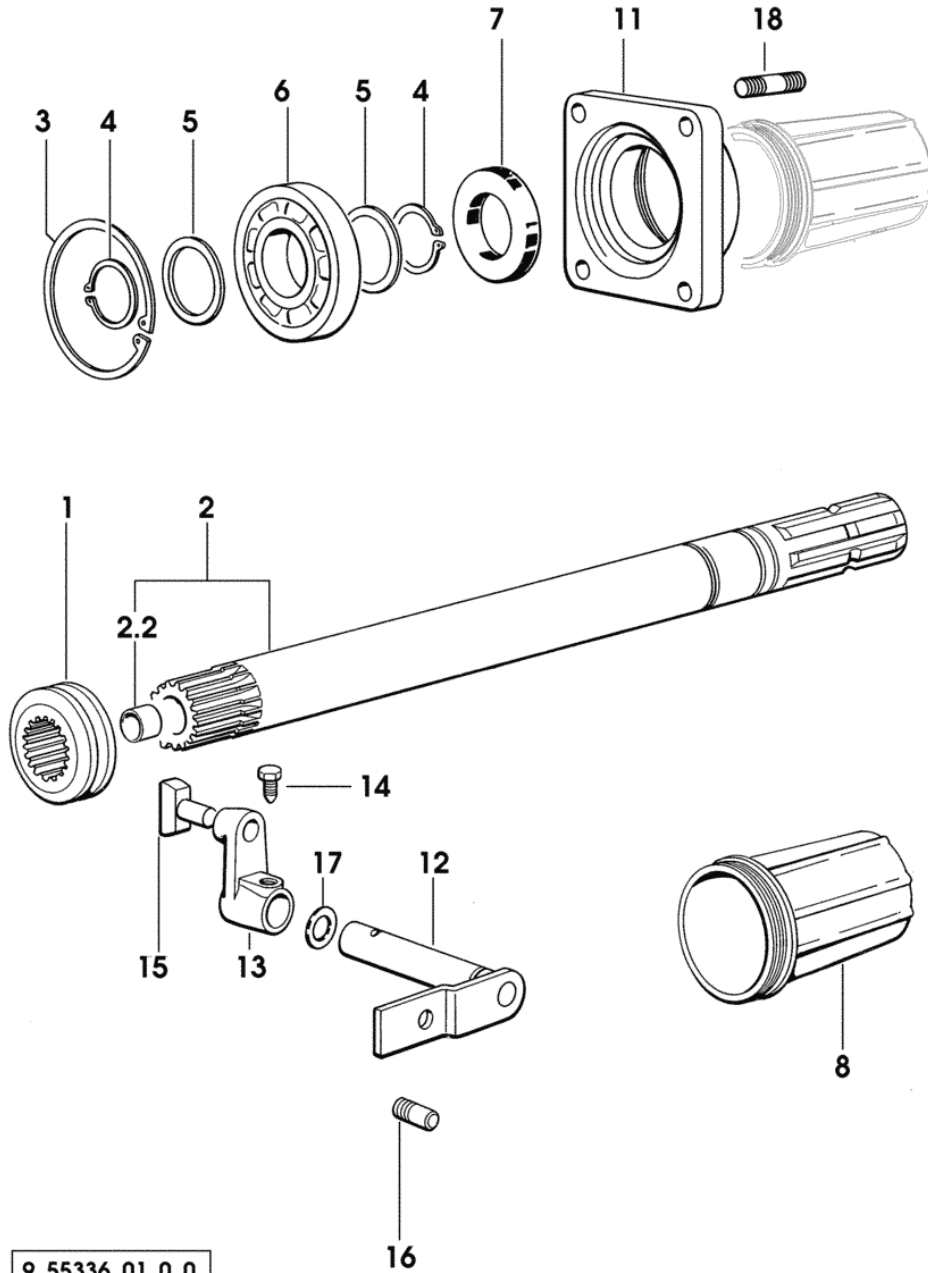


Fig.	Code	QTY	Name
1	0.255.3469.0	1	sleeve
2	0.445.3458.3/30	1	p.t.o.shaft mm 578
2.2	2.1559.023.0	1	bushing 16x18x20
3	2.1411.032.1	1	circlip 80 x 2.5
4	2.1410.014.1	2	circlip 35
5	2.1599.421.0	2	snoulder 35 x 45 x 3.0
6	2.2060.011.0	1	ball bearing 35 x 80 x 21
7	2.1529.107.0	1	'o' ring
8	0.154.3655.0/10	1	guard
11	0.255.3150.0/10	1	cover
12	0.255.3468.2/10	1	lever
13	0.255.3470.0	1	lever
14	2.0399.019.1	1	screw m 8 p.1 x 16
15	0.001.5945.0/10	1	shoe
16	2.0439.002.1	2	stud bolt m 8 p.1.25 x 20
17	2.1530.033.0	1	'o' ring 13.10x2.62
18	2.0432.155.7	4	stud bolt m 10 p.1.5 / p. 1.25 x 25

9\_55336\_01\_0\_0

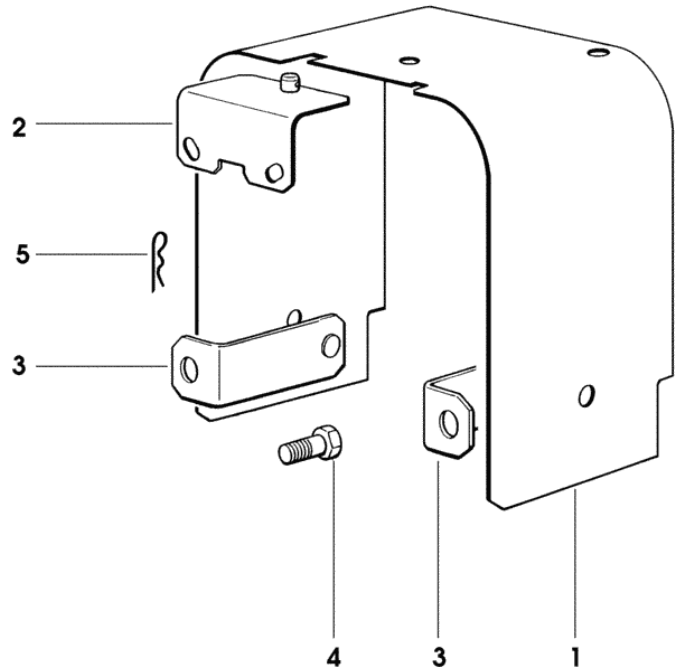
**P.T.O. SHAFT PROTECTOR REAR EXPORT GB**

Fig.	Code	QTY	Name
------	------	-----	------

**Notes:**

1039 <- X Agroplus 75    1030 <- X Agroplus 85    1022 <- X Agroplus 95    1027 <- X Agroplus 100

1	0.445.3650.0/50	1	small sump
2	0.255.3668.2/20	1	square
3	0.255.3669.2	2	square
4	2.0112.609.2	2	screw m 16 p.2 x 25
5	2.1699.180.2	2	pin



Section: FRONT AXEL

**JUNCTION CASE - FOR TYPES WITHOUT POWERSHUTTLE**

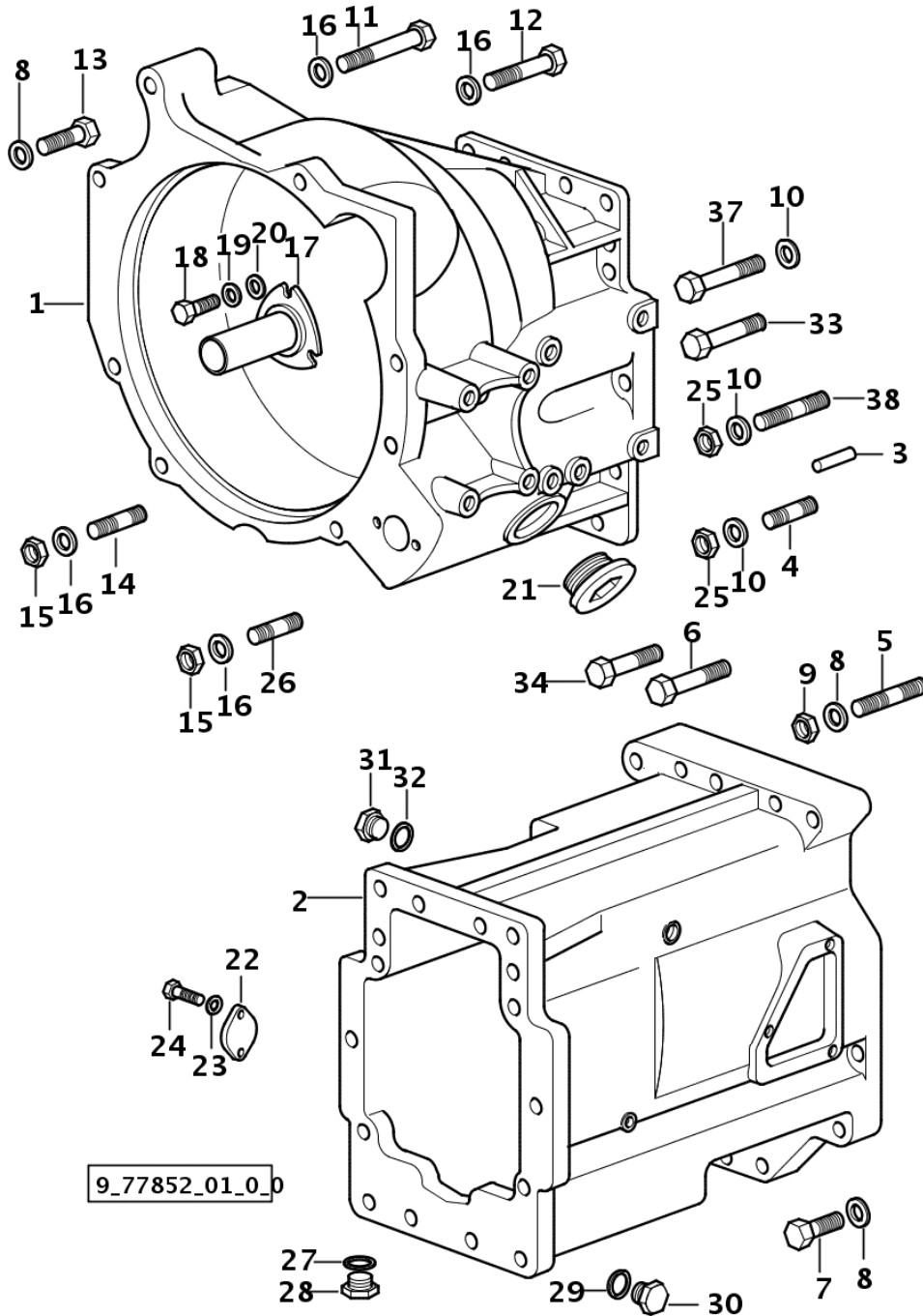
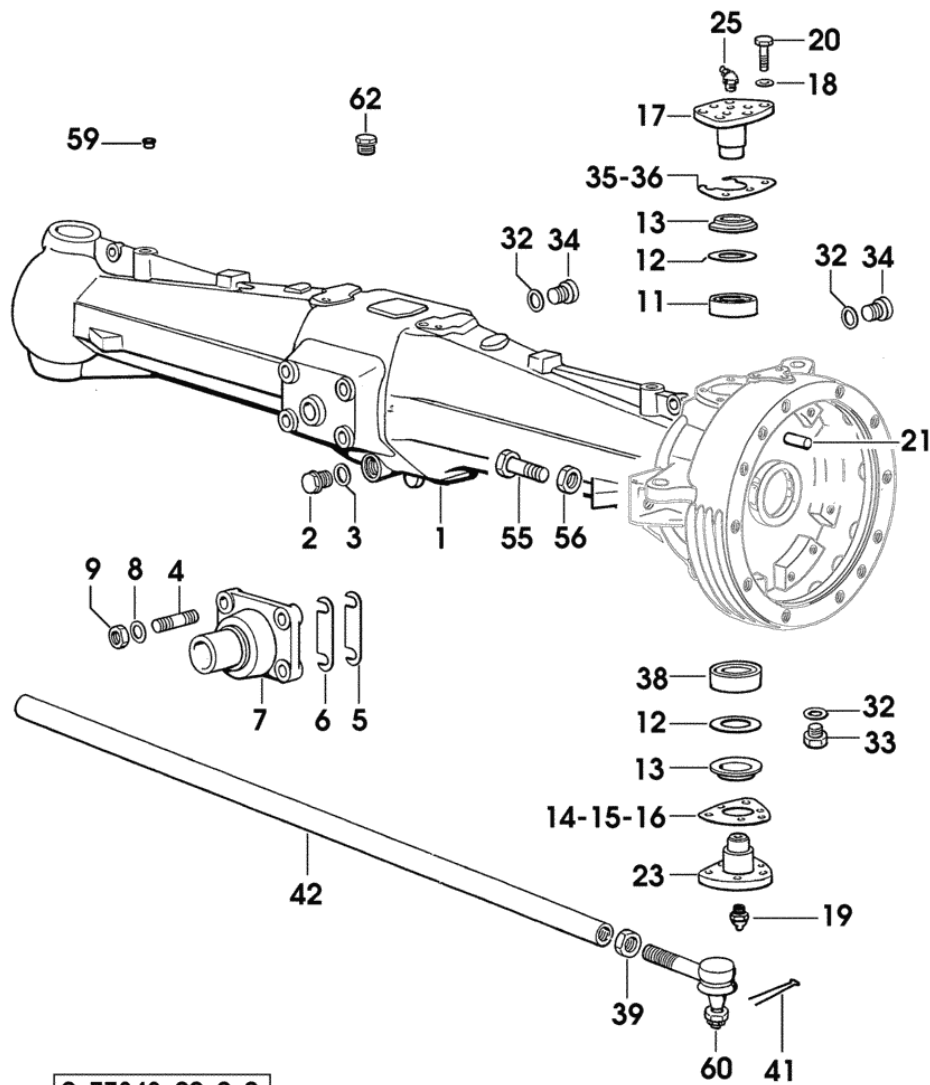


Fig.	Code	QTY	Name
1	0.010.5473.0/50	1	clutch housing 1951 <- X Agroplus 75 3233 <- X Agroplus 85 1979 <- X Agroplus 95 1967 <- X Agroplus 100
1	0.010.5473.0/60	1	clutch housing -> 1952 X Agroplus 75 -> 3234 X Agroplus 85 -> 1980 X Agroplus 95 -> 1968 X Agroplus 100
2	0.011.8605.0/10	1	clutch housing
3	2.1651.911.0	2	cylindrical plug 12 x 24
4	2.0112.519.2	6	screw m 14 p.2x50 1272 <- X Agroplus 75 1286 <- X Agroplus 85 1196 <- X Agroplus 95 1174 <- X Agroplus 100
4	2.0422.511.7	2	stud bolt m14 x 40 -> 1273 X Agroplus 75 -> 1287 X Agroplus 85 -> 1197 X Agroplus 95 -> 1175 X Agroplus 100
5	2.0432.272.7	1	stud bolt m 12 p.1.75-1.25x85
6	2.0112.427.2	7	screw m 12 p.1.75 x 90
7	2.0112.421.2	4	screw m 12 p.1.75 x 60
8	2.1475.004.2	15	washer 12
9	2.1011.422.2	1	nut m 12 p.1.25
10	2.1475.005.2	14	washer 14
11	2.0113.637.2	1	screw m 16 p.2x140
12	2.0113.629.2	1	screw m 16 p.2x100
13	2.0113.431.2	2	screw m 12 p.1.75 x 110
14	2.0433.425.7	2	stud bolt m 16 p.1.5 x 100
15	2.1011.409.2	4	nut m 16 p.1.5
16	2.1475.006.2	6	washer 16
17	0.255.5220.2/20	1	flange
18	2.0112.207.2	3	screw m 8 p 1.25 x 20
19	2.1310.004.2	3	flat washer 8.5
20	2.1470.004.2	3	washer 8
21	2.3199.002.2	1	plug 1 gas
22	0.010.5124.0	1	small plate
23	2.1470.006.2	2	lock washer 10
24	2.0112.307.2	2	screw m 10 p.1.5 x 20
25	2.1011.408.2	2	nut m 14 p.1.5 1272 <- X Agroplus 75

Section: FRONT AXEL  
4WD - FRONT DRIVE AXLE

Fig.	Code	QTY	Name
1	0.010.6083.0/30	1	front axle 1615 <- X Agroplus 75 2053 <- X Agroplus 85 1588 <- X Agroplus 95 1590 <- X Agroplus 100
1	0.010.6083.0/50	1	front axle -> 1616 X Agroplus 75 -> 2054 X Agroplus 85 -> 1589 X Agroplus 95 -> 1591 X Agroplus 100
2	2.3199.021.2	1	plug 1/2" gas
3	2.1560.054.0	1	gasket 21 x 26
4	2.0433.309.7	4	stud bolt m 14 p.1.5x35
5	2.1379.004.0/10	4	small plate 15x15x62x1.5
6	2.1379.003.0/10	4	small plate 15x15x62x0.12
7	0.010.4724.3	1	pin 1997 <- X Agroplus 75 (...) <- X Agroplus 85 2119 <- X Agroplus 95 2067 <- X Agroplus 100
7	0.010.4724.0/10	1	pin -> 1998 X Agroplus 75 -> (...) X Agroplus 85 -> 2120 X Agroplus 95 -> 2068 X Agroplus 100
8	2.1475.005.2	4	washer 14
9	2.1011.308.2	4	nut m 14 p.1.5
11	2.2530.007.0	1	roller bearing 30x72x20.75
12	2.1599.260.0	4	snoulder 43x71x1
13	2.1519.045.0	4	'o' ring 41x73x9
14	0.463.4351.0	8	shim mm 0.50
15	0.463.4350.0	8	shim mm 0.20
16	0.463.4352.0	8	shim mm 0.15
17	0.255.4335.0/10	1	pin
18	2.1470.007.2	9	lock washer 12
19	2.3820.105.2	2	lubricator m 10 p.1 x 7
20	2.0112.411.2	9	screw m 12 p.1.75 x 30
21	2.1651.811.0	4	cylindrical plug 10x24
23	0.169.4337.0/10	2	pin
25	2.3821.103.2	1	lubricator m 10 p.1 1898 <- X Agroplus 75 2955 <- X Agroplus 85 1847 <- X Agroplus 95 1863 <- X Agroplus 100



9\_77843\_00\_0\_0

Section: FRONT AXEL  
**2WD - FRONT BRAKING SYSTEM**

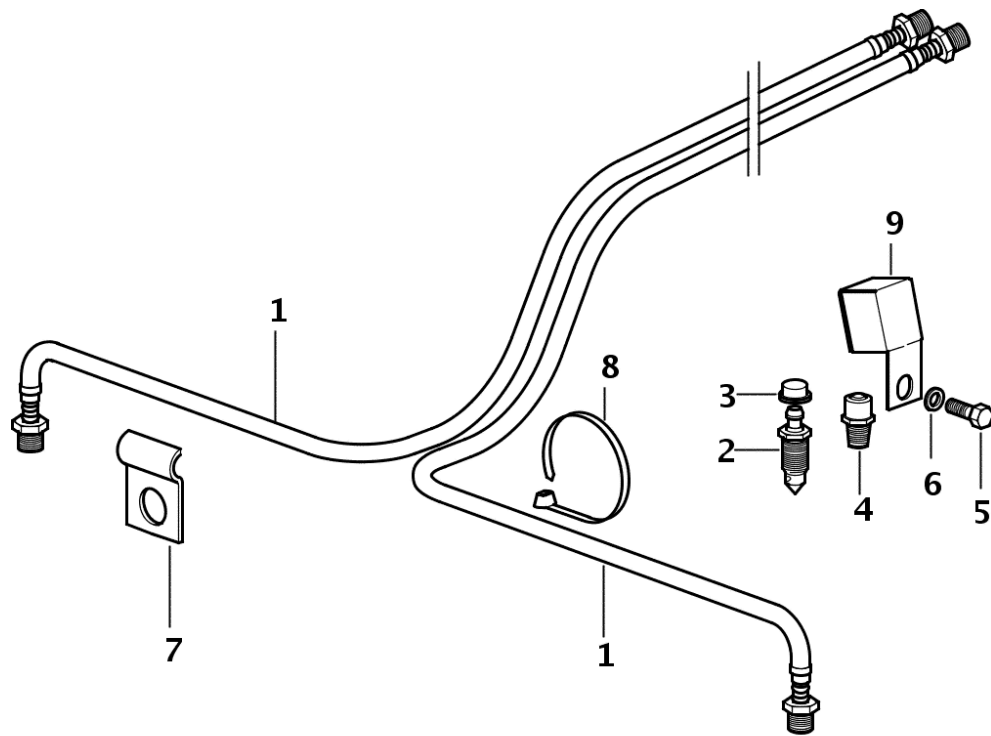


Fig.	Code	QTY	Name
1	0.011.1299.3	2	tube
2	0.170.5455.0	2	valve
3	2.3199.039.0	2	plug 6.50 x 7.25
4	0.135.4363.3/10	2	valve
5	2.0112.203.2	2	screw m 8 p.1.25 x 12
6	2.1310.004.2	2	flat washer 8.5
7	0.010.1309.0	2	small plate
8	0.98503.67.0	2	clamp
9	0.009.8818.0	2	guard

9\_77866\_06\_0\_0

Section: FRONT AXEL  
**4WD - AXLESHAFTS - FOR TYPES WITHOUT "ASM SYSTEM"**

9\_77846\_00\_0\_B

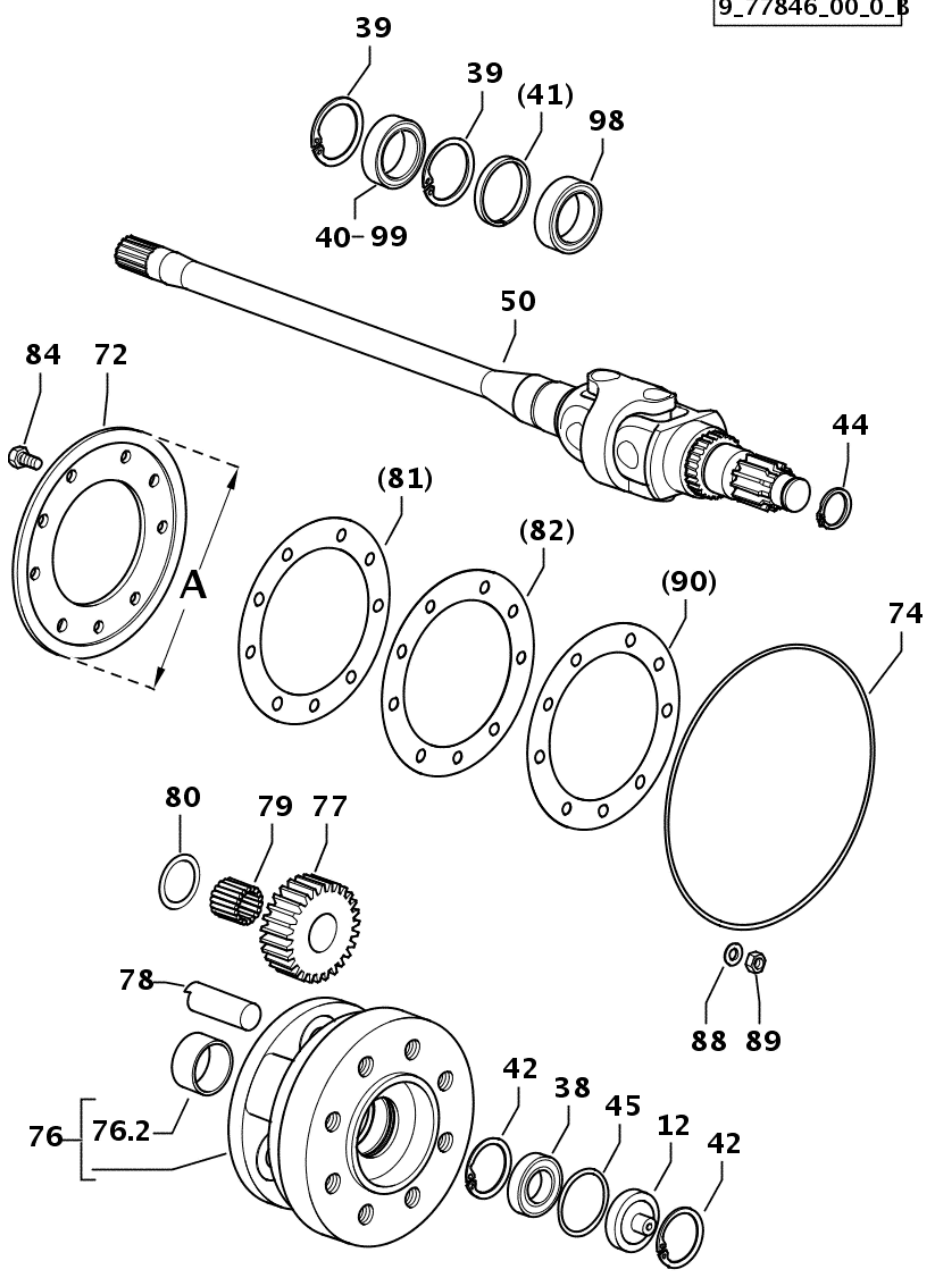
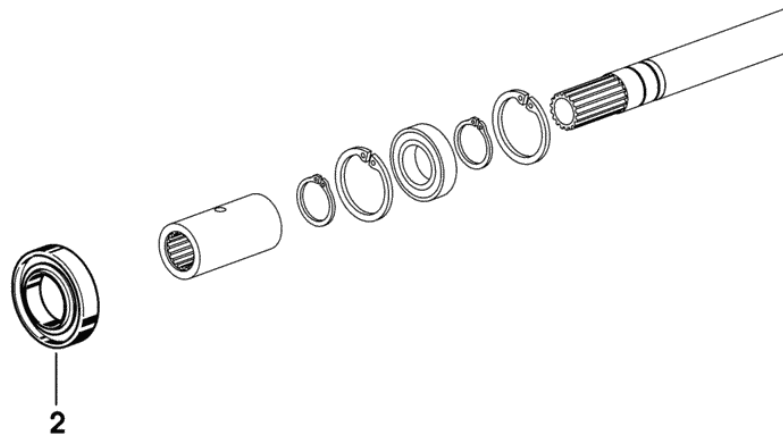


Fig.	Code	QTY	Name
12	0.275.4653.0	2	small cover
38	2.2030.007.0	2	ball bearing 30x55x13
39	2.1411.025.1	4	circlip 62
40	2.2999.164.0	2	bearing 38x62x25 1316 <- X Agroplus 75 1491 <- X Agroplus 85 1366 <- X Agroplus 95 1310 <- X Agroplus 100
40	2.2999.415.0	1	bearing 43.8 x 62 x 17 -> 1317 X Agroplus 75 -> 1492 X Agroplus 85 -> 1367 X Agroplus 95 -> 1311 X Agroplus 100
41	2.1579.731.0	2	spacer 56x62x7 1615 <- X Agroplus 75 2053 <- X Agroplus 85 1588 <- X Agroplus 95 1590 <- X Agroplus 100
42	2.1411.022.1	4	circlip 55
44	2.1499.528.1	2	circlip 30
45	2.1530.134.0	2	'o' ring 53.98x3.53
50	0.010.5413.4/10	2	half-shaft COMPONENT PARTS SEE COMPONENTS LIST ☞ 0.010.5413.4/10 ☞ 04.00.22
72	0.275.4650.0	2	flange (...) <- X Agroplus 75 (...) <- X Agroplus 85 (...) <- X Agroplus 95 (...) <- X Agroplus 100 A = 205mm
72	0.275.4650.0/10	2	flange -> (...) X Agroplus 75 -> (...) X Agroplus 85 -> (...) X Agroplus 95 -> (...) X Agroplus 100 A = 210mm
74	2.1530.308.0	2	'o' ring 253.6x3.53
76	0.275.4642.3/40	2	spider
76.2	2.1559.067.0	1	bushing 44.1x50.1x25
77	0.255.4644.0/20	6	planet gear z=27
78	0.198.4643.0	6	pin
79	2.2999.002.0	6	roller cage 25x35x30

1/1

**4WD - TRANSMISSION SHAFT - WITH WATERPROOF SEALS**

Fig.	Code	QTY	Name
2	2.1529.106.0/10	1	'o' ring 30x55x12



9\_77826\_02\_0\_0

**FRONT LIFT - HYDRAULIC SYSTEM - FOR MODELS WITHOUT FRONT P.T.O.**

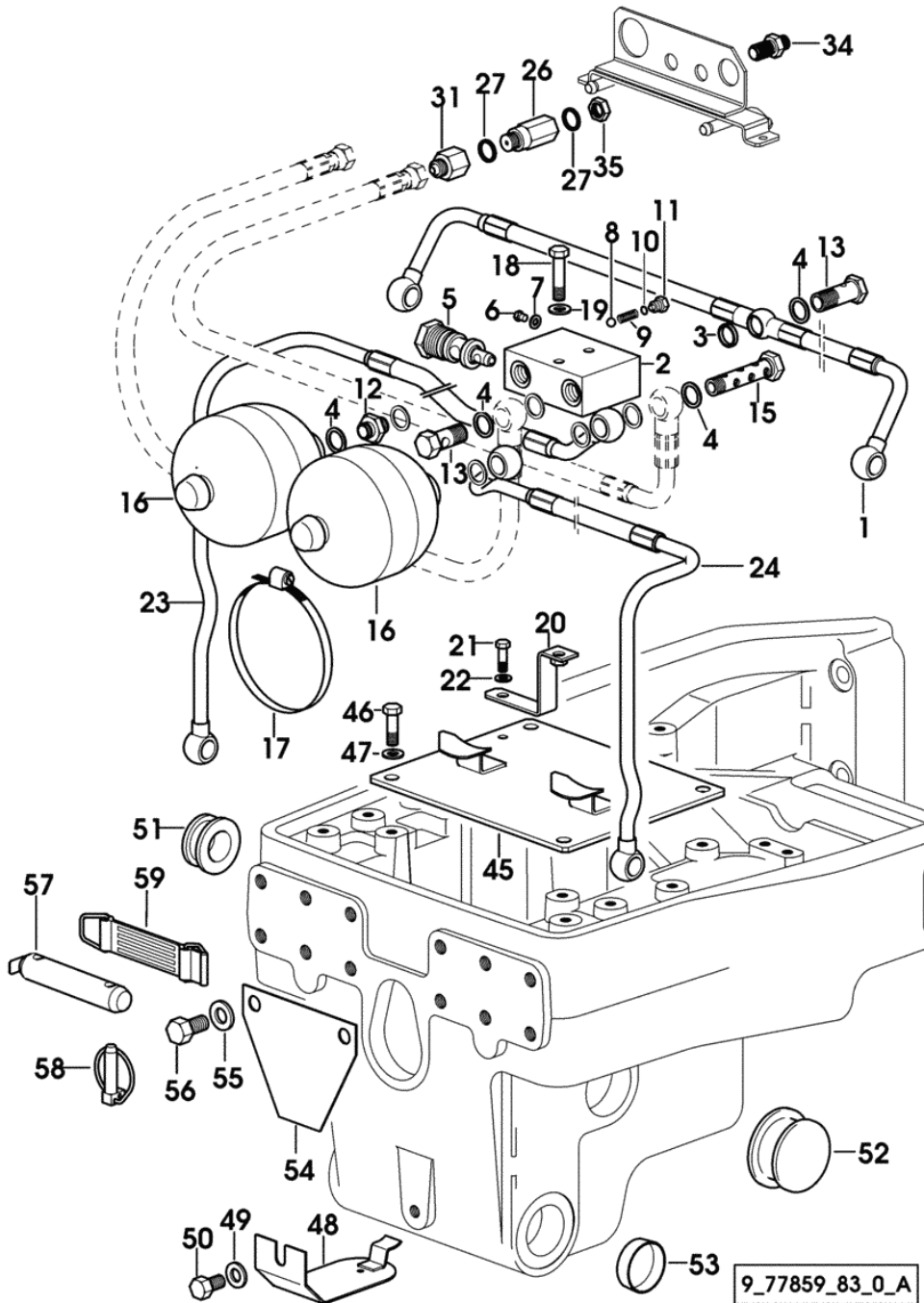


Fig.	Code	QTY	Name
24	0.011.0610.3/10	1	tube sx/lh/li 1277 <- X Agroplus 75 1430 <- X Agroplus 85 1323 <- X Agroplus 95 1266 <- X Agroplus 100
24	0.011.0610.3/20	1	tube sx/lh/li -> 1278 X Agroplus 75 -> 1431 X Agroplus 85 -> 1324 X Agroplus 95 -> 1267 X Agroplus 100
26	0.009.3152.3/10	1	valve
27	2.1560.053.0	8	gasket 17 x 21
31	2.3339.819.2	1	pipe fitting
34	2.3339.612.2/10	3	pipe fitting
35	2.1019.093.2	3	nut 1/2 - 20 UNF-2B
45	0.010.9946.3	1	support
46	2.0112.419.2	4	screw m 12 p.1.75 x 50
47	2.1470.007.2	4	lock washer 12
48	0.011.0753.2	1	plug
49	2.1310.007.2	1	flat washer 13.5
50	2.0112.407.2	1	screw m 12 p.1.75 x 20
51	0.010.4072.0	1	plug 40
52	0.011.0754.0	1	plug 60
53	2.3171.019.4	2	plug 50
54	0.010.4129.0	1	plug
55	2.1310.009.2	2	flat washer 14
56	2.0112.509.2	2	screw m 14 p.1.5x25
57	0.011.4527.3	1	pin
58	0.010.9322.4	2	pin Ø 11
59	0.008.8133.2/10	1	rod

GEAR CHANGE BOX 5 SPEED - FOR POWERSHIFT TYPES.....	02.00.46
GEAR CHANGE BOX 5 SPEED - FOR POWERSHIFT TYPES.....	02.00.47
GEAR CHANGE BOX 5 SPEED - FOR POWERSHIFT TYPES.....	02.00.48
GEAR CHANGE BOX 5 SPEED - FOR POWERSHIFT TYPES.....	02.00.49
HYDRAULIC SHUTTLE.....	02.00.75
HYDRAULIC SHUTTLE.....	02.00.76
HYDRAULIC SHUTTLE.....	02.00.77
HYDRAULIC SHUTTLE.....	02.00.78
HYDRAULIC SHUTTLE.....	02.00.79
REVERSING GEAR UNIT CONTROLS - FOR TYPES WITHOUT POWERSHIFT.....	02.00.80
REVERSING GEAR UNIT CONTROLS - FOR POWERSHIFT TYPES.....	02.00.81
SPEED RANGE REDUCTION GEAR SHAFT - FOR TYPES WITHOUT "ASM SYSTEM".....	02.00.82
SPEED RANGE REDUCTION GEAR SHAFT - FOR TYPES WITHOUT "ASM SYSTEM".....	02.00.83
SPEED RANGE REDUCTION GEAR SHAFT - FOR TYPES WITH "ASM SYSTEM".....	02.00.84
BEARING FOR RANGE GEARBOX SHAFT.....	02.00.85
SPEED RANGE REDUCTION GEAR UNIT.....	02.00.87
SPEED RANGE REDUCTION GEAR UNIT.....	02.00.88
SPEED RANGE REDUCTION GEAR UNIT.....	02.00.89
SPEED RANGE REDUCTION GEAR UNIT.....	02.00.90
COMPLETION FOR 3 SPEED RANGE REDUCTION GEAR UNIT.....	02.00.95
COMPLETION FOR 3 SPEED RANGE REDUCTION GEAR UNIT.....	02.00.96
COMPLETION FOR 3 SPEED RANGE REDUCTION GEAR UNIT.....	02.00.97
COMPLETION FOR 4 SPEED RANGE REDUCTION GEAR UNIT.....	02.00.98
COMPLETION FOR 4 SPEED RANGE REDUCTION GEAR UNIT.....	02.00.99
COMPLETION FOR 4 SPEED RANGE REDUCTION GEAR UNIT.....	02.00.100
GEARSHIFT LEVER - FOR TYPES WITHOUT POWERSHUTTLE.....	02.00.101
GEARSHIFT LEVER - FOR TYPES WITHOUT POWERSHUTTLE.....	02.00.102
GEARSHIFT LEVER - FOR TYPES WITH POWERSHUTTLE.....	02.00.103
GEARSHIFT LEVER - FOR TYPES WITH POWERSHUTTLE.....	02.00.104
TRANSMISSION CONTROL LEVERS - FOR TYPES WITHOUT POWERSHUTTLE.....	02.00.105
TRANSMISSION CONTROL LEVERS - FOR TYPES WITH POWERSHUTTLE.....	02.00.106
DRIVE.....	02.00.107
KNOB FOR 5-SPEED GEARBOX.....	02.00.108
KNOB FOR 5-SPEED GEARBOX - FOR POWERSHIFT TYPES.....	02.00.109
KNOB FOR 5-SPEED GEARBOX - FOR TYPES WITH POWERSHUTTLE.....	02.00.110
KNOB FOR 5-SPEED GEARBOX - FOR TYPES WITH POWERSHIFT + POWERSHUTTLE.....	02.00.111
KNOB FOR MECHANICAL SHUTTLE.....	02.00.112
KNOB FOR MECHANICAL SHUTTLE - FOR SYNCHROPLIT TYPES.....	02.00.113
KNOB FOR 3-RANGE GEARBOX.....	02.00.114
KNOB FOR 4-SPEED RANGE GEARBOX.....	02.00.115
DIFFERENTIAL - FOR TYPES WITHOUT "ASM SYSTEM".....	02.00.116
DIFFERENTIAL LOCK CONTROL - ELECTROHYDRAUDLIC.....	02.00.117
DIFFERENTIAL - FOR TYPES WITH "ASM SYSTEM".....	02.00.119
DIFFERENTIAL LOCK.....	02.00.120

Section: GEAR

**GEARBOX - FOR TYPES WITHOUT POWERSHUTTLE**

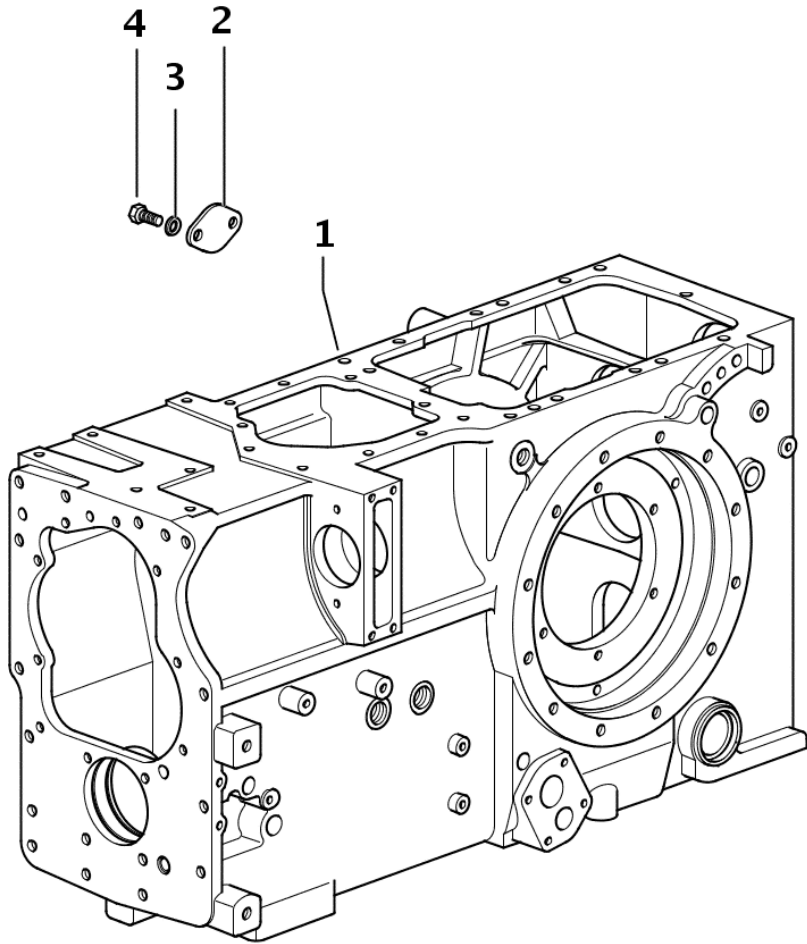


Fig.	Code	QTY	Name
------	------	-----	------

**Notes:**

- WITH ELECTRONIC LIFT

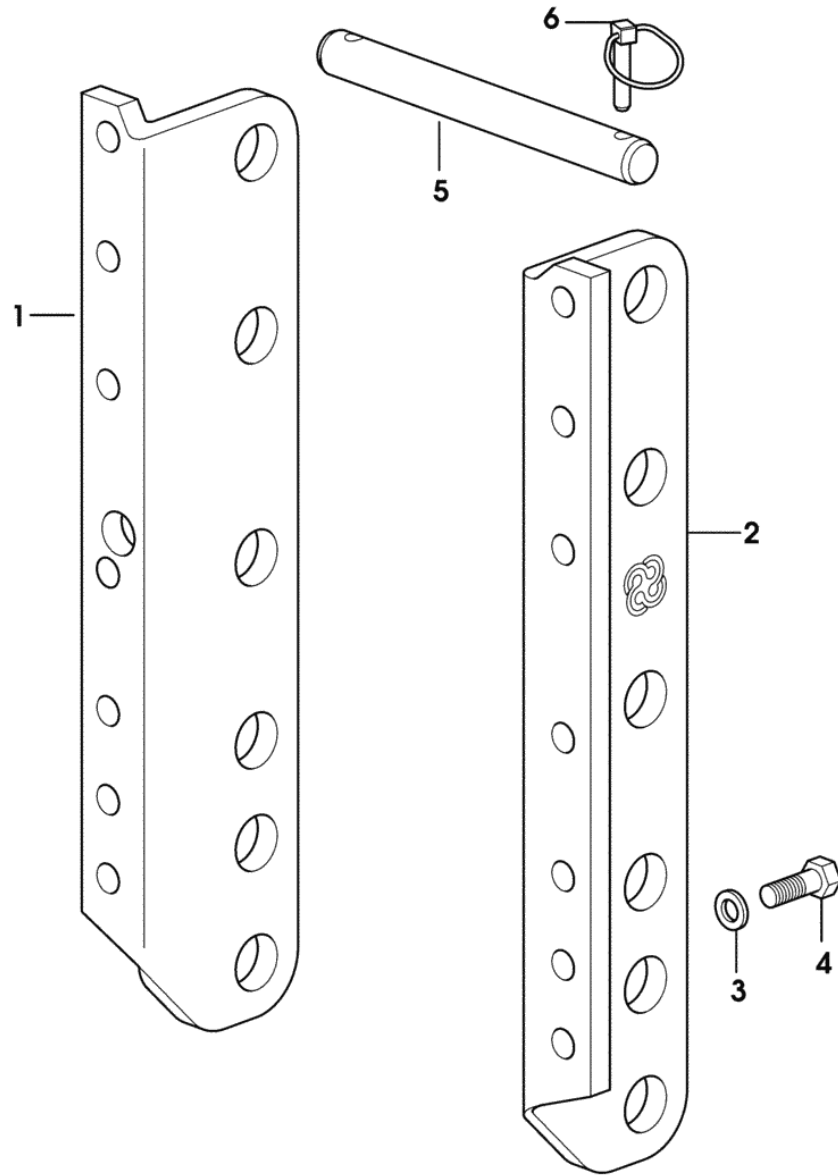
1	0.010.7938.0/30	1	gear box 2026 <- X Agroplus 75 3730 <- X Agroplus 85 2257 <- X Agroplus 95
1	0.010.7938.0/50	1	gear box -> 2027 X Agroplus 75 -> 3731 X Agroplus 85 -> 2258 X Agroplus 95
2	0.010.5124.0	1	small plate -> 2027 X Agroplus 75 -> 3731 X Agroplus 85 -> 2258 X Agroplus 95
3	2.1470.006.2	2	lock washer 10 -> 2027 X Agroplus 75 -> 3731 X Agroplus 85 -> 2258 X Agroplus 95
4	2.0112.307.2	2	screw m 10 p.1.5 x 20 -> 2027 X Agroplus 75 -> 3731 X Agroplus 85 -> 2258 X Agroplus 95

9\_77831\_01\_0\_0

Section: GEAR

**REAR GEARBOX BRACKETS**

Fig.	Code	QTY	Name
1	0.011.0737.0	1	bracket dx/rh/re
2	0.011.0740.0	1	bracket sx/lh/li
3	2.1499.019.6	14	washer 16.3 x 31.5
4	2.0112.615.2	14	screw m 16 p.2 x 40
5	2.1669.055.2	2	pin 32x252
6	0.010.9322.4	4	pin Ø 11



9\_77831\_50\_0\_0

Section: GEAR

**GEAR CHANGE BOX 5 SPEED - FOR TYPES WITHOUT POWERSHIFT**

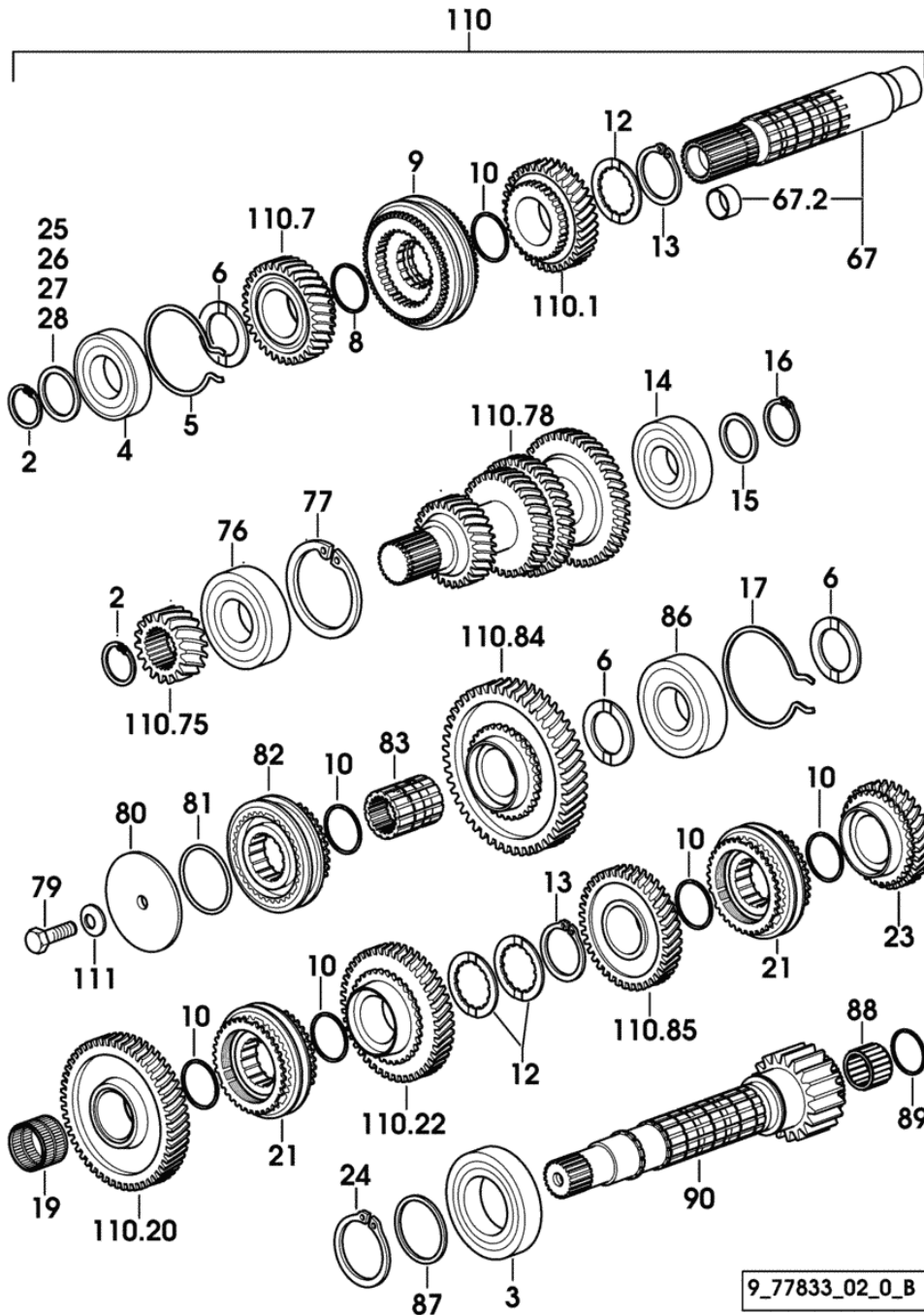


Fig.	Code	QTY	Name
			☞ 0.007.7647.4
			☞ 02.00.6
83	0.255.3368.0/10	1	bushing
86	2.2063.012.0	1	ball bearing 40 x 90 x 23
87	2.1599.422.0	1	snoulder 44
88	2.2999.282.0	1	roller cage 28 x 38 x 25.5
89	2.1423.028.7	1	circlip 38x1.5
90	0.010.0886.0	1	reduction shaft
			1011 <- X Agroplus 75
			1009 <- X Agroplus 85
			1009 <- X Agroplus 95
90	0.010.9180.0	1	countershaft
			-> 1012 X Agroplus 75
			-> 1010 X Agroplus 85
			-> 1010 X Agroplus 95
110	0.000.0000.1	0	not serviceable
110.1	0.009.9595.0/10	1	gear Z = 37
110.7	0.009.9594.0	1	gear Z = 34
110.20	0.445.3358.0/20	1	gear Z = 54
110.22	0.010.0006.0/20	1	gear Z = 46
110.75	0.255.3366.0	1	gear Z = 18
110.78	0.009.7559.0	1	main shaft
110.84	0.007.7986.3/10	1	gear Z = 48
110.85	0.445.3360.0/10	1	gear z = 40
111	2.1475.004.2	1	washer 12

9\_77833\_02\_0\_B

Section: GEAR

**GEAR CHANGE BOX 5 SPEED - FOR TYPES WITHOUT POWERSHIFT**

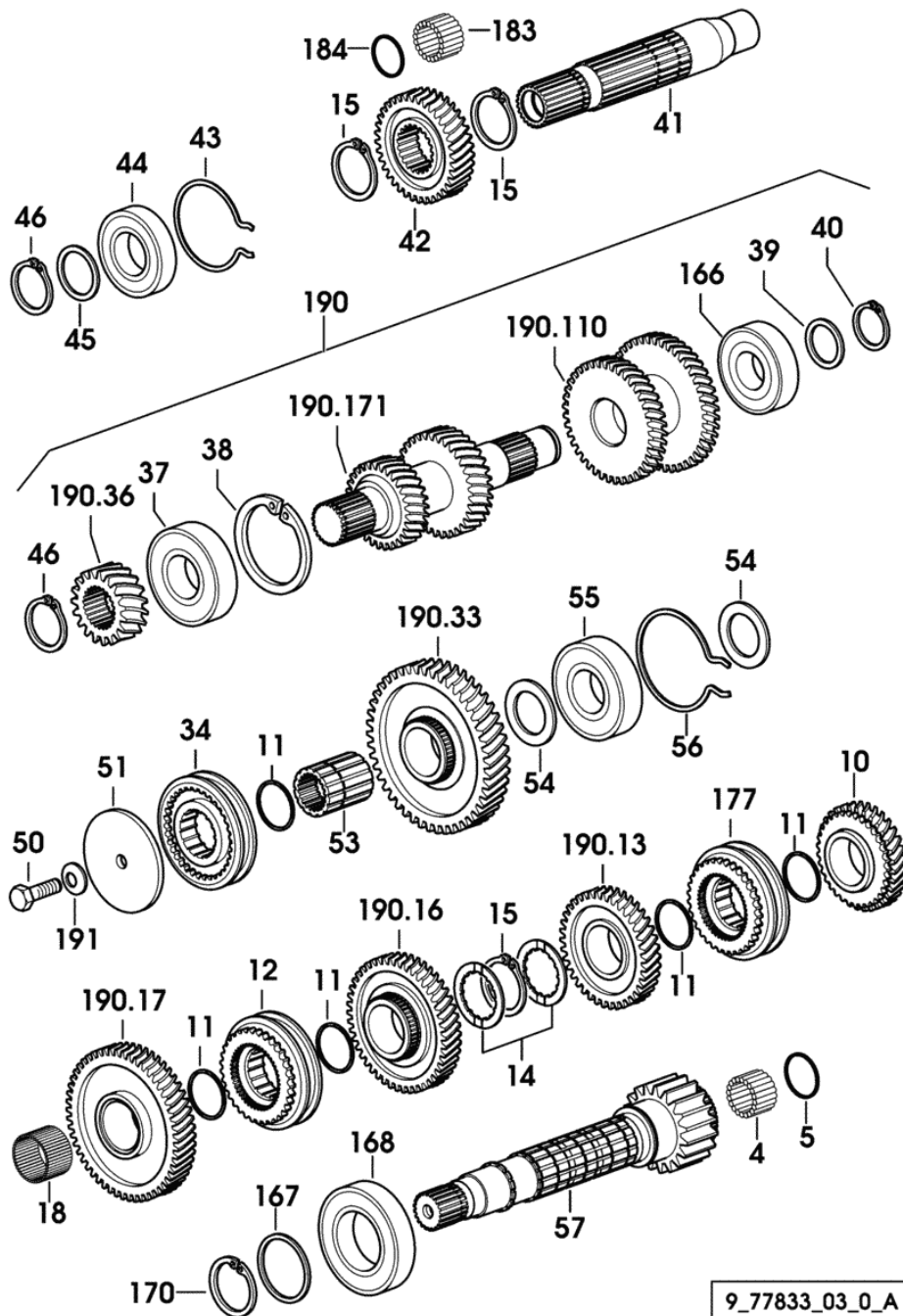


Fig.	Code	QTY	Name
			0.010.8863.4
			02.00.9
183	2.2770.182.0	1	roller cage 25x29x13
184	2.1423.020.7	1	circlip 29
190	0.000.0000.1	0	not serviceable
190.13	0.011.3886.0/10	1	gear Z = 38
190.16	0.010.9396.0/10	1	gear Z = 46
190.17	0.010.9395.0/10	1	gear Z = 54
190.33	0.011.3868.0/10	1	gear Z = 46
190.36	0.011.3867.0	1	gear Z = 19
190.110	0.011.3865.0	1	gear Z = 40 / Z = 44
190.171	0.009.9599.0/20	1	main shaft z=30 z=34
191	2.1475.004.2	1	washer 12

9\_77833\_03\_0\_A

**GEAR CHANGE BOX 5 SPEED - FOR POWERSHIFT TYPES**

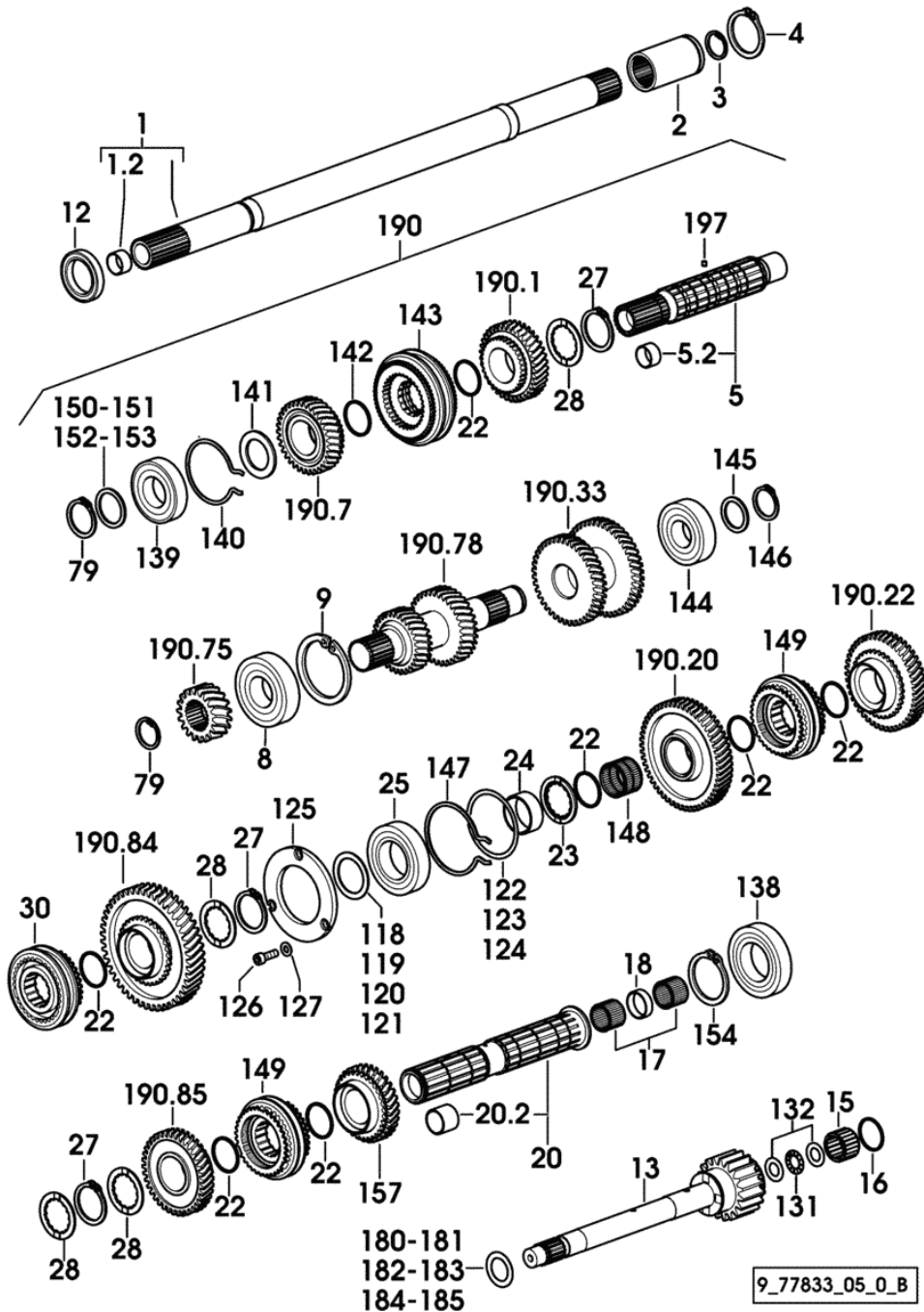


Fig.	Code	QTY	Name
122	2.1580.304.0	1	shim 78x89x0.5
123	2.1580.303.0	1	shim 78x89x0.2
124	2.1580.310.0	1	shim 78x89x0.05
125	0.007.7308.0	1	small cover
126	2.0312.208.2	3	screw m 8 p.1.25 x 25
127	2.1480.014.1	3	washer 8
131	0.008.4356.0	1	roller cage
132	2.1599.574.0	2	thrust plate 17x30x1
138	2.2999.125.0	1	bearing 55 x 100 x 21
139	2.2042.012.0	1	ball bearing 40 x 80 x 18
140	2.1499.052.1/10	1	circlip 80
141	0.255.3450.0	1	snooulder 40 x 60 x 3.5
142	2.1499.152.7	1	circlip 41 x 1.8
143	0.008.9994.4/20	1	lock synchronizer mm 82 COMPONENT PARTS SEE COMPONENTS LIST ☞ 0.008.9994.4/20 ☞ 02.00.4
144	2.2060.011.0	1	ball bearing 35 x 80 x 21
145	2.1599.421.0	1	snooulder 35 x 45 x 3.0
146	2.1410.014.1	1	circlip 35
147	2.1499.037.1	2	circlip 90
148	2.2999.218.0	1	roller cage 40 x 45 x 30
149	0.007.7646.4	2	lock synchronizer 68 COMPONENT PARTS SEE COMPONENTS LIST ☞ 0.007.7646.4 ☞ 02.00.5
150	2.1599.414.0	2	snooulder 40 x 50 x 3.0
151	2.1599.423.0	1	snooulder 40 x 50 x 2.9
152	2.1599.424.0	2	snooulder 40 x 50 x 2.8
153	2.1599.425.0	1	snooulder 40 x 50 x 2.7
154	2.1410.022.1	1	circlip 55
157	0.010.5448.3/10	1	gear Z = 32
180	2.1589.393.0	0	snooulder 30x45x1.3
181	2.1589.394.0	0	snooulder 30x45x1.8
182	2.1589.395.0	0	snooulder 30x45x2.3
183	2.1589.396.0	0	snooulder 30x45x2.8
184	2.1589.397.0	0	snooulder 30x45x3.3
185	2.1589.398.0	0	snooulder 30x45x3.8
190	0.000.0000.1	0	not serviceable
190.1	0.009.9595.0/10	1	gear Z = 37
190.7	0.009.9594.0	1	gear Z = 34
190.20	0.445.3358.0/20	1	gear Z = 54

Section: GEAR

**GEAR CHANGE BOX 5 SPEED - FOR POWERSHIFT TYPES**

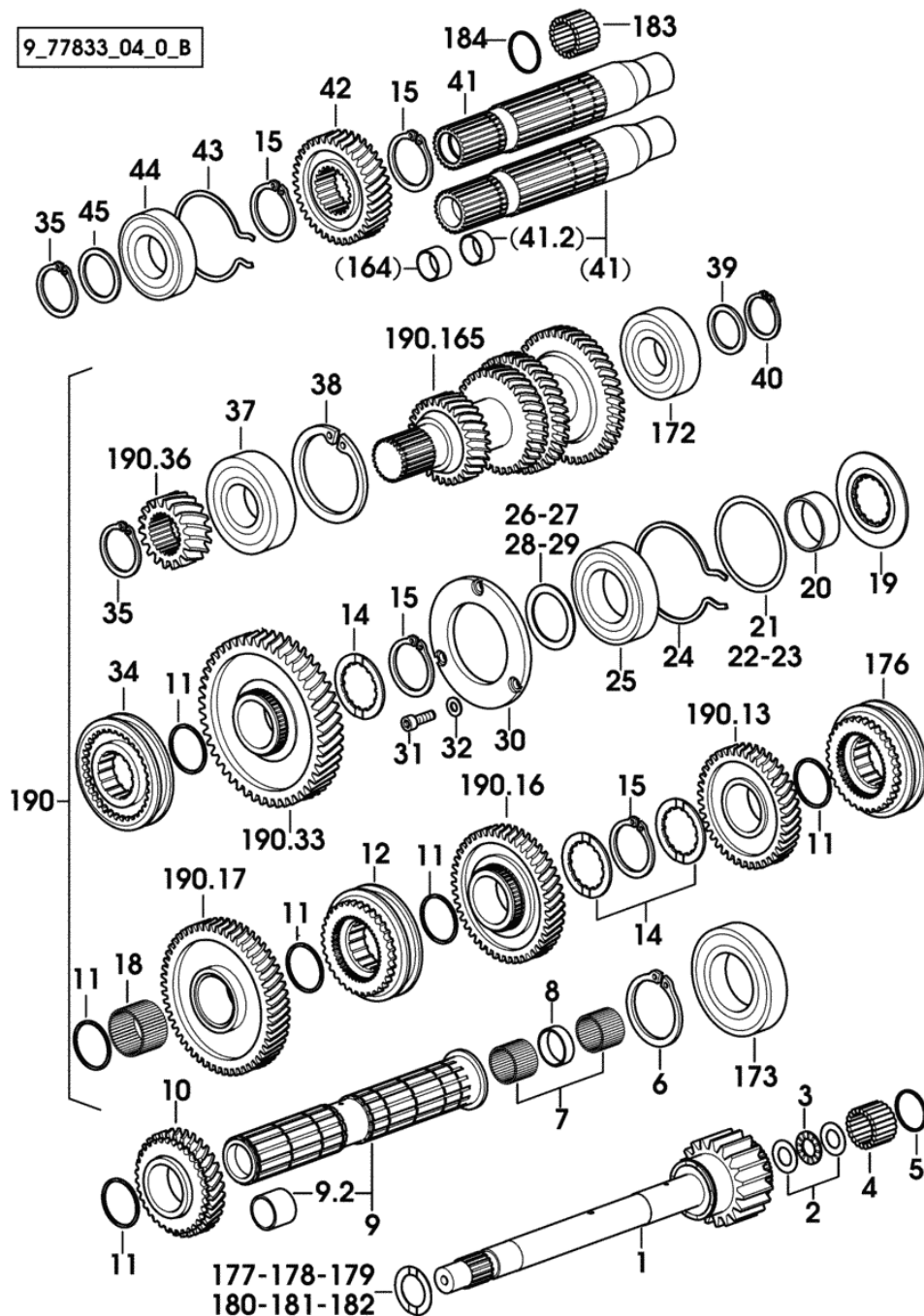
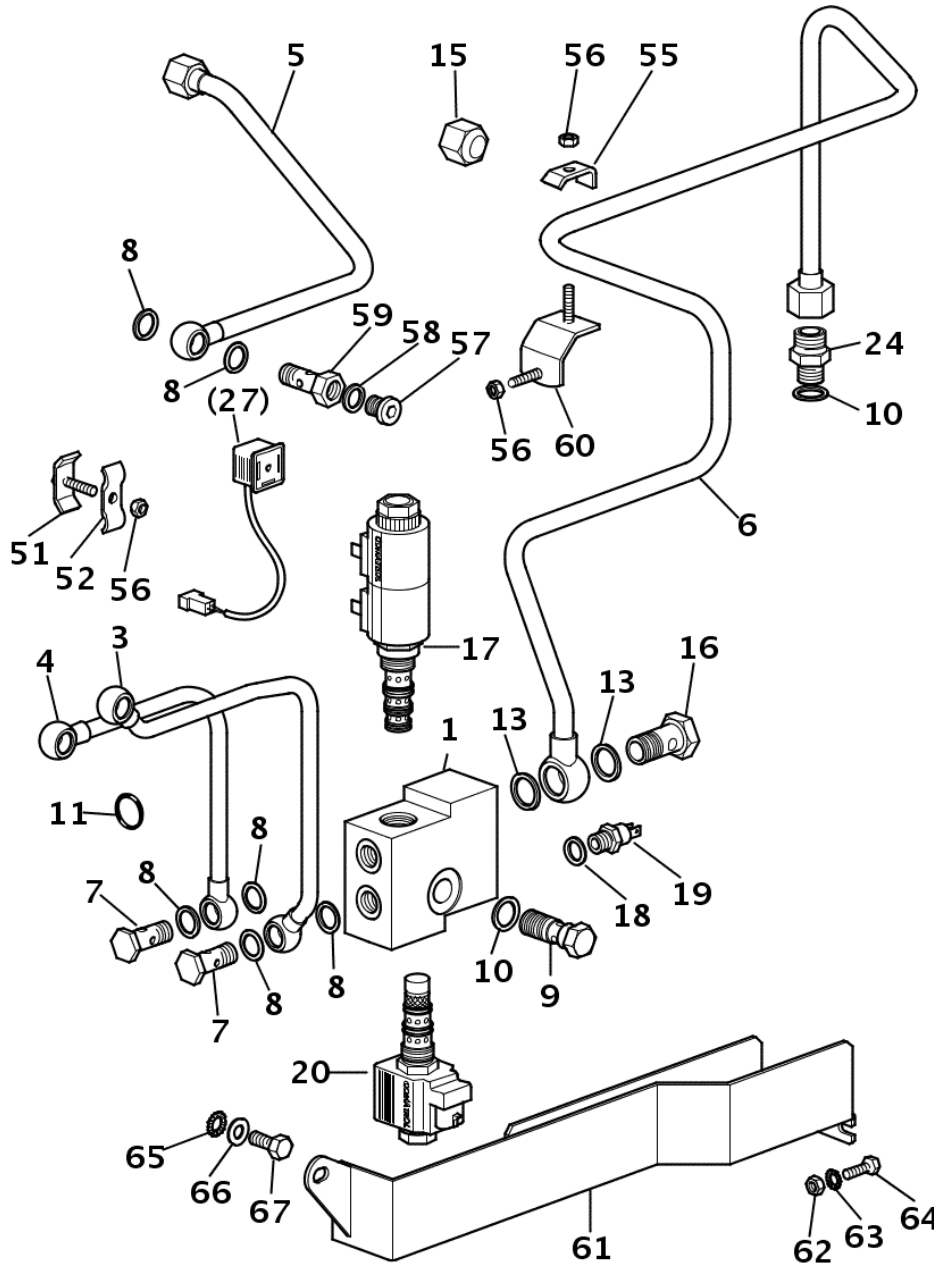


Fig.	Code	QTY	Name
37	2.2999.367.0	1	bearing 40 x 90 x 23
38	2.1411.036.1	1	circlip 90
39	2.1599.421.0	1	snoulder 35 x 45 x 3.0
40	2.1410.014.1	1	circlip 35
41	0.010.7442.3	1	shaft 1062 <- X Agroplus 75 1061 <- X Agroplus 85 1023 <- X Agroplus 95
41	0.010.7442.0/20	1	shaft -> 1063 X Agroplus 75 -> 1062 X Agroplus 85 -> 1024 X Agroplus 95
41.2	2.1555.214.0	1	bushing 25 x 28 x 15 1062 <- X Agroplus 75 1061 <- X Agroplus 85 1023 <- X Agroplus 95
42	0.007.7457.0	1	gear Z = 37
43	2.1499.052.1/10	1	circlip 80
44	2.2042.112.0	1	ball bearing
45	2.1599.425.0	0	snoulder 40 x 50 x 2.7
164	2.1555.214.0	1	bushing 25 x 28 x 15 1062 <- X Agroplus 75 1061 <- X Agroplus 85 1023 <- X Agroplus 95
172	2.2060.011.0	1	ball bearing 35 x 80 x 21
173	2.2999.125.0	1	bearing 55 x 100 x 21
176	0.010.8863.4	1	lock synchronizer 68/72.5 COMPONENT PARTS SEE COMPONENTS LIST ☞ 0.010.8863.4 ☞ 02.00.9
177	2.1589.393.0	0	snoulder 30x45x1.3
178	2.1589.394.0	0	snoulder 30x45x1.8
179	2.1589.395.0	0	snoulder 30x45x2.3
180	2.1589.396.0	0	snoulder 30x45x2.8
181	2.1589.397.0	0	snoulder 30x45x3.3
182	2.1589.398.0	0	snoulder 30x45x3.8
183	2.2770.182.0	1	roller cage 25x29x13 -> 1063 X Agroplus 75 -> 1062 X Agroplus 85 -> 1024 X Agroplus 95
184	2.1423.020.7	1	circlip 29 -> 1063 X Agroplus 75 -> 1062 X Agroplus 85

Section: GEAR

**REVERSING GEAR UNIT CONTROLS - FOR TYPES WITHOUT POWERSHIFT**

Fig.	Code	QTY	Name
1	0.010.6220.3/20	1	body
3	0.010.4260.3/20	1	tube
4	0.010.4261.3/20	1	tube
5	0.011.0303.3/10	1	tube
6	0.011.0038.3	1	tube
7	2.3335.006.2	5	pipe union m 14 p.1.5x24 1184 <- X Agroplus 75 1313 <- X Agroplus 85 1191 <- X Agroplus 95 1176 <- X Agroplus 100
7	2.3335.006.2	2	pipe union m 14 p.1.5x24 -> 1185 X Agroplus 75 -> 1314 X Agroplus 85 -> 1192 X Agroplus 95 -> 1177 X Agroplus 100
8	2.1560.010.0	11	gasket 14.2 x 20 x 1.5
9	2.3339.688.2/10	1	pipe union
10	2.1560.012.0	2	gasket 16.2 x 22 x 1.5
11	2.1531.049.0	1	'o' ring 18.77 x 1.78
13	2.1560.014.0	2	gasket 18.2 x 24 x 1.5
15	2.3199.284.2	1	plug 3/4" - 16JIC
16	2.3335.008.2	1	pipe union m 18 p.1.5 x 32
17	2.3719.750.0/20	1	electro valve 12 V - 21 W, ON/OFF 4/3 2052 <- X Agroplus 75 3785 <- X Agroplus 85 2341 <- X Agroplus 95 2361 <- X Agroplus 100 COMPONE ☞ 2.3719.750.0/20 ☞ 02.00.10
17	2.3719.750.0/30	1	electro valve 12 V - 21 W, ON/OFF 4/3 -> 2053 X Agroplus 75 -> 3786 X Agroplus 85 -> 2342 X Agroplus 95 -> 2362 X Agroplus 100 COMPONE ☞ 2.3719.750.0/30 ☞ 02.00.11
18	2.1560.008.0	1	gasket 12.2 x 18
19	2.7099.690.0/10	1	pressure switch 4 bar
20	2.3729.310.0/20	1	electro valve 13V - 20W COMPONENT PARTS SEE COMPONENTS LIST ☞ 2.3729.310.0/20



9\_77882\_25\_0\_0

Section: GEAR  
**SPEED RANGE REDUCTION GEAR UNIT**

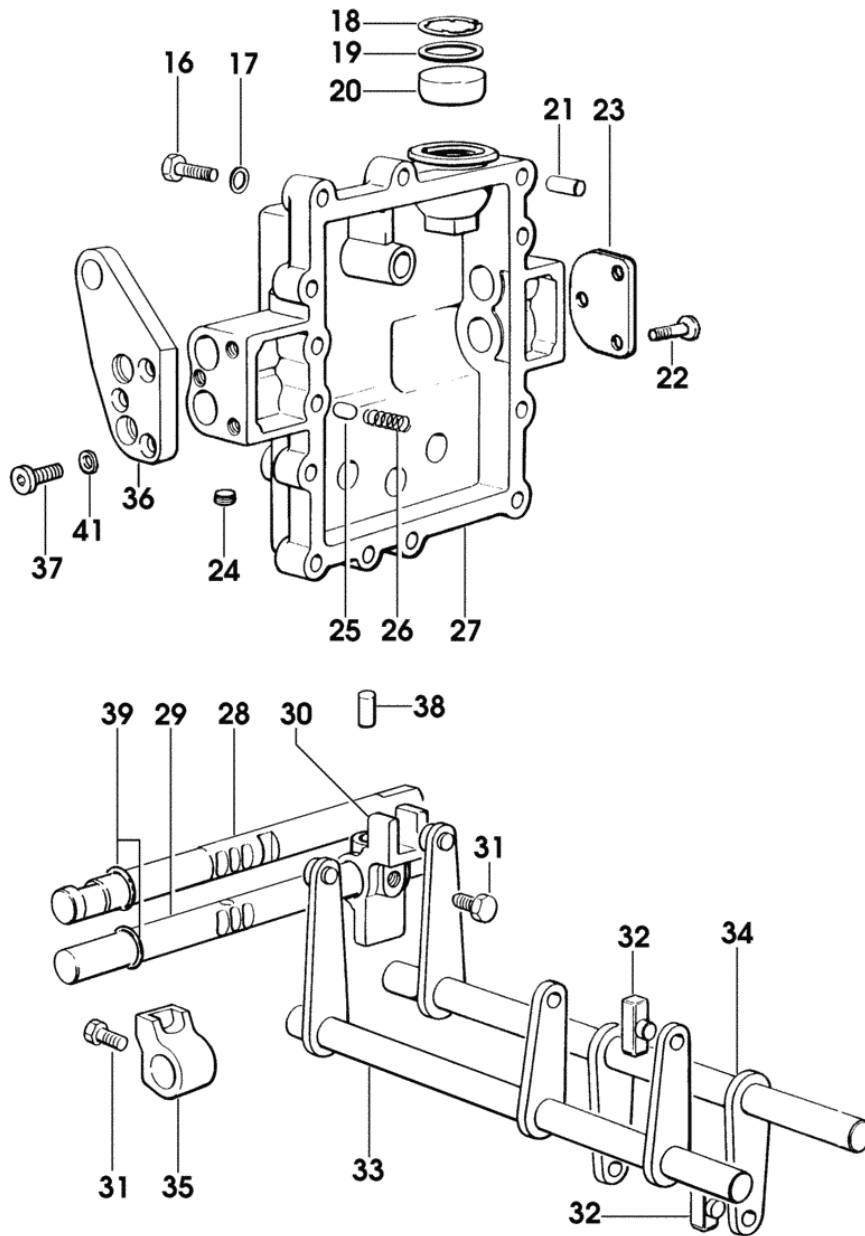


Fig.	Code	QTY	Name
------	------	-----	------

Notes:

1011 <- X Agroplus 75 1009 <- X Agroplus 85 1009 <- X Agroplus 95

16	2.0112.215.2	9	screw m 8 p.1.25 x 40
17	2.1481.007.1	9	washer 8
18	2.1499.054.1	1	circlip 42
19	2.1599.429.0	1	snoulder 28x41.5
20	0.007.2631.0	1	plug
21	2.1651.709.0	2	pin 8x20
22	2.0342.305.3	3	screw m 8 p 1.25 x 20
23	0.255.3919.0/10	1	plate
24	2.3131.001.4	1	plug m 12 p.1.5
25	2.1699.159.0	3	cap 10 x 14.1
26	2.4019.622.1	2	spring 6.3 x 9.5 x 1.6 x 22.4
27	0.255.6436.0/60	1	cover
28	0.007.2633.0/30	1	rod mm 267
29	0.007.2634.0/20	1	rod mm 267
30	0.007.2630.0	1	small lever
31	2.0399.019.1	2	screw m 8 p.1 x 16
32	0.255.6463.0	4	shoe
33	0.008.5550.2	1	fork
34	0.255.6439.2/10	1	fork
35	0.008.4316.0/20	1	hub
36	0.010.8558.0	1	support
37	2.0312.210.2	3	screw m 8 p 1.25 x 30
38	2.1699.267.0	1	pin 8x18
39	2.1530.040.0	2	'o' ring 15.88x2.62
41	2.1480.014.1	3	washer 8

9\_77834\_00\_0\_B

Section: GEAR

**GEARSHIFT LEVER - FOR TYPES WITHOUT POWERSHUTTLE**

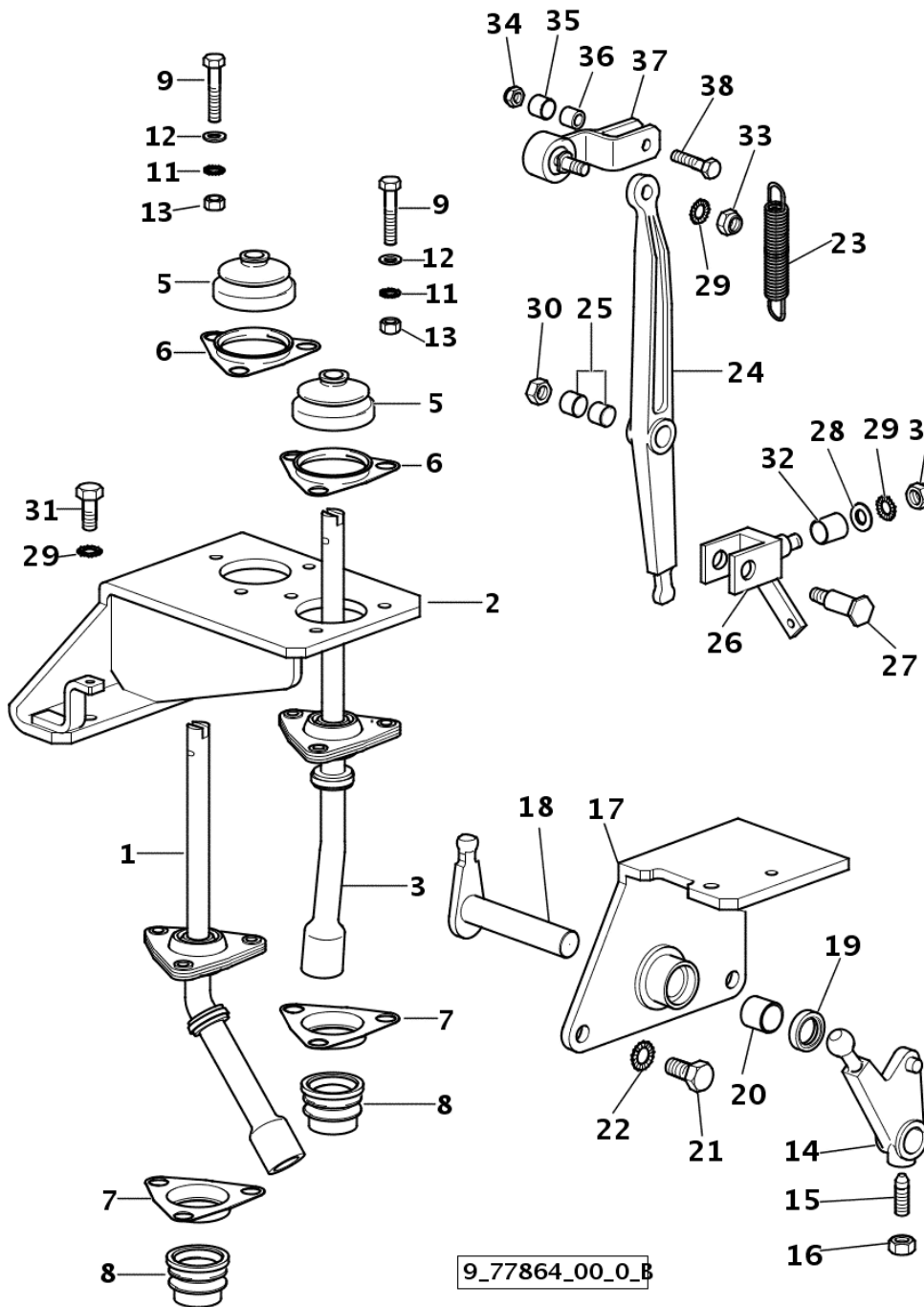


Fig.	Code	QTY	Name
------	------	-----	------

Notes:

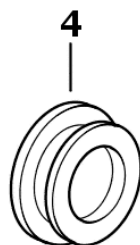
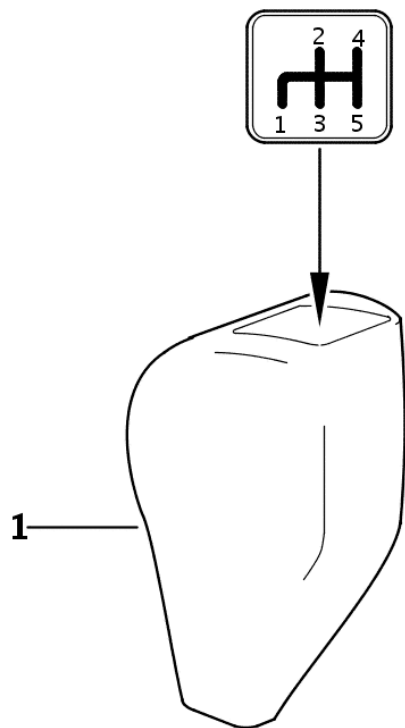
1523 <- X Agroplus 75    1827 <- X Agroplus 85    1501 <- X Agroplus 95    1494 <- X Agroplus 100

1	0.010.8614.3/20	1	lever
2	0.010.8617.2	1	support
3	0.010.8616.3/10	1	lever
			1279 <- X Agroplus 75
			1376 <- X Agroplus 85
			1295 <- X Agroplus 95
			1222 <- X Agroplus 100
	0.010.8616.3/30	1	lever
			-> 1280 X Agroplus 75
			-> 1377 X Agroplus 85
			-> 1296 X Agroplus 95
			-> 1223 X Agroplus 100
5	0.008.5961.0	2	guard
6	0.007.6981.0/10	2	support
7	0.007.7693.0/10	2	cap-washer
8	0.007.7692.0/10	2	guard
9	2.0112.211.2	6	screw m 8 p.1.25 x 30
11	2.1470.004.2	12	washer 8
12	2.1310.004.2	6	flat washer 8.5
13	2.1011.105.2	6	nut m 8 p.1.25
14	0.010.8615.0/10	1	lever
15	2.0399.050.2	1	screw m 10 p.1 x 30
16	2.1011.406.2	1	nut m 10 p.1
17	0.010.8618.2	1	support
18	0.010.8557.2/10	1	lever
19	2.1520.006.0	1	oil seal 20 x 30 x 7
20	2.1555.311.0	2	bushing 20x23x20
21	2.0112.409.2	3	screw m 12 p.1.75 x 25
22	2.1470.007.2	3	lock washer 12
23	2.4049.025.1	1	spring 17.1x116x2.1
24	0.010.8613.0/30	1	lever
25	2.1555.107.0	2	bushing 14x16x12
26	0.009.9858.2/10	1	fork
27	0.009.9957.0	1	pin
28	2.1579.520.2	1	washer 10.5x30x3
29	2.1470.006.2	3	lock washer 10
30	2.1011.106.2	2	nut m 10 p.1.5
31	2.0112.309.2	2	screw m 10 p.1.5 x 25
32	2.1555.309.0	1	bushing 16x18x20
33	2.1120.106.2	1	nut m 10 p.1.25
34	2.1120.005.2	1	nut m 8 p.1.25

Section: GEAR

**KNOB FOR 5-SPEED GEARBOX**

Fig.	Code	QTY	Name
1	0.010.5331.4	1	knob
3	2.3199.133.0	2	plug 11
4	0.010.7111.0	1	plug 32



9\_77864\_10\_0\_

Section: GEAR

**DIFFERENTIAL - FOR TYPES WITH "ASM SYSTEM"**

9\_52635\_03\_0\_0

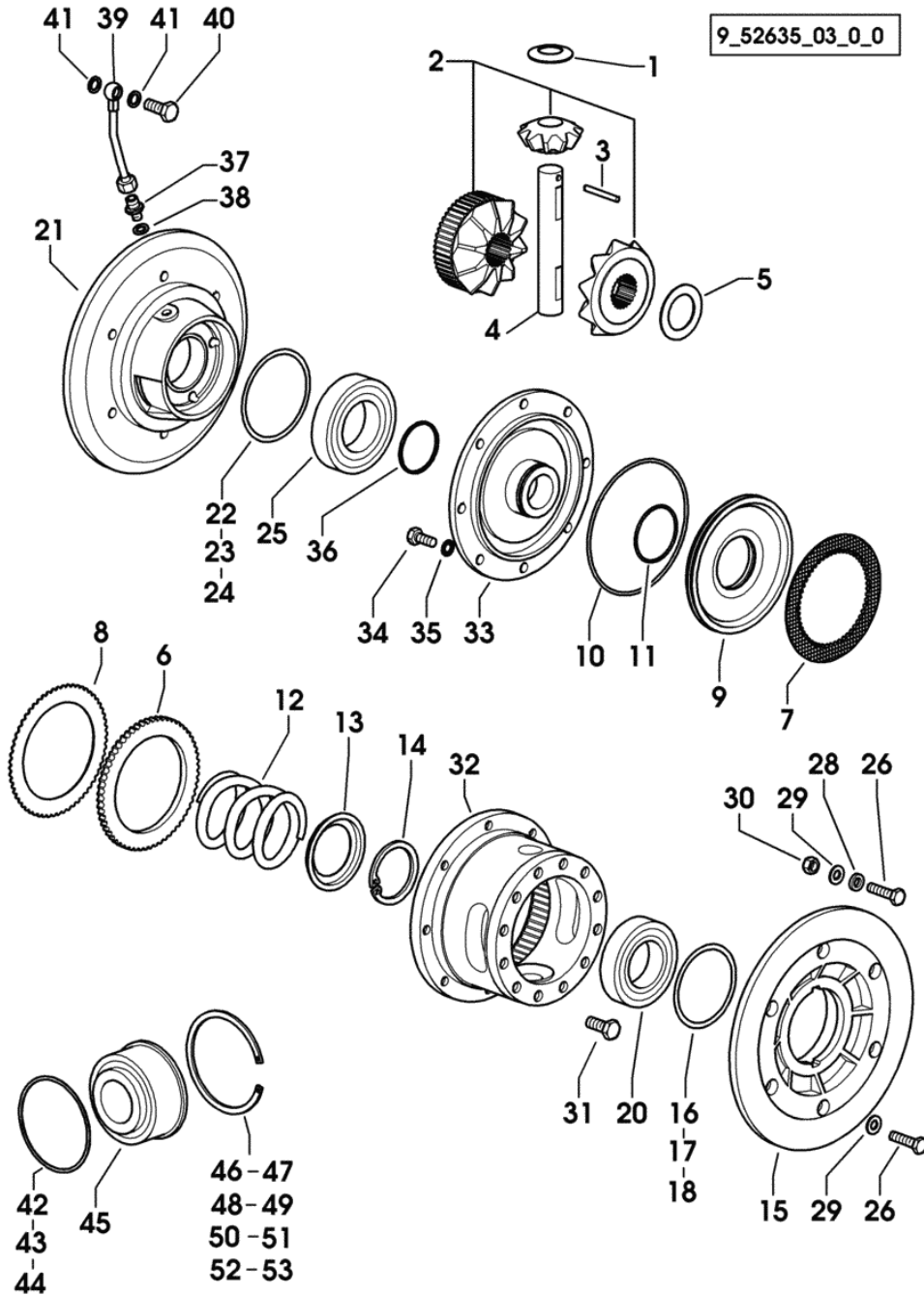


Fig.	Code	QTY	Name
1	0.157.3550.0	2	snoulder
2	0.008.5907.3/10	1	crown wheel
3	2.1631.519.0	1	roll pin 6x50
4	0.010.0368.0	1	pin
5	2.1599.427.0/10	2	snoulder 42x64x0.3
6	0.008.5908.0	1	spacer
7	0.010.5034.2	6	disc mm 2.50
8	0.010.0711.0	6	disc mm 1.75
9	0.010.4853.0/10	1	piston
10	2.1539.094.0	1	'o' ring 151.99x3.53
11	0.005.8281.0	1	'o' ring 61.6x2.62
12	0.008.4346.2	1	spring
13	0.008.4344.0	1	cup
14	2.1410.024.1	1	circlip Ø 60 mm
15	0.009.6541.0/20	1	flange sx/lh/li
16	2.1580.319.0	5	shim 86x98x0.5
17	2.1580.320.0	2	shim 86x98x0.2
18	2.1580.321.0	2	shim 86x98x0.15
20	2.2520.012.0	1	roller bearing 55 x 100 x 22.75
21	0.008.5612.0/20	1	flange dx/rh/re
22	2.1580.305.0	2	shim 97x108x0.2
23	2.1580.306.0	2	shim 97x108x0.5
24	2.1580.312.0	2	shim 97x108x0.05
25	2.2520.013.0	1	roller bearing 60x110x23.75
26	2.0312.314.2	12	screw m 10 p.1.5 x 40
28	2.1599.210.0/10	4	spacer 10.5x19x4
29	2.1480.015.1	14	washer 10
30	2.1011.106.2	2	nut m 10 p.1.5
31	2.0129.028.2	12	screw m 12 p.1.25x30
32	0.008.5741.0/20	1	differential carrier
33	0.008.5909.3/20	1	cover
34	2.0112.309.2	8	screw m 10 p.1.5 x 25
35	2.1470.006.2	8	lock washer 10
36	0.164.3646.0	2	piston ring
37	2.3261.003.2	1	pipe fitting m 10 p.1.25 - 1/2"
38	2.1560.006.0	1	gasket 10.2 x 16
39	0.008.4348.3/20	1	tube
40	2.3330.003.1	1	pipe union m 12 p.1.5
41	2.1560.008.0	2	gasket 12.2 x 18
42	2.1589.167.0	1	snoulder 105 x 112 x 0.15
43	2.1589.168.0	1	snoulder 105 x 112 x 0.1
44	2.1589.169.0	1	snoulder 105 x 112 x 0.5
45	2.2999.196.0	1	bearing
46	2.1499.061.1	0	circlip 120x3.4

Section: REAR AXLE

**HANDBRAKE BRACKET FOR TRAILER**

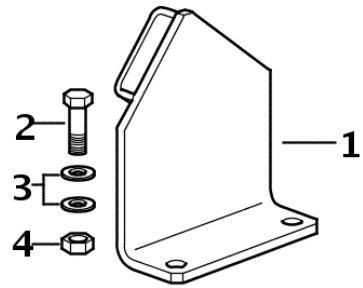
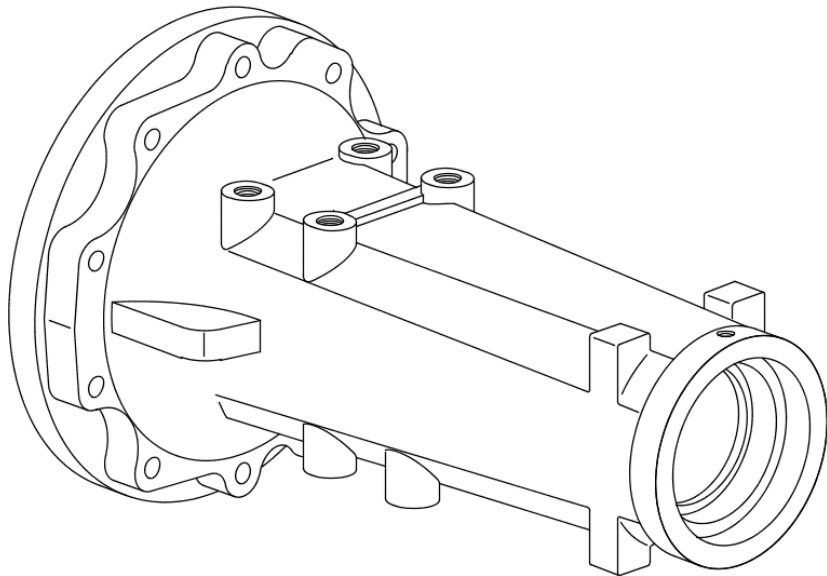


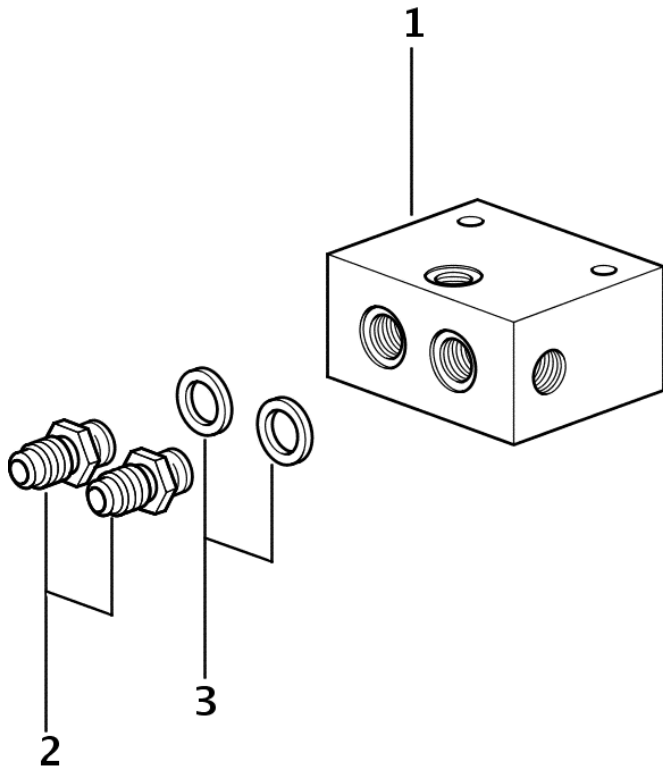
Fig.	Code	QTY	Name
1	0.014.5699.2	1	support
2	2.0112.307.2	2	screw m 10 p.1.5 x 20
3	2.1310.006.2	4	flat washer 10.5
4	2.1011.106.2	2	nut m 10 p.1.5



9\_64844\_20\_0\_0

Section: REAR AXLE  
**BLAKES BLOCK 2wd**

Fig.	Code	QTY	Name
1	0.445.6676.0/10	1	small block
2	2.3339.447.2/10	2	pipe fitting m 12 p.1.25
3	2.1560.008.0	2	gasket 12.2 x 18

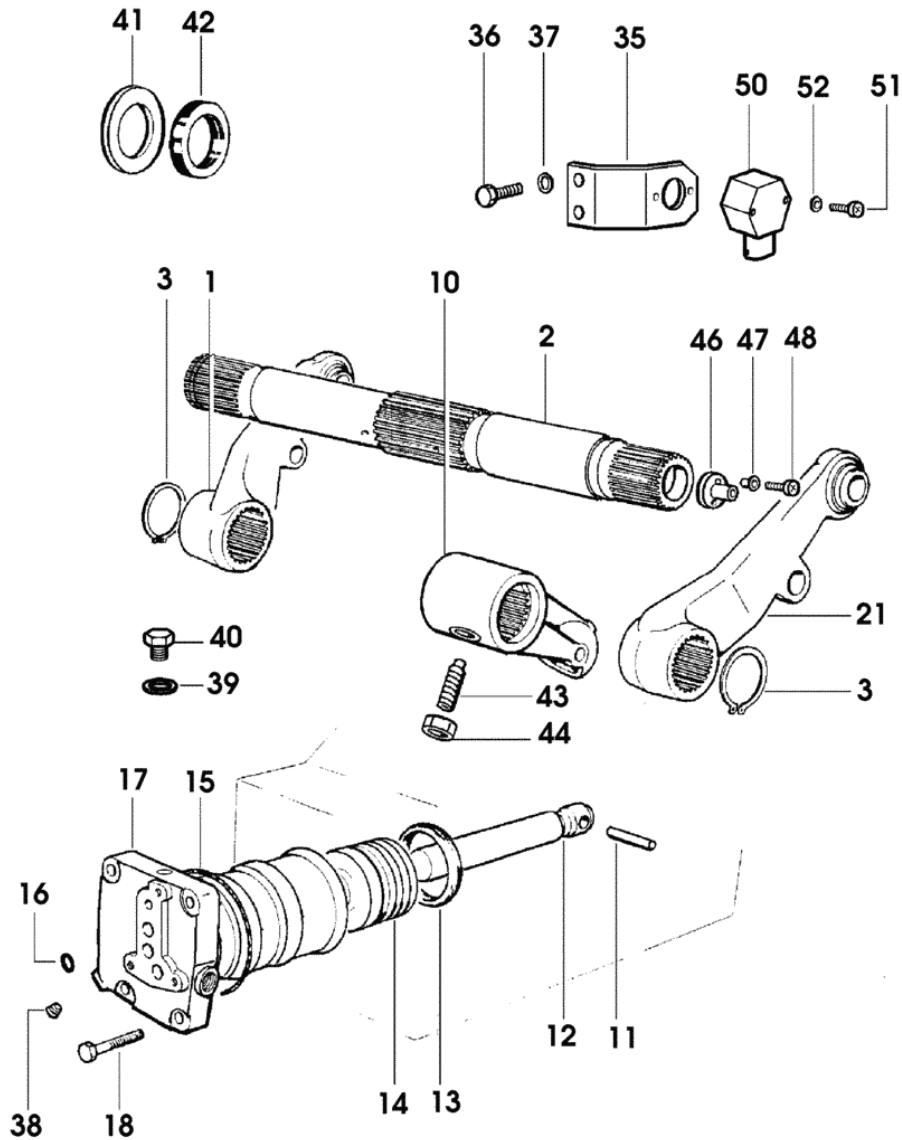


9\_40566\_11\_0\_0

**LIFTING WITH ELECTRONIC CONTROL**

Fig.	Code	QTY	Name
------	------	-----	------

1	0.007.1954.3/10	1	lift lever dx/rh/re
2	0.009.3679.0/30	1	shaft
3	2.1410.022.1	2	circlip 55
10	0.007.1952.0/10	1	lever
11	2.1631.922.0	1	roll pin 12x65
12	0.9131.313.0	1	connecting rod
13	2.1518.125.0	1	'o' ring 90x110x12.5
14	0.9131.311.0/10	1	piston
15	2.1530.256.0	1	'o' ring 152x3.5
16	2.1531.037.0	2	'o' ring 15.08x2.62
17	0.010.8394.0	1	cylinder
18	2.0122.620.2	4	screw m 16 p.1.5x55
21	0.007.1953.3/10	1	lift lever sx/lh/li
35	0.009.3526.3/50	1	bracket
			1279 <- X Agroplus 75
			1431 <- X Agroplus 85
			1323 <- X Agroplus 95
35	0.011.3853.3/10	1	bracket
			-> 1280 X Agroplus 75
			-> 1432 X Agroplus 85
			-> 1324 X Agroplus 95
36	2.0112.207.2	2	screw m 8 p 1.25 x 20
37	2.1310.004.2	2	flat washer 8.5
38	2.3131.002.2	3	plug m 14 p.1.5
39	2.1560.014.0	1	gasket 18.2 x 24 x 1.5
40	2.3110.405.1	1	plug m 18 p.1.5 x 15
41	2.1599.696.2	2	snoulder 55x88x5
42	2.1520.329.0	2	oil seal 55x72x10
43	2.0522.312.7	1	screw m 10 p.1.5 x 30
44	2.1011.106.2	1	nut m 10 p.1.5
46	0.007.6992.0/10	1	joint
47	2.1559.363.2	2	sleeve
48	2.0332.305.2	2	screw m 5 p.0.8 x 14
50	0.009.7983.4	1	position sensor
			1279 <- X Agroplus 75
			1431 <- X Agroplus 85
			1323 <- X Agroplus 95
50	2.7099.740.0/10	1	sensor
			-> 1280 X Agroplus 75
			-> 1432 X Agroplus 85
			-> 1324 X Agroplus 95
51	2.0332.207.3	2	screw m 4 x 20
			1279 <- X Agroplus 75
			1431 <- X Agroplus 85



9\_77959\_21\_0\_0

**CONTROL TIE RODS AND LEVERS - FOR TYPES WITH MECHANICAL LIFTER**

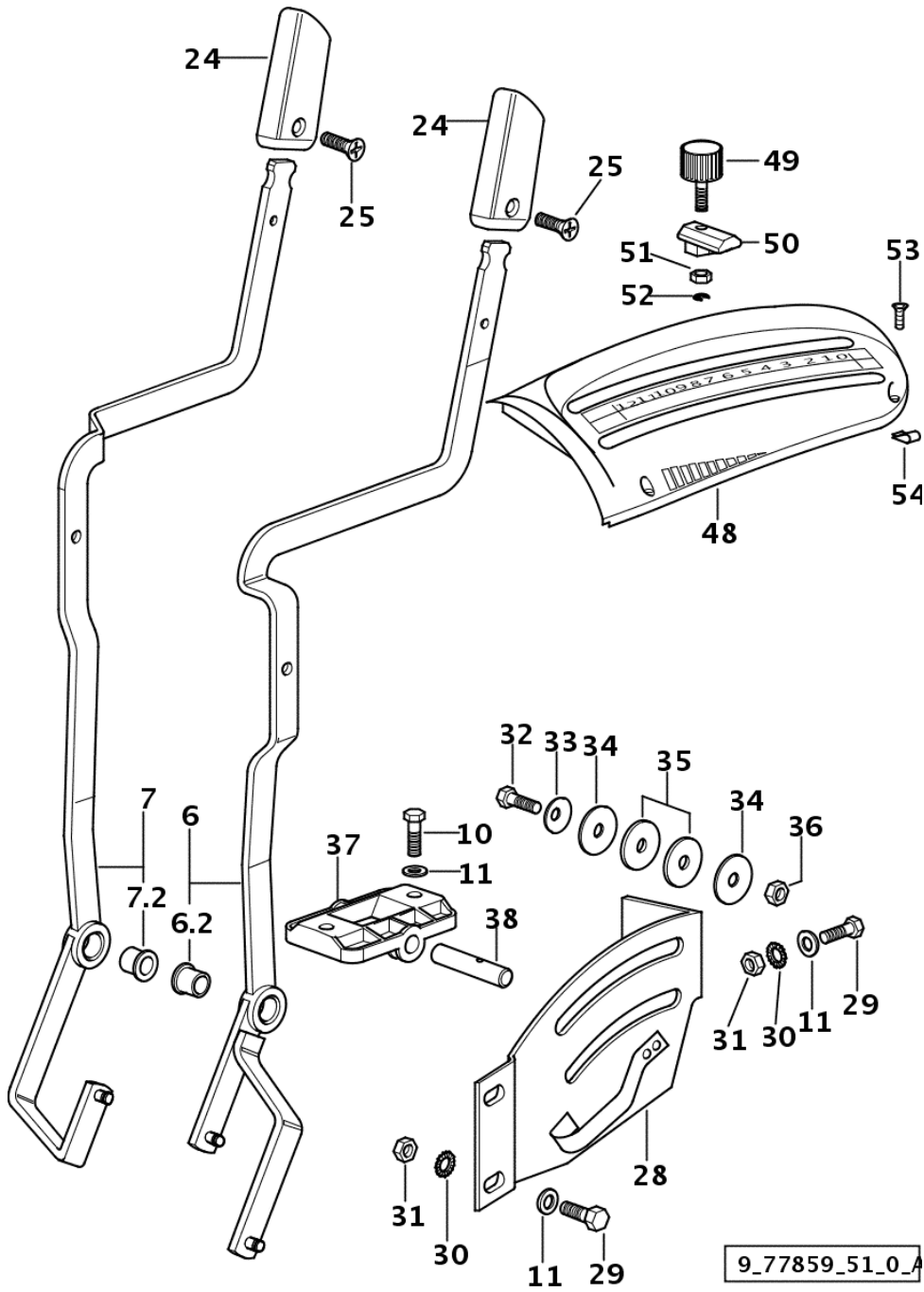


Fig.	Code	QTY	Name
------	------	-----	------

Notes:

1029 <- X Agroplus 75    1017 <- X Agroplus 85    1013 <- X Agroplus 95    1012 <- X Agroplus 100

6	0.010.7825.3/10	1	lever
6.2	2.1559.243.0	1	bushing 12x16x15
7	0.010.7826.3/10	1	lever
7.2	2.1559.243.0	1	bushing 12x16x15
10	2.0112.211.2	2	screw m 8 p.1.25 x 30
11	2.1310.004.2	5	flat washer 8.5
24	0.010.5312.0	2	knob
25	2.0322.406.6	2	screw m 6 p.1.0 x 16 -> 1917 X Agroplus 75 -> 3063 X Agroplus 85 -> 1916 X Agroplus 95 -> 1909 X Agroplus 100
29	2.0362.307.2	3	screw m 8 x 20
30	2.1470.004.2	3	washer 8
31	2.1011.105.2	3	nut m 8 p.1.25
32	2.0112.213.2	2	screw m 8 p.1.25 x 35
33	2.4099.053.7	2	spring 8.2 x 23 x 0.7
34	2.1599.245.0	4	snoulder 8.5 x 32 x 2.0
35	0.9030.672.0	4	ring 8.5 x 32 x 3.0
36	2.1019.133.2	2	nut m 8
37	0.010.4185.0	1	support
38	2.1699.457.2/10	1	pin 12x61
48	0.011.0949.0/10	1	frame
49	0.007.6770.3/10	2	knob
50	0.007.6771.0/10	2	slider
51	2.1011.103.2	2	nut m 6 p.1
52	2.1430.005.2	2	circlip
53	2.0352.407.3	2	screw m 4.2 x 22
54	2.6999.022.0	2	small spring

**Agroplus 95**

Section: S.A.C.

Ref.: 0D.00.35

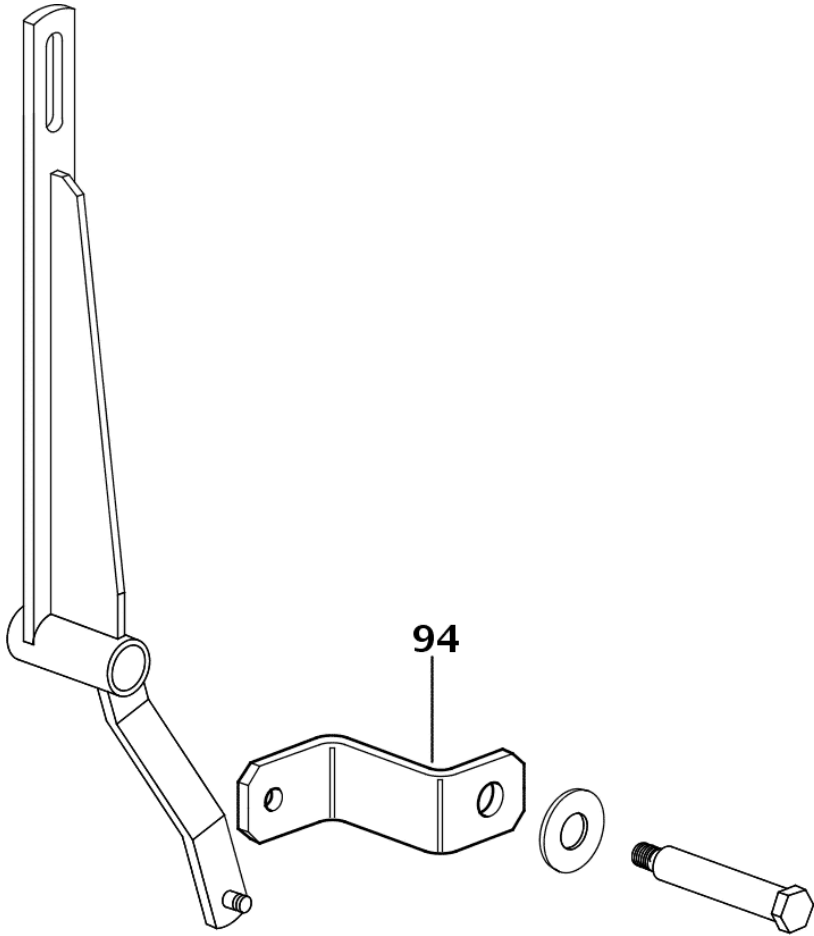
**S.A.C. GROUND CONTROL - FOR TYPES WITH MECHANICAL LIFTER**

Fig.	Code	QTY	Name
------	------	-----	------

**Notes:**

-> 1030 X Agroplus 75 -> 1018 X Agroplus 85 -> 1014 X Agroplus 95 -> 1013 X Agroplus 100 - FOR MODELS WITH CAB

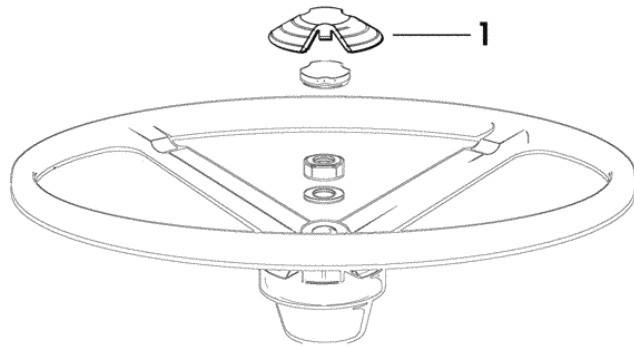
94	0.011.2115.0	1	square
----	--------------	---	--------



9\_77859\_51\_0\_

**STEERING WHEEL CAP**

Fig.	Code	QTY	Name
1	0.010.5634.3	1	plug DEUTZ-FAHR



9\_68461\_10\_0\_0

**PIPES FOR HYDROSTATIC STEERING**

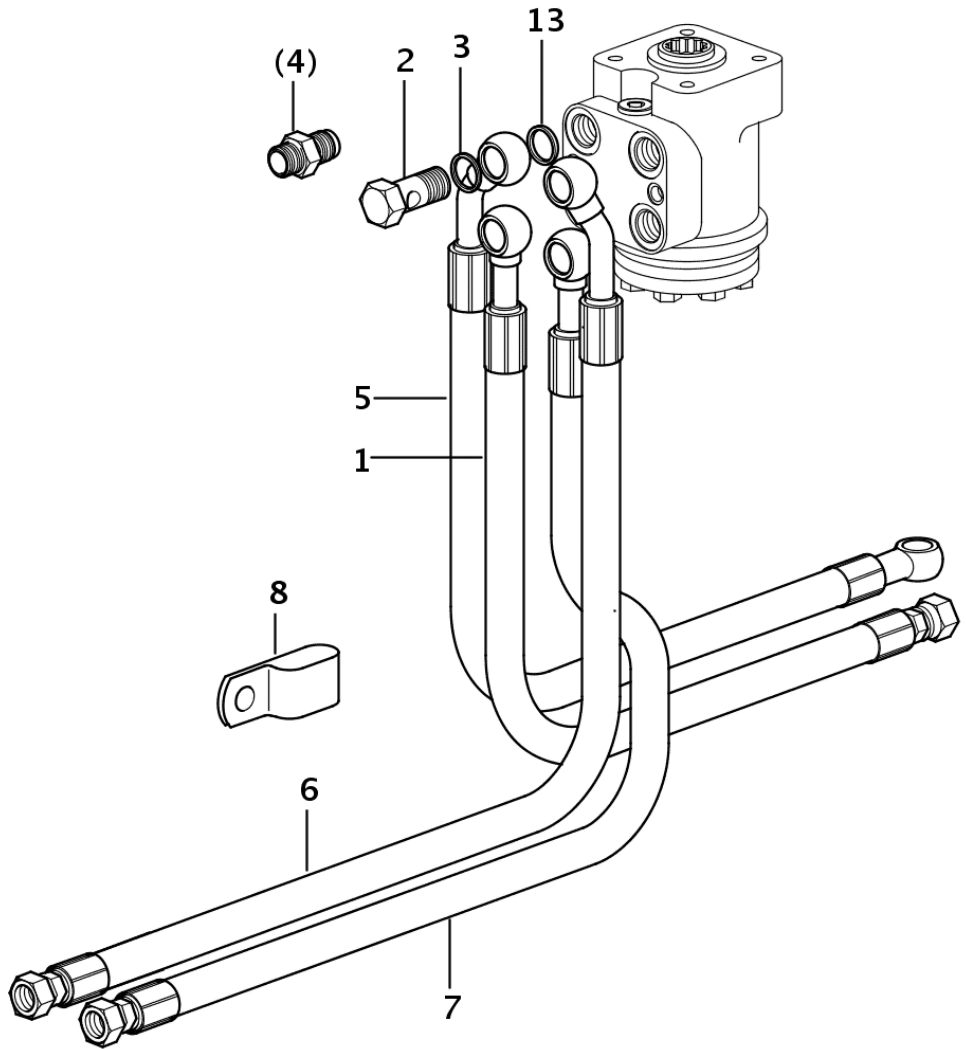


Fig.	Code	QTY	Name
1	0.011.0495.3	1	tube 1029 <- X Agroplus 75 1017 <- X Agroplus 85 1013 <- X Agroplus 95 1012 <- X Agroplus 100
1	0.011.0495.3/10	1	tube -> 1030 X Agroplus 75 -> 1018 X Agroplus 85 -> 1014 X Agroplus 95 -> 1013 X Agroplus 100
2	2.3335.008.2	2	pipe union m 18 p.1.5 x 32 1029 <- X Agroplus 75 1017 <- X Agroplus 85 1013 <- X Agroplus 95 1012 <- X Agroplus 100
2	2.3335.008.2	4	pipe union m 18 p.1.5 x 32 -> 1030 - (...) <- X Agroplus 75 -> 1018 - (...) <- X Agroplus 85 -> 1014 - (...) <- X Agroplus 95 -> 1013 - (...) <- X Agroplus 100
2	2.3335.055.2	4	pipe union m 18 p.1.5 -> (...) X Agroplus 75 -> (...) X Agroplus 85 -> (...) X Agroplus 95 -> (...) X Agroplus 100
3	2.1560.014.0	4	gasket 18.2 x 24 x 1.5
4	2.3261.009.2	2	pipe fitting m 18 p.1.5-3/4" 1029 <- X Agroplus 75 1017 <- X Agroplus 85 1013 <- X Agroplus 95 1012 <- X Agroplus 100
5	0.011.0496.3/10	1	tube 1029 <- X Agroplus 75 1017 <- X Agroplus 85 1013 <- X Agroplus 95 1012 <- X Agroplus 100
5	0.011.0496.3/20	1	tube -> 1030 X Agroplus 75 -> 1018 X Agroplus 85 -> 1014 X Agroplus 95 -> 1013 X Agroplus 100
6	0.011.0500.3	1	tube sx/lh/li 1029 <- X Agroplus 75 1017 <- X Agroplus 85

9\_77863\_02\_0\_4

**2WD - VALVE CASE AND HYDRAULIC SLAVE UNITS**

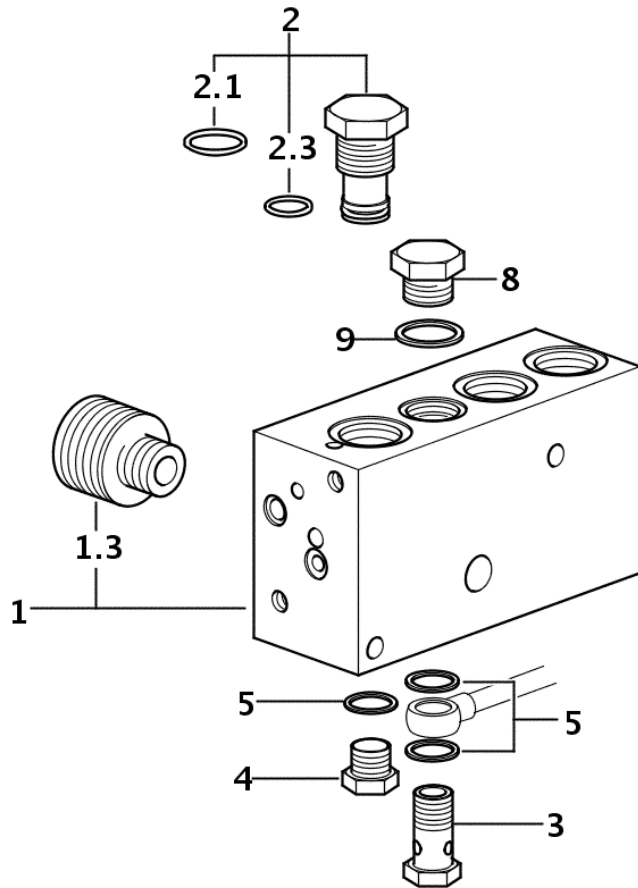


Fig.	Code	QTY	Name
1	0.011.0034.3	1	valve body 1659 <- X Agroplus 75 2093 <- X Agroplus 85 1607 <- X Agroplus 95 1612 <- X Agroplus 100
1	0.011.0034.3/10	1	valve body -> 1660 X Agroplus 75 -> 2094 X Agroplus 85 -> 1608 X Agroplus 95 -> 1613 X Agroplus 100
1.3	2.3339.810.2/10	1	pipe fitting m 18x1.5 - m32x2
2	0.006.6161.4/10	1	plug
2.1	2.1530.048.0	1	'o' ring 18.72x2.62
2.3	2.1530.035.0	1	'o' ring 14.00x1.78
3	2.3332.003.2	1	pipe union m 12 p.1.25 x 23
4	2.3110.422.2	1	plug m 12
5	2.1560.008.0	3	gasket 12.2 x 18
8	2.3110.404.1	1	plug m 16 p.1.5x14
9	2.1560.011.0	1	gasket 16.2x20

9\_77782\_04\_0\_

**GEAR SHIFT POWERSHIFT**

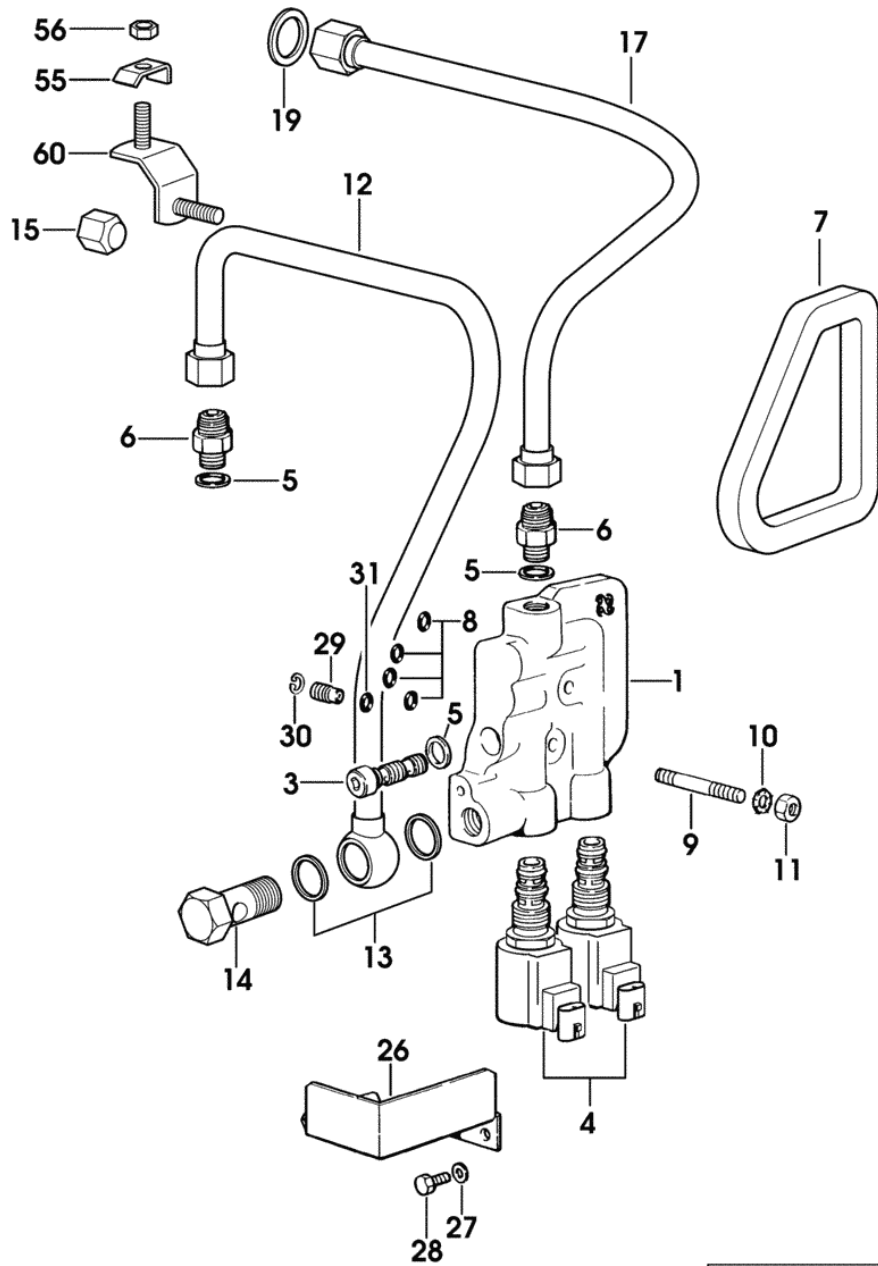


Fig.	Code	QTY	Name
1	0.009.7713.3/30	1	valve body
3	0.010.0322.4/10	1	valve
4	2.3719.670.0/10	0	electro valve
5	2.1560.012.0	2	gasket 16.2 x 22 x 1.5
6	2.3261.008.2	2	pipe fitting m 16 p.1.5-3/4"
7	0.009.7686.0	1	gasket
8	2.1532.016.0	4	'o' ring 8.74 x 1.78
9	2.0422.219.2	2	stud bolt m 8 p.1.25x70
10	2.1470.004.2	2	washer 8
11	2.1011.105.2	2	nut m 8 p.1.25
12	0.011.0037.3	1	tube
13	2.1560.014.0	2	gasket 18.2 x 24 x 1.5
14	2.3335.008.2	1	pipe union m 18 p.1.5 x 32
15	2.3199.284.2	1	plug 3/4" - 16JIC
17	0.011.0305.3/10	1	tube
19	2.1560.010.0	1	gasket 14.2 x 20 x 1.5
26	0.007.7150.0	1	guard
27	2.1470.002.2	2	washer 6, d128
28	2.0112.003.2	2	screw m 6 p.1 x 12
29	0.007.7996.0/30	1	small piston
30	2.1411.001.1	1	circlip 10
31	2.1531.025.0	1	'o' ring 10.82x1.78
55	0.176.6359.0	1	clamp
56	2.1011.103.2	2	nut m 6 p.1
60	0.011.4581.3	1	bracket

9\_77882\_20\_0\_0

Section: WHEELS  
**WHEELS 13.6R-24" a8**

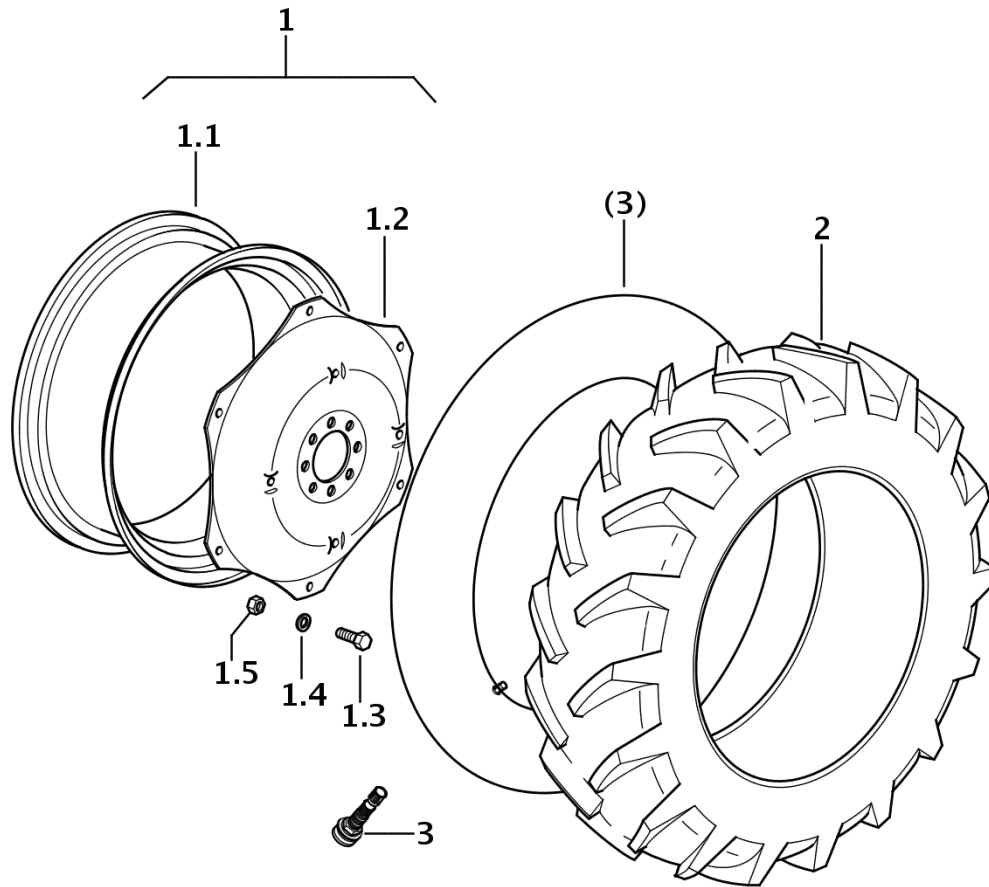


Fig.	Code	QTY	Name
1	0.000.0000.1	0	not serviceable
1.1	0.012.3047.3	1	rim W 12x24" C/ST
1.2	0.010.9752.0	1	flange 24"
1.3	2.0099.005.6	6	screw m 16 p.1.5 x 38
1.4	2.1499.019.6	6	washer 16.3 x 31.5
1.5	2.1019.059.6	6	nut m 16 p.1.5 x 16
2	2.4811.063.0	2	tyre 340/85R24"(13.6R24")
3	2.4820.085.0	2	air chamber
			(...) <- X Agroplus 75
			(...) <- X Agroplus 85
			(...) <- X Agroplus 95
3	0.012.6364.0	2	valve
			-> (...) X Agroplus 75
			-> (...) X Agroplus 85
			-> (...) X Agroplus 95

9\_77855\_21\_0\_0

Section: WHEELS  
**WHEELS 16.9R-30" a8**

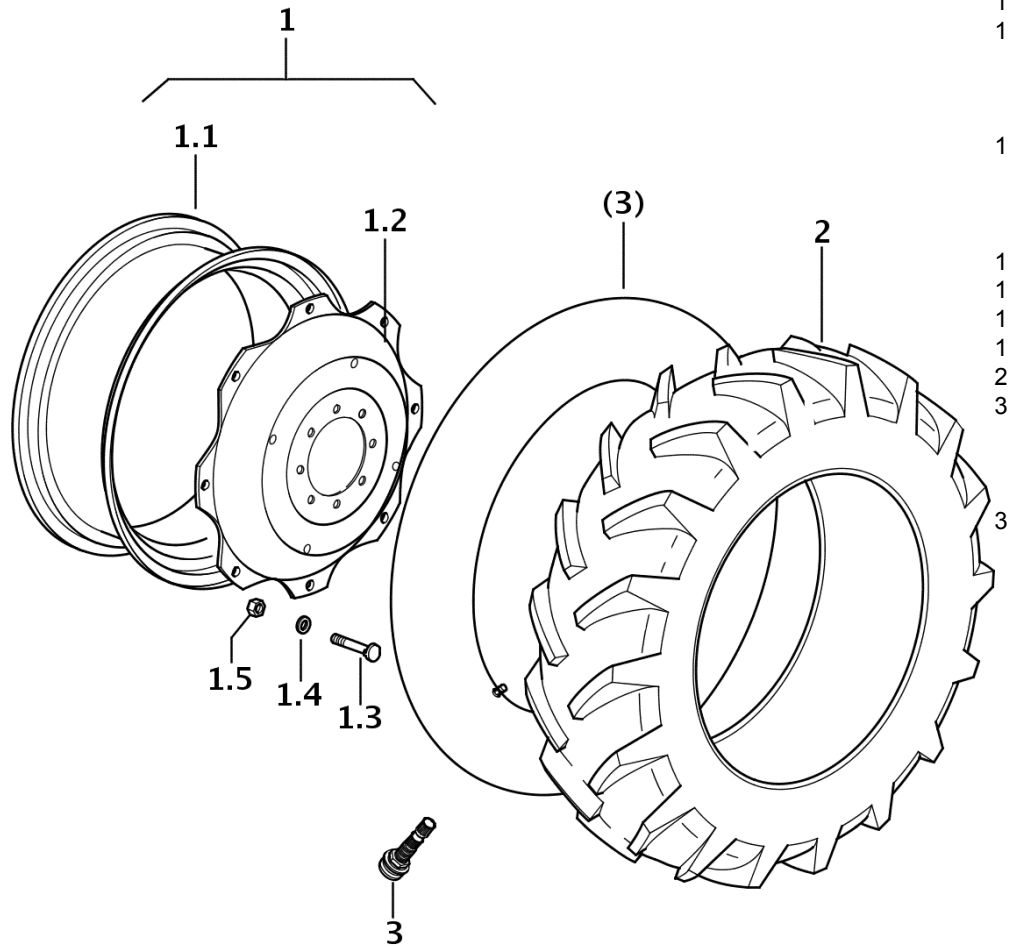


Fig.	Code	QTY	Name
1	0.000.0000.1	0	not serviceable
1.1	0.012.2930.3	1	rim DWW 16Lx30" C/ST 1930 <- X Agroplus 75 3118 <- X Agroplus 85 1929 <- X Agroplus 95
1.1	0.012.2930.3/10	1	rim DWW 15Lx30" C/ST. -> 1931 X Agroplus 75 -> 3119 X Agroplus 85 -> 1930 X Agroplus 95
1.2	0.135.5526.0/20	1	rim center flange
1.3	2.0399.204.6/10	8	screw m 18 p.1.5x80
1.4	2.1499.018.6	8	conical washer 18 x 35.5
1.5	2.1019.060.6	8	nut m 18 p.1.5
2	2.4811.055.0	2	tyre 420/85R30"(16.9R30")
3	2.4820.040.0	2	air chamber (...) <- X Agroplus 75 (...) <- X Agroplus 85 (...) <- X Agroplus 95
3	0.012.6364.0	2	valve -> (...) X Agroplus 75 -> (...) X Agroplus 85 -> (...) X Agroplus 95

9\_77755\_40\_0\_0

CLICK HERE TO **DOWNLOAD** THE COMPLETE MANUAL

- Thank you very much for reading the preview of the manual.
- You can download the complete manual from: [www.heydownloads.com](http://www.heydownloads.com) by clicking the link below



- Please note: If there is no response to CLICKING the link, please download this PDF first and then click on it.

CLICK HERE TO **DOWNLOAD** THE COMPLETE MANUAL