

Agroplus 77 -> 5001

V0 - BALLAST, TOWING HITCHES

FRONT HITCHES

FRONT TOWING HITCH.....	V0.01.0 (1)
FRONT TOWING HITCH.....	V0.01.1 (1)

REAR HITCHES

SPACER FOR TYPES WITH P.T.O. - 540/N - WITH INSERTED END SHAFTS.....	V0.02.1 (1)
SPACERS FOR P.T.O. - 540 - 750 - WITH INSERTED END SHAFTS.....	V0.02.2 (1)
SPACERS FOR P.T.O. - 540 - 750 - WITH INSERTED END SHAFTS.....	V0.02.3 (1)
SPACER FOR TYPES WITH 2-SPEED P.T.O. WITH INSERTED END SHAFTS 540-750.....	V0.02.4 (1)
SPACERS FOR P.T.O. - 540 - 750 - WITH INSERTED END SHAFTS + SYNCRO.....	V0.02.6 (1)
SEPARATOR - PTO - 3-SPEED WITH INSERTED END SHAFT.....	V0.02.7 (1)
SPACER FOR TYPES WITH PTO WITH INTERCHANGEABLE OUTPUT SHAFTS - 2 -SPEED + GROUNDSP. AND 3- SPEED.....	V0.02.8 (1)
SUPPORTS.....	V0.02.9 (1)
SUPPORTS.....	V0.02.10 (1)
PIN FOR REAR TOW HOOK.....	V0.02.11 (1)
REAR TOWING HITCH.....	V0.02.12 (1)
REAR TOWING HITCH CAT. " D ".....	V0.02.13 (1)
REAR TOWING HITCH - EXPORT CH.....	V0.02.14 (2)
REAR TOWING HITCH.....	V0.02.15 (1)
REAR TOWING HITCH BRACKET.....	V0.02.16 (1)
REAR TOWING HITCH BRACKET.....	V0.02.17 (1)
REAR TOWING HITCH BRACKET.....	V0.02.17 (2)
REAR TOWING HITCH BRACKET.....	V0.02.18 (1)
FRAME HOOK HOLDER - FOR TYPES WITH PITON-FIX.....	V0.02.19 (1)
FRAME HOOK HOLDER - FOR TYPES WITH PITON-FIX.....	V0.02.19 (2)
FRAME HOOK HOLDER - FOR TYPES WITH PITON-FIX.....	V0.02.19 (3)
FRAME HOOK HOLDER - FOR TYPES WITH PITON-FIX.....	V0.02.20 (1)
REAR TOWING HITCH CAT. " C ".....	V0.02.21 (2)
REAR TOWING HITCH CEE.....	V0.02.22 (2)
REAR TOWING HITCH CAT. " D ".....	V0.02.23 (2)
REAR TOWING HITCH CAT. " D2 ".....	V0.02.24 (2)
REAR TOWING HITCH CAT. " D2 ".....	V0.02.25 (1)
AUTOMATIC REAR TOWING HITCH CEE Ø 31.....	V0.02.26 (1)
DRAWBAR COUPLING AUTOM. Ø 38.....	V0.02.27 (2)
REAR TOWING HITCH CEE.....	V0.02.28 (1)
REAR TOWING HITCH CEE.....	V0.02.29 (1)
REAR SWINGING TOWING-HITCH.....	V0.02.31 (1)
REAR SWINGING TOWING-HITCH.....	V0.02.32 (1)
REAR SWINGING TOWING-HITCH.....	V0.02.33 (1)
PICK-UP-HITCH - MECHANICAL.....	V0.02.35 (1)
DRAWBAR COUPLING mm 38.....	0.014.4449.3/20.A
DRAWBAR COUPLING mm 38.....	0.014.4449.3/30.A

CLICK HERE TO **DOWNLOAD** THE COMPLETE MANUAL

- Thank you very much for reading the preview of the manual.
- You can download the complete manual from: www.heydownloads.com by clicking the link below



- Please note: If there is no response to CLICKING the link, please download this PDF first and then click on it.

CLICK HERE TO **DOWNLOAD** THE COMPLETE MANUAL

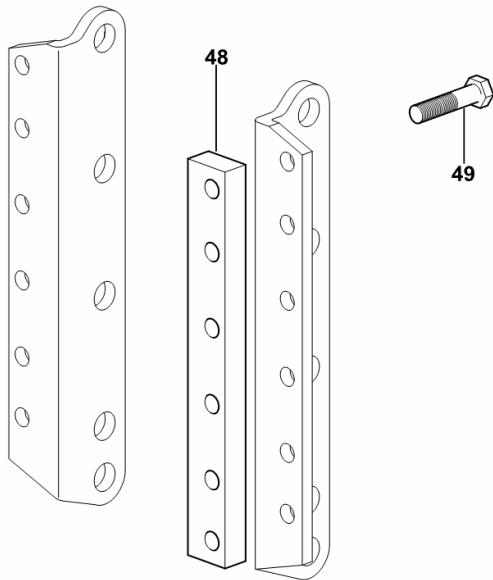
SPACER FOR TYPES WITH PTO WITH INTERCHANGEABLE OUTPUT SHAFTS - 2-SPEED + GROUNDSP. AND 3- SPEED

Fig.	Code	QTY	Name
------	------	-----	------

Notes:

[Agroplus 77 -> 5001]

48	0.011.3480.0	2	spacer 45 x 365 x 25
49	2.0112.623.2	12	screw m 16 p.2 x 70



9_H6036_05_0-C-001

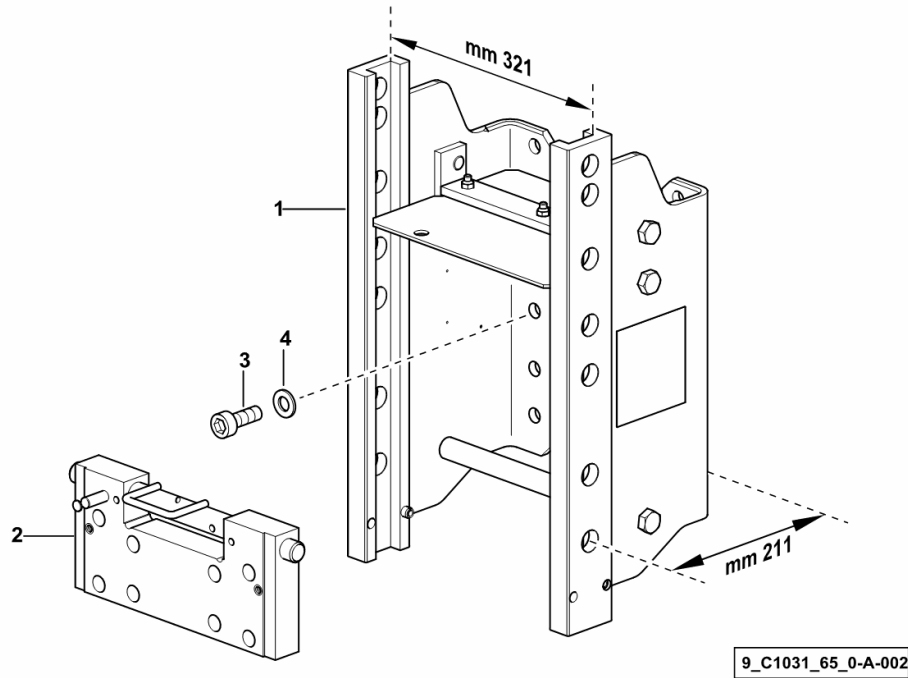
REAR TOWING HITCH BRACKET

Fig.	Code	QTY	Name
------	------	-----	------

Notes:

[Agroplus 77 -> 5001]

1	0.015.5752.3	1	chassis frame V.ORLANDI CAT. " D2 "
2	0.014.4485.3	1	plate - V.ORLANDI - 0.014.4485.3
3	2.0314.614.2	12	screw m 16 p.2 x 40
4	2.1475.006.2	12	washer 16



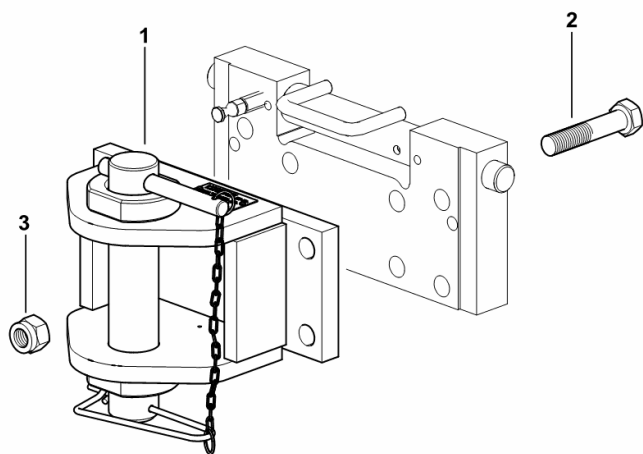
REAR TOWING HITCH CAT. " D2 "

Fig.	Code	QTY	Name
------	------	-----	------

Notes:

[Agroplus 77 -> 5001] -> 5072

1	0.014.4461.3	1	clevis V.ORLANDI CAT. " D2 " ☞ 0.014.4461.3
2	2.0112.727.2	4	screw m 18 p.2.5 x 90
3	2.1129.014.2	4	nut m 18 p.2.5



9_F0331_72_0-A-001

DRAWBAR COUPLING mm 38

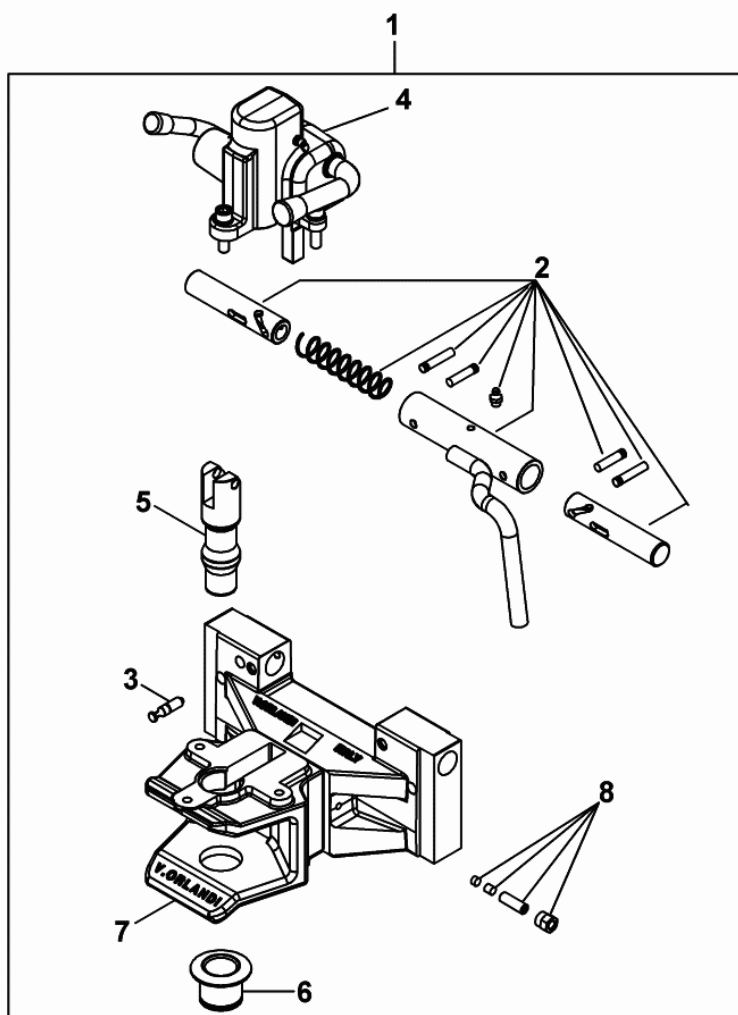


Fig.	Code	QTY	Name
1	0.014.4449.3/30	1	clevis V.ORLANDI - CEE Ø 38
2	0.900.0525.4	1	sub-assy parts
3	0.900.0307.1	1	smau pin
4	0.900.0307.3	1	accessories
5	0.900.0307.4	1	pin mm 38
6	0.900.0307.5	1	sleeve
7	0.000.0000.1	0	not serviceable
8	0.900.0525.3	1	sub-assy parts

0_014_4449_3_30

TRAILER STAND - DRAWBAR COUPLING

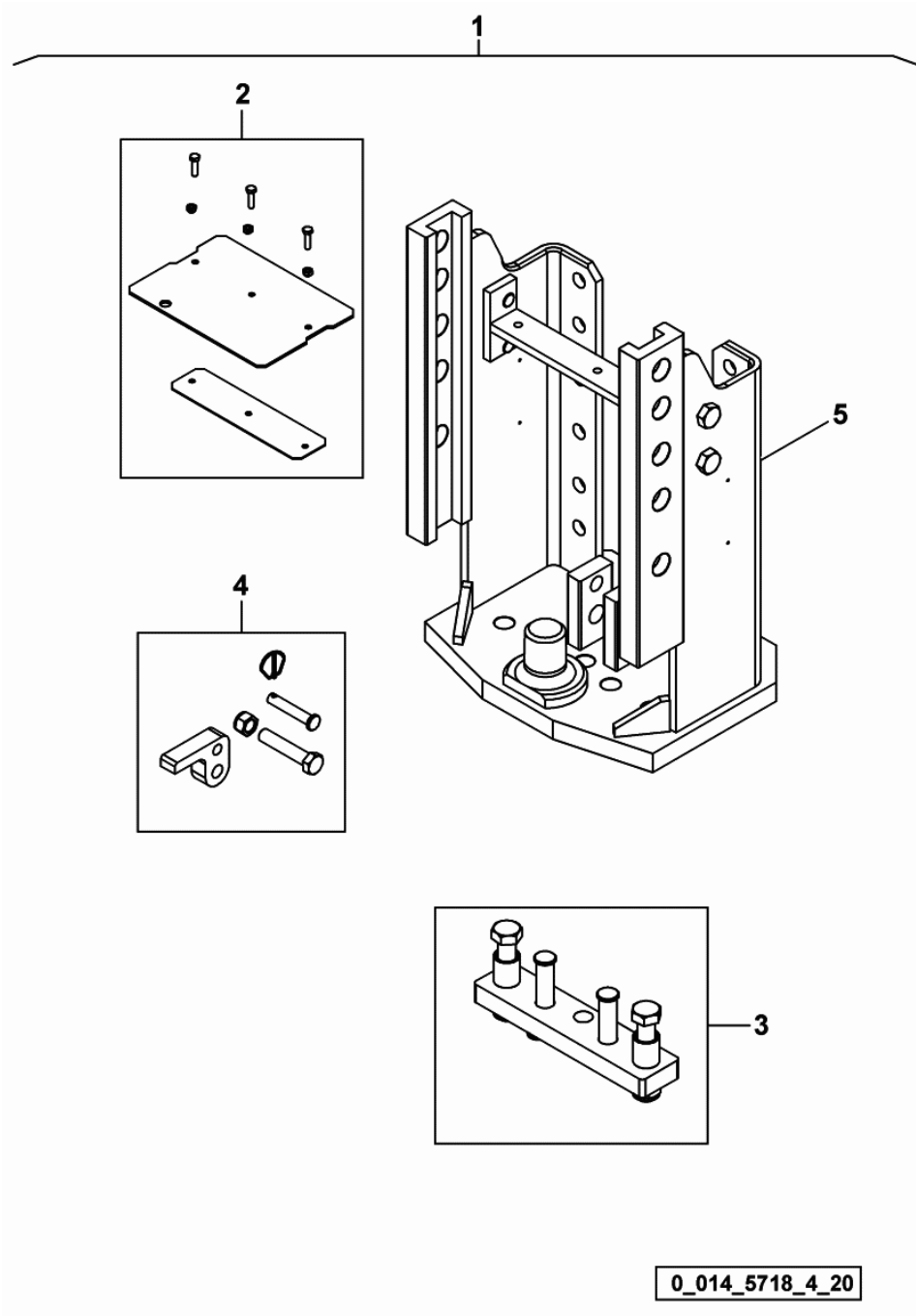


Fig.	Code	QTY	Name
1	0.014.5718.4/20	1	chassis frame
2	0.900.0458.6	1	shield
3	0.900.0458.7	1	support
4	0.900.0458.8	1	small block
5	0.000.0000.1	0	not serviceable

0_014_5718_4_20

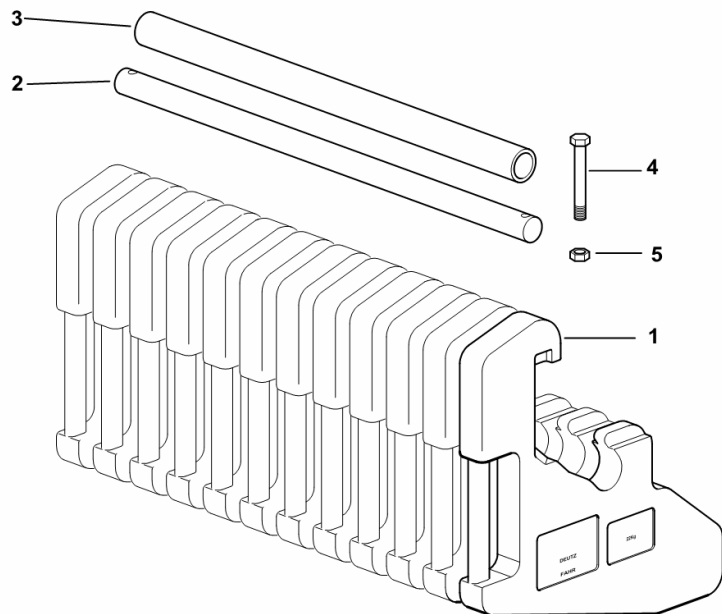
BALLAST 264 Kg

Fig.	Code	QTY	Name
------	------	-----	------

Notes:

[Agroplus 77 -> 5001]

1	0.010.5447.0/10	12	ballast 22 Kg
2	0.010.7132.0	1	pin
3	0.010.7133.0	1	tube
4	2.0112.331.2	2	screw m 10 p.1.5x110
5	2.1019.136.2	2	nut m 10



9_68452_40_0-A-001

LIFT CONTROLS

LIFT CONTROL LEVERS..... G0.17.1 (1)
TIE RODS FOR LIFT CONTROL LEVERS.....G0.17.2 (1)
SLIDER FOR LIFT CONTROL LEVERS.....G0.17.3 (1)
S.A.C. GROUND CONTROL..... G0.17.5 (1)

REMOTE VALVE CONTROLS

CONTROLS FOR 6-WAY AUXILIARY SERVICES CONTROL VALVE..... G0.18.4 (1)
CONTROLS FOR 6-WAY AUXILIARY SERVICES CONTROL VALVE..... G0.18.5 (1)
CONTROLS FOR 6-WAY AUXILIARY SERVICES CONTROL VALVE..... G0.18.6 (1)
OIL REGULATOR CONTROL..... G0.18.7 (1)

ACCESSORIES

SUN BLIND..... G0.19.0 (1)
SUN BLIND..... G0.19.1 (1)
LICENCE PLATE HOLDER..... G0.19.2 (1)
NUMBER PLATE HOLDER FASTENERS..... G0.19.3 (1)
METAL TOOLBOX..... G0.19.4 (1)
TRIANGLE SUPPORT..... G0.19.6 (1)
TRIANGLE SUPPORT..... G0.19.7 (1)
TRIANGLE SUPPORT..... G0.19.10 (1)
TRIANGLE SUPPORT..... G0.19.10 (2)
HOLDING DEVICE - WHEEL CHOCK..... G0.19.11 (1)
LUBRICATOR..... G0.19.12 (1)

SAFETY ROLL BAR

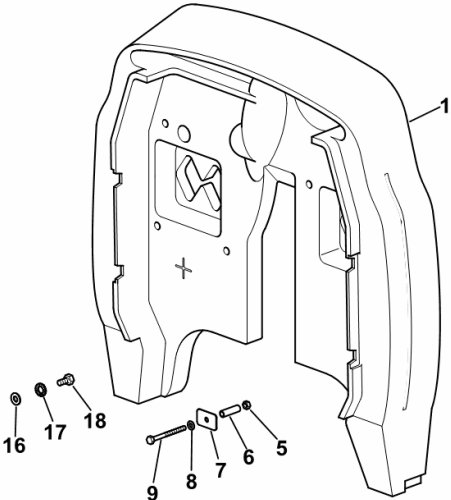
FIXED SAFETY ROLL BAR..... G0.20.0 (1)
SAFETY ARCH FOLDING..... G0.20.1 (1)

CONNECTION FRAME

Fig.	Code	QTY	Name
------	------	-----	------

Notes:
 - FOR MODELS WITH PLATFORM [Agroplus 77 -> 5001]

1	0.013.1192.2	1	frame
5	2.1142.010.2	9	insert m 6
6	2.1549.264.2	9	spacer 7x10x34
7	2.1369.002.2	9	small plate 25x40x2
8	2.1310.002.2	9	washer 6.6, d125
9	2.0399.161.3	9	screw m 6 x 70
16	2.1310.004.2	2	flat washer 8.5
17	2.1470.004.2	2	washer 8
18	2.0112.205.2	2	screw m 8 p.1.25 x 16



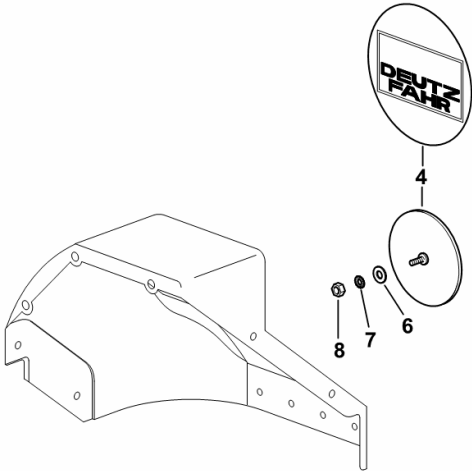
9_C0874_03_0-A-001

BADGE FOR SPLASH GUARDS DEUTZ-FAHR

Fig.	Code	QTY	Name
------	------	-----	------

Notes:
[Agroplus 77 -> 5001]

4	2.3199.281.0	2	cover Deutz Fahr
6	2.1312.003.2	2	washer 6
7	2.1470.002.2	2	washer 6, d128
8	2.1011.103.2	2	nut m 6 p.1



9_78476_10_0-A-001

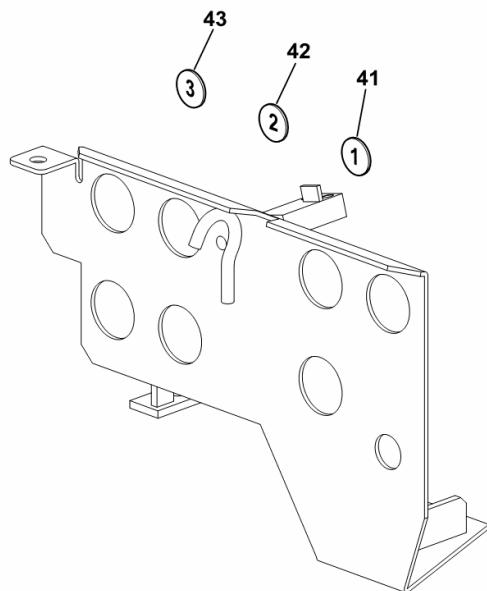
DECALS WITH 6 WAY AUXILIARY CONTROL VALVE

Fig.	Code	QTY	Name
------	------	-----	------

Notes:

- FOR TYPES WITH MECHANICAL REAR LIFT [Agroplus 77 -> 5001]

41	2.9929.412.0	1	plate 1
42	2.9929.413.0	1	plate 2
43	2.9929.414.0	1	plate 3



9_C0988_25_0-C-001

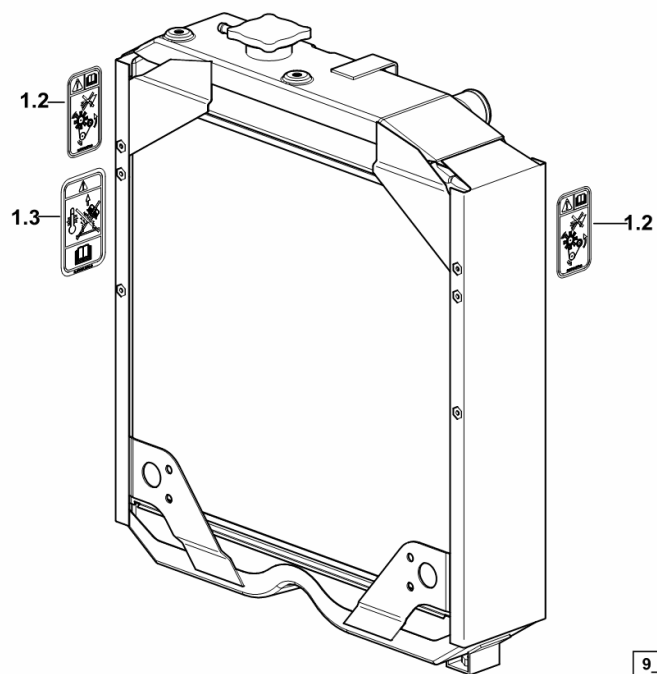
WARNING SIGNS ON WATER RADIATOR

Fig.	Code	QTY	Name
------	------	-----	------

Notes:

[Agroplus 77 -> 5001]

1.2	2.9939.273.0	2	plate
1.3	2.9939.280.0	1	plate



9_C1283_00_0-C-001

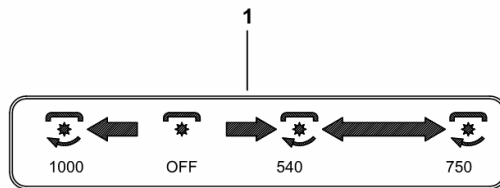
PTO DATA PLATE 540 - 750 - 1000

Fig.	Code	QTY	Name
------	------	-----	------

Notes:

[Agroplus 77 -> 5001]

1	2.9929.921.0	1	plate 540 - 750 - 1000
---	--------------	---	------------------------



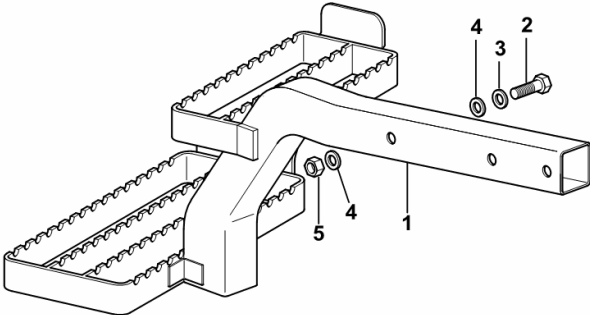
9_C1236_09_0-A-001

LADDER - DX/RH/RE

Fig.	Code	QTY	Name
------	------	-----	------

Notes:
 [Agroplus 77 -> 5001]

1	0.013.4021.3/10	1	climbing steps dx/rh/re
2	2.0112.322.2	1	screw m 10 p.1.5x65
3	2.1470.006.2	1	lock washer 10
4	2.1312.005.2	2	washer 10.2
5	2.1011.106.2	1	nut m 10 p.1.5



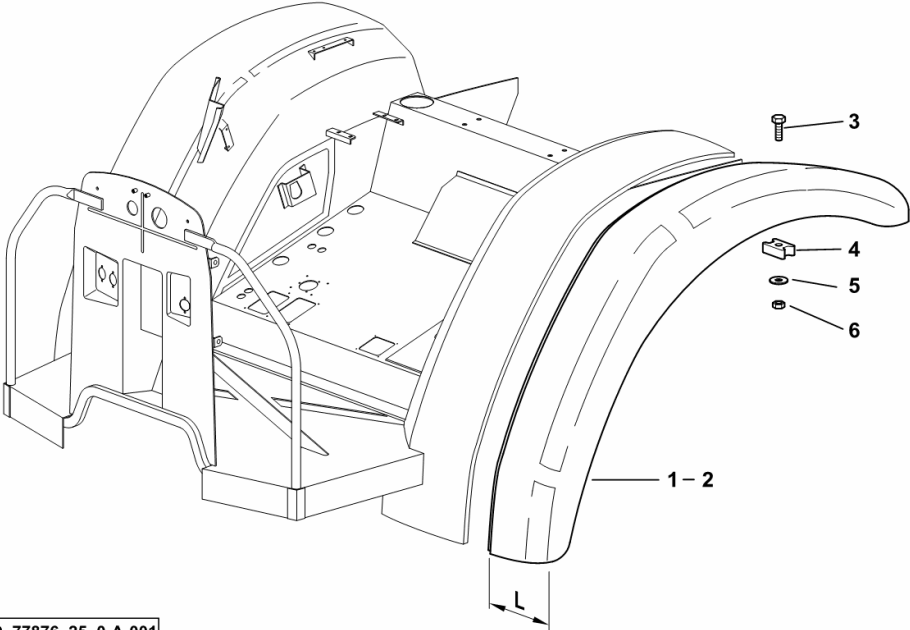
9_64876_06_0-A-001

MUDGUARDS EXTENSIONS L=180

Fig.	Code	QTY	Name
------	------	-----	------

Notes:
 [Agroplus 77 -> 5001]

1	0.010.7564.0/20	1	extension dx/rh/re
2	0.010.7565.0/20	1	extension sx/lh/li
3	2.0112.207.2	18	screw m 8 p 1.25 x 20
4	0.007.5537.0	18	small block
5	2.1312.004.2	18	washer 8.4
6	2.1120.105.2	18	selflock nut m 8 p.1.25



9_77876_25_0-A-001

Section: G0 - BODYWORK - CAB
GLASSES AND SEALS

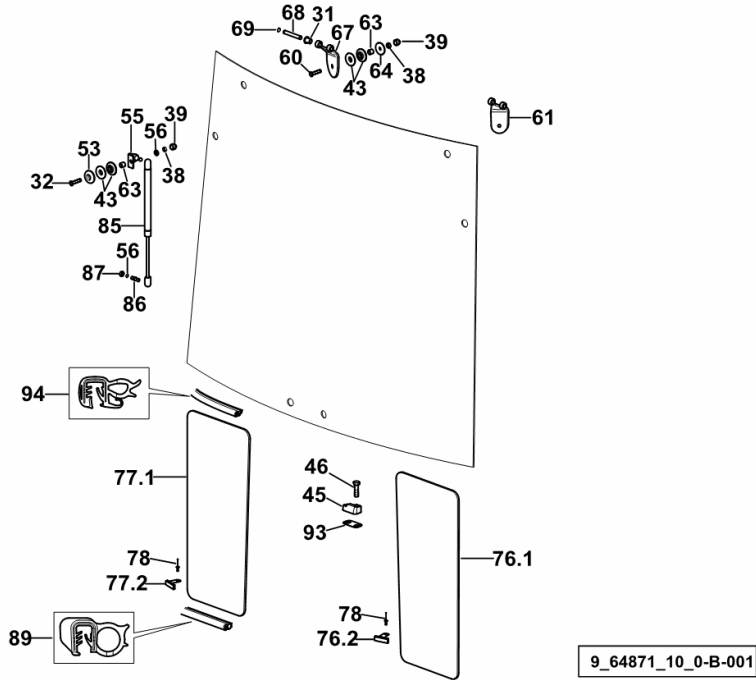


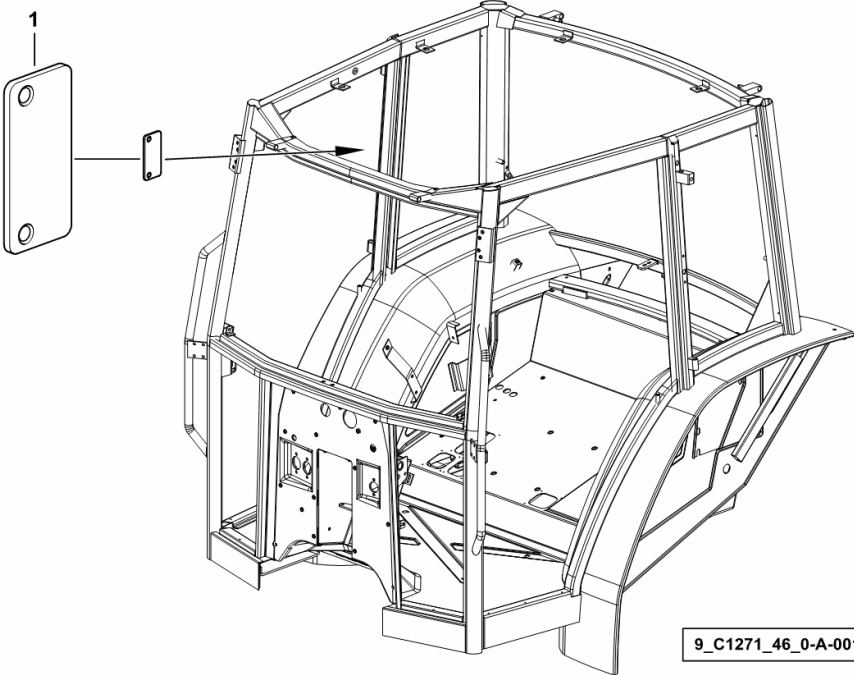
Fig.	Code	QTY	Name
Notes:			
[Agroplus 77 -> 5001] 5023 <-			
31	2.1559.147.0	16	bushing 10 x 28 x 18
32	2.0349.002.3	6	screw m 8 p.1.25 x 30
38	2.1120.105.2	14	selflock nut m 8 p.1.25
39	0.163.7856.0	14	cap
43	0.009.0422.0	20	gasket
45	0.007.6348.0/20	1	stop
46	2.0312.104.2	2	screw m 6 p.1 x 16
53	2.1499.093.0/10	6	washer 8.5
55	0.007.6188.2	4	bracket
56	2.1310.004.2	6	flat washer 8.5
60	2.0349.003.3	12	screw m 8 p.1.25 x 35
61	0.007.6347.2/10	1	hinge sx/lh/li (5023 <-)
61	0.015.0084.2/10	1	hinge sx/lh/li
63	2.1579.450.2	4	spacer 8.5 x 14 x 12
64	2.1599.495.2	4	washer 8.5
67	0.007.6346.2/10	1	hinge dx/rh/re (5023 <-)
67	0.015.0063.2/10	1	hinge dx/rh/re
68	2.1699.428.2	2	pin 9.6 x 71.5
69	2.1410.001.1	8	circlip 10
76.1	0.009.7697.0/30	1	window glass
76.2	0.009.7708.0	1	small spring
77.1	0.009.7697.0/30	1	window glass
77.2	0.009.7708.0	1	small spring
78	2.1855.110.0	6	rivet 4.2
85	0.009.8629.2	2	shoch.absorber mm 405.5 (5009 <-)
85	0.010.6269.0	2	shoch.absorber mm 585 (-> 5014)
86	0.009.8760.0	6	ball joint
87	2.1011.105.2	2	nut m 8 p.1.25
89	0.015.4666.0	19.5	gasket
93	0.010.4364.0	1	shim
94	0.015.6332.0	3.5	gasket

WINDOW FIXING PLATE

Fig.	Code	QTY	Name
------	------	-----	------

Notes:
[Agroplus 77 -> 5001]

1	0.010.5567.0	1	small plate
---	--------------	---	-------------



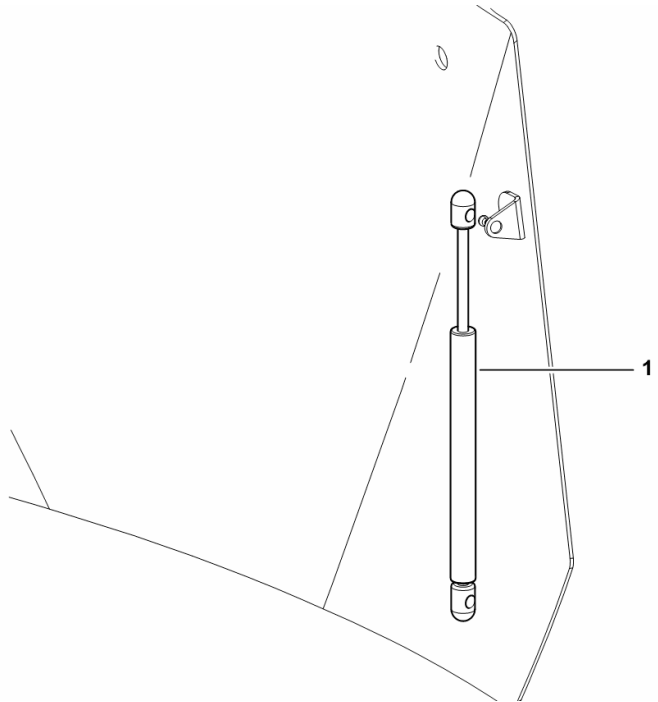
DAMPER FOR REAR WINDOW HATCH

Fig.	Code	QTY	Name
------	------	-----	------

Notes:

- FOR "HIGH VISIBILITY" CAB [Agroplus 77 -> 5001]

1	0.010.6267.0	2	shoch.absorber
---	--------------	---	----------------



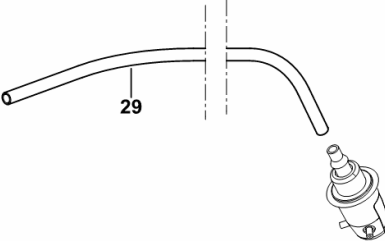
9_77871_12_0-A-001

SCREEN WASH SYSTEM

Fig.	Code	QTY	Name
------	------	-----	------

Notes:
[Agroplus 77 -> 5001] -> 5067

29	0.011.3963.0	0.65	tube
----	--------------	------	------



9_H1271_30_0-B-002

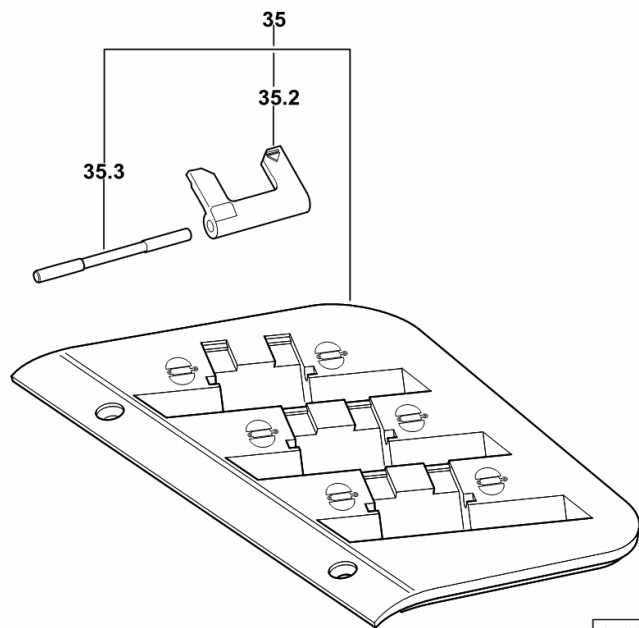
CONTROL CONSOLE FOR 6-WAY REMOTE VALVE

Fig.	Code	QTY	Name
------	------	-----	------

Notes:

[Agroplus 77 -> 5001]

35	0.007.6836.4	1	front grille
35.2	0.007.6690.0/20	3	stop
35.3	2.1699.561.0/10	3	pin



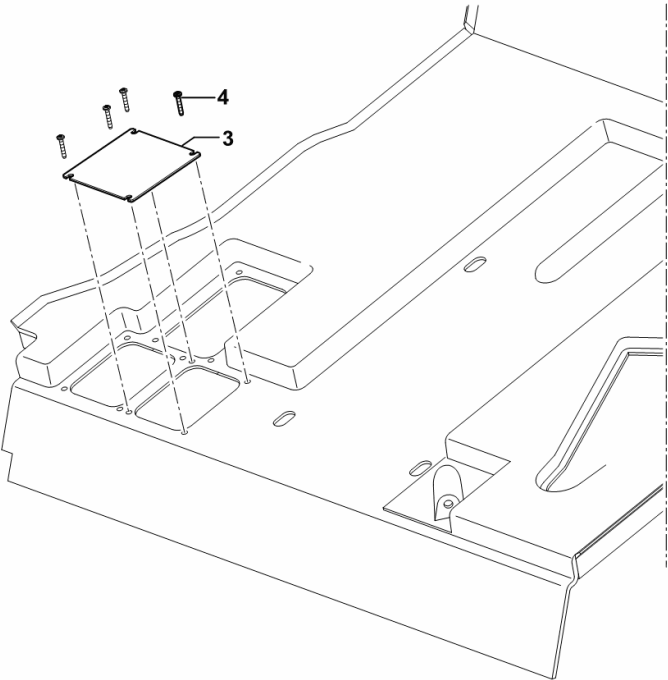
9_68488_32_0-B-001

FLOOR PLUG

Fig.	Code	QTY	Name
------	------	-----	------

Notes:
[Agroplus 77 -> 5001]

3	0.009.7288.0/10	1	lamination
4	2.0350.257.6	4	screw 3.5x22



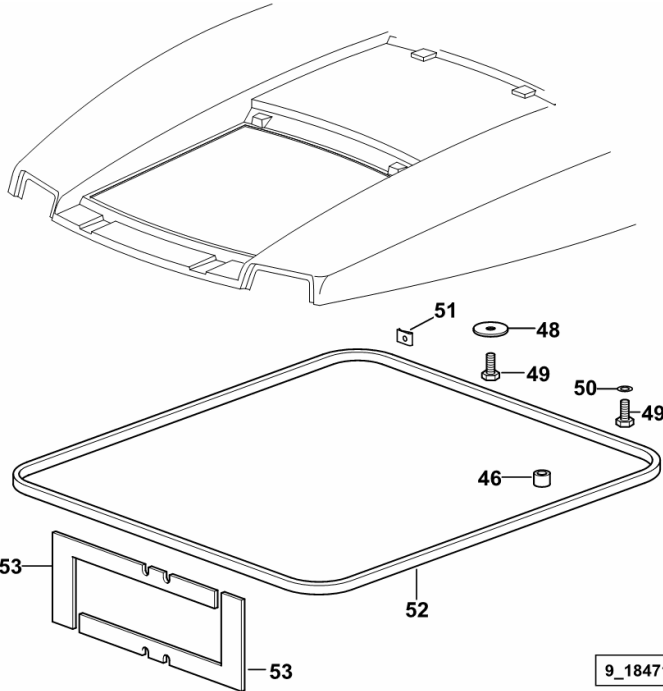
9_F0271_21_0-A-001

ROOF COVERING FOR SKYLIGHT

Fig.	Code	QTY	Name
------	------	-----	------

Notes:
 HIGHT VISIBILITY - FOR TRACTORS WITH AIR HEATING [Agroplus 77 -> 5001]

46	2.1579.450.2	2	spacer 8.5 x 14 x 12
48	2.1599.584.2	6	snoulder 9 x 30 x 2
49	2.0112.205.2	8	screw m 8 p.1.25 x 16
50	2.1312.004.2	2	washer 8.4
51	2.6999.041.0	1	small spring
52	0.013.4027.0	5	gasket
53	0.010.0756.0/10	2	gasket

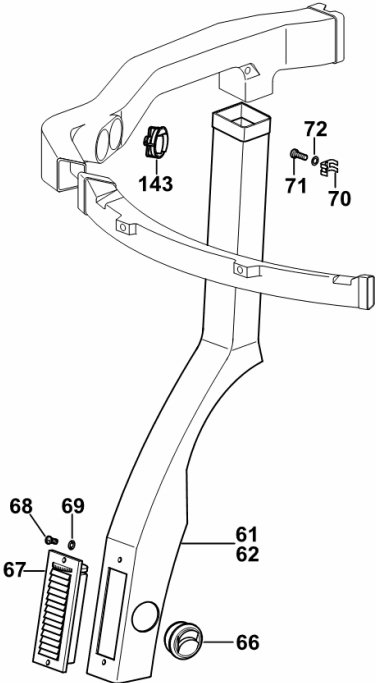


AIR GUIDANCE

Fig.	Code	QTY	Name
------	------	-----	------

Notes:
 - WITH "HIGH VISIBILITY" CAB [Agroplus 77 -> 5001]

61	0.011.1199.2	1	tube sx/lh/li
62	0.011.1206.2	1	tube dx/rh/re
66	0.009.0455.4	2	tongue mm 67.5
67	0.009.0510.4	2	tongue
68	2.0350.255.3	4	screw m 3.5 x 16 -AB-
69	0.98706.85.0	4	small spring
70	0.011.1200.0/10	4	small spring
71	2.0332.203.2	8	screw m 4 x 10
72	2.1312.001.2	8	washer 4
143	0.011.4330.2/10	4	tongue mm 68



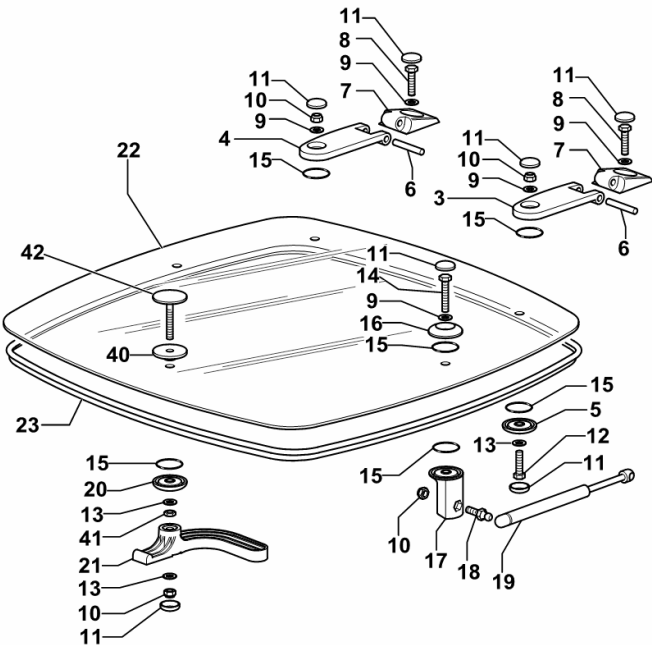
9_64771_22_0-C-001

Section: G0 - BODYWORK - CAB
SKYLIGHT WITH GLASS

Fig.	Code	QTY	Name
------	------	-----	------

Notes:
HIGHT VISIBILITY - FOR TRACTORS WITH AIR HEATING [Agroplus 77 -> 5001]

3	0.010.7525.0	1	hinge dx/rh/re
4	0.010.6479.0	1	hinge sx/lh/li
5	04411716	2	washer
6	2.1699.486.2	2	pin
7	0.010.6480.0	2	hinge
8	2.0112.210.2	2	screw m 8 p.1.25 x 28
9	2.1310.004.2	24	flat washer 8.5
10	2.1120.005.2	6	nut m 8 p.1.25
11	04413793	9	cap
12	2.0112.211.2	2	screw m 8 p.1.25 x 30
13	2.1310.004.2	4	flat washer 8.5
14	2.0112.215.2	2	screw m 8 p.1.25 x 40
15	2.1530.078.0	9	'o' ring 29.74x3.53
16	04411716	2	washer
17	0.010.7738.0/10	2	support
18	04399070	2	ball joint
19	04414159	2	shoch.absorber
20	04411716	1	washer
21	0.010.6477.0	1	handle
22	0.011.1010.0/20	1	cover
23	0.011.1290.0	1	gasket
40	0.010.7737.0	1	gasket
41	2.1011.105.2	1	nut m 8 p.1.25
42	0.010.7736.2	1	screw



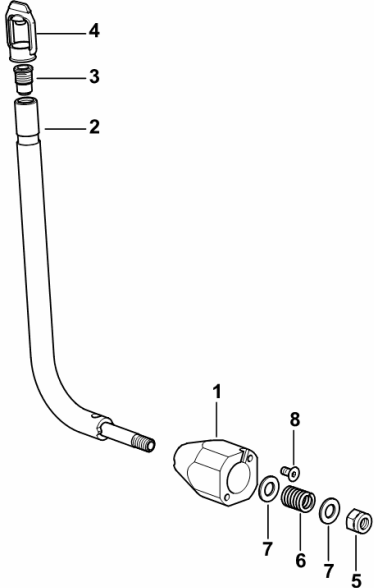
9_18471_70_0-A-001

Section: G0 - BODYWORK - CAB
FLASHING LIGHT SUPPORT

Fig.	Code	QTY	Name
------	------	-----	------

Notes:
 - FOR "HIGH VISIBILITY" CAB [Agroplus 77 -> 5001]

1	0.010.6993.0/10	1	support
2	0.010.6992.2/10	1	tube
3	2.6039.017.0	1	socket
4	0.009.6650.0	1	cap
5	2.1120.008.2	1	selflock nut m 14 p.1.75
6	2.4019.664.2	1	spring
7	2.1310.009.2	2	flat washer 14
8	2.0342.303.6	2	screw m 8 p. 1.25x16



9_68471_34_0-A-001

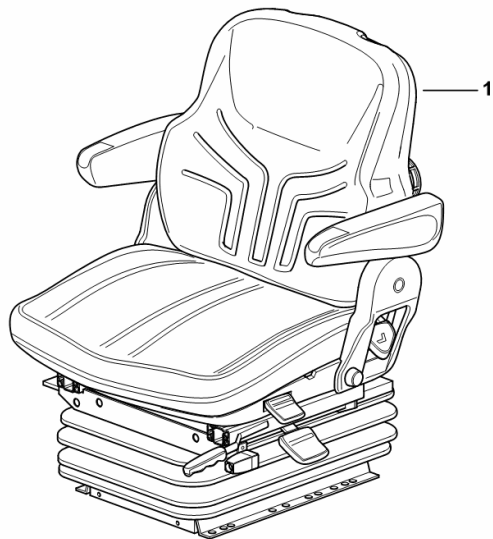
DRIVER'S SEAT - PNEUMATIC SPRINGING MSG 95A/721

Fig.	Code	QTY	Name
------	------	-----	------

Notes:

- IN FABRIC [Agroplus 77 -> 5001]

1	0.014.3061.4/20	1	sprung seat MSG 95A/721 - IN FABRIC ☞ 0.014.3061.4/20 ☞ 0.014.3061.4/20
---	-----------------	---	----------------------------------------------------------------------------------



9_F0275_01_0-A-001

Section: G0 - BODYWORK - CAB
SEAT-COMPONENTS

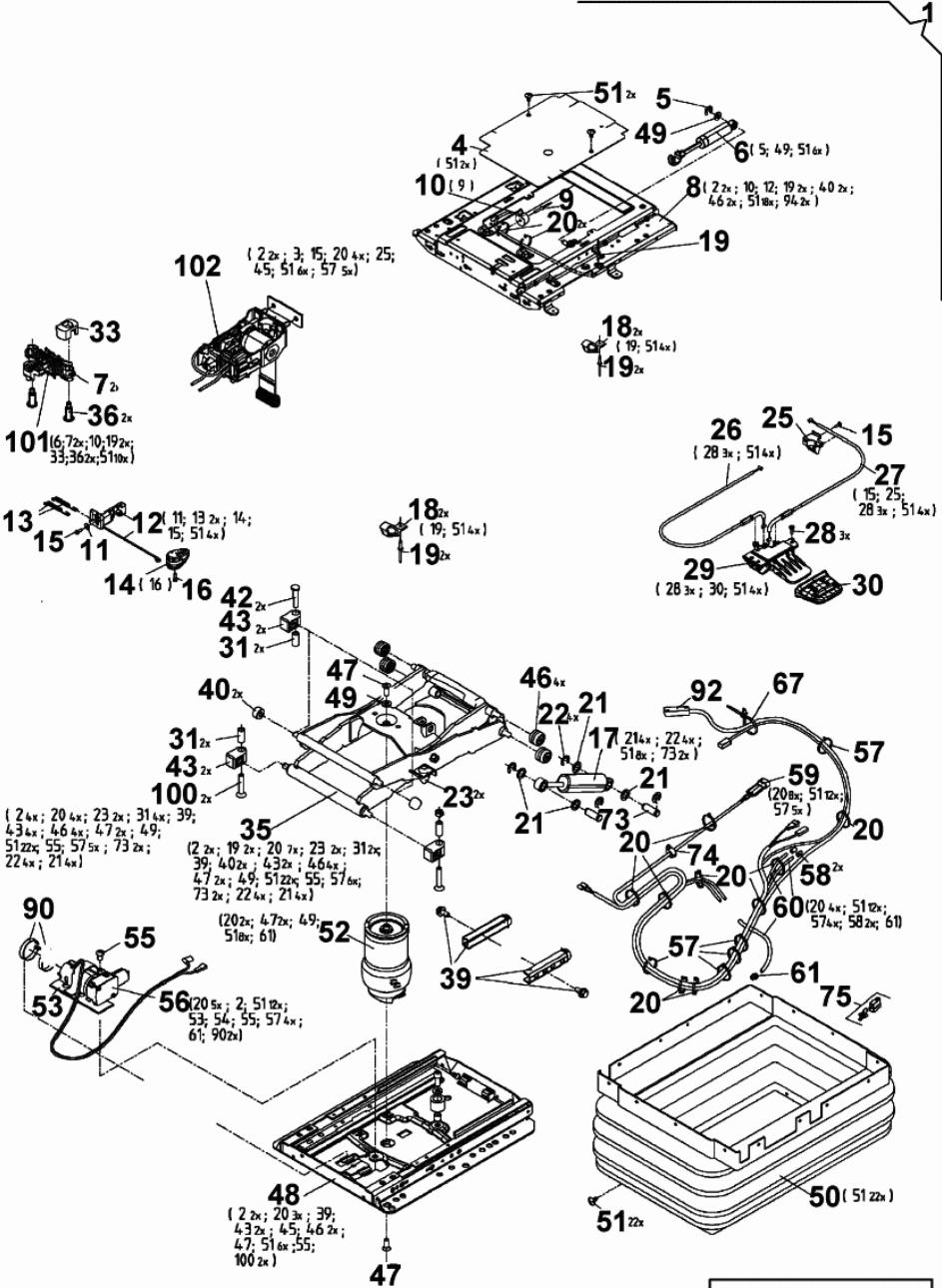


Fig.	Code	QTY	Name
56	0.900.0134.2	1	gear compressor
57	0.000.0000.1	0	not serviceable
58	0.000.0000.1	0	not serviceable
59	0.010.2274.2	1	wire
60	0.900.0134.5	1	wire
61	0.000.0000.1	0	not serviceable
67	0.000.0000.1	0	not serviceable
73	0.000.0000.1	0	not serviceable
74	0.010.3556.1	1	wire guide
75	0.009.4381.1	1	connection
90	0.000.0000.1	0	not serviceable
92	0.000.0000.1	0	not serviceable
100	0.000.0000.1	0	not serviceable
101	0.900.0134.0	1	seat support
102	0.900.0371.2	1	lever

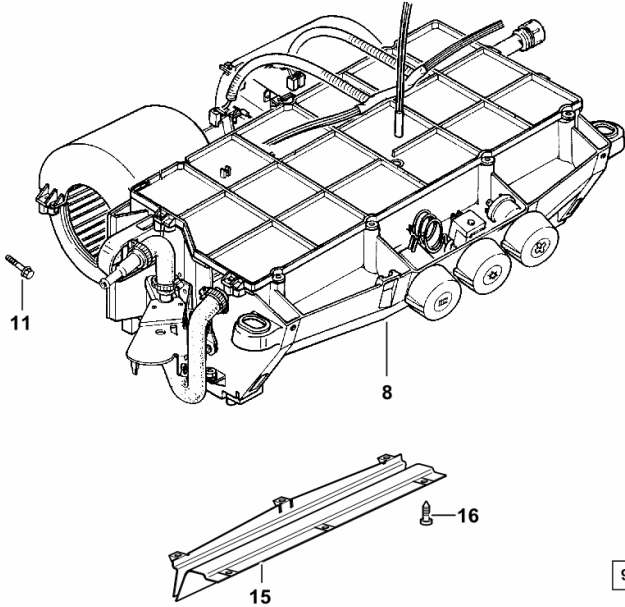
0_014_3061_4_20_E

VENTILATION - AIR CONDITIONING - HEATING

Fig.	Code	QTY	Name
------	------	-----	------

Notes:
 - FOR TYPES WITH HEATING AND AIR CONDITIONING [Agroplus 77 -> 5001] -> 5054

8	0.010.9215.4/20	1	conditioner (5063 <-)
8	0.010.9215.4/30	1	conditioner (-> 5071) ☞ 0.010.9215.4/30
11	2.0112.213.2	4	screw m 8 p.1.25 x 35
15	0.013.3352.0	1	blower
16	2.0350.253.6	6	screw m 3.5 x 9.5



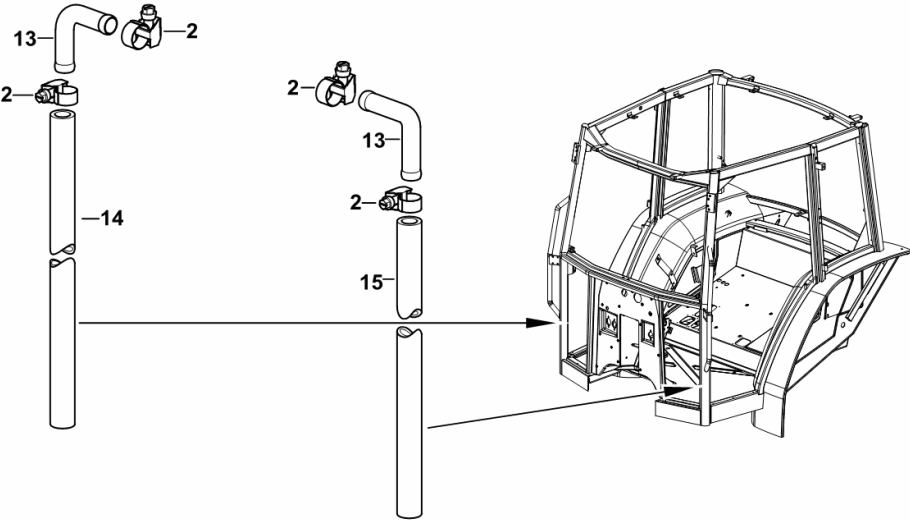
9_H1371_65_0-G-001

Section: G0 - BODYWORK - CAB
PIPES FOR HEATING SYSTEM

Fig.	Code	QTY	Name
------	------	-----	------

Notes:
 - FOR MODELS WITH CAB - "HIGH VISIBILITY" [Agroplus 77 -> 5001]

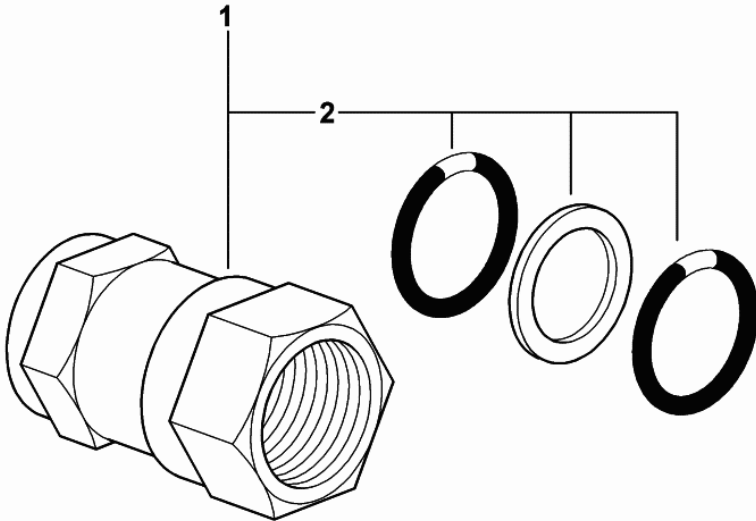
2	2.6851.001.0	6	clamp Ø 16/25
13	0.011.3588.0	2	pipe fitting
14	0.009.1822.0	1	tube Ø mm 14x22x2300
15	0.009.1822.0	1	tube Ø mm 14x22x2300



9_65086_18_0-B-001

ENGAGEMENT

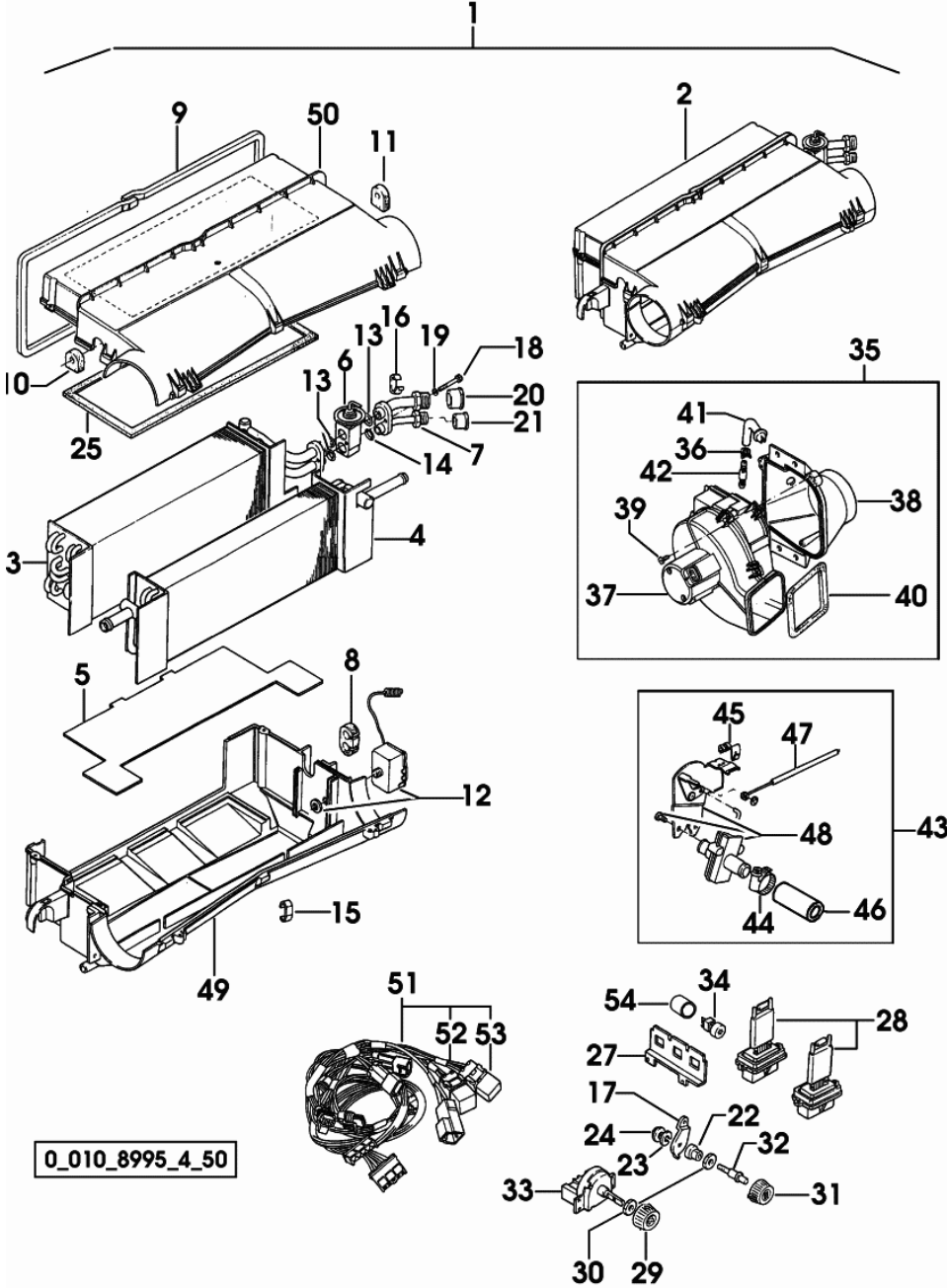
Fig.	Code	QTY	Name
1	0.009.7202.4/20	1	connection 1-1/4"-18UN
2	0.900.0267.8	1	seal ring kit 1.78x28.3



0_009_7202_4_20

Section: G0 - BODYWORK - CAB
AIR CONDITIONER PARTS

Fig.	Code	QTY	Name
46	0.010.2561.2	1	tube
47	0.015.0185.2	1	cabl
48	0.010.2151.1	1	cock or tap
49	0.012.1581.0	1	box
50	0.012.1594.0	1	box
51	0.010.2560.0	1	wire
52	0.010.3317.2	2	relay 15A NA BROWN
53	0.010.3318.0	1	relay 20A NA WHITE
54	0.900.0061.2	1	bushing



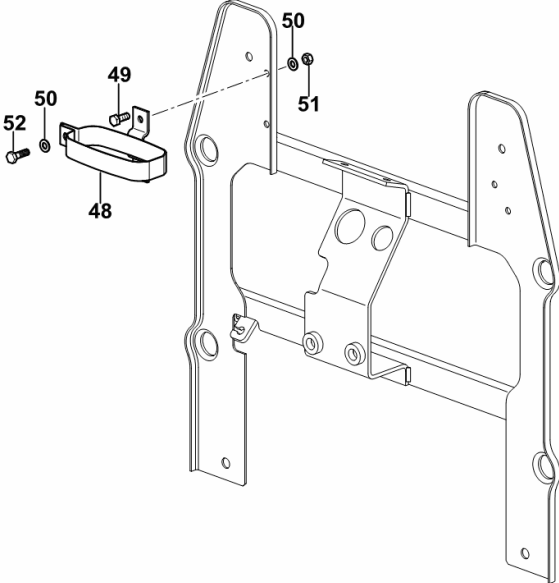
0_010_8995_4_50

OIL TANK SUPPORT

Fig.	Code	QTY	Name
------	------	-----	------

Notes:
 [Agroplus 77 -> 5001]

48	0.270.6656.2	1	clamp
49	2.0112.005.2	6	screw m 6 p.1 x 16
50	2.1310.002.2	7	washer 6.6, d125
51	2.1011.103.2	2	nut m 6 p.1
52	2.0112.007.2	1	screw m 6 p.1 x 20



9_H5672_00_0-B-001

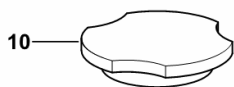
STEERING WHEEL CAP

Fig.	Code	QTY	Name
------	------	-----	------

Notes:

- FOR MODELS WITH PLATFORM [Agroplus 77 -> 5001]

10	0.009.7210.0	1	plug
----	--------------	---	------



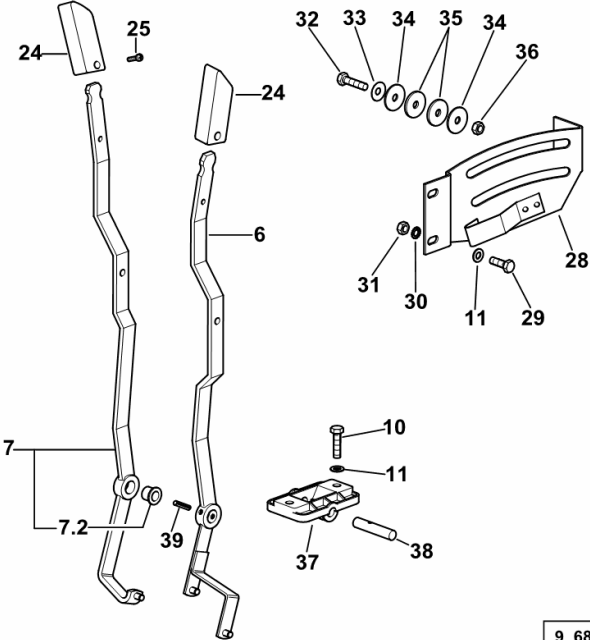
9_68468_01_0-B-001

Section: G0 - BODYWORK - CAB
LIFT CONTROL LEVERS

Fig.	Code	QTY	Name
------	------	-----	------

Notes:
[Agroplus 77 -> 5001]

6	0.010.5316.3/10	1	lever
7	0.010.5317.3	1	lever
7.2	2.1559.243.0	1	bushing 12x16x15
10	2.0112.211.2	2	screw m 8 p.1.25 x 30
11	2.1310.004.2	5	flat washer 8.5
24	0.010.5312.0/10	2	knob
25	2.0322.406.6	2	screw m 6 p.1.0 x 16
28	0.011.7080.3	1	plate
29	2.0112.207.2	3	screw m 8 p 1.25 x 20
30	2.1470.004.2	3	washer 8
31	2.1011.105.2	3	nut m 8 p.1.25
32	2.0112.213.2	2	screw m 8 p.1.25 x 35
33	2.4099.053.7	2	spring 8.2 x 23 x 0.7
34	2.1599.245.0	4	snoulder 8.5 x 32 x 2.0
35	0.9030.672.0	4	ring 8.5 x 32 x 3.0
36	2.1019.133.2	2	nut m 8
37	0.010.4185.0	1	support
38	2.1699.457.2/10	1	pin 12x61
39	2.1630.451.2	1	pin 4 x 26



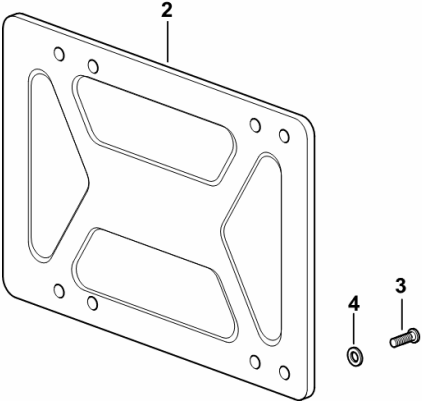
9_68459_51_0-A-001

LICENCE PLATE HOLDER

Fig.	Code	QTY	Name
------	------	-----	------

Notes:
[Agroplus 77 -> 5001]

2	0.467.7696.3	1	plate holder
3	2.0332.304.2	4	screw m 5 p.0.8 x 12
4	2.1310.001.2	4	flat washer 5.3



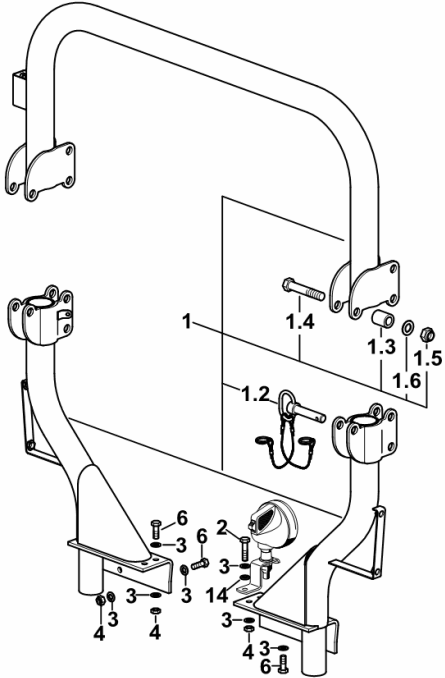
9_49076_60_0-A-001

Section: G0 - BODYWORK - CAB
SAFETY ARCH FOLDING

Fig.	Code	QTY	Name
------	------	-----	------

Notes:
[Agroplus 77 -> 5001]

1	0.013.3645.4/10	1	safety frame
1.2	0.010.4049.4	2	pin
1.3	2.1549.332.2/10	2	spacer 20.8x35x42.5
1.4	2.0119.216.2	2	screw m 20 p.2.5 x 110
1.5	2.1120.011.2	2	nut m 20 p.2.5
1.6	2.1310.013.2	2	flat washer 21x37
2	2.0112.419.2	1	screw m 12 p.1.75 x 50
3	2.1310.007.2	14	flat washer 13.5
4	2.1011.107.2	6	nut m 12 p.1.75
6	2.0112.413.2	7	screw m 12 p.1.75x35
14	2.1579.838.2	1	spacer 13.2x25x10



9_D1578_00_0-A-001

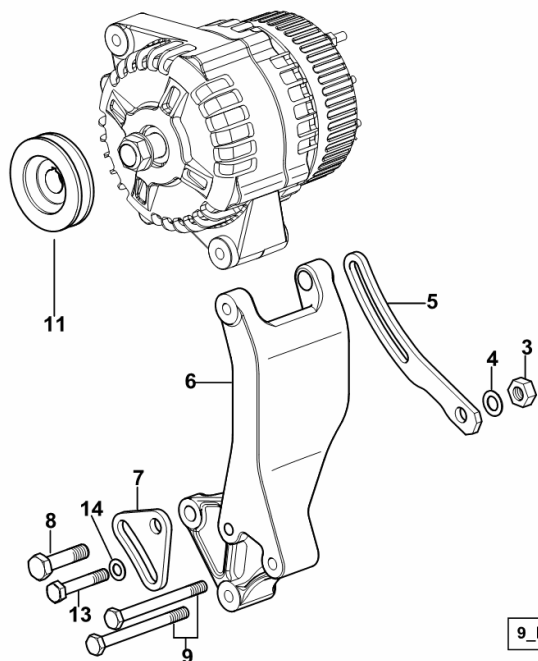
ALTERNATOR AND PULLEY SUPPORTS

Fig.	Code	QTY	Name
------	------	-----	------

Notes:

- FOR TYPES WITH AIR CONDITIONING [Agroplus 77 -> 5001]

3	2.1011.106.2	1	nut m 10 p.1.5
4	2.1470.006.2	4	lock washer 10
5	0.007.6853.0/10	1	bracket
6	0.007.6851.0	1	support
7	0.008.8232.0	1	bracket
8	2.0112.315.2	1	screw m 10 p.1.5 x 40
9	2.0112.226.2	2	screw m 8 p.1.25 x 85
11	0.013.4611.0	1	pulley
13	2.0112.217.2	1	screw m 8 p.1.25 x 45
14	2.1470.004.2	1	washer 8



9_B8584_03_0-A-001

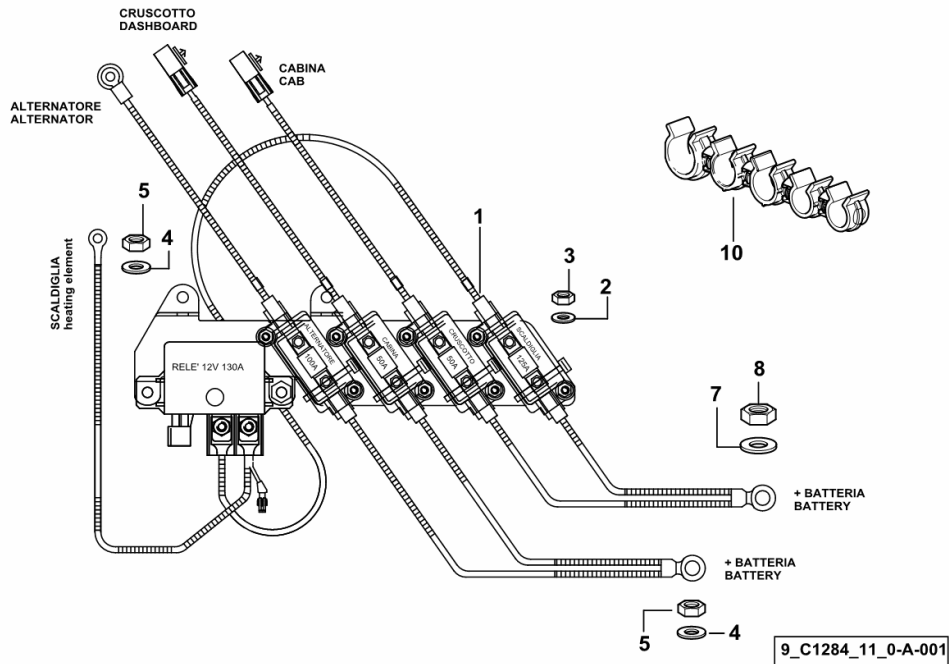
POWER SUPPLY ELECTRICAL SYSTEM

Fig.	Code	QTY	Name
------	------	-----	------

Notes:

- FOR MODELS WITH CAB [Agroplus 77 -> 5001]

1	0.013.9038.4/30	1	wire ☞ 0.013.9038.4/30
2	2.1310.001.2	8	flat washer 5.3
3	2.1011.101.2	8	nut m 4 p.0.7
4	2.1310.002.2	3	washer 6.6, d125
5	2.1011.103.2	3	nut m 6 p.1
7	2.1310.004.2	1	flat washer 8.5
8	2.1011.105.2	1	nut m 8 p.1.25
10	0.014.0132.4	1	small spring



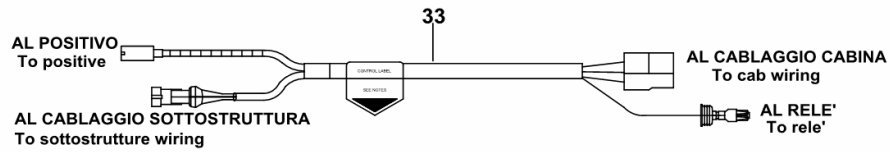
WIRING FOR CAB WITH VENTILATION - HEATING

Fig.	Code	QTY	Name
------	------	-----	------

Notes:

- FOR MODELS WITH CAB - "HIGH VISIBILITY" [Agroplus 77 -> 5001]

33	0.013.9035.4	1	wire
----	--------------	---	------



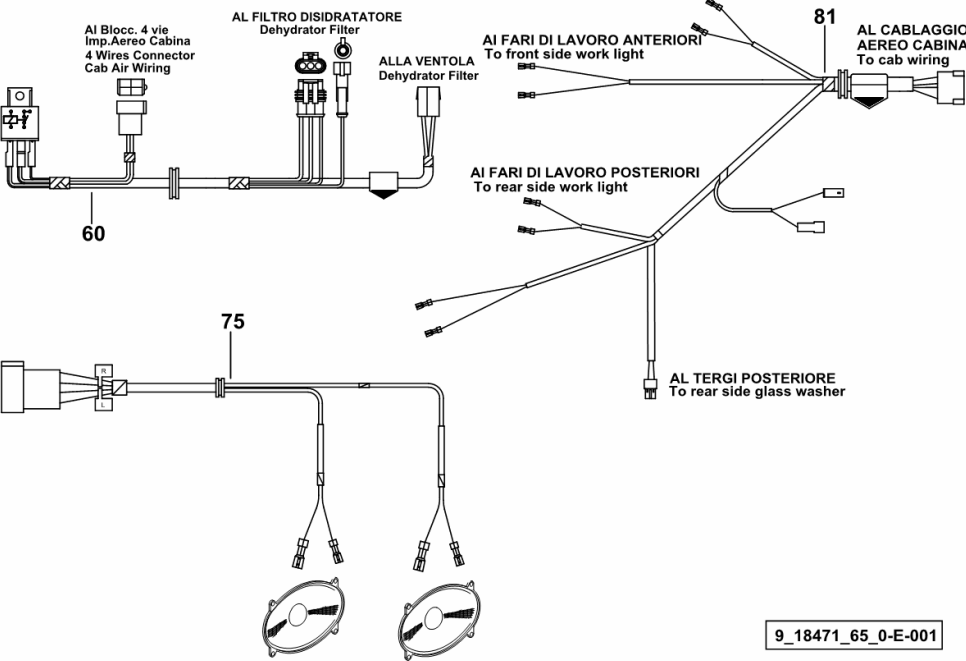
9_C1286_17_0-C-001

Section: L0 - ELECTRIC AL SYSTEM
CAB ELECTRICAL SYSTEM

Fig.	Code	QTY	Name
------	------	-----	------

Notes:
 - FOR TYPES WITH HEATING AND AIR CONDITIONING [Agroplus 77 -> 5001] 5032 <-

60	0.009.7853.3/20	1	electrical system  0.009.7853.3/20
75	0.011.0729.4/10	1	wire
81	0.009.7851.4/50	1	electrical system



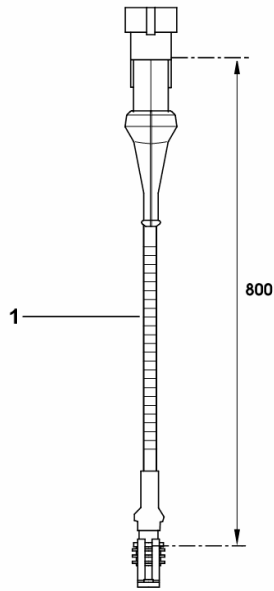
PRESSURE SWITCH WIRING FOR TRAILER HYDRAULIC BRAKING SYSTEM - ITALY

Fig.	Code	QTY	Name
------	------	-----	------

Notes:

[Agroplus 77 -> 5001]

1	0.012.2103.3	1	wire L = mm 800
---	--------------	---	-----------------

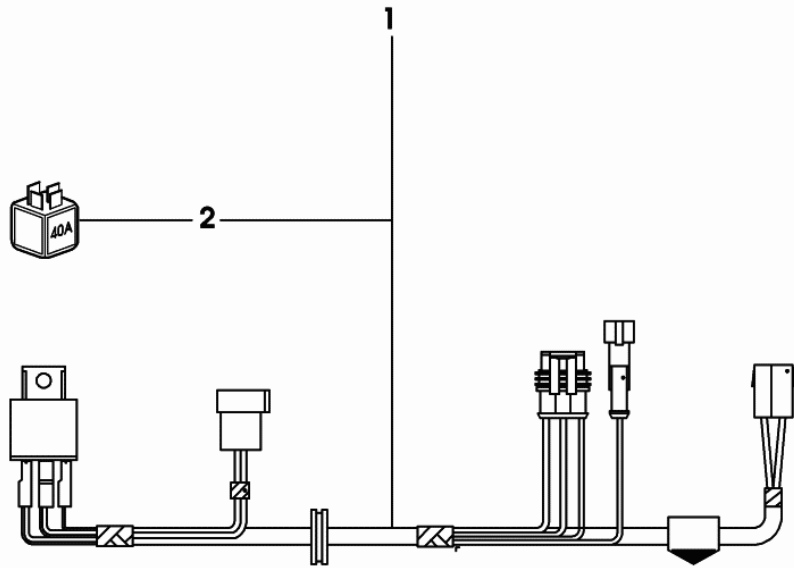


AL SENSORE PRESS.RIMORCHIO
TO TRAILER PRESSURE SENSOR

9_52689_05_0-A-001

ELECTRICAL SYSTEM

Fig.	Code	QTY	Name
1	0.009.7853.3/20	1	electrical system
2	2.7659.101.0	1	relay 12V-30A



0_009_7853_3_20

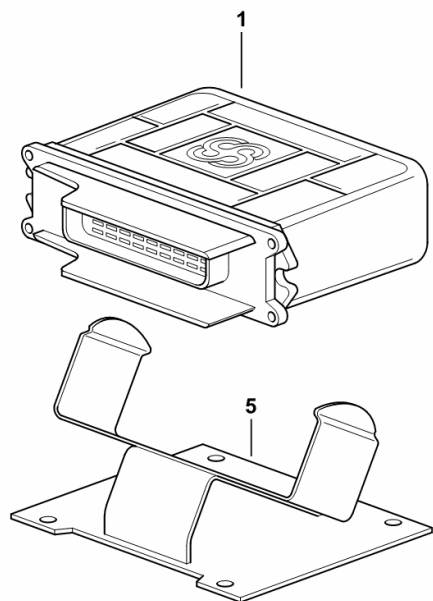
ELECTRONICS BOX

Fig.	Code	QTY	Name
------	------	-----	------

Notes:

- WITH ELECTRONIC ENGINE GOVERNOR [Agroplus 77 -> 5001]

1	2.8519.054.0/80	1	central device (-> 5001)
5	0.011.6959.2	1	support



9_C1267_11_0-A-001

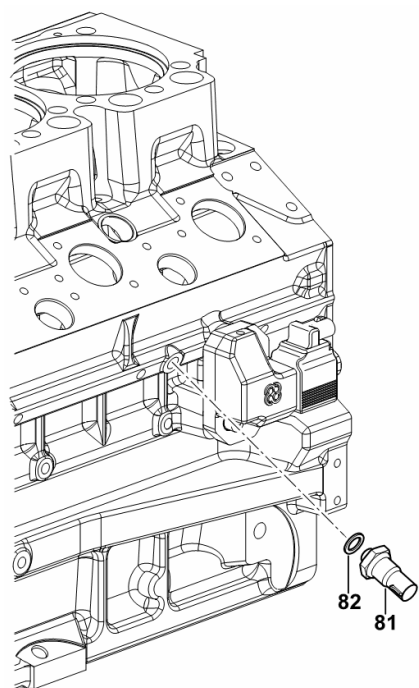
ENGINE OIL PRESSURE SWITCH

Fig.	Code	QTY	Name
------	------	-----	------

Notes:

- EXPORT U.S.A. [Agroplus 77 -> 5001]

81	2.7099.987.0/10	1	pressure switch 2.5 BAR
82	2.1560.008.0	1	gasket 12.2 x 18



SENSO DI MARCIA (lato DX)
FORWARD SPEED (right side)

9_O1015_00_0-D-001

SPEED SENSOR

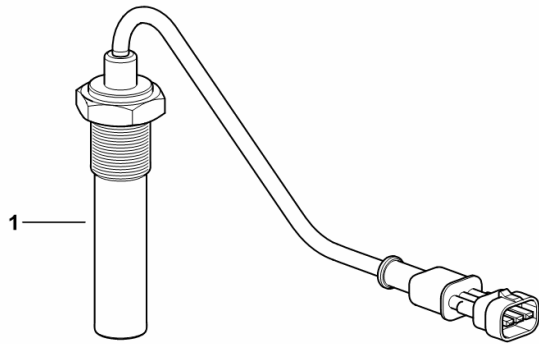
Fig.	Code	QTY	Name
------	------	-----	------

Notes:

[Agroplus 77 -> 5001] -> 5085

1	2.7099.996.0	1	sensor
---	--------------	---	--------

9_11384_60_0-A-001



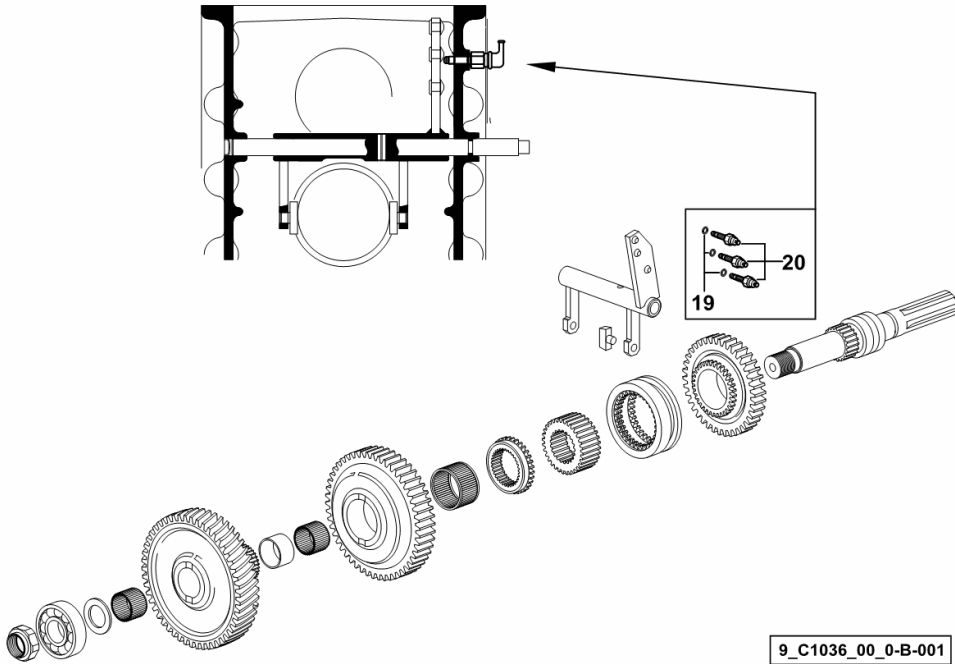
SWITCHES FOR 2-SPEED P.T.O. 540 - 750 + SYNCRO

Fig.	Code	QTY	Name
------	------	-----	------

Notes:

- FOR TYPES WITH FIXED OUTPUT SHAFT [Agroplus 77 -> 5001] 5030 <-

19	2.1560.003.0	3	gasket 8.2 x 12
20	2.7659.131.0	3	switch



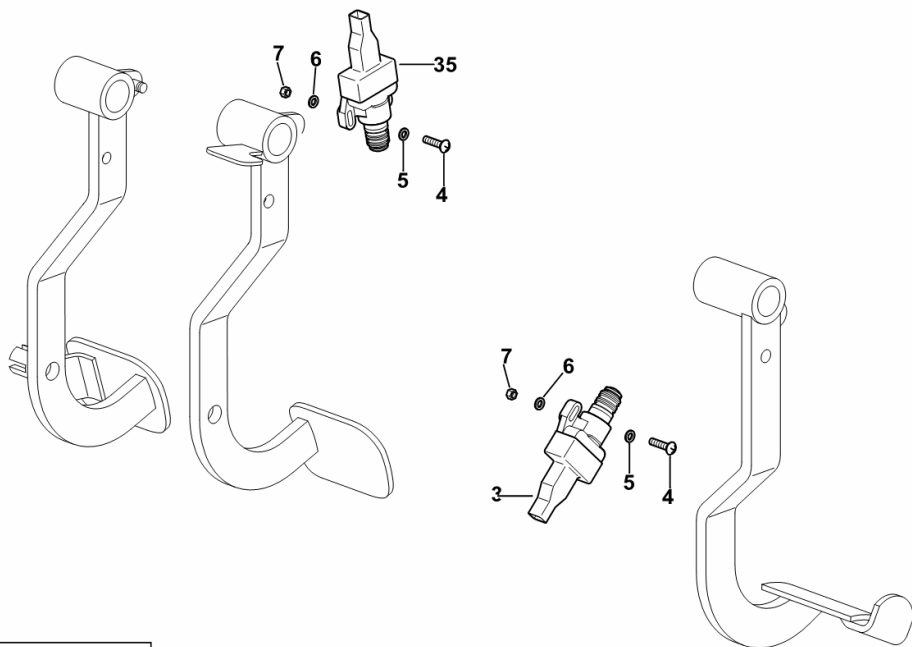
CLUTCH AND BRAKE PEDAL SWITCH

Fig.	Code	QTY	Name
------	------	-----	------

Notes:

- FOR TYPES WITH ELECTRONIC ENGINE GOVERNOR [Agroplus 77 -> 5001]

3	2.7659.097.0	1	switch
4	2.0332.207.2	4	screw m 4 p.0.7 x 20
5	2.1310.001.2	6	flat washer 5.3
6	2.1470.052.2	4	lock washer 4
7	2.1011.102.2	4	nut m 5 p.0.7
35	2.7659.097.0	1	switch



9_F0284_05_0-B-001

CLICK HERE TO **DOWNLOAD** THE COMPLETE MANUAL

- Thank you very much for reading the preview of the manual.
- You can download the complete manual from: www.heydownloads.com by clicking the link below



- Please note: If there is no response to CLICKING the link, please download this PDF first and then click on it.

CLICK HERE TO **DOWNLOAD** THE COMPLETE MANUAL

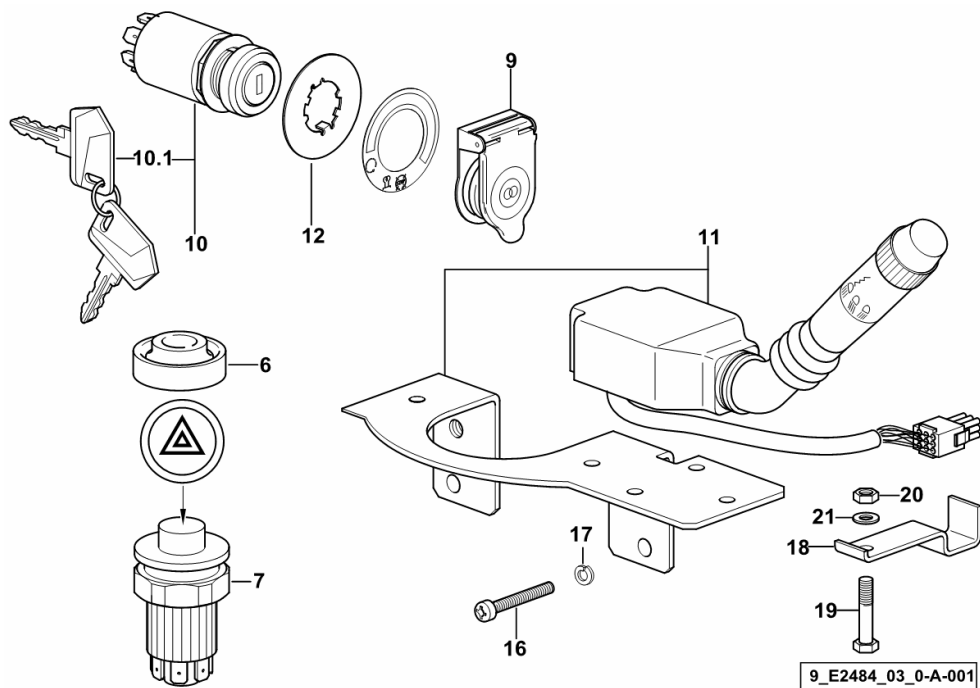
**KEYSWITCH BLOCK - STEERING COLUMN SWITCH UNIT - INSTRUMENT PANEL
BUTTONS**

Fig.	Code	QTY	Name
------	------	-----	------

Notes:

- EXPORT U.S.A. [Agroplus 77 -> 5001]

6	2.6519.015.0	1	cap
7	2.8819.070.0	1	switch
9	0.012.2056.2	1	small cover
10	04411512.4	1	start device
10.1	04418435	1	key
11	0.009.6491.4	1	switch
12	0.011.4625.0	1	washer
16	2.0119.160.3	2	screw m 6 p.1 x 14
17	2.1499.097.3	2	washer 6, d128
18	0.010.0439.0	1	bracket
19	2.0112.209.2	1	screw m 8 p 1.25 x 25
20	2.1011.105.2	1	nut m 8 p.1.25
21	2.1474.009.2	1	spring washer 8



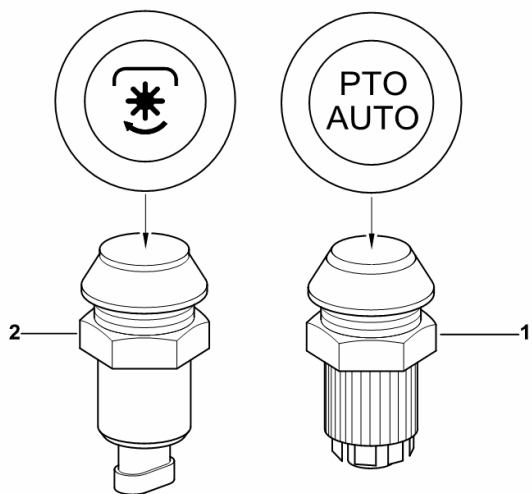
AUTOMATIC P.T.O. CONTROL

Fig.	Code	QTY	Name
------	------	-----	------

Notes:

- FOR TYPES WITH ELECTRONIC REAR LIFT [Agroplus 77 -> 5001]

1	2.7659.215.0/10	1	switch
2	2.7659.177.0/20	2	push-button P.T.O.



9_18384_07_0-A-001

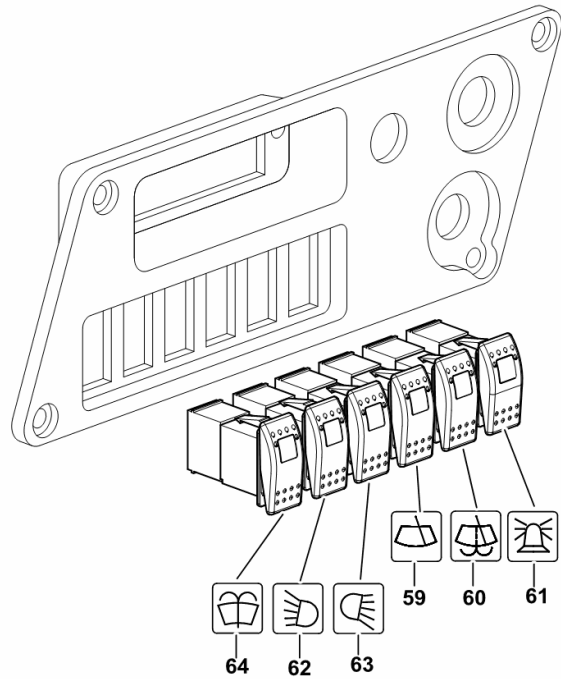
CAB TOP SWITCHES

Fig.	Code	QTY	Name
------	------	-----	------

Notes:

HIGHT VISIBILITY - FOR TYPES WITH HEATING AND AIR CONDITIONING [Agroplus 77 -> 5001]

59	2.7659.224.0/10	1	switch
60	2.7659.192.0/10	1	switch
61	2.7659.159.0	1	switch
62	2.7659.154.0	1	switch
63	2.7659.155.0	1	switch
64	2.7659.223.0/10	1	push-button



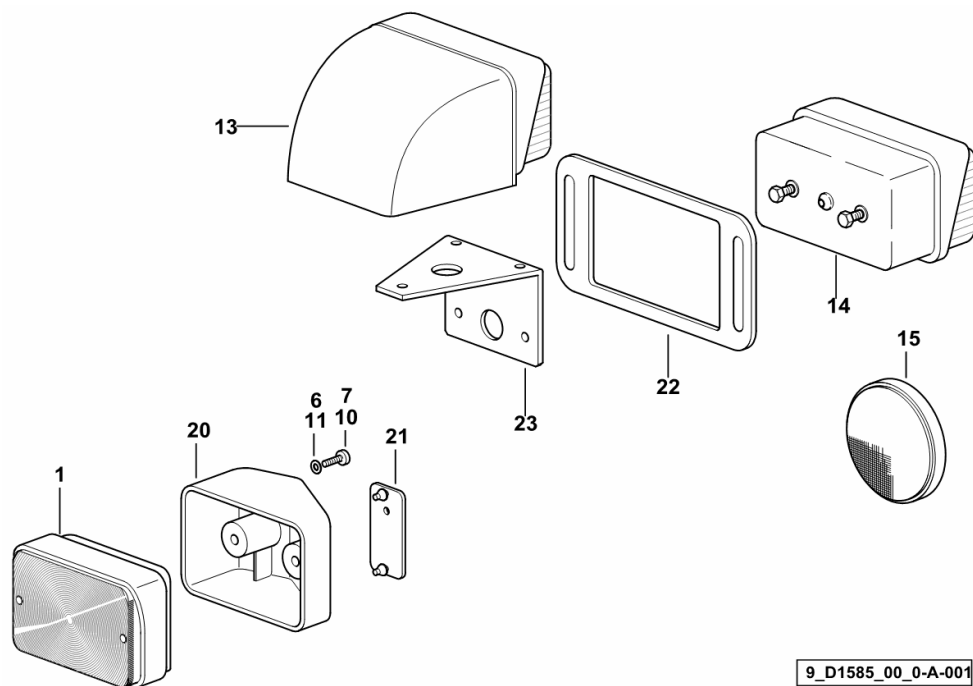
9_18471_75_0-E-001

FRONT/REAR LIGHTS

Fig.	Code	QTY	Name
------	------	-----	------

Notes:

- EXPORT U.S.A. FOR TYPES W/ CAB AND W/O VERTICAL EXHAUST SILENCER ON CAB PILLAR [Agroplus 77 -> 5001]



1	2.8059.520.0	2	side lamp ☞ 2.8059.520.0
6	2.1310.002.2	8	washer 6.6, d125
7	2.0312.104.2	8	screw m 6 p.1 x 16
10	2.0342.205.6	4	screw m 6 p.1 x 20
11	2.1310.002.2	4	washer 6.6, d125
13	2.8059.440.0/10	2	lamp ☞ 2.8059.440.0/10
14	2.8059.450.0	2	lamp ☞ 2.8059.450.0
15	2.8349.002.2/30	2	reflector Ø 86 mm
20	0.010.6705.2	2	support
21	0.010.6706.0	2	gasket
22	0.012.6117.0/10	2	lamp support
23	0.012.6958.0	2	lamp support

9_D1585_00_0-A-001

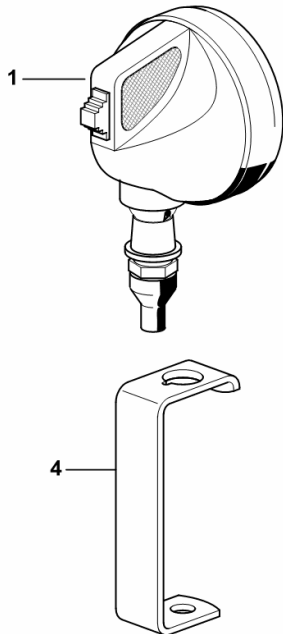
REAR WORKLIGHT

Fig.	Code	QTY	Name
------	------	-----	------

Notes:

- FOR TYPES WITH PLATFORM - EXPORT U.S.A. [Agroplus 77 -> 5001]

1	2.8029.300.0	1	headlight ☞ 2.8029.300.0
4	0.013.5963.0/10	1	lamp support



9_D1585_30_0-A-001

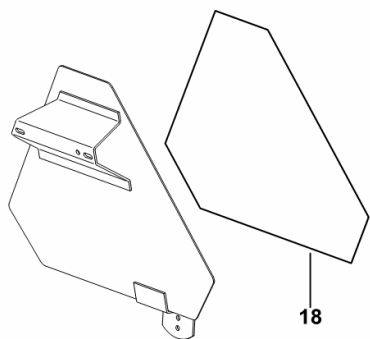
RETROREFLECTOR

Fig.	Code	QTY	Name
------	------	-----	------

Notes:

- EXPORT U.S.A. [Agroplus 77 -> 5001]

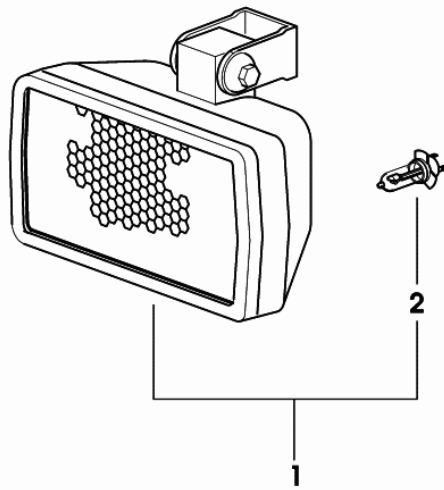
18	0.013.4584.0	1	plate SMV
----	--------------	---	-----------



9_D1576_04_0-C-001

HEADLAMP COMPONENTS

Fig.	Code	QTY	Name
1	2.8029.730.0	1	headlight
2	0.010.3486.1	1	lamp H3 12V 55W



2_8029_730_0

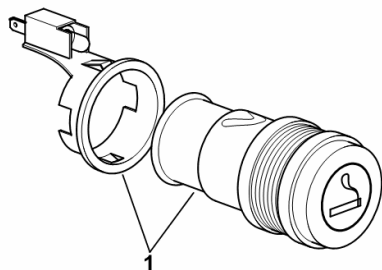
CIGAR LIGHTER

Fig.	Code	QTY	Name
------	------	-----	------

Notes:

- FOR MODELS WITH CAB [Agroplus 77 -> 5001]

1	2.7099.770.0	1	cigar lighter
---	--------------	---	---------------



9_64884_35_0-A-001

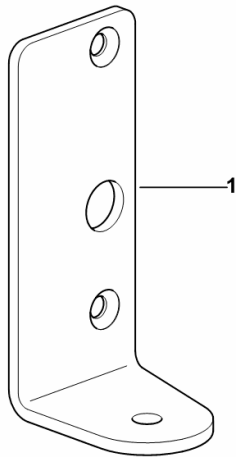
ANTENNA SUPPORT

Fig.	Code	QTY	Name
------	------	-----	------

Notes:

- FOR "HIGH VISIBILITY" CAB [Agroplus 77 -> 5001] -> 5076 - FOR "HIGH VISIBILITY" CAB [Agroplus 77 -> 5001]

1	0.011.5792.0	1	support
---	--------------	---	---------



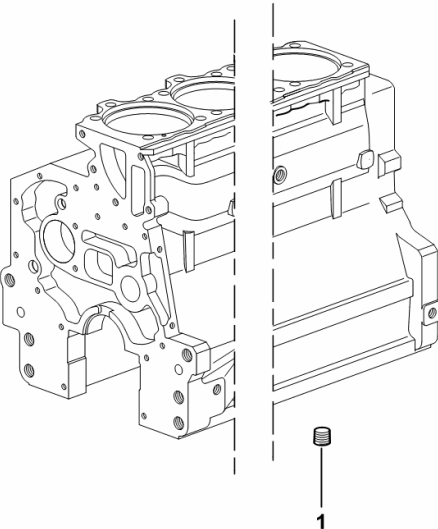
9_C1271_45_0-A-001

PLUG

Fig.	Code	QTY	Name
------	------	-----	------

Notes:
[Agroplus 77 -> 5001]

1	2.3130.003.1	2	plug 3/8" gas
---	--------------	---	---------------

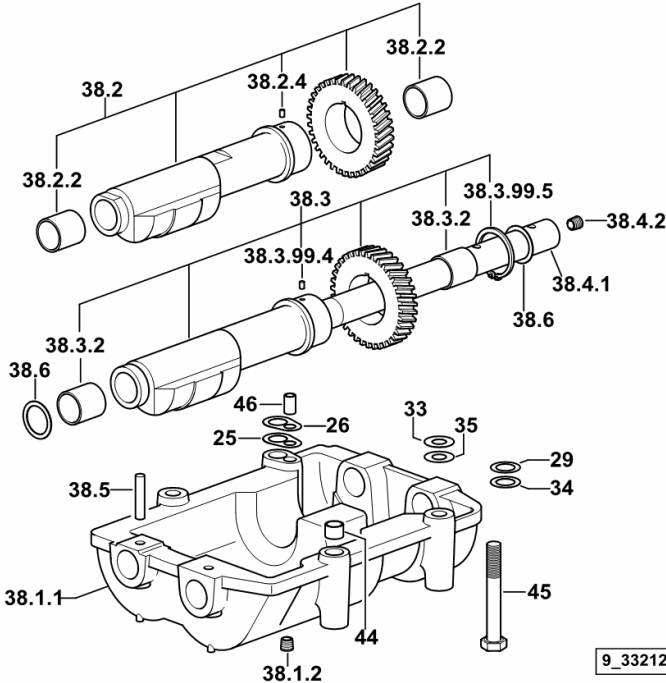


9_33311_06_0-A-001

Section: B0 - ENGINE
COUNTERWEIGHTS

Fig.	Code	QTY	Name
------	------	-----	------

Notes:
 [Agroplus 77 -> 5001]

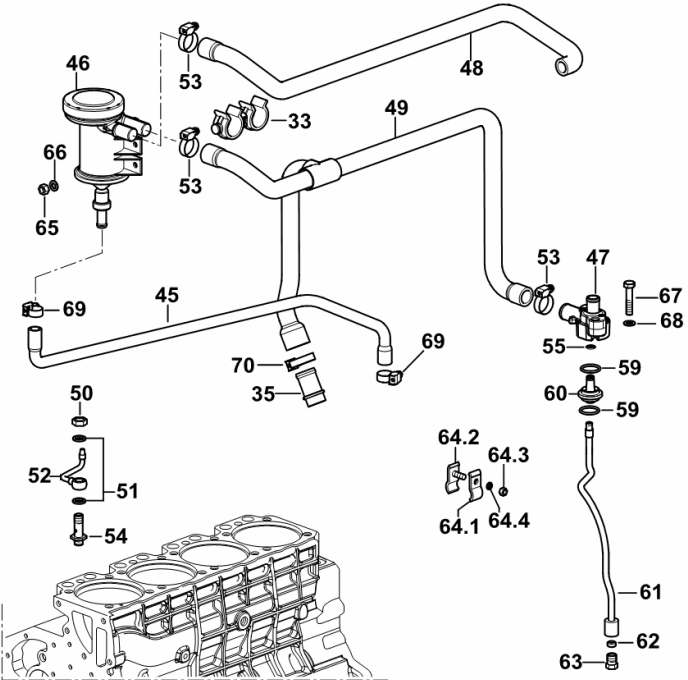


25	2.1589.139.0	1	snooulder mm 0.3
26	2.1589.140.0	3	snooulder mm 0.1
29	2.1579.628.0	3	spacer 16.5x26x0.1
33	2.1579.629.0	6	spacer 12.5x26x0.1
34	2.1589.048.0	1	snooulder 16.5x26x0.3
35	2.1589.049.0	1	snooulder 12.5x26x0.3
38.1.1	0.086.1231.0/10	1	box
38.1.2	2.3130.001.1	4	plug 1/8" gas
38.2	0.086.1233.3/30	1	mass sx/lh/li
38.2.2	2.1559.115.0	2	bushing 26x30x30
38.2.4	2.1651.302.0	1	roll pin 4x6
38.3	0.065.1233.3/30	1	mass dx/rh/re
38.3.2	2.1559.115.0	2	bushing 26x30x30
38.3.99.4	2.1651.302.0	1	roll pin 4x6
38.3.99.5	2.1410.018.7	1	circlip 45
38.4.1	0.065.1234.0/10	1	shaft
38.4.2	2.3130.001.1	1	plug 1/8" gas
38.5	2.1631.717.0	2	roll pin 8 x 40
38.6	2.1589.185.0	4	snooulder 26.1x34x1
44	2.1579.626.0	2	spacer 13.2x16x11
45	2.0139.028.2	4	screw m 12
46	2.1699.191.0	1	sleeve 7x10x16

Section: B0 - ENGINE
LUBRICATION

Fig.	Code	QTY	Name
------	------	-----	------

Notes:
 [Agroplus 77 -> 5001]



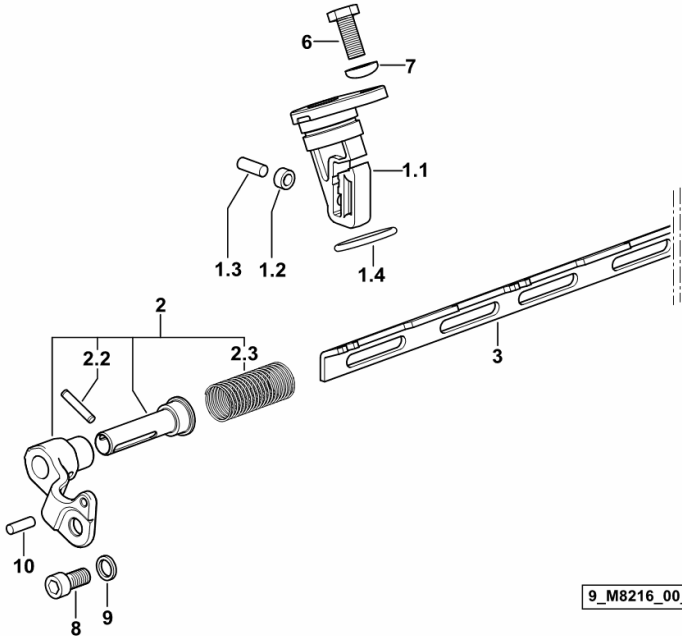
33	0.013.6978.4	2	small spring
35	0.011.5918.0/10	1	tube
45	0.013.6895.0	1	tube
46	0.013.5023.0	1	sediment bowl
47	0.013.5525.2/10	1	flange (5010 <-)
47	0.013.5291.0	1	flange (-> 5011)
48	0.013.8163.0	1	tube
49	0.013.8155.0	1	tube
50	2.1099.108.2	4	special nut m 10 p.1
51	2.1560.006.0	8	gasket 10.2 x 16
52	0.086.1550.2	4	cooling nozzle
53	2.6851.002.0	3	clamp Ø 20/32
54	0.065.1160.3/20	4	valve
55	2.1532.012.0	1	'o' ring 6.75 x 1.78
59	2.1539.072.0	2	'o' ring 23.52 x 1.78
60	0.066.1558.0	1	sleeve
61	0.066.1557.2	1	tube
62	2.3350.003.1	1	nosepiece 8
63	2.3339.418.1	1	pipe fitting m 12 p.1
64.1	0.075.1552.0	1	bracket
64.2	0.075.1552.2	1	bracket
64.3	2.1011.103.2	1	nut m 6 p.1
64.4	2.1470.002.2	1	washer 6, d128
65	2.1120.103.2	2	nut m 6
66	2.1310.002.2	2	washer 6.6, d125
67	2.0112.215.2	2	screw m 8 p.1.25 x 40
68	2.1474.009.2	2	spring washer 8
69	2.6851.001.0	3	clamp Ø 16/25
70	2.6851.003.0	1	clamp Ø 25/40

Section: B0 - ENGINE
INJECTION PUMP DRIVE

Fig.	Code	QTY	Name
------	------	-----	------

Notes:
[Agroplus 77 -> 5001]

1.1	0.012.5618.0/20	1	support
1.2	0.065.1660.0	1	roller
1.3	2.1651.507.0	1	pin 6 x 16
1.4	2.1530.072.0	1	'o' ring 26.70x1.78
2	0.013.4057.4	1	bracket
2.2	2.1631.310.0	1	pin 4x22
2.3	2.4019.761.1	1	spring
3	0.014.9234.3	1	rod
6	2.0112.207.2	2	screw m 8 p 1.25 x 20
7	2.1310.004.2	2	flat washer 8.5
8	2.0312.204.2	1	screw m 8 p.1.25 x 16
9	2.1475.202.2	1	spring washer 8.4 x 16
10	2.1631.305.0	1	roll pin 4 x 12



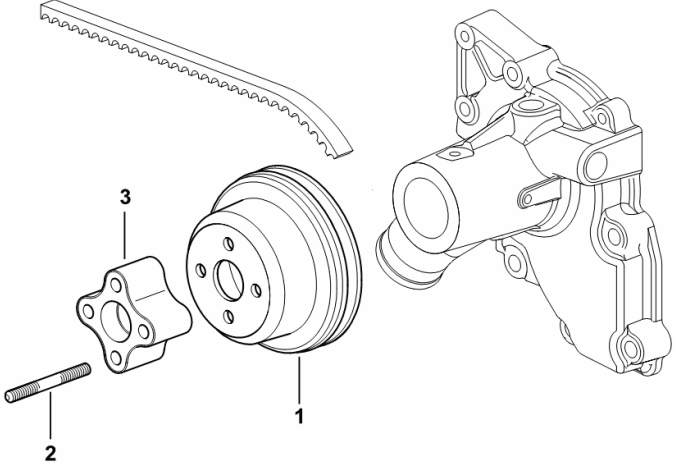
9_M8216_00_0-B-001

Section: B0 - ENGINE
COOLANT PUMP PULLEY

Fig.	Code	QTY	Name
------	------	-----	------

Notes:
- FOR TYPES WITHOUT CONDITIONING [Agroplus 77 -> 5001]

1	0.007.1341.0/20	1	pulley
2	2.0432.018.7	4	stud bolt m 8 p.1.25 / p.1 x 65
3	0.007.1342.0/10	1	spacer



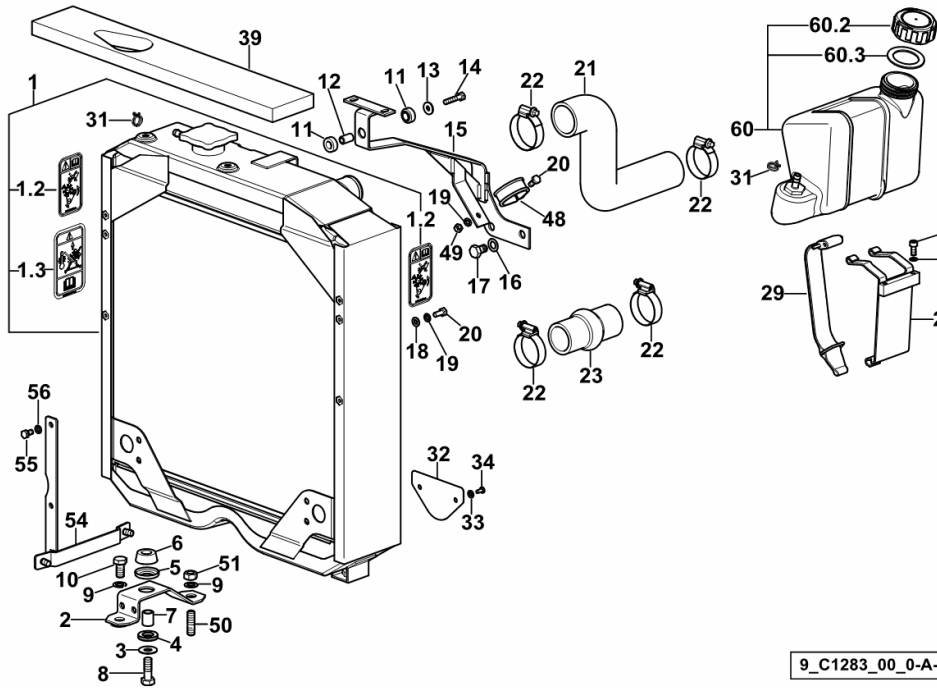
9_36317_03_0-A-001

WATER COOLER

Fig.	Code	QTY	Name
------	------	-----	------

Notes:

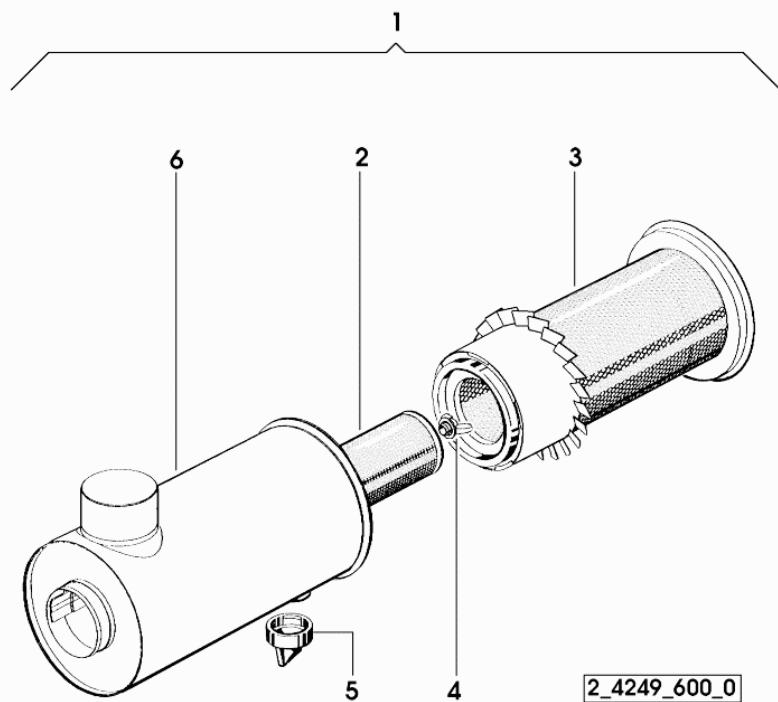
[Agroplus 77 -> 5001]



1	0.013.7134.4/30	1	water cooler ☞ 0.013.7134.4/30
1.2	2.9939.273.0	2	plate
1.3	2.9939.280.0	1	plate
2	0.009.7258.2/40	2	bracket
3	2.1599.044.2	2	snoulder 10.5x25.5x1.5
4	0.136.7387.0	2	rubber plug 15x27x5
5	0.136.7384.0	2	cup
6	0.136.7385.0	2	rubber plug
7	2.1579.090.2	2	spacer 10.1x15x18
8	2.0112.311.2	2	screw m 10 p.1.5 x 30
9	2.1470.006.2	4	lock washer 10
10	2.0112.307.2	2	screw m 10 p.1.5 x 20
11	0.035.8459.0	2	rubber plug
12	2.1579.322.0	1	spacer 10.5x6.5x17
13	2.1312.003.2	1	washer 6
14	2.0112.011.2	1	screw m 6 p.1x30
15	0.009.7255.2/30	1	bracket
16	2.1470.006.2	2	lock washer 10
17	2.0112.305.2	2	screw m 10 p.1.5 x 16
18	2.1310.002.2	2	washer 6.6, d125
19	2.1470.002.2	3	washer 6, d128
20	2.0112.004.2	3	screw m 6 p.1 x 14
21	0.009.7257.0	1	tube
22	2.6851.005.0	4	clamp Ø 40/60
23	0.010.1036.0	1	sleeve
24	0.296.8350.2/20	1	support
25	2.1480.012.2	2	washer 6, d128
26	2.0312.103.2	2	screw m 6 p.1 x 14
29	0.013.8296.2/10	1	rod
31	2.6859.083.2	2	clamp
32	0.009.7302.0	1	small plate
33	2.1470.001.2	2	lock washer 5
34	2.0350.403.6	2	screw m 4.2x9.5B
39	0.014.2085.0	1	gasket
48	2.6839.065.0	1	clamp 40
49	2.1011.103.2	1	nut m 6 p.1
50	2.0422.303.2	2	stud bolt m 10 p.1.5 x 20
51	2.1011.106.2	2	nut m 10 p.1.5
54	0.013.9486.3	1	support
55	2.0112.003.2	2	screw m 6 p.1 x 12

AIR FILTER PARTS

Fig.	Code	QTY	Name
1	2.4249.600.0	1	air filter 8 "
2	2.4249.130.7	1	internal air filter element
3	2.4249.131.0	1	external air filter element
4	2.4249.320.1	1	wing nut
5	0.009.4109.0	1	valve
6	0.000.0000.1	0	not serviceable



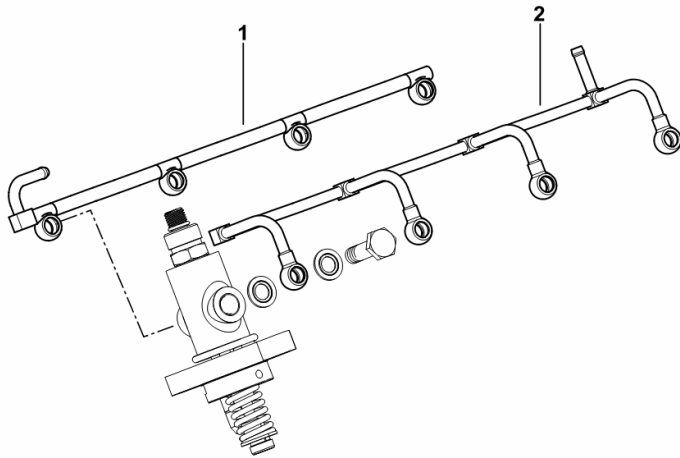
FUEL PIPES

Fig.	Code	QTY	Name
------	------	-----	------

Notes:

- EXPORT U.S.A. [Agroplus 77 -> 5001]

1	0.015.6801.3	1	tube
2	0.014.8592.3/10	1	tube



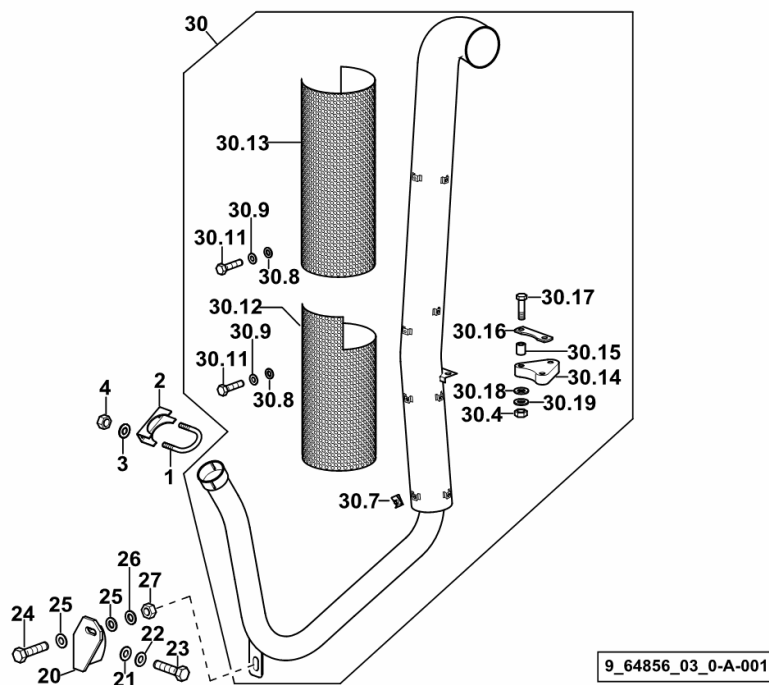
9_O0816_02_0-A-001

VERICAL EXHAUST SILENCER

Fig.	Code	QTY	Name
------	------	-----	------

Notes:

- FOR TYPES WITH UPRIGHT EXHAUST SILENCER ON CAB PILLAR [Agroplus 77 -> 5001]



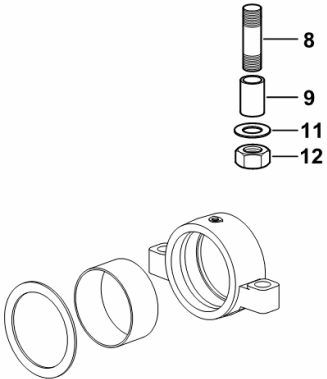
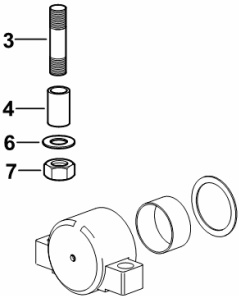
1	0.007.1441.0/10	1	u bolt
2	0.007.1440.0	1	clamp
3	2.1474.009.2	2	spring washer 8
4	2.1011.105.2	2	nut m 8 p.1.25
20	0.011.3878.0	1	bracket
21	2.1310.010.2	1	flat washer 16
22	2.1470.009.2	1	lock washer 16
23	2.0112.613.2	1	screw m 16 p.2x35
24	2.0112.309.2	1	screw m 10 p.1.5 x 25
25	2.1310.006.2	2	flat washer 10.5
26	2.1470.006.2	1	lock washer 10
27	2.1011.106.2	1	nut m 10 p.1.5
30	0.011.9142.4	1	exhaust
30.4	2.1011.105.2	2	nut m 8 p.1.25
30.7	2.6999.064.6	8	special nut m 6
30.8	2.1470.002.2	8	washer 6, d128
30.9	2.1310.002.2	8	washer 6.6, d125
30.11	2.0112.003.2	8	screw m 6 p.1 x 12
30.12	0.010.8830.0	1	shield
30.13	0.010.8831.0	1	shield
30.14	0.010.8826.0	1	anti-vibration mounting
30.15	2.1549.391.2	2	spacer 8.4x12x25
30.16	0.010.8827.0	1	small plate
30.17	2.0112.215.2	2	screw m 8 p.1.25 x 40
30.18	2.1310.004.2	2	flat washer 8.5
30.19	2.1470.004.2	2	washer 8

Section: F0 - FRONT AXLE
FRONT SUPPORT - FIXINGS

Fig.	Code	QTY	Name
------	------	-----	------

Notes:
[Agroplus 77 -> 5001]

3	2.0432.419.7	2	stud bolt m 16 p.2-1.5x70
4	2.1559.030.0	2	bushing 16.5x22x35
6	2.1475.006.2	2	washer 16
7	2.1011.309.2	2	nut m 16 p.1.5
8	2.0432.518.7	2	stud bolt m 18 p.2.5-1.5x65
9	2.1559.010.0	2	bushing 18.5x24x35
11	2.1475.007.7	2	washer 18
12	2.1011.310.2	2	nut m 18 p.1.5



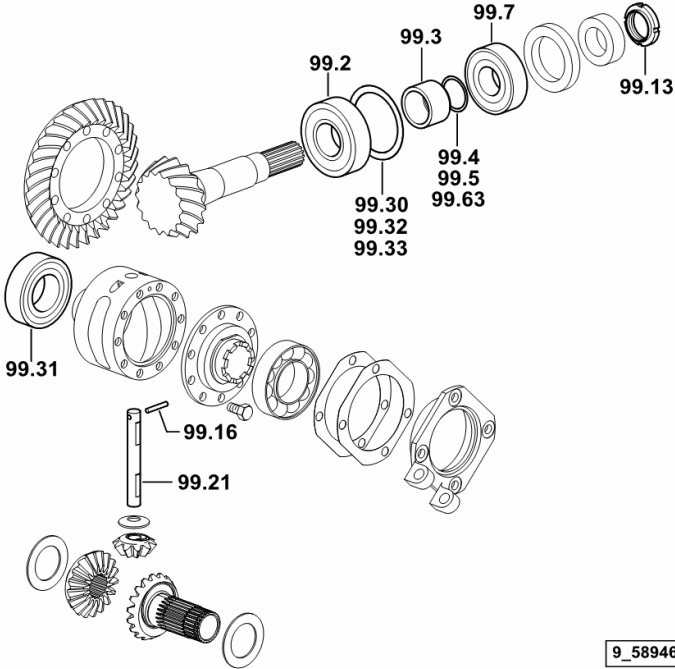
9_49052_00_0-A-001

DIFFERENTIAL BEVEL GEAR PAIR

Fig.	Code	QTY	Name
------	------	-----	------

Notes:
[Agroplus 77 -> 5001]

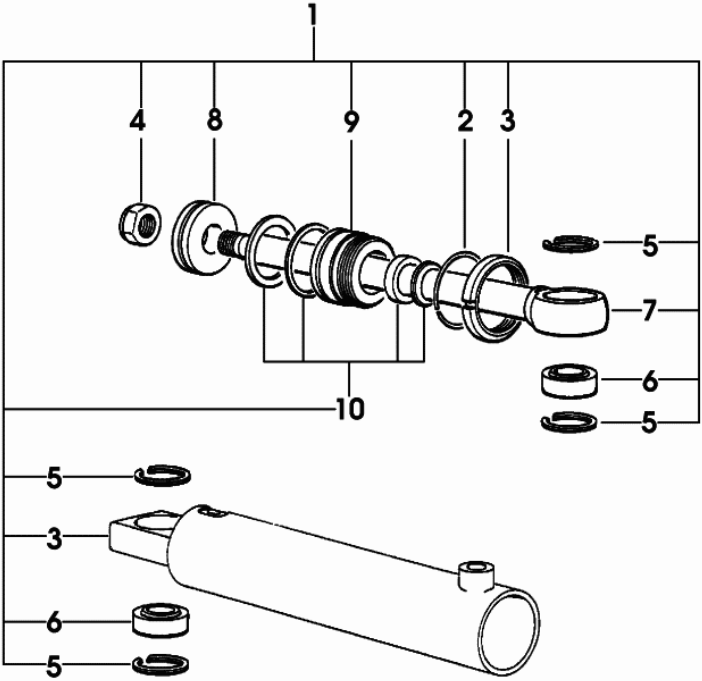
99.2	2.2560.006.0	1	roller bearing 40 x 90 x 25.25
99.3	0.008.0389.0	1	spacer mm 37
99.4	2.1580.101.0	2	shim 36 x 43 x 0.2
99.5	2.1580.102.0	3	shim 36 x 43 x 0.5
99.7	2.2560.005.0	1	roller bearing 35 x 80 x 22.75
99.13	2.1214.108.7	1	ring nut m 35 p.1.5
99.16	2.1631.418.0	1	pin 5 x 45
99.21	0.010.0856.0/20	1	pin
99.30	2.1580.302.0	2	shim 76 x 89 x 0.5
99.31	2.2540.005.0	1	roller bearing 45 x 85 x 24.75
99.32	2.1580.301.0	2	shim 76 x 89 x 0.2
99.33	2.1580.309.0	2	shim 76 x 89 x 0.05
99.63	2.1580.109.0	2	shim 36x43x0.15



9_58946_00_0-B-001

Section: F0 - FRONT AXLE
CYLINDER PARTS

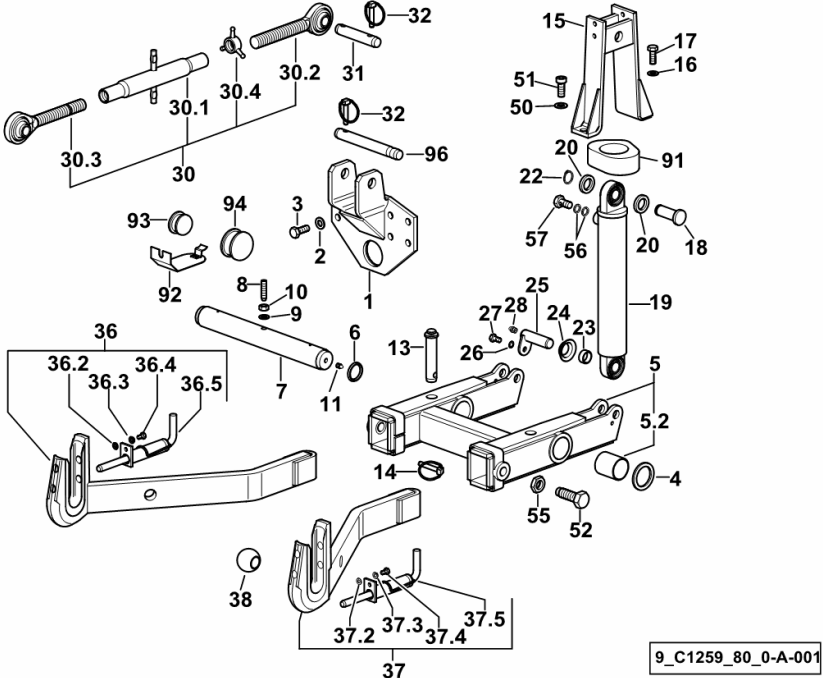
Fig.	Code	QTY	Name
1	0.009.9892.4/10	1	cylinder
2	2.1421.019.1	4	circlip b 48
3	0.000.0000.1	0	not serviceable
4	0.463.6355.1	1	selflock nut m 16 p.1.5
5	0.900.0129.0	4	ring
6	0.176.6371.0	2	ball joint
7	0.009.4871.0	1	stem
8	0.176.6370.0	1	piston
9	0.176.6375.0	1	bushing
10	0.289.6356.1	1	seal ring kit



0_009_9892_4_10

Section: N0 - FRONT LIFT
FRONT HYDRAULIC POWER-LIFT

Fig.	Code	QTY	Name
37.2	2.1310.004.2	1	flat washer 8.5
37.3	2.1470.004.2	1	washer 8
37.4	2.0112.207.2	1	screw m 8 p 1.25 x 20
37.5	0.009.8357.3/20	1	clevis
38	0.760.5952.0	2	cap Ø 56
50	2.1475.004.2	2	washer 12
51	2.0313.410.2	2	screw m 12 x 30
52	2.0129.059.2	2	screw
55	2.1019.123.2	2	nut m 22 p.1.5x10
56	2.1560.010.0	4	gasket 14.2 x 20 x 1.5
57	2.3335.006.2	2	pipe union m 14 p.1.5x24
91	0.010.4066.0	2	ring
92	0.011.0753.2/10	1	plug
93	0.010.4072.0	1	plug 40
94	0.011.0754.0	1	plug 60
96	0.96001.12.0	1	piston pin



Section: M0 - FRONT PTO
P.T.O. FRONT

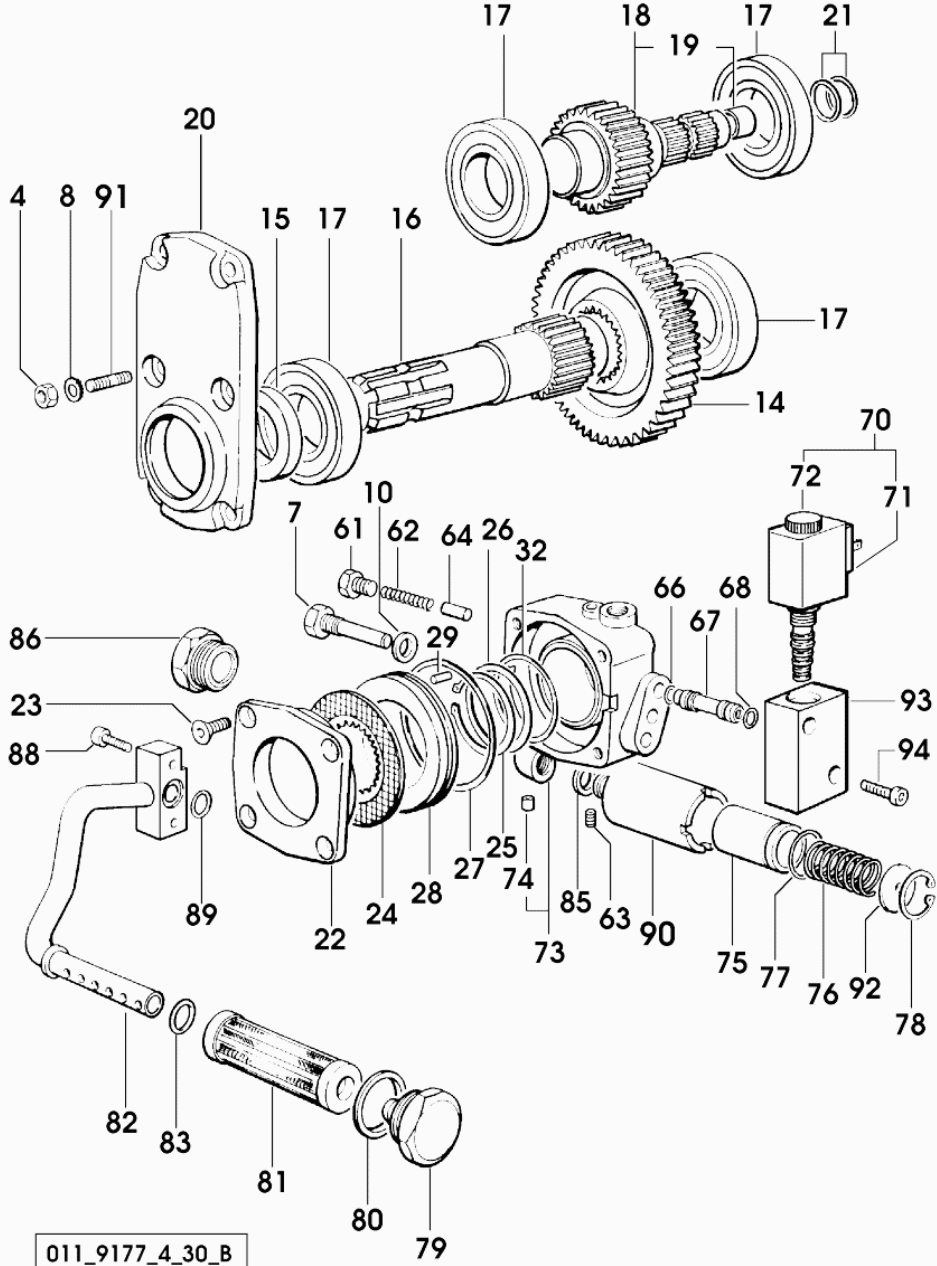


Fig.	Code	QTY	Name
4	2.1011.405.2	6	nut m 8 p.1
7	2.0119.154.2	2	screw m 12 p.1.75x58
8	2.1470.004.2	6	washer 8
10	2.1560.008.0	2	gasket 12.2 x 18
14	0.007.5327.0/10	1	gear Z = 36
15	2.1520.220.0	1	oil seal 40x60x10
16	0.007.5328.0/20	1	p.t.o.shaft
17	2.2040.012.0	4	ball bearing iso 40 bc 02
18	0.007.5343.3/20	1	shaft Z = 15 / Z = 17
19	2.1559.023.0/10	1	bushing 15.8x19x20
20	0.007.5325.0/10	1	cover
21	2.1530.062.0	2	'o' ring 23.81 x 2.62
22	0.255.3926.0/10	1	cover
23	2.0342.305.2	4	screw m 8 p.1.25 x 20
24	0.255.3924.2	1	disc
25	2.1419.027.1	2	circlip 48
26	2.1599.416.0	1	snoulder 50x58x1
27	2.1532.503.0	1	'o' ring 82.14x2.62
28	0.255.3922.0/30	1	piston D 90
29	2.1651.506.0	1	cylindrical plug 6 x 14
32	2.1539.067.0	1	'o' ring 44.12x2.72
61	2.3110.401.1	2	plug m 10 p.1x8
62	2.4019.321.0	2	spring 7.3x54.5x1.2
63	2.0599.061.0	1	grain m 6 x 6
64	0.241.8254.0/10	2	ferrule
66	2.1530.014.0	3	'o' ring 7.66 x 1.78
67	0.007.5340.0/10	3	tube
68	2.1530.019.0	3	'o' ring 9.25x1.78
70	2.3729.400.0	1	electro valve
71	0.010.3140.0	1	coil
72	0.010.3140.1	1	ring nut
73	0.007.5329.3/30	1	distributor
74	2.3199.179.0	2	plug
75	0.164.8275.0/10	1	piston
76	2.4019.174.1	1	spring 23.5x90x3.5
77	2.1530.072.0	1	'o' ring 26.70x1.78
78	2.1411.013.1	1	circlip 32
79	2.3199.182.2	1	plug
80	2.1560.027.0	1	gasket 38.3x44
81	0.9012.428.2	1	oil filter
82	0.007.5348.2/10	1	tube
83	2.1530.040.0	1	'o' ring 15.88x2.62
85	2.1560.010.0	1	gasket 14.2 x 20 x 1.5
86	2.3199.250.0	1	plug m 30 p.1

Section: M0 - FRONT PTO
P.T.O. FRONT

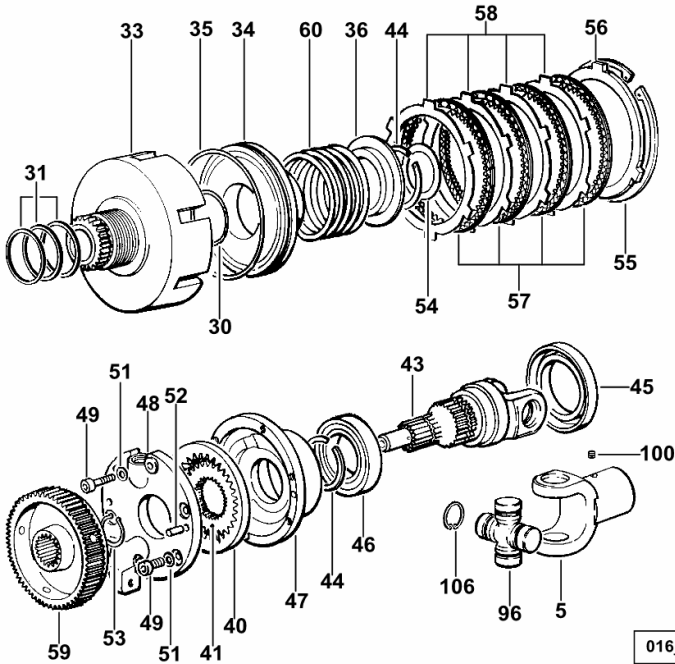


Fig.	Code	QTY	Name
5	0.008.8345.0/10	1	sleeve
30	2.1532.150.0	1	'o' ring 61.60x2.62
31	2.1569.109.0/10	3	gasket 46 x 50 x 2.0
33	0.275.3910.0/60	1	body
34	0.255.3938.0/40	1	piston
35	2.1539.064.0	1	'o' ring 120.33x2.62
36	0.255.3933.0	1	disc
40	0.008.1362.0/10	1	crown wheel Z = 31
41	0.008.1363.0/10	1	pinion z = 25 z = 30
43	0.008.8346.0/30	1	shaft
44	2.1420.016.0	1	circlip a 40
45	2.1520.229.0	1	oil seal 55 x 80 x 10
46	2.2030.009.0	1	ball bearing 40x68x15
47	0.008.1361.0/10	1	pump casing
48	0.008.2669.0/20	1	cover
49	2.0312.106.2	6	screw m 6 p.1 x 20
51	2.1480.012.1	6	washer 6, d128
52	2.1651.507.0	2	pin 6 x 16
53	2.1410.009.1	1	circlip 24
54	2.1599.415.0	1	snoulder 35x52x1
55	2.1419.035.1	1	circlip 127
56	0.255.3969.0/10	1	disc
57	0.255.3970.2/10	4	disc
58	0.013.9453.0	4	disc
59	0.445.3932.0/20	1	hub
60	2.4019.373.1	1	spring 79.5x61.5x6.5
96	0.146.4632.4/10	1	universal joint
100	2.3139.011.1	1	grain 1/8" gas
106	2.1499.012.1/10	4	circlip Ø 24

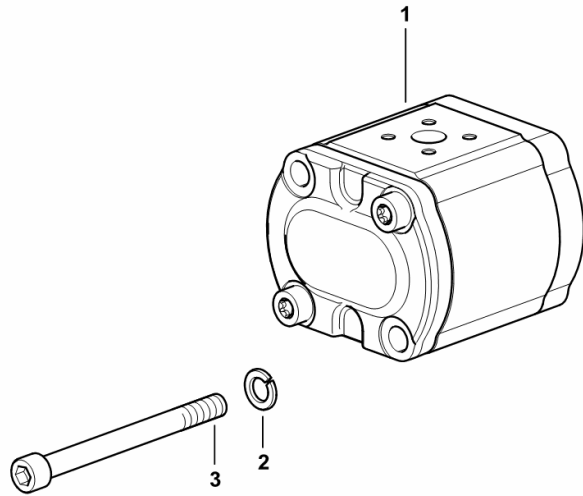
HYDRAULIC PUMP 22.5 cc - dx/rh/re

Fig.	Code	QTY	Name
------	------	-----	------

Notes:

[Agroplus 77 -> 5001]

1	2.4539.620.0/10	1	hydraulic pump 22.5 cc dx/rh/re - BOSCH -
			☞ 2.4539.620.0/10
2	2.1480.015.2	2	washer 10
3	2.0169.019.2	2	screw m 10x135



9_21082_01_0-A-001

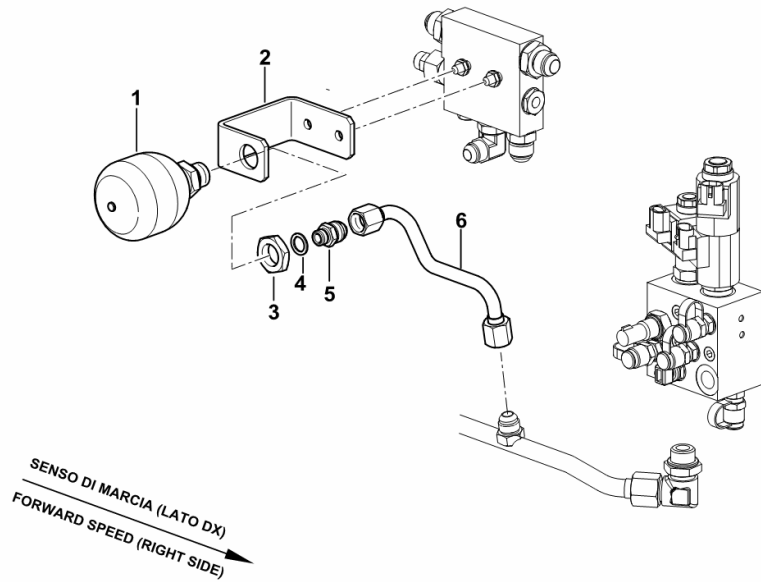
ACCUMULATOR

Fig.	Code	QTY	Name
------	------	-----	------

Notes:

[Agroplus 77 -> 5001]

1	0.013.8759.0/10	1	accumulator
2	0.014.0409.0	1	bracket
3	2.1019.145.2	1	nut m 22
4	2.1560.010.0	1	gasket 14.2 x 20 x 1.5
5	2.3339.594.2/10	1	pipe fitting m 14 p.1.5-3/4-16
6	0.014.0401.3	1	tube



9_C1282_26_0-A-001

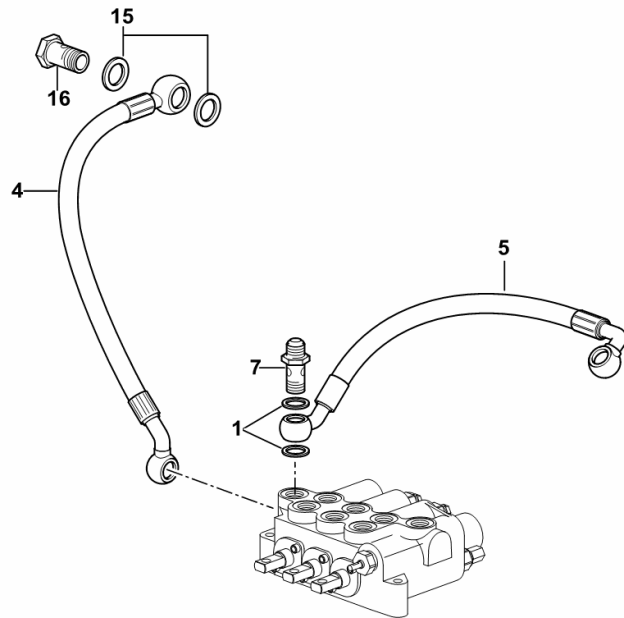
HYDRAULIC SYSTEM FOR 6-WAY REMOTE VALVE

Fig.	Code	QTY	Name
------	------	-----	------

Notes:

- FOR TYPES WITH ELECTRONIC REAR LIFT [Agroplus 77 -> 5001]

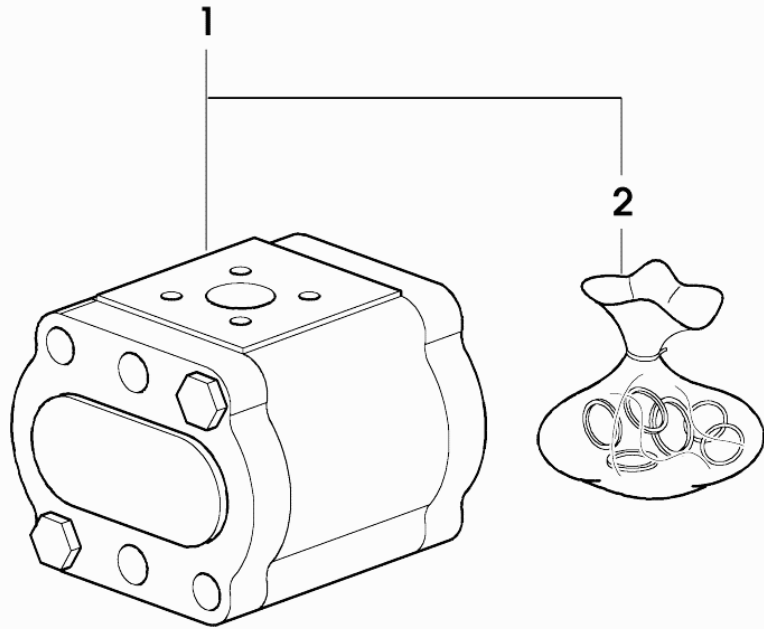
1	2.1560.014.0	4	gasket 18.2 x 24 x 1.5
4	0.011.7219.3	1	tube
5	0.010.0369.3	1	tube
7	2.3339.430.2/10	1	pipe fitting 3/4"-16jic - m 18x1.5
15	2.1560.018.0	2	gasket 22.2 x 29
16	2.3335.009.2	1	pipe union m 22 p.1.5 x 39



9_C0888_25_0-D-001

HYDRAULIC PUMP PARTS

Fig.	Code	QTY	Name
1	2.4539.570.0	1	hydraulic pump 16 cc dx/rh/re - SAUER
2	0.009.4128.1	1	seal ring kit



2_4539_570_0

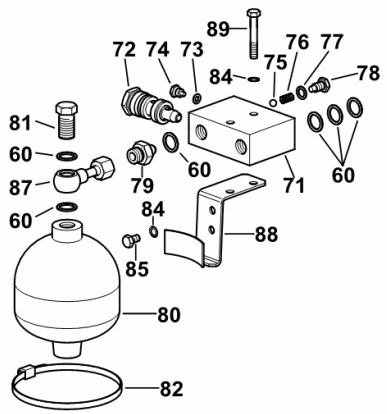
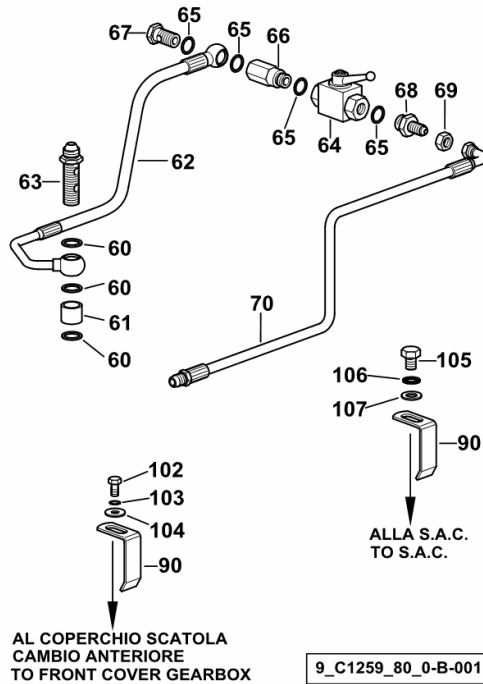
FRONT LIFT - HYDRAULIC SYSTEM

Fig.	Code	QTY	Name
------	------	-----	------

Notes:

[Agroplus 77 -> 5001]

	60	2.1560.014.0	10	gasket 18.2 x 24 x 1.5
	61	2.1579.936.2	1	spacer 19x25x20
	62	0.013.7810.3	1	tube
	63	2.3339.699.2/10	1	pipe union
	64	0.009.0375.4/10	1	valve
	65	2.1560.053.0	4	gasket 17 x 21
	66	0.009.3152.3/10	1	valve
	67	2.3339.063.2	1	pipe union 3/8" gas x 30
	68	2.3339.612.2/20	1	pipe fitting
	69	2.1019.093.2	1	nut 1/2 - 20 UNF-2B
	70	0.013.9494.3	1	tube
	71	0.009.2022.0/40	1	valve body
	72	0.009.2038.4/10	1	valve
	73	2.1560.002.0	1	gasket 6.12x12
	74	2.3110.427.1	1	plug m 6 p.1 x 10
	75	2.2810.003.0	1	ball mm 7.144
	76	2.4019.378.1	1	spring 7.1x15x0.4
	77	2.1560.006.0	1	gasket 10.2 x 16
	78	2.3199.151.2	1	plug m10x1.5x13
	79	2.3339.170.2/10	1	pipe fitting
	80	0.010.0427.0/20	1	accumulator
	81	2.3335.008.2	1	pipe union m 18 p.1.5 x 32
	82	2.6851.013.0	1	clamp 120-140
	84	2.1470.004.2	4	washer 8
	85	2.0112.204.2	2	screw m 8 p.1.25x14
	87	0.010.0412.3	1	tube
	88	0.010.0127.2	1	support
	89	2.0112.220.2	2	screw m 8 p.1.25x55
	90	0.010.0472.0/10	2	bracket
	102	2.0112.205.2	1	screw m 8 p.1.25 x 16
	103	2.1470.004.2	1	washer 8
	104	2.1312.004.2	1	washer 8.4
	105	2.0112.405.2	1	screw m 12 p.1.75x16
	106	2.1470.007.2	1	lock washer 12
	107	2.1310.007.2	1	flat washer 13.5



HYDRAULIC DISTRIBUTOR-PARTS

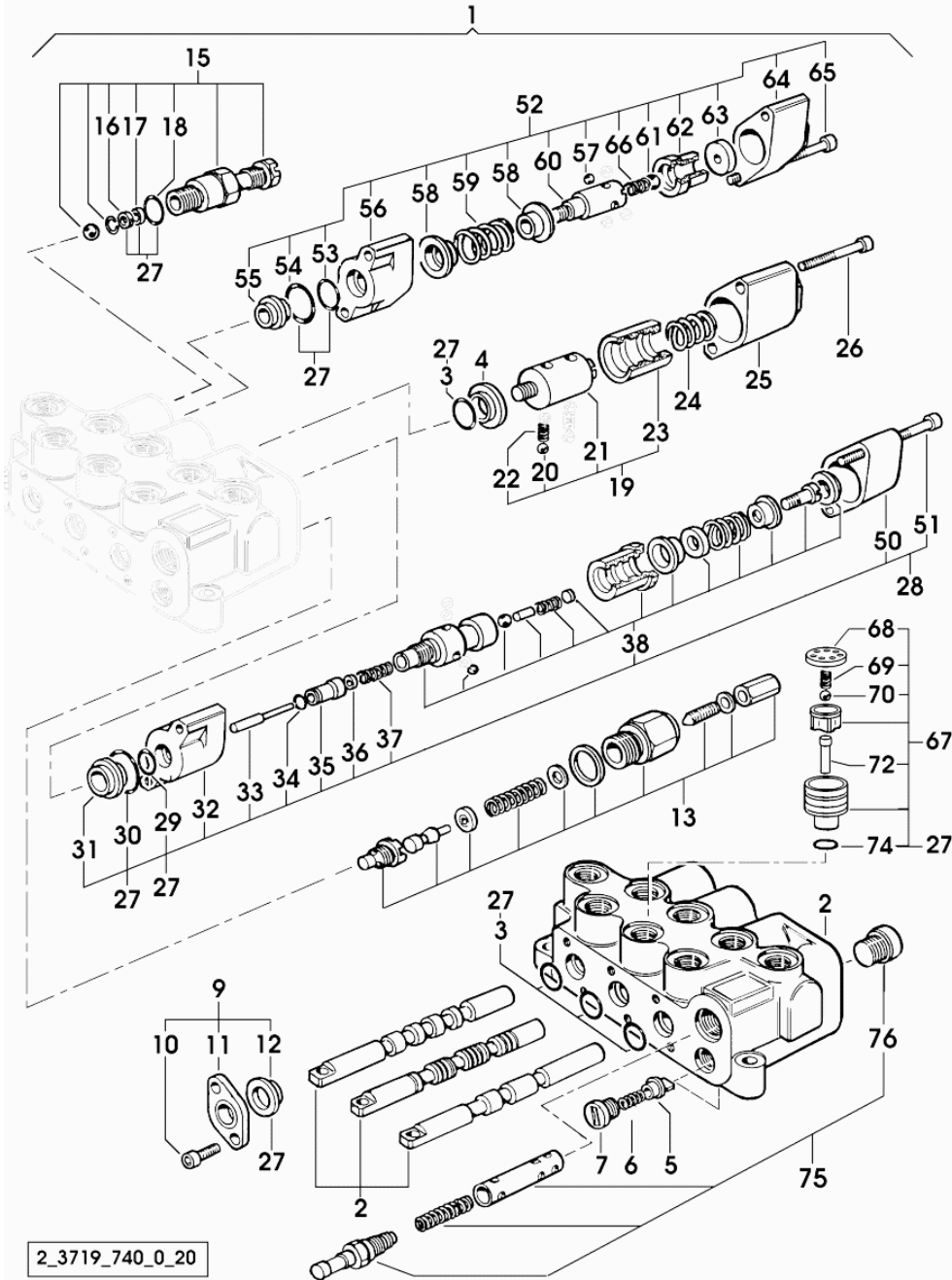


Fig.	Code	QTY	Name
58	0.010.2113.2	2	small cap
59	0.010.2116.1	1	spring
60	0.010.2116.2	1	pin
61	0.010.2117.0	1	ball
62	0.010.2117.1	1	sleeve
63	0.010.2117.2	1	spacer
64	0.010.2118.0	1	small cap
65	0.010.2118.1	2	screw
66	0.010.2118.2	1	spring
67	0.010.2284.1	1	valve
68	0.010.2284.2	1	screw
69	0.010.2285.0	1	spring
70	0.010.2111.2	1	ball
72	0.010.2285.2	1	pin
74	0.010.2286.1	1	ring
75	0.010.2283.0	1	valve
76	0.010.2107.2	1	plug

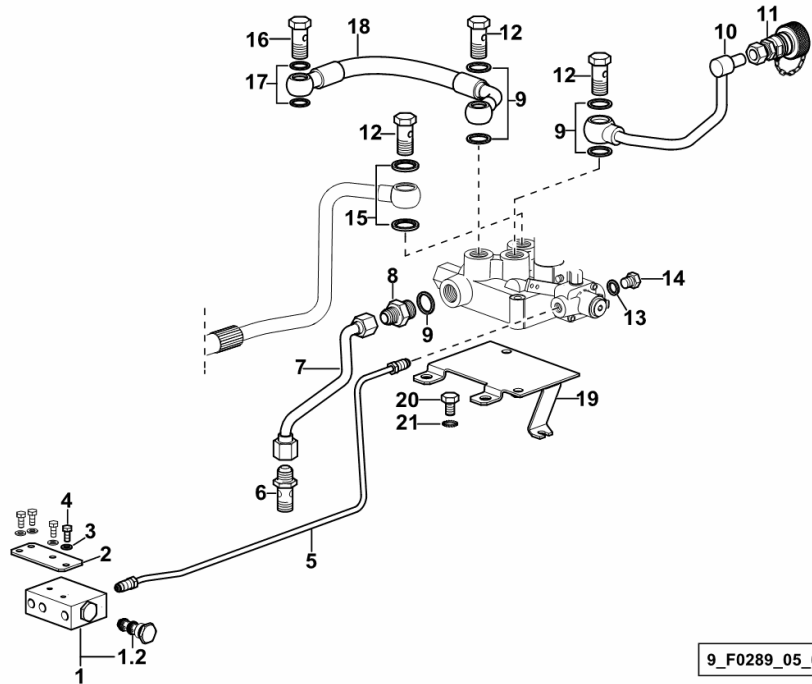
2_3719_740_0_20

HYDRAULIC TRAILER BRAKING SYSTEM

Fig.	Code	QTY	Name
------	------	-----	------

Notes:

[Agroplus 77 -> 5001]

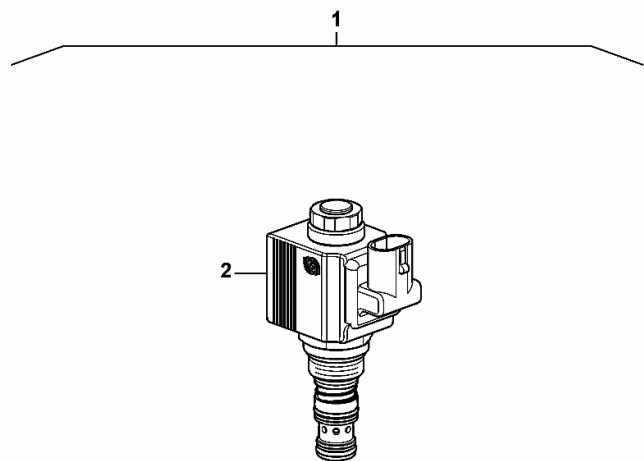


9_F0289_05_0-A-001

1	0.013.6665.4	1	valve
1.2	2.3719.760.0/20	1	valve
2	0.014.0083.0/10	1	bracket
3	2.1310.002.2	4	washer 6.6, d125
4	2.0112.004.2	4	screw m 6 p.1 x 14
5	0.014.0082.3	1	tube
6	2.3339.430.2/10	1	pipe fitting 3/4"-16jic - m 18x1.5
7	0.010.0421.3/10	1	tube
8	2.3339.223.2	1	pipe fitting m 22 p.1.5 / 3/4" - 16 JIC
9	2.1560.018.0	5	gasket 22.2 x 29
10	0.010.0418.3/30	1	tube
11	0.97112.68.4/10	1	coupling m 20
12	2.3335.009.2	3	pipe union m 22 p.1.5 x 39
13	2.1560.008.0	1	gasket 12.2 x 18
14	2.3110.422.1	1	plug m 12 p.1.25 x 10
15	2.1569.184.0	1	gasket 21.8x31.7
16	2.3335.008.2	1	pipe union m 18 p.1.5 x 32
17	2.1560.014.0	2	gasket 18.2 x 24 x 1.5
18	0.010.0419.3	1	tube
19	0.007.7993.2	1	support
20	2.0112.405.2	2	screw m 12 p.1.75x16
21	2.1470.007.2	2	lock washer 12

SOLENOID VALVE 13 V - 20 W, ON/OFF 3/2

Fig.	Code	QTY	Name
1	2.3729.697.0/10	1	electro valve 13V - 20W
2	0.010.2831.1	1	coil 13V - 20W



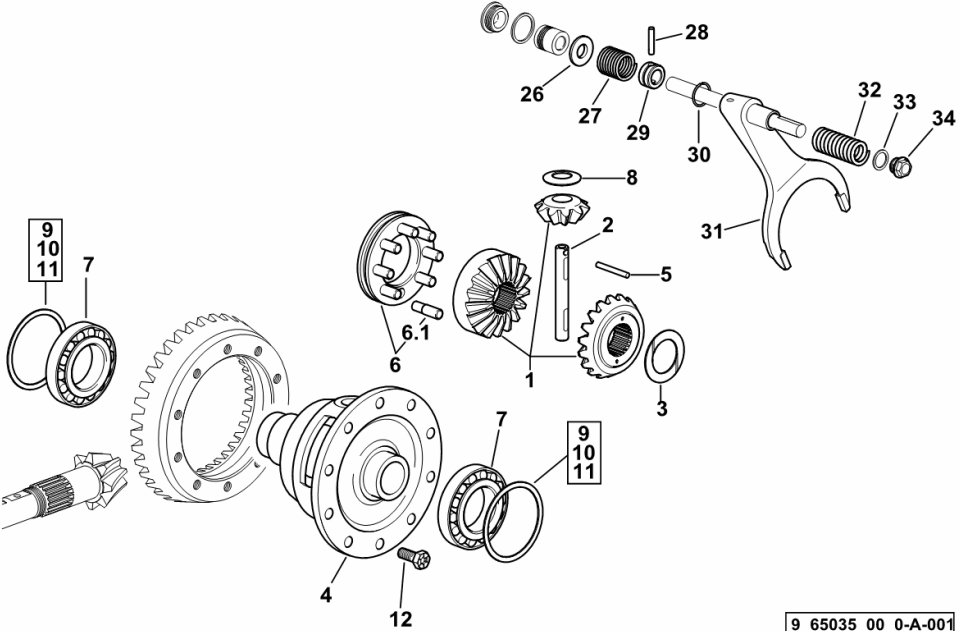
2.3729.697.0_10

Section: E0 - REAR AXLE
DIFFERENTIAL

Fig.	Code	QTY	Name
------	------	-----	------

Notes:
[Agroplus 77 -> 5001]

1	0.270.3522.3	1	crown wheel SET = 4 PARTS
2	0.008.5165.0	1	pin
3	2.1599.427.0/10	2	snoulder 42x64x0.3
4	0.008.5158.0/50	1	differential carrier
5	2.1631.519.0	1	roll pin 6x50
6	0.255.3527.3/20	1	sleeve
6.1	0.135.3550.0/10	8	pin
7	2.2520.012.0	2	roller bearing 55 x 100 x 22.75
8	0.255.3529.0	2	snoulder
9	2.1580.320.0	4	shim 86x98x0.2
10	2.1580.319.0	4	shim 86x98x0.5
11	2.1580.321.0	4	shim 86x98x0.15
12	2.0129.028.2	10	screw m 12 p.1.25x30
26	2.1549.119.0/10	1	spacer
27	2.4019.339.1	1	spring 32x56.5x3.5
28	2.1651.711.0	1	pin 8 x 14
29	0.008.5281.0	1	stop
30	2.1420.011.1	1	circlip Ø 28
31	0.008.5169.0/10	1	fork
32	2.4019.225.1	1	spring 28 x 79 x 4.5
33	2.1560.014.0	1	gasket 18.2 x 24 x 1.5
34	2.3110.405.1	1	plug m 18 p.1.5 x 15



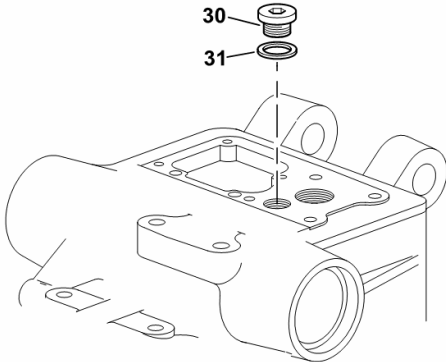
9_65035_00_0-A-001

PLUG

Fig.	Code	QTY	Name
------	------	-----	------

Notes:
- FOR TYPES WITH MECHANICAL REAR LIFT [Agroplus 77 -> 5001]

30	2.3120.002.4	1	plug m 22 x 1.5
31	2.1560.017.0	1	gasket 22.2 x 27

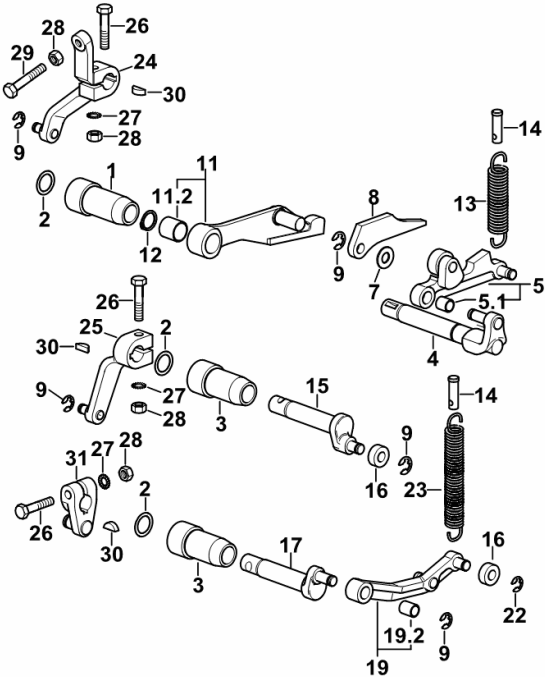


W9_64859_21_0-C-001

Section: R0 - REAR LIFT
INTERNAL CONTROLS

Fig.	Code	QTY	Name
------	------	-----	------

Notes:
 [Agroplus 77 -> 5001]

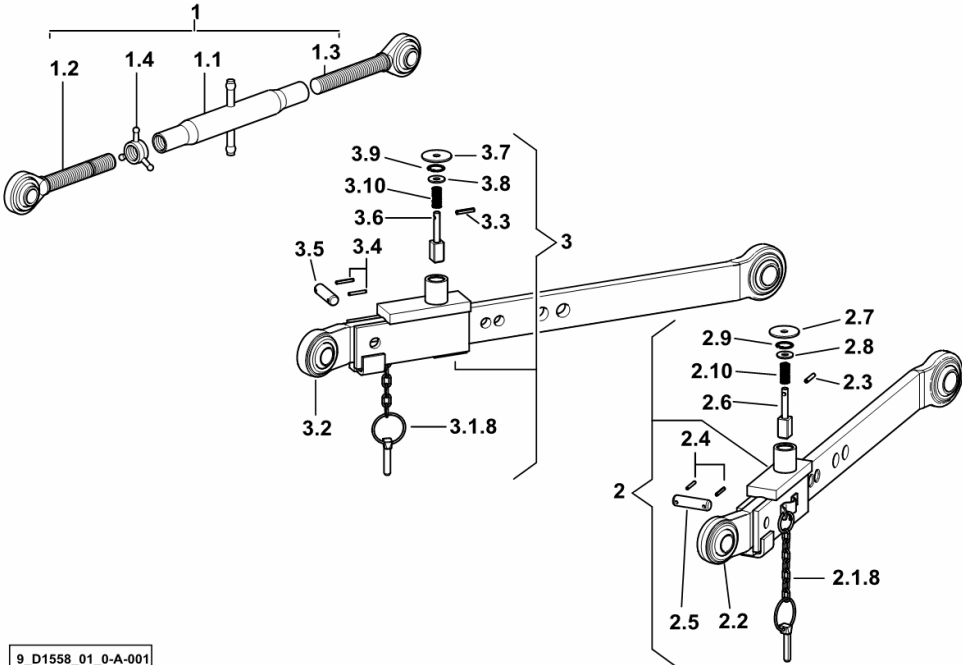


1	0.001.3659.0	1	bushing
2	2.1530.034.0	3	'o' ring 13.95x2.62
3	0.9104.425.0	2	bushing
4	0.009.2389.3/10	1	pin
5	0.009.2390.3/20	1	lever
5.1	2.1555.004.0	1	bushing 8x10x10
7	2.1310.004.2	1	flat washer 8.5
8	0.009.2391.0/10	1	lever
9	2.1430.008.7	5	circlip 7
11	0.009.2392.3	1	lever
11.2	2.1555.207.0	1	bushing 14x16x15
12	2.1410.003.1	1	circlip 14
13	2.4049.178.1/10	1	spring
14	0.9000.562.0	2	pin
15	0.9104.441.0/10	1	lever
16	0.001.3702.0	2	roller
17	0.009.2393.0/20	1	pin
19	0.009.2848.3	1	lever
19.2	2.1555.104.0	1	bushing 8x10x12
22	2.1430.007.7	1	circlip 6, d128
23	2.4049.183.1	1	spring
24	0.009.2394.3/10	1	lever
25	0.009.2395.3/20	1	lever
26	2.0112.011.2	3	screw m 6 p.1x30
27	2.1470.002.2	3	washer 6, d128
28	2.1011.103.2	4	nut m 6 p.1
29	2.0114.011.2	1	screw m 6 p,1x30
30	2.1720.005.0	3	key 4x5
31	0.009.2398.3/20	1	lever

Section: R0 - REAR LIFT
3-POINT LINKAGE

Fig.	Code	QTY	Name
------	------	-----	------

Notes:
 [Agroplus 77 -> 5001]



1	0.96079.13.4/30	1	top link
1.1	0.96018.13.3	1	sleeve
1.2	0.96044.14.3/20	1	rod dx/rh/re
1.3	0.760.3515.3/10	1	rod sx/lh/li
1.4	0.96014.57.0/10	1	locknut m 27 p.3
2	0.013.6581.4/10	1	arm dx/rh/re
2.1.8	0.001.3041.4	1	pin
2.2	0.013.6590.3	1	right hand arm
2.3	2.1632.615.2	1	pin 6 x 32
2.4	2.1631.415.2	2	pin 5x32
2.5	2.1660.812.2	1	pin 18x65x57
2.6	0.013.6657.0	1	pin
2.7	2.1399.515.2	1	washer 11x50x3
2.8	2.1399.514.2	1	washer 10.5x27.5x2.5
2.9	2.1411.011.7	1	circlip 28
2.10	2.4019.780.2	1	spring
3	0.013.6721.4/10	1	arm sx/lh/li
3.1.8	0.001.3041.4	1	pin
3.2	0.013.6591.3	1	left hand arm
3.3	2.1632.615.2	1	pin 6 x 32
3.4	2.1631.415.2	2	pin 5x32
3.5	2.1660.812.2	1	pin 18x65x57
3.6	0.013.6657.0	1	pin
3.7	2.1399.515.2	1	washer 11x50x3
3.8	2.1399.514.2	1	washer 10.5x27.5x2.5
3.9	2.1411.011.7	1	circlip 28
3.10	2.4019.780.2	1	spring

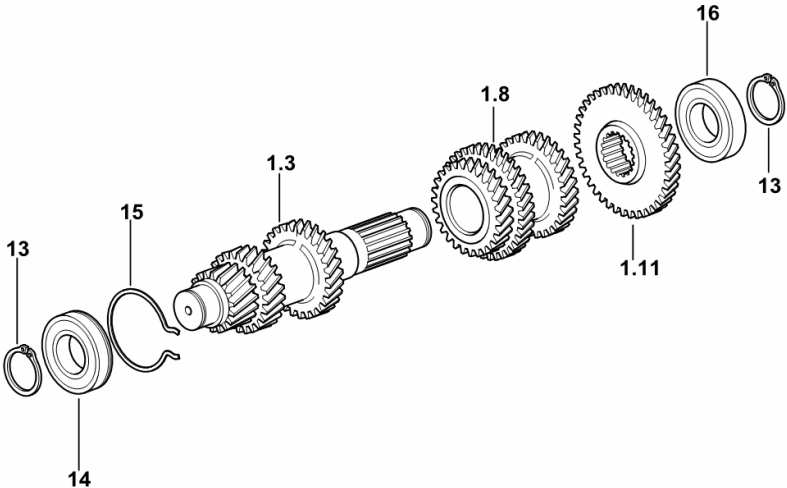
9_D1558_01_0-A-001

5-SPEED GEARBOX PRIMARY SHAFT WITH UNDERDRIVE

Fig.	Code	QTY	Name
------	------	-----	------

Notes:
 - OVER SPEED [Agroplus 77 -> 5001]

1.3	0.013.1628.0	1	shaft Z = 19 / 23 / 30
1.8	0.013.1645.0	1	gear Z = 27 / 37 / 31
1.11	0.013.1631.0	1	gear Z = 44
13	2.1410.014.1	2	circlip 35
14	2.2999.114.0	1	ball bearing 35 x 72 x 17
15	2.1499.124.1/10	2	circlip 68 x 1.7
16	2.2045.011.0	1	ball bearing 35 x 72 x 17



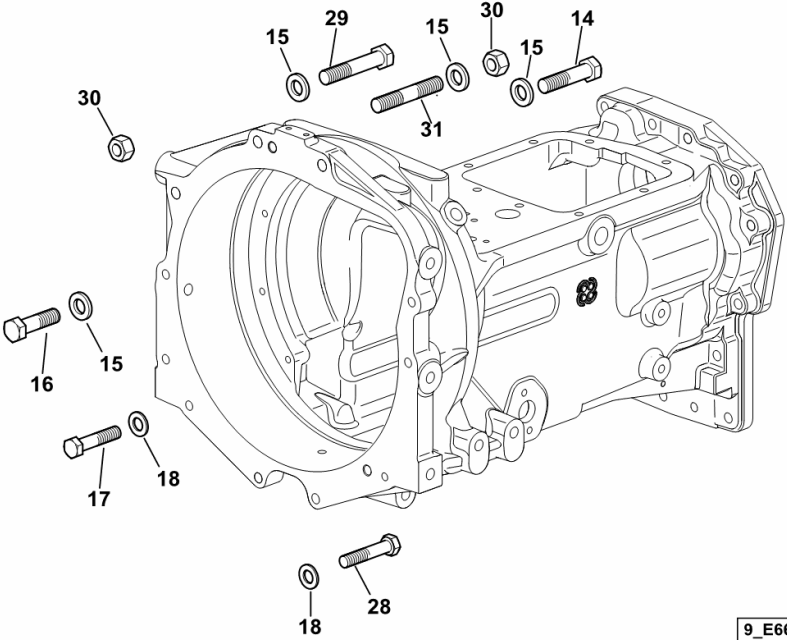
9_D3233_06_0-A-001

Section: D0 - TRANSMISSION
GEARBOX FRONT- FIXINGS

Fig.	Code	QTY	Name
------	------	-----	------

Notes:
[Agroplus 77 -> 5001]

14	2.0112.521.2	1	screw m 14 p.2 x 60
15	2.1475.205.7	7	washer 15x35
16	2.0112.513.2	4	screw m 14 p.2 x 35
17	2.0112.419.2	2	screw m 12 p.1.75 x 50
18	2.1475.004.7	4	washer 13 x 24
28	2.0112.421.2	2	screw m 12 p.1.75 x 60
29	2.0112.523.2	1	screw m 14 p.2x70
30	2.1011.108.2	2	nut m 14 p.2
31	2.0422.520.2	1	stud bolt m 14x75

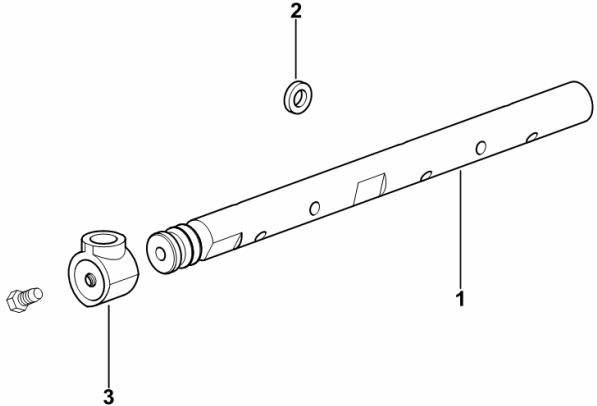


Section: D0 - TRANSMISSION
GEARBOX CONTROL ROD

Fig.	Code	QTY	Name
------	------	-----	------

Notes:
[Agroplus 77 -> 5001]

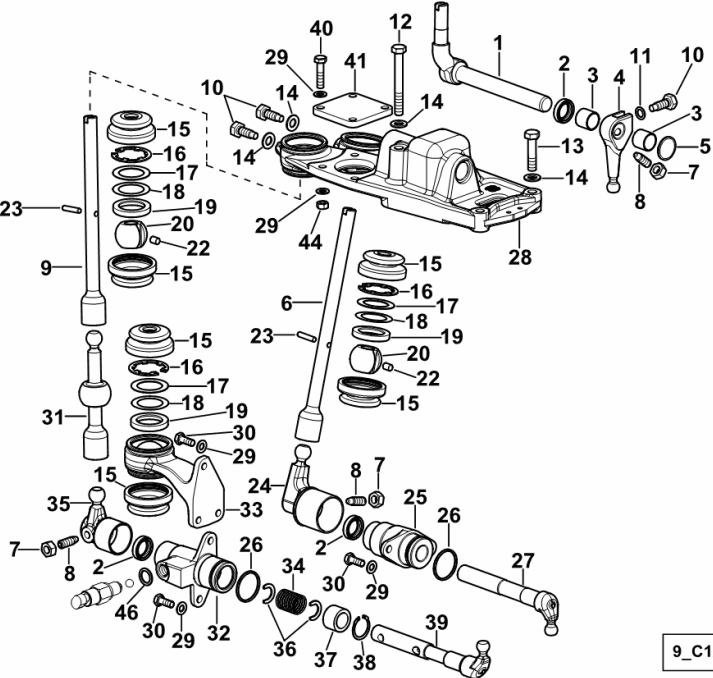
1	0.008.5130.0/70	1	rod
2	2.1599.210.0/10	2	spacer 10.5x19x4
3	0.008.5226.0/20	1	hub



9_C1233_05_0-A-001

Section: D0 - TRANSMISSION
GEAR SHIFTING

Fig.	Code	QTY	Name
			GEAR SHIFTING
36	0.008.5405.0	2	ring
37	2.1559.311.0	1	bushing 20x30x20
38	2.1419.073.0	1	circlip 30x1.2
39	0.015.3411.0	1	lever
			GEAR SHIFTING
40	2.0112.213.2	4	screw m 8 p.1.25 x 35
41	0.013.3507.0	1	cover
44	2.1011.105.2	4	nut m 8 p.1.25
46	2.1560.012.0	1	gasket 16.2 x 22 x 1.5



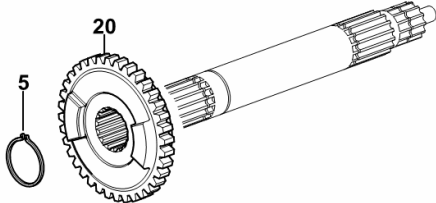
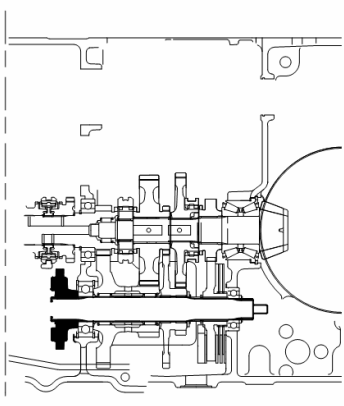
9_C1264_02_0-A-002

PHONIC WHEEL FOR TYPES WITH ELECTROHYDRAULIC 4WD ENGAGEMENT

Fig.	Code	QTY	Name
------	------	-----	------

Notes:
[Agroplus 77 -> 5001]

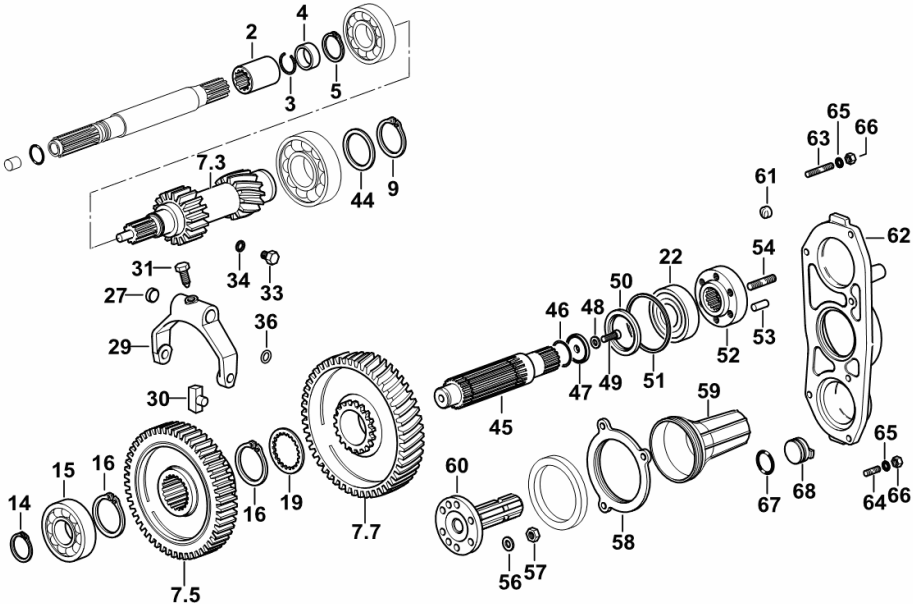
5	2.1419.128.7	3	circlip 35
20	0.014.1994.0	1	gear Z = 36



9_C1238_00_0-B-001

P.T.O. - 540/N - WITH INSERTED END SHAFTS

Fig.	Code	QTY	Name
66	2.1011.105.2	7	nut m 8 p.1.25
67	2.1530.079.0	1	'o' ring 29.82 x 2.62
68	0.014.1957.0	1	plug



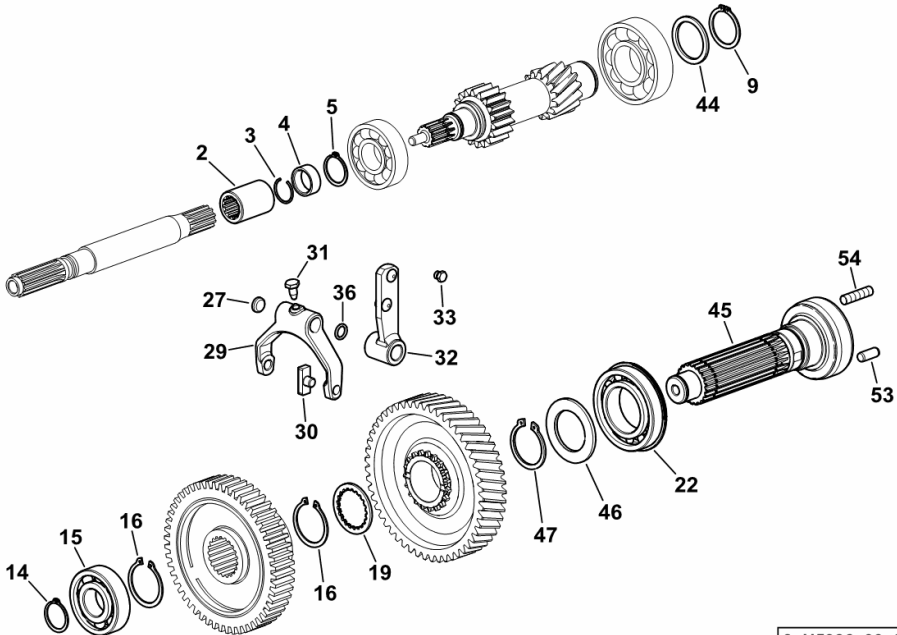
9_E6036_10_0-A-001

PTO - 2-SPEED WITH INSERTED END SHAFT 540-750

Fig.	Code	QTY	Name
------	------	-----	------

Notes:
 [Agroplus 77 -> 5001]

2	0.010.7696.0	1	sleeve Z = 11
3	2.1421.010.7	1	circlip 25
4	2.1549.172.0	1	spacer 24.7 x 31 x 12
5	2.1410.012.1	1	circlip 30
9	2.1410.016.1	1	circlip 40
14	2.1410.012.1	1	circlip 30
15	2.2060.009.0	1	ball bearing 30 x 72 x 19
16	2.1410.018.7	2	circlip 45
19	2.1599.828.0/10	1	thrust plate 41 x 55 x 3
22	2.2999.204.0	1	bearing 50 x 90 x 20
27	2.3171.006.4	5	plug Ø 16
29	0.010.0468.0	1	fork
30	0.255.6463.0	2	shoe
31	2.0399.019.1	2	screw m 8 p.1 x 16
32	0.012.0107.3	1	lever
33	2.3110.428.1	1	plug m 8 p.1 x 10
36	2.1530.028.0	1	'o' ring 11.91 x 2.62
44	2.1599.414.0	1	snoulder 40 x 50 x 3.0
45	0.014.3735.0	1	shaft
46	2.1599.891.0	1	snoulder 45 x 70 x 4
47	2.1412.017.7	1	circlip 45
53	2.1651.811.0	2	cylindrical plug 10x24
54	2.0432.155.7	6	stud bolt m 10 p.1.5 / p. 1.25 x 25



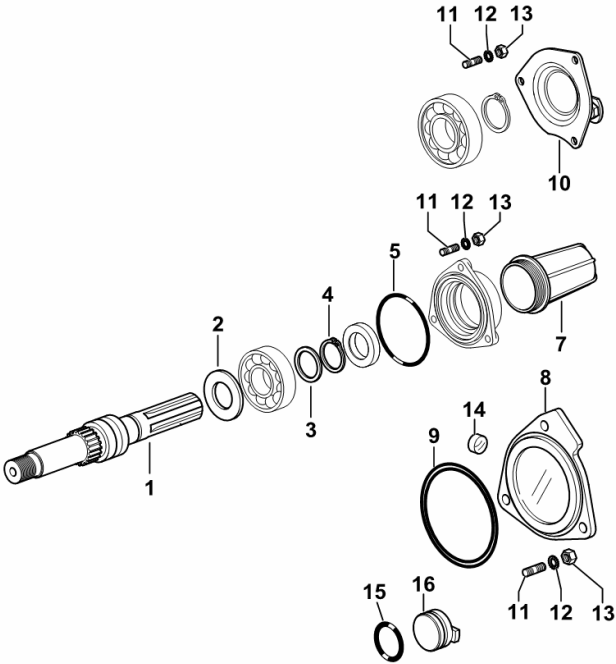
9_H5936_00_0-A-001

P.T.O. - 3 SPEED TYPE - FIXED END SHAFT

Fig.	Code	QTY	Name
------	------	-----	------

Notes:
 [Agroplus 77 -> 5001] 5049 <-

1	0.010.7702.0/10	1	p.t.o.shaft
2	2.1599.792.0	1	shoulder
3	2.1599.874.0	1	washer 35 x 45 x 3.0
4	2.1412.013.7	1	ring Ø 35
5	2.1539.025.0/10	2	'o' ring 88.57 x 2.62
7	0.154.3655.0/10	1	guard
8	0.008.4984.2/30	1	cover
9	2.1539.025.0/10	1	'o' ring 88.57 x 2.62
10	0.008.5181.3/30	1	complete cover
11	2.0422.203.7	9	stud bolt m 8 p.1.25 x 20
12	2.1470.004.2	9	washer 8
13	2.1011.105.2	9	nut m 8 p.1.25
14	2.3171.006.4	1	plug Ø 16
15	2.1530.079.0	1	'o' ring 29.82 x 2.62
16	0.014.1957.0	1	plug (-> 5001)



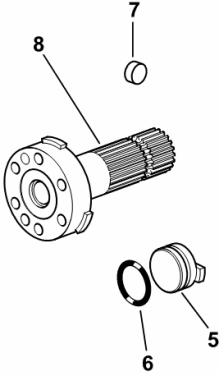
9_B6136_04_0-A-001

PTO - 3-SPEED WITH INSERTED END SHAFT 540-750-1000

Fig.	Code	QTY	Name
------	------	-----	------

Notes:
- EXPORT U.S.A. [Agroplus 77 -> 5001]

5	0.014.1957.0	1	plug
6	2.1530.079.0	1	'o' ring 29.82 x 2.62
7	2.3171.006.4	1	plug Ø 16
8	0.012.3838.0	1	p.t.o.shaft Z = 21



9_17336_01_0-B-001

Agroplus 77 -> 5001

S0 - WHEELS

FRONT WHEEL BOLTS

4WD - FRONT WHEEL MOUNTING..... S0.01.1 (1)

REAR WHEEL BOLTS

REAR WHEEL BOLTS..... S0.02.1 (1)

WHEELS

WHEELS 320/85R20"(12.4R20")..... S0.04.4 (2)

WHEELS 360/70R20"a8..... S0.04.5 (1)

WHEELS 360/70R20"a8..... S0.04.7 (1)

WHEELS 380/70 R20" A8..... S0.04.8 (1)

WHEELS 405/70 R20"..... S0.04.9 (1)

WHEELS 405/70 R20"..... S0.04.10 (1)

WHEELS 420/65R20" A8..... S0.04.11 (1)

WHEELS 11.2-24" PR10 A8..... S0.04.12 (1)

WHEELS 280/85R24"(11.2R24")..... S0.04.13 (1)

WHEELS 320/70 R24" A8..... S0.04.14 (1)

WHEELS 540/65R28" A8..... S0.04.18 (1)

WHEELS 16.9R-30" PR10A8..... S0.04.19 (1)

WHEELS 380/85R30"(14.9R30")..... S0.04.20 (1)

WHEELS 380/85R30"(14.9R30")..... S0.04.20 (2)

WHEELS 420/70 R30" A8..... S0.04.22 (1)

WHEELS 420/85R30"(16.9R30")..... S0.04.25 (1)

WHEELS 480/70R-30" a8..... S0.04.26 (1)

WHEELS 480/70R30 GRUNLAND..... S0.04.27 (1)

WHEELS 540/65R30"..... S0.04.28 (1)

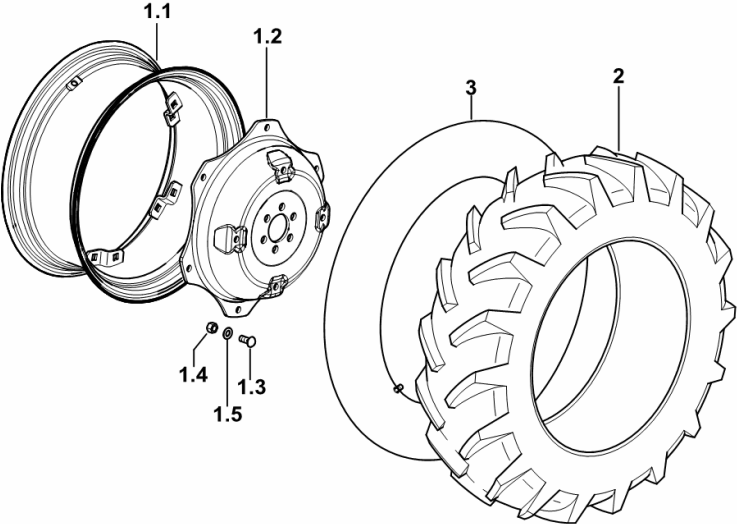
WHEELS 13.6R36" a8..... S0.04.31 (1)

Section: S0 - WHEELS
WHEELS 11.2-24" PR10 A8

Fig.	Code	QTY	Name
------	------	-----	------

Notes:
[Agroplus 77 -> 5001]

1.1	0.012.2797.3	1	rim W 10x24" C/ST.
1.2	0.012.6096.0	1	rim center flange
1.3	2.0099.005.6	6	screw m 16 p.1.5 x 38
1.4	2.1011.309.6	6	nut m 16 p.1.5
1.5	2.1499.019.6	6	washer 16.3 x 31.5
2	2.4811.249.0	2	tyre 11.2-24" PR10 A8
3	2.4820.027.0	2	air chamber



9_E6155_20_0-A-001

CLICK HERE TO **DOWNLOAD** THE COMPLETE MANUAL

- Thank you very much for reading the preview of the manual.
- You can download the complete manual from: www.heydownloads.com by clicking the link below



- Please note: If there is no response to CLICKING the link, please download this PDF first and then click on it.

CLICK HERE TO **DOWNLOAD** THE COMPLETE MANUAL