

## Agroplus 67 -> 5001

### V0 - BALLAST, TOWING HITCHES

#### FRONT HITCHES

FRONT TOWING HITCH.....	V0.01.0 (1)
FRONT TOWING HITCH.....	V0.01.1 (1)

#### REAR HITCHES

SPACER FOR TYPES WITH P.T.O. - 540/N - WITH INSERTED END SHAFTS.....	V0.02.1 (1)
SPACERS FOR P.T.O. - 540 - 750 - WITH INSERTED END SHAFTS.....	V0.02.2 (1)
SPACERS FOR P.T.O. - 540 - 750 - WITH INSERTED END SHAFTS.....	V0.02.3 (1)
SPACER FOR TYPES WITH 2-SPEED P.T.O. WITH INSERTED END SHAFTS 540-750.....	V0.02.4 (1)
SEPARATOR - PTO - 3-SPEED WITH INSERTED END SHAFT.....	V0.02.7 (1)
SPACER FOR TYPES WITH PTO WITH INTERCHANGEABLE OUTPUT SHAFTS - 2 -SPEED + GROUNDSP. AND 3- SPEED.....	V0.02.8 (1)
SUPPORTS.....	V0.02.9 (1)
SUPPORTS.....	V0.02.10 (1)
PIN FOR REAR TOW HOOK.....	V0.02.11 (1)
REAR TOWING HITCH.....	V0.02.12 (1)
REAR TOWING HITCH CAT. " D ".....	V0.02.13 (1)
REAR TOWING HITCH.....	V0.02.15 (1)
REAR TOWING HITCH BRACKET.....	V0.02.16 (1)
REAR TOWING HITCH BRACKET.....	V0.02.17 (1)
REAR TOWING HITCH BRACKET.....	V0.02.17 (2)
REAR TOWING HITCH BRACKET.....	V0.02.18 (1)
FRAME HOOK HOLDER - FOR TYPES WITH PITON-FIX.....	V0.02.19 (1)
FRAME HOOK HOLDER - FOR TYPES WITH PITON-FIX.....	V0.02.19 (2)
FRAME HOOK HOLDER - FOR TYPES WITH PITON-FIX.....	V0.02.19 (3)
FRAME HOOK HOLDER - FOR TYPES WITH PITON-FIX.....	V0.02.20 (1)
REAR TOWING HITCH CAT. " C ".....	V0.02.21 (2)
REAR TOWING HITCH CEE.....	V0.02.22 (2)
REAR TOWING HITCH CAT. " D ".....	V0.02.23 (2)
REAR TOWING HITCH CAT. " D2 ".....	V0.02.25 (1)
AUTOMATIC REAR TOWING HITCH CEE Ø 31.....	V0.02.26 (1)
DRAWBAR COUPLING AUTOM. Ø 38.....	V0.02.27 (2)
REAR TOWING HITCH CEE.....	V0.02.28 (1)
REAR TOWING HITCH CEE.....	V0.02.29 (1)
REAR SWINGING TOWING-HITCH.....	V0.02.31 (1)
REAR SWINGING TOWING-HITCH.....	V0.02.32 (1)
REAR SWINGING TOWING-HITCH.....	V0.02.33 (1)
PICK-UP-HITCH - MECHANICAL.....	V0.02.35 (1)
DRAWBAR COUPLING mm 38.....	0.014.4449.3/30.A
REAR TOWING HITCH CAT: "C".....	0.014.4450.3.A
REAR TOWING HITCH CAT: "D".....	0.014.4451.3.A
DRAWBAR COUPLING.....	0.014.4453.3/10.A
DRAWBAR COUPLING.....	0.014.4454.3/20.A

CLICK HERE TO **DOWNLOAD** THE COMPLETE MANUAL

- Thank you very much for reading the preview of the manual.
- You can download the complete manual from: [www.heydownloads.com](http://www.heydownloads.com) by clicking the link below



- Please note: If there is no response to CLICKING the link, please download this PDF first and then click on it.

CLICK HERE TO **DOWNLOAD** THE COMPLETE MANUAL

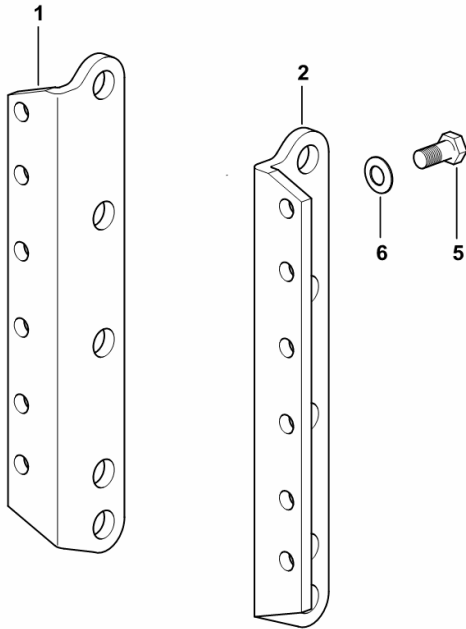
**SUPPORTS**

Fig.	Code	QTY	Name
------	------	-----	------

**Notes:**

[Agroplus 67 -> 5001] 5020 <-

1	0.011.7185.0	1	support dx/rh/re
2	0.011.7186.0	1	support sx/lh/li
5	2.0312.614.2	12	screw m16x2x40
6	2.1475.006.2	12	washer 16



9\_18331\_50\_0-A-001

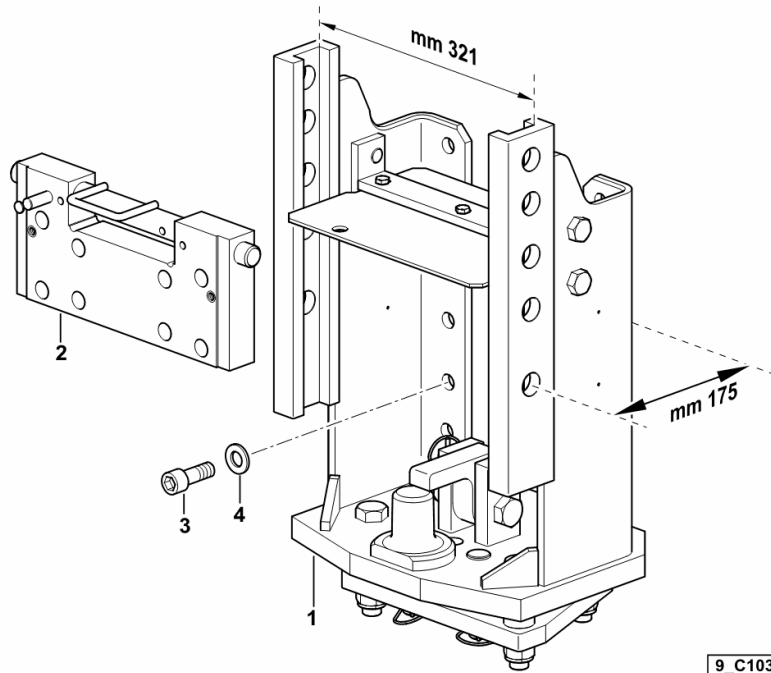
**FRAME HOOK HOLDER - FOR TYPES WITH PITON-FIX**

Fig.	Code	QTY	Name
------	------	-----	------

**Notes:**

[Agroplus 67 -> 5001] 5019 <-

1	0.014.5718.4/20	1	chassis frame ☞ 0.014.5718.4/20
2	0.014.4485.3	1	plate - V.ORLANDI - ☞ 0.014.4485.3
3	2.0314.615.2	12	screw m 16 p.2x45
4	2.1475.006.2	12	washer 16



9\_C1031\_54\_0-A-001

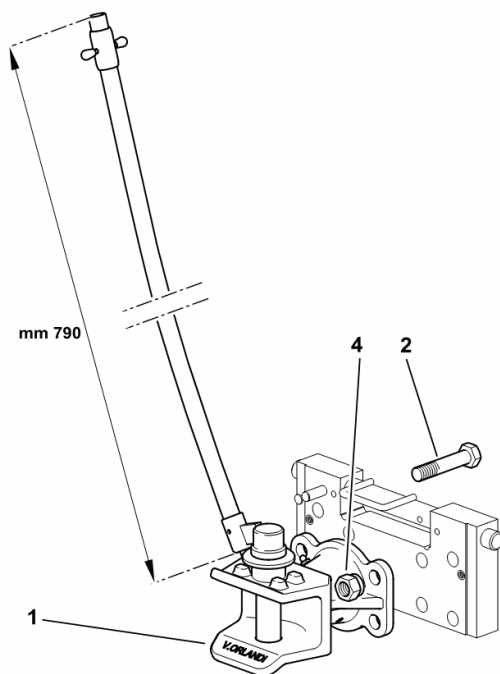
**REAR TOWING HITCH CEE**

Fig.	Code	QTY	Name
------	------	-----	------

**Notes:**

- EXPORT A [Agroplus 67 -> 5001]

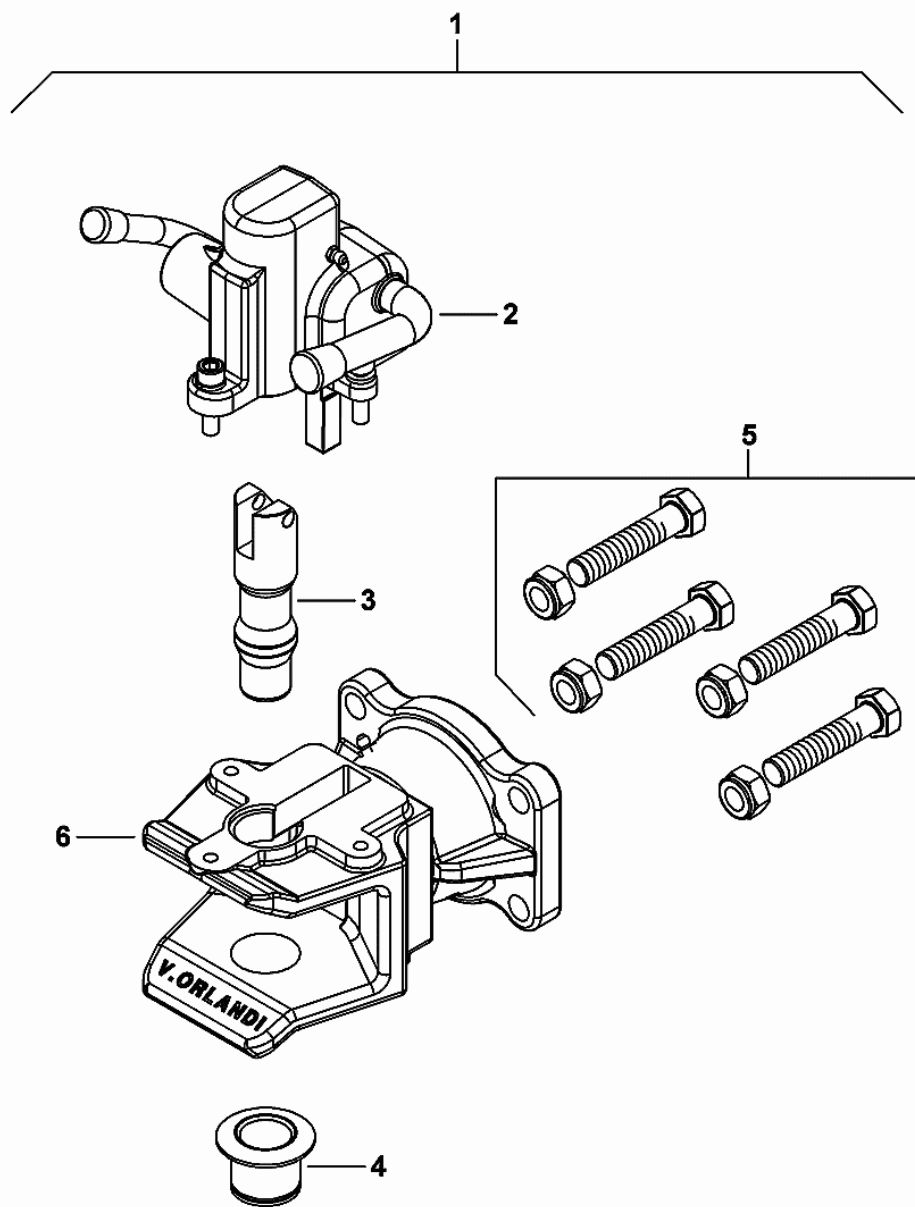
1	0.014.4457.3	1	tow hook ☞ 0.014.4457.3
2	2.0112.727.2	4	screw m 18 p.2.5 x 90
4	2.1129.014.2	4	nut m 18 p.2.5



9\_C0731\_65\_0-A-001

**DRAWBAR COUPLING**

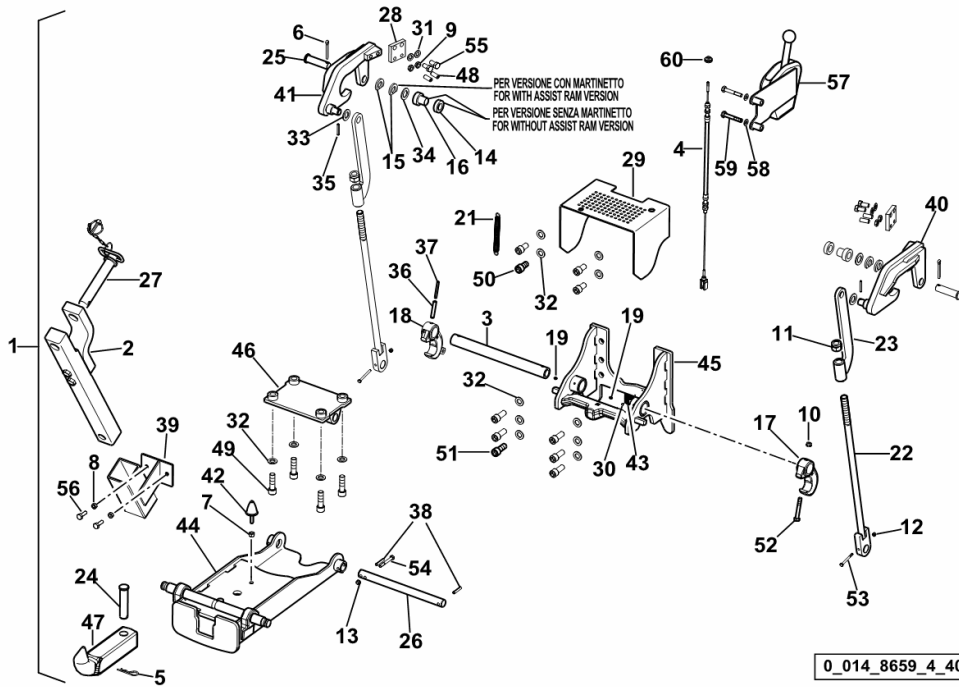
Fig.	Code	QTY	Name
1	0.014.4454.3/20	1	automatic hook V.ORLANDI - CEE Ø 38
2	0.900.0307.3	1	accessories
3	0.900.0307.4	1	pin mm 38
4	0.900.0307.5	1	sleeve
5	0.900.0306.5	1	screw m 18
6	0.000.0000.1	0	not serviceable



0\_014\_4454\_3\_20

PICK-UP-HITCH

Fig.	Code	QTY	Name
1	0.014.8659.4/40	1	clevis
2	0.900.1364.6	1	draw bar
3	0.900.0508.9	1	bushing
4	0.010.3105.1	1	cable
5	0.900.0509.0	1	split pin
6	0.010.3112.1	2	split pin
7	0.900.0509.1	1	nut m 10
8	0.010.3114.2	2	nut m 10
9	0.900.0527.6	4	nut m 12
10	0.96093.70.0	1	nut m 10 p.1.5
11	0.900.0509.3	2	nut m 20
12	0.010.3108.2	2	nut m 6
13	0.010.3116.1	1	nut m 8
14	0.010.3113.0	2	spacer
15	0.010.3111.2	4	spacer
16	0.010.3112.2	2	spacer
17	0.900.0509.4	1	clevis
18	0.900.0509.5	1	clevis
19	04418473	2	lubricator m 6 p.1
21	0.900.0509.6	1	spring
22	0.900.0509.7	2	rod
23	0.900.0509.8	2	rod
24	0.900.0509.9	1	pin
25	0.010.3111.1	2	pin
26	0.900.0510.0	1	pin
27	0.900.1364.7	1	pin
28	0.010.3109.2	2	small plate
29	0.900.0510.1	1	guard
30	0.900.0510.2	2	rivet Ø 3.5 / L = 6.5
31	0.010.3110.1	4	washer
32	0.010.3108.0	14	washer 17x30
33	04418501	2	washer
34	0.010.3112.0	2	washer
35	0.010.3103.2	2	pin
36	0.900.0510.3	1	pin 10x55
37	0.900.0510.4	1	pin 6x55
38	0.900.0510.5	2	washer
39	0.010.3114.0	1	bracket
40	0.900.1364.8	1	bracket dx/rh/re
41	0.900.1364.9	1	bracket sx/lh/li
42	0.900.0510.6	1	stopper
43	0.000.0000.1	0	not serviceable
44	0.900.0510.7	1	chassis frame
45	0.900.0510.8	1	chassis frame



INFORMATION PLATE.....	G0.02.61 (1)
REAR LIFT MOVEMENT WARNING LABEL SX/LH/LI - DX/RH/RE.....	G0.02.62 (1)
REAR LIFT MOVEMENT WARNING LABEL - DX/RH/RE.....	G0.02.63 (1)
REAR LIFT MOVEMENT WARNING LABEL SX/LH/LI - DX/RH/RE.....	G0.02.63 (2)
REAR LIFT MOVEMENT WARNING LABEL SX/LH/LI - DX/RH/RE.....	G0.02.64 (1)
SOLENOID VALVE IDENTIFICATION PLATES.....	G0.02.65 (1)
PTO DATA PLATE 540/N.....	G0.02.66 (1)
PTO DATA PLATE 540 - 750.....	G0.02.67 (1)
PTO DATA PLATE 540 - 750 + SYNCRO.....	G0.02.69 (1)
PTO DATA PLATE 540 - 750 - 1000.....	G0.02.71 (1)
SPEED LABEL - 40 KM/H - REFLEX.....	G0.02.72 (1)
SPEED LABEL - 40 KM/H - REFLEX.....	G0.02.73 (1)
SPEED LABEL - 40 KM/H.....	G0.02.74 (1)
<b>CAB STRUCTURE - PLATFORM -SUSPENSION</b>	
PLATFORM.....	G0.03.0 (1)
CAB STRUCTURE.....	G0.03.1 (1)
FLOOR PLUG.....	G0.03.2 (1)
FLOOR HOLE REDUCTION PLATE W/ ELECTRONIC REAR LIFT.....	G0.03.3 (1)
GEAR LEVERS BASE.....	G0.03.4 (1)
SPREADER PLATES.....	G0.03.6 (1)
LADDER - DX/RH/RE.....	G0.03.7 (1)
LADDER - SX/LH/LI.....	G0.03.8 (1)
SILENTBLOCK AND SUPPORTS.....	G0.03.10 (1)
<b>FENDERS - FOOTSTEPS - EXTENSIONS</b>	
4WD - FRONT MUDGUARDS mm 265.....	G0.04.2 (1)
4WD - FRONT MUDGUARDS mm 310.....	G0.04.3 (1)
4WD - FRONT MUDGUARDS mm 310.....	G0.04.4 (1)
4WD - FRONT MUDGUARDS mm 355.....	G0.04.5 (1)
4WD - SELF-ADJUSTING FRONT FENDERS mm 310.....	G0.04.6 (1)
4WD - SELF-ADJUSTING FRONT FENDERS mm 355.....	G0.04.7 (1)
MUDGUARDS EXTENSIONS mm 108.....	G0.04.8 (1)
MUDGUARDS EXTENSIONS L=180.....	G0.04.9 (1)
MUDGUARDS EXTENSIONS mm 200.....	G0.04.10 (1)
MUDGUARDS EXTENSIONS L = mm 240.....	G0.04.11 (1)
FENDERS SX/LH/LI - DX/RH/RE.....	G0.04.12 (1)
FENDERS SX/LH/LI - DX/RH/RE.....	G0.04.13 (1)
FENDERS SX/LH/LI - DX/RH/RE.....	G0.04.13 (2)
FENDERS SX/LH/LI - DX/RH/RE.....	G0.04.14 (1)
LICENSE PLATE HOLDER SUPPORT.....	G0.04.15 (1)
BRACKET - SPEED LABEL.....	G0.04.16 (1)
<b>DOORS - WINDOWS - WIPERS</b>	
WINDSCREEN.....	G0.05.0 (1)
GLASSES AND SEALS.....	G0.05.1 (1)
GLASSES AND SEALS.....	G0.05.1 (2)

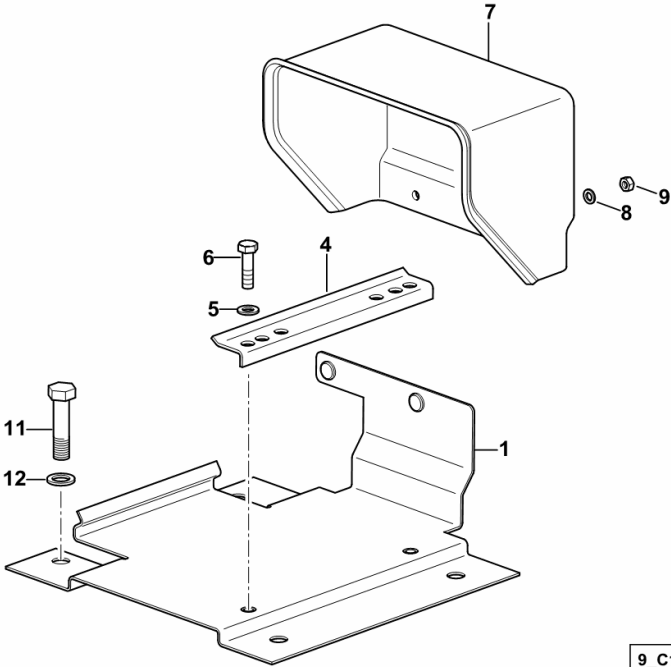


**BATTERY SUPPORT**

Fig.	Code	QTY	Name
------	------	-----	------

**Notes:**  
 - FOR TYPES W/O FRONT LIFT BUT WITH PROVISION FOR FRONT LIFT INSTALLATION [Agroplus 67 -> 5001]

1	0.014.3623.3	1	support
4	0.007.5411.0/10	1	crosspiece
5	2.1310.004.2	1	flat washer 8.5
6	2.0112.211.2	1	screw m 8 p.1.25 x 30
7	0.014.0172.0	1	cover
8	2.1470.002.2	2	washer 6, d128
9	2.1011.103.2	2	nut m 6 p.1
11	2.0112.419.2	4	screw m 12 p.1.75 x 50
12	2.1470.007.2	4	lock washer 12



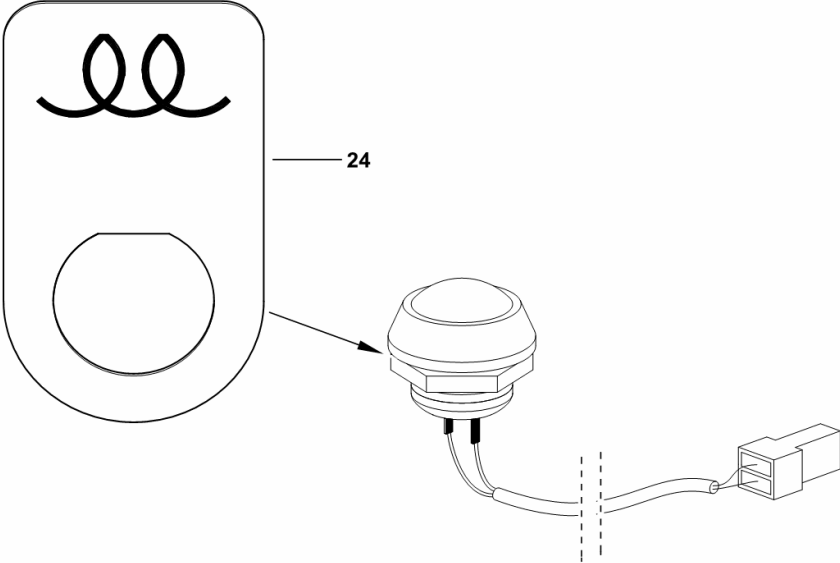
9\_C1273\_07\_0-A-002

Section: G0 - BODYWORK - CAB  
**PREHEATER BUTTON PLATE**

Fig.	Code	QTY	Name
------	------	-----	------

Notes:  
- EXPORT U.S.A. [Agroplus 67 -> 5001]

24	2.9929.549.0/10	1	plate
----	-----------------	---	-------



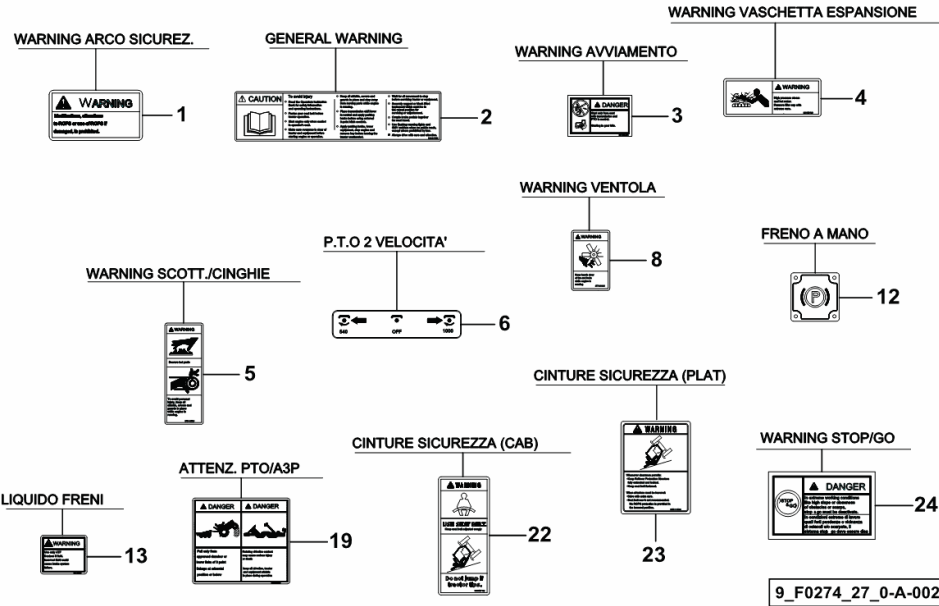
9\_H6084\_04\_0-E-001

Section: G0 - BODYWORK - CAB  
SIGN SET

Fig.	Code	QTY	Name
------	------	-----	------

Notes:  
[Agroplus 67 -> 5001] -> 5032 - 5082 <-

1	2.9929.699.0/10	1	plate
2	2.9929.848.0/10	1	plate
3	2.9929.854.0	1	plate
4	2.9929.792.0	1	plate
5	2.9929.791.0	2	plate
6	2.9929.846.0/10	1	plate
8	2.9929.794.0	2	plate
12	2.9929.702.0/10	1	plate
13	2.9929.861.0	1	plate
19	2.9929.856.0	1	plate
22	2.9929.857.0	1	plate
23	2.9929.858.0	1	plate
24	2.9939.189.0	1	plate



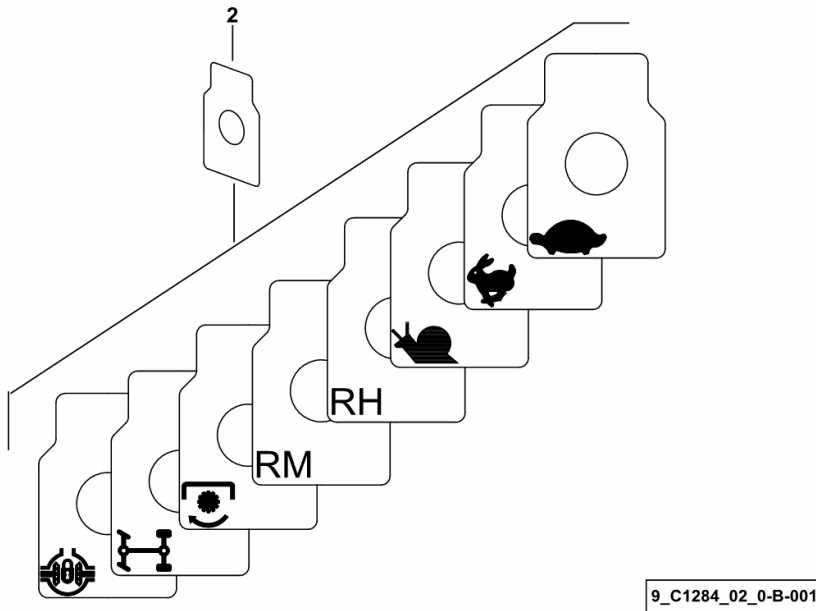
**SOLENOID VALVE IDENTIFICATION PLATES**

Fig.	Code	QTY	Name
------	------	-----	------

**Notes:**

[Agroplus 67 -> 5001]

2	0.011.7710.0	1	plate
---	--------------	---	-------

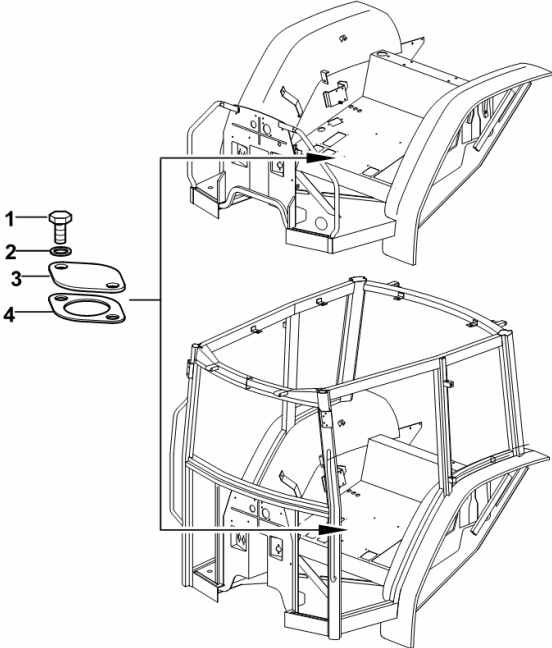


FLOOR PLUG

Fig.	Code	QTY	Name
------	------	-----	------

Notes:  
[Agroplus 67 -> 5001]

1	2.0112.205.2	2	screw m 8 p.1.25 x 16
2	2.1310.004.2	2	flat washer 8.5
3	0.009.0481.0	3	plate
4	0.009.0480.0	1	gasket



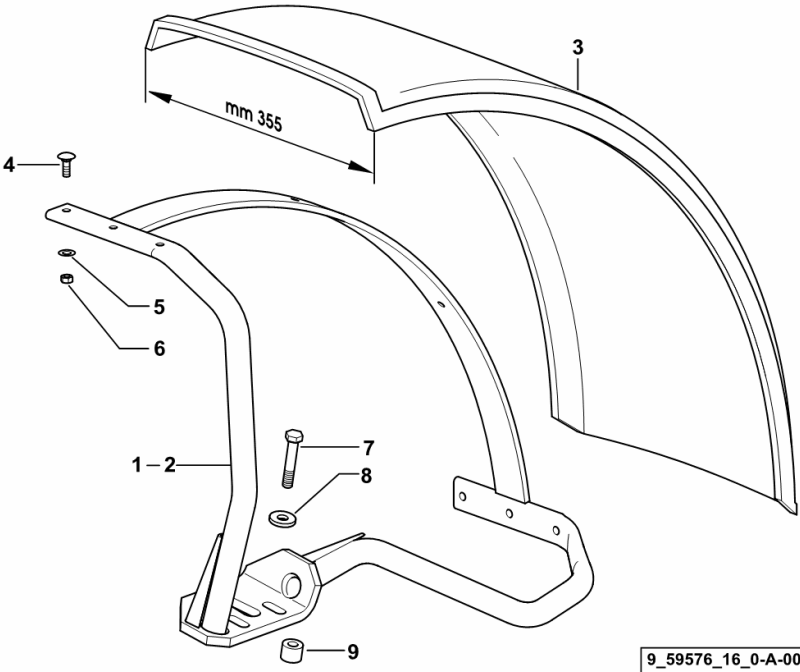
9\_52668\_03\_0-A-001

4WD - FRONT MUDGUARDS mm 355

Fig.	Code	QTY	Name
------	------	-----	------

Notes:  
[Agroplus 67 -> 5001]

1	0.009.9499.2	1	support sx/lh/li
2	0.009.9500.2	1	support dx/rh/re
3	0.255.7632.0/10	2	fender mm 355
4	2.0029.503.6	16	screw m 8 x 25
5	2.1470.004.2	16	washer 8
6	2.1011.105.2	16	nut m 8 p.1.25
7	2.0112.422.2	6	screw m 12 p.1.75 x 65
8	2.1599.397.0	6	washer 12.5x32x5
9	2.1579.900.2	6	spacer 12x25x19

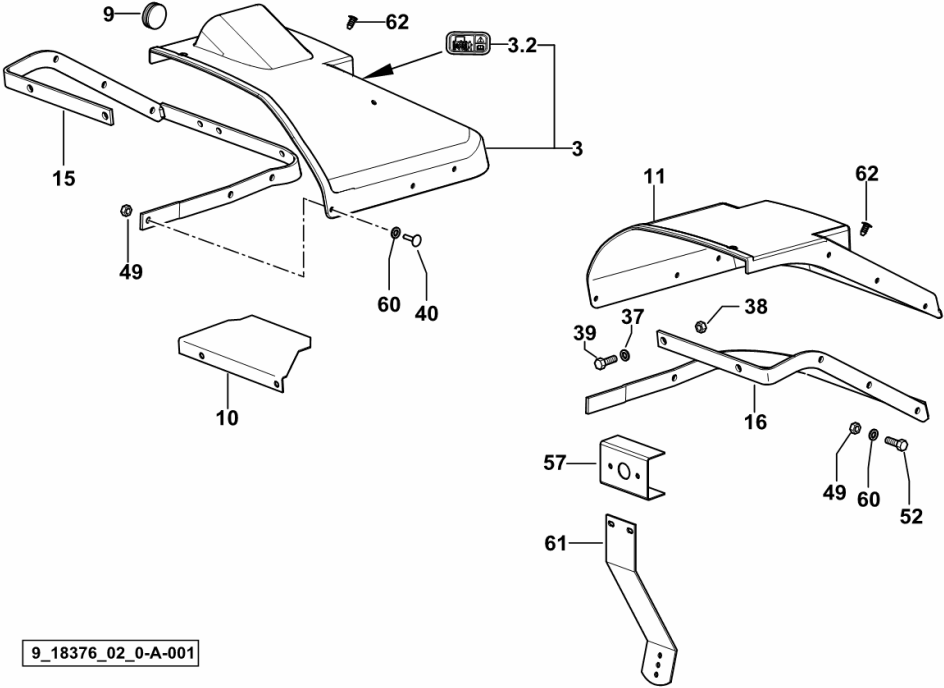


Section: G0 - BODYWORK - CAB  
**FENDERS SX/LH/LI - DX/RH/RE**

Fig.	Code	QTY	Name
------	------	-----	------

**Notes:**  
 - FOR TYPES WITH ELECTRONIC REAR LIFT [Agroplus 67 -> 5001] 5009 <-

3	0.015.6968.4	1	splash-guards dx/rh/re
3.2	2.9939.271.0	1	plate
9	2.3199.115.0	1	plug 38x12
10	0.011.7041.0	1	shield dx/rh/re
11	0.007.5603.0/70	1	splash-guards sx/lh/li
15	0.007.5611.2/20	1	support dx/rh/re
16	0.007.5612.2/20	1	support sx/lh/li
37	2.1310.004.2	4	flat washer 8.5
38	2.1011.105.2	4	nut m 8 p.1.25
39	2.0112.207.2	4	screw m 8 p 1.25 x 20
40	2.0099.014.0/20	11	screw m 6 x 25
49	2.1011.103.2	20	nut m 6 p.1
52	2.0112.009.2	20	screw m 6 p.1 x 25
57	0.007.5813.0/10	2	support
60	2.1310.002.2	26	washer 6.6, d125
61	0.009.6743.0	2	support
62	2.1899.084.0	8	button 8 x 19

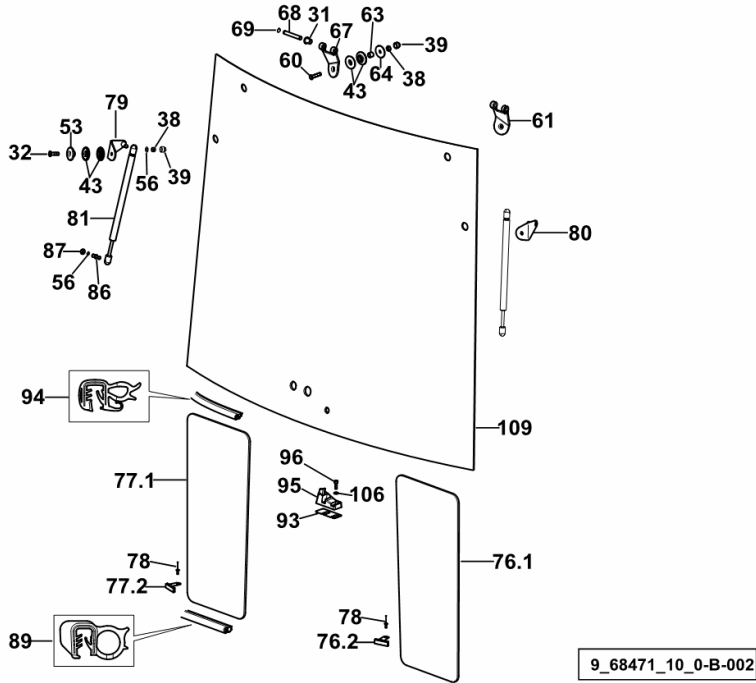


9\_18376\_02\_0-A-001

Section: G0 - BODYWORK - CAB  
**GLASSES AND SEALS**

Fig.	Code	QTY	Name
------	------	-----	------

**Notes:**  
 - FOR MODELS WITH CAB - "HIGH VISIBILITY" [Agroplus 67 -> 5001] -> 5073



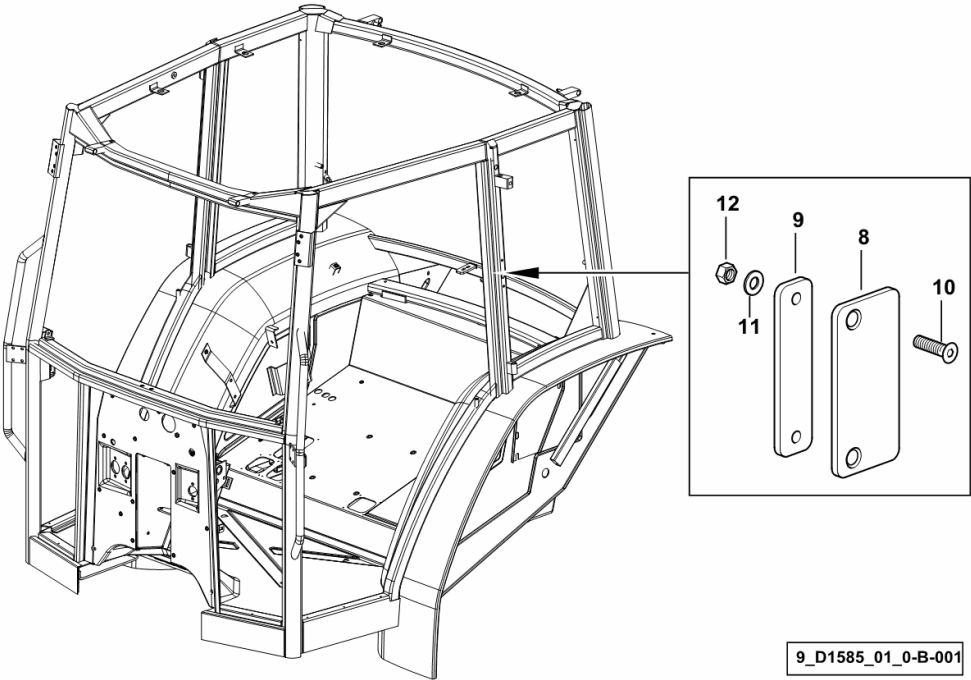
31	2.1559.147.0	16	bushing 10 x 28 x 18
32	2.0349.002.3	6	screw m 8 p.1.25 x 30
38	2.1120.105.2	14	selflock nut m 8 p.1.25
39	0.163.7856.0	14	cap
43	0.009.0422.0	20	gasket
53	2.1499.093.0/10	6	washer 8.5
56	2.1310.004.2	6	flat washer 8.5
60	2.0349.003.3	12	screw m 8 p.1.25 x 35
61	0.015.0084.2/10	1	hinge sx/lh/li
63	2.1579.450.2	4	spacer 8.5 x 14 x 12
64	2.1599.495.2	4	washer 8.5
67	0.015.0063.2/10	1	hinge dx/rh/re
68	2.1699.428.2	4	pin 9.6 x 71.5
69	2.1410.001.1	8	circlip 10
76.1	0.009.7697.0/30	1	window glass
76.2	0.009.7708.0	1	small spring
77.1	0.009.7697.0/30	1	window glass
77.2	0.009.7708.0	1	small spring
78	2.1855.110.0	6	rivet 4.2
79	0.010.6270.2	1	bracket dx/rh/re
80	0.010.6268.2	1	bracket sx/lh/li
81	0.010.6269.0	2	shoch.absorber mm 585
86	0.009.8760.0	6	ball joint
87	2.1011.105.2	2	nut m 8 p.1.25
89	0.015.4666.0	19.5	gasket
93	0.015.0388.0/10	1	shim
94	0.015.6332.0	3.5	gasket
95	0.015.0452.0/10	1	stop
96	2.0312.106.2	2	screw m 6 p.1 x 20
106	2.1310.002.2	1	washer 6.6, d125
109	0.015.0354.0/10	1	windshield

**WINDOW FIXING PLATE**

Fig.	Code	QTY	Name
------	------	-----	------

**Notes:**  
 - EXPORT U.S.A. FOR TYPES W/ CAB AND VERTICAL EXHAUST SILENCER ON CAB PILLAR [Agroplus 67 -> 5001]

8	0.010.5567.0	1	small plate
9	0.010.5568.0	2	gasket
10	2.0342.205.6	4	screw m 6 p.1 x 20
11	2.1310.002.2	12	washer 6.6, d125
12	2.1011.103.2	4	nut m 6 p.1



9\_D1585\_01\_0-B-001

Section: G0 - BODYWORK - CAB  
**SCREEN WIPER FRONT / REAR**

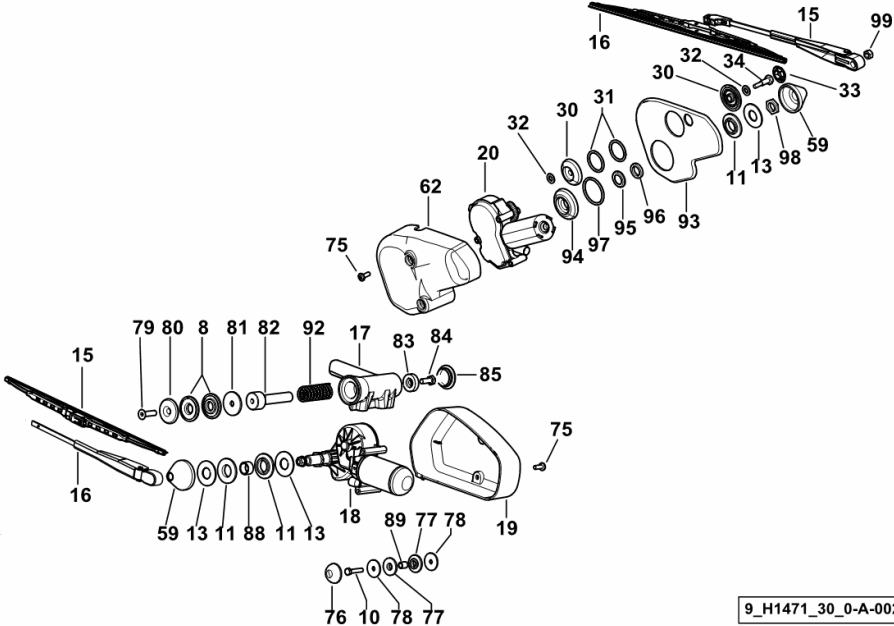
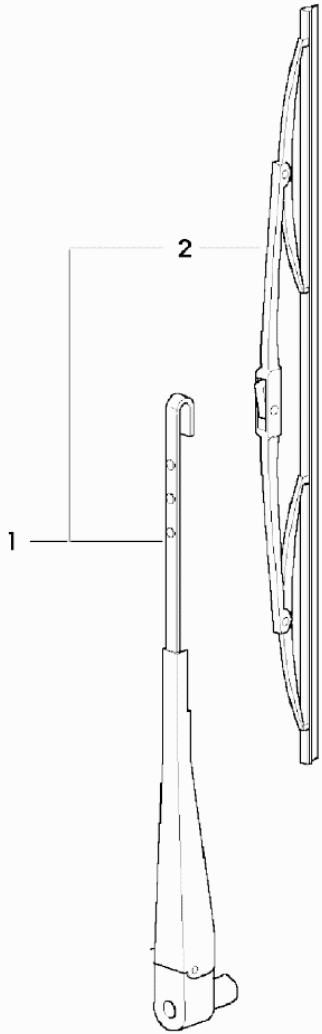


Fig.	Code	QTY	Name
<b>Notes:</b>			
- FOR "HIGH VISIBILITY" CAB [Agroplus 67 -> 5001] -> 5073			
8	0.009.0422.0	2	gasket
10	2.0112.011.2	1	screw m 6 p.1x30
11	2.1569.176.0	3	gasket 20x40x6
13	2.1599.528.2	3	washer 18x40x2
15	0.010.1825.0	2	rod
16	0.015.0560.3	2	wiper blade
17	0.011.6170.2/20	1	handle
18	2.9019.200.0/10	1	wiper motor
19	0.013.4596.0	1	hood
20	04413192	1	wiper motor
30	04411716	2	washer
31	2.1530.078.0	2	'o' ring 29.74x3.53
32	2.1310.004.2	2	flat washer 8.5
33	04413809	1	screw
34	04413793	1	cap
59	0.010.4983.0	1	rubber plug
62	04412044	1	cover
75	2.0332.406.3	4	screw m 6 p.1.0 x 16
76	0.012.9760.0	1	tube
77	0.012.6609.0	2	rubber ring
78	2.1599.545.2	2	washer 6.5x28x2
79	2.0349.002.3	1	screw m 8 p.1.25 x 30
80	2.1499.093.0/10	1	washer 8.5
81	2.1599.495.2	1	washer 8.5
82	0.011.5986.4	1	pin
83	0.011.5989.0	1	block
84	2.0112.207.2	1	screw m 8 p 1.25 x 20
85	0.009.0210.0/10	1	plug 30 x 38 x 9.0
88	2.1549.566.2	1	spacer 16x20x11
89	2.1549.541.2	1	spacer 7x10x11
92	2.4019.517.1	1	spring
93	04414610	1	gasket
94	04413223	1	washer
95	04413208	1	bushing
96	04414586	1	spacer
97	2.1530.103.0	1	'o' ring 39.69x3.53
98	2.1019.135.3	1	nut m16x1
99	2.1011.105.2	1	nut m 8 p.1.25

Section: G0 - BODYWORK - CAB  
**WINDSCREEN WIPER BLADE**

Fig.	Code	QTY	Name
1	0.011.1392.4	1	windscreen wiper
2	0.010.2524.0	1	wiper blade



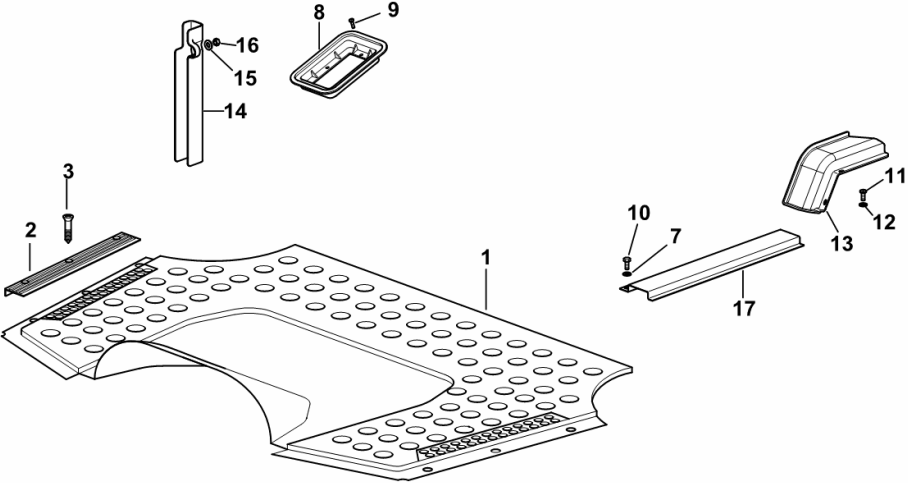
011\_1392\_4

**INTERIOR TRIM**

Fig.	Code	QTY	Name
------	------	-----	------

**Notes:**  
 - FOR MODELS WITH PLATFORM [Agroplus 67 -> 5001]

1	0.011.4077.0/10	1	small carpet
2	0.258.7660.0/10	2	guard
3	2.0351.555.3	6	screw 4.8x16
7	2.1310.002.2	2	washer 6.6, d125
8	0.010.0954.0/10	1	cup
9	2.0350.255.3	4	screw m 3.5 x 16 -AB-
10	2.0112.011.2	2	screw m 6 p.1x30
11	2.0350.255.3	2	screw m 3.5 x 16 -AB-
12	2.1399.008.3	2	washer 4.3x9
13	0.014.5187.0	1	shield
14	0.011.0442.0/10	1	channel
15	2.1310.002.2	1	washer 6.6, d125
16	2.1011.103.2	1	nut m 6 p.1
17	0.009.2021.0/10	1	channel sx//lh/li



9\_F0276\_01\_0-A-001

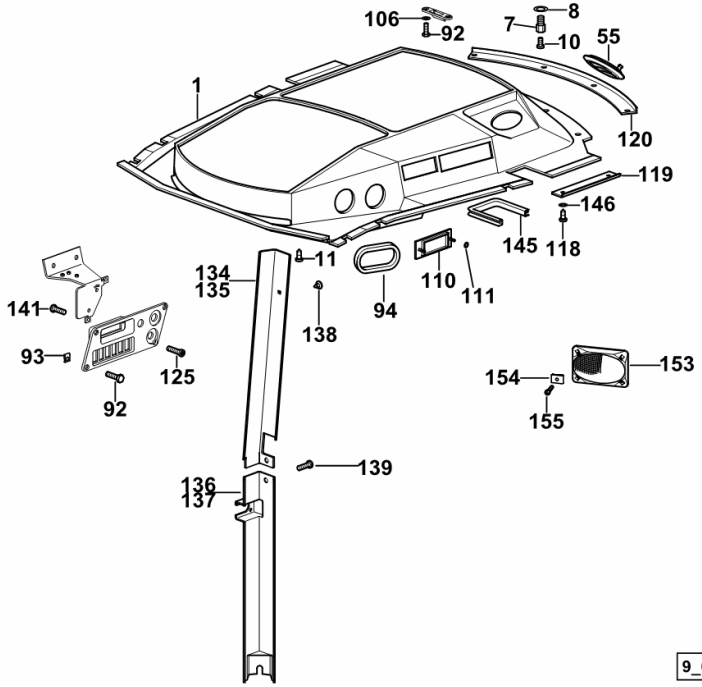


**INTERIOR TRIM**

Fig.	Code	QTY	Name
------	------	-----	------

**Notes:**

- WITH "HIGH VISIBILITY" CAB [Agroplus 67 -> 5001]



1	0.011.1319.3/70	1	inner cab roof panel
7	0.011.1281.0	6	screw
8	2.1579.520.2	6	washer 10.5x30x3
10	2.0332.304.2	6	screw m 5 p.0.8 x 12
11	2.0350.255.3	6	screw m 3.5 x 16 -AB-
55	0.009.8654.2	2	tongue mm 82.8
92	2.0112.005.2	2	screw m 6 p.1 x 16
93	2.6999.061.0	4	small spring 4.2
94	0.011.1322.0	2	gasket
106	2.1310.002.2	2	washer 6.6, d125
110	0.010.0880.0/10	1	cover
111	2.6999.049.0	2	small spring
118	2.0350.456.3	14	screw m 4.2 x 19 -AB-
119	0.011.3641.0	2	angular
120	0.011.3642.0	1	bracket
125	2.0350.456.3	4	screw m 4.2 x 19 -AB-
134	0.007.7703.0/60	1	lining sx/lh/li
135	0.007.7704.0/60	1	lining dx/rh/re
136	0.007.7701.0/40	1	lining sx/lh/li
137	0.007.7702.0/50	1	lining dx/rh/re
138	2.1899.075.0	4	button 6.5x14.5
139	2.0342.102.3	2	screw m 5 x 12
141	2.0350.152.3	2	screw m 2.9x9.5AB
145	0.011.4496.0/10	2	gasket
146	0.9200.358.0	14	washer 5.4x10x15.8
153	0.010.0716.4/10	2	grille
154	2.6999.041.0	8	small spring
155	2.0399.177.3	8	screw 4.2x25

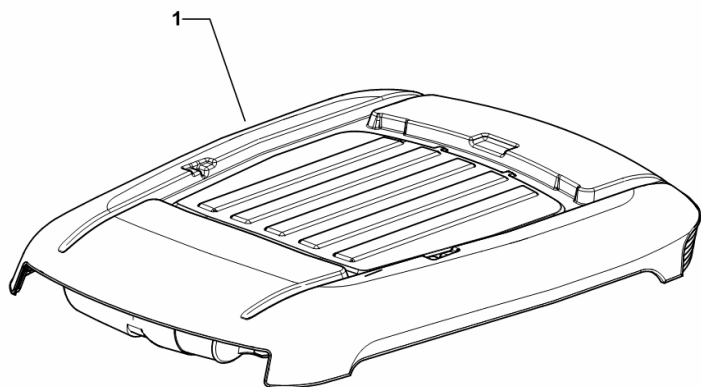
**DRIVER'S CAB ROOF**

Fig.	Code	QTY	Name
------	------	-----	------

**Notes:**

- FOR TRACTORS WITH AIR HEATING [Agroplus 67 -> 5001] -> 5039

1	0.012.9108.2/60	1	roof
---	-----------------	---	------



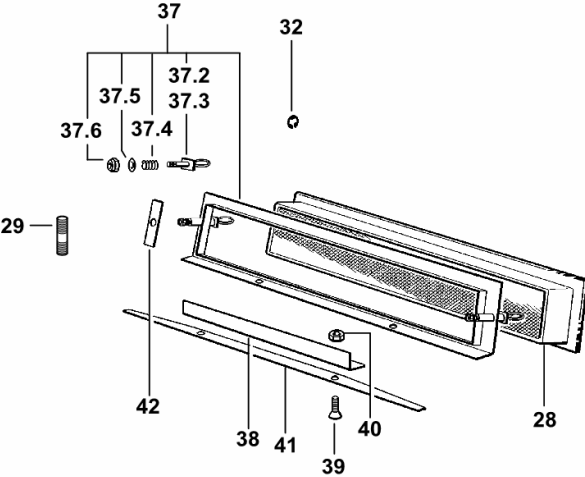
9\_H1371\_60\_0-A-001

CAB AIR FILTER

Fig.	Code	QTY	Name
------	------	-----	------

Notes:  
 - FOR TYPES WITH HEATING AND AIR CONDITIONING [Agroplus 67 -> 5001] 5020 <-

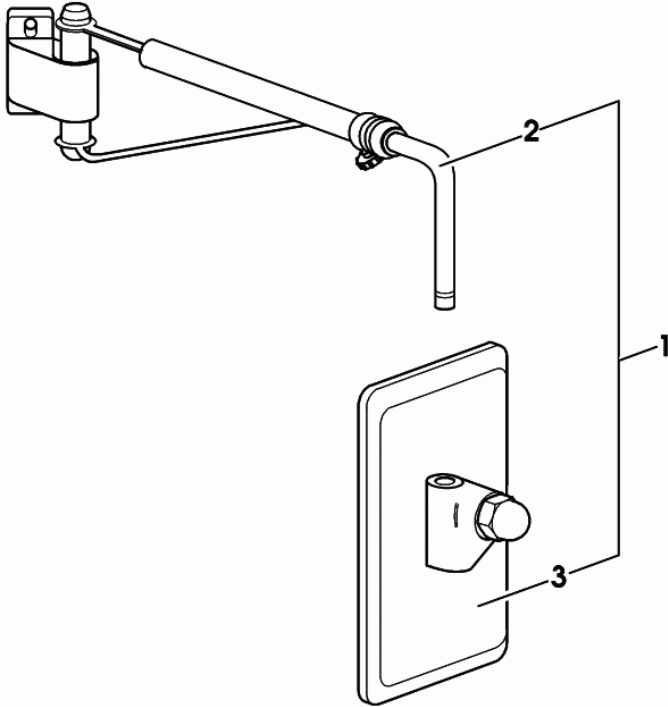
28	0.009.9424.2	1	air filter element
29	2.0422.203.7	2	stud bolt m 8 p.1.25 x 20
32	2.1430.005.2	4	circlip
37	0.010.4137.4/10	1	chassis frame
37.2	0.010.4059.2/10	1	latch sx/lh/li
37.3	0.010.4058.2/10	1	latch dx/rh/re
37.4	2.4019.647.2	2	spring
37.5	2.1310.004.2	2	flat washer 8.5
37.6	2.1121.005.2	2	nut m 8 p.1.25
38	0.010.1952.0/10	2	angular
39	2.0342.007.6	4	screw m 4 p.0.7 x 30
40	2.1120.001.2	4	selflock nut m 4 p.0.7
41	0.010.4152.0	2	gasket
42	0.010.4153.0	2	gasket



9\_18471\_65\_0-B-001

**REARVIEW MIRROR**

Fig.	Code	QTY	Name
1	0.010.1604.4/40	1	rear view mirror sx/lh/li
2	0.010.3096.2	1	rod
3	0.9233.183.3	1	rear view mirror



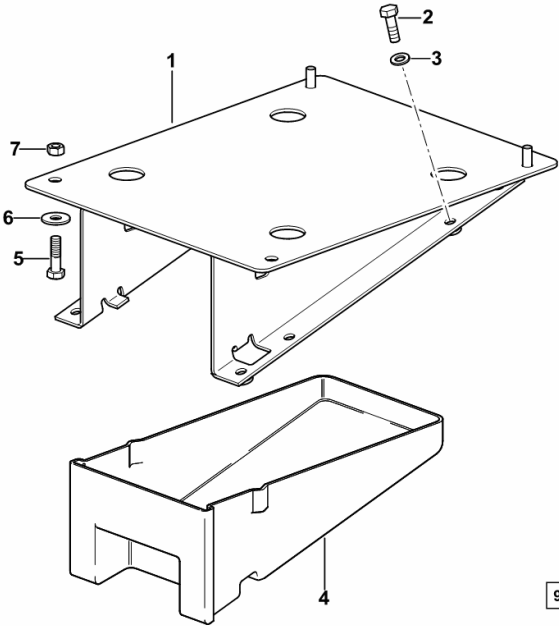
0\_010\_1604\_4\_40

Section: G0 - BODYWORK - CAB  
**SEAT SUPPORT BRACKET**

Fig.	Code	QTY	Name
------	------	-----	------

**Notes:**  
 - PER SEDILE MSG 95A/721 [Agroplus 67 -> 5001]

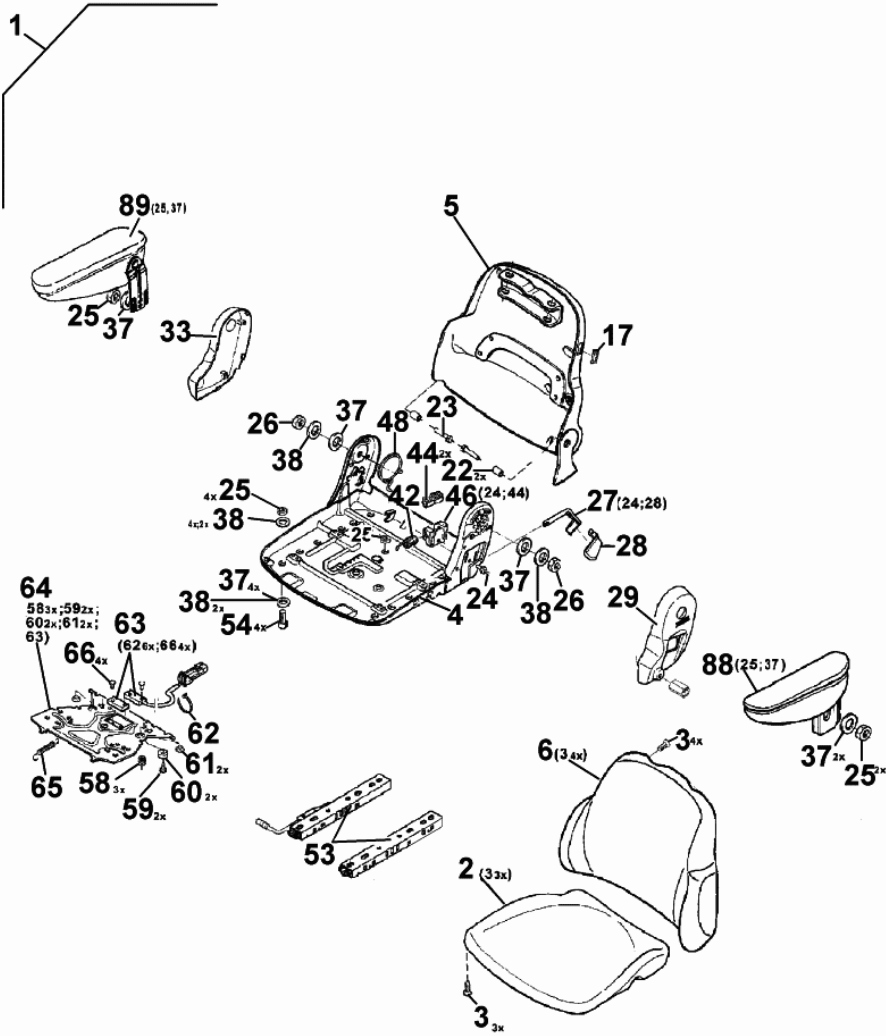
1	0.014.1310.3	1	seat support
2	2.0112.209.2	4	screw m 8 p 1.25 x 25
3	2.1310.004.2	4	flat washer 8.5
4	0.007.7914.0/40	1	glove pocket
5	2.0112.211.2	4	screw m 8 p.1.25 x 30
6	2.1312.004.2	4	washer 8.4
7	2.1011.105.2	4	nut m 8 p.1.25



9\_E9775\_00\_0-A-001

Section: G0 - BODYWORK - CAB  
**SEAT-COMPONENTS**

Fig.	Code	QTY	Name
1	0.014.5767.4	1	seat MSG83/721
2	0.900.0370.4	1	cushion
3	0.010.3500.2	7	screw m 5
4	0.010.3544.0	1	chassis frame
5	0.900.0370.6	1	chassis frame
6	0.900.0370.5	1	backrest
17	0.010.3552.2	1	small cover
22	0.010.2953.1	2	bushing
23	0.010.2948.0	2	screw m 8 x 40
24	0.900.0298.8	1	rivet
25	0.010.2401.0	4	nut m 8
26	0.010.2948.1	1	nut m 8
27	0.900.0298.2	1	lever
28	0.900.0298.3	1	lever
29	0.900.0297.7	1	cover sx/lh/li
33	0.900.0298.4	1	cover dx/rh/re
37	0.010.2945.0	4	washer 8.4
38	0.010.3152.0	8	gasket
42	0.900.0297.9	1	spring
44	0.900.0298.0	1	stop
46	0.900.0298.1	1	accessories
48	0.900.0370.8	1	small spring
53	0.900.0370.9	1	seat guide
54	0.010.2405.0	2	pin m 8 x 16
58	0.010.3553.1	3	spring
59	0.900.0371.0	2	rivet 4.8x10.3
60	02312286	2	shoch.absorber
61	04370999	2	shoch.absorber
62	0.900.0298.5	1	cable
63	0.010.3473.2	1	switch
64	0.010.3553.2	1	plate
65	04350966	1	spring
66	0.010.3474.0	2	rivet
88	0.900.0298.6	1	small arm sx/lh/li
89	0.900.0298.7	1	small arm dx/rh/re



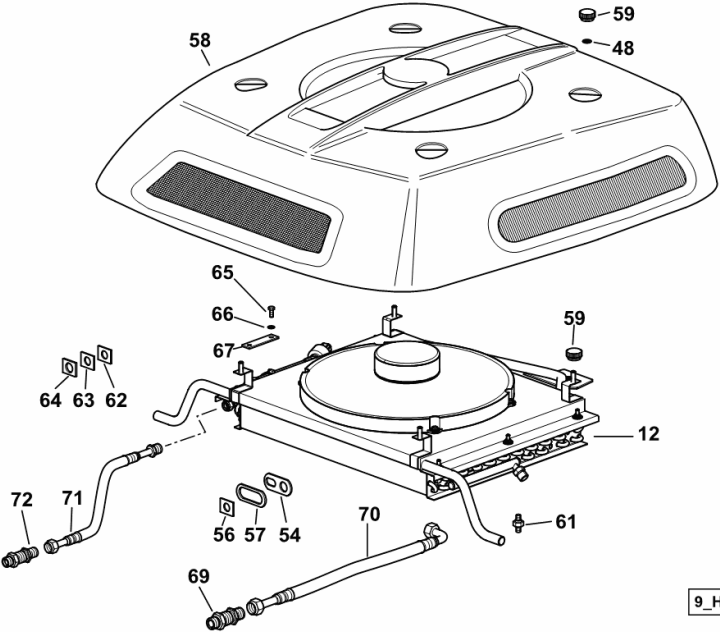
0\_014\_5767\_4\_A

**CONDENSER**

Fig.	Code	QTY	Name
------	------	-----	------

Notes:  
 - FOR TYPES WITH HEATING AND AIR CONDITIONING [Agroplus 67 -> 5001] -> 5042

12	0.014.8525.4	1	condenser ☞ 0.014.8525.4
48	2.1310.004.2	4	flat washer 8.5
54	0.007.6976.0	1	small plate
56	0.007.6975.0/20	1	small plate
57	0.007.6974.0/20	1	gasket
58	0.013.6584.3	1	cover
59	0.012.9389.2	5	knob m 8
61	0.010.0662.0/10	1	pin
62	0.007.7779.0	1	small plate
63	0.007.7781.0/10	3	gasket
64	0.007.7780.0/10	1	small plate
65	2.0112.004.2	4	screw m 6 p.1 x 14
66	2.1310.002.2	4	washer 6.6, d125
67	0.007.7783.0/10	2	small plate
69	2.3339.691.2/20	1	pipe fitting 3/4-16UNF
70	0.007.7152.3/20	1	tube
71	0.007.7154.3/20	1	tube mm 315
72	2.3339.692.2/20	1	pipe fitting 5/8-18UNF-2A



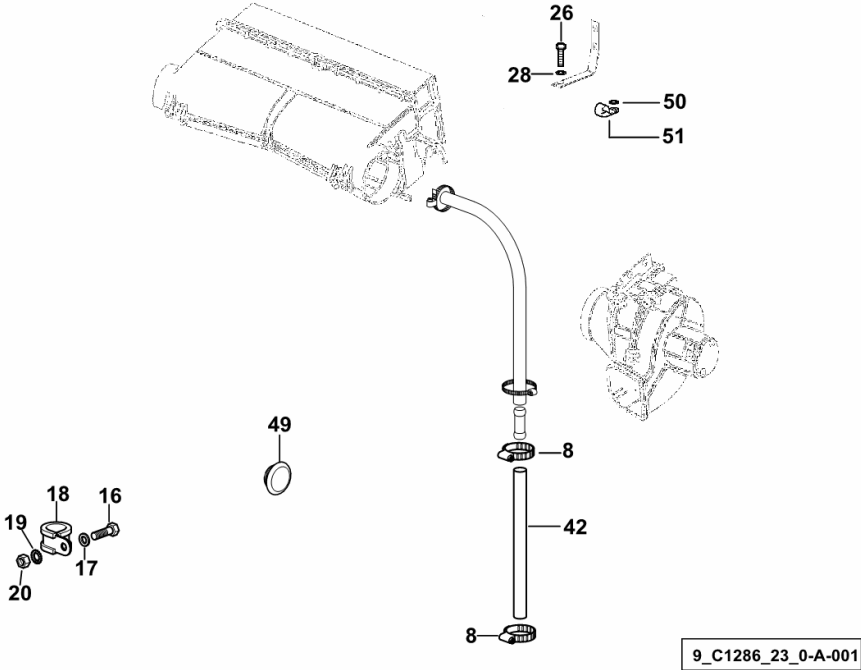
9\_H1371\_65\_0-I-001

VENTILATION - AIR CONDITIONING - HEATING

Fig.	Code	QTY	Name
------	------	-----	------

Notes:  
 - FOR MODELS WITH CAB - "HIGH VISIBILITY" [Agroplus 67 -> 5001]

8	2.6851.019.0	3	clamp Ø 13/20
16	2.0112.007.2	2	screw m 6 p.1 x 20
17	2.1312.003.2	2	washer 6
18	2.6839.053.0	2	clamp Ø 17/15
19	2.1470.002.2	2	washer 6, d128
20	2.1011.103.2	2	nut m 6 p.1
26	2.0112.005.2	1	screw m 6 p.1 x 16
28	2.1310.002.2	1	washer 6.6, d125
42	0.012.9219.0/10	1	tube
49	2.6070.050.0	1	plug Ø 20
50	2.1310.028.2	1	flat washer 4
51	2.6830.010.1	1	clamp Ø 18



HEATER PARTS

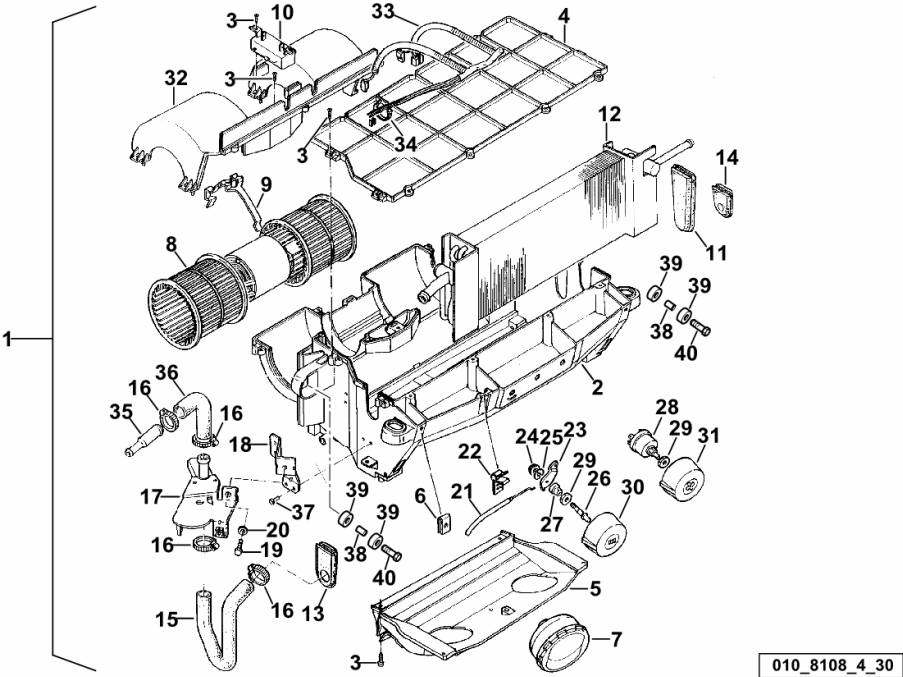
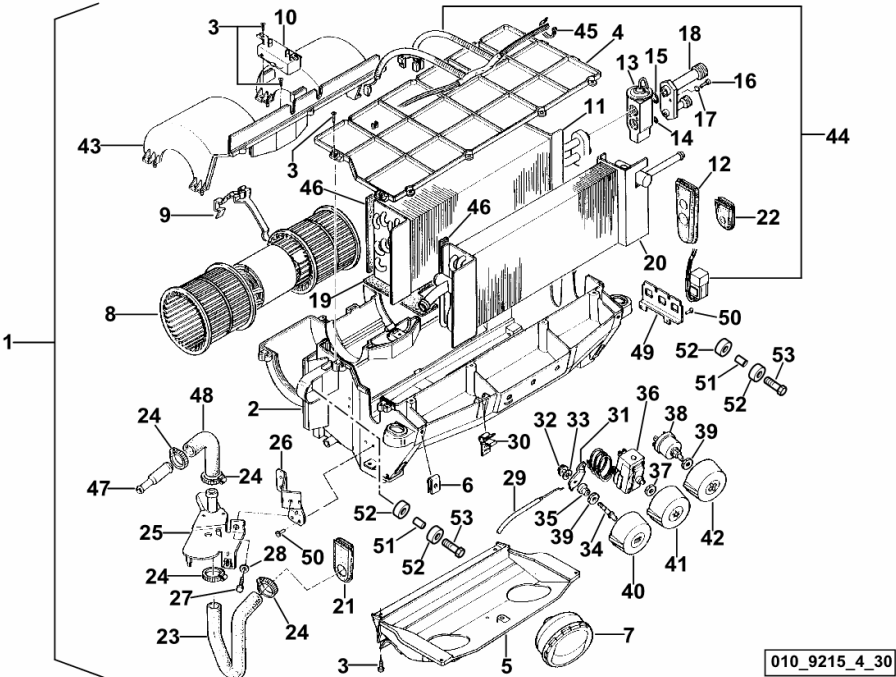


Fig.	Code	QTY	Name
1	0.010.8108.4/30	1	cab heating
2	0.010.2153.1	1	box
3	0.900.0061.4	25	screw 4 x 12
4	0.010.2120.0	1	knob
5	0.010.3310.2	1	blower
6	0.010.2120.2	2	small spring
7	0.010.2121.0	4	tongue
8	0.900.1281.6	1	fan
9	0.010.2121.2	1	spring
10	0.010.2122.0	1	resistance
11	0.010.2126.1	1	gasket
12	0.010.2153.0	1	radiator
13	0.010.2152.2	1	gasket
14	0.010.2152.1	1	gasket
15	0.010.2152.0	1	tube
16	0.010.2561.0	4	clamp
17	0.010.2151.1	1	cock or tap
18	0.010.2151.0	1	bracket
19	0.900.0060.1	1	screw m 6x14
20	0.900.0946.2	1	washer 4x7
21	0.010.2150.0	1	rod
22	0.900.0060.2	1	brace
23	0.010.2149.1	1	small block
24	0.900.0513.1	1	nut m 6
25	0.010.2148.2	1	washer 6x12
26	0.010.2148.1	1	regulator
27	0.010.2148.0	1	bushing
28	0.009.4743.1	1	switch
29	0.010.2555.1	2	nut m 11
30	0.009.4743.0	1	knob
31	0.009.4743.2	1	knob
32	0.010.2119.0	1	box
33	0.010.2147.2	1	electrical system
34	0.010.2544.0	2	clamp
35	0.010.2147.1	1	pipe fitting
36	0.900.0060.7	1	sleeve
37	0.010.2126.0	4	rivet 4x7
38	0.98538.71.1	4	spacer
39	0.98707.79.1	8	rubber plug
40	0.000.0000.1	0	not serviceable

**AIR-CONDITIONING HEATING PARTS**

Fig.	Code	QTY	Name
45	0.010.2544.0	2	clamp
46	0.010.2131.0	2	gasket
47	0.010.2147.1	1	pipe fitting
48	0.900.0060.7	1	sleeve
49	0.010.2125.2	1	bracket
50	0.010.2126.0	6	rivet 4x7
51	0.98538.71.1	4	spacer
52	0.009.9536.4	8	rubber plug
53	0.000.0000.1	0	not serviceable

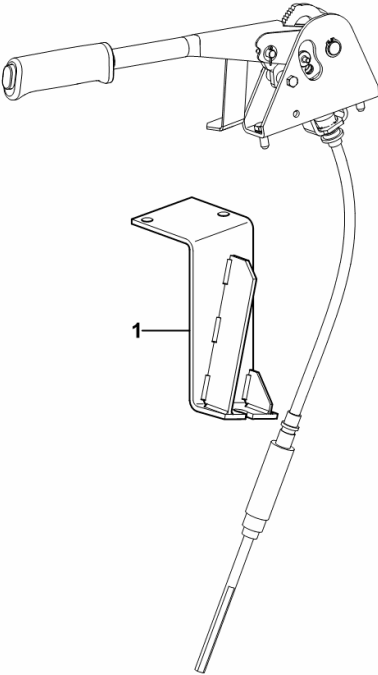


Section: G0 - BODYWORK - CAB  
**BRACKET FOR HANDBRAKE**

Fig.	Code	QTY	Name
------	------	-----	------

Notes:  
[Agroplus 67 -> 5001]

1	0.014.8506.2	1	bracket
---	--------------	---	---------



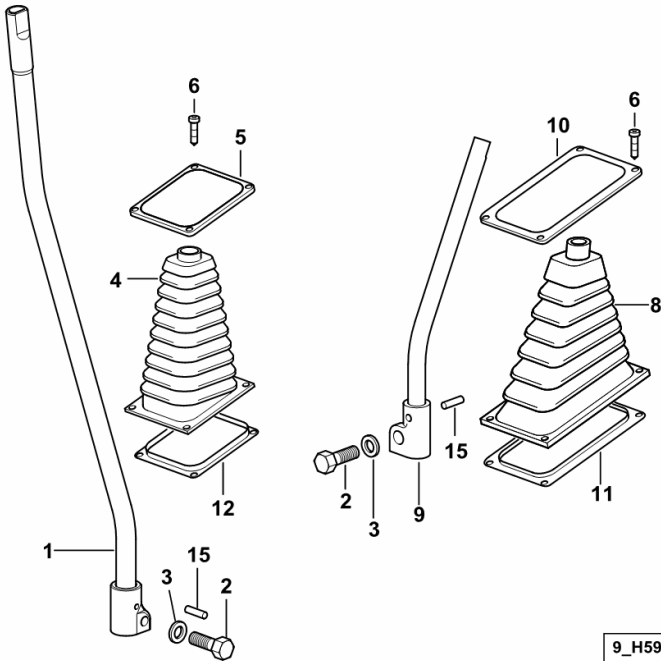
9\_64866\_21\_0-A-001

**GEAR SHIFTING**

Fig.	Code	QTY	Name
------	------	-----	------

Notes:  
[Agroplus 67 -> 5001]

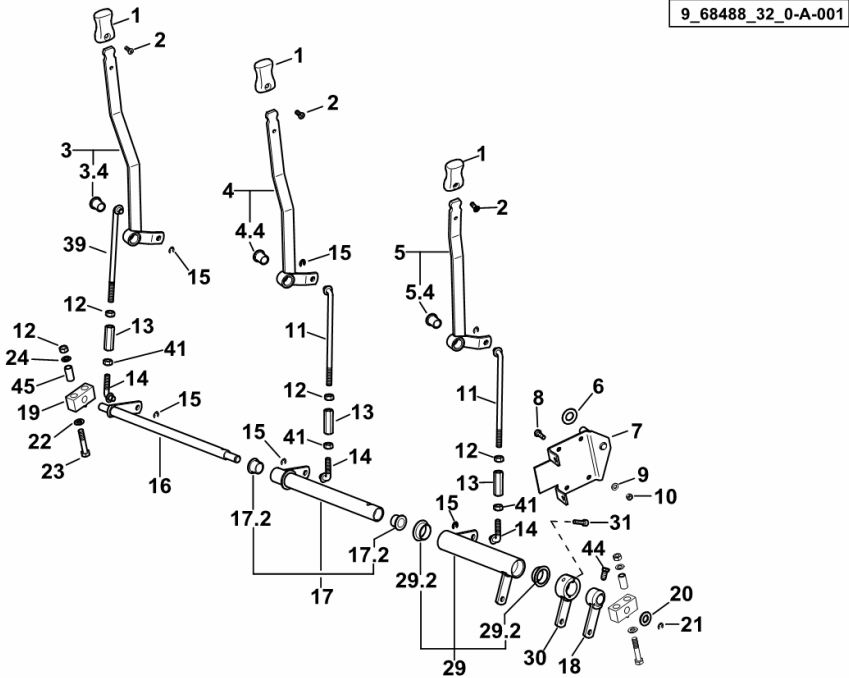
1	0.014.2192.3/10	1	gear lever GEARS
2	2.0112.211.2	2	screw m 8 p.1.25 x 30
3	2.1310.004.2	2	flat washer 8.5
4	0.009.6986.0	1	guard
5	0.009.6997.0	1	lamination
6	2.0350.257.6	8	screw 3.5x22
8	0.009.6985.0	1	guard
9	0.014.8197.3	1	lever FOR REDUCTION UNIT CONTROL
10	0.009.6999.0	1	lamination
11	0.009.6933.0	1	lamination
12	0.009.6998.0	2	lamination
15	2.1631.415.2	2	pin 5x32



**CONTROLS FOR 6-WAY AUXILIARY SERVICES CONTROL VALVE**

Fig.	Code	QTY	Name
------	------	-----	------

Notes:  
[Agroplus 67 -> 5001]



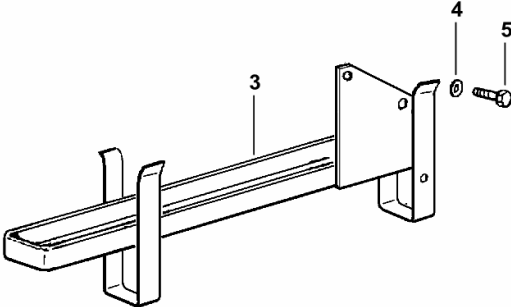
1	0.010.5315.0	3	knob
2	2.0322.406.6	3	screw m 6 p.1.0 x 16
3	0.010.5320.3	1	lever
3.4	2.1559.366.0	1	bushing 12 x 21 x 20
4	0.010.5321.3	1	lever
4.4	2.1559.366.0	1	bushing 12 x 21 x 20
5	0.010.5322.3	1	lever
5.4	2.1559.366.0	1	bushing 12 x 21 x 20
6	2.1481.061.1	1	washer 14
7	0.009.6614.2/20	1	plate
8	2.0112.006.2	4	screw m 6 p.1 x 18
9	2.1310.002.2	4	washer 6.6, d125
10	2.1011.103.2	4	nut m 6 p.1
11	0.007.7755.2/10	2	rod
12	2.1011.105.2	7	nut m 8 p.1.25
13	2.1099.139.2/10	3	nut m 8
14	0.009.7864.2	3	rod
15	2.1430.007.2	6	circlip 6, d128
16	0.009.7857.2/20	1	pin
17	0.009.7858.3/10	1	lever
17.2	2.1559.276.0/10	2	bushing 16x20x15
18	0.009.7859.2/20	1	lever
19	0.010.4816.0/10	2	small block
20	2.1310.007.2	1	flat washer 13.5
21	2.1430.011.7	1	circlip 10
22	2.1310.004.2	4	flat washer 8.5
23	2.0112.217.2	4	screw m 8 p.1.25 x 45
24	2.1470.004.2	4	washer 8
29	0.009.7861.3/10	1	lever
29.2	2.1559.241.0	2	bushing 25x28x12
30	0.009.7860.2/10	1	lever
31	2.0312.108.2	1	screw m 6 p.1 x 25
39	0.007.7755.2/10	1	rod
41	2.1019.127.2	3	nut m 8 p.1.25 x 6.8, sx/lh/li
44	2.0399.019.1	1	screw m 8 p.1 x 16
45	2.1549.391.2	4	spacer 8.4x12x25

**TRIANGLE SUPPORT**

Fig.	Code	QTY	Name
------	------	-----	------

**Notes:**  
- FOR TYPES WITH PLATFORM - ITALY [Agroplus 67 -> 5001] - EXPORT CH [Agroplus 67 -> 5001]

3	0.007.3983.2/10	1	support
4	2.1310.002.2	2	washer 6.6, d125
5	2.0112.007.2	2	screw m 6 p.1 x 20



9\_69676\_01\_0-A-001

SWITCH - FOR P.T.O. FRONT.....	L0.07.16 (1)
AUTOMATIC P.T.O. CONTROL.....	L0.07.17 (1)
P.T.O. SHAFT DRIVE - REAR.....	L0.07.20 (1)
P.T.O. BUTTON.....	L0.07.21 (2)
P.T.O. BUTTON.....	L0.07.22 (1)
P.T.O. BUTTON.....	L0.07.23 (1)
WORKLIGHTS SWITCH.....	L0.07.24 (1)
WORKLIGHTS SWITCH.....	L0.07.25 (1)
CAB TOP SWITCHES.....	L0.07.26 (1)
CAB TOP SWITCHES.....	L0.07.27 (1)
CAB TOP SWITCHES.....	L0.07.28 (1)
CAB TOP SWITCHES.....	L0.07.29 (1)
ELECTRICAL SYSTEM FOR REAR ELECTRONIC LIFT.....	L0.07.31 (1)
SHUTTLE LEVER.....	0.013.4592.4/20.A

**LIGHTING AND SIGNALLING**

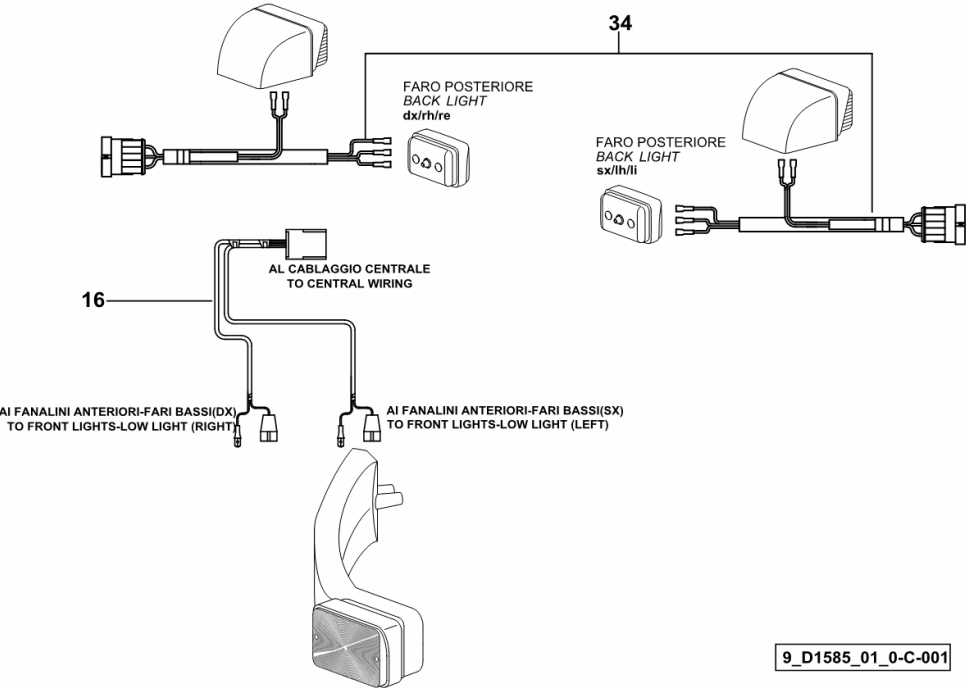
FRONT LIGHTS - FOR LEFT-HAND DRIVE.....	L0.08.0 (1)
FRONT LIGHTS - FOR RIGHT-HAND DRIVE.....	L0.08.1 (1)
FRONT/REAR LIGHTS.....	L0.08.4 (1)
FRONT/REAR LIGHTS.....	L0.08.5 (1)
LIGHT SUPPORT WITH FIXED SAFETY ROLL BAR.....	L0.08.6 (1)
LIGHT SUPPORT WITH FOLDING SAFETY ROLL BAR.....	L0.08.7 (1)
FRONT/REAR LIGHTS.....	L0.08.8 (1)
FRONT/REAR LIGHTS.....	L0.08.9 (1)
FRONT/REAR LIGHTS.....	L0.08.10 (1)
FRONT/REAR LIGHTS.....	L0.08.11 (1)
WORKING SPOTLIGHT TOP FRONT/REAR.....	L0.08.12 (1)
WORKING SPOTLIGHT TOP FRONT/REAR.....	L0.08.13 (1)
WORKING SPOTLIGHT FRONT/REAR.....	L0.08.14 (1)
WORKING SPOTLIGHT TOP FRONT/REAR.....	L0.08.15 (1)
WORKING SPOTLIGHT TOP FRONT/REAR.....	L0.08.16 (1)
WORKING SPOTLIGHT FRONT/REAR.....	L0.08.17 (1)
REAR WORKLIGHT.....	L0.08.18 (1)
REAR WORKLIGHT.....	L0.08.19 (1)
WARNING BEACON.....	L0.08.20 (1)
LICENCE PLATE LIGHT.....	L0.08.21 (1)
COURTESY LIGHT.....	L0.08.22 (1)
COURTESY LIGHT.....	L0.08.23 (1)
COURTESY LIGHT.....	L0.08.25 (1)
COURTESY LIGHT.....	L0.08.26 (1)
HORN.....	L0.08.27 (1)
REAR REFLECTORS.....	L0.08.29 (1)
RETROREFLECTOR.....	L0.08.30 (1)
RETROREFLECTOR.....	L0.08.31 (1)
HEADLAMP COMPONENTS.....	04411920.4.A

**ELECTRIC WIRING FOR PARKING LIGHTS AND DIRECTION INDICATORS, FRONT AND REAR**

Fig.	Code	QTY	Name
------	------	-----	------

**Notes:**  
 - EXPORT U.S.A. FOR TYPES W/ CAB AND VERTICAL EXHAUST SILENCER ON CAB PILLAR [Agroplus 67 -> 5001]

16	0.010.8189.3/40	1	wire - FRONT
34	0.013.4909.4	1	wire - REAR



9\_D1585\_01\_0-C-001

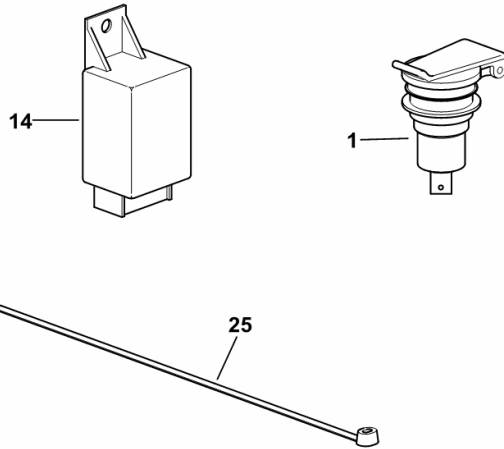
**SINGLE POLE SOCKET - LIGHTS FLASHER RELAY**

Fig.	Code	QTY	Name
------	------	-----	------

**Notes:**

[Agroplus 67 -> 5001]

1	0.008.1550.0	1	socket
14	2.8639.007.0/10	1	blinker 12V, 21W ( 2+1+1 )
25	2.6852.203.0	30	clamp 292 x 4.8



9\_F0184\_03\_0-A-001

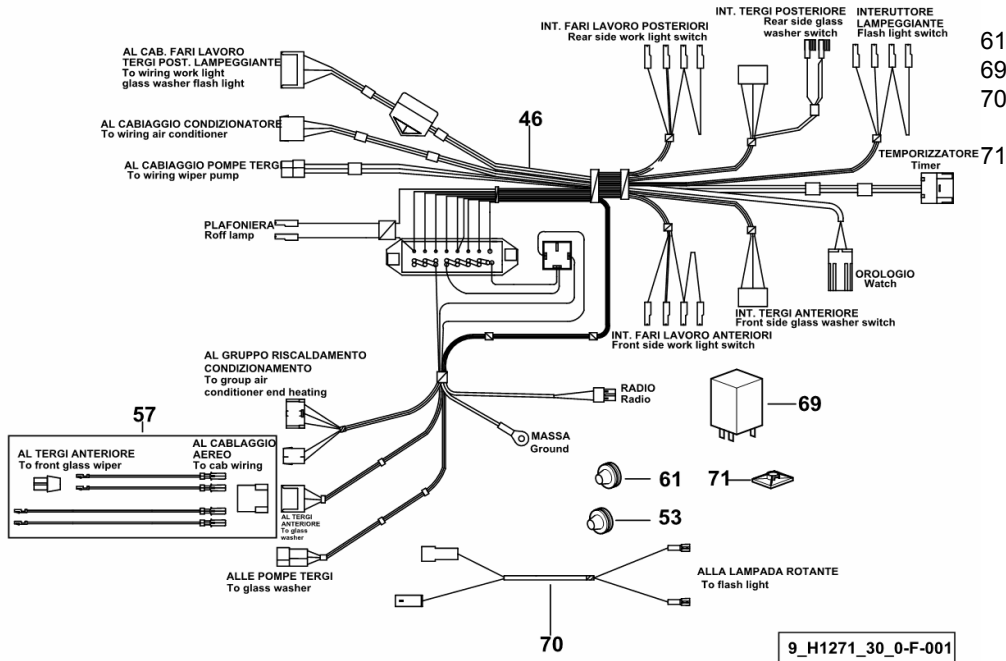
**CAB ELECTRICAL SYSTEM**

Fig.	Code	QTY	Name
------	------	-----	------

**Notes:**

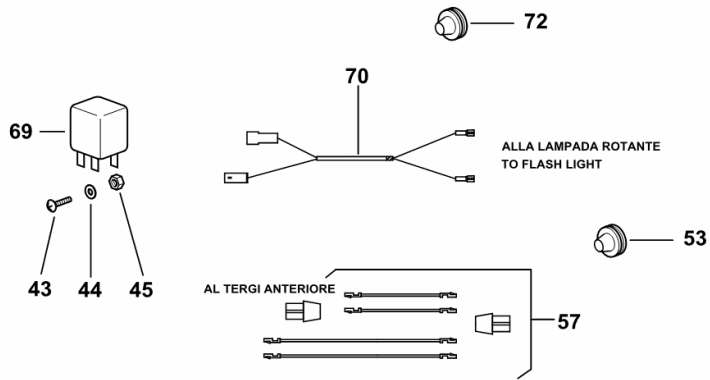
[Agroplus 67 -> 5001] -> 5072

46	0.009.7850.4/50	1	electrical system ☞ 0.009.7850.4/50
53	2.6569.018.0	4	wire guide 20 x 8 x 15
57	0.010.4516.3	1	wire - FOR FRONT WINDSHIEL WIPER
61	2.6569.018.0	4	wire guide 20 x 8 x 15
69	2.8639.008.0	1	intermitent switch HG4121, 12V
70	0.012.9909.4	1	wire - FOR FLASHING LIGHT
71	0.012.6105.0	2	stop



**WIRING FOR WINDSCREEN WIPER AND FLASHING LIGHT**

Fig.	Code	QTY	Name
43	2.0332.308.2	2	screw m 5 p.0.8 x 25
44	2.1310.001.2	2	flat washer 5.3
45	2.1011.002.2	2	nut m 5x0.8
53	2.6569.018.0	4	wire guide 20 x 8 x 15
57	0.011.3597.3	1	wire
69	2.8639.008.0	1	intermitent switch HG4121, 12V
70	0.012.9909.4	1	wire
72	2.6569.018.0	1	wire guide 20 x 8 x 15



9\_H1471\_30\_0-F-001

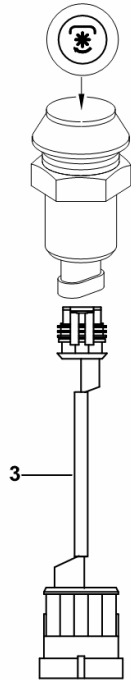
**P.T.O. BUTTON ELECTRIC CABLE**

Fig.	Code	QTY	Name
------	------	-----	------

**Notes:**

- EXPORT U.S.A. [Agroplus 67 -> 5001]

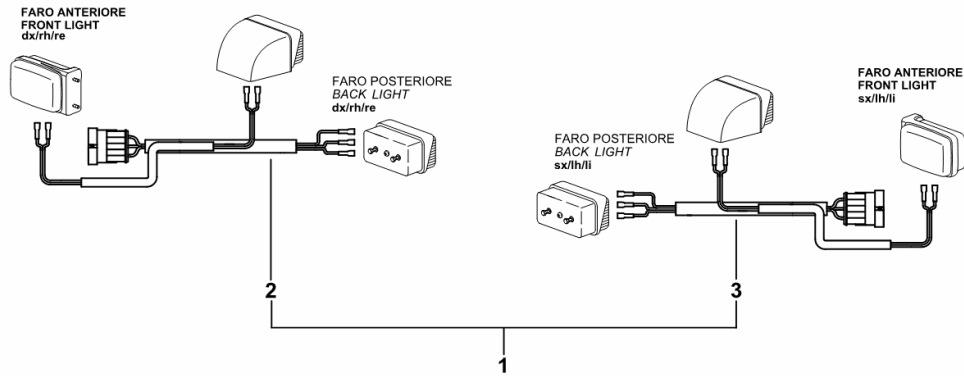
3	0.014.0885.4	1	wire mm 300
---	--------------	---	-------------



9\_E2484\_03\_0-G-001

**ELECTRIC WIRING FOR PARKING LIGHTS AND DIRECTION INDICATORS,  
FRONT AND REAR**

Fig.	Code	QTY	Name
1	0.013.4910.4	1	wire
2	0.900.1412.7	1	wire dx/rh/re
3	0.900.1412.8	1	wire sx/lh/li



0\_013\_4910\_4

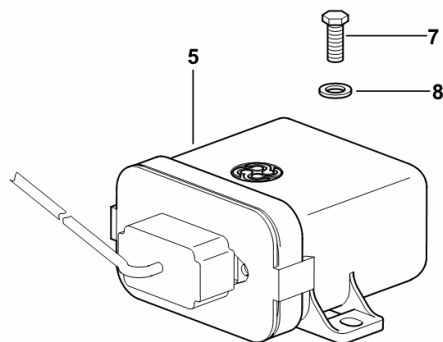
**ELECTRICAL SYSTEM FOR REAR ELECTRONIC LIFT**

Fig.	Code	QTY	Name
------	------	-----	------

**Notes:**

[Agroplus 67 -> 5001]

5	0.011.2992.4/50	1	central device
7	2.0112.003.2	2	screw m 6 p.1 x 12
8	2.1310.002.2	2	washer 6.6, d125



9\_18359\_51\_0-A-001

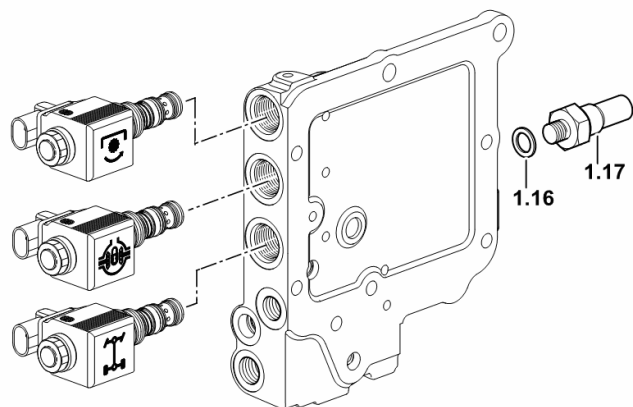
**OIL CONTROL VALVES HOUSING PRESSURE SWITCH**

Fig.	Code	QTY	Name
------	------	-----	------

**Notes:**

[Agroplus 67 -> 5001]

1.16	2.1560.008.0	4	gasket 12.2 x 18
1.17	2.7099.750.0/10	1	pressure switch 11 Bar



9\_64882\_03\_0-B-001

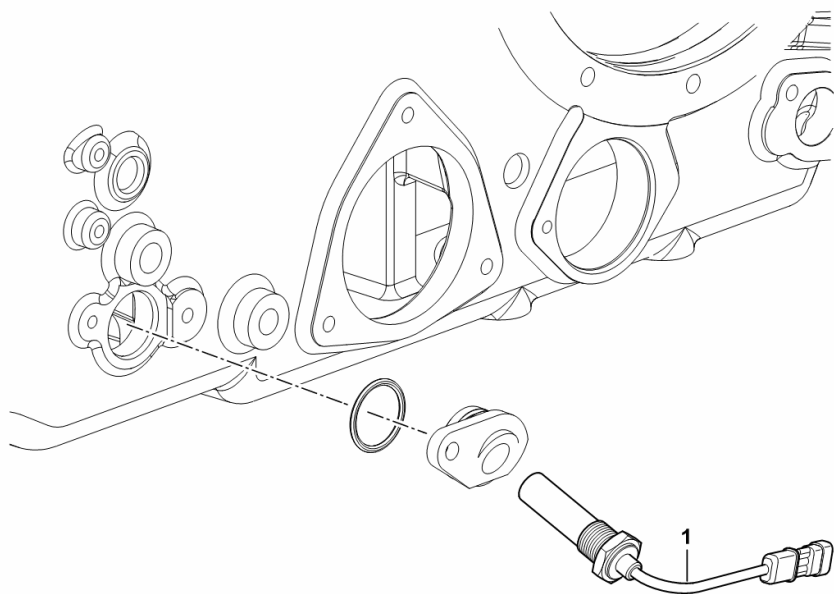
**SPEED SENSOR**

Fig.	Code	QTY	Name
------	------	-----	------

**Notes:**

[Agroplus 67 -> 5001]

1	2.7099.972.0/10	1	speed sensor
---	-----------------	---	--------------



9\_B6184\_12\_0-A-001

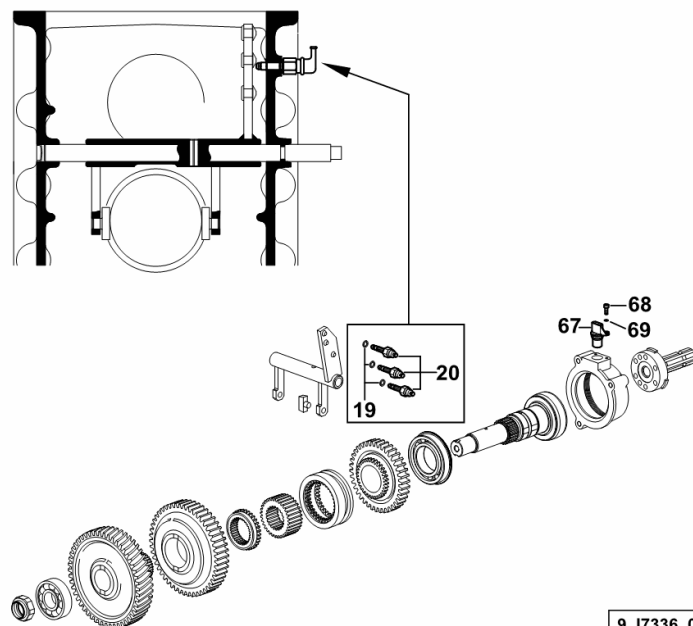
**SWITCHES AND SENSOR FOR 3-SPEED P.T.O. WITH INSERTED OUTPUT SHAFTS 540-750-1000**

Fig.	Code	QTY	Name
------	------	-----	------

**Notes:**

- EXPORT U.S.A. [Agroplus 67 -> 5001] -> 5094

19	2.1560.003.0	3	gasket 8.2 x 12
20	2.7659.131.0	3	switch
67	0.010.1214.4	1	sensor
68	2.0312.003.2	2	screw m 5 p.0.8 x 14
69	2.1480.011.2	2	washer 5



9\_I7336\_00\_0-B-001

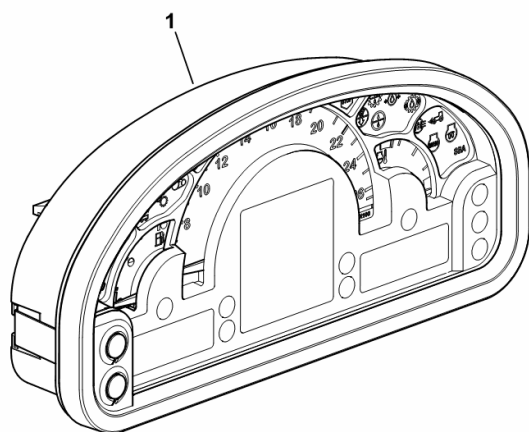
**DIGITAL INSTRUMENT PANEL**

Fig.	Code	QTY	Name
------	------	-----	------

**Notes:**

[Agroplus 67 -> 5001]

1	2.8339.269.0/30	1	instrument holder
---	-----------------	---	-------------------



9\_F0284\_21\_0-A-001

CLICK HERE TO **DOWNLOAD** THE COMPLETE MANUAL

- Thank you very much for reading the preview of the manual.
- You can download the complete manual from: [www.heydownloads.com](http://www.heydownloads.com) by clicking the link below



- Please note: If there is no response to CLICKING the link, please download this PDF first and then click on it.

CLICK HERE TO **DOWNLOAD** THE COMPLETE MANUAL

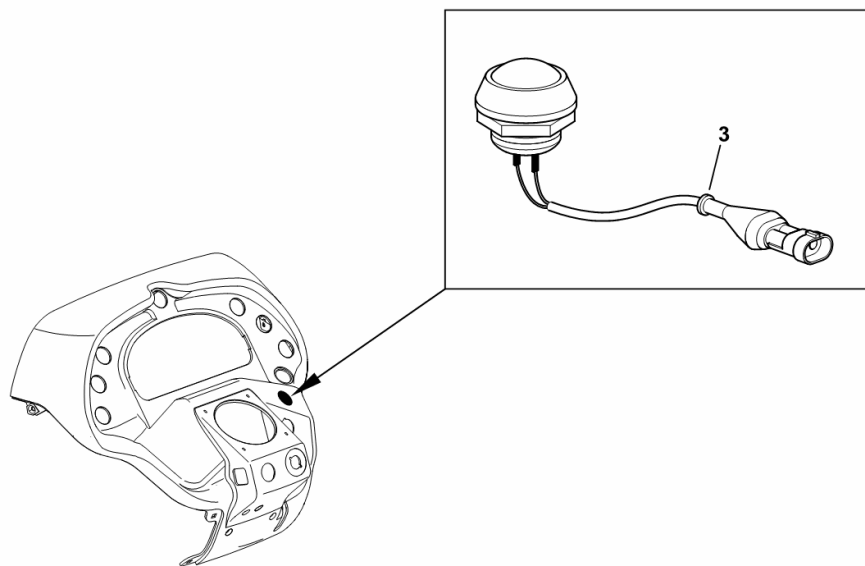
**ELECTRONIC ACCELERATOR MEMORY PUSHBUTTON**

Fig.	Code	QTY	Name
------	------	-----	------

**Notes:**

- WITH ELECTRONIC ENGINE GOVERNOR [Agroplus 67 -> 5001]

3	2.7659.203.0/10	1	push-button
---	-----------------	---	-------------



9\_C1267\_11\_0-C-001

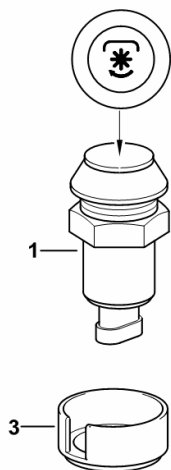
**P.T.O. BUTTON**

Fig.	Code	QTY	Name
------	------	-----	------

**Notes:**

- FOR TYPES WITH 540/750/1000 PTO EXPORT U.S.A. [Agroplus 67 -> 5001]

1	2.7659.177.0/20	1	push-button P.T.O.
3	0.009.3987.0	1	guard



9\_C5984\_11\_0-C-001

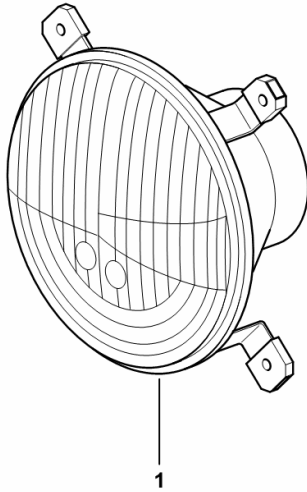
**FRONT LIGHTS - FOR RIGHT-HAND DRIVE**

Fig.	Code	QTY	Name
------	------	-----	------

**Notes:**

[Agroplus 67 -> 5001]

1	2.8029.820.0/20	2	lamp ☞ 2.8029.820.0/20
---	-----------------	---	---------------------------



9\_68485\_20\_0-A-001

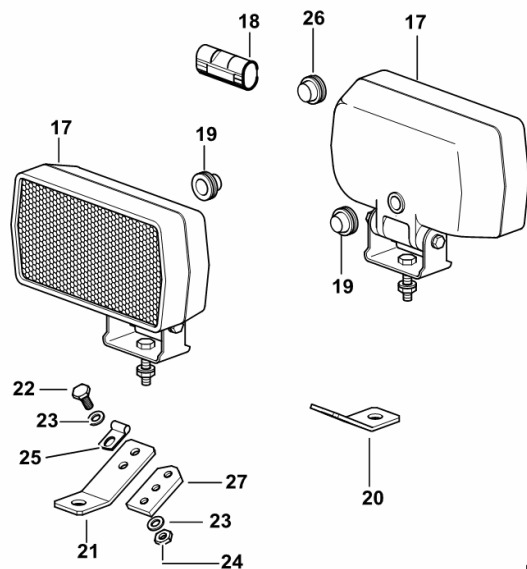
**WORKING SPOTLIGHT TOP FRONT/REAR**

Fig.	Code	QTY	Name
------	------	-----	------

**Notes:**

- FOR TRACTORS WITH AIR HEATING [Agroplus 67 -> 5001] -> 5039

17	2.8029.730.0	4	headlight ☞ 2.8029.730.0
18	2.6039.010.0	4	guard
19	2.6569.018.0	3	wire guide 20 x 8 x 15
20	0.010.0259.0/20	2	bracket
21	0.010.0260.0	2	bracket
22	2.0332.406.3	8	screw m 6 p.1.0 x 16
23	2.1310.002.2	20	washer 6.6, d125
24	2.1120.003.2	8	nut m 6
25	2.6830.003.2	2	clamp
26	2.6569.042.0	1	wire guide 20x10x15
27	0.010.6338.0/10	2	small plate



9\_H1371\_60\_0-F-001

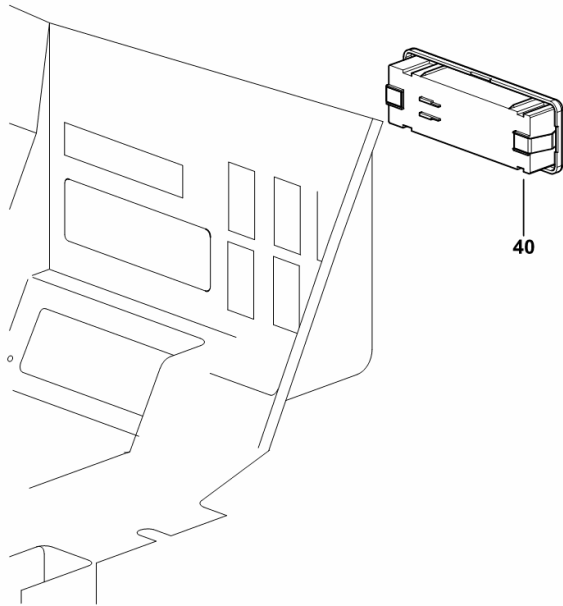
**COURTESY LIGHT**

Fig.	Code	QTY	Name
------	------	-----	------

**Notes:**

[Agroplus 67 -> 5001] -> 5072

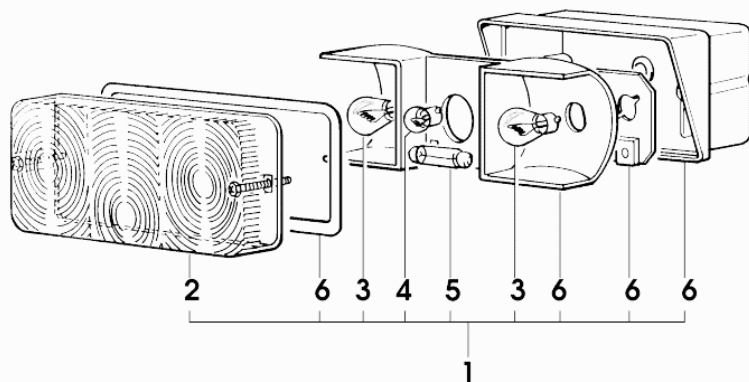
40	2.8339.032.0	1	interior light ☞ 2.8339.032.0
----	--------------	---	----------------------------------



9\_H1271\_30\_0-E-001

**HEADLAMP COMPONENTS**

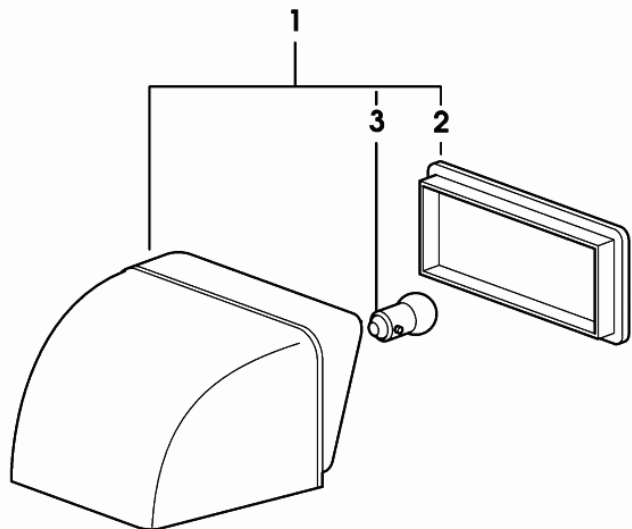
Fig.	Code	QTY	Name
1	2.8019.190.0	1	side lamp dx/rh/re
2	2.8019.190.2	1	light body dx/rh/re
3	2.8313.001.0	2	lamp 12V 21W
4	2.8313.005.0	1	lamp 12 V, 5 W
5	2.8313.007.0	1	lamp 12 V, 5 W
6	0.000.0000.1	0	not serviceable



2\_8019\_190\_0

**HEADLAMP COMPONENTS**

Fig.	Code	QTY	Name
1	2.8059.440.0/10	1	lamp
2	0.010.3486.2	1	guard
3	0.010.3487.0	1	lamp 12V - 21W



2\_8059\_440\_0\_10

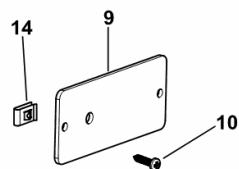
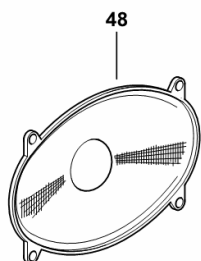
**LOUDSPEAKERS**

Fig.	Code	QTY	Name
------	------	-----	------

**Notes:**

- FOR TRACTORS WITH AIR HEATING [Agroplus 67 -> 5001] -> 5039 - 5081 <-

9	0.016.0429.0	1	support
10	2.0350.456.3	2	screw m 4.2 x 19 -AB-
14	2.6999.061.0	2	small spring 4.2
48	0.011.5631.3	2	loud speaker

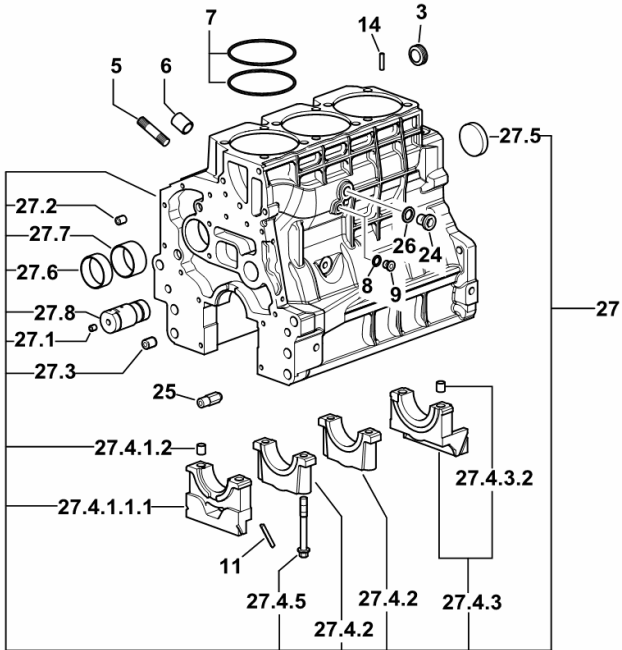


9\_H1371\_60\_0-C-001

Section: B0 - ENGINE  
**CRANKCASE**

Fig.	Code	QTY	Name
------	------	-----	------

Notes:  
 [Agroplus 67 -> 5001]



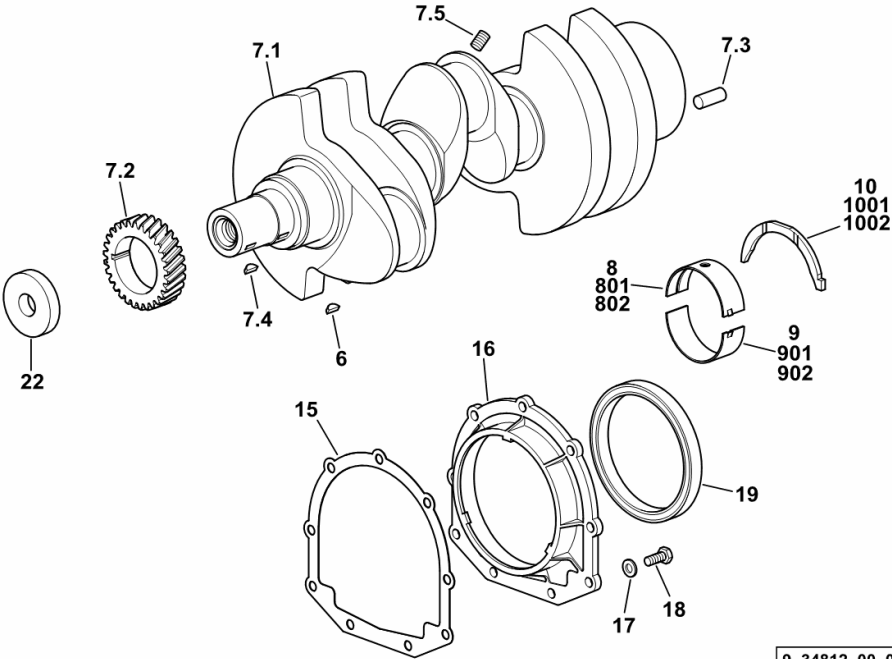
3	2.3199.312.2/20	1	plug m 35x1.5x9.5
5	2.0439.273.7	6	stud bolt m 8
6	2.1559.188.2	3	sleeve 11.4 x 14 x16
7	2.1539.259.0	6	'o' ring 107.62x2.62
8	2.1560.010.0	1	gasket 14.2 x 20 x 1.5
9	2.3199.292.0	1	plug 1/4" gas
11	0.066.1152.0/10	4	gasket
14	2.1549.154.2	3	sleeve 4.8x5.8x16
24	2.3120.101.0	1	plug m 18 p.1.5
25	0.013.4946.0/10	1	cooling nozze
26	2.1560.014.0	1	gasket 18.2 x 24 x 1.5
27	0.015.2793.4/10	1	crankcase
27.1	2.3130.001.1	9	plug 1/8" gas
27.2	2.3130.002.1	2	plug 1/4" gas
27.3	2.3130.003.1	2	plug 3/8" gas
27.4.1.1.1	0.065.1112.7/10	1	support
27.4.1.2	2.1699.165.0	1	sleeve 12.3x15x16
27.4.2	0.065.1114.0/10	2	support
27.4.3	0.065.1116.3	1	support
27.4.3.2	2.1699.165.0	1	sleeve 12.3x15x16
27.4.5	0.065.1117.0	8	screw m 12 x 100
27.5	2.3179.012.0	1	plug 60
27.6	0.065.1140.0	3	bushing 59X55X20
27.7	0.065.1141.0	1	bushing 59X55X30
27.8	0.014.1340.0/10	1	pin

Section: B0 - ENGINE  
**CRANKSHAFT**

Fig.	Code	QTY	Name
------	------	-----	------

Notes:  
 [Agroplus 67 -> 5001]

6	2.1720.006.0	1	key 4x6.5
7.1	0.007.1554.0/20	1	crank shaft
7.2	0.065.1323.0/30	1	gear Z = 29
7.3	2.1651.915.0	1	pin 12x35
7.4	2.1720.006.0	1	key 4x6.5
7.5	2.3130.001.1	3	plug 1/8" gas
8	0.065.1215.0/10	4	main half bushing STANDARD
9	0.065.1216.0/10	4	main half bushing STANDARD
10	0.065.1218.0	4	shim STANDARD
15	0.065.1254.0/20	1	gasket
16	0.007.1711.0/10	1	cover
17	2.1475.002.2	9	conical washer 8
18	2.0112.207.2	9	screw m 8 p 1.25 x 20
19	2.1529.073.0	1	'o' ring 110x130x13
22	2.1599.524.7	1	washer 21x60x12
801	0.065.1215.7	0	main half bushing - mm 0.25
802	0.065.1215.8	0	main half bushing - mm 0.50
901	0.065.1216.7	0	main half bushing - mm 0.25
902	0.065.1216.8	0	main half bushing - mm 0.50
1001	0.065.1218.7	0	shim + mm 0.10
1002	0.065.1218.8	0	shim + mm 0.15

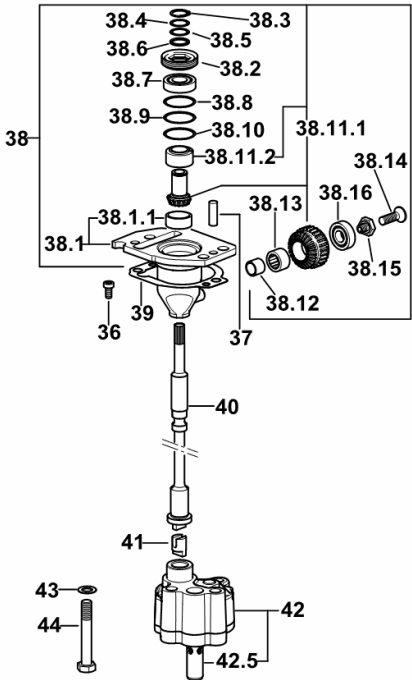


9\_34812\_00\_0-A-001

Section: B0 - ENGINE  
**ENGINE OIL PUMP**

Fig.	Code	QTY	Name
------	------	-----	------

**Notes:**  
 - EXPORT U.S.A. [Agroplus 67 -> 5001]

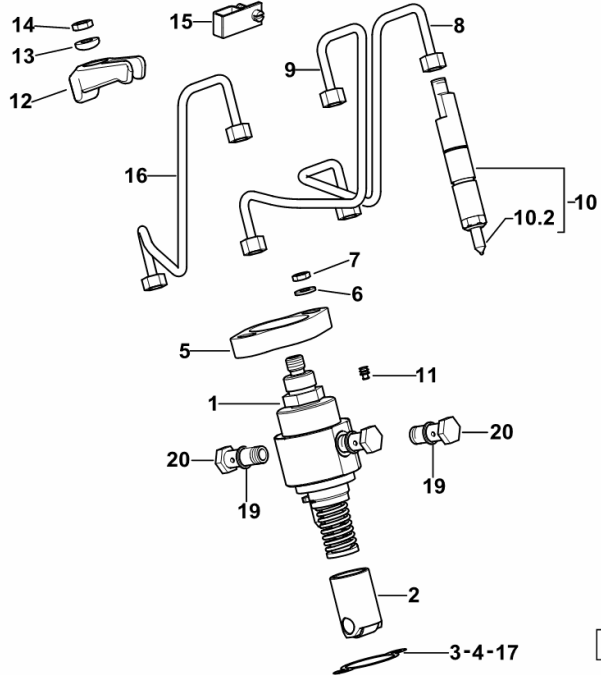


36	2.0169.005.2	2	screw m 6 p.1 x 12
37	2.1651.711.0	2	pin 8 x 14
38	0.013.1629.4/20	1	support
38.1	0.013.1629.3/10	1	support
38.1.1	2.1559.186.0	1	bushing 26 x 31.5 x 35
38.2	2.1219.025.2/10	1	ring nut m 36 p.1.5
38.3	2.1410.057.1	1	circlip 15
38.4	2.1589.153.0	1	snoulder 15.2 x 19 x 1.00
38.5	2.1589.146.0	2	snoulder 15.2 x 19 x 0.15
38.6	2.1589.147.0	2	snoulder 15.2 x 19 x 0.10
38.7	2.2020.001.0	1	ball bearing 15 x 32 x 8.00
38.8	2.1589.148.0	1	snoulder 28.2 x 31.8 x 0.5
38.9	2.1589.150.0	2	snoulder 28.2 x 31.8 x 0.1
38.10	2.1589.151.0	2	snoulder 28.2 x 31.8 x 0.15
38.11.1	0.065.1558.6/10	1	bevel gear
38.11.2	0.065.1559.0	1	sleeve
38.12	2.2680.020.0	1	ring 12 x 15 x 12
38.13	2.2725.016.0	1	roller cage 15 x 21 x 12
38.14	2.0342.007.6	1	screw m 4 p.0.7 x 30
38.15	2.0399.128.2/10	1	screw m 8 p.1 x 8
38.16	2.2030.002.0	1	ball bearing 12 x 28 x 8
39	0.065.1560.0/30	2	gasket
40	0.065.1569.0/40	1	shaft
41	0.065.1562.0/10	1	joint
42	0.010.5481.4	1	oil pump
42.5	0.065.1552.3/60	1	valve
43	2.1470.006.2	2	lock washer 10
44	2.0112.323.2	2	screw m 10 p.1.5x70

Section: B0 - ENGINE  
**INJECTION PUMP - INJECTOR**

Fig.	Code	QTY	Name
------	------	-----	------

Notes:  
[Agroplus 67 -> 5001]



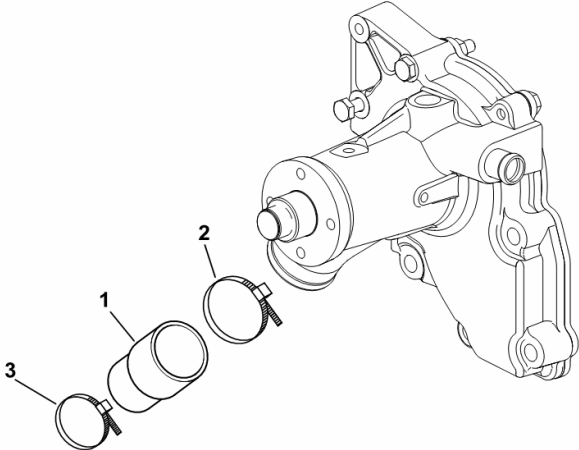
1	2.4619.270.0/10	3	injector pump
2	2.4619.230.0	3	tappets
3	0.014.9668.0/10	9	shim mm 0.20
4	0.014.9679.0/10	6	shim mm 0.30
5	0.012.9348.0/20	3	bracket
6	2.1599.458.0/10	6	snoulder 8.4x18x2
7	2.1011.405.2	6	nut m 8 p.1
8	0.013.0021.3	1	tube Ø 6 / Ø 1.5
9	0.013.3199.3	1	tube Ø 1,5 / m 12 p.1.5
10	2.4719.640.0	3	injector Ø 17
10.2	2.4729.630.0	1	nozzle
11	2.3199.270.0	3	plug 5.9x7.8
12	0.012.5977.0/20	3	bracket
13	2.1599.454.0	3	snoulder 10.5x17x7.5
14	2.1011.421.2	3	nut m 10 p.1.25
15	0.013.1014.3	1	terminal
16	0.013.3198.3	1	tube Ø 1,5 / m 12 p.1.5
17	0.015.1407.0/10	6	shim mm 0.05
19	2.1569.213.0	12	washer
20	2.3249.093.2	6	pipe fitting m 12 p.1

Section: B0 - ENGINE  
**COOLANT PIPE**

Fig.	Code	QTY	Name
------	------	-----	------

Notes:  
[Agroplus 67 -> 5001]

1	0.066.1754.0/10	1	sleeve
2	2.6851.005.0	1	clamp Ø 40/60
3	2.6851.004.0	1	clamp Ø 32/50



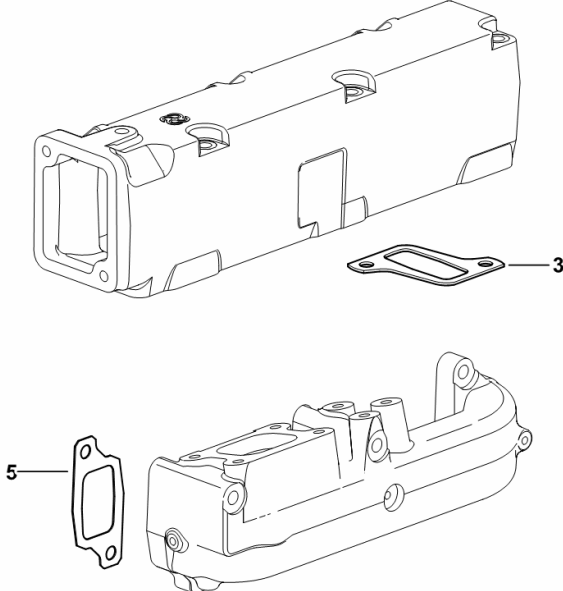
9\_33117\_12\_0-A-001

**INTAKE AND EXHAUST MANIFOLD GASKETS**

Fig.	Code	QTY	Name
------	------	-----	------

Notes:  
[Agroplus 67 -> 5001]

3	0.011.1304.0/10	3	gasket
5	0.007.1445.0	3	gasket



9\_34818\_00\_0-A-001

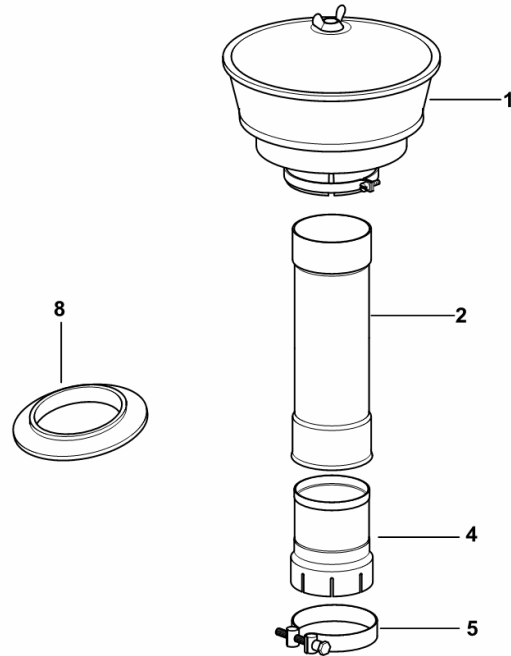
**CYCLONE FILTER**

Fig.	Code	QTY	Name
------	------	-----	------

**Notes:**

[Agroplus 67 -> 5001]

1	2.4239.110.0	1	precleaner ☞ 2.4239.110.0
2	0.010.4698.0	1	filter extension
4	0.010.4697.0/10	1	sleeve
5	0.164.8157.3/20	1	hose clip Ø 97
8	0.010.4713.0	1	gasket



9\_64881\_10\_0-A-001

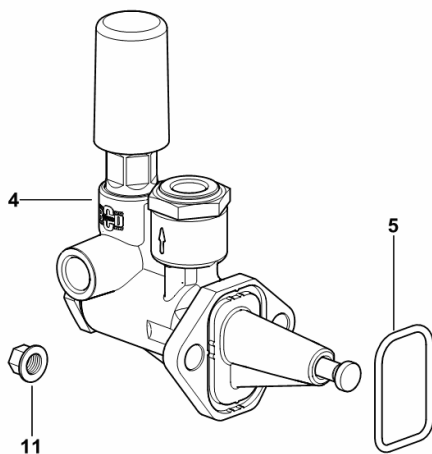
**FUEL FEED PUMP**

Fig.	Code	QTY	Name
------	------	-----	------

**Notes:**

[Agroplus 67 -> 5001]

4	2.4519.330.0/50	1	feed pump ☞ 2.4519.330.0/50
5	2.1539.045.0	1	'o' ring 37.77x2.62
11	2.1099.159.2/10	2	nut m 8



9\_M6516\_00\_0-A-001

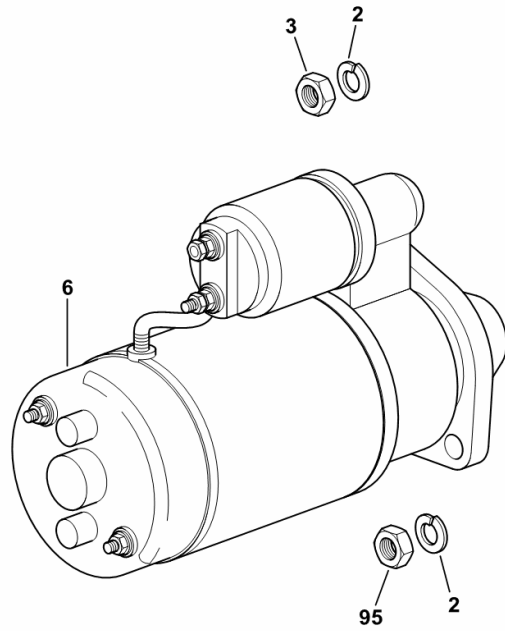
**STARTER**

Fig.	Code	QTY	Name
------	------	-----	------

**Notes:**

[Agroplus 67 -> 5001]

2	2.1470.007.2	2	lock washer 12
3	2.1011.422.2	1	nut m 12 p.1.25
6	2.9619.400.0	1	starter motor 12V - 2.4KW - Z = 11 ☞ 2.9619.400.0
95	2.1011.522.2	1	nut m 12 p.1.25



9\_50884\_09\_0-A-001

## Agroplus 67 -> 5001

### F0 - FRONT AXLE

#### FRONT SUPPORT

FRONT SUPPORT.....	F0.01.2 (1)
4WD - FRONT SUPPORT - WITH FRONT PTO AND LIFT.....	F0.01.4 (1)
4WD - PLUGS FOR FRONT SUPPORT.....	F0.01.5 (1)
4WD - FRONT SUPPORT.....	F0.01.8 (1)
FRONT SUPPORT - FIXINGS.....	F0.01.9 (1)

#### 4WD FRONT AXLE

4WD - FRONT DRIVE AXLE.....	F0.03.1 (1)
4WD - FRONT AXLE FORKS FOR TYPES WITH BRAKES.....	F0.03.2 (1)
4WD - FRONT AXLE YOKES.....	F0.03.3 (1)
BREATHER.....	F0.03.4 (1)
4WD - FRONT AXLE YOKES KIT.....	F0.03.6 (1)
4WD - FRONT AXLE YOKES KIT.....	F0.03.7 (1)
4WD - STANDARD SEALING.....	F0.03.8 (1)
STEERING ROD - MECH. STEERING - TELESCOPIC AXLE.....	0.010.0488.4/10.A

#### FRONT DIFFERENTIAL

4WD - BEVEL WHEEL GEAR Z = 15 / Z = 33.....	F0.04.0 (1)
DIFFERENTIAL BEVEL GEAR PAIR.....	F0.04.1 (1)
4WD - FRONT DIFFERENTIAL LOCK- STANDARD SEALING.....	F0.04.2 (1)
4WD - DIFFERENTIAL LOCK CONTROL-ELECTROHYDRAULIC.....	F0.04.3 (1)
4WD - DIFFERENTIAL LOCK CONTROL-ELECTROHYDRAULIC.....	F0.04.3 (2)
4WD - FLANGE.....	F0.04.4 (1)
4WD - TRANSMISSION SHAFT.....	F0.04.6 (1)

#### STEERING CYLINDER

4WD - POWER STEERING CYLINDER.....	F0.05.2 (1)
4WD - POWER STEERING CYLINDER.....	F0.05.3 (1)
CYLINDER PARTS.....	0.009.9892.4/10.A

#### FINAL DRIVE REDUCTION UNITS AND HALF-SHAFTS

4WD - FRONT REDUCTION GEARBOX.....	F0.06.0 (2)
4WD - FRONT REDUCTION GEARBOX.....	F0.06.0 (3)
4WD - AXLESHAFTS.....	F0.06.1 (1)
FRONT WHEEL HUB COVER.....	F0.06.3 (1)
4WD - AXLESHAFTS.....	0.009.6694.4/30.B

#### FRONT BRAKES

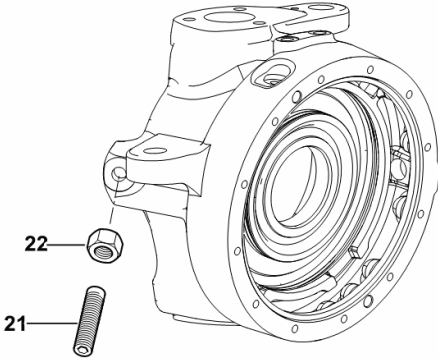
4WD - FRONT BRAKES.....	F0.07.1 (1)
-------------------------	-------------

Section: F0 - FRONT AXLE  
**4WD - FRONT AXLE YOKES KIT**

Fig.	Code	QTY	Name
------	------	-----	------

Notes:  
[Agroplus 67 -> 5001]

21	2.0599.094.2/10	2	screw m 14 p.2 x 60
22	2.1011.108.2	2	nut m 14 p.2

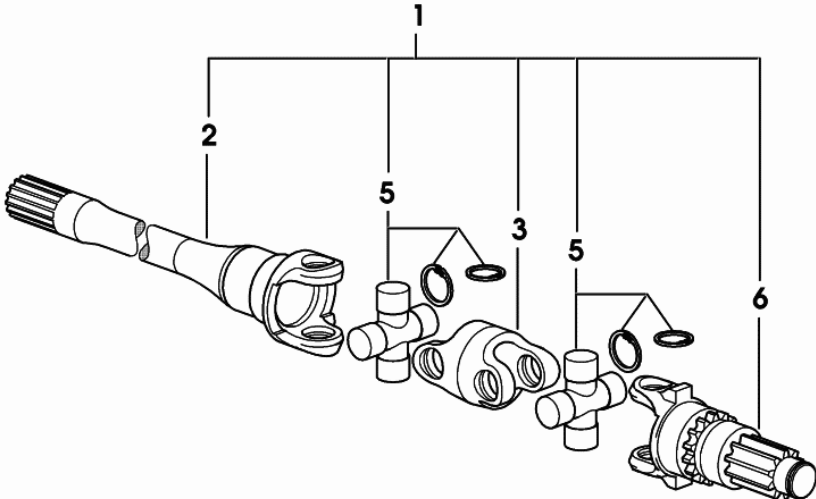


9\_68443\_09\_0-C-001



Section: F0 - FRONT AXLE  
4WD - AXLESHAFTS

Fig.	Code	QTY	Name
1	0.009.6694.4/30	1	joint
2	0.010.3027.0	1	half-shaft
3	0.010.3025.1	1	fork
5	0.010.3026.0	2	universal joint
6	0.010.3026.1	1	axle shaft



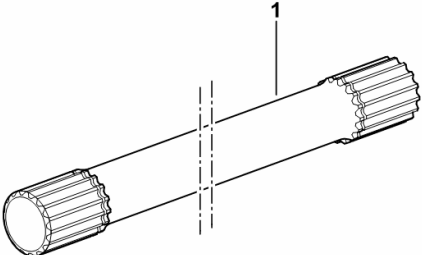
009\_6694\_4\_30\_B

**DRIVE SHAFT - FRONT P.T.O. SHAFT**

Fig.	Code	QTY	Name
------	------	-----	------

Notes:  
[Agroplus 67 -> 5001]

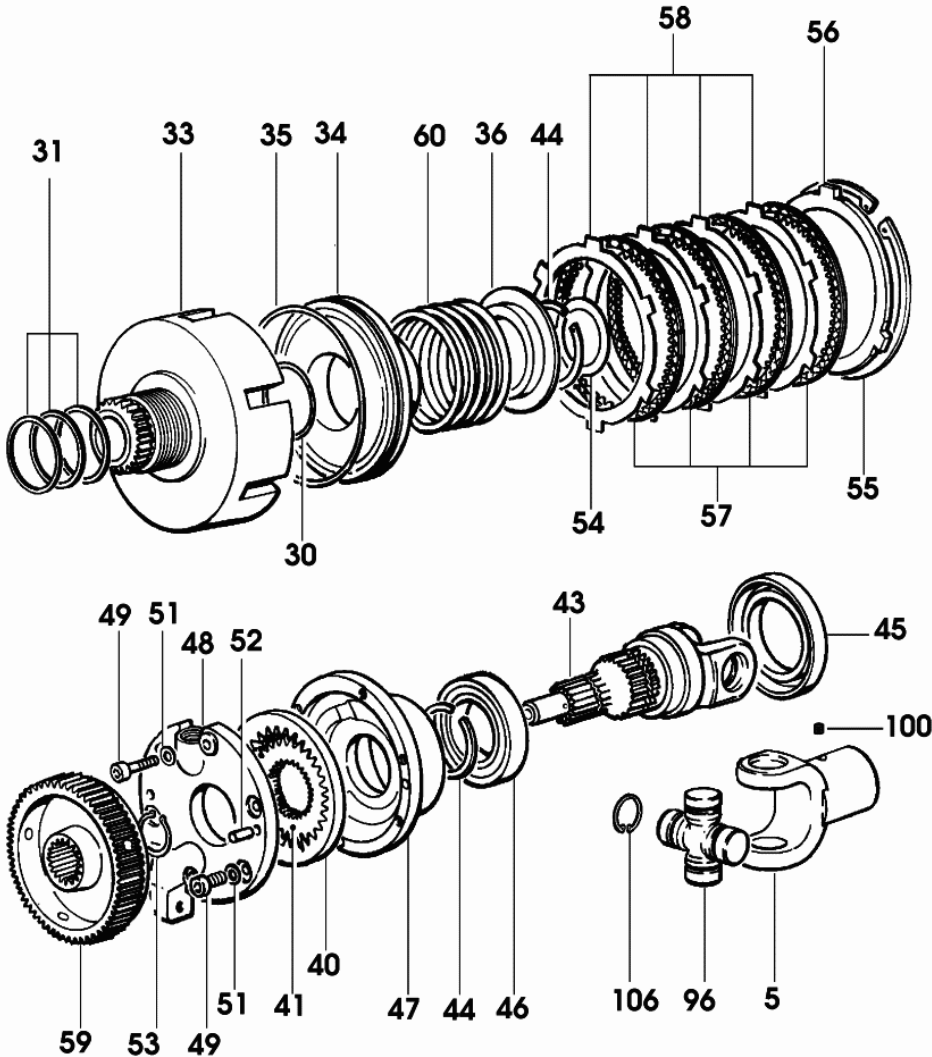
1	0.014.3775.0	1	p.t.o.shaft mm 194 ( -> 5004 )
---	--------------	---	--------------------------------



9\_49059\_87\_0-A-001

Section: M0 - FRONT PTO  
**P.T.O. FRONT**

Fig.	Code	QTY	Name
5	0.008.8345.0/10	1	sleeve
30	2.1532.133.0	1	'o' ring 53.64x2.62
31	2.1569.109.0	3	gasket 46x50x2
33	0.275.3910.0/50	1	body
34	0.255.3938.0/40	1	piston
35	2.1539.064.0	1	'o' ring 120.33x2.62
36	0.255.3933.0	1	disc
40	0.008.1362.0/10	1	crown wheel Z = 31
41	0.008.1363.0/10	1	pinion z = 25 z = 30
43	0.008.8346.0/30	1	shaft
44	2.1420.016.0	1	circlip a 40
45	2.1520.229.0	1	oil seal 55 x 80 x 10
46	2.2030.009.0	1	ball bearing 40x68x15
47	0.008.1361.0/10	1	pump casing
48	0.008.2669.0/20	1	cover
49	2.0312.106.2	6	screw m 6 p.1 x 20
51	2.1480.012.1	6	washer 6, d128
52	2.1651.507.0	2	pin 6 x 16
53	2.1410.009.1	1	circlip 24
54	2.1599.415.0	1	snoulder 35x52x1
55	2.1419.035.1	1	circlip 127
56	0.255.3969.0/10	1	disc
57	0.255.3970.2	4	disc
58	0.013.9453.0	4	disc
59	0.445.3932.0/20	1	hub
60	2.4019.373.1	1	spring 79.5x61.5x6.5
96	0.146.4632.4/10	1	universal joint
100	2.3139.011.1	1	grain 1/8" gas
106	2.1499.012.1/10	4	circlip Ø 24



011\_9177\_4\_60\_C

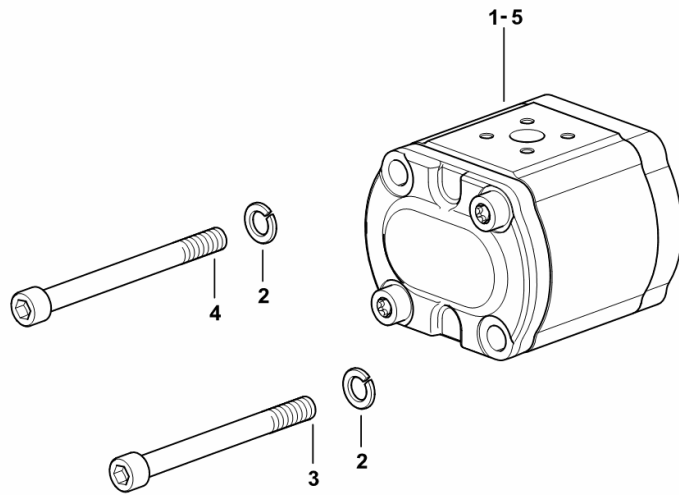
**HYDRAULIC PUMP 16 cc - sx/lh/li**

Fig.	Code	QTY	Name
------	------	-----	------

**Notes:**

- FOR TYPES WITHOUT H-M-L (POWERSHIFT) [Agroplus 67 -> 5001]

1	2.4539.310.0/10	1	hydraulic pump 16cc sx/lh/li - BOSCH ☞ 2.4539.310.0/10
2	2.1474.010.2	2	washer 10
3	2.0312.327.2	1.4	screw m 10 p.1.5x110
4	2.0312.328.2	0.6	screw m 10 p.1.5x120
5	2.4529.920.0	0	hydraulic pump 17cc sx/lh/li - SAUER - ☞ 2.4529.920.0



9\_F0282\_02\_0-A-001

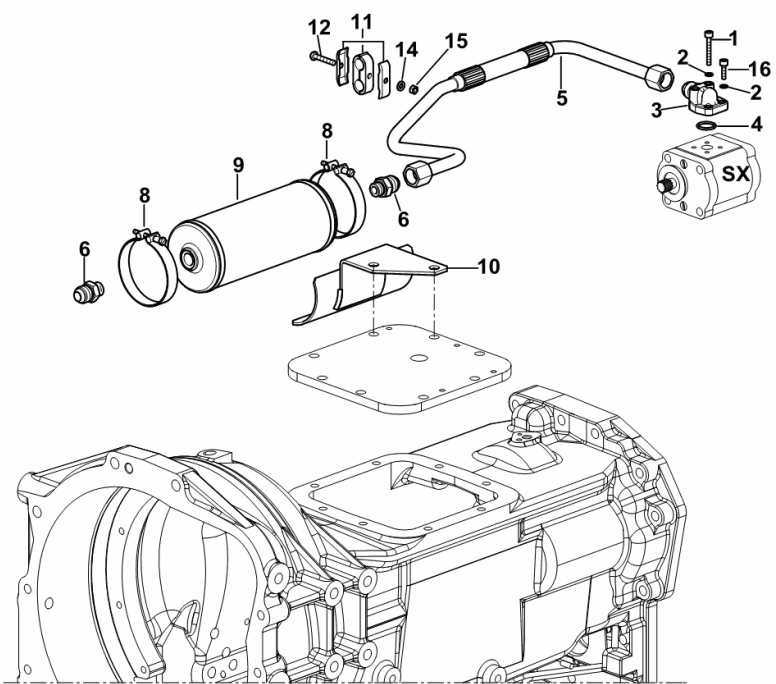
**POWER STEERING OIL FEED HYDRAULIC SYSTEM**

Fig.	Code	QTY	Name
------	------	-----	------

**Notes:**

[Agroplus 67 -> 5001] -> 5046

1	2.0312.114.2	2	screw m 6 p.1x40
2	2.1480.012.2	4	washer 6, d128
3	0.008.9626.0	1	pipe fitting
4	2.1531.052.0	1	'o' ring 20.29 x 2.62
5	0.014.4721.3	1	tube
6	2.3249.141.2	2	pipe fitting 7/8 JIC-M18
8	0.164.8157.3/20	2	hose clip Ø 97
9	0.010.8872.0/20	1	filter
10	0.013.9717.2	1	bracket
11	2.3321.020.0	1	collar Ø 16
12	2.0112.013.2	1	screw m 6 p.1 x 35
14	2.1310.002.2	1	washer 6.6, d125
15	2.1011.103.2	1	nut m 6 p.1
16	2.0312.106.2	2	screw m 6 p.1 x 20



9\_I6582\_06\_0-A-001

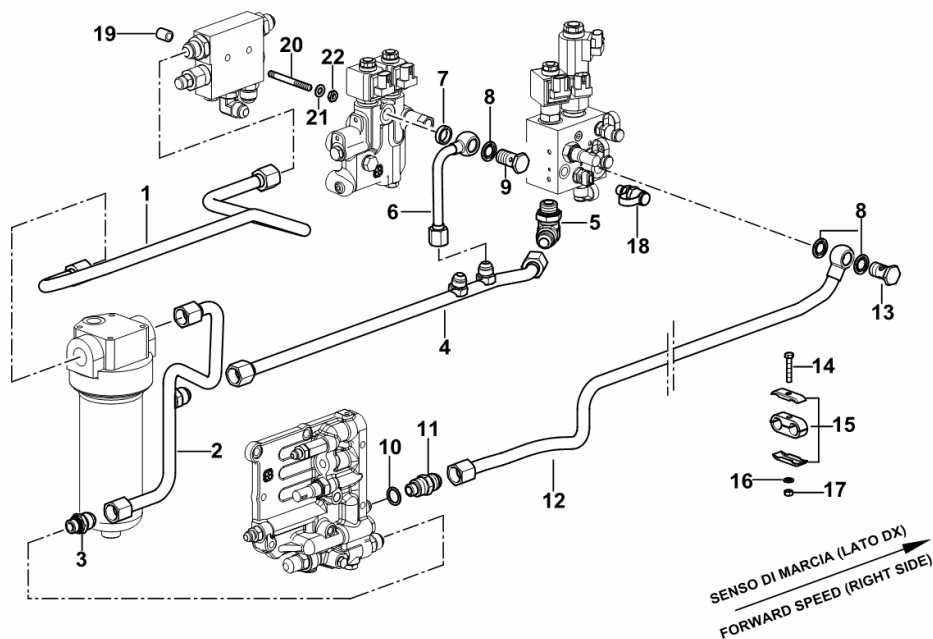
**HYDRAULIC SYSTEM**

Fig.	Code	QTY	Name
------	------	-----	------

**Notes:**

- FOR TYPES WITH OVERSPEED H-M-L (POWERSHIFT) [Agroplus 67 -> 5001] -> 5054

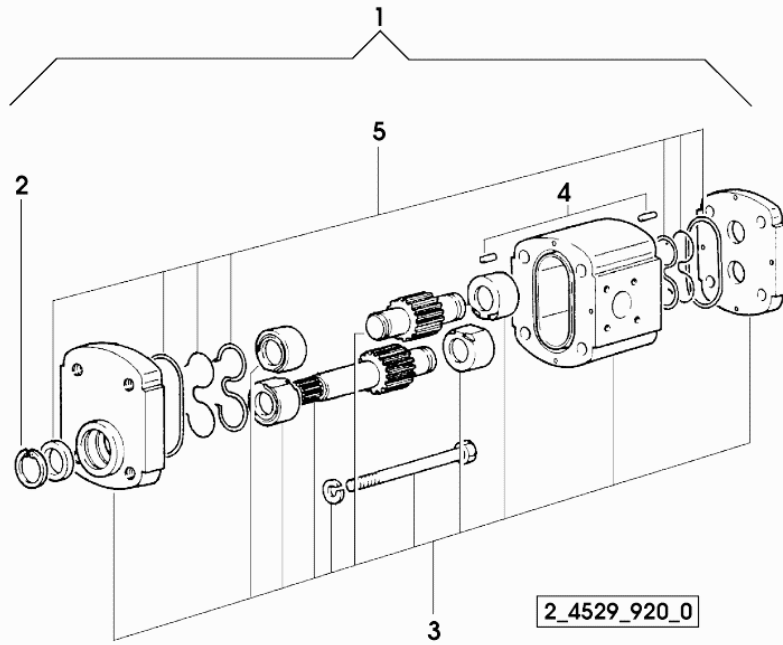
1	0.013.9747.3	1	tube
2	0.013.9748.3	1	tube
3	2.3249.141.2	1	pipe fitting 7/8 JIC-M18
4	0.014.2384.3	1	tube
5	2.3264.020.2	1	pipe fitting m 22 p.1.5 - 7/8
6	0.013.9893.3	1	tube
7	2.1569.158.0/10	1	gasket 18.2 x 24 x 6.5
8	2.1561.110.0	3	'o' ring Ø 18 -B-
9	0.009.9998.4/10	1	valve
10	2.1561.008.0	1	'o' ring 16
11	2.3249.110.2	1	pipe fitting 7/8" - 14 JIC M 16
12	0.015.5796.3	1	tube
13	2.3335.008.2	1	pipe union m 18 p.1.5 x 32
14	2.0112.013.2	1	screw m 6 p.1 x 35
15	2.3321.020.0	1	collar Ø 16
16	2.1310.002.2	1	washer 6.6, d125
17	2.1011.103.2	1	nut m 6 p.1
18	2.3729.696.0	1	socket
19	2.1579.826.2	2	spacer 9x14x17
20	2.0432.018.7	2	stud bolt m 8 p.1.25 / p.1 x 65
21	2.1310.004.2	2	flat washer 8.5
22	2.1011.205.2	2	nut m 8 p.1.25



9\_i6582\_17\_0-A-001

**HYDRAULIC PUMP PARTS**

Fig.	Code	QTY	Name
1	2.4529.920.0	1	hydraulic pump 17cc sx/lh/li - SAUER -
2	0.009.4129.1	1	circlip
3	0.000.0000.1	0	not serviceable
4	0.009.4130.1	1	roller
5	0.009.4128.1	1	seal ring kit



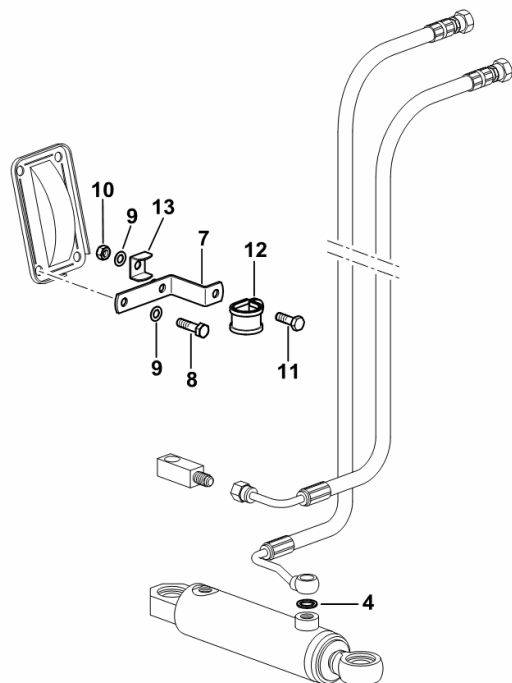
**PIPES FOR HYDROSTATIC STEERING**

Fig.	Code	QTY	Name
------	------	-----	------

**Notes:**

- FOR 4WD TYPES [Agroplus 67 -> 5001]

4	2.1560.010.0	1	gasket 14.2 x 20 x 1.5
7	0.010.0785.2	1	bracket
8	2.0112.211.2	1	screw m 8 p.1.25 x 30
9	2.1470.004.2	2	washer 8
10	2.1011.105.2	1	nut m 8 p.1.25
11	2.0112.209.2	1	screw m 8 p 1.25 x 25
12	2.6839.064.0	1	clamp 27/20
13	0.010.0786.0	1	u bolt



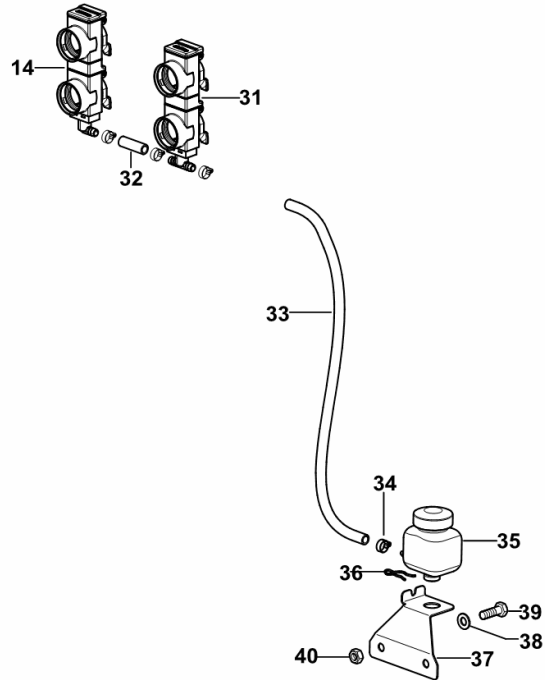
9\_64863\_05\_0-A-001

**QUICK COUPLER GUARDS AND OIL DRIP COLLECTOR**

Fig.	Code	QTY	Name
------	------	-----	------

**Notes:**

[Agroplus 67 -> 5001]



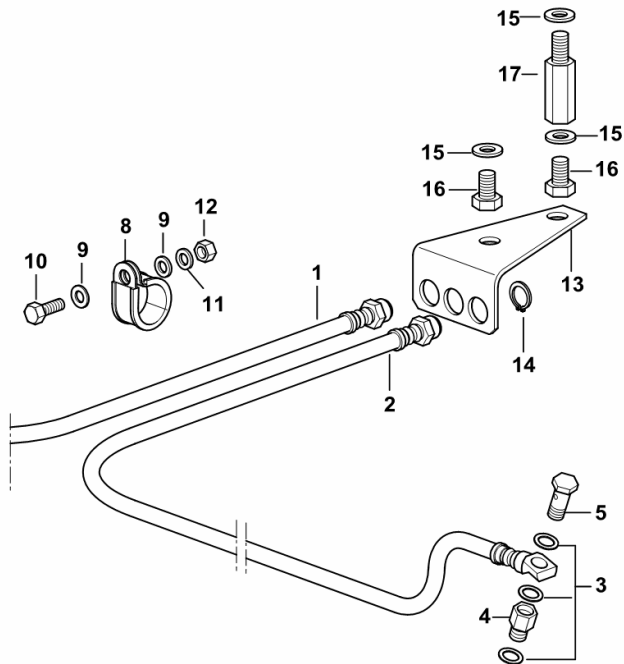
14	0.015.3300.0	1	plug
31	0.015.3301.0	1	plug
32	0.012.9660.0/10	1	flexible hose
33	0.012.9660.0/10	1	flexible hose
34	2.6851.019.0	1	clamp Ø 13/20
35	0.011.0212.3	1	tank ☞ 0.011.0212.3
36	0.171.6656.0	1	small spring
37	0.013.7833.0/20	1	bracket
38	2.1310.006.2	2	flat washer 10.5
39	2.0112.311.2	2	screw m 10 p.1.5 x 30
40	2.1011.106.2	2	nut m 10 p.1.5

**BRAKE PIPES - FRONT**

Fig.	Code	QTY	Name
------	------	-----	------

**Notes:**

- 4WD [Agroplus 67 -> 5001]



9\_64766\_02\_0-A-001

1	0.010.0274.3	1	tube dx/rh/re
2	0.010.0273.3	1	tube sx/lh/li
3	2.1560.008.0	6	gasket 12.2 x 18
4	2.3249.029.2	2	pipe fitting m 12 p.1,25x26.5
5	2.3339.431.2/10	2	pipe union m 12 p.1.25x21
8	2.6839.055.0	4	clamp Ø 11 / 20
9	2.1310.002.2	8	washer 6.6, d125
10	2.0112.013.2	4	screw m 6 p.1 x 35
11	2.1470.002.2	4	washer 6, d128
12	2.1011.103.2	4	nut m 6 p.1
13	0.010.0279.0/10	1	bracket
14	2.1410.004.2	2	circlip 16
15	2.1470.007.2	3	lock washer 12
16	2.0112.407.2	2	screw m 12 p.1.75 x 20
17	0.010.0281.0	1	small column

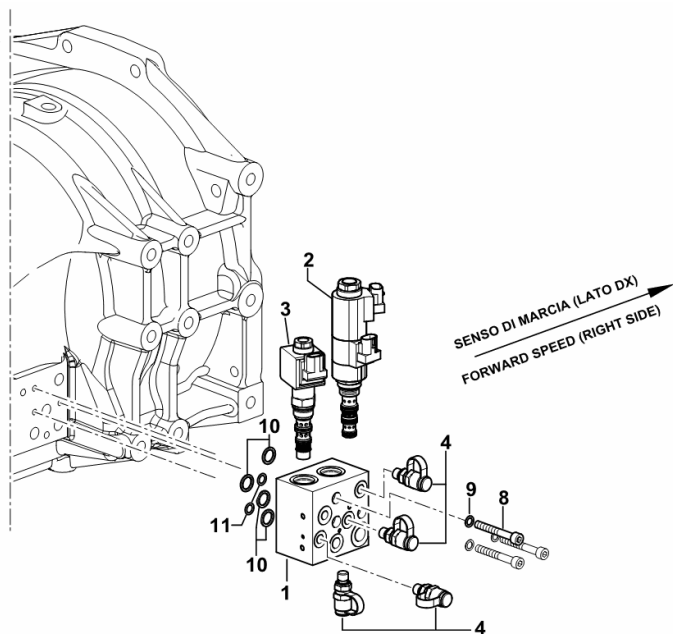
**HYDRAULIC SHUTTLE CONTROL**

Fig.	Code	QTY	Name
------	------	-----	------

**Notes:**

[Agroplus 67 -> 5001] 5044 <-

1	0.013.8760.3/10	1	body
2	2.3719.750.0/40	1	electro valve 12 V - 21 W, ON/OFF 4/3 ☞ 2.3719.750.0/40
3	2.3729.698.0	1	electro valve EVP, 20 bar ☞ 2.3729.698.0
4	2.3729.696.0	4	socket
8	2.0312.218.2	3	screw m 8 p.1.25 x 60
9	2.1480.014.2	3	washer 8
10	2.1539.142.0	4	'o' ring 15.54x2.62
11	2.1531.025.0	2	'o' ring 10.82x1.78



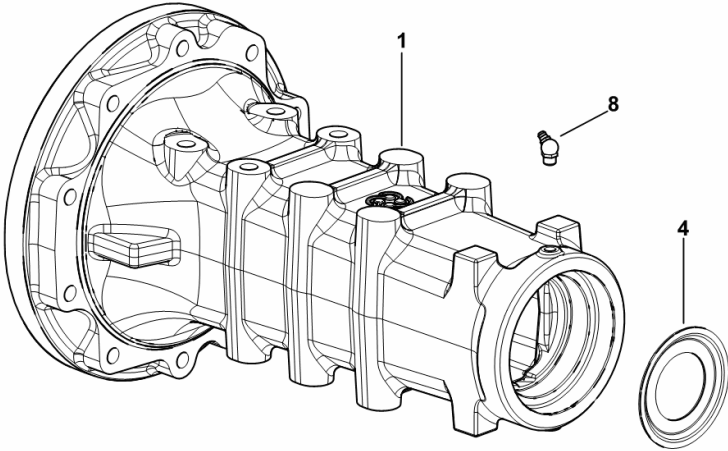
9\_C1282\_25\_0-A-001

Section: E0 - REAR AXLE  
**REAR AXLE**

Fig.	Code	QTY	Name
------	------	-----	------

Notes:  
[Agroplus 67 -> 5001]

1	0.007.2515.0/70	2	wheel support
4	0.255.4451.0	2	cup
8	2.3821.103.2	2	lubricator m 10 p.1



9\_64844\_10\_0-A-001

## Agroplus 67 -> 5001

### R0 - REAR LIFT

#### LIFT COVER

POWER-LIFT CASE.....	R0.01.0 (1)
LIFT FIXING COMPONENTS.....	R0.01.1 (1)
LIFT FIXING COMPONENTS.....	R0.01.2 (1)
PLUG.....	R0.01.3 (1)

#### LIFT ASSEMBLY

LIFTING.....	R0.02.0 (1)
LIFTING.....	R0.02.1 (1)

#### LIFT CONTROL VALVE

FLOW CONTROL VALVE WITH MECHANICAL CONTROL.....	R0.03.0 (1)
FLOW CONTROL VALVE WITH MECHANICAL CONTROL.....	R0.03.1 (1)
FIXING FOR MECHANICAL LIFT CONTROL VALVE WITH 6-WAY REMOTE VALVE.....	R0.03.3 (1)
REGULATING DISTRIBUTOR WITH ELECTRONIC CONTROL.....	R0.03.4 (1)
DISTRIBUTOR.....	2.3729.460.0.A

#### IN-CAB CONTROLS

INTERNAL CONTROLS.....	R0.04.0 (1)
------------------------	-------------

#### SENSOR

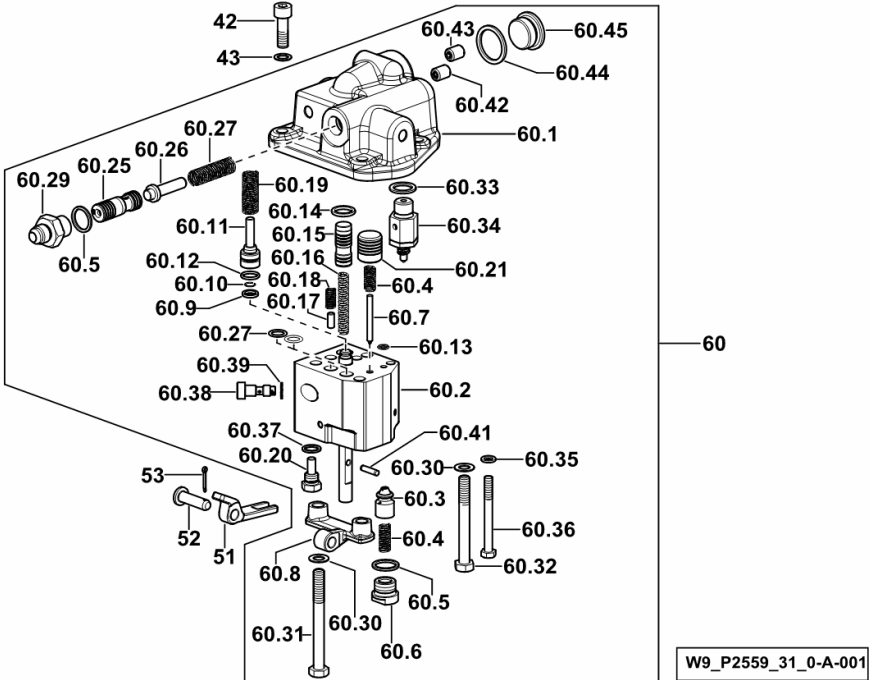
SENSITIVE ELEMENTS.....	R0.05.0 (1)
SENSING ELEMENTS WITH ELECTRONIC CONTROL.....	R0.05.1 (1)

#### THREE-POINT LINKAGE - LINK ARMS

LIFT ARMS TO GEARBOX LOCK PINS.....	R0.06.0 (1)
LIFT ARMS TO GEARBOX LOCK PINS.....	R0.06.1 (1)
TOP LINK ATTACHMENT SPRING WITH MECHANICAL REAR LIFT.....	R0.06.2 (1)
TOP LINK SPRING W/ ELECTRONIC REAR LIFT.....	R0.06.3 (1)
3-POINT LINKAGE - ADJUSTABLE MECHANICAL TIE ROD.....	R0.06.5 (1)
3-POINT HITCH WITH HYDRAULIC LIFT ROD.....	R0.06.6 (1)
THREE POINT LINKAGE.....	R0.06.7 (1)
3-POINT LINKAGE.....	R0.06.8 (1)
3-POINT LINKAGE WITH AUTOMATIC COUPLERS.....	R0.06.9 (2)
TOWING BAR.....	R0.06.10 (1)
CYLINDER PARTS.....	0.010.7534.4.A
LINKAGE.....	0.014.1412.3.A
TOWING HITCH.....	0.014.1420.3.A

**FLOW CONTROL VALVE WITH MECHANICAL CONTROL**

Fig.	Code	QTY	Name
60.41	2.1631.307.0	1	roll pin 4x16
60.42	0.9123.450.3/10	1	grain
60.43	0.9123.454.3/10	1	grain
60.44	2.1560.019.0	1	gasket 24.3x30
60.45	2.3199.118.2	1	plug m 24 p.1.5

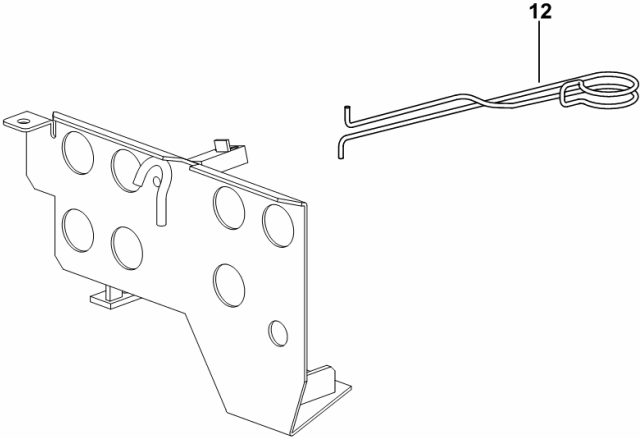


**TOP LINK SPRING W/ ELECTRONIC REAR LIFT**

Fig.	Code	QTY	Name
------	------	-----	------

Notes:  
[Agroplus 67 -> 5001]

12	0.007.7917.2/10	1	spring
----	-----------------	---	--------



9\_18359\_55\_0-B-001

## Agroplus 67 -> 5001

### D0 - TRANSMISSION

#### HYDRAULIC SHUTTLE ASSEMBLY

HYDRAULIC SHUTTLE.....D0.03.0 (1)

#### HML - HI-LO - SHML

H-M-L UNIT.....D0.04.0 (1)

H-M-L UNIT.....D0.04.1 (1)

#### GEARBOX INPUT SHAFT

FLEXIBLE COUPLINGS.....D0.05.0 (1)

GEARBOX INPUT SHAFT.....D0.05.1 (1)

5-SPEED GEARBOX INPUT SHAFT WITH UNDERDRIVE.....D0.05.3 (1)

SYNCHRONISERS.....D0.05.4 (1)

5-SPEED GEARBOX INPUT SHAFT.....D0.05.6 (1)

SYNCHRONIZER PARTS.....0.007.7620.4/10.A

#### PTO INPUT SHAFT

P.T.O. - CLUTCH TRANSMISSION SHAFT.....D0.06.0 (1)

#### MAIN SHAFT

5-SPEED GEARBOX PRIMARY SHAFT WITH UNDERDRIVE.....D0.07.1 (1)

5-SPEED GEARBOX PRIMARY SHAFT.....D0.07.3 (1)

#### SECONDARY SHAFT

TRANSMISSION SHAFT - FOR TYPES WITHOUT H-M-L (POWERSHIFT).....D0.08.0 (1)

H-M-L GEARBOX SECONDARY SHAFT.....D0.08.1 (2)

5-SPEED GEARBOX SECONDARY SHAFT WITH UNDERDRIVE.....D0.08.3 (1)

5-SPEED GEARBOX SECONDARY SHAFT.....D0.08.5 (1)

SYNCHRONISERS.....D0.08.6 (1)

SYNCHRONISERS.....D0.08.7 (1)

SYNCHRONIZER PARTS.....0.007.7620.4/10.A

SYNCHRONIZER PARTS.....0.007.7621.4.A

#### GEARBOX

GEARBOX FRONT- FIXINGS.....D0.09.2 (1)

GEARBOX.....D0.09.3 (1)

GEARBOX FRONT.....D0.09.3 (2)

GEARBOX REAR.....D0.09.4 (2)

GEARBOX UPPER COVER.....D0.09.5 (1)

PLUGS FOR GEARBOX.....D0.09.8 (1)

FRONT GEARBOX PLUG.....D0.09.9 (1)

PLUG FOR GEARBOX WITH H-M-L.....D0.09.10 (1)

PLUG FOR TYPES WITH ELECTROHYDRAULIC 4WD ENGAGEMENT.....D0.09.13 (1)

SENSOR BRACKET.....D0.09.15 (1)

#### INTERNAL AND EXTERNAL GEARBOX CONTROLS

GEARBOX CONTROL ROD.....D0.10.0 (1)

INTERNAL CONTROLS OF 5-SPEED GEARBOX WITH UNDERDRIVE.....D0.10.2 (2)

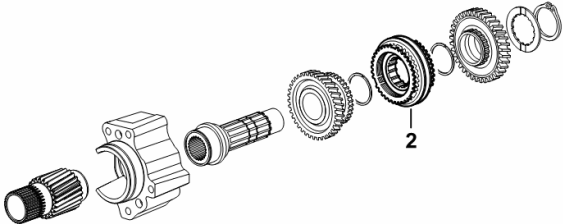
5-SPEED GEARBOX INTERNAL CONTROLS.....D0.10.4 (2)

Section: D0 - TRANSMISSION  
**SYNCHRONISERS**

Fig.	Code	QTY	Name
------	------	-----	------

Notes:  
- FOR TYPES WITHOUT H-M-L (POWERSHIFT) [Agroplus 67 -> 5001]

2	0.007.7620.4/10	3	lock synchronizer 62 ☞ 0.007.7620.4/10
---	-----------------	---	---



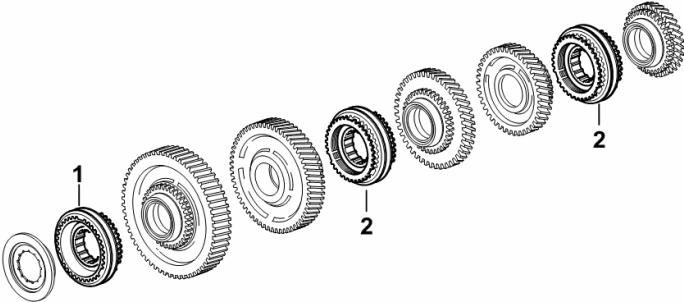
9\_D3233\_03\_0-B-001

Section: D0 - TRANSMISSION  
**SYNCHRONISERS**

Fig.	Code	QTY	Name
------	------	-----	------

**Notes:**  
- FOR TYPES WITHOUT H-M-L (POWERSHIFT) [Agroplus 67 -> 5001]

1	0.007.7621.4	1	lock synchronizer 62 ☞ 0.007.7621.4
2	0.007.7620.4/10	3	lock synchronizer 62 ☞ 0.007.7620.4/10



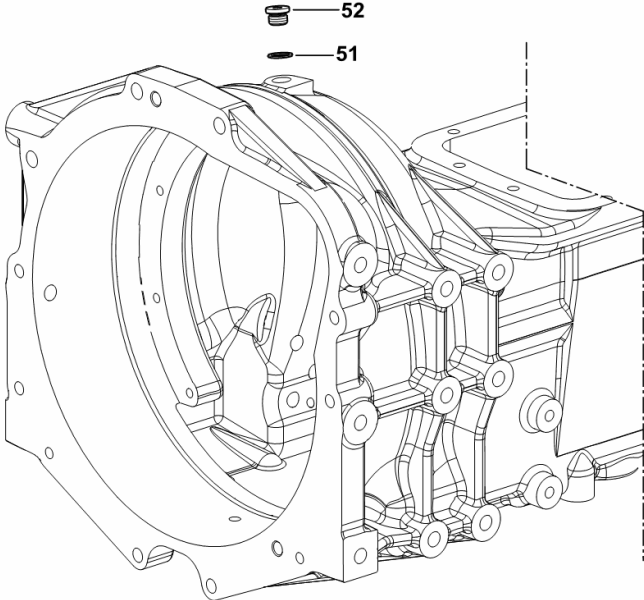
9\_D3233\_03\_0-A-001

Section: D0 - TRANSMISSION  
**FRONT GEARBOX PLUG**

Fig.	Code	QTY	Name
------	------	-----	------

Notes:  
[Agroplus 67 -> 5001] -> 5116

51	2.1560.014.0	1	gasket 18.2 x 24 x 1.5
52	2.3120.001.4	1	plug m 18 p.1.5



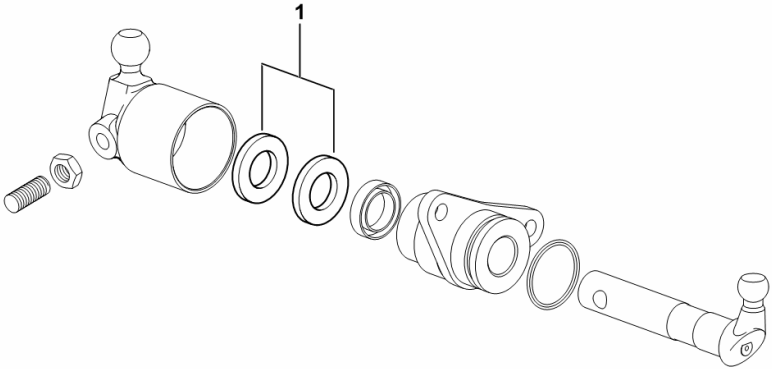
9\_C1232\_00\_0-C-001

**PARTS SET - 5-SPEED GEARBOX**

Fig.	Code	QTY	Name
------	------	-----	------

**Notes:**  
- FOR TYPES WITH H-M-L- (POWERSHIFT) [Agroplus 67 -> 5001]

1	2.1549.117.0/10	2	spacer 20.1 x 36 x 4.6
---	-----------------	---	------------------------



9\_C1233\_06\_0-A-001

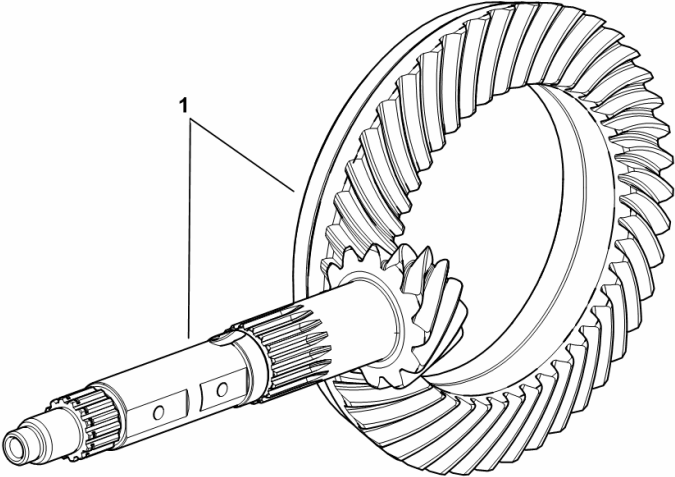
**BEVEL WHEEL GEAR Z = 12 / Z = 44**

Fig.	Code	QTY	Name
------	------	-----	------

Notes:  
[Agroplus 67 -> 5001]

1	0.015.0396.3	1	bevel gear Z = 12 / Z = 44
---	--------------	---	----------------------------

9\_64835\_01\_0-A-001

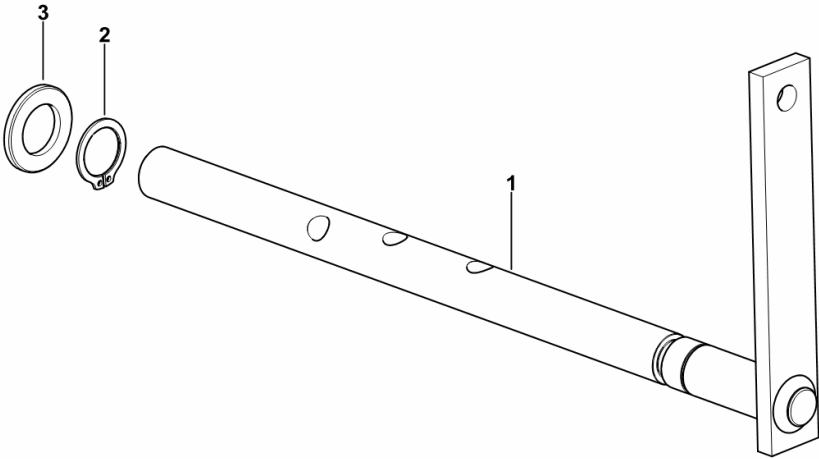


Section: D0 - TRANSMISSION  
**CONTROL LEVER P.T.O.**

Fig.	Code	QTY	Name
------	------	-----	------

**Notes:**  
540/750/1000 [Agroplus 67 -> 5001] 540/750 + SYNCRO [Agroplus 67 -> 5001] 540/750/1000 - EXPORT U.S.A. [Agroplus 67 -> 5001]

1	0.009.7068.2/30	1	lever
2	2.1410.004.2	1	circlip 16
3	2.1311.010.2	1	flat washer 16



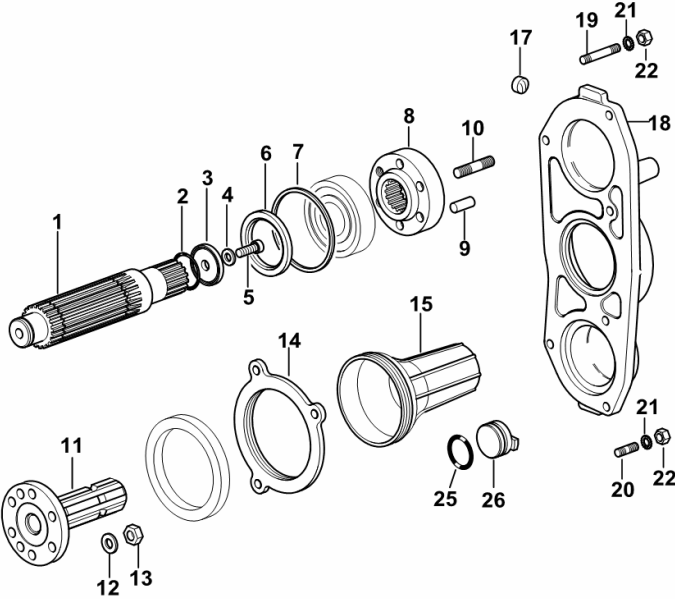
9\_C1036\_06\_0-A-001

**PTO - 2-SPEED WITH INSERTED END SHAFT 540 - 750**

Fig.	Code	QTY	Name
------	------	-----	------

**Notes:**

[Agroplus 67 -> 5001] -> 5016



1	0.012.0100.0/10	1	shaft
2	2.1531.091.0	1	'o' ring 34.60 x 2.62
3	0.011.6415.0	1	thrust plate
4	2.1475.203.7	1	washer 10.5
5	2.0313.308.2	1	screw m 10 x 25
6	2.1599.827.0	1	snoulder
7	2.1549.430.0	1	spacer 80x87x3
8	0.011.3229.0	1	flange
9	2.1651.811.0	2	cylindrical plug 10x24
10	2.0432.155.7	6	stud bolt m 10 p.1.5 / p. 1.25 x 25
11	0.011.3221.0	1	p.t.o.shaft Z = 6
12	2.1470.006.2	6	lock washer 10
13	2.1011.421.2	6	nut m 10 p.1.25
14	0.011.3274.0	1	cover
15	0.008.0757.0	1	guard
17	2.3171.006.4	1	plug Ø 16
18	0.011.3261.0/20	1	cover
19	2.0422.215.7	2	stud bolt m 8 p.1.25 x 50
20	2.0422.203.7	5	stud bolt m 8 p.1.25 x 20
21	2.1470.004.2	7	washer 8
22	2.1011.105.2	7	nut m 8 p.1.25
25	2.1530.079.0	1	'o' ring 29.82 x 2.62
26	0.014.1957.0	1	plug

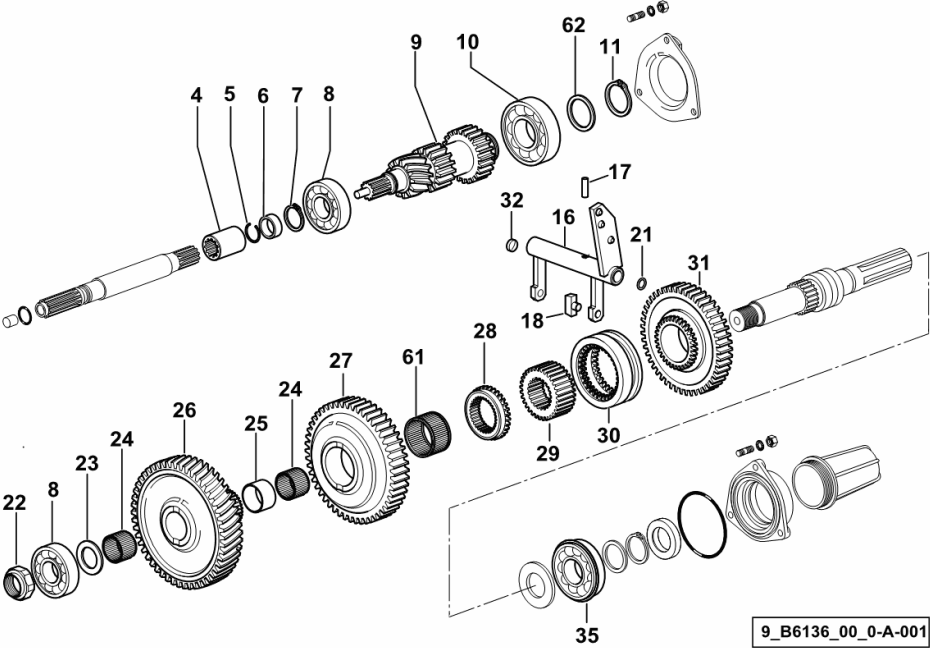
9\_H6036\_01\_0-A-001

**P.T.O. - 3 SPEED TYPE 540-750-1000**

Fig.	Code	QTY	Name
------	------	-----	------

Notes:  
[Agroplus 67 -> 5001] 5038 <-

4	0.010.7696.0	1	sleeve Z = 11
5	2.1421.010.7	1	circlip 25
6	2.1549.172.0	1	spacer 24.7 x 31 x 12
7	2.1410.012.1	1	circlip 30
8	2.2999.300.0	2	bearing 30 x 72 x 19
9	0.013.3587.0	1	p.t.o.shaft Z = 11 / 14 / 18 / 23
10	2.2062.012.0	1	ball bearing 40 x 90 x 23
11	2.1410.016.1	1	circlip 40
16	0.010.7710.3	1	fork
17	2.1631.712.0	1	pin 8x26
18	0.255.6463.0	2	shoe
21	2.1530.028.0	1	'o' ring 11.91 x 2.62
22	2.1219.038.0/40	1	ring nut m 30 p.1.5
23	2.1589.321.0	1	snoulder 30x47x3
24	2.2770.062.0	2	roller cage 35x40x27
25	0.010.7712.0	1	spacer
26	0.011.9934.0	1	gear Z = 51
27	0.011.9938.0	1	gear Z = 52
28	0.009.3830.3/10	1	gear Z = 32
29	0.010.7701.0	1	hub z=32 z=21
30	0.009.3822.0/20	1	sleeve Z = 32
31	0.013.3588.0	1	gear Z = 47 / Z = 32
32	2.3171.006.4	5	plug Ø 16
35	2.2999.235.0	1	bearing 35 x 80 x 21
61	2.2999.363.0	1	roller cage
62	2.1599.414.0	1	snoulder 40 x 50 x 3.0

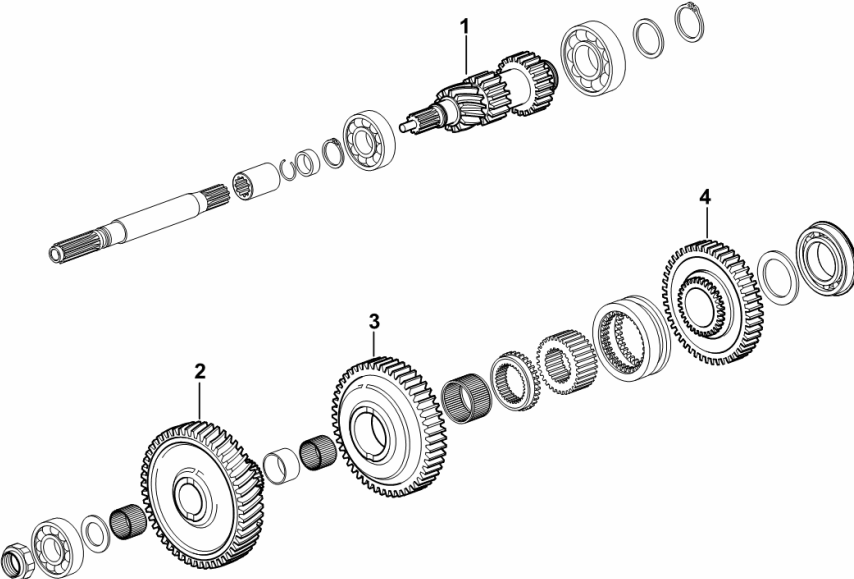


**PTO - 3-SPEED WITH INSERTED END SHAFT 540-750-1000**

Fig.	Code	QTY	Name
------	------	-----	------

**Notes:**  
 - EXPORT U.S.A. [Agroplus 67 -> 5001] -> 5094

1	0.013.3587.0	1	p.t.o.shaft Z = 11 / 14 / 18 / 23
2	0.011.9934.0	1	gear Z = 51
3	0.011.9938.0	1	gear Z = 52
4	0.014.3922.0	1	gear Z = 47 / Z = 32



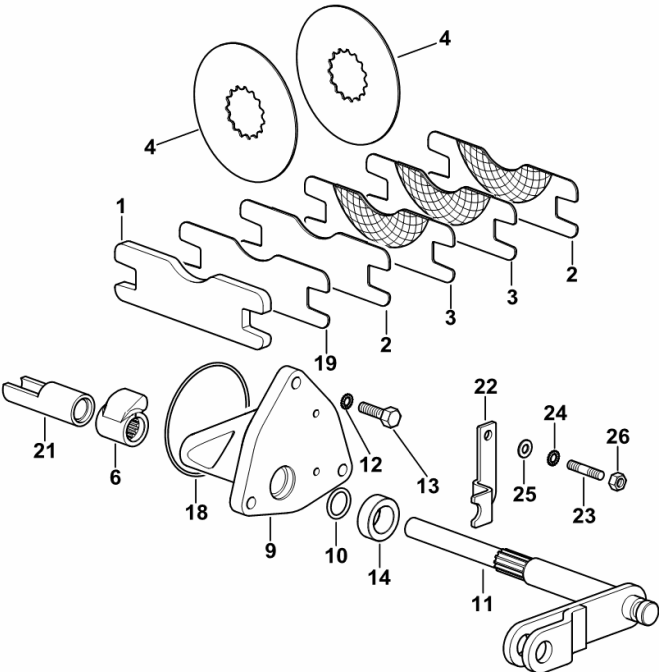
9\_I7336\_01\_0-A-001

Section: D0 - TRANSMISSION  
**HAND BRAKE**

Fig.	Code	QTY	Name
------	------	-----	------

Notes:  
 [Agroplus 67 -> 5001]

1	0.008.5196.0/10	1	plate
2	0.014.4909.2	2	sector
3	0.014.4911.2	2	sector
4	0.008.5191.0	2	brake disc
6	0.014.8511.0/10	1	lever
9	0.008.4978.0/60	1	cover
10	2.1530.065.0	1	'o' ring 25x3.53
11	0.010.0261.2/10	1	h/brake lever
12	2.1475.203.7	3	washer 10.5
13	2.0113.311.7	3	screw m 10 p.1.5 x 30
14	2.1549.203.2/10	1	spacer 25.5x30x40x18.2
18	2.1530.501.0	1	'o' ring 101.27x2.62
19	0.009.9648.0	1	sector
21	0.010.0266.0/20	1	spacer
22	0.010.0264.0	1	small plate
23	2.0422.203.7	2	stud bolt m 8 p.1.25 x 20
24	2.1470.004.2	2	washer 8
25	2.1310.004.3	2	washer 8.4x17
26	2.1011.105.2	2	nut m 8 p.1.25

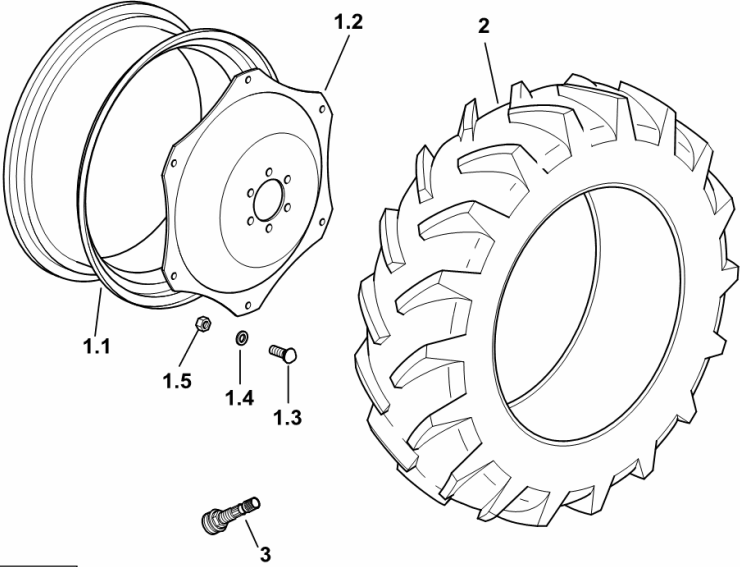


Section: S0 - WHEELS  
**WHEELS 360/70R20"a8**

Fig.	Code	QTY	Name
------	------	-----	------

Notes:  
[Agroplus 67 -> 5001]

1.1	0.012.2829.3	1	rim W 11x20" C/ST
1.2	0.010.4301.0	1	rim center flange
1.3	2.0099.005.6	6	screw m 16 p.1.5 x 38
1.4	2.1499.019.6	6	washer 16.3 x 31.5
1.5	2.1019.059.6	6	nut m 16 p.1.5 x 16
2	2.4811.095.0	2	tyre 360/70R20"a8
3	0.012.6364.0	2	valve



9\_59255\_21\_0-A-001

CLICK HERE TO **DOWNLOAD** THE COMPLETE MANUAL

- Thank you very much for reading the preview of the manual.
- You can download the complete manual from: [www.heydownloads.com](http://www.heydownloads.com) by clicking the link below



- Please note: If there is no response to CLICKING the link, please download this PDF first and then click on it.

CLICK HERE TO **DOWNLOAD** THE COMPLETE MANUAL