

AGROPLUS 320 -> 1001

V0 - BALLAST, TOWING HITCHES

FRONT HITCHES

FRONT TOWING HITCH.....	V0.01.0 (1)
HOOK PLATE.....	V0.01.1 (1)

REAR HITCHES

SUPPORTS.....	V0.02.2 (1)
PIN FOR REAR TOW HOOK.....	V0.02.3 (1)
REAR TOWING HITCH.....	V0.02.4 (1)
REAR TOWING HITCH BRACKET.....	V0.02.5 (1)
REAR SWINGING TOWING-HITCH.....	V0.02.6 (1)
TOWING FRAME - WITH PITON-FIX.....	V0.02.7 (1)
REAR OSCILLATING HITCH.....	V0.02.8 (1)
REAR TOWING HITCH CAT. " C ".....	V0.02.9 (1)
REAR TOWING HITCH cat. 2 - CEE.....	V0.02.10 (1)
REAR TOWING HITCH CAT. " D2 ".....	V0.02.11 (1)
DRAWBAR COUPLING CEE.....	V0.02.12 (1)
DRAWBAR COUPLING AUTOM. Ø 31.....	V0.02.13 (1)
DRAWBAR COUPLING AUTOM. Ø 38.....	V0.02.14 (1)
PICK-UP-HITCH - MECHANICAL.....	V0.02.15 (2)
PICK-UP-HITCH - MECHANICAL.....	V0.02.15 (3)
PICK-UP-HITCH.....	0.014.8659.4/60.A

FRONT BALLAST WEIGHTS

FRONT WEIGHT CARRIER.....	V0.03.0 (1)
FRONT BALLAST Kg 80.....	V0.03.1 (1)
FRONT BALLAST Kg 160.....	V0.03.2 (1)
FRONT BALLAST 320 Kg.....	V0.03.3 (1)
BALLAST LOCK BAR mm 30x780.....	V0.03.4 (1)
FRONT BALLAST KG. 250.....	V0.03.5 (1)

CLICK HERE TO **DOWNLOAD** THE COMPLETE MANUAL

- Thank you very much for reading the preview of the manual.
- You can download the complete manual from: www.heydownloads.com by clicking the link below



- Please note: If there is no response to CLICKING the link, please download this PDF first and then click on it.

CLICK HERE TO **DOWNLOAD** THE COMPLETE MANUAL

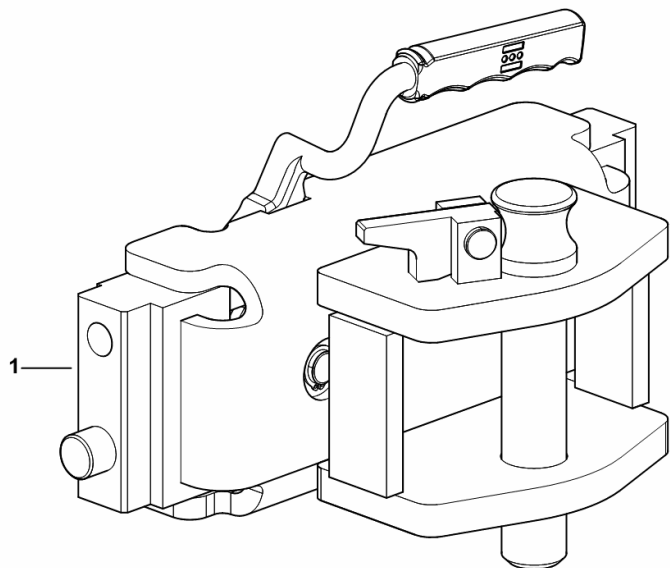
REAR TOWING HITCH CAT. " C "

Fig.	Code	QTY	Name
------	------	-----	------

Notes:

[AGROPLUS 320 -> ZKDR4502W0TD01001]

1	0.016.5188.3	1	tow hook CBM CUNA - CAT. C
---	--------------	---	----------------------------



9_R3031_70_0-A-001

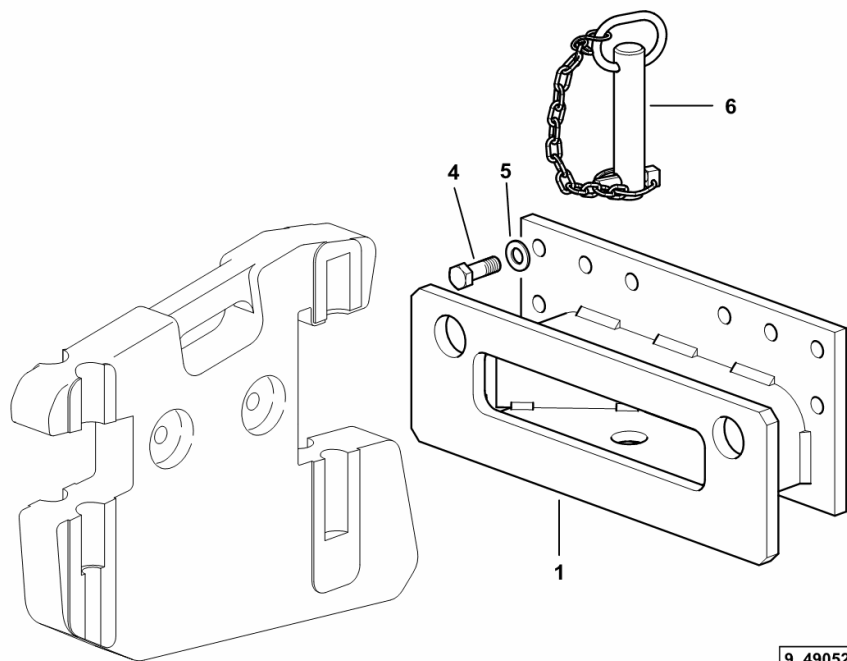
FRONT WEIGHT CARRIER

Fig.	Code	QTY	Name
------	------	-----	------

Notes:

[AGROPLUS 320 -> ZKDR4502W0TD01001]

1	0.011.7376.2/20	1	support
4	2.0112.515.2	6	screw m 14 p.2 x 40
5	2.1310.009.2	6	flat washer 14
6	0.96309.51.3	1	pin Ø 32



9_49052_45_0-A-001

CONDENSER.....	G0.09.2 (1)
AIR CONDITIONING SYSTEM PIPES.....	G0.09.3 (1)
HEATING SYSTEM.....	G0.09.4 (1)
HEATING AND AIR CONDITIONING SYSTEM.....	G0.09.5 (1)
HEATING SYSTEM.....	G0.09.6 (1)
HEATING SYSTEM.....	G0.09.6 (2)
MANUAL CLIMATE CONTROL SYSTEM.....	G0.09.7 (1)
MANUAL CLIMATE CONTROL SYSTEM.....	G0.09.7 (2)
MANUAL CLIMATE CONTROL SYSTEM.....	G0.09.8 (1)
VENTILATION - AIR CONDITIONING - HEATING.....	G0.09.9 (1)
VENTILATION - AIR CONDITIONING - HEATING.....	G0.09.10 (1)
VENTILATION - AIR CONDITIONING - HEATING.....	G0.09.10 (2)
CONDENSER - AIR CONDITIONING UNIT.....	G0.09.11 (1)
CONDENSER - AIR CONDITIONING UNIT.....	G0.09.12 (1)
HEATING SYSTEM.....	G0.09.13 (1)
HEATING AND AIR CONDITIONING SYSTEM.....	G0.09.14 (1)
AIR CONDITIONING UNIT - LINES - WITH MANUAL AIR CONDITIONING.....	G0.09.15 (1)
AIR CONDITIONING UNIT - LINES - WITH MANUAL AIR CONDITIONING.....	G0.09.16 (1)
HEATING SYSTEM.....	G0.09.17 (1)
HEATING AND AIR CONDITIONING SYSTEM.....	G0.09.18 (1)
COMPRESSOR PIPES.....	G0.09.19 (1)
COMPRESSOR.....	G0.09.21 (1)
COMPRESSOR SUPPORTS.....	G0.09.22 (1)
COMPRESSOR-PARTS.....	0.007.7197.4.A
HEATER PARTS.....	0.010.8108.4/30.A
AIR-CONDITIONING HEATING PARTS.....	0.010.9215.4/30.A
CONDENSER.....	0.014.8525.4.A
CLIMATE CONTROL.....	0.015.5549.4/10.A
HEATING CONTROL.....	0.015.5594.4/10.A
MECHANICAL CLUTCH CONTROLS	
CLUTCH CONTROL.....	G0.10.1 (1)
MECHANICAL BRAKE CONTROLS	
BRAKE FLUID RESERVOIR.....	G0.11.0 (1)
BRAKE CONTROLS.....	G0.11.2 (1)
HAND BRAKE.....	G0.11.3 (1)
BRACKET FOR HANDBRAKE.....	G0.11.4 (1)
TRAILER HANDBRAKE CONTROL CABLE - ITALY.....	G0.11.5 (1)
HANDBRAKE BRACKET FOR TRAILER.....	G0.11.6 (1)
MECHANICAL - ELECTRONIC THROTTLE CONTROLS	
ELECTRONIC ACCELERATOR CONTROL.....	G0.12.0 (1)
ELECTRONIC ACCELERATOR CONTROL.....	G0.12.1 (1)
STEERING CONTROLS	
STEERING WHEEL CAP.....	G0.13.0 (1)
STEERING WHEEL.....	G0.13.4 (1)

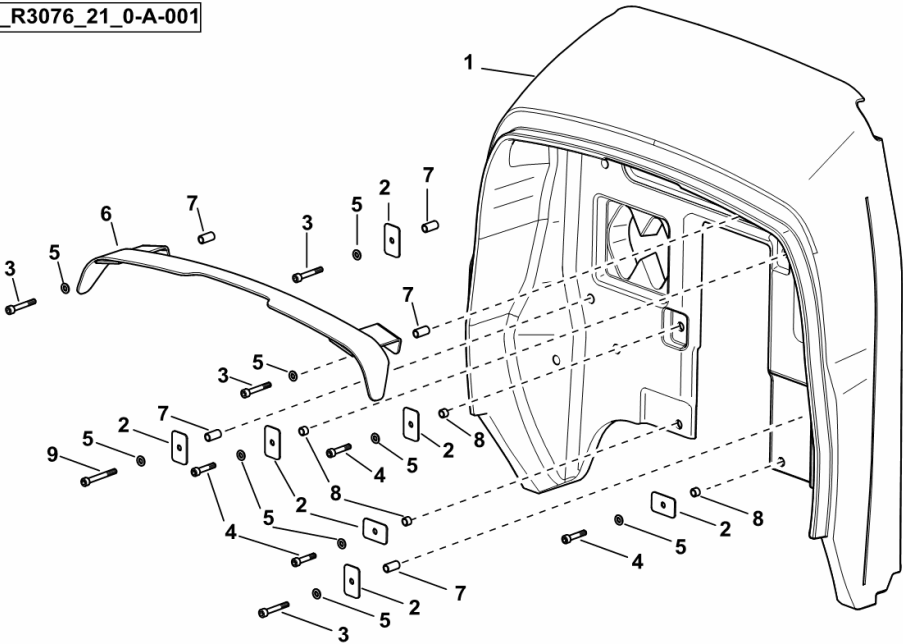
CONNECTION FRAME

Fig.	Code	QTY	Name
------	------	-----	------

Notes:
 - FOR MODELS WITH PLATFORM [AGROPLUS 320 -> ZKDR4502W0TD01001]

1	0.016.8343.2/10	1	frame
2	2.1369.002.2	7	small plate 25x40x2
3	2.0312.114.2	4	screw m 6 p.1x40
4	2.0312.110.2	4	screw m 6 p.1x30
5	2.1310.002.2	9	washer 6.6, d125
6	0.015.3576.2	1	bracket
7	2.1549.603.2	5	spacer 10x7x19
8	2.1549.598.2	4	spacer 10x7x6.5
9	2.0312.116.2	1	screw m 6 p.1 x 50

9_R3076_21_0-A-001

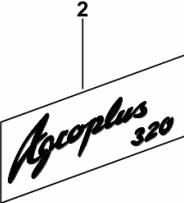
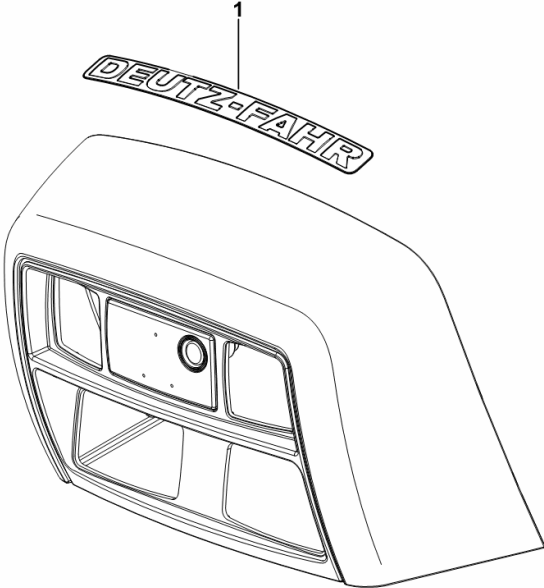


MODEL PLATE

Fig.	Code	QTY	Name
------	------	-----	------

Notes:
[AGROPLUS 320 -> ZKDR4502W0TD01001]

1	0.014.9384.2	1	plate DEUTZ-FAHR
2	0.016.8540.0	2	plate Agropius 320



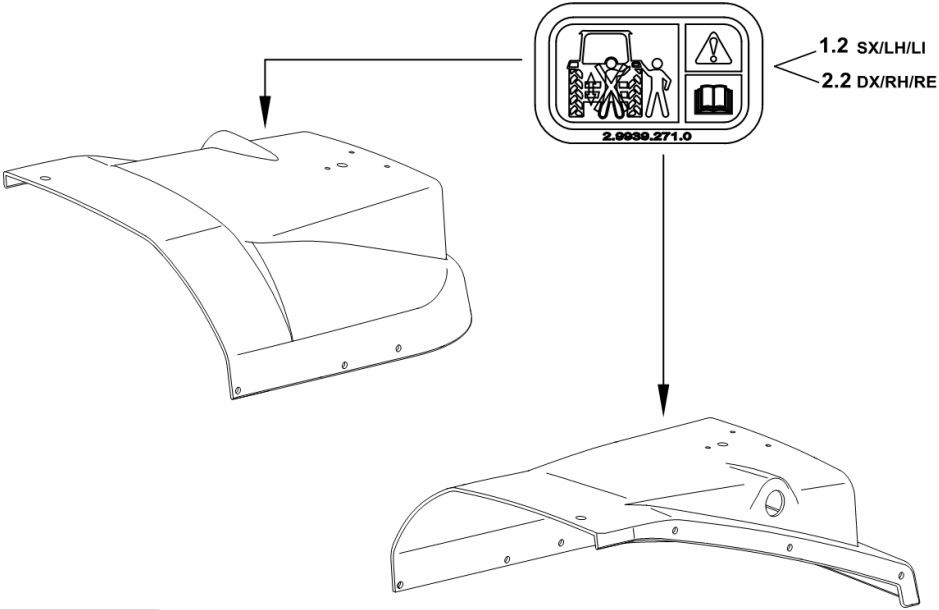
9_R4572_05_0-A-001

REAR LIFT MOVEMENT WARNING LABEL

Fig.	Code	QTY	Name
------	------	-----	------

Notes:
 - EXPORT U.S.A. [AGROPLUS 320 -> ZKDR4502W0TD01001]

1.2	2.9939.271.0	1	plate
2.2	2.9939.271.0	1	plate



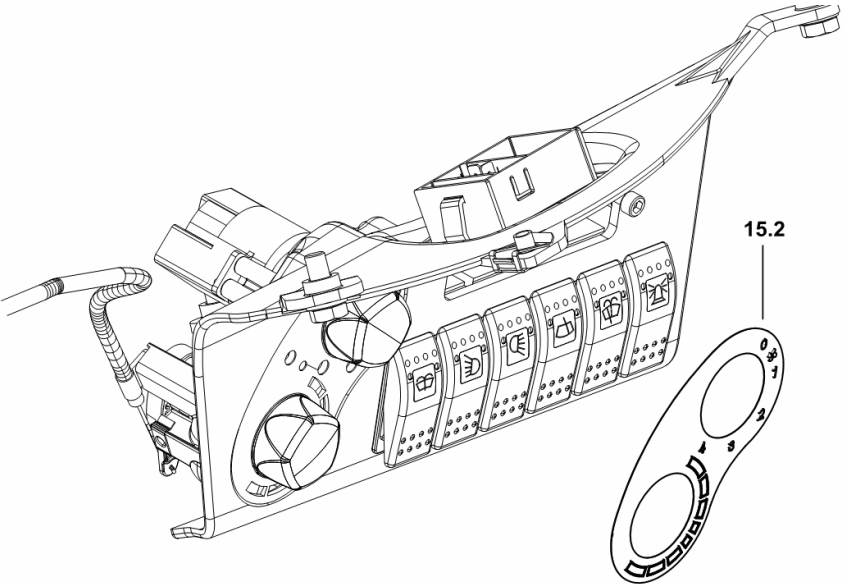
9_R3076_06_0-B-001

HEATING CONTROL IDENTIFICATION PLATE

Fig.	Code	QTY	Name
------	------	-----	------

Notes:
 HIGHT VISIBILITY - FOR TRACTORS WITH AIR HEATING [AGROPLUS 320 -> ZKDR4502W0TD01001]

15.2	0.015.4741.0	1	plate
------	--------------	---	-------



9_J1586_10_0-B-001

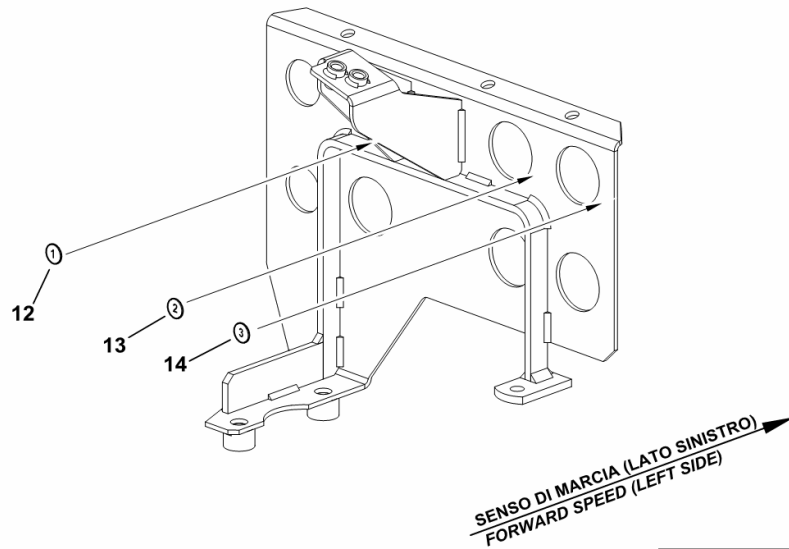
IDENTIFICATION PLATES FOR REAR CONNECTORS

Fig.	Code	QTY	Name
------	------	-----	------

Notes:

- FOR 6-WAY DISTRIBUTOR [AGROPLUS 320 -> ZKDR4502W0TD01001]

12	2.9929.412.0	1	plate 1 - YELLOW COLOUR
13	2.9929.413.0	1	plate 2 - YELLOW COLOUR
14	2.9929.414.0	1	plate 3 - YELLOW COLOUR



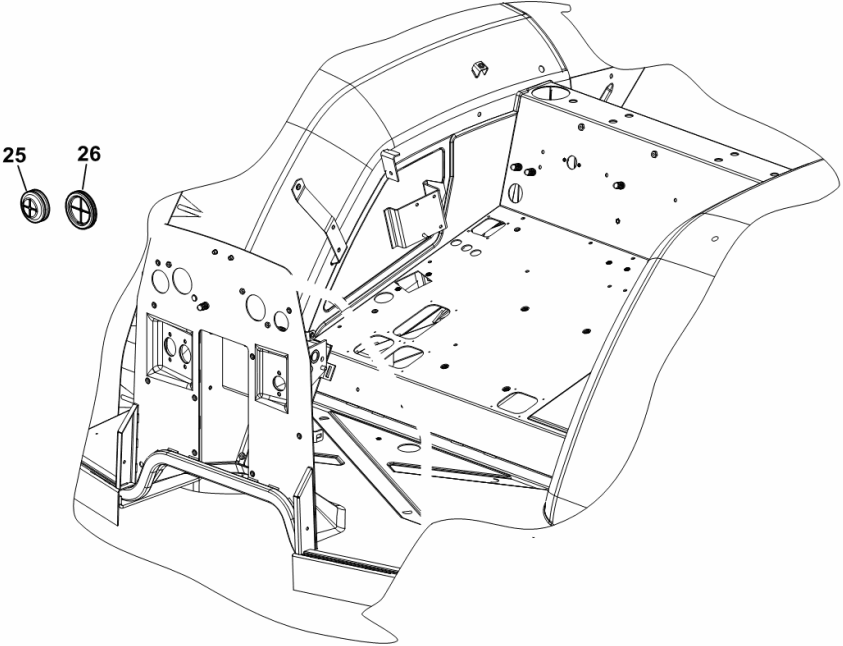
9_R4288_26_0-B-001

CABLE GROMMET

Fig.	Code	QTY	Name
------	------	-----	------

Notes:
- EXPORT U.S.A. [AGROPLUS 320 -> ZKDR4502W0TD01001]

25	2.6569.026.0	1	grommet 42.5x52x19
26	2.6569.080.0	1	grommet 52x62x10



9_R4284_04_0-F-001

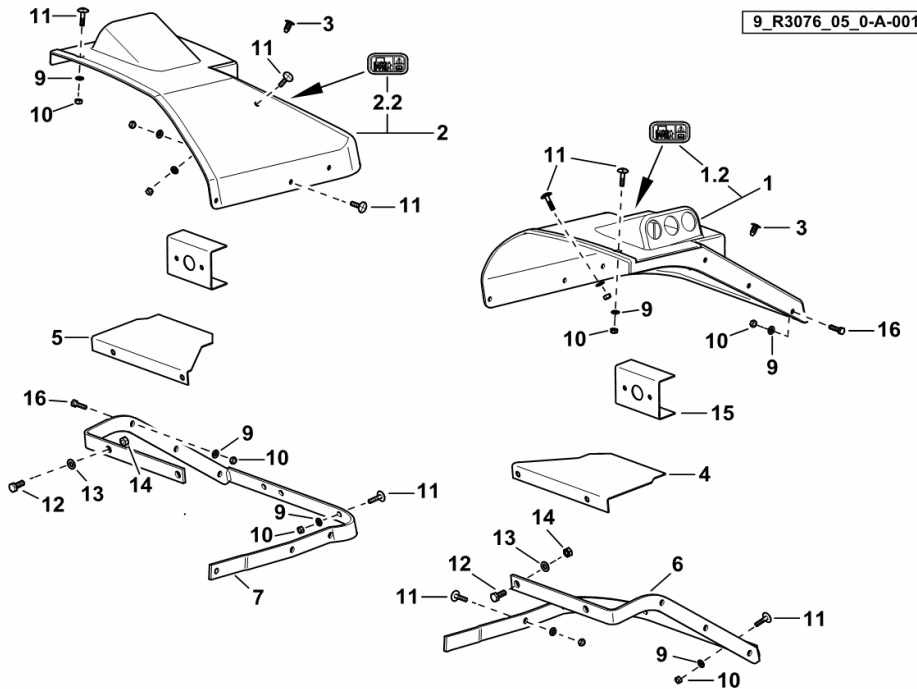
FENDERS

Fig.	Code	QTY	Name
------	------	-----	------

Notes:

[AGROPLUS 320 -> ZKDR4502W0TD01001]

1	0.015.6969.4	1	splash-guards sx/lh/li
1.2	2.9939.271.0	1	plate
2	0.015.6968.4	1	splash-guards dx/rh/re
2.2	2.9939.271.0	1	plate
3	2.1899.084.0	8	button 8 x 19
4	0.015.3544.0	1	shield sx/lh/li
5	0.011.7041.0	1	shield dx/rh/re
6	0.007.5612.2/20	1	support sx/lh/li
7	0.007.5611.2/20	1	support dx/rh/re
9	2.1310.002.2	20	washer 6.6, d125
10	2.1011.103.2	18	nut m 6 p.1
11	2.0099.014.0/20	14	screw m 6 x 25
12	2.0112.207.2	4	screw m 8 p 1.25 x 20
13	2.1310.004.2	4	flat washer 8.5
14	2.1011.105.2	4	nut m 8 p.1.25
15	0.007.5813.0/10	2	support
16	2.0112.009.2	6	screw m 6 p.1 x 25

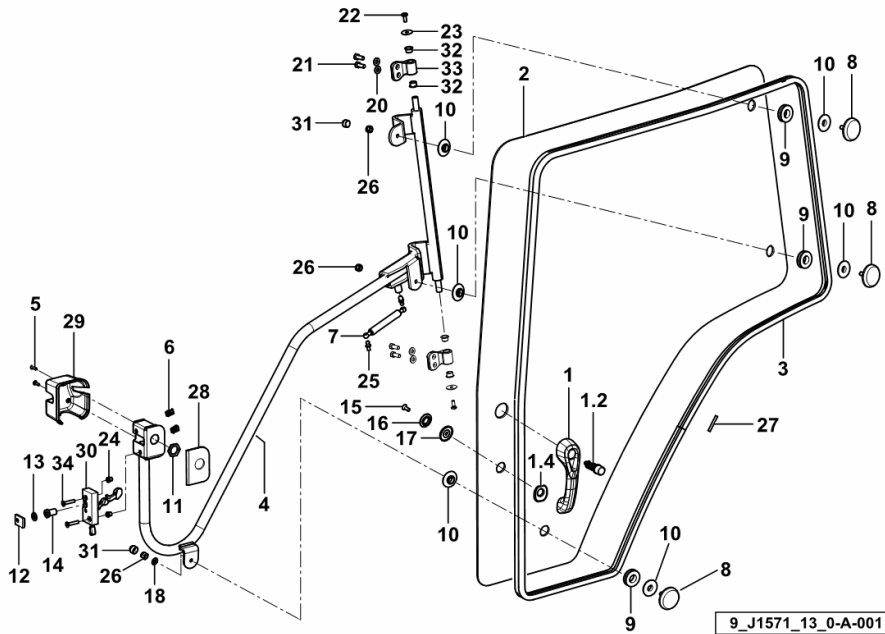


CAB DOOR SX/LH/LI

Fig.	Code	QTY	Name
------	------	-----	------

Notes:

[AGROPLUS 320 -> ZKDR4502W0TD01001]



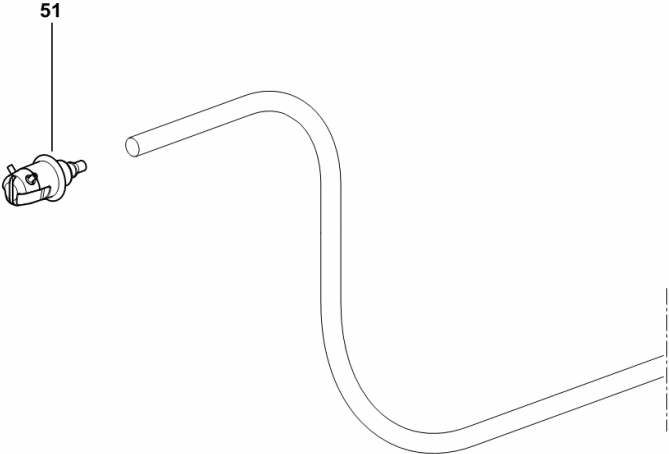
1	0.015.5535.4/20	1	handle
1.2	0.012.8679.0	1	push-button
1.4	0.013.1333.0/10	1	gasket
2	0.015.5691.0/40	1	glass sx/lh/li
3	0.015.4666.0	4.6	gasket
4	0.015.5682.3/30	1	handle sx/lh/li
5	2.0342.205.3	2	screw m 6 p.1 x 20
6	2.6999.064.6	2	special nut m 6
7	0.009.7738.4/10	1	shoch.absorber
8	0.012.6601.2	3	plug
9	2.6569.073.0	3	rubber plug
10	0.016.6279.0	6	washer
11	04416537	1	nut m 28 x 1
12	0.015.5537.0/10	1	small plate
13	2.1310.007.2	1	flat washer 13.5
14	0.012.8716.0	1	pin
15	2.0342.305.3	1	screw m 8 p 1.25 x 20
16	0.012.6178.0	1	gasket
17	0.012.6177.0	1	washer
18	2.1310.006.2	1	flat washer 10.5
20	2.1599.560.2	4	washer 10.5x22x3
21	2.0112.309.2	4	screw m 10 p.1.5 x 25
22	2.0330.507.2	2	screw m 8 p.1.25 x 20
23	2.1599.245.0	2	snoulder 8.5 x 32 x 2.0
24	0.012.9034.0	2	insert m 8
25	04399070	2	ball joint
26	2.1120.006.2	3	nut m 10 p.1.5
27	04418372	0.05	sealing section
28	0.015.6427.0	1	gasket
29	0.015.5692.0/30	1	cover sx/lh/li
30	0.015.6609.4/20	1	lock sx/lh/li
31	0.166.7868.0	2	cap
32	2.2841.071.0	4	bushing 16x18x12
33	0.015.5340.0	2	support
34	2.0342.310.3	2	screw m 8 p.1.25 x 40

PISTON COOL.NOZZLE

Fig.	Code	QTY	Name
------	------	-----	------

Notes:
[AGROPLUS 320 -> ZKDR4502W0TD01001]

51	0.013.9974.4	1	cooling nozze
----	--------------	---	---------------



9_L1671_22_0-B-001

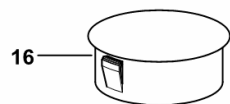
PLUG FOR VERSION WITHOUT CIGAR LIGHTER

Fig.	Code	QTY	Name
------	------	-----	------

Notes:

- FOR TYPES WITH FIXED SAFETY ROLL BAR [AGROPLUS 320 -> ZKDR4502W0TD01001]

16	0.011.6915.0	1	plug 27.8-28.6/30.9
----	--------------	---	---------------------



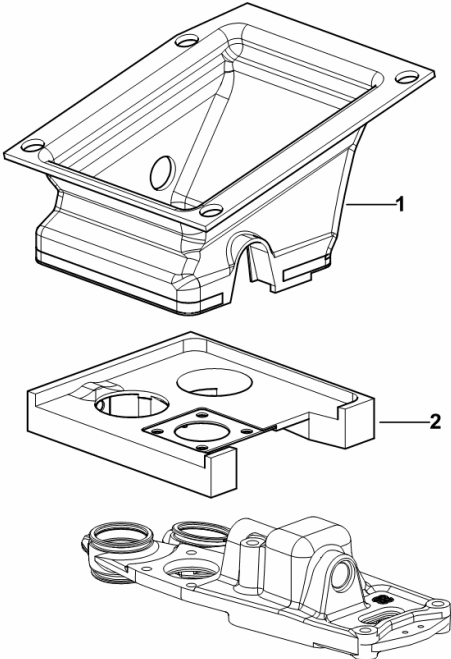
9_H1284_08_0-B-001

SOUNDPROOFING FOR GEAR LEVERS

Fig.	Code	QTY	Name
------	------	-----	------

Notes:
- FOR MODELS WITH CAB [AGROPLUS 320 -> ZKDR4502W0TD01001]

1	0.014.2982.2	1	sound deadening
2	0.014.2466.3	1	sound deadening



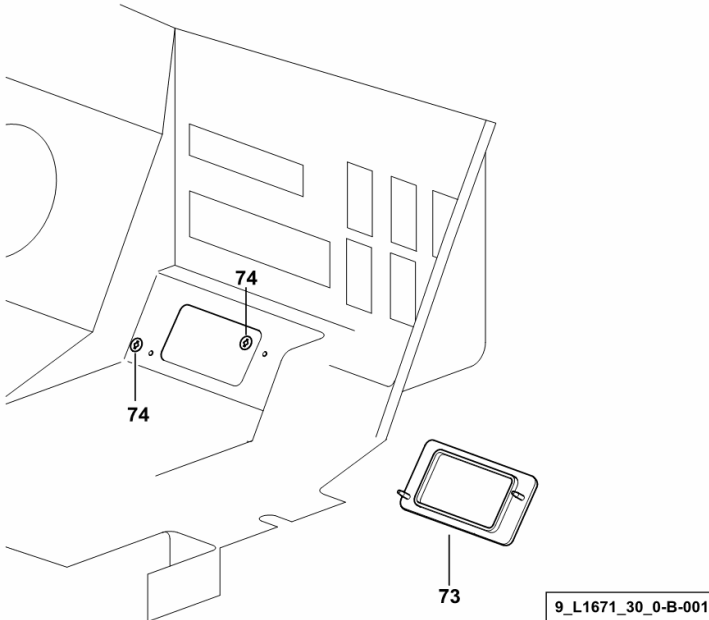
9_F0271_22_0-A-001

COVER

Fig.	Code	QTY	Name
------	------	-----	------

Notes:
[AGROPLUS 320 -> ZKDR4502W0TD01001]

73	0.014.3112.0	1	cover
74	2.6999.049.0	2	small spring

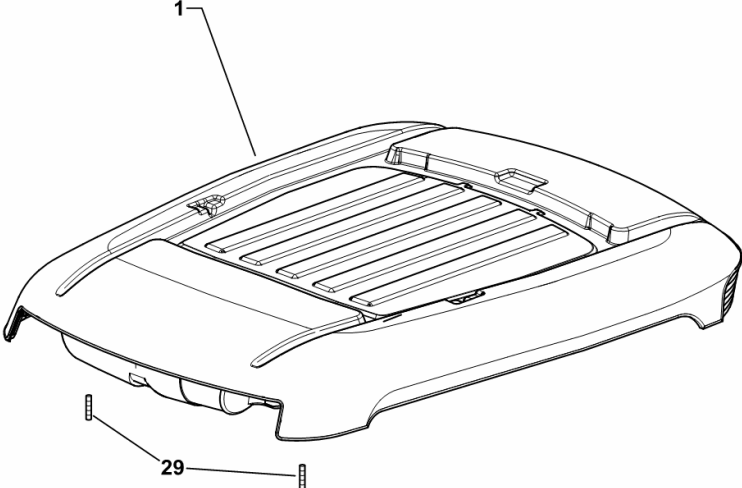


DRIVER'S CAB ROOF

Fig.	Code	QTY	Name
------	------	-----	------

Notes:
- FOR TYPES WITH HEATING AND AIR CONDITIONING [AGROPLUS 320 -> ZKDR4502W0TD01001] 1043 <-

1	0.012.9268.2/80	1	roof
29	2.0422.203.7	2	stud bolt m 8 p.1.25 x 20



9_L1671_65_0-A-001

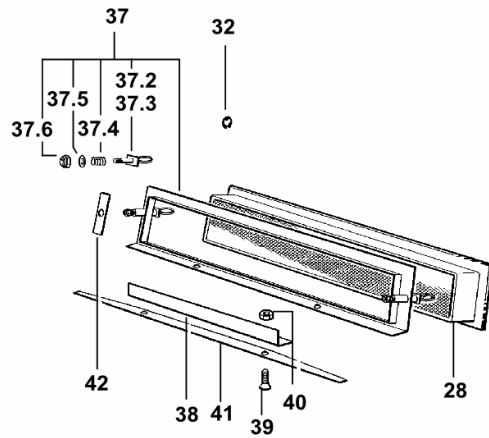
SPIN-ON FILTER

Fig.	Code	QTY	Name
------	------	-----	------

Notes:

- FOR TYPES WITH HEATING AND AIR CONDITIONING [AGROPLUS 320 -> ZKDR4502W0TD01001] 1043 <-

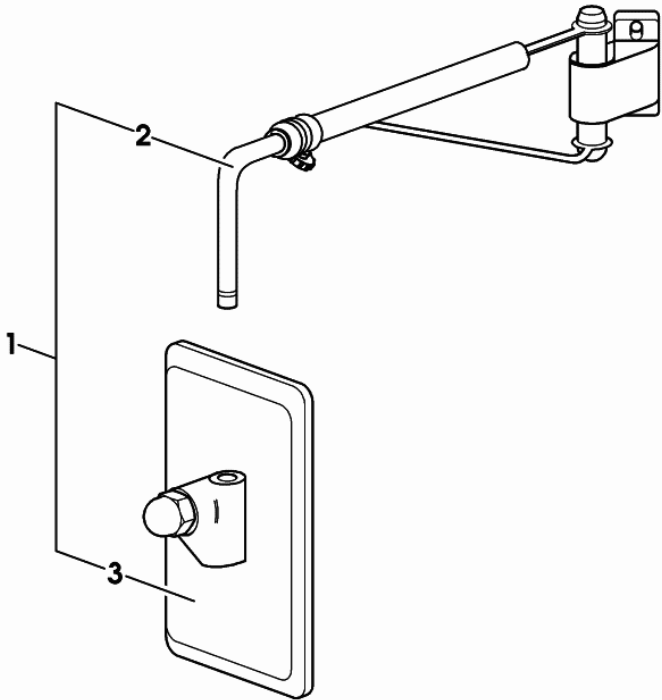
28	0.009.9424.2/10	1	air filter element
32	2.1430.005.2	4	circlip
37	0.010.4137.4/10	1	chassis frame
37.2	0.010.4059.2/10	1	latch sx/lh/li
37.3	0.010.4058.2/10	1	latch dx/rh/re
37.4	2.4019.647.2	2	spring
37.5	2.1310.004.2	2	flat washer 8.5
37.6	2.1121.005.2	2	nut m 8 p.1.25
38	0.010.1952.0/10	2	angular
39	2.0342.007.6	4	screw m 4 p.0.7 x 30
40	2.1120.001.2	4	selflock nut m 4 p.0.7
41	0.010.4152.0	2	gasket
42	0.010.4153.0	2	gasket



9_L1671_65_0-B-001

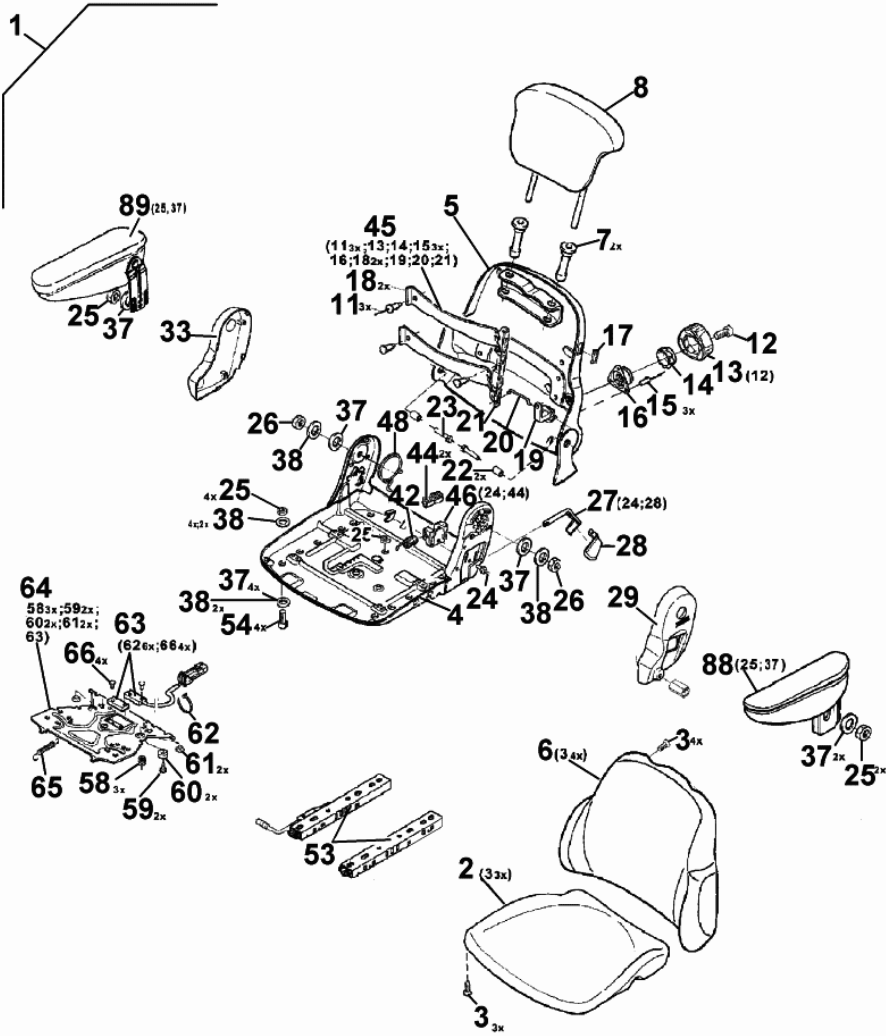
REARVIEW MIRROR

Fig.	Code	QTY	Name
1	0.010.1605.4/40	1	rear view mirror dx/rh/re
2	0.010.3097.0	1	rod
3	0.900.0945.5	1	knob
4	0.9233.183.3	1	rear view mirror



0_010_1605_4_40

Section: G0 - BODYWORK - CAB
SEAT-COMPONENTS



0_014_3062_4_20_A

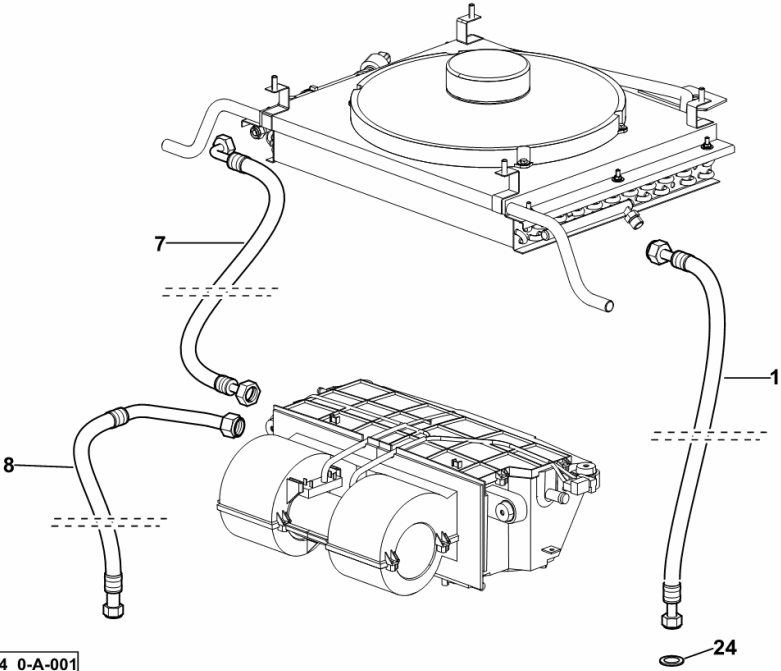
Fig.	Code	QTY	Name
1	0.000.0000.1	0	not serviceable
2	0.900.0370.4	1	cushion
3	0.010.3500.2	7	screw m 5
4	0.010.3544.0	1	chassis frame
5	0.900.0370.6	1	chassis frame
6	0.900.0370.5	1	backrest
7	0.010.2950.2	2	bushing
8	0.010.3905.0	1	embroiderhead
11	0.010.3510.0	3	rivet
12	0.010.2951.2	1	screw m 6
13	0.010.2952.0	1	knob
14	0.010.2952.1	1	bushing
15	0.900.0370.7	3	rivet
16	0.010.2952.2	1	support
17	0.010.3552.2	1	small cover
18	0.010.2945.2	2	plate
19	0.010.2953.0	1	small plate
20	0.010.2945.1	1	rod
21	0.010.2946.0	1	plate
22	0.010.2953.1	2	bushing
23	0.010.2948.0	2	screw m 8 x 40
24	0.900.0298.8	1	rivet
25	0.010.2401.0	6	nut m 8
26	0.010.2948.1	2	nut m 8
27	0.900.0298.2	1	lever
28	0.900.0298.3	1	lever
29	0.900.0297.7	1	cover sx/lh/li
33	0.900.0298.4	1	cover dx/rh/re
37	0.010.2945.0	8	washer 8.4
38	0.010.3152.0	9	gasket
42	0.900.0297.9	1	spring
44	0.900.0298.0	1	stop
45	0.010.2951.1	1	support
46	0.900.0298.1	1	accessories
48	0.900.0370.8	1	small spring
53	0.900.0370.9	1	seat guide
54	0.010.2405.0	4	pin m 8 x 16
58	0.010.3553.1	2	spring
59	0.900.0371.0	2	rivet 4.8x10.3
60	02312286	2	shoch.absorber
61	04370999	2	shoch.absorber
62	0.900.0298.5	1	cable
63	0.010.3473.2	1	switch
64	0.010.3553.2	1	plate

Section: G0 - BODYWORK - CAB
AIR CONDITIONING SYSTEM PIPES

Fig.	Code	QTY	Name
------	------	-----	------

Notes:
[AGROPLUS 320 -> ZKDR4502W0TD01001]

1	0.013.4127.3	1	tube mm 1735
7	0.011.1968.3/20	1	tube mm 420
8	0.007.7156.3/30	1	tube
24	2.1310.009.2	1	flat washer 14



9_R3086_24_0-A-001

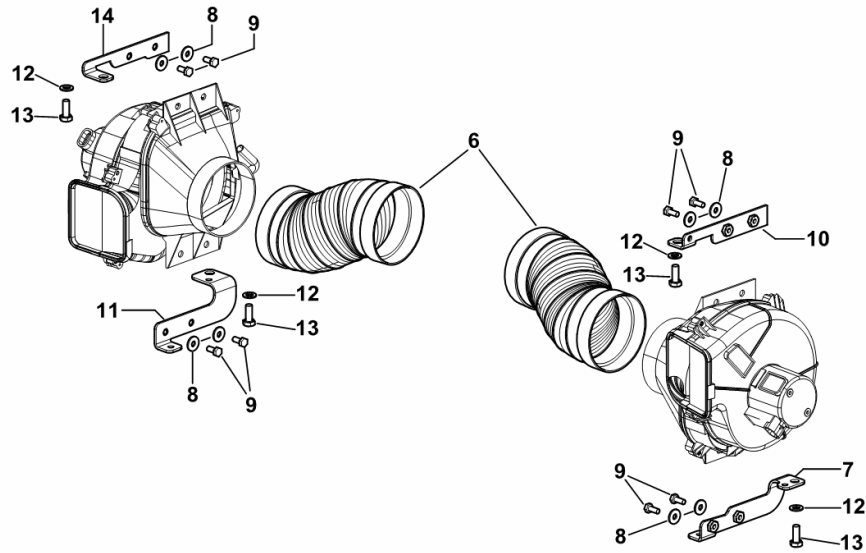
VENTILATION - AIR CONDITIONING - HEATING

Fig.	Code	QTY	Name
------	------	-----	------

Notes:

- FOR "HIGH VISIBILITY" CAB [AGROPLUS 320 -> ZKDR4502W0TD01001] -> 1050

6	0.011.4526.3	2	tube
7	0.015.1866.3	1	bracket sx/lh/li
8	2.1312.003.2	8	washer 6
9	2.0112.004.2	8	screw m 6 p.1 x 14
10	0.015.1865.3	1	bracket sx/lh/li
11	0.015.1867.3	1	bracket dx/rh/re
12	2.1310.004.2	23	flat washer 8.5
13	2.0112.207.2	17	screw m 8 p 1.25 x 20
14	0.015.1868.3	1	bracket dx/rh/re



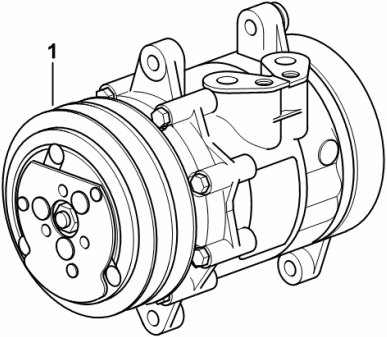
9_J1571_21_0-C-002

COMPRESSOR

Fig.	Code	QTY	Name
------	------	-----	------

Notes:
[AGROPLUS 320 -> ZKDR4502W0TD01001]

1	0.007.7197.4	1	gear compressor R 134a ☞ 0.007.7197.4
---	--------------	---	--



9_70586_23_0-A-001

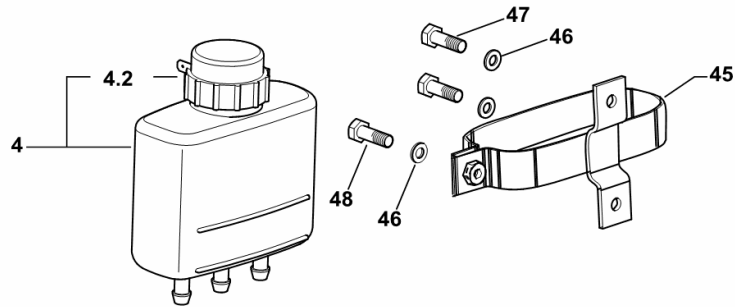
BRAKE FLUID RESERVOIR

Fig.	Code	QTY	Name
------	------	-----	------

Notes:

[AGROPLUS 320 -> ZKDR4502W0TD01001]

4	0.009.1780.4/10	1	tank
4.2	0.257.6654.3/10	1	plug
45	0.270.6656.2	1	clamp
46	2.1310.002.2	3	washer 6.6, d125
47	2.0112.005.2	2	screw m 6 p.1 x 16
48	2.0112.007.2	1	screw m 6 p.1 x 20



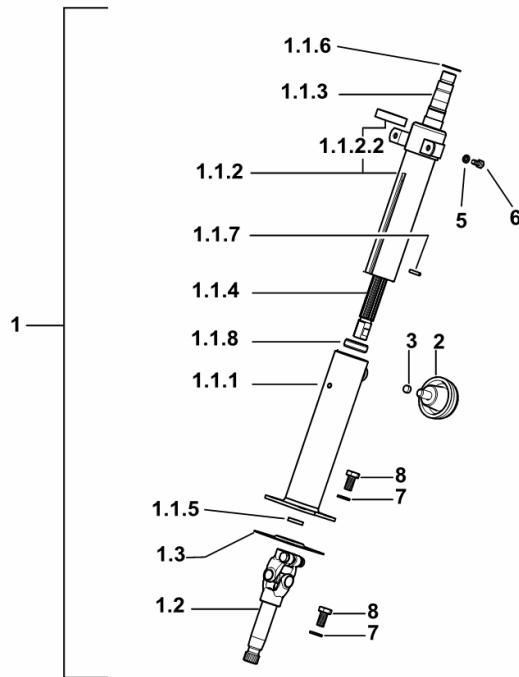
9_R4265_00_0-B-001

STEERING COLUMN

Fig.	Code	QTY	Name
------	------	-----	------

Notes:

[AGROPLUS 320 -> ZKDR4502W0TD01001] 1011 <-



9_H1363_01_0-A-001

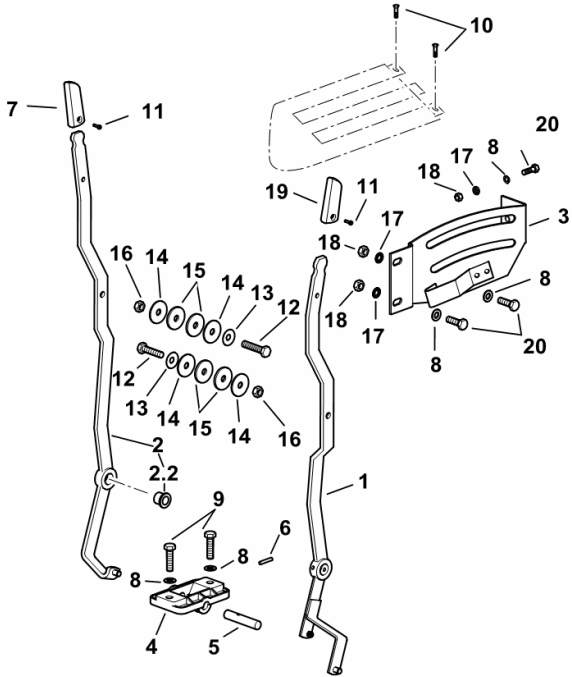
1	0.014.9173.4/20	1	column
1.1.1	0.014.9759.2/10	1	column
1.1.2	0.014.9757.3	1	column
1.1.2.2	2.2021.009.0	1	ball bearing 25 x 47 x 12
1.1.3	0.014.9171.3/10	1	shaft
1.1.4	0.011.0814.0/10	1	shaft
1.1.5	2.1599.566.2	2	thrust plate 16.5 x 34 x 5
1.1.6	2.1410.010.7	1	ring 25
1.1.7	2.1630.410.0	1	roll pin 4 x 20
1.1.8	2.1549.390.0	1	spacer
1.2	0.011.0815.3	1	shaft
1.3	0.011.0937.0	1	cap-washer
2	0.007.6087.2	1	knob
3	2.1579.883.0	1	spacer 10x5
5	2.1499.097.3	2	washer 6, d128
6	2.0119.160.3	2	screw m 6 p.1 x 14
7	2.1470.006.2	8	lock washer 10
8	2.0112.307.2	8	screw m 10 p.1.5 x 20

LIFT CONTROL LEVERS

Fig.	Code	QTY	Name
------	------	-----	------

Notes:
 [AGROPLUS 320 -> ZKDR4502W0TD01001]

1	0.016.8357.3	1	lever
2	0.010.5317.3	1	lever
2.2	2.1559.243.0	1	bushing 12x16x15
3	0.011.7080.3	1	plate
4	0.010.4185.0	1	support
5	2.1699.457.2/10	1	pin 12x61
6	2.1630.451.2	1	pin 4 x 26
7	0.010.5312.0/10	1	knob - GREEN COLOUR
8	2.1310.004.2	5	flat washer 8.5
9	2.0112.211.2	2	screw m 8 p.1.25 x 30
10	2.0322.407.3	2	screw m 6 p.1 x 20
11	2.0322.406.6	2	screw m 6 p.1.0 x 16
12	2.0112.213.2	2	screw m 8 p.1.25 x 35
13	2.4099.053.7	2	spring 8.2 x 23 x 0.7
14	2.1599.245.0	4	snoulder 8.5 x 32 x 2.0
15	0.9030.672.0	4	ring 8.5 x 32 x 3.0
16	2.1019.133.2	2	nut m 8
17	2.1470.004.2	3	washer 8
18	2.1011.105.2	3	nut m 8 p.1.25
19	0.014.9086.0	1	knob - YELLOW COLOUR
20	2.0112.207.2	3	screw m 8 p 1.25 x 20



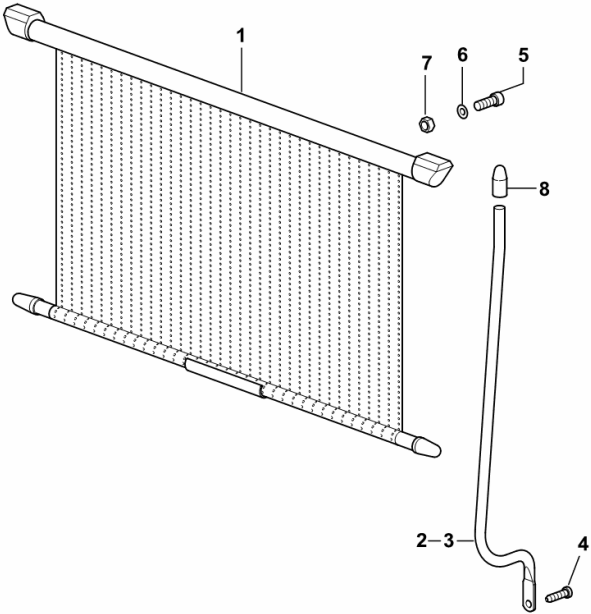
9_R3059_50_0-A-001

SUN BLIND

Fig.	Code	QTY	Name
------	------	-----	------

Notes:
 [AGROPLUS 320 -> ZKDR4502W0TD01001]

1	0.9237.343.4/10	1	roll-up sun-shade
2	0.010.1082.0	1	rod dx/rh/re
3	0.010.1083.0	1	rod sx/lh/li
4	2.0350.454.3	2	screw m 4.2 x 13 -AB-
5	2.0299.004.3	2	screw m 4x22
6	2.1310.028.2	2	flat washer 4
7	2.1011.101.2	2	nut m 4 p.0.7
8	0.010.1367.0	2	cap



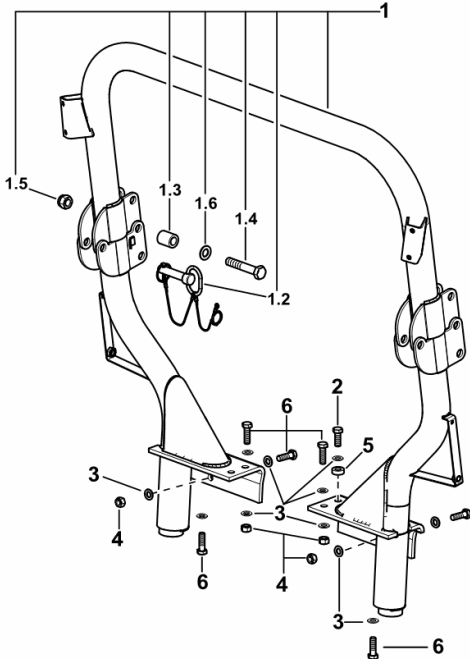
9_64871_27_0-A-001

SAFETY ARCH FOLDING

Fig.	Code	QTY	Name
------	------	-----	------

Notes:
 [AGROPLUS 320 -> ZKDR4502W0TD01001]

1	0.016.7132.4/30	1	safety frame
1.2	0.010.4049.4	2	pin
1.3	2.1549.332.2/10	2	spacer 20.8x35x42.5
1.4	2.0119.216.2	2	screw m 20 p.2.5 x 110
1.5	2.1120.011.2	2	nut m 20 p.2.5
1.6	2.1310.013.2	2	flat washer 21x37
2	2.0112.519.2	1	screw m 14 p.2x50
3	2.1475.005.2	14	washer 14
4	2.1011.408.2	6	nut m 14 p.1.5
5	2.1549.322.2	1	spacer 15x30x10
6	2.0123.517.2	7	screw m 14 p.1.5x45



9_R3078_01_0-A-001

ALTERNATOR AND PULLEY SUPPORTS

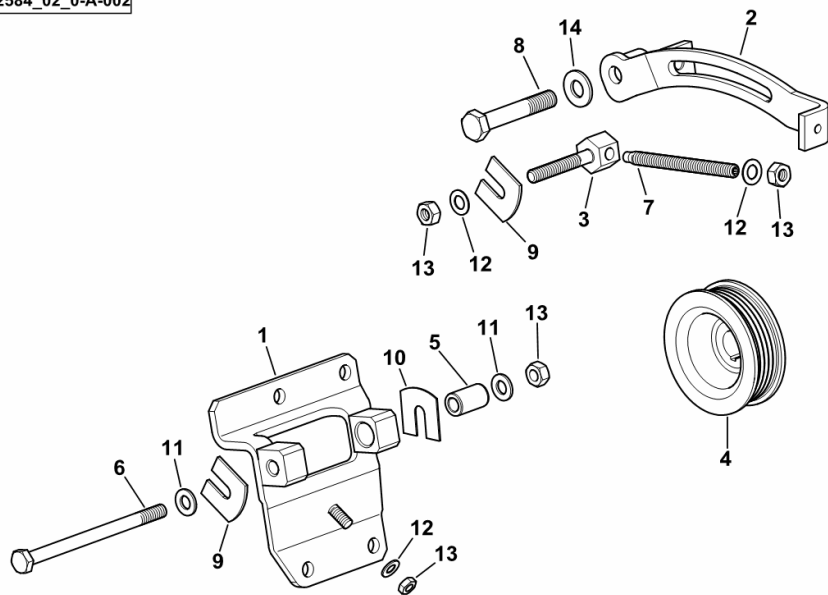
Fig.	Code	QTY	Name
------	------	-----	------

Notes:

- FOR TYPES WITH AIR CONDITIONING [AGROPLUS 320 -> ZKDR4502W0TD01001]

1	0.013.6416.3	1	support
2	0.013.6673.2	1	bracket
3	0.007.7716.0	1	pin
4	0.017.1480.0	1	pulley
5	2.1559.358.2/10	1	bushing 8.1 x 14 x 23
6	2.0113.232.2	1	screw m 8 p.1.25x115
7	2.0399.221.2	1	screw m 8 p.1.25 x 95
8	2.0112.321.2	1	screw m 10 p.1.5 x 60
9	0.009.7982.0	2	shim mm 2.00
10	0.009.7981.0	1	shim mm 1.00
11	2.1310.004.2	3	flat washer 8.5
12	2.1470.004.2	4	washer 8
13	2.1011.105.2	4	nut m 8 p.1.25
14	2.1310.006.2	1	flat washer 10.5

9_P2584_02_0-A-002



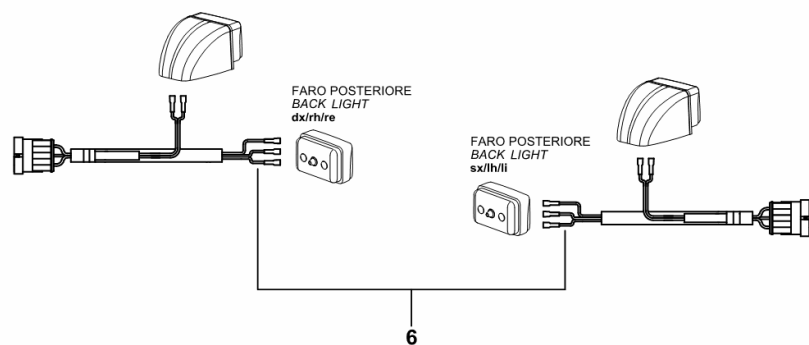
ELECTRICAL SYSTEM FOR REAR LIGHTS

Fig.	Code	QTY	Name
------	------	-----	------

Notes:

- FOR MODELS WITH CAB - EXPORT U.S.A. [AGROPLUS 320 -> ZKDR4502W0TD01001]

6	0.013.4909.4	1	wire
---	--------------	---	------



9_R3084_11_0-C-001

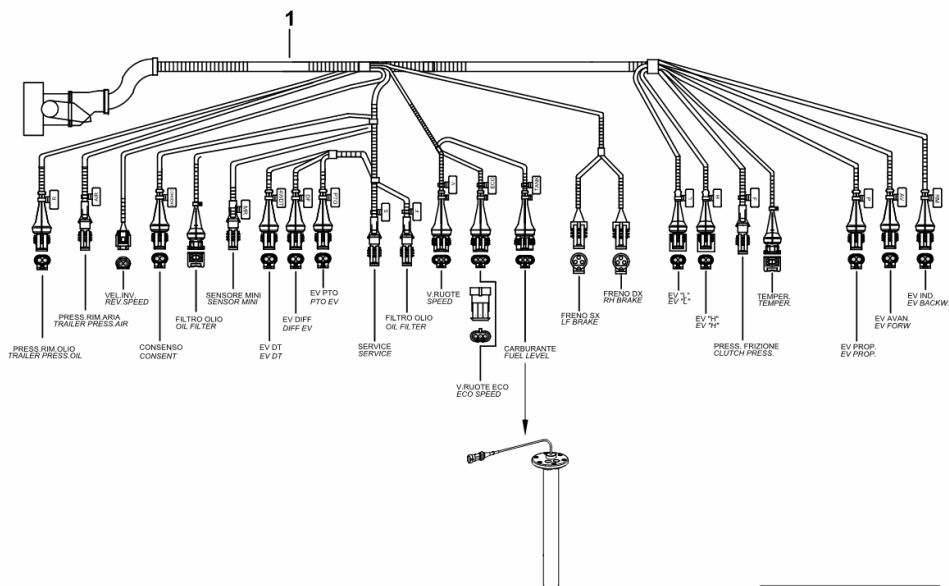
Section: L0 - ELECTRIC AL SYSTEM
ELECTRICAL EQUIPMENT REAR

Fig.	Code	QTY	Name
------	------	-----	------

Notes:

[AGROPLUS 320 -> ZKDR4502W0TD01001]

1	0.016.6301.4/10	1	electrical system
---	-----------------	---	-------------------



9_R4284_02_0-A-001

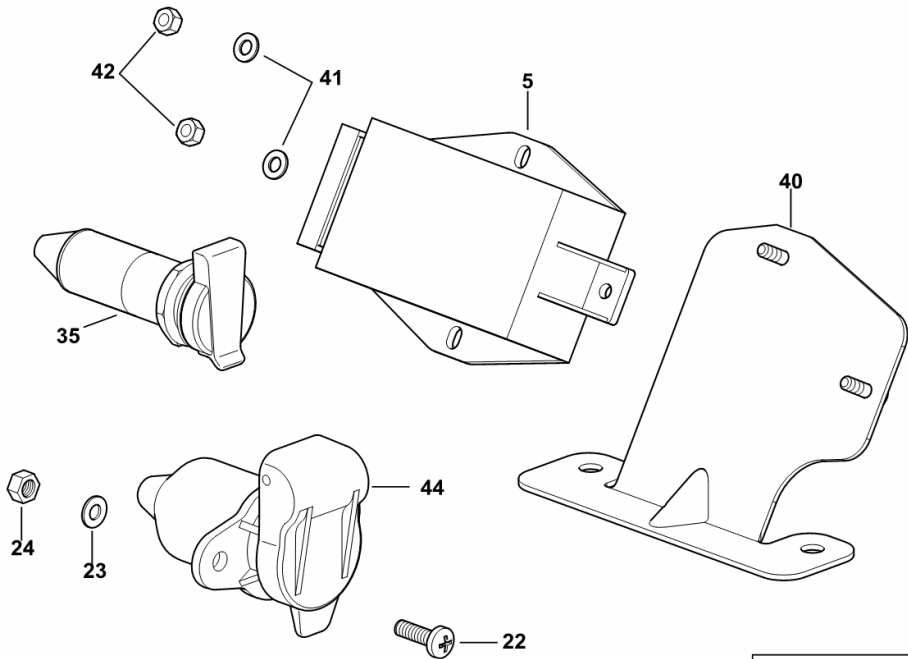
SINGLE POLE SOCKET - DOUBLE POLE SOCKET - LIGHTS FLASHER RELAY

Fig.	Code	QTY	Name
------	------	-----	------

Notes:

- EXPORT U.S.A. [AGROPLUS 320 -> ZKDR4502W0TD01001]

5	2.8639.012.0	1	blinker
22	2.0332.306.2	2	screw m 5x0.8x16
23	2.1310.001.2	2	flat washer 5.3
24	2.1011.102.2	2	nut m 5 p.0.7
35	0.008.1550.0	1	socket
40	0.015.4284.3	1	bracket
41	2.1310.001.2	2	flat washer 5.3
42	2.1011.102.2	2	nut m 5 p.0.7
44	2.6039.020.0	1	socket DIN 9680



9_R4284_04_0-E-001

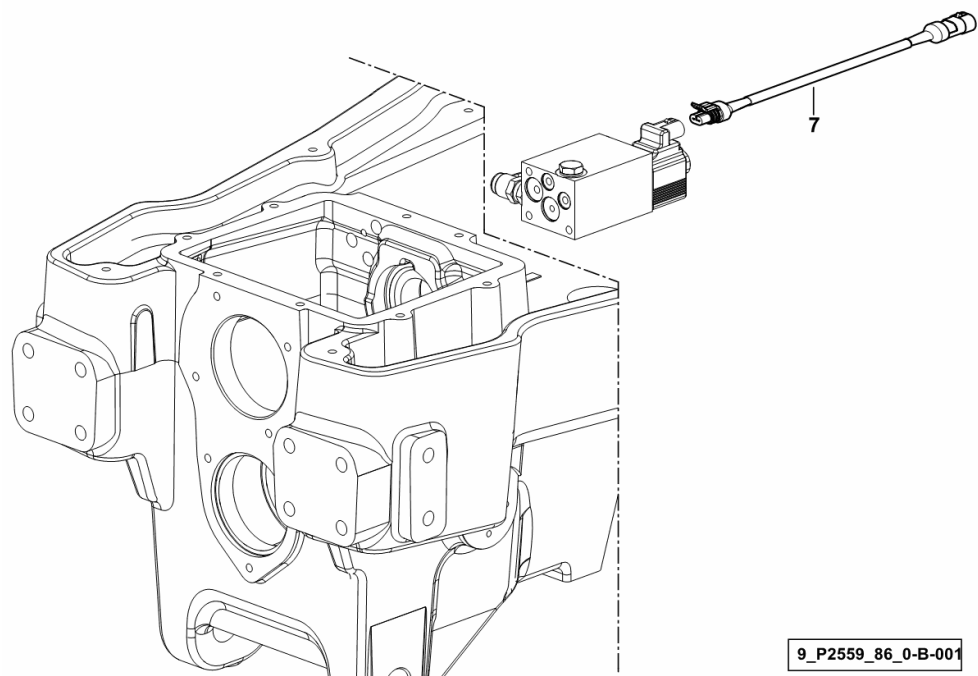
FRONT P.T.O. SOLENOID VALVE ELECTRICAL CABLE

Fig.	Code	QTY	Name
------	------	-----	------

Notes:

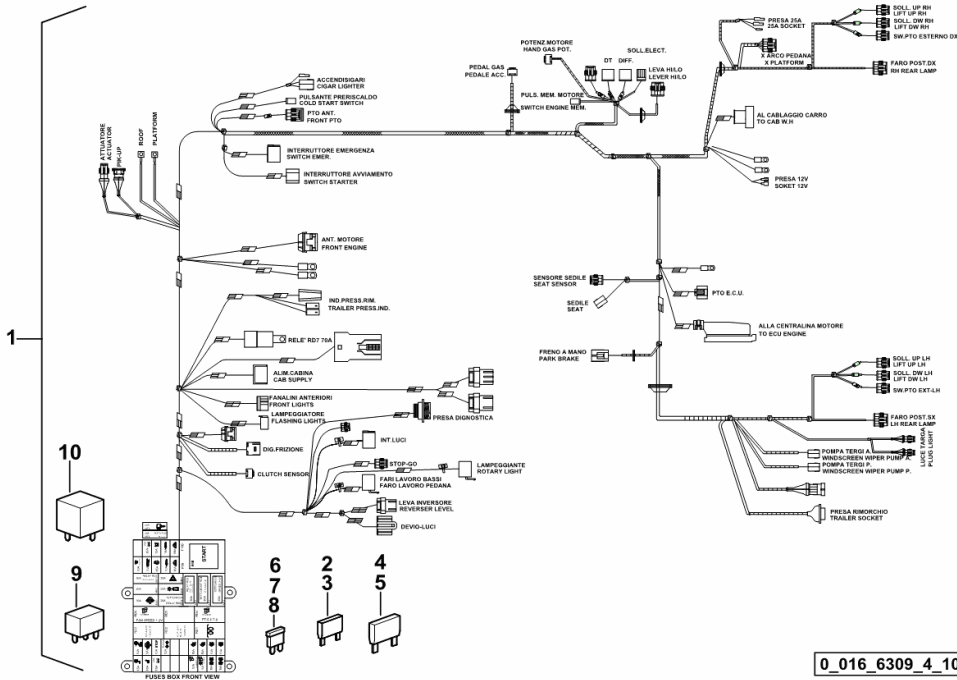
[AGROPLUS 320 -> ZKDR4502W0TD01001]

7	0.007.7899.3	1	wire
---	--------------	---	------



Section: L0 - ELECTRIC AL SYSTEM
CENTRAL WIRING LOOM

Fig.	Code	QTY	Name
1	0.016.6309.4/10	1	electrical system
2	0.010.2088.2	2	fuse 30 A unival
3	0.010.2088.1	4	fuse 20 A unival
4	0.010.2089.1	2	fuse 40 A maxival
5	0.010.3901.1	3	fuse 30 A maxival
6	0.900.1194.4	4	fuse 15 A minival
7	0.900.1194.3	17	fuse 10 A minival
8	0.900.1194.2	2	fuse 5 A minival
9	0.900.0525.5	5	relay 12 V 30A
10	0.900.1194.6	2	relay 12 V 70A



0_016_6309_4_10

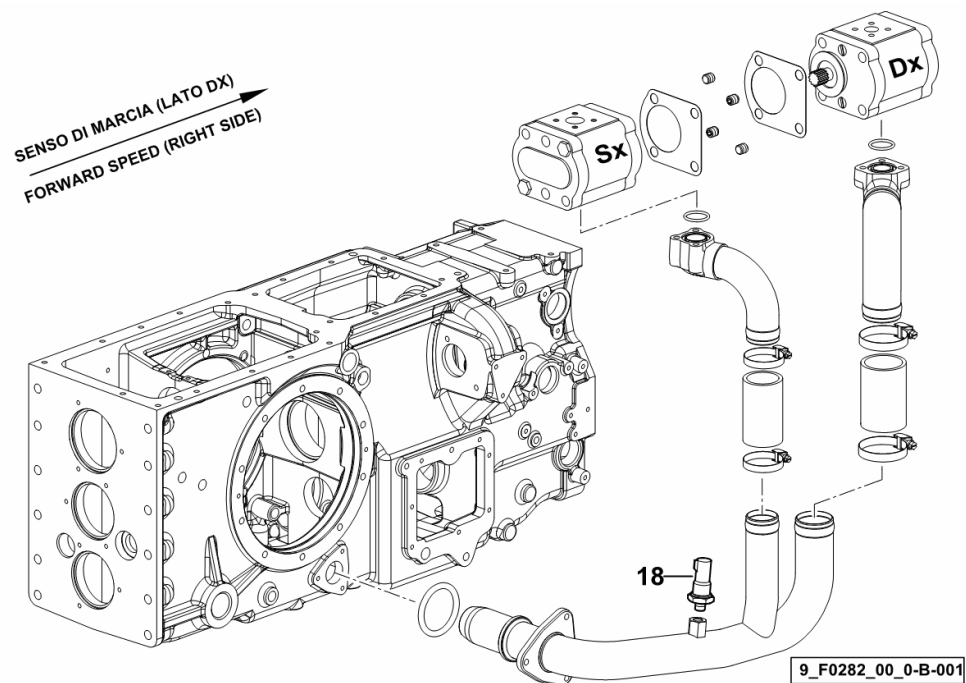
HYDRAULIC SYSTEM PRESSURE SWITCH

Fig.	Code	QTY	Name
------	------	-----	------

Notes:

[AGROPLUS 320 -> ZKDR4502W0TD01001]

18	2.7099.660.0/10	1	pressure switch 0.4/0.5 BAR
----	-----------------	---	-----------------------------



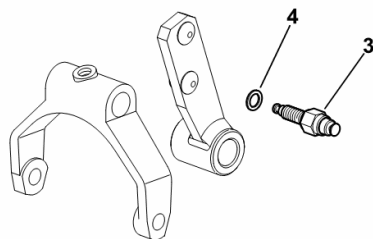
P.T.O. SWITCH

Fig.	Code	QTY	Name
------	------	-----	------

Notes:

- FOR 540/N EXPORT U.S.A. [AGROPLUS 320 -> ZKDR4502W0TD01001]

3	2.7659.131.0	1	switch
4	2.1560.003.0	1	gasket 8.2 x 12



9_17436_02_0-B-001

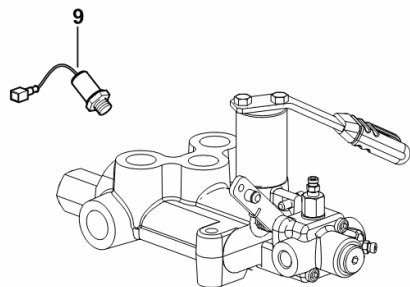
PRESSURE SWITCH FOR HYDRAULIC TRAILER BRAKING SYSTEM - ITALY

Fig.	Code	QTY	Name
------	------	-----	------

Notes:

[AGROPLUS 320 -> ZKDR4502W0TD01001]

9	2.7099.960.0	1	pressure switch 11 Bar
---	--------------	---	------------------------



9_C1389_10_0-B-001

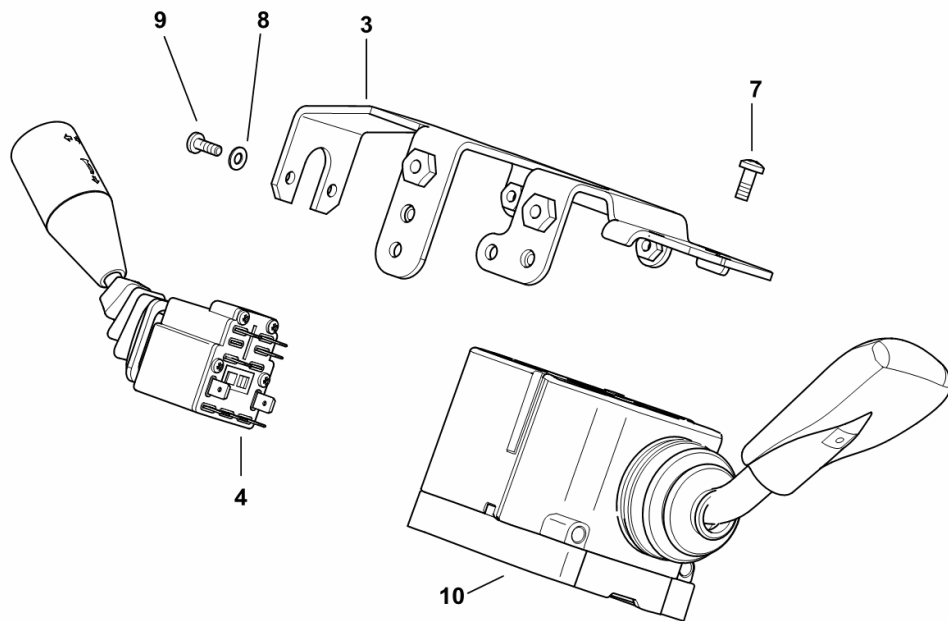
STEERING COLUMN SWITCH UNIT - REVERSING GEAR UNIT CONTROL

Fig.	Code	QTY	Name
------	------	-----	------

Notes:

- FOR MODELS WITH CAB [AGROPLUS 320 -> ZKDR4502W0TD01001] 1027 <- - FOR MODELS WITH PLATFORM [AGROPLUS 320 -> ZKDR4502W0TD01001] 1027 <-

3	0.015.0366.3/20	1	plate
4	0.015.0359.4	1	lever
7	2.0332.304.3	7	screw m 5 x 12
8	2.1310.028.2	2	flat washer 4
9	2.0332.204.2	2	screw m 4x0.7x12
10	2.8519.081.0	1	lever REVERSING GEAR UNIT



9_R4274_01_0-B-001

CLICK HERE TO **DOWNLOAD** THE COMPLETE MANUAL

- Thank you very much for reading the preview of the manual.
- You can download the complete manual from: www.heydownloads.com by clicking the link below



- Please note: If there is no response to CLICKING the link, please download this PDF first and then click on it.

CLICK HERE TO **DOWNLOAD** THE COMPLETE MANUAL

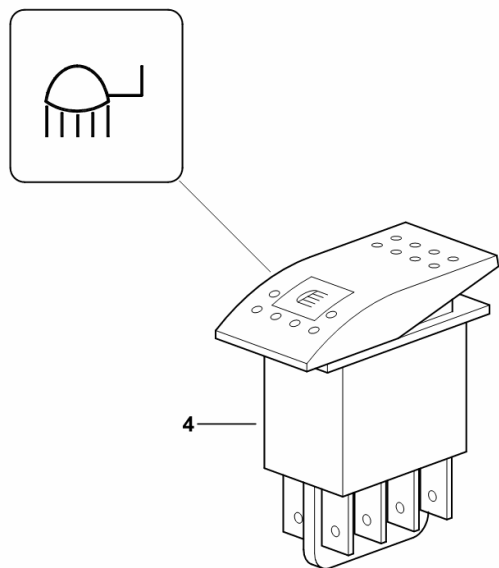
REAR WORKLIGHT SWITCH

Fig.	Code	QTY	Name
------	------	-----	------

Notes:

- FOR TYPES WITH FOLDING ROLL BAR [AGROPLUS 320 -> ZKDR4502W0TD01001]

4	2.7659.157.0	1	switch
---	--------------	---	--------



9_R3085_30_0-B-001

ELECTRICAL SYSTEM FOR REAR ELECTRONIC LIFT

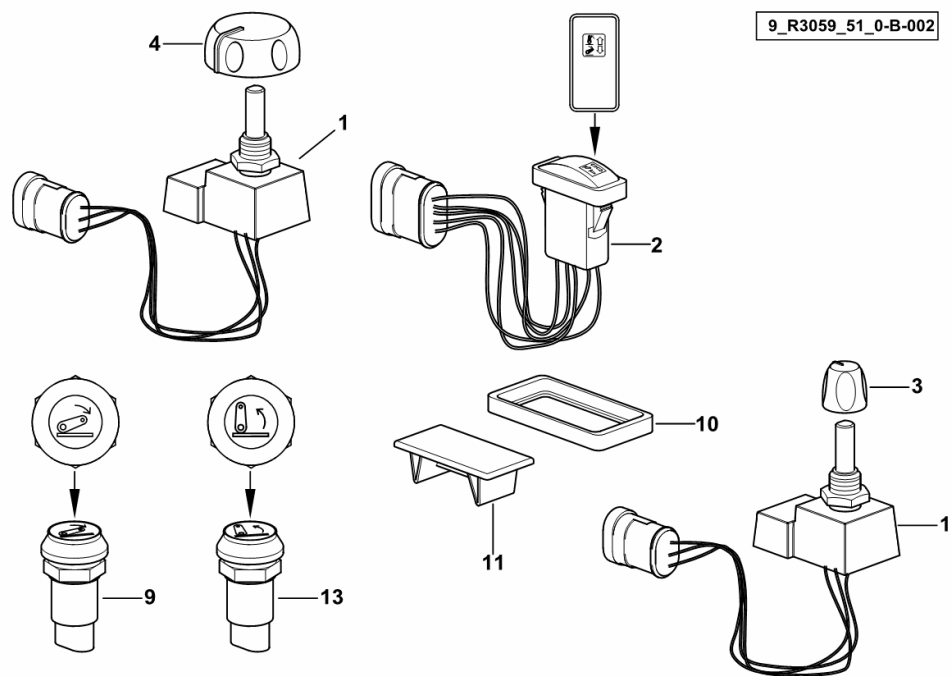
Fig.	Code	QTY	Name
------	------	-----	------

Notes:

[AGROPLUS 320 -> ZKDR4502W0TD01001] -> 1063

1	0.011.2990.0	4	potentiometer
2	0.011.7720.0/20	2	push-button
3	04411530	3	knob
4	04411531	1	knob
9	2.7659.347.0	2	push-button
10	0.011.7723.0	1	adapter
11	0.011.3513.0	1	plug
13	2.7659.348.0	2	push-button

9_R3059_51_0-B-002

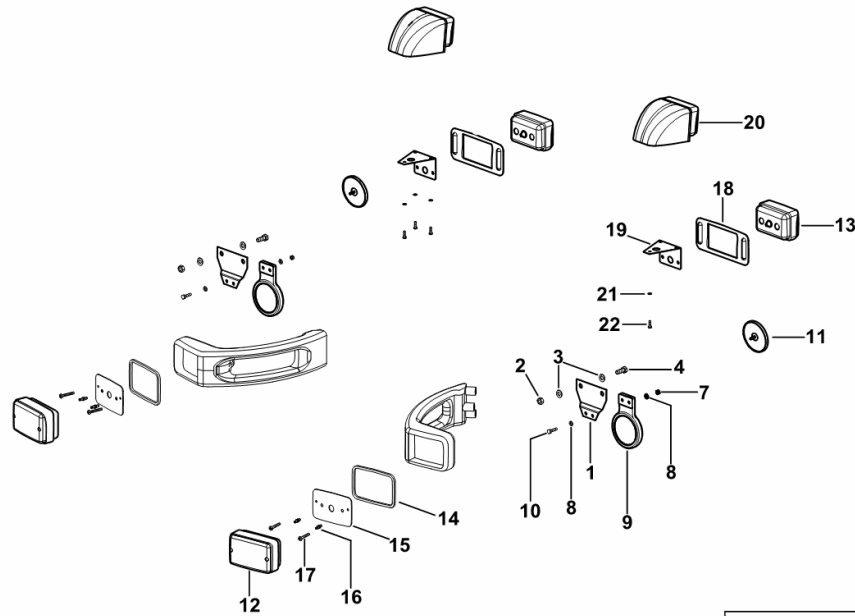


FRONT/REAR LIGHTS

Fig.	Code	QTY	Name
------	------	-----	------

Notes:

- FOR MODELS WITH CAB - EXPORT U.S.A. [AGROPLUS 320 -> ZKDR4502W0TD01001]



1	0.010.1335.0	2	support
2	2.1011.106.2	4	nut m 10 p.1.5
3	2.1310.006.2	8	flat washer 10.5
4	2.0112.309.2	4	screw m 10 p.1.5 x 25
7	2.1011.103.2	4	nut m 6 p.1
8	2.1310.002.2	8	washer 6.6, d125
9	2.8349.008.0/30	2	reflector mm 80
10	2.0112.007.2	4	screw m 6 p.1 x 20
11	2.8349.002.2/30	2	reflector Ø 86 mm
12	2.8039.180.0/10	2	lamp
			☞ 2.8039.180.0/10
13	2.8059.450.0	2	lamp
			☞ 2.8059.450.0
14	0.013.0019.0	2	gasket
15	0.012.9213.2/10	2	plate
16	0.012.9989.0	4	pin
17	2.0332.310.2	4	screw m 5 x 35
18	0.012.6117.0/10	2	lamp support
19	0.012.6958.0	2	lamp support
20	2.8059.440.0/10	2	lamp
			☞ 2.8059.440.0/10
21	2.1470.001.2	6	lock washer 5
22	2.0114.105.2	6	screw m 5 x 16

9_R3084_11_0-A-001

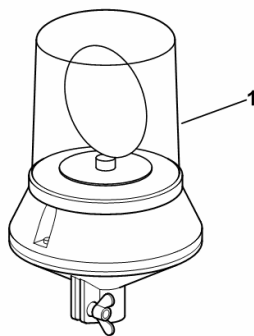
WARNING BEACON

Fig.	Code	QTY	Name
------	------	-----	------

Notes:

- FOR MODELS WITH PLATFORM [AGROPLUS 320 -> ZKDR4502W0TD01001]

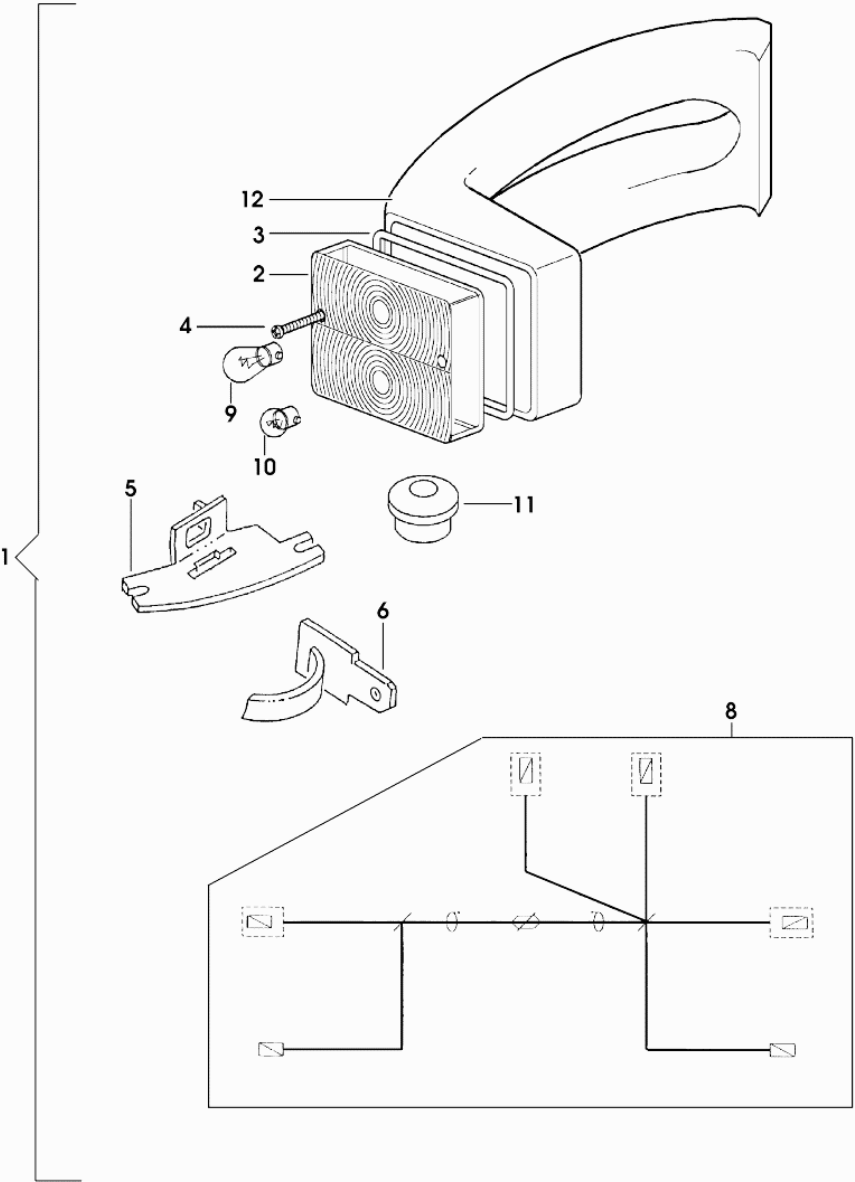
1	0.017.7434.4	1	blinker
---	--------------	---	---------



9_62085_24_0-A-001

HEADLAMP COMPONENTS

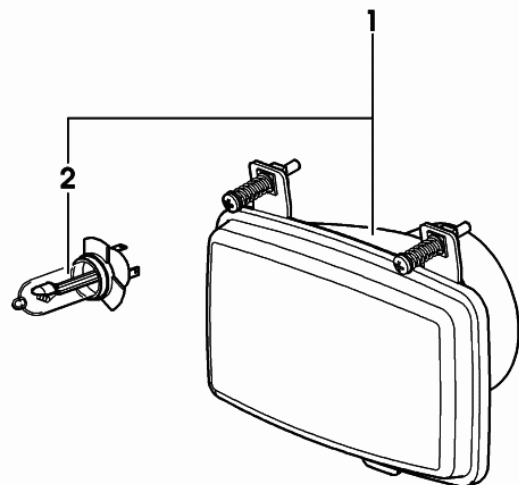
Fig.	Code	QTY	Name
1	04411921.4	1	lamp dx/rh/re
2	04414091	1	side lamp
3	04414092	1	gasket
4	04414116	2	screw 4.2x50
5	04414093	1	socket
6	04414094	2	spring
8	04411923.4	1	wire
9	01121407	1	lamp 12v 5w r19/5
10	01102550	1	lamp r121w d72601
11	04419040	1	plug
12	04413222	1	support



0441_1921_4

FRONT LIGHTS

Fig.	Code	QTY	Name
1	2.8039.250.0	1	headlight
2	0.010.2251.0	1	lamp 60/55W - HALOGEN -



2_8039_250_0

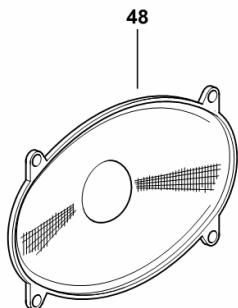
LOUDSPEAKERS

Fig.	Code	QTY	Name
------	------	-----	------

Notes:

- FOR TRACTORS WITH AIR HEATING [AGROPLUS 320 -> ZKDR4502W0TD01001]

48	0.011.5631.3	2	loud speaker
----	--------------	---	--------------



9_L1671_60_0-C-001

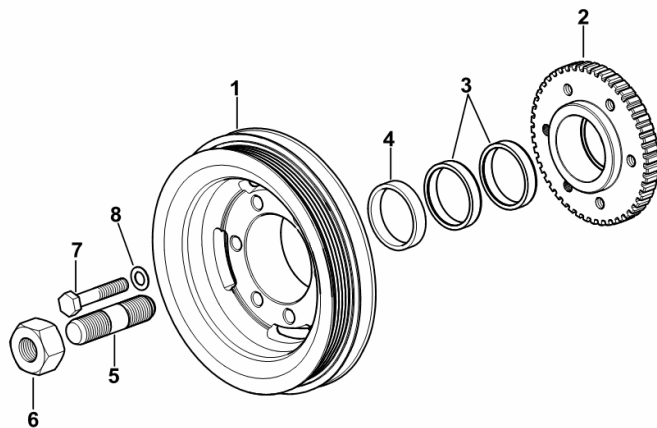
Section: B0 - ENGINE
CRANKSHAFT PULLEY

Fig.	Code	QTY	Name
------	------	-----	------

Notes:

[AGROPLUS 320 -> ZKDR4502W0TD01001]

1	0.015.6055.0	1	pulley
2	0.011.3515.0/20	1	hub Z = 48
3	0.065.1256.0	2	ring 45x52
4	2.1579.865.0	1	spacer 45.2x51.8x10
5	2.0439.195.7	1	stud bolt m 20 p.1.5x80
6	2.1019.094.7	1	nut m 20 p.1.5
7	2.0112.320.2	6	screw m 10 p.1.5 x 55
8	2.1470.006.2	6	lock washer 10



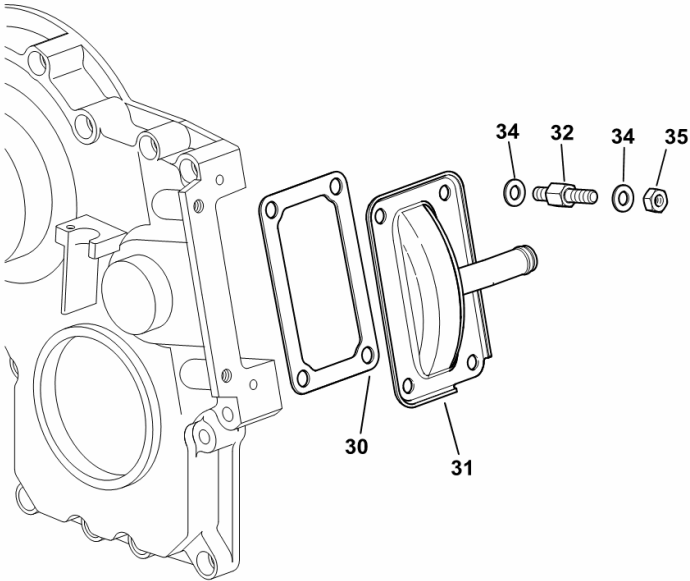
9_O6312_03_0-A-001

Section: B0 - ENGINE
CASING COVER

Fig.	Code	QTY	Name
------	------	-----	------

Notes:
[AGROPLUS 320 -> ZKDR4502W0TD01001]

30	0.065.1152.0	1	gasket
31	0.013.6374.2	1	cover
32	0.013.6368.0/20	4	stud bolt m 8 p.1 / = mm 51.5
34	2.1310.004.2	8	flat washer 8.5
35	2.1011.405.2	4	nut m 8 p.1



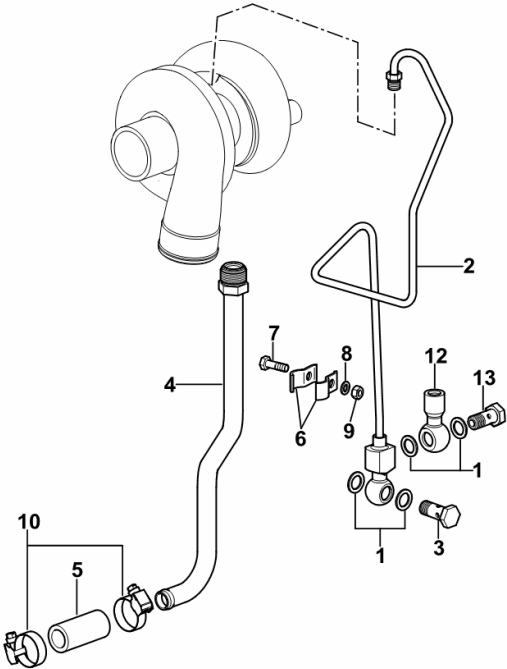
9_N1411_01_0-A-001

OIL PIPES FOR TURBOCHARGER

Fig.	Code	QTY	Name
------	------	-----	------

Notes:
 [AGROPLUS 320 -> ZKDR4502W0TD01001]

1	2.1560.008.0	4	gasket 12.2 x 18
2	0.015.8934.3	1	tube
3	2.3339.448.2	1	pipe union m 12 p.1.75
4	0.015.8933.3/10	1	tube
5	0.007.0729.0/10	1	sleeve
6	0.007.0730.0	2	small plate
7	2.0112.007.2	1	screw m 6 p.1 x 20
8	2.1470.002.2	1	washer 6, d128
9	2.1011.103.2	1	nut m 6 p.1
10	2.6851.002.0	2	clamp Ø 20/32
12	2.3249.014.2	1	pipe fitting m 12 p.1.5
13	2.3330.003.1	1	pipe union m 12 p.1.5



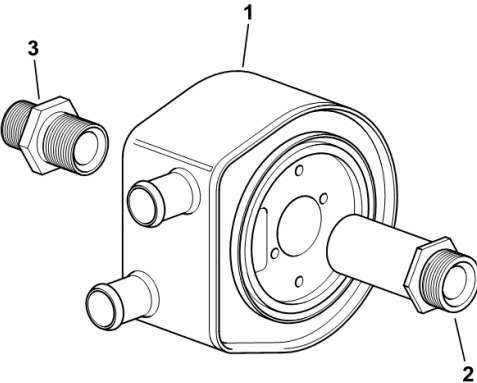
9_O5315_01_0-A-001

Section: B0 - ENGINE
HEAT EXCHANGER

Fig.	Code	QTY	Name
------	------	-----	------

Notes:
[AGROPLUS 320 -> ZKDR4502W0TD01001]

1	0.007.0172.0	1	oil cooler ☞ 0.007.0172.0
2	2.3339.550.2	1	pipe fitting m 20 p.1.5 / m 22 p.1.5
3	2.3339.549.2	1	pipe fitting m 20 p.1.5



9_36315_02_0-A-001

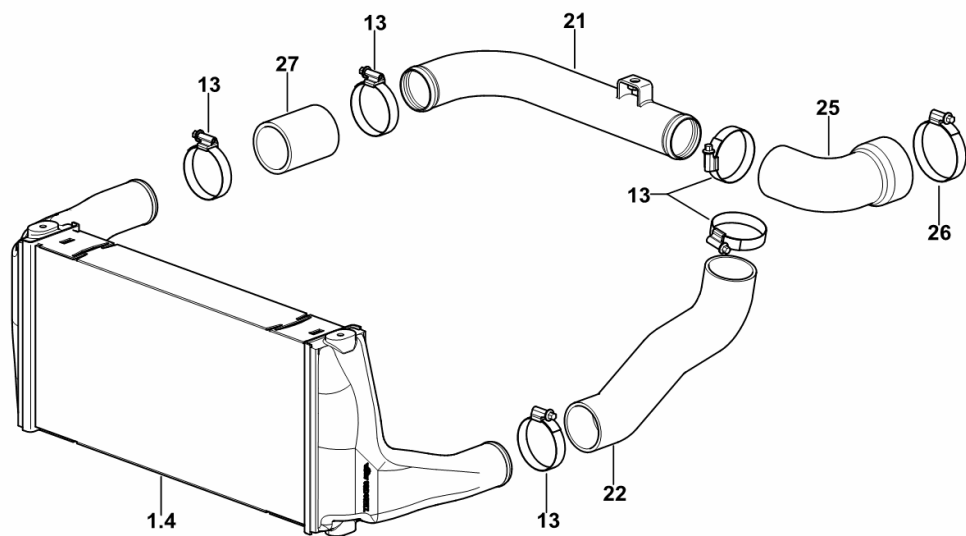
INTERCOOLER

Fig.	Code	QTY	Name
------	------	-----	------

Notes:

[AGROPLUS 320 -> ZKDR4502W0TD01001]

1.4	0.014.8622.3	1	radiator
13	2.6851.006.0	5	clamp Ø 50/70
21	0.016.2466.3	1	tube
22	0.016.2501.0	1	sleeve
25	0.016.2491.0	1	sleeve
26	2.6851.007.0	1	clamp Ø 60/80
27	0.016.2478.0	1	sleeve



9_P2583_00_0-B-001

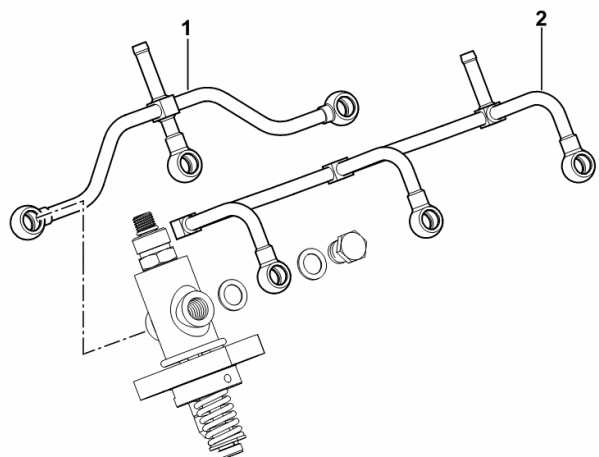
FUEL PIPES

Fig.	Code	QTY	Name
------	------	-----	------

Notes:

[AGROPLUS 320 -> ZKDR4502W0TD01001]

1	0.017.1213.3	1	tube
2	0.016.0656.3	1	tube



9_O6316_03_0-A-001

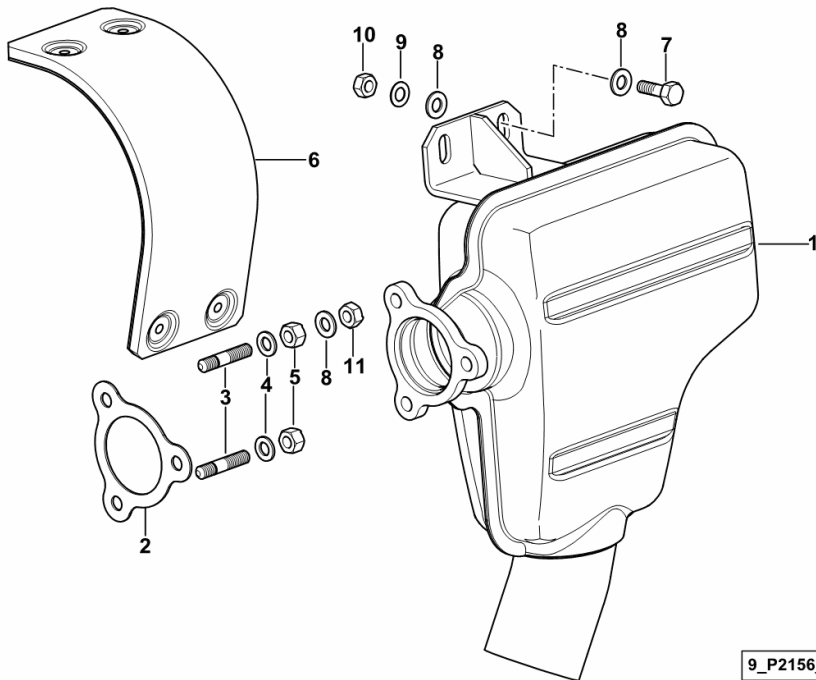
EXHAUST SILENCER

Fig.	Code	QTY	Name
------	------	-----	------

Notes:

[AGROPLUS 320 -> ZKDR4502W0TD01001]

1	0.016.0248.2/10	1	exhaust silencer
2	0.016.2555.0	1	gasket
3	2.0432.007.2	3	stud bolt m 8 p.1.25 / p.1 x 30
4	2.1474.009.2	3	spring washer 8
5	2.1019.033.0	3	special nut m 8 p.1 x 8
6	0.016.2557.3/10	1	sump
7	2.0112.209.2	2	screw m 8 p 1.25 x 25
8	2.1310.004.2	6	flat washer 8.5
9	2.1470.004.2	2	washer 8
10	2.1011.105.2	2	nut m 8 p.1.25
11	2.1011.405.2	2	nut m 8 p.1



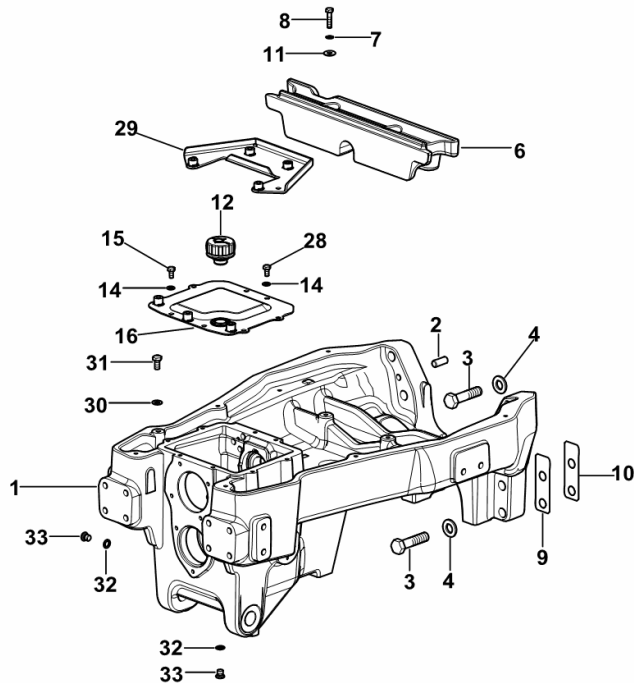
9_P2156_00_0-A-001

FRONT SUPPORT - WITH FRONT PTO AND LIFT

Fig.	Code	QTY	Name
------	------	-----	------

Notes:

[AGROPLUS 320 -> ZKDR4502W0TD01001]



9_R3052_01_0-A-001

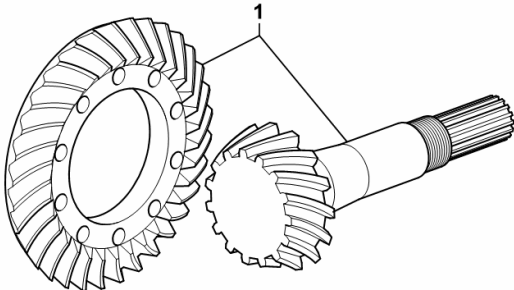
1	0.015.9069.0/30	1	support
2	2.1699.035.0	2	cylindrical plug 14 x 35
3	2.0112.724.2	8	screw m 18 p.2.5 x 75
4	2.1475.007.7	8	washer 18
6	0.016.2752.2	1	gasket
7	2.1470.004.2	2	washer 8
8	2.0112.213.2	2	screw m 8 p.1.25 x 35
9	0.008.8586.0/10	4	shim mm 0.20
10	0.008.8587.0/10	8	shim mm 0.50
11	2.1312.004.2	2	washer 8.4
12	2.3199.344.0	1	plug
14	2.1310.004.2	8	flat washer 8.5
15	2.0112.205.2	4	screw m 8 p.1.25 x 16
16	0.016.1733.2/10	1	cover
28	2.0112.207.2	4	screw m 8 p 1.25 x 20
29	0.016.5650.2	1	bracket
30	2.1310.006.2	1	flat washer 10.5
31	2.0112.307.2	1	screw m 10 p.1.5 x 20
32	2.1560.008.0	2	gasket 12.2 x 18
33	2.3120.008.4	2	plug m 12 x 1,5

4WD - BEVEL WHEEL GEAR Z = 15 / Z = 33

Fig.	Code	QTY	Name
------	------	-----	------

Notes:
[AGROPLUS 320 -> ZKDR4502W0TD01001]

1	0.010.4891.3	1	bevel gear Z = 15 / Z = 33
---	--------------	---	----------------------------



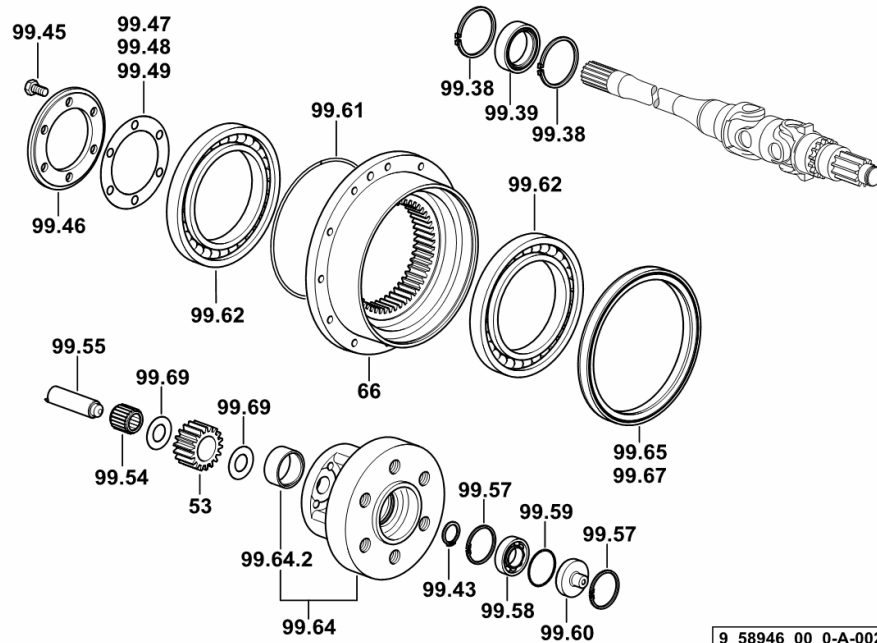
9_64846_02_0-A-001

4WD - FRONT REDUCTION GEARBOX

Fig.	Code	QTY	Name
------	------	-----	------

Notes:

[AGROPLUS 320 -> ZKDR4502W0TD01001] 1022 <-



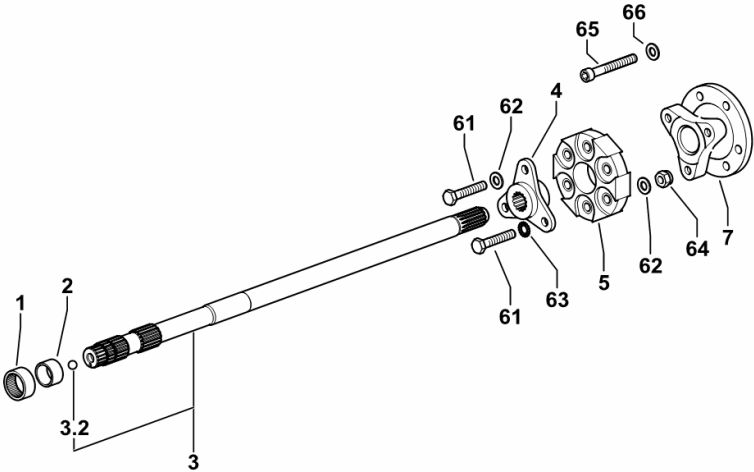
53	0.146.4644.0	6	planet gear Z = 18
66	0.008.5345.0	2	crown wheel
99.38	2.1411.025.1	4	circlip 62
99.39	2.2999.415.0	2	bearing 43.8 x 62 x 17
99.43	2.1419.029.7	2	circlip 25
99.45	2.0113.307.2	12	screw m 10 p 1.5 x 20
99.46	0.008.5401.0/20	2	spider
99.47	0.467.4653.0/10	4	shim 82x119x0.2
99.48	0.467.4654.0/10	4	ring 82x119x0.5
99.49	0.467.4655.0/10	4	ring 82x119x0.15
99.54	2.2999.030.0	6	roller cage 22 x 32 x 30
99.55	0.146.4643.0	6	pin
99.57	2.1411.019.1	4	circlip 47
99.58	2.2030.006.0	2	ball bearing 25 x 47 x 12
99.59	2.1530.118.0	2	'o' ring 46.04x3.53
99.60	0.270.4652.0	2	small cover
99.61	2.1530.276.0	2	'o' ring 177.4x3.53
99.62	2.2020.022.0	4	ball bearing 120x180x19
99.64	0.008.5344.3/50	2	spider
99.64.2	2.1559.309.0	1	bushing
99.65	2.1529.124.0/30	1	'o' ring 173 x 200 x 17
99.67	2.1529.124.0/30	1	'o' ring 173 x 200 x 17
99.69	2.1589.552.0	12	shoulder 22x42x1

Section: M0 - FRONT PTO
PTO INPUT SHAFT

Fig.	Code	QTY	Name
------	------	-----	------

Notes:
[AGROPLUS 320 -> ZKDR4502W0TD01001]

1	2.2725.040.0	1	roller cage 30 x 37 x 16
2	2.1559.374.0	1	bushing 25 x 30 x 17
3	0.016.3797.3	1	p.t.o.shaft
3.2	2.2810.007.0	1	ball 13/32"
4	0.010.1376.0/10	1	flange
5	0.008.8341.0/10	1	filex coupling
7	0.008.8342.0	1	flange
61	2.0112.320.2	6	screw m 10 p.1.5 x 55
62	2.1310.006.2	3	flat washer 10.5
63	2.1470.006.2	3	lock washer 10
64	2.1120.006.2	3	nut m 10 p.1.5
65	2.0312.321.2	6	screw m 10 p.1.5 x 75
66	2.1480.015.1	6	washer 10



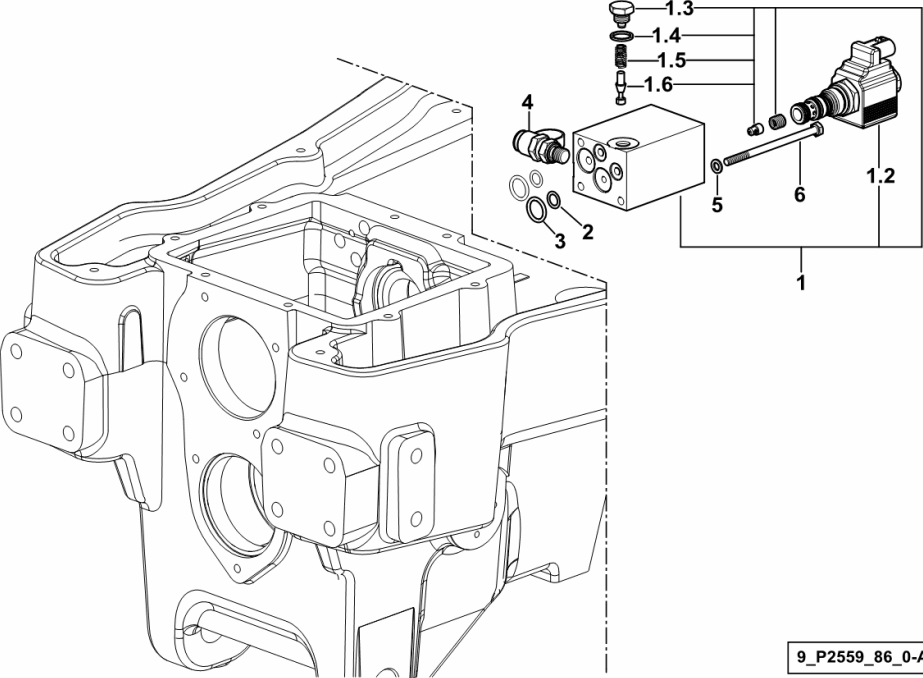
9_P2559_85_0-A-001

Section: M0 - FRONT PTO
VALVE

Fig.	Code	QTY	Name
------	------	-----	------

Notes:
[AGROPLUS 320 -> ZKDR4502W0TD01001]

1	0.016.3343.4	1	distributor
1.2	2.3729.697.0/20	1	electro valve 13V - 20W ☞ 2.3729.697.0/20
1.3	2.3199.283.2	1	plug
1.4	2.1561.006.0	1	'o' ring 12
1.5	2.4019.639.1	1	spring
1.6	0.009.9898.0	1	small piston
2	2.1531.025.0	2	'o' ring 10.82x1.78
3	2.1532.038.0	2	'o' ring
4	2.3729.696.0	1	socket
5	2.1470.002.2	3	washer 6, d128
6	2.0112.029.2	3	screw m 6 x 100



9_P2559_86_0-A-001

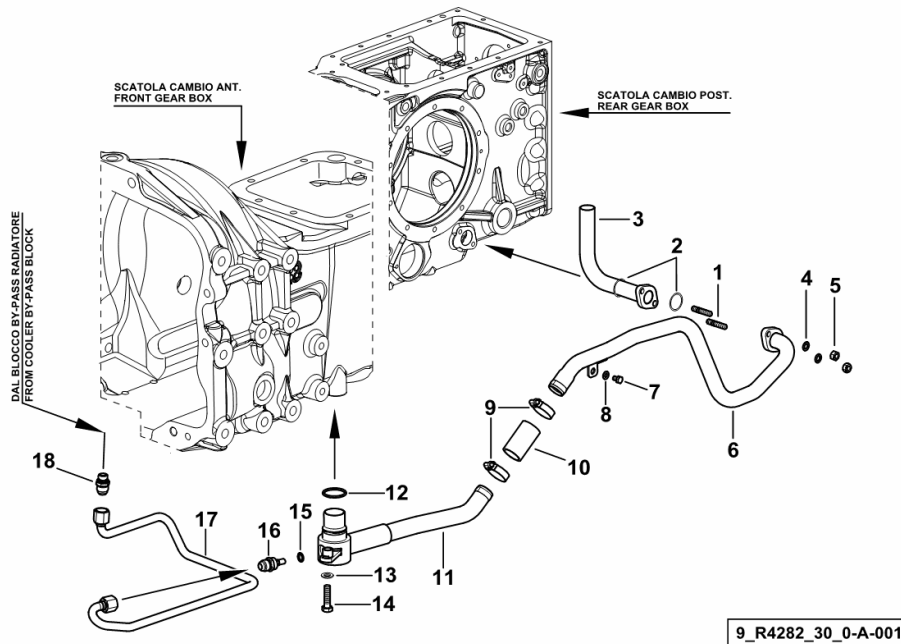
GEAR BOX OIL FEED PIPES

Fig.	Code	QTY	Name
------	------	-----	------

Notes:

[AGROPLUS 320 -> ZKDR4502W0TD01001]

1	2.0432.159.7	2	stud bolt m 10 p.1.5 / p.1.25 x 35
2	2.1531.091.0	2	'o' ring 34.60 x 2.62
3	0.013.6468.3	1	tube
4	2.1470.006.2	2	lock washer 10
5	2.1011.421.2	2	nut m 10 p.1.25
6	0.014.7770.3	1	tube
7	2.0112.203.2	1	screw m 8 p.1.25 x 12
8	2.1310.004.2	1	flat washer 8.5
9	2.6851.004.0	2	clamp Ø 32/50
10	2.3213.234.0	1	sleeve Ø 34, L 70
11	0.014.0604.3	1	tube
12	2.1531.108.0	1	'o' ring 41.28x3.53
13	2.1310.007.2	1	flat washer 13.5
14	2.0112.417.2	1	screw m 12 p.1.75 x 45
15	2.1561.006.0	1	'o' ring 12
16	2.3249.109.2	1	pipe fitting
17	0.016.7840.3	1	tube
18	2.3249.141.2	1	pipe fitting 7/8 JIC-M18



AGROPLUS 320 -> 1001

Section: H0 - HYDRAULIC AND PNEUMATIC SYSTEM|

Ref.: H0.01.25 (1)

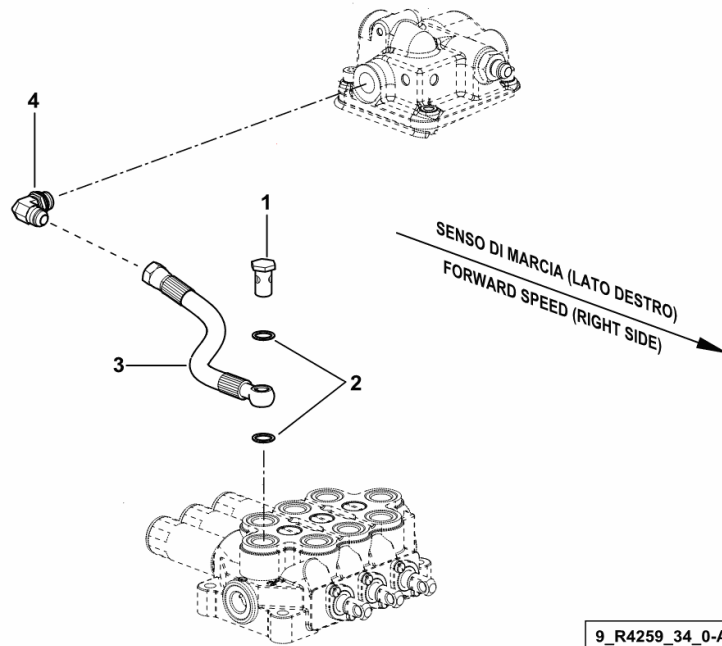
PIPE FROM AUX. CONTROL VALVE TO ELECTRONIC REAR LIFT CONTROL VALVE

Fig.	Code	QTY	Name
------	------	-----	------

Notes:

[AGROPLUS 320 -> ZKDR4502W0TD01001]

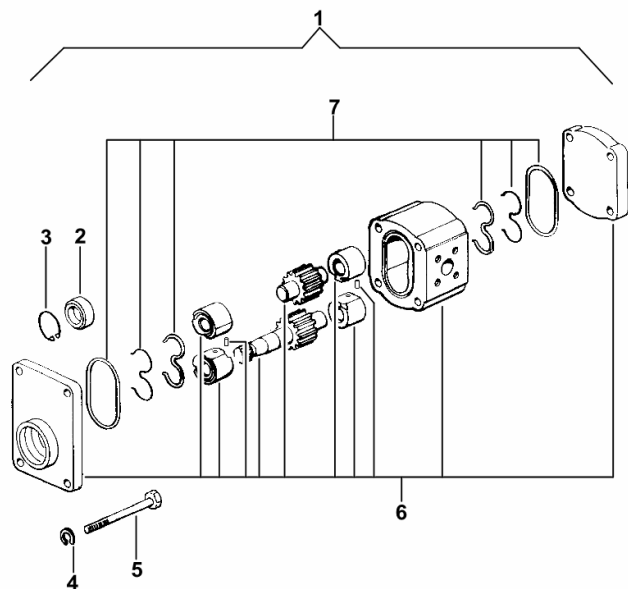
1	2.3335.008.2	1	pipe union m 18 p.1.5 x 32
2	2.1560.014.0	2	gasket 18.2 x 24 x 1.5
3	0.016.7779.3	1	tube
4	2.3249.460.2	1	pipe fitting m 22 p.1.5 - 7/8



9_R4259_34_0-A-001

HYDRAULIC PUMP PARTS

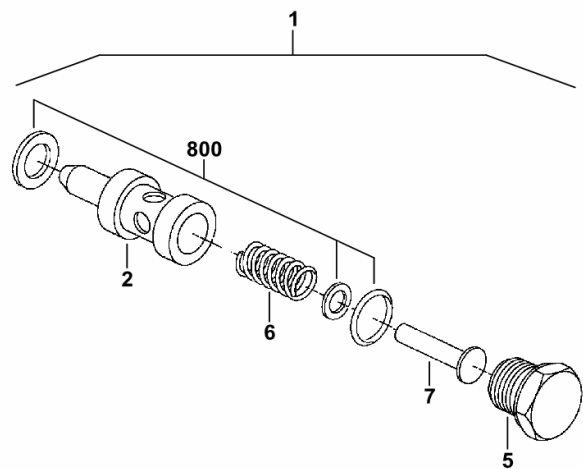
Fig.	Code	QTY	Name
1	2.4539.620.0/10	1	hydraulic pump 22.5 cc dx/rh/re - BOSCH
2	0.009.4046.1	1	'o' ring
3	2.1411.012.1	1	circlip 30x1.2, din 472
4	0.000.0000.1	0	not serviceable
5	0.000.0000.1	0	not serviceable
6	0.000.0000.1	0	not serviceable
7	2.4529.330.1/10	1	seal ring kit



2_4539_620_0_10

PRESSURE CONTROL VALVE

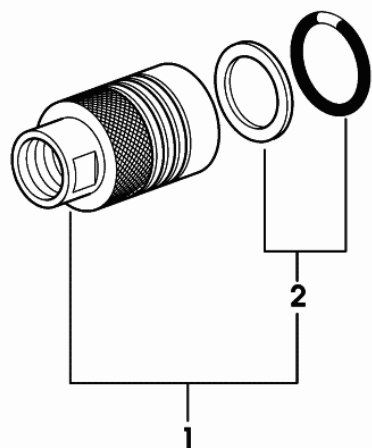
Fig.	Code	QTY	Name
1	0.009.2038.4/10	1	valve
2	04417983	1	valve
5	0.900.0039.0	1	plug
6	0.900.0051.7	1	spring
7	0.900.0039.1	1	pin
800	2.3719.020.1	1	shim



0_009_2038_4_10

ENGAGEMENT

Fig.	Code	QTY	Name
1	0.98309.50.3/10	1	coupling
2	04438079	1	seal ring kit



0_98309_50_3_10

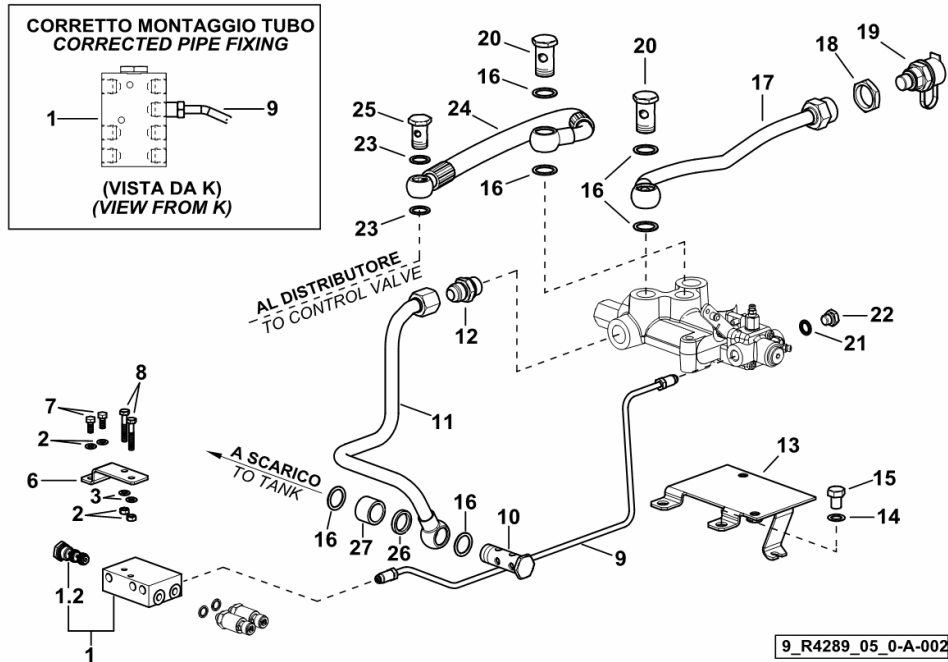
HYDRAULIC TRAILER BRAKING SYSTEM

Fig.	Code	QTY	Name
------	------	-----	------

Notes:

[AGROPLUS 320 -> ZKDR4502W0TD01001] -> 1057

1	0.014.5670.4/20	1	valve
1.2	2.3719.760.0/20	1	valve
2	2.1310.002.2	4	washer 6.6, d125
3	2.1011.103.2	2	nut m 6 p.1
6	0.016.7801.0	1	bracket
7	2.0112.004.2	2	screw m 6 p.1 x 14
8	2.0112.015.2	2	screw m 6 p.1x40
9	0.016.7800.3	1	tube
10	2.3339.660.2	1	pipe union
11	0.017.8806.3	1	tube
12	2.3249.173.2	1	pipe fitting M/M 7/8 JIC-M22
13	0.007.7993.2	1	support
14	2.1470.007.2	1	lock washer 12
15	2.0112.405.2	1	screw m 12 p.1.75x16
16	2.1560.018.0	6	gasket 22.2 x 29
17	0.016.7797.3	1	tube
18	2.1019.091.2	1	special nut m 30 p.1.5x8
19	0.011.0433.4/10	1	coupling
20	2.3335.009.2	2	pipe union m 22 p.1.5 x 39
21	2.1561.006.0	1	'o' ring 12
22	2.3110.422.1	1	plug m 12 p.1.25 x 10
23	2.1560.014.0	2	gasket 18.2 x 24 x 1.5
24	0.010.0419.3	1	tube
25	2.3335.008.2	1	pipe union m 18 p.1.5 x 32
26	2.1569.172.0/10	6	gasket 29x22.2x5
27	2.1549.685.2	1	spacer

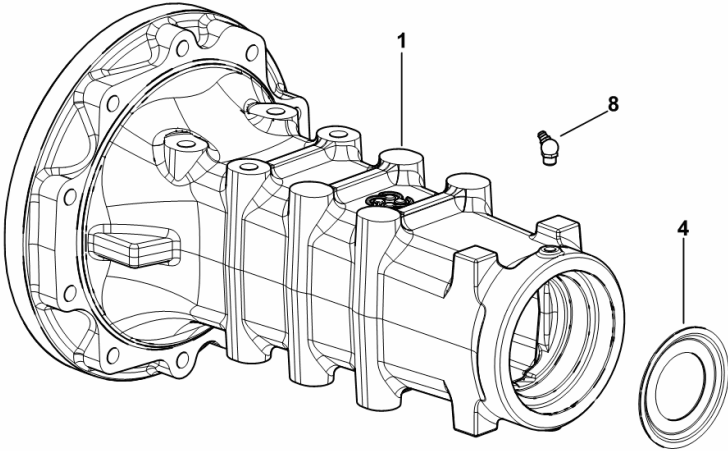


REAR AXLE

Fig.	Code	QTY	Name
------	------	-----	------

Notes:
[AGROPLUS 320 -> ZKDR4502W0TD01001]

1	0.007.2515.0/70	2	wheel support
4	0.255.4451.0	2	cup
8	2.3821.103.2	2	lubricator m 10 p.1



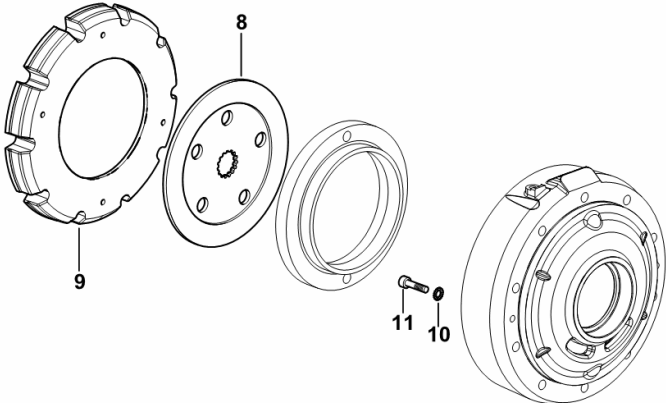
9_64844_10_0-A-001

REAR BRAKES

Fig.	Code	QTY	Name
------	------	-----	------

Notes:
[AGROPLUS 320 -> ZKDR4502W0TD01001]

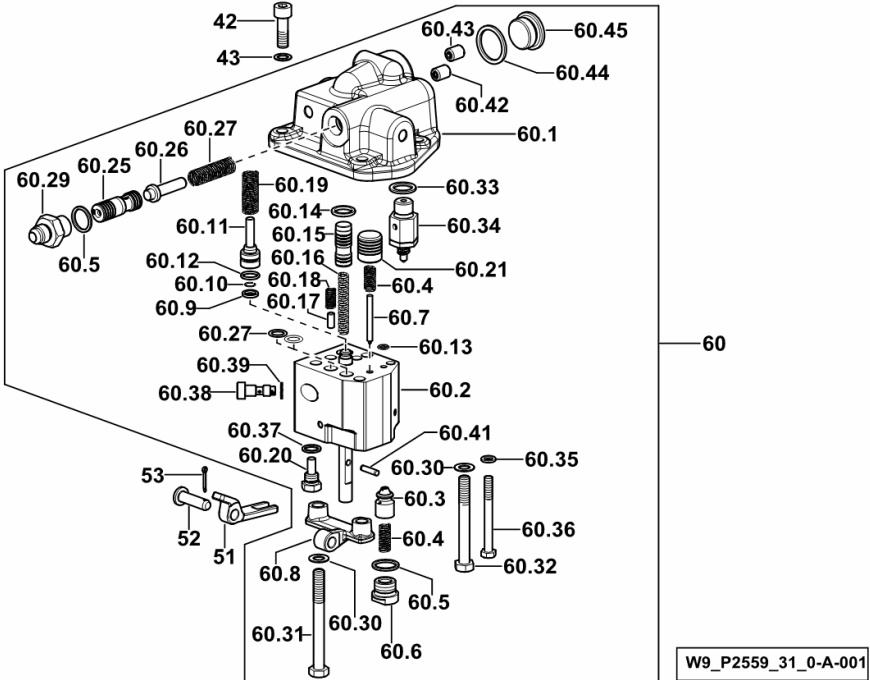
8	0.015.4482.2	2	brake disc
9	0.008.5159.0/30	2	disc
10	2.1480.014.1	4	washer 8
11	2.0312.212.2	4	screw m 8 p.1.25 x 35



9_64854_00_0-A-001

FLOW CONTROL VALVE WITH MECHANICAL CONTROL

Fig.	Code	QTY	Name
60.41	2.1631.307.0	1	roll pin 4x16
60.42	0.9123.450.3/10	1	grain
60.43	0.9123.454.3/10	1	grain
60.44	2.1560.019.0	1	gasket 24.3x30
60.45	2.3199.118.2	1	plug m 24 p.1.5

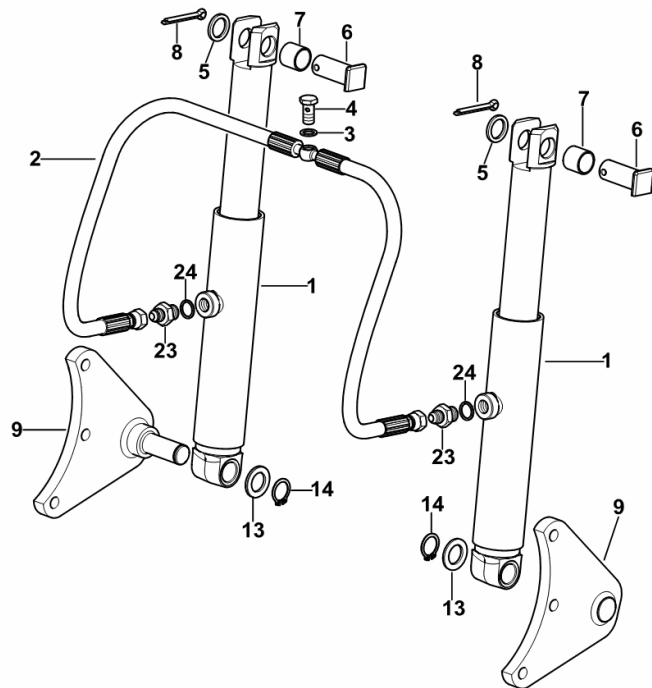


3-POINT HITCH WITH HYDRAULIC LIFT ROD

Fig.	Code	QTY	Name
------	------	-----	------

Notes:

[AGROPLUS 320 -> ZKDR4502W0TD01001]



1	0.010.7534.4	2	cylinder ☞ 0.010.7534.4
2	0.010.7533.3/10	1	tube
3	2.1560.008.0	1	gasket 12.2 x 18
4	2.3335.005.2	1	pipe union m 12 p.1.5 x 24
5	2.1599.656.2	2	washer 22 x 30 x 3.0
6	2.1699.372.0/30	2	pin 22x59
7	2.1559.076.0	2	bushing 22.05x26.05x23
8	2.1690.616.2	2	split pin 6.3 x 50
9	0.010.7529.3	2	plate
13	2.1311.013.2	2	flat washer 22
14	2.1410.008.1	2	circlip Ø 22
23	2.3261.007.2	2	pipe fitting m 16 p.1.5-9/16"
24	2.1560.011.0	2	gasket 16.2x20

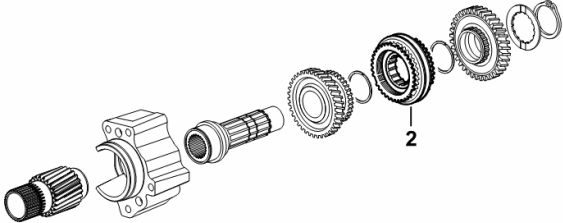
5-SPEED GEARBOX INTERNAL CONTROLS.....	D0.10.1 (2)
INTERNAL CONTROLS OF 5-SPEED GEARBOX WITH UNDERDRIVE.....	D0.10.2 (2)
GEAR SHIFTING.....	D0.10.5 (2)
GEAR SHIFTING.....	D0.10.6 (2)
SPEED RANGE REDUCTION GEAR SHAFT.....	D0.10.10 (1)
3-RANGE BOX.....	D0.10.11 (1)
LOW SPEED RANGES	
BEVEL WHEEL GEAR Z = 12 / Z = 44.....	D0.11.0 (1)
BEVEL DRIVE PINION BEARING.....	D0.11.1 (1)
SPEED RANGE REDUCTION GEAR UNIT.....	D0.11.2 (1)
3-RANGE BOX 40 Km\h.....	D0.11.3 (1)
PHONIC WHEEL FOR TYPES WITH ELECTROHYDRAULIC 4WD ENGAGEMENT.....	D0.11.5 (1)
HYDRAULIC REAR PTO CLUTCH	
P.T.O. - HYDRAULIC CLUTCH.....	D0.12.0 (2)
P.T.O. - HYDRAULIC CLUTCH.....	0.011.9686.4/40.A
P.T.O. - HYDRAULIC CLUTCH.....	0.011.9686.4/40.B
HYDRAULIC PUMP DRIVE	
P.T.O. - PUMP CONTROL.....	D0.13.0 (2)
PTO/GROUNDSPSPEED DRIVE	
CONTROL LEVER P.T.O.....	D0.14.0 (1)
CONTROL LEVER P.T.O.....	D0.14.1 (1)
BEARINGS OF - 2-SPEED P.T.O.....	D0.14.3 (1)
P.T.O. - 540/N - WITH INSERTED END SHAFTS.....	D0.14.4 (1)
CONTROL LEVER P.T.O.....	D0.14.5 (1)
P.T.O. - 540/N - WITH INSERTED END SHAFTS.....	D0.14.6 (1)
P.T.O. - 2 SPEED TYPE 540-750.....	D0.14.7 (1)
2-SPEED - PTO WITH FIXED OUTPUT SHAFT 540-750.....	D0.14.8 (2)
PTO - 2-SPEED WITH INSERTED END SHAFT 540-750.....	D0.14.9 (1)
PTO - 2-SPEED WITH INSERTED END SHAFT 540-750.....	D0.14.10 (1)
P.T.O. SHAFT 540 - 750 + SYNCRO.....	D0.14.11 (1)
P.T.O. SHAFT 540 - 750 + SYNCRO.....	D0.14.12 (1)
3-SPEED P.T.O. WITH FIXED OUTPUT SHAFT 540-750-1000.....	D0.14.13 (1)
PTO - 3-SPEED WITH INSERTED END SHAFT 540-750-1000.....	D0.14.14 (1)
PTO - 3-SPEED WITH INSERTED END SHAFT 540-750-1000.....	D0.14.15 (1)
P.T.O. WITH FIXED OUTPUT SHAFT - 2 SPEEDS + SINCRO AND 3 SPEEDS.....	D0.14.16 (2)
P.T.O. WITH INSERTED END SHAFTS - 2 -SPEED + GROUNDSP. AND 3- SPEED.....	D0.14.17 (1)
PTO - 3-SPEED WITH INSERTED END SHAFT 540-750-1000.....	D0.14.18 (2)
REAR PTO COVER WITH STANDARD SEAL.....	D0.14.19 (1)
P.T.O. - 2 SPEED TYPE + SINCRO.....	D0.14.20 (1)
PTO - 3-SPEED WITH INSERTED END SHAFT 540-750-1000.....	D0.14.21 (1)
PTO - 3-SPEED WITH INSERTED END SHAFT 540-750-1000.....	D0.14.22 (1)
GUARD PLATE P.T.O.....	D0.14.23 (1)
GUARD PLATE P.T.O.....	D0.14.24 (1)
GUARD PLATE P.T.O.....	D0.14.25 (1)

Section: D0 - TRANSMISSION
SYNCHRONISERS

Fig.	Code	QTY	Name
------	------	-----	------

Notes:
- FOR TYPES WITHOUT H-M-L (POWERSHIFT) [AGROPLUS 320 -> ZKDR4502W0TD01001]

2	0.007.7620.4/10	3	lock synchronizer 62 ☞ 0.007.7620.4/10
---	-----------------	---	---



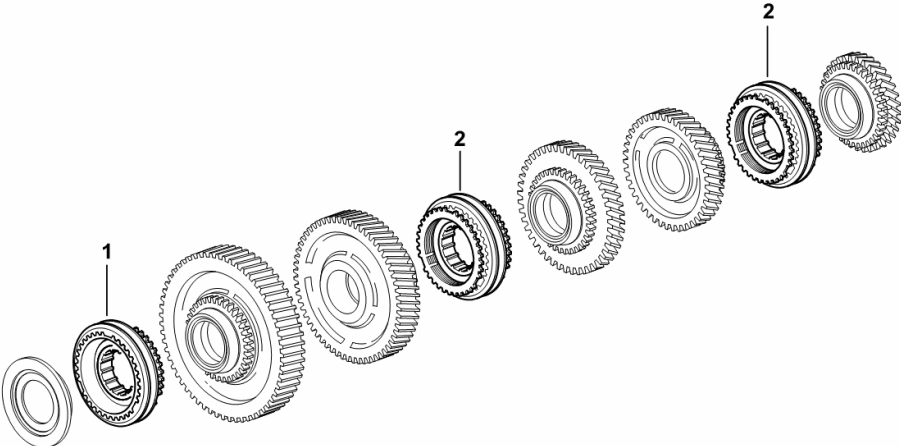
9_D3233_03_0-B-001

Section: D0 - TRANSMISSION
SYNCHRONISERS

Fig.	Code	QTY	Name
------	------	-----	------

Notes:
 - FOR TYPES WITH H-M-L- (POWERSHIFT) [AGROPLUS 320 -> ZKDR4502W0TD01001]

1	0.007.7621.4	1	lock synchronizer 62 ☞ 0.007.7621.4
2	0.007.7620.4/10	2	lock synchronizer 62 ☞ 0.007.7620.4/10



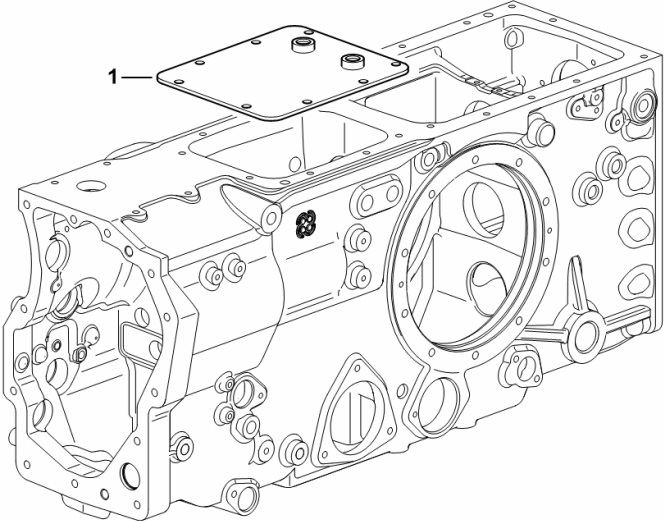
9_C1233_01_0-A-001

Section: D0 - TRANSMISSION
GEARBOX UPPER COVER

Fig.	Code	QTY	Name
------	------	-----	------

Notes:
[AGROPLUS 320 -> ZKDR4502W0TD01001]

1	0.010.8215.2	1	cover
---	--------------	---	-------



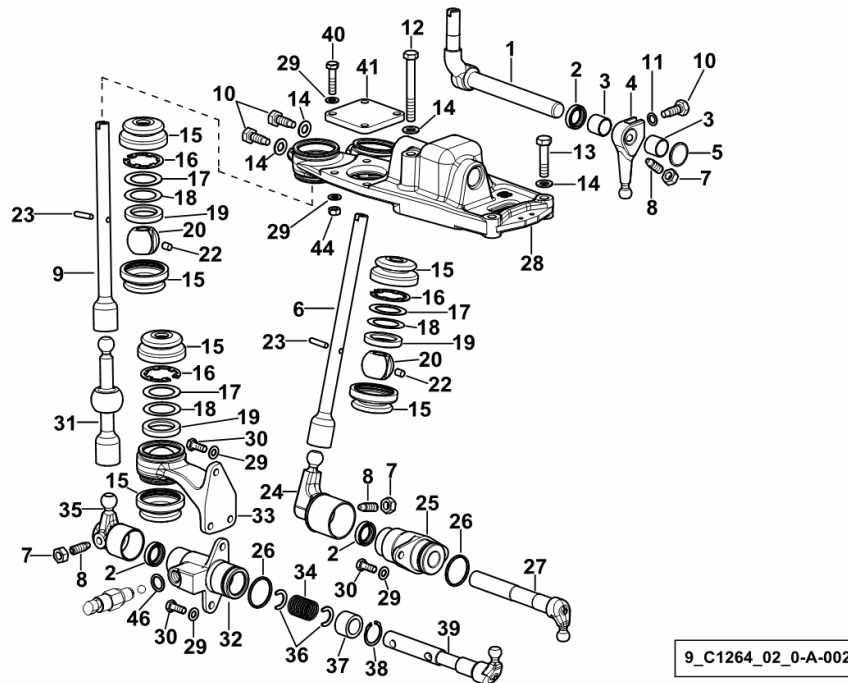
9_E2531_02_0-A-001

GEAR SHIFTING

Fig.	Code	QTY	Name
------	------	-----	------

Notes:

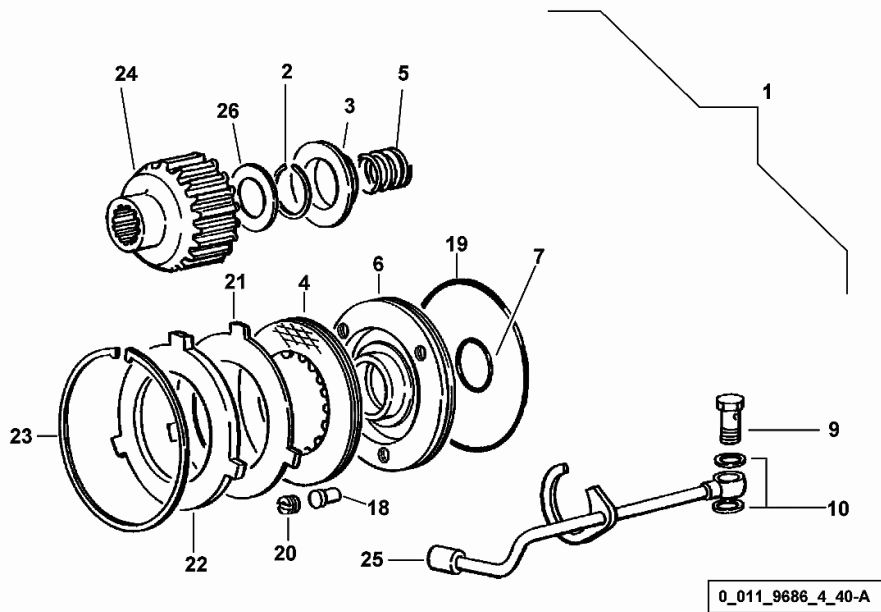
- FOR TYPES WITHOUT H-M-L (POWERSHIFT) [AGROPLUS 320 -> ZKDR4502W0TD01001]



1	0.014.2564.2/10	1	lever DRIVE INTERMEDIATE GEARS
2	2.1520.006.0	3	oil seal 20 x 30 x 7
3	2.1555.311.0	2	bushing 20x23x20
4	0.013.9618.0/10	1	lever DRIVE INTERMEDIATE GEARS
5	2.3170.012.2	1	expansion plug Ø 30
6	0.014.2502.0	1	lever FOR REDUCTION UNIT CONTROL
7	2.1011.406.2	3	nut m 10 p.1
8	2.0399.050.2	3	screw m 10 p.1 x 30
9	0.014.2500.0	1	lever GEAR SHIFTING
10	2.0119.177.2/10	3	screw m 10x29.5
11	2.1560.006.0	1	gasket 10.2 x 16
12	2.0112.326.2	1	screw m 10 p.1.5x85
13	2.0112.315.2	3	screw m 10 p.1.5 x 40
14	2.1475.003.2	6	washer 10
15	0.255.6451.0/10	6	bellows
16	2.1499.122.0	3	circlip 47
17	2.1589.251.0	6	snoulder 32x46.5x0.2
18	2.1589.302.0	3	snoulder 32x46.5x1
19	0.008.5395.0/10	3	ring
20	0.008.0305.0	2	ball mm 40
22	2.1699.395.0	2	pin 8x10.5
23	2.1651.512.0	2	pin 6 x 28
24	0.009.9671.3/10	1	lever FOR REDUCTION UNIT CONTROL
25	0.008.5413.0/10	1	support
26	2.1530.091.0	2	'o' ring 34.60 x 2.62
27	0.008.5416.0/10	1	lever FOR REDUCTION UNIT CONTROL
28	0.014.2577.0	1	support
29	2.1475.002.2	15	conical washer 8
30	2.0112.207.2	7	screw m 8 p 1.25 x 20
31	0.014.2691.0/10	1	lever GEAR SHIFTING
32	0.015.3410.0/10	1	support
33	0.014.2663.0/10	1	support
34	2.4019.565.1/10	1	spring
35	0.015.3412.3	1	lever

P.T.O. - HYDRAULIC CLUTCH

Fig.	Code	QTY	Name
1	0.011.9686.4/40	1	hydraulic pto clutch
2	2.1420.014.7	1	circlip Ø 35
3	0.007.6115.0	1	small disc
4	0.008.9946.2	6	clutch disc
5	2.4019.725.1	1	spring
6	0.011.9682.0	1	piston
7	2.1539.140.0	1	'o' ring 34.5 x 2.62
9	2.3332.003.1	1	pipe union m 12 p.1.25
10	2.1560.007.0	2	gasket 12.2x16
18	2.1699.396.0/10	3	pin 6 x 13
19	2.1539.098.0	1	'o' ring 94.92 x 2.62
20	2.0599.111.1	3	grain
21	0.013.9480.0	6	disc
22	0.008.0324.0	1	disc mm 4.8
23	2.1499.082.0	1	ring 107
24	0.011.9678.0	1	hub
25	0.009.6715.3/10	1	tube
26	2.2685.006.0	1	thrust plate 25 x 42 x 1.0



2-SPEED - PTO WITH FIXED OUTPUT SHAFT 540-750

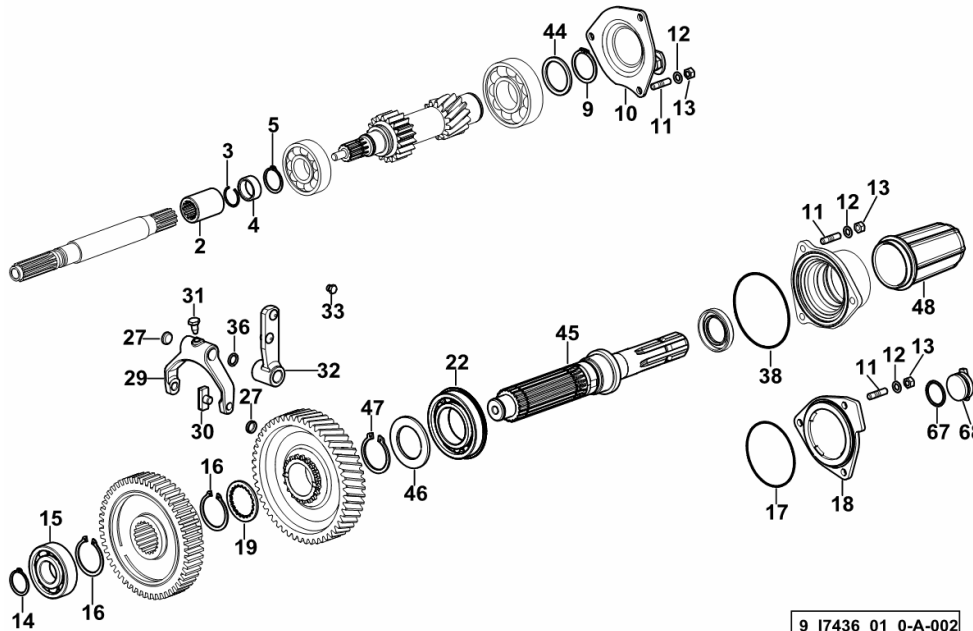


Fig.	Code	QTY	Name
------	------	-----	------

Notes:

[AGROPLUS 320 -> ZKDR4502W0TD01001]

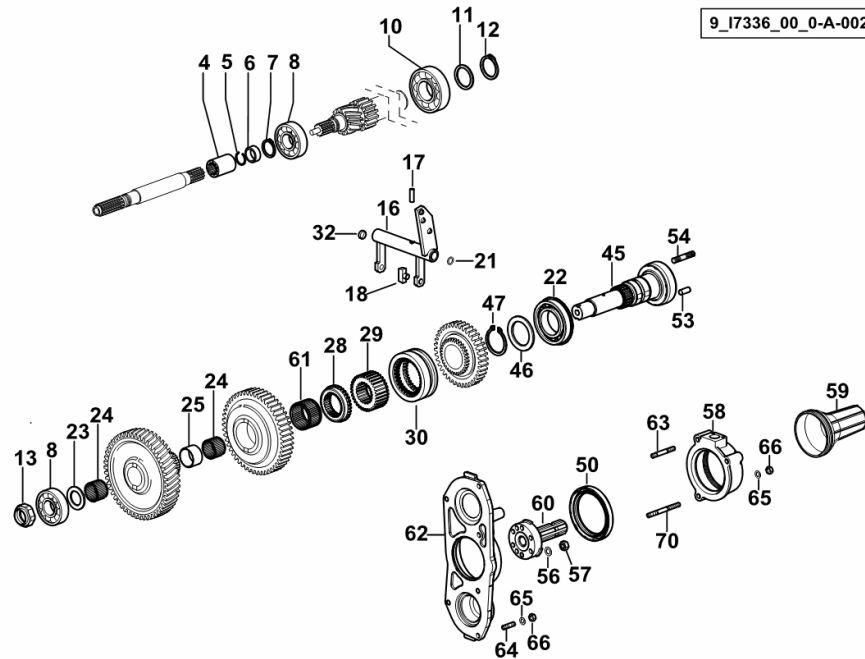
2	0.010.7696.0	1	sleeve Z = 11
3	2.1421.010.7	1	circlip 25
4	2.1549.172.0	1	spacer 24.7 x 31 x 12
5	2.1410.012.1	1	circlip 30
9	2.1410.016.1	1	circlip 40
10	0.008.5181.3/30	1	complete cover
11	2.0422.203.7	9	stud bolt m 8 p.1.25 x 20
12	2.1470.004.2	9	washer 8
13	2.1011.105.2	9	nut m 8 p.1.25
14	2.1410.012.1	1	circlip 30
15	2.2060.009.0	1	ball bearing 30 x 72 x 19
16	2.1410.018.7	2	circlip 45
17	2.1539.025.0/10	1	'o' ring 88.57 x 2.62
18	0.008.4984.2/30	1	cover
19	2.1599.828.0/10	1	thrust plate 41 x 55 x 3
22	2.2999.204.0	1	bearing 50 x 90 x 20
27	2.3171.006.4	5	plug Ø 16
29	0.010.0468.0	1	fork
30	0.255.6463.0	2	shoe
31	2.0399.019.1	2	screw m 8 p.1 x 16
32	0.012.0107.3	1	lever
33	2.3110.428.1	1	plug m 8 p.1 x 10
36	2.1530.028.0	1	'o' ring 11.91 x 2.62
38	2.1532.500.0	1	'o' ring
44	2.1599.414.0	1	snoulder 40 x 50 x 3.0
45	0.014.3979.0/10	1	p.t.o.shaft
46	2.1599.891.0	1	snoulder 45 x 70 x 4
47	2.1412.017.7	1	circlip 45
48	0.154.3655.0/10	1	guard
67	2.1530.079.0	1	'o' ring 29.82 x 2.62
68	0.014.1957.0	1	plug

PTO - 3-SPEED WITH INSERTED END SHAFT 540-750-1000

Fig.	Code	QTY	Name
------	------	-----	------

Notes:

- EXPORT U.S.A. [AGROPLUS 320 -> ZKDR4502W0TD01001]



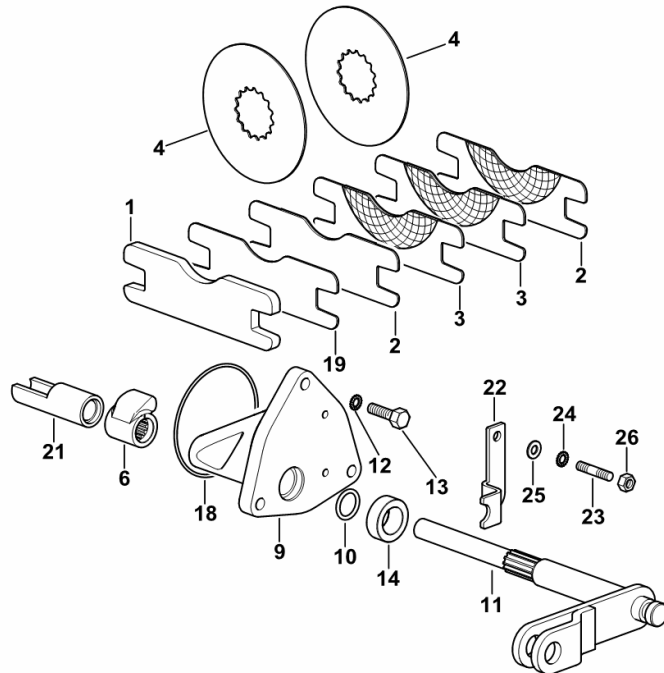
4	0.010.7696.0	1	sleeve Z = 11
5	2.1421.010.7	1	circlip 25
6	2.1549.172.0	1	spacer 24.7 x 31 x 12
7	2.1410.012.1	1	circlip 30
8	2.2999.300.0	2	bearing 30 x 72 x 19
10	2.2062.012.0	1	ball bearing 40 x 90 x 23
11	2.1599.414.0	1	snoulder 40 x 50 x 3.0
12	2.1410.016.1	1	circlip 40
13	2.1219.038.0/40	1	ring nut m 30 p.1.5
16	0.010.7710.3	1	fork
17	2.1631.712.0	1	pin 8x26
18	0.255.6463.0	2	shoe
21	2.1530.028.0	1	'o' ring 11.91 x 2.62
22	2.2999.204.0	1	bearing 50 x 90 x 20
23	2.1589.321.0	1	snoulder 30x47x3
24	2.2770.062.0	2	roller cage 35x40x27
25	0.010.7712.0	1	spacer
28	0.009.3830.3/10	1	gear Z = 32
29	0.010.7701.0	1	hub z=32 z=21
30	0.009.3822.0/20	1	sleeve Z = 32
32	2.3171.006.4	5	plug Ø 16
45	0.014.3780.0	1	shaft
46	2.1599.779.0	1	thrust plate 50x70x4
47	2.1412.019.7	1	circlip 50x3
50	2.1520.043.0	1	oil seal 85 x 110 x 12
53	2.1651.811.0	2	cylindrical plug 10x24
54	2.0432.161.7	6	stud bolt m 10 p.1.5 / p.1.25 x 40
56	2.1470.006.2	6	lock washer 10
57	2.1011.421.2	6	nut m 10 p.1.25
58	0.012.3831.0	1	flange
59	0.008.0757.0	1	guard
60	0.012.3833.0	1	p.t.o.shaft Z = 6
61	2.2999.363.0	1	roller cage
62	0.014.3683.0/10	1	cover
63	2.0422.215.7	1	stud bolt m 8 p.1.25 x 50
64	2.0422.203.7	4	stud bolt m 8 p.1.25 x 20
65	2.1470.004.2	7	washer 8
66	2.1011.105.2	7	nut m 8 p.1.25
70	2.0422.221.7	2	stud bolt m 8 p.1.25 x 80

HAND BRAKE

Fig.	Code	QTY	Name
------	------	-----	------

Notes:

[AGROPLUS 320 -> ZKDR4502W0TD01001]



9_64854_01_0-A-002

1	0.008.5196.0/10	1	plate
2	0.014.4909.2	2	sector
3	0.014.4911.2	2	sector
4	0.008.5191.0	2	brake disc
6	0.014.8511.0/10	1	lever
9	0.008.4978.0/60	1	cover
10	2.1530.065.0	1	'o' ring 25x3.53
11	0.010.0261.2/10	1	h/brake lever
12	2.1475.203.7	3	washer 10.5
13	2.0113.311.7	3	screw m 10 p.1.5 x 30
14	2.1549.203.2/10	1	spacer 25.5x30x40x18.2
18	2.1530.501.0	1	'o' ring 101.27x2.62
19	0.009.9648.0	1	sector
21	0.010.0266.0/20	1	spacer
22	0.010.0264.0	1	small plate
23	2.0422.203.7	2	stud bolt m 8 p.1.25 x 20
24	2.1470.004.2	2	washer 8
25	2.1310.004.3	2	washer 8.4x17
26	2.1011.105.2	2	nut m 8 p.1.25

CLICK HERE TO **DOWNLOAD** THE COMPLETE MANUAL

- Thank you very much for reading the preview of the manual.
- You can download the complete manual from: www.heydownloads.com by clicking the link below



- Please note: If there is no response to CLICKING the link, please download this PDF first and then click on it.

CLICK HERE TO **DOWNLOAD** THE COMPLETE MANUAL