

Agrolux F 70 -> 6001

ACCESSORIES

GENERAL

STANDARD 22.5CC PUMP PARTS KIT.....	0E.00.1
4-WAY AUXILIARY DISTRIBUTOR.....	0E.00.2
4-WAY DISTRIBUTOR EQUIPMENT.....	0E.00.3
CONTROLS FOR 4-WAY AUXILIARY SERVICES CONTROL VALVE.....	0E.00.4
CONTROLS FOR 4-WAY AUXILIARY SERVICES CONTROL VALVE.....	0E.00.5
CONTROLS FOR 4-WAY AUXILIARY SERVICES CONTROL VALVE.....	0E.00.6
6-WAY AUXILIARY DISTRIBUTOR.....	0E.00.7
6-WAY AUXILIARY DISTRIBUTOR.....	0E.00.8
6-WAY DISTRIBUTOR EQUIPMENT.....	0E.00.9
CONTROLS FOR 6-WAY AUXILIARY SERVICES CONTROL VALVE.....	0E.00.10
CONTROLS FOR 6-WAY AUXILIARY SERVICES CONTROL VALVE.....	0E.00.11
CONTROLS FOR 6-WAY AUXILIARY SERVICES CONTROL VALVE.....	0E.00.12
4 - 6 - WAY DISTRIBUTOR EQUIPMENT.....	0E.00.13
4 - 6 - WAY DISTRIBUTOR EQUIPMENT.....	0E.00.14
THREE-POINT COUPLING - TOP/LOWER LINK.....	0E.00.15
THREE-POINT COUPLING - TOP/LOWER LINK - AUTOM.....	0E.00.16
3 POINT HITCH.....	0E.00.17
3-POINT HITCH - ADJUSTABLE RH RODS.....	0E.00.18
3-POINT HITCH WITH HYDRAULIC LIFT ROD.....	0E.00.19
TOWING BAR 2 cat.....	0E.00.20
REAR OSCILLATING HITCH CAT. " A ".....	0E.00.21
FRAME HOOK HOLDER.....	0E.00.22
FRAME HOOK HOLDER GRASSI.....	0E.00.23
REAR TOWING HITCH.....	0E.00.24
REAR TOWING HITCH (GRASSI) CEE.....	0E.00.25
REAR TOWING HITCH (GRASSI) CAT. " C ".....	0E.00.26
FRAME HOOK HOLDER.....	0E.00.27
PIN FOR REAR TOW HOOK.....	0E.00.28
REAR TOWING HITCH.....	0E.00.29
REAR TOWING HITCH CAT: "D" GRASSI.....	0E.00.30
REAR TOWING HITCH CAT: "D2" GRASSI.....	0E.00.31
FRONT TOWING HITCH.....	0E.00.32
BALLAST.....	0E.00.33
FRONT WEIGHT CARRIER.....	0E.00.34
WHEEL BALLAST.....	0E.00.35
WHEEL BALLAST.....	0E.00.36
HYDRAULIC BREAKING FOR TRAILER - ITALY -.....	0E.00.37
HYDRAULIC BREAKING FOR TRAILER - EXPORT F.....	0E.00.38
HYDRAULIC BREAKING FOR TRAILER.....	0E.00.39
HYDRAULIC BREAKING FOR TRAILER.....	0E.00.40

CLICK HERE TO **DOWNLOAD** THE COMPLETE MANUAL

- Thank you very much for reading the preview of the manual.
- You can download the complete manual from: www.heydownloads.com by clicking the link below



- Please note: If there is no response to CLICKING the link, please download this PDF first and then click on it.

CLICK HERE TO **DOWNLOAD** THE COMPLETE MANUAL

Section: ACCESSORIES

6-WAY AUXILIARY DISTRIBUTOR

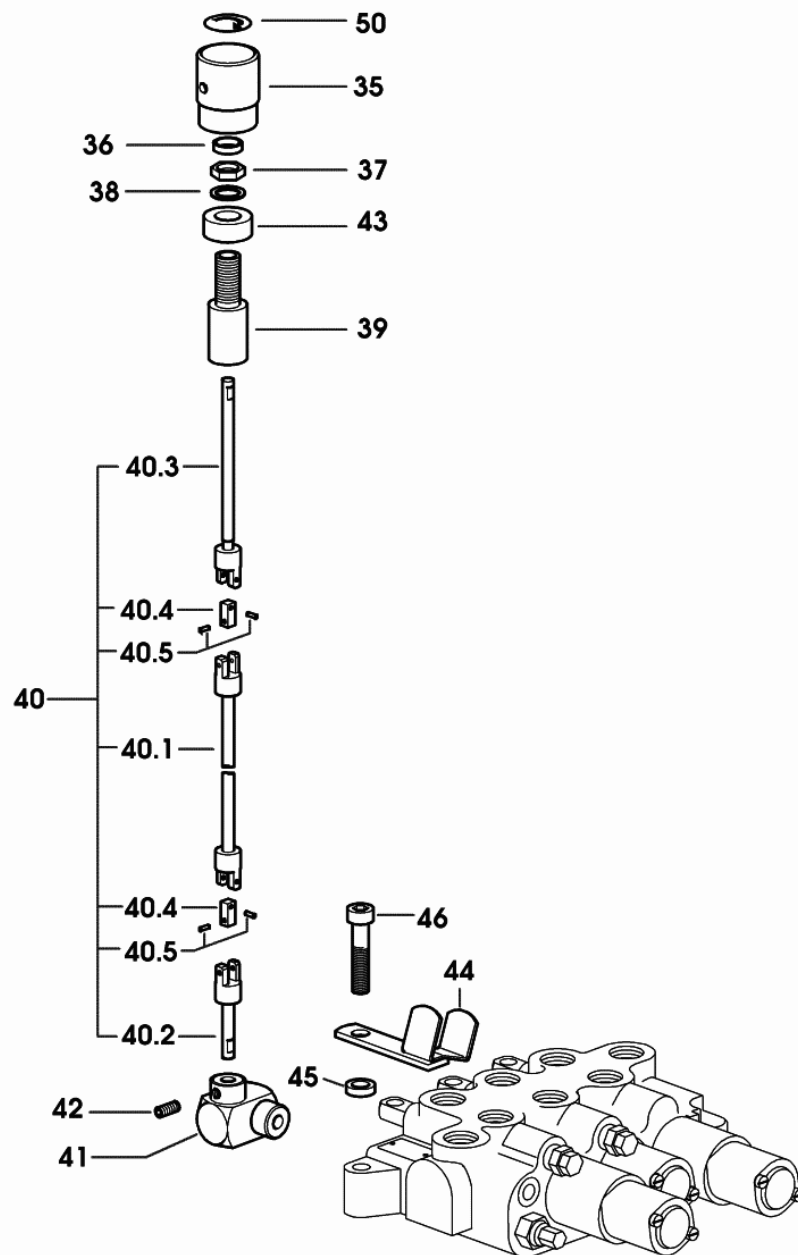
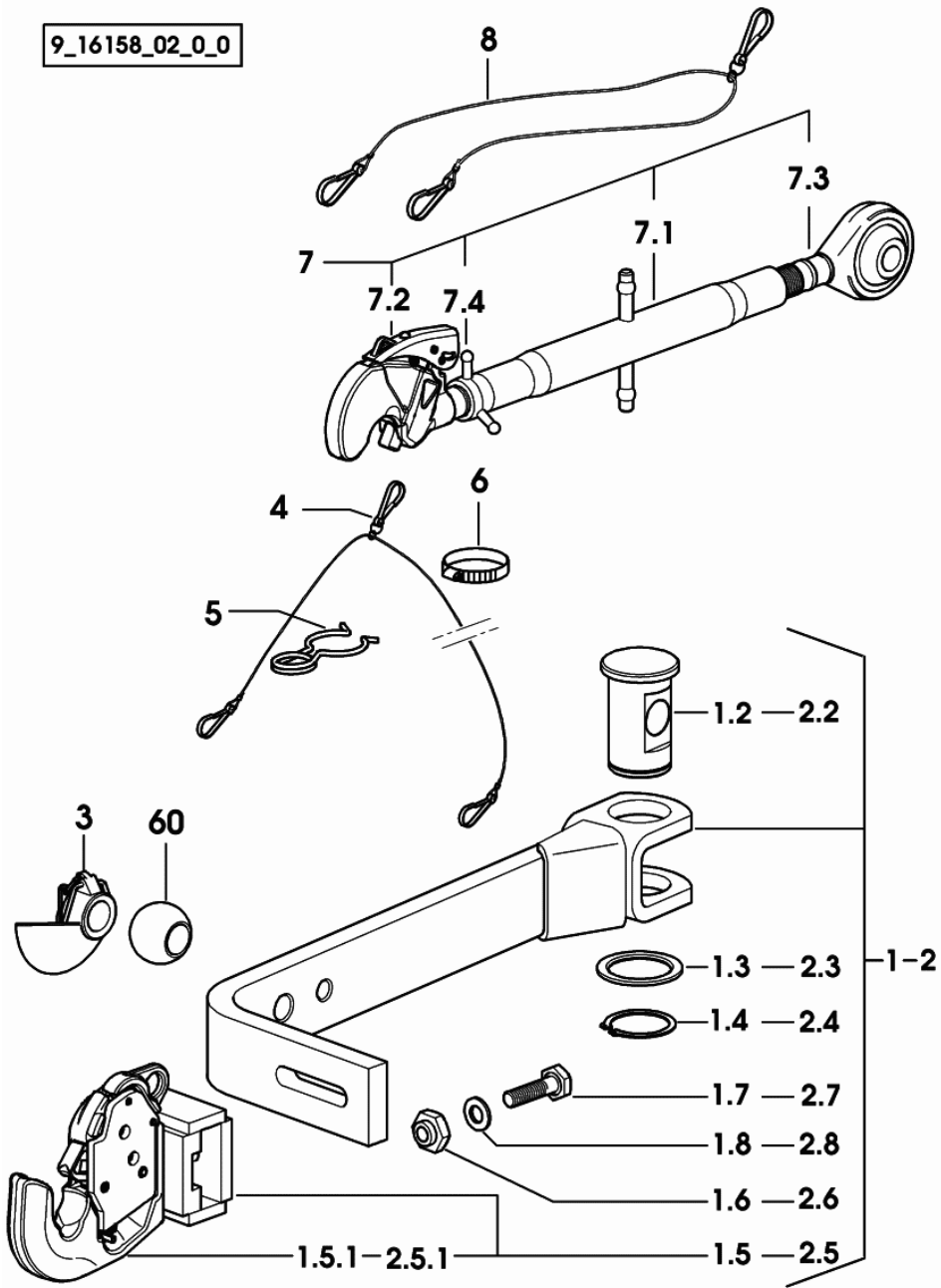


Fig.	Code	QTY	Name
35	0.010.4410.0	1	knob
36	2.1549.345.2	1	spacer 12x14.5x3.5
37	2.1011.307.2	1	nut m 12
38	2.1310.004.2	1	flat washer 8.5
39	0.010.4415.0	1	pin
40	0.013.5888.4	1	rod
40.1	0.013.5888.3	1	rod
40.2	0.011.7951.3	1	pin
40.3	0.011.4340.3/10	1	pin
40.4	0.010.4511.0	2	small block
40.5	2.1655.004.0	4	pin 3x14
41	0.011.4322.4/20	1	transmission
42	2.0512.004.2	2	grain m 5 p.0.8 x 12
43	2.1579.838.2	1	spacer 13.2x25x10
44	0.011.7081.2	1	bracket
45	2.1579.801.2	1	spacer 9x15x4
46	2.0312.214.2	1	screw m 8 p.1.25 x 40
50	0.011.2620.0	1	plate

9_D4188_25_0_B

9_16158_02_0_0



Agrolux F 70 -> 6001

Ref.: 0E.00.16

Section: ACCESSORIES

THREE-POINT COUPLING - TOP/LOWER LINK - AUTOM.

Fig.	Code	QTY	Name
			☞ 0E.00.64
7.3	0.760.3515.3	1	rod sx/lh/li
7.4	0.96014.57.0	1	wing nut m 27 p.3
8	0.009.3534.0	1	cable
60	0.760.5952.0	2	cap Ø 56

Section: ACCESSORIES
REAR TOWING HITCH (GRASSI) CAT. " C "

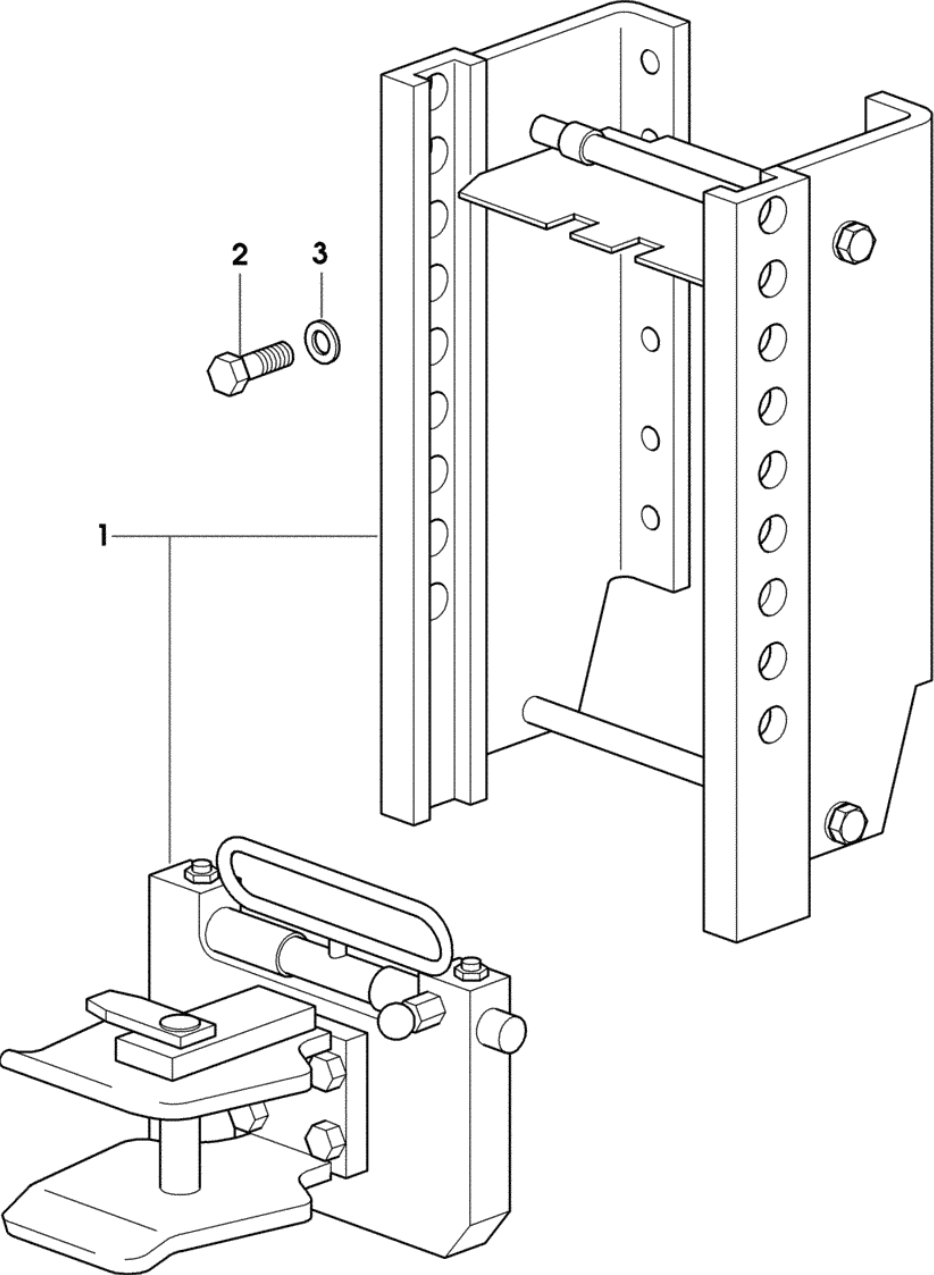
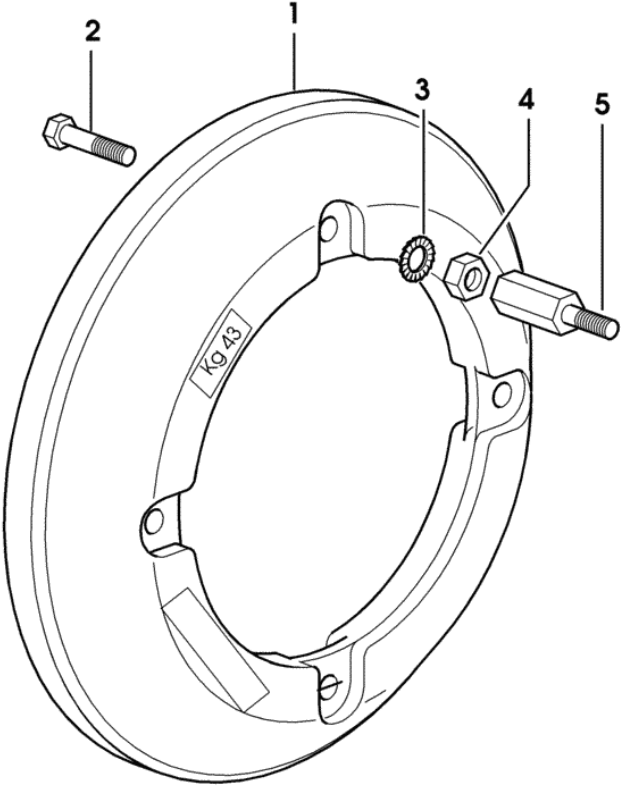


Fig.	Code	QTY	Name
1	0.012.6369.4/10	1	tow hook CAT. " C " COMPONENT PARTS SEE COMPONENTS LIST ☞ 0.012.6374.4/10 ☞ 0.012.6369.4/10 ☞ 0E.00.70
2	2.0113.615.2	12	screw m 16 p.2 x 40
3	2.1475.206.2	12	washer 16

9_21631_70_0_0

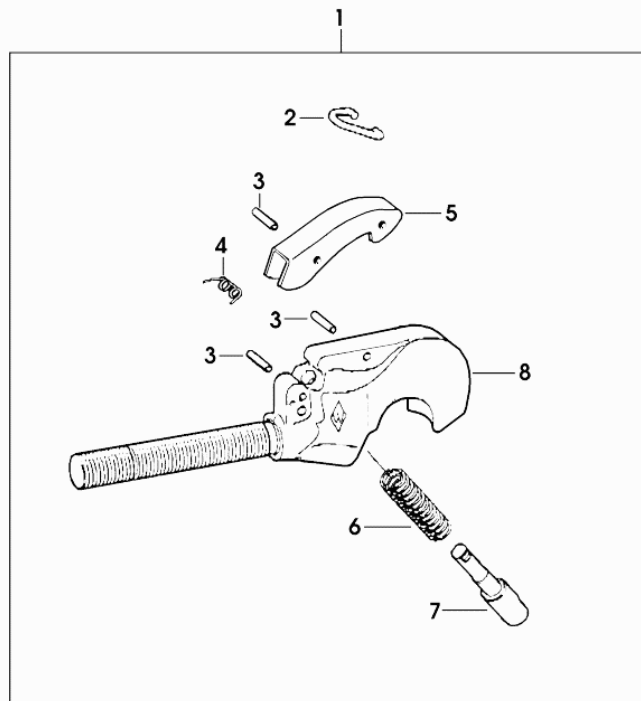
Section: ACCESSORIES
WHEEL BALLAST

Fig.	Code	QTY	Name
1	0.135.5540.0/10	4	ballast 43 Kg
2	2.0122.623.2	8	screw m 16 p.1.5x70
3	2.1470.009.2	16	lock washer 16
4	2.1011.309.2	8	nut m 16 p.1.5
5	0.001.8527.0	8	small column



9_40555_90_0_0

3-POINT HITCH - ADJUSTABLE RH RODS

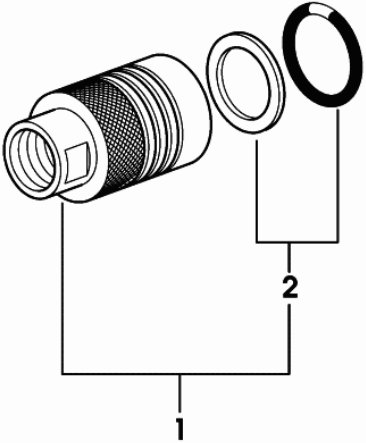


011_3988_3

Fig.	Code	QTY	Name
1	0.011.3988.3	1	rod 2 cat.- WALTERSCHEID
2	0.009.4731.1	1	spring
3	0.009.4677.2	3	pin 6 x 28
4	0.009.4731.2	1	lever
5	0.010.2786.2	1	lever
6	0.010.2787.0	1	spring
7	0.010.2787.1	1	pin
8	0.000.0000.1	0	not serviceable

Section: ACCESSORIES
ENGAGEMENT

Fig.	Code	QTY	Name
1	0.98309.50.3/10	1	coupling
2	04438079	1	seal ring kit



0_98309_50_3_10

Section: BODY WORK

HOOD

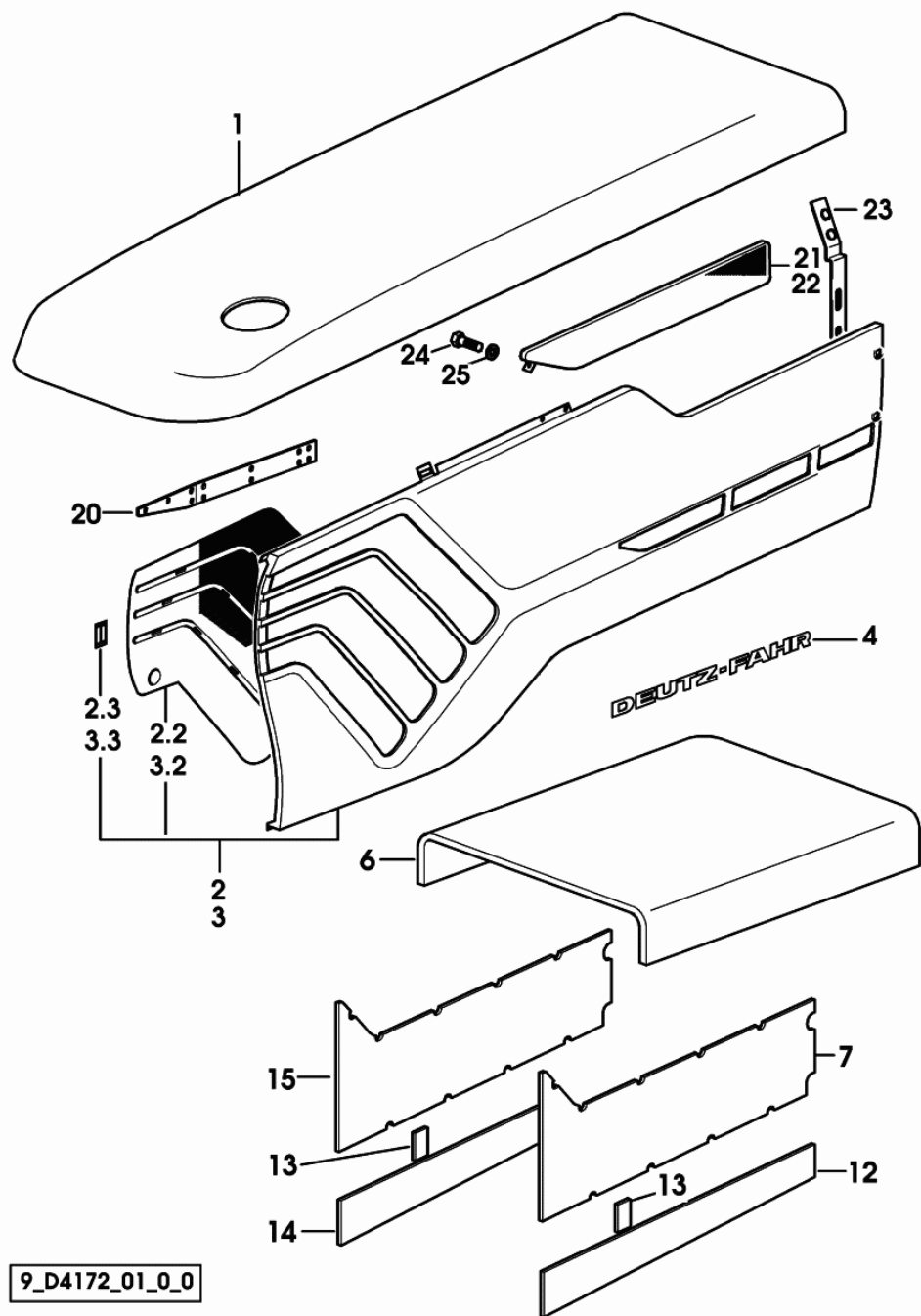
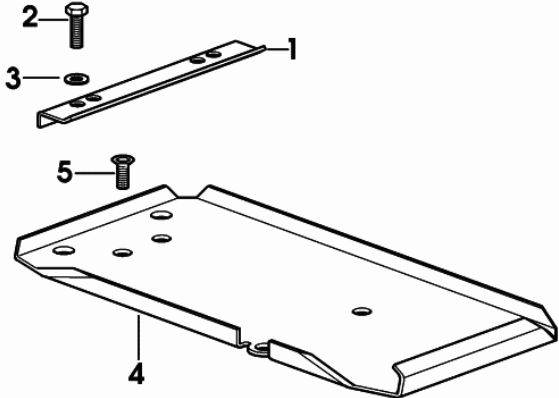


Fig.	Code	QTY	Name
1	0.011.7985.4	1	bonnet
2	0.012.9464.4/10	1	lift hand side panel sx/lh/li
2.2	0.011.8023.0	1	grille
2.3	0.012.1492.0	9	small spring
3	0.012.9462.4/10	1	right h.side panel dx/rh/re
3.2	0.011.8024.0	1	grille
3.3	0.012.1492.0	9	small spring
4	0.010.4265.0	1	plate DEUTZ-FAHR
6	0.013.8869.0	1	panel
7	0.011.8639.0	1	guard
12	0.010.6570.0	1	panel sx/lh/li
13	0.010.6574.0	4	panel
14	0.010.6779.0	1	shield dx/rh/re
15	0.011.8640.0	1	guard
20	0.010.7287.0	1	bracket
21	0.011.9158.2/10	1	grille dx/rh/re
22	0.011.9156.2/20	1	grille sx/lh/li
23	0.010.7123.2/10	2	bracket
24	2.0350.255.3	2	screw m 3.5 x 16 -AB-
25	2.1312.001.2	2	washer 4

9_D4172_01_0_0

Section: BODY WORK
BATTERY SUPPORT

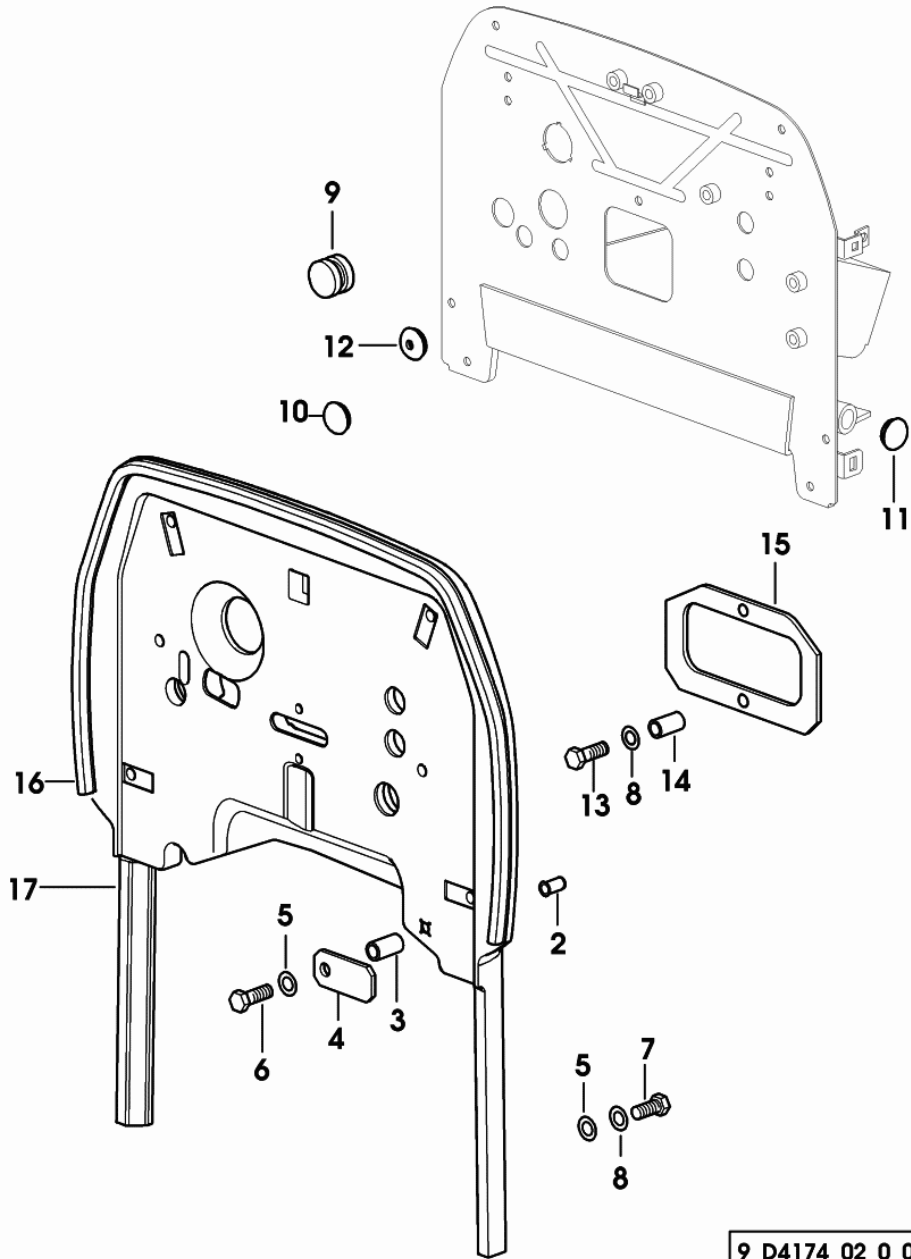
Fig.	Code	QTY	Name
1	0.011.1214.0/20	1	small plate
2	2.0112.213.2	2	screw m 8 p.1.25 x 35
3	2.1310.004.2	2	flat washer 8.5
4	0.010.8251.3/10	1	battery support
5	2.0342.303.6	3	screw m 8 p. 1.25x16



9_70573_00_0_0

Section: BODY WORK
INSTRUMENT PANEL SURROUND

Fig.	Code	QTY	Name
2	2.1142.010.2	4	insert m 6
3	2.1549.391.2	4	spacer 8.4x12x25
4	0.013.4116.0	4	small plate
5	2.1310.002.2	10	washer 6.6, d125
6	2.0112.019.2	6	screw m 6 p.1 x 50
7	2.0112.005.2	4	screw m 6 p.1 x 16
8	2.1470.002.2	6	washer 6, d128
9	2.3199.115.0	1	plug 38x12
10	0.010.1453.0	1	plug 22
11	0.9200.178.0	4	plug Ø 17
12	2.6569.052.0	1	rubber plug
13	2.0112.017.2	2	screw m 6 p.1x45
14	2.1549.440.2	2	spacer
15	0.011.3907.3	1	flange
16	0.013.6950.0	0	gasket
17	0.013.6771.0/10	1	frame



9_D4174_02_0_0

101

Section: BODY WORK
SPEED DATA PLATES MPH

Fig.	Code	QTY	Name
101	0.000.0000.1	0	not serviceable
101.10	2.9929.982.0	1	plate 18 MPH
101.11	2.9929.983.0	1	plate 18 MPH
101.12	2.9929.984.0	1	plate 18 MPH, 30 + 15
101.13	2.9929.985.0	1	plate 18 MPH
101.14	2.9929.986.0	1	plate 25 MPH
101.15	2.9929.987.0	1	plate 25 MPH, 20 + 10
101.16	2.9929.988.0	1	plate 25 MPH, 30 + 15
101.17	2.9929.989.0	1	plate 25 MPH
101.18	2.9929.990.0	1	plate 25 MPH, 45 + 45 ECO

101.10

ENGINE	1400	1800	1967	2200	RPM
1L	0.42	0.51	0.54	0.69	0.77
2L	0.87	0.91	0.96	1.04	1.14
3L	1.06	1.28	1.36	1.45	1.60
4L	1.67	2.03	2.15	2.21	2.38
5L	2.31	2.81	2.99	3.00	3.44
6L	3.04	3.71	3.93	3.96	4.42
7L	3.87	4.68	4.72	5.16	5.26
8L	4.74	5.75	5.89	7.40	7.45
9L	5.62	6.84	6.92	10.3	11.5
10L	6.51	8.12	8.18	14.4	15.7
P	384	494	540	604	
T	485	623	681	762	
O	685	881	963	1077	

4xMINIx2 (18Mph)

101.11

ENGINE	1400	1800	1967	2200	RPM
1L	0.42	0.51	0.54	0.69	0.77
2L	0.87	0.91	0.96	1.04	1.14
3L	1.06	1.28	1.36	1.45	1.60
4L	1.67	2.03	2.15	2.21	2.38
5L	2.31	2.81	2.99	3.00	3.44
6L	3.04	3.71	3.93	3.96	4.42
7L	3.87	4.68	4.72	5.16	5.26
8L	4.74	5.75	5.89	7.40	7.45
9L	5.62	6.84	6.92	10.3	11.5
10L	6.51	8.12	8.18	14.4	15.7
P	384	494	540	604	
T	485	623	681	762	
O	685	881	963	1077	

5xMINIx2 (18Mph)

101.12

ENGINE	1400	1800	1967	2200	RPM
1L	0.42	0.51	0.54	0.69	0.77
2L	0.87	0.91	0.96	1.04	1.14
3L	1.06	1.28	1.36	1.45	1.60
4L	1.67	2.03	2.15	2.21	2.38
5L	2.31	2.81	2.99	3.00	3.44
6L	3.04	3.71	3.93	3.96	4.42
7L	3.87	4.68	4.72	5.16	5.26
8L	4.74	5.75	5.89	7.40	7.45
9L	5.62	6.84	6.92	10.3	11.5
10L	6.51	8.12	8.18	14.4	15.7
P	384	494	540	604	
T	485	623	681	762	
O	685	881	963	1077	

5xMINIx3 (18Mph)

101.13

ENGINE	1400	1800	1967	2200	RPM
1L	0.42	0.51	0.54	0.69	0.77
2L	0.87	0.91	0.96	1.04	1.14
3L	1.06	1.28	1.36	1.45	1.60
4L	1.67	2.03	2.15	2.21	2.38
5L	2.31	2.81	2.99	3.00	3.44
6L	3.04	3.71	3.93	3.96	4.42
7L	3.87	4.68	4.72	5.16	5.26
8L	4.74	5.75	5.89	7.40	7.45
9L	5.62	6.84	6.92	10.3	11.5
10L	6.51	8.12	8.18	14.4	15.7
P	384	494	540	604	
T	485	623	681	762	
O	685	881	963	1077	

5xHMLx3 (18Mph)

101.14

ENGINE	1400	1800	1967	2200	RPM
1L	0.65	0.68	0.84	0.87	0.91
2L	0.98	1.07	1.13	1.28	1.34
3L	1.42	1.70	1.80	2.19	1.97
4L	2.22	2.66	2.86	3.46	3.12
5L	3.07	3.72	3.96	4.78	4.31
6L	4.06	5.00	5.25	7.39	6.83
7L	5.11	6.25	6.51	9.19	8.42
8L	6.32	7.78	8.07	11.3	10.4
9L	7.69	9.41	9.72	13.6	12.5
10L	9.13	11.1	11.4	16.1	14.7
P	384	494	540	604	
T	485	623	681	762	
O	685	881	963	1077	

4xMINIx2 (25Mph)

101.15

ENGINE	1400	1800	1967	2200	RPM
1L	0.36	0.39	0.32	0.37	0.39
2L	0.60	0.57	1.03	1.25	1.12
3L	1.14	1.28	1.47	1.77	1.80
4L	1.59	1.60	1.54	2.48	2.79
5L	2.22	2.68	2.68	3.12	3.48
6L	3.07	3.72	3.69	4.31	5.23
7L	4.06	5.00	5.00	5.81	6.88
8L	5.11	6.25	6.25	7.39	8.42
9L	6.32	7.78	7.78	9.19	10.4
10L	7.69	9.41	9.41	11.3	12.5
P	384	494	540	604	
T	485	623	681	762	
O	685	881	963	1077	

5xMINIx2 (25Mph)

101.16

MOTORS	1400	1800	1967	2200	RPM
1L	0.60	0.61	0.67	0.67	0.65
2L	0.93	0.92	0.83	0.83	0.81
3L	1.34	1.38	1.47	1.47	1.45
4L	1.99	1.98	1.94	1.94	1.92
5L	2.82	2.88	2.88	2.88	2.86
6L	3.87	3.91	3.83	3.83	3.81
7L	5.11	5.19	5.17	5.17	5.15
8L	6.51	6.57	6.57	6.57	6.55
9L	8.07	8.12	8.12	8.12	8.10
10L	9.72	9.78	9.78	9.78	9.76
P	384	494	540	604	
T	485	623	681	762	
O	685	881	963	1077	

5xMINIx3 (25Mph)

101.17

ENGINE	1400	1800	1967	2200	RPM
1L	0.52	0.53	0.53	0.53	0.53
2L	0.83	0.83	0.83	0.83	0.83
3L	1.13	1.13	1.13	1.13	1.13
4L	1.53	1.53	1.53	1.53	1.53
5L	2.03	2.03	2.03	2.03	2.03
6L	2.63	2.63	2.63	2.63	2.63
7L	3.33	3.33	3.33	3.33	3.33
8L	4.13	4.13	4.13	4.13	4.13
9L	5.03	5.03	5.03	5.03	5.03
10L	6.03	6.03	6.03	6.03	6.03
P	384	494	540	604	
T	485	623	681	762	
O	685	881	963	1077	

5xHMLx3 (25Mph)

101.18

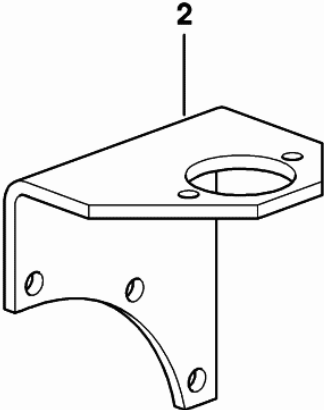
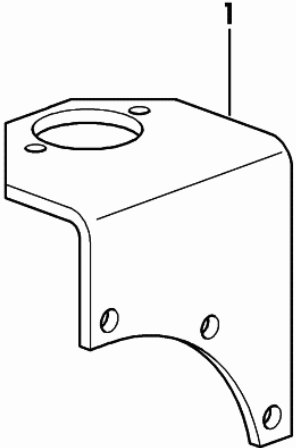
ENGINE	1400	1800	1967	2200	RPM
1L	0.52	0.53	0.53	0.53	0.53
2L	0.83	0.83	0.83	0.83	0.83
3L	1.13	1.13	1.13	1.13	1.13
4L	1.53	1.53	1.53	1.53	1.53
5L	2.03	2.03	2.03	2.03	2.03
6L	2.63	2.63	2.63	2.63	2.63
7L	3.33	3.33	3.33	3.33	3.33
8L	4.13	4.13	4.13	4.13	4.13
9L	5.03	5.03	5.03	5.03	5.03
10L	6.03	6.03	6.03	6.03	6.03
P	384	494	540	604	
T	485	623	681	762	
O	685	881	963	1077	

5xHMLx3 (25Mph ECO)

9_D4174_00_0_C

Section: BODY WORK
SUPPORTS

Fig.	Code	QTY	Name
1	0.013.5814.0	1	bracket dx/rh/re
2	0.013.5815.0	1	bracket sx/lh/li

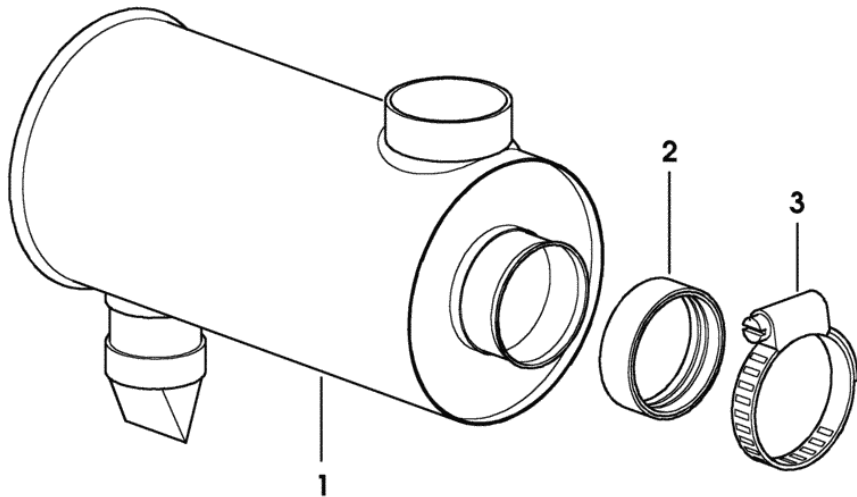
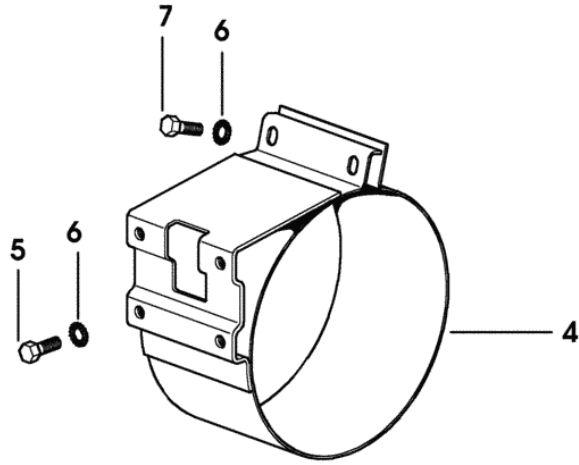


9_D4176_06_0_02

Section: BODY WORK

FUEL SUPPLY - AIR FILTER 8 "

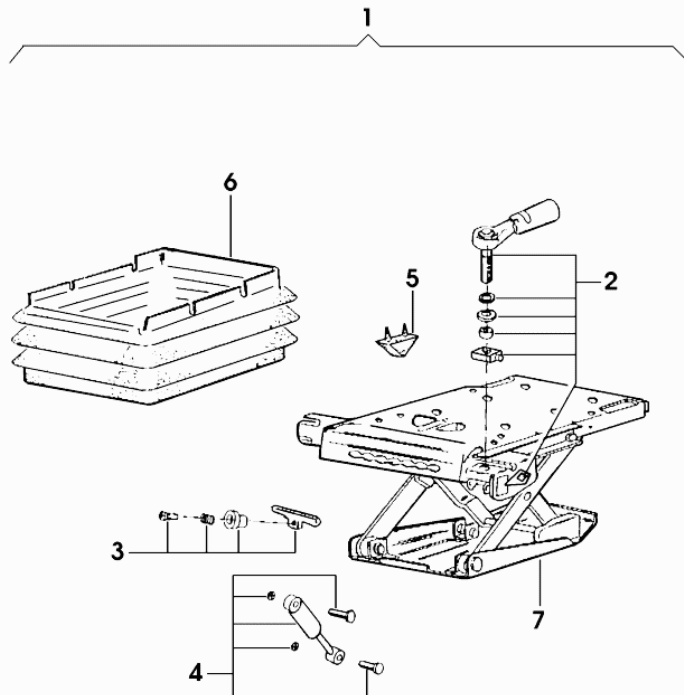
Fig.	Code	QTY	Name
1	2.4249.600.0	1	air filter 8 " COMPONENT PARTS SEE COMPONENTS LIST ☞ 2.4249.600.0 ☞ 07.00.22
2	0.293.8152.0	1	ring
3	2.6850.014.0	1	clamp 60-115
4	0.011.8204.3	1	support
5	2.0112.207.2	4	screw m 8 p 1.25 x 20
6	2.1470.004.2	6	washer 8
7	2.0112.211.2	2	screw m 8 p.1.25 x 30



9_19381_01_0_0

Section: BODY WORK
SEAT SPRINGING

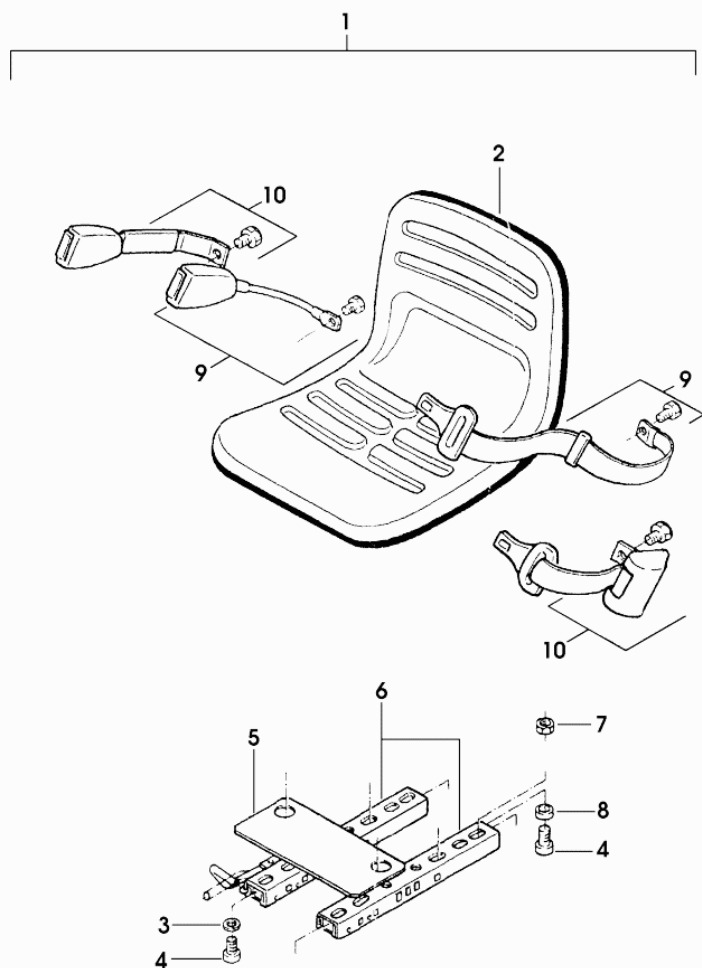
Fig.	Code	QTY	Name
1	0.010.5356.4	1	seat springs KAB XH2
2	0.010.2228.0	1	handle
3	0.010.2228.1	1	accessories
4	0.010.2228.2	1	shoch.absorber
5	0.010.2229.0	1	stopper
6	0.010.2229.1	1	guard
7	0.000.0000.1	0	not serviceable



010_5356_4

Section: BODY WORK
SEAT-COMPONENTS

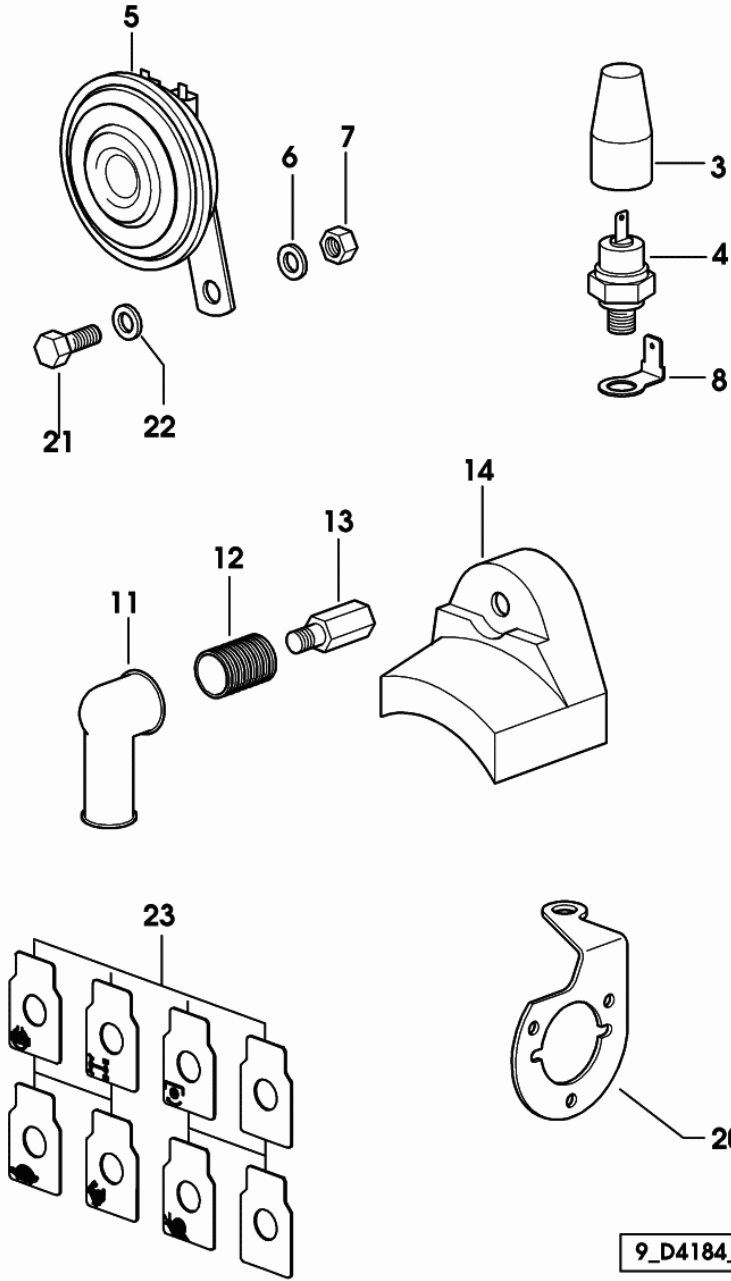
Fig.	Code	QTY	Name
1	0.000.0000.1	0	not serviceable
2	0.010.2961.1	1	seat
3	0.000.0000.1	0	not serviceable
4	0.010.2405.0	5	pin m 8 x 16
5	0.010.2961.2	1	plate
6	0.010.2962.0	1	seat guide
7	0.010.2401.0	1	nut m 8
8	0.010.2962.1	1	bushing
9	0.010.2962.2	1	safety belt
10	0.010.2963.0	1	safety belt



011_2161_4_A

Section: ELECTRIC AL SYSTEM
ELECTRIC STARTING SYSTEM

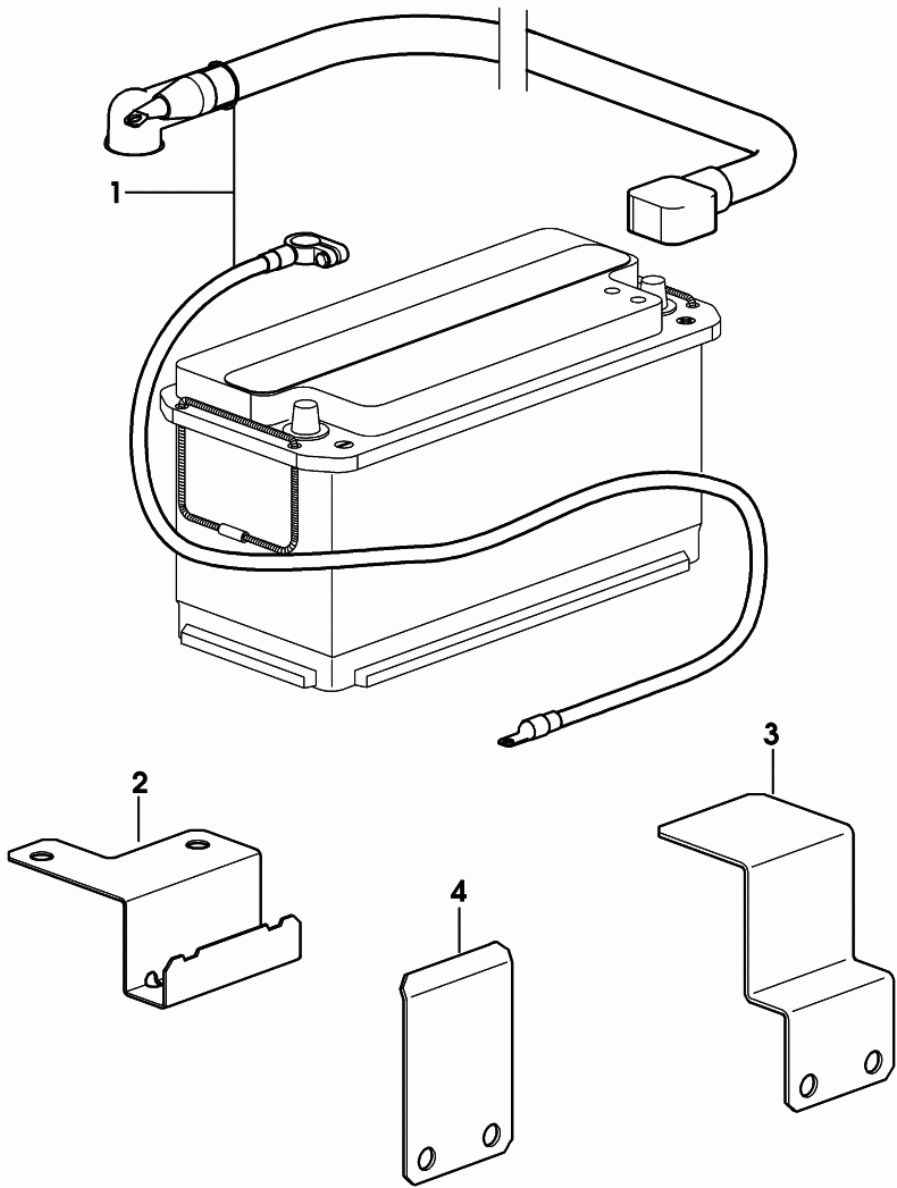
Fig.	Code	QTY	Name
3	2.6519.029.0	1	cap
4	2.7099.320.0/10	1	pressure switch
5	2.8419.006.0	1	horn
6	2.1499.057.1	1	washer 8.2x23
7	2.1011.105.2	1	nut m 8 p.1.25
8	0.164.8450.0	1	terminal
11	2.6519.024.0	1	cap
12	0.008.0378.0	1	cover
13	0.008.0616.0	1	pipe fitting
14	0.008.0391.0	1	cover
20	0.010.8921.0/10	1	bracket
21	2.0112.205.2	2	screw m 8 p.1.25 x 16
22	2.1310.004.2	2	flat washer 8.5
23	0.011.7710.0	1	plate



9_D4184_00_0_0

BATTERY LEADS

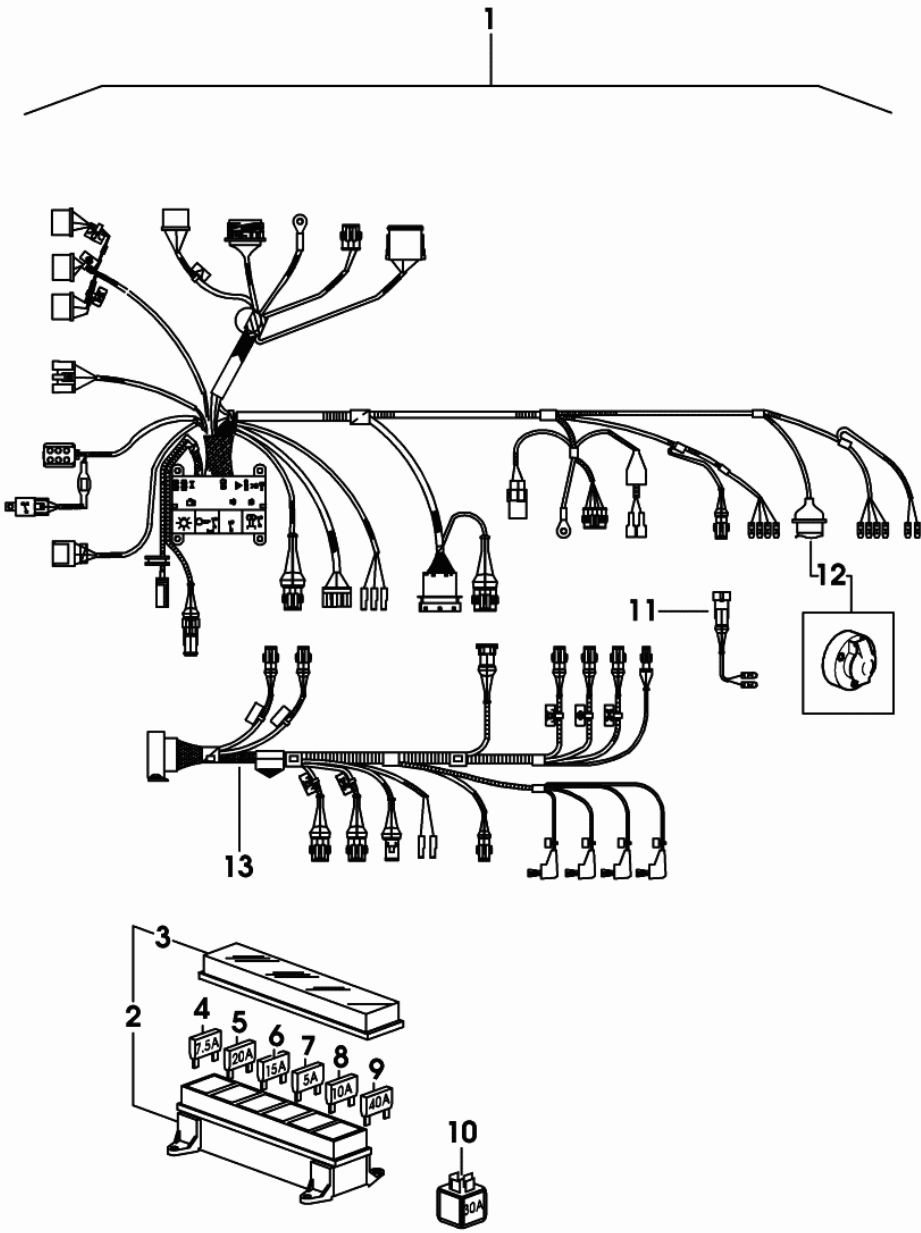
Fig.	Code	QTY	Name
1	0.010.6708.3/20	1	wire COMPONENT PARTS SEE COMPONENTS LIST ☞ 0.010.6708.3/20 ☞ 08.00.53
2	0.013.9255.0	1	support
3	0.013.8993.0/10	1	bracket
4	0.013.5503.0	1	bracket 1022 <- X Agrolux F 50 6021 <- X Agrolux F 60 6025 <- X Agrolux F 70 6118 <- X Agrolux F 80
4	0.013.5311.0	1	bracket -> 1023 X Agrolux F 50 -> 6022 X Agrolux F 60 -> 6026 X Agrolux F 70 -> 6119 X Agrolux F 80



9_B6184_07_0_0

Section: ELECTRIC AL SYSTEM
ELECTRICAL SYSTEM

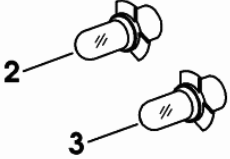
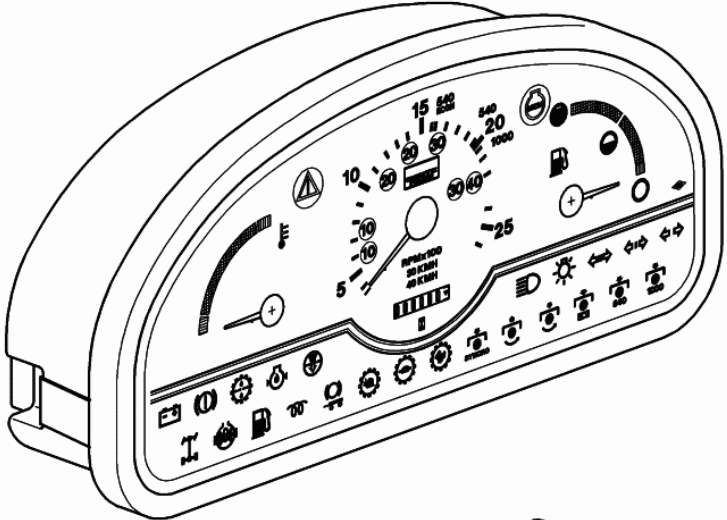
Fig.	Code	QTY	Name
1	0.013.5871.4/20	1	electrical system
2	0.000.0000.1	1	not serviceable
3	0.010.2754.0	1	cover
4	0.010.2225.2	1	fuse 7.5 A unival
5	0.010.2088.1	2	fuse 20 A unival
6	0.010.2088.0	2	fuse 15 A unival
7	0.010.2225.1	1	fuse 5 A unival
8	0.010.2087.2	7	fuse 10 A unival
9	0.010.2089.1	3	fuse 40 A maxival
10	0.900.0042.3	1	relay 12V - 30A
11	0.900.0031.2	1	wire
12	0.900.0017.0	1	socket
13	0.900.0032.3	1	wire



0_013_5871_4_20

Section: ELECTRIC AL SYSTEM
DASHBOARD BOX

Fig.	Code	QTY	Name
1	2.8339.246.0	1	controle panel
2	0.900.0018.9	1	lamp 12v - 1.2W - GREEN COLOUR
3	0.900.0018.8	1	lamp 12V - 2W - ORANGE

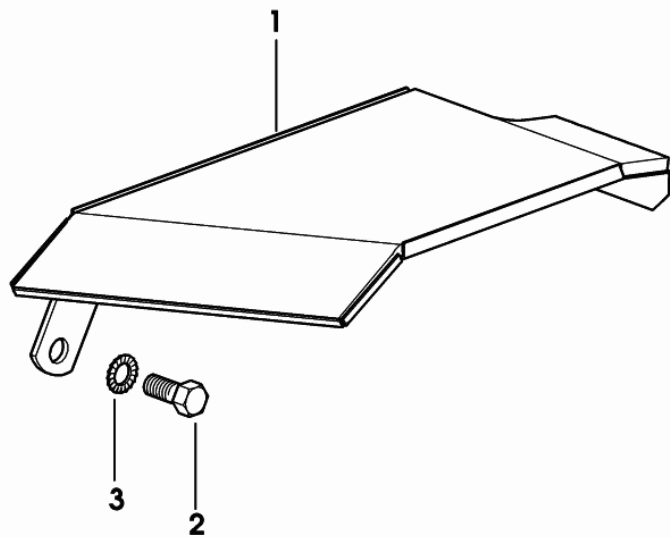


2_8339_246_0

Section: ENGINE

METAL SILENCER GUARD

Fig.	Code	QTY	Name
1	0.013.9151.3	1	shield
2	2.0112.304.2	1	screw m 10 p.1.5x14
3	2.1470.006.2	1	lock washer 10



9_D0756_02_0_0

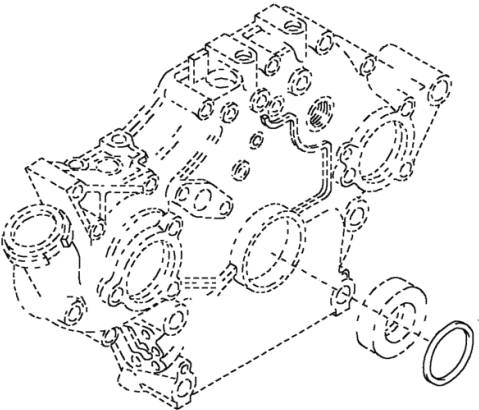
Section: ENGINE
SEALING

Fig.	Code	QTY	Name
------	------	-----	------

Engine Serial Numbers:
 8684358 8684359 8690228 8690229 8690230 8690231 8690232 8690233 8693092 8693093 8693094 8693095
 8693096 8693097 8693098 8693109 8694771 8694772 8694773 8694774 8694775 8705037 8705038 8705039
 8705040 8705041 8705042 8705043 8705044 8705045 8705046 8705047 8706182 8706183 8706184 8706185
 8706186 8730098 8730099 8730100 8730101 8730102 8730643 8730644 8730645 8730646 8730647 8731219
 8731220 8731221 8731222 8731223 8731224 8731225 8731226 8731227 8731228

1	02235729	1	spacer NO SPARE PART NO SPARE PART
---	----------	---	--

001 ©

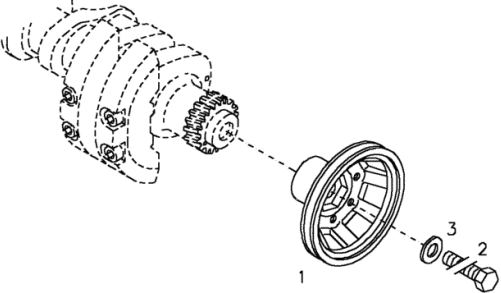
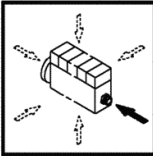


Section: ENGINE
V-GROOVED PULLEY

Fig.	Code	QTY	Name
------	------	-----	------

Engine Serial Numbers:
 8684358 8684359 8690228 8690229 8690230 8690231 8690232 8690233 8693092 8693093 8693094 8693095
 8693096 8693097 8693098 8693109 8694771 8694772 8694773 8694774 8694775 8705037 8705038 8705039
 8705040 8705041 8705042 8705043 8705044 8705045 8705046 8705047 8706182 8706183 8706184 8706185
 8706186 8730098 8730099 8730100 8730101 8730102 8730643 8730644 8730645 8730646 8730647 8731219
 8731220 8731221 8731222 8731223 8731224 8731225 8731226 8731227 8731228

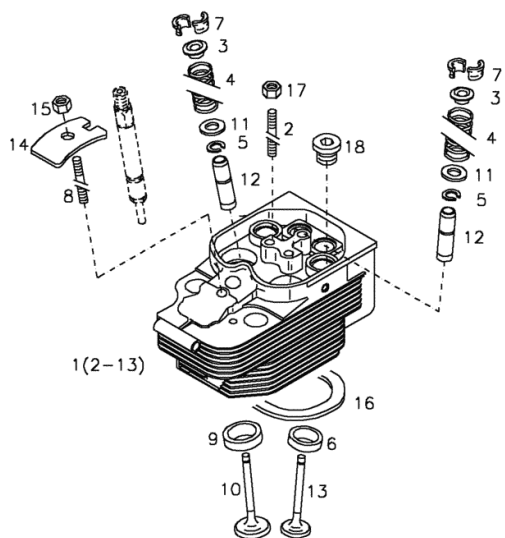
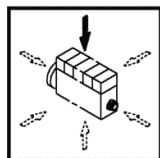
1	04158476	1	pulley SINGLE-GROOVE
2	01178931	1	screw
001 © 3	01216128	1	washer



Section: ENGINE
CYLINDER HEAD

Fig.	Code	QTY	Name
961	04157663	0	shim mm 1.90
962	04157655	0	shim mm 1.15
963	04157657	0	shim mm 1.25
964	04157658	0	shim mm 1.30
965	04157659	0	shim mm 1.35
966	04157466	0	shim mm 1.40
967	04157468	0	shim mm 1.50
968	04157470	0	shim mm 1.60
969	04157472	0	shim mm 1.70
970	04157661	0	shim mm 1.80
971	04157664	0	shim mm 1.95
972	04157665	0	shim mm 2.00

000 ©

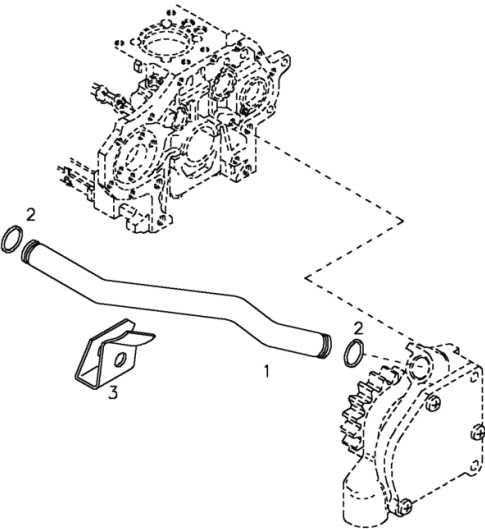
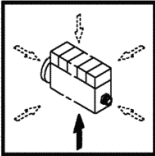


Section: ENGINE
PRESSURE OIL LINE

Fig.	Code	QTY	Name
------	------	-----	------

Engine Serial Numbers:
 8684358 8684359 8690228 8690229 8690230 8690231 8690232 8690233 8693092 8693093 8693094 8693095
 8693096 8693097 8693098 8693109 8694771 8694772 8694773 8694774 8694775 8705037 8705038 8705039
 8705040 8705041 8705042 8705043 8705044 8705045 8705046 8705047 8706182 8706183 8706184 8706185
 8706186 8730098 8730099 8730100 8730101 8730102 8730643 8730644 8730645 8730646 8730647 8731219
 8731220 8731221 8731222 8731223 8731224 8731225 8731226 8731227 8731228

1	02239984	1	tube
2	01174605	2	'o' ring H 002927- 14,5 X 3 -ACM-1-70
000 © 3	02234165	1	spring



CLICK HERE TO **DOWNLOAD** THE COMPLETE MANUAL

- Thank you very much for reading the preview of the manual.
- You can download the complete manual from: www.heydownloads.com by clicking the link below



- Please note: If there is no response to CLICKING the link, please download this PDF first and then click on it.

CLICK HERE TO **DOWNLOAD** THE COMPLETE MANUAL

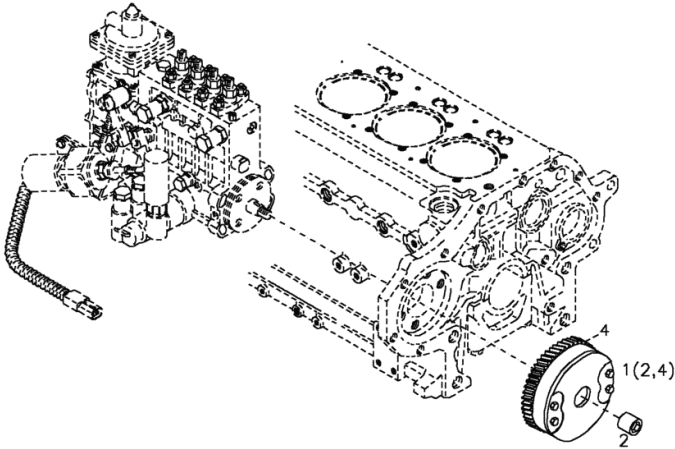
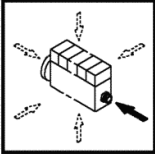
Section: ENGINE
INJECTION CONTROL

Fig.	Code	QTY	Name
------	------	-----	------

Engine Serial Numbers:
 8705037 8705038 8705039 8705040 8705041 8705042 8705043 8705044 8705045 8705046 8705047 8706182
 8706183 8706184 8706185 8706186 8730098 8730099 8730100 8730101 8730102 8730643 8730644 8730645
 8730646 8730647 8731219 8731220 8731221 8731222 8731223 8731224 8731225 8731226 8731227 8731228

1	04235692	1	gear WITH ITEM (2,4)
2	04234107	1	nut
4	04234583	1	gear

000 ©



Section: ENGINE

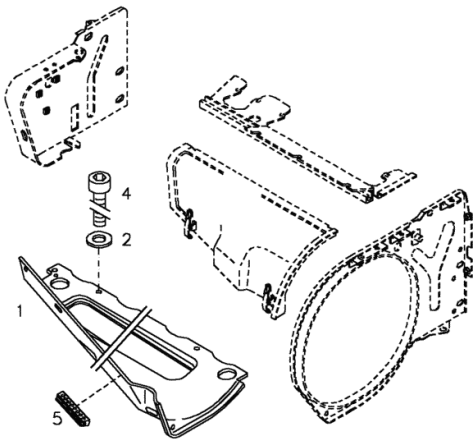
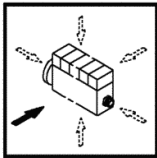
AIR INTAKE HOSE LOWER PART

Fig.	Code	QTY	Name
------	------	-----	------

Engine Serial Numbers:
8684358 8684359

1	04234538	1	air duct hood
2	02404201	1	washer
4	01144541	1	screw ISO 004762- M 8 X 16 - 8.8-OELGESCH
5	02101802	1	rubber

001 ©



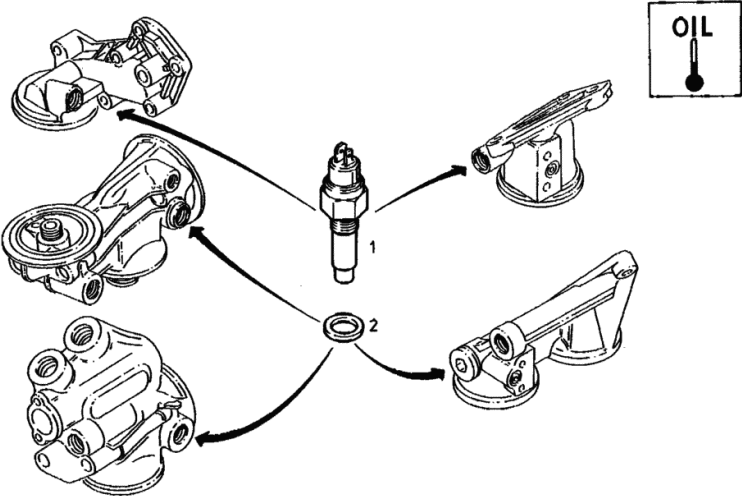
Section: ENGINE
THERMOSTAT

Fig.	Code	QTY	Name
------	------	-----	------

Engine Serial Numbers:
 8694771 8694772 8694773 8694774 8694775 8705037 8705038 8705039 8705040 8705041 8705042 8705043
 8705044 8705045 8705046 8705047 8706182 8706183 8706184 8706185 8706186 8730098 8730099 8730100
 8730101 8730102 8730643 8730644 8730645 8730646 8730647 8731219 8731220 8731221 8731222 8731223
 8731224 8731225 8731226 8731227 8731228

1	01173672	1	transmission H 820313-D1 -130
2	01118688	1	ring 14x17 DIN 007603-A 14 X 18 -CU

001 ©



0501 8356

Agrolux F 70 -> 6001

FRONT AND REAR P.T.O.

GENERAL

P.T.O. - CLUTCH TRANSMISSION SHAFT.....	05.00.1
P.T.O. - PUMP CONTROL.....	05.00.2
P.T.O. - HYDRAULIC CLUTCH.....	05.00.3
P.T.O. - WITH N° 540 - 750.....	05.00.4
P.T.O. - 540-750 - WITH INSERTED END SHAFTS EXPORT U.S.A.....	05.00.5
P.T.O. - WITH N° 540 - 750 + SINCRO.....	05.00.6
P.T.O. - 540-750 - WITH INSERTED END SHAFTS + SINCRO.....	05.00.7
P.T.O. - WITH N° 540 - 1000.....	05.00.8
P.T.O. - 540 -1000 WITH INSERTED END SHAFTS.....	05.00.9
P.T.O. - 540-1000 - WITH INSERTED END SHAFTS.....	05.00.10
P.T.O. - WITH N° 540 - 1000 + SINCRO.....	05.00.11
P.T.O. - 540-1000 - WITH INSERTED END SHAFTS + SINCRO.....	05.00.12
P.T.O. - 540 -1000 WITH INSERTED END SHAFTS EXPORT U.S.A. + SINCRO.....	05.00.13
P.T.O. - 2 SPEED TYPE - FIXED END SHAFT.....	05.00.14
P.T.O. - 2 SPEED TYPE + SINCRO - FIXED END SHAFT.....	05.00.15
P.T.O. - 2 SPEED TYPE.....	05.00.17
P.T.O. - 3 SPEED TYPE.....	05.00.18
P.T.O. - 3 SPEED TYPE - FIXED END SHAFT.....	05.00.19
PTO - 3-SPEED WITH INSERTED END SHAFT.....	05.00.20
PTO - 3-SPEED WITH INSERTED END SHAFT.....	05.00.21
COVER FOR TYPES WITHOUT SYNCHRO PTO.....	05.00.22
P.T.O. - 2 SPEED TYPE + SINCRO.....	05.00.23
P.T.O. - 2 SPEED TYPE.....	05.00.24
P.T.O. - 2 SPEED TYPE + SINCRO.....	05.00.25
P.T.O. - EXTERNAL CONTROLS 540 - 750.....	05.00.26
P.T.O. - EXTERNAL CONTROLS 540 - 750 + SINCRO.....	05.00.27
P.T.O. - EXTERNAL CONTROLS 540-1000.....	05.00.28
P.T.O. - EXTERNAL CONTROLS 540 - 1000 + SYNCRO.....	05.00.29
P.T.O. - EXTERNAL CONTROLS 540 - 750 - 1000.....	05.00.30
ROAD P.T.O. SHAFT.....	05.00.31
PTO - PARTS SET WITH STANDARD SEALS.....	05.00.32
PTO - PARTS SET WITH WATER PROOF SEALS.....	05.00.33
PTO - SEAL RING FOR INSERTED END SHAFT - STANDARD VERSION.....	05.00.34
PTO - SEAL RING FOR INSERTED END SHAFT - WATER PROOF VERSION.....	05.00.35
P.T.O. GUARD.....	05.00.36
P.T.O. GUARD EXPORT GB - WITH OSCILLATING REAR TWO HOOK CAT. A.....	05.00.37
P.T.O. GUARD EXPORT GB.....	05.00.38
P.T.O. - HYDRAULIC CLUTCH.....	0.011.9686.4/30.A

Section: FRONT AND REAR P.T.O.

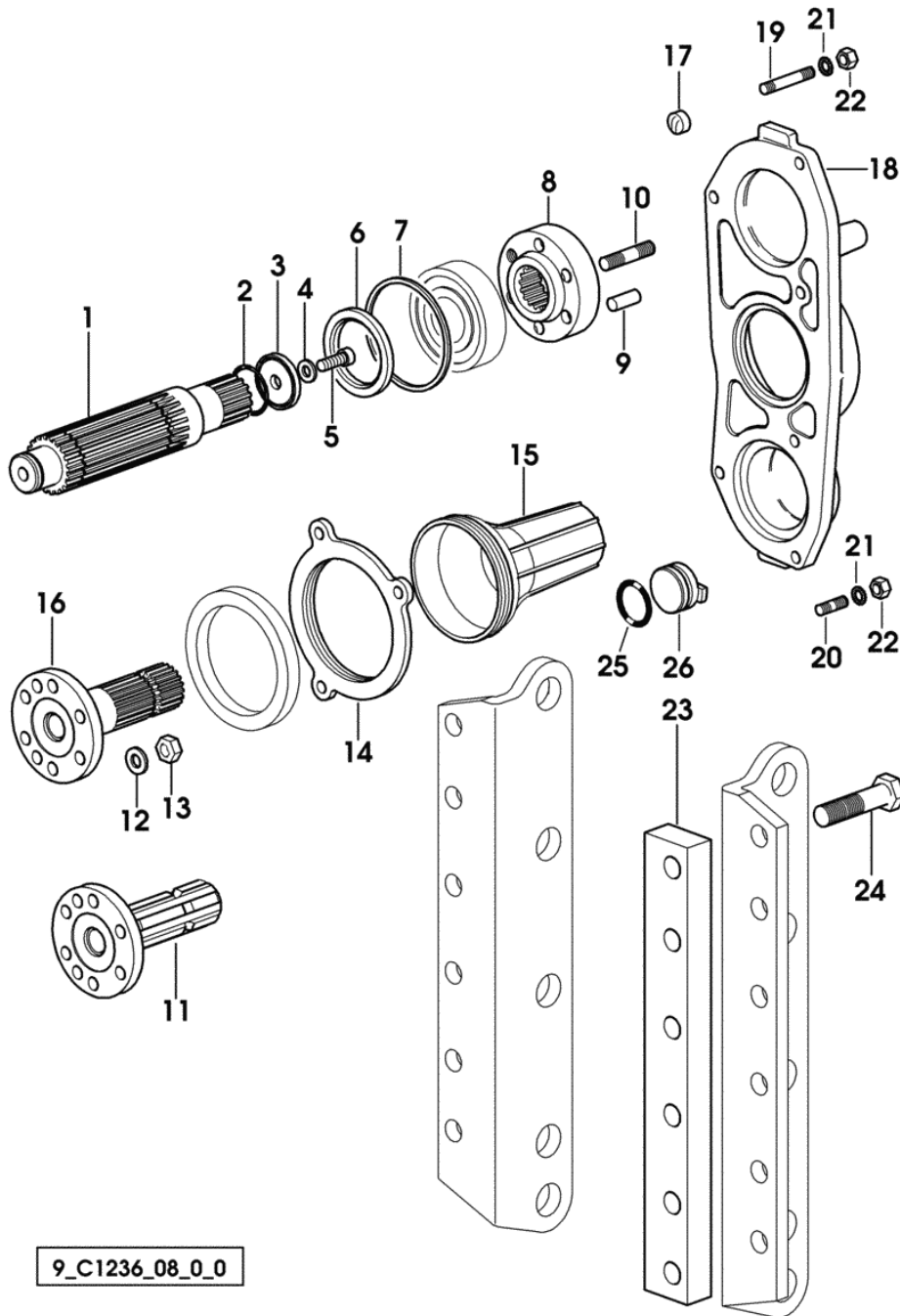
P.T.O. - 540 -1000 WITH INSERTED END SHAFTS

Fig.	Code	QTY	Name
------	------	-----	------

Notes:

1060 <- X Agrolux F 50 6059 <- X Agrolux F 60 6107 <- X Agrolux F 70 6420 <- X Agrolux F 80

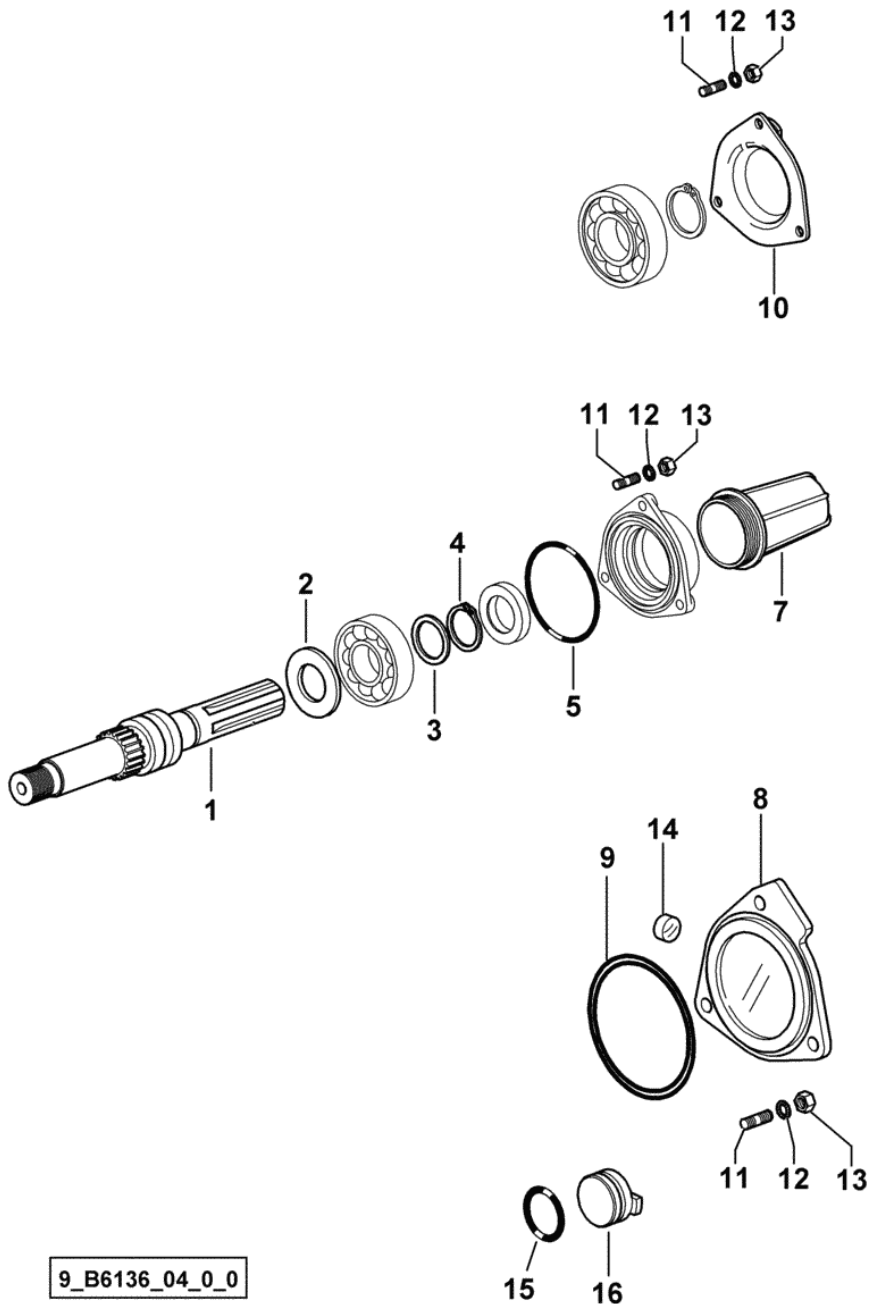
1	0.012.0100.0/10	1	shaft
2	2.1531.091.0	1	'o' ring 34.60 x 2.62
3	0.011.6415.0	1	thrust plate
4	2.1475.203.7	1	washer 10.5
5	2.0313.308.2	1	screw m 10 x 25
6	2.1599.827.0	1	snoulder
7	2.1549.430.0	1	spacer 80x87x3
8	0.011.3229.0	1	flange
9	2.1651.811.0	2	cylindrical plug 10x24
10	2.0432.155.7	6	stud bolt m 10 p.1.5 / p. 1.25 x 25
11	0.011.3221.0	1	p.t.o.shaft Z = 6
12	2.1470.006.2	6	lock washer 10
13	2.1011.421.2	6	nut m 10 p.1.25
14	0.011.3274.0	1	cover
15	0.008.0757.0	1	guard
16	0.011.3227.0	1	p.t.o.shaft Z = 8
17	2.3171.006.4	1	plug Ø 16
18	0.011.3261.0/20	1	cover
19	2.0422.215.7	2	stud bolt m 8 p.1.25 x 50
20	2.0422.203.7	5	stud bolt m 8 p.1.25 x 20
21	2.1470.004.2	7	washer 8
22	2.1011.105.2	7	nut m 8 p.1.25
23	0.011.3480.0	2	spacer 45 x 365 x 25
24	2.0112.623.2	12	screw m 16 p.2 x 70
25	2.1530.079.0	1	'o' ring 29.82 x 2.62
26	0.010.8141.0/10	1	plug
			1040 <- X Agrolux F 50
			6044 <- X Agrolux F 60
			6070 <- X Agrolux F 70
			6248 <- X Agrolux F 80
26	0.014.1957.0	1	plug
			-> 1041 X Agrolux F 50
			-> 6045 X Agrolux F 60
			-> 6071 X Agrolux F 70
			-> 6249 X Agrolux F 80



9_C1236_08_0_0

P.T.O. - 3 SPEED TYPE - FIXED END SHAFT

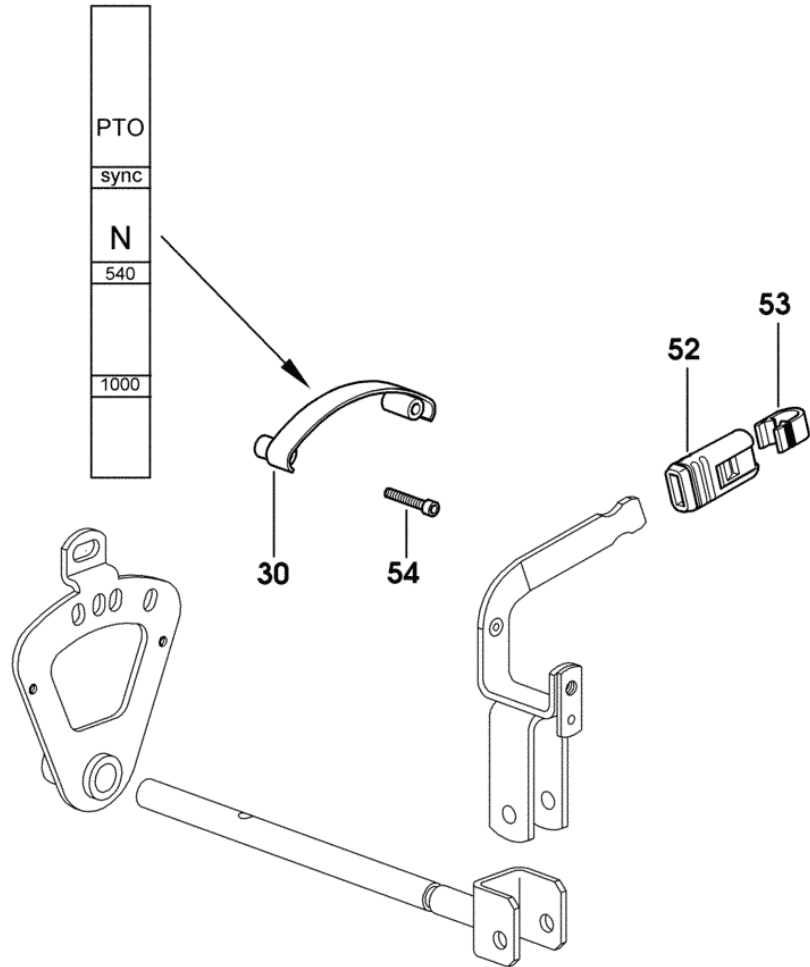
Fig.	Code	QTY	Name
1	0.010.7702.0/10	1	p.t.o.shaft
2	2.1599.792.0	1	shoulder
3	2.1599.874.0	1	washer 35 x 45 x 3.0
4	2.1412.013.7	1	ring Ø 35
5	2.1539.025.0/10	2	'o' ring 88.57 x 2.62
7	0.154.3655.0/10	1	guard
8	0.008.4984.2/30	1	cover
9	2.1539.025.0/10	1	'o' ring 88.57 x 2.62
10	0.008.5181.3/20	1	complete cover
11	2.0422.203.7	9	stud bolt m 8 p.1.25 x 20
12	2.1470.004.2	9	washer 8
13	2.1011.105.2	9	nut m 8 p.1.25
14	2.3171.006.4	1	plug Ø 16
15	2.1530.079.0	1	'o' ring 29.82 x 2.62
16	0.010.8141.0/10	1	plug
			1040 <- X Agrolux F 50
			6044 <- X Agrolux F 60
			6070 <- X Agrolux F 70
			6248 <- X Agrolux F 80
16	0.014.1957.0	1	plug
			-> 1041 X Agrolux F 50
			-> 6045 X Agrolux F 60
			-> 6071 X Agrolux F 70
			-> 6249 X Agrolux F 80



9_B6136_04_0_0

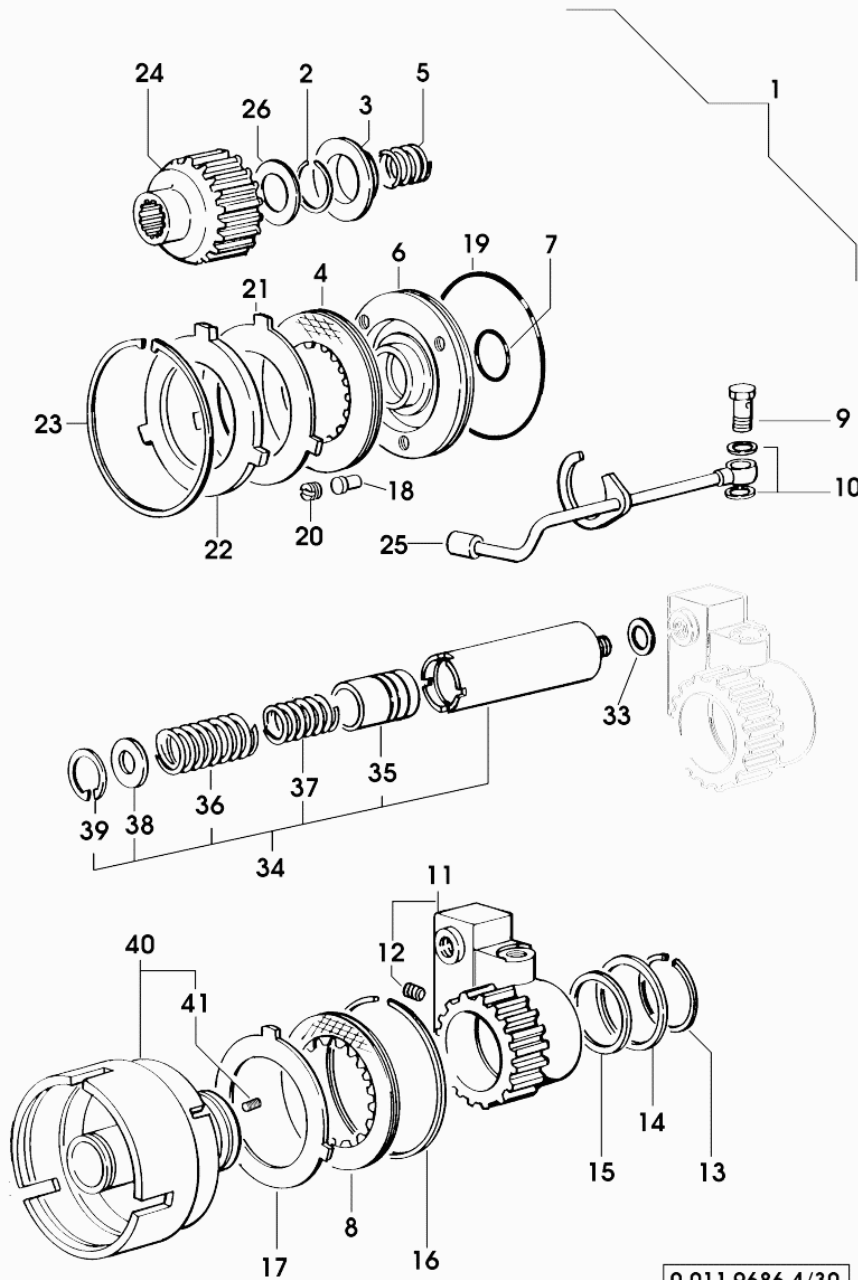
P.T.O. - EXTERNAL CONTROLS 540 - 1000 + SYNCRO

Fig.	Code	QTY	Name
30	0.010.7787.3/20	1	sector
52	0.008.8388.0	1	knob
53	0.008.8383.0	1	coupling
54	2.0332.309.6	2	screw m 5 x 30



9_70536_13_0_0

P.T.O. - HYDRAULIC CLUTCH



0.011.9686.4/30

Fig.	Code	QTY	Name
1	0.011.9686.4/30	1	hydraulic pto clutch
2	2.1420.014.7	1	circlip Ø 35
3	0.007.6115.0	1	small disc
4	0.008.9946.2	6	clutch disc
5	2.4019.725.1	1	spring
6	0.011.9682.0	1	piston
7	2.1539.140.0	1	'o' ring 34.5 x 2.62
8	0.008.9947.2	1	brake disc
9	2.3332.003.1	1	pipe union m 12 p.1.25
10	2.1560.007.0	2	gasket 12.2x16
11	0.008.9944.3/30	1	piston
12	2.0512.202.7	2	screw m 8 p.1.25 x 8
13	2.1419.027.1	1	circlip 48
14	2.1599.416.0	1	snoulder 50x58x1
15	2.1569.109.0	3	gasket 46x50x2
16	2.1499.137.7	1	circlip 100
17	0.008.9948.0	2	disc
18	2.1699.396.0/10	3	pin 6 x 13
19	2.1539.098.0	1	'o' ring 94.92 x 2.62
20	2.0599.111.1	3	grain
21	0.013.9480.0	6	disc
22	0.008.0324.0	1	disc mm 4.8
23	2.1499.082.0	1	ring 107
24	0.011.9678.0	1	hub
25	0.009.6715.3/10	1	tube
26	2.2685.006.0	1	thrust plate 25 x 42 x 1.0
33	2.1560.010.0	1	gasket 14.2 x 20 x 1.5
34	0.010.4252.4/20	1	accumulator
35	0.010.4253.0/10	1	piston
36	2.4019.648.1/10	1	spring
37	2.4019.649.1/10	1	spring
38	2.1599.241.0	1	snoulder 6.0 x 31 x 2.0
39	2.1411.013.1	1	circlip 32
40	0.011.9680.3/10	1	box
41	2.0512.002.7	1	grain m 5 p.0.8 x 8

Section: FRONT AXEL
4WD - FRONT BRAKES

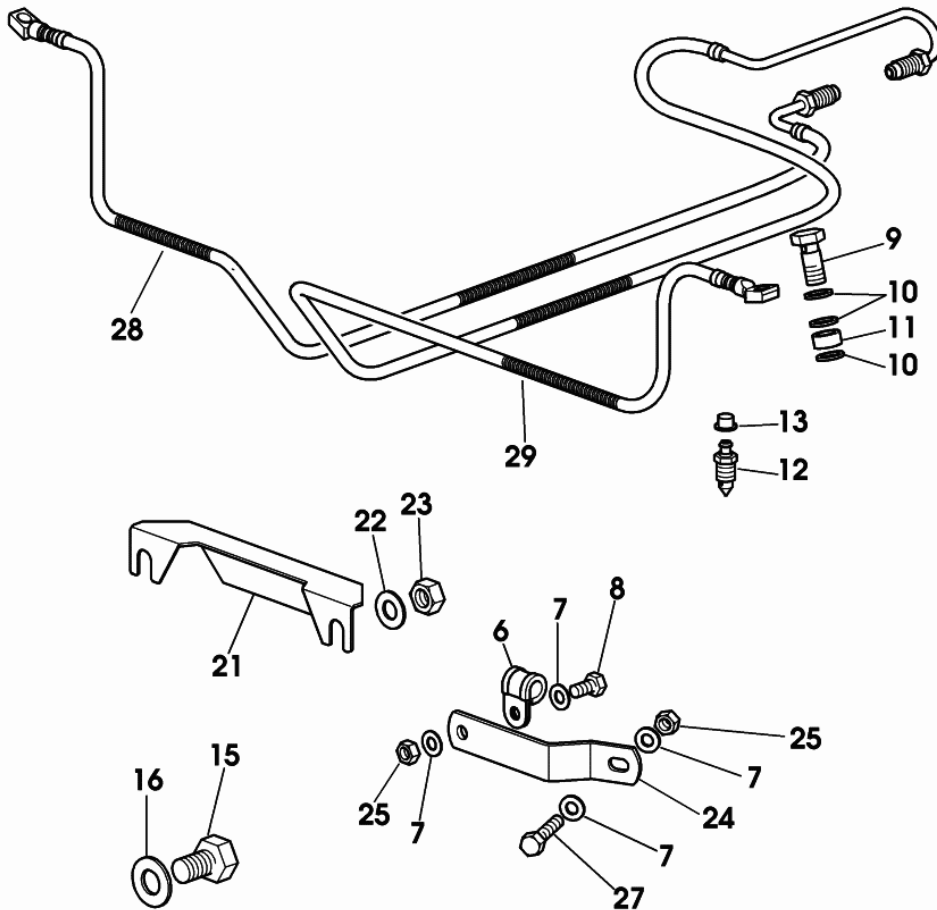


Fig.	Code	QTY	Name
6	2.6839.055.0	2	clamp Ø 11 / 20
7	2.1310.004.2	4	flat washer 8.5
8	2.0112.205.2	2	screw m 8 p.1.25 x 16
9	2.3339.361.2/10	2	pipe union m 12 p.1.25 x 28
10	2.1560.008.0	6	gasket 12.2 x 18
11	2.1579.765.2/10	2	spacer 12.5 x 18 x 8.0
12	0.170.5455.0	2	valve
13	2.3199.039.0	2	plug 6.50 x 7.25
15	2.0112.609.2	1	screw m 16 p.2 x 25
16	2.1310.010.2	3	flat washer 16
21	0.013.6691.0	1	channel
22	2.1310.007.2	2	flat washer 13.5
23	2.1011.522.2	2	nut m 12 p.1.25
24	0.013.1272.0	2	bracket
25	2.1011.105.2	4	nut m 8 p.1.25
27	2.0112.215.2	2	screw m 8 p.1.25 x 40
28	0.013.6867.3	1	tube dx/rh/re
29	0.013.6868.3	1	tube sx/lh/li

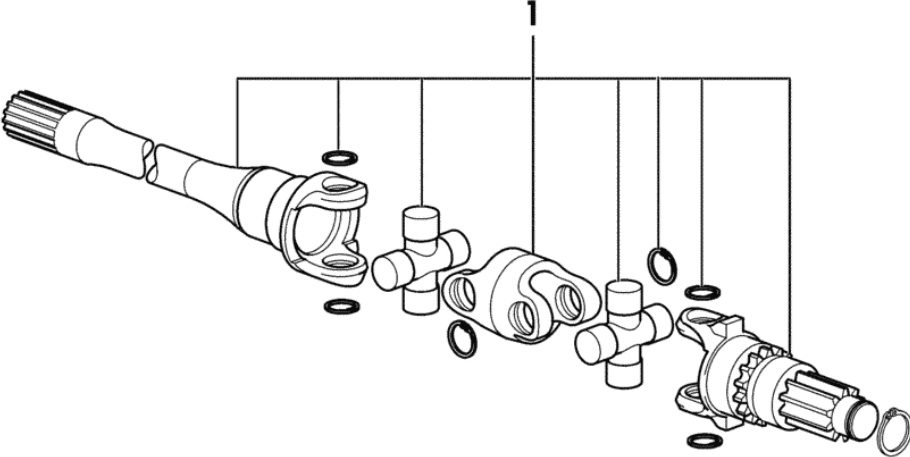
9_D4166_02_0_0

Section: FRONT AXEL
4WD - AXLESHAFTS

Fig.	Code	QTY	Name
------	------	-----	------

Notes:
 1069 <- X Agrolux F 50 6076 <- X Agrolux F 60 6142 <- X Agrolux F 70 6636 <- X Agrolux F 80

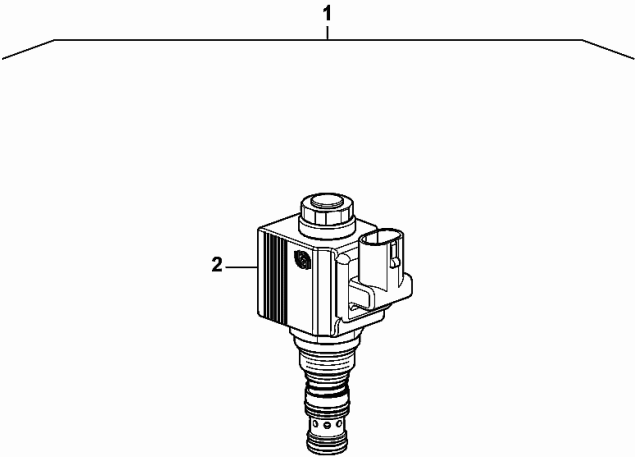
1	0.011.9971.4	2	joint COMPONENT PARTS SEE COMPONENTS LIST ☞ 0.011.9971.4 ☞ 04.00.12
---	--------------	---	---



9_16146_02_0_0

SOLENOID VALVE 13 V - 20 W, ON/OFF 3/2

Fig.	Code	QTY	Name
1	2.3729.697.0/10	1	electro valve 13V - 20W
2	0.010.2831.1	1	coil 13V - 20W

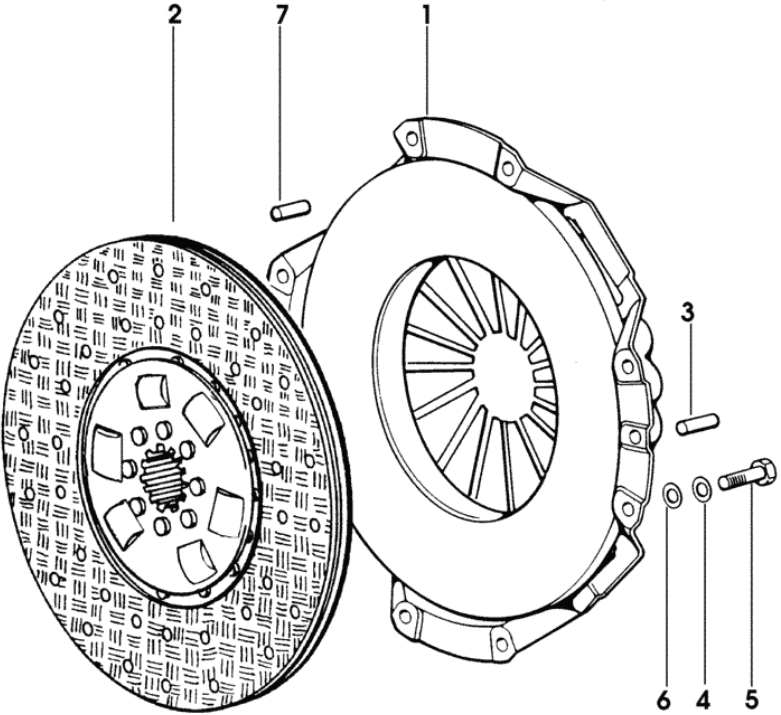


2.3729.697.0_10

Section: GEAR
CLUTCH 12"

9_51123_00_0_0

Fig.	Code	QTY	Name
1	0.008.4254.3/10	1	clutch assy 12"
2	0.009.6924.3/30	1	clutch disc 12"
3	2.1699.173.0	1	pin 7.9x18
4	2.1470.004.2	8	washer 8
5	2.0112.207.2	8	screw m 8 p 1.25 x 20
6	2.1310.004.2	8	flat washer 8.5
7	2.1699.201.0	1	pin 6.36x18



Section: GEAR

4 SPEED GEARBOX WITH MINI REDUCTION GEAR (SYNCHROPLIT)

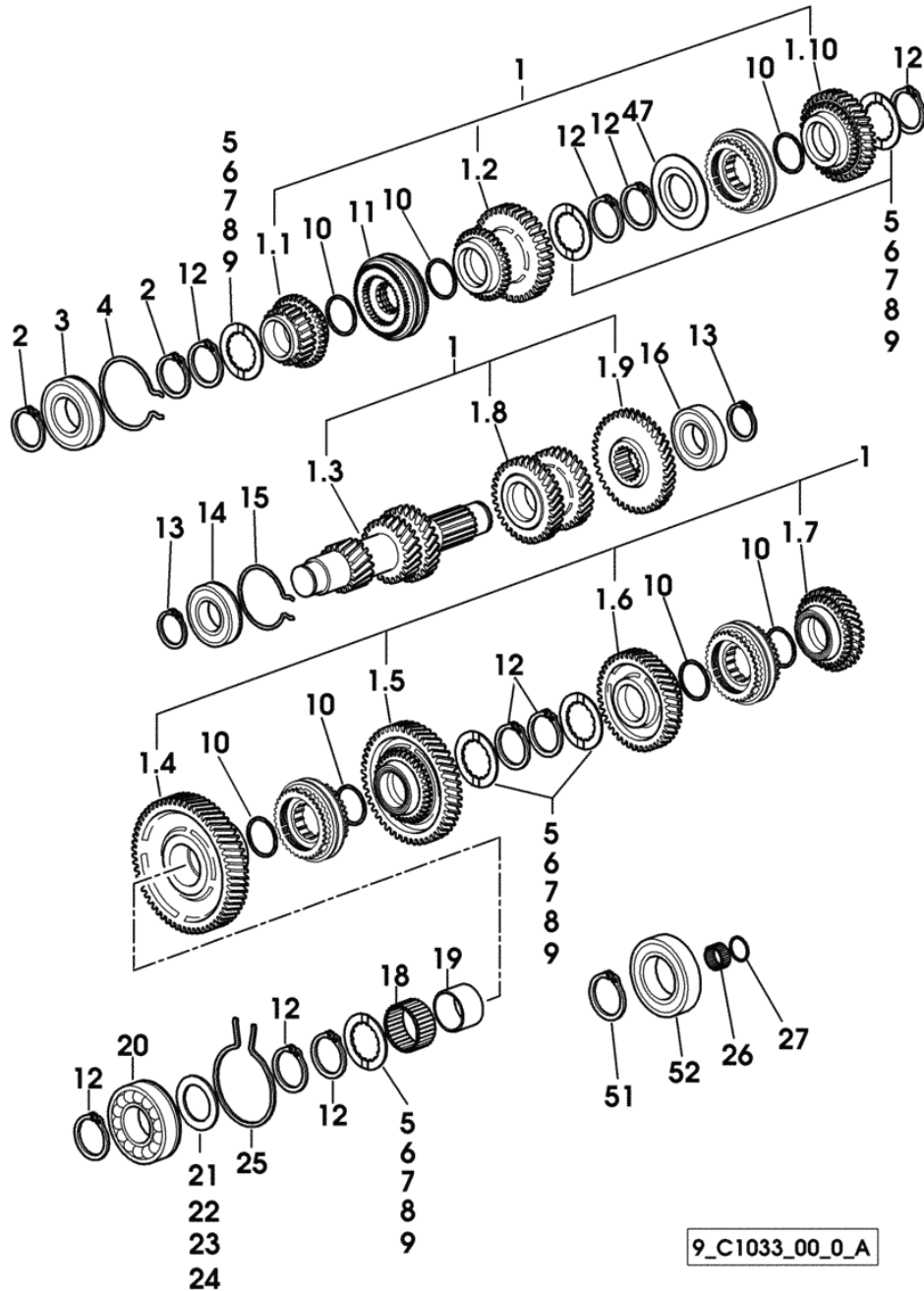


Fig.	Code	QTY	Name
1	0.000.0000.1	0	not serviceable
1.1	0.008.5146.0/40	1	gear Z = 23
1.2	0.011.9658.0/10	1	gear Z = 37
1.3	0.013.1624.0	1	main shaft z =19 z=24 z=27
1.4	0.008.5107.0/40	1	gear Z = 59
1.5	0.008.5103.0/30	1	gear Z = 47
1.6	0.008.5104.0/50	1	gear z = 42
1.7	0.008.5100.0/30	1	gear Z = 32
1.8	0.013.1625.0	1	gear Z = 31 / 34
1.9	0.013.1626.0	1	gear Z = 41
1.10	0.013.1627.3/10	1	gear Z = 35
2	2.1410.016.1	2	circlip 40
3	2.2999.266.0	1	bearing 40 x 80 x 18
4	2.1499.052.1/10	2	circlip 80
5	0.008.0251.0	1	shim 39 x 64 x 2.65
6	0.010.0629.0	1	shim 39 x 64 x 2.85
7	0.010.0630.0	1	shim 39 x 64 x 3.05
8	0.010.0631.0	1	shim 39 x 64 x 3.25
9	0.010.0632.0	1	shim 39 x 64 x 3.45
10	2.1422.029.7	7	circlip 40 x 1.5
11	0.007.7620.4/10	1	lock synchronizer 62 COMPONENT PARTS SEE COMPONENTS LIST ☞ 0.007.7620.4/10 ☞ 02.00.5
12	2.1410.017.1	9	circlip 42
13	2.1410.014.1	2	circlip 35
14	2.2042.011.0	1	ball bearing 35 x 72 x 17
15	2.1499.124.1/10	2	circlip 68 x 1.7
16	2.2045.011.0	1	ball bearing 35 x 72 x 17
18	2.2999.271.0	1	roller cage 47 x 55 x 28
19	2.1559.314.0/10	1	bushing 42 x 47 x 30
20	2.2999.336.0	1	bearing 42.025 x 90 x 23
21	2.1599.743.0	1	shoulder 42 x 62 x 3.1
22	2.1599.744.0	1	shoulder 42 x 62 x 3.2
23	2.1599.745.0	1	shoulder 42 x 62 x 3.3
24	2.1599.746.0	1	shoulder 42 x 62 x 3.4
25	2.1499.123.1/10	2	circlip 86 x 2.46
26	2.2999.173.0	1	roller cage 23 x 35 x 16.2
27	2.1423.026.7	1	circlip 35 x 1.5
47	0.008.5501.0/40	1	ring
51	2.1410.020.1	1	circlip 50
52	2.2043.014.0	1	ball bearing 50 x 90 x 20

4 SPEED GEARBOX WITH MINI REDUCTION GEAR (SYNCHROPLIT)

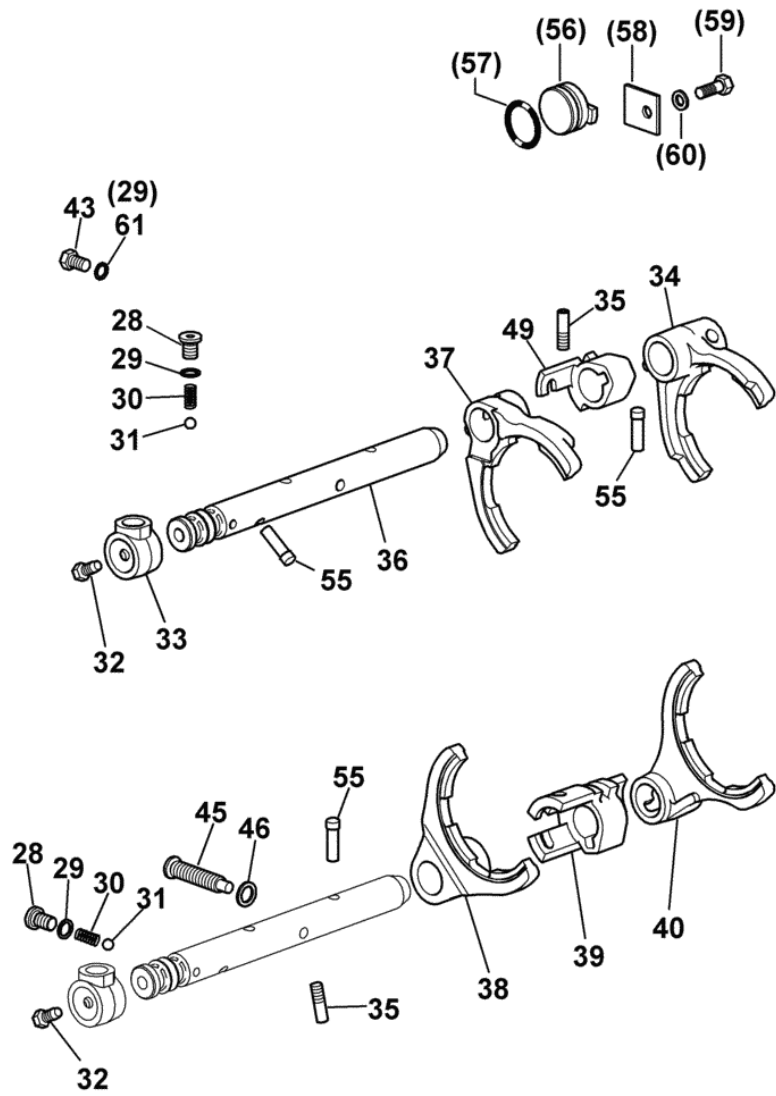


Fig.	Code	QTY	Name
57	2.1530.079.0	1	-> 6071 - 6072 <- X Agrolux F 70 -> 6249 - 6262 <- X Agrolux F 80 'o' ring 29.82 x 2.62 1040 <- X Agrolux F 50 6045 <- X Agrolux F 60 6072 <- X Agrolux F 70 6262 <- X Agrolux F 80
58	0.013.8098.0/10	1	small plate 1040 <- X Agrolux F 50 6045 <- X Agrolux F 60 6072 <- X Agrolux F 70 6262 <- X Agrolux F 80
59	2.0112.207.2	1	screw m 8 p 1.25 x 20 1040 <- X Agrolux F 50 6045 <- X Agrolux F 60 6072 <- X Agrolux F 70 6262 <- X Agrolux F 80
60	2.1475.202.2	1	spring washer 8.4 x 16 1040 <- X Agrolux F 50 6045 <- X Agrolux F 60 6072 <- X Agrolux F 70 6262 <- X Agrolux F 80
61	2.1560.004.0	2	gasket 8.2 x 14 -> 1061 X Agrolux F 50 -> 6060 X Agrolux F 60 -> 6108 X Agrolux F 70 -> 6427 X Agrolux F 80

9_C1033_00_0_B

Section: GEAR

GEAR CHANGE BOX (GEARSHIFT) H-M-L

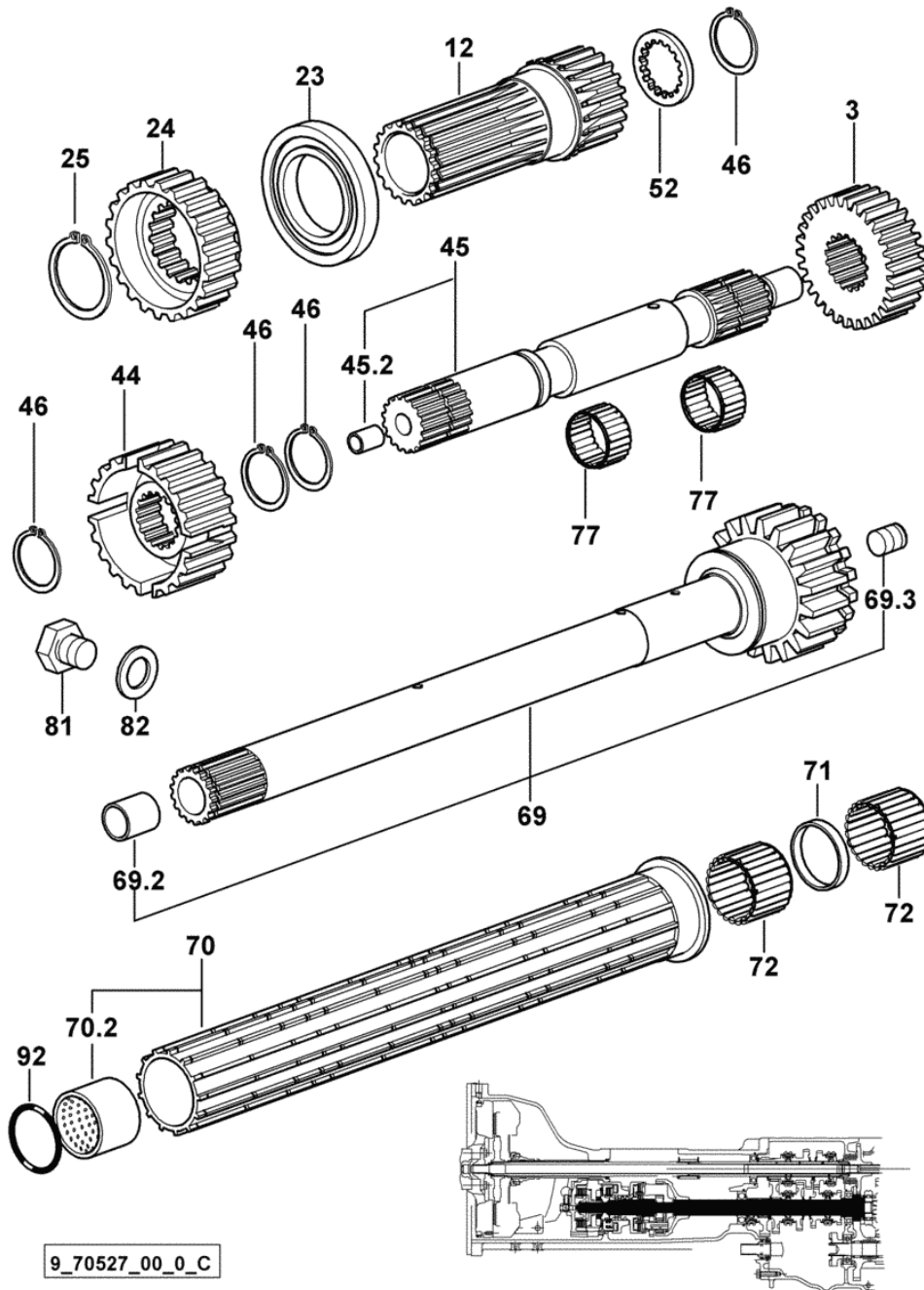


Fig.	Code	QTY	Name
3	0.008.0311.0/40	1	gear Z = 30 / Z = 17
12	0.008.0312.0/50	1	shaft
23	2.2020.007.0	1	ball bearing 40x68x9
24	0.008.0267.0/30	1	hub Z = 22 / Z = 18
25	2.1410.016.1	1	circlip 40
44	0.008.0268.0/20	1	hub
45	0.009.9871.3/60	1	shaft
45.2	2.1549.196.0/10	1	bushing 8 x 10.3 x 14
46	2.1410.011.7	4	circlip 28
52	2.1599.689.0	1	thrust plate 25x36x3.6
69	0.010.0537.3/20	1	reduction shaft Z = 19
69.2	2.1552.205.0	1	bushing 16 x 20
69.3	2.0599.092.0	1	grain m 12x14
70	0.010.0536.3/10	1	shaft
70.2	2.1559.365.0	1	bushing 27.6 x 32 x 25
71	2.1549.198.0	1	spacer 30 x 33 x 5
72	2.2999.298.0	2	roller cage 28 x 33 x 27
77	2.2999.312.0	2	roller cage
81	2.3110.403.1	1	plug m 14 p.1.5
82	2.1560.010.0	1	gasket 14.2 x 20 x 1.5
92	2.1532.504.0	1	'o' ring 37.82 x 1.78
			-> 1062 X Agrolux F 50
			-> 6063 X Agrolux F 60
			-> 6111 X Agrolux F 70
			-> 6464 X Agrolux F 80

9_70527_00_0_C

Section: GEAR

INTERNAL GEARBOX AND REVERSE GEAR CONTROLS

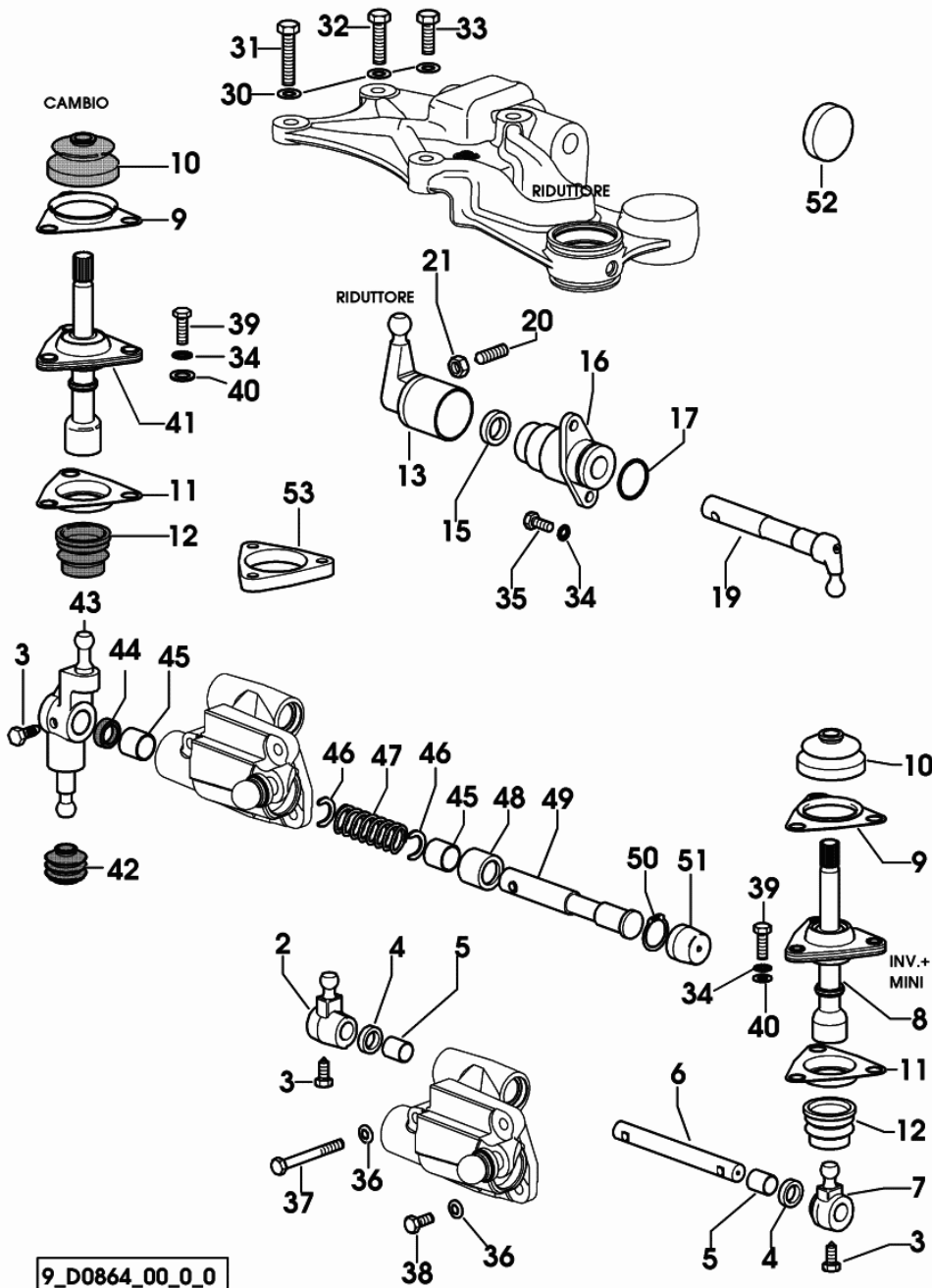


Fig.	Code	QTY	Name
2	0.010.0827.0/10	1	lever
3	2.0399.019.1	3	screw m 8 p.1 x 16
4	2.1519.078.0	2	'o' ring 16 x 24 x 6
5	2.1555.309.0	2	bushing 16x18x20
6	0.010.5139.0/10	1	rod
7	0.010.9128.0/10	1	lever
8	0.013.7270.3	1	lever
9	0.007.6981.0/10	2	support
10	0.008.5961.0	2	guard
11	0.007.7693.0/10	2	cap-washer
12	0.007.7692.0/10	2	guard
13	0.008.5199.3/10	1	lever
15	2.1520.006.0	1	oil seal 20 x 30 x 7
16	0.008.5413.0/10	1	support
17	2.1530.091.0	1	'o' ring 34.60 x 2.62
19	0.008.5416.0/10	1	lever
20	2.0399.050.2	1	screw m 10 p.1 x 30
21	2.1011.406.2	1	nut m 10 p.1
30	2.1475.003.2	4	washer 10
31	2.0112.319.2	1	screw m 10 p.1.5 x 50
32	2.0112.315.2	1	screw m 10 p.1.5 x 40
33	2.0112.311.2	2	screw m 10 p.1.5 x 30
34	2.1470.004.2	8	washer 8
35	2.0112.207.2	2	screw m 8 p 1.25 x 20
36	2.1475.002.2	3	conical washer 8
37	2.0112.224.2	1	screw m 8 p.1.25x75
38	2.0112.207.2	2	screw m 8 p 1.25 x 20
39	2.0112.215.2	6	screw m 8 p.1.25 x 40
40	2.1310.004.2	6	flat washer 8.5
41	0.013.7269.3	1	lever
42	0.010.5137.0	1	guard
43	0.010.9129.0	1	lever
44	2.1520.006.0	1	oil seal 20 x 30 x 7
45	2.1555.311.0	2	bushing 20x23x20
46	0.008.5405.0	2	ring
47	2.4019.654.1	1	spring
48	2.1559.373.0	1	bushing
49	0.010.0829.0/20	1	rod
50	2.1419.073.0	1	circlip 30x1.2
51	0.010.5138.0	1	boot
52	2.3171.016.4	1	plug 40
53	0.013.7272.0	2	spacer

9_D0864_00_0_0

Section: GEAR
SHUTTLE COVER

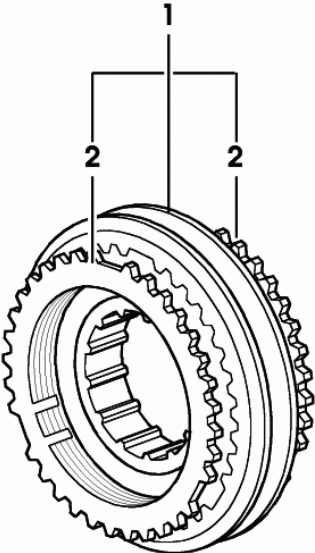
Fig.	Code	QTY	Name
1	0.009.9165.0/10	1	cap



9_58964_07_0_0

Section: GEAR
SYNCHRONIZER PARTS

Fig.	Code	QTY	Name
1	0.007.7620.4/10	1	lock synchronizer 62
2	0.010.2136.0	2	ring

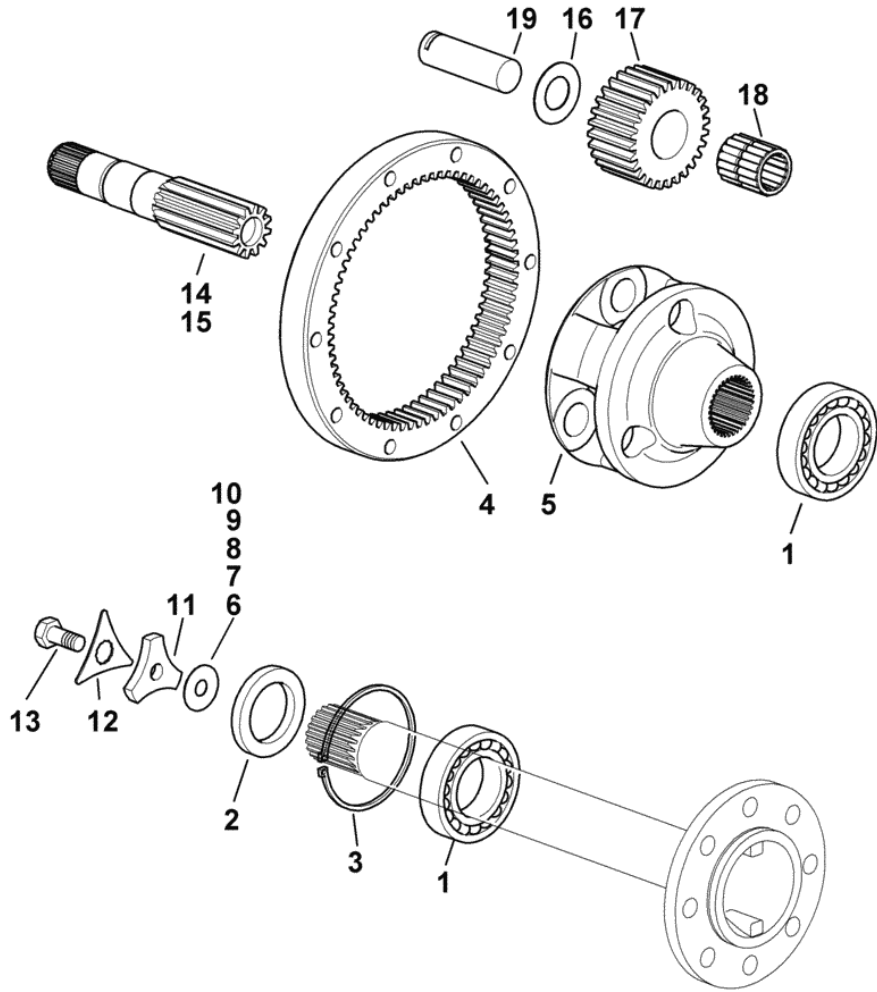


007_7620_4_10

Section: REAR AXLE

REAR REDUCTION GEARS AND AXLE SHAFTS

Fig.	Code	QTY	Name
1	2.2520.012.0	4	roller bearing 55 x 100 x 22.75
2	2.1510.329.0	2	oil seal 55 x 80 x 10
3	2.1410.041.1	2	circlip Ø 105
4	0.008.5160.0/10	2	bevel ring gear Z = 69
5	0.009.7143.0	2	box
6	2.1589.106.0	6	snoulder 14.5 x 41 x 1.0
7	2.1589.107.0	2	snoulder 14.5 x 41 x 0.5
8	2.1589.108.0	2	snoulder 14.5 x 41 x 0.2
9	2.1589.109.0	2	snoulder 14.5 x 41 x 0.1
10	2.1589.246.0	2	snoulder 14.5 x 41 x 0.15
11	0.008.5604.0	2	spacer
12	0.008.5605.0	2	washer
13	2.0139.014.1	2	screw m 14 p.1.5 x 33
14	0.009.7205.0/10	1	half-shaft sx/lh/li
15	0.009.7206.0/10	1	half-shaft dx/rh/re
16	2.1599.712.0	12	snoulder 30.2 x 55 x 1.0
17	0.009.7145.0	6	planet gear Z = 28
18	2.2999.307.0	6	roller cage 30 x 44 x 52
19	0.009.7144.0	6	pin

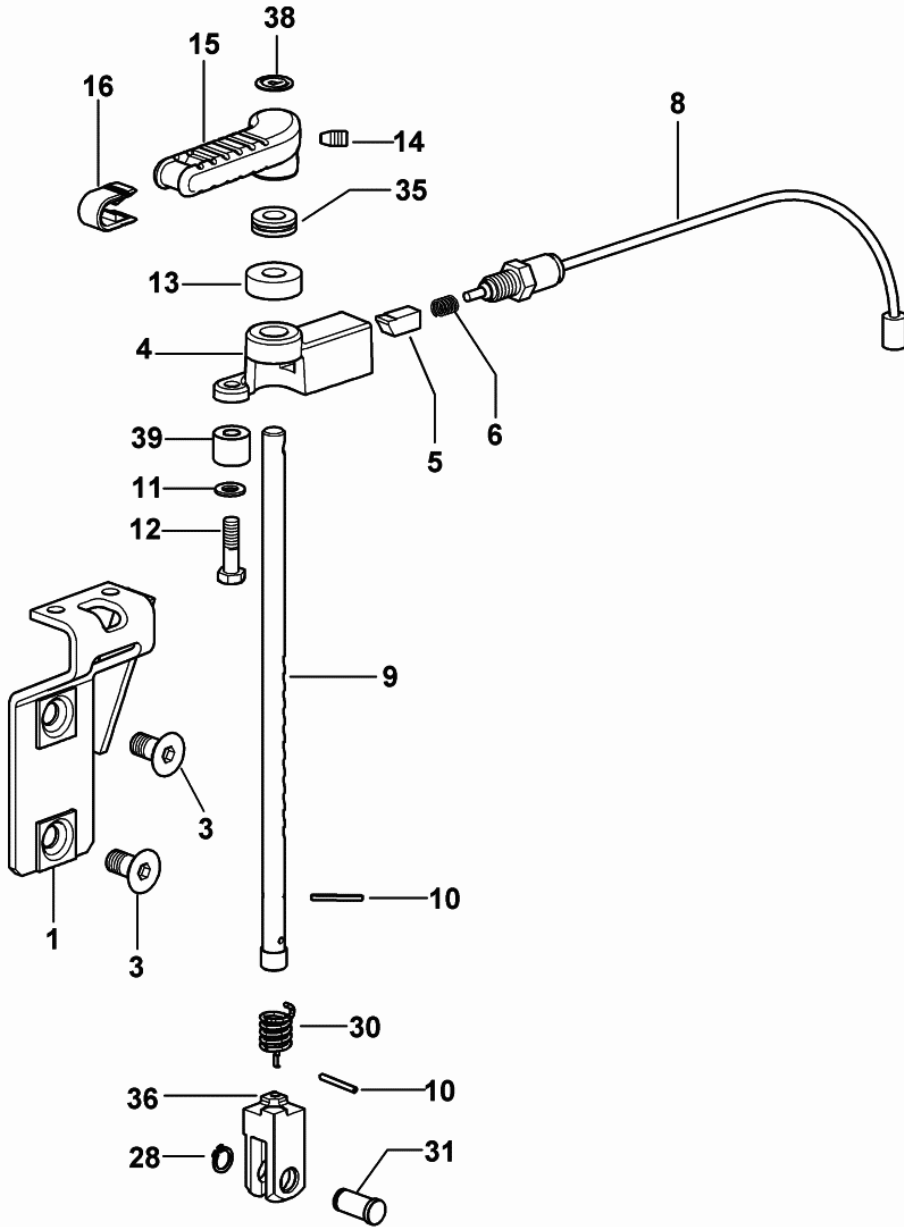


9_64847_00_0_0

Section: REAR AXLE

HAND BRAKE

Fig.	Code	QTY	Name
1	0.010.5464.2/30	1	support
3	2.0342.507.6	2	screw m 12 p.1.75 x 25
4	0.007.3834.0/20	1	support
5	0.007.3835.0/20	1	ratchet
6	2.4019.434.2	1	spring 6.4x9.6x13.9
8	2.7659.237.0	1	switch
9	0.013.5998.0	1	rod
10	2.1630.212.9	2	roll pin 3x28
11	2.1310.004.2	2	flat washer 8.5
12	2.0112.211.2	2	screw m 8 p.1.25 x 30
13	2.1549.068.0/20	1	rubber plug 12.5x30x15
14	2.0599.084.1/10	1	screw m 8 p.1x14.5
15	0.007.3833.0/10	1	knob
16	0.009.0140.0	1	coupling
28	2.1410.002.1	1	circlip 12
30	2.4099.116.2	1	spring
31	0.010.6103.0	1	pin
35	2.6560.006.0	1	wire guide 12x1.5
36	0.010.6094.0/10	1	fork
38	2.9929.614.0	1	plate
39	2.1579.959.2	2	spacer 8.5x20x16

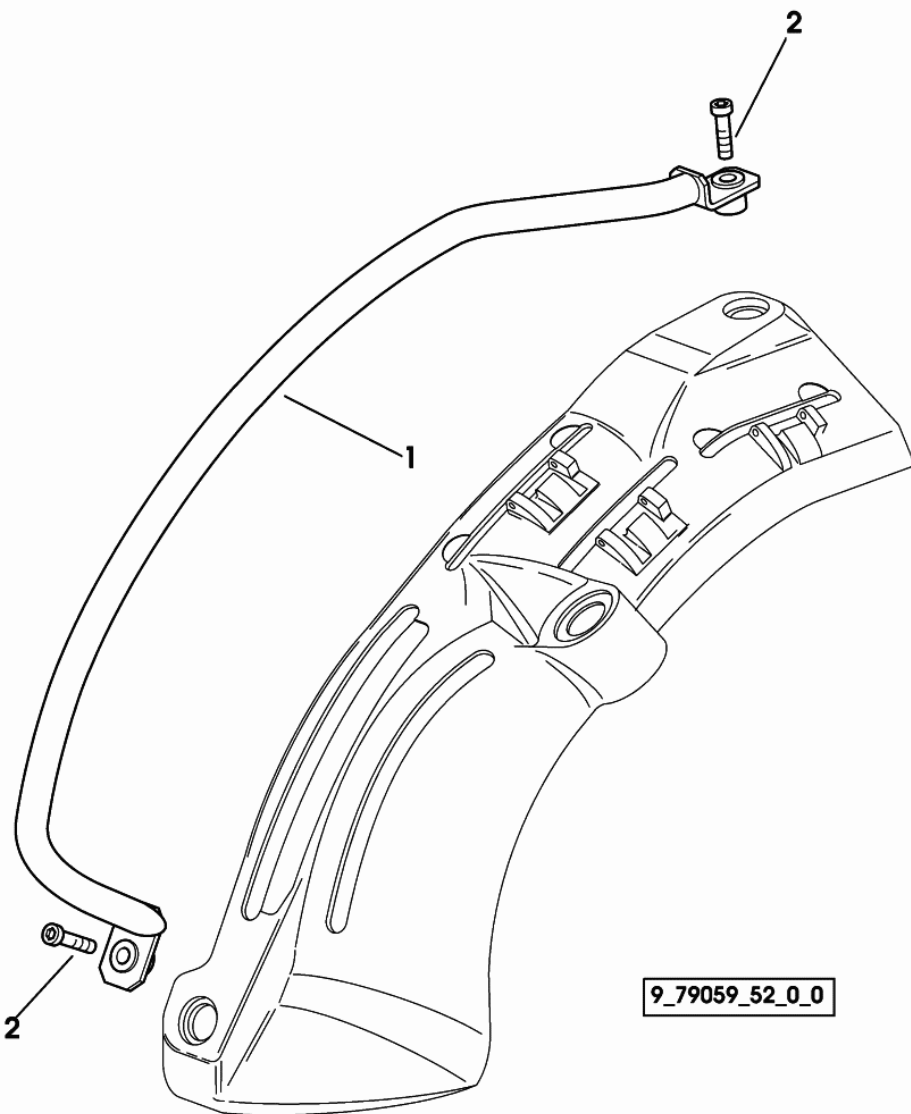


9_D4166_20_0_0

Section: S.A.C.

CONTROL CONSOLE FOR POWER-LIFT

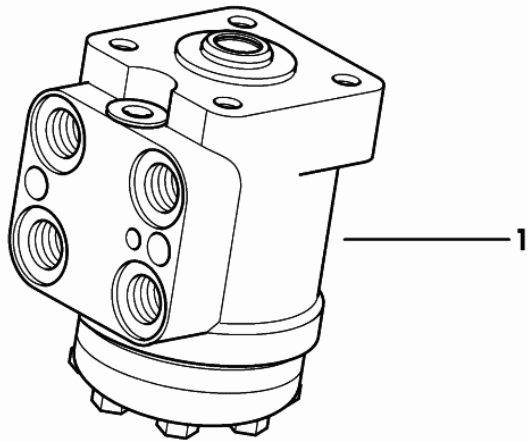
Fig.	Code	QTY	Name
1	0.010.5122.3	1	handle
2	2.0312.212.3	2	screw m 8 x 35



9_79059_52_0_0

4WD - POWER STEERING DANFOSS - 80

Fig.	Code	QTY	Name
1	0.290.6310.4/10	1	hydrosteering DANFOSS - 80 CC COMPONENT PARTS SEE COMPONENTS LIST ☞ 0.290.6310.4/10 ☞ 06.00.14



9_64863_09_0_0

OIL FLOW CONTROL VALVE CASING - ELECTROHYDR. CONTROLS

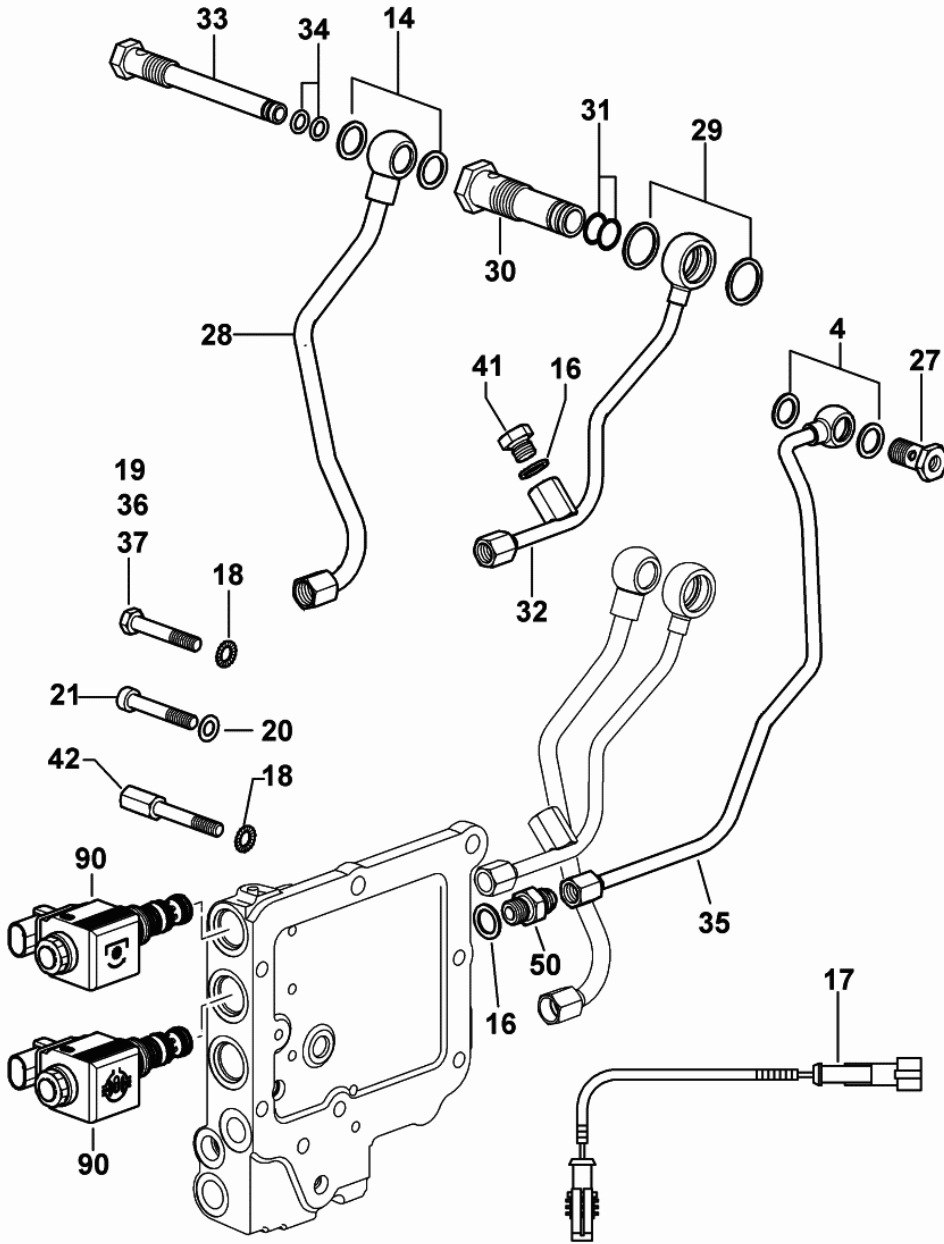


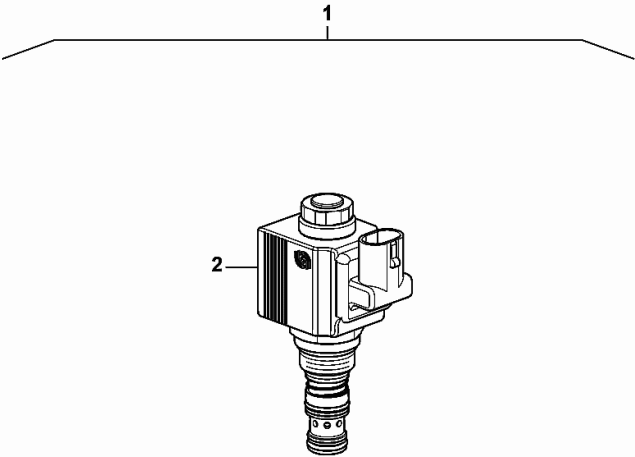
Fig.	Code	QTY	Name
4	2.1560.010.0	2	gasket 14.2 x 20 x 1.5
14	2.1560.012.0	2	gasket 16.2 x 22 x 1.5
16	2.1560.008.0	2	gasket 12.2 x 18
17	0.011.7711.3	1	wire mm 100
18	2.1470.004.2	4	washer 8
19	2.0112.219.2	1	screw m 8 p.1.25x50
20	2.1480.014.1	1	washer 8
21	2.0312.216.2	1	screw m 8 p.1.25x50
27	2.3335.006.2	1	pipe union m 14 p.1.5x24
28	0.009.9749.3/40	1	tube
29	2.1560.017.0	2	gasket 22.2 x 27
30	0.009.9746.0/40	1	pipe fitting
31	2.1531.039.0	2	'o' ring 16
32	0.009.9748.3/30	1	tube
33	0.009.9745.0/20	1	pipe fitting
34	2.1531.016.0	2	ring 8.74 x 1.78
35	0.009.9747.3/30	1	tube
36	2.0112.215.2	1	screw m 8 p.1.25 x 40
37	2.0112.209.2	1	screw m 8 p.1.25 x 25
41	2.3110.402.1	1	plug m 12 p.1.5x10
42	2.0399.275.2	1	screw
50	2.3261.004.2	1	pipe fitting m 12 p.1.25-1/2"
90	2.3729.697.0/10	2	electro valve 13V - 20W

COMPONENT PARTS SEE
COMPONENTS LIST
☞ 2.3729.697.0/10
☞ 06.00.11

9_70582_04_0_A

SOLENOID VALVE 13 V - 20 W, ON/OFF 3/2

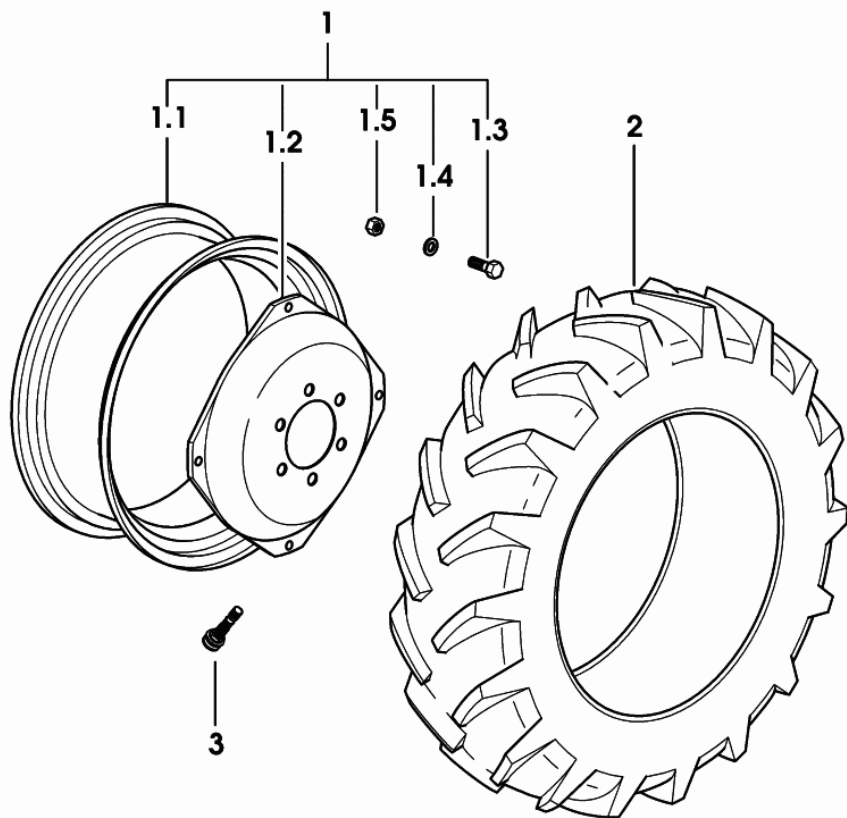
Fig.	Code	QTY	Name
1	2.3729.697.0/10	1	electro valve 13V - 20W
2	0.010.2831.1	1	coil 13V - 20W



2.3729.697.0_10

Section: WHEELS
WHEELS 260/65R16"

Fig.	Code	QTY	Name
1	0.000.0000.1	0	not serviceable
1.1	0.012.2804.3	1	rim W 8x16" C/BL
1.2	0.008.1551.0	1	rim center flange
1.3	2.0122.621.6	4	screw m 16 p.1.5 x 60
1.4	2.1475.006.6	4	washer 16x32
1.5	2.1011.309.6	4	nut m 16 p.1.5
2	2.4811.182.0	2	tyre 260/65R16"
3	0.012.6364.0	2	valve



9_B6155_24_0_0

Section: WHEELS

WHEELS 16.9R-24" a8

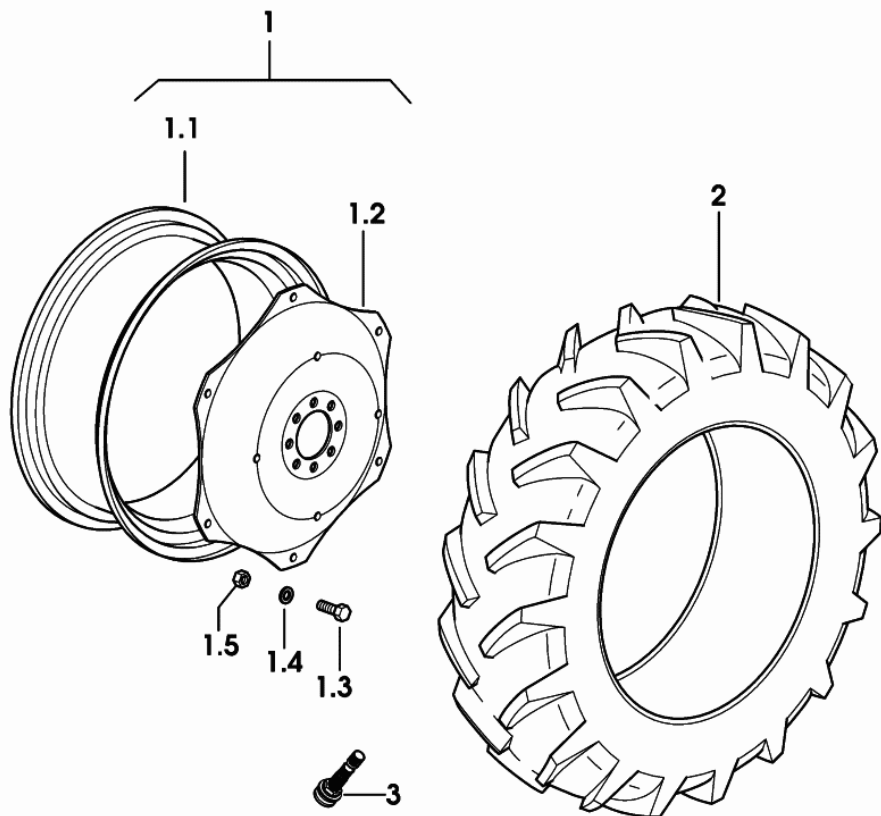


Fig.	Code	QTY	Name
1	0.000.0000.1	0	not serviceable
1.1	0.012.3061.3	1	rim W 14Lx24" C/ST
1.2	0.255.5550.0	1	rim center flange
1.3	2.0099.005.6	6	screw m 16 p.1.5 x 38
1.4	2.1499.019.6	6	washer 16.3 x 31.5
1.5	2.1019.059.6	6	nut m 16 p.1.5 x 16
2	2.4811.057.0	2	tyre 420/85R24"(16.9R24" a8)
3	0.012.6364.0	2	valve

9_B6155_44_0_0

CLICK HERE TO **DOWNLOAD** THE COMPLETE MANUAL

- Thank you very much for reading the preview of the manual.
- You can download the complete manual from: www.heydownloads.com by clicking the link below



- Please note: If there is no response to CLICKING the link, please download this PDF first and then click on it.

CLICK HERE TO **DOWNLOAD** THE COMPLETE MANUAL