

# AGROLUX 4.75 E ->D10S714WT1E10001

## V0 - BALLAST, TOWING HITCHES

### FRONT HITCHES

FRONT TOWING HITCH..... V0.01.0 (1)

### REAR HITCHES

REAR TOWING HITCH..... V0.02.0 (1)

REAR TOWING HITCH..... V0.02.1 (1)

REAR GEARBOX BRACKETS..... V0.02.2 (1)

REAR OSCILLATING HITCH..... V0.02.3 (1)

### FRONT BALLAST WEIGHTS

FRONT WEIGHT CARRIER..... V0.03.0 (1)

FRONT BALLAST..... V0.03.1 (1)

FRONT BALLAST..... V0.03.2 (1)

FRONT BALLAST..... V0.03.3 (1)

### WHEEL BALLAST

WHEEL BALLAST 172 Kg..... V0.05.1 (1)

WHEEL BALLAST 344 Kg..... V0.05.3 (1)

CLICK HERE TO **DOWNLOAD** THE COMPLETE MANUAL

- Thank you very much for reading the preview of the manual.
- You can download the complete manual from: [www.heydownloads.com](http://www.heydownloads.com) by clicking the link below



- Please note: If there is no response to CLICKING the link, please download this PDF first and then click on it.

CLICK HERE TO **DOWNLOAD** THE COMPLETE MANUAL

**AGROLUX 4.75 E ->D10S714WT1E10001**

Section: V0 - BALLAST, TOWING HITCHES

Ref.: V0.05.1 (1)

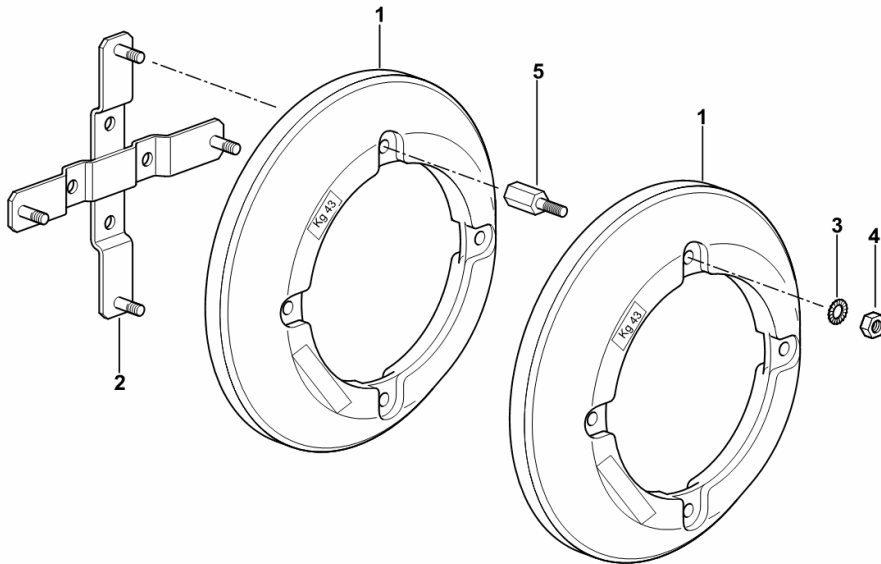
**WHEEL BALLAST 172 Kg**

Fig.	Code	QTY	Name
------	------	-----	------

**Notes:**

- FOR TYPES WITH 1 AND 2 BRAKE DISK HEAVY DUTY REAR AXLE [AGROLUX 4.75 E 4WD->D10S714WT1E10001] - FOR TYPES WITH 1 AND 2 BRAKE DISK HEAVY DUTY REAR AXLE [AGROLUX 4.75 E 2WD->D10S714WX1E10001]

1	0.135.5540.0/10	4	ballast 43 Kg
2	0.016.5154.3	2	support
3	2.1470.009.2	4	lock washer 16
4	2.1011.309.2	8	nut m 16 p.1.5
5	0.001.8527.0	8	small column



19\_J1266\_90\_0-A-001

**AGROLUX 4.75 E ->D10S714WT1E10001**

Section: G0 - BODYWORK - CAB

Ref.: G0.01.14 (1)

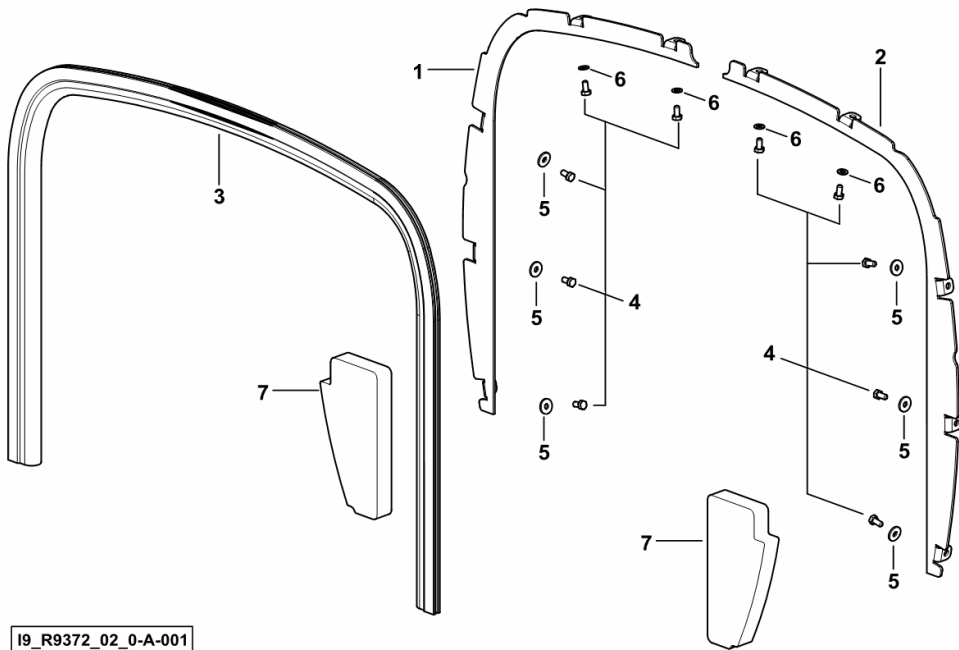
**ENGINE HOOD GASKETS**

Fig.	Code	QTY	Name
------	------	-----	------

**Notes:**

[AGROLUX 4.75 E 4WD->D10S714WT1E10001] [AGROLUX 4.75 E 2WD->D10S714WX1E10001]

1	0.015.3956.0/10	1	frame dx/rh/re
2	0.015.3096.0/10	1	frame sx/lh/li
3	0.015.3314.0	1	gasket
4	2.0114.102.2	10	screw m 5x10
5	2.1312.002.2	6	washer 5
6	2.1310.001.2	4	flat washer 5.3
7	0.016.7192.0	2	stopper



19\_R9372\_02\_0-A-001

**AGROLUX 4.75 E ->D10S714WT1E10001**

Section: G0 - BODYWORK - CAB

Ref.: G0.01.36 (1)

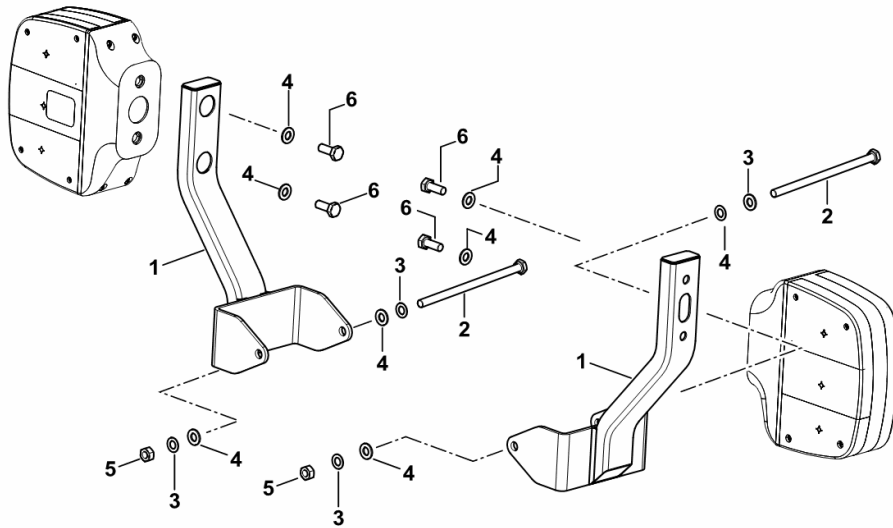
**HEADLIGHT SUPPORTS**

Fig.	Code	QTY	Name
------	------	-----	------

**Notes:**

[AGROLUX 4.75 E 4WD->D10S714WT1E10001] [AGROLUX 4.75 E 2WD->D10S714WX1E10001]

1	0.015.4760.2	2	support
2	2.0119.218.2	2	screw m 8x145
3	2.1470.004.2	4	washer 8
4	2.1310.004.2	8	flat washer 8.5
5	2.1011.105.2	2	nut m 8 p.1.25
6	2.0112.207.2	4	screw m 8 p 1.25 x 20



I9\_J1285\_12\_0-A-001

**AGROLUX 4.75 E ->D10S714WT1E10001**

Section: G0 - BODYWORK - CAB

Ref.: G0.02.28 (1)

**GEAR LEVER KNOB CAP**

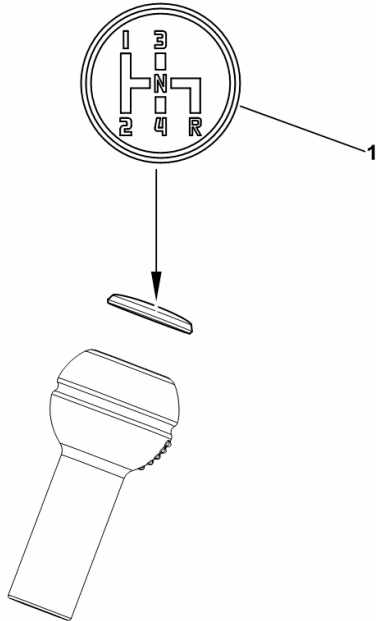
Fig.	Code	QTY	Name
------	------	-----	------

**Notes:**

- FOR TYPES WITH 4 SPEED 2 RANGE GEARBOX [AGROLUX 4.75 E 4WD->D10S714WT1E10001] - FOR TYPES WITH 4 SPEED 2 RANGE GEARBOX [AGROLUX 4.75 E 2WD->D10S714WX1E10001]

1	0.010.1671.0/30	1	cap
---	-----------------	---	-----

I9\_72364\_01\_0-C-001



**AGROLUX 4.75 E ->D10S714WT1E10001**

Section: G0 - BODYWORK - CAB

Ref.: G0.02.40 (1)

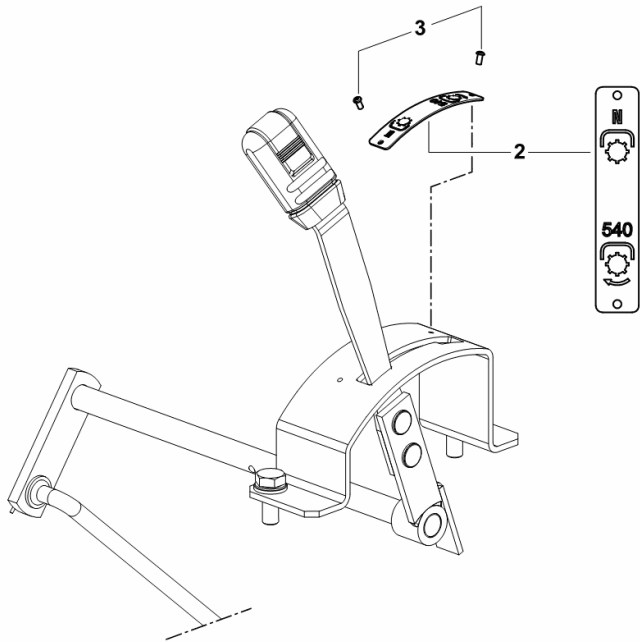
**PTO DATA PLATE**

Fig.	Code	QTY	Name
------	------	-----	------

**Notes:**

- EXPORT IND [AGROLUX 4.75 E 4WD->D10S714WT1E10001] - EXPORT IND [AGROLUX 4.75 E 2WD->D10S714WX1E10001]

2	0.010.1890.0	1	plate
3	2.1858.002.0	2	rivet



19\_72368\_06\_0-B-001

**AGROLUX 4.75 E ->D10S714WT1E10001**

Section: G0 - BODYWORK - CAB

Ref.: G0.02.58 (1)

**DIFFERENTIAL LOCK IDENTIFICATION PLATE**

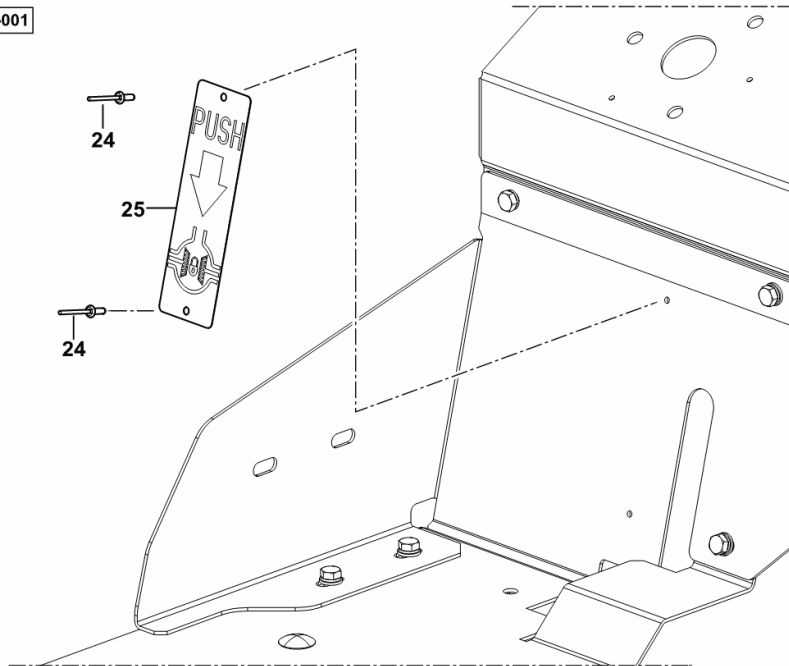
Fig.	Code	QTY	Name
------	------	-----	------

**Notes:**

- PER TIPI CON CAMBIO A 4 MARCE E 2 GAMME E CON TAPPETO PEDANA [AGROLUX 4.75 E 4WD->D10S714WT1E10001] - PER TIPI CON CAMBIO A 4 MARCE E 2 GAMME E CON TAPPETO PEDANA [AGROLUX 4.75 E 2WD->D10S714WX1E10001]

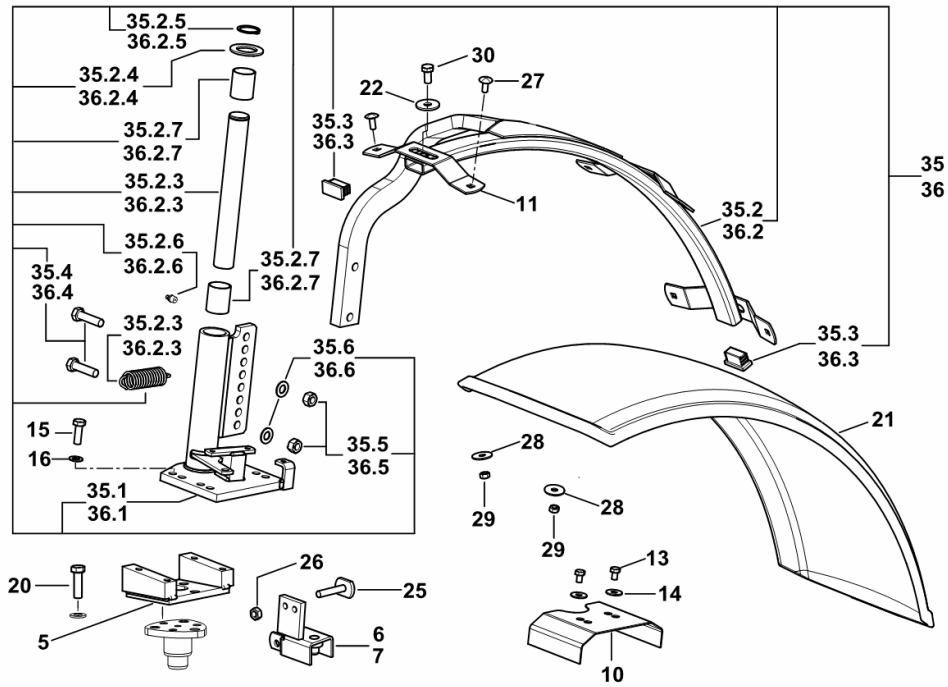
24	2.1855.010.0	2	rivet 3.4
25	2.9929.573.0	1	plate

I9\_L1176\_04\_0-B-001



**4WD - FRONT MUDGUARDS**

Fig.	Code	QTY	Name
36.6	2.1475.004.2	2	washer 12



**AGROLUX 4.75 E ->D10S714WT1E10001**

Section: G0 - BODYWORK - CAB

Ref.: G0.04.21 (1)

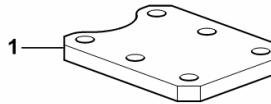
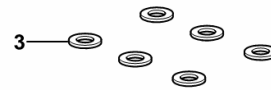
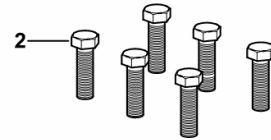
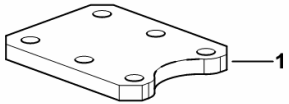
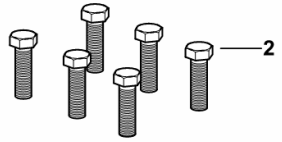
**FENDER SPACERS**

Fig.	Code	QTY	Name
------	------	-----	------

**Notes:**

[AGROLUX 4.75 E 4WD->D10S714WT1E10001] [AGROLUX 4.75 E 2WD->D10S714WX1E10001]

1	0.015.7192.0	2	spacer
2	2.0112.620.2	12	screw m 16 p.2x55
3	2.1475.006.2	12	washer 16



19\_17076\_00\_0-A-001

AGROLUX 4.75 E ->D10S714WT1E10001

Section: G0 - BODYWORK - CAB

Ref.: G0.04.38 (1)

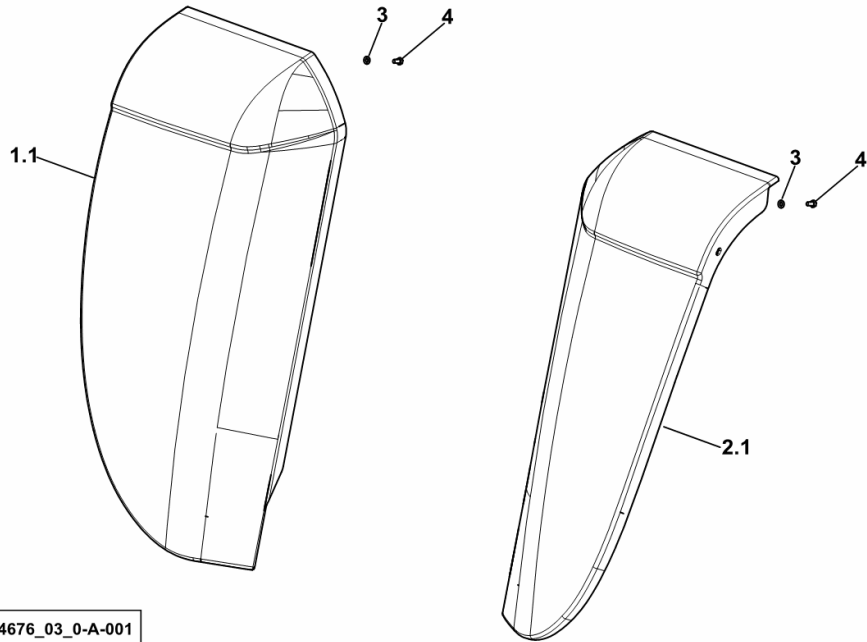
**STONE GUARD**

Fig.	Code	QTY	Name
------	------	-----	------

**Notes:**

[AGROLUX 4.75 E 4WD->D10S714WT1E10001] [AGROLUX 4.75 E 2WD->D10S714WX1E10001]

1.1	0.016.0468.3/30	1	stone guard dx/rh/re
2.1	0.016.0464.3/30	1	stone guard sx/lh/li
3	2.1310.002.2	14	washer 6.6, d125
4	2.0112.003.2	14	screw m 6 p.1 x 12



I9\_14676\_03\_0-A-001

**AGROLUX 4.75 E ->D10S714WT1E10001**

Section: G0 - BODYWORK - CAB

Ref.: G0.07.4 (1)

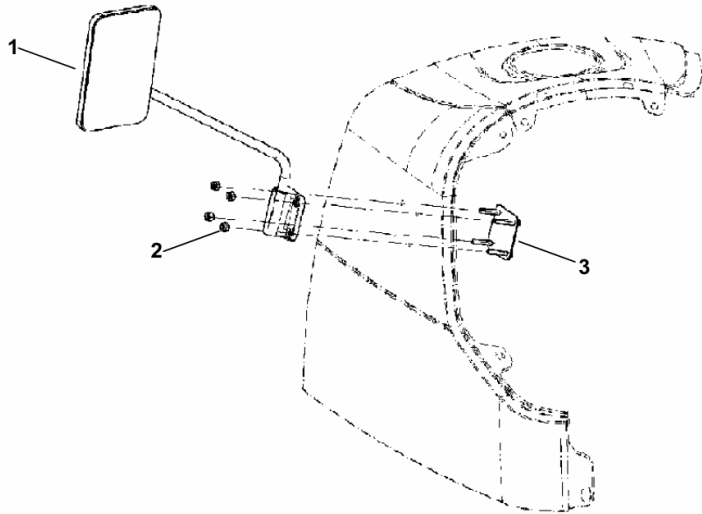
**REARVIEW MIRROR**

Fig.	Code	QTY	Name
------	------	-----	------

**Notes:**

- FOR TYPES WITHOUT COLLAPSIBLE ROPS AND RH DRIVE [AGROLUX 4.75 E 4WD->D10S714WT1E10001] -  
- FOR TYPES WITHOUT COLLAPSIBLE ROPS AND RH DRIVE [AGROLUX 4.75 E 2WD->D10S714WX1E10001]

1	0.014.6222.4	1	rear view mirror
2	2.1120.003.2	4	nut m 6
3	0.015.9883.3	1	small plate



I9\_17076\_65\_0-A-001

**AGROLUX 4.75 E ->D10S714WT1E10001**

Section: G0 - BODYWORK - CAB

Ref.: G0.08.8 (1)

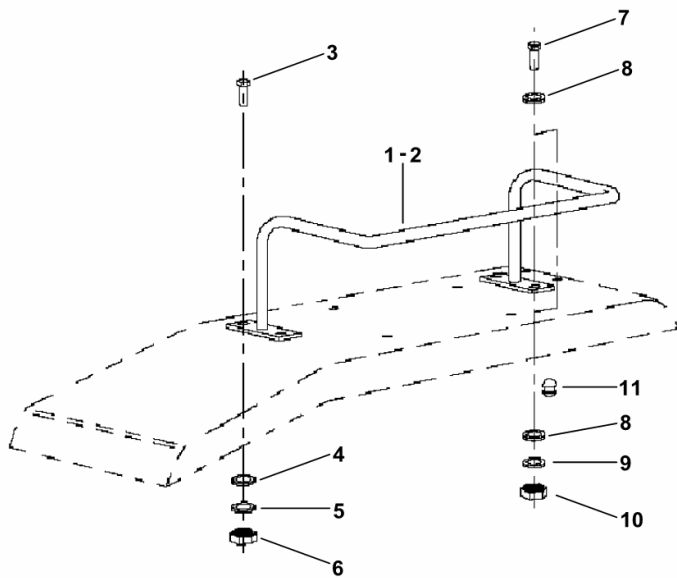
**PASSENGER SEAT BACK FRAME**

Fig.	Code	QTY	Name
------	------	-----	------

**Notes:**

[AGROLUX 4.75 E 4WD->D10S714WT1E10001] [AGROLUX 4.75 E 2WD->D10S714WX1E10001]

1	0.012.7543.2	1	backrest dx/rh/re
2	0.012.7544.2	4	backrest sx/lh/li
3	2.0112.311.2	4	screw m 10 p.1.5 x 30
4	2.1310.006.2	8	flat washer 10.5
5	2.1470.006.2	4	lock washer 10
6	2.1011.106.2	4	nut m 10 p.1.5
7	2.0112.413.2	8	screw m 12 p.1.75x35
8	2.1310.007.2	16	flat washer 13.5
9	2.1470.007.2	8	lock washer 12
10	2.1011.107.2	8	nut m 12 p.1.75
11	0.012.7676.0	8	plug



19\_72376\_05\_0-A-001

**AGROLUX 4.75 E ->D10S714WT1E10001**

Section: G0 - BODYWORK - CAB

Ref.: G0.12.4 (1)

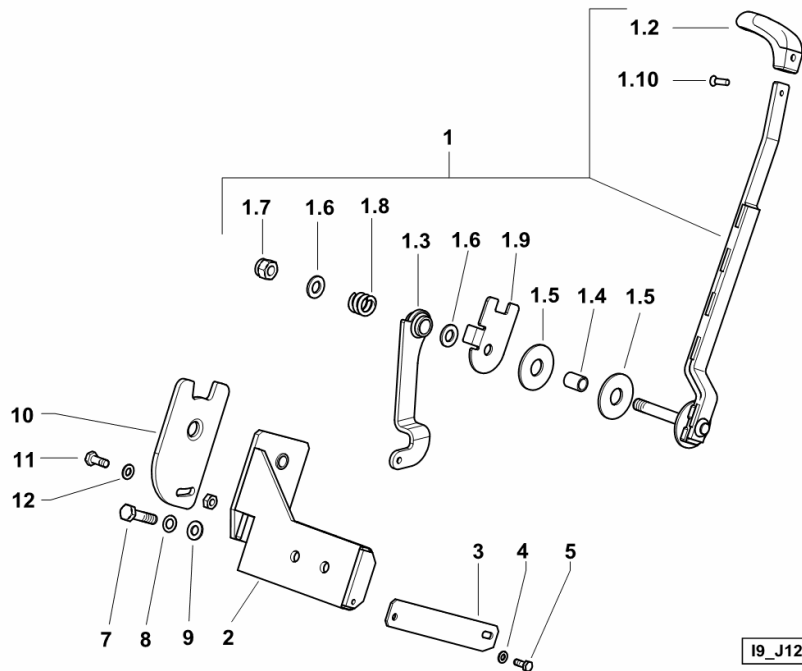
**HAND CONTROL FOR MECHANICAL THROTTLE**

Fig.	Code	QTY	Name
------	------	-----	------

**Notes:**

[AGROLUX 4.75 E 4WD->D10S714WT1E10001] [AGROLUX 4.75 E 2WD->D10S714WX1E10001]

1	0.015.4147.4/10	1	lever
1.2	0.013.3896.0	1	knob
1.3	0.015.9681.2	1	small lever
1.4	2.1569.058.0	2	gasket 18.5x50x3
1.5	2.1579.809.0	1	spacer 12x16x20.5
1.6	2.1310.007.2	2	flat washer 13.5
1.7	2.1120.007.2	1	nut m 12 p.1.75
1.8	2.4019.022.2	1	spring 23x20x4.5
1.9	0.015.9682.0	1	cap-washer
1.10	2.0322.407.3	1	screw m 6 p.1 x 20
2	0.015.2951.3/10	1	plate
3	0.015.5296.0/10	1	bracket
4	2.1310.002.2	2	washer 6.6, d125
5	2.0112.005.2	2	screw m 6 p.1 x 16
7	2.0112.315.2	2	screw m 10 p.1.5 x 40
8	2.1470.006.2	2	lock washer 10
9	2.1310.006.2	2	flat washer 10.5
10	0.015.9683.0	1	plate
11	2.0112.207.2	1	screw m 8 p 1.25 x 20
12	2.1310.004.2	1	flat washer 8.5



**AGROLUX 4.75 E ->D10S714WT1E10001**

Section: G0 - BODYWORK - CAB

Ref.: G0.15.3 (1)

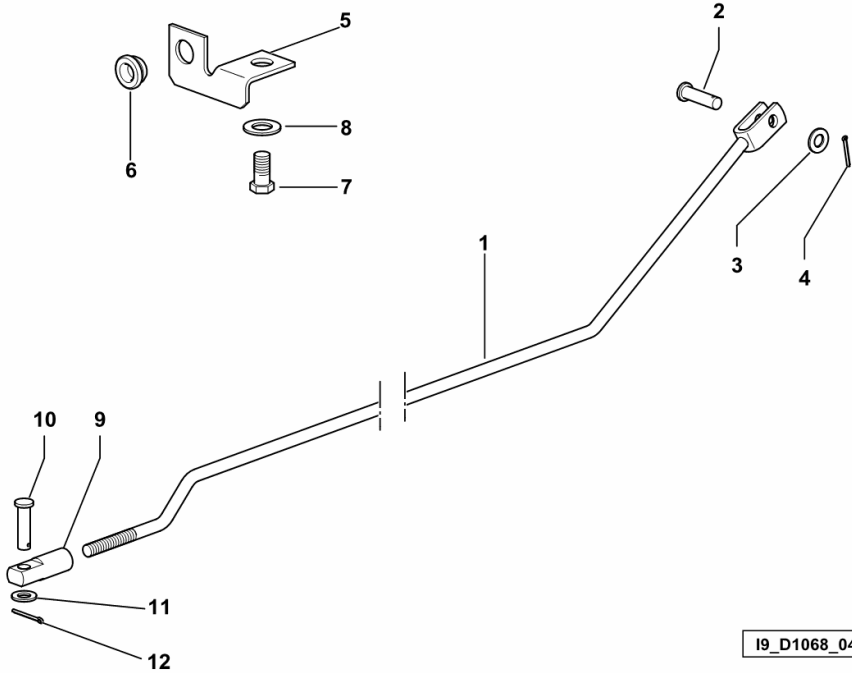
**FRONT DIFFERENTIAL LOCK CONTROL**

Fig.	Code	QTY	Name
------	------	-----	------

**Notes:**

- 4WD [AGROLUX 4.75 E 4WD->D10S714WT1E10001]

1	0.012.8181.2/20	1	rod
2	2.1671.306.2	1	pin 8x25
3	2.1310.004.2	2	flat washer 8.5
4	2.1690.206.2	1	split pin 2x16
5	0.255.6877.0	1	bracket
6	0.255.6858.0/10	1	rubber plug 18x5
7	2.0112.407.2	1	screw m 12 p.1.75 x 20
8	2.1310.007.2	1	flat washer 13.5
9	0.9107.661.0/20	1	tip
10	2.1671.305.2	1	pin 8x22
11	2.1310.004.2	1	flat washer 8.5
12	2.1690.208.2	1	split pin 2 x 20



I9\_D1068\_04\_0-A-001

**AGROLUX 4.75 E ->D10S714WT1E10001**

Section: G0 - BODYWORK - CAB

Ref.: G0.19.2 (2)

**METAL TOOLBOX**

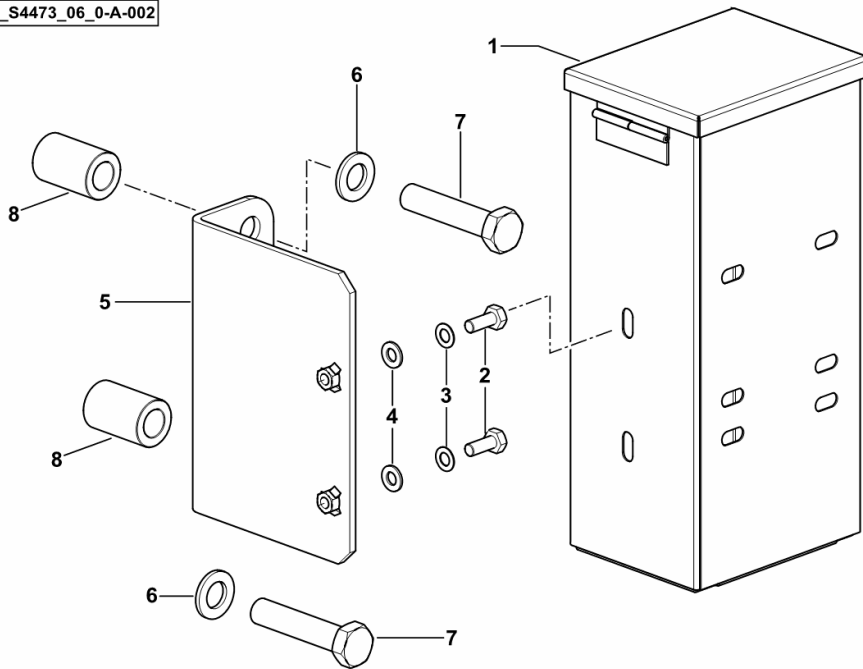
Fig.	Code	QTY	Name
------	------	-----	------

**Notes:**

- PER TIPI CON ARCO DI SICUREZZA ABBATTIBILE [AGROLUX 4.75 E 4WD->D10S714WT1E10001] -> 10029 -  
 PER TIPI CON ARCO DI SICUREZZA ABBATTIBILE [AGROLUX 4.75 E 2WD->D10S714WX1E10001] -> 10029

1	0.467.7317.3/70	1	metal toolbox
2	2.0132.006.2	2	screw m 8 p.1.25 x 20
3	2.1470.004.2	2	washer 8
4	2.1310.004.2	2	flat washer 8.5
5	0.017.8017.3/10	1	bracket L = 140 mm
6	2.1310.010.2	2	flat washer 16
7	2.0112.624.2	2	screw
8	2.1579.811.2	2	spacer 16.5x30x46

19\_S4473\_06\_0-A-002



**AGROLUX 4.75 E ->D10S714WT1E10001**

Section: G0 - BODYWORK - CAB

Ref.: G0.20.4 (1)

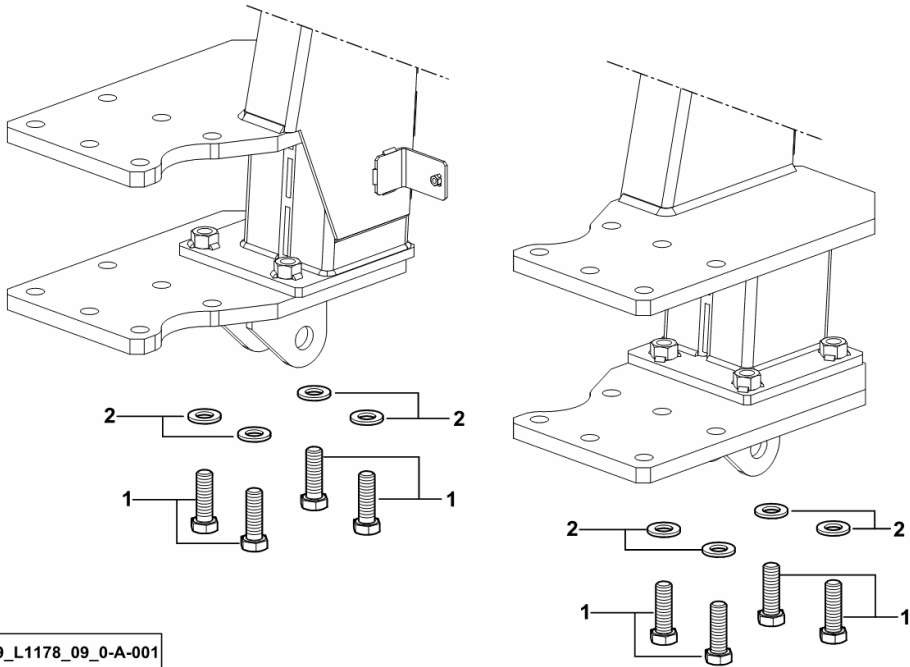
**SAFETY ROLL BAR MOUNTINGS**

Fig.	Code	QTY	Name
------	------	-----	------

**Notes:**

[AGROLUX 4.75 E 4WD->D10S714WT1E10001] [AGROLUX 4.75 E 2WD->D10S714WX1E10001]

1	2.0113.619.2	8	screw m 16 p.2x50
2	2.1475.006.2	8	washer 16



19\_L1178\_09\_0-A-001

**AGROLUX 4.75 E ->D10S714WT1E10001**

Section: L0 - ELECTRIC AL SYSTEM

Ref.: L0.02.2 (1)

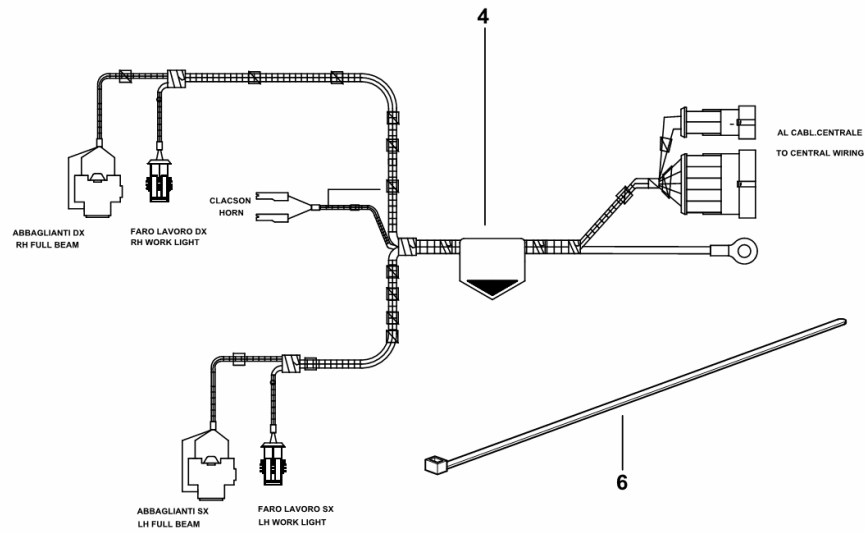
**HEADLIGHTS / HORN WIRING**

Fig.	Code	QTY	Name
------	------	-----	------

**Notes:**

- FOR LEFT-HAND DRIVE [AGROLUX 4.75 E 4WD->D10S714WT1E10001] - FOR LEFT-HAND DRIVE [AGROLUX 4.75 E 2WD->D10S714WX1E10001]

4	0.015.3651.4	1	electrical system
6	2.6852.203.0	14	clamp 292 x 4.8



19\_I2985\_02\_0-A-001

**AGROLUX 4.75 E ->D10S714WT1E10001**

Section: L0 - ELECTRIC AL SYSTEM

Ref.: L0.02.21 (2)

**REAR LIGHTS ELECTRICAL SYSTEM - SINGLE POLE SOCKET**

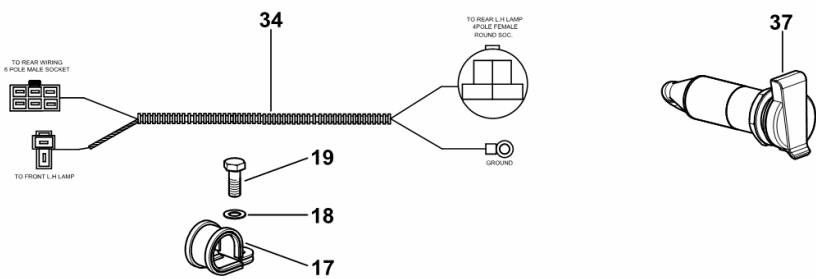
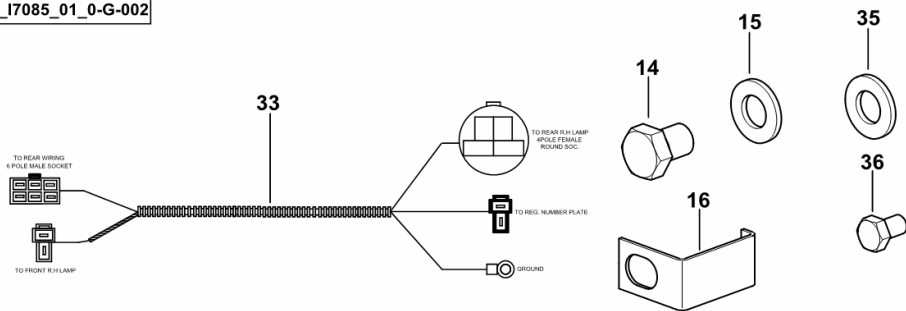
Fig.	Code	QTY	Name
------	------	-----	------

**Notes:**

[AGROLUX 4.75 E 4WD->D10S714WT1E10001] [AGROLUX 4.75 E 2WD->D10S714WX1E10001]

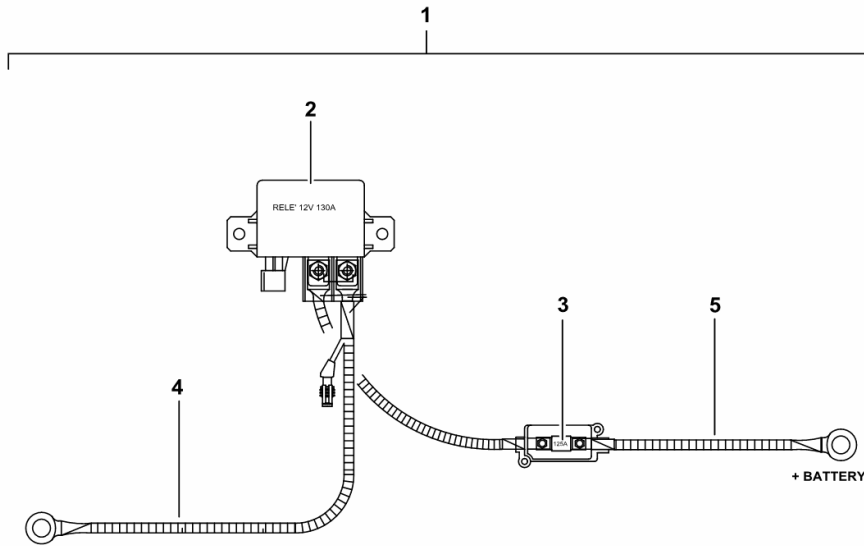
14	2.0112.607.2	2	screw m 16 p.2x20
15	2.1310.010.2	2	flat washer 16
16	0.010.6074.0	1	bracket
17	2.6859.065.2	1	clamp Ø 18
18	2.1310.006.2	1	flat washer 10.5
19	2.0112.305.2	1	screw m 10 p.1.5 x 16
33	0.012.8134.0	1	wire dx/rh/re
34	0.012.8133.0	1	wire sx/lh/li
35	2.1475.006.7	1	washer 17x32
36	2.0112.305.2	2	screw m 10 p.1.5 x 16
37	0.008.1550.0	1	socket

19\_I7085\_01\_0-G-002



**ELECTRICAL SYSTEM**

Fig.	Code	QTY	Name
1	0.015.3653.4	1	electrical system
2	0.900.0861.1	1	relay 12 V 130A
3	0.900.0018.3	1	fuse 125 A midival
4	0.900.0946.0	1	wire
5	0.900.0946.1	1	wire



0.015.3653.4

**AGROLUX 4.75 E ->D10S714WT1E10001**

Section: L0 - ELECTRIC AL SYSTEM

Ref.: L0.04.17 (1)

**PRESSURE SWITCH FOR BRAKE LIGHTS**

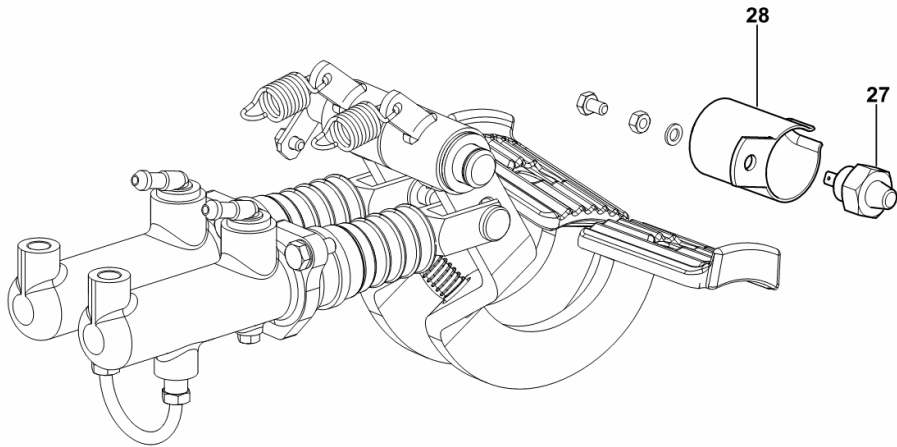
Fig.	Code	QTY	Name
------	------	-----	------

**Notes:**

- FOR TYPES W/ PREHEATING [AGROLUX 4.75 E 4WD->D10S714WT1E10001] - FOR TYPES W/ PREHEATING [AGROLUX 4.75 E 2WD->D10S714WX1E10001]

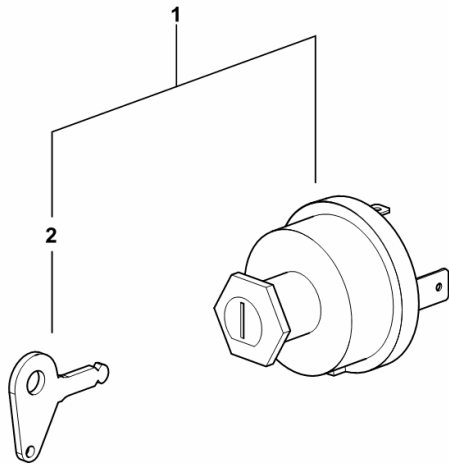
27	2.7099.490.0/10	1	switch 5 BAR
28	0.015.7102.2/10	1	cover

19\_Q0884\_01\_0-D-001



**IGNITION BLOCK**

Fig.	Code	QTY	Name
1	2.7659.147.0/10	1	switch
2	0.900.1403.2	1	ignition key



2\_7659\_147\_0-10

**AGROLUX 4.75 E ->D10S714WT1E10001**

Section: L0 - ELECTRIC AL SYSTEM

Ref.: L0.08.16 (1)

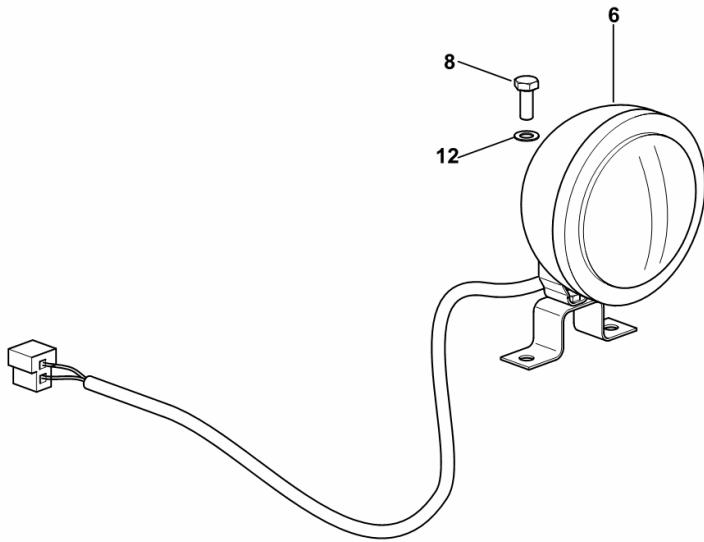
**REAR WORKLIGHT**

Fig.	Code	QTY	Name
------	------	-----	------

**Notes:**

[AGROLUX 4.75 E 4WD-&gt;D10S714WT1E10001] [AGROLUX 4.75 E 2WD-&gt;D10S714WX1E10001]

6	2.8039.015.0/20	1	headlight
8	2.0112.309.2	1	screw m 10 p.1.5 x 25
12	2.1470.006.2	1	lock washer 10



I9\_I7085\_01\_0-E-001

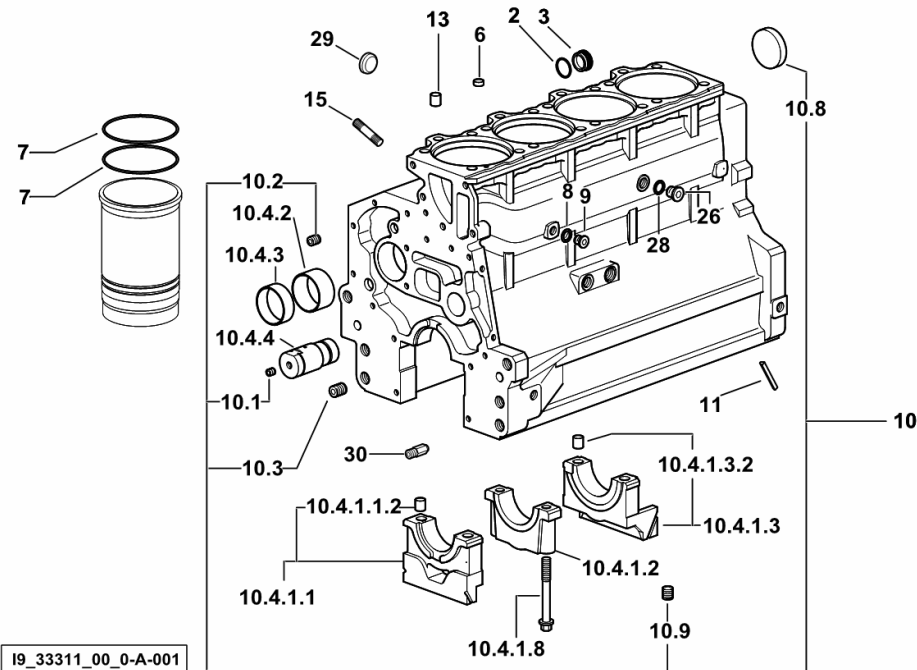
**CRANKCASE**

Fig.	Code	QTY	Name
------	------	-----	------

**Notes:**

[AGROLUX 4.75 E 4WD->D10S714WT1E10001] [AGROLUX 4.75 E 2WD->D10S714WX1E10001]

2	2.1539.047.0	1	'o' ring 26.7x1.78
3	2.3199.405.2	1	plug m 28 p.1.5
6	2.1559.188.2	4	sleeve 11.4 x 14 x16
7	2.1539.259.0	8	'o' ring 107.62x2.62
8	2.1560.010.0	1	gasket 14.2 x 20 x 1.5
9	2.3199.292.0	1	plug 1/4" gas
10	0.082.1110.6/20	1	crankcase
10.1	2.3130.001.1	11	plug 1/8" gas
10.2	2.3130.002.1	2	plug 1/4" gas
10.3	2.3130.003.1	5	plug 3/8" gas
10.4.1.1	0.065.1112.3	1	support
10.4.1.1.2	2.1699.165.0	1	sleeve 12.3x15x16
10.4.1.2	0.065.1114.0/10	3	support
10.4.1.3	0.065.1116.3	1	support
10.4.1.3.2	2.1699.165.0	1	sleeve 12.3x15x16
10.4.1.8	0.065.1117.0	10	screw m 12 x 100
10.4.2	0.012.0829.0	4	bushing 59X55X20
10.4.3	0.012.0830.0	1	bushing 59X55X30
10.4.4	0.014.1340.0/10	1	pin L = 85 mm
10.8	2.3179.012.0	1	plug 60
10.9	2.1324.011.0	1	plug m 14 p.1.5x8
11	0.066.1152.0/10	4	gasket
13	2.1549.154.2	4	sleeve 4.8x5.8x16
15	2.0432.003.7	14	stud bolt m 8 p.1.25 / p.1 x 20
26	2.3120.101.0	1	plug m 18 p.1.5
28	2.1560.014.0	1	gasket 18.2 x 24 x 1.5
29	2.3171.010.4	1	plug 25
30	0.013.4946.0/10	1	cooling nozze

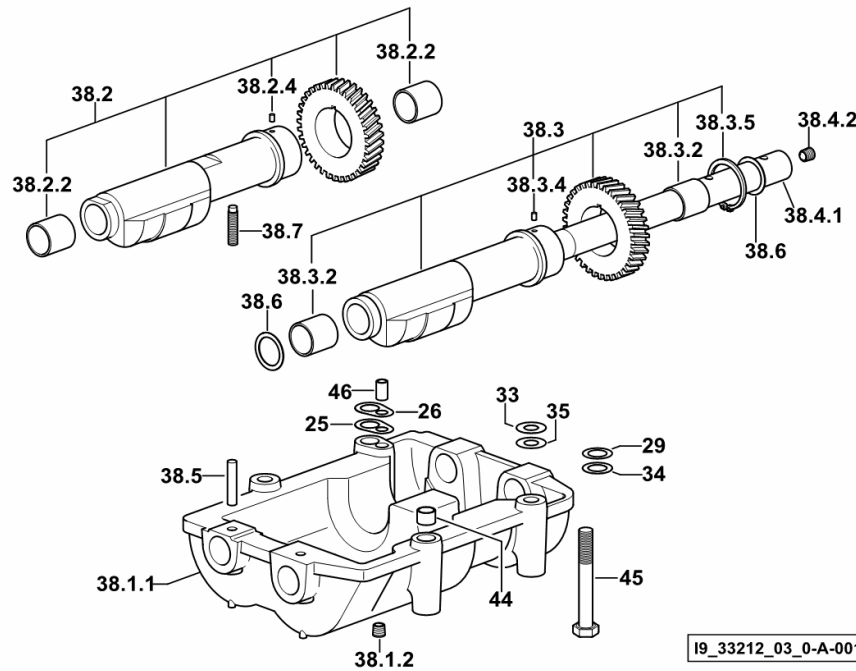


Section: B0 - ENGINE  
**COUNTERWEIGHTS**

Fig.	Code	QTY	Name
------	------	-----	------

Notes:

[AGROLUX 4.75 E 4WD->D10S714WT1E10001] [AGROLUX 4.75 E 2WD->D10S714WX1E10001]



25	2.1589.139.0	1	snoulder mm 0.3
26	2.1589.140.0	3	snoulder mm 0.1
29	2.1579.628.0	3	spacer 16.5x26x0.1
33	2.1579.629.0	6	spacer 12.5x26x0.1
34	2.1589.048.0	1	snoulder 16.5x26x0.3
35	2.1589.049.0	1	snoulder 12.5x26x0.3
38.1.1	0.086.1231.0/10	1	box
38.1.2	2.3130.001.1	4	plug 1/8" gas
38.2	0.086.1233.3/30	1	mass sx/lh/li
38.2.2	2.1559.115.0	2	bushing 26x30x30
38.2.4	2.1651.302.0	1	roll pin 4x6
38.3	0.065.1233.3/30	1	mass dx/rh/re
38.3.2	2.1559.115.0	2	bushing 26x30x30
38.3.4	2.1651.302.0	1	roll pin 4x6
38.3.5	2.1410.018.1	1	circlip 45
38.4.1	0.065.1234.0/10	1	shaft
38.4.2	2.3130.001.1	1	plug 1/8" gas
38.5	2.1631.717.0	2	roll pin 8 x 40
38.6	2.1589.185.0	4	snoulder 26.1x34x1
38.7	2.0522.212.7	1	screw m 8 p.1.25 x 30
44	2.1579.626.0	2	spacer 13.2x16x11
45	2.0139.028.2	4	screw m 12
46	2.1699.191.0	1	sleeve 7x10x16

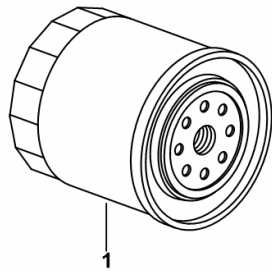
**ENGINE OIL FILTER**

Fig.	Code	QTY	Name
------	------	-----	------

**Notes:**

[AGROLUX 4.75 E 4WD->D10S714WT1E10001] 10001 <-

1	0.044.1567.0/10	1	oil filter element R 380
---	-----------------	---	--------------------------



19\_N8915\_04\_0-A-001

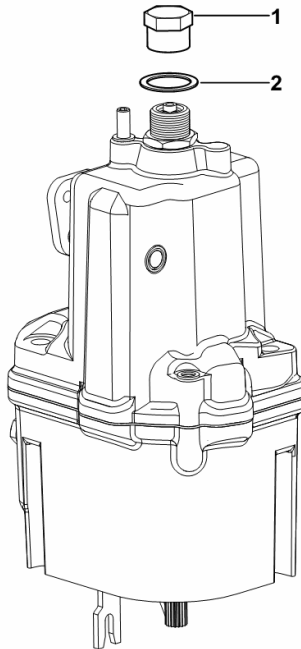
**PLUG FOR MECHANICAL REGULATOR**

Fig.	Code	QTY	Name
------	------	-----	------

**Notes:**

[AGROLUX 4.75 E 4WD->D10S714WT1E10001] [AGROLUX 4.75 E 2WD->D10S714WX1E10001]

1	2.3119.025.2	1	plug m 18 p.1.5
2	2.1560.016.0	1	gasket 20.2 x 26



I9\_N8916\_04\_0-A-001

CLICK HERE TO **DOWNLOAD** THE COMPLETE MANUAL

- Thank you very much for reading the preview of the manual.
- You can download the complete manual from: [www.heydownloads.com](http://www.heydownloads.com) by clicking the link below



- Please note: If there is no response to CLICKING the link, please download this PDF first and then click on it.

CLICK HERE TO **DOWNLOAD** THE COMPLETE MANUAL

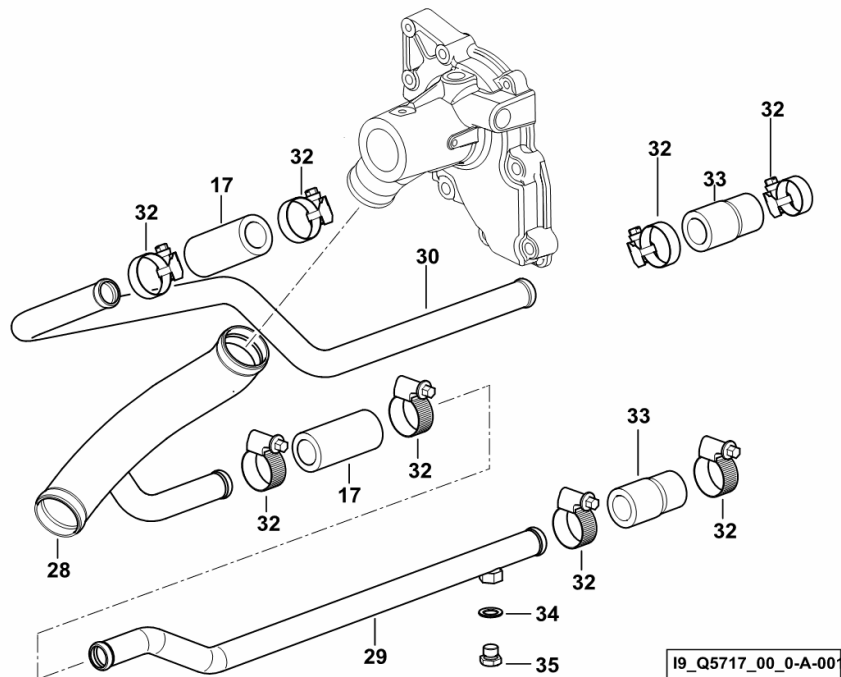
**WATER PUMP HOSES**

Fig.	Code	QTY	Name
------	------	-----	------

**Notes:**

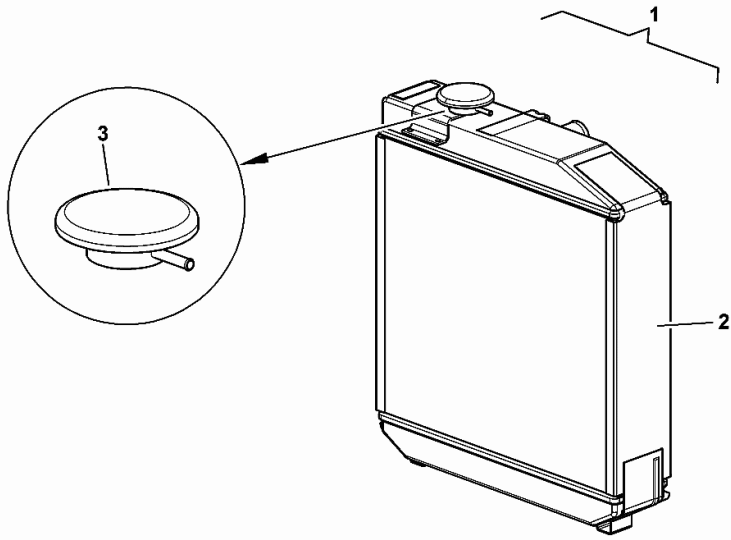
[AGROLUX 4.75 E 4WD->D10S714WT1E10001] [AGROLUX 4.75 E 2WD->D10S714WX1E10001]

17	0.007.0678.0/10	2	sleeve 18x28x60
28	0.010.0155.3/20	1	tube
29	0.010.0159.2	1	tube
30	0.015.2224.0	1	tube
32	2.6851.002.0	8	clamp Ø 20/32
33	0.007.1228.0/10	2	sleeve
34	2.1560.006.0	1	gasket 10.2 x 16
35	2.3110.401.1	1	plug m 10 p.1x8



**WATER COOLER**

Fig.	Code	QTY	Name
1	0.014.6172.2	1	water cooler
2	0.000.0000.1	0	not serviceable
3	0.012.1262.0	1	plug



0.014.6172.2

**AGROLUX 4.75 E ->D10S714WT1E10001**

Section: C0 - ENGINE ACCESSORIES

Ref.: C0.03.9 (1)

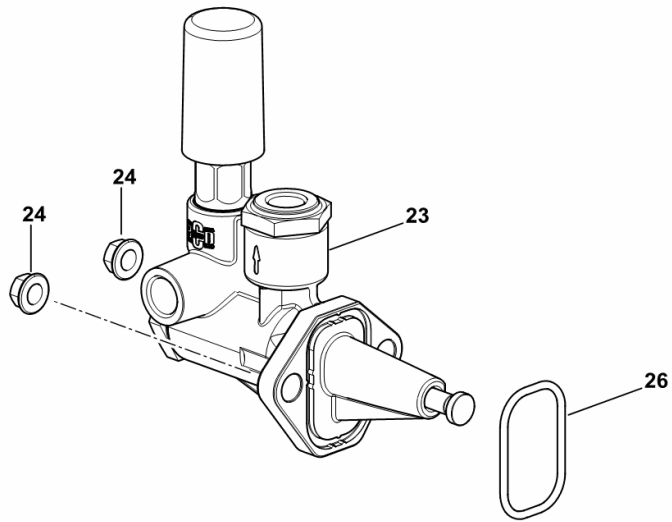
**FUEL FEED PUMP**

Fig.	Code	QTY	Name
------	------	-----	------

**Notes:**

[AGROLUX 4.75 E 4WD->D10S714WT1E10001] [AGROLUX 4.75 E 2WD->D10S714WX1E10001]

23	2.4519.330.0/50	1	feed pump ☞ 2.4519.330.0/50
24	2.1099.159.2/10	2	nut m 8
26	2.1539.045.0	1	'o' ring 37.77x2.62



19\_Q6016\_00\_0-B-001

**AGROLUX 4.75 E ->D10S714WT1E10001**

Section: C0 - ENGINE ACCESSORIES

Ref.: C0.06.3 (1)

**EXHAUST SILENCER**

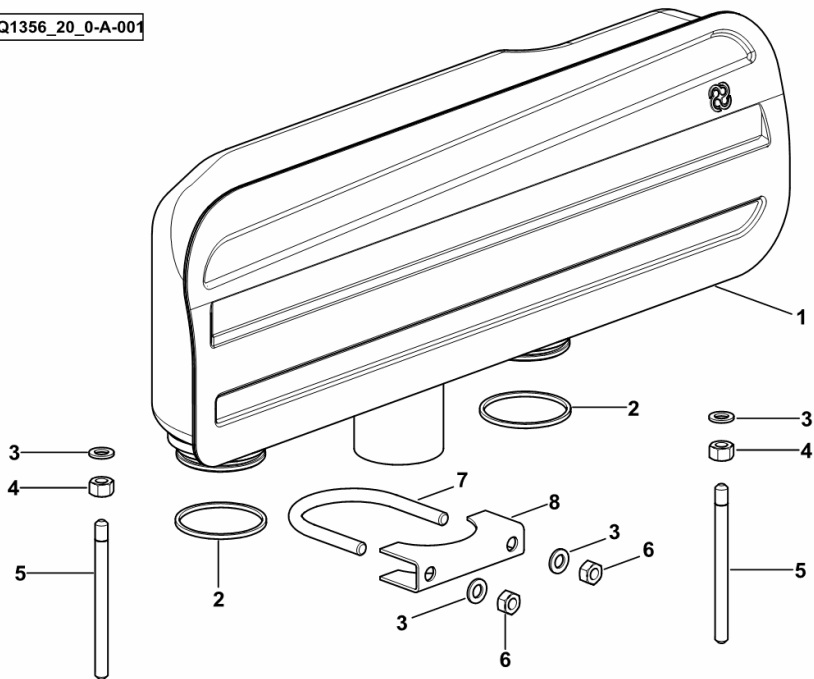
Fig.	Code	QTY	Name
------	------	-----	------

**Notes:**

[AGROLUX 4.75 E 4WD->D10S714WT1E10001] [AGROLUX 4.75 E 2WD->D10S714WX1E10001]

1	0.007.7014.2/30	1	silencer
2	2.1499.113.0	2	ring
3	2.1474.009.2	4	spring washer 8
4	2.1019.033.0	2	special nut m 8 p.1 x 8
5	2.0432.023.7	2	stud bolt m 8 p. x 90
6	2.1011.105.2	2	nut m 8 p.1.25
7	0.007.1441.0/10	1	u bolt
8	0.007.1440.0	1	clamp

19\_Q1356\_20\_0-A-001



**AGROLUX 4.75 E ->D10S714WT1E10001**

Section: F0 - FRONT AXLE

Ref.: F0.02.8 (1)

**2WD - STEERING LEVERS**

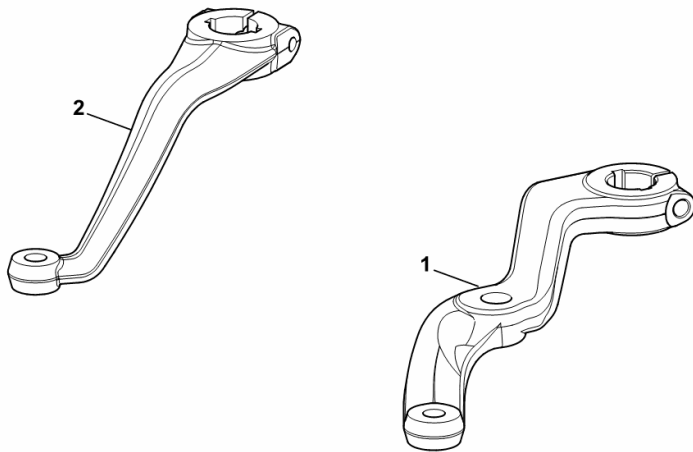
Fig.	Code	QTY	Name
------	------	-----	------

**Notes:**

- FOR TYPES WITH EXTENDIBLE AXLE SHAFT [AGROLUX 4.75 E 2WD->D10S714WX1E10001]

1	0.467.4233.0/30	1	lever sx/lh/li
2	0.427.4232.0/30	1	lever dx/rh/re

I9\_I7142\_09\_0-A-001

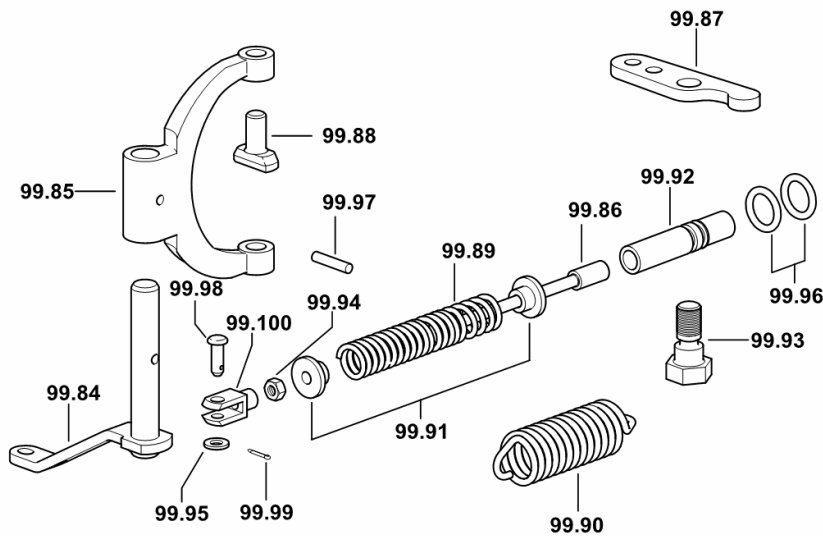


**4WD - DIFFERENTIAL LOCK CONTROL-FRONT**

Fig.	Code	QTY	Name
------	------	-----	------

**Notes:**

[AGROLUX 4.75 E 4WD->D10S714WT1E10001]



99.84	0.007.2705.2/10	1	lever ( -> 10001 )
99.85	0.467.4657.0/10	1	fork
99.86	0.467.4659.0/10	1	ferrule
99.87	0.467.4658.0/20	1	clutch lever
99.88	0.467.4660.0	2	shoe
99.89	2.4019.397.2	1	spring
99.90	2.4049.164.2	1	spring
99.91	0.272.4651.0	2	spacer
99.92	2.1699.276.0	1	pin
99.93	2.0399.120.2/10	1	screw m 10x32
99.94	2.1011.103.2	1	nut m 6 p.1
99.95	2.1310.002.2	1	washer 6.6, d125
99.96	2.1530.024.0	2	'o' ring 10.78 x 2.62
99.97	2.1630.511.0	1	roll pin 5x24
99.98	2.1671.103.2	1	pin 6x18
99.99	2.1690.205.2	1	split pin 2x12
99.100	2.3510.003.2	1	fork m 6

9\_D1046\_00\_0-C-001

AGROLUX 4.75 E ->D10S714WT1E10001

Section: F0 - FRONT AXLE

Ref.: F0.06.2 (1)

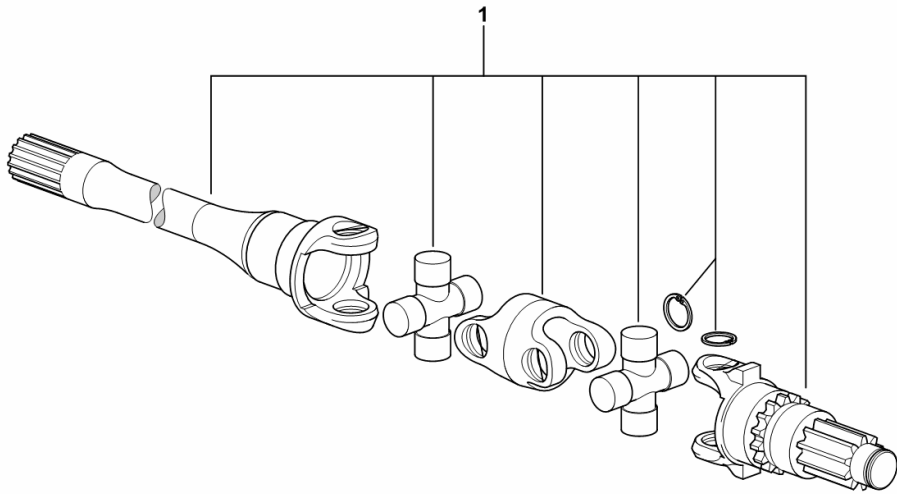
4WD - AXLESHAFTS

Fig.	Code	QTY	Name
------	------	-----	------

Notes:

- FOR TYPES WITHOUT FRONT BRAKES [AGROLUX 4.75 E 4WD->D10S714WT1E10001]

1	0.009.6694.4/30	2	joint 0.009.6694.4/30
---	-----------------	---	--------------------------



9\_58946\_04\_0-A-001

**AGROLUX 4.75 E ->D10S714WT1E10001**

Section: H0 - HYDRAULIC AND PNEUMATIC SYSTEM|

Ref.: H0.01.17 (1)

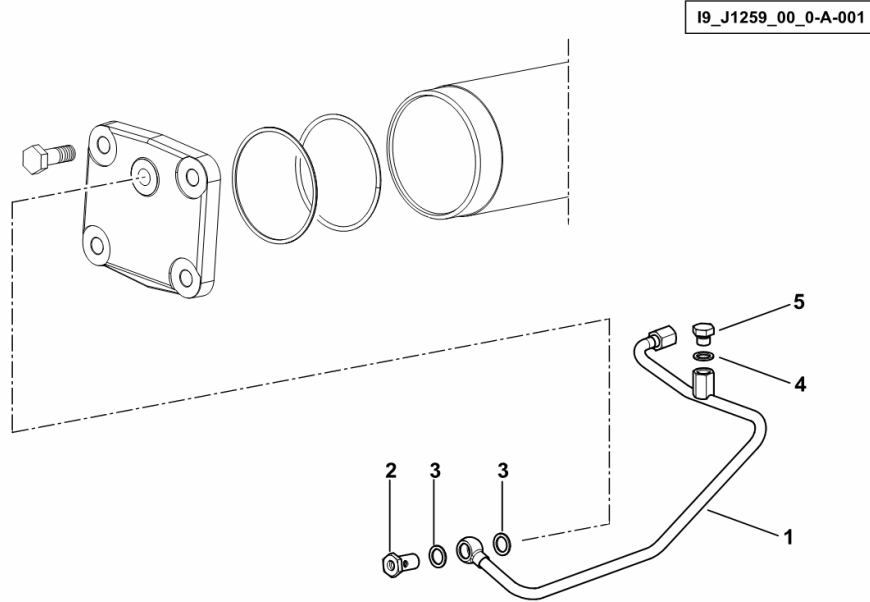
**HOSE FROM REAR LIFT CYLINDER TO REAR CONTROL VALVE**

Fig.	Code	QTY	Name
------	------	-----	------

**Notes:**

[AGROLUX 4.75 E 4WD->D10S714WT1E10001] [AGROLUX 4.75 E 2WD->D10S714WX1E10001]

1	0.009.3193.3/30	1	tube
2	2.3335.006.2	1	pipe union m 14 p.1.5x24
3	2.1560.010.0	2	gasket 14.2 x 20 x 1.5
4	2.1560.007.0	1	gasket 12.2x16
5	2.3110.402.1	1	plug m 12 p.1.5x10



**AGROLUX 4.75 E ->D10S714WT1E10001**

Section: H0 - HYDRAULIC AND PNEUMATIC SYSTEM|

Ref.: H0.02.2 (1)

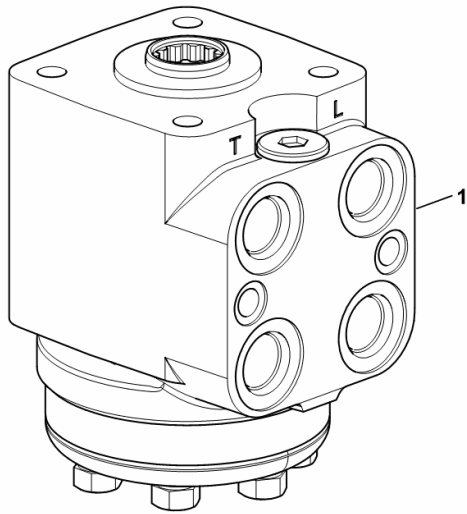
**HYDRAULIC STEERING GEAR - 2WD**

Fig.	Code	QTY	Name
------	------	-----	------

**Notes:**

- 2WD [AGROLUX 4.75 E 2WD->D10S714WX1E10001]

1	2.4569.001.0	1	hydrosteering ST Z OR 80 M 100 -LNV- ☞ 2.4569.001.0
---	--------------	---	--



19\_A4863\_00\_0-A-001

**AGROLUX 4.75 E ->D10S714WT1E10001**

Section: H0 - HYDRAULIC AND PNEUMATIC SYSTEM|

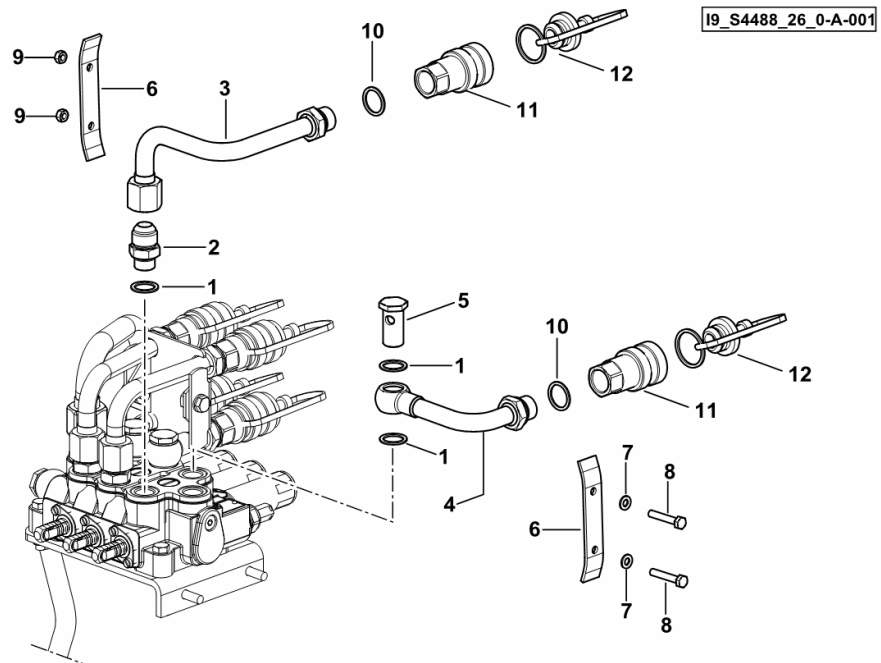
Ref.: H0.07.4 (1)

**HYDRAULIC SYSTEM - COMPLETION FOR 6-WAY CONTROL VALVE**

Fig.	Code	QTY	Name
------	------	-----	------

**Notes:**

[AGROLUX 4.75 E 4WD->D10S714WT1E10001] [AGROLUX 4.75 E 2WD->D10S714WX1E10001]



1	2.1560.014.0	3	gasket 18.2 x 24 x 1.5
2	2.3261.010.2	1	pipe fitting m 18 p.1.5 - 7/8" 14
3	0.015.6160.3/10	1	tube
4	0.015.6161.3/10	1	tube
5	2.3339.295.2/10	1	pipe union m 18 p.1.5 x 35
6	0.015.6165.0	2	small plate
7	2.1310.002.2	2	washer 6.6, d125
8	2.0112.013.2	2	screw m 6 p.1 x 35
9	2.1011.103.2	2	nut m 6 p.1
10	2.1560.054.0	2	gasket 21 x 26
11	0.98308.50.3/10	2	coupling ☞ 0.98308.50.3/10
12	0.013.7997.0	2	plug

**AGROLUX 4.75 E ->D10S714WT1E10001**

Section: H0 - HYDRAULIC AND PNEUMATIC SYSTEM|

Ref.: H0.09.6 (1)

**BRAKE PIPES**

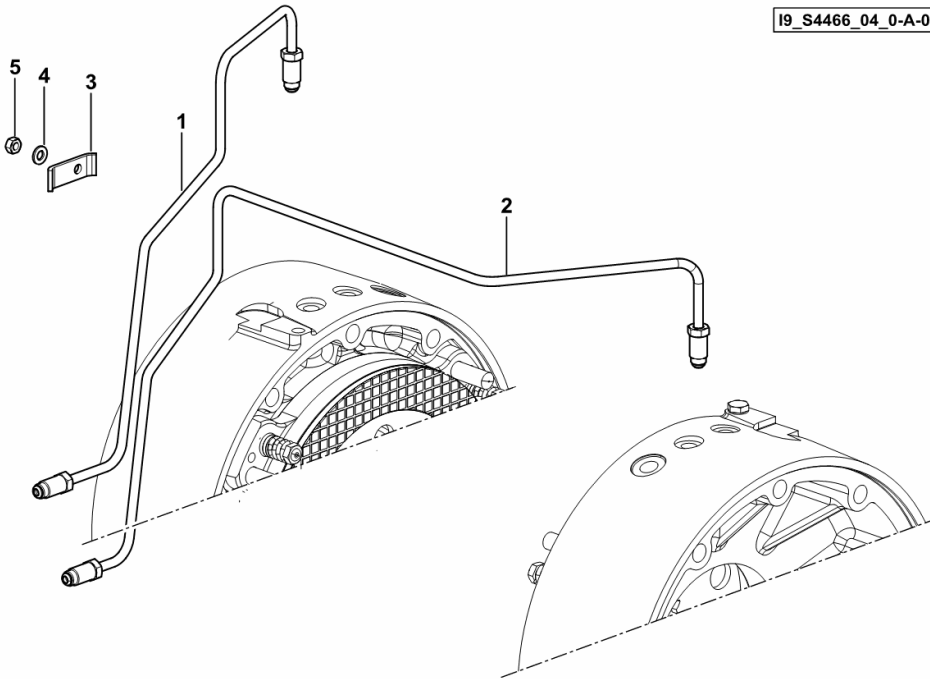
Fig.	Code	QTY	Name
------	------	-----	------

**Notes:**

[AGROLUX 4.75 E 4WD->D10S714WT1E10001] [AGROLUX 4.75 E 2WD->D10S714WX1E10001]

1	0.016.7599.3	1	tube
2	0.016.7600.3	1	tube
3	0.016.7835.0	1	bracket
4	2.1310.002.2	1	washer 6.6, d125
5	2.1011.103.2	1	nut m 6 p.1

I9\_S4466\_04\_0-A-001



**AGROLUX 4.75 E ->D10S714WT1E10001**

Section: H0 - HYDRAULIC AND PNEUMATIC SYSTEM|

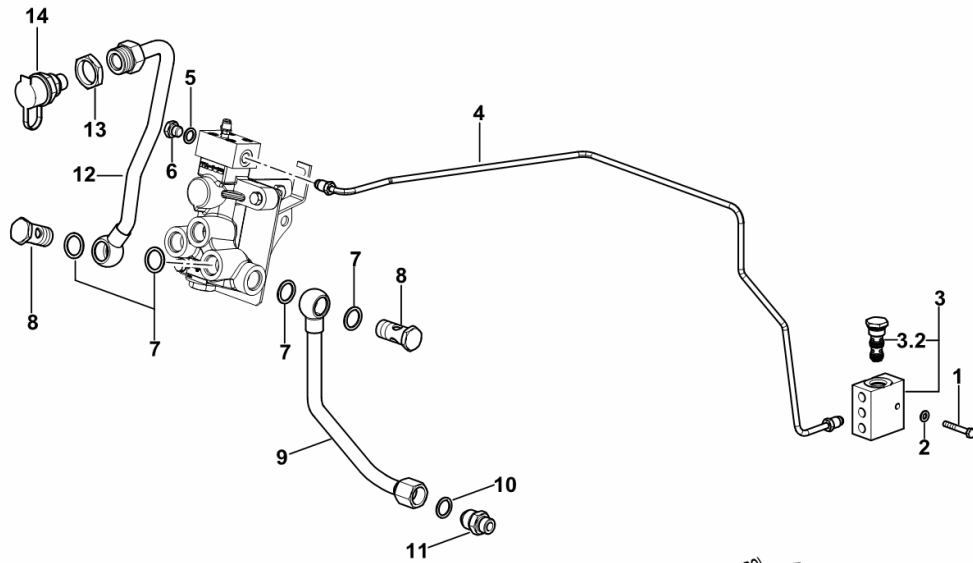
Ref.: H0.09.21 (1)

**HYDRAULIC TRAILER BRAKING SYSTEM**

Fig.	Code	QTY	Name
------	------	-----	------

**Notes:**

- EXPORT F [AGROLUX 4.75 E 4WD->D10S714WT1E10001] - EXPORT F [AGROLUX 4.75 E 2WD->D10S714WX1E10001]



1	2.0112.015.2	1	screw m 6 p.1x40
2	2.1310.002.2	1	washer 6.6, d125
3	0.007.6244.4/10	1	valve
3.2	2.3719.760.0/20	1	valve
4	0.016.5258.3	1	tube
5	2.1560.008.0	1	gasket 12.2 x 18
6	2.3110.422.2	1	plug m 12
7	2.1560.018.0	4	gasket 22.2 x 29
8	2.3335.009.2	2	pipe union m 22 p.1.5 x 39
9	0.017.1698.3	1	tube
10	2.3261.010.2	1	pipe fitting m 18 p.1.5 - 7/8" 14
11	2.1560.014.0	1	gasket 18.2 x 24 x 1.5
12	0.016.4998.3	1	tube
13	2.1019.091.2	1	special nut m 30 p.1.5x8
14	0.011.0433.4/10	1	coupling

SENSO DI MARCIA (LATO DESTRO)  
FORWARD SPEED (RIGHT SIDE)

19\_S4489\_05\_0-A-001

AGROLUX 4.75 E ->D10S714WT1E10001

Section: E0 - REAR AXLE

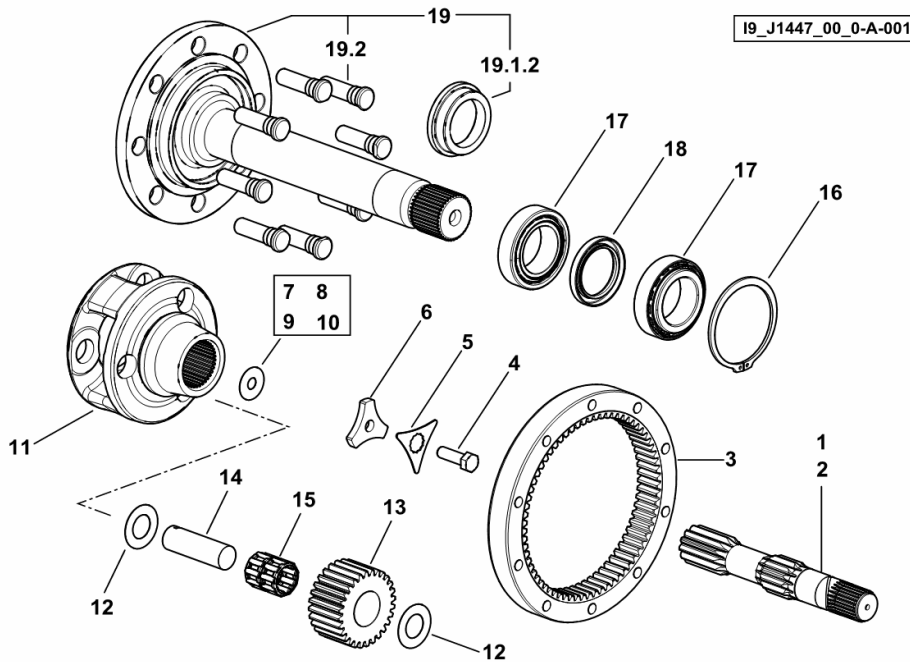
Ref.: E0.02.7 (1)

REAR REDUCTION GEARS AND AXLE SHAFTS

Fig.	Code	QTY	Name
------	------	-----	------

Notes:

- FOR TYPES WITH 1 BRAKE DISK HEAVY DUTY REAR AXLE [AGROLUX 4.75 E 4WD->D10S714WT1E10001] -
- FOR TYPES WITH 2 BRAKE DISK HEAVY DUTY REAR AXLE [AGROLUX 4.75 E 4WD->D10S714WT1E10001] -
- FOR TYPES WITH 1 BRAKE DISK HEAVY DUTY REAR AXLE [AGROLUX 4.75 E 2WD->D10S714WX1E10001] -
- FOR TYPES WITH 2 BRAKE DISK HEAVY DUTY REAR AXLE [AGROLUX 4.75 E 2WD->D10S714WX1E10001]



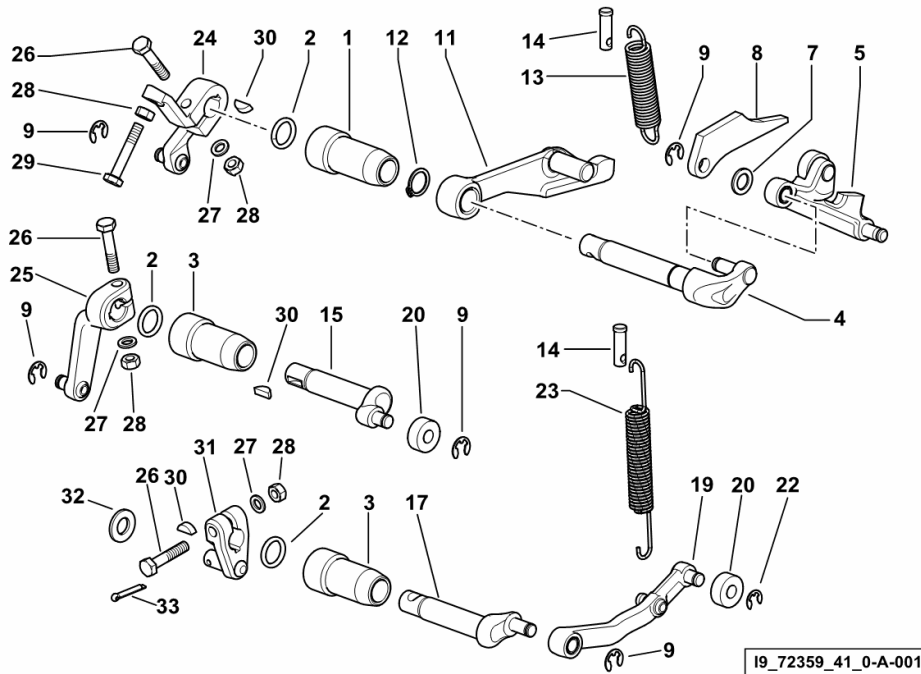
1	0.015.4135.0	1	half-shaft mm 301.5
2	0.015.4144.0	1	half-shaft mm 275.5
3	0.008.5160.0/10	2	bevel ring gear Z = 69
4	2.0139.040.7	2	screw
5	0.008.5605.0	2	washer
6	0.008.5604.0	2	spacer
7	2.1589.106.0	6	snoulder 14.5 x 41 x 1.0
8	2.1589.107.0	2	snoulder 14.5 x 41 x 0.5
9	2.1589.108.0	2	snoulder 14.5 x 41 x 0.2
10	2.1589.109.0	2	snoulder 14.5 x 41 x 0.1
11	0.015.4051.0	2	spider
12	2.1599.712.0	12	snoulder 30.2 x 55 x 1.0
13	0.009.7145.0	6	planet gear Z = 28
14	0.009.7144.0	6	pin
15	2.2999.307.0	6	roller cage 30 x 44 x 52
16	2.1410.041.1	2	circlip Ø 105
17	2.2580.005.9	4	bearing
18	2.1510.331.0	2	oil seal 60x85x10
19	0.015.4052.3/10	2	half-shaft
19.1.2	0.015.4059.0	1	spacer
19.2	0.148.4737.0/20	8	small column m 20x68

**INTERNAL AND EXTERNAL CONTROLS**

Fig.	Code	QTY	Name
------	------	-----	------

**Notes:**

[AGROLUX 4.75 E 4WD->D10S714WT1E10001] [AGROLUX 4.75 E 2WD->D10S714WX1E10001]



1	0.001.3659.0	1	bushing
2	2.1530.034.0	3	'o' ring 13.95x2.62
3	0.9104.425.0	2	bushing
4	0.009.2389.3/10	1	pin
5	0.009.2390.3/20	1	lever
7	2.1310.004.2	1	flat washer 8.5
8	0.009.2391.0/10	1	lever
9	2.1430.008.7	5	circlip 7
11	0.009.2392.3	1	lever
12	2.1410.003.1	1	circlip 14
13	2.4049.178.1/10	1	spring
14	0.9000.562.0	1	pin
15	0.9104.441.0/10	1	lever
17	0.009.2393.0/20	1	pin
19	0.009.2848.3	1	lever
20	0.001.3702.0	2	roller
22	2.1430.007.7	1	circlip 6, d128
23	2.4049.183.1	1	spring
24	0.009.2394.3/10	1	lever
25	0.009.2395.3/20	1	lever
26	2.0112.011.2	3	screw m 6 p.1x30
27	2.1470.002.2	3	washer 6, d128
28	2.1011.103.2	4	nut m 6 p.1
29	2.0112.013.2	1	screw m 6 p.1 x 35
30	2.1720.005.0	3	key 4x5
31	0.012.8282.3/10	1	lever ( -> 10001 )
32	2.1310.006.2	1	flat washer 10.5
33	2.1690.307.2	1	split pin 3.2x18

**AGROLUX 4.75 E ->D10S714WT1E10001**

Section: R0 - REAR LIFT

Ref.: R0.06.20 (1)

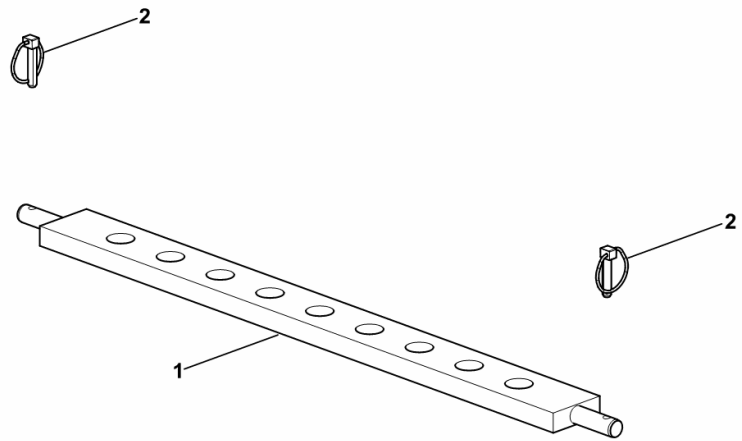
**TOWING BAR**

Fig.	Code	QTY	Name
------	------	-----	------

**Notes:**

[AGROLUX 4.75 E 4WD->D10S714WT1E10001] [AGROLUX 4.75 E 2WD->D10S714WX1E10001]

1	0.012.8004.0	1	rod
2	0.010.9322.4	2	pin Ø 11



I9\_D1058\_10\_0-A-001

**AGROLUX 4.75 E ->D10S714WT1E10001**

Section: D0 - TRANSMISSION

Ref.: D0.06.0 (1)

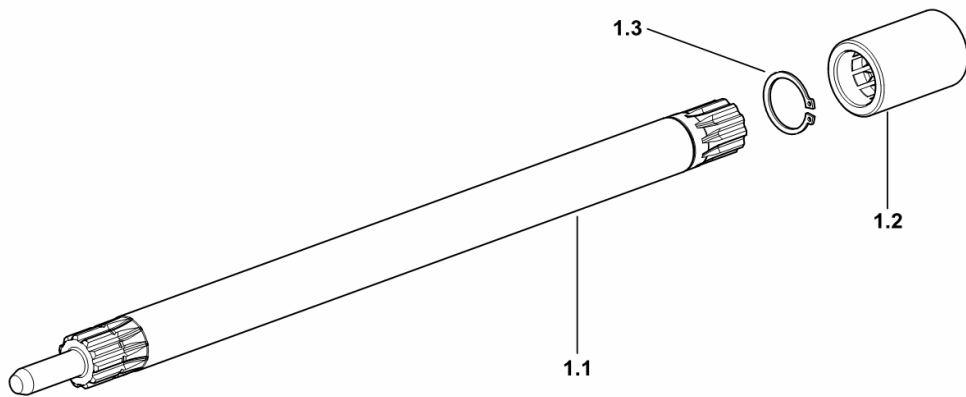
**DRIVE SHAFT - P.T.O. SHAFT REAR**

Fig.	Code	QTY	Name
------	------	-----	------

**Notes:**

- FOR TYPES WITH REAR PTO 540 RPM [AGROLUX 4.75 E 4WD->D10S714WT1E10001] - FOR TYPES WITH REAR PTO 540 RPM [AGROLUX 4.75 E 2WD->D10S714WX1E10001]

1.1	0.012.7622.0/10	1	shaft
1.2	0.010.1263.0/20	1	sleeve
1.3	2.1410.010.7	1	ring 25



19\_J1436\_01\_0-A-001

AGROLUX 4.75 E ->D10S714WT1E10001

Section: D0 - TRANSMISSION


Ref.: D0.08.2 (1)

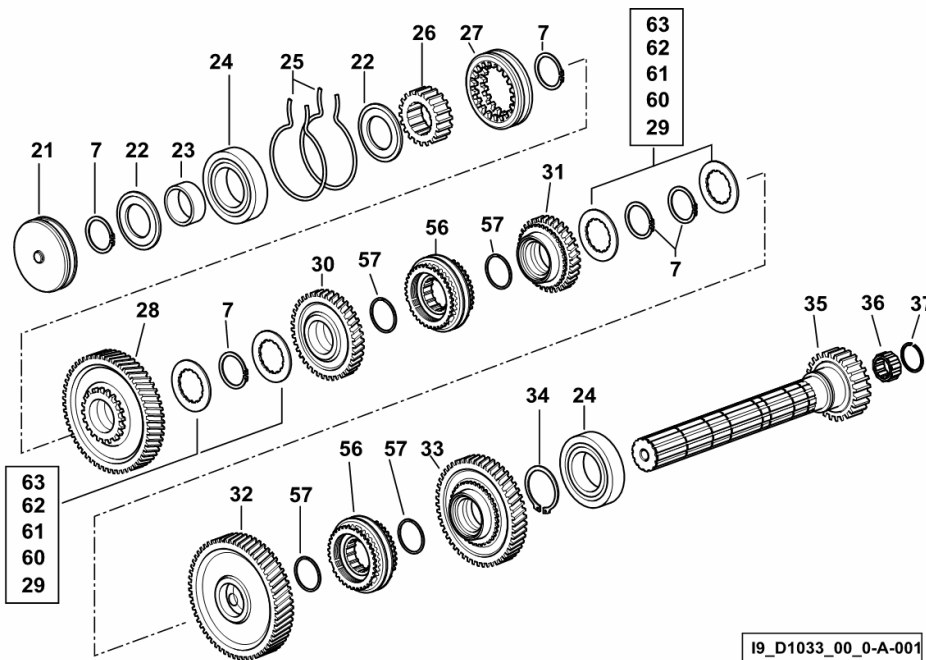
TRANSMISSION SHAFT

Fig.	Code	QTY	Name
------	------	-----	------

Notes:

- FOR SYNCHRONISED GEARBOX - WITH 10 KPH REVERSE [AGROLUX 4.75 E 4WD->D10S714WT1E10001] -  
 FOR SYNCHRONISED GEARBOX - WITH 10 KPH REVERSE [AGROLUX 4.75 E 2WD->D10S714WX1E10001]

7	2.1419.092.0	6	circlip
21	0.008.5724.0/20	1	flange
22	2.1599.768.0	2	ring
23	2.1559.313.0/10	1	sleeve 42x50x19.5
24	2.2042.014.9	2	ball bearing 50 x 90 x 20
25	2.1499.123.1/10	2	circlip 86 x 2.46
26	0.010.1060.0	1	hub Z = 20
27	0.010.1059.0	1	hub Z = 20
28	0.010.1018.0/10	1	gear Z = 57
29	0.008.0251.0	0.8	shim 39 x 64 x 2.65
30	0.010.5558.0	1	gear z=39
31	0.010.5559.0	1	gear z=33
32	0.010.5556.0	1	gear Z = 59
33	0.010.5557.0	1	gear Z = 49
34	2.1410.020.1	1	circlip 50
35	0.010.5555.0	1	shaft
36	2.2999.173.0	1	roller cage 23 x 35 x 16.2
37	2.1423.026.7	1	circlip 35 x 1.5
56	0.009.6825.4	2	lock synchronizer 62  0.009.6825.4
57	2.1422.029.7	4	circlip 40 x 1.5
60	0.010.0629.0	0.8	shim 39 x 64 x 2.85
61	0.010.0630.0	0.8	shim 39 x 64 x 3.05
62	0.010.0631.0	0.8	shim 39 x 64 x 3.25
63	0.010.0632.0	0.8	shim 39 x 64 x 3.45



**AGROLUX 4.75 E ->D10S714WT1E10001**

Section: D0 - TRANSMISSION

Ref.: D0.09.12 (1)

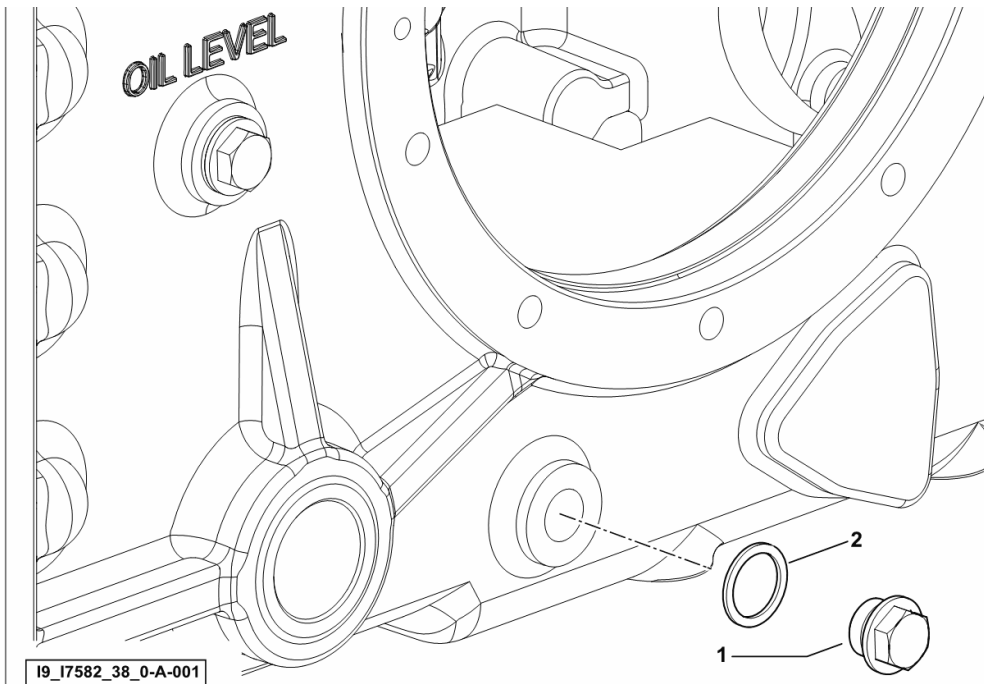
**PLUGS FOR GEARBOX**

Fig.	Code	QTY	Name
------	------	-----	------

**Notes:**

[AGROLUX 4.75 E 4WD->D10S714WT1E10001] [AGROLUX 4.75 E 2WD->D10S714WX1E10001]

1	2.3110.405.2	1	plug m 18 p.1.5 x 15
2	2.1561.010.0	1	'o' ring 18



**AGROLUX 4.75 E ->D10S714WT1E10001**

Section: D0 - TRANSMISSION

Ref.: D0.10.12 (1)

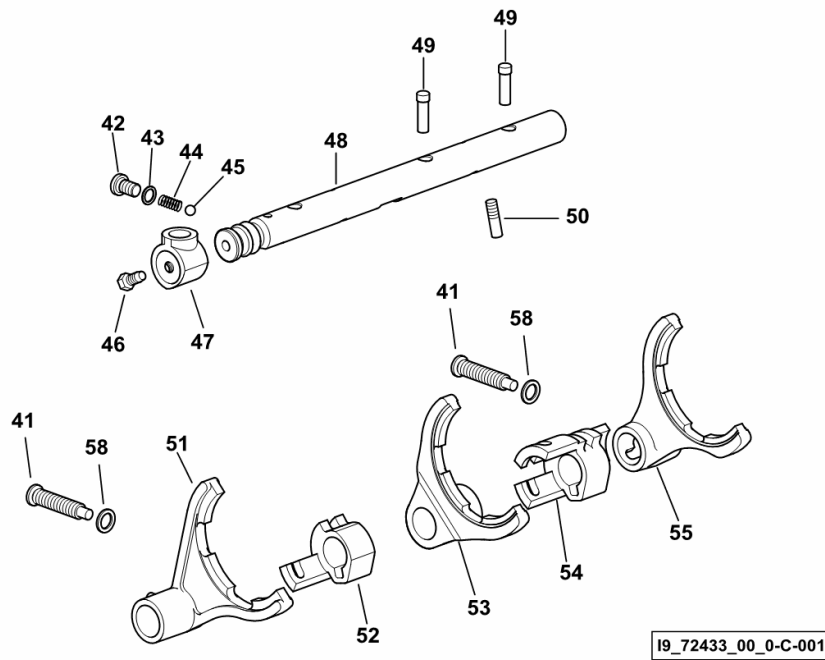
**INTERNAL CONTROLS**

Fig.	Code	QTY	Name
------	------	-----	------

**Notes:**

- FOR SYNCHRONISED GEARBOX - WITH 14 KPH ERVERSE [AGROLUX 4.75 E 4WD->D10S714WT1E10001] -  
 - FOR SYNCHRONISED GEARBOX - WITH 14 KPH ERVERSE [AGROLUX 4.75 E 2WD->D10S714WX1E10001]

41	2.0399.206.2	2	screw m 12 p.1.75 x 56.5
42	2.3199.238.2	1	plug m 10
43	2.1560.005.0	1	gasket 10.2 x 14
44	2.4019.670.1	1	spring 5 x 8 x 1.5 x 22.5
45	2.2810.004.0	1	ball 5/16"
46	2.0399.019.1	1	screw m 8 p.1 x 16
47	0.008.5226.0/20	1	hub
48	0.008.5130.0/70	1	rod
49	0.008.5994.0/10	3	pin
50	2.0399.286.0/10	2	grain m 8 p.1.25 x 28
51	0.014.6201.0	1	fork
52	0.008.5198.0/40	1	hub
53	0.014.6202.0	1	fork
54	0.010.4945.0	1	sleeve
55	0.014.6203.0/10	1	fork
58	2.1560.008.0	2	gasket 12.2 x 18



19\_72433\_00\_0-C-001

**AGROLUX 4.75 E ->D10S714WT1E10001**

Section: D0 - TRANSMISSION

Ref.: D0.11.10 (1)

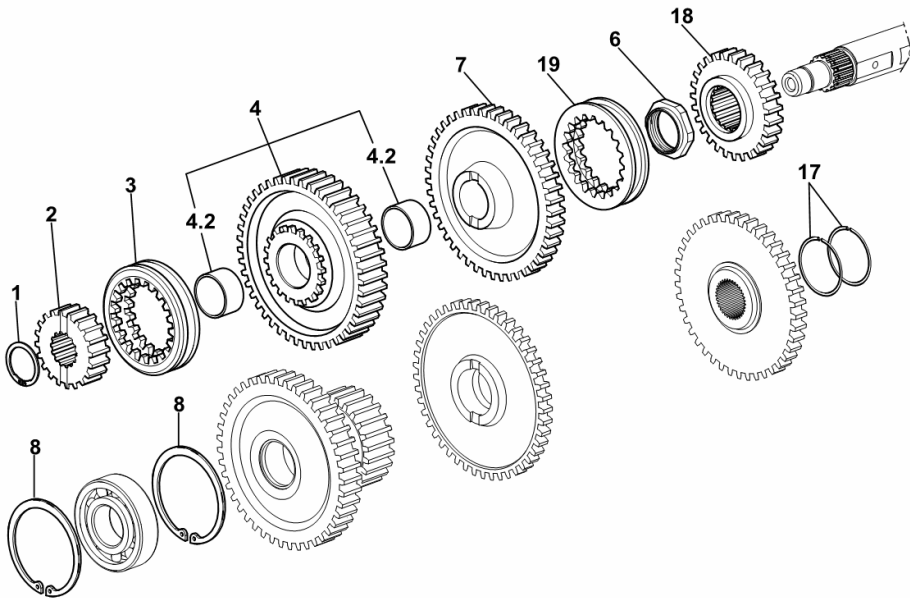
**ORDINARY 3 SPEED RANGE REDUCTION GEAR UNIT**

Fig.	Code	QTY	Name
------	------	-----	------

**Notes:**

[AGROLUX 4.75 E 4WD->D10S714WT1E10001] [AGROLUX 4.75 E 2WD->D10S714WX1E10001]

1	2.1419.065.0	1	circlip 32
2	0.010.1061.0	1	hub Z = 20
3	0.010.1059.0	1	hub Z = 20
4	0.013.9510.3/10	1	gear z = 20-45-24
4.2	2.1559.170.0	2	bushing 34 x 38 x 20
6	0.008.5134.0/20	1	ring nut m 36 p.1.5
7	0.013.9512.0/10	1	gear z = 20-45
8	2.1411.032.1	2	circlip 80 x 2.5
17	2.1420.020.1	2	circlip 50
18	0.013.9511.0	1	gear z = 20-27
19	0.008.5237.0/10	1	sleeve Z = 20



19\_D1034\_10\_0-A-00

**AGROLUX 4.75 E ->D10S714WT1E10001**

Section: D0 - TRANSMISSION

Ref.: D0.14.7 (1)

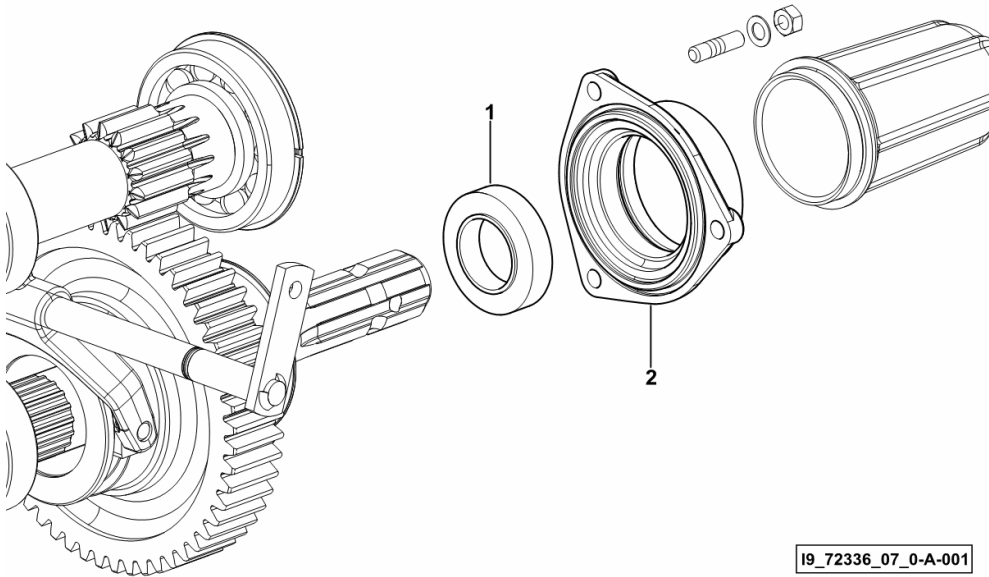
**PTO - PARTS SET WITH WATER PROOF SEALS**

Fig.	Code	QTY	Name
------	------	-----	------

**Notes:**

[AGROLUX 4.75 E 4WD->D10S714WT1E10001] [AGROLUX 4.75 E 2WD->D10S714WX1E10001]

1	2.1529.115.0	1	'o' ring 35x60x13
2	0.009.9926.0	1	cover



19\_72336\_07\_0-A-001

**AGROLUX 4.75 E ->D10S714WT1E10001**

Section: D0 - TRANSMISSION

Ref.: D0.20.3 (1)

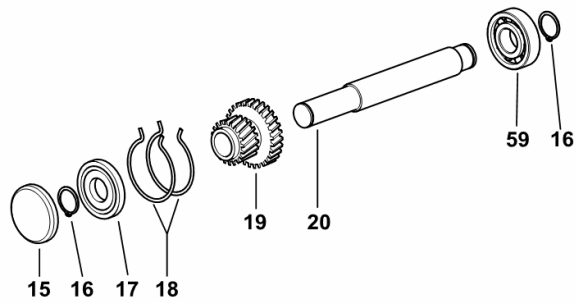
**REVERSE GEAR INTERMEDIATE SHAFT**

Fig.	Code	QTY	Name
------	------	-----	------

**Notes:**

- FOR SYNCHRONISED GEARBOX - WITH 10 KPH REVERSE [AGROLUX 4.75 E 4WD->D10S714WT1E10001] -  
 - FOR SYNCHRONISED GEARBOX - WITH 10 KPH REVERSE [AGROLUX 4.75 E 2WD->D10S714WX1E10001]

15	2.3179.016.0	1	expansion plug Ø 72
16	2.1410.012.1	2	circlip 30
17	2.2063.009.9	1	ball bearing 30 x 72 x 19
18	2.1499.124.1/10	2	circlip 68 x 1.7
19	0.010.1000.0	1	gear z=20 z=29
20	0.010.0999.0	1	shaft
59	2.2060.009.9	1	bearing 30 x 72 x 19



I9\_D1033\_00\_0-D-001

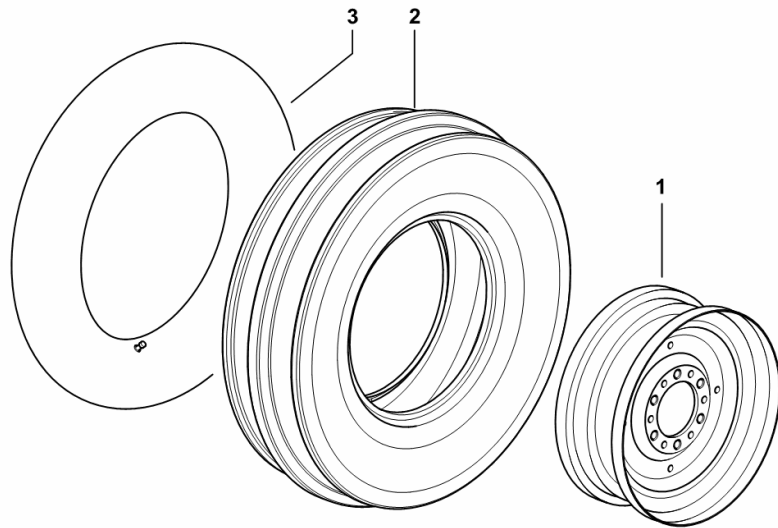
**2WD - FRONT WHEELS 6.00 - 16**

Fig.	Code	QTY	Name
------	------	-----	------

**Notes:**

[AGROLUX 4.75 E 2WD->D10S714WX1E10001]

1	0.010.4199.2	2	rim 4.50Ex16"
2	2.4810.036.0	2	tyre 6.00 - 16 PR8
3	2.4820.010.0	2	air chamber 6.00-16"



19\_J1255\_10\_0-A-001

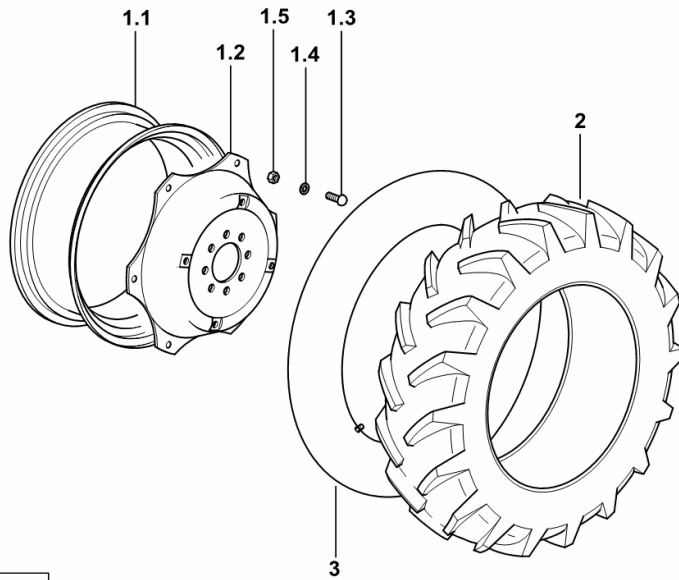
**WHEELS 7.50-20" PR8**

Fig.	Code	QTY	Name
------	------	-----	------

**Notes:**

[AGROLUX 4.75 E 4WD->D10S714WT1E10001]

1.1	0.012.3064.3	1	rim 5.50F x 20" C/ST
1.2	0.009.8956.0	1	rim center flange
1.3	2.0099.005.6	4	screw m 16 p.1.5 x 38
1.4	2.1499.019.6	4	washer 16.3 x 31.5
1.5	2.1019.059.6	4	nut m 16 p.1.5 x 16
2	2.4811.242.0	2	tyre 7.50-20" PR8
3	2.4820.018.0	2	air chamber x 7.50-20



19\_I4655\_21\_0-A-001

**WHEELS R.9.5-24" PR10 A8**

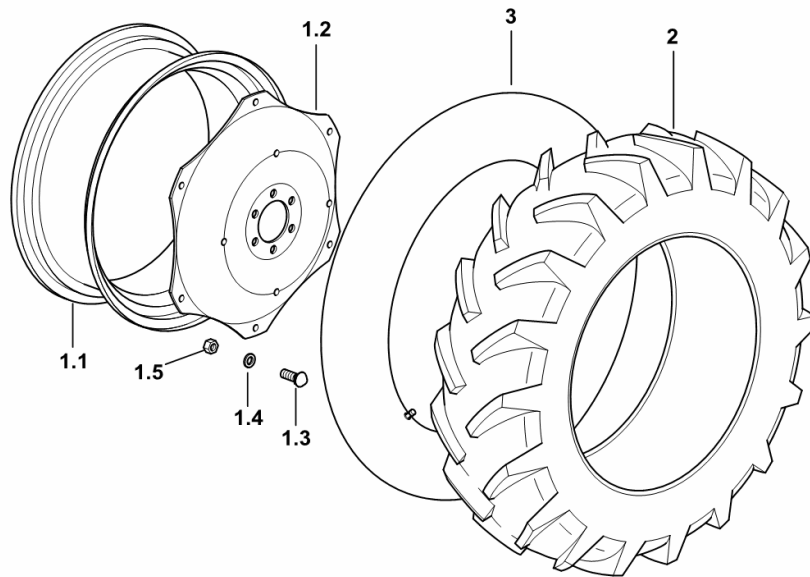
Fig.	Code	QTY	Name
------	------	-----	------

**Notes:**

[AGROLUX 4.75 E 4WD->D10S714WT1E10001]

1.1	0.012.2800.3	1	rim W 7x24" C/ST.
1.2	0.012.6096.0	1	rim center flange
1.3	2.0099.005.6	6	screw m 16 p.1.5 x 38
1.4	2.1499.019.6	6	washer 16.3 x 31.5
1.5	2.1019.059.6	6	nut m 16 p.1.5 x 16
2	2.4811.248.0	2	tyre 9.5R-24" a8
3	2.4820.022.0	2	air chamber

19\_E6155\_21\_0-A-001



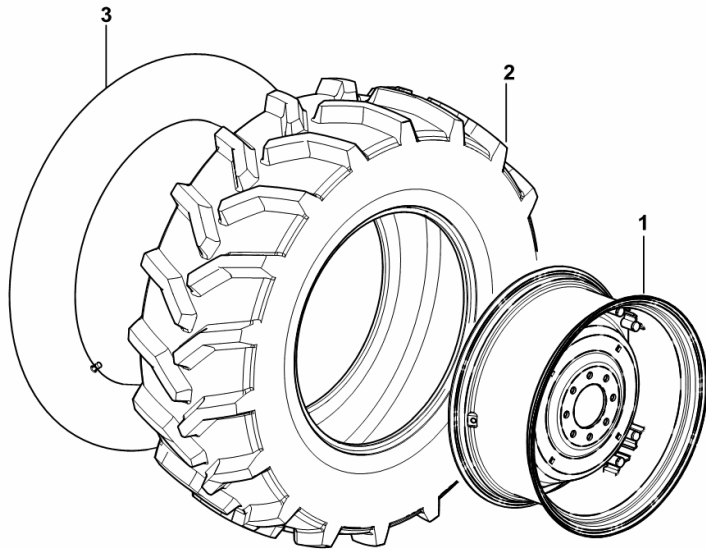
**WHEELS 16.9-28"**

Fig.	Code	QTY	Name
------	------	-----	------

**Notes:**

[AGROLUX 4.75 E 4WD->D10S714WT1E10001] [AGROLUX 4.75 E 2WD->D10S714WX1E10001]

1	0.014.6204.4	2	rim W15Lx28"
2	2.4811.223.0	2	tyre 16.9-28"
3	2.4820.039.0	2	air chamber



I9\_I7155\_44\_0-A-001

CLICK HERE TO **DOWNLOAD** THE COMPLETE MANUAL

- Thank you very much for reading the preview of the manual.
- You can download the complete manual from: [www.heydownloads.com](http://www.heydownloads.com) by clicking the link below



- Please note: If there is no response to CLICKING the link, please download this PDF first and then click on it.

CLICK HERE TO **DOWNLOAD** THE COMPLETE MANUAL