

Agrolux 4.75 ->D10S704WXE15001

V0 - BALLAST, TOWING HITCHES

FRONT HITCHES

FRONT TOWING HITCH..... V0.01.0 (1)

REAR HITCHES

REAR TOWING HITCH..... V0.02.0 (1)

REAR TOWING HITCH CAT: "C"..... V0.02.1 (1)

DRAWBAR COUPLING AUTOM. Ø 31 CEE..... V0.02.2 (1)

REAR TOWING HITCH CEE..... V0.02.3 (1)

REAR GEARBOX BRACKETS..... V0.02.4 (1)

REAR TOWING HITCH BRACKET..... V0.02.5 (1)

REAR OSCILLATING HITCH..... V0.02.6 (1)

REAR TOWING HITCH CAT: "C"..... 0.014.4450.3/10.A

TRAILER STAND - DRAWBAR COUPLING..... 0.014.4483.3/30.A

SLIDE mm 320..... 0.014.4485.3.A

DRAWBAR COUPLING Ø 31, kpl..... 0.014.8208.3.A

FRONT BALLAST WEIGHTS

FRONT WEIGHT CARRIER..... V0.03.0 (1)

FRONT BALLAST..... V0.03.1 (1)

FRONT BALLAST..... V0.03.2 (1)

FRONT BALLAST..... V0.03.3 (1)

WHEEL BALLAST

WHEEL BALLAST 172 Kg..... V0.05.2 (1)

WHEEL BALLAST 344 Kg..... V0.05.3 (1)

CLICK HERE TO **DOWNLOAD** THE COMPLETE MANUAL

- Thank you very much for reading the preview of the manual.
- You can download the complete manual from: www.heydownloads.com by clicking the link below

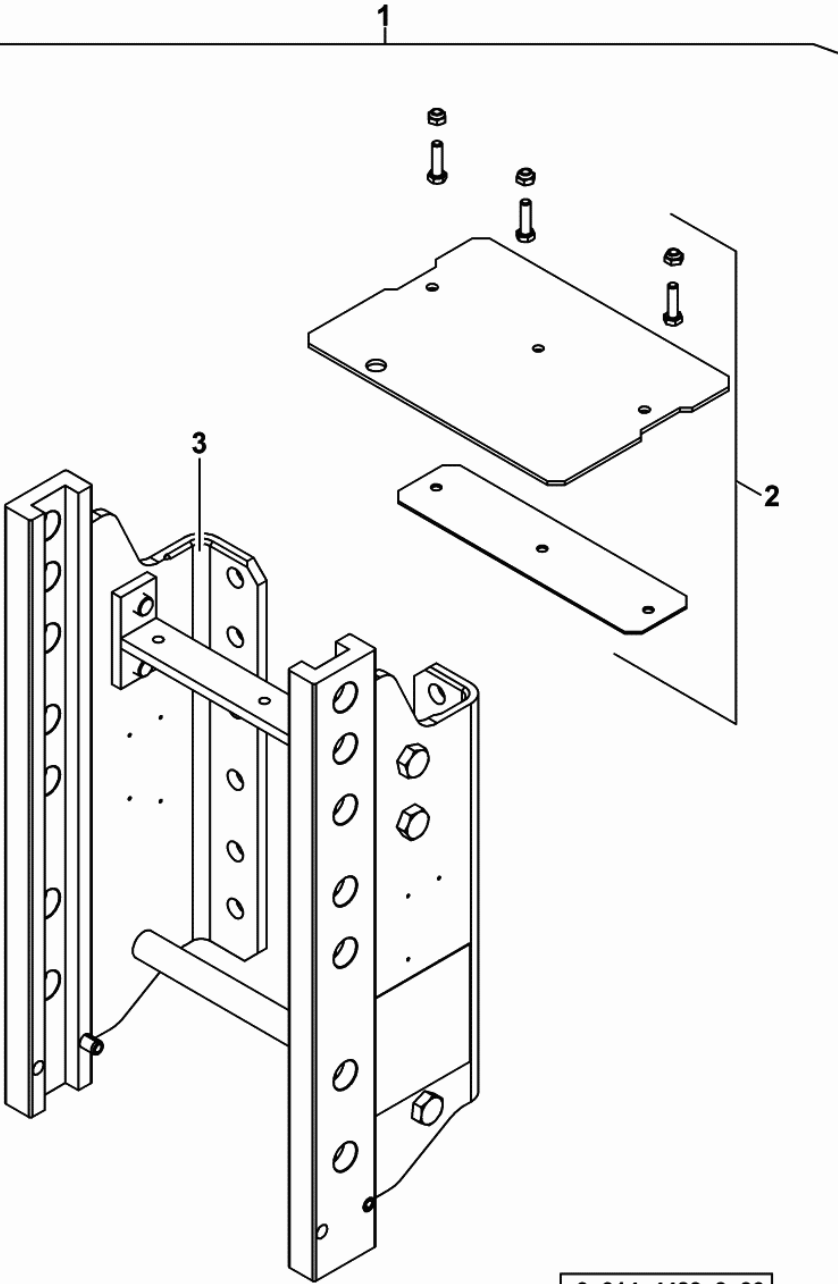


- Please note: If there is no response to CLICKING the link, please download this PDF first and then click on it.

CLICK HERE TO **DOWNLOAD** THE COMPLETE MANUAL

TRAILER STAND - DRAWBAR COUPLING

Fig.	Code	QTY	Name
1	0.014.4483.3/30	1	chassis frame - V.ORLANDI -
2	0.900.0458.6	1	shield
3	0.000.0000.1	0	not serviceable



0_014_4483_3_30

REAR LIFT DECAL.....	G0.02.42 (1)
SPEED LABEL - 40 KM/H.....	G0.02.43 (1)
SPEED LABEL - 40 KM/H - REFLEX.....	G0.02.44 (1)
SPEED LABEL.....	G0.02.46 (1)
IDENTIFICATION PLATE.....	G0.02.48 (1)
CAB STRUCTURE - PLATFORM -SUSPENSION	
DEFLECTOR.....	G0.03.0 (1)
DEFLECTOR.....	G0.03.0 (2)
STEP.....	G0.03.1 (1)
STEP.....	G0.03.2 (1)
FENDERS - FOOTSTEPS - EXTENSIONS	
REAR MUDGUARDS A: mm 668.....	G0.04.2 (1)
REAR MUDGUARDS A: mm 718.....	G0.04.3 (1)
REAR MUDGUARDS A: mm 753.....	G0.04.4 (1)
MUDGUARDS EXTENSIONS.....	G0.04.18 (1)
4WD - FRONT MUDGUARDS.....	G0.04.19 (1)
STONE GUARD.....	G0.04.22 (1)
REAR FENDER ANCILLARY PARTS KIT.....	G0.04.23 (1)
FOOT PLATES AND PLATFORM.....	G0.04.25 (1)
FOOT PLATES AND PLATFORM.....	G0.04.26 (1)
INTERIOR TRIM	
DASHBOARD.....	G0.06.0 (1)
DASHBOARD.....	G0.06.1 (1)
INSTRUMENT PANEL AND SUPPORTS.....	G0.06.2 (1)
CONVEYOR.....	G0.06.3 (1)
EXTERIOR TRIM - ROOF	
REARVIEW MIRROR.....	G0.07.0 (1)
REARVIEW MIRROR.....	G0.07.1 (1)
SUN GUARD ROOF.....	G0.07.2 (1)
SUNBLIND ROOF SUPPORT.....	G0.07.3 (1)
REARVIEW MIRROR.....	0.010.1604.4/40.A
REARVIEW MIRROR.....	0.010.1605.4/40.A
SEATS	
DRIVER'S SEAT KAB XH2.....	G0.08.0 (1)
DRIVER'S SEAT MSG 83/7L.....	G0.08.2 (1)
SAFETY BELT.....	G0.08.3 (1)
SEAT SUPPORT PLATE.....	G0.08.4 (1)
SEAT-COMPONENTS.....	0.007.5683.4/20.A
SEAT SPRINGING.....	0.010.5356.4.A
SEAT-COMPONENTS.....	0.012.4782.4/20.A
MECHANICAL CLUTCH CONTROLS	
CLUTCH CONTROL.....	G0.10.0 (1)
MECHANICAL BRAKE CONTROLS	
BRAKE CONTROLS.....	G0.11.1 (1)

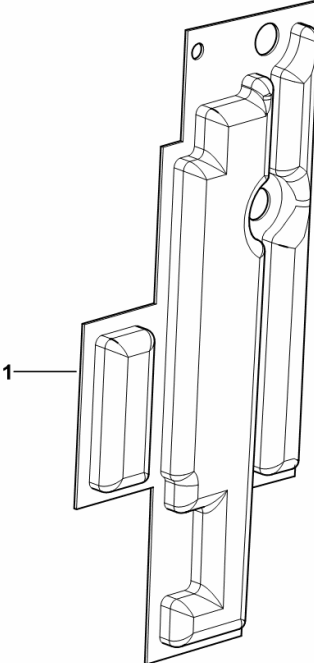
HOOD INSULATION PANEL

Fig.	Code	QTY	Name
------	------	-----	------

Notes:
[Agrolux 4.75 2WD ->D10S704WXE15001] [Agrolux 4.75 4WD ->D10S704WXE15001]

1	0.017.7524.0	1	shield
---	--------------	---	--------

I9_Q1372_30_0-A-001



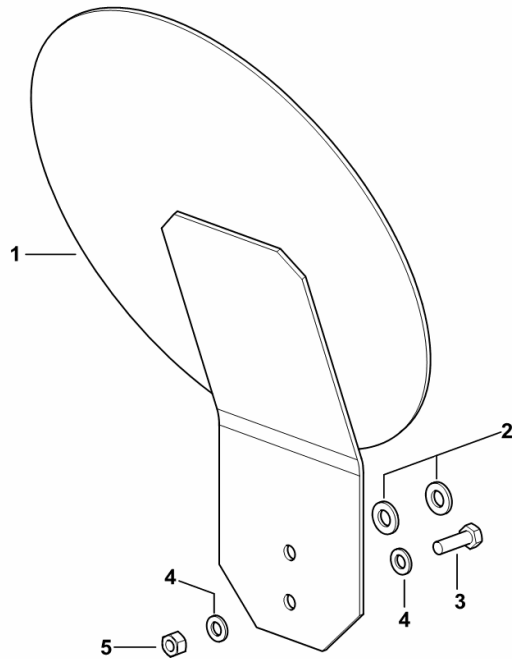
BRACKET - SPEED LABEL

Fig.	Code	QTY	Name
------	------	-----	------

Notes:

[Agrolux 4.75 2WD ->D10S704WXE15001] [Agrolux 4.75 4WD ->D10S704WXE15001]

1	0.016.0212.2	1	support
2	2.1310.002.2	2	washer 6.6, d125
3	2.0114.105.2	1	screw m 5 x 16
4	2.1470.001.2	2	lock washer 5
5	2.1011.102.2	1	nut m 5 p.0.7



19_J1276_06_0-A-001

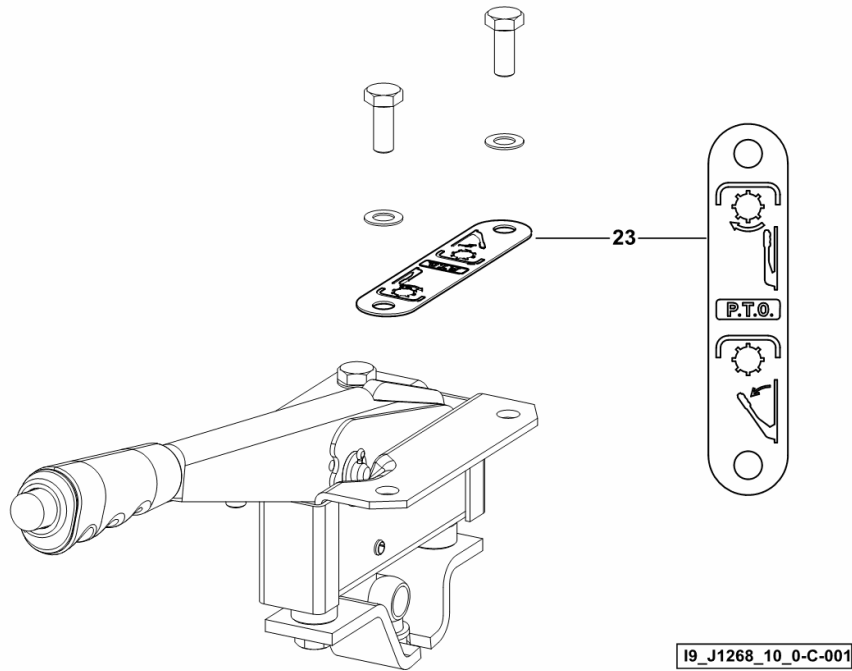
PTO DATA PLATE

Fig.	Code	QTY	Name
------	------	-----	------

Notes:

[Agrolux 4.75 2WD ->D10S704WXE15001] [Agrolux 4.75 4WD ->D10S704WXE15001]

23	2.9929.437.0/10	1	plate P.T.O.
----	-----------------	---	--------------

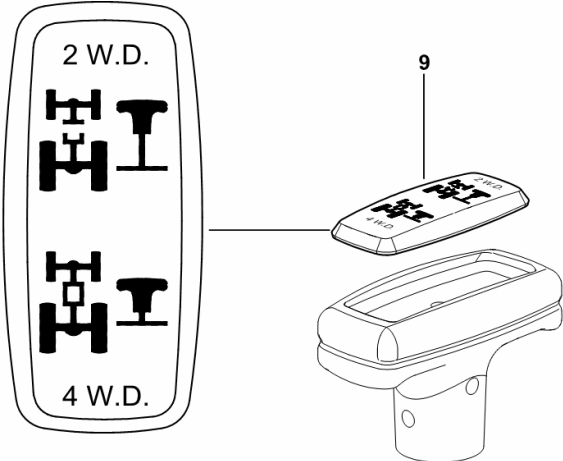


Section: G0 - BODYWORK - CAB
4WD ENGAGEMENT COVER

Fig.	Code	QTY	Name
------	------	-----	------

Notes:
[Agrolux 4.75 4WD ->D10S704WXE15001]

9	0.012.8186.0	1	cap
---	--------------	---	-----



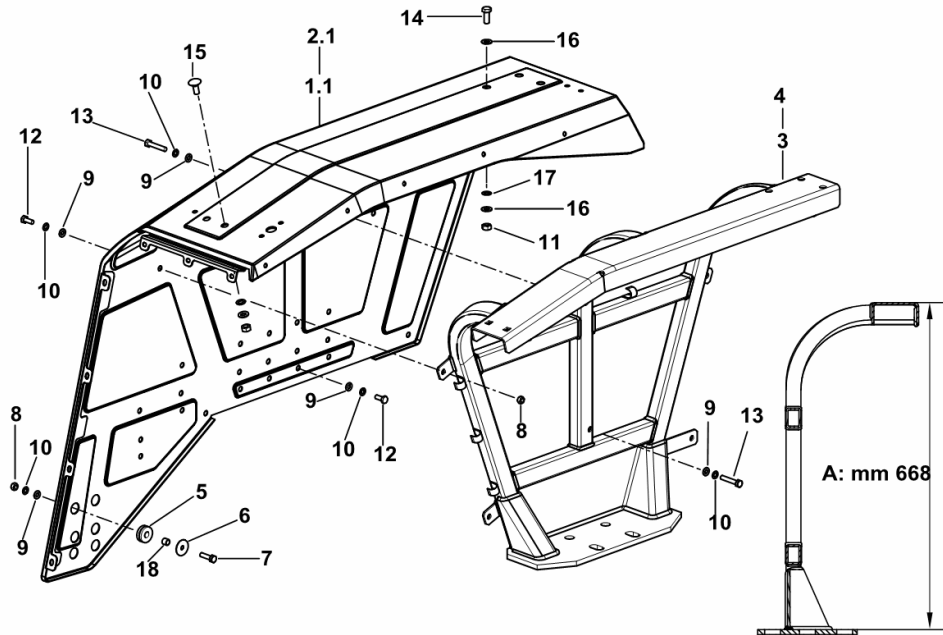
19_Q1426_00_0-B-001

REAR MUDGUARDS A: mm 668

Fig.	Code	QTY	Name
------	------	-----	------

Notes:

[Agrolux 4.75 2WD ->D10S704WXE15001] [Agrolux 4.75 4WD ->D10S704WXE15001]



19_I4676_00_0-A-001

1.1	0.015.6335.3/30	1	fender sx/lh/li
2.1	0.015.6337.3/20	1	fender dx/rh/re
3	0.015.6522.3/10	1	support sx/lh/li
4	0.015.6677.3/10	1	support dx/rh/re
5	0.157.7693.0	4	rubber plug
6	2.1599.245.0	4	snoulder 8.5 x 32 x 2.0
7	2.0112.211.2	4	screw m 8 p.1.25 x 30
8	2.1011.105.2	4	nut m 8 p.1.25
9	2.1310.004.2	20	flat washer 8.5
10	2.1470.004.2	20	washer 8
11	2.1011.106.2	10	nut m 10 p.1.5
12	2.0112.207.2	18	screw m 8 p 1.25 x 20
13	2.0112.217.2	4	screw m 8 p.1.25 x 45
14	2.0112.309.2	6	screw m 10 p.1.5 x 25
15	2.0029.505.3	4	screw
16	2.1310.006.2	16	flat washer 10.5
17	2.1470.006.2	10	lock washer 10
18	2.1579.120.2	4	spacer 8.8x12x9.5

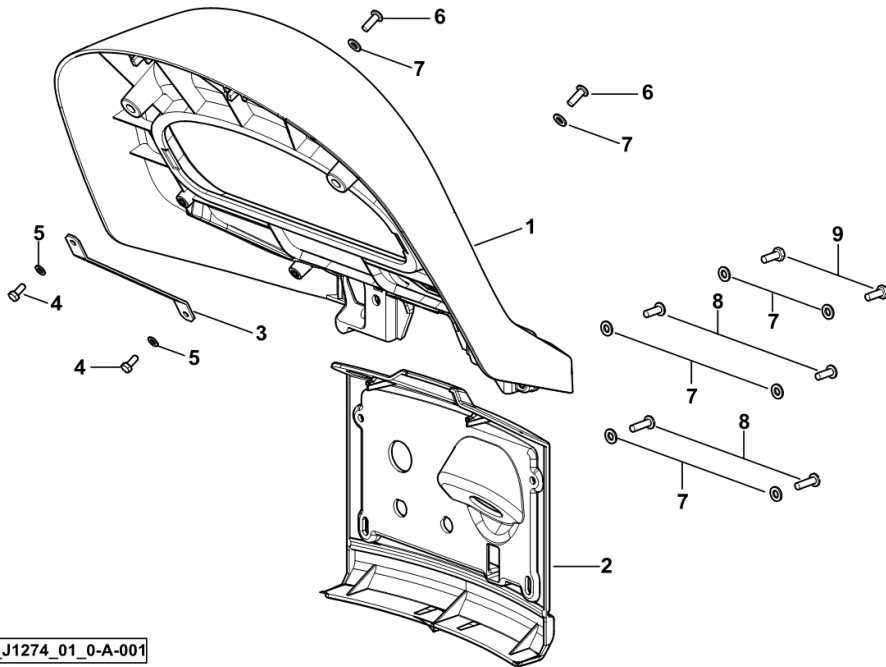
DASHBOARD

Fig.	Code	QTY	Name
------	------	-----	------

Notes:

- FOR TYPES WITH WORKING LIGHTS [Agrolux 4.75 2WD ->D10S704WXE15001] - FOR TYPES WITH WORKING LIGHTS [Agrolux 4.75 4WD ->D10S704WXE15001]

1	0.015.6184.2/10	1	dashboard
2	0.015.2940.2/10	1	dashboard
3	0.015.3310.0	1	square
4	2.0114.103.2	2	screw m 5 x 12
5	2.1310.001.2	2	flat washer 5.3
6	2.0332.406.2	4	screw m 6 p.1.0 x 16
7	2.1310.002.2	8	washer 6.6, d125
8	2.0332.407.2	2	screw m 6 x 20
9	2.0112.005.2	2	screw m 6 p.1 x 16



19_J1274_01_0-A-001

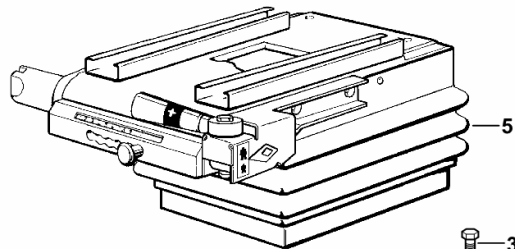
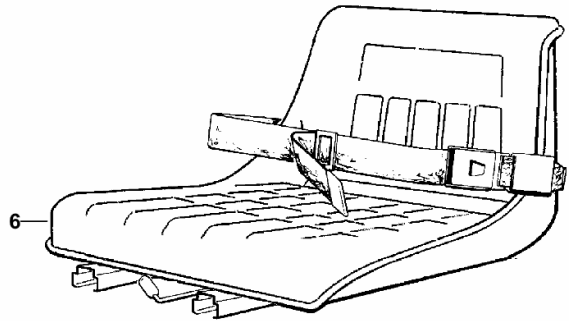
DRIVER'S SEAT KAB XH2

Fig.	Code	QTY	Name
------	------	-----	------

Notes:

[Agrolux 4.75 2WD ->D10S704WXE15001] [Agrolux 4.75 4WD ->D10S704WXE15001]

3	2.0112.205.2	4	screw m 8 p.1.25 x 16
4	2.1475.102.7	4	washer 8
5	0.010.5356.4	1	seat springs KAB XH2 ☞ 0.010.5356.4
6	0.012.4782.4/20	1	seat ☞ 0.012.4782.4/20



19_64575_01_0-A-00

PARKING BRAKE

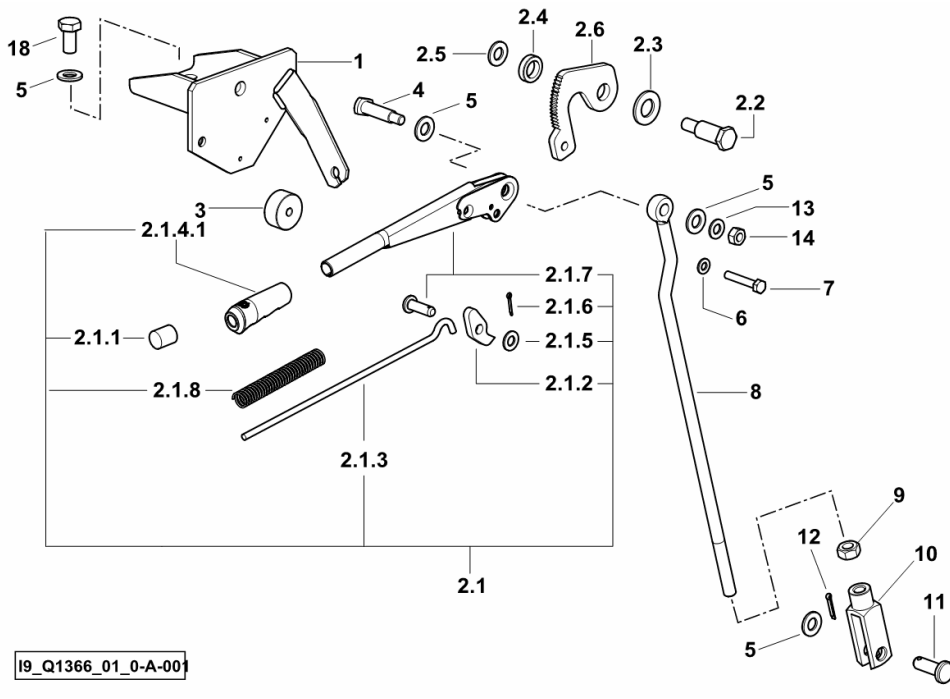


Fig.	Code	QTY	Name
------	------	-----	------

Notes:

[Agrolux 4.75 2WD ->D10S704WXE15001] [Agrolux 4.75 4WD ->D10S704WXE15001]

1	0.017.7897.3	1	brake support
2.1	0.015.8367.4	1	h/brake lever
2.1.1	0.171.6622.0	1	push-button
2.1.2	0.200.6623.0/20	1	ratchet
2.1.3	0.467.6621.0/20	1	rod
2.1.4.1	0.015.6031.0	1	grip
2.1.5	2.1310.004.2	1	flat washer 8.5
2.1.6	2.1690.206.2	1	split pin 2x16
2.1.7	2.1671.305.2	1	pin 8x22
2.1.8	2.4019.555.2	1	spring 14x130x1.3
2.2	2.1699.391.2	1	pin
2.3	2.1310.009.2	1	flat washer 14
2.4	2.1579.449.2	1	spacer
2.5	2.1310.006.2	1	flat washer 10.5
2.6	0.257.6624.0	1	sector
3	2.1549.348.2	1	spacer
4	2.1699.397.2	1	pin
5	2.1310.006.2	5	flat washer 10.5
6	2.1310.002.2	1	washer 6.6, d125
7	2.0112.013.2	1	screw m 6 p.1 x 35
8	0.010.1599.0	1	rod
9	2.1011.106.2	1	nut m 10 p.1.5
10	2.3519.021.2	1	fork
11	2.1671.408.2	1	pin 10x30
12	2.1690.306.2	1	split pin 3.2 x 16
13	2.1310.004.2	1	flat washer 8.5
14	2.1011.105.2	1	nut m 8 p.1.25
18	2.0112.307.2	2	screw m 10 p.1.5 x 20

19_Q1366_01_0-A-001

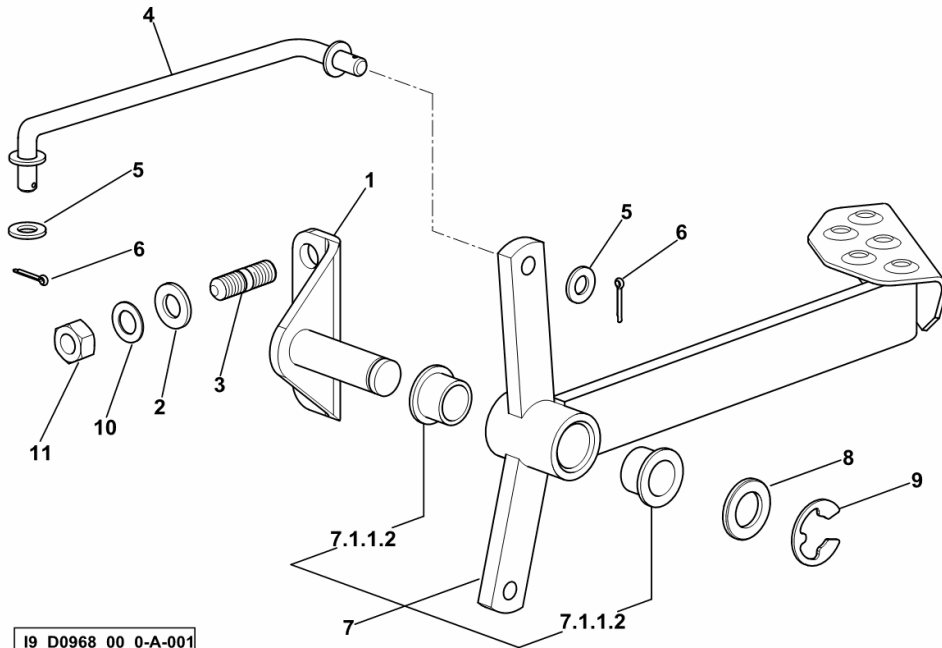
REAR DIFFERENTIAL LOCK CONTROL

Fig.	Code	QTY	Name
------	------	-----	------

Notes:

- 4WD [Agrolux 4.75 4WD ->D10S704WXE15001]

1	0.009.8990.2/10	1	support
2	2.1310.006.2	2	flat washer 10.5
3	2.0432.153.7	2	stud bolt m 10 p.1.5 / p.1.25 x 20
4	0.012.7668.2	1	rod
5	2.1310.004.2	2	flat washer 8.5
6	2.1690.206.2	2	split pin 2x16
7	0.013.6014.3/10	1	pedal
7.1.1.2	2.1559.276.0/10	2	bushing 16x20x15
8	2.1311.010.2	1	flat washer 16
9	2.1430.013.7	1	circlip 15
10	2.1470.006.2	2	lock washer 10
11	2.1011.421.2	2	nut m 10 p.1.25



METAL TOOLBOX

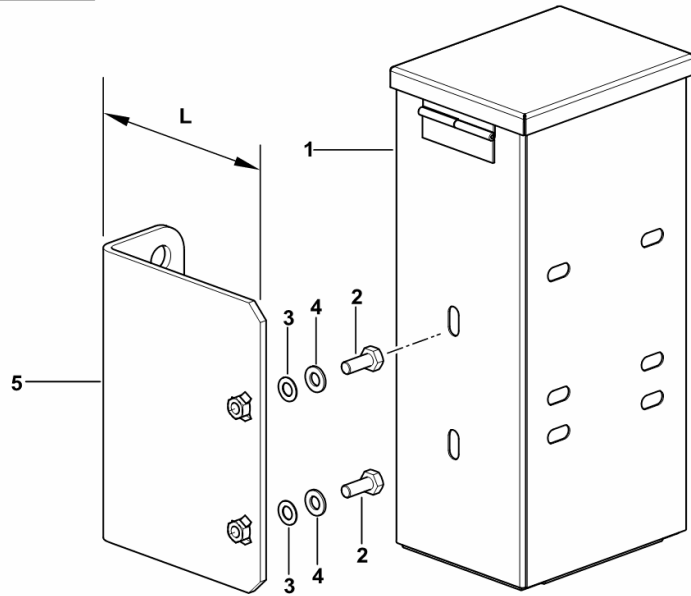
Fig.	Code	QTY	Name
------	------	-----	------

Notes:

[Agrolux 4.75 2WD ->D10S704WXE15001] [Agrolux 4.75 4WD ->D10S704WXE15001]

1	0.467.7317.3/70	1	metal toolbox
2	2.0132.006.2	2	screw m 8 p.1.25 x 20
3	2.1470.004.2	2	washer 8
4	2.1310.004.2	2	flat washer 8.5
5	0.017.8017.3/10	1	bracket L = 140 mm

19_S4473_05_0-A-001



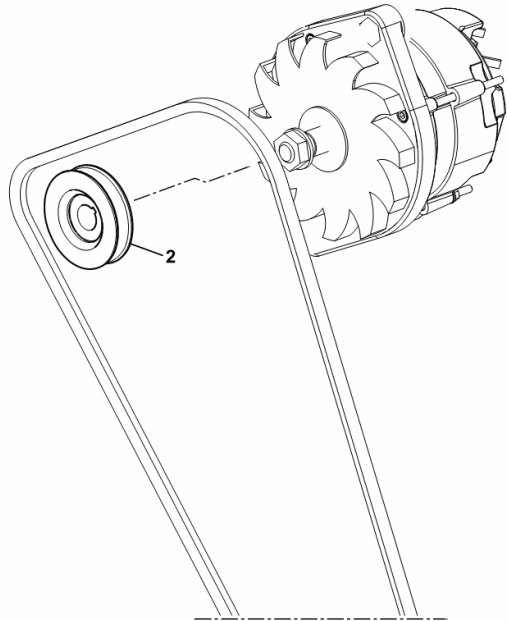
ALTERNATOR PULLEY

Fig.	Code	QTY	Name
------	------	-----	------

Notes:

[Agrolux 4.75 2WD ->D10S704WXE15001] [Agrolux 4.75 4WD ->D10S704WXE15001]

2	0.013.4612.0	1	pulley
---	--------------	---	--------



19_07119_11_0-C-001

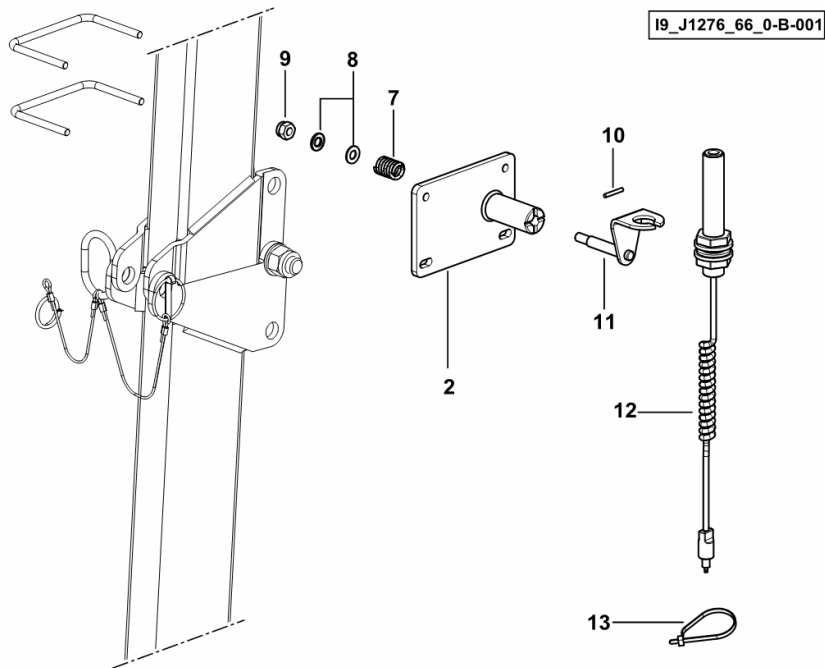
PREARRANGEMENT FOR WARNING BEACON

Fig.	Code	QTY	Name
------	------	-----	------

Notes:

- FOR LEFT-HAND DRIVE [Agrolux 4.75 2WD ->D10S704WXE15001] - FOR LEFT-HAND DRIVE [Agrolux 4.75 4WD ->D10S704WXE15001]

2	0.015.4786.2/10	1	bracket
7	2.4019.611.2	1	spring
8	2.1310.006.2	2	flat washer 10.5
9	2.1120.006.2	1	nut m 10 p.1.5
10	2.1651.312.2	1	pin 4x28
11	0.014.0492.2/10	1	support
12	0.011.7840.4	1	wire
13	2.6852.203.0	3	0.011.7840.4 clamp 292 x 4.8



PRESSURE SWITCH FOR BRAKE LIGHTS

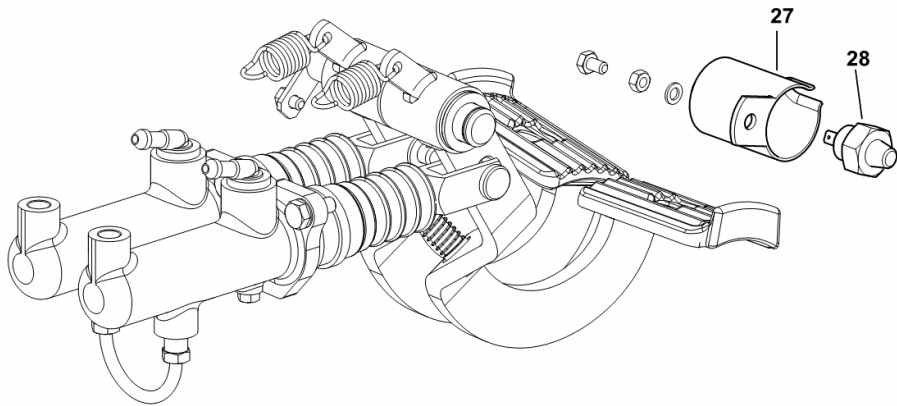
Fig.	Code	QTY	Name
------	------	-----	------

Notes:

[Agrolux 4.75 2WD ->D10S704WXE15001] [Agrolux 4.75 4WD ->D10S704WXE15001]

27	2.7099.490.0/10	1	switch 5 BAR
28	0.015.7102.2/10	1	cover

19_Q1384_00_0-B-001



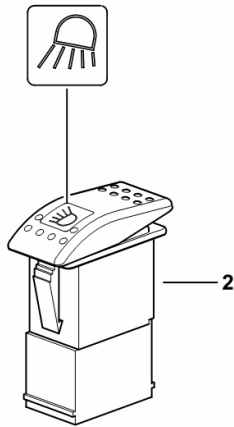
SWITCH - WORKING SPOTLIGHT FRONT

Fig.	Code	QTY	Name
------	------	-----	------

Notes:

[Agrolux 4.75 2WD ->D10S704WXE15001] [Agrolux 4.75 4WD ->D10S704WXE15001]

2	2.7659.155.0	1	switch
---	--------------	---	--------



19_I2985_03_0-B-001

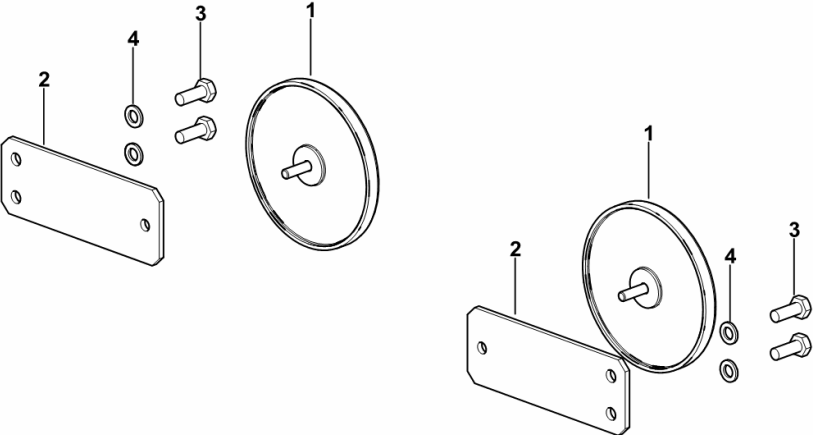
REAR REFLECTORS

Fig.	Code	QTY	Name
------	------	-----	------

Notes:

[Agrolux 4.75 2WD ->D10S704WXE15001] [Agrolux 4.75 4WD ->D10S704WXE15001]

1	2.8349.002.2/30	2	reflector Ø 86 mm
2	0.015.9533.0	2	plate
3	2.0112.005.2	4	screw m 6 p.1 x 16
4	2.1470.002.2	4	washer 6, d128



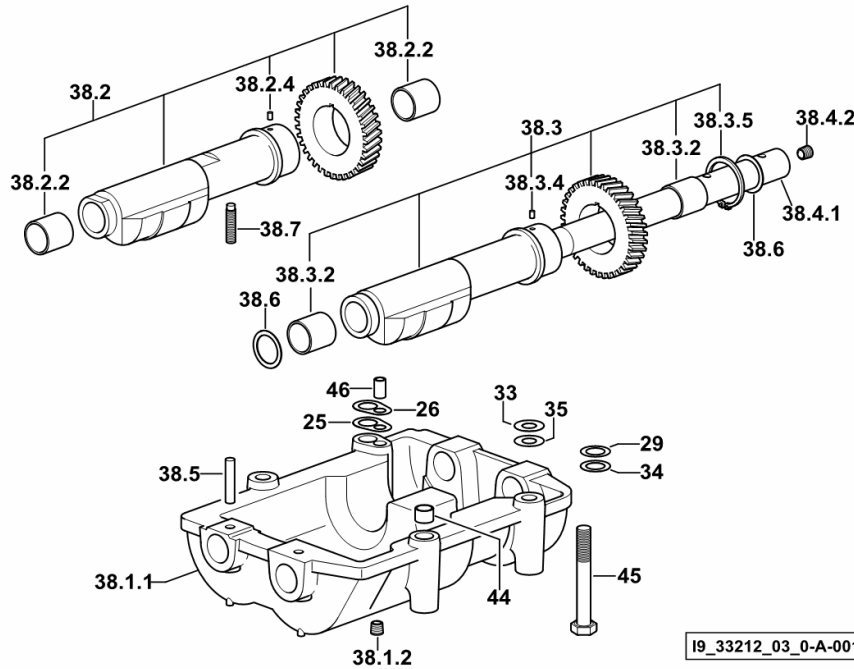
I9_J1285_04_0-A-001

Section: B0 - ENGINE
COUNTERWEIGHTS

Fig.	Code	QTY	Name
------	------	-----	------

Notes:

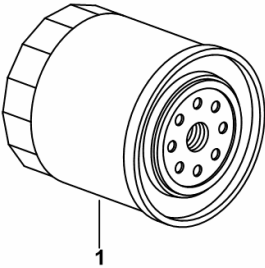
[Agrolux 4.75 2WD ->D10S704WXE15001] [Agrolux 4.75 4WD ->D10S704WXE15001]



25	2.1589.139.0	1	snoulder mm 0.3
26	2.1589.140.0	3	snoulder mm 0.1
29	2.1579.628.0	3	spacer 16.5x26x0.1
33	2.1579.629.0	6	spacer 12.5x26x0.1
34	2.1589.048.0	1	snoulder 16.5x26x0.3
35	2.1589.049.0	1	snoulder 12.5x26x0.3
38.1.1	0.086.1231.0/10	1	box
38.1.2	2.3130.001.1	4	plug 1/8" gas
38.2	0.086.1233.3/30	1	mass sx/lh/li
38.2.2	2.1559.115.0	2	bushing 26x30x30
38.2.4	2.1651.302.0	1	roll pin 4x6
38.3	0.065.1233.3/30	1	mass dx/rh/re
38.3.2	2.1559.115.0	2	bushing 26x30x30
38.3.4	2.1651.302.0	1	roll pin 4x6
38.3.5	2.1410.018.1	1	circlip 45
38.4.1	0.065.1234.0/10	1	shaft
38.4.2	2.3130.001.1	1	plug 1/8" gas
38.5	2.1631.717.0	2	roll pin 8 x 40
38.6	2.1589.185.0	4	snoulder 26.1x34x1
38.7	2.0522.212.7	1	screw m 8 p.1.25 x 30
44	2.1579.626.0	2	spacer 13.2x16x11
45	2.0139.028.2	4	screw m 12
46	2.1699.191.0	1	sleeve 7x10x16

Section: B0 - ENGINE
ENGINE OIL FILTER

Fig.	Code	QTY	Name
Notes: [Agrolux 4.75 2WD ->D10S704WXE15001] 15002 <- [Agrolux 4.75 4WD ->D10S704WXE15001] 15002 <-			
1	0.044.1567.0/10	1	oil filter element R 380



19_N8915_04_0-A-001

CLICK HERE TO **DOWNLOAD** THE COMPLETE MANUAL

- Thank you very much for reading the preview of the manual.
- You can download the complete manual from: www.heydownloads.com by clicking the link below



- Please note: If there is no response to CLICKING the link, please download this PDF first and then click on it.

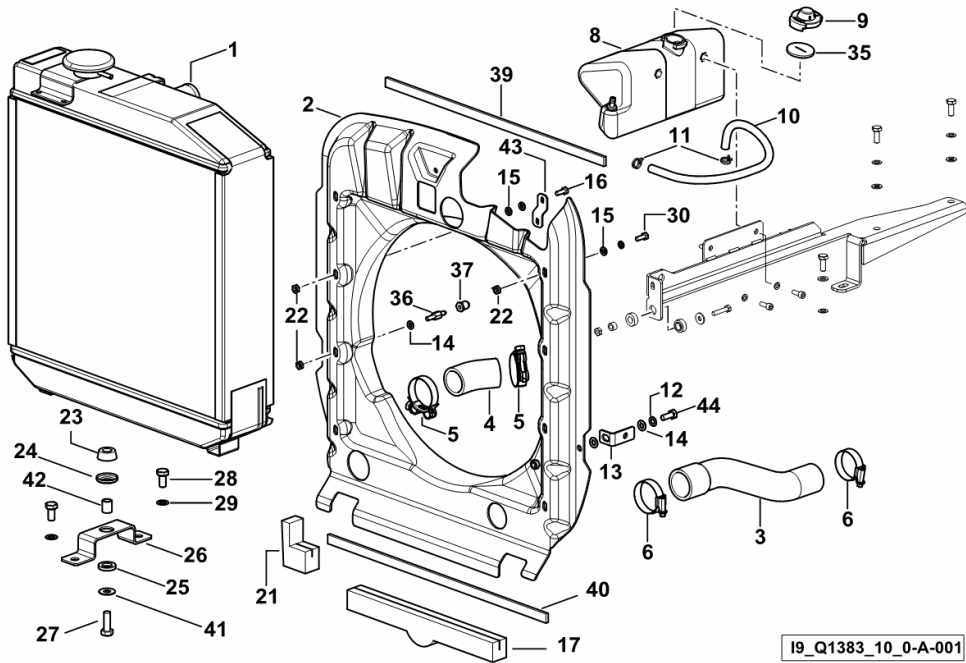
CLICK HERE TO **DOWNLOAD** THE COMPLETE MANUAL

WATER COOLER

Fig.	Code	QTY	Name
------	------	-----	------

Notes:

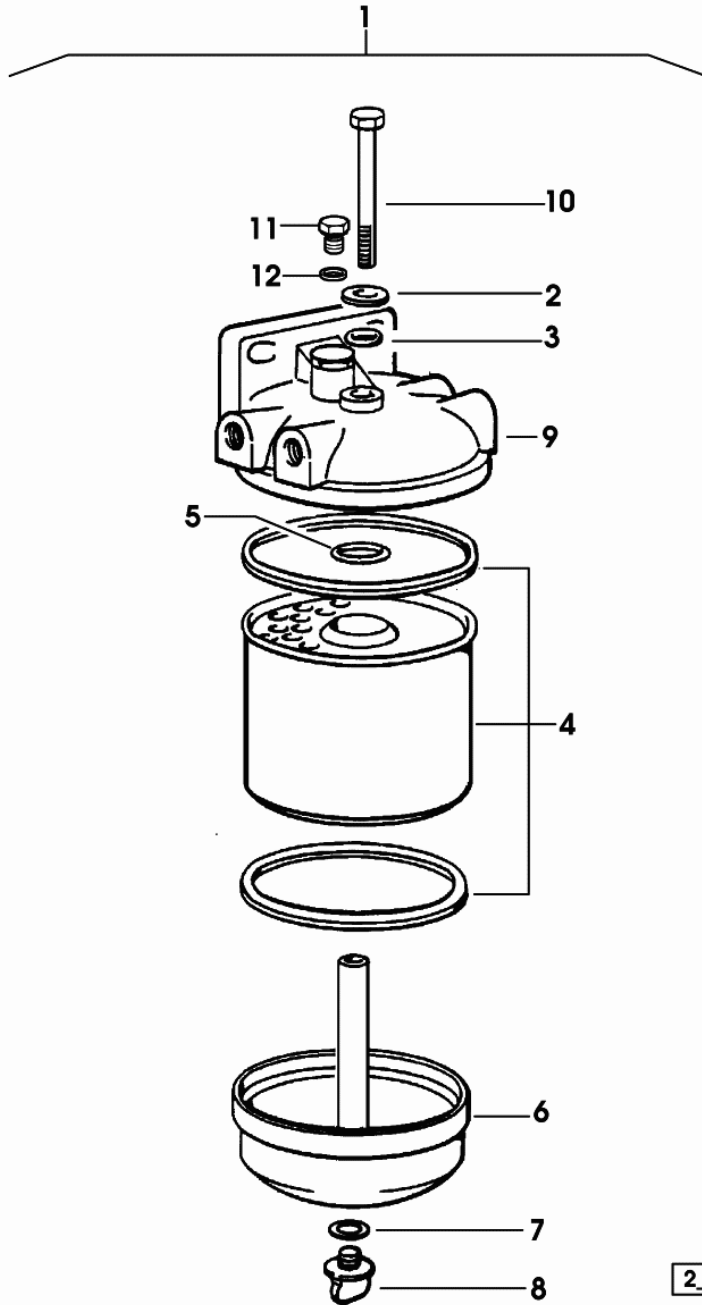
[Agrolux 4.75 2WD ->D10S704WXE15001] [Agrolux 4.75 4WD ->D10S704WXE15001]



1	0.014.6172.2	1	water cooler ☞ 0.014.6172.2
2	0.016.7080.0/30	1	duct
3	0.010.4545.0	1	sleeve
4	0.010.4544.0	1	sleeve
5	2.6859.132.2	2	clamp
6	2.6851.005.0	2	clamp Ø 40/60
8	0.017.7887.0/10	1	cup
9	0.261.8363.0/10	1	plug
10	0.016.7002.0	1	tube
11	2.6859.083.2	2	clamp
12	2.1470.004.2	3	washer 8
13	0.016.4994.0/10	2	bracket
14	2.1310.004.2	3	flat washer 8.5
15	2.1312.003.2	16	washer 6
16	2.0112.005.2	7	screw m 6 p.1 x 16
17	0.016.7024.0	1	gasket
21	0.016.7058.0	1	gasket
22	2.1011.103.2	3	nut m 6 p.1
23	0.136.7385.0	2	rubber plug
24	0.136.7384.0	2	cup
25	0.136.7387.0	2	rubber plug 15x27x5
26	0.010.0437.0	2	support
27	2.0112.311.2	2	screw m 10 p.1.5 x 30
28	2.0112.307.2	4	screw m 10 p.1.5 x 20
29	2.1470.006.2	4	lock washer 10
30	2.0112.007.2	1	screw m 6 p.1 x 20
35	2.1569.237.0	1	gasket
36	0.015.3324.0	1	pin
37	0.011.0070.0	1	pin
39	0.016.7021.0	0.48	gasket
40	0.016.7021.0	0.48	gasket
41	2.1599.044.2	2	shoulder 10.5x25.5x1.5
42	2.1579.090.2	2	spacer 10.1x15x18
43	0.017.8894.0	1	bracket
44	2.0112.013.2	2	screw m 6 p.1 x 35

FUEL FILTER PARTS

Fig.	Code	QTY	Name
1	2.4319.060.0/20	1	fuel filter
2	2.1310.003.2	1	flat washer 7.4x14
3	2.1530.010.0	1	'o' ring 6.07x1.78
4	2.4319.060.1	1	fuel filter element
5	2.1530.034.0	1	'o' ring 13.95x2.62
6	2.4319.061.1	1	cup
7	2.4319.061.2	1	gasket 8x14x1.5
8	2.4319.061.3	1	plug m 8 p.1.25
9	0.000.0000.1	0	not serviceable
10	2.4319.060.2	1	screw
11	2.3119.005.2	1	plug m 10 p.1.5
12	2.1560.005.0	1	gasket 10.2 x 14



2_4319_060_0_20

Agrolux 4.75 ->D10S704WXE15001

F0 - FRONT AXLE

FRONT SUPPORT

FRONT SUPPORT..... F0.01.0 (1)

4WD - FRONT SUPPORT..... F0.01.1 (1)

2WD FRONT AXLE

2WD - AXLE..... F0.02.0 (1)

2WD - EXTENDIBLE AXLE..... F0.02.1 (1)

2WD - STEERING LEVERS..... F0.02.3 (1)

2WD - STEERING LEVERS..... F0.02.4 (1)

2WD - STEERING LEVERS..... F0.02.5 (1)

FRONT DIFFERENTIAL

4WD - PROPELLER SHAFT..... F0.04.5 (1)

4WD - PROPELLER SHAFT - GUARDS..... F0.04.7 (1)

STEERING CYLINDER

2WD - POWER STEERING CYLINDER..... F0.05.2 (1)

4WD - POWER STEERING CYLINDER..... F0.05.3 (1)

CYLINDER PARTS..... 0.467.6342.4.A

FINAL DRIVE REDUCTION UNITS AND HALF-SHAFTS

FRONT WHEEL HUB COVER..... F0.06.1 (1)

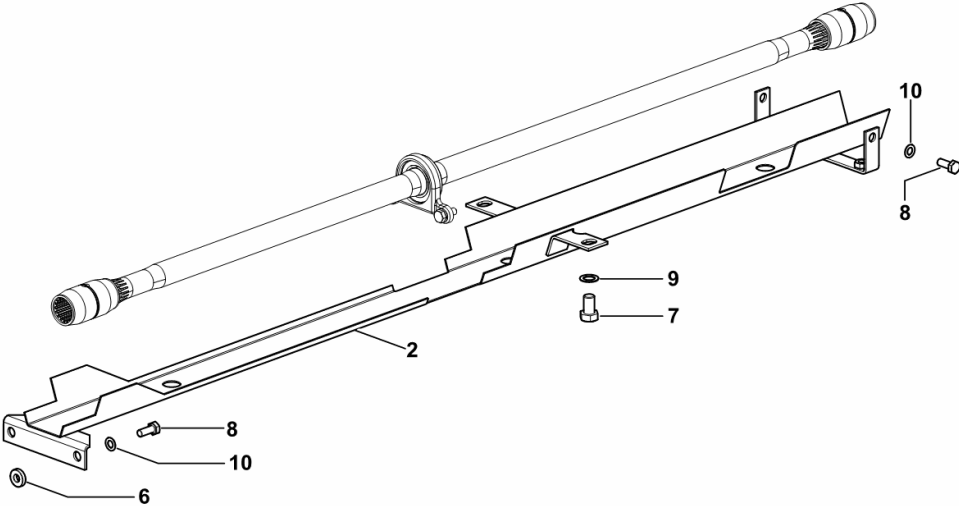
4WD - PROPELLER SHAFT - GUARDS

Fig.	Code	QTY	Name
------	------	-----	------

Notes:
 [Agrolux 4.75 4WD ->D10S704WXE15001]

2	0.017.6822.3	1	guard
6	2.1549.139.2	2	spacer 8.5x20x5
7	2.0112.407.2	2	screw m 12 p.1.75 x 20
8	2.0112.207.2	4	screw m 8 p 1.25 x 20
9	2.1470.007.2	2	lock washer 12
10	2.1470.004.2	4	washer 8

19_Q1326_10_0-A-001



Agrolux 4.75 ->D10S704WXE15001

Section: H0 - HYDRAULIC AND PNEUMATIC SYSTEM|

Ref.: H0.01.8 (2)

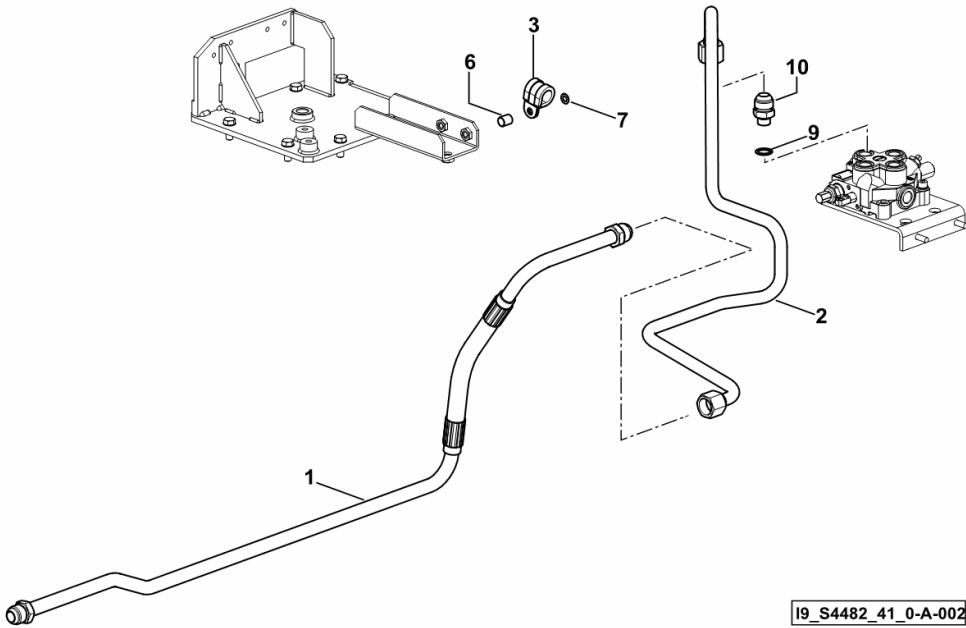
HYDRAULIC SYSTEM - FOR 2-WAY AUXILIARY CONTROL VALVE

Fig.	Code	QTY	Name
------	------	-----	------

Notes:

- FOR TYPES WITHOUT HYDRAULIC TRAILER BRAKING [Agrolux 4.75 2WD ->D10S704WXE15001] - FOR TYPES WITHOUT HYDRAULIC TRAILER BRAKING [Agrolux 4.75 4WD ->D10S704WXE15001]

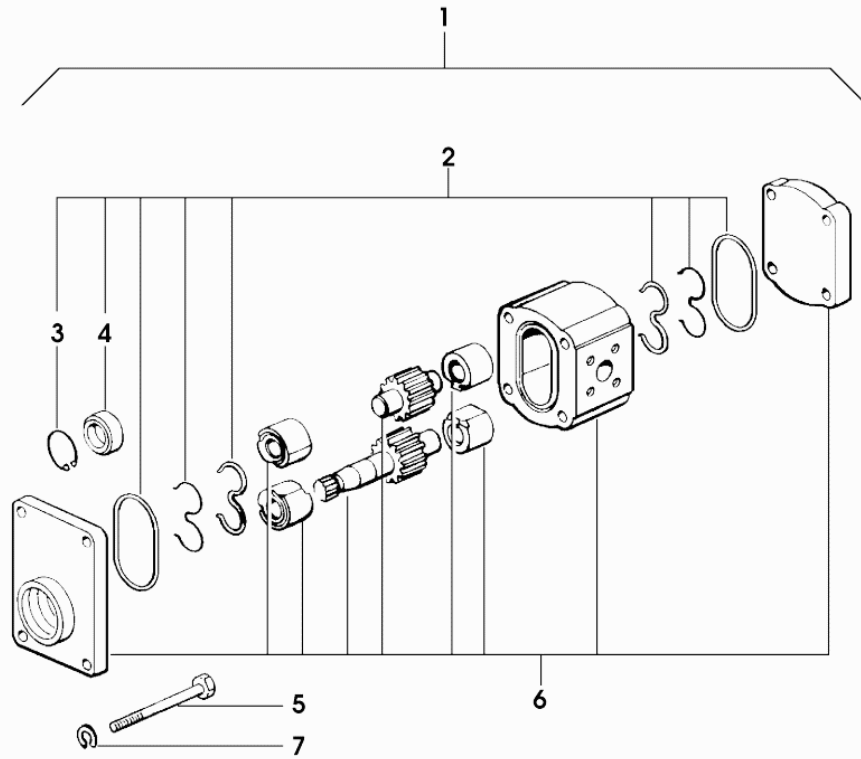
1	0.017.1705.3	1	tube
2	0.017.2143.3/10	1	tube
3	2.6839.039.2	1	clamp Ø 20/25
6	2.1549.463.2	1	spacer 10x14x16
7	2.1470.004.2	1	washer 8
9	2.1560.014.0	1	gasket 18.2 x 24 x 1.5
10	2.3339.235.2	1	pipe fitting M 18 x 1" 1/16-12jic



I9_S4482_41_0-A-002

HYDRAULIC PUMP PARTS

Fig.	Code	QTY	Name
1	2.4539.190.0	1	hydraulic pump 8 cc sx/lh/li - BOSCH -
2	2.4529.270.1/10	1	seal ring kit
3	2.1411.012.1	1	circlip 30x1.2, din 472
4	2.4529.270.2	1	'o' ring
5	2.0112.325.2	4	screw m 10 p.1.5 x 80
6	0.000.0000.1	0	not serviceable
7	2.1474.010.2	4	washer 10



2_4539_190_0

Agrolux 4.75 ->D10S704WXE15001

Section: H0 - HYDRAULIC AND PNEUMATIC SYSTEM|

Ref.: H0.07.4 (1)

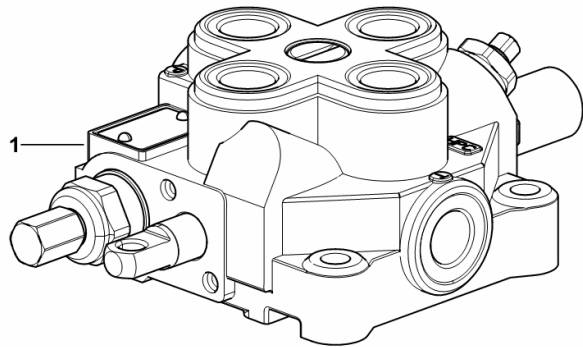
2-WAY AUXILIARY DISTRIBUTOR

Fig.	Code	QTY	Name
------	------	-----	------

Notes:

[Agrolux 4.75 2WD ->D10S704WXE15001] [Agrolux 4.75 4WD ->D10S704WXE15001]

1	2.3729.002.0	1	distributor
---	--------------	---	-------------



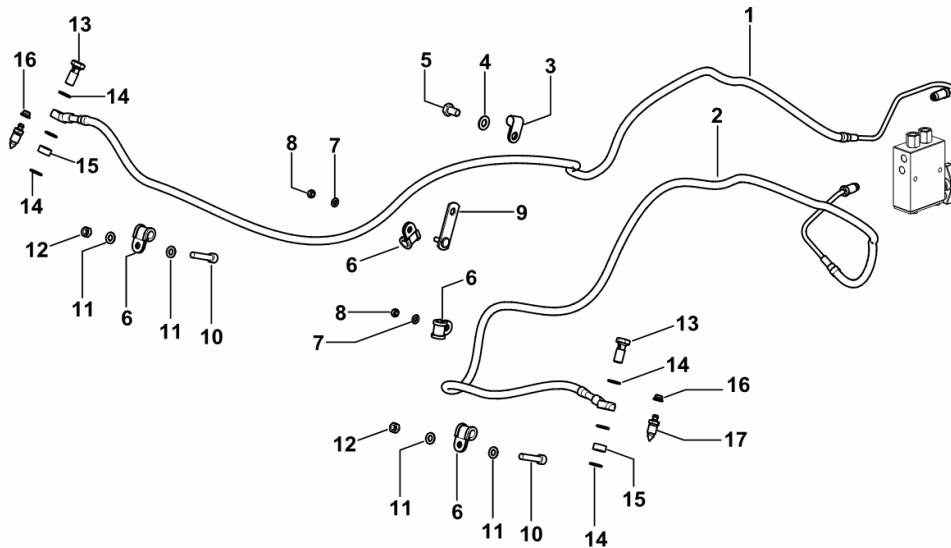
19_S4088_10_0-A-001

FRONT BRAKING SYSTEM

Fig.	Code	QTY	Name
------	------	-----	------

Notes:

[Agrolux 4.75 4WD ->D10S704WXE15001]



1	0.017.6429.3	1	tube dx/rh/re
2	0.017.6401.3	1	tube sx/lh/li
3	2.6839.077.0	1	clamp
4	2.1310.006.2	1	flat washer 10.5
5	2.0112.305.2	1	screw m 10 p.1.5 x 16
6	2.6839.055.0	4	clamp Ø 11 / 20
7	2.1310.002.2	2	washer 6.6, d125
8	2.1011.103.2	2	nut m 6 p.1
9	0.014.3826.3	1	bracket
10	2.0312.214.2	2	screw m 8 p.1.25 x 40
11	2.1310.004.2	4	flat washer 8.5
12	2.1011.105.2	2	nut m 8 p.1.25
13	2.3339.361.2/10	2	pipe union m 12 p.1.25 x 28
14	2.1560.008.0	6	gasket 12.2 x 18
15	2.1579.765.2/10	2	spacer 12.5 x 18 x 8.0
16	2.3199.039.0	2	plug 6.50 x 7.25
17	0.014.6220.0	2	lubricator

19_Q1366_20_0-A-001

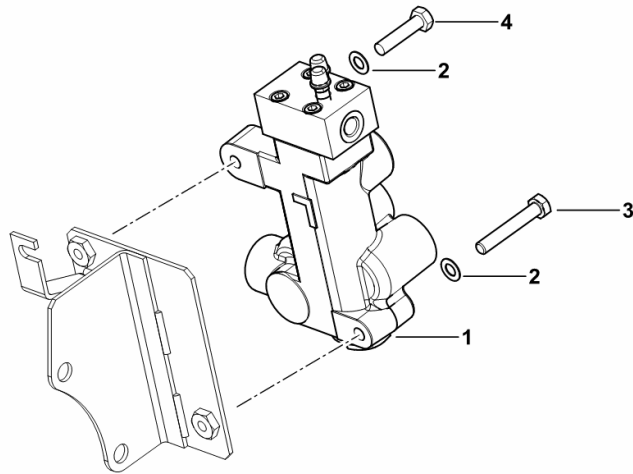
HYDRAULIC TRAILER BRAKING SYSTEM

Fig.	Code	QTY	Name
------	------	-----	------

Notes:

[Agrolux 4.75 2WD ->D10S704WXE15001] [Agrolux 4.75 4WD ->D10S704WXE15001]

1	2.3719.550.0/50	1	valve ☞ 2.3719.550.0/50
2	2.1470.004.2	2	washer 8
3	2.0112.219.2	1	screw m 8 p.1.25x50
4	2.0112.213.2	1	screw m 8 p.1.25 x 35



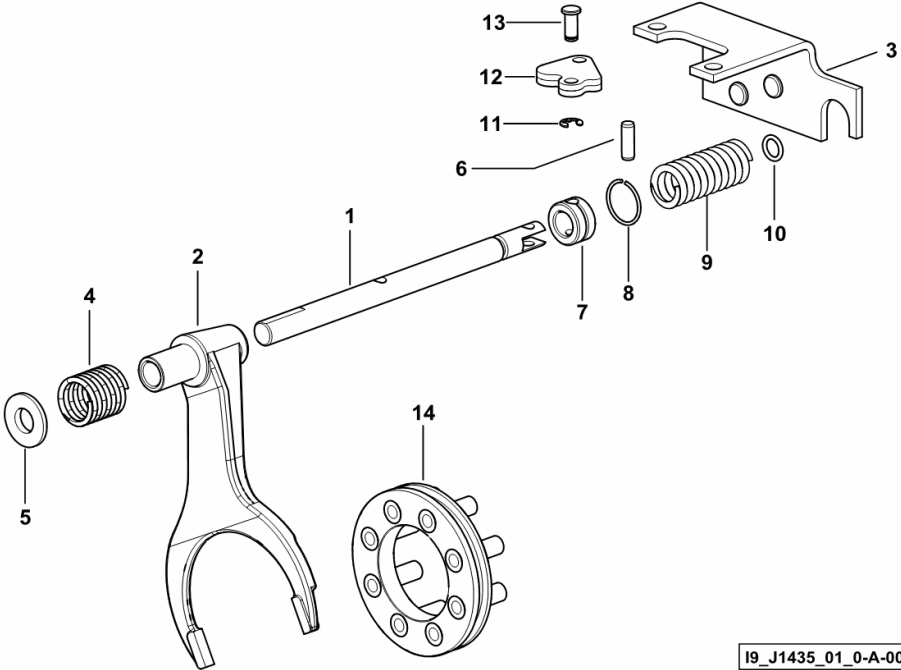
19_S4489_00_0-A-001

Section: E0 - REAR AXLE
DIFFERENTIAL LOCK CONTROL

Fig.	Code	QTY	Name
------	------	-----	------

Notes:
 [Agrolux 4.75 2WD ->D10S704WXE15001] [Agrolux 4.75 4WD ->D10S704WXE15001]

1	0.010.1279.0	1	rod
2	0.008.5169.0/10	1	fork
3	0.016.7643.3/10	1	bracket
4	2.4019.339.1	1	spring 32x56.5x3.5
5	2.1549.119.0/10	1	spacer
6	2.1651.711.0	1	pin 8 x 14
7	0.008.5281.0	1	stop
8	2.1420.011.1	1	circlip Ø 28
9	2.4019.225.1	1	spring 28 x 79 x 4.5
10	2.1530.028.0	1	'o' ring 11.91 x 2.62
11	2.1430.008.7	1	circlip 7
12	0.178.6813.2	1	transmission
13	2.1699.443.2	1	pin
14	0.255.3527.3/20	1	sleeve



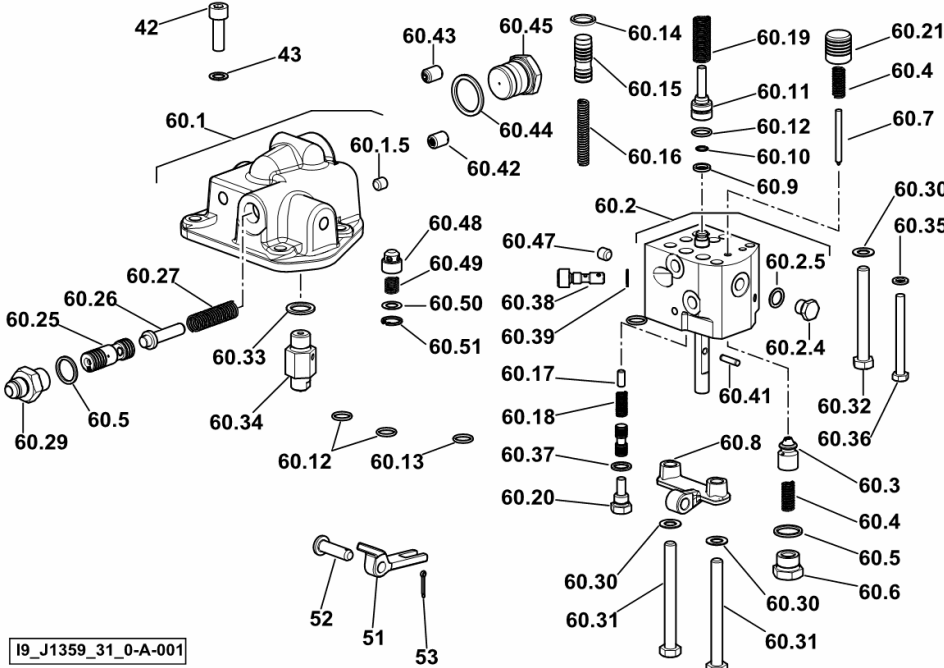
19_J1435_01_0-A-001

FLOW CONTROL VALVE WITH MECHANICAL CONTROL

Fig.	Code	QTY	Name
------	------	-----	------

Notes:

[Agrolux 4.75 2WD ->D10S704WXE15001] [Agrolux 4.75 4WD ->D10S704WXE15001]



19_J1359_31_0-A-001

42	2.0312.208.2	4	screw m 8 p.1.25 x 25
43	2.1480.014.1	4	washer 8
51	0.009.2388.0/10	1	lever
52	2.1671.307.2	1	pin 8x28
53	2.1690.206.2	1	split pin 2x16
60.1	0.016.3190.3	1	manifold
60.1.5	2.0512.202.7	1	screw m 8 p.1.25 x 8
60.2	0.009.2383.3/60	1	distributor
60.2.4	2.3110.401.1	3	plug m 10 p.1x8
60.2.5	2.1560.005.0	3	gasket 10.2 x 14
60.3	0.9087.452.3/10	1	valve
60.4	2.4019.257.1	2	spring 8.8x25x1.1
60.5	2.1560.011.0	2	gasket 16.2x20
60.6	2.3199.062.2	1	plug m 16 p.1.5
60.7	0.9087.450.0/20	1	stem
60.8	0.009.2387.0/30	1	support
60.9	0.9087.456.0	1	washer
60.10	2.1420.002.0	1	circlip a 8
60.11	0.009.3002.0/10	1	small piston
60.12	2.1531.025.0	3	'o' ring 10.82x1.78
60.13	2.1531.009.0	1	'o' ring 5.28x1.78
60.14	2.1531.033.0	1	'o' ring 13.11x2.62
60.15	0.9087.457.0/10	1	valve
60.16	2.4019.256.1	1	spring 7.8 x 54 x 1.4
60.17	2.1699.155.0	1	pin 5x11.5
60.18	2.4019.258.1	1	spring 7.8x25.5x0.9
60.19	2.4019.487.1	1	spring
60.20	2.3199.061.2	1	plug m 10 p.1
60.21	0.9087.451.0/20	1	small piston
60.25	0.009.3324.0/10	1	small piston
60.26	0.9087.468.0	1	pin
60.27	2.4019.006.1	1	spring 12.2x70x1.2
60.29	2.3261.007.2	1	pipe fitting m 16 p.1.5-9/16"
60.30	2.1470.004.2	3	washer 8
60.31	2.0112.225.2	2	screw m 8 p.1.25 x 80
60.32	2.0112.223.2	1	screw m 8 p.1.25x70
60.33	2.1560.010.0	1	gasket 14.2 x 20 x 1.5
60.34	0.9087.464.3	1	valve
60.35	2.1470.002.2	1	washer 6, d128
60.36	2.0112.021.2	1	screw m 6 p.1 x 60
60.37	2.1569.095.0	1	gasket 10.4x14x1.2

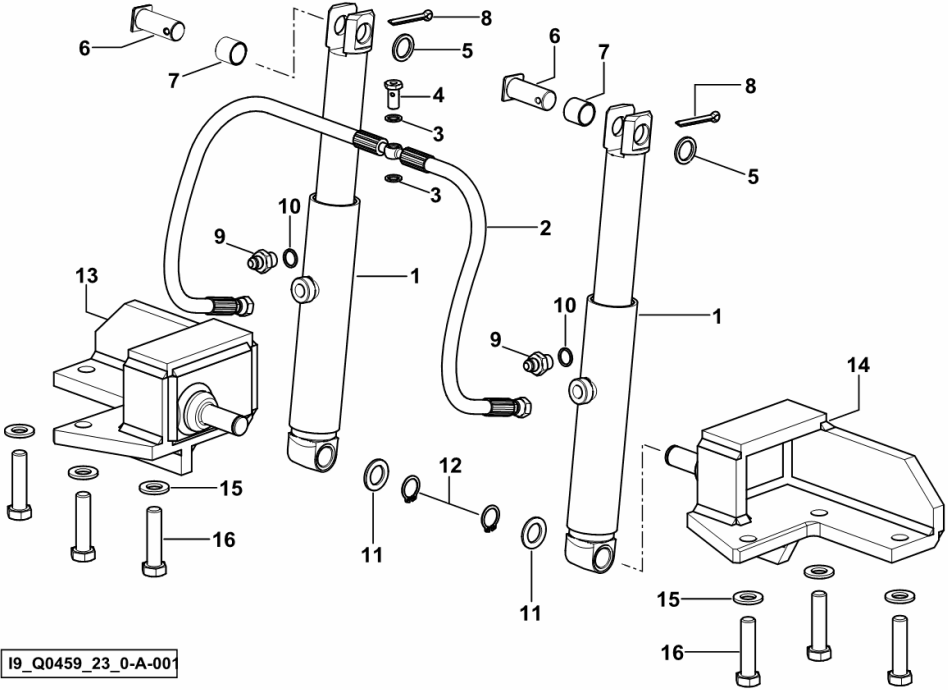
SUPPLEMENTARY HYDRAULIC CYLINDERS

Fig.	Code	QTY	Name
------	------	-----	------

Notes:

[Agrolux 4.75 2WD ->D10S704WXE15001] [Agrolux 4.75 4WD ->D10S704WXE15001]

1	0.010.7534.4	2	cylinder ☞ 0.010.7534.4
2	0.010.7533.3/10	1	tube
3	2.1560.008.0	2	gasket 12.2 x 18
4	2.3335.005.2	1	pipe union m 12 p.1.5 x 24
5	2.1599.656.2	2	washer 22 x 30 x 3.0
6	2.1699.372.0/30	2	pin 22x59
7	2.1559.076.0	2	bushing 22.05x26.05x23
8	2.1690.616.2	2	split pin 6.3 x 50
9	2.3261.007.2	2	pipe fitting m 16 p.1.5-9/16"
10	2.1560.011.0	2	gasket 16.2x20
11	2.1311.013.2	2	flat washer 22
12	2.1410.008.1	2	circlip Ø 22
13	0.016.9315.2	1	support
14	0.016.9314.2	1	support
15	2.1475.006.2	6	washer 16
16	2.0113.622.2	6	screw m 16 x 65, d933



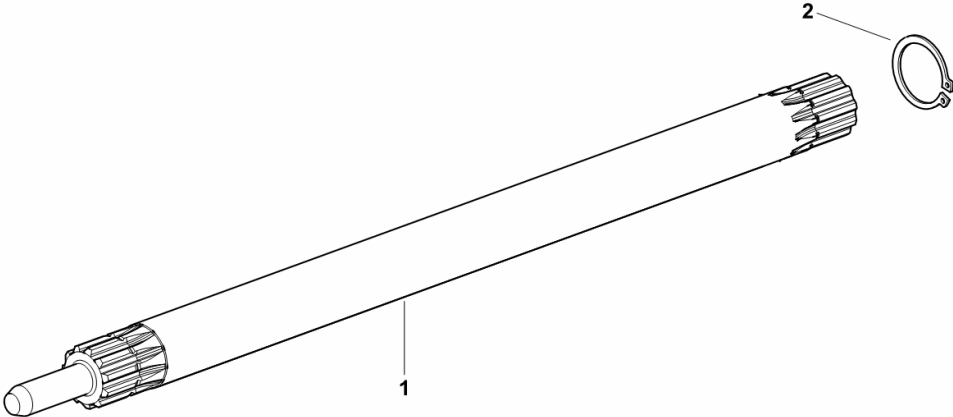
19_Q0459_23_0-A-001

DRIVE SHAFT - P.T.O. SHAFT REAR

Fig.	Code	QTY	Name
------	------	-----	------

Notes:
- 540/750 [Agrolux 4.75 2WD ->D10S704WXE15001] - 540/750 [Agrolux 4.75 4WD ->D10S704WXE15001]

1	0.015.6208.0/10	1	shaft
2	2.1410.010.7	1	ring 25




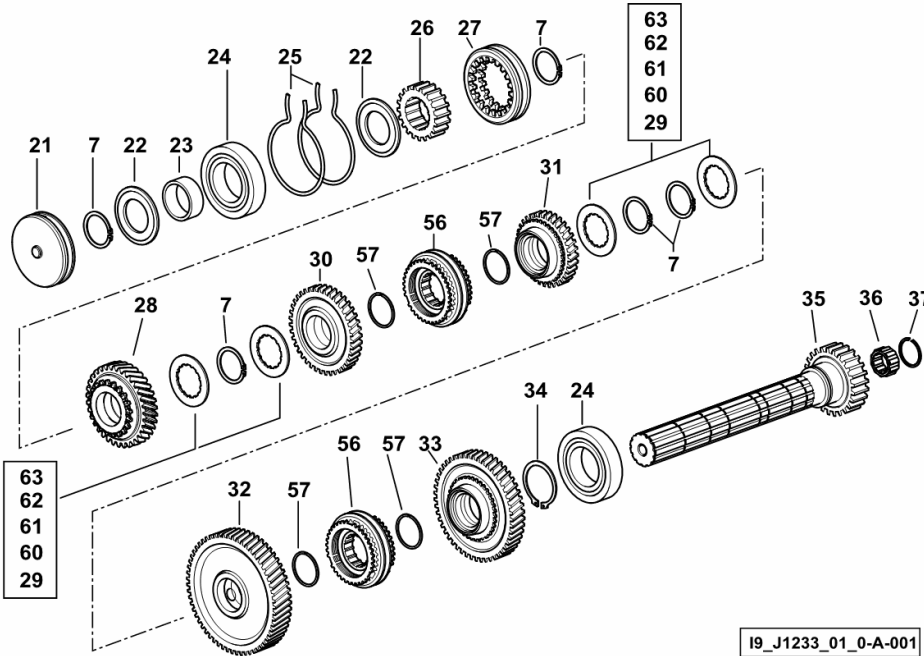
19_J1436_02_0-A-001

Section: D0 - TRANSMISSION
TRANSMISSION SHAFT

Fig.	Code	QTY	Name
------	------	-----	------

Notes:
 - FOR SYNCHRONISED GEARBOX - WITH 30 KPH REVERSE [Agrolux 4.75 2WD ->D10S704WXE15001] - FOR SYNCHRONISED GEARBOX - WITH 30 KPH REVERSE [Agrolux 4.75 4WD ->D10S704WXE15001]

7	2.1419.092.0	6	circlip
21	0.008.5724.0/20	1	flange
22	2.1599.768.0	2	ring
23	2.1559.313.0/10	1	sleeve 42x50x19.5
24	2.2042.014.9	2	ball bearing 50 x 90 x 20
25	2.1499.123.1/10	2	circlip 86 x 2.46
26	0.010.1060.0	1	hub Z = 20
27	0.010.1059.0	1	hub Z = 20
28	0.015.7297.0	1	gear z=34
29	0.008.0251.0	0.8	shim 39 x 64 x 2.65
30	0.010.5558.0	1	gear z=39
31	0.010.5559.0	1	gear z=33
32	0.010.5556.0	1	gear Z = 59
33	0.010.5557.0	1	gear Z = 49
34	2.1410.020.1	1	circlip 50
35	0.010.5555.0	1	shaft
36	2.2999.173.0	1	roller cage 23 x 35 x 16.2
37	2.1423.026.7	1	circlip 35 x 1.5
56	0.009.6825.4	2	lock synchronizer 62  0.009.6825.4
57	2.1422.029.7	4	circlip 40 x 1.5
60	0.010.0629.0	1	shim 39 x 64 x 2.85
61	0.010.0630.0	0.8	shim 39 x 64 x 3.05
62	0.010.0631.0	0.8	shim 39 x 64 x 3.25
63	0.010.0632.0	0.8	shim 39 x 64 x 3.45



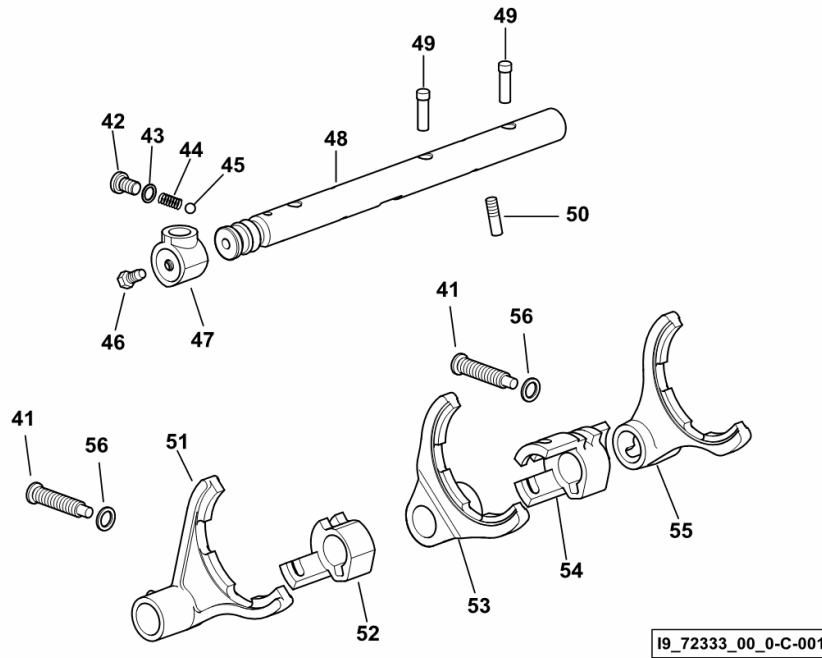
INTERNAL CONTROLS

Fig.	Code	QTY	Name
------	------	-----	------

Notes:

- FOR NON SYNCHRONISED GEARBOX - WITH 10 KPH REVERSE [Agrolux 4.75 2WD ->D10S704WXE15001] -
 FOR NON SYNCHRONISED GEARBOX - WITH 10 KPH REVERSE [Agrolux 4.75 4WD ->D10S704WXE15001]

41	2.0399.206.2	2	screw m 12 p.1.75 x 56.5
42	2.3199.238.2	1	plug m 10
43	2.1560.005.0	1	gasket 10.2 x 14
44	2.4019.670.1	1	spring 5 x 8 x 1.5 x 22.5
45	2.2810.004.0	1	ball 5/16"
46	2.0399.019.1	1	screw m 8 p.1 x 16
47	0.008.5226.0/20	1	hub
48	0.008.5130.0/70	1	rod
49	0.008.5994.0/10	3	pin
50	2.0399.286.0/10	2	grain m 8 p.1.25 x 28
51	0.014.6201.0	1	fork
52	0.008.5198.0/40	1	hub
53	0.014.6202.0	1	fork
54	0.010.4945.0	1	sleeve
55	0.014.6203.0/10	1	fork
56	2.1560.008.0	2	gasket 12.2 x 18



19_72333_00_0-C-001

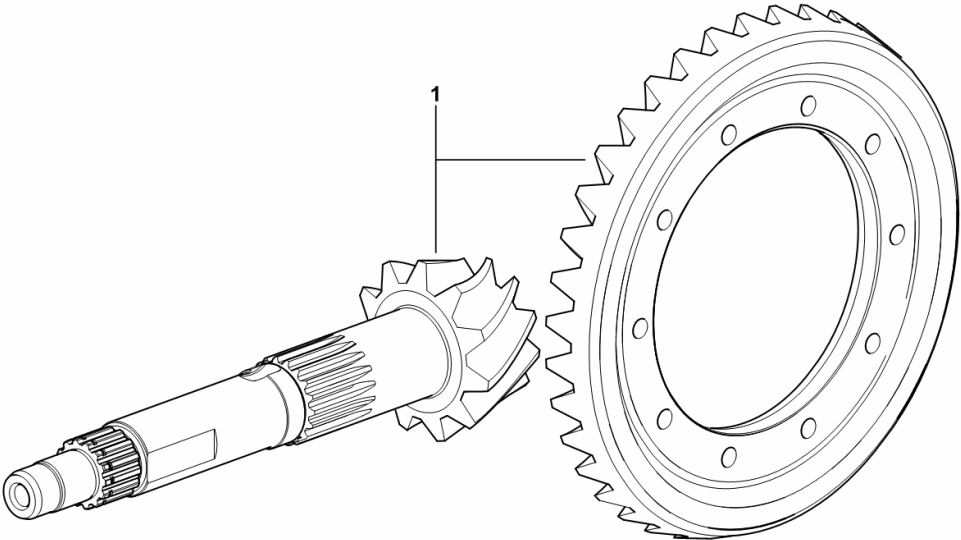
BEVEL WHEEL GEAR

Fig.	Code	QTY	Name
------	------	-----	------

Notes:
 - EXPORT U.S.A. [Agrolux 4.75 2WD ->D10S704WXE15001] - EXPORT U.S.A. [Agrolux 4.75 4WD ->D10S704WXE15001]

1	0.012.1576.3/20	1	bevel gear Z = 10 / Z = 34
---	-----------------	---	----------------------------

19_72335_04_0-A-001

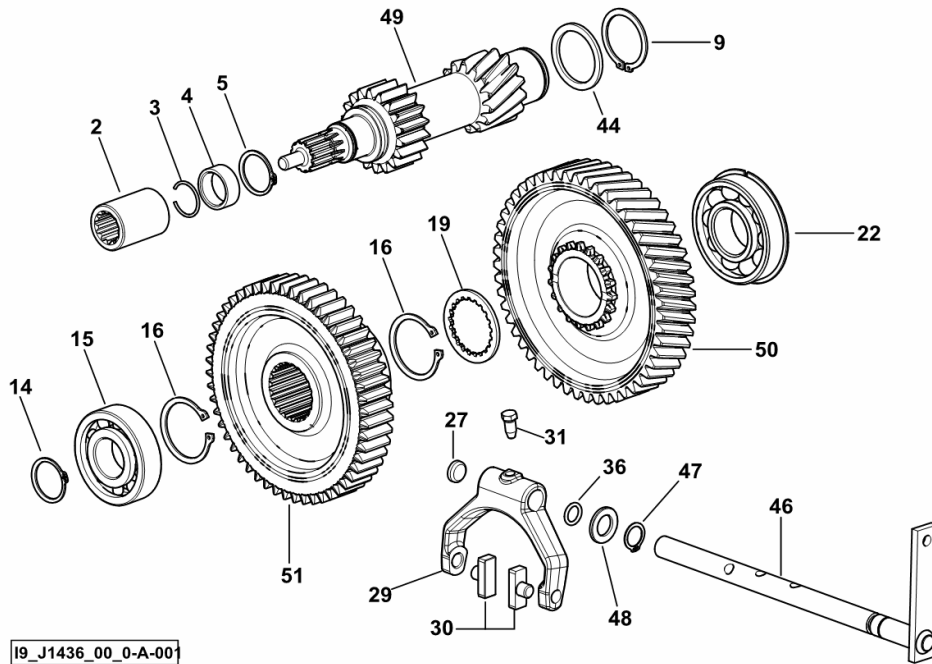


P.T.O. - WITH N° 540 - 750

Fig.	Code	QTY	Name
------	------	-----	------

Notes:

[Agrolux 4.75 2WD ->D10S704WXE15001] [Agrolux 4.75 4WD ->D10S704WXE15001]



2	0.010.7696.0	1	sleeve Z = 11
3	2.1421.010.7	1	circlip 25
4	2.1549.172.0	1	spacer 24.7 x 31 x 12
5	2.1410.012.1	1	circlip 30
9	2.1410.016.1	1	circlip 40
14	2.1410.012.1	1	circlip 30
15	2.2060.009.9	1	bearing 30 x 72 x 19
16	2.1410.018.7	2	circlip 45
19	2.1599.828.0/10	1	thrust plate 41 x 55 x 3
22	2.2999.235.0	1	bearing 35 x 80 x 21
27	2.3171.006.4	5	plug Ø 16
29	0.010.0468.0	1	fork
30	0.255.6463.0	2	shoe
31	2.0399.019.1	1	screw m 8 p.1 x 16
36	2.1530.028.0	1	'o' ring 11.91 x 2.62
44	2.1599.414.0	1	snoulder 40 x 50 x 3.0
46	0.012.4365.2/10	1	lever
47	2.1410.004.2	1	circlip 16
48	2.1311.010.2	1	flat washer 16
49	0.011.9829.0/10	1	shaft Z = 11 / Z = 18 / Z = 14
50	0.012.0074.0	1	gear Z = 51
51	0.012.0103.0	1	gear Z = 52

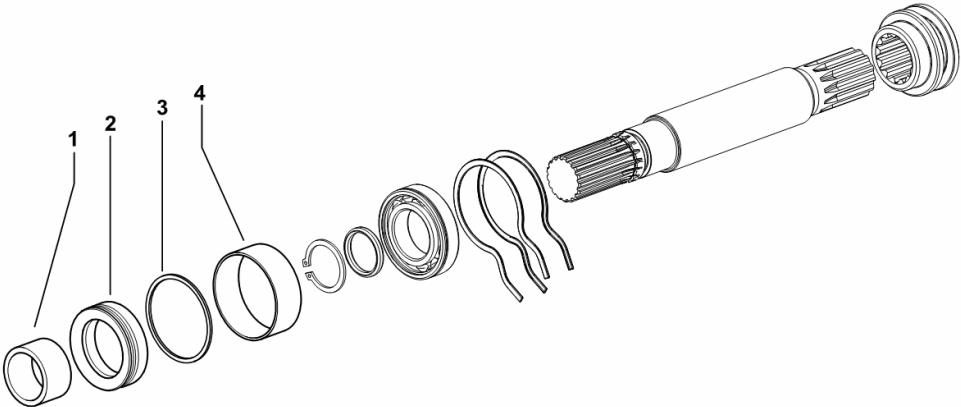
I9_J1436_00_0-A-001

4WD - ENGAGEMENT CONTROL - WATERPROOF SEALS

Fig.	Code	QTY	Name
------	------	-----	------

Notes:
[Agrolux 4.75 4WD ->D10S704WXE15001]

1	2.1549.216.0	1	spacer 30x37x20.5
2	2.1529.117.0	1	'o' ring 37x52x16
3	2.1559.340.0	1	bushing 52x55x20
4	2.1589.247.0/20	1	thrust plate 50x55x1.5



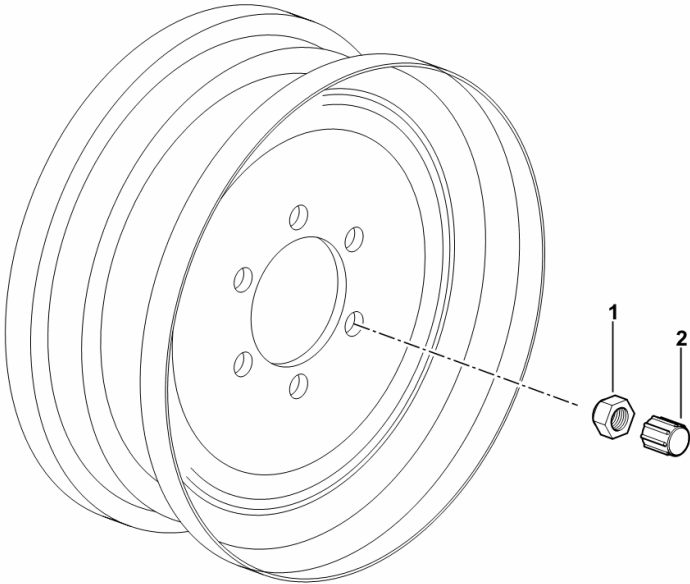
I9_D1038_02_0-A-001

2WD - FRONT WHEEL MOUNTING

Fig.	Code	QTY	Name
------	------	-----	------

Notes:
- FOR TYPES WITH FIXED AXLE [Agrolux 4.75 2WD ->D10S704WXE15001]

1	0.012.8307.0	12	nut
2	0.014.6080.0	12	cap



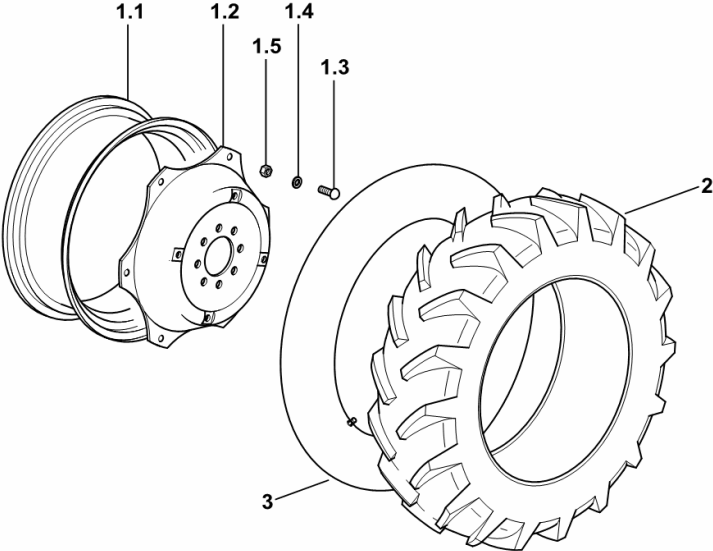
I9_R9355_60_0-A-001

WHEELS 9.5-20" PR8 A6

Fig.	Code	QTY	Name
------	------	-----	------

Notes:
 [Agrolux 4.75 4WD ->D10S704WXE15001]

1.1	0.012.2835.3	1	rim W 8x20" C/ST
1.2	0.010.4301.0	1	rim center flange
1.3	2.0099.005.6	6	screw m 16 p.1.5 x 38
1.4	2.1499.019.6	6	washer 16.3 x 31.5
1.5	2.1019.059.6	6	nut m 16 p.1.5 x 16
2	2.4811.240.0	2	tyre 9.5-20" PR8 A6
3	2.4820.023.0	2	air chamber



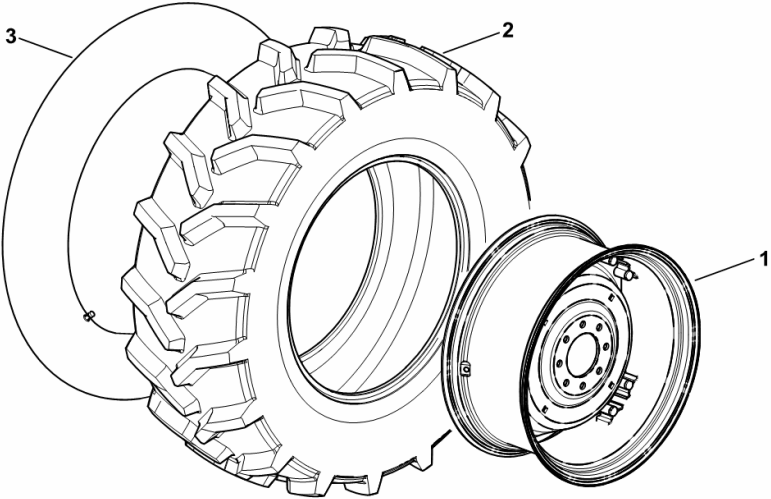
I9_I4655_20_0-A-001

Section: S0 - WHEELS
WHEELS 12.4-28"

Fig.	Code	QTY	Name
------	------	-----	------

Notes:
 [Agrolux 4.75 2WD ->D10S704WXE15001] [Agrolux 4.75 4WD ->D10S704WXE15001]

1	0.016.1361.4	2	rim W11x28
2	2.4811.218.0	2	tyre 12.4-28"
3	2.4820.029.0	2	air chamber x 11-28



19_R9755_42_0-A-001

CLICK HERE TO **DOWNLOAD** THE COMPLETE MANUAL

- Thank you very much for reading the preview of the manual.
- You can download the complete manual from: www.heydownloads.com by clicking the link below



- Please note: If there is no response to CLICKING the link, please download this PDF first and then click on it.

CLICK HERE TO **DOWNLOAD** THE COMPLETE MANUAL