

AGROLUX 50 E ->D10S453WT1E1001

V0 - BALLAST, TOWING HITCHES

FRONT HITCHES

FRONT TOWING HITCH..... V0.01.0 (1)

REAR HITCHES

REAR TOWING HITCH..... V0.02.0 (1)

REAR TOWING HITCH..... V0.02.1 (1)

REAR GEARBOX BRACKETS..... V0.02.2 (1)

REAR OSCILLATING HITCH..... V0.02.3 (1)

FRONT BALLAST WEIGHTS

FRONT WEIGHT CARRIER..... V0.03.0 (1)

FRONT BALLAST..... V0.03.1 (1)

FRONT BALLAST..... V0.03.2 (1)

FRONT BALLAST..... V0.03.3 (1)

WHEEL BALLAST

WHEEL BALLAST REAR 172 Kg..... V0.05.0 (1)

WHEEL BALLAST 172 Kg..... V0.05.1 (1)

WHEEL BALLAST REAR 344 Kg..... V0.05.2 (1)

WHEEL BALLAST 344 Kg..... V0.05.3 (1)

CLICK HERE TO **DOWNLOAD** THE COMPLETE MANUAL

- Thank you very much for reading the preview of the manual.
- You can download the complete manual from: www.heydownloads.com by clicking the link below



- Please note: If there is no response to CLICKING the link, please download this PDF first and then click on it.

CLICK HERE TO **DOWNLOAD** THE COMPLETE MANUAL

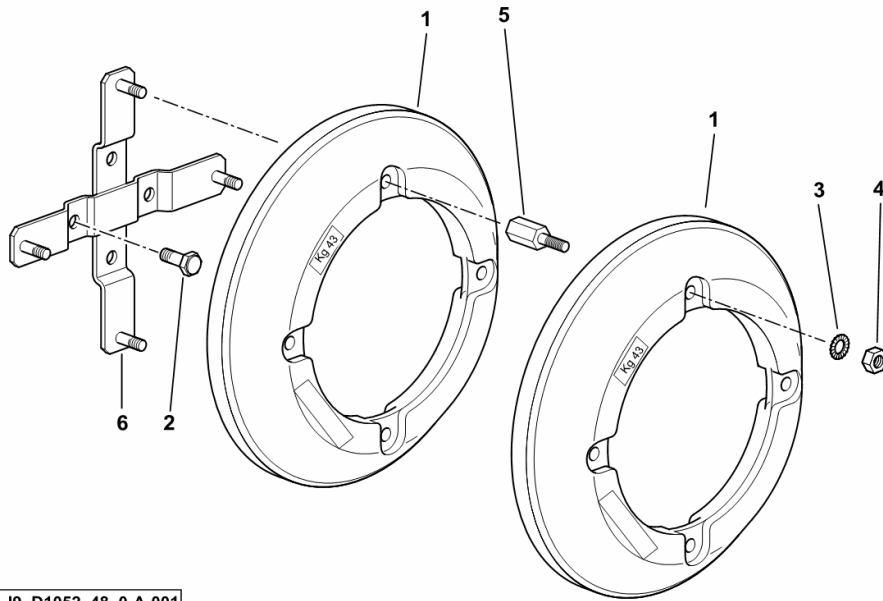
WHEEL BALLAST REAR 172 Kg

Fig.	Code	QTY	Name
------	------	-----	------

Notes:

- FOR TYPES WITH STANDARD AND LONG SEALED REAR AXLE [AGROLUX 50 E 2WD ->D10S453WX1E1001]
- FOR TYPES WITH STANDARD AND LONG SEALED REAR AXLE [AGROLUX 50 E 4WD ->D10S453WT1E1001]

1	0.135.5540.0/10	4	ballast 43 Kg
2	2.0399.258.6	8	screw
3	2.1470.009.2	4	lock washer 16
4	2.1011.309.2	8	nut m 16 p.1.5
5	0.001.8527.0	8	small column
6	0.011.3903.3/10	2	support



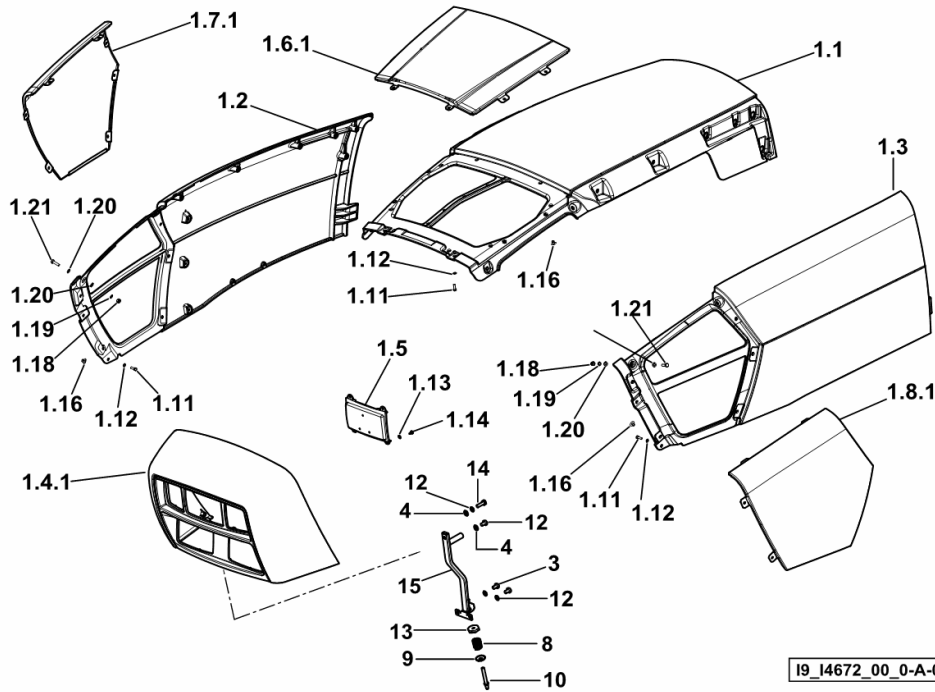
19_D1052_48_0-A-001

HOOD

Fig.	Code	QTY	Name
------	------	-----	------

Notes:

- FOR TYPES W/O EXTENSION FOR AIR PREFILTER [AGROLUX 50 E 2WD ->D10S453WX1E1001] -> 1294 -
 FOR TYPES W/O EXTENSION FOR AIR PREFILTER [AGROLUX 50 E 4WD ->D10S453WT1E1001]



1.1	0.015.6735.2/10	1	bonnet
1.2	0.015.6734.2/30	1	right h.side panel
1.3	0.015.6733.2/30	1	lift hand side panel
1.4.1	0.014.8539.2/20	1	grille/grid
1.5	0.015.1840.0	1	grille
1.6.1	0.014.8537.0/10	1	grille
1.7.1	0.014.8475.0/10	1	grille dx/rh/re
1.8.1	0.014.8471.0/10	1	grille sx/lh/li
1.11	2.0114.105.2	6	screw m 5 x 16
1.12	2.1310.001.2	6	flat washer 5.3
1.13	2.1310.028.2	4	flat washer 4
1.14	2.0350.454.6	4	screw m 4.2 x 13 -AB-
1.16	2.1899.074.0	22	rivet 4.7
1.18	2.1120.003.2	4	nut m 6
1.19	2.1470.002.2	4	washer 6, d128
1.20	2.1310.002.2	8	washer 6.6, d125
1.21	2.0112.008.2	4	screw m 6 p.1x22
3	2.0112.203.2	3	screw m 8 p.1.25 x 12
4	2.1310.004.2	2	flat washer 8.5
8	2.4019.804.2	1	spring
9	0.009.7867.0	1	bottom
10	0.009.7868.0/30	1	pin
12	2.1470.004.2	3	washer 8
13	0.010.0849.0	1	ring nut
14	2.0112.209.2	1	screw m 8 p 1.25 x 25
15	0.017.7245.3	1	support

AGROLUX 50 E ->D10S453WT1E1001

Section: G0 - BODYWORK - CAB

Ref.: G0.01.25 (1)

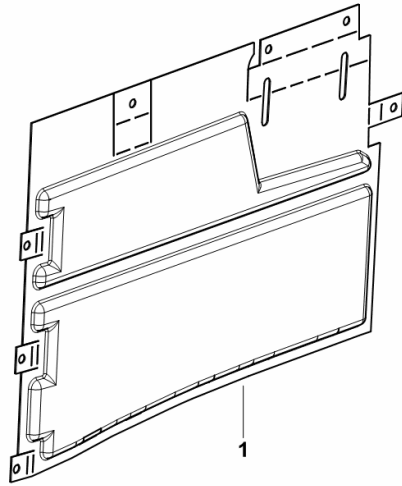
HOOD INSULATION PANEL

Fig.	Code	QTY	Name
------	------	-----	------

Notes:

[AGROLUX 50 E 2WD ->D10S453WX1E1001] [AGROLUX 50 E 4WD ->D10S453WT1E1001]

1	0.016.0461.0	1	panel
---	--------------	---	-------



19_J1272_30_0-A-001

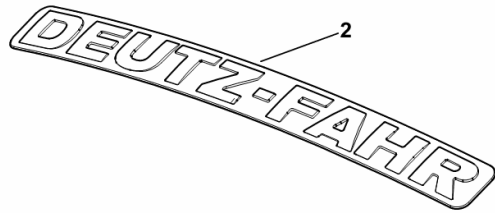
MODEL PLATE

Fig.	Code	QTY	Name
------	------	-----	------

Notes:

[AGROLUX 50 E 2WD ->D10S453WX1E1001] [AGROLUX 50 E 4WD ->D10S453WT1E1001]

1	0.016.1519.0/20	2	plate
2	0.014.9384.2	1	plate DEUTZ-FAHR



19_L1072_15_0-A-001

AGROLUX 50 E ->D10S453WT1E1001

Section: G0 - BODYWORK - CAB

Ref.: G0.02.36 (1)

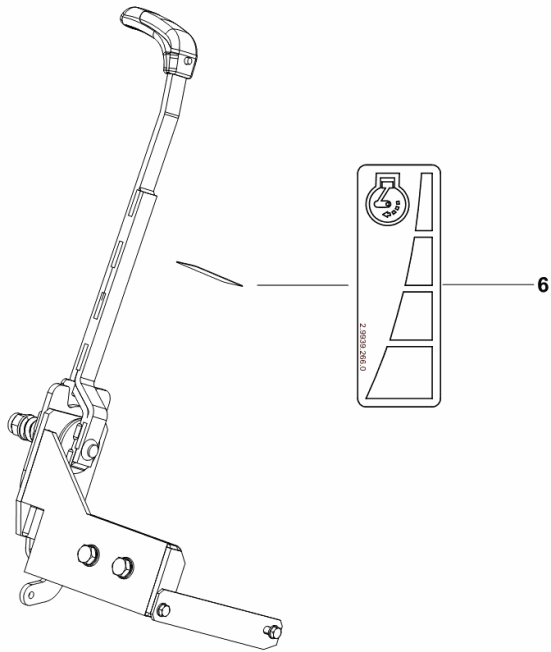
MECHANICAL ACCELERATOR CONTROL IDENTIFICATION PLATE

Fig.	Code	QTY	Name
------	------	-----	------

Notes:

- EXPORT IND [AGROLUX 50 E 2WD ->D10S453WX1E1001] - EXPORT IND [AGROLUX 50 E 4WD ->D10S453WT1E1001]

6	2.9939.266.0	1	plate
---	--------------	---	-------



19_I7067_00_0-B-001

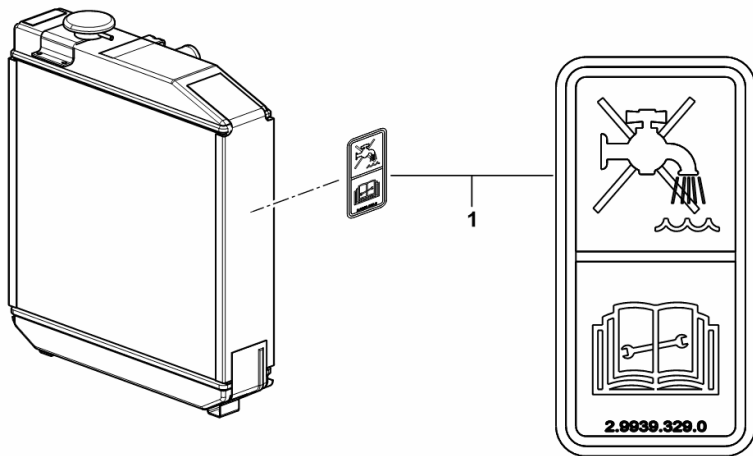
WATER COOLER IDENTIFICATION PLATE

Fig.	Code	QTY	Name
------	------	-----	------

Notes:

[AGROLUX 50 E 2WD ->D10S453WX1E1001] [AGROLUX 50 E 4WD ->D10S453WT1E1001]

1	2.9939.329.0	1	plate
---	--------------	---	-------



I9_J1374_29_0-A-001

AGROLUX 50 E ->D10S453WT1E1001

Section: G0 - BODYWORK - CAB

Ref.: G0.02.66 (1)

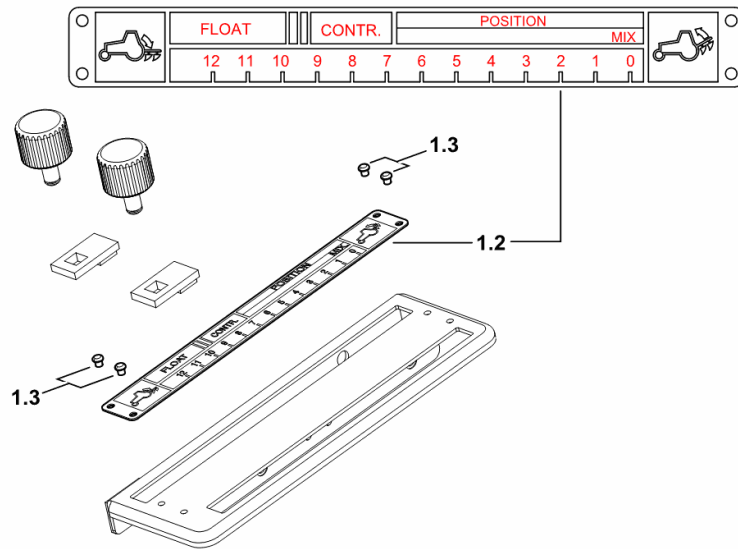
REAR LIFT DECAL

Fig.	Code	QTY	Name
------	------	-----	------

Notes:

- FOR MODELS WITH 2 RANGES [AGROLUX 50 E 2WD ->D10S453WX1E1001] -> 1027 - FOR MODELS WITH 2 RANGES [AGROLUX 50 E 4WD ->D10S453WT1E1001]

1.2	0.010.1663.0	1	plate
1.3	2.1857.105.0	4	rivet 3.17x6.35



19_72359_51_0-B-001

AGROLUX 50 E ->D10S453WT1E1001

Section: G0 - BODYWORK - CAB

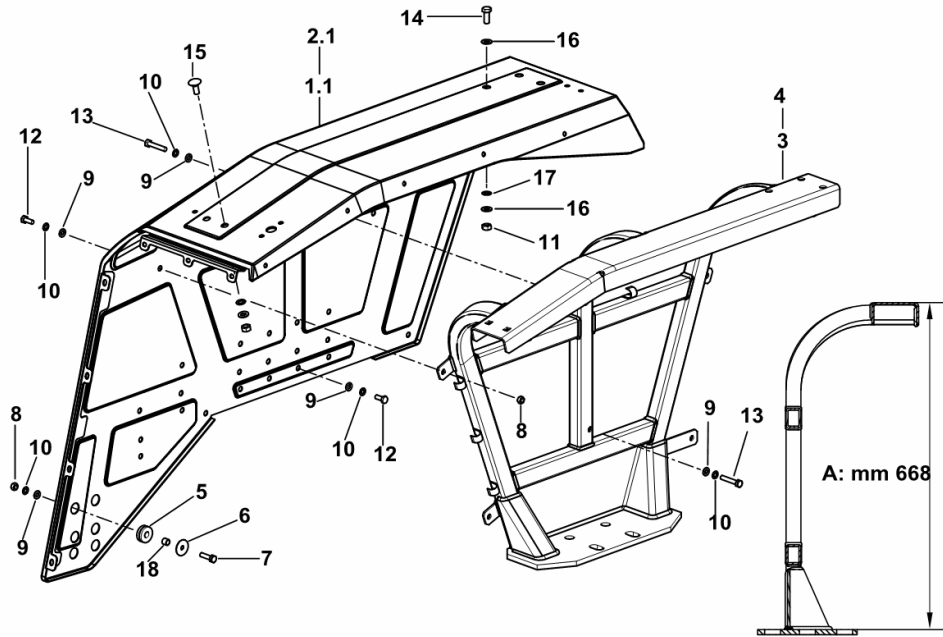
Ref.: G0.04.5 (1)

REAR MUDGUARDS A: mm 668

Fig.	Code	QTY	Name
------	------	-----	------

Notes:

- FOR TYPES WITH FENDER EXTENSIONS [AGROLUX 50 E 2WD ->D10S453WX1E1001] - FOR TYPES WITH FENDER EXTENSIONS [AGROLUX 50 E 4WD ->D10S453WT1E1001]



1.1	0.015.6335.3/30	1	fender sx/lh/li
2.1	0.015.6337.3/20	1	fender dx/rh/re
3	0.015.6522.3/10	1	support sx/lh/li
4	0.015.6677.3/10	1	support dx/rh/re
5	0.157.7693.0	4	rubber plug
6	2.1599.245.0	4	snoulder 8.5 x 32 x 2.0
7	2.0112.211.2	4	screw m 8 p.1.25 x 30
8	2.1011.105.2	4	nut m 8 p.1.25
9	2.1310.004.2	20	flat washer 8.5
10	2.1470.004.2	20	washer 8
11	2.1011.106.2	10	nut m 10 p.1.5
12	2.0112.207.2	18	screw m 8 p 1.25 x 20
13	2.0112.217.2	4	screw m 8 p.1.25 x 45
14	2.0112.309.2	6	screw m 10 p.1.5 x 25
15	2.0029.505.3	4	screw
16	2.1310.006.2	16	flat washer 10.5
17	2.1470.006.2	10	lock washer 10
18	2.1579.120.2	4	spacer 8.8x12x9.5

19_I4676_00_0-A-001

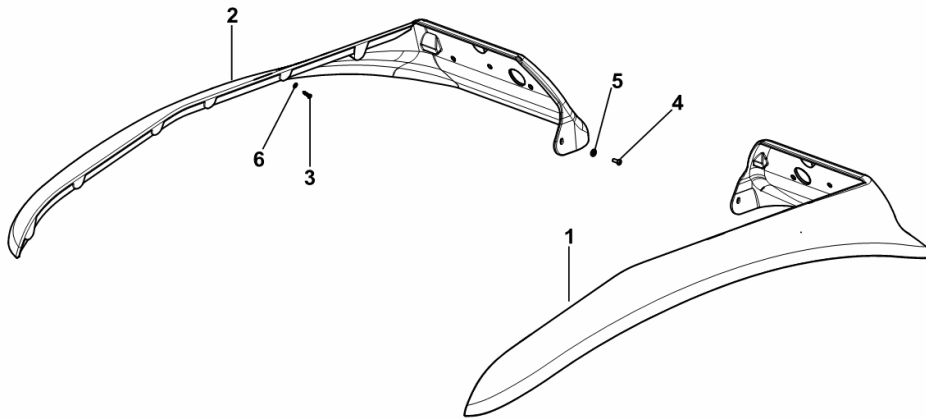
MUDGUARDS EXTENSIONS

Fig.	Code	QTY	Name
------	------	-----	------

Notes:

- FOR TYPES WITHOUT COLLAPSIBLE ROPS [AGROLUX 50 E 2WD ->D10S453WX1E1001] - FOR TYPES WITHOUT COLLAPSIBLE ROPS [AGROLUX 50 E 4WD ->D10S453WT1E1001]

1	0.016.0640.0/10	1	extension sx/lh/li
2	0.016.0641.0/10	1	extension dx/rh/re
3	2.0350.456.3	18	screw m 4.2 x 19 -AB-
4	2.0332.406.2	2	screw m 6 p.1.0 x 16
5	2.1310.003.2	2	flat washer 7.4x14
6	2.1310.001.2	18	flat washer 5.3



19_17076_25_0-A-001

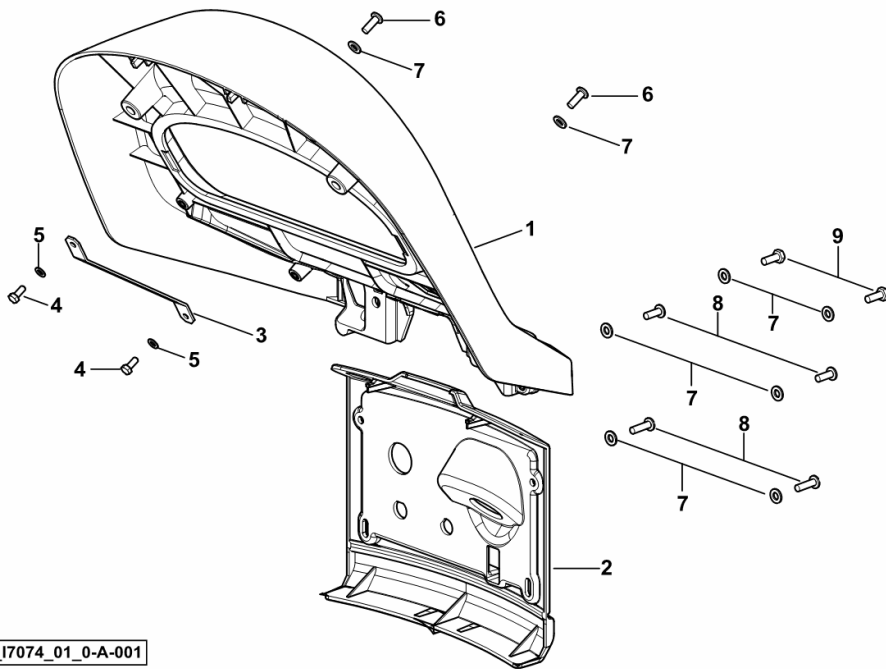
DASHBOARD

Fig.	Code	QTY	Name
------	------	-----	------

Notes:

- FOR TYPES WITHOUT WORKING LIGHTS [AGROLUX 50 E 2WD ->D10S453WX1E1001] - FOR TYPES WITHOUT WORKING LIGHTS [AGROLUX 50 E 4WD ->D10S453WT1E1001]

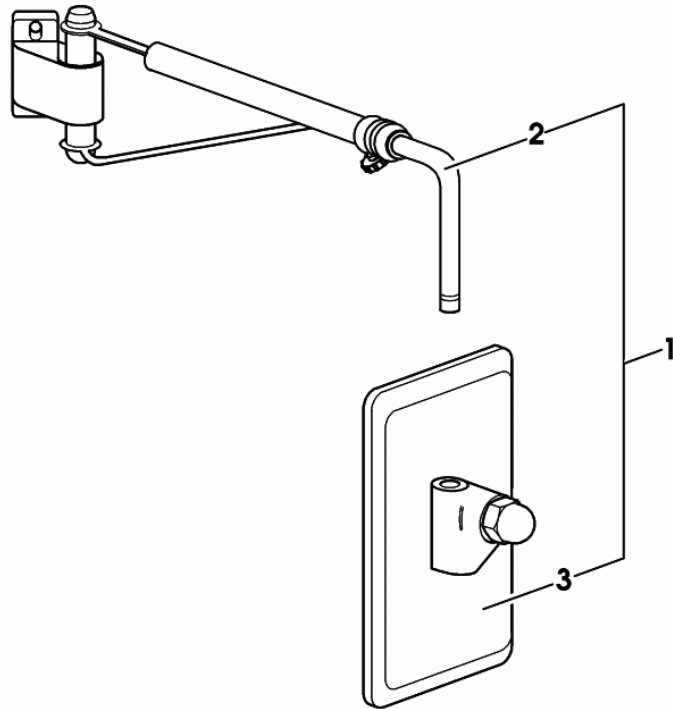
1	0.015.2939.2/10	1	dashboard
2	0.015.2940.2/10	1	dashboard
3	0.015.3310.0	1	square
4	2.0114.103.2	2	screw m 5 x 12
5	2.1310.001.2	2	flat washer 5.3
6	2.0332.406.2	4	screw m 6 p.1.0 x 16
7	2.1310.002.2	8	washer 6.6, d125
8	2.0332.407.2	2	screw m 6 x 20
9	2.0112.005.2	2	screw m 6 p.1 x 16



19_17074_01_0-A-001

REARVIEW MIRROR

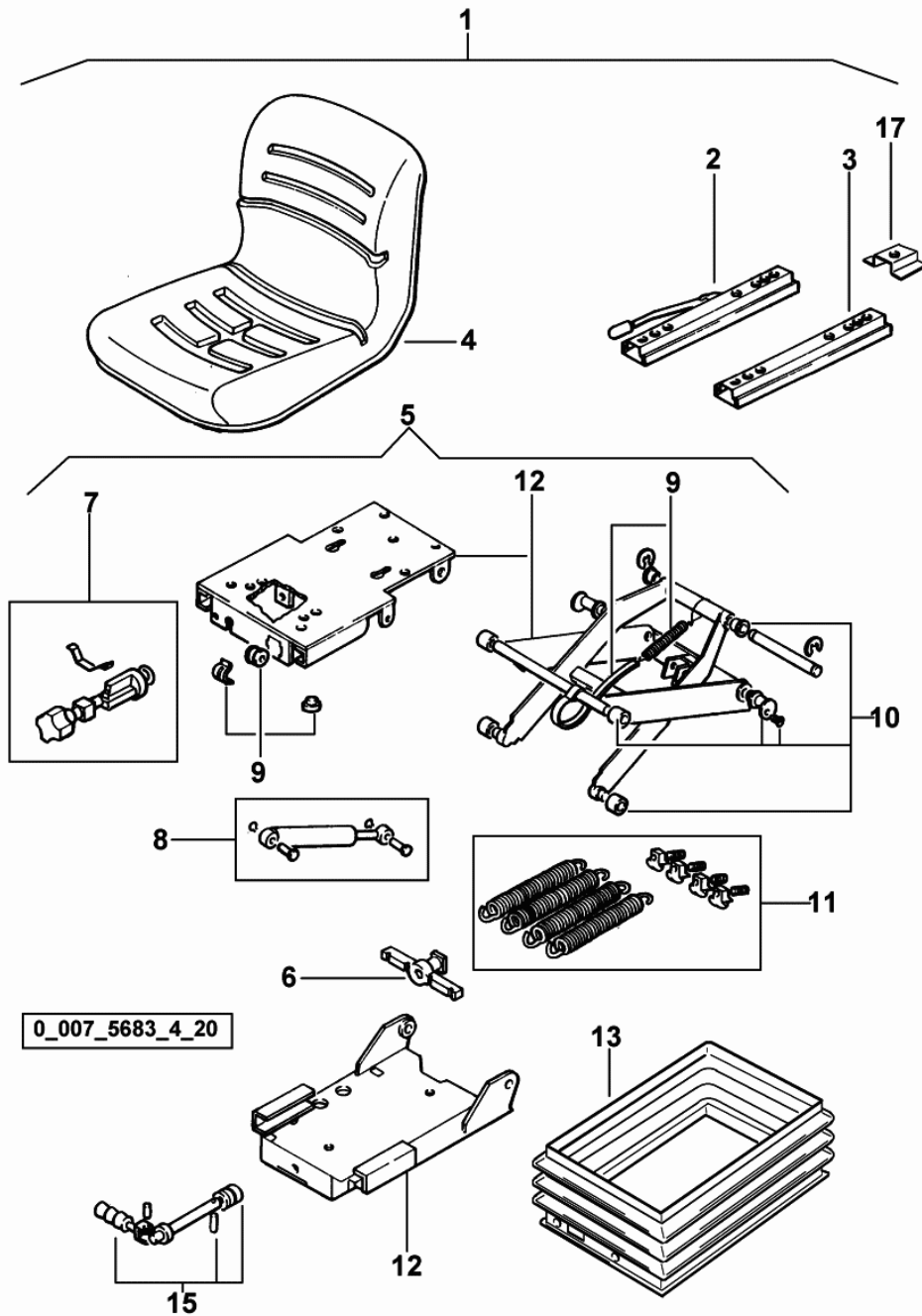
Fig.	Code	QTY	Name
1	0.010.1604.4/40	1	rear view mirror sx/lh/li
2	0.010.3096.2	1	rod
3	0.9233.183.3	1	rear view mirror



0_010_1604_4_40

SEAT-COMPONENTS

Fig.	Code	QTY	Name
1	0.007.5683.4/20	1	seat GRAMMER MSG 83/7L
2	0.009.4001.1	1	guide
3	0.009.4002.1	1	guide
4	0.009.4013.1	1	seat
5	0.008.3584.3	1	seat springs
6	0.009.4495.1	1	bracket
7	0.009.4008.1	1	knob
8	0.009.4009.1	1	shoch.absorber
9	0.009.4010.1	1	regulator
10	0.009.4011.1	1	pin
11	0.257.7561.1	1	guide
12	0.000.0000.1	0	not serviceable
13	0.009.4147.1	1	guard
15	0.010.2964.0	1	register
17	0.009.4000.1	1	bracket



AGROLUX 50 E ->D10S453WT1E1001

Section: G0 - BODYWORK - CAB

Ref.: G0.12.2 (1)

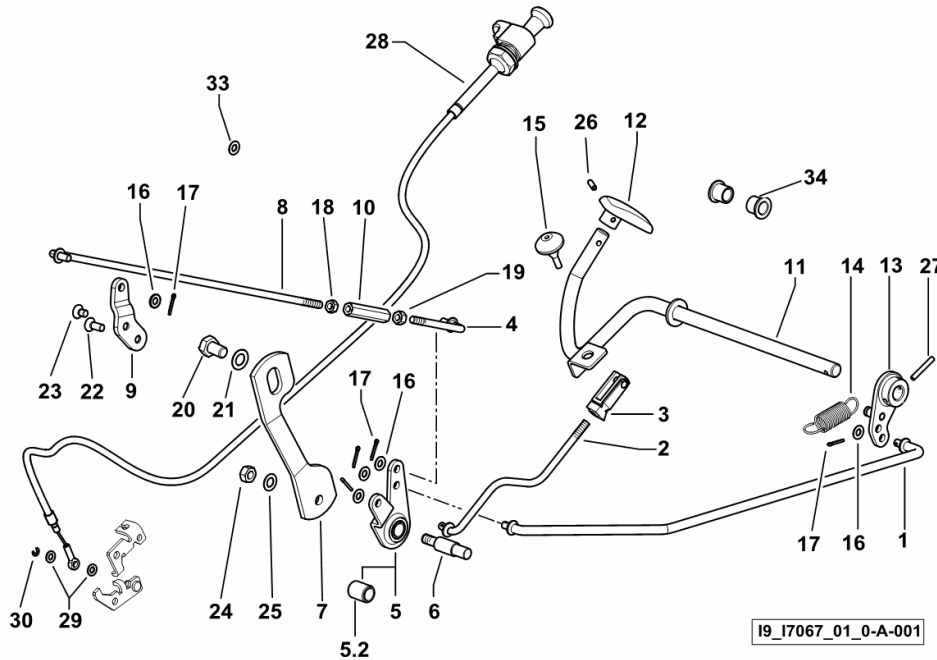
MECHANICAL ACCELERATOR CONTROL AND ENGINE STOP

Fig.	Code	QTY	Name
------	------	-----	------

Notes:

- EXPORT IND [AGROLUX 50 E 2WD ->D10S453WX1E1001] 1357 <- - EXPORT IND [AGROLUX 50 E 4WD ->D10S453WT1E1001] 1357 <-

1	0.016.0135.3/10	1	rod
2	0.015.8959.3/10	1	rod
3	0.010.1796.0	1	universal joint
4	0.290.6712.2	1	rod
5	0.011.4836.3	1	small lever
5.2	2.1559.192.0/10	1	bushing
6	2.1699.560.0	1	pin
7	0.012.7447.0/20	1	square
8	0.015.5294.3	1	rod
9	0.015.4791.0	1	small lever
10	2.1099.011.2	1	special nut
11	0.010.1747.2/20	1	pedal
12	0.009.6962.2/10	1	accel. pedal
13	0.010.1754.3	1	lever
14	2.4049.160.2	1	spring
15	0.255.7265.0	1	block
16	2.1311.004.2	5	flat washer 6, d128
17	2.1690.205.2	5	split pin 2x12
18	2.1011.103.2	3	nut m 6 p.1
19	2.1019.007.1	1	special nut m 6 p.1 sx/lh/li
20	2.0112.305.2	1	screw m 10 p.1.5 x 16
21	2.1470.006.2	1	lock washer 10
22	2.0342.203.6	1	screw m 6 p.1.0 x 16
23	2.0342.201.3	1	screw m 6 p.1 x 10
24	2.1011.105.2	1	nut m 8 p.1.25
25	2.1470.004.2	1	washer 8
26	2.1630.409.9	1	roll pin 4x18
27	2.1630.412.9	1	roll pin 4x28
28	0.012.7896.3/10	1	cable
29	2.1310.001.3	2	washer 5.3 x 10
30	2.1430.004.7	1	circlip 3.2
33	2.1470.002.2	1	washer 6, d128
34	2.1559.243.0	2	bushing 12x16x15



AGROLUX 50 E ->D10S453WT1E1001

Section: G0 - BODYWORK - CAB

Ref.: G0.14.2 (2)

RANGE CONTROL

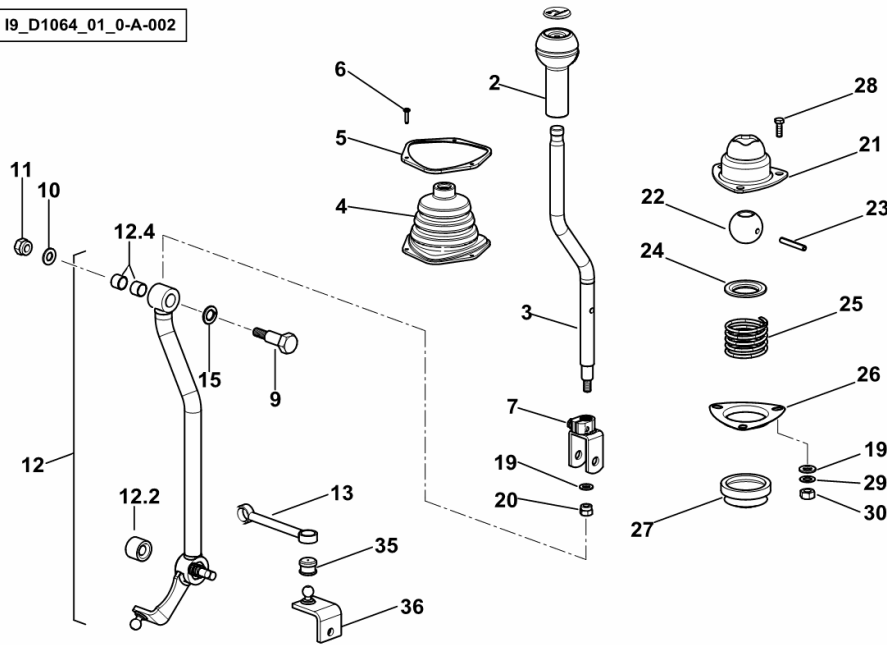
Fig.	Code	QTY	Name
------	------	-----	------

Notes:

- FOR TYPES WITH 4 SPEED 3 RANGE GEARBOX [AGROLUX 50 E 2WD ->D10S453WX1E1001] - FOR TYPES WITH 4 SPEED 3 RANGE GEARBOX [AGROLUX 50 E 4WD ->D10S453WT1E1001]

2	0.016.4657.0	1	knob
3	0.012.8122.0	1	rod
4	0.010.1536.0	1	guard
5	0.010.1535.0	1	support
6	2.0350.255.3	3	screw m 3.5 x 16 -AB-
7	0.012.0936.2/30	1	fork
9	0.014.6291.0	1	bolt
10	2.1310.006.2	1	flat washer 10.5
11	2.1120.006.2	1	nut m 10 p.1.5
12	0.012.8179.4/10	1	lever
12.2	0.255.6453.0/10	1	bushing
12.4	2.1555.107.0	2	bushing 14x16x12
13	0.012.8176.2	1	rod
15	2.1011.406.2	1	nut m 10 p.1
19	2.1310.004.2	4	flat washer 8.5
20	2.1120.005.2	1	nut m 8 p.1.25
21	0.012.7591.2/10	1	guard
22	0.255.6452.0	1	ball
23	2.1630.615.0	1	roll pin 6x40
24	0.255.6465.0	1	cup
25	2.4019.309.1/10	1	spring 51x40x4
26	0.012.7593.0	1	support
27	0.255.6451.0/10	1	bellows
28	2.0112.209.2	3	screw m 8 p 1.25 x 25
29	2.1310.004.2	3	flat washer 8.5
30	2.1011.105.2	1	nut m 8 p.1.25
35	0.255.6454.0	2	pin seat
36	0.012.8177.3	1	bracket

I9_D1064_01_0-A-002

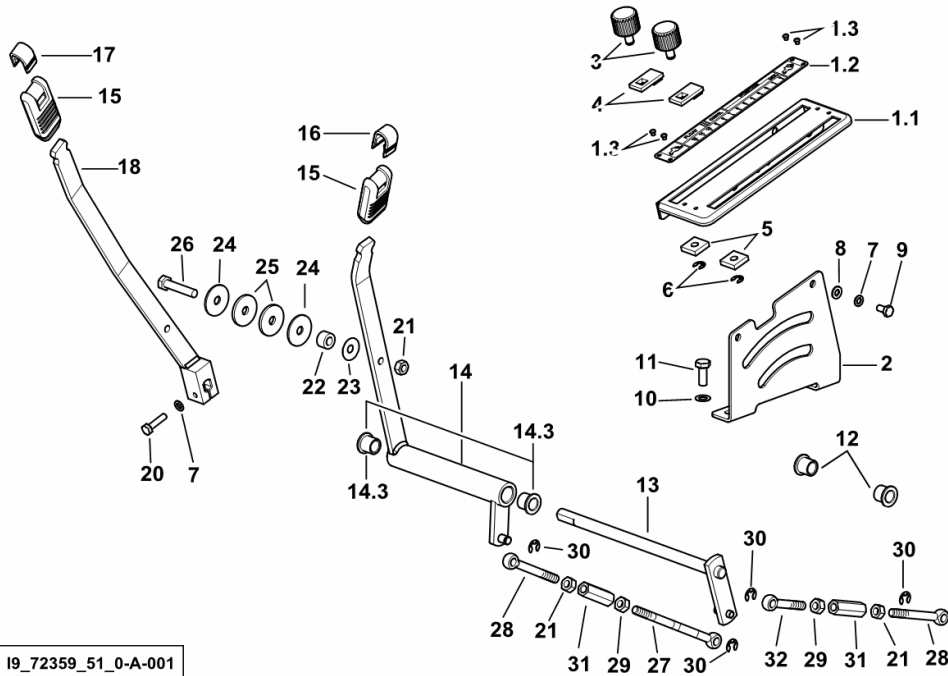


LIFT CONTROL LEVERS

Fig.	Code	QTY	Name
------	------	-----	------

Notes:

- FOR MODELS WITH 2 RANGES [AGROLUX 50 E 2WD ->D10S453WX1E1001] -> 1027 - FOR MODELS WITH 2 RANGES [AGROLUX 50 E 4WD ->D10S453WT1E1001]



1.1	0.012.0933.3	1	plate
1.2	0.010.1663.0	1	plate
1.3	2.1857.105.0	4	rivet 3.17x6.35
2	0.010.1589.0	1	sector
3	0.007.3086.2	2	knob
4	0.9107.668.0	2	stop
5	0.007.3085.0	2	controle panel
6	2.1430.007.7	2	circlip 6, d128
7	2.1470.002.2	5	washer 6, d128
8	2.1310.002.2	4	washer 6.6, d125
9	2.0112.003.2	4	screw m 6 p.1 x 12
10	2.1470.004.2	2	washer 8
11	2.0112.207.2	2	screw m 8 p 1.25 x 20
12	2.1559.243.0	2	bushing 12x16x15
13	0.010.5016.2	1	shaft
14	0.010.1593.3/10	1	lever
14.3	2.1559.243.0	2	bushing 12x16x15
15	0.009.0137.0	2	knob
16	0.008.8384.0	1	coupling
17	0.008.8384.0	1	coupling
18	0.012.0869.2/30	1	lever
20	2.0112.009.2	1	screw m 6 p.1 x 25
21	2.1011.105.2	4	nut m 8 p.1.25
22	2.1579.766.2	1	spacer 8.5x16x10
23	2.4099.053.7	4	spring 8.2 x 23 x 0.7
24	2.1599.245.0	4	snoulder 8.5 x 32 x 2.0
25	0.9030.672.0	4	ring 8.5 x 32 x 3.0
26	2.0112.215.2	2	screw m 8 p.1.25 x 40
27	0.010.1591.0/10	1	rod
28	0.012.7914.0	2	none
29	2.1019.127.2	2	nut m 8 p.1.25 x 6.8, sx/lh/li
30	2.1430.008.2	4	circlip 7
31	2.1099.139.2/10	2	nut m 8
32	0.016.2400.0	1	tip

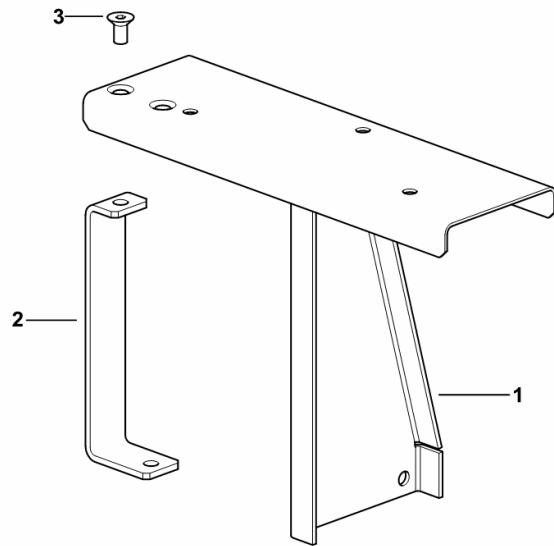
TOOLBOX SUPPORT

Fig.	Code	QTY	Name
------	------	-----	------

Notes:

[AGROLUX 50 E 2WD ->D10S453WX1E1001] [AGROLUX 50 E 4WD ->D10S453WT1E1001]

1	0.015.8054.3	1	support
2	0.015.8081.3	1	support
3	2.0342.303.6	1	screw m 8 p. 1.25x16



19_J1273_30_0-A-001

AGROLUX 50 E ->D10S453WT1E1001

L0 - ELECTRIC AL SYSTEM

BATTERY - ALTERNATOR

BATTERY 12V 64Ah 410A.....	L0.01.0 (1)
ALTERNATOR.....	L0.01.3 (1)
ALTERNATOR.....	L0.01.4 (1)
ALTERNATOR 14V - 65A.....	L0.01.5 (1)
ALTERNATOR AND BELT TENSIONER SUPPORT.....	L0.01.7 (1)
ALTERNATOR PULLEY.....	L0.01.9 (1)
ALTERNATOR PARTS.....	2.9439.420.0/10.A

WIRING LOOMS

HEADLIGHTS / HORN WIRING.....	L0.02.2 (1)
HEADLIGHTS / HORN WIRING.....	L0.02.3 (1)
ELECTRICAL EQUIPMENT FRONT.....	L0.02.4 (1)
WIRING AND RELAY FOR FRONT WORK LIGHTS.....	L0.02.9 (1)
CENTRAL WIRING.....	L0.02.13 (1)
CENTRAL WIRING LOOM.....	L0.02.14 (1)
ELECTRICAL EQUIPMENT REAR.....	L0.02.18 (1)
ELECTRICAL EQUIPMENT REAR.....	L0.02.18 (2)
PREARRANGEMENT FOR WARNING BEACON.....	L0.02.19 (1)
PREARRANGEMENT FOR WARNING BEACON.....	L0.02.20 (1)
REAR LIGHTS ELECTRICAL SYSTEM - SINGLE POLE SOCKET.....	L0.02.21 (1)
REAR LIGHTS ELECTRICAL SYSTEM - SINGLE POLE SOCKET.....	L0.02.21 (2)
REAR LIGHTS ELECTRICAL SYSTEM.....	L0.02.22 (1)
TRAILER SOCKET BRACKET.....	L0.02.26 (1)
TRAILER SOCKET BRACKET.....	L0.02.26 (2)
TRAILER SOCKET-OUTLET.....	L0.02.27 (1)
ELETRICAL EQIPMENT FOR 2 - SPEED P.T.O.....	L0.02.28 (1)
FLASHING LIGHT SUPPORT.....	0.011.7840.4.A
CENTRAL WIRING LOOM.....	0.015.3646.4/20.A
ELECTRICAL SYSTEM.....	0.015.3649.4/10.A

SENSORS - POTENTIOMETERS - ENABLING SWITCHES

COOLING SYSTEM MANIFOLD SENSOR.....	L0.04.0 (1)
COOLING SYSTEM MANIFOLD SENSOR.....	L0.04.1 (1)
START ENABLE SWITCH.....	L0.04.5 (1)
START ENABLE SWITCH.....	L0.04.6 (1)
START ENABLE SWITCH.....	L0.04.7 (1)
PTO CONTROL SWITCH.....	L0.04.9 (1)
PTO CONTROL SWITCH.....	L0.04.10 (1)
PTO CLUTCH SENSOR.....	L0.04.11 (1)
PRESSURE SWITCH FOR BRAKE LIGHTS.....	L0.04.13 (1)
FISSAGGIO PROTEZIONE PRESSOSTATO PER LUCI STOP.....	L0.04.13 (2)
PRESSURE SWITCH FOR BRAKE LIGHTS.....	L0.04.14 (1)

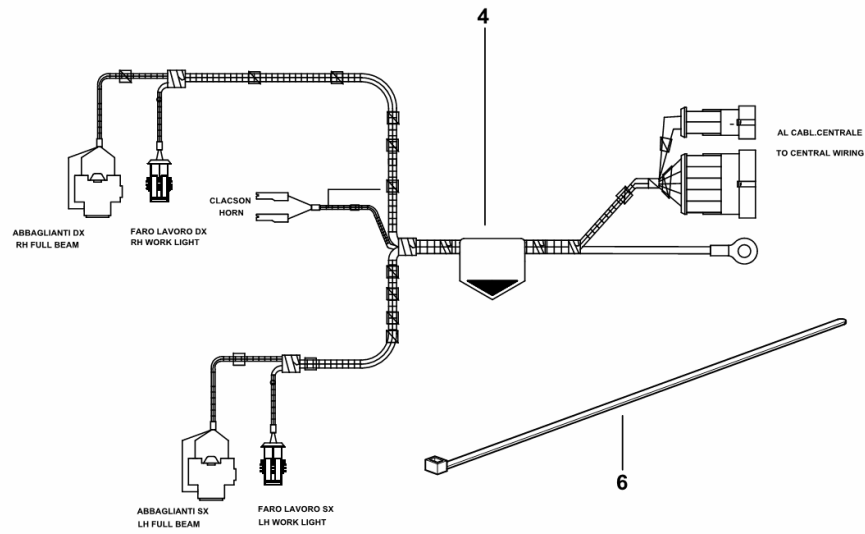
HEADLIGHTS / HORN WIRING

Fig.	Code	QTY	Name
------	------	-----	------

Notes:

- FOR RIGHT-HAND DRIVE [AGROLUX 50 E 2WD ->D10S453WX1E1001] - FOR RIGHT-HAND DRIVE [AGROLUX 50 E 4WD ->D10S453WT1E1001]

4	0.015.3651.4	1	electrical system
6	2.6852.203.0	14	clamp 292 x 4.8



19_I2985_01_0-A-001

REAR LIGHTS ELECTRICAL SYSTEM - SINGLE POLE SOCKET

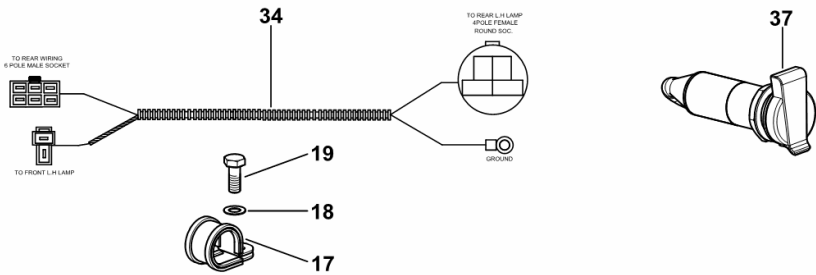
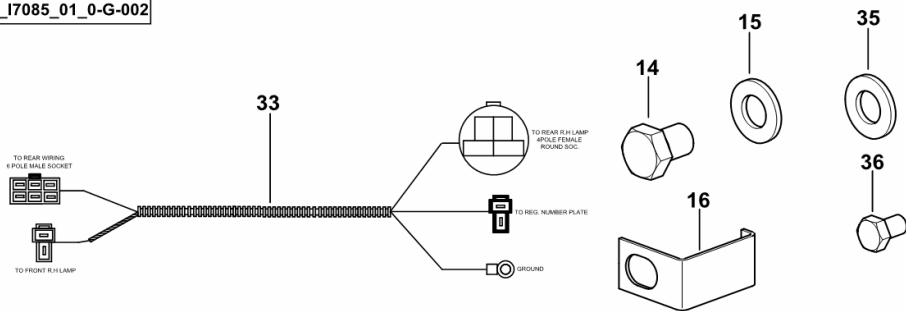
Fig.	Code	QTY	Name
------	------	-----	------

Notes:

[AGROLUX 50 E 2WD ->D10S453WX1E1001] -> 1027 [AGROLUX 50 E 4WD ->D10S453WT1E1001]

14	2.0112.607.2	2	screw m 16 p.2x20
15	2.1310.010.2	2	flat washer 16
16	0.010.6074.0	1	bracket
17	2.6859.065.2	1	clamp Ø 18
18	2.1310.006.2	1	flat washer 10.5
19	2.0112.305.2	1	screw m 10 p.1.5 x 16
33	0.012.8134.0	1	wire dx/rh/re
34	0.012.8133.0	1	wire sx/lh/li
35	2.1475.006.7	1	washer 17x32
36	2.0112.305.2	2	screw m 10 p.1.5 x 16
37	0.008.1550.0	1	socket

19_I7085_01_0-G-002



AGROLUX 50 E ->D10S453WT1E1001

Section: L0 - ELECTRIC AL SYSTEM

Ref.: L0.04.1 (1)

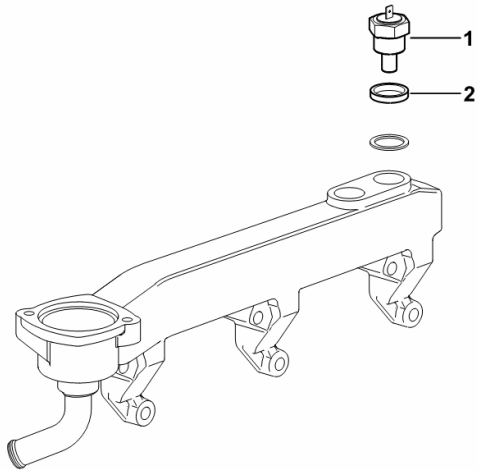
COOLING SYSTEM MANIFOLD SENSOR

Fig.	Code	QTY	Name
------	------	-----	------

Notes:

[AGROLUX 50 E 2WD ->D10S453WX1E1001] 1241 <- [AGROLUX 50 E 4WD ->D10S453WT1E1001] 1241 <-

1	2.7099.100.0/10	1	sensor
2	2.1569.167.0	1	gasket 22.2x27x4.5



I9_O2917_03_0-A-001

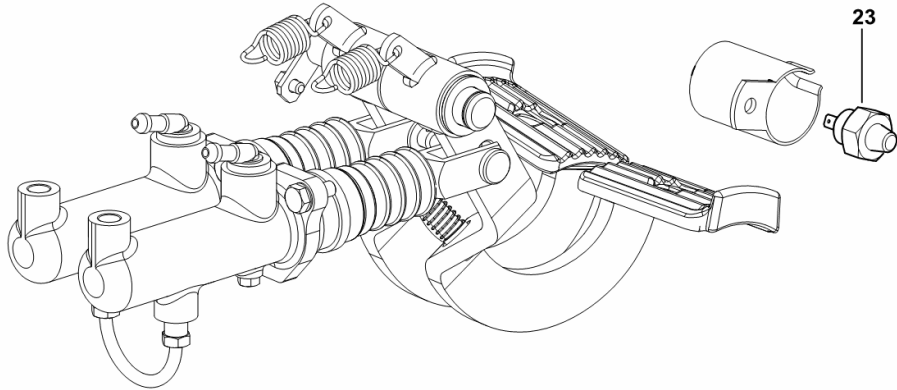
PRESSURE SWITCH FOR BRAKE LIGHTS

Fig.	Code	QTY	Name
------	------	-----	------

Notes:

[AGROLUX 50 E 2WD ->D10S453WX1E1001] -> 1027 [AGROLUX 50 E 4WD ->D10S453WT1E1001]

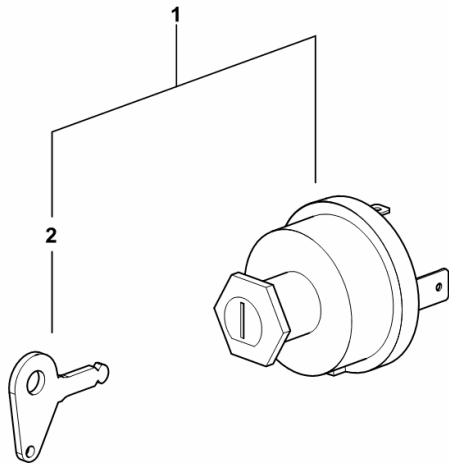
23	2.7099.490.0/10	1	switch 5 BAR
----	-----------------	---	--------------



19_L1184_00_0-D-001

IGNITION BLOCK

Fig.	Code	QTY	Name
1	2.7659.147.0/10	1	switch
2	0.900.1403.2	1	ignition key



2_7659_147_0-10

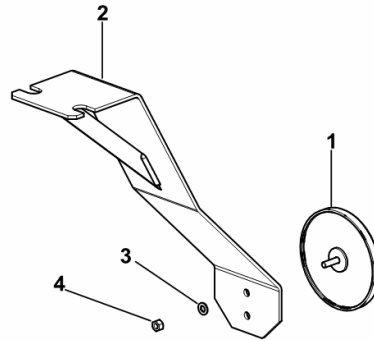
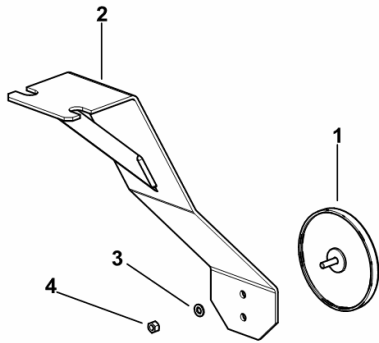
TOP REFLECTORS

Fig.	Code	QTY	Name
------	------	-----	------

Notes:

[AGROLUX 50 E 2WD ->D10S453WX1E1001] [AGROLUX 50 E 4WD ->D10S453WT1E1001]

1	2.8349.002.2/30	2	reflector Ø 86 mm
2	0.015.9726.2	2	bracket
3	2.1470.001.2	2	lock washer 5
4	2.1011.102.2	2	nut m 5 p.0.7



I9_J1285_07_0-A-001

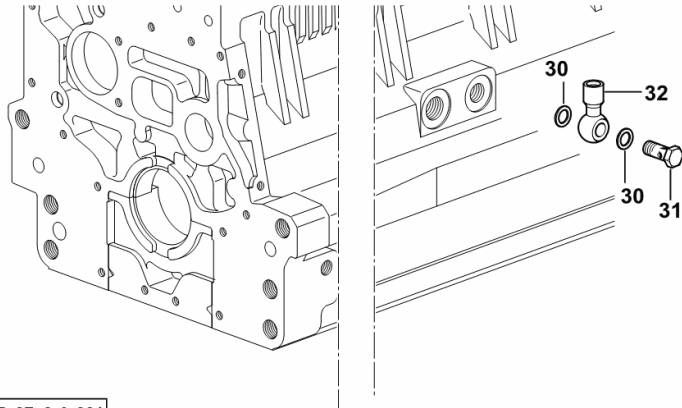
FITTING FOR ENGINE OIL PRESSURE SWITCH

Fig.	Code	QTY	Name
------	------	-----	------

Notes:

[AGROLUX 50 E 2WD ->D10S453WX1E1001] [AGROLUX 50 E 4WD ->D10S453WT1E1001]

30	2.1560.008.0	2	gasket 12.2 x 18
31	2.3339.448.2	1	pipe union m 12 p.1.75
32	2.3249.014.2	1	pipe fitting m 12 p.1.5



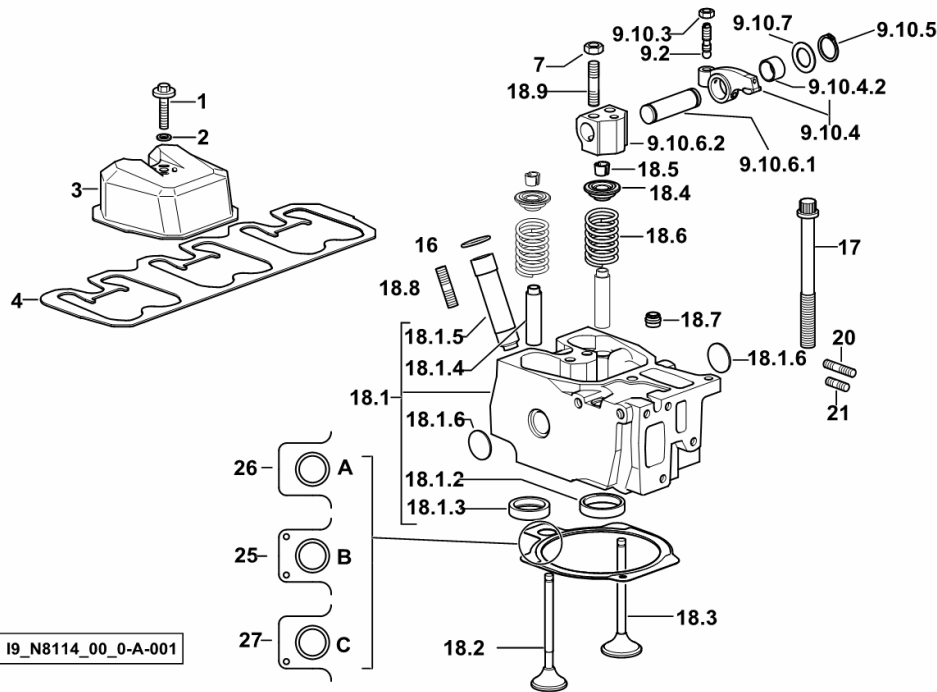
19_36215_07_0-A-001

Section: B0 - ENGINE
CYLINDER HEAD

Fig.	Code	QTY	Name
------	------	-----	------

Notes:

[AGROLUX 50 E 2WD ->D10S453WX1E1001] [AGROLUX 50 E 4WD ->D10S453WT1E1001]



19_N8114_00_0-A-001

1	2.0399.130.2/10	3	screw m 8x36x44
2	2.1569.170.0/10	3	gasket 8.2 x 14
3	0.016.0291.0	3	small cap
4	0.069.1450.0/30	1	gasket
7	2.1011.421.2	6	nut m 10 p.1.25
9.2	0.021.1434.0	2	screw m 8 p.1 x 8
9.10.3	2.1011.405.2	2	nut m 8 p.1
9.10.4	0.066.1432.3	2	rocker
9.10.4.2	2.1559.021.0/40	1	bushing 19x22x14
9.10.5	2.1410.055.7	2	circlip 19
9.10.6.1	0.066.1431.0	1	pin
9.10.6.2	0.066.1430.0/10	1	support
9.10.7	2.1599.432.0	2	snoulder 19.5x31x1.5
16	2.1530.051.0	3	'o' ring 20.22x3.53
17	0.012.2673.0	12	screw m 14 p.2x141
18.1	0.014.8945.3/10	1	head
18.1.2	0.014.8942.0	1	valve seat mm 45.118
18.1.3	0.014.8941.0	1	valve seat mm 40.653
18.1.4	0.007.1779.0/20	2	valve guide
18.1.5	0.010.6041.0/10	1	sleeve
18.1.6	2.3170.012.2	2	expansion plug Ø 30
18.2	0.066.1421.0	1	exhaust valve mm 39.1 / Ø mm 9
18.3	0.010.6016.0	1	inlet valve mm 43.63 / Ø mm 9
18.4	0.066.1425.0	2	cup
18.5	0.074.1423.0	4	conical valve cotter
18.6	2.4019.287.0	2	spring 35.5x53.6x3.9
18.7	2.1519.117.0	2	'o' ring
18.8	2.0432.161.7	1	stud bolt m 10 p.1.5 / p.1.25 x 40
18.9	2.0432.163.7	2	stud bolt m 10 p.1.5 / p.1.25 x 45
20	2.0432.011.7	3	stud bolt m 8 p.1.25 / p.1 x 40
21	2.0432.005.7	3	stud bolt m 8 p.1.25 / p.1 x 25
25	0.014.5260.0/10	0.5	gasket - A - mm 1.4
26	0.014.5259.0/10	2	gasket - B - mm 1.2
27	0.014.5261.0/10	0.5	gasket - C - mm 1.6

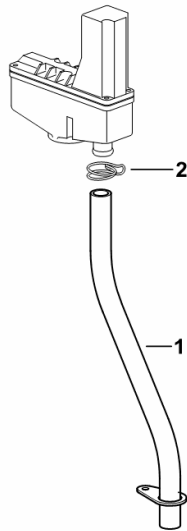
SEDIMENTER BOWL BREATHER PIPE

Fig.	Code	QTY	Name
------	------	-----	------

Notes:

[AGROLUX 50 E 2WD ->D10S453WX1E1001] [AGROLUX 50 E 4WD ->D10S453WT1E1001]

1	0.066.1559.0	1	tube
2	2.6859.073.2	1	clamp



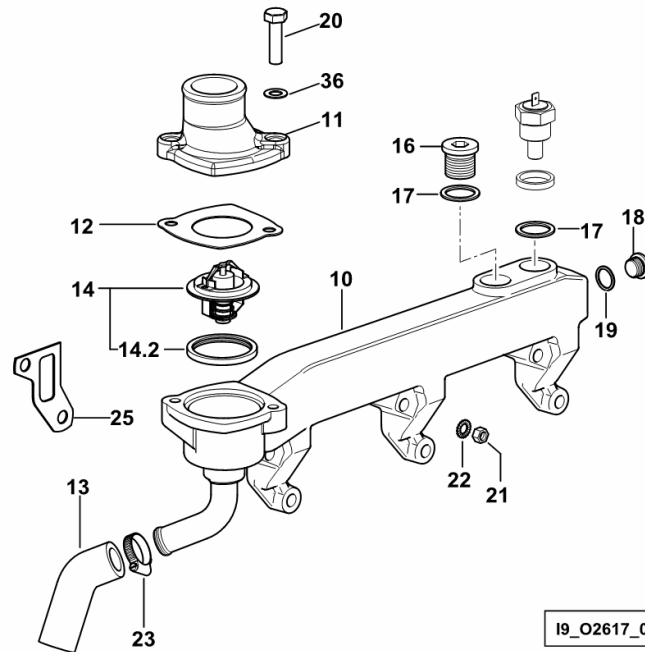
I9_I7019_10_0-A-001

CYLINDER HEAD WATER OUTLET MANIFOLD

Fig.	Code	QTY	Name
------	------	-----	------

Notes:

[AGROLUX 50 E 2WD ->D10S453WX1E1001] [AGROLUX 50 E 4WD ->D10S453WT1E1001]



10	0.070.1745.3/40	1	manifold
11	0.007.1421.0	1	cover
12	0.066.1757.0/40	1	gasket
13	0.066.1758.0/10	1	sleeve
14	0.007.1258.3/20	1	thermostat
14.2	0.007.1258.0	1	gasket
16	2.3120.002.4	1	plug m 22 x 1.5
17	2.1560.018.0	2	gasket 22.2 x 29
18	2.3199.001.2	1	plug 1/2" gas
19	2.1560.054.0	1	gasket 21 x 26
20	2.0312.208.2	2	screw m 8 p.1.25 x 25
21	2.1011.405.2	10	nut m 8 p.1
22	2.1310.004.2	6	flat washer 8.5
23	2.6890.007.2	2	clamp
25	0.066.1759.0/40	3	gasket
36	2.1480.014.1	2	washer 8

AGROLUX 50 E ->D10S453WT1E1001

Section: C0 - ENGINE ACCESSORIES

Ref.: C0.01.8 (1)

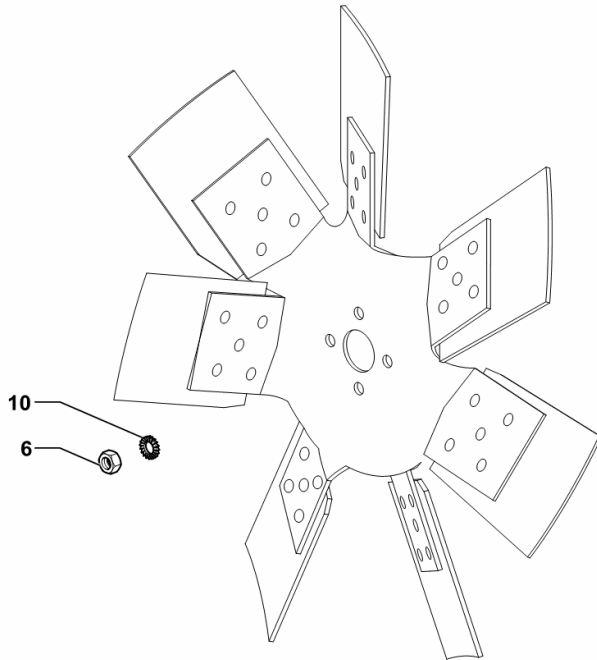
BLOWER

Fig.	Code	QTY	Name
------	------	-----	------

Notes:

[AGROLUX 50 E 2WD ->D10S453WX1E1001] [AGROLUX 50 E 4WD ->D10S453WT1E1001]

6	2.1011.305.2	4	nut m 8 p.1 x 8
10	2.1470.004.2	4	washer 8



19_O2819_10_0-A-001

AGROLUX 50 E ->D10S453WT1E1001

Section: C0 - ENGINE ACCESSORIES

Ref.: C0.03.6 (1)

GUARD

Fig.	Code	QTY	Name
------	------	-----	------

Notes:

[AGROLUX 50 E 2WD ->D10S453WX1E1001] [AGROLUX 50 E 4WD ->D10S453WT1E1001]

1	0.016.0286.0	1	gasket
---	--------------	---	--------

I9_J1274_10_0-A-001



CLICK HERE TO **DOWNLOAD** THE COMPLETE MANUAL

- Thank you very much for reading the preview of the manual.
- You can download the complete manual from: www.heydownloads.com by clicking the link below



- Please note: If there is no response to CLICKING the link, please download this PDF first and then click on it.

CLICK HERE TO **DOWNLOAD** THE COMPLETE MANUAL

AGROLUX 50 E ->D10S453WT1E1001

Section: C0 - ENGINE ACCESSORIES

Ref.: C0.05.1 (1)

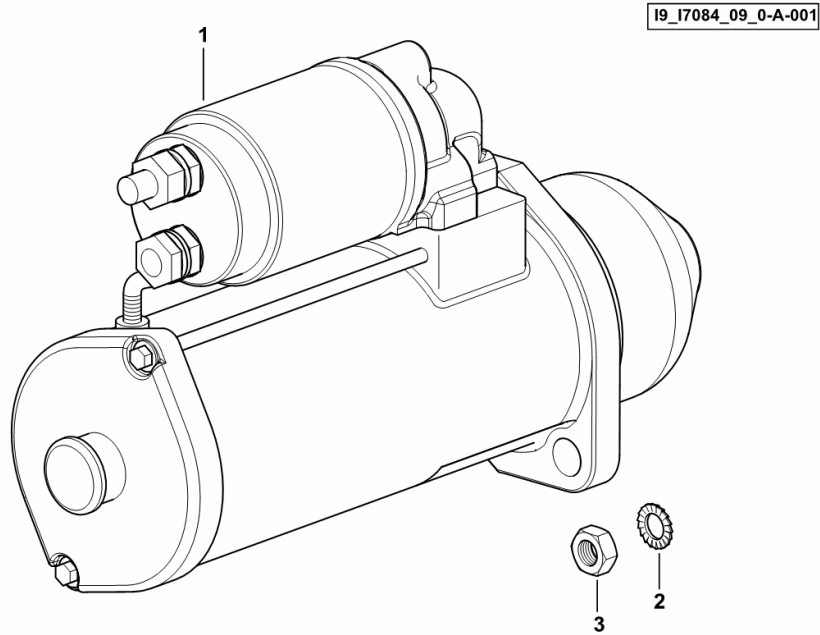
STARTER

Fig.	Code	QTY	Name
------	------	-----	------

Notes:

[AGROLUX 50 E 2WD ->D10S453WX1E1001] 1009 <- [AGROLUX 50 E 4WD ->D10S453WT1E1001] 1009 <-
[AGROLUX 50 E 4WD ->D10S453WT1E1001]

1	2.9619.550.0	1	starter motor 12V - 2.2KW - Z = 11
2	2.1470.007.2	2	lock washer 12
3	2.1011.422.2	2	nut m 12 p.1.25



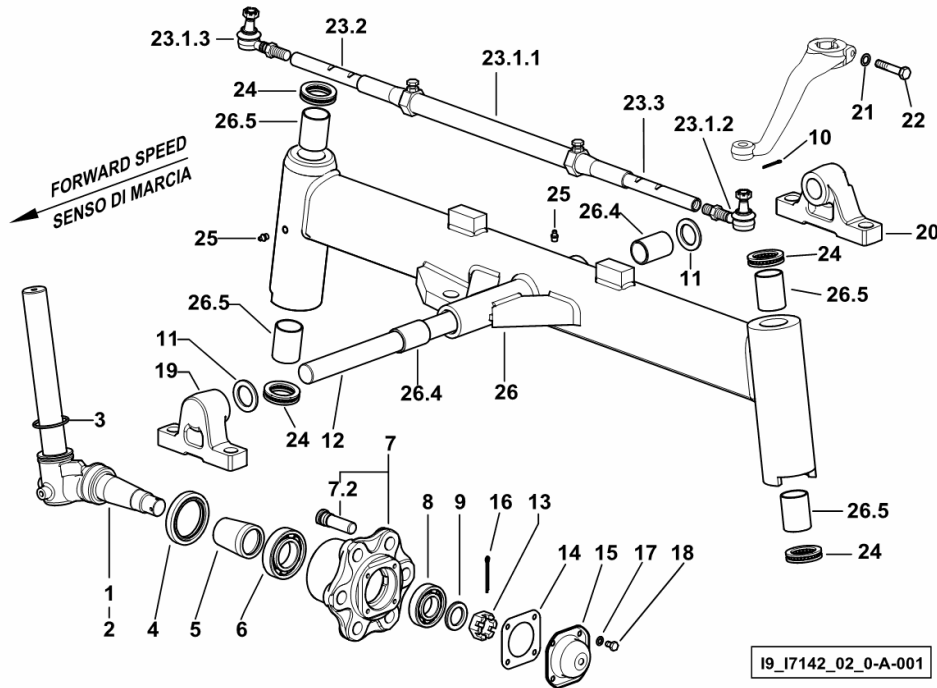
2WD - AXLE

Fig.	Code	QTY	Name
------	------	-----	------

Notes:

- FOR TYPES WITH POWER STEERING [AGROLUX 50 E 2WD ->D10S453WX1E1001]

1	0.014.8117.3/10	1	wheel spindle dx/rh/re
2	0.014.8063.3/10	1	wheel spindle sx/lh/li
3	2.1530.134.0	2	'o' ring 53.98x3.53
4	2.1529.024.0	2	'o' ring 65x90x13
5	0.154.4257.0	2	spacer
6	2.2045.013.0	2	bearing 45 x 85 x 19
7	0.154.4224.3/30	2	wheel hub
7.2	0.148.4737.0/20	6	small column m 20x68
8	2.2045.011.0	2	ball bearing 35 x 72 x 17
9	2.1599.094.0	2	snoulder 32x48x5
10	2.1690.312.2	2	split pin 3.2x30
11	2.1599.062.0	2	snoulder 36x54x4
12	0.007.5384.0	1	pin
13	2.1029.001.1	2	nut m 30 p.1.5
14	0.001.2921.0	2	gasket
15	0.001.2920.0	2	small cover
16	2.1690.516.2	2	split pin 5x50
17	2.1470.004.2	8	washer 8
18	2.0112.204.2	8	screw m 8 p.1.25x14
19	0.467.5232.0	1	support
20	0.467.5233.0/20	1	support
21	2.1470.007.2	2	lock washer 12
22	2.0112.421.2	2	screw m 12 p.1.75 x 60
23.1.1	0.012.7670.0	1	rod
23.1.2	0.012.7671.4	1	joint sx/lh/li
23.1.3	0.012.7672.4	1	joint dx/rh/re
23.2	0.012.7667.0	1	rod dx/rh/re
23.3	0.012.7666.0	1	rod sx/lh/li
24	2.2610.009.0	2	thrust bearing 40x60x13
25	2.3820.105.2	3	lubricator m 10 p.1 x 7
26	0.015.7191.3/30	1	complete axle
26.4	2.1559.078.0	2	bushing 35x41x60
26.5	2.1559.077.0	4	bushing 40 x 46 x 60



2WD - STEERING LEVERS

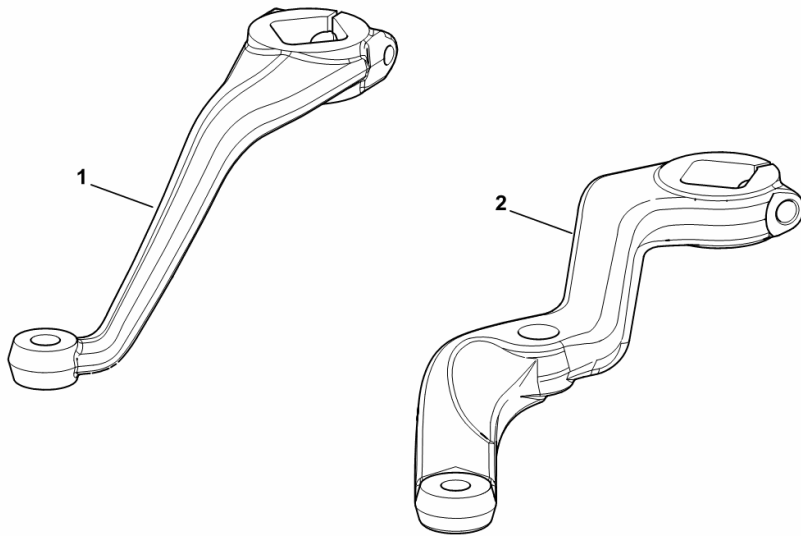
Fig.	Code	QTY	Name
------	------	-----	------

Notes:

[AGROLUX 50 E 2WD ->D10S453WX1E1001]

1	0.014.7999.0	1	lever dx/rh/re
2	0.014.8016.0	1	lever sx/lh/li

19_S4442_09_0-A-001



AGROLUX 50 E ->D10S453WT1E1001

Section: F0 - FRONT AXLE

Ref.: F0.04.1 (1)

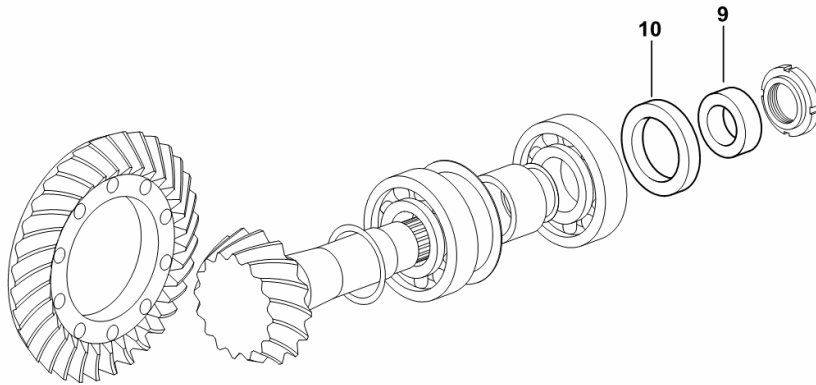
4WD - FRONT DIFFERENTIAL LOCK - WATER PROOF SEALING

Fig.	Code	QTY	Name
------	------	-----	------

Notes:

[AGROLUX 50 E 4WD ->D10S453WT1E1001]

9	2.1549.211.0	1	spacer 35x56x19
10	2.1529.113.0	1	'o' ring 56x80x13



9_58946_07_0-A-001

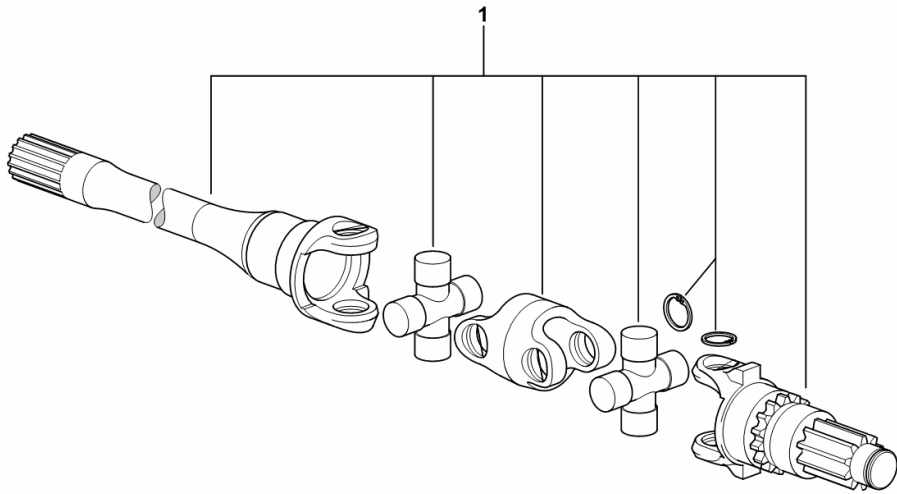
4WD - AXLESHAFTS

Fig.	Code	QTY	Name
------	------	-----	------

Notes:

- FOR TYPES WITH FRONT BRAKES [AGROLUX 50 E 4WD ->D10S453WT1E1001]

1	0.009.6694.4/30	2	joint ☞ 0.009.6694.4/30
---	-----------------	---	----------------------------



9_58946_01_0-A-001

AGROLUX 50 E ->D10S453WT1E1001

Section: H0 - HYDRAULIC AND PNEUMATIC SYSTEM|

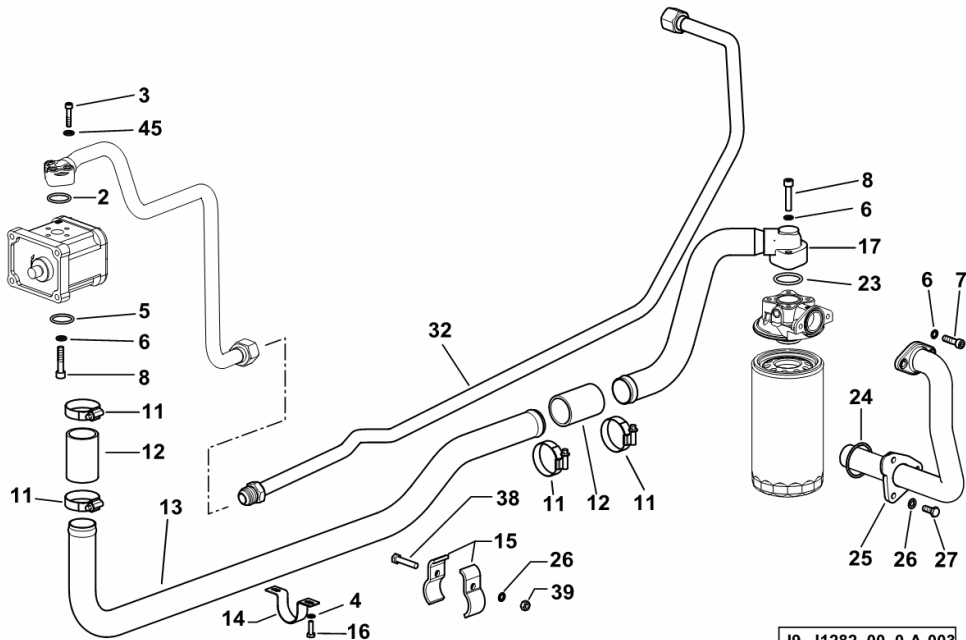
Ref.: H0.01.1 (3)

HYDRAULIC SYSTEM

Fig.	Code	QTY	Name
------	------	-----	------

Notes:

- WITH 2 AND 4 WAY REAR CONTROL VALVE [AGROLUX 50 E 2WD ->D10S453WX1E1001] -> 1456 - WITH 2 AND 4 WAY REAR CONTROL VALVE [AGROLUX 50 E 4WD ->D10S453WT1E1001]



19_J1282_00_0-A-003

2	2.1539.233.0	1	'o' ring
3	2.0312.110.2	3	screw m 6 p.1x30
4	2.1470.002.2	2	washer 6, d128
5	2.1539.234.0	1	'o' ring
6	2.1480.014.1	7	washer 8
7	2.0312.210.2	2	screw m 8 p 1.25 x 30
8	2.0312.214.2	5	screw m 8 p.1.25 x 40
11	2.6859.130.2	4	clamp Ø 38/50
12	2.3213.240.0	2	sleeve
13	0.010.1935.0	1	tube
14	0.012.0905.0	1	bracket
15	0.9087.260.0	2	terminal
16	2.0112.007.2	2	screw m 6 p.1 x 20
17	0.012.8046.2	1	tube
23	2.1530.091.0	2	'o' ring 34.60 x 2.62
24	2.1530.120.0	1	'o' ring 47.30x2.62
25	0.012.7545.3	1	tube
26	2.1470.004.2	5	washer 8
27	2.0112.207.2	3	screw m 8 p 1.25 x 20
32	0.016.3895.3	1	tube
38	2.0112.215.2	2	screw m 8 p.1.25 x 40
39	2.1011.105.2	2	nut m 8 p.1.25
45	2.1480.012.2	3	washer 6, d128

AGROLUX 50 E ->D10S453WT1E1001

Section: H0 - HYDRAULIC AND PNEUMATIC SYSTEM|

Ref.: H0.01.17 (1)

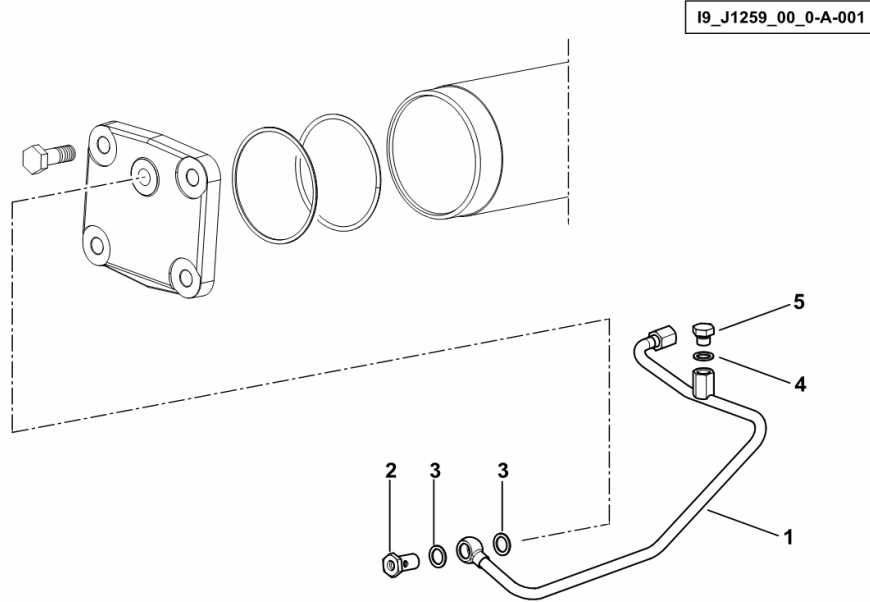
HOSE FROM REAR LIFT CYLINDER TO REAR CONTROL VALVE

Fig.	Code	QTY	Name
------	------	-----	------

Notes:

[AGROLUX 50 E 2WD ->D10S453WX1E1001] [AGROLUX 50 E 4WD ->D10S453WT1E1001]

1	0.009.3193.3/30	1	tube
2	2.3335.006.2	1	pipe union m 14 p.1.5x24
3	2.1560.010.0	2	gasket 14.2 x 20 x 1.5
4	2.1560.007.0	1	gasket 12.2x16
5	2.3110.402.1	1	plug m 12 p.1.5x10



AGROLUX 50 E ->D10S453WT1E1001

Section: H0 - HYDRAULIC AND PNEUMATIC SYSTEM|

Ref.: H0.01.24 (1)

SUPPLY LINE TO REMOTE CONTROL VALVE

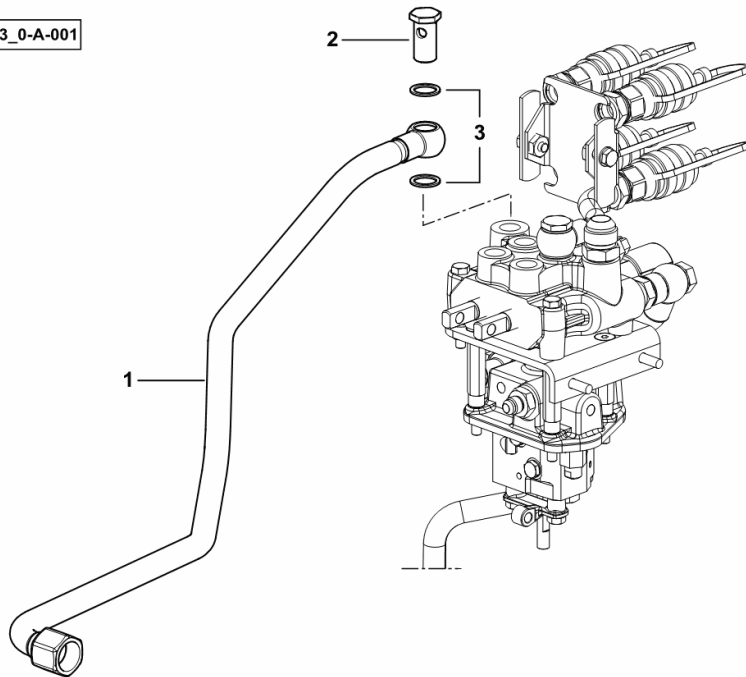
Fig.	Code	QTY	Name
------	------	-----	------

Notes:

- FOR TYPES WITH 4 WAY REAR CONTROL VALVE [AGROLUX 50 E 2WD ->D10S453WX1E1001] - FOR TYPES WITH 4 WAY REAR CONTROL VALVE [AGROLUX 50 E 4WD ->D10S453WT1E1001]

1	0.015.6147.3/10	1	tube
2	2.3339.295.2/10	1	pipe union m 18 p.1.5 x 35
3	2.1560.014.0	2	gasket 18.2 x 24 x 1.5

I9_S4082_43_0-A-001



AGROLUX 50 E ->D10S453WT1E1001

Section: H0 - HYDRAULIC AND PNEUMATIC SYSTEM|

Ref.: H0.01.41 (2)

BRAKES LUBRICATION PIPE

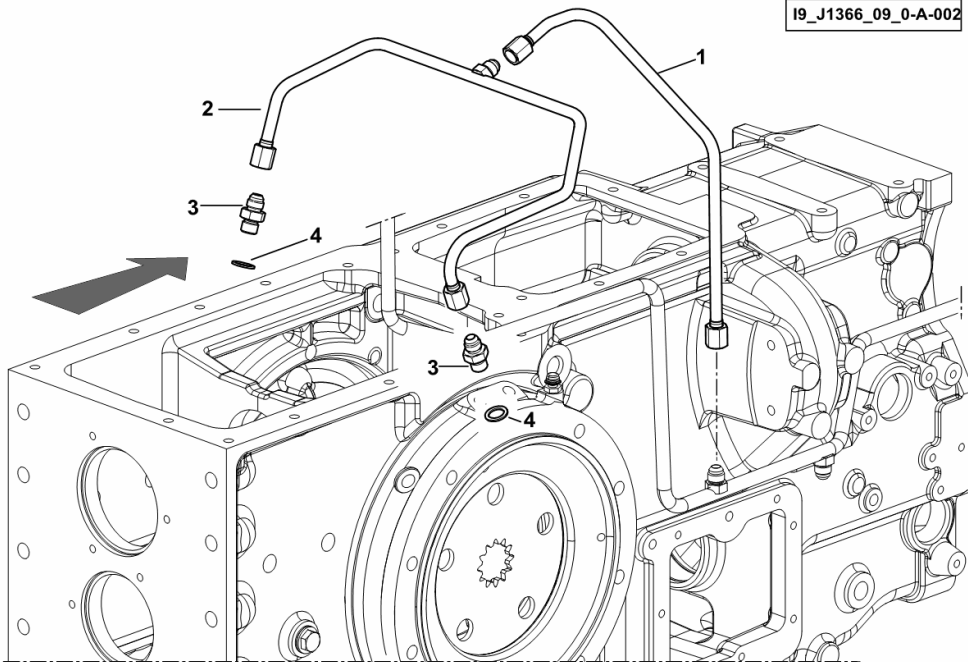
Fig.	Code	QTY	Name
------	------	-----	------

Notes:

- FOR TYPES WITH 1 AND 2 BRAKE DISK HEAVY DUTY REAR AXLE [AGROLUX 50 E 2WD ->D10S453WX1E1001]
- > 1038 - FOR TYPES WITH 1 AND 2 BRAKE DISK HEAVY DUTY REAR AXLE [AGROLUX 50 E 4WD ->D10S453WT1E1001]

1	0.016.3279.3	1	tube
2	0.016.3280.3/10	1	tube
3	2.3261.006.2	2	pipe fitting m 14 p.1.5-9/16"
4	2.1560.010.0	2	gasket 14.2 x 20 x 1.5

19_J1366_09_0-A-002



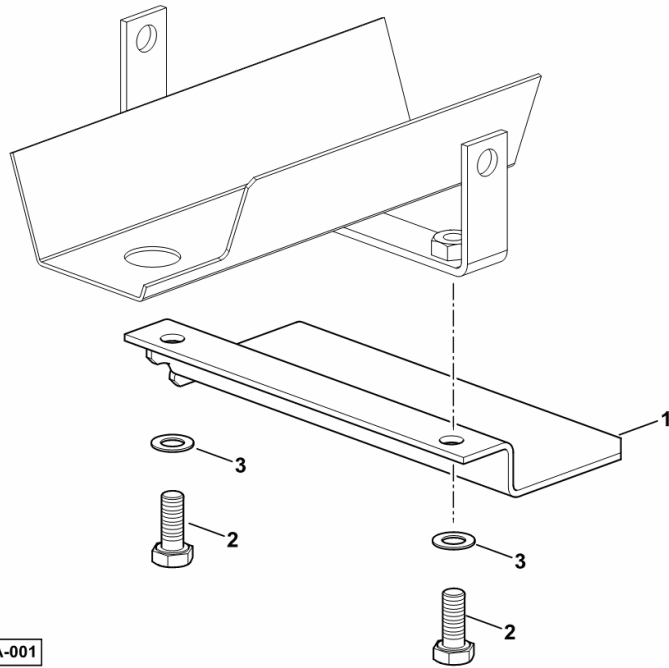
GUARD PLATE

Fig.	Code	QTY	Name
------	------	-----	------

Notes:

- 4WD [AGROLUX 50 E 4WD ->D10S453WT1E1001]

1	0.016.5327.0	1	bracket
2	2.0112.207.2	2	screw m 8 p 1.25 x 20
3	2.1470.004.2	2	washer 8



I9_J1263_01_0-A-001

AGROLUX 50 E ->D10S453WT1E1001

Section: H0 - HYDRAULIC AND PNEUMATIC SYSTEM|

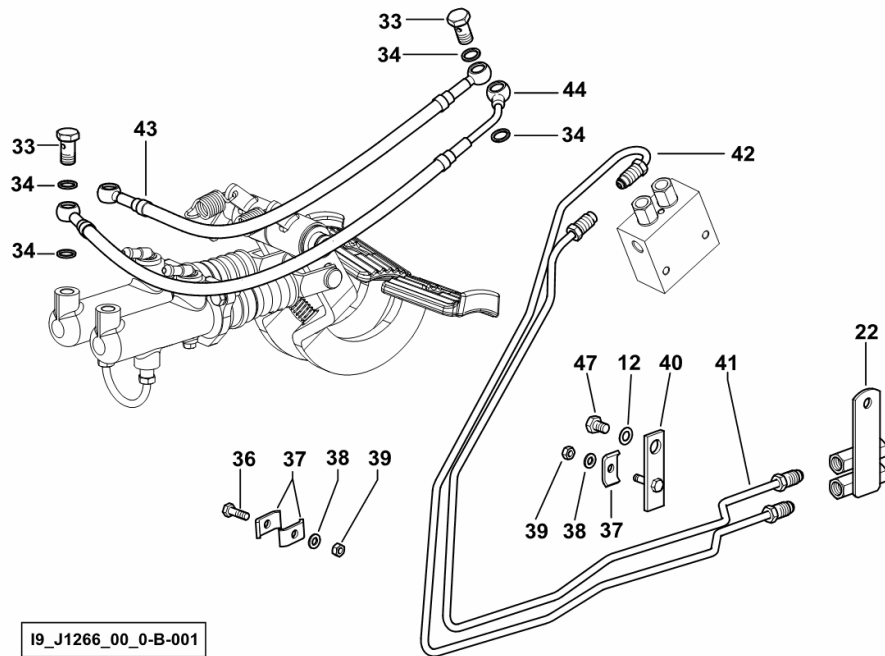
Ref.: H0.09.0 (1)

BRAKING SYSTEM

Fig.	Code	QTY	Name
------	------	-----	------

Notes:

[AGROLUX 50 E 2WD ->D10S453WX1E1001] 1009 <- [AGROLUX 50 E 4WD ->D10S453WT1E1001] 1009 <-



12	2.1470.004.2	5	washer 8
22	0.010.4197.3/10	1	bracket
33	2.3332.003.2	4	pipe union m 12 p.1.25 x 23
34	2.1560.007.0	8	gasket 12.2x16
36	2.0112.007.2	1	screw m 6 p.1 x 20
37	0.200.8152.0	3	small plate
38	2.1310.002.2	2	washer 6.6, d125
39	2.1011.103.2	4	nut m 6 p.1
40	0.226.6658.2	1	small plate
41	0.015.6361.3	1	tube sx/lh/li
42	0.015.6360.3	1	tube dx/rh/re
43	0.015.6357.3	1	tube sx/lh/li
44	0.015.6356.3/10	1	tube dx/rh/re
47	2.0112.203.2	1	screw m 8 p.1.25 x 12

19_J1266_00_0-B-001

AGROLUX 50 E ->D10S453WT1E1001

E0 - REAR AXLE

REAR AXLE

REAR AXLE.....	E0.01.0 (2)
REAR AXLE.....	E0.01.1 (1)
PARTS SET FOR REAR AXLE - WATERPROOF SEAL.....	E0.01.2 (1)
PARTS SET FOR REAR AXLE - WATERPROOF SEAL.....	E0.01.3 (1)

REAR DIFFERENTIAL / HALF-SHAFTS

DIFFERENTIAL.....	E0.02.0 (1)
DIFFERENTIAL.....	E0.02.0 (2)
DIFFERENTIAL.....	E0.02.0 (3)
DIFFERENTIAL.....	E0.02.1 (1)
DIFFERENTIAL.....	E0.02.2 (1)
DIFFERENTIAL LOCK CONTROL.....	E0.02.3 (1)
DIFFERENTIAL LOCK CONTROL.....	E0.02.4 (1)
REAR REDUCTION GEARS AND AXLE SHAFTS.....	E0.02.5 (1)
REAR REDUCTION GEARS AND AXLE SHAFTS.....	E0.02.6 (1)
REAR REDUCTION GEARS AND AXLE SHAFTS.....	E0.02.7 (1)

REAR BRAKES

REAR BRAKES.....	E0.03.0 (1)
REAR BRAKES.....	E0.03.0 (2)
REAR BRAKES.....	E0.03.1 (1)
REAR BRAKES.....	E0.03.2 (1)
REAR BRAKES.....	E0.03.2 (2)
REAR BRAKES.....	E0.03.3 (1)
REAR BRAKES.....	E0.03.3 (2)

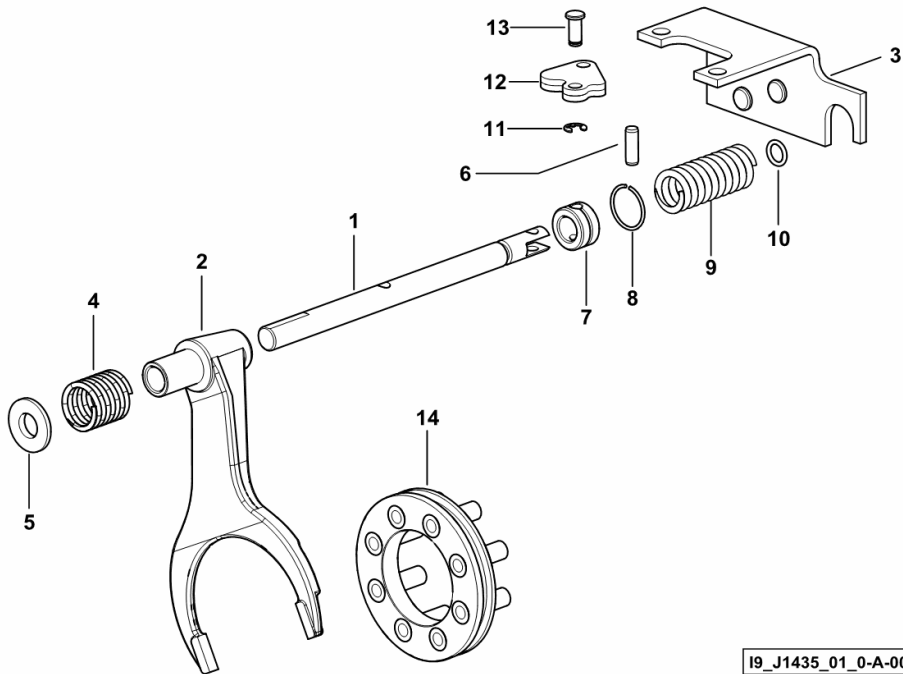
DIFFERENTIAL LOCK CONTROL

Fig.	Code	QTY	Name
------	------	-----	------

Notes:

- 2WD - FOR TYPES WITH 1 AND 2 BRAKE DISK HEAVY DUTY REAR AXLE [AGROLUX 50 E 2WD ->D10S453WX1E1001] - 2WD - FOR TYPES WITH 1 AND 2 BRAKE DISK HEAVY DUTY REAR AXLE [AGROLUX 50 E 4WD ->D10S453WT1E1001]

1	0.010.1279.0	1	rod
2	0.008.5169.0/10	1	fork
3	0.016.7643.3/10	1	bracket
4	2.4019.339.1	1	spring 32x56.5x3.5
5	2.1549.119.0/10	1	spacer
6	2.1651.711.0	1	pin 8 x 14
7	0.008.5281.0	1	stop
8	2.1420.011.1	1	circlip Ø 28
9	2.4019.225.1	1	spring 28 x 79 x 4.5
10	2.1530.028.0	1	'o' ring 11.91 x 2.62
11	2.1430.008.7	1	circlip 7
12	0.178.6813.2	1	transmission
13	2.1699.443.2	1	pin
14	0.255.3527.3/20	1	sleeve



19_J1435_01_0-A-001

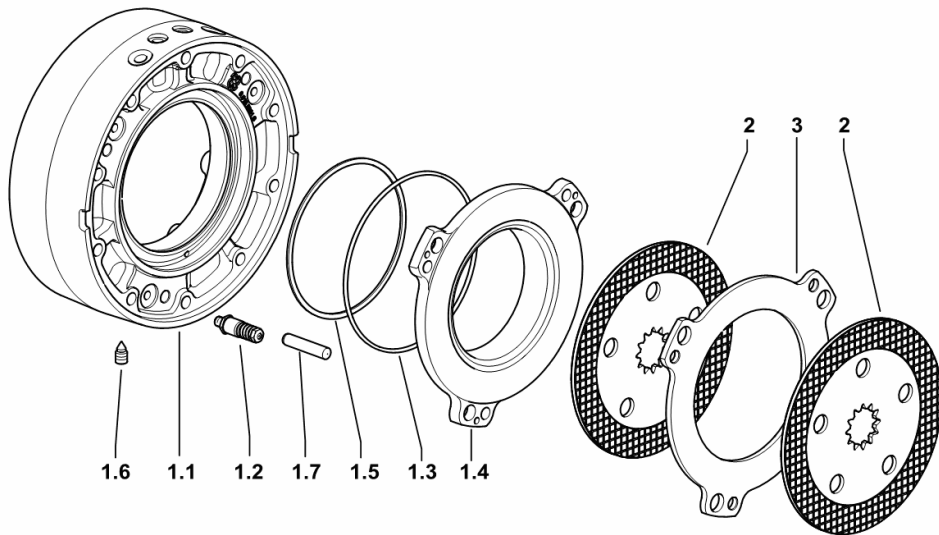
REAR BRAKES

Fig.	Code	QTY	Name
------	------	-----	------

Notes:

- FOR TYPES WITH 2 BRAKE DISK HEAVY DUTY REAR AXLE [AGROLUX 50 E 2WD ->D10S453WX1E1001] -
 FOR TYPES WITH 2 BRAKE DISK HEAVY DUTY REAR AXLE [AGROLUX 50 E 4WD ->D10S453WT1E1001]

1.1	0.015.5301.0/10	1	box
1.2	0.015.7325.4/20	3	device
1.3	2.1532.276.0	1	'o' ring
1.4	0.015.5302.0/10	1	piston
1.5	2.1532.265.0	1	'o' ring
1.6	2.3139.013.7	1	plug m12x1,25
1.7	2.1655.616.0	3	pin 12x60
2	0.015.4482.2	4	brake disc
3	0.015.5388.0	2	dischette



I9_J1454_01_0-A-001

FLOW CONTROL VALVE WITH MECHANICAL CONTROL

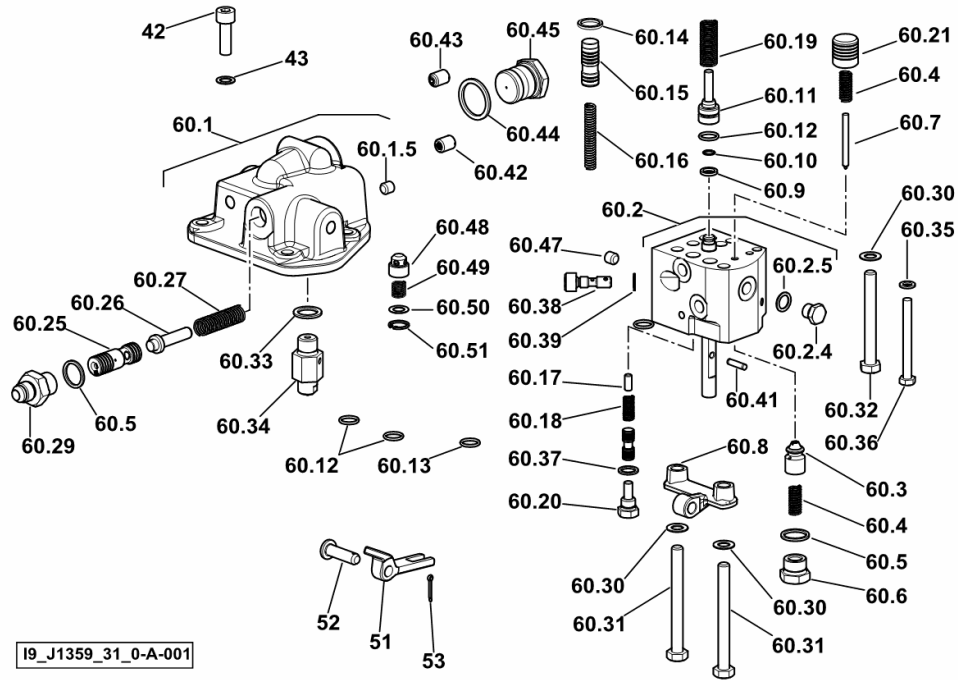


Fig.	Code	QTY	Name
60.38	0.009.3363.3	1	screw
60.39	2.1560.003.0	1	gasket 8.2 x 12
60.41	2.1631.307.0	1	roll pin 4x16
60.42	0.9123.450.3/10	1	grain
60.43	0.9123.454.3/10	1	grain
60.44	2.1560.019.0	1	gasket 24.3x30
60.45	2.3199.342.2	1	plug
60.47	2.0512.202.7	1	screw m 8 p.1.25 x 8
60.48	0.010.5377.0	1	regulator
60.49	2.4019.813.1	1	spring
60.50	2.1549.353.0	1	washer
60.51	2.1411.003.1	1	circlip 14

I9_J1359_31_0-A-001

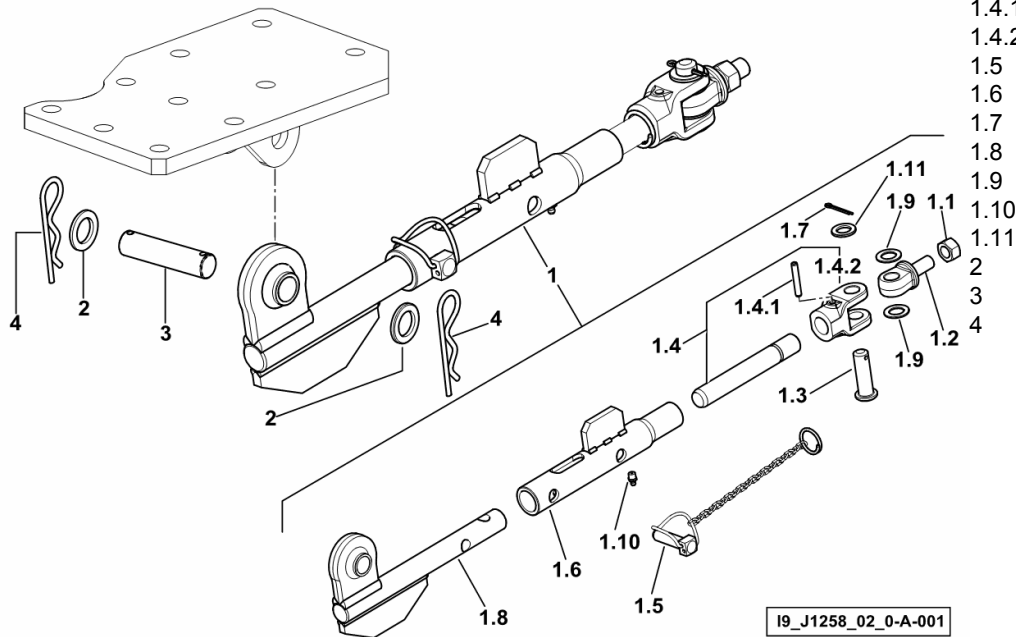
3-POINT HITCH - SIDE STABILIZERS

Fig.	Code	QTY	Name
------	------	-----	------

Notes:

[AGROLUX 50 E 2WD ->D10S453WX1E1001] [AGROLUX 50 E 4WD ->D10S453WT1E1001]

1	0.015.7345.4/30	2	stabiliser
1.1	2.1011.410.2	1	nut m 18 p.1.5
1.2	0.96017.50.0/30	1	pin
1.3	2.1671.917.2	1	pin
1.4	0.015.7932.3/10	1	rod
1.4.1	0.96001.44.0/20	1	fork
1.4.2	2.1630.717.2	1	roll pin 8 x 50
1.5	0.96001.57.4/10	1	pin
1.6	0.010.0515.2/20	1	tube
1.7	2.1690.513.2	1	split pin 5 x 36
1.8	0.015.7347.3/10	1	rod
1.9	2.1599.486.0	2	snoulder
1.10	2.3820.105.2	1	lubricator m 10 p.1 x 7
1.11	2.1311.012.2	1	flat washer 20
2	2.1399.029.2	4	flat washer Ø 39
3	2.1669.021.2	2	pin
4	2.1699.084.2	4	pin Ø 27



REAR PTO COVER.....	D0.14.9 (1)
4WD ENGAGEMENT POWER TAKE-OFF - 4WD PARKING BRAKE	
4WD - ENGAGEMENT CONTROL.....	D0.15.0 (1)
4WD - ENGAGEMENT CONTROL - WATERPROOF SEALS.....	D0.15.1 (1)
INDEPENDENT HAND BRAKE.....	D0.15.2 (1)
REVERSE 	
REVERSE GEAR INTERMEDIATE SHAFT.....	D0.20.0 (1)
REVERSE GEAR INTERMEDIATE SHAFT.....	D0.20.1 (1)
REVERSE GEAR INTERMEDIATE SHAFT.....	D0.20.2 (1)
REVERSE GEAR INTERMEDIATE SHAFT.....	D0.20.3 (1)
REVERSE GEAR INTERMEDIATE SHAFT.....	D0.20.4 (1)
REVERSE GEAR INTERMEDIATE SHAFT.....	D0.20.5 (1)

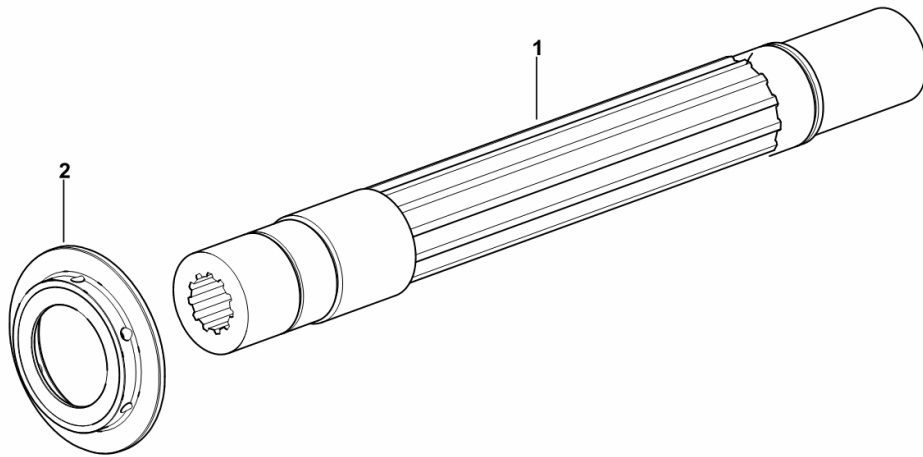
MAIN SHAFT

Fig.	Code	QTY	Name
------	------	-----	------

Notes:

- FOR TYPES WITH SINGLE CLUTCH [AGROLUX 50 E 2WD ->D10S453WX1E1001] - FOR TYPES WITH SINGLE CLUTCH [AGROLUX 50 E 4WD ->D10S453WT1E1001]

1	0.010.1268.0/20	1	shaft
2	0.007.7790.0	1	spacer



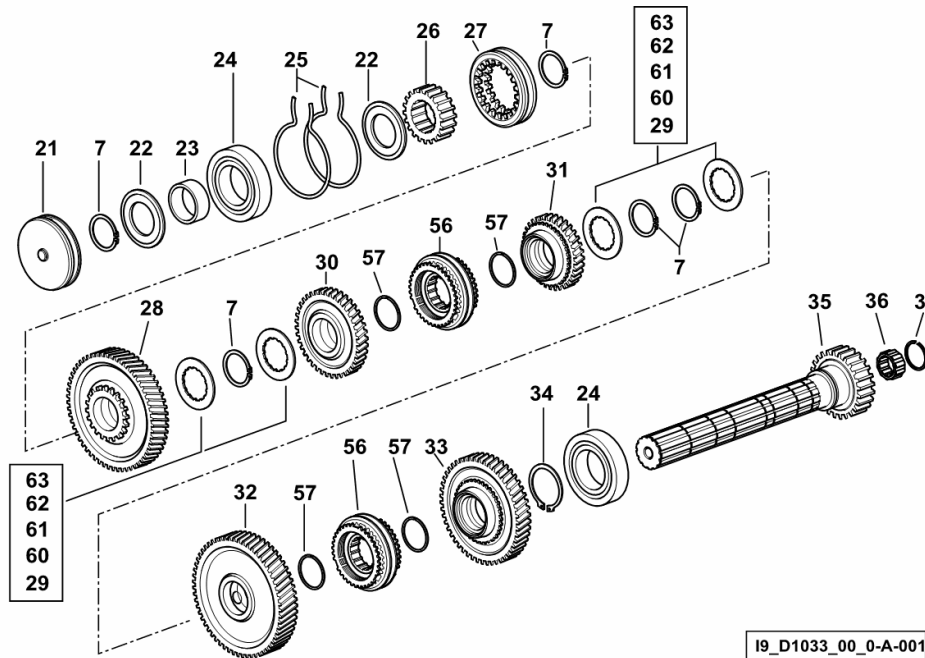
19_72333_01_0-A-001

TRANSMISSION SHAFT

Fig.	Code	QTY	Name
------	------	-----	------

Notes:

- FOR SYNCHRONISED GEARBOX - WITH 10 KPH REVERSE [AGROLUX 50 E 2WD ->D10S453WX1E1001] -
 FOR SYNCHRONISED GEARBOX - WITH 10 KPH REVERSE [AGROLUX 50 E 4WD ->D10S453WT1E1001]



7	2.1419.092.0	6	circlip
21	0.008.5724.0/20	1	flange
22	2.1599.768.0	2	ring
23	2.1559.313.0/10	1	sleeve 42x50x19.5
24	2.2042.014.9	2	ball bearing 50 x 90 x 20
25	2.1499.123.1/10	2	circlip 86 x 2.46
26	0.010.1060.0	1	hub Z = 20
27	0.010.1059.0	1	hub Z = 20
28	0.010.1018.0/10	1	gear Z = 57
29	0.008.0251.0	0.8	shim 39 x 64 x 2.65
30	0.010.5558.0	1	gear z=39
31	0.010.5559.0	1	gear z=33
32	0.010.5556.0	1	gear Z = 59
33	0.010.5557.0	1	gear Z = 49
34	2.1410.020.1	1	circlip 50
35	0.010.5555.0	1	shaft
36	2.2999.173.0	1	roller cage 23 x 35 x 16.2
37	2.1423.026.7	1	circlip 35 x 1.5
56	0.009.6825.4	2	lock synchronizer 62 0.009.6825.4
57	2.1422.029.7	4	circlip 40 x 1.5
60	0.010.0629.0	0.8	shim 39 x 64 x 2.85
61	0.010.0630.0	0.8	shim 39 x 64 x 3.05
62	0.010.0631.0	0.8	shim 39 x 64 x 3.25
63	0.010.0632.0	0.8	shim 39 x 64 x 3.45

19_D1033_00_0-A-001

AIR DUCT WALL

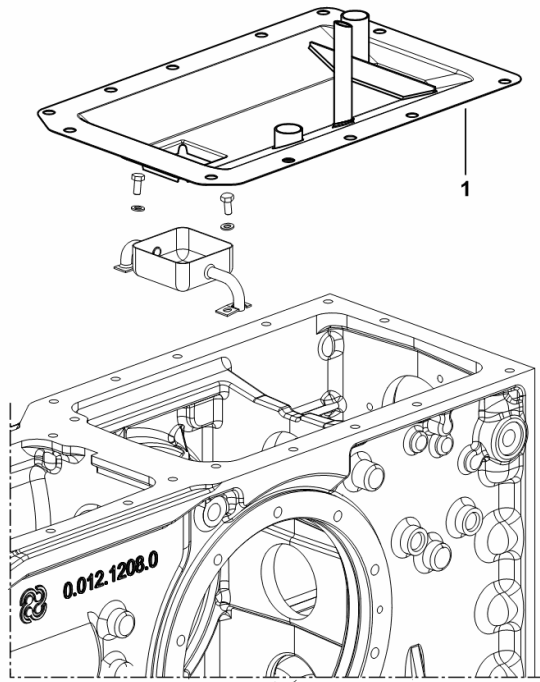
Fig.	Code	QTY	Name
------	------	-----	------

Notes:

- FOR TYPES WITH 1 BRAKE DISK HEAVY DUTY REAR AXLE [AGROLUX 50 E 2WD ->D10S453WX1E1001]
- FOR TYPES WITH 2 BRAKE DISK HEAVY DUTY REAR AXLE [AGROLUX 50 E 2WD ->D10S453WX1E1001]
- FOR TYPES WITH 1 BRAKE DISK HEAVY DUTY REAR AXLE [AGROLUX 50 E 4WD ->D10S453WT1E1001]
- FOR TYPES WITH 2 BRAKE DISK HEAVY DUTY REAR AXLE [AGROLUX 50 E 4WD ->D10S453WT1E1001]

1	0.015.5409.2/20	1	cup
---	-----------------	---	-----

19_J1431_01_0-A-001



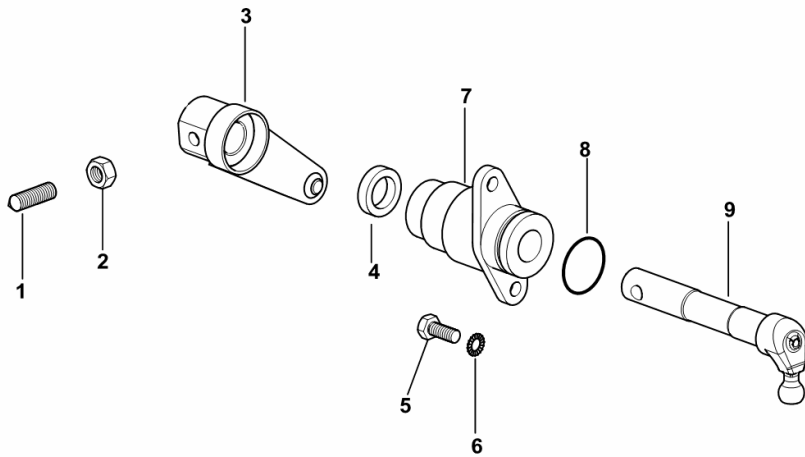
IN-CAB REDUCTION GEAR CONTROLS

Fig.	Code	QTY	Name
------	------	-----	------

Notes:

- FOR TYPES WITH 4 SPEED 2 RANGE GEARBOX [AGROLUX 50 E 2WD ->D10S453WX1E1001] 1001 <- - FOR TYPES WITH 4 SPEED 2 RANGE GEARBOX [AGROLUX 50 E 4WD ->D10S453WT1E1001] 1001 <-

1	2.0399.050.2	2	screw m 10 p.1 x 30
2	2.1011.406.2	2	nut m 10 p.1
3	0.012.7681.3	1	lever
4	2.1520.006.0	2	oil seal 20 x 30 x 7
5	2.0112.207.2	4	screw m 8 p 1.25 x 20
6	2.1470.004.2	4	washer 8
7	0.008.5413.0/10	1	support
8	2.1530.091.0	2	'o' ring 34.60 x 2.62
9	0.010.1407.0	1	lever



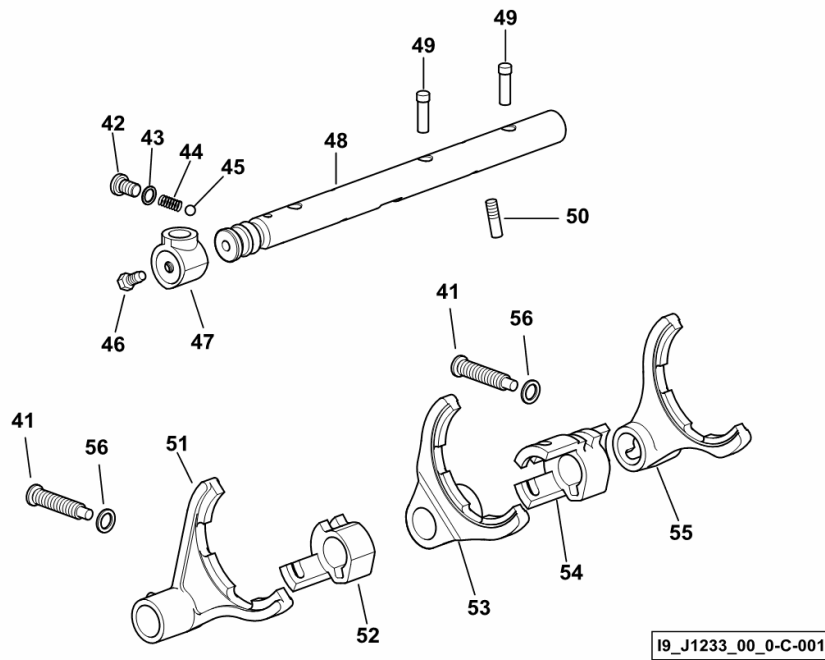
INTERNAL CONTROLS

Fig.	Code	QTY	Name
------	------	-----	------

Notes:

- FOR NON SYNCHRONISED GEARBOX - WITH 30 KPH REVERSE [AGROLUX 50 E 2WD ->D10S453WX1E1001]

- FOR NON SYNCHRONISED GEARBOX - WITH 30 KPH REVERSE [AGROLUX 50 E 4WD ->D10S453WT1E1001]



41	2.0399.206.2	2	screw m 12 p.1.75 x 56.5
42	2.3199.238.2	1	plug m 10
43	2.1560.005.0	1	gasket 10.2 x 14
44	2.4019.670.1	1	spring 5 x 8 x 1.5 x 22.5
45	2.2810.004.0	1	ball 5/16"
46	2.0399.019.1	1	screw m 8 p.1 x 16
47	0.008.5226.0/20	1	hub
48	0.008.5130.0/70	1	rod
49	0.008.5994.0/10	3	pin
50	2.0399.286.0/10	2	grain m 8 p.1.25 x 28
51	0.014.6201.0	1	fork
52	0.008.5198.0/40	1	hub
53	0.014.6202.0	1	fork
54	0.010.4945.0	1	sleeve
55	0.014.6203.0/10	1	fork
56	2.1560.008.0	2	gasket 12.2 x 18

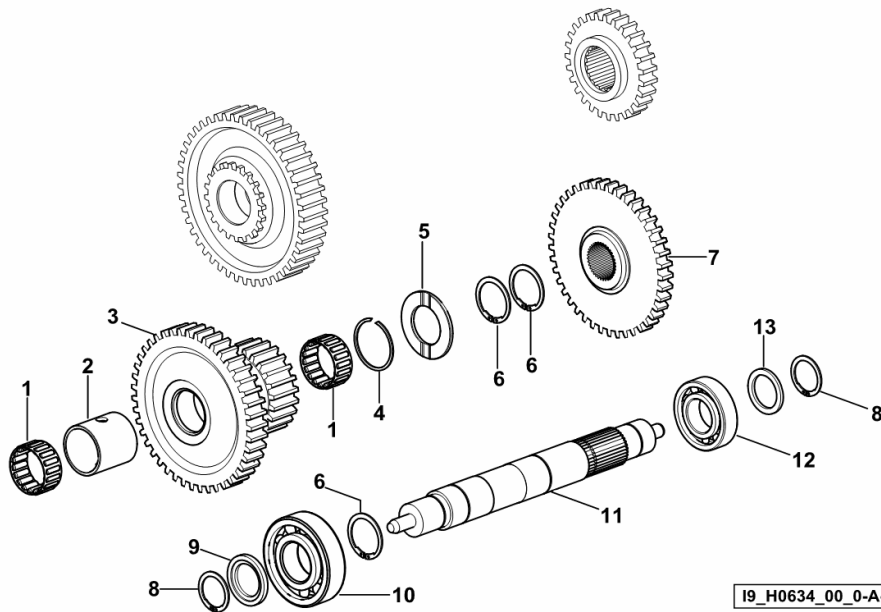
2-RANGE BOX - 2WD

Fig.	Code	QTY	Name
------	------	-----	------

Notes:

- 2WD [AGROLUX 50 E 2WD ->D10S453WX1E1001]

1	2.2999.026.0	2	roller cage 35 x 45 x 20
2	2.1549.137.0	1	spacer 38.8 x 44.8 x 45.3
3	0.010.0998.0	1	gear Z= 43 - 24 m3.25
4	2.1423.034.7	1	circlip 45 x 1.5
5	2.1599.610.0	1	snoulder 35 x 60 x 3.5
6	2.1419.067.0	3	circlip 35 x 1.5
7	0.013.5058.0	1	gear z = 41 z = 17
8	2.1419.066.0	2	circlip 30
9	2.1549.054.0/10	1	spacer 29.7 x 45 x 4.5
10	2.2060.011.9	1	bearing 35 x 80 x 21
11	0.012.8145.0/10	1	shaft
12	2.2040.009.9	1	bearing 30 x 62 x 16
13	2.1599.612.0/10	1	shoulder 30.1 x 40 x 3



AGROLUX 50 E ->D10S453WT1E1001

Section: D0 - TRANSMISSION

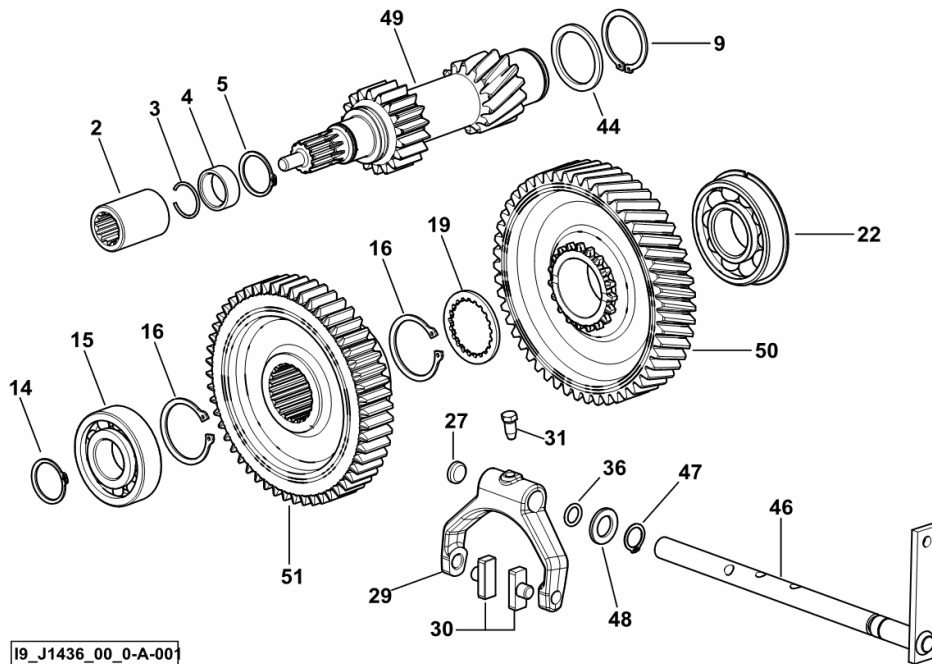
Ref.: D0.14.3 (1)

P.T.O. - WITH N° 540 - 750

Fig.	Code	QTY	Name
------	------	-----	------

Notes:

[AGROLUX 50 E 2WD ->D10S453WX1E1001] [AGROLUX 50 E 4WD ->D10S453WT1E1001]



2	0.010.7696.0	1	sleeve Z = 11
3	2.1421.010.7	1	circlip 25
4	2.1549.172.0	1	spacer 24.7 x 31 x 12
5	2.1410.012.1	1	circlip 30
9	2.1410.016.1	1	circlip 40
14	2.1410.012.1	1	circlip 30
15	2.2060.009.9	1	bearing 30 x 72 x 19
16	2.1410.018.7	2	circlip 45
19	2.1599.828.0/10	1	thrust plate 41 x 55 x 3
22	2.2999.235.0	1	bearing 35 x 80 x 21
27	2.3171.006.4	5	plug Ø 16
29	0.010.0468.0	1	fork
30	0.255.6463.0	2	shoe
31	2.0399.019.1	1	screw m 8 p.1 x 16
36	2.1530.028.0	1	'o' ring 11.91 x 2.62
44	2.1599.414.0	1	snoulder 40 x 50 x 3.0
46	0.012.4365.2/10	1	lever
47	2.1410.004.2	1	circlip 16
48	2.1311.010.2	1	flat washer 16
49	0.011.9829.0/10	1	shaft Z = 11 / Z = 18 / Z = 14
50	0.012.0074.0	1	gear Z = 51
51	0.012.0103.0	1	gear Z = 52

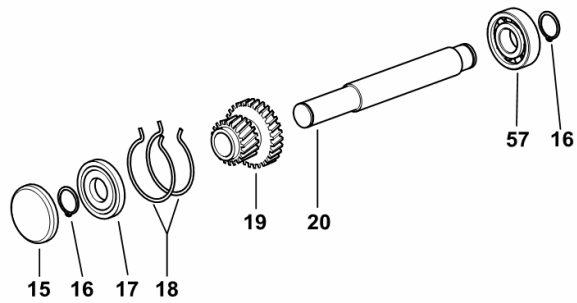
REVERSE GEAR INTERMEDIATE SHAFT

Fig.	Code	QTY	Name
------	------	-----	------

Notes:

- FOR NON SYNCHRONISED GEARBOX - WITH 10 KPH REVERSE [AGROLUX 50 E 2WD ->D10S453WX1E1001]
- FOR NON SYNCHRONISED GEARBOX - WITH 10 KPH REVERSE [AGROLUX 50 E 4WD ->D10S453WT1E1001]

15	2.3179.016.0	1	expansion plug Ø 72
16	2.1410.012.1	2	circlip 30
17	2.2063.009.9	1	ball bearing 30 x 72 x 19
18	2.1499.124.1/10	2	circlip 68 x 1.7
19	0.010.1000.0	1	gear z=20 z=29
20	0.010.0999.0	1	shaft
57	2.2060.009.9	1	bearing 30 x 72 x 19



I9_72333_00_0-D-001

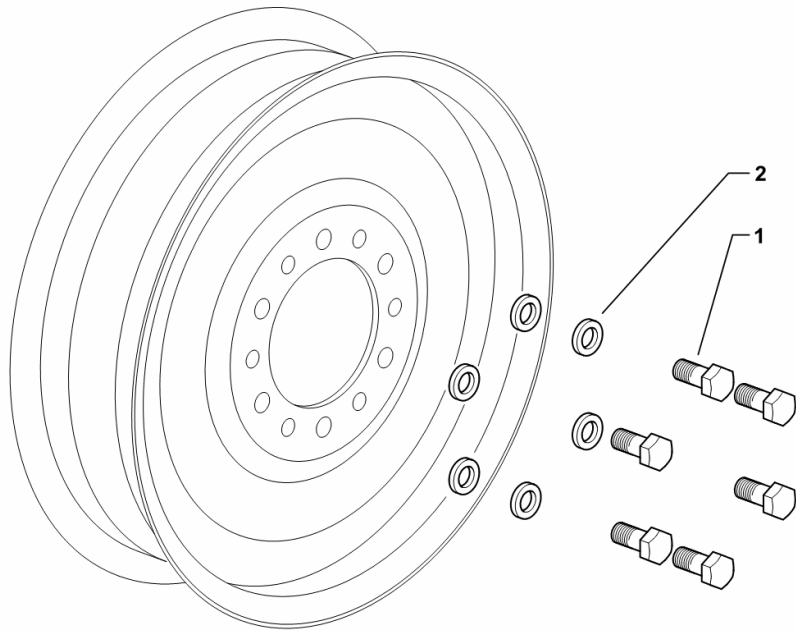
2WD - FRONT WHEEL MOUNTING

Fig.	Code	QTY	Name
------	------	-----	------

Notes:

[AGROLUX 50 E 2WD ->D10S453WX1E1001]

1	2.0112.615.2	12	screw m 16 p.2 x 40
2	2.1475.206.2	12	washer 16



I9_72355_03_0-A-001

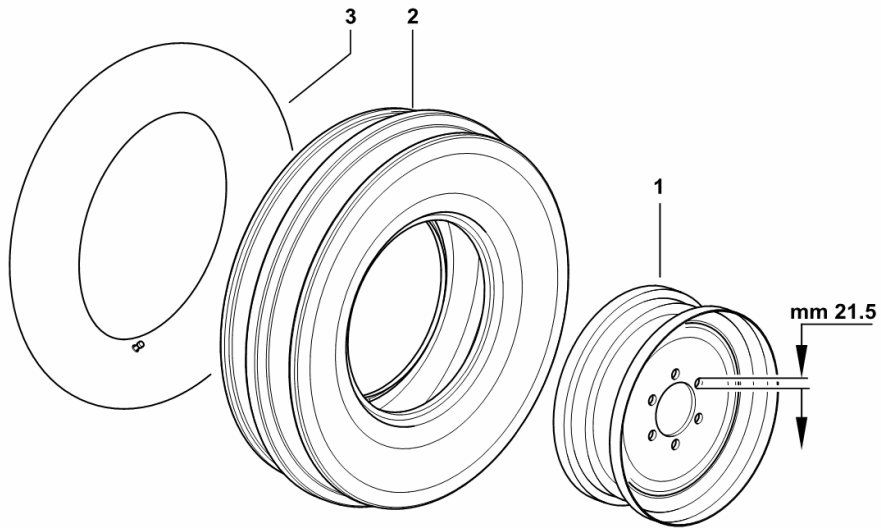
2WD - FRONT WHEELS 7.50 x 16" pr 8

Fig.	Code	QTY	Name
------	------	-----	------

Notes:

[AGROLUX 50 E 2WD ->D10S453WX1E1001]

1	0.012.8309.2	2	rim 5.50Fx16"
2	2.4810.029.0	2	tyre 7.50 x 16" pr 8
3	2.4820.017.0	2	air chamber x 7.50-16



I9_J1255_11_0-A-001

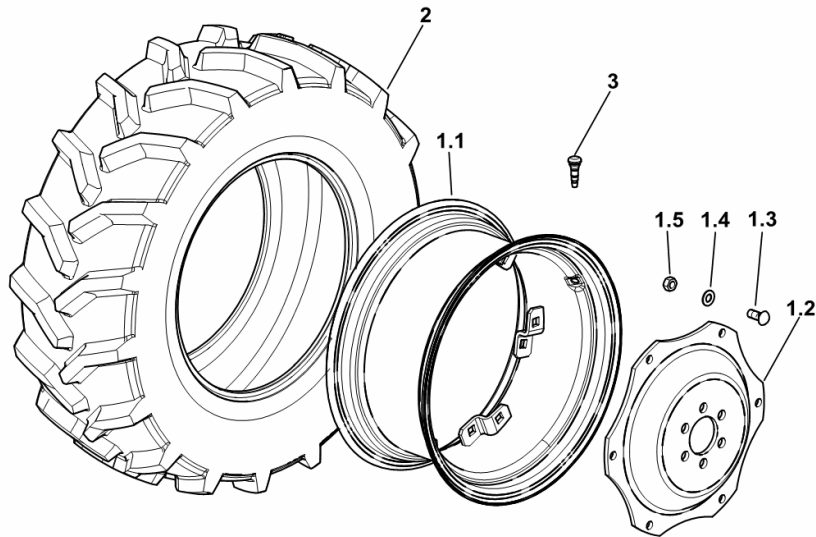
WHEELS 320/85R20"(12.4R20")

Fig.	Code	QTY	Name
------	------	-----	------

Notes:

[AGROLUX 50 E 4WD ->D10S453WT1E1001]

1.1	0.013.4310.3	1	rim W 10x20" C/ST
1.2	0.010.4301.0	1	rim center flange
1.3	2.0099.005.6	6	screw m 16 p.1.5 x 38
1.4	2.1499.019.6	6	washer 16.3 x 31.5
1.5	2.1019.059.6	6	nut m 16 p.1.5 x 16
2	2.4811.227.0	2	tyre 320/85R20"(12.4R20")
3	0.012.6364.0	2	valve



19_J1255_24_0-A-001

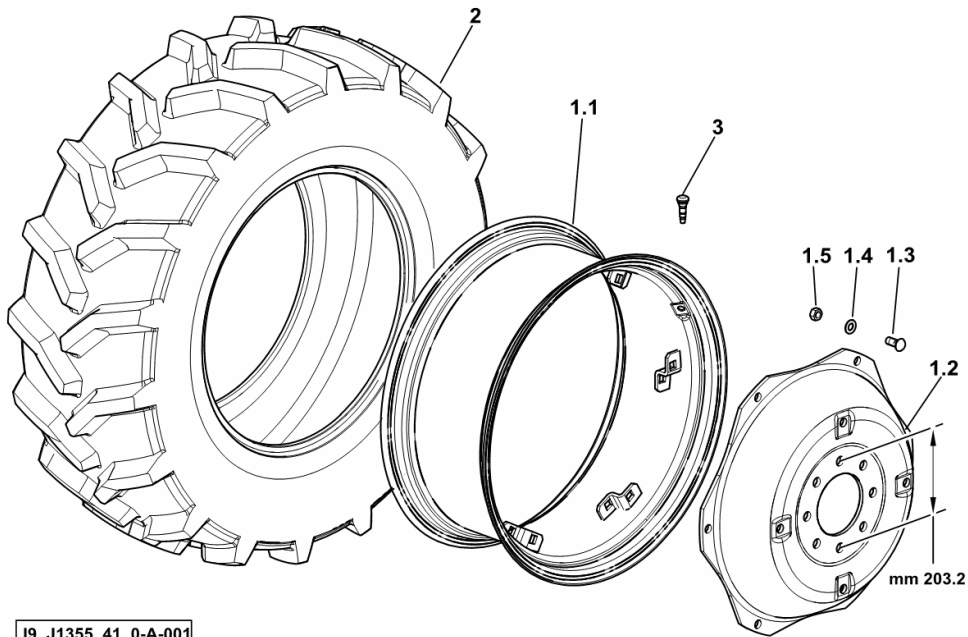
WHEELS 340/85R28"(13.6R28")

Fig.	Code	QTY	Name
------	------	-----	------

Notes:

[AGROLUX 50 E 2WD ->D10S453WX1E1001] [AGROLUX 50 E 4WD ->D10S453WT1E1001]

1.1	0.012.2912.3	1	rim W 12x28" C/ST.
1.2	0.258.5551.0	1	rim center flange
1.3	2.0399.030.6	6	screw m 18 p.1.5 x 45
1.4	2.1499.018.6	6	conical washer 18 x 35.5
1.5	2.1011.310.6	6	nut m 18 p.1.5
2	2.4811.047.0	2	tyre 340/85R28"(13.6R28")
3	0.012.6364.0	2	valve



I9_J1355_41_0-A-001

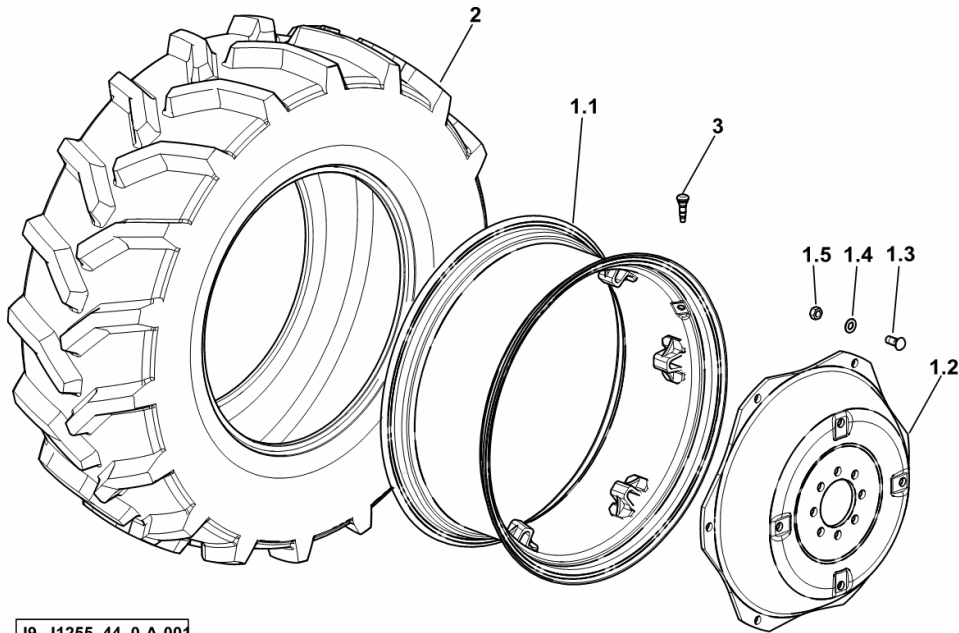
WHEELS 420/85R28 (16.9R28) TL

Fig.	Code	QTY	Name
------	------	-----	------

Notes:

[AGROLUX 50 E 2WD ->D10S453WX1E1001] [AGROLUX 50 E 4WD ->D10S453WT1E1001]

1.1	0.011.6554.3	1	rim W 15Lx28" C/ST
1.2	0.255.5559.0/20	1	rim center flange 28"
1.3	2.0399.204.6/10	6	screw m 18 p.1.5x80
1.4	2.1499.018.6	6	conical washer 18 x 35.5
1.5	2.1019.060.6	6	nut m 18 p.1.5
2	2.4811.054.0	2	tyre 420/85R28 (16.9R28) TL
3	0.012.6364.0	2	valve



19_J1255_44_0-A-001

CLICK HERE TO **DOWNLOAD** THE COMPLETE MANUAL

- Thank you very much for reading the preview of the manual.
- You can download the complete manual from: www.heydownloads.com by clicking the link below



- Please note: If there is no response to CLICKING the link, please download this PDF first and then click on it.

CLICK HERE TO **DOWNLOAD** THE COMPLETE MANUAL