

Agrokid 45 -> 15001

V0 - BALLAST, TOWING HITCHES

FRONT HITCHES

FRONT TOWING HITCH.....	V0.01.0 (1)
TOWING HOOK WITH FRONT POWER-LIFT.....	V0.01.1 (1)

REAR HITCHES

REAR GEARBOX BRACKETS.....	V0.02.0 (1)
REAR GEARBOX BRACKETS.....	V0.02.1 (1)
REAR TOWING HITCH CAT. " C ".....	V0.02.2 (1)
REAR OSCILLATING HITCH.....	V0.02.3 (1)
REAR TOWING HITCH.....	V0.02.5 (1)
REAR TOWING HITCH.....	V0.02.7 (1)
TOWING BAR.....	V0.02.8 (1)
DRAWBAR COUPLING.....	0.014.8210.4.A

FRONT BALLAST WEIGHTS

FRONT BALLAST Kg 60.....	V0.03.0 (1)
FRONT BALLAST kg 100.....	V0.03.1 (1)
FRONT BALLAST FASTENERS.....	V0.03.2 (1)

WHEEL BALLAST

WHEEL BALLAST REAR.....	V0.05.0 (1)
-------------------------	-------------

CLICK HERE TO **DOWNLOAD** THE COMPLETE MANUAL

- Thank you very much for reading the preview of the manual.
- You can download the complete manual from: www.heydownloads.com by clicking the link below

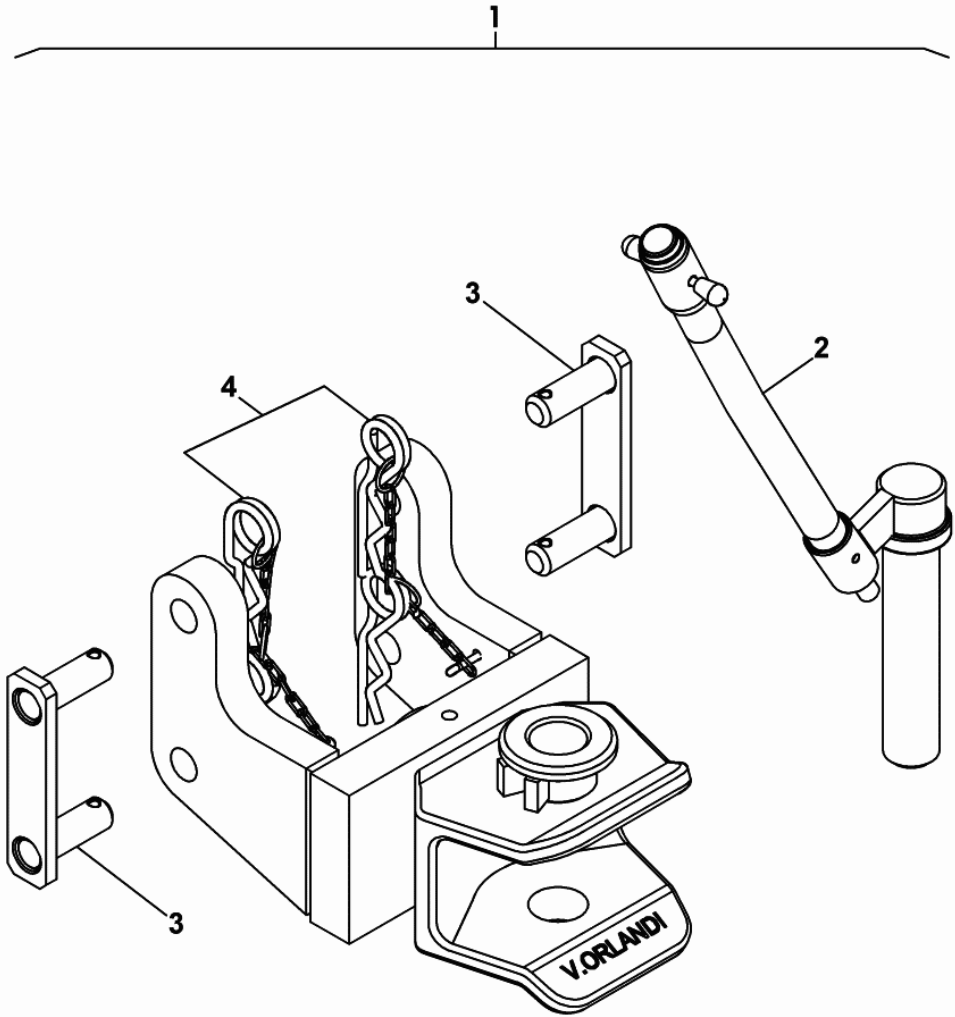


- Please note: If there is no response to CLICKING the link, please download this PDF first and then click on it.

CLICK HERE TO **DOWNLOAD** THE COMPLETE MANUAL

DRAWBAR COUPLING

Fig.	Code	QTY	Name
1	0.014.8210.4	1	tow hook
2	0.900.0512.0	1	pin
3	0.900.0512.1	1	pin
4	0.900.0512.2	1	chain



0_014_8210_4

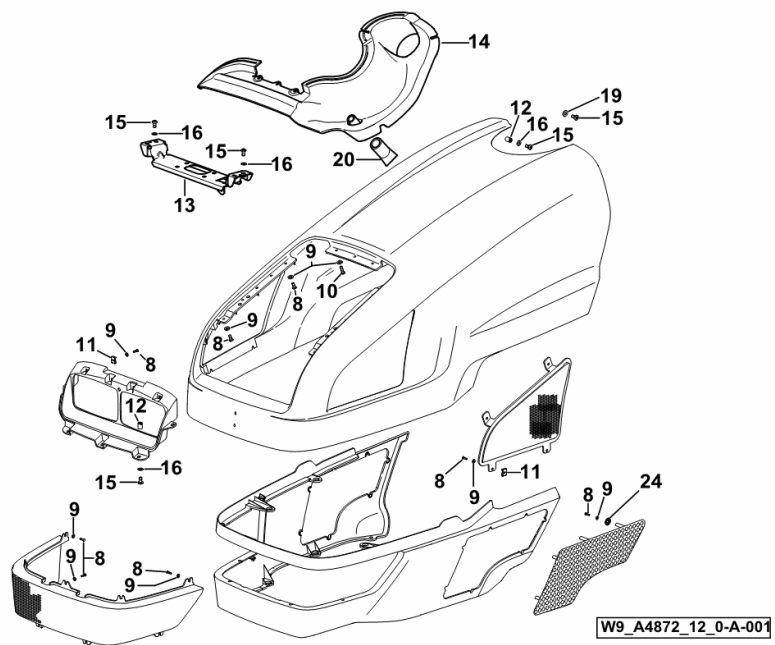
HOOD - SUPPORTS

Fig.	Code	QTY	Name
------	------	-----	------

Notes:

[AGROKID 45 DT -> 15001 4WD B]

8	2.0361.307.2	29	screw 3.5x12
9	2.1310.028.2	30	flat washer 4
10	2.0361.309.2	3	screw m 3.5x12
11	2.6999.060.2/10	10	small spring 3.5
12	2.1899.064.0	14	insert
13	0.013.2022.3/10	1	bracket
14	0.013.2488.0/50	1	tube
15	2.0332.404.2	22	screw m 6 x 12
16	2.1310.002.2	18	washer 6.6, d125
19	2.1312.003.2	4	washer 6
20	0.009.0890.0	1	terminal
24	0.008.7103.0	14	circlip 5 x 14



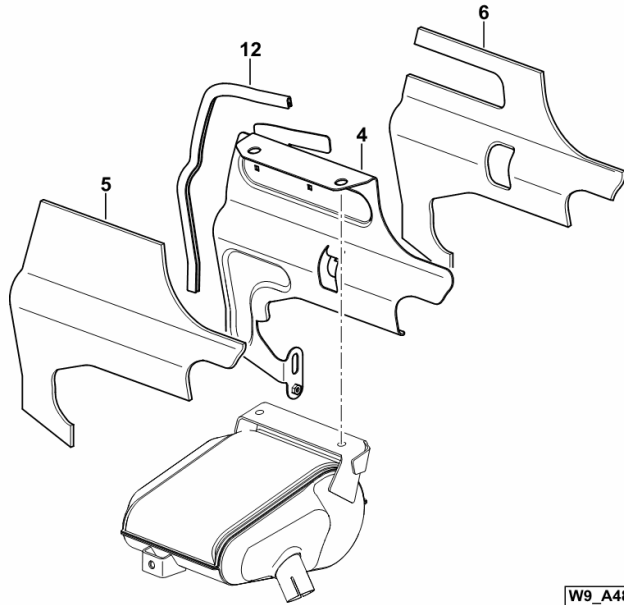
SOUND/THERMAL INSULATION PANELS

Fig.	Code	QTY	Name
------	------	-----	------

Notes:

[AGROKID 45 DT -> 15001 4WD B]

4	0.014.2778.3	1	panel
5	0.014.2776.0	1	guard
6	0.014.2777.0	1	guard
12	0.013.7945.0	1	gasket



W9_A4872_08_0-A-001

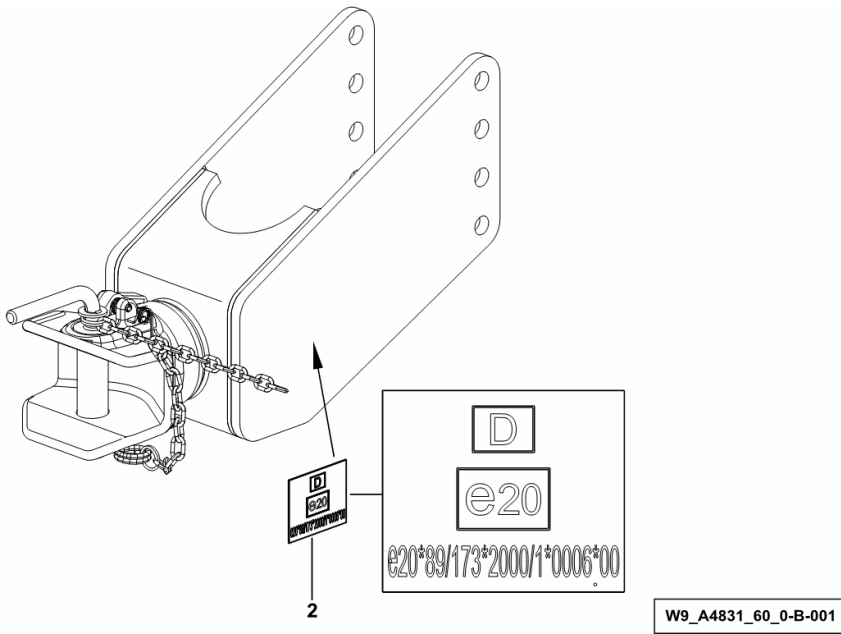
TOWING HITCH IDENTIFICATION PLATE

Fig.	Code	QTY	Name
------	------	-----	------

Notes:

- EXPORT PL [AGROKID 45 DT -> 15001 4WD B]

2	2.9939.246.0	1	plate
---	--------------	---	-------



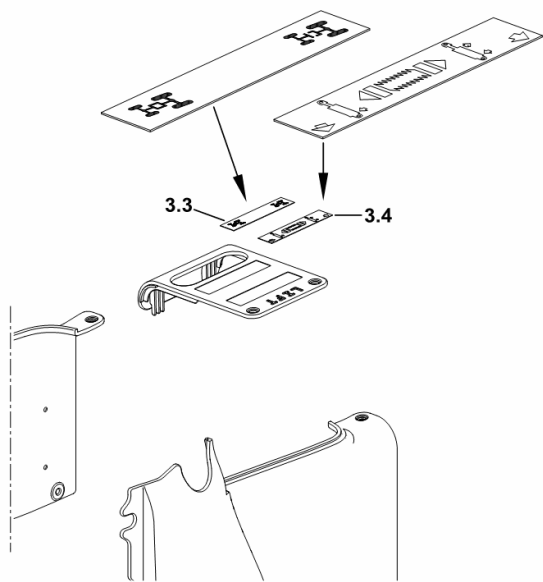
PLATES

Fig.	Code	QTY	Name
------	------	-----	------

Notes:

[AGROKID 45 DT -> 15001 4WD B]

3.3	2.9929.354.0	1	plate 4 WD
3.4	0.013.4335.0	1	plate



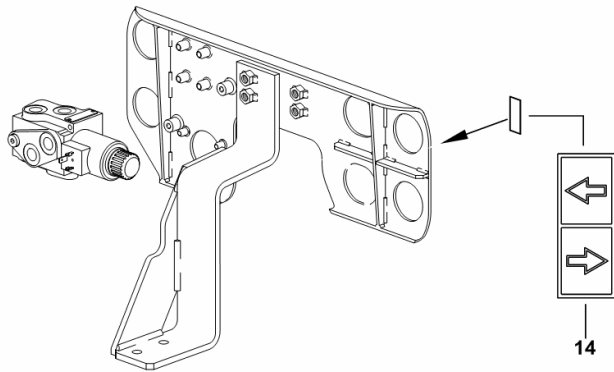
W9_A4876_02_0-B-001

PLATES- FOR 6-WAY DISTRIBUTOR

Fig.	Code	QTY	Name
------	------	-----	------

Notes:
 [AGROKID 45 DT -> 15001 4WD B]

14	2.9939.221.0	1	plate
----	--------------	---	-------



W9_H3788_25_0-B-001

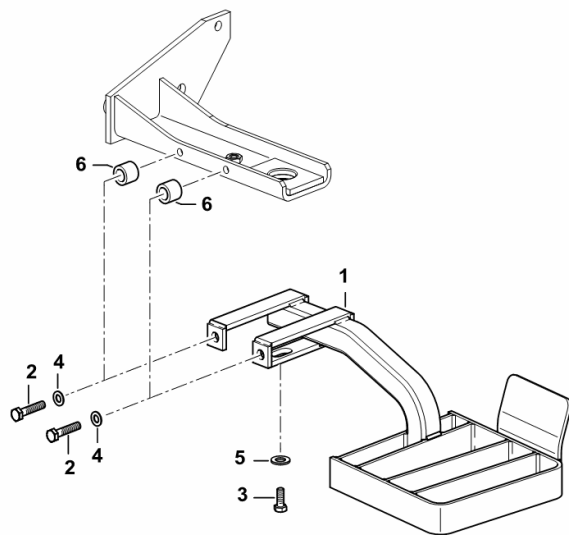
LADDER

Fig.	Code	QTY	Name
------	------	-----	------

Notes:

[AGROKID 45 DT -> 15001 4WD B]

1	0.012.5061.2/10	1	climbing steps
2	2.0112.215.2	2	screw m 8 p.1.25 x 40
3	2.0112.209.2	1	screw m 8 p 1.25 x 25
4	2.1475.002.2	2	conical washer 8
5	2.1312.004.3	1	washer 8,4x24x2
6	2.1549.505.0/10	2	spacer



W9_A4876_06_0-A-001

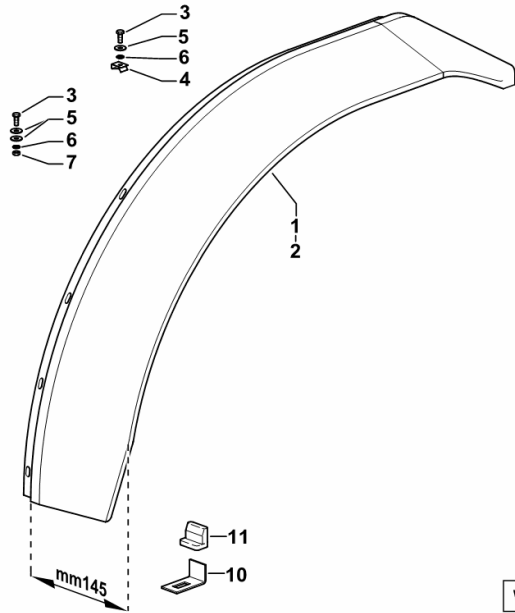
Section: G0 - BODYWORK - CAB
MUDGUARDS EXTENSIONS

Fig.	Code	QTY	Name
------	------	-----	------

Notes:

mm 145 [AGROKID 45 DT -> 15001 4WD B]

1	0.009.6387.0/20	1	extension sx/lh/li
2	0.009.6388.0/20	1	extension dx/rh/re
3	2.0112.005.2	20	screw m 6 p.1 x 16
4	2.6999.064.6	16	special nut m 6
5	2.1312.003.2	24	washer 6
6	2.1470.002.2	20	washer 6, d128
7	2.1011.203.2	4	nut m 6 p.1
10	0.012.4903.0	2	bracket
11	0.009.7992.0	2	block



W9_53276_26_0-A-001

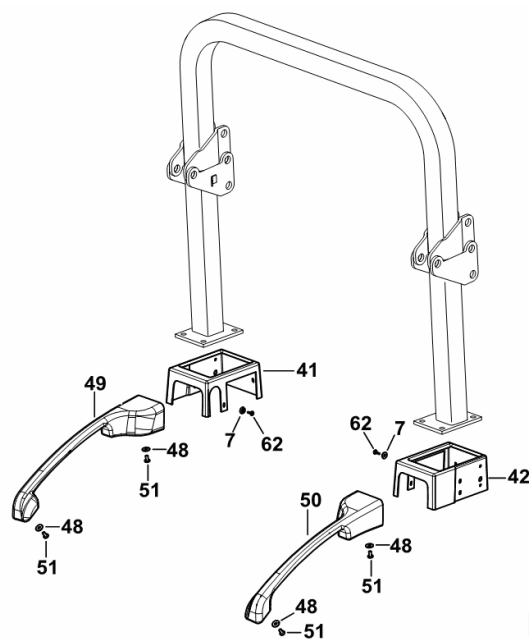
REAR BEACON MOUNTING

Fig.	Code	QTY	Name
------	------	-----	------

Notes:

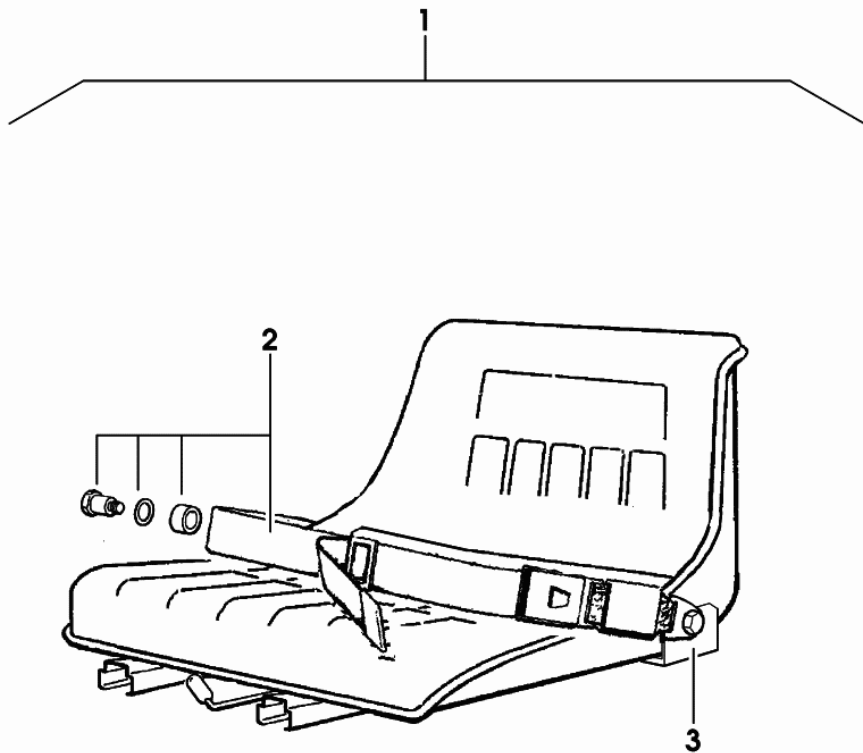
- WITH FOLD-DOWN ROPS [AGROKID 45 DT -> 15001 4WD B]

7	0.9200.358.0	10	washer 5.4x10x15.8
41	0.013.6492.0/10	1	guard dx/rh/re
42	0.013.6493.0/10	1	guard sx/lh/li
48	2.1312.003.3	8	washer 6.6 x 18
49	0.013.6490.3	1	handle dx/rh/re
50	0.013.6491.3	1	handle sx/lh/li
51	2.0332.404.2	6	screw m 6 x 12
62	2.0332.304.2	4	screw m 5 p.0.8 x 12



SEAT-COMPONENTS

Fig.	Code	QTY	Name
1	0.012.4782.4/20	1	seat
2	0.900.0461.2	1	safety belt
3	0.000.0000.1	1	not serviceable



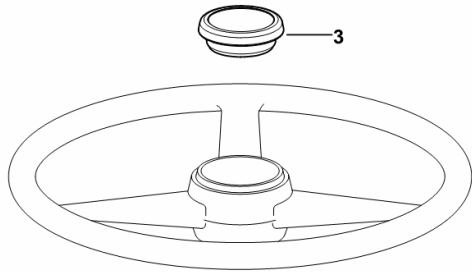
0_012_4782_4_20

STEERING WHEEL CAP

Fig.	Code	QTY	Name
------	------	-----	------

Notes:
[AGROKID 45 DT -> 15001 4WD B]

3	0.008.7691.0/10	1	plug
---	-----------------	---	------



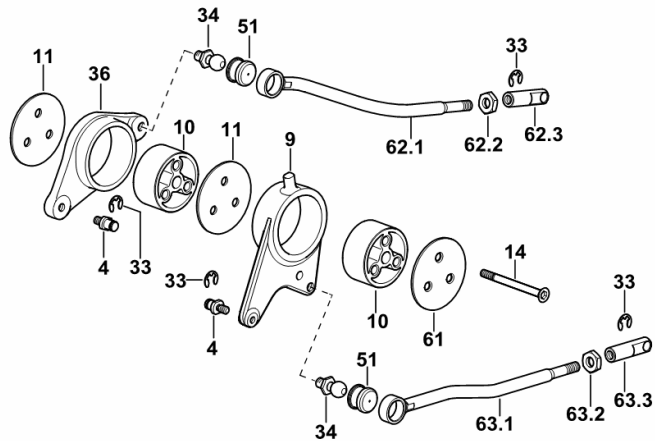
W9_H4672_05_0-B-001

CONTROL TIE RODS AND LEVERS

Fig.	Code	QTY	Name
------	------	-----	------

Notes:

[AGROKID 45 DT -> 15001 4WD B]



4	2.1699.418.2	2	pin
9	0.013.3036.0/10	1	transmission
10	0.010.4159.0/10	2	pin
11	0.009.6439.0/10	2	small plate
14	2.0342.216.6	3	screw
33	2.1430.008.7	4	circlip 7
34	2.1699.451.2	2	pin
36	0.013.3030.0/20	1	transmission
51	0.255.6454.0	2	pin seat
61	0.010.4366.0	1	small plate
62.1	0.013.3271.2	1	rod
62.2	2.1011.205.2	1	nut m 8 p.1.25
62.3	0.9107.661.0/20	1	tip
63.1	0.013.3272.2/10	1	rod
63.2	2.1011.205.2	1	nut m 8 p.1.25
63.3	0.9107.661.0/20	1	tip

W9_A4859_52_0-A-001

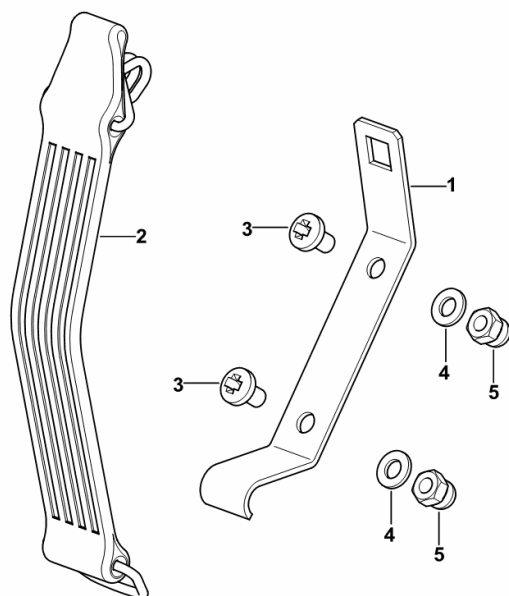
BRACKET FOR TOOL BOX

Fig.	Code	QTY	Name
------	------	-----	------

Notes:

[AGROKID 45 DT -> 15001 4WD B]

1	0.014.0032.0	1	bracket
2	0.008.8133.2/10	1	rod
3	2.0332.403.2	2	screw m 6 p.1 x 10
4	2.1310.002.2	2	washer 6.6, d125
5	2.1030.001.7	2	nut m 6



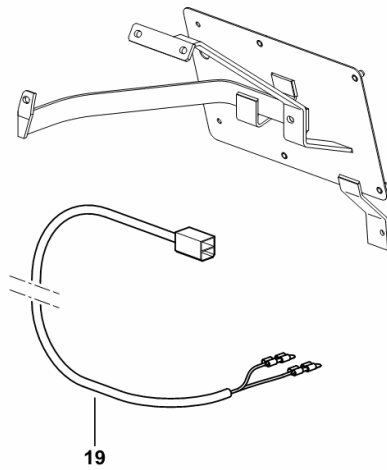
W9_A4973_02_0-A-001

CABLE HARNESS LICENCE PLATE LIGHT

Fig.	Code	QTY	Name
------	------	-----	------

Notes:
[AGROKID 45 DT -> 15001 4WD B]

19	0.007.6724.3/20	1	wire
----	-----------------	---	------



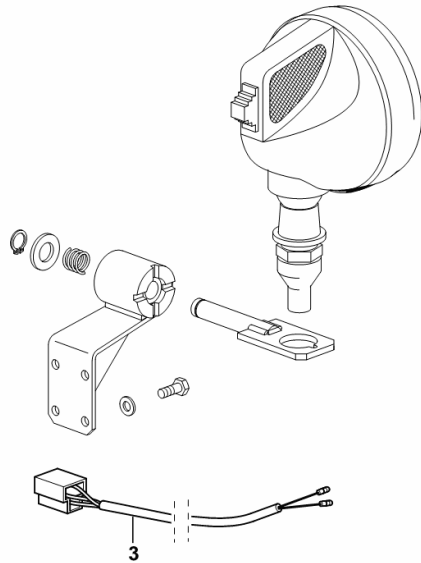
W9_53276_65_0-B-001

ELECTRIC CABLE FOR WORK LIGHT

Fig.	Code	QTY	Name
------	------	-----	------

Notes:
[AGROKID 45 DT -> 15001 4WD B]

3	0.008.0361.3	1	wire
---	--------------	---	------



W9_A4885_30_0-B-001

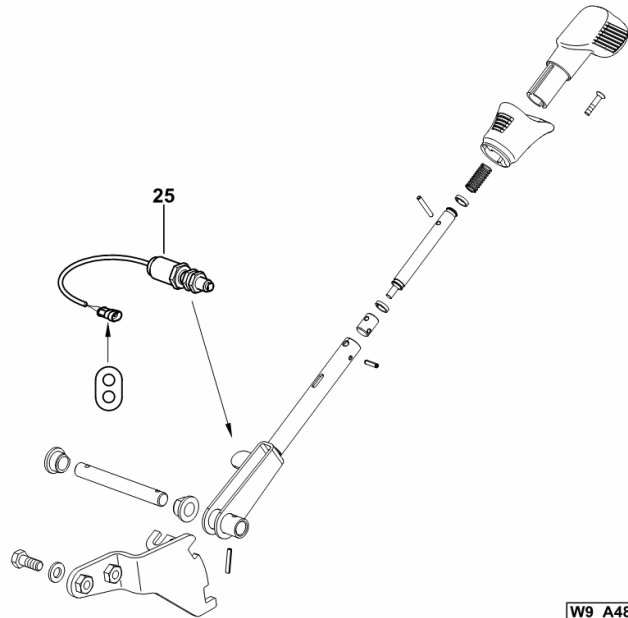
PTO CLUTCH CONTROL SWITCH

Fig.	Code	QTY	Name
------	------	-----	------

Notes:

[AGROKID 45 DT -> 15001 4WD B]

25	2.7659.254.0/10	1	switch
----	-----------------	---	--------



W9_A4884_00_0-E-001

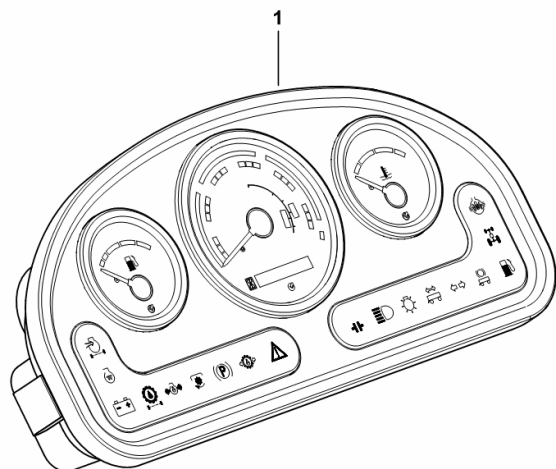
CHRONO-TACHOMETER

Fig.	Code	QTY	Name
------	------	-----	------

Notes:

[AGROKID 45 DT -> 15001 4WD B]

1	2.8339.230.0/70	1	instrument holder ☞ 2.8339.230.0/70
---	-----------------	---	--



W9_A4884_01_0-A-001

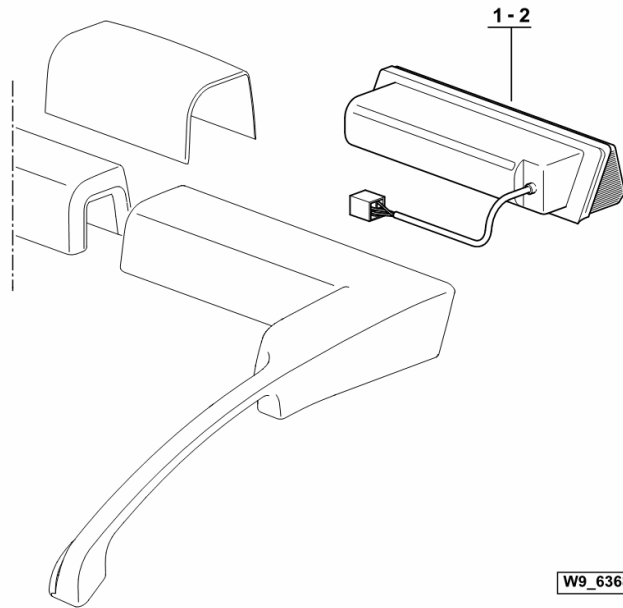
REAR LIGHTS

Fig.	Code	QTY	Name
------	------	-----	------

Notes:

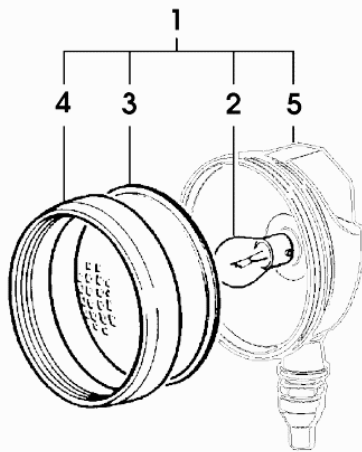
[AGROKID 45 DT -> 15001 4WD B]

1	2.8059.230.0	1	lamp sx/lh/li ☞ 2.8059.230.0
2	2.8059.240.0	1	lamp dx/rh/re ☞ 2.8059.240.0



HEADLAMP COMPONENTS

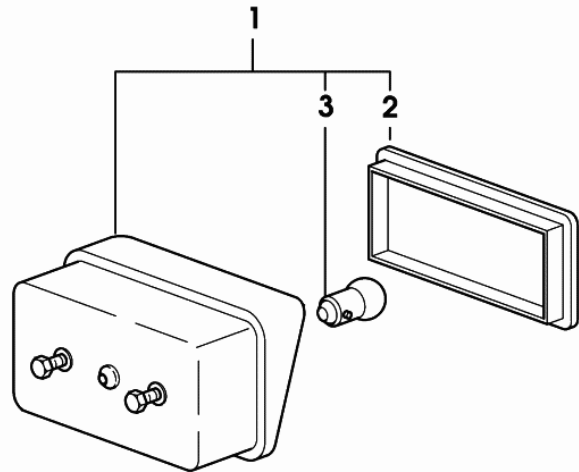
Fig.	Code	QTY	Name
1	2.8029.300.0	1	headlight
2	2.8210.004.0	1	lamp 12V-35W
3	2.8029.120.1	1	light body
4	2.8029.120.2	1	gasket
5	0.000.0000.1	0	not serviceable



2_8029_300_0

HEADLAMP COMPONENTS

Fig.	Code	QTY	Name
1	2.8059.450.0	1	lamp
2	0.010.3487.1	1	guard
3	0.010.3487.2	1	lamp 12V - 5W



2_8059_450_0

CLICK HERE TO **DOWNLOAD** THE COMPLETE MANUAL

- Thank you very much for reading the preview of the manual.
- You can download the complete manual from: www.heydownloads.com by clicking the link below



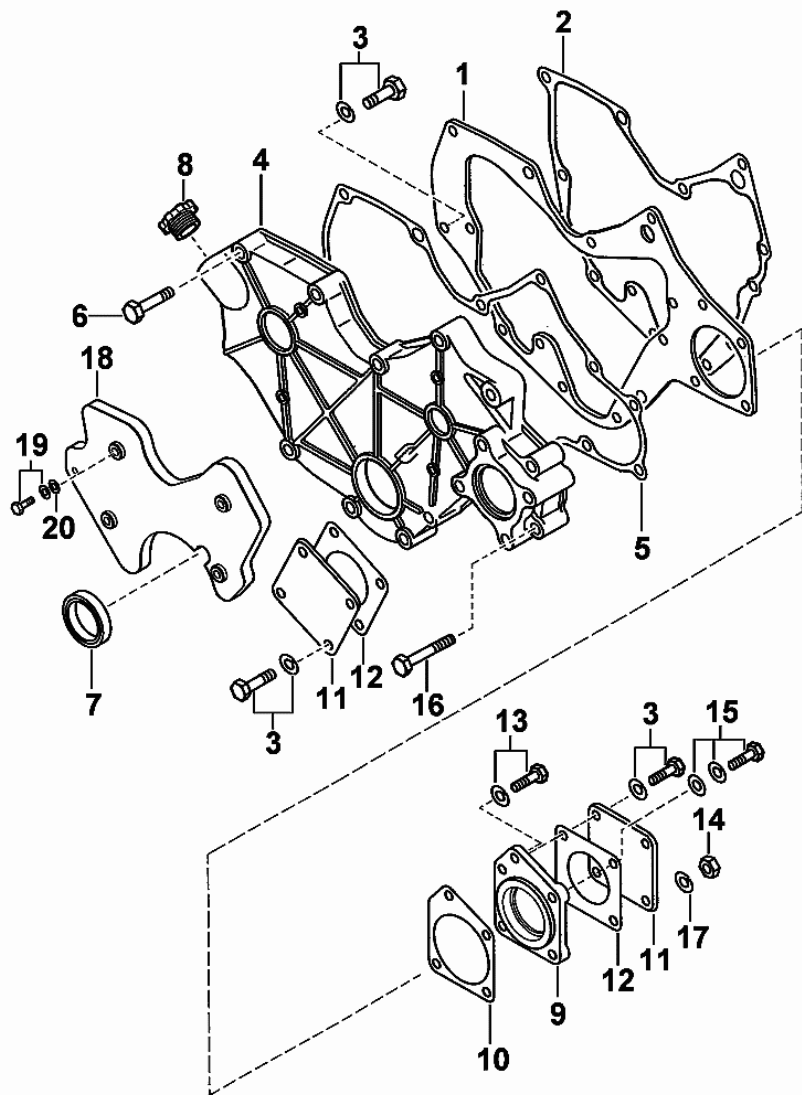
- Please note: If there is no response to CLICKING the link, please download this PDF first and then click on it.

CLICK HERE TO **DOWNLOAD** THE COMPLETE MANUAL

Section: B0 - ENGINE

TIMING CASE

Fig.	Code	QTY	Name
1	0.010.2658.0	1	plate
2	0.010.2658.1	1	gasket
3	0.010.2639.1	10	screw
4	0.010.3951.1	1	flange
5	0.010.2659.0	1	gasket
6	0.010.2659.1	8	screw
7	0.009.4537.0	1	gasket
8	0.010.3951.2	1	plug
9	0.010.2660.0	1	flange
10	0.010.2660.1	1	gasket
11	0.009.4756.0	2	cover
12	0.010.3952.0	2	gasket
13	0.010.2661.0	1	screw
14	0.010.2661.1	2	nut
15	0.010.3952.1	1	screw
16	0.010.3952.2	2	screw
17	0.009.4539.2	2	spring washer
18	0.010.3953.0	1	cover
19	0.010.2662.2	4	screw
20	0.010.2663.0	4	washer

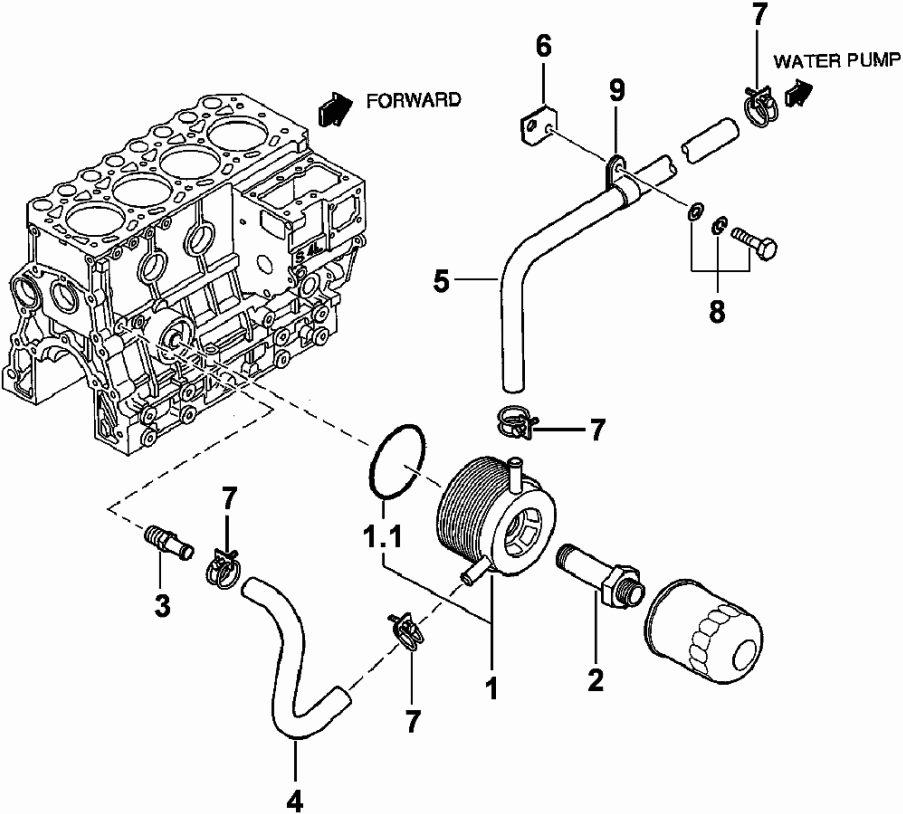


MIT_H36_013-A-001

01051-018

Section: B0 - ENGINE
LUBRIC. OIL COOLER

Fig.	Code	QTY	Name
1	0.010.2690.1	1	oil cooler
1.1	0.010.2690.2	1	'o' ring
2	0.010.2688.0	1	pipe fitting
3	0.010.2688.1	1	pipe fitting
4	0.010.2688.2	1	tube
5	0.010.2689.0	1	tube
6	0.010.3965.0	1	small plate
7	0.010.2689.2	4	clamp
8	0.010.2690.0	1	screw
9	0.010.2687.2	1	clamp



03041-001E 45CV

MIT_H36_029-A-001

Section: B0 - ENGINE
ALTERNATOR PARTS

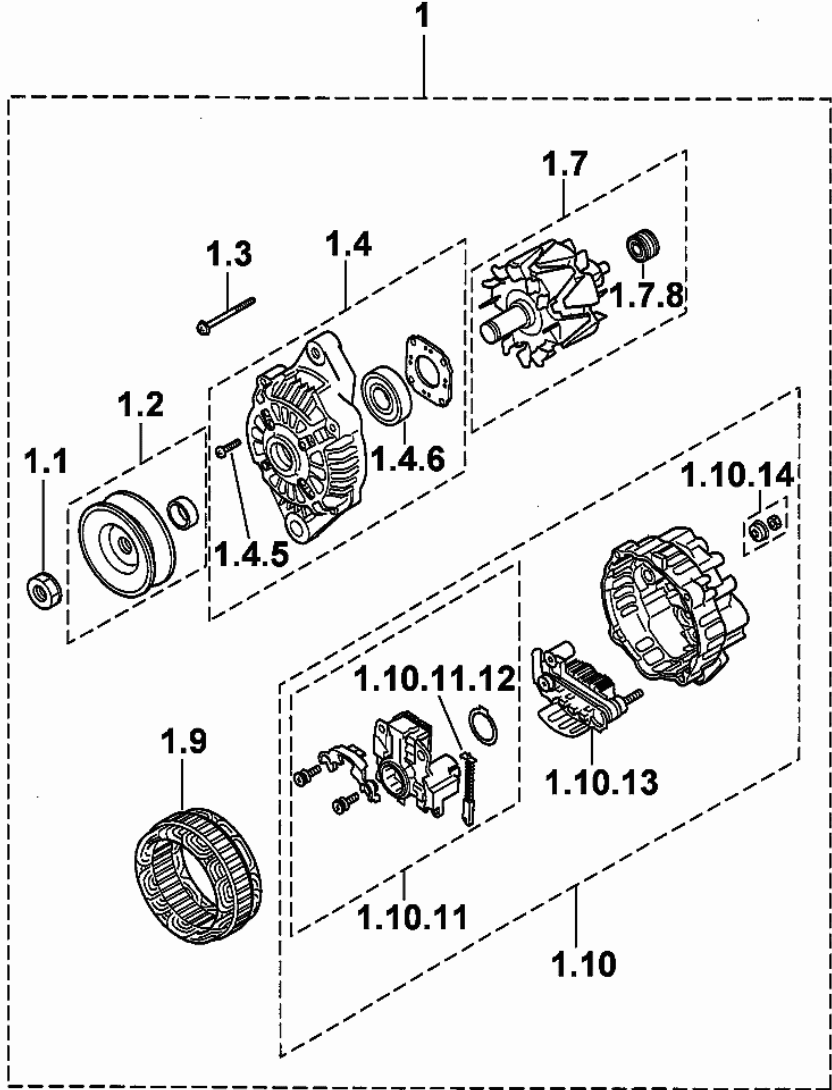


Fig.	Code	QTY	Name
1	0.010.2734.0	1	alternator 50A
1.1	0.010.2747.2	1	nut
1.2	0.010.2743.1	1	pulley
1.3	0.010.2743.2	1	screw
1.4	0.010.2744.0	1	support
1.4.5	0.010.2744.1	1	screw
1.4.6	0.010.2744.2	1	bearing
1.7	0.010.2745.0	1	rotor
1.7.8	0.010.2745.1	1	bearing
1.9	0.010.2745.2	1	field winding
1.10	0.010.2746.0	1	support
1.10.11	0.010.2746.1	1	regulator
1.10.11.12	0.010.2746.2	2	brush set
1.10.13	0.010.2747.0	1	rectifier
1.10.14	0.010.2747.1	1	nut

MIT_H36_046-A-001

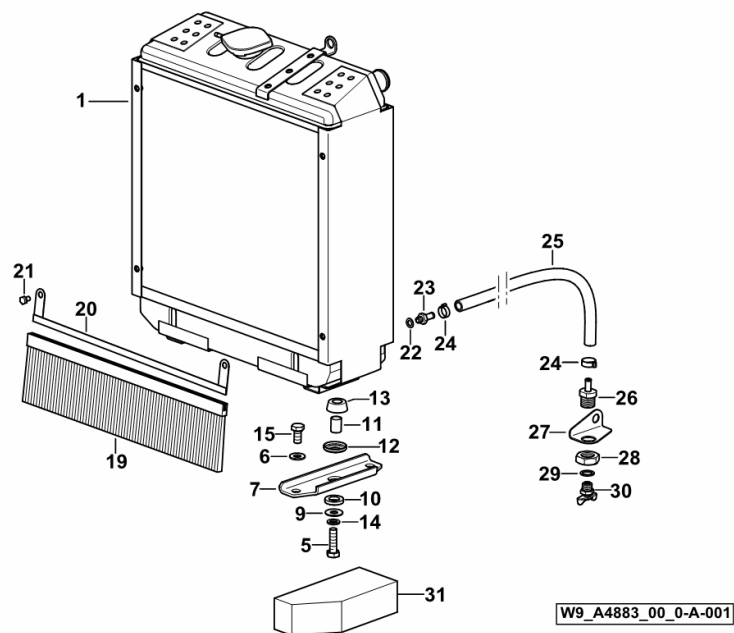
07030-033

WATER COOLER

Fig.	Code	QTY	Name
------	------	-----	------

Notes:

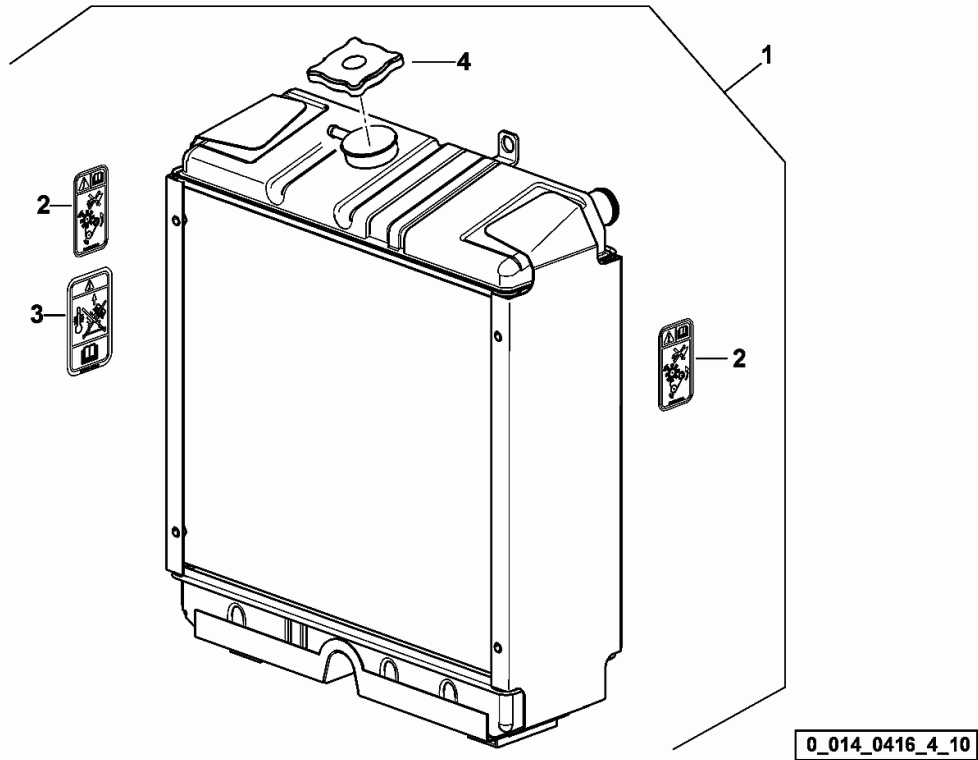
- FOR MODELS WITHOUT FRONT P.T.O. [AGROKID 45 DT -> 15001 4WD B] 15001 <- [AGROKID 45 DT -> 15001 4WD B]



1	0.013.6828.4/40	1	water cooler ☞ 0.013.6828.4/40
5	2.0112.313.2	2	screw m 10 p.1.5 x 35
6	2.1310.006.2	4	flat washer 10.5
7	0.013.2058.0	2	support
9	2.1599.044.2	2	snoulder 10.5x25.5x1.5
10	0.136.7387.0	2	rubber plug 15x27x5
11	2.1579.012.2/10	2	spacer 10.5X16X20
12	0.136.7384.0	2	cup
13	0.136.7385.0	2	rubber plug
14	2.1470.006.2	2	lock washer 10
15	2.0112.307.2	4	screw m 10 p.1.5 x 20
19	0.013.6896.0	1	bracket
20	0.013.7978.2	1	support
21	2.0112.002.2	2	screw m 6 p.1 x 10
22	2.1560.004.0	2	gasket 8.2 x 14
23	2.3249.516.2/10	2	pipe fitting M8 x 1
24	2.6857.023.0	4	clamp 16
25	0.011.0466.0	0.6	tube Ø mm 16x10
26	2.3339.913.2/10	2	pipe fitting M20 1/4 GAS
27	0.013.7980.0	2	bracket
28	2.1011.511.2	2	nut m 20 p.1.5
29	2.1560.010.0	2	gasket 14.2 x 20 x 1.5
30	0.049.1152.0	2	cock or tap
31	0.013.9086.0	2	gasket

WATER COOLER

Fig.	Code	QTY	Name
1	0.014.0416.4/10	1	radiator
2	2.9939.273.0	2	plate
3	2.9939.280.0	1	plate
4	0.900.0066.0	1	plug

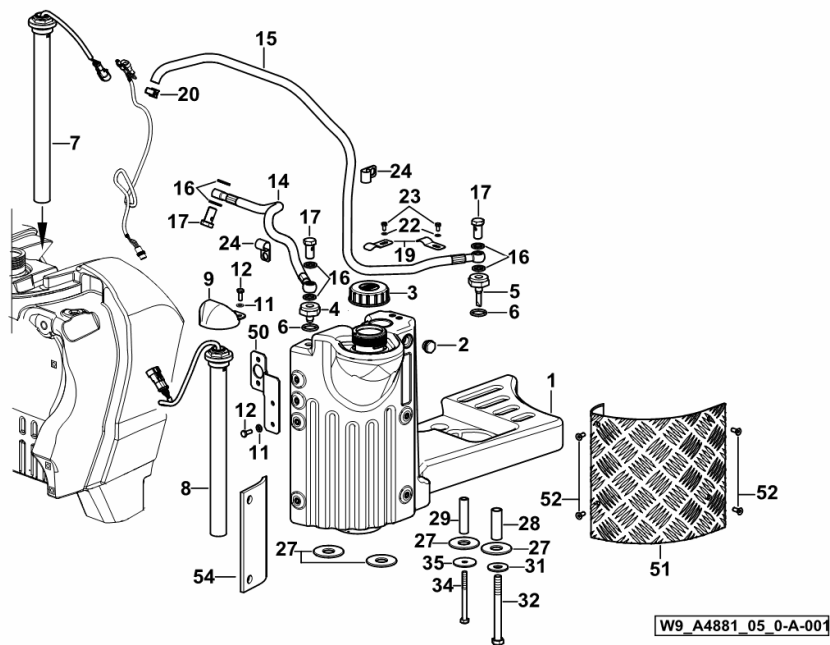


AUXILIARY TANK

Fig.	Code	QTY	Name
------	------	-----	------

Notes:

[AGROKID 45 DT -> 15001 4WD B]



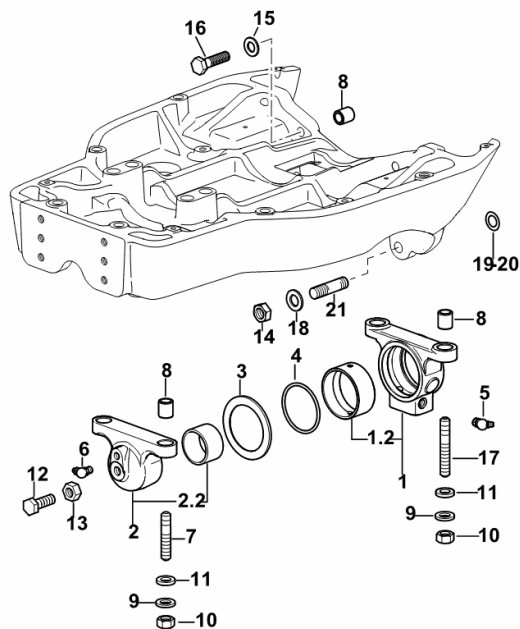
1	0.014.0009.4/10	1	fueltank
2	2.3199.234.0	1	plug 3/8
3	0.009.7687.3	1	plug
4	0.013.5377.0	1	pipe fitting
5	0.013.9767.3/10	1	pipe fitting
6	2.1530.056.0	2	'o' ring 21.82 x 3.53
7	2.7059.821.0	1	float level
8	2.7059.822.0	1	float level
9	0.014.2878.0	1	guard
11	2.1310.002.2	4	washer 6.6, d125
12	2.0114.005.2	4	screw m 6 p.1.0 x 16
14	0.013.9799.2/10	1	tube
15	0.013.9753.2/10	1	tube
16	2.1561.007.0	6	gasket 14,8x22.2
17	2.3332.004.1	3	pipe union m 14 p.1.5 x 27
19	0.013.9768.0	2	bracket
20	2.6851.018.0	1	clamp 11/17
22	2.1310.001.2	2	flat washer 5.3
23	2.0114.102.2	2	screw m 5x10
24	0.013.9808.0/10	2	clamp
27	0.013.9805.0	1	spacer 20x50x5
28	0.013.9778.0	1	tube 13x18x54
29	0.013.9776.0/10	1	tube 9x15x63.5
31	2.1312.006.2	1	washer 14.5
32	2.0112.431.2	1	screw m 12 p.1.75 x 110
34	2.0112.227.2	1	screw m 8 p.1.25 x 90
35	2.1599.616.2	1	washer
50	0.014.2875.3	1	bracket
51	0.014.2978.0/10	1	guard
52	2.0342.203.3	4	screw m 6 p.1.0 x 16
54	0.014.4594.0	1	shield

Section: F0 - FRONT AXLE
FRONT SUPPORT - FIXINGS

Fig.	Code	QTY	Name
------	------	-----	------

Notes:

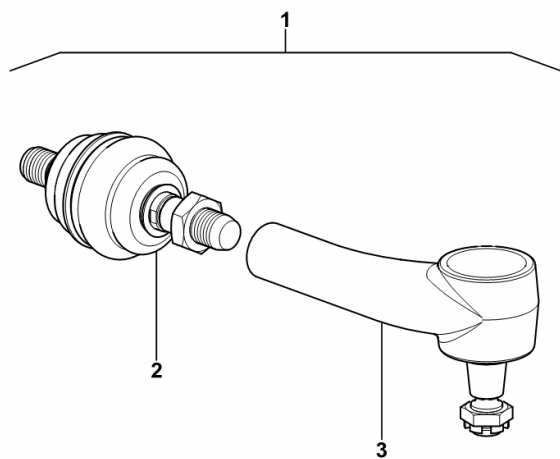
[AGROKID 45 DT -> 15001 4WD B]



1	0.008.6092.3/40	1	support group
1.2	2.1559.212.0	1	bushing
2	0.008.6090.3/10	1	front support
2.2	2.1559.211.0	1	bushing
3	2.1599.521.2	1	snoulder 60.5 x 82 x 3.5
4	2.1530.145.0	1	'o' ring 58.74x3.53
5	2.3821.103.2	1	lubricator m 10 p.1
6	2.3821.302.2	1	lubricator m 8 p.1 x 8
7	2.0432.263.2	2	stud bolt m 12 p.1.25x45
8	2.1559.210.0	6	bushing
9	2.1475.204.2	4	washer 12
10	2.1011.422.2	4	nut m 12 p.1.25
11	2.1599.144.2	4	snoulder 12.5x23x4
12	2.0129.057.2	1	screw m 12 p.1.25 x 35
13	2.1011.522.2	1	nut m 12 p.1.25
14	2.1011.408.2	4	nut m 14 p.1.5
15	2.1475.004.2	2	washer 12
16	2.0122.467.2	2	screw m 12 p.1,25x45
17	2.0432.267.2	2	stud bolt m 12 p.1.75-1.25x60
18	2.1475.005.2	4	washer 14
19	2.1589.487.0	1	shim 13x24x0.2
20	2.1589.488.0	1	shim 13x24x0.3
21	2.0439.265.2/10	4	stud bolt m 14 p.1.5x62

LINKAGE

Fig.	Code	QTY	Name
1	0.012.8957.4/10	1	rod sx/lh/li
2	0.010.3938.0	1	joint
3	0.010.3937.2	1	head



0_012_8957_4_10

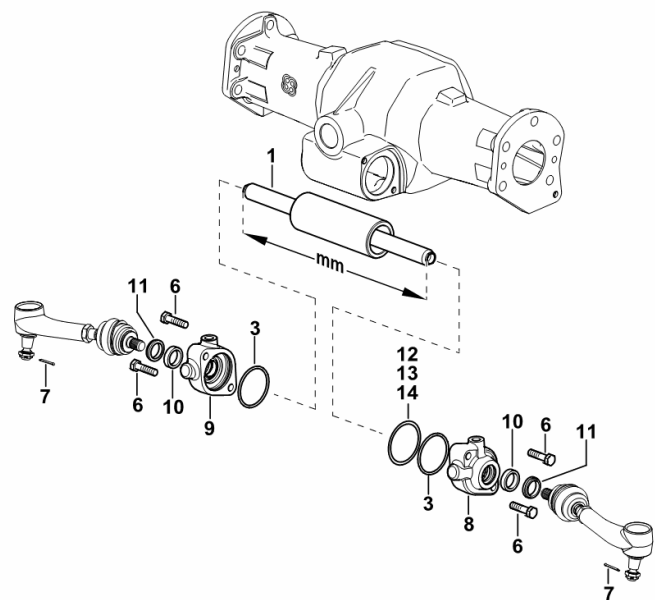
4WD - POWER STEERING CYLINDER

Fig.	Code	QTY	Name
------	------	-----	------

Notes:

[AGROKID 45 DT -> 15001 4WD B]

1	0.012.8878.4/10	1	cylinder mm 404 ☞ 0.012.8878.4/10
3	2.1530.145.0	4	'o' ring 58.74x3.53
6	2.0112.315.2	4	screw m 10 p.1.5 x 40
7	2.1690.310.2	2	split pin 3.2 x 25
8	0.008.7880.0/20	1	support sx/lh/li
9	0.008.7879.0/20	1	support dx/rh/re
10	2.1519.112.0	2	'o' ring 25x33x8
11	2.1519.111.0	2	'o' ring 25x33x7
12	2.1580.213.0	1	shim 60,5x70x0,15
13	2.1580.225.0	1	shim 60x71.5x0.2
14	2.1580.226.0	1	shim 60x71.5x0.5



W9_A4843_08_0-A-001

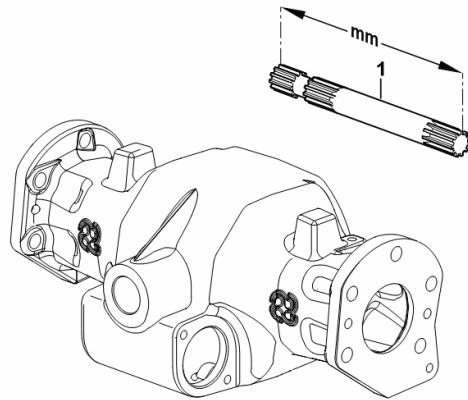
4WD - HALF-SHAFTS WITH DIFFERENTIAL LOCK

Fig.	Code	QTY	Name
------	------	-----	------

Notes:

- FOR NARROW TYPES [AGROKID 45 DT -> 15001 4WD B]

1	0.008.7767.0/10	1	half-shaft mm 250
---	-----------------	---	-------------------



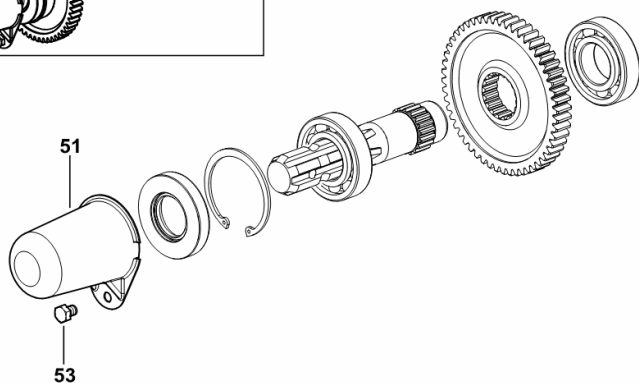
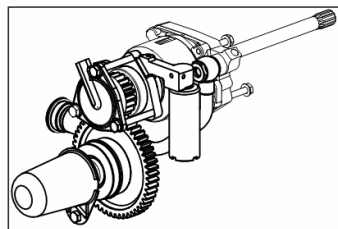
W9_53143_04_0-A-001

Section: M0 - FRONT PTO
P.T.O. SHAFT PROTECTOR FRONT

Fig.	Code	QTY	Name
------	------	-----	------

Notes:
 [AGROKID 45 DT -> 15001 4WD B]

51	0.002.7333.0	1	guard
53	2.0112.202.2	2	screw m 8 p.1.25 x 10



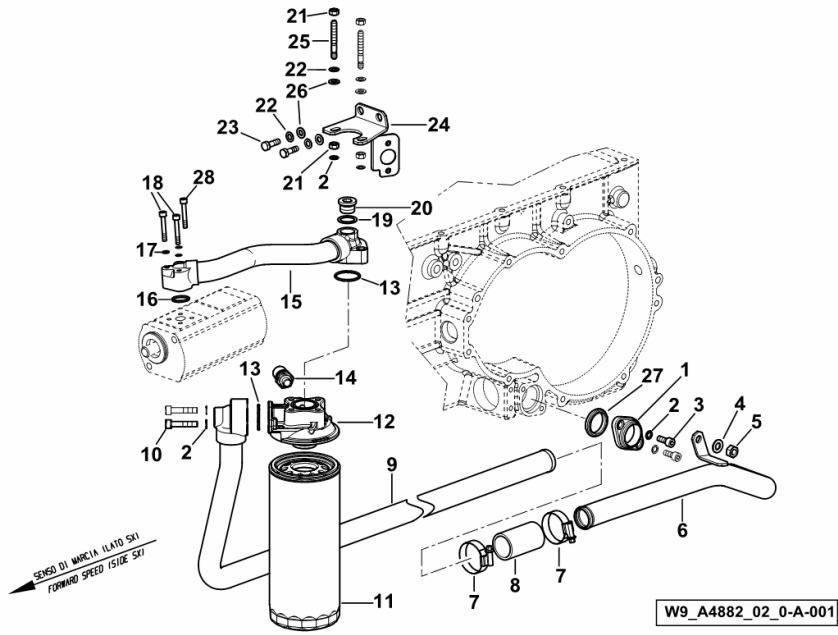
W9_A4959_85_0-C-001

PUMP FILTER SUCTION

Fig.	Code	QTY	Name
------	------	-----	------

Notes:

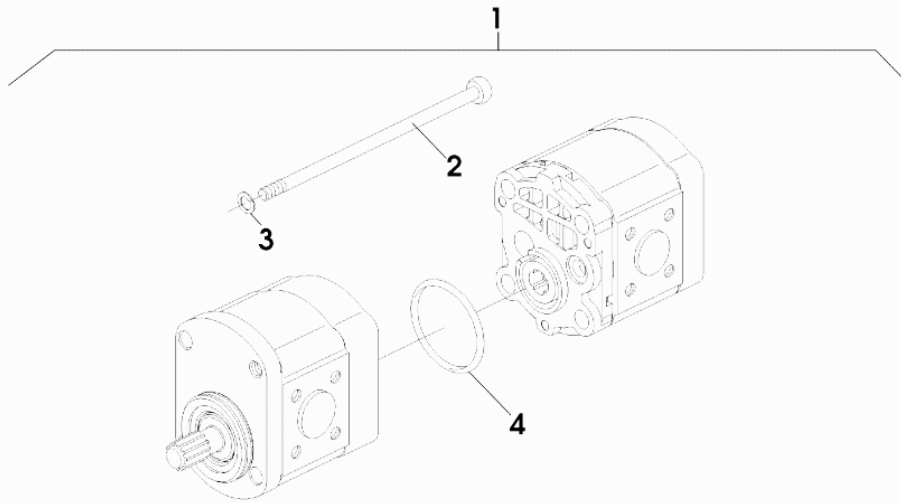
[AGROKID 45 DT -> 15001 4WD B] 15001 <-



1	0.009.7478.0	1	flange
2	2.1480.014.2	6	washer 8
3	2.0312.206.2	2	screw m 8 p 1.25 x 20
4	2.1475.003.2	1	washer 10
5	2.1011.421.2	1	nut m 10 p.1.25
6	0.009.7439.2	1	tube
7	2.6851.004.0	2	clamp Ø 32/50
8	2.3213.234.0	1	sleeve Ø 34, L 70
9	0.013.2776.3	1	tube
10	2.0312.214.2	2	screw m 8 p.1.25 x 40
11	2.4419.320.0/20	1	hydr.oil filter elem
12	2.4419.350.1/40	1	head
13	2.1531.091.0	2	'o' ring 34.60 x 2.62
14	2.7099.180.0/10	1	pressure switch
15	0.013.2781.3/10	1	tube
16	2.1531.058.0	1	'o' ring 22.22x2.62
17	2.1480.012.2	3	washer 6, d128
18	2.0312.115.2	2	screw m 6 p.1x45
19	2.1560.018.0	1	gasket 22.2 x 29
20	2.3120.002.4	1	plug m 22 x 1.5
21	2.1011.105.2	4	nut m 8 p.1.25
22	2.1470.004.2	4	washer 8
23	2.0112.209.2	2	screw m 8 p 1.25 x 25
24	0.013.2782.3/10	1	bracket
25	2.0422.215.7	2	stud bolt m 8 p.1.25 x 50
26	2.1310.004.2	4	flat washer 8.5
27	0.255.8255.0/60	1	ring 32.5x8.5x5.9
28	2.0312.114.2	1	screw m 6 p.1x40

HYDRAULIC PUMP 11+5.5 sx/lh/li bosch

Fig.	Code	QTY	Name
1	2.4539.884.0	1	hydraulic pump 11+5.5 sx/lh/li bosch
2	0.010.3909.1	2	screw
3	0.010.3145.0	2	spring washer
4	0.010.2601.2	1	'o' ring



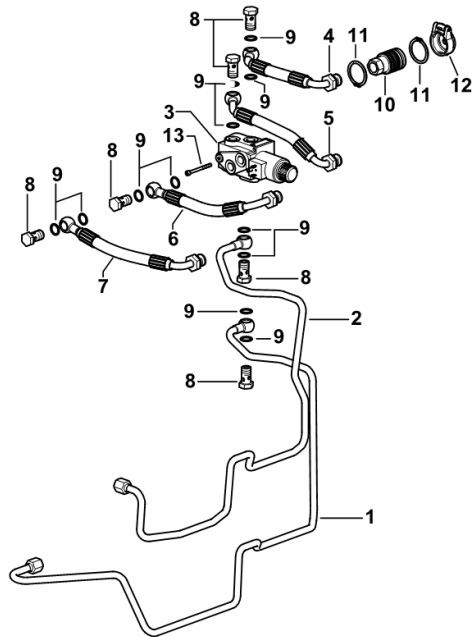
2_4539_884_0

6-WAY HIDRAULIC SYSTEM

Fig.	Code	QTY	Name
------	------	-----	------

Notes:

[AGROKID 45 DT -> 15001 4WD B]



W9_H3788_25_0-A-001

1	0.014.4822.3	1	tube
2	0.014.4824.3	1	tube
3	0.009.9020.4	1	switch
4	0.014.4838.3/10	1	tube
5	0.014.4839.3/10	1	tube
6	0.014.4840.3	1	tube
7	0.014.4841.3	1	tube
8	2.3339.063.2	6	pipe union 3/8" gas x 30
9	2.1560.053.0	12	gasket 17 x 21
10	0.98309.50.3/10	2	coupling 0.98309.50.3/10
11	2.1410.015.2	4	circlip 38
12	0.011.6981.0	2	plug 1/2"
13	2.0312.017.2	2	screw m 5 p.0.8x55

Agrokid 45 -> 15001

E0 - REAR AXLE

REAR AXLE

REAR AXLE.....	E0.01.0 (1)
REAR AXLE - STANDARD SEALS.....	E0.01.1 (1)
REAR AXLE - WATER PROOF SEALS.....	E0.01.2 (1)

REAR DIFFERENTIAL / HALF-SHAFTS

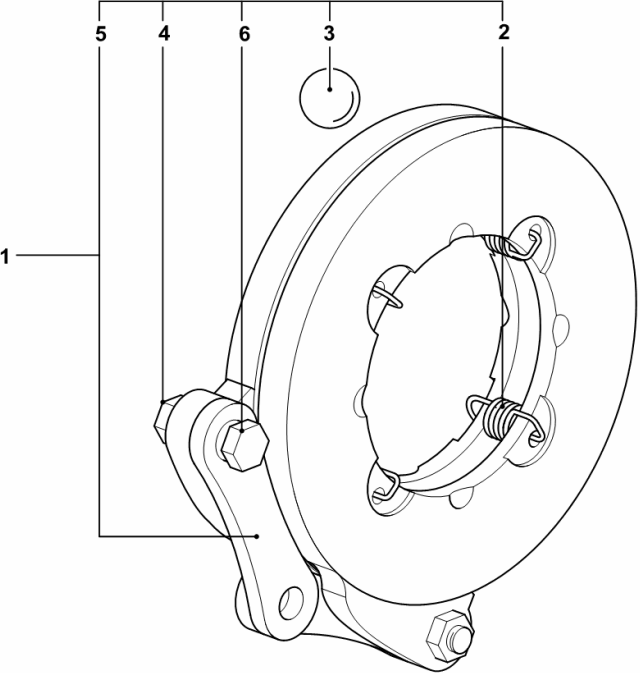
DIFFERENTIAL.....	E0.02.0 (1)
REDUCTION GEAR UNIT.....	E0.02.1 (1)
HALF AXLES A = mm 217.....	E0.02.2 (1)
HALF AXLES A = mm 277.....	E0.02.3 (1)

REAR BRAKES

REAR BRAKES.....	E0.03.0 (1)
BRAKES TITAN ITALIA.....	0.011.3169.4.A
BRAKES URSUS.....	0.012.4930.4.A

Section: E0 - REAR AXLE
BRAKES URSUS

Fig.	Code	QTY	Name
1	0.012.4930.4	1	brake disc URSUS
2	0.900.0376.8	4	spring
3	0.900.0376.9	4	ball 3/4"
4	0.900.0377.0	2	nut 5/16"
5	0.900.0377.1	2	stay
6	0.900.0377.2	2	screw

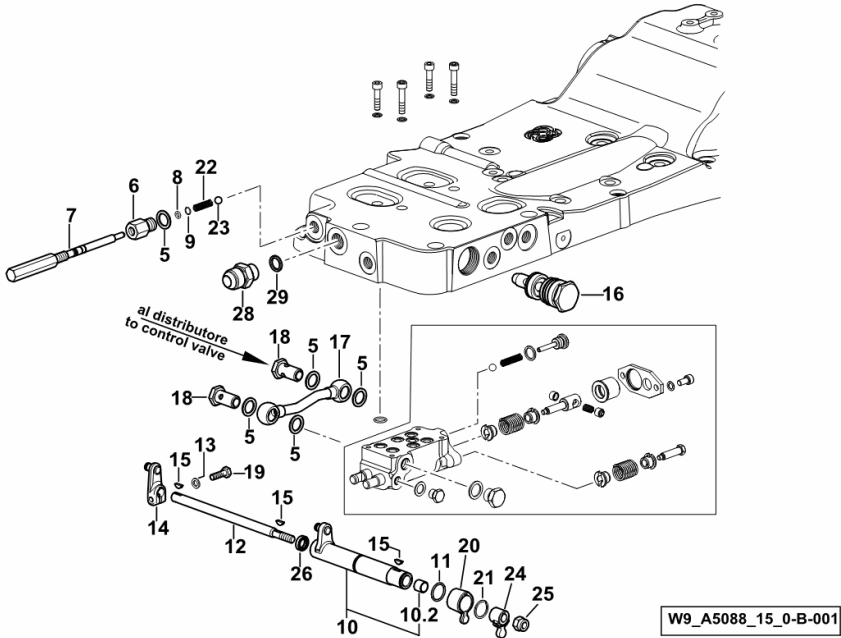


Section: R0 - REAR LIFT

CONTROLS FOR 4-WAY AUXILIARY SERVICES CONTROL VALVE

Fig.	Code	QTY	Name
------	------	-----	------

Notes:
[AGROKID 45 DT -> 15001 4WD B]



5	2.1560.010.0	5	gasket 14.2 x 20 x 1.5
6	2.3199.237.2/10	1	plug
7	0.010.4495.0/10	1	screw
8	2.1531.007.0	1	'o' ring 4.48x1.78
9	2.1420.002.0	1	circlip a 8
10	0.014.0202.3/10	1	shaft
10.2	2.1555.005.0	2	bushing 10x12x10
11	2.1531.044.0	1	'o' ring 17.17x1.78
12	0.013.3268.0/10	1	shaft
13	2.1470.002.2	1	washer 6, d128
14	0.009.2579.3	1	lever
15	2.1720.002.0	3	key
16	0.009.2954.4/10	1	valve
17	0.014.3663.3	1	tube
18	2.3335.006.2	2	pipe union m 14 p.1.5x24
19	2.0112.007.2	1	screw m 6 p.1 x 20
20	0.014.0260.0/10	1	lever
21	2.1422.014.7	1	circlip
22	2.4019.258.1	1	spring 7.8x25.5x0.9
23	2.2810.005.0	1	ball mm 8.731
24	0.013.5188.2/10	1	lever
25	2.1120.005.2	1	nut m 8 p.1.25
26	2.1529.165.0	1	'o' ring 10 x 16
28	2.3261.010.2	1	pipe fitting m 18 p.1.5 - 7/8" 14
29	2.1560.014.0	1	gasket 18.2 x 24 x 1.5

P.T.O. - WITH N° 540 - 750.....	D0.14.4 (1)
P.T.O. - WITH N° 540 - 1000.....	D0.14.5 (1)
PTO PACKAGE WITHOUT GROUNDSPEED.....	D0.14.6 (1)
P.T.O. - SYNCHRONIZED.....	D0.14.7 (1)
P.T.O. - SYNCHRONIZED 540 - 750.....	D0.14.8 (1)
P.T.O. - SYNCHRONIZED 540 - 1000.....	D0.14.9 (1)
PTO - PARTS SET WITH STANDARD SEALS.....	D0.14.10 (1)
PTO - PARTS SET WITH WATER PROOF SEALS.....	D0.14.11 (1)
P.T.O. SHAFT PROTECTOR REAR.....	D0.14.12 (1)
P.T.O. SHAFT PROTECTOR REAR.....	D0.14.13 (1)
4WD ENGAGEMENT POWER TAKE-OFF - 4WD PARKING BRAKE	
4WD - ENGAGEMENT CONTROL.....	D0.15.0 (1)
COMPLETION.....	D0.15.1 (1)
COMPLETION.....	D0.15.2 (1)
PTO PACKAGE WITHOUT GROUNDSPEED.....	D0.15.3 (1)
MID POWER TAKE-OFF	
MID PTO - STANDARD OIL SEAL.....	D0.18.0 (1)
MID PTO - WATERPROOF OIL SEAL.....	D0.18.1 (1)
CENTRAL P.T.O.....	D0.18.2 (1)
CENTRAL P.T.O. + SYNCRO.....	D0.18.3 (1)

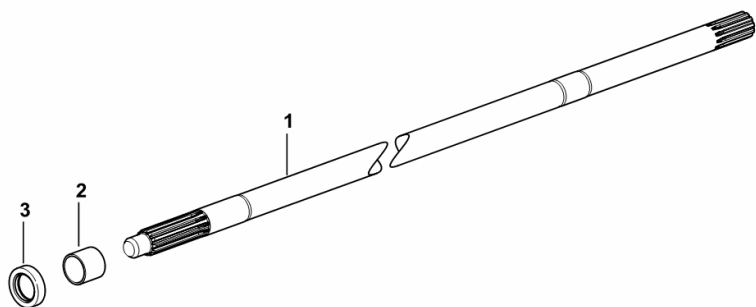
P.T.O. - CLUTCH TRANSMISSION SHAFT

Fig.	Code	QTY	Name
------	------	-----	------

Notes:

[AGROKID 45 DT -> 15001 4WD B]

1	0.014.0220.0	1	shaft mm 1071
2	2.1555.311.0	1	bushing 20x23x20
3	2.1520.006.0	1	oil seal 20 x 30 x 7



W9_A4825_02_0-A-001

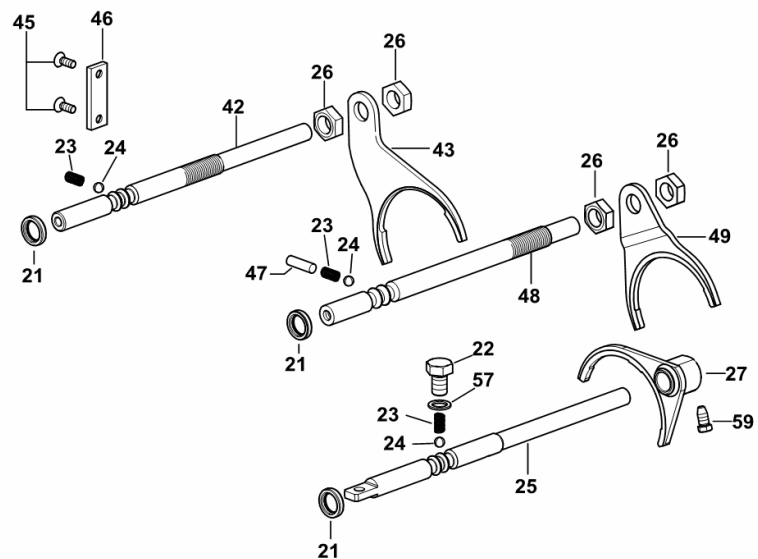
INTERNAL CONTROLS

Fig.	Code	QTY	Name
------	------	-----	------

Notes:

12+12 [AGROKID 45 DT -> 15001 4WD B]

21	2.1519.078.0	3	'o' ring 16 x 24 x 6
22	2.0399.155.0/10	1	screw m 12 p.1.25
23	2.4019.478.0/10	3	spring 6.7x7.9
24	2.2810.004.0	3	ball 5/16"
25	0.008.7252.0/10	1	rod av-rm
26	2.1019.131.0	4	nut
27	0.008.7997.2	1	fork av-rm
42	0.011.4941.0	1	rod 1 - 2
43	0.008.7255.0/30	1	fork 1 - 2
45	2.0342.203.3	2	screw m 6 p.1.0 x 16
46	0.008.6274.0/10	1	small plate
47	2.1699.305.0	1	pin 8x27
48	0.011.4942.0	1	rod 3 - 4
49	0.008.6269.0/30	1	fork 3 - 4
57	2.1560.008.0	1	gasket 12.2 x 18
59	2.0399.019.1	1	screw m 8 p.1 x 16



W9_A4833_01_0-D-001

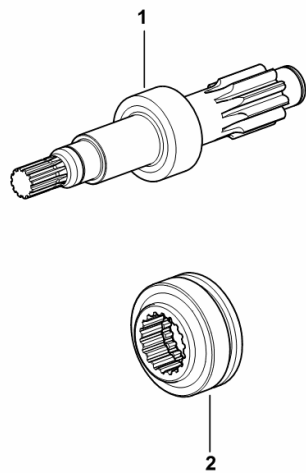
P.T.O. - WITH N' 540

Fig.	Code	QTY	Name
------	------	-----	------

Notes:

[AGROKID 45 DT -> 15001 4WD B]

1	0.014.0235.0	1	shaft
2	0.014.0218.0	1	sleeve



W9_A4836_06_0-A-001

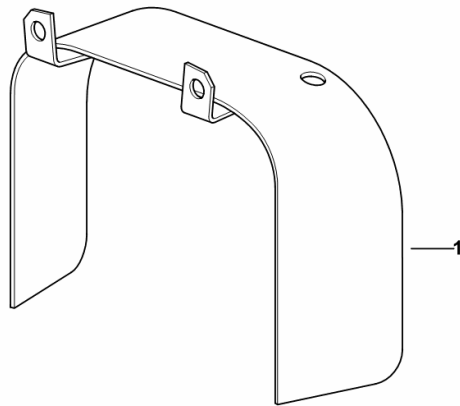
P.T.O. SHAFT PROTECTOR REAR

Fig.	Code	QTY	Name
------	------	-----	------

Notes:

- WITH FOLD-DOWN ROPS [AGROKID 45 DT -> 15001 4WD B]

1	0.010.9681.3	1	sump P.T.O.
---	--------------	---	-------------



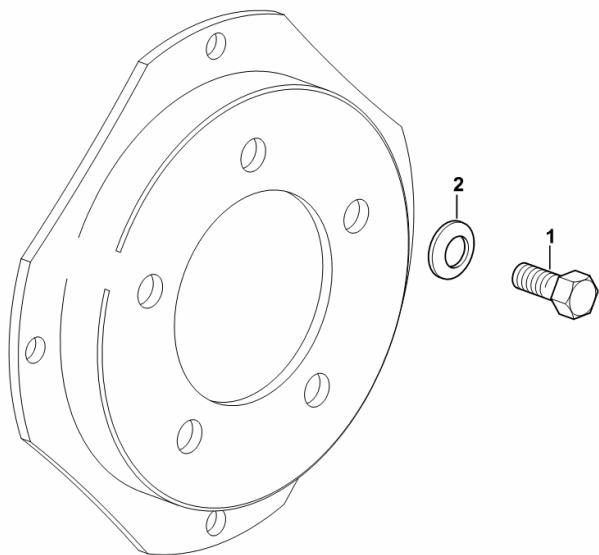
W9_56036_20_0-A-001

Section: S0 - WHEELS
FRONT WHEEL MOUNTING

Fig.	Code	QTY	Name
------	------	-----	------

Notes:
 [AGROKID 45 DT -> 15001 4WD B]

1	2.0122.511.6	10	screw m 14 p.1.5x30
2	2.1475.105.6	10	conical washer 15 x 27



W9_53155_02_0-A-001

CLICK HERE TO **DOWNLOAD** THE COMPLETE MANUAL

- Thank you very much for reading the preview of the manual.
- You can download the complete manual from: www.heydownloads.com by clicking the link below



- Please note: If there is no response to CLICKING the link, please download this PDF first and then click on it.

CLICK HERE TO **DOWNLOAD** THE COMPLETE MANUAL